



7750 Service Router 7950 Extensible Routing System

Releases up to 24.10.R2

Segment Routing and PCE Advanced Configuration Guide for Classic CLI

3HE 20804 AAAC TQZZA
Edition: 01
March 2025

Nokia is committed to diversity and inclusion. We are continuously reviewing our customer documentation and consulting with standards bodies to ensure that terminology is inclusive and aligned with the industry. Our future customer documentation will be updated accordingly.

This document includes Nokia proprietary and confidential information, which may not be distributed or disclosed to any third parties without the prior written consent of Nokia.

This document is intended for use by Nokia's customers ("You"/"Your") in connection with a product purchased or licensed from any company within Nokia Group of Companies. Use this document as agreed. You agree to notify Nokia of any errors you may find in this document; however, should you elect to use this document for any purpose(s) for which it is not intended, You understand and warrant that any determinations You may make or actions You may take will be based upon Your independent judgment and analysis of the content of this document.

Nokia reserves the right to make changes to this document without notice. At all times, the controlling version is the one available on Nokia's site.

No part of this document may be modified.

NO WARRANTY OF ANY KIND, EITHER EXPRESS OR IMPLIED, INCLUDING BUT NOT LIMITED TO ANY WARRANTY OF AVAILABILITY, ACCURACY, RELIABILITY, TITLE, NON-INFRINGEMENT, MERCHANTABILITY OR FITNESS FOR A PARTICULAR PURPOSE, IS MADE IN RELATION TO THE CONTENT OF THIS DOCUMENT. IN NO EVENT WILL NOKIA BE LIABLE FOR ANY DAMAGES, INCLUDING BUT NOT LIMITED TO SPECIAL, DIRECT, INDIRECT, INCIDENTAL OR CONSEQUENTIAL OR ANY LOSSES, SUCH AS BUT NOT LIMITED TO LOSS OF PROFIT, REVENUE, BUSINESS INTERRUPTION, BUSINESS OPPORTUNITY OR DATA THAT MAY ARISE FROM THE USE OF THIS DOCUMENT OR THE INFORMATION IN IT, EVEN IN THE CASE OF ERRORS IN OR OMISSIONS FROM THIS DOCUMENT OR ITS CONTENT.

Copyright and trademark: Nokia is a registered trademark of Nokia Corporation. Other product names mentioned in this document may be trademarks of their respective owners.

© 2025 Nokia.

Table of contents

List of tables.....	4
List of figures.....	5
Preface.....	9
BGP Segment Routing Using the Prefix SID Attribute.....	10
BGP Signaled Segment Routing Policy.....	23
Flexible SR-TE Label Stack Allocation for BGP Services.....	46
Inter-AS Model C VPRN Using MPLS Forwarding Policies and Segment Routing Policies.....	68
Parallel Adjacency Sets in Segment Routing.....	88
PCEP Support for RSVP-TE LSPs.....	104
Seamless BFD for SR-TE LSPs.....	126
Segment Routing – Traffic Engineered Tunnels.....	148
Segment Routing over IPv6.....	166
Segment Routing over IPv6 for VPRN.....	194
Segment Routing with IS-IS Control Plane.....	216
SR-TE LSP Path Computation Using Local CSPF.....	242
SRv6 Encapsulation in the Base Routing Instance.....	271
SRv6 Loop-Free Alternate.....	303
SRv6 Policy Support for Layer 2 and Layer 3 Services.....	339

List of tables

Table 1: Use of CO bits.....	31
Table 2: Default egress label stack limits for BGP services.....	47
Table 3: Dynamic egress label stack limits for BGP services.....	48
Table 4: RFC 7880 S-BFD terms.....	128
Table 5: SRv6 shortest path routing.....	166
Table 6: SRv6 source routing.....	167
Table 7: SRv6 endpoint behaviors supported in SR OS Release 21.10.R1.....	168
Table 8: Mode comparison.....	219

List of figures

Figure 1: BGP-LU IPv4 route with prefix SID BGP path attribute.....	11
Figure 2: BGP signaling overview.....	11
Figure 3: Example topology.....	13
Figure 4: Example topology with VPRN 1.....	20
Figure 5: SR TE policy NLRI.....	24
Figure 6: Binding SID (BSID) anchor.....	25
Figure 7: Example topology.....	27
Figure 8: Example topology.....	50
Figure 9: Inter-AS VPRN Model C using MPLS forwarding policy and SR policies.....	70
Figure 10: Example topology.....	71
Figure 11: Inter-AS VPRN using MPLS forwarding policy and SR policies: Traffic to PE-7.....	75
Figure 12: Inter-AS VPRN using MPLS forwarding policy and SR policies: Traffic to PE-1.....	78
Figure 13: Parallel and non-parallel adjacency sets.....	89
Figure 14: Parallel adjacency set.....	89
Figure 15: MPLS label stack.....	100
Figure 16: Network Services Platform Block Diagram.....	105
Figure 17: Example Topology.....	106
Figure 18: RSVP-TE LSP with Strict Hops.....	112
Figure 19: Admin Groups.....	117
Figure 20: Diverse Primary and Secondary Paths.....	124
Figure 21: Classical BFD handshake.....	127

Figure 22: Relationship between S-BFD terms.....	129
Figure 23: S-BFD session establishment - continuity check.....	130
Figure 24: Example topology.....	131
Figure 25: Failure on remote link in primary path.....	137
Figure 26: Segment routing network schematic.....	149
Figure 27: Node and adjacency SIDs.....	153
Figure 28: PCC computed strict path between PCC-1 and PCC-2.....	154
Figure 29: PCC computed LSP hop-to-label translation.....	156
Figure 30: SR-TE LSP with loose path.....	157
Figure 31: VPRN service schematic.....	160
Figure 32: Epipe service schematic.....	162
Figure 33: SRv6 SID encoding.....	167
Figure 34: SRv6 SID encoding example.....	169
Figure 35: End SID for PE-1.....	170
Figure 36: End.X SID for PE-1.....	170
Figure 37: IPv6 header defined in RFC 8200.....	171
Figure 38: Position of the SRH in the protocol stack.....	171
Figure 39: SRH defined in RFC 8754.....	171
Figure 40: SRv6 node types.....	172
Figure 41: Data forwarding of SRv6 encapsulated packets using SRv6 SIDs.....	173
Figure 42: USP mode - egress router PE-1 processes and removes SRH.....	175
Figure 43: Penultimate SRH hop P-2 processes and removes the SRH.....	176
Figure 44: Example topology.....	177

Figure 45: SRv6 router locator prefixes.....	179
Figure 46: SRv6 End SID on PE-1.....	182
Figure 47: SRv6 End.X SIDs on PE-2.....	184
Figure 48: Example topology.....	195
Figure 49: Example topology.....	217
Figure 50: RLFA traffic path during protection.....	233
Figure 51: Example topology.....	244
Figure 52: Empty path from PE-2 to PE-11.....	249
Figure 53: Path from PE-2 to PE-11 via strict hops P-4 and P-3.....	253
Figure 54: Path from PE-2 to PE-11 via loose hops P-3 and P-9.....	257
Figure 55: Loose path from PE-2 to PE-11 including unprotected link.....	267
Figure 56: Loose path from PE-2 to PE-11 including only protected links.....	269
Figure 57: Example topology.....	272
Figure 58: Example topology.....	304
Figure 59: Example topology with metric 21 between PE-2 and P-5.....	318
Figure 60: Example topology with metric 21 between P-3 and P-5.....	328
Figure 61: Example topology with system IP addresses.....	341
Figure 62: Example topology with classic locator prefixes.....	342
Figure 63: Example topology with micro-segment node SIDs.....	344
Figure 64: EVPN VPWS using SRv6 policy with color 100 from PE-1 to PE-6.....	349
Figure 65: EVPN VPWS using SRv6 policy with color 200 from PE-6 to PE-1.....	359
Figure 66: EVPN VPLS using SRv6 policy with color 300 from PE-1 to PE-6.....	366
Figure 67: EVPN VPLS using SRv6 policy with color 400 from PE-6 to PE-1.....	372

Figure 68: EVPN IFL using SRv6 policy with color 500 from PE-1 to PE-6.....	376
Figure 69: IP VPN using SRv6 policy with color 600 from PE-1 to PE-6.....	382

Preface

About This Guide

Each Advanced Configuration Guide is organized alphabetically and provides feature and configuration explanations, CLI descriptions, and overall solutions. The Advanced Configuration Guide chapters are written for and based on several Releases, up to 24.10.R2. The Applicability section in each chapter specifies on which release the configuration is based.

The Advanced Configuration Guides supplement the user configuration guides listed in the *7450 ESS*, *7750 SR*, and *7950 XRS Guide to Documentation*.

Audience

This manual is intended for network administrators who are responsible for configuring the routers. It is assumed that the network administrators have a detailed understanding of networking principles and configurations.

BGP Segment Routing Using the Prefix SID Attribute

This chapter describes BGP Segment Routing using the prefix SID attribute.

Topics in this chapter include:

- [Applicability](#)
- [Overview](#)
- [Configuration](#)
- [Conclusion](#)

Applicability

The information and configuration in this chapter are based on SR OS Release 23.3.R1. BGP Segment Routing (SR) is supported in SR OS Release 19.10.R1, and later.

Overview

Segment Routing (SR) has become a foundational technology for Software-Defined Networking (SDN) in Wide Area Networks (WANs). Also, SR is being extended beyond WAN borders into Data Centers (DCs).

SR allows an ingress node to route a packet from the source, by prepending an SR header containing an ordered list of segment identifiers (SIDs). A SID represents a topological or service-based instruction. A SID can have a local meaning for one specific node, or a global meaning within the SR domain, such as the instruction to forward a packet on the Equal-Cost Multipath (ECMP) aware shortest path to reach some prefix.

In WAN networks, infrastructure IP reachability is nearly always conveyed by an IGP protocol, such as OSPF and IS-IS, but in large-scale DCs, BGP has become the protocol of choice. In a typical DC design, BGP is used for endpoint reachability, as follows:

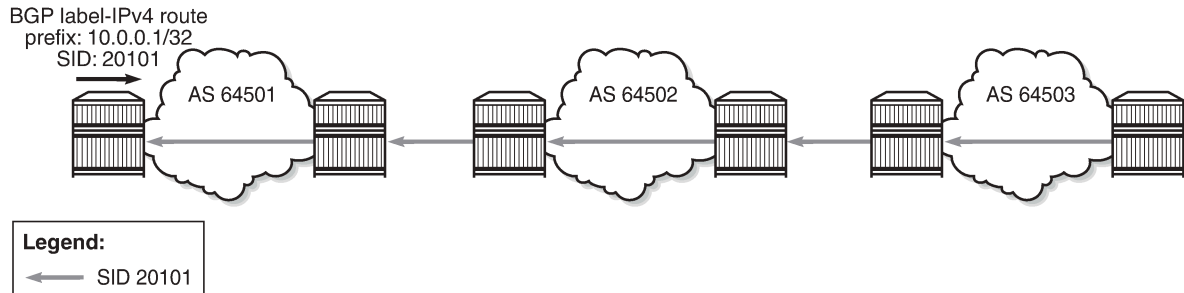
- Each node (Top of Rack (TOR), leaf, spine, and so on) has its own Autonomous System (AS).
- Each node has an eBGP session to each of its directly connected peers.
- Each node originates the IPv4 (or IPv6) address of its loopback interface into BGP and announces it to its neighbors.

To extend SR-MPLS into DCs that use this type of BGP design, the SR OS nodes must advertise their loopback IP prefix in a BGP labeled-unicast (BGP-LU) IPv4 route with a prefix SID attribute. The prefix SID attribute is ignored when attached to other types of BGP routes, including BGP-LU IPv6 routes, but it is still be propagated.

A BGP prefix SID is always a global SID within the SR domain and identifies an instruction to forward the packet along the ECMP-aware BGP-computed best paths to reach the prefix. The BGP prefix SID attribute can also help to create SR paths that transit across multiple administrative domains that do not share IGP SR topology information.

Figure 1: BGP-LU IPv4 route with prefix SID BGP path attribute shows a node in AS 64501 advertising a BGP-LU IPv4 route for prefix 10.0.0.1/32 with SID 20101. The SR-capable nodes forward packets with SID 20101 via the best BGP path to 10.0.0.1, using any of the available multipaths computed by BGP.

Figure 1: BGP-LU IPv4 route with prefix SID BGP path attribute



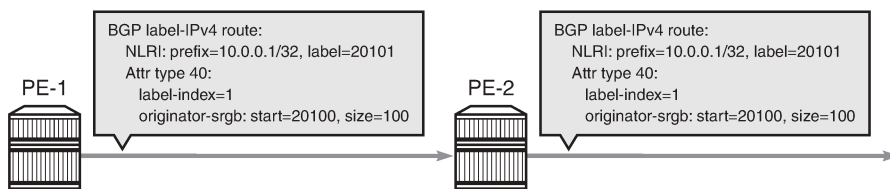
35886

The BGP prefix SID attribute with type code 40 is an optional and transitive BGP path attribute, meaning that the attribute is expected to be propagated by routers that do not recognize the type value. When SR is deployed using an MPLS dataplane (SR-MPLS), the BGP prefix SID encodes:

- A 32-bit label-index Type-Length-Value (TLV) (mandatory TLV)
- An originator Segment Routing Global Block (SRGB) TLV containing one or more SRGB fields (optional TLV). If the SRGB field occurs multiple times in the SRGB TLV, the SRGB space of the ingress node consists of multiple ranges that are concatenated.

Figure 2: BGP signaling overview shows that node PE-1 exports a BGP-LU IPv4 route with prefix 10.0.0.1/32 and label 20101. The BGP prefix SID attribute is attribute type 40 and contains an SR label index of 1 and the originator SRGB with start label 20100 and size 100 (from 20100 to 20199). Node PE-2 imports the BGP-LU IPv4 route and exports it to the next node.

Figure 2: BGP signaling overview



35887

To add, replace, or process a BGP prefix SID, SR must be administratively enabled in the **bgp** context. The BGP prefix SID range can be set to either **global** (that is, equal to the SRGB also used by SR-OSPF or SR-ISIS and defined in the **router mpls-labels sr-labels** context) or a subset of the SRGB defined by the **start-label** command in combination with **max-index**. All BGP prefix SID values must reside within the global SRGB or the **start-label** command fails. The **prefix-sid-range** is a mandatory requirement.

To originate BGP SR prefixes, two policies are required with an **sr-label-index** action, which may or may not be identical:

- **route-table-import <policy>** used to populate a local BGP-SR table with an SR label index
- **export <policy>** to advertise a prefix to a neighbor with an SR label index

In the example topology used in this chapter, the import and export policies are identical and have **action** entry **accept sr-label-index 1**, so on PE-1, the prefix SID for the prefix 10.0.0.1/32 equals 20101, which is the sum of the start label for the prefix SID range 20100 and the SR label index 1.

A unique label index value must be assigned to each different IPv4 prefix that is advertised with a BGP prefix SID. However, in case of a conflict with another SR-programmed Label Forwarding Instance Base (LFIB) entry, the conflict situation is addressed as follows:

- If the conflict is with another BGP-LU IPv4 route for a different prefix with a prefix SID attribute, all the conflicting BGP-LU IPv4 routes for both prefixes are advertised with normal BGP-LU labels from the dynamic label range, not from the dedicated SR label range.
- If the conflict is with an IGP route and the route-table-import policy action does not contain the **prefer-igp** in the **sr-label-index** command, the BGP-LU IPv4 route loses to the IGP route and is advertised with a normal BGP-LU label from the dynamic SR label range.
- If the conflict is with an IGP route and the route-table-import policy action contains the **prefer-igp** in the **sr-label-index** command, this is not considered a conflict and BGP uses the IGP-signaled label index to derive its advertised label. This stitches the BGP SR tunnel to the IGP SR tunnel.

Stitching of SR-ISIS or SR-OSPF to SR-BGP is one of the main advantages of implementing SR-BGP.

Any /32 BGP-LU IPv4 route containing a prefix SID attribute is resolvable and usable in the same way as /32 BGP-LU IPv4 routes without prefix SID attribute. The routes can be installed in the route table and tunnel table, have ECMP next hops or FRR backup next hops, and can be used as transport tunnels.

Receiving a /32 BGP-LU IPv4 route with prefix SID attribute does not create a tunnel in the SR database; it only creates a label swap entry when the route is re-advertised with a new next hop. This means that the first SID in any SID list of an SR policy should not be based on a BGP prefix SID because the data path would not be programmed correctly. However, the BGP prefix SID can be used as a non-first SID in any SR policy.

Each node capable of receiving and propagating the BGP prefix SID attribute can be configured with the **block-prefix-sid** command at the BGP global, group, or neighbor configuration levels to:

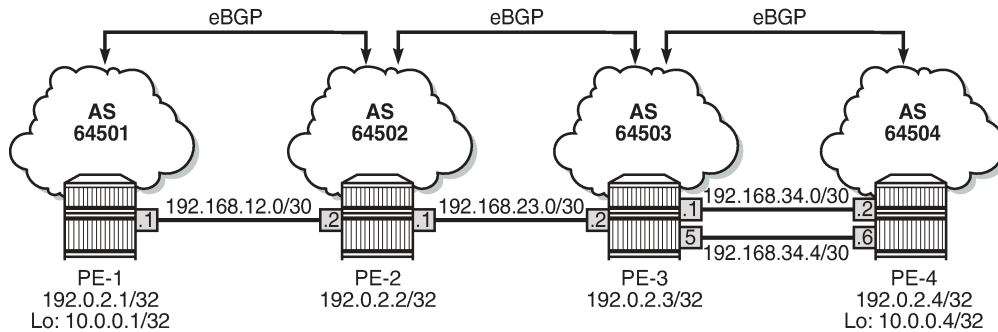
- block the propagation of the attribute outside its local SR domain
- block inbound propagation of the attribute from another SR domain

When **block-prefix-sid** applies to a BGP session, the prefix SID attribute is stripped from all sent and received routes on that session, even if the prefix SID attribute was added to the outbound routes by the local router. By default, this feature is not configured, so the prefix SID is propagated freely to and from all BGP peers.

Configuration

[Figure 3: Example topology](#) shows the example topology with four nodes in different ASs. The loopback addresses 10.0.0.1/32 on PE-1 and 10.0.0.4/32 on PE-4 are exported in BGP-LU IPv4 routes with prefix SID attribute.

Figure 3: Example topology



35888

The initial configuration includes:

- Cards, MDAs, ports
- Router interfaces
- eBGP sessions for the label-IPv4 address family
- PE-3 and PE-4 have ECMP and **multi-path** set to 2 for BGP address family **label-ipv4**

No IGP is configured, so SR-OSPF or SR-ISIS cannot be used.

Configure BGP segment routing using prefix SID

BGP SR is enabled on all PEs. Also, the SRGB is configured and the BGP SR labels are defined as a subset of the SRGB, as follows:

```
# on PE-1, PE-2, PE-3, PE-4:
configure
  router "Base"
    mpls-labels
      sr-labels start 20000 end 20999
    exit
  bgp
    segment-routing
      prefix-sid-range start-label 20100 max-index 99
      no shutdown
    exit
  exit
```

It is possible to define different policies with the **sr-label-index** action for importing and exporting the prefixes, but in this example, the same policy is used. The following policy is used for exporting and importing prefix 10.0.0.1/32 on PE-1:

```
# on PE-1:
configure
  router "Base"
    policy-options
```

```

begin
prefix-list "10.0.0.1/32"
  prefix 10.0.0.1/32 exact
exit
policy-statement "prefix-sid-1"
  entry 10
    from
      prefix-list "10.0.0.1/32"
    exit
    action accept
      sr-label-index 1
    exit
  exit
exit
exit
commit

```

Likewise, PE-4 exports prefix 10.0.0.4/32 with SR label index value 4, resulting in a BGP prefix SID 20104 (start label 20100 + index 4 = 20104).

The **route-table-import** command is used to populate a local BGP-SR table with SR label 20101 (20100 + 1 = 20101), as follows:

```

# on PE-1:
configure
  router "Base"
    bgp
      rib-management
        label-ipv4
          route-table-import "prefix-sid-1"
        exit
      exit
    exit

```

The export policy is configured in the BGP group, as follows:

```

# on PE-1:
configure
  router "Base"
    bgp
      group "eBGP"
        family label-ipv4
          export "prefix-sid-1"
          neighbor 192.168.12.2
            peer-as 64502
          exit
        exit
      exit

```

The following **show** commands display the BGP-SR table on the different PEs:

```

*A:PE-1# show router bgp sr-label

=====
BGP SR labels
Flags: B - entry has backup next-hop, E - entry has ECMP next-hops
=====
Prefix                               Advertised  Received   Flags
Label                                Label       Label
-----
10.0.0.1/32                          20101      -          -
10.0.0.4/32                          20104      20104     -
-----
Total Labels allocated:    2

```

```
=====
*A:PE-2# show router bgp sr-label
```

```
=====
BGP SR labels
Flags: B - entry has backup next-hop, E - entry has ECMP next-hops
=====
Prefix                               Advertised  Received   Flags
Label                                 Label       Label
-----
10.0.0.1/32                           20101      20101      -
10.0.0.4/32                           20104      20104      -
-----
Total Labels allocated:    2
=====
```

```
=====
*A:PE-3# show router bgp sr-label
```

```
=====
BGP SR labels
Flags: B - entry has backup next-hop, E - entry has ECMP next-hops
=====
Prefix                               Advertised  Received   Flags
Label                                 Label       Label
-----
10.0.0.1/32                           20101      20101      -
10.0.0.4/32                           20104      20104      E
-----
Total Labels allocated:    2
=====
```

```
=====
*A:PE-4# show router bgp sr-label
```

```
=====
BGP SR labels
Flags: B - entry has backup next-hop, E - entry has ECMP next-hops
=====
Prefix                               Advertised  Received   Flags
Label                                 Label       Label
-----
10.0.0.1/32                           20101      20101      E
10.0.0.4/32                           20104      -          -
-----
Total Labels allocated:    2
=====
```

Because PE-3 and PE-4 have ECMP and BGP multipath configured, traffic flows can be sprayed over two links. The E-flag in the last column indicates that an ECMP next-hop is available for prefix 10.0.0.4/32 on PE-3 and for prefix 10.0.0.1 on PE-4.

The tunnel table on PE-1 shows that a tunnel with ID 262145 is available toward destination 10.0.0.4/32:

```
*A:PE-1# show router tunnel-table
```

```
=====
IPv4 Tunnel Table (Router: Base)
=====
Destination      Owner      Encap TunnelId  Pref  Nexthop      Metric
Color
-----
```

```
-----
10.0.0.4/32      bgp      MPLS  262145   12    192.168.12.2  1000
-----
Flags: B = BGP or MPLS backup hop available
      L = Loop-Free Alternate (LFA) hop available
      E = Inactive best-external BGP route
      k = RIB-API or Forwarding Policy backup hop
=====
```

The FP-tunnel table provides more information about the label (20104) and next hop (192.168.12.2):

```
*A:PE-1# show router fp-tunnel-table 1

=====
IPv4 Tunnel Table Display

Legend:
label stack is ordered from bottom-most to top-most
B - FRR Backup
=====
Destination                Protocol      Tunnel-ID
 Lbl/SID                    NextHop      Intf/Tunnel
 Lbl/SID (backup)          NextHop (backup)
-----
10.0.0.4/32                BGP          -
 20104                      192.168.12.2  1/1/c1/1:100
-----
Total Entries : 1
=====
```

On PE-2, two tunnels are available: one toward destination 10.0.0.1/32 with SR label 20101 and another toward destination 10.0.0.4/32 with SR label 20104:

```
*A:PE-2# show router fp-tunnel-table 1

=====
IPv4 Tunnel Table Display

Legend:
label stack is ordered from bottom-most to top-most
B - FRR Backup
=====
Destination                Protocol      Tunnel-ID
 Lbl/SID                    NextHop      Intf/Tunnel
 Lbl/SID (backup)          NextHop (backup)
-----
10.0.0.1/32                BGP          -
 20101                      192.168.12.1  1/1/c1/2:100
10.0.0.4/32                BGP          -
 20104                      192.168.23.2  1/1/c1/1:100
-----
Total Entries : 2
=====
```


On PE-3, three tunnels are available: one toward destination 10.0.0.1/32 with SR label 20101 and two toward destination 10.0.0.4/32 with SR label 20104.

```
*A:PE-3# show router fp-tunnel-table 1

=====
IPv4 Tunnel Table Display

Legend:
label stack is ordered from bottom-most to top-most
B - FRR Backup
=====
Destination                                Protocol      Tunnel-ID
Lbl/SID                                     NextHop      Intf/Tunnel
Lbl/SID (backup)                           NextHop      (backup)
-----
10.0.0.1/32                                BGP          -
20101                                       192.168.23.1 1/1/c1/2:100
10.0.0.4/32                                BGP          -
20104                                       192.168.34.2 1/1/c1/1:100
20104                                       192.168.34.6 1/1/c1/3:100
-----
Total Entries : 2
=====
```

On PE-4, two tunnels are available toward destination 10.0.0.1/32 with SR label 20101:

```
*A:PE-4# show router fp-tunnel-table 1

=====
IPv4 Tunnel Table Display

Legend:
label stack is ordered from bottom-most to top-most
B - FRR Backup
=====
Destination                                Protocol      Tunnel-ID
Lbl/SID                                     NextHop      Intf/Tunnel
Lbl/SID (backup)                           NextHop      (backup)
-----
10.0.0.1/32                                BGP          -
20101                                       192.168.34.1 1/1/c1/2:100
20101                                       192.168.34.5 1/1/c1/3:100
-----
Total Entries : 1
=====
```

PE-1 advertised a BGP-LU IPv4 route for prefix 10.0.0.1/32 with label 20101 to PE-2. The following command on PE-2 shows the received route:

```
*A:PE-2# show router bgp routes 10.0.0.1/32 label-ipv4
```

```

=====
BGP Router ID:192.0.2.2      AS:64502      Local AS:64502
=====
Legend -
Status codes  : u - used, s - suppressed, h - history, d - decayed, * - valid
                l - leaked, x - stale, > - best, b - backup, p - purge
Origin codes  : i - IGP, e - EGP, ? - incomplete
=====
BGP LABEL-IPV4 Routes
=====
Flag Network                               LocalPref MED
      Nexthop (Router)                     Path-Id   IGP Cost
      As-Path                               Label
-----
u*>i 10.0.0.1/32                            None      None
      192.168.12.1                          None      0
      64501                                  20101
-----
Routes : 1
=====

```

This route is advertised to PE-3 and finally to PE-4. The following command on PE-4 shows two BGP-LU IPv4 routes for prefix 10.0.0.1/32 with label 20101: one with next hop 192.168.34.1 and another one with next hop 192.168.34.5.

```

*A:PE-4# show router bgp routes 10.0.0.1/32 label-ipv4
=====
BGP Router ID:192.0.2.4      AS:64504      Local AS:64504
=====
Legend -
Status codes  : u - used, s - suppressed, h - history, d - decayed, * - valid
                l - leaked, x - stale, > - best, b - backup, p - purge
Origin codes  : i - IGP, e - EGP, ? - incomplete
=====
BGP LABEL-IPV4 Routes
=====
Flag Network                               LocalPref MED
      Nexthop (Router)                     Path-Id   IGP Cost
      As-Path                               Label
-----
u*>i 10.0.0.1/32                            None      None
      192.168.34.1                          None      0
      64503 64502 64501                      20101
u*>i 10.0.0.1/32                            None      None
      192.168.34.5                          None      0
      64503 64502 64501                      20101
-----
Routes : 2
=====

```

The detailed output for the BGP-LU IPv4 routes on PE-4 show the prefix SID attribute with index 1 and originator SRGB with start label 20100 and size 100, as follows:

```

*A:PE-4# show router bgp routes 10.0.0.1/32 label-ipv4 detail
=====
BGP Router ID:192.0.2.4      AS:64504      Local AS:64504
=====
Legend -
Status codes  : u - used, s - suppressed, h - history, d - decayed, * - valid
                l - leaked, x - stale, > - best, b - backup, p - purge

```

```

Origin codes : i - IGP, e - EGP, ? - incomplete

=====
BGP LABEL-IPV4 Routes
=====
Original Attributes

Network      : 10.0.0.1/32
Nexthop     : 192.168.34.1
Path Id      : None
From        : 192.168.34.1
Res. Nexthop : 192.168.34.1
Local Pref.  : n/a
Aggregator AS : None
Atomic Aggr. : Not Atomic
AIGP Metric  : None
Connector    : None
Community    : No Community Members
Cluster      : No Cluster Members
Originator Id : None
Fwd Class    : None
IPv4 Label   : 20101
Flags        : Used Valid Best IGP In-TTM In-RTM
Route Source : External
AS-Path      : 64503 64502 64501
Route Tag    : 0
Neighbor-AS  : 64503
DB Orig Val  : NotFound
Source Class : 0
Add Paths Send : Default
RIB Priority  : Normal
Last Modified : 00h05m18s
Prefix SID   : index 1, originator-srgb [20100/100]
---snip---

-----
Routes : 2
=====

```

The following debug message shows how the prefix SID attribute is advertised in a BGP update:

```

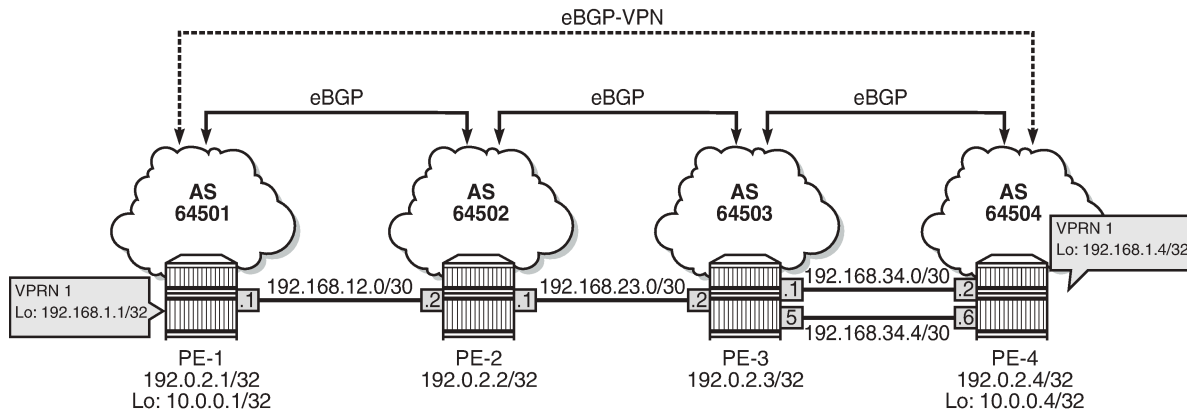
33 2023/04/17 09:34:47.277 UTC MINOR: DEBUG #2001 Base Peer 1: 192.168.34.1
"Peer 1: 192.168.34.1: UPDATE
Peer 1: 192.168.34.1 - Received BGP UPDATE:
  Withdrawn Length = 0
  Total Path Attr Length = 66
  Flag: 0x90 Type: 14 Len: 17 Multiprotocol Reachable NLRI:
    Address Family LBL-IPV4
    NextHop len 4 NextHop 192.168.34.1
    10.0.0.1/32 Label 20101
  Flag: 0x40 Type: 1 Len: 1 Origin: 0
  Flag: 0x40 Type: 2 Len: 14 AS Path:
    Type: 2 Len: 3 < 64503 64502 64501 >
Flag: 0xc0 Type: 40 Len: 21 Prefix-SID-attr:
  Label Index TLV (10 bytes):-
    flags: 0x0 label Index: 1
  Originator SRGB TLV (11 bytes):-
    flags: 0x0 start_label: 20100 num_label: 100
"

```

Configure VPRN

Figure 4: Example topology with VPRN 1 shows the example topology with a basic VPRN service to demonstrate the end-to-end control plane signaling and data plane verification.

Figure 4: Example topology with VPRN 1



35890

A BGP multi-hop session for address family VPN-IPv4 is configured between the GRT loopback addresses 10.0.0.1/32 on PE-1 and 10.0.0.4/32 on PE-4. On PE-1, the additional BGP configuration is as follows:

```
# on PE-1:
configure
router "Base"
  bgp
    group "eBGP-VPN"
      family vpn-ipv4
      neighbor 10.0.0.4
        local-address 10.0.0.1
        multihop 64
        peer-as 64504
    exit
  exit
```

In addition, the VPRN 1 service has loopback addresses 192.168.1.1/32 on PE-1 and 192.168.1.4/32 on PE-4. The configuration on PE-1 is as follows:

```
# on PE-1:
configure
service
  vprn 1 name "VPRN 1" customer 1 create
  interface "lo1" create
    address 192.168.1.1/32
    loopback
  exit
  bgp-ipvpn
  mpls
    auto-bind-tunnel
    resolution any
  exit
  route-distinguisher 1:1
  vrf-target target:1:1
```

```

        no shutdown
    exit
    exit
    no shutdown
exit
    
```

The configuration on PE-4 is similar.

The following VPN-IPv4 route is received on PE-1:

```

*A:PE-1# show router bgp routes vpn-ipv4
=====
BGP Router ID:192.0.2.1      AS:64501      Local AS:64501
=====
Legend -
Status codes : u - used, s - suppressed, h - history, d - decayed, * - valid
               l - leaked, x - stale, > - best, b - backup, p - purge
Origin codes  : i - IGP, e - EGP, ? - incomplete
=====
BGP VPN-IPv4 Routes
=====
Flag  Network                LocalPref  MED
      Nexthop (Router)      Path-Id    IGP Cost
      As-Path                Label
-----
u*>i  4:1:192.168.1.4/32        None       None
      10.0.0.4                None       0
      64504                    None       524287
-----
Routes : 1
=====
    
```

The route table for VPRN 1 on PE-1 is as follows:

```

*A:PE-1# show router 1 route-table
=====
Route Table (Service: 1)
=====
Dest Prefix[Flags]          Type  Proto  Age      Pref
Next Hop[Interface Name]   Metric
-----
192.168.1.1/32             Local  Local  00h01m28s  0
      lo1                      0
192.168.1.4/32             Remote BGP VPN 00h01m11s  170
      10.0.0.4 (tunneled:BGP)  1000
-----
No. of Routes: 2
Flags: n = Number of times nexthop is repeated
      B = BGP backup route available
      L = LFA nexthop available
      S = Sticky ECMP requested
=====
    
```

Conclusion

With BGP SR, it is possible to use SR without the use of an IGP protocol (for example, to cross AS boundaries). It is also possible to stitch SR-IGP and SR-BGP tunnels together. BGP SR uses the prefix SID attribute.

BGP Signaled Segment Routing Policy

This chapter describes BGP Signaled Segment Routing Policy.

Topics in this chapter include:

- [Applicability](#)
- [Overview](#)
- [Configuration](#)
- [Conclusion](#)

Applicability

The information and configuration contained in this chapter are based on SR OS Release 21.7.R1.

Overview

Segment Routing (SR) allows a head-end node to steer a packet flow along a source-routed path. SR policy is a generic framework that describes the procedures and processes that a head-end node carries out when instantiating such a path. The SR policy consists of an ordered list of segments on a node, sufficient to implement a traffic-engineered path. The segments can have any type of Segment Identifier (SID), including Adjacency-SIDs, Node-SIDs, and Anycast-SIDs. The head-end can then steer traffic, using the SR policy as appropriate.

An SR policy can define one or multiple candidate paths. When explicit candidate paths are used, each path contains one or more segment lists, where each segment list contains the ordered set of segments (identified by their unique SID) required to provide the source-routed path from head-end to destination. When a candidate path contains multiple segment lists, each is assigned a weight for the purpose of weighted load-balancing. Candidate paths can be instantiated using a variety of ways, including Path Computation Element Protocol (PCEP), BGP, or local configuration. This chapter describes the use of BGP to advertise SR policy candidate paths. The term "BGP SR policy" is interchangeably used with "BGP SR TE policy".

SR policy overview

An SR policy is identified through the tuple {head-end, color, endpoint}.

- The head-end is the node where the SR policy is instantiated, and the node that is responsible for steering traffic, using the SR policy with the relevant SID stack. From the perspective of the head-end, the SR policy can be identified using the {color, endpoint} tuple.
- The color is a fundamental part of the SR policy and forms part of the Network Layer Reachability Information (NLRI). The color is a 32-bit numerical value that a head-end uses to associate the SR policy with a characteristic, such as low-latency or high-throughput.

- The endpoint is the destination in the SR policy specified as an IPv4 or IPv6 address, although "wildcard" destinations can be used and are described later in this chapter.

Color is also a 32-bit transitive extended community originally defined in *draft-ietf-idr-tunnel-encaps* that can be attached to a BGP update message, in order to associate it with a corresponding SR policy. For example, if head-end H learns a BGP route R with {next-hop N, color extended community C, and VPN label V} and head-end H has a valid SR policy P to {endpoint N, color C}, it can associate BGP route R with the SR policy P. When H receives packets with a destination matching BGP route R, it forwards them using the instructions contained within SR policy P.

SR policy NLRI

The BGP address family "SR TE policy" (SAFI 73) is defined to advertise a candidate path for an SR policy in BGP and is carried in an update message using BGP multiprotocol extensions. The AFI must be IPv4 (AFI=1) or IPv6 (AFI=2). An SR policy candidate path may be advertised from a centralized controller, or it may be advertised by a router; for example, an egress router advertising paths to itself. [Figure 5: SR TE policy NLRI](#) shows the structure of the SR TE policy NLRI.

Figure 5: SR TE policy NLRI

Path Attribute:	MP_REACH_NLRI <Distinguisher, Policy Color, Endpoint>	
Path Attribute:	Origin, AS_PATH, Local_PREF, and so on	
Path Attribute:	Tunnel_Encapsulation_Attribute: Tunnel Type SR Policy	
	Sub-TLV:	Binding SID
	Sub-TLV:	Preference
	Sub-TLV:	Segment List
	Sub-TLV:	Segment
	Sub-TLV:	Segment

36648

The SR TE policy NLRI is used to identify an SR policy candidate path and, because it uses MP-BGP, it is carried in an MP_REACH/UNREACH_NLRI path attribute. The NLRI contains the color and endpoint values described previously, and a distinguisher. The distinguisher is an integer value in the range 1 to 4294967295 that serves to make the SR policy unique from an NLRI perspective. The SR TE policy NLRI uses standard BGP propagation and best-path selection; a unique distinguisher ensures that best-path selection does not unnecessarily suppress SR policy advertisements.

Multiple candidate paths can exist for an SR policy, although only one path can be selected as the best path of the SR policy and become the active path. If several candidate paths of the same SR policy (endpoint, color) are advertised via BGP SR TE policy to the same head-end, unique distinguishers for each NLRI are recommended. In SR OS Release 21.7.R1, only a single candidate path is supported for an SR policy.

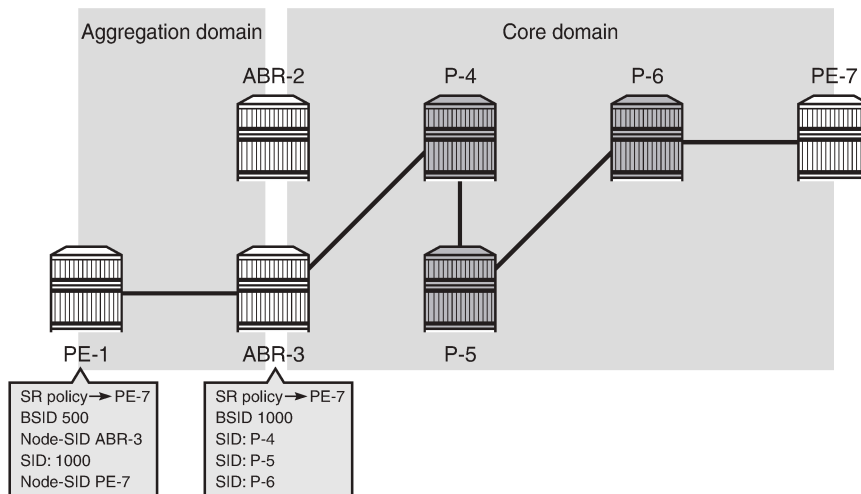
The other parameters of the SR policy candidate path are carried as sub-TLVs of the Tunnel Encapsulation Attribute (*draft-ietf-idr-tunnel-encaps*) using a tunnel-type known as "SR policy", and are described following.

Binding SID

The SR architecture defines the use of a Binding SID (BSID). A BSID is bound to an SR policy, and packets arriving at a node with an active label equal to the BSID are steered using that SR policy. This action may mean swapping the incoming active label with one or more outgoing labels representing the SR policy path.

When used in this manner, the Binding SID serves as an anchor point, sometimes referred to as a "BSID anchor", that allows one domain to be isolated from another domain. This is shown in [Figure 6: Binding SID \(BSID\) anchor](#), where ABR-3 is acting as a BSID anchor between the aggregation domain and the core domain. ABR-3 has an SR policy to PE-7 with the path P-4-P-5-P-6 and with a BSID of 1000. The PE-1 resulting SR policy to PE-7 consists of the path {Node-SID ABR-3, 1000, Node-SID PE-7} and a BSID of 500. When a packet is forwarded by the SR policy on PE-1 and arrives at ABR-3, it pops the Node-SID ABR-3 label, and swaps label 1000 for the label stack {P-4, P-5, P-6} of the SR policy on ABR-3.

Figure 6: Binding SID (BSID) anchor



36649

The BSID serves as an anchor point, which allows one domain to be isolated from the churn of another domain. If something changes in the path P-4-P-5-P-6, ABR-3 can repair the path locally without needing to change the BSID value known at PE-1. PE-1 is therefore protected from the churn in the core domain. The BSID also serves to reduce the number of segments/labels that the head-end needs to impose an end-to-end traffic-engineered path.

Segment list

A segment list sub-TLV encodes a single path toward the endpoint. Multiple segment list sub-TLVs may be included in each SR policy. Each segment list sub-TLV may contain multiple segment sub-TLVs and may carry a weight sub-TLV. Each segment sub-TLV describes a single segment in a segment list, and multiple segments may be concatenated to constitute an end-to-end path of the SR policy.

There are several types of the segment sub-TLV, allowing for the segment to be expressed as a variant of IPv4/IPv6 node address or local/remote address, and with a SID in the form of an MPLS label or IPv6 address. This chapter focuses only on the Type A encoding, which is represented as a SID in the form of

an MPLS label. The SID contained within each segment sub-TLV can be any form of SID, including Node-SID, Adjacency-SID, Anycast-SID, or Binding SID.

The optional weight sub-TLV is used to implement (weighted) load-balancing in the presence of multiple segment lists. By default, SR OS assigns a weight value of 1 to each segment list.

Preference

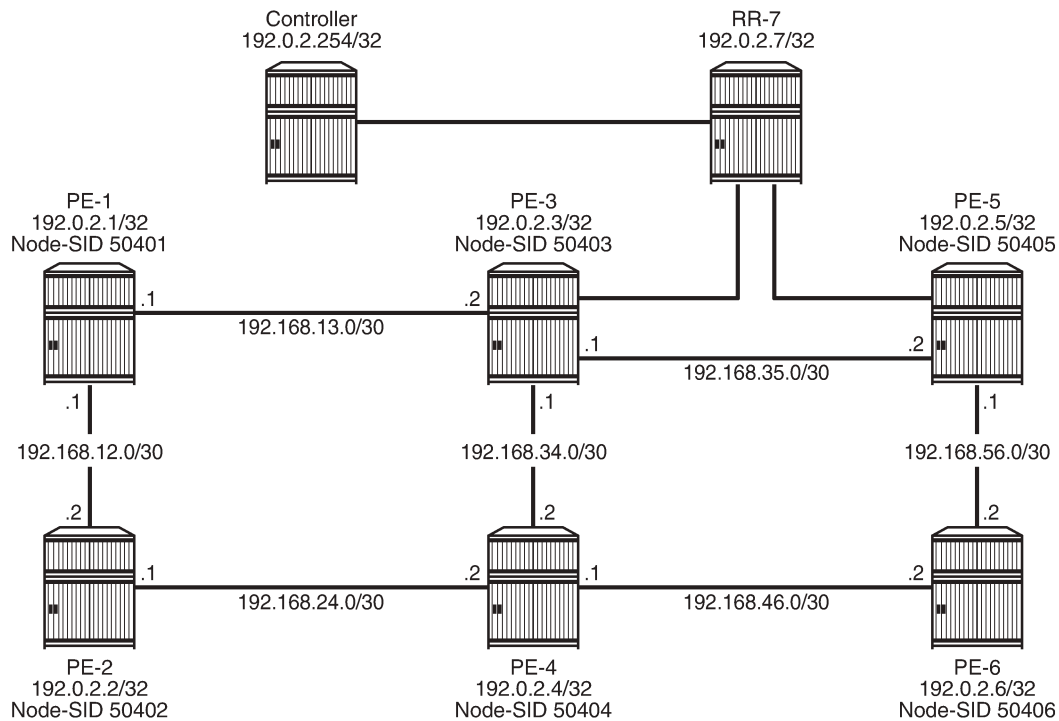
The preference sub-TLV is used to indicate the preference of a candidate path in relation to other candidate paths. Multiple candidate paths can exist in an SR policy, but only one candidate path can be selected as the best and active path. When multiple candidate paths exist that are considered valid, the candidate path with the highest preference is selected. The default value of the preference is 100. If multiple paths have the same preference, the protocol origin (PCEP, BGP, local configuration) may be considered, followed by the lower value of originator, followed by the higher value of discriminator.

Example topology

The topology in [Figure 7: Example topology](#) shows the use of BGP SR TE policy within this chapter. All PE routers within the example topology and the Route Reflector (RR-7) form part of Autonomous System 64496 and belong to the same IS-IS Level-2 area. All IGP link metrics are 100 and are symmetric. SR is enabled within the domain, and the associated Node-SIDs are shown in [Figure 7: Example topology](#) (Adj-SIDs are not shown for the purpose of clarity). The SRGB in use is {50000-54999}. All PE routers are clients of the Route Reflector for multiple address families including SR TE policy.

The example topology also has an additional router simulating a controller, which uses static routing for IP connectivity. This is the point from which SR policies are advertised into BGP, although as previously described, SR policies can be advertised into BGP by a controller or a router. The controller peers in the SR TE policy address family with the Route Reflector, which in turn reflects those routes to its clients.

Figure 7: Example topology



36650

Configuration

An SR policy can be statically (CLI) configured locally on a head-end or dynamically learned by a head-end through BGP SR TE policy route. For SR OS to obtain an SR TE policy route, that route needs to be configured locally as a static SR policy. This chapter provides an example of the instantiation of an SR policy using static configuration on the head-end, but thereafter focuses on the instantiation of SR policies learned by it through BGP SR TE policy. The same static SR policy configuration is used regardless of whether it is for advertising that SR policy into BGP to the head-end, or applying it at that local head-end to forward traffic.

Segment Routing Local Block

A BSID may be either a local SID or a global SID. In general, and for the use-cases in this chapter, BSIDs are local SIDs, so a BSID needs to be within the range of a locally-configured Segment Routing Local Block (SRLB). SRLBs are reserved label blocks used for specific local purposes, such as SR policy BSIDs, Adjacency Set SIDs, and static Adjacency SIDs. A dedicated SRLB is required per application and has only local significance, so the same values can be used on all SR routers in the domain. Ranges for each SRLB are taken from the dynamic label range. The following configuration allocates labels 100000 to 1019999 to the SRLB "SRLB-BSID":

```
# on all nodes:
```

```
configure
  router Base
    mpls-labels
      reserved-label-block "SRLB-BSID"
        start-label 100000 end-label 109999
      exit
    exit
  exit
exit
```

After the SRLB is defined, it is dedicated to the specific application, which in this case is SR policies. When the **reserved-label-block** is assigned, **sr-policies** must be enabled (**no shutdown**), as follows:

```
# on all nodes:
configure
  router Base
    segment-routing
      sr-policies
        reserved-label-block "SRLB-BSID"
          no shutdown
        exit
    exit
  exit
exit
```

The preceding configuration is applied to all SR routers in the domain.

Static SR policy

As previously described, SR policies can be statically (CLI) configured locally on a head-end or dynamically learned by a head-end through BGP SR TE policy route. In this section, the necessary steps are shown for the instantiation of an SR policy using static configuration locally on PE-1 as the head-end.

The following output shows the configuration of a static SR policy at PE-1 (192.0.2.1) with an endpoint of PE-5 (192.0.2.5).

```
# on PE-1:
configure
  router Base
    segment-routing
      sr-policies
        static-policy "PE-1-PE-5-color600" create
          binding-sid 100002
          color 600
          distinguisher 600001005
          endpoint 192.0.2.5
          head-end local
        segment-list 1 create
          segment 1 create
            mpls-label 50402 # node-SID PE-2
          exit
          segment 2 create
            mpls-label 150024 # adj-SID int-PE-2-PE-4
          exit
          segment 3 create
            mpls-label 150046 # adj-SID int-PE-4-PE-6
          exit
          segment 4 create
            mpls-label 50405 # node-SID PE-5
          exit
```

```

                no shutdown          # enable segment list
            exit
                no shutdown          # enable static SR policy
        exit
    exit
exit
exit
exit
exit

```

The static SR policy is initially created within the `sr-policies` context and begins by assigning a **binding-sid** of 100002. In this example, the SR policy is local to PE-1, and the BSID value is therefore within the range of the PE-1 SRLB. If this static SR policy were to be advertised into BGP, the advertised BSID value must be in the range of the SRLB configured on the target head-end.

The next three parameters are the color, distinguisher, and endpoint that constitute the SR policy NLRI. The SR policy **color** is 600, and is a 4-octet value that can be configured in the range 1 to 4294967295. The **distinguisher** is also a 4-octet value with the same range and is configured as 600001005 (representing the color plus the last octet of the head-end and endpoint addresses). As previously described, the purpose of the distinguisher is to make the SR policy unique from an NLRI perspective, such that if multiple candidate paths of the same SR policy (endpoint, color) are advertised, they are not suppressed by any BGP best-path selection algorithm.

The **endpoint** is the IPv4 or IPv6 address of the destination for the SR policy and is configured as the PE-5 address 192.0.2.5. There are special circumstances where the value 0.0.0.0 or 0::0 is allowed as an endpoint. This is referred to as color-only steering and is described later in this chapter.

The **head-end** is the target node where the SR policy is to be instantiated. If the SR policy is statically configured on the head-end for forwarding of traffic locally using that SR policy, the value **local** is used, as shown in this example. If the SR policy is configured somewhere other than on the head-end, and advertised into BGP toward the head-end, the value of the head-end parameter is the IPv4 address of that head-end. When the SR policy is advertised into BGP, the head-end address is also encoded as an IPv4 address-specific Route-Target Extended Community, which allows for potential constraining of route propagation.

The final parameter is the segment list. The preceding configuration output shows the segment list consisting of four segments, which represent the path using the following SIDs:

- Segment 1 SID is 50402, which is the Node-SID of PE-2
- Segment 2 SID is 150024, representing the PE-2 Adj-SID for the link PE-2-PE-4
- Segment 3 SID is 150046, representing the PE-4 Adj-SID for the link PE-4-PE-6
- Segment 4 SID is 50405, which is the Node-SID of PE-5.

A more optimal SID stack is achievable in this topology, but the configured segment list shows the use of both Node- and Adj-SIDs on a loose or strict hop basis. The segment list has an optional weight parameter used for load-balancing across multiple segment lists. In this example, only a single segment list exists, so the default weight value of 1 is retained.

Finally, both the segment list and the static SR policy are enabled (**no shutdown**). The following output shows the operational state of the static SR policy. The **Active** field shows whether this candidate path is the selected path in the presence of multiple candidate paths. The SR policy segment list is considered valid if the head-end is able to perform path resolution for the first SID in the segment list into one or more outgoing interfaces and next-hops. The segment 1 label is 50402, and the **State** is shown as *resolved-up*, indicating that this is a valid segment list.

```
*A:PE-1# show router segment-routing sr-policies static
```

```

=====
SR-Policies Path
=====
-----
Active      : YesOwner      : static
Color       : 600
Head        : 0.0.0.0      Endpoint Addr   : 192.0.2.5
RD          : 600001005    Preference      : 100
BSID        : 100002
TunnelId    : 917506      Age             : 73
Origin ASN  : 0           Origin          : 0.0.0.0
NumReEval   : 0           ReEvalReason    : none
NumActPathChange: 0      Last Change     : 09/13/2021 15:11:33
Maintenance Policy: N/A

Path Segment Lists:
Segment-List : 1           Weight          : 1
S-BFD State  : Down       S-BFD Transitio*: 0
Num Segments : 4           Last Change     : 09/13/2021 15:00:54
  Seg 1 Label : 50402      State           : resolved-up
  Seg 2 Label : 150024    State           : N/A
  Seg 3 Label : 150046    State           : N/A
  Seg 4 Label : 50405     State           : N/A
=====
* indicates that the corresponding row element may have been truncated.

```

If the SR policy is considered valid, it is populated in the tunnel table with an owner of sr-policy. The entry indicates the destination and color, and always has a metric value of 0 regardless of how the SR policy is instantiated. The metric value of 0 is used because there is no effective way for the head-end to determine a more reflective value for an SR policy when learned through BGP SR TE policy or statically configured.

```

*A:PE-1# show router tunnel-table 192.0.2.5 protocol sr-policy
=====
IPv4 Tunnel Table (Router: Base)
=====
Destination      Owner      Encap TunnelId Pref  Nexthop      Metric
  Color
-----
192.0.2.5/32sr-policy MPLS 917506  14   192.0.2.2    0
  600
-----
Flags: B = BGP or MPLS backup hop available
       L = Loop-Free Alternate (LFA) hop available
       E = Inactive best-external BGP route
       k = RIB-API or Forwarding Policy backup hop
=====

```

Traffic steering using SR policies

A head-end can potentially steer traffic using an SR policy as a midpoint (or BSID anchor) or as an ingress router using color-based traffic steering:

- At a midpoint or BSID anchor, if an incoming packet has an active label that matches the BSID of a valid SR policy, the incoming label is swapped for the labels contained in the active path of that SR policy, and traffic is forwarded along that path.

- At an ingress router, if a BGP or service route is received containing a Color Extended Community with a value corresponding to a valid local SR policy, and the endpoint of that SR policy matches the next-hop of the BGP/service route, traffic is forwarded into the associated SR policy.

This sub-section discusses the use of the Color Extended Community to implement traffic steering at an ingress router, and begins with an overview of the structure of the Color Extended Community.

The Color Extended Community has two flags, known as the Color-Only (CO) bits, that allow for a head-end to optionally steer traffic using an SR policy, without the need to explicitly define an SR policy endpoint that matches the next-hop of a BGP or service route. In this case, the endpoint can be the null address (0.0.0.0 for IPv4 and 0::0 for IPv6) and traffic is steered by an SR policy based on correlation of color. [Table 1: Use of CO bits](#) describes the destination steering options based on the setting of the Color-Only (CO) bits.

Table 1: Use of CO bits

CO bits=00	CO bits=01	CO bits=10
If there is a valid SR policy (N, C), where N is the IPv4 or IPv6 endpoint address and C is a color, steer using SR policy (N, C);	If there is a valid SR policy (N, C), where N is the IPv4 or IPv6 endpoint address and C is a color, steer using SR policy (N, C);	If there is a valid SR policy (N, C), where N is the IPv4 or IPv6 endpoint address and C is a color, steer using SR policy (N, C);
Else, steer on the IGP path to the next-hop N	Else, if there is a valid SR policy (null endpoint, C) of the same address family as N, steer using SR policy (null endpoint, C);	Else, if there is a valid SR policy (null endpoint, C) of the same address family as N, steer using SR policy (null endpoint, C);
	Else, if there is any valid SR policy (any address family null endpoint, C), steer using SR policy (any null endpoint, C);	Else, if there is any valid SR policy (any address family null endpoint, C), steer using SR policy (any null endpoint, C);
	Else, steer on the IGP path to the next-hop N	Else, if there is any valid SR policy (any endpoint, C) of the same address family as N, steer using SR policy (any endpoint, C);
		Else, if there is any valid SR policy (any address family endpoint, C), steer using SR policy (any address family endpoint, C);
		Else, steer on the IGP path to the next-hop N

Per-destination traffic steering

When incoming packets match a BGP/service route with a next-hop that resolves to an SR policy, it is referred to as per-destination traffic steering. The previously configured static SR policy at PE-1 with color 600 is used to show how it is applied. A VPRN service (600) is extended between PE-1 and PE-5 with import/export Route-Target 64496:600, and with the auto-bind-tunnel resolution-filter at PE-1 set to SR policy (the complete VPRN service configuration is not shown for conciseness).

```
# on PE-1:
configure
  service
    vprn 600 name "VPRN_600" customer 1 create
      vrf-import "vrf600-import"
      vrf-export "vrf600-export"
      autonomous-system 64496
      route-distinguisher 64496:600
      auto-bind-tunnel
        resolution-filter
          sr-policy
        exit
      resolution filter
    exit
  ---snip---
  exit
exit
exit
```

A CE router is locally connected to PE-5 and advertises prefix 10.148.5.0/24 to IPv4 BGP, which PE-5 subsequently advertises as a VPN-IPv4 route. In addition to attaching the Route-Target Extended Community to the VPN-IPv4 route, PE-5 also attaches a Color Extended Community with value 600. The PE-5 VRF export policy is shown following. When configuring the Color Extended Community, the syntax "color:co:value" is used. Therefore, in the example configuration, the CO bits are 00 and the color value is 600.

```
# on PE-5:
configure
  router Base
    policy-options
      begin
        community "vrf600-export"
          members "target:64496:600"
        exit
        community "vrf600-sr-policy"
          members "color:00:600"
        exit
      policy-statement "vrf600-export"
        entry 10
          from
            protocol bgp
          exit
          to
            protocol bgp-vpn
          exit
          action accept
            community add "vrf600-export" "vrf600-sr-policy"
          exit
        exit
      exit
    exit
  commit
```



```

    exit
  exit
exit

```

At PE-1, the VPN-IPv4 route with {next-hop PE-5, color extended community 600} resolves to the PE-1 static SR policy with {endpoint PE-5, color 600}. It is imported into the VPRN route-table with an indication that it is resolved to the SR policy with tunnel ID 917506, which is the tunnel ID of the previously configured static SR policy. Traffic from PE-1 to PE-5 is therefore forwarded into the SR policy using the label stack defined in the segment list.

```

*A:PE-1# show router 600 route-table 10.148.5.0/24

=====
Route Table (Service: 600)
=====
Dest Prefix[Flags]                               Type   Proto   Age           Pref
  Next Hop[Interface Name]                       Metric
-----
10.148.5.0/24                                     Remote BGP VPN 00h02m26s 170
      192.0.2.5 (tunneled:SR-Policy:917506)      0
-----
No. of Routes: 1
Flags: n = Number of times nexthop is repeated
      B = BGP backup route available
      L = LFA nexthop available
      S = Sticky ECMP requested
=====

```

Color-Only traffic steering

SR OS provides support for Color-Only traffic steering using a null endpoint SR policy, but its use is limited to unlabeled BGP address families because of the following. When an egress router advertises a downstream label in a labeled BGP update (VPN-IPv4/IPv6, EVPN, BGP Labeled Unicast, and so on) that egress router needs to see that label in received packets to be able to demultiplex into the relevant service/next-hop and forward traffic toward the destination. If a head-end is forwarding traffic using an SR policy with a null endpoint, that head-end is unaware of the egress router, so cannot impose the relevant downstream-advertised BGP/service label into the label stack.

The following example shows the configuration of Color-Only traffic steering. PE-5 advertises an IPv4 prefix 172.16.5.1/32 to PE-1 with the Color Extended Community 01:600. PE-1 intends to use the previously configured static SR policy to resolve this route. As described in [Table 1: Use of CO bits](#), with the CO-bits set to 01, the head-end uses an SR policy with (null endpoint, C) if no valid (N, C) SR policy exists.

```

*A:PE-5# show router bgp routes 172.16.5.1/32 hunt | match expression "Network|Nexthop|
Community"
Network       : 172.16.5.1/32
Nexthop       : 192.0.2.5
Res. Nexthop  : n/a
Community     : color:01:600

```

At PE-1, the static SR policy to PE-5 is reconfigured such that the endpoint is no longer an explicit endpoint of 192.0.2.5 (PE-5), but instead uses a null endpoint (0.0.0.0).

```

# on PE-1:
configure

```

```

router Base
  segment-routing
  sr-policies
    static-policy "PE-1-PE-5-color600" create
    shutdown
    endpoint 0.0.0.0
    no shutdown
  exit
exit
exit
exit
exit

```

Since PE-5 advertised an IPv4 BGP prefix, PE-1 also enables the use of BGP shortcuts, with a resolution filter that only permits the use of SR policy.

```

# on PE-1:
configure
  router Base
    bgp
      next-hop-resolution
      shortcut-tunnel
      family ipv4
      resolution-filter
      sr-policy
      exit
      resolution filter
    exit
  exit
exit
exit
exit
exit

```

The tunnel table of PE-1 shows that there is a single SR policy active with a destination of 0.0.0.0/32 (null) and color 600.

```

*A:PE-1# show router tunnel-table protocol sr-policy
=====
IPv4 Tunnel Table (Router: Base)
=====
Destination      Owner      Encap TunnelId  Pref  Nexthop      Metric
  Color
-----
0.0.0.0/32      sr-policy MPLS  917507   14    192.0.2.2    0
  600
-----
Flags: B = BGP or MPLS backup hop available
       L = Loop-Free Alternate (LFA) hop available
       E = Inactive best-external BGP route
       k = RIB-API or Forwarding Policy backup hop
=====

```

The status of the IPv4 prefix 172.16.5.1/32 received from PE-5 is shown in the following output at PE-1. The output shows that the route is Used/Valid/Best, and that the resolving protocol is SR-POLICY, and the resolving NextHop is 0.0.0.0. Therefore, a BGP next-hop has been resolved to a null endpoint SR policy using the CO-bits.

```

*A:PE-1# show router bgp routes 172.16.5.1/32 detail
=====

```

```

BGP Router ID:192.0.2.1      AS:64496      Local AS:64496
=====
Legend -
Status codes  : u - used, s - suppressed, h - history, d - decayed, * - valid
                l - leaked, x - stale, > - best, b - backup, p - purge
Origin codes  : i - IGP, e - EGP, ? - incomplete
=====
BGP IPv4 Routes
=====
Original Attributes

Network       : 172.16.5.1/32
Nexthop      : 192.0.2.5
Path Id       : None
From          : 192.0.2.7
Res. Protocol : SR-POLICY      Res. Metric   : 0
Res. Nexthop  : 0.0.0.0 (SR-POLICY)
Local Pref.   : 100              Interface Name : NotAvailable
Aggregator AS : None             Aggregator    : None
Atomic Aggr.  : Not Atomic       MED           : None
AIGP Metric   : None             IGP Cost      : 0
Connector     : None
Community     : color:01:600
Cluster       : 192.0.2.7
Originator Id : 192.0.2.5         Peer Router Id : 192.0.2.7
Fwd Class     : None             Priority       : None
Flags         : Used Valid Best IGP In-RTM
Route Source  : Internal
AS-Path       : No As-Path
Route Tag     : 0
Neighbor-AS   : n/a
Orig Validation: NotFound
---snip---

```

Advertising SR policies into BGP

Before advertising SR policies into BGP, all previous static SR policy configuration is removed. The simulated controller acts as the source of BGP advertised SR policies, and when an SR OS router advertises SR policies into BGP they must first be statically configured to provide the relevant information to populate the BGP path attributes. The following static SR policy is applied at the controller representing a similar SR policy to that previously configured at PE-1. The SR policy has a head-end of PE-1 (192.0.2.1), an endpoint of PE-5 (192.0.2.5), and a color of 600. The segment list is modified slightly to represent a list of strict hops using Adj-SIDs along the path PE-1-PE-2-PE-4-PE-6-PE-5.

```

# on controller:
configure
  router Base
    segment-routing
      sr-policies
        static-policy "color600-PE-1-PE-5" create
          binding-sid 100002
          color 600
          distinguisher 600001005
          endpoint 192.0.2.5
          head-end 192.0.2.1
          segment-list 1 create
            segment 1 create
              mpls-label 150012 # adj-SID int-PE-1-PE-2
            exit
          exit

```

```

segment 2 create
  mpls-label 150024 # adj-SID int-PE-2-PE-4
exit
segment 3 create
  mpls-label 150046 # adj-SID int-PE-4-PE-6
exit
segment 4 create
  mpls-label 150065 # adj-SID int-PE-6-PE-5
exit
no shutdown
exit
no shutdown
exit
no shutdown
exit
exit
exit
exit
exit

```

To advertise the preceding SR policy into BGP, two steps are required at the controller. First, the **sr-policy-import** command must be configured under the **bgp** context. This command instructs BGP to import all statically configured non-local SR policies from the SR database into the BGP RIB, such that they can be advertised toward BGP peers supporting the SR policy address family. Second, a BGP peering is established with the Route Reflector RR-7 (192.0.2.7) for the address family, using the keyword **sr-policy-ipv4**. Although not shown, the relevant configuration is made on all routers for RR-7 to peer to all its clients for the same address family.

```

# on controller:
configure
  router Base
    bgp
      sr-policy-import # import non-local static SR policies into BGP RIB
      group "SR-policy"
        family sr-policy-ipv4
        peer-as 64496
        neighbor 192.0.2.7
      exit
    exit
  exit
exit
exit

```



Note:

SR OS Release 21.7.R1 supports propagation of SR policy routes across internal BGP peers. SR policy routes are not advertised to external BGP peers.

The following output shows the BGP RIB-Out for the SR policy address family at the controller and shows the SR policy advertised to RR-7 (192.0.2.7). The presence of an IPv4 address-specific Route-Target Extended Community encoding the head-end PE-1 address (192.0.2.1) allows for potential constraining of route propagation if required.

```

*A:PCE# show router bgp routes sr-policy-ipv4 hunt
=====
BGP Router ID:192.0.2.254      AS:64496      Local AS:64496
=====
Legend -
Status codes : u - used, s - suppressed, h - history, d - decayed, * - valid
               l - leaked, x - stale, > - best, b - backup, p - purge
Origin codes  : i - IGP, e - EGP, ? - incomplete

```

```

=====
BGP SR-POLICY-v4 Routes
=====
-----
RIB In Entries
-----
RD/Color/End Pt: 600001005/600/192.0.2.5
BSID/Pref/TunnType: 100002/100/sr-policy
Nexthop      : 0.0.0.0
From         : BGP
Res. Nexthop : n/a
Local Pref.  : None
Aggregator AS : None
Atomic Aggr. : Not Atomic
AIGP Metric  : None
Connector    : None
Community    : target:192.0.2.1:0
Cluster      : No Cluster Members
Originator Id : None
Flags        : Used Valid Best IGP
Route Source : Internal
AS-Path      : No As-Path
Route Tag    : 0
Neighbor-AS  : n/a
Orig Validation: N/A
Source Class : 0
Add Paths Send : Default
Last Modified : 00h01m00s

Interface Name : NotAvailable
Aggregator     : None
MED            : None
IGP Cost       : 0
Peer Router Id : 0.0.0.0
Dest Class     : 0
-----
RIB Out Entries
-----
RD/Color/End Pt: 600001005/600/192.0.2.5
BSID/Pref/TunnType: 100002/100/sr-policy
Nexthop      : 192.0.2.254
To         : 192.0.2.7
Res. Nexthop : n/a
Local Pref.  : 100
Aggregator AS : None
Atomic Aggr. : Not Atomic
AIGP Metric  : None
Connector    : None
Community    : target:192.0.2.1:0
Cluster      : No Cluster Members
Originator Id : None
Origin       : IGP
AS-Path      : No As-Path
Route Tag    : 0
Neighbor-AS  : n/a
Orig Validation: N/A
Source Class : 0

Interface Name : NotAvailable
Aggregator     : None
MED            : None
IGP Cost       : n/a
Peer Router Id : 192.0.2.7
Dest Class     : 0
-----
Routes : 2
=====

```

The following output from PE-1 shows that the SR policy is active and that the first SID in the segment list has been correctly resolved; the owner is bgp.

```

*A:PE-1# show router segment-routing sr-policies bgp color 600 end-point 192.0.2.5
=====

```

```

SR-Policies Path
=====
-----
Active      : YesOwner      : bgp
Color       : 600
Head        : 0.0.0.0      Endpoint Addr : 192.0.2.5
RD          : 600001005    Preference    : 100
BSID        : 100002
TunnelId    : 917508      Age           : 502
Origin ASN  : 64496      Origin        : 192.0.2.254
NumReEval   : 0          ReEvalReason  : none
NumActPathChange: 0      Last Change   : 09/13/2021 15:42:34
Maintenance Policy: N/A

Path Segment Lists:
Segment-List : 1          Weight        : 1
S-BFD State  : Down      S-BFD Transitio*: 0
Num Segments : 4          Last Change   : 09/13/2021 15:00:54
  Seg 1 Label : 150012     State         : resolved-up
  Seg 2 Label : 150024     State         : N/A
  Seg 3 Label : 150046     State         : N/A
  Seg 4 Label : 150065     State         : N/A
=====
* indicates that the corresponding row element may have been truncated.

```

Verification is also made at PE-1 that the SR policy is correctly populated in the tunnel table.

```

*A:PE-1# show router tunnel-table 192.0.2.5/32 protocol sr-policy
=====
IPv4 Tunnel Table (Router: Base)
=====
Destination      Owner      Encap TunnelId  Pref  Nexthop      Metric
  Color
-----
192.0.2.5/32     sr-policy MPLS  917508   14    192.168.12.2  0
  600
-----
Flags: B = BGP or MPLS backup hop available
       L = Loop-Free Alternate (LFA) hop available
       E = Inactive best-external BGP route
       k = RIB-API or Forwarding Policy backup hop
=====

```

The procedure for traffic steering using an SR policy learned through BGP SR TE policy is the same as traffic steering using a statically configured SR policy, and is therefore not repeated here.

BSID anchor

The statically configured and BGP advertised SR policies used so far in this chapter have been instantiated on a head-end that uses the Color Extended Community to steer traffic. An alternative method of steering traffic using an SR policy is through the use of the BSID. If an incoming packet has an active label that matches the BSID of a valid SR policy, the packet is forwarded using that SR policy and the incoming label is swapped for the labels that the SR policy contains.

Using a BSID in this way is considered useful at domain interconnects such as ABRs or ASBRs. It provides opacity between the domains and protects the churn from one domain from entering another domain. In large networks, it has the additional benefit of reducing the number of labels an ingress router needs to

impose, because the BSID can expand a single incoming SID/label stack (the BSID) into a much larger outgoing SID/label stack.

The example topology in [Figure 7: Example topology](#) is entirely IS-IS Level 2, so not constructed of multiple domains. However, it is still sufficient to show the use of BSID traffic steering. In the following example, PE-3 becomes a BSID anchor for an SR policy path extended between PE-1 and PE-5. This requires the instantiation of two SR policies:

- An SR policy at PE-3 with a segment list that constructs the required path to PE-5. Like every SR policy, it requires a BSID, but in this case the BSID is programmed in the Incoming Label Map (ILM) table and has a next-hop Label Forwarding Entry (NHLFE) that includes the segments (labels) in the segment list.
- An SR policy at PE-1 with a segment list specifying a path to PE-3, followed by a segment that references the relevant BSID programmed at PE-3.

The following output shows the SR policy advertised in BGP to PE-3. It uses color 700 and has an endpoint of PE-5 (192.0.2.5). Since traffic steering at PE-3 using the SR policy is achieved using the BSID, any color value could be used (although different colors may be needed to represent different path characteristics). Packets are classified upstream of PE-3 at PE-1, and the result of that classification selects the relevant BSID to meet the path requirements. The segment list programs a path to PE-5 using Adj-SIDs along the path PE-3-PE-4-PE-6-PE-5. The BSID value is 100001.

```
*A:PE-3# show router segment-routing sr-policies bgp color 700
=====
SR-Policies Path
=====
-----
Active           : Yes                Owner           : bgp
Color            : 700
Head             : 0.0.0.0          Endpoint Addr   : 192.0.2.5
RD               : 700003005       Preference      : 100
BSID             : 100001
TunnelId         : 917506          Age             : 34
Origin ASN       : 64496          Origin          : 192.0.2.254
NumReEval        : 0              ReEvalReason    : none
NumActPathChange: 0              Last Change     : 09/13/2021 15:55:07
Maintenance Policy: N/A

Path Segment Lists:
Segment-List     : 1                Weight          : 1
S-BFD State      : Down            S-BFD Transitio*: 0
Num Segments     : 3                Last Change     : 09/13/2021 15:01:05
  Seg 1 Label    : 150034           State           : resolved-up
  Seg 2 Label    : 150046           State           : N/A
  Seg 3 Label    : 150065           State           : N/A
=====
* indicates that the corresponding row element may have been truncated.
```

The following output shows the SR policy advertised in BGP to PE-1. It uses color 700 and has an endpoint of PE-5 (192.0.2.5). The segment list programs a path that contains the following:

- The Node-SID of PE-3 (50403)
- The BSID programmed at PE-3 for the path to PE-5 (100001). When PE-3 pops its Node-SID and this label is exposed at PE-3, it swaps label 100001 for the label stack contained in the SR policy of that BSID.

- The Node-SID of PE-5 (50405)

```
*A:PE-1# show router segment-routing sr-policies bgp color 700

=====
SR-Policies Path
=====
-----
Active      : Yes                Owner      : bgp
Color      : 700
Head       : 0.0.0.0          Endpoint Addr : 192.0.2.5
RD         : 700001003        Preference  : 100
BSID       : 100003
TunnelId   : 917509          Age         : 306
Origin ASN : 64496           Origin      : 192.0.2.254
NumReEval  : 0               ReEvalReason : none
NumActPathChange: 0         Last Change  : 09/13/2021 15:55:07
Maintenance Policy: N/A

Path Segment Lists:
Segment-List : 1              Weight      : 1
S-BFD State  : Down          S-BFD Trans*: 0
Num Segments : 3              Last Change : 09/13/2021 15:00:54
  Seg 1 Label : 50403         State       : resolved-up
  Seg 2 Label : 100001        State       : N/A
  Seg 3 Label : 50405         State       : N/A

=====
* indicates that the corresponding row element may have been truncated.
```

A VPRN service (700) is extended between PE-1 and PE-5 with import/export Route-Target 64496:700, and with the auto-bind-tunnel resolution-filter set to SR policy at PE-1 (the complete VPRN service configuration is not shown for conciseness).

```
# on PE-1:
configure
  service
    vprn 700 name "VPRN_700" customer 1 create
    vrf-import "vrf700-import"
    vrf-export "vrf700-export"
    autonomous-system 64496
    route-distinguisher 64496:700
    auto-bind-tunnel
      resolution-filter
        sr-policy
      exit
    resolution filter
  exit
exit
exit
exit
```

PE-5 advertises prefix 172.31.5.1/32 as a VPN-IPv4 route. In addition to the Route-Target Extended Community attached to the VPN-IPv4 route, PE-5 also attaches a Color Extended Community with value 700. PE-5's VRF export policy is as follows:

```
# on PE-5:
configure
  router Base
    policy-options
      begin
```



```

prefix-list "vrf700-prefixes"
  prefix 172.31.5.1/32 exact
exit
community "vrf700-export"
  members "target:64496:700"
exit
community "vrf700-sr-policy"
  members "color:00:700"
exit
policy-statement "vrf700-export"
  entry 10
    from
      prefix-list "vrf700-prefixes"
    exit
    to
      protocol bgp-vpn
    exit
    action accept
      community add "vrf700-export" "vrf700-sr-policy"
    exit
  exit
exit
commit
exit
exit
exit
exit

```

PE-1 also advertises prefix 172.31.1.1/32 as a VPN-IPv4 route to allow for connectivity to be validated end-to-end through both SR policies. The first of the following outputs shows PE-1s tunnel-table containing the advertised SR policy to PE-5 with tunnel ID 917509 and next-hop 192.0.2.3.

```

*A:PE-1# show router tunnel-table 192.0.2.5/32 protocol sr-policy
=====
IPv4 Tunnel Table (Router: Base)
=====
Destination      Owner      Encap TunnelId  Pref  Nexthop      Metric
  Color
-----
192.0.2.5/32     sr-policy MPLS  917508   14    192.168.12.2  0
  600
192.0.2.5/32   sr-policy MPLS  917509  14    192.0.2.3   0
  700
-----
Flags: B = BGP or MPLS backup hop available
      L = Loop-Free Alternate (LFA) hop available
      E = Inactive best-external BGP route
      k = RIB-API or Forwarding Policy backup hop
=====

```

The next output shows the route-table of VPRN 700 at PE-1 where the VPN-IPv4 prefix 172.31.5.1/32 advertised by PE-5 is resolved to an SR policy with tunnel ID 917509. As in the previous output, this is the SR policy advertised in BGP containing the BSID at PE-3.

```

*A:PE-1# show router 700 route-table
=====
Route Table (Service: 700)
=====
Dest Prefix[Flags]      Type  Proto  Age      Pref
  Next Hop[Interface Name]      Metric
-----

```

```

172.31.1.1/32          Local   Local   00h03m32s  0
  loopback0-700
172.31.5.1/32        Remote  BGP VPN 00h03m00s 170
  192.0.2.5 (tunneled:SR-Policy:917509)
-----
No. of Routes: 2
Flags: n = Number of times nexthop is repeated
      B = BGP backup route available
      L = LFA nexthop available
      S = Sticky ECMP requested
=====

```

The datapath between PE-1 and PE-5 is verified using a ping:

```

*A:PE-1# ping router 700 172.31.5.1 source 172.31.1.1
PING 172.31.5.1 56 data bytes
64 bytes from 172.31.5.1: icmp_seq=1 ttl=64 time=3.47ms.
64 bytes from 172.31.5.1: icmp_seq=2 ttl=64 time=3.52ms.
64 bytes from 172.31.5.1: icmp_seq=3 ttl=64 time=3.61ms.
64 bytes from 172.31.5.1: icmp_seq=4 ttl=64 time=3.22ms.
64 bytes from 172.31.5.1: icmp_seq=5 ttl=64 time=2.97ms.

---- 172.31.5.1 PING Statistics ----
5 packets transmitted, 5 packets received, 0.00% packet loss
round-trip min = 2.97ms, avg = 3.36ms, max = 3.61ms, stddev = 0.232ms

```

By enabling egress statistics for SR policies at PE-3, it is also possible to see the number of packets and octets being forwarded using the SR policy.

```

# on PE-3:
configure
  router Base
    segment-routing
      sr-policies
        egress-statistics
        no shutdown
      exit
    exit
  exit
exit
exit
exit

*A:PE-3# show router segment-routing sr-policies egress-statistics color 700 end-point
192.0.2.5

=====
SR-Policies Egress Statistics
=====

Egress Statistics:

Color           : 700                Endpoint Addr   : 192.0.2.5
Segment-List    : 1
TunnelId        : 917506           BSID            : 100001
Pkt Count     : 5                Octet Count    : 610
=====

```

Weighted Equal Cost Multipath

Support for weighted Equal Cost Multipath (ECMP) is provided with SR policies using multiple segment lists. Each segment list contains a path from the head-end to the endpoint, and each segment list contains a weight used to influence ECMP forwarding. The following output at the controller shows the use of multiple segment lists for an SR policy with a head-end of PE-1 (192.0.2.1), an endpoint of PE-6 (192.0.2.6), and a color of 800. Segment list 1 encodes a path consisting of Node-SIDs along the path PE-1-PE-3-PE-5-PE-6 and has a weight of 40. Segment list 2 encodes a path consisting of Node-SIDs along the path PE-1-PE-2-PE-4-PE-6 and has a weight of 60.

```
# on controller:
configure
  router Base
    segment-routing
      sr-policies
        static-policy "color800-PE-1-PE-6" create
          binding-sid 100001
          color 800
          distinguisher 800001006
          endpoint 192.0.2.6
          head-end 192.0.2.1
          segment-list 1 create
            weight 40
            segment 1 create
              mpls-label 50403          # node SID of PE-3
            exit
            segment 2 create
              mpls-label 50405          # node SID of PE-5
            exit
            segment 3 create
              mpls-label 50406          # node SID of PE-6
            exit
            no shutdown
          exit
          segment-list 2 create
            weight 60
            segment 1 create
              mpls-label 50402          # node SID of PE-2
            exit
            segment 2 create
              mpls-label 50404          # node SID of PE-4
            exit
            segment 3 create
              mpls-label 50406          # node SID of PE-6
            exit
            no shutdown
          exit
          no shutdown
        exit
      exit
    exit
  exit
exit
exit
exit
exit
exit
```

The SR policy at PE-1 shows that the SR policy is active and that both segment lists are resolved and up.

```
*A:PE-1# show router segment-routing sr-policies bgp color 800
```

```
SR-Policies Path
=====
-----
Active       : Yes                Owner       : bgp
Color        : 800
Head         : 0.0.0.0           Endpoint Addr : 192.0.2.6
RD           : 800001006        Preference  : 100
BSID         : 100001
TunnelId     : 917510           Age         : 31
Origin ASN   : 64496           Origin      : 192.0.2.254
NumReEval    : 0               ReEvalReason : none
NumActPathChange: 0           Last Change  : 09/13/2021 16:12:54
Maintenance Policy: N/A

Path Segment Lists:
Segment-List : 1                Weight      : 40
S-BFD State   : Down            S-BFD Transitio*: 0
Num Segments  : 3               Last Change : 09/13/2021 15:00:54
  Seg 1 Label : 50403           State     : resolved-up
  Seg 2 Label : 50405           State       : N/A
  Seg 3 Label : 50406           State       : N/A

Segment-List : 2                Weight      : 60
S-BFD State   : Down            S-BFD Transitio*: 0
Num Segments  : 3               Last Change : 09/13/2021 15:00:54
  Seg 1 Label : 50402           State     : resolved-up
  Seg 2 Label : 50404           State       : N/A
  Seg 3 Label : 50406           State       : N/A

=====
* indicates that the corresponding row element may have been truncated.
```

The tunnel table at PE-1 shows two tunnels to PE-6 (192.0.2.6) owned by SR policy. Both entries reference the same tunnel ID of 917510, but the first entry has a next-hop of PE-3 (192.0.2.3) while the second entry has a next-hop of PE-2 (192.0.2.2).

```
*A:PE-1# show router tunnel-table 192.0.2.6/32 protocol sr-policy
=====
IPv4 Tunnel Table (Router: Base)
=====
Destination      Owner      Encap TunnelId Pref  Nexthop      Metric
  Color
-----
192.0.2.6/32     sr-policy MPLS  917510  14   192.0.2.3     0
  800
192.0.2.6/32     sr-policy MPLS  917510  14   192.0.2.2     0
  800
-----
Flags: B = BGP or MPLS backup hop available
      L = Loop-Free Alternate (LFA) hop available
      E = Inactive best-external BGP route
      k = RIB-API or Forwarding Policy backup hop
=====
```

Conclusion

SR policies provide an effective way for instantiating traffic engineered SR tunnels that may be statically configured or advertised into BGP from either a controller or a router. Segments of paths constructed using

SR policies can be loose or strict, using any combination of SIDs. The use of BSIDs also provides a way to interconnect domains and reduces the label stack imposition required at ingress routers. BGP can be used to advertise and instantiate SR policies that can be used as a method of steering traffic.

Flexible SR-TE Label Stack Allocation for BGP Services

This chapter provides information about the flexible segment routing traffic engineered (SR-TE) label stack allocation for BGP services.

Topics in this chapter include:

- [Applicability](#)
- [Overview](#)
- [Configuration](#)
- [Conclusion](#)

Applicability

The information and configuration in this chapter are based on SR OS Release 23.10.R2.

Flexible SR-TE label stack allocation for BGP services is supported on FP4-based platforms in SR OS Release 22.2.R1, and later.

Overview

FP4-based platforms support pushing 12 labels for SR-TE LSPs used in VPRN services and 10 labels for SR-TE LSPs used in EVPN VPLS or EVPN VPWS services. Layer 2 services, such as VPLS or Epipe services require an inner Ethernet header which reduces the space available for the label stack. In the case of R-VPLS or B-VPLS, even less label space is available for the label stack. For R-VPLS, only 9 labels can be pushed, and for B-VPLS, only 6.

Each SR-TE LSP is configured with a maximum transport label stack size, which is the sum of the values for the label stack size and the number of additional FRR labels. The label stack size ranges from 1 to 11 and the number of additional FRR labels ranges from 0 to 4, as follows. By default, the value for the label stack size is 6 and the number of additional FRR labels is 1.

```
*A:PE-1>config>router>mpls>lsp# max-sr-labels ?
- max-sr-labels <label-stack-size> [additional-frr-labels <labels>]
- no max-sr-labels

<label-stack-size>  : [1..11]
<labels>            : [0..4]
```

For VPRN services, the ingress label edge router (ILER) can push 12 labels, including the service label. A maximum of 11 labels remain for the sum of the label stack size and the number of additional FRR labels. The following error is raised because the sum of 10 and 2 exceeds the maximum of 11 labels:

```
*A:PE-1>config>router>mpls>lsp# max-sr-labels 10 additional-frr-labels 2
MINOR: MPLS #1030 Exceeds the maximum number of Labels allowed - Sum of label-stack-size and
```

additional-frr-labels cannot exceed max labels (11) allowed per stack

Default egress label stack allocation for BGP services

In addition to the transport labels, the ILER pushes other fields into the packet, such as the service label, control word, Ethernet segment identifier (ESI), OAM labels, hash label, or entropy labels. The service label is present for all types of services, while the other labels depend on the service type. Some of these labels are always computed in the label stack allocation, such as the service label, OAM label, ESI, and control word. The label space for these labels is always reserved when computing the maximum stack; even when no Ethernet segment is used, one label is reserved for an ESI (for the purpose of BGP next hop resolution). Other labels are optional, such as the hash label or the entropy label, which are mutually exclusive. For the entropy label, two labels are required: the entropy label indicator (ELI) and the entropy label (EL) itself. These optional labels are only allocated when the hash or entropy label is configured.

[Table 2: Default egress label stack limits for BGP services](#) shows an overview of the default egress label stack limits for BGP services, such as IP-VPN, EVPN-IFL, EVPN VPWS or EVPN VPLS, EVPN-IFF, and EVPN B-VPLS.

Table 2: Default egress label stack limits for BGP services

Features that reduce the label stack	IP-VPN (VPRN)	EVPN-IFL (VPRN)	EVPN VPLS or EVPN VPWS	EVPN-IFF (R-VPLS)	EVPN B-VPLS (PBB-EVPN)
Service label (always allocated)	1	1	1	1	1
OAM label (always allocated)	1	1	0	0	0
Control word (always allocated)	0	0	1	1	1
ESI label (always allocated)	0	0	1	0	0
Hash label (only when configured; mutually exclusive with EL)	1	1	0	0	0
Entropy EL+ELI (only when configured; mutually exclusive with the hash label)	2	2	2	2	2
Number of always-allocated labels	2	2	3	2	2
Number of allocated labels, including the options	4	4	5	4	4
Number of available labels	12	12	10	9	6
Number of available transport labels when no options are configured	10	10	7	7	4
Number of available transport labels with options	8	8	5	5	2

The label space is always allocated for the first four features: the service label, OAM label, control word, and ESI label.

For IP-VPN or EVPN IFL VPRN services, only the service label and OAM label can be applied; therefore the transport label stack can have a maximum of $12 - 2 = 10$ labels. In the case that the entropy label option is configured, two additional labels are reserved for EL and ELI and the transport label stack can have a maximum of 8 labels. When the hash label option is used, the number of available transport labels is only reduced by 1 and 9 transport labels are available.

For EVPN VPWS or EVPN VPLS services, the service label, control word, and ESI label are always allocated, even when the control word or ESI is not used. The number of available transport labels is $10 - 3 = 7$ when no options are used. When the entropy label option is used, the number of available transport labels is further reduced by 2 and only 5 transport labels can be used.

For EVPN-IFF R-VPLS services, the traffic is either bridged traffic containing an ESI label or routed traffic without an ESI label. The ESI label is not accounted for because the routed encapsulation is always larger. For R-VPLS, the ILER can push a maximum of 9 labels, including the service label and control word. The number of available transport labels is $9 - 2 = 7$, unless entropy labels are used. When the entropy label option is used, only $7 - 2 = 5$ transport labels are available.

For B-VPLS services, the ILER can only push 6 labels, including the service label and control word. The number of available transport labels is only $6 - 2 = 4$ when no options are used. When the entropy label option is used, only $4 - 2 = 2$ transport labels are available.

SR-TE LSPs are configured with **max-sr-labels <.> additional-frr-labels <.>**. The number of these configured LSP labels must not exceed the number of available transport labels in the table. The BGP route next hop for the LSP cannot be resolved when the number of available labels is exceeded.

Dynamic egress label stack allocation for BGP services

With dynamic egress label stack allocation per service, SR OS accounts for the service label, but not for the labels that are not used. The **dynamic-egress-label-limit** command extends the number of available labels in the dynamic egress label stack by not accounting for the labels that are not used. When the **dynamic-egress-label-limit** command is enabled, the OAM label cannot be used in VPRN services and **vprn-ping** and **vprn-trace** are not supported. In EVPN VPWS or EVPN VPLS services, the control word can still be used, as a result, the corresponding label space is allocated. In EVPN VPLS services, the ESI label is only accounted for if the VPLS has a SAP or SDP binding associated to an ES.

Dynamic egress label stack allocation is supported for IP-VPN, EVPN-IFL, EVPN VPWS, EVPN VPLS, EVPN-IFF, and EVPN B-VPLS. [Table 3: Dynamic egress label stack limits for BGP services](#) shows a comparison for the dynamic egress label stack allocation for IP-VPN, EVPN-IFL, EVPN VPLS, and EVPN VPWS, but a similar comparison can be made for EVPN-IFF and EVPN B-VPLS.

Table 3: Dynamic egress label stack limits for BGP services

Features that reduce the label stack	dynamic-egress-label-limit false			dynamic-egress-label-limit true		
	IP-VPN (VPRN)	EVPN-IFL (VPRN)	EVPN VPLS EVPN Epipe	IP-VPN (VPRN)	EVPN-IFL (VPRN)	EVPN VPLS EVPN Epipe
Service label	1 (always allocated)	1 (always allocated)	1 (always allocated)	1 (always allocated)	1 (always allocated)	1 (always allocated)

Features that reduce the label stack	dynamic-egress-label-limit false			dynamic-egress-label-limit true		
	IP-VPN (VPRN)	EVPN-IFL (VPRN)	EVPN VPLS EVPN Epipe	IP-VPN (VPRN)	EVPN-IFL (VPRN)	EVPN VPLS EVPN Epipe
OAM label	1 (always allocated)	1 (always allocated)	0	0	0	0
Control word	0	0	1 (always allocated)	0	0	1
ESI label	0	0	1 (always allocated)	0	0	1
Hash label (mutually exclusive with EL)	1	1	0	1	0	0
Entropy EL+ELI (mutually exclusive with the hash label)	2	2	2	2	2	2
Number of always-allocated labels	2	2	3	1	1	1
Number of allocated labels, including the options	4	4	5	3	3	5
Number of available labels	12	12	10	12	12	10
Number of available transport labels when no options are configured	10	10	7	11	11	9
Number of available transport labels with options	8	8	5	9	9	5

When the **dynamic-egress-label-limit** command is enabled in an IP-VPN or EVPN-IFL service, the OAM label is not used and one additional transport label is available.

For IP-VPN or EVPN-IFL VPRN services, the ILER can push 12 labels and one of these labels is the service label. The remaining 11 labels are available for transport when no options are configured. When entropy labels are configured, $11 - 2 = 9$ labels are available for transport.

For EVPN VPWS or EVPN VPLS services, the ILER can push 10 labels and one of these labels is the service label. The control word and ESI label are now considered as options. When no options are configured, $10 - 1 = 9$ labels are available for the transport label stack. When the entropy label, control word, and ESI label are configured, only 5 labels are available for the transport label stack.

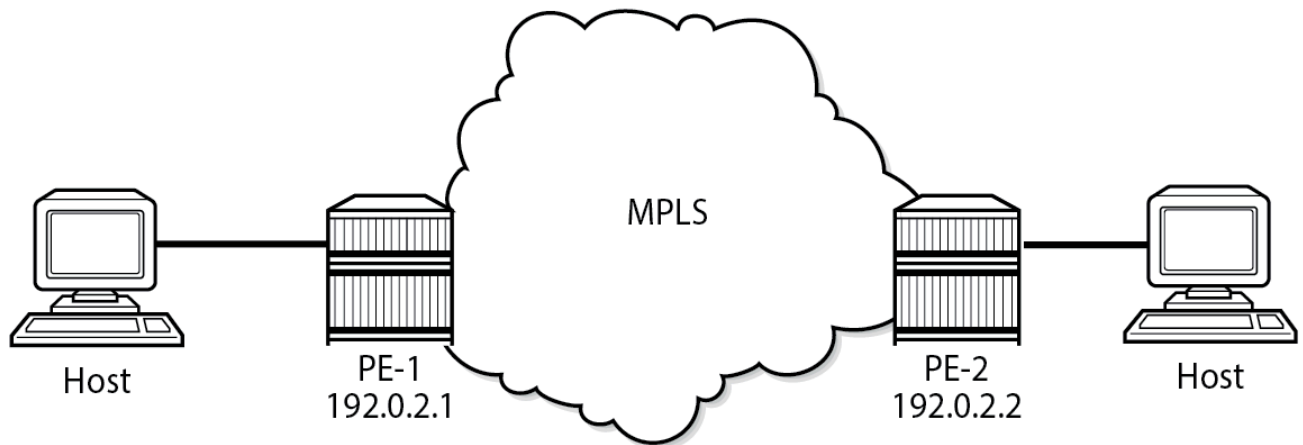
For EVPN-IFF services, the ILER can push 9 labels and one of these labels is the service label. When no options are configured, $9 - 1 = 8$ labels are available for the transport label stack. When the control word and entropy label are configured, only $8 - 3 = 5$ transport labels are available.

For EVPN B-VPLS services, the ILER can push 6 labels, including the service label. When no options are configured, $6 - 1 = 5$ labels are available for the transport label stack. When the control word and entropy label are configured, only $5 - 3 = 2$ transport labels are available.

Configuration

The [Figure 8: Example topology](#) consists of two nodes in an MPLS network:

Figure 8: Example topology



28622-253

The initial configuration includes:

- cards, MDAs, and ports
- router interfaces
- SR-ISIS
- MPLS and RSVP enabled

BGP is configured for the EVPN and VPN-IPv4 address families; on PE-1 as follows:

```
# on PE-1:
configure
  router Base
    autonomous-system 64500
    bgp
      enable-peer-tracking
      rapid-withdrawal
      split-horizon
      rapid-update evpn
      group "internal"
        family evpn vpn-ipv4
          peer-as 64500
          neighbor 192.0.2.2
        exit
      exit
    exit
  no shutdown

# on PE-2: 192.0.2.1
```

The BGP configuration on PE-2 is similar.

SR-TE LSPs are configured between PE-1 and PE-2, as follows:

```
# on PE-1:
configure
router Base
  mpls
    interface "int-PE-1-PE-2"
    exit
    path "empty"
      no shutdown
    exit
    path "to-PE-2-strict"
      hop 10 192.168.12.2 strict
      no shutdown
    exit
    lsp "to-PE-2-empty" sr-te
      to 192.0.2.2
      path-computation-method local-cspf
      max-sr-labels 8 additional-frr-labels 2
      primary "empty"
      exit
      no shutdown
    exit
    lsp "to-PE-2-strict" sr-te
      to 192.0.2.2
      path-computation-method local-cspf
      max-sr-labels 8 additional-frr-labels 2
      primary "to-PE-2-strict"
      exit
      no shutdown
    exit
  no shutdown
exit
  rsvp
  no shutdown
exit

# on PE-2: "int-PE-2-PE-1"
# on PE-2: "to-PE-1-strict"
# on PE-2: 192.168.12.1
# on PE-2: "to-PE-1-empty"
# on PE-2: to 192.0.2.1
# 10 labels - suited for VPRN
# on PE-2: "to-PE-1-strict"
# on PE-2: to 192.0.2.1
# 10 labels - suited for VPRN
# on PE-2: "to-PE-1-strict"
```

The following services are described in this section:

- [IP-VPN and EVPN-IFL services](#)
- [EVPN VPWS services](#)
- [EVPN VPLS services](#)
- [EVPN-IFF services](#)
- [EVPN PBB services](#)

IP-VPN and EVPN-IFL services

For VPRN services, the ILER can push 12 labels: 1 service label, 1 OAM label, and 10 transport labels. VPRN-1 is an IP-VPN with the following configuration:

```
# on PE-1:
configure
  service
    vprn 1 name "VPRN-1" customer 1 create
    description "VPRN-1 with BGP-IPVPN"
    interface "loopback" create
      address 172.16.1.1/32

# on PE-2: 172.16.1.2/32
```

```

    loopback
    exit
    bgp-ipvpn
    mpls
        auto-bind-tunnel
        resolution-filter
        sr-te
        no bgp
    exit
    resolution filter
    exit
    route-distinguisher 192.0.2.1:1      # on PE-2: 192.0.2.2:1
    vrf-target target:64500:1
    no shutdown
    exit
    exit
    no shutdown

```

EVPN-IFL VPRN-2 is configured as follows:

```

# on PE-1:
configure
  service
    vprn 2 name "VPRN-2" customer 1 create
    description "VPRN-2 with EVPN-IFL"
    interface "loopback" create
    address 172.16.2.1/32          # on PE-2: 172.16.2.2/32
    loopback
    exit
    bgp-evpn
    mpls
        auto-bind-tunnel
        resolution-filter
        sr-te
    exit
    resolution filter
    exit
    route-distinguisher 192.0.2.1:2    # on PE-2: 192.0.2.2:2
    vrf-target target:64500:2
    no shutdown
    exit
    exit
    no shutdown

```

The BGP next hop is resolved for VPRN-1 and VPRN-2, as follows:

```

*A:PE-1# show router bgp next-hop vpn-ipv4
=====
BGP Router ID:192.0.2.1      AS:64500      Local AS:64500
=====

BGP VPN Next Hop
=====
VPN Next Hop
Autobind                      FibProg Reason
Labels (User-labels)         FlexAlgo Metric
Admin-tag-policy (strict-tunnel-tagging) Last Mod.
-----
192.0.2.2
sr-te                          Y          SR_TE
-- (2)                         --         10
-- (N)                         --         00h01m45s

```

```

-----
Next Hops : 1
=====
*A:PE-1# show router bgp next-hop evpn service-id 2
=====
BGP Router ID:192.0.2.1      AS:64500      Local AS:64500
=====
BGP VPN Next Hop
=====
VPN Next Hop      Owner
Autobind          FibProg Reason
Labels (User-labels) FlexAlgo Metric
Admin-tag-policy (strict-tunnel-tagging) Last Mod.
-----
192.0.2.2      SR_TE
sr-te          Y
-- (2)         -- 10
-- (N)         00h01m45s
-----
Next Hops : 1
=====

```

The number of user labels is 2 and corresponds to the sum of the service label and OAM label.

The route table for VPRN-1 on PE-1 shows that the BGP VPN-IPv4 route to 172.16.1.2/32 uses an SR-TE tunnel with ID 655362 to PE-2, as follows:

```

*A:PE-1# show router service-name "VPRN-1" route-table
=====
Route Table (Service: 1)
=====
Dest Prefix[Flags]      Type  Proto  Age      Pref
Next Hop[Interface Name]      Metric
-----
172.16.1.1/32          Local  Local  00h02m46s  0
loopback              0
172.16.1.2/32          Remote BGP VPN 00h02m42s 170
192.0.2.2 (tunneled:SR-TE:655362) 10
-----
No. of Routes: 2
Flags: n = Number of times nexthop is repeated
      B = BGP backup route available
      L = LFA nexthop available
      S = Sticky ECMP requested
=====

```

The route table for VPRN-2 on PE-1 shows that the EVPN-IFL route to 172.16.2.2/32 also uses the SR-TE tunnel with ID 655362 to PE-2, as follows:

```

*A:PE-1# show router service-name "VPRN-2" route-table
=====
Route Table (Service: 2)
=====
Dest Prefix[Flags]      Type  Proto  Age      Pref
Next Hop[Interface Name]      Metric
-----
172.16.2.1/32          Local  Local  00h02m46s  0
-----

```

```

loopback                                0
172.16.2.2/32                            Remote  EVPN-IFL  00h02m42s  170
192.0.2.2 (tunneled:SR-TE:655362)        10
-----
No. of Routes: 2
Flags: n = Number of times nexthop is repeated
      B = BGP backup route available
      L = LFA nexthop available
      S = Sticky ECMP requested
=====

```

The following illustrates that the BGP next hop cannot be resolved in a VPRN when the number of labels configured in the SR-TE LSP exceeds 10. In this example, the label stack size is increased to 9, while the number of additional FRR labels remains 2, as follows:

```

# on PE-1:
configure
router Base
mpls
  lsp "to-PE-2-empty"                # on PE-2: "to-PE-1-empty"
  max-sr-labels 9 additional-frr-labels 2
  exit
  lsp "to-PE-2-strict"              # on PE-2: "to-PE-1-strict"
  max-sr-labels 9 additional-frr-labels 2
  exit

```

The following shows that the BGP next hop cannot be resolved for the IP-VPN VPRN-1:

```

*A:PE-1# show router bgp next-hop vpn-ipv4
=====
BGP Router ID:192.0.2.1      AS:64500      Local AS:64500
=====

BGP VPN Next Hop
=====
VPN Next Hop                Owner
Autobind                    FibProg Reason
Labels (User-labels)        FlexAlgo Metric
Admin-tag-policy (strict-tunnel-tagging)  Last Mod.
-----
192.0.2.2
sr-te                        N          LabelStackLimit
-- (2)                       --
-- (N)                       00h00m27s
-----
Next Hops : 1
=====

```

The route is not programmed in the FIB because of a LabelStackLimit error.

In a similar way, the BGP next hop cannot be resolved for the EPVN-IFL VPRN-2, as follows:

```

*A:PE-1# show router bgp next-hop evpn service-id 2
=====
BGP Router ID:192.0.2.1      AS:64500      Local AS:64500
=====

BGP VPN Next Hop
=====
VPN Next Hop                Owner

```

Autobind Labels (User-labels) Admin-tag-policy (strict-tunnel-tagging)	FibProg FlexAlgo	Reason Metric Last Mod.

192.0.2.2		--
sr-te	N	LabelStackLimit
-- (2)	--	
-- (N)		00h00m27s

Next Hops : 1		
=====		

The route table for VPRN-1 does not contain a route to 172.16.1.2/32 anymore; only the local route remains, as follows:

```
*A:PE-1# show router service-name "VPRN-1" route-table
=====
Route Table (Service: 1)
=====
Dest Prefix[Flags]          Type  Proto  Age      Pref
  Next Hop[Interface Name]           Metric
-----
172.16.1.1/32              Local  Local  00h03m38s  0
  loopback                  0
-----
No. of Routes: 1
Flags: n = Number of times nexthop is repeated
       B = BGP backup route available
       L = LFA nexthop available
       S = Sticky ECMP requested
=====
```

In a similar way, the route table for VPRN-2 contains only the local route, as follows:

```
*A:PE-1# show router service-name "VPRN-2" route-table
=====
Route Table (Service: 2)
=====
Dest Prefix[Flags]          Type  Proto  Age      Pref
  Next Hop[Interface Name]           Metric
-----
172.16.2.1/32              Local  Local  00h03m38s  0
  loopback                  0
-----
No. of Routes: 1
Flags: n = Number of times nexthop is repeated
       B = BGP backup route available
       L = LFA nexthop available
       S = Sticky ECMP requested
=====
```

If the OAM label is not required, the **dynamic-egress-label-limit** command can be enabled in the VPRN services, as follows:

```
# on PE-1, PE-2:
configure
  service
    vprn "VPRN-1"
      bgp-ipvpn
```

```

mpls
  dynamic-egress-label-limit
exit
exit
vprn "VPRN-2"
  bgp-evpn
  mpls
  dynamic-egress-label-limit
exit
exit
exit

```

The ILER can push 12 labels: 1 service label and 11 transport labels. The BGP next hop can be resolved for VPRN-1, as follows:

```

*A:PE-1# show router bgp next-hop vpn-ipv4 service-id 1
=====
BGP Router ID:192.0.2.1      AS:64500      Local AS:64500
=====

BGP VPN Next Hop
=====
VPN Next Hop      Owner
Autobind          FibProg Reason
Labels (User-labels) FlexAlgo Metric
Admin-tag-policy (strict-tunnel-tagging) Last Mod.
-----
192.0.2.2        SR_TE
sr-te            Y
-- (1)          -- 10
-- (N)          00h00m10s
-----
Next Hops : 1
=====

```

The number of user labels is 1 and only the service label is accounted for.

In a similar way, the BGP next hop can be resolved for VPRN-2 and the number of user labels is 1, as follows:

```

*A:PE-1# show router bgp next-hop evpn service-id 2
=====
BGP Router ID:192.0.2.1      AS:64500      Local AS:64500
=====

BGP VPN Next Hop
=====
VPN Next Hop      Owner
Autobind          FibProg Reason
Labels (User-labels) FlexAlgo Metric
Admin-tag-policy (strict-tunnel-tagging) Last Mod.
-----
192.0.2.2        SR_TE
sr-te            Y
-- (1)          -- 10
-- (N)          00h00m10s
-----
Next Hops : 1
=====

```


The following shows that the **dynamic-egress-label-limit** command is enabled for IP-VPN VPRN-1:

```
*A:PE-1# show service id "VPRN-1" bgp-ipvpn
=====
Service 1 BGP-IPVPN MPLS Information
=====
Admin State      : Up                Oper State      : Up
VRF Import      : None
VRF Export      : None
Route Dist.     : None
Oper Route Dist : 192.0.2.1:1
Oper RD Type    : configured
Route Target    : target:64500:1
Route Target Impor: None
Route Target Expor: None
Domain-Id      : None
Dyn Egr Lbl Limit : Enabled

Auto-Bind Tunnel
Resolution      : filter                Strict Tnl Tag  : False
ECMP           : 1                    Flex Algo FB    : False
Weighted ECMP  : False
BGP Instance   : 1
Filter Tunnel Type: sr-te
=====
```

The following shows that the **dynamic-egress-label-limit** command is enabled for EVPN-IFL VPRN-2:

```
*A:PE-1# show service id "VPRN-2" bgp-evpn
=====
BGP EVPN MPLS Table
=====
Admin State      : Up                Oper State      : Up
VRF Import      : None
VRF Export      : None
Route Dist.     : 192.0.2.1:2
Oper Route Dist : 192.0.2.1:2
Oper RD Type    : configured
Route Target    : target:64500:2
Route Target Import: None
Route Target Export: None
Default Route Tag : None
Domain-Id      : None
Dyn Egr Lbl Limit : Enabled
EVI           : 0

Advertise       : Disabled
Weighted ECMP  : Disabled

Auto-Bind Tunnel
Resolution      : filter                Strict Tnl Tag  : False
ECMP           : 1                    Flex Algo FB    : False
Bgp Instance   : 1
Filter Tunnel Types: sr-te

Tunnel Encap
MPLS           : True                 MPLSoUDP       : False
=====
```

EVPN VPWS services

Epipe-3 is configured as follows:

```
# on PE-1:
configure
service
  epipe 3 name "Epipe-3" customer 1 create
  bgp 1
  exit
  bgp-evpn
    local-attachment-circuit ac-1 create      # on PE-2: ac-2
    eth-tag 1                                # on PE-2: eth-tag 2
  exit
  remote-attachment-circuit ac-2 create      # on PE-2: ac-1
  eth-tag 2                                  # on PE-2: eth-tag 1
  exit
  evi 3
  mpls bgp 1
    auto-bind-tunnel
    resolution-filter
    sr-te
    exit
    resolution filter
  exit
  no shutdown
  exit
  exit
  sap 1/1/c10/1:3 create
  description "SAP to CE"
  no shutdown
  exit
  no shutdown
```

Layer 2 services, such as EVPN VPWS or EVPN VPLS services, cannot have the same number of labels in the stack as for VPRN services. A LabelStackLimit error causes Epipe-3 to be in an operationally down state, as follows:

```
*A:PE-1# show service service-using epipe

=====
Services [epipe]
=====
ServiceId   Type      Adm  Opr  CustomerId  Service Name
-----
3           Epipe    Up   Down  1           Epipe-3
-----
Matching Services : 1
=====
```

The following output shows that the BGP next hop cannot be resolved because of a LabelStackLimit error. By default, the number of user labels is 3 and accounts for 1 for the service label, 1 for the ESI label, and 1 for the control word, as follows:

```
*A:PE-1# show router bgp next-hop evpn service-id 3

=====
BGP Router ID:192.0.2.1      AS:64500      Local AS:64500
=====
```

```

=====
BGP VPN Next Hop
=====
VPN Next Hop                               Owner
Autobind                                   FibProg Reason
Labels (User-labels)                       FlexAlgo Metric
Admin-tag-policy (strict-tunnel-tagging)    Last Mod.
-----
192.0.2.2
sr-te                                       N      LabelStackLimit
-- (3)                                     --
-- (N)                                     00h00m07s
-----
Next Hops : 1
=====

```

For EVPN VPWS and EVPN VPLS services, the ILER can push 10 labels, including the service label, ESI label, and control word; therefore, the sum of the label stack size and the additional FRR labels cannot exceed $10 - 3 = 7$ transport labels. However, when the service is configured with **dynamic-egress-label-limit**, only the service label must be accounted for and the number of transport labels can be $10 - 1 = 9$. The SR-TE LSPs are configured with a label stack size of 9 and without additional FRR labels; the Epipe service is configured with **dynamic-egress-label-limit**, as follows:

```

# on PE-1:
configure
router Base
mpls
  lsp "to-PE-2-empty"                # on PE-2: "to-PE-1-empty"
  max-sr-labels 9 additional-frr-labels 0
  exit
  lsp "to-PE-2-strict"              # on PE-2: "to-PE-1-strict"
  max-sr-labels 9 additional-frr-labels 0
  exit
exit
exit
service
  epipe "Epipe-3"
  bgp-evpn
  mpls
  dynamic-egress-label-limit
  exit

```

The BGP next hop is now resolved and the route is programmed in the FIB. The number of user labels is 1 for the service label, as follows:

```

*A:PE-1# show router bgp next-hop evpn service-id 3
=====
BGP Router ID:192.0.2.1      AS:64500      Local AS:64500
=====

=====
BGP VPN Next Hop
=====
VPN Next Hop                               Owner
Autobind                                   FibProg Reason
Labels (User-labels)                       FlexAlgo Metric
Admin-tag-policy (strict-tunnel-tagging)    Last Mod.
-----
192.0.2.2
sr-te                                       Y      SR_TE

```

```
-- (1) -- 10
-- (N) -- 00h01m21s
-----
Next Hops : 1
=====
```

Epipe-3 is now in an operationally up state, as follows:

```
*A:PE-1# show service service-using epipe
=====
Services [epipe]
=====
ServiceId   Type      Adm  Opr  CustomerId Service Name
-----
3           Epipe    Up   Up   1          Epipe-3
-----
Matching Services : 1
-----
=====
```

From Epipe-3 on PE-1, the BGP EVPN-MPLS destination 192.0.2.2 can be reached via an SR-TE tunnel with ID 655362, as follows:

```
*A:PE-1# show service id "Epipe-3" evpn-mpls
=====
BGP EVPN-MPLS Dest (Instance 1)
=====
TEP Address                Egr Label          Last Change
                          Transport:Tnl-id
-----
192.0.2.2                  524284             02/15/2024 07:58:36
                          sr-te:655362
-----
Number of entries : 1
-----
-----
---snip---
```

EVPN VPLS services

On PE-1 and PE-2, EVPN VPLS "VPLS-4" is configured:

```
# on PE-1:
configure
  service
    vpls 4 name "VPLS-4" customer 1 create
    bgp 1
    exit
    bgp-evpn
    evi 4
    mpls bgp 1
    ingress-replication-bum-label
    ecmp 2
    auto-bind-tunnel
    resolution-filter
    sr-te
    exit
```

```

        resolution filter
        exit
        no shutdown
    exit
exit
stp
    shutdown
exit
sap 1/1/c10/1:4 create
    description "SAP to CE-41"          # on PE-2: "SAP to CE-42"
    no shutdown
exit
no shutdown
    
```

The maximum number of transport labels in EVPN VPLS services is the same as for EVPN VPWS services. By default, the ILER can push a maximum of $10 - 3 = 7$ transport labels. The SR-TE LSPs are configured with a label stack size of 9 labels; therefore, a LabelStackLimit error occurs and the BGP next hop cannot be resolved. The number of user labels is 3 and accounts for 1 for the service label, 1 for the ESI label, and 1 for the control word, as follows:

```

*A:PE-1# show router bgp next-hop evpn service-id 4
=====
BGP Router ID:192.0.2.1      AS:64500      Local AS:64500
=====

BGP VPN Next Hop
=====
VPN Next Hop      Owner
Autobind          FibProg Reason
Labels (User-labels) FlexAlgo Metric
Admin-tag-policy (strict-tunnel-tagging) Last Mod.
-----
192.0.2.2
sr-te             N             LabelStackLimit
-- (3)           --
-- (N)           00h00m26s
-----
Next Hops : 1
=====
    
```

The number of available transport labels can be increased when **dynamic-egress-label-limit** is enabled on PE-1 and PE-2, as follows:

```

# on PE-1, PE-2:
configure
  service
    vpls "VPLS-4"
    bgp-evpn
    mpls
    dynamic-egress-label-limit
    
```

With this configuration, only the service label is accounted for and the number of user labels is reduced to 1. The BGP next hop can be resolved, as follows:

```

*A:PE-1# show router bgp next-hop evpn service-id 4
=====
BGP Router ID:192.0.2.1      AS:64500      Local AS:64500
=====
    
```

```

=====
BGP VPN Next Hop
=====
VPN Next Hop                               Owner
Autobind                                   FibProg Reason
Labels (User-labels)                       FlexAlgo Metric
Admin-tag-policy (strict-tunnel-tagging)    Last Mod.
-----
192.0.2.2                                   SR_TE
sr-te                                       Y
-- (1)                                     -- 10
-- (N)                                     00h04m32s
-----
Next Hops : 1
=====

```

The following EVPN-MPLS destinations are established in VPLS-4 on PE-1:

```

*A:PE-1# show service id "VPLS-4" evpn-mpls

=====
BGP EVPN-MPLS Dest (Instance 1)
=====
TEP Address                Transport:Tnl    Egr Label  Oper  Mcast  Num
                               State           MACs
-----
192.0.2.2                  sr-te:655362    524282     Up    bum    0
192.0.2.2                  sr-te:655362    524283     Up    none   1
-----
Number of entries: 2
-----
---snip---

```

EVPN-IFF services

The R-VPLS configuration on PE-1 is as follows:

```

# on PE-1:
configure
  service
    vpls 6 name "R-VPLS-6" customer 1 create
      description "R-VPLS 6 - broadcast domain 1"
      allow-ip-int-bind
      exit
      stp
        shutdown
      exit
      sap 1/1/c10/1:6 create
        description "SAP to CE-61"
        no shutdown
      exit
      no shutdown
    exit
    vprn 66 name "ip-vrf-66" customer 1 create
      interface "int-sbd-600" create          # toward PE-2
        address 10.0.6.1/24
        mac 00:00:00:00:60:01
        vpls "sbd-600"
      exit

```

```

exit
interface "int-R-VPLS-6" create          # toward BD 1 with local CEs
  address 172.16.6.1/24
  mac 00:00:00:16:06:01
  vrrp 1 passive
    backup 172.16.6.254
    ping-reply
    traceroute-reply
  exit
  vpls "R-VPLS-6"
  exit
exit
no shutdown
exit
vpls 600 name "sbd-600" customer 1 create
  description "supplementary broadcast domain R-VPLS 600"
  allow-ip-int-bind
  exit
  bgp
    route-distinguisher 192.0.2.1:600
  exit
  bgp-evpn
    ip-route-advertisement
    evi 600
    mpls bgp 1
      auto-bind-tunnel
      resolution-filter
        sr-te
      exit
      resolution filter
    exit
    no shutdown
  exit
exit
stp
  shutdown
exit
no shutdown
exit

```

The R-VPLS configuration on PE-2 is similar.

For R-VPLS services, the ILER can push a maximum of 9 labels, including the service label and control word. By default, a maximum of 7 transport labels can be pushed. When **dynamic-egress-label-limit** is enabled in the R-VPLS, a maximum of 8 transport labels are available. The SR-TE LSPs are configured with a label stack size of 8 labels and **dynamic-egress-label-limit** is enabled in R-VPLS "sbd-600", as follows:

```

# on PE-1:
configure
  router Base
    mpls
      lsp "to-PE-2-empty"          # on PE-2: lsp "to-PE-1-empty"
        max-sr-labels 8 additional-frr-labels 0
      exit
      lsp "to-PE-2-strict"        # on PE-2: lsp "to-PE-1-strict"
        max-sr-labels 8 additional-frr-labels 0
      exit
    exit
  exit
  service
    vpls "sbd-600"

```

```

    bgp-evpn
      mpls
        dynamic-egress-label-limit
      exit
    exit

```

The BGP next hop can be resolved in R-VPLS "sbd-600", as follows:

```

*A:PE-1# show router bgp next-hop evpn service-id 600
=====
BGP Router ID:192.0.2.1      AS:64500      Local AS:64500
=====
BGP VPN Next Hop
=====
VPN Next Hop
Autobind                    FibProg  Reason
Labels (User-labels)       FlexAlgo Metric
Admin-tag-policy (strict-tunnel-tagging)  Last Mod.
-----
192.0.2.2
sr-te                        Y        SR_TE
rvpls (1)                   --      10
-- (N)                      00h00m58s
-----
Next Hops : 1
=====

```

The following EVPN-MPLS destination is established in R-VPLS "sbd-600":

```

*A:PE-1# show service id "sbd-600" evpn-mpls
=====
BGP EVPN-MPLS Dest (Instance 1)
=====
TEP Address                Transport:Tnl    Egr Label  Oper  Mcast  Num
                        State           MACs
-----
192.0.2.2                  sr-te:655362    524286    Up    bum    1
-----
Number of entries: 1
-----
---snip---

```

EVPN PBB services

The configuration for B-VPLS and I-VPLS is as follows:

```

# on PE-1:
configure
  service
    vpls 500 name "B-VPLS-500" customer 1 b-vpls create
    service-mtu 2000
    pbb
      source-bmac 00:00:00:00:00:01
    exit
  bgp

```



```

exit
bgp-evpn
  evi 500
  mpls bgp 1
    auto-bind-tunnel
    resolution-filter
      sr-te
    exit
  resolution filter
  exit
  no shutdown
exit
exit
stp
  shutdown
exit
no shutdown
exit
vpls 5 name "I-VPLS-5" customer 1 i-vpls create
  pbb
    backbone-vpls 500
  exit
exit
stp
  shutdown
exit
sap 1/1/c10/1:5 create
  description "SAP to CE-51" # on PE-2: SAP to CE-52
  no shutdown
exit
no shutdown
exit

```

The SR-TE LSPs are configured with a label stack size of 8 labels; therefore, a LabelStackLimit error occurs for the B-VPLS and the BGP next hop cannot be resolved, as follows:

```

*A:PE-1# show router bgp next-hop evpn service-id 500
=====
BGP Router ID:192.0.2.1      AS:64500      Local AS:64500
=====
BGP VPN Next Hop
=====
VPN Next Hop
Autobind                      FibProg  Owner
Labels (User-labels)         FlexAlgo Reason
Admin-tag-policy (strict-tunnel-tagging) Last Mod.
-----
192.0.2.2
sr-te                          N        LabelStackLimit
bvpls (2)                      --
-- (N)                          00h01m13s
-----
Next Hops : 1
=====

```

The LER can only push maximum 6 labels for the B-VPLS, including the service label and the control word. By default, only 4 transport labels are available when no options are used. When **dynamic-egress-label-limit** is enabled in the B-VPLS, only the service label is accounted for and maximum 5 labels are available

for transport. The SR-TE LSPs are configured with a label stack size of 5 and **dynamic-egress-label-limit** is enabled in the B-VPLS:

```
# on PE-1:
configure
router Base
  mpls
    lsp "to-PE-2-empty" # on PE-2: LSP "to-PE-1-empty"
      max-sr-labels 5 additional-frr-labels 0
    exit
    lsp "to-PE-2-strict" # on PE-2: LSP "to-PE-1-strict"
      max-sr-labels 5 additional-frr-labels 0
    exit
  exit
exit
service
  vpls "B-VPLS-500"
    bgp-evpn
      mpls
        dynamic-egress-label-limit
      exit
  exit
```

The BGP next hop can now be resolved for the B-VPLS, as follows:

```
*A:PE-1# show router bgp next-hop evpn service-id 500
=====
BGP Router ID:192.0.2.1      AS:64500      Local AS:64500
=====

BGP VPN Next Hop
=====
VPN Next Hop      Owner
Autobind          FibProg Reason
Labels (User-labels) FlexAlgo Metric
Admin-tag-policy (strict-tunnel-tagging) Last Mod.
-----
192.0.2.2        SR_TE
sr-te            Y
bvpls (1)        --      10
-- (N)           00h00m10s
-----
Next Hops : 1
=====
```

In B-VPLS-500 on PE-1, the EVPN-MPLS destination 192.0.2.2 can be reached via an SR-TE tunnel with ID 655362, as follows:

```
*A:PE-1# show service id "B-VPLS-500" evpn-mpls
=====
BGP EVPN-MPLS Dest (Instance 1)
=====
TEP Address      Transport:Tnl      Egr Label      Oper Mcast      Num
State           State             State          State          MACs
-----
192.0.2.2        sr-te:655362      524279         Up    bum          1
-----
Number of entries: 1
=====
```

```
---snip---
```

Conclusion

Flexible SR-TE label stack allocation can increase the number of available transport labels in services when OAM labels, ESI labels, or control word are not used.

Inter-AS Model C VPRN Using MPLS Forwarding Policies and Segment Routing Policies

This chapter provides information about Inter-AS Model C VPRN using MPLS Forwarding Policies and Segment Routing Policies.

Topics in this chapter include:

- [Applicability](#)
- [Overview](#)
- [Configuration](#)
- [Conclusion](#)

Applicability

The information and configuration in this chapter are based on SR OS Release 21.7.R1. MPLS label binding forwarding policies and segment routing policies are supported in SR OS Release 16.0.R1, or later. MPLS endpoint forwarding policies and ECMP are supported in SR OS Release 16.0.R4, or later.

Overview

In this configuration, MPLS forwarding policies are combined with segment routing policies. In the remainder of this chapter, SR refers to "Segment Routing", unless specified otherwise. Product and release references, such as 7750 SR and SR OS, continue to refer to "Service Router".

MPLS forwarding policies

SR OS uses the following table management to forward packets:

- Route Table Manager (RTM) for IP packets matching IP route prefixes in the Global Route Table (GRT) that resolve to IP next-hops or tunnel next-hops (for IGP shortcuts).
- Tunnel Table Manager (TTM) containing Next-Hop Label Forwarding Entries (NHLFEs) to forward IP packets for routes in GRT or VPRN using tunnels. The resolved next-hop of the IP packet is matched to the far-end address of the TTM entry.
- Incoming Label Map (ILM) containing labels matching a specific Forwarding Equivalence Class (FEC), such that packets with this label are sent to the destination of the FEC.

The ILM tunnel is programmed via the service module, the MPLS module, and various control plane protocols supporting labeled tunnels or FECs. The GRT and TTM provide some flexibility, but do not allow customization, such as the ability to create specific sets of IP direct next-hops, IP indirect next-hops, or tunnel next-hops for a specific set of flows or prefixes. For more flexibility, the following can be configured:

- static routes

- traffic steering; for example, using Openflow, and Policy-Based Routing (PBR)
- MPLS forwarding policies

MPLS forwarding policies establish Static Label Routes (SLRs). The binding label of the forwarding policy is popped when matched on an incoming packet. If no pushed label is configured, then it becomes a swap to implicit-null, which is essentially a pop operation. After the incoming label is popped, the exposed packet payload (or the next label after the top label is removed) is forwarded via the configured next-hop of the MPLS forwarding policy. The next-hop is looked up in the route table and can be direct or indirect. A direct next-hop is an attached local interface; an indirect next-hop is a resolved route.

MPLS label-binding forwarding policies use labels from a reserved label block also known as a Segment Routing Local Block (SRLB), whereas node SIDs in segment routing use the Segment Routing Global Block (SRGB) instead. An SRLB is used for the following:

- static adjacency SIDs
- adjacency set SIDs
- SR policy binding SIDs (BSIDs)
- MPLS forwarding policy binding labels

MPLS forwarding policies allow the forwarding of packets over a set of user-defined next-hops: either direct next-hops (with option to push a label stack) or indirect next-hops.

MPLS forwarding policies are validated as follows:

- the binding label must be in the label range of the defined reserved label block (SRLB) and it must be unused; the same label cannot be allocated more than once
- the direct next-hop interfaces must be up
- the indirect next-hops must be reachable

MPLS forwarding policies work in one of two modes:

- ILM mode: label binding policy for labeled packets
- LTN mode: endpoint policy for unlabeled packets (this is beyond the scope of this chapter)

The data model of a forwarding policy represents the primary and the backup next-hop as a Next-Hop Group (NHG) and models the ECMP as the set of NHGs. Flows of prefixes can be switched on a per-NHG basis -without disturbing flows forwarded over other NHGs of the policy- from the failing primary next-hop to the backup next-hop or from the backup next-hop to the restored primary next-hop.

SR policies

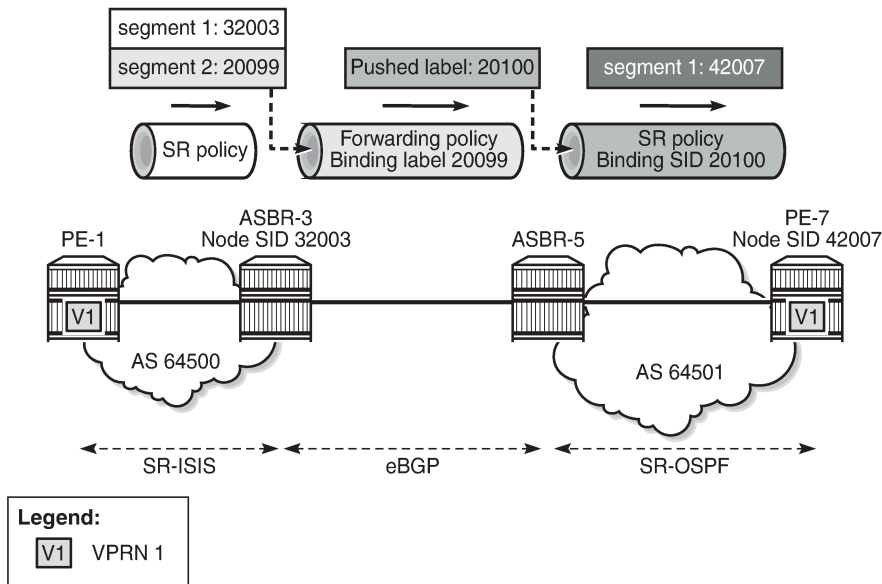
SR policies contain a list of MPLS labels in the form of a segment list that instantiates Segment Routing - Traffic Engineering (SR-TE) Label Switched Paths (LSPs) to a network endpoint and are described in the SR policies chapter.

Inter-AS VPRN Model C using an MPLS forwarding policy and SR policies

One typical application to use MPLS forwarding policies together with SR policies is an example of static Egress Peer Engineering (EPE); a head-end PE in AS1 can steer traffic toward AS2 using a specific AS2 next-hop node.

In the following example, an MPLS forwarding policy is configured on the Autonomous System Border Routers (ASBRs) in an inter-AS VPRN scenario. [Figure 9: Inter-AS VPRN Model C using MPLS forwarding policy and SR policies](#) shows the labels added to a packet sent by VPRN 1 on PE-1 in AS 64500 to VPRN 1 on PE-7 in AS 64501.

Figure 9: Inter-AS VPRN Model C using MPLS forwarding policy and SR policies



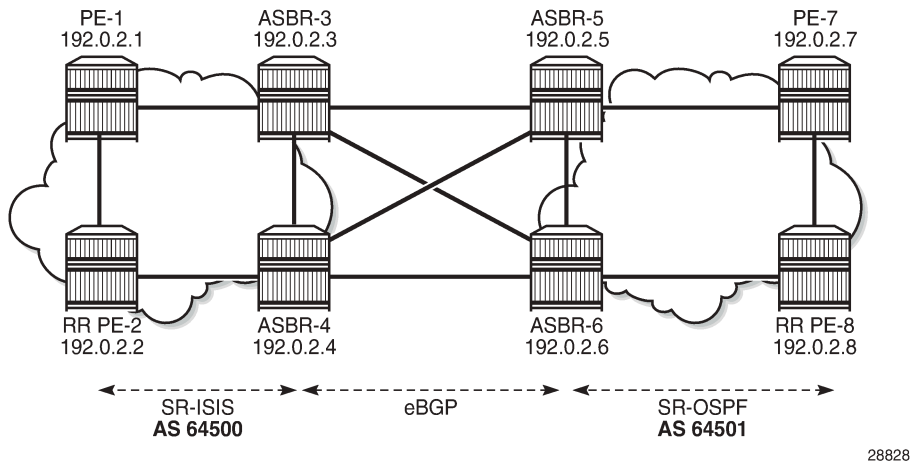
28827

An SR policy on PE-1 pushes two labels: label 32003 from the SRGB for segment routing to SID 32003 of ASBR-3, and label 20099 from the SRLB corresponding to the binding label of the MPLS forwarding policy to be used in ASBR-3. In ASBR-3, these labels are popped and the MPLS forwarding policy is applied. This MPLS forwarding policy forwards the packet to ASBR-5 and pushes a binding label 20100 from the SRLB on ASBR-5, which identifies the SR policy to be used on ASBR-5. In ASBR-5, label 20100 is popped and an SR policy with binding SID 20100 is applied. This SR policy pushes label 42007, which is the SID of PE-7.

Configuration

[Figure 10: Example topology](#) shows the example topology with four routers in AS 64500 and four routers in AS 64501. SR-ISIS is configured in AS 64500, while SR-OSPF is configured in AS 64501. The SR policies are configured within the ASs, whereas the MPLS forwarding policies are used to set up tunnels between the ASBRs.

Figure 10: Example topology



The initial configuration includes:

- Cards, MDAs, ports
- Router interfaces
- IS-IS as IGP between the routers in AS 64500; OSPF between the routers in AS 64501

Segment routing

SR-ISIS is configured in AS 64500. The following SR-ISIS configuration on PE-1 shows that the prefix SIDs are taken from the SRGB, which uses labels from 32000 to 32999, and the scope of the router capability advertisement is the area. The system interface has SID index 1, so the node SID label will be start label + index = 32000 + 1 = 32001.



Note:

The SRGB block does not need to have the same start value and end value on each router in the AS, but it must have the same size, that is, the same number of labels in the SRGB.

```
# on PE-1:
configure
router
  autonomous-system 64500
  mpls-labels
    sr-labels start 32000 end 32999      # SRGB block definition AS 64500
  exit
  isis      # IS-IS in the AS 64500; OSPF in ASs 64501
    level-capability level-2
    advertise-router-capability area
    segment-routing
      prefix-sid-range global
      no shutdown
    exit
    area-id 49.0001
    traffic-engineering
    interface "system"
      ipv4-node-sid index 1
    exit
```

```

        interface "int-PE-1-PE-2"
            interface-type point-to-point
        exit
        interface "int-PE-1-ASBR-3"
            interface-type point-to-point
        exit
        no shutdown
    exit
exit
exit
exit

```

The IS-IS configuration is similar on the other routers in AS 64500; the node SID index is different. On the routers in AS 64501, SR-OSPF is configured instead. The SR-OSPF configuration on PE-7 is as follows:

```

# on PE-7:
configure
router
    autonomous-system 64501
    mpls-labels
        sr-labels start 42000 end 42999        # SRGB block definition AS 64501
    exit
    ospf
        traffic-engineering
        advertise-router-capability area
        segment-routing
            prefix-sid-range global
            no shutdown
        exit
        area 0.0.0.0
            interface "system"
                node-sid index 7
            exit
            interface "int-PE-7-ASBR-5"
                interface-type point-to-point
            exit
            interface "int-PE-7-PE-8"
                interface-type point-to-point
            exit
        exit
        no shutdown
    exit
exit
exit
exit

```

The OSPF configuration is similar on the other routers in AS 64501; the node SID index is different.

Inter-AS VPRN Model C

The configuration of inter-AS Model C VPRNs is described in the *Inter-AS VPRN Model C* chapter. PE-2 acts as the Route Reflector (RR) for the "iBGP_grp" group in AS 64500; in AS 64501, PE-8 acts as the RR. Between AS 64500 and AS 64501, eBGP is configured on the ASBRs.

The RR addresses need to be advertised between the ASs. This can be done using IPv4 or labeled IPv4 (with next-hop resolution enabled). No other PE system addresses need to be advertised.

On PE-1, the system IP address 192.0.2.1/32 need not be exported, because no recursive lookup is required. Instead, the VPRN will be configured with auto-bind to the SR policy and the SR policy tunnel can

resolve the next-hop of the VPN-IPv4 route. The following configuration shows the BGP configuration for address family VPN-IPv4 on PE-1:

```
# on PE-1:
configure
router
  bgp
    split-horizon
    group "iBGP_grp"
      family vpn-ipv4
      type internal
      neighbor 192.0.2.2
    exit
  exit
  no shutdown
exit
exit
exit
```

On the ASBRs, BGP is configured for the labeled IPv4 address family only. On ASBR-3 and ASBR-4, the BGP next-hop for the labeled IPv4 address family can be resolved using SR-ISIS within AS 64500; on ASBR-5 and ASBR-6, the next-hop can be resolved using SR-OSPF within AS 64501. The forwarding between the ASBRs is based on label-binding MPLS forwarding policies. On ASBR-3, BGP is configured as follows:

```
# on ASBR-3:
configure
router
  bgp
    split-horizon
    next-hop-resolution
      labeled-routes
        transport-tunnel
          family label-ipv4
            resolution-filter
              sr-isis
            exit
          resolution filter
        exit
      exit
    exit
  exit
  group "eBGP_grp"
    family label-ipv4
    local-as 64500
    peer-as 64501
    advertise-inactive
    neighbor 192.168.35.2
    exit
    neighbor 192.168.36.2
    exit
  exit
  group "iBGP_grp"
    family label-ipv4
    type internal
    neighbor 192.0.2.2
    exit
  exit
  no shutdown
exit
exit
```

```
exit
```

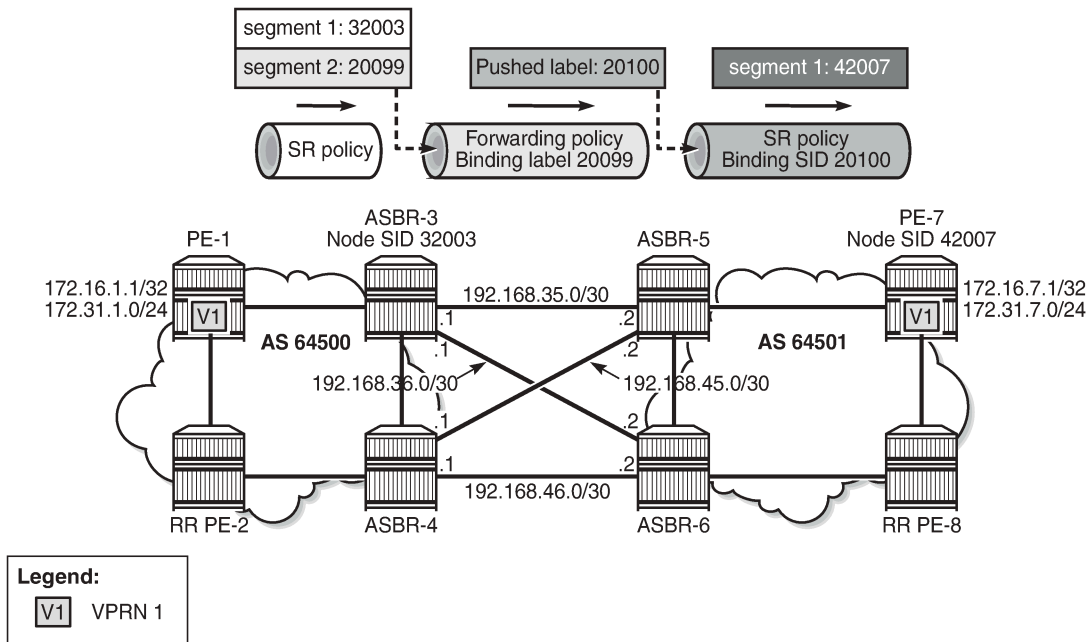
PE-2 is RR in AS 64500 and has a VPN-IPv4 session with PE-1 and labeled IPv4 sessions with both ASBR-3 and ASBR-4. The BGP next-hop for the labeled IPv4 family can be resolved using SR-ISIS. Between the RRs PE-2 and PE-8, a multi-hop eBGP session is established for the VPN-IPv4 address family. The BGP configuration on PE-2 is as follows:

```
# on PE-2:
configure
router
  bgp
    split-horizon
    next-hop-resolution
      labeled-routes
        transport-tunnel
          family label-ipv4
            resolution-filter
              sr-isis
            exit
          resolution filter
        exit
      exit
    exit
  group "iBGP_grp"
    type internal
    cluster 192.0.2.2 # PE-2 is RR in AS64500
    advertise-inactive
    neighbor 192.0.2.1
      family vpn-ipv4
    exit
    neighbor 192.0.2.3
      family label-ipv4
      export "sysPE_pol"
    exit
    neighbor 192.0.2.4
      family label-ipv4
      export "sysPE_pol"
    exit
  exit
  group "eBGP_grp"
    family vpn-ipv4
    type external
    multihop 10
    local-as 64500
    peer-as 64501
    local-address 192.0.2.2
    neighbor 192.0.2.8 # set up multihop session to remote RR
    exit
  exit
  no shutdown
exit
exit
exit
```

For this example, SR policies are used within an AS to resolve VPN-IPv4 next-hops using **auto-bind-tunnel**, whereas MPLS forwarding policies are used between ASs, on the ASBRs. However, SR policies can include a segment with a binding label value that identifies an MPLS forwarding policy defined in one of the local next-hop ASBRs (ASBR-3 or ASBR-4). In addition, MPLS forwarding policies can push a label identifying a BSID in an SR policy defined at the remote next-hop ASBR (ASBR-5 or ASBR-6).

Figure 11: Inter-AS VPRN using MPLS forwarding policy and SR policies: Traffic to PE-7 shows the example topology for an inter-AS VPRN Model C using MPLS forwarding policies and SR policies. For traffic from VPRN 1 on PE-1 to VPRN 1 on PE-7, PE-1 pushes two labels: segment 1 has label 32003, which is the node SID of ASBR-3, and label 20099, which is the binding label of an MPLS forwarding policy defined on ASBR-3. This MPLS forwarding policy on ASBR-3 pops incoming label 20099 and pushes label 20100, which corresponds to the BSID of an SR policy defined on ASBR-5 and ASBR-6. This SR policy pops incoming label 20100 and pushes label 42007, which is the node SID of PE-7.

Figure 11: Inter-AS VPRN using MPLS forwarding policy and SR policies: Traffic to PE-7



28830

SR policies -like MPLS forwarding policies- use labels from an SRLB, which is a pool of labels defined as follows:

```
#on PE-1:
configure
router
  mpls-labels
    reserved-label-block "SRLB1"
      start-label 20000 end-label 21999
    exit
  exit
exit
exit
exit
```

SR policies contain MPLS labels in a segment list that instantiates SR-TE LSPs to a network endpoint. This appears in the tunnel table as an SR policy tunnel. On PE-1, the following SR policy-with endpoint 192.0.2.7 in a remote AS-is configured with one segment list including two segments:

- segment 1 contains label 32003 referencing the node SID of ASBR-3.
- segment 2 contains label 20099 referencing the binding label that matches the MPLS forwarding policy used at ASBR-3.

There are two ways to steer a set of flows into an SR policy: either based on the BSID value or based on a match of color and endpoint.

In this case, for a VPRN with auto-bind-tunnel, the payload prefix (VPN-IPv4 route prefix) must contain a color community value that matches the color value of the SR-policy route, and the prefix BGP next-hop must also match the endpoint value of the SR-policy route.

In addition, the reserved label block SRLB1 must be referenced within the SR policy context because the configured BSID (20000) is checked against this label block.

```
# on PE-1:
configure
router
  segment-routing
  sr-policies
    reserved-label-block "SRLB1"
    static-policy "SR-static-policy-EP7" create
    binding-sid 20000
    color 100
    distinguisher 64500
    endpoint 192.0.2.7
    head-end local
    segment-list 1 create
      segment 1 create
        mpls-label 32003 # node SID of ASBR-3
      exit
      segment 2 create
        mpls-label 20099 # binding label of fwd-policy
      exit
    no shutdown
  exit
  no shutdown
exit
no shutdown
exit
no shutdown
exit
no shutdown
exit
```

On the ASBRs, MPLS forwarding policies are configured. Like SR policies (using BSID), the binding label is taken from reserved label block SRLB1, which is a pool of labels defined as follows:

```
# on ASBR-3:
configure
router
  mpls-labels
    reserved-label-block "SRLB1"
    start-label 20000 end-label 21999
  exit
exit
exit
exit
```

The reserved label block SRLB1 must be referenced within the MPLS forwarding policy context on each ASBR. The following MPLS forwarding policy is configured on ASBR-3 with binding label 20099, which maps to the segment 2 label defined in the SR policy on PE-1. The resolution type is set to direct, meaning that the next-hops are locally attached interface IP addresses. The primary next-hop 192.168.35.2 is on ASBR-5 and the backup next-hop 192.168.36.2 is on ASBR-6.

Within the MPLS forwarding policy on ASBR-3, the pushed label 20100 matches the BSID identifying the SR policy at the peer ASBRs (PE-5 and PE-6). In the MPLS forwarding policy on ASBR3, both the primary and backup next-hops are configured with the same pushed label 20100:

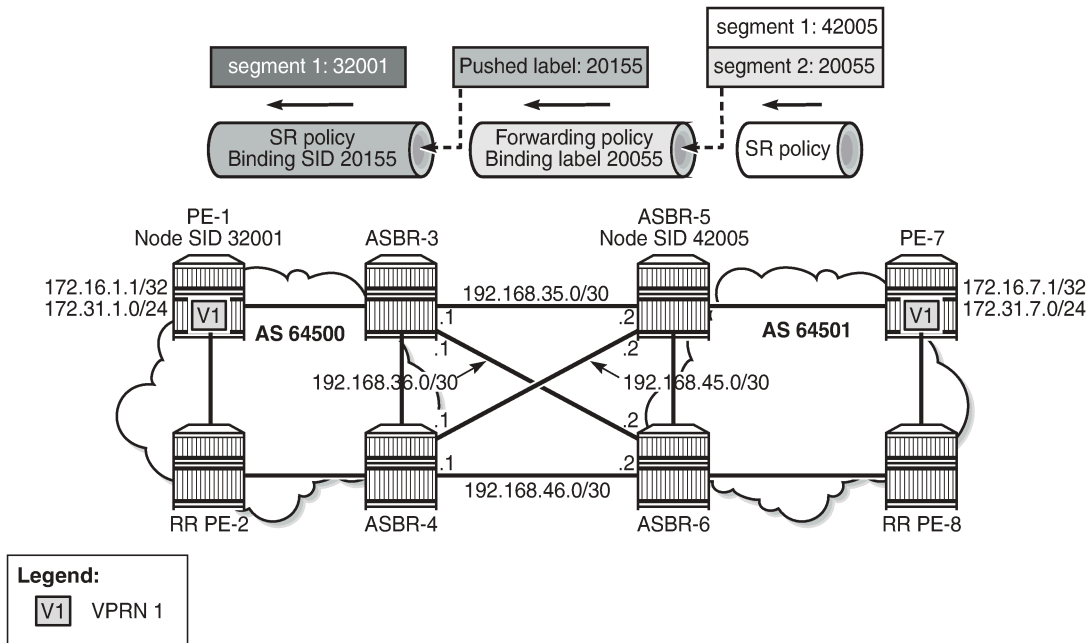
```
# on ASBR-3:
configure
router
  mpls
    forwarding-policies
      reserved-label-block "SRLB1"
      forwarding-policy "SLR-ILM-pushed-label"
      binding-label 20099
      revert-timer 5
      next-hop-group 1 resolution-type direct
        primary-next-hop
          next-hop 192.168.35.2
          pushed-labels 20100
        exit
        backup-next-hop
          next-hop 192.168.36.2
          pushed-labels 20100
        exit
      no shutdown
    exit
  no shutdown
exit
no shutdown
exit
no shutdown
exit
exit
exit
exit
exit
exit
```

On ASBR-5 and ASBR-6, the following SR policy with endpoint PE-7 and binding SID 20100 only contains one segment toward the node SID of PE-7:

```
# on ASBR-5:
configure
router
  segment-routing
    sr-policies
      reserved-label-block "SRLB1"
      static-policy "SR-static-policy-EP7" create
        binding-sid 20100
        color 100
        distinguisher 64501
        endpoint 192.0.2.7
        head-end local
        segment-list 1 create
          segment 1 create
            mpls-label 42007 # node SID of PE-7
          exit
        no shutdown
      exit
    no shutdown
  exit
no shutdown
exit
exit
exit
exit
exit
exit
```

In the opposite direction, the configuration is similar. [Figure 12: Inter-AS VPRN using MPLS forwarding policy and SR policies: Traffic to PE-1](#) shows the labels used for traffic from PE-7 to PE-1.

Figure 12: Inter-AS VPRN using MPLS forwarding policy and SR policies: Traffic to PE-1



28831

On PE-7, an SR policy is created with endpoint 192.0.2.1 and a segment list with two segments: segment 1 contains label 42005, which is the node SID of ASBR-5, and segment 2 contains label 20055 identifying the binding label in the MPLS forwarding policy at ASBR-5. The configured SR policy color is 100, so this applies for VPN-IPv4 routes with color extended community color:00:100.

```
# on PE-7:
configure
router
  segment-routing
  sr-policies
    reserved-label-block "SRLB1"
    static-policy "SR-static-policy-EP1" create
      binding-sid 20001
      color 100
      distinguisher 64501
      endpoint 192.0.2.1
      head-end local
      segment-list 1 create
        segment 1 create
          mpls-label 42005 # node SID of ASBR-5
        exit
        segment 2 create
          mpls-label 20055 # binding label of fwd-policy
        exit
      no shutdown
    exit
  no shutdown
exit
no shutdown
```

```

        exit
    exit
exit

```

On ASBR-5, both labels (42005 and 20055) are popped and the MPLS forwarding policy with binding label 20055 pushes label 20155 to the primary and backup next-hops. The configuration is as follows:

```

# on ASBR-5:
configure
  router
    mpls
      forwarding-policies
        reserved-label-block "SRLB1"
        forwarding-policy "SLR-ILM-pushed-label"
          binding-label 20055
          revert-timer 5
          next-hop-group 1 resolution-type direct
            primary-next-hop
              next-hop 192.168.35.1
              pushed-labels 20155
            exit
            backup-next-hop
              next-hop 192.168.45.1
              pushed-labels 20155
            exit
          no shutdown
        exit
      no shutdown
    exit
  no shutdown
exit

```

On ASBR-3 and ASBR-4, an SR policy with BSID 20155 is configured. The segment list only contains one segment, which is the node SID of PE-1.

```

# on ASBR-3:
configure
  router
    segment-routing
      sr-policies
        reserved-label-block "SRLB1"
        static-policy "SR-static-policy-EP1" create
          binding-sid 20155
          color 100
          distinguisher 64500
          endpoint 192.0.2.1
          head-end local
          segment-list 1 create
            segment 1 create
              mpls-label 32001 # node SID of PE-1
            exit
          no shutdown
        exit
      no shutdown
    exit
  no shutdown
exit

```

```

    exit
  exit
exit

```

On PE-1, VPRN 1 is configured with two loopback interfaces to test the traffic, as follows. The tunnel resolution filter within the service is set to **sr-policy**, configured explicitly. The configuration of VPRN 1 on PE-7 is similar, also with two loopback interfaces for test purposes: 17.16.7.1/32 and 172.31.7.1/24.

```

# on PE-1:
configure
  service
    vprn 1 name "VPRN 1" customer 1 create
      route-distinguisher 192.0.2.1:1
      auto-bind-tunnel
        resolution-filter
          sr-policy
        exit
      resolution filter
    exit
  vrf-target export target:64500:1 import target:64501:1
  interface "system" create
    address 172.16.1.1/32
    loopback
  exit
  interface "lol" create
    address 172.31.1.1/24
    loopback
  exit
  no shutdown
exit
exit
exit

```

The following tunnel table show command on PE-1 returns one tunnel toward PE-7: an SR policy tunnel with color 100.

```

*A:PE-1# show router tunnel-table 192.0.2.7
=====
IPv4 Tunnel Table (Router: Base)
=====
Destination      Owner      Encap TunnelId  Pref  Nexthop      Metric
Color
-----
192.0.2.7/32     sr-policy MPLS  917506   14    192.0.2.3    0
100
-----
Flags: B = BGP or MPLS backup hop available
      L = Loop-Free Alternate (LFA) hop available
      E = Inactive best-external BGP route
      k = RIB-API or Forwarding Policy backup hop
=====

```

The following command shows that the SR policy tunnel with tunnel ID 917506 has next-hop 192.0.2.3 and label 20099, which matches the binding label value of the configured MPLS forwarding policy at next-hop ASBR-3.

```

*A:PE-1# show router fp-tunnel-table 1
=====
IPv4 Tunnel Table Display

```



```

Legend:
label stack is ordered from bottom-most to top-most
B - FRR Backup
=====
Destination                                Protocol      Tunnel-ID
 Lbl/SID
 NextHop                                    Intf/Tunnel
 Lbl/SID (backup)
 NextHop (backup)
-----
192.0.2.2/32                               SR-ISIS-0    524290
 32002
 192.168.12.2                             1/1/2:1000
192.0.2.3/32                               SR-ISIS-0    524292
 32003
 192.168.13.2                             1/1/1:1000
192.0.2.4/32                               SR-ISIS-0    524293
 32004
 192.168.12.2                             1/1/2:1000
192.0.2.7/32                             SR-Policy   917506
 20099
  192.0.2.3                               SR
192.168.12.2/32                           SR           524289
 3
 192.168.12.2                             1/1/2:1000
192.168.13.2/32                           SR           524291
 3
 192.168.13.2                             1/1/1:1000
-----
Total Entries : 6
=====

```

However, on PE-1, the received BGP-VPN routes are not used, as follows:

```

*A:PE-1# show router bgp routes vpn-ipv4
=====
BGP Router ID:192.0.2.1      AS:64500      Local AS:64500
=====
Legend -
Status codes : u - used, s - suppressed, h - history, d - decayed, * - valid
               l - leaked, x - stale, > - best, b - backup, p - purge
Origin codes  : i - IGP, e - EGP, ? - incomplete
=====
BGP VPN-IPv4 Routes
=====
Flag  Network                                LocalPref  MED
      Nexthop (Router)                    Path-Id    IGP Cost
      As-Path                              Label
-----
*>i  192.0.2.7:1:172.16.7.1/32              100        None
      192.0.2.7                             None        0
      64501                                  524286
*>i  192.0.2.7:1:172.31.7.0/24             100        None
      192.0.2.7                             None        0
      64501                                  524286
-----
Routes : 2
=====

```

Therefore, the following route table for VPRN 1 does not include any route toward VPRN 1 on PE-7:

```
*A:PE-1# show router 1 route-table

=====
Route Table (Service: 1)
=====
Dest Prefix[Flags]                               Type   Proto   Age           Pref
  Next Hop[Interface Name]                       Metric
-----
172.16.1.1/32                                     Local  Local   00h56m36s    0
  system                                          0
172.31.1.0/24                                     Local  Local   00h56m36s    0
  lol                                            0
-----
No. of Routes: 2
Flags: n = Number of times nexthop is repeated
      B = BGP backup route available
      L = LFA nexthop available
      S = Sticky ECMP requested
=====
```

As stated earlier, the following two conditions are required to ensure that the traffic flow from VPRN 1 is steered by the SR policy on PE-1:

- the BGP payload prefix next-hop must match the endpoint value in the SR policy
- the BGP payload prefix must have a color extended community, matching the color value in the SR policy

To match the second condition, the following BGP policy exports the prefixes of VPRN 1 and adds color extended community "color:00:100" and extended community "target:64500:1" to the VPN-IPv4 routes.

```
# on PE-1:
configure
router
  policy-options
  begin
  prefix-list "VRF1-prefixes"
    prefix 172.16.1.1/32 exact
    prefix 172.31.1.0/24 exact
  exit
  community "Color100_com"
    members "color:00:100"
  exit
  community "VRF1-export_com"
    members "target:64500:1"
  exit
  policy-statement "Color100_VRF1_pol"
    entry 10
      from
        prefix-list "VRF1-prefixes"
      exit
      to
        protocol bgp-vpn
      exit
      action accept
        community add "VRF1-export_com" "Color100_com"
      exit
    exit
  exit
  commit
exit
```

```
exit
exit
```

This policy is applied as a VRF export policy in VPRN 1, as follows:

```
# on PE-1:
configure
  service
    vprn 1
      vrf-export "Color100_VRF1_pol"
      info
    exit
  exit
exit
```

The BGP update message shows that the VPN-IPv4 routes contain both extended communities:

```
1 2021/09/16 14:53:39.596 UTC MINOR: DEBUG #2001 Base Peer 1: 192.0.2.2
"Peer 1: 192.0.2.2: UPDATE
Peer 1: 192.0.2.2 - Send BGP UPDATE:
  Withdrawn Length = 0
  Total Path Attr Length = 85
  Flag: 0x90 Type: 14 Len: 48 Multiprotocol Reachable NLRI:
Address Family VPN_IPV4
  NextHop len 12 NextHop 192.0.2.1
  172.31.1.0/24 RD 192.0.2.1:1 Label 524287 (Raw label 0x7ffff1)
  172.16.1.1/32 RD 192.0.2.1:1 Label 524287 (Raw label 0x7ffff1)
  Flag: 0x40 Type: 1 Len: 1 Origin: 0
  Flag: 0x40 Type: 2 Len: 0 AS Path:
  Flag: 0x40 Type: 5 Len: 4 Local Preference: 100
  Flag: 0xc0 Type: 16 Len: 16 Extended Community:
target:64500:1
color:00:100
"
```

The VPN-IPv4 routes are using the SR policy tunnel to PE-7, as follows:

```
*A:PE-1# show router bgp next-hop vpn-ipv4
=====
BGP Router ID:192.0.2.1      AS:64500      Local AS:64500
=====

BGP VPN Next Hop
=====
VPN Next Hop                               Owner
Autobind                                   FibProg Reason
Labels                                     FlexAlgo Metric
Admin-tag-policy (strict-tunnel-tagging)
-----
192.0.2.7                                  SR-POLICY
  bgp sr-policy                            Y
  --                                         --      0
  -- (-)
-----
Next Hops : 1
=====
```

In the route table of VPRN 1 on PE-1, routes to VPRN 1 on PE-7 use the SR policy tunnel toward PE-7, as follows:

```
*A:PE-1# show router 1 route-table

=====
Route Table (Service: 1)
=====
Dest Prefix[Flags]                Type   Proto   Age           Pref
  Next Hop[Interface Name]         Metric
-----
172.16.1.1/32                      Local  Local   01h09m50s    0
  system
172.16.7.1/32                      Remote BGP VPN 00h05m06s    170
  192.0.2.7 (tunneled:SR-Policy:917506)
172.31.1.0/24                      Local  Local   01h09m50s    0
  lo1
172.31.7.0/24                      Remote BGP VPN 00h05m06s    170
  192.0.2.7 (tunneled:SR-Policy:917506)
-----
No. of Routes: 4
Flags: n = Number of times nexthop is repeated
       B = BGP backup route available
       L = LFA nexthop available
       S = Sticky ECMP requested
=====
```



Note:

Color-only steering can be achieved without the need to match the BGP next-hop endpoint. This is done by setting the "color-only" (CO) bits, which are the two highest order bits of the color extended community. When set to "10" or "01" instead of "00", the **endpoint** value in the SR policy can be set to "0.0.0.0". In this case, only the color value is checked as a single condition to steer traffic flows using the SR policy.

Show and Debug commands

The following command shows the SR policies on PE-1, with the segment list, color, endpoint address, and so on:

```
*A:PE-1# show router segment-routing sr-policies all

=====
SR-Policies Path
=====
-----
Active           : Yes                Owner           : static
Color            : 100
Head             : 0.0.0.0             Endpoint Addr   : 192.0.2.7
RD               : 64500              Preference      : 100
BSID             : 20000
TunnelId         : 917506           Age             : 490
Origin ASN       : 0                Origin          : 0.0.0.0
NumReEval        : 0                ReEvalReason    : none
NumActPathChange: 0                Last Change     : 09/16/2021 14:38:41
Maintenance Policy: N/A

Path Segment Lists:
Segment-List     : 1                Weight          : 1
=====
```

```
S-BFD State      : Down          S-BFD Transitio*: 0
Num Segments     : 2             Last Change      : 09/16/2021 13:14:19
  Seg 1 Label    : 32003         State            : resolved-up
  Seg 2 Label    : 20099         State            : N/A
```

=====
* indicates that the corresponding row element may have been truncated.

For each combination of color and endpoint, the SR database must validate each segment list / candidate path, and choose one to be the active path. The most important checks are:

- The configured BSID is part of the SRLB. In this example, 20000 is part of the SRLB1 block on PE-1, which ranges from 20000 to 21999. The BSID is used uniquely by this policy.
- The first segment of each segment list is resolved to a set of one or more next-hops. This means matching an SR-ISIS or SR-OSPF node SID, matching an SR-ISIS or SR-OSPF adjacency SID, or matching an SR-ISIS or SR-OSPF adjacency-set SID. In this example, on PE-1, label 32003 resolves to the SR-ISIS node SID of ASBR-3.

The following command shows the MPLS forwarding policy on ASBR-3, including the binding label, NHG, and pushed labels. If, for example, the reserved label block was not defined or not referenced by the MPLS forwarding policy, the validation would fail and the MPLS forwarding policy would remain operationally down.

```
*A:ASBR-3# show router mpls forwarding-policies forwarding-policy detail

=====
Forwarding Policy (Detail)
=====
-----
Policy : SLR-ILM-pushed-label
-----
Admin State      : Up           Oper State       : Up
Binding Label   : 20099         Preference        : 255
Revert Timer      : 5 sec
Last Change      : 09/16/2021 14:39:42
Ingress Stats    : Disabled
Metric           : 0             Tunnel Table Pref: 255
Endpoint Address : N/A

Next-hop Group  : 1
Admin State     : Up           Oper State       : Up
Resolution Type  : direct        Load Balancing Wt: 0
Last Change     : 09/16/2021 14:39:42
Primary
NH Address       : 192.168.35.2
Oper State      : Up           Last Change       : 09/16/2021 14:39:42
Pushed Labels  : 20100
Backup
NH Address       : 192.168.36.2
Oper State      : Up           Last Change       : 09/16/2021 14:39:42
Pushed Labels  : 20100
=====
```

The following command shows the details of the MPLS binding label forwarding policy:

```
*A:ASBR-3# show router mpls forwarding-policies binding-label detail

=====
Binding Label (Detail)
=====
```

```

Label          : 20099          Preference      : 255
Policy Name    : SLR-ILM-pushed-label
Oper State     : Up             OperDownReason  : notApplicable
Up Time       : 09/16/2021 13:40:00 NumNextHopGrps : 1
Ingress Stats  : Disabled       IngrOperState   : Down
Egress Stats   : Disabled       EgrOperState    : Down
Revert Timer   : 5
Retry Count    : 0             Next Retry In   : 0

Next-hop Group : 1             Resolution Type: direct
Oper State     : Up             OperDownReason  : notApplicable
Num Revert     : 0             Num Failover    : 0
Next Revert In : 0
Primary nexthop: 192.168.35.2
Resolved       : True          NHopDownReason  : notApplicable
EgrOperState   : Down
Pushed Labels  : 20100
Backup nexthop : 192.168.36.2
Resolved       : True          NHopDownReason  : notApplicable
EgrOperState   : Down
Pushed Labels  : 20100
-----
=====

```

The following tools command on ASBR-3 shows that the MPLS forwarding policy is validated and the ILM is programmed with the binding label value. The output also shows which router interfaces are used toward the configured next-hops and what label stack is pushed.

```

*A:ASBR-3# tools dump router mpls forwarding-policies binding-label 20099

Db Mgr flags 0x80 ilmStatsFailCnt 0
-----
dbOwner FWD PLCY routeOwner 48 rsvdBlkId 2 flags 0x3 numPolicies 1 numInstalled 1
-----

Label DB 20099
dbFlags 0xd PathCount 1 srTunnelId 851970 ilmStatsIdx[MGMT] 0x0 ilmStatsIdx[API] 0x0 LABEL
RESERVED: PROGRAMMED
Path bitmap 0
Label Retry time left : 0 retrycount : 0, SR Retry time left : 0 SR retrycount : 0

Best Db Path owner 0 path name vrId:1, dbOwner:0, pathName:SLR-ILM-pushed-label Last Modified
09/16/2021 14:39:42 Up Time 0d 00:24:31
Preference 255 flags 0x245 Status FWDPLCY_ERR_NA SR status SR_ERR_OK
PrimResolved NH's 1 BkupResolved NH's 1
NHGroup 1
flags 0x3bf9 : weight 0 normalized weight 0
Revert timer 5 Time left 0 NumOfReverts 0

Hold timer 0 Time left 0
DIRECT NH: PRIM PGMED: PRIM RESOLVED: BKUP RESOLVED: BKUP PGMED:
primaryNH 192.168.35.2 egrStatsIdx 0x0 Status FWDPLCY_NHERR_NA
Label Stack:20100 0
Nexthop 1 192.168.35.2 outIf 4 globalIfIndex 3 globaIfInNHgrp 3
PG ID 3
PG ID 0
backupNH 192.168.36.2 egrStatsIdx 0x0 Status FWDPLCY_NHERR_NA
Label stack:20100 0
Nexthop 1 192.168.36.2 outIf 5 globalIfIndex 4 globaIfInNHgrp 4
PG ID 4
PG ID 0

```



Conclusion

MPLS forwarding policies provide the customization of next-hops as well as ECMP, weighted ECMP, Class-Based Forwarding, and backup support. MPLS forwarding policies can be combined with SR policies.

Parallel Adjacency Sets in Segment Routing

This chapter describes the Parallel Adjacency Sets in Segment Routing.

Topics in this chapter include:

- [Applicability](#)
- [Overview](#)
- [Configuration](#)
- [Conclusion](#)

Applicability

The information and configuration in this chapter are based on SR OS Release 21.7.R1.

Overview

SR OS supports segment routing as described in RFC 8402, *Segment Routing Architecture*. In the remainder of this chapter, SR refers to "Segment Routing", unless specified otherwise. Product and release references, such as 7750 SR and SR OS, continue to refer to "Service Router".

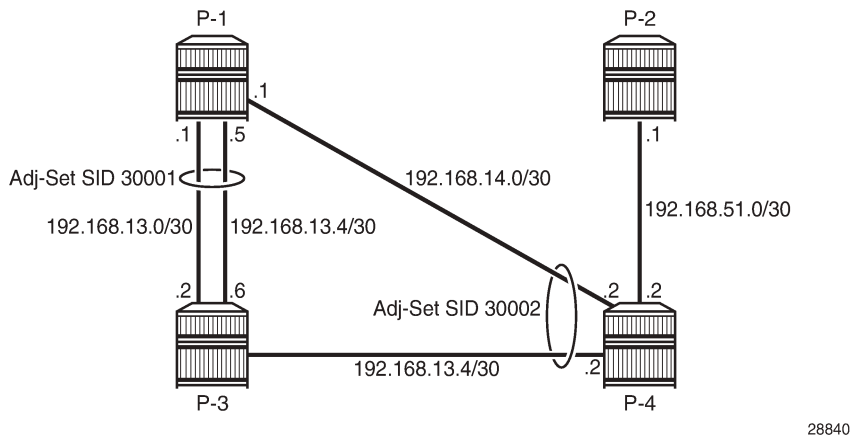
SR provides operators the means to provision paths or tunnels, encoded as a sequential list of sub-paths or segments without requiring a dedicated signaling protocol, by advertising the identities of the segments across the SR domain using extensions to the link state Interior Gateway Protocols (IGPs), such as IS-IS and OSPF.

When defining source-routed traffic-engineered end-to-end SR paths, routing constraints such as loose and strict hops can be used to control the data path through a network; a node SID is used for a loose hop, and an adjacency SID is used for a strict hop. See the [Segment Routing – Traffic Engineered Tunnels](#) chapter for more information.

Parallel links between adjacent nodes can be grouped into adjacency sets, and a single adjacency set is identified using a locally significant adjacency set SID. Traffic can be load shared across the links in the set and is based on traffic flow identifiers; for example, source and destination IP addresses, and entropy label.

In [Figure 13: Parallel and non-parallel adjacency sets](#), two adjacency sets are defined. A first adjacency set is defined on P-1 with adjacency set SID 30001. Two parallel links are available between P-1 and P-2, and by combining them into an adjacency set, traffic can be shared across both links. A second set is defined on P-4, with adjacency set SID 30002. However, the member links of that set are not terminated on the same router pair, so traffic cannot be shared.

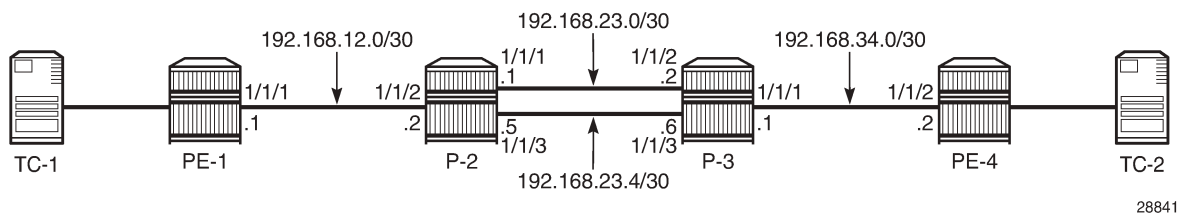
Figure 13: Parallel and non-parallel adjacency sets



Configuration

The topology used in this chapter is shown in [Figure 14: Parallel adjacency set](#). All nodes are configured for SR and IS-IS level 2. If test center TC-1 is connected at PE-1 and test center TC-2 is connected at PE-4, traffic can be sent from TC-1 to TC-2 following the PE-1, P-2, P-3, PE-4 path. Two links are active between P-2 and P-3, and these links belong to the same adjacency set.

Figure 14: Parallel adjacency set



The initial configuration on the PE nodes includes the following:

- Cards, MDAs, ports
- Router interfaces
- IS-IS

Segment routing configuration

In the topology from [Figure 14: Parallel adjacency set](#), all nodes are configured with a common Segment Routing Global Block (SRGB), which is defined as follows:

```
configure
router
  mpls-labels
  sr-labels start 20000 end 20099
```

```

    exit
  exit
exit

```

In this example, prefix SID allocation is using global mode, and the node SIDs are defined by index on the system interfaces in the **isis** context, where PE-1, P-2, P-3, and PE-4 take the indices 1, 2, 3, and 4, respectively. The **advertise-router-capability area** command enables the IS-IS extensions so that the SID values are advertised throughout the SR domain. The configuration on PE-1 is as follows; the configuration on the other nodes is similar.

```

# on PE-1
configure
  router
    isis 0
      level-capability level-2
      area-id 49.0001
      traffic-engineering
      advertise-router-capability area
      segment-routing
        prefix-sid-range global
        no shutdown
      exit
      interface "system"
        ipv4-node-sid index 1
        no shutdown
      exit
      interface "int-PE-1-P-2"
        interface-type point-to-point
        no shutdown
      exit
      no shutdown
    exit
  exit
exit

```

With this configuration, each node floods the SIDs in link state packets (shown as "LSP") across the domain. For P-2, prefix 192.0.2.2 has index 2 in the SRGB. The adjacency SIDs 524285, 524286, and 524287 are taken from the dynamic range, as follows:

```

*A:P-2# show router isis database P-2.00-00 detail
=====
Rtr Base ISIS Instance 0 Database (detail)
=====

Displaying Level 1 database
-----
Level (1) LSP Count : 0

Displaying Level 2 database
-----
LSP ID   : P-2.00-00          Level    : L2
Sequence : 0x3                Checksum : 0xeb4b    Lifetime : 1123
Version  : 1                  Pkt Type  : 20      Pkt Ver  : 1
Attributes: L1L2             Max Area  : 3        Alloc Len : 1492
SYS ID   : 1920.0000.2002    SysID Len : 6        Used Len  : 330

TLVs :
  Area Addresses:
    Area Address : (3) 49.0001
  Supp Protocols:

```

```
Protocols      : IPv4
IS-Hostname    : P-2
Router ID      :
  Router ID    : 192.0.2.2
Router Cap     : 192.0.2.2, D:0, S:0
  TE Node Cap  : B E M P
  SR Cap       : IPv4 MPLS-IPv6
    SRGB Base  : 20000, Range:100
  SR Alg       : metric based SPF
  Node MSD Cap: BMI : 12 ERLD : 15
IS Neighbors   :
  Virtual Flag : 0
  Default Metric: (I) 10
  Delay Metric  : (I) 0
  Expense Metric: (I) 0
  Error Metric  : (I) 0
  Neighbor      : PE-1.00
IS Neighbors   :
  Virtual Flag : 0
  Default Metric: (I) 10
  Delay Metric  : (I) 0
  Expense Metric: (I) 0
  Error Metric  : (I) 0
  Neighbor      : P-3.00
Internal Reach:
  Default Metric: (I) 10
  Delay Metric  : (I) 0
  Expense Metric: (I) 0
  Error Metric  : (I) 0
  IP Address    : 192.168.12.0
  IP Mask       : 255.255.255.252
  Default Metric: (I) 10
  Delay Metric  : (I) 0
  Expense Metric: (I) 0
  Error Metric  : (I) 0
  IP Address    : 192.168.23.0
  IP Mask       : 255.255.255.252
  Default Metric: (I) 0
  Delay Metric  : (I) 0
  Expense Metric: (I) 0
  Error Metric  : (I) 0
  IP Address    : 192.0.2.2
  IP Mask       : 255.255.255.255
  Default Metric: (I) 10
  Delay Metric  : (I) 0
  Expense Metric: (I) 0
  Error Metric  : (I) 0
  IP Address    : 192.168.23.4
  IP Mask       : 255.255.255.252
I/F Addresses  :
  I/F Address   : 192.168.23.1
  I/F Address   : 192.0.2.2
  I/F Address   : 192.168.12.2
  I/F Address   : 192.168.23.5
TE IS Nbrs    :
  Nbr          : PE-1.00
  Default Metric : 10
  Sub TLV Len   : 19
  IF Addr       : 192.168.12.2
  Nbr IP        : 192.168.12.1
Adj-SID: Flags:v4VL Weight:0 Label:524287
TE IS Nbrs    :
  Nbr          : P-3.00
  Default Metric : 10
```

```

Sub TLV Len      : 26
IF Addr       : 192.168.23.1
Nbr IP        : 192.168.23.2
Adj-SID: Flags:v4VL Weight:0 Label:524286
Adj-SID: Flags:v4VLSP Weight:0 Label:30000
TE IS Nbrs     :
Nbr           : P-3.00
Default Metric : 10
Sub TLV Len    : 26
IF Addr       : 192.168.23.5
Nbr IP        : 192.168.23.6
Adj-SID: Flags:v4VL Weight:0 Label:524285
Adj-SID: Flags:v4VLSP Weight:0 Label:30000
TE IP Reach    :
Default Metric : 10
Control Info:   , prefLen 30
Prefix         : 192.168.12.0
Default Metric : 10
Control Info:   , prefLen 30
Prefix         : 192.168.23.0
Default Metric : 0
Control Info:   S, prefLen 32
Prefix       : 192.0.2.2
Sub TLV       :
  Prefix-SID Index:2, Algo:0, Flags:NnP
Default Metric : 10
Control Info:   , prefLen 30
Prefix         : 192.168.23.4

Level (2) LSP Count : 1
-----
Control Info      : D = Prefix Leaked Down
                  S = Sub-TLVs Present
Attribute Flags   : N = Node Flag
                  R = Re-advertisement Flag
                  X = External Prefix Flag
                  E = Entropy Label Capability (ELC) Flag
Adj-SID Flags    : v4/v6 = IPv4 or IPv6 Address-Family
                  B = Backup Flag
                  V = Adj-SID carries a value
                  L = value/index has local significance
                  S = Set of Adjacencies
                  P = Persistently allocated
Prefix-SID Flags : R = Re-advertisement Flag
                  N = Node-SID Flag
                  nP = no penultimate hop POP
                  E = Explicit-Null Flag
                  V = Prefix-SID carries a value
                  L = value/index has local significance
Lbl-Binding Flags: v4/v6 = IPv4 or IPv6 Address-Family
                  M = Mirror Context Flag
                  S = SID/Label Binding flooding
                  D = Prefix Leaked Down
                  A = Attached Flag
SABM-flags Flags: R = RSVP-TE
                  S = SR-TE
                  F = LFA
                  X = FLEX-ALGO
FAD-flags Flags:  M = Prefix Metric
=====
*A:P-2#

```

Adjacency set configuration

Adjacency set SIDs are allocated from a reserved label block. Because the adjacency SIDs have a local significance only, the same block can be defined on each node. In this example, a different label block is defined on P-2 and P-3 respectively, as follows. The start-label and end-label values must be in the dynamic range.

```
# on P-2
configure
router
  mpls-labels
    reserved-label-block "adjset_block_on_P-2"
      start-label 30000 end-label 30099
    exit
  exit
exit
exit

# on P-3
configure
router
  mpls-labels
    reserved-label-block "adjset_block_on_P-3"
      start-label 40000 end-label 40099
    exit
  exit
exit
exit
```

This range is listed in the **show router mpls-labels label-range** command, as follows:

```
*A:P-2# show router mpls-labels label-range

=====
Label Ranges
=====
Label Type      Start Label End Label   Aging      Available  Total
-----
Static          32          18431      -           18400     18400
Dynamic         18432       524287     0           505653    505856
  Seg-Route     20000       20099      -            0         100
-----

Reserved Label Blocks
-----
Reserved Label          Start      End      Total
Block Name              Label      Label
-----
adjset_block_on_P-2    30000    30099    100
-----

No. of Reserved Label Blocks: 1
=====
*A:P-2#
```

The reserved label block range is then defined as a Segment Routing Local Block (SRLB) in the segment-routing context. Label values for adjacency sets must be allocated from the SRLB; otherwise, an error is raised. The adjacency set is identified by number, and on P-2 adjacency set 1 has a SID label value of

30000. A similar configuration is used on P-3. If no SID label value is configured, the system will allocate a value from the SRLB range.

```
# on P-2
configure
router
  isis 0
    segment-routing
      srlb "adjset_block_on_P-2"
      adjacency-set 1
        sid label 30000
      exit
    no shutdown
  exit
exit
exit
exit

# on P-3
configure
router
  isis 0
    segment-routing
      srlb "adjset_block_on_P-3"
      adjacency-set 1
        sid label 40000
      exit
    no shutdown
  exit
exit
exit
exit
```

On P-2, the *int-P-2-P-3-a* and *int-P-2-P-3-b* interfaces have addresses 192.168.23.1/30 and 192.168.23.5/30, respectively, and these interfaces are included in adjacency set 1 by applying the adjacency set index to the individual interfaces, as follows. A similar configuration is present on P-3.

```
# on P-2
configure
router
  isis 0
    interface "system"
      ipv4-node-sid index 2
      no shutdown
    exit
    interface "int-P-2-PE-1"
      interface-type point-to-point
      no shutdown
    exit
    interface "int-P-2-P-3-a"
      interface-type point-to-point
      adjacency-set 1
      no shutdown
    exit
    interface "int-P-2-P-3-b"
      interface-type point-to-point
      adjacency-set 1
      no shutdown
    exit
  no shutdown
exit
exit
```

```
exit
```

With this configuration applied, IS-IS floods the adjacency set SID in the adjacency SID sub-TLV across the domain, as follows. The S flag indicates that this SID identifies an adjacency set; the P flag indicates that the SID value is persistent.

```
*A:P-2# show router isis database P-2.00-00 detail
```

```
=====
Rtr Base ISIS Instance 0 Database (detail)
=====
```

```
Displaying Level 1 database
```

```
-----
Level (1) LSP Count : 0
```

```
Displaying Level 2 database
```

```
-----
LSP ID   : P-2.00-00                Level   : L2
Sequence : 0x3                      Checksum : 0xeb4b   Lifetime : 1123
Version  : 1                        Pkt Type : 20       Pkt Ver  : 1
Attributes: L1L2                    Max Area : 3        Alloc Len : 1492
SYS ID   : 1920.0000.2002           SysID Len : 6        Used Len  : 330
```

```
TLVs :
```

```
Area Addresses:
```

```
Area Address : (3) 49.0001
```

```
Supp Protocols:
```

```
Protocols   : IPv4
```

```
IS-Hostname  : P-2
```

```
Router ID   :
```

```
Router ID   : 192.0.2.2
```

```
Router Cap : 192.0.2.2, D:0, S:0
```

```
TE Node Cap : B E M P
```

```
SR Cap: IPv4 MPLS-IPv6
```

```
SRGB Base:20000, Range:100
```

```
SR Alg: metric based SPF
```

```
Node MSD Cap: BMI : 12 ERLD : 15
```

```
IS Neighbors :
```

```
Virtual Flag : 0
```

```
Default Metric: (I) 10
```

```
Delay Metric : (I) 0
```

```
Expense Metric: (I) 0
```

```
Error Metric : (I) 0
```

```
Neighbor     : PE-1.00
```

```
IS Neighbors :
```

```
Virtual Flag : 0
```

```
Default Metric: (I) 10
```

```
Delay Metric : (I) 0
```

```
Expense Metric: (I) 0
```

```
Error Metric : (I) 0
```

```
Neighbor     : P-3.00
```

```
Internal Reach:
```

```
Default Metric: (I) 10
```

```
Delay Metric : (I) 0
```

```
Expense Metric: (I) 0
```

```
Error Metric : (I) 0
```

```
IP Address   : 192.168.12.0
```

```
IP Mask      : 255.255.255.252
```

```
Default Metric: (I) 10
```

```
Delay Metric : (I) 0
```

```
Expense Metric: (I) 0
```

```
Error Metric : (I) 0
```

```

IP Address   : 192.168.23.0
IP Mask     : 255.255.255.252
Default Metric: (I) 0
Delay Metric : (I) 0
Expense Metric: (I) 0
Error Metric : (I) 0
IP Address   : 192.0.2.2
IP Mask     : 255.255.255.255
Default Metric: (I) 10
Delay Metric : (I) 0
Expense Metric: (I) 0
Error Metric : (I) 0
IP Address   : 192.168.23.4
IP Mask     : 255.255.255.252
I/F Addresses :
I/F Address  : 192.168.23.1
I/F Address  : 192.0.2.2
I/F Address  : 192.168.12.2
I/F Address  : 192.168.23.5
TE IS Nbrs   :
Nbr         : PE-1.00
Default Metric : 10
Sub TLV Len  : 19
IF Addr     : 192.168.12.2
Nbr IP      : 192.168.12.1
Adj-SID: Flags:v4VL Weight:0 Label:524287
TE IS Nbrs   :
Nbr         : P-3.00
Default Metric : 10
Sub TLV Len  : 26
IF Addr     : 192.168.23.1
Nbr IP      : 192.168.23.2
Adj-SID: Flags:v4VL Weight:0 Label:524286
Adj-SID: Flags:v4VLSP Weight:0 Label:30000
TE IS Nbrs   :
Nbr         : P-3.00
Default Metric : 10
Sub TLV Len  : 26
IF Addr     : 192.168.23.5
Nbr IP      : 192.168.23.6
Adj-SID: Flags:v4VL Weight:0 Label:524285
Adj-SID: Flags:v4VLSP Weight:0 Label:30000
TE IP Reach  :
Default Metric : 10
Control Info:   , prefLen 30
Prefix        : 192.168.12.0
Default Metric : 10
Control Info:   , prefLen 30
Prefix        : 192.168.23.0
Default Metric : 0
Control Info:  S, prefLen 32
Prefix        : 192.0.2.2
Sub TLV       :
Prefix-SID Index:2, Algo:0, Flags:NnP
Default Metric : 10
Control Info:   , prefLen 30
Prefix        : 192.168.23.4

```

Level (2) LSP Count : 1

```

-----
Control Info      : D = Prefix Leaked Down
                  S = Sub-TLVs Present
Attribute Flags  : N = Node Flag
                  R = Re-advertisement Flag

```



```

Adj-SID Flags      : X = External Prefix Flag
                   E = Entropy Label Capability (ELC) Flag
                   v4/v6 = IPv4 or IPv6 Address-Family
                   B = Backup Flag
                   V = Adj-SID carries a value
                   L = value/index has local significance
                   S = Set of Adjacencies
                   P = Persistently allocated
Prefix-SID Flags  : R = Re-advertisement Flag
                   N = Node-SID Flag
                   nP = no penultimate hop POP
                   E = Explicit-Null Flag
                   V = Prefix-SID carries a value
                   L = value/index has local significance
Lbl-Binding Flags: v4/v6 = IPv4 or IPv6 Address-Family
                   M = Mirror Context Flag
                   S = SID/Label Binding flooding
                   D = Prefix Leaked Down
                   A = Attached Flag
SABM-flags Flags: R = RSVP-TE
                   S = SR-TE
                   F = LFA
                   X = FLEX-ALGO
FAD-flags Flags:  M = Prefix Metric
=====
*A:P-2#

```

SR traffic engineered label switched path configuration

For traffic from PE-1 to PE-4 to use the adjacency set between P-2 and P-3, a label switched path is required. This path can be defined using SR policies or using SR traffic engineered (SR-TE) tunnels (see the [Segment Routing – Traffic Engineered Tunnels](#) chapter).

This chapter uses SR-TE tunnels, with label switched path *lsp-adj-set* using *path-adj-set* as the primary path. A loose hop translates to a node SID for that hop. A strict hop translates to an adjacency set SID, if an adjacency set is available. If no adjacency set is configured, an adjacency SID is used. The MPLS configuration on PE-1 is as follows; the configuration on PE-4 is similar.

```

# on PE-1
configure
router
  mpls
    path "path-adj-set"
      hop 1 192.0.2.2 loose
      hop 2 192.0.2.3 strict
      hop 3 192.0.2.4 loose
      no shutdown
    exit
    lsp "lsp-adj-set" sr-te
      to 192.0.2.4
      max-sr-labels 3 additional-frr-labels 2
      primary "path-adj-set"
      exit
      no shutdown
    exit
  no shutdown
exit
exit
exit

```

The path details for the *lsp-adj-set* SR-TE label switched path definition clearly show the label values used (in the Actual Hops section), as follows:

```
*A:PE-1# show router mpls sr-te-lsp "lsp-adj-set" path detail

=====
MPLS SR-TE LSP lsp-adj-set
Path (Detail)
=====
Legend :
  S      - Strict          L      - Loose
  A-SID  - Adjacency SID  N-SID  - Node SID
  +      - Inherited
=====
-----
LSP SR-TE lsp-adj-set
Path path-adj-set
-----
LSP Name      : lsp-adj-set
Path LSP ID   : 26112
From          : 192.0.2.1
To            : 192.0.2.4
Admin State   : Up                Oper State    : Up
Path Name     : path-adj-set
Path Type     : Primary
Path Admin    : Up                Path Oper     : Up
Path Up Time  : 0d 00:01:13       Path Down Time : 0d 00:00:00
Retry Limit   : 0                 Retry Timer    : 30 sec
Retry Attempt : 0                 Next Retry In  : 0 sec

PathCompMethod : none            OperPathCompMethod: none
MetricType     : igp             Oper MetricType  : igp
LocalSrProt    : preferred       Oper LocalSrProt : N/A
LabelStackRed  : Disabled        Oper LabelStackRed: N/A

Bandwidth      : No Reservation   Oper Bandwidth   : 0 Mbps
Hop Limit      : 255              Oper HopLimit    : 255
Setup Priority  : 7                Oper SetupPriority: 7
Hold Priority   : 0                Oper HoldPriority : 0
Inter-area     : N/A

PCE Updt ID    : 0                PCE Updt State  : None
PCE Upd Fail Code: noError

PCE Report     : Disabled+        Oper PCE Report  : Disabled
PCE Control    : Disabled        Oper PCE Control : Disabled

Include Groups :                   Oper IncludeGroups:
None                                                  None
Exclude Groups :                   Oper ExcludeGroups:
None                                                  None
Last Resignal  : n/a

IGP/TE Metric  : 16777215         Oper Metric      : 16777215
Oper MTU       : 1552             Path Trans       : 1
Degraded       : False
Failure Code    : noError
Failure Node    : n/a
Explicit Hops   :
                192.0.2.2(L)
                -> 192.0.2.3(S)
                -> 192.0.2.4(L)
Actual Hops   :

```

```

192.0.2.2(192.0.2.2) (N-SID)           Record Label      : 20002
-> 192.0.2.3(192.0.2.3) (A-SID)      Record Label      : 30000
-> 192.0.2.4(192.0.2.4) (N-SID)      Record Label      : 20004

BFD Configuration and State
Template       : None                Ping Interval     : N/A
Enable        : False                State             : notApplicable
WaitForUpTimer : 4 sec               OperWaitForUpTimer: 0 sec
WaitForUpTmLeft : 0
StartFail Rsn  : N/A

=====
*A:PE-1#

```

Service configuration

A VPRN service is configured on PE-1 and PE-4, providing multiple loopback interfaces that simulate the TCs. This VPRN is configured to use the SR-TE tunnel defined in the previous section. The configuration on PE-1 is as follows; the configuration on PE-4 is similar.

```

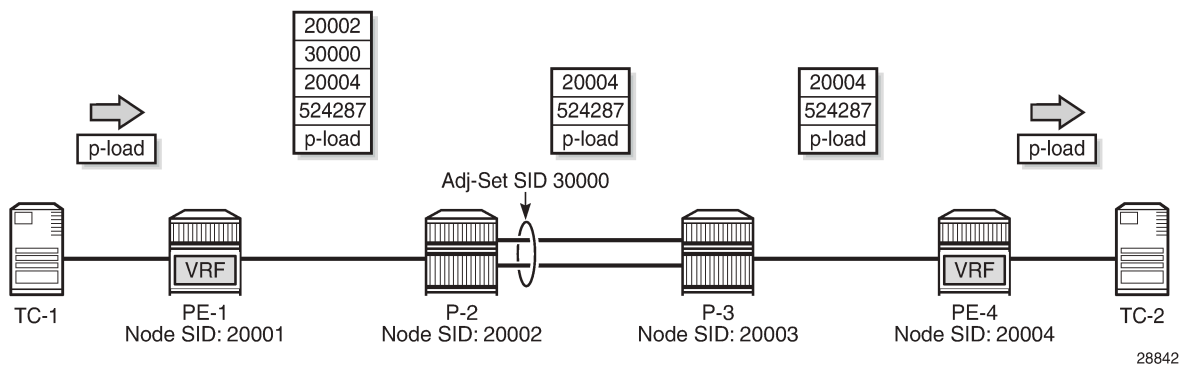
# on PE-1
configure
service
  vprn 1 name "svc-1" customer 1 create
    description "runs between PE-1 and PE-4"
    autonomous-system 64496
    interface "int_LB_1" create
      address 172.16.14.1/32
      loopback
    exit
    interface "int_LB_2" create
      address 172.16.14.2/32
      loopback
    exit
    interface "int_LB_3" create
      address 172.16.14.3/32
      loopback
    exit
    interface "int_LB_4" create
      address 172.16.14.4/32
      loopback
    exit
    interface "int_LB_5" create
      address 172.16.14.5/32
      loopback
    exit
    bgp-ipvpn
      mpls
        auto-bind-tunnel
        resolution-filter
        sr-te
      exit
      resolution filter
    exit
    route-distinguisher 64496:1
    vrf-target target:64496:1
    no shutdown
  exit
exit
no shutdown
exit

```

```
exit
exit
```

Figure 15: MPLS label stack shows the MPLS label stacks on the path from a loopback interface on PE-1 to a loopback interface on PE-4. PE-1 pushes the {20002, 30000, 20004, 524287} label stack to packets received from a loopback interface on PE-1. The bottom of the stack is the {524287} VPN service label. The active label is node SID 20002, so the traffic flow takes the shortest path to P-2, which pops this label. Because {30000} is the label for the adjacency set, this label is popped while spraying the traffic flow across the two links available to P-3. Now the active label is node SID 20004, so the traffic flow takes the shortest path to PE-4; therefore, P-3 swaps {20004} to {20004}. When the traffic flow arrives at PE-4, PE-4 pops the {20004} node SID and the {524287} VPN service label before delivering the traffic to a loopback interface on PE-4.

Figure 15: MPLS label stack



The traffic that is sent in this example is a burst of successive pings (8000) in multiple flows (5) from a loopback interface on PE-1 to the different loopback interfaces on PE-4. So, the traffic flows have a variety of source/destination IP-address pairs. Additionally, for the load to be sprayed across the adjacency set members, load balancing must be enabled. On P-2, this is enabled as follows:

```
# on P-2
configure system load-balancing lsr-load-balancing lbl-ip
```

P-2 hashes the traffic (ping requests) based on the source and destination IP addresses, thereby spraying the traffic across the *int-P-2-P-3-a* interface (on port 1/1/1) and the *int-P-2-P-3-b* interface (on port 1/1/3). P-3 hashes the return traffic (ping responses) similarly across the *int-P-3-P-2-a* interface (on port 1/1/2) and the *int-P-3-P-2-b* interface (on port 1/1/3). Because two links are available, both carry a part of the traffic, as follows. Only the monitoring outcome for P-2 is shown; P-3 has a corresponding monitoring outcome.

```
A:P-2# monitor port 1/1/2 1/1/1 1/1/3 interval 5 repeat 25 absolute
=====
Monitor statistics for Ports
=====
Input          Output
-----
At time t = 0 sec (Base Statistics)
Port 1/1/2
-----
```

```

Octets          8465          8345
Packets         91           90
Errors           0            0

Port 1/1/1
-----
Octets          8345          8465
Packets         90           91
Errors           0            0

Port 1/1/3
-----
Octets          6995          6875
Packets         72           71
Errors           0            0

-----
At time t = 5 sec (Mode: Absolute)
-----
Port 1/1/2
-----
Octets          96141         90085
Packets         834           833
Errors           0            0

Port 1/1/1
-----
Octets          48165         62595
Packets         452           583
Errors           0            0

Port 1/1/3
-----
Octets          48795         34485
Packets         452           322
Errors           0            0

---snip---

-----
At time t = 120 sec (Mode: Absolute)
-----
Port 1/1/2
-----
Octets          4732132        4412586
Packets         40130         40129
Errors           0            0

Port 1/1/1
-----
Octets          1772179        2652419
Packets         16128         24130
Errors           0            0

Port 1/1/3
-----
Octets          2650882        1770882
Packets         24106         16106
Errors           0            0

-----
At time t = 125 sec (Mode: Absolute)
-----
Port 1/1/2

```

```

-----
Octets          4732205          4412706
Packets         40131           40130
Errors          0
Port 1/1/1
-----
Octets          1772372          2652539
Packets       16130           24131
Errors          0
Port 1/1/3
-----
Octets          2651075          1771002
Packets       24108           16107
Errors          0
=====
A:P-2#

```

The relevant information is available after monitoring all bursts (after 125 seconds): 3 out of 5 flows use the *int-P-2-P-3-a* interface; 2 out of 5 flows use the *int-P-2-P-3-b* interface.

With an additional burst to a loopback interface that is reached above over the *int-P-2-P-3-a* interface, 4 (=3+1) out of now 6 flows use the *int-P-2-P-3-a* interface; the initial 2 out of 6 flows keep on using the *int-P-2-P-3-b* interface, as follows:

```

A:P-2# monitor port 1/1/2 1/1/1 1/1/3 interval 5 repeat 25 absolute
=====
Monitor statistics for Ports
=====
-----
Input          Output
-----
---snip---
-----
At time t = 125 sec (Mode: Absolute)
-----
Port 1/1/2
-----
Octets          5673155          5289322
Packets         48098            48097
Errors          0
Port 1/1/1
-----
Octets          2649035          3529322
Packets       24097           32097
Errors          0
Port 1/1/3
-----
Octets          2647911          1767911
Packets       24078           16078
Errors          0
=====
A:P-2#

```

With a further additional burst to a loopback interface that is reached above over the *int-P-2-P-3-b* interface, the initial 4 out of now 7 flows keep on using the *int-P-2-P-3-a* interface; 3 (=2+1) out of 7 flows use the *int-P-2-P-3-b* interface, as follows:

```
A:P-2# monitor port 1/1/2 1/1/1 1/1/3 interval 5 repeat 25 absolute
=====
Monitor statistics for Ports
=====
-----
Input                               Output
-----
---snip---
-----
At time t = 125 sec (Mode: Absolute)
-----
Port 1/1/2
-----
Octets                               6620957                               6172983
Packets                              56140                                56139
Errors                                0                                    0
-----
Port 1/1/1
-----
Octets                               2652983                               3533077
Packets                              24139                                32141
Errors                                0                                    0
-----
Port 1/1/3
-----
Octets                               3530623                               2650623
Packets                              32109                                24109
Errors                                0                                    0
=====
A:P-2#
```

Conclusion

By defining adjacency sets in SR-enabled networks, operators can apply load sharing to parallel links between adjacent nodes, thereby optimizing the use of network resources.

PCEP Support for RSVP-TE LSPs

This chapter provides information about PCEP Support for RSVP-TE LSPs.

Topics in this chapter include:

- [Applicability](#)
- [Overview](#)
- [Configuration](#)
- [Conclusion](#)

Applicability

The information and configuration in this chapter is based on SR OS Release 15.0.R1.

Overview

This chapter describes how to use an external controller to compute RSVP-TE LSPs.

Without external controller, the source-routed path computation of an RSVP-TE LSP is achieved by the head end router examining its own Traffic Engineering database (TE-DB) and computing an end-to-end path comprising a list of IP hops. For this to be achieved, the **cspf** keyword must be enabled within the LSP CLI construct of the LSP.

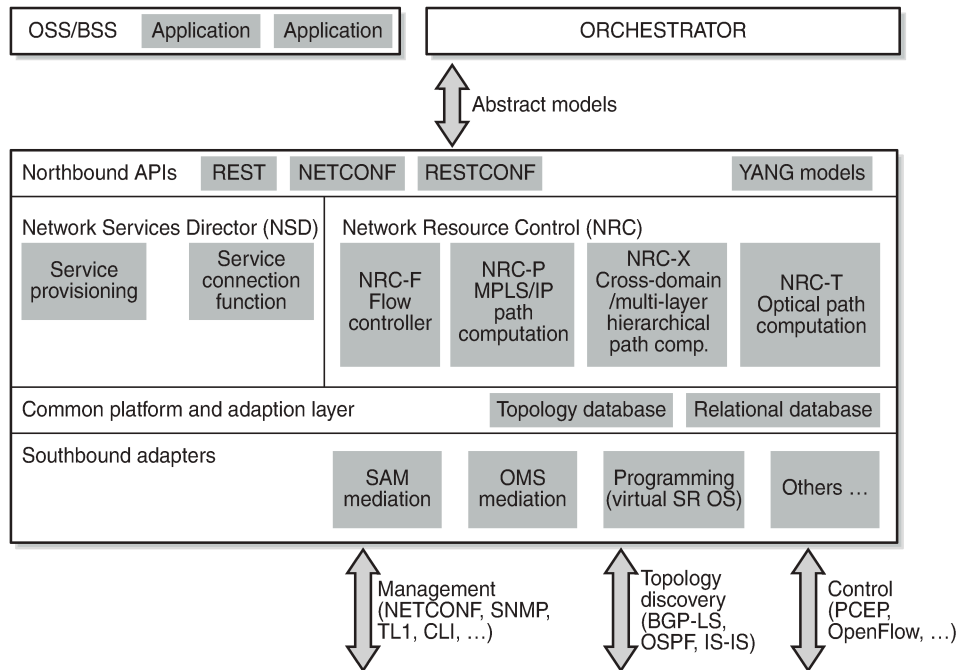
The computed path is inserted into the Explicit Route Object (ERO) of the RSVP Path message, and forwarded out of the interface toward the first hop router, determined by the first entry in the ERO. At each hop, the relevant router will examine the ERO within the Path message, and forward the message toward the next downstream router through the outgoing interface indicated by the top address in the ERO. The router then removes the top ERO entry and forwards the Path message. At the same time, the router creates an entry in the Record Route Object (RRO) that matches the address of the incoming interface (the address of the interface through which the Path message is received).

It is possible for a head end router to request an external controller to compute a path between head and tail end routers, rather than compute it locally. This is useful when, for example, the LSP is to be terminated on a router in a different routing domain from the source router, for which it has no view of the topology. The external controller must be aware of the end-to-end topology; it must have a complete TE topology database of all areas that it can use to compute an end-to-end path.

The external controller that computes a path is the Path Computation Element (PCE). In this case, it is the Network Resources Controller - Path (NRC-P), which runs within the Network Services Platform (NSP). The networking interface to the NRC-P is the Virtual Service Router - Network Resources Controller (VSR-NRC). The VSR-NRC is a virtual SR (vSR) OS instance that can run on a Linux server. The instance has a physical interface into the network, and collects topology information along with signaled path computation requests from head end routers.

[Figure 16: Network Services Platform Block Diagram](#) shows a block diagram of the NSP layout. The NRC-P and its path computation elements are highlighted.

Figure 16: Network Services Platform Block Diagram



26508

The creation of the vSR OS instance is outside the scope of this chapter. Also, there are several ways that the NRC-P can learn the network topology. For this chapter, it is just assumed that the NRC-P communication is configured, and that the complete topology database has been learned.

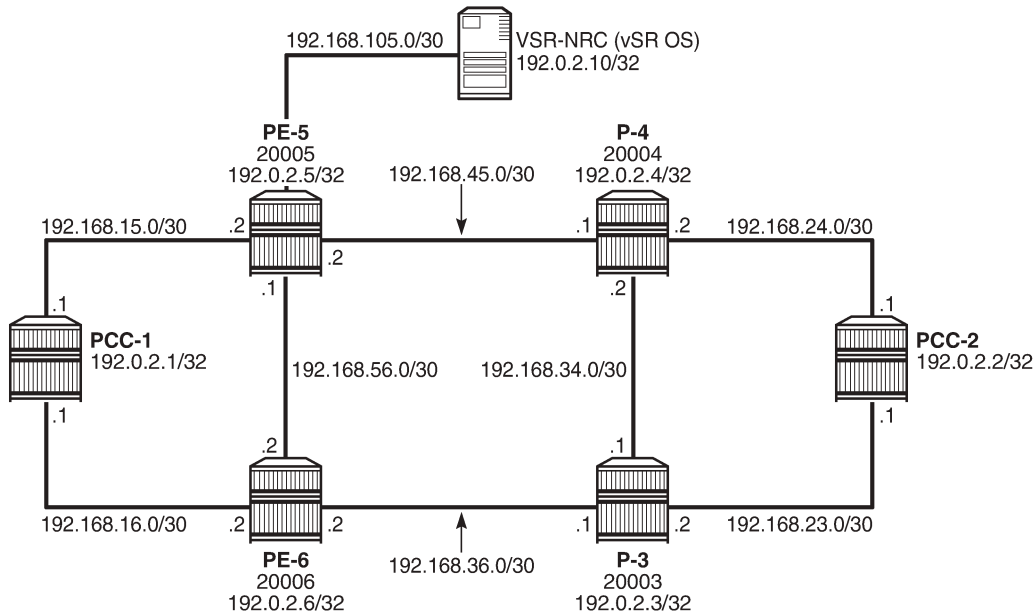
The following configuration describes how the NRC-P can compute an RSVP-TE LSP, for a:

- path with no constraints (zero hop path)
- path that is constrained using strict hops
- primary and secondary standby path, constrained and diversely-routed using admin groups

Configuration

Figure 17: Example Topology shows the example topology. The VSR-NRC is connected to the network at PE-5. This vSR OS runs an IS-IS instance so that it is reachable by all routers in the network. For clarity, the NSP/NRC-P has been removed from the diagram. The NRC-P will be referred to as the Path Computation Element (PCE) throughout the remainder of the chapter.

Figure 17: Example Topology



26509

Global IS-IS Configuration

The first step is to configure IS-IS on each router seen in [Figure 17: Example Topology](#). All routers are members of a single level 2 area 49.0001.

The configuration for Path Computation Client PCC-1 to enable IS-IS is as follows:

```
A:PCC-1>config>router>isis# info
-----
level-capability level-2
area-id 49.0001
level 2
  wide-metrics-only
exit
interface "system"
  level-capability level-2
  ipv4-node-sid index 420
  no shutdown
exit
interface "int-PCC-1-PE-5"
  level-capability level-2
  interface-type point-to-point
  level 2
  metric 1000
exit
no shutdown
exit
interface "int-PCC-1-PE-6"
  level-capability level-2
  interface-type point-to-point
  level 2
  metric 1000
```

```

        exit
        no shutdown
    exit
    no shutdown

```

The configuration for all other nodes is the same, apart from the IP addresses. The IP addresses can be derived from [Figure 17: Example Topology](#).

Path Computation Element Protocol (PCEP)

The PCE is a vSR OS router instance serving as an interface between the physical network and the NRC-P. The instance has a direct physical connection to the network, and has a northbound interface toward the PCE within the NSP. The PCE communicates with its PCCs using the TCP-based protocol, PCEP. The TCP session is initiated by each client, but must be enabled on the PCE, as follows:

```

*A:PCE# configure router pcep
-----
    pce
        local-address 192.0.2.10
        no shutdown
    exit
-----

```

The local address is the system address, and is used as the source address for PCEP messaging between itself and the PCCs, when in-band communication is used. The management routing instance could also be used for out-of-band PCEP communication.

On each PCC, the PCE configuration specifies the VSR-NRC as the peer, using the local address of the PCE as the peer address, as follows:

```

A:PCC-1# configure router pcep
-----
    pcc
        local-address 192.0.2.1
        peer 192.0.2.10
        no shutdown
    exit
    no shutdown
    exit
-----

```

Again, the local address is configured and is used as the source address for PCEP messages by the PCC. For in-band communication, the system address is used.

The following output shows the state of the PCEP sessions on the PCE. There are two sessions: one to each of PCC-1 and PCC-2.

```

*A:PCE# show router pcep pce peer
=====
PCEP Path Computation Element (PCE) Peer Info
=====
Peer                               Sync State           Oper Keepalive/Oper DeadTimer
-----
192.0.2.1:4189                     done                 30/120
192.0.2.2:4189                     done                 30/120
-----
No. of Peers: 2

```

The PCEP session to PCC-1 is shown in more detail in the following output. The peer capabilities show that the computation of RSVP paths is supported. Stateful delegation capability is negotiated between the PCE and PCC. The PCC can delegate control of an LSP to the PCE so that if there is a requirement to modify the existing path of the LSP, the PCE will resignal a new path using a PCEP update message.

This PCEP session requires stateful PCE, so that the state of the LSP (both RSVP and Segment Routing TE (SR-TE) is reported to the PCE by the PCC. This state change could be a change in configuration, or any change due to a received PCE update.

```
*A:PCE# show router pcep pce peer 192.0.2.1
=====
PCEP Path Computation Element (PCE) Peer Info
=====
IP Address           : 192.0.2.1   Port           : 4189
Sync State          : done
Peer Capabilities   : stateful-delegate stateful-pce segment-rt-path rsvp-
                    path
Speaker ID          : 2a:e1:ff:00:00:00
Session Establish Time : 8d 00:00:21
Oper Keepalive      : 30 seconds   Oper DeadTimer : 120 seconds
=====
```

PCE Computed RSVP-TE LSP with Zero-hop Path

The following output shows an RSVP-TE LSP configured on PCC-1 with the tail end on PCC-2.

```
*A:PCC-1# configure router mpls
-----
path "pce-controlled"
  no shutdown
exit
lsp "LSP-PCC-1-PCC-2"
  to 192.0.2.2
  cspf
  pce-computation
  pce-report enable
  pce-control
  primary "pce-controlled"
  exit
  no shutdown
exit
```

The MPLS path is a loose path containing no hops and is applied as a primary path within the LSP construct.

The **pce-computation** command forces a PCEP Request by the router to the PCE for a valid path between PCC-1 and PCC-2, computed by the NRC-P. The PCE replies using a PCEP Reply with a valid path, or a no-path message if no valid path exists.

The PCC reports the state of the LSP to the PCE if the **pce-report enable** command is configured.

The **pce-control** command allows the router to delegate control of the LSP to the PCE. Because the PCE is aware of the full topology, if an event occurs that affects the state of the LSP, for example, a link or node failure, then the PCE will send a PCEP Update with a list of hops representing a new path (if a new path is available).

Debug: PCEP Messaging when LSP is Enabled

The following output shows the PCEP messaging in the form of debug, when the LSP is placed in a "no shutdown" state.

The PCC sends a PCReq message to the PCE, requesting the computation of an RSVP-TE Path. Because the PST(SegRt) field is set to zero, the path request is not a segment routing path request, so must be an RSVP-TE request. The PCEP LSP-ID (PLSP-ID) is set by the PCC. This value is used in all PCEP messages between PCE and PCC for the lifetime of the LSP. In this case, the value is set to 38. When the PCC or PCE sends a PCEP message with this value set, it refers to this specific LSP.

The source and destination addresses are 192.0.2.1 and 192.0.2.2, respectively. The LSP name and path name are shown in text form: *LSP-PCC-1-PCC-2::pce-controlled*.

```
10 2017/02/16 15:13:23.18 UTC MINOR: DEBUG #2001 Base PCC
"PCC: [TX-Msg: REQUEST ][001 23:53:12.130]
  Svec :{numOfReq 1}{nodeDiverse F linkDiverse F srlgDiverse F}
  Request: {id 29 PST(SegRt) 0 srcAddr 192.0.2.1 destAddr 192.0.2.2}
           {PLspId 38 tunnelId:3 lspId: 9736 lspName LSP-PCC-1-PCC-2::pce-controlled}
           {{bw 0 (0) isOpt: F}}
           {{setup 7 hold 0 exclAny 0 inclAny 0 inclAll 0 isOpt: F}}
           {{igp-met 16777215 B:F BVal:0 C:T isOpt: F}}
           {{hop-cnt 0 B:T BVal:255 C:T isOpt: F}}
```

The following shows the PCReply received by the PCC from the PCE, showing that a valid path has been computed within the constraints of the path request, and contains a list of strict IPv4 hops (isLoose flag is set to F (false), for each hop).

```
12 2017/02/16 15:13:23.26 UTC MINOR: DEBUG #2001 Base PCC
"PCC: [RX-Msg: REPLY ][001 23:53:12.210]
[Peer 192.0.2.10]
  Request: {id 29} {} Response has calculated path
           {{Total Paths: 1}}
           Path: {PST(SegRt) 0}
                {{ctype IPv4 addr 192.168.15.2/32 isLoose F}}
                {{ctype IPv4 addr 192.168.45.1/32 isLoose F}}
                {{ctype IPv4 addr 192.168.24.1/32 isLoose F}}
                {{Attr: {bw 0 te-metric 0 igp 1110 hop 3}}}
                {{      {setup 7 hold 0 exclAny 0 inclAny 0 inclAll 0}}}
```

Upon receipt of the PCReply, PCC-1 will signal the LSP with an RSVP Path message, as shown in the following output. The Path message contains an ERO comprising the same hops as those received in the PCReply.

```
29 2017/02/16 15:26:16.87 UTC MINOR: DEBUG #2001 Base RSVP
"RSVP: PATH Msg
Send PATH From:192.0.2.1, To:192.0.2.2
      TTL:255, Checksum:0xc440, Flags:0x1
MSG ID   - Flags:0x1, Epoch:10790745, MsgId:128
Session  - EndPt:192.0.2.2, TunnId:3, ExtTunnId:192.0.2.1
SessAttr - Name:LSP-PCC-1-PCC-2::pce-controlled
          SetupPri:7, HoldPri:0, Flags:0x6
RSVPHop  - Ctype:1, Addr:192.168.15.1, LIH:2
TimeValue - RefreshPeriod:180
SendTempl - Sender:192.0.2.1, LspId:9740
SendTSpec - Ctype:QOS, CDR:0.000 bps, PBS:0.000 bps, PDR:infinity
          MPU:20, MTU:8686
LabelReq - IfType:General, L3ProtID:2048
```

```

RRO      - IpAddr:192.168.15.1, Flags:0x0
ERO      - IPv4Prefix 192.168.15.2/32, Strict
          IPv4Prefix 192.168.45.1/32, Strict
          IPv4Prefix 192.168.24.1/32, Strict
"
    
```

PCC-1 receives an RSVP Resv message with the RRO containing a list of hops, with a label mapping per hop.

```

30 2017/02/16 15:26:16.88 UTC MINOR: DEBUG #2001 Base RSVP
"RSVP: RESV Msg
Recv RESV From:192.168.15.2, To:192.168.15.1
          TTL:255, Checksum:0xfa6a, Flags:0x1
MSG ID   - Flags:0x1, Epoch:14080719, MsgId:35
Session  - EndPt:192.0.2.2, TunnId:3, ExtTunnId:192.0.2.1
RSVPHop  - Ctype:1, Addr:192.168.15.2, LIH:2
TimeValue - RefreshPeriod:180
Style    - SE
FlowSpec - Ctype:QOS, CDR:0.000 bps, PBS:0.000 bps, PDR:infinity
          MPU:20, MTU:8686, RSpecRate:0, RSpecSlack:0
FilterSpec - Sender:192.0.2.1, LspId:9740, Label:262120
LspAttr  - Attribute Flags TLV 0x400000
RRO      - InterfaceIp:192.168.15.2, Flags:0x0
          Label:262120, Flags:0x1
          InterfaceIp:192.168.45.1, Flags:0x0
          Label:262105, Flags:0x1
          InterfaceIp:192.168.24.1, Flags:0x0
          Label:262134, Flags:0x1
    
```

The PCC then sends a PC LSP State Report message to the PCE with the state of the LSP set to Admin=1 (up), and OperState = 2 (up and carrying traffic).

The ERO is a copy of the ERO contained in the PCReply, and the RRO is a copy of the RRO contained in the RSVP Resv message.

```

"PCC: [TX-Msg: REPORT ][002 00:06:05.830]
[Peer 192.0.2.10]
Report : {srpId:0 PST(SegRt):0 PLspId:40 lspId: 9740 tunnelId:3}
        {Sync 0 Rem 0 AdminState 1 OperState 2 Delegate 1 Create 0}
        {srcAddr 192.0.2.1 destAddr 192.0.2.2 extTunnelId :: pathName LSP-PCC-1-PCC-2::
                                                pce-controlled}

        {Binding Type: 0 Binding Val : 0}
Lsp Constraints:
    {{bw 0 isOpt: F}}
    {{setup 7 hold 0 exclAny 0 inclAny 0 inclAll 0 isOpt: F}}
    {{igp-met 16777215 B:F BVal:0 C:T isOpt: F}}
    {{hop-cnt 0 B:T BVal:255 C:T isOpt: F}}

Ero Path:
    {{ctype IPv4 addr 192.168.15.2/32 isLoose F}}
    {{ctype IPv4 addr 192.168.45.1/32 isLoose F}}
    {{ctype IPv4 addr 192.168.24.1/32 isLoose F}}
    {{Attr: {bw 0 te-metric 0 igp 1110 hop 4}}}}
    {{      {setup 7 hold 0 exclAny 0 inclAny 0 inclAll 0}}}}

RRO:
    {{type IPv4 addr 192.168.15.1/32 Flag 0}}
    {{type IPv4 addr 192.168.15.2/32 Flag 0}}
    {{type Label label c-type 1 label 262120}}
    {{type IPv4 addr 192.168.45.1/32 Flag 0}}
    {{type Label label c-type 1 label 262105}}
    {{type IPv4 addr 192.168.24.1/32 Flag 0}}
    {{type Label label c-type 1 label 262134}}
    
```

```
{Lsp Err NA RsvpErr 0 LspDbVersion 0}
```

When the LSP has connected, the following **show** command output shows the state of the LSP Path.

```
*A:PCC-1# show router mpls lsp "LSP-PCC-1-PCC-2" path detail

=====
MPLS LSP LSP-PCC-1-PCC-2 Path (Detail)
=====
Legend :
  @ - Detour Available          # - Detour In Use
  b - Bandwidth Protected      n - Node Protected
  s - Soft Preemption
  S - Strict                    L - Loose
  A - ABR                      + - Inherited
=====
-----
LSP LSP-PCC-1-PCC-2 Path pce-controlled
-----
LSP Name          : LSP-PCC-1-PCC-2
Path LSP ID       : 9740
From              : 192.0.2.1          To              : 192.0.2.2
Admin State       : Up                Oper State       : Up
Path Name         : pce-controlled    Path Type        : Primary
Path Admin        : Up                Path Oper        : Up
Out Interface     : 1/1/1:220         Out Label        : 262114
Path Up Time      : 0d 00:09:06      Path Down Time   : 0d 00:00:00
Retry Limit       : 0                 Retry Timer       : 30 sec
Retry Attempt     : 0                 Next Retry In    : 0 sec
BFD Template      : None              BFD Ping Interval : 60
BFD Enable        : False

Adspec           : Disabled           Oper Adspec       : Disabled
CSPF              : Enabled           Oper CSPF         : Enabled
Least Fill       : Disabled           Oper LeastFill    : Disabled
FRR               : Disabled           Oper FRR          : Disabled
Propagate Adm Grp : Disabled           Oper Prop Adm Grp : Disabled
Inter-area        : False

PCE Updt ID      : 0

PCE Report        : Enabled           Oper PCE Report   : Enabled
PCE Control       : Enabled           Oper PCE Control  : Disabled
PCE Compute       : Enabled           Oper PCE Compute  : Disabled

Neg MTU           : 8686              Oper MTU          : 8686
Bandwidth         : No Reservation     Oper Bandwidth    : 0 Mbps
Hop Limit         : 255                Oper HopLimit     : 255
Record Route      : Record             Oper Record Route : Record
Record Label      : Record             Oper Record Label : Record
Setup Priority    : 7                   Oper Setup Priority : 7
Hold Priority     : 0                   Oper Hold Priority : 0
Class Type        : 0                   Oper CT           : 0
Backup CT         : None
MainCT Retry      : n/a
  Rem              :
MainCT Retry      : 0
  Limit            :
Include Groups    :                     Oper Include Groups :
None              None
Exclude Groups    :                     Oper Exclude Groups :
None              None
```

```

Adaptive       : Enabled           Oper Metric    : 1110
Preference     : n/a
Path Trans     : 3                 CSPF Queries   : 2
Failure Code   : noError
Failure Node   : n/a
Explicit Hops  :
  No Hops Specified
Actual Hops    :
  192.168.15.1 (192.0.2.1)         Record Label   : N/A
  -> 192.168.15.2 (192.0.2.5)     Record Label   : 262120
  -> 192.168.45.1 (192.0.2.4)     Record Label   : 262105
  -> 192.168.24.1 (192.0.2.2)     Record Label   : 262134
Computed Hops  :
  192.168.15.1(S)
  -> 192.168.15.2(S)
  -> 192.168.45.1(S)
  -> 192.168.24.1(S)
Resignal Eligible: False
Last Resignal  : n/a              CSPF Metric    : 1110
=====
    
```

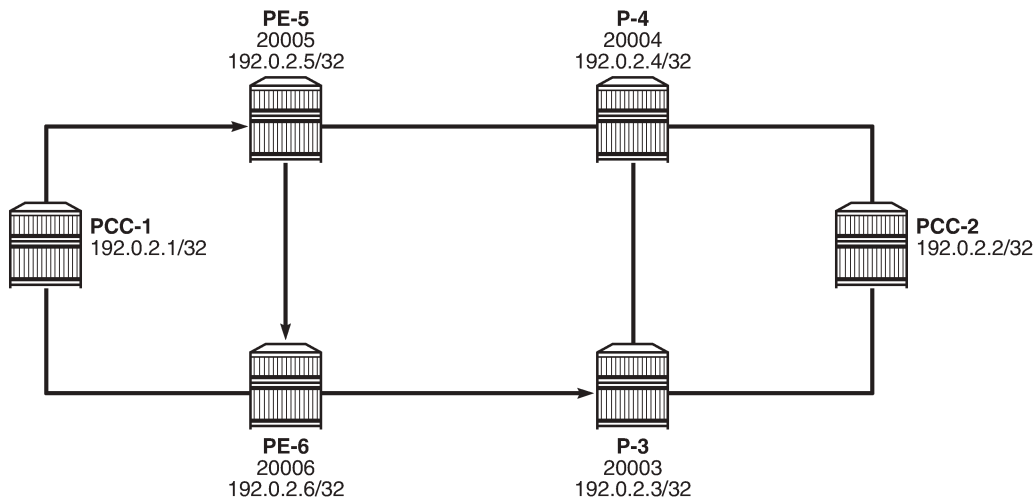
PCE-Computed RSVP-TE LSP with Strict Hop Path

It is possible for the PCC to influence the path computed by the PCE by including a primary path with one or more explicit hops. This path is translated into a list of hops in the Include Route Object (IRO) in the PCEP PC Request, which is sent from the PCC to the PCE at the time of the path request.

The PCE will take the hops listed in the IRO into account when computing an end-to-end path, as the following example shows.

[Figure 18: RSVP-TE LSP with Strict Hops](#) shows an RSVP-TE LSP with source PCC-1 and destination PCC-2, which has a requirement to follow a path via PE-5, PE-6, and P-3.

Figure 18: RSVP-TE LSP with Strict Hops



26510

The following output shows the path converted to a list of strict hops.

```
*A:PCC-1>config>router>mpls# path pce-controlled-strict
```



```

-----
hop 1 192.0.2.5 strict
hop 2 192.0.2.6 strict
hop 3 192.0.2.3 strict
no shutdown

```

The use of strict hops requires that each consecutive hop must be contiguous from the previous hop. Applying this path to an RSVP-TE LSP with PCEP commands included is as follows:

```

*A:PCC-1>config>router>mpls# lsp "PCC-1-PCC-2-RSVP-PCE-strict-001"
-----
to 192.0.2.2
cspf
pce-computation
pce-report enable
pce-control
primary "pce-controlled-strict"
exit
no shutdown

```

The following **show** command output shows that the LSP path is connected.

```

*A:PCC-1# show router mpls lsp "PCC-1-PCC-2-RSVP-PCE-strict-001" path detail

```

```

=====
MPLS LSP PCC-1-PCC-2-RSVP-PCE-strict-001 Path (Detail)
=====
Legend :
  @ - Detour Available          # - Detour In Use
  b - Bandwidth Protected      n - Node Protected
  s - Soft Preemption
  S - Strict                    L - Loose
  A - ABR                       + - Inherited
=====
LSP PCC-1-PCC-2-RSVP-PCE-strict-001 Path pce-controlled-strict
-----
LSP Name       : PCC-1-PCC-2-RSVP-PCE-strict-001
Path LSP ID    : 31746
From           : 192.0.2.1          To           : 192.0.2.2
Admin State    : Up                Oper State    : Up
Path Name      : pce-controlled-strict
Path Type      : Primary
Path Admin     : Up                Path Oper     : Up
Out Interface  : 1/1/1:220          Out Label     : 262088
Path Up Time   : 0d 00:00:53       Path Down Time : 0d 00:00:00
Retry Limit    : 0                 Retry Timer    : 30 sec
Retry Attempt  : 0                 Next Retry In  : 0 sec
BFDD Template  : None              BFDD Ping Interval : 60
BFDD Enable    : False

Adspec         : Disabled          Oper Adspec    : Disabled
CSPF           : Enabled           Oper CSPF       : Enabled
Least Fill     : Disabled          Oper LeastFill  : Disabled
FRR            : Disabled          Oper FRR        : Disabled
Propagate Adm Grp: Disabled       Oper Prop Adm Grp : Disabled
Inter-area     : False

PCE Updt ID    : 0

PCE Report     : Enabled           Oper PCE Report  : Enabled
PCE Control    : Enabled           Oper PCE Control  : Enabled

```

```

PCE Compute      : Enabled          Oper PCE Compute   : Enabled
Neg MTU          : 8686             Oper MTU           : 8686
Bandwidth        : No Reservation   Oper Bandwidth     : 0 Mbps
Hop Limit        : 255              Oper HopLimit      : 255
Record Route     : Record           Oper Record Route  : Record
Record Label     : Record           Oper Record Label  : Record
Setup Priority    : 7                Oper Setup Priority : 7
Hold Priority     : 0                Oper Hold Priority  : 0
Class Type       : 0                Oper CT            : 0
Backup CT        : None
MainCT Retry     : n/a
  Rem            :
MainCT Retry     : 0
  Limit         :
Include Groups   :                  Oper Include Groups :
None                                                     None
Exclude Groups   :                  Oper Exclude Groups :
None                                                     None

Adaptive         : Enabled          Oper Metric        : 2200
Preference       : n/a
Path Trans       : 3                CSPF Queries       : 0
Failure Code     : noError
Failure Node     : n/a
Explicit Hops    :
  192.0.2.5(S)   -> 192.0.2.6(S)   -> 192.0.2.3(S)
Actual Hops      :
  192.168.15.1 (192.0.2.1)          Record Label       : N/A
-> 192.168.15.2 (192.0.2.5)          Record Label       : 262088
-> 192.168.56.2 (192.0.2.6)          Record Label       : 262088
-> 192.168.36.1 (192.0.2.3)          Record Label       : 262070
-> 192.168.23.1 (192.0.2.2)          Record Label       : 262112
Computed Hops    :
  192.168.15.2(S)
-> 192.168.56.2(S)
-> 192.168.36.1(S)
-> 192.168.23.1(S)
Resignal Eligible: False
Last Resignal    : n/a              CSPF Metric        : 2200
    
```

The explicit hops of the path configuration are shown, with the "(S)" signifying that the hops are configured as strict hops. The "Actual Hops" show that the strict hops are enforced as per the RSVP-TE LSP configuration. The "Computed Hops" are taken from the Path object in PCEP Reply, as shown in the following debug output.

Debug: PCEP Messaging for Path Computation

The PCC sends a PCReq message to the PCE requesting the computation of an RSVP-TE Path. The source and destination addresses are 192.0.2.1 and 192.0.2.2, respectively. The LSP name and path name are shown in text form: *PCC-1-PCC-2-RSVP-PCE-strict-001::pce-controlled-strict*. The request contains an IRO, containing the configured hops from the MPLS path configuration. Each hop contains an isLoose flag set to F (false), which implies that the hop is strict (that is, not loose). The following debug output shows the PCEP messaging.

```

UTC MINOR: DEBUG #2001 Base PCC
"PCC: [TX-Msg: REQUEST ]
  Svec :{numOfReq 1}{nodeDiverse F linkDiverse F srlgDiverse F}
  Request: {id 13281 PST(SegRt) 0 srcAddr 192.0.2.1 destAddr 192.0.2.2}
    
```

```

    {PLspId 13314 tunnelId:2 lspId: 31746 lspName PCC-1-PCC-2-RSVP-PCE-strict-
001::pce-controlled-strict}
    {{bw 0 (0) isOpt: F}}
    {{setup 7 hold 0 exclAny 0 inclAny 0 inclAll 0 isOpt: F}}
    {{igp-met 16777215 B:F BVal:0 C:T isOpt: F}}
    {{hop-cnt 0 B:T BVal:255 C:T isOpt: F}}
    {{iro isOpt: F}}
    {{ctype IPv4 addr 192.0.2.5/0 isLoose F}}
    {{ctype IPv4 addr 192.0.2.6/0 isLoose F}}
    {{ctype IPv4 addr 192.0.2.3/0 isLoose F}}
"

```

The PCReply received by PCC-1 from the PCE has computed a valid path. This is shown in the following output.

```

6 2017/03/15 15:36:05.55 UTC MINOR: DEBUG #2001 Base PCC
"PCC: [RX-Msg: REPLY ][022 01:06:53.520]
[Peer 192.0.2.10]
Request: {id 13281} {} Response has calculated path
  {{Total Paths: 1}}
  Path: {PST(SegRt) 0}
    {{ctype IPv4 addr 192.168.15.2/32 isLoose F}}
    {{ctype IPv4 addr 192.168.56.2/32 isLoose F}}
    {{ctype IPv4 addr 192.168.36.1/32 isLoose F}}
    {{ctype IPv4 addr 192.168.23.1/32 isLoose F}}
    {{Attr: {bw 0 te-metric 0 igp 2200 hop 4}}}
    {{      {setup 7 hold 0 exclAny 0 inclAny 0 inclAll 0}}}
"

```

The path in the PCReply is the path replicated in the "Computed Hops" of the preceding **show router mpls lsp path detail** command output.

Upon receipt of the PCReply from the PCE, the PCC uses the computed hops from the PCReply in the ERO of the RSVP Path message.

```

7 2017/03/15 15:36:05.54 UTC MINOR: DEBUG #2001 Base RSVP
"RSVP: PATH Msg
Send PATH From:192.0.2.1, To:192.0.2.2
  TTL:255, Checksum:0x5311, Flags:0x1
MSG ID   - Flags:0x1, Epoch:2387139, MsgId:8165
Session  - EndPt:192.0.2.2, TunnId:2, ExtTunnId:192.0.2.1
SessAttr - Name:PCC-1-PCC-2-RSVP-PCE-strict-001::pce-controlled-strict
          SetupPri:7, HoldPri:0, Flags:0x6
RSVPHop  - Ctype:1, Addr:192.168.15.1, LIH:2
TimeValue - RefreshPeriod:180
SendTempl - Sender:192.0.2.1, LspId:31746
SendTSpec - Ctype:QOS, CDR:0.000 bps, PBS:0.000 bps, PDR:infinity
          MPU:20, MTU:8686
LabelReq  - IfType:General, L3ProtID:2048
RR0       - IpAddr:192.168.15.1, Flags:0x0
ERO      - IPv4Prefix 192.168.15.2/32, Strict
          IPv4Prefix 192.168.56.2/32, Strict
          IPv4Prefix 192.168.36.1/32, Strict
          IPv4Prefix 192.168.23.1/32, Strict
"

```

A PCEP Report is then sent to the PCE when the path is connected.

```

8 2017/03/15 15:36:05.56 UTC MINOR: DEBUG #2001 Base PCC
"PCC: [TX-Msg: REPORT ][022 01:06:53.540]
[Peer 192.0.2.10]

```

```

Report : {srpId:0 PST(SegRt):0 PLspId:13314 lspId: 31746 tunnelId:2}
{Sync 0 Rem 0 AdminState 1 OperState 2 Delegate 1 Create 0}
{srcAddr 192.0.2.1 destAddr 192.0.2.2 extTunnelId ::
  pathName PCC-1-PCC-2-rsvp-pce-strict-001::pce-controlled-strict}
{Binding Type: 0 Binding Val : 0}
Lsp Constraints:
  {{bw 0 isOpt: F}}
  {{setup 7 hold 0 exclAny 0 inclAny 0 inclAll 0 isOpt: F}}
  {{igp-met 16777215 B:F BVal:0 C:T isOpt: F}}
  {{hop-cnt 0 B:T BVal:255 C:T isOpt: F}}
  {{iro isOpt: F}}
  {{ctype IPv4 addr 192.0.2.5/0 isLoose F}}
  {{ctype IPv4 addr 192.0.2.6/0 isLoose F}}
  {{ctype IPv4 addr 192.0.2.3/0 isLoose F}}
Ero Path:
  {{ctype IPv4 addr 192.168.15.2/32 isLoose F}}
  {{ctype IPv4 addr 192.168.56.2/32 isLoose F}}
  {{ctype IPv4 addr 192.168.36.1/32 isLoose F}}
  {{ctype IPv4 addr 192.168.23.1/32 isLoose F}}
  {{Attr: {bw 0 te-metric 0 igp 2200 hop 5}}}
  {{ {setup 7 hold 0 exclAny 0 inclAny 0 inclAll 0}}}
RR0:
  {{type IPv4 addr 192.168.15.1/32 Flag 0}}
  {{type IPv4 addr 192.168.15.2/32 Flag 0}}
  {{type Label label c-type 1 label 262088}}
  {{type IPv4 addr 192.168.56.2/32 Flag 0}}
  {{type Label label c-type 1 label 262088}}
  {{type IPv4 addr 192.168.36.1/32 Flag 0}}
  {{type Label label c-type 1 label 262070}}
  {{type IPv4 addr 192.168.23.1/32 Flag 0}}
  {{type Label label c-type 1 label 262112}}
{Lsp Err NA RsvpErr 0 LspDbVersion 0}
"

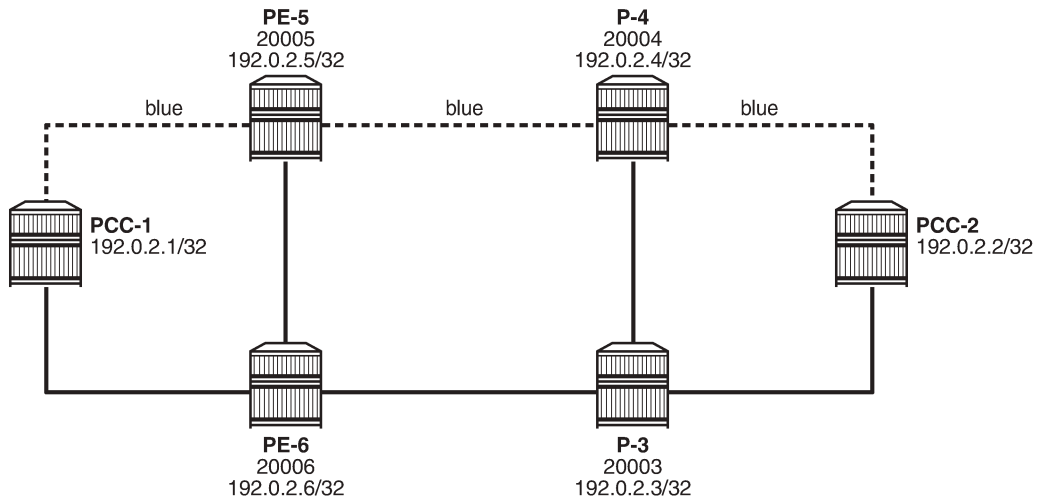
```

PCE-Computed RSVP-TE LSP with Primary and Secondary Paths using Admin Groups for Diversity

The PCE can compute primary and secondary paths on behalf of the PCC. Admin groups can be used to ensure that the zero-hop paths are diverse.

[Figure 19: Admin Groups](#) shows that there are two diverse paths between PCC-1 and PCC-2. The upper path via PE-5 and P-4 will have interfaces configured with an admin group called "blue".

Figure 19: Admin Groups



26511

Admin groups are configured under the **configure router** context, and are applied to the router interface under the **configure router mpls** context. The following output is an example of an admin group created and applied on router PCC-1.

```
A:PCC-1>config>router# info
-----
if-attribute
  admin-group "blue" value 10
exit
mpls
  interface "int-PCC-1-PE-5"
    admin-group "blue"
    no shutdown
  exit
exit
```

Similarly, for PE-5, the admin group configuration is as follows:

```
A:PE-5>config>router# info
-----
if-attribute
  admin-group "blue" value 10
exit
mpls
  interface "int-PE-5-PCC-1"
    admin-group "blue"
    no shutdown
  exit
  interface "int-PE-5-P-4"
    admin-group "blue"
    no shutdown
  exit
exit
```

The admin group is also configured on P-4 and on PCC-2, so that there is a continuous path between PCC-1 and PCC-2 comprising interfaces that are included in the admin group. The **value** argument within the admin group configuration must be configured with the same value on each router; in this case, 10.

The presence of the admin group on each interface is advertised by IS-IS, so that each router is aware of all interfaces in the admin group. The PCE is also aware of the admin groups via its topology database.

In this example, a primary and secondary path will be used, so it is necessary to configure two separate MPLS path statements, as in the following output (primary and secondary paths of the same LSP cannot use the same MPLS path).

```
*A:PCC-1>config>router>mpls# info
-----
    path "pce-secondary"
      no shutdown
    exit
    path "pce-controlled"
      no shutdown
    exit
```

These path statements are applied within the configuration of the LSP and the admin group constraints are applied to each path, as in the following output.

```
lsp "PCC-1-PCC-2-RSVP-PCE-ag-001"
  to 192.0.2.2
  cspf
  pce-computation
  pce-report enable
  pce-control
  primary "pce-controlled"
    include "blue"
  exit
  secondary "pce-secondary"
    standby
    exclude "blue"
  exit
  no shutdown
```

The primary path must follow the path where the interfaces are included in the admin group "blue", whereas the secondary must not use any interface in the admin group; therefore, the **exclude "blue"** command within the **secondary** context. The secondary is configured as standby, so will be connected.

Debug: PCEP Requests for Primary and Secondary Paths

When the LSP is placed into a "no shutdown" state, the router initiates a separate PCEP Request for each of the primary and secondary paths, as shown in the following debug output.

```
#Primary Path Request
UTC MINOR: DEBUG #2001 Base PCC
"PCC: [TX-Msg: REQUEST ][023 00:15:04.160]
  Svec :{numOfReq 1}{nodeDiverse F linkDiverse F srlgDiverse F}
  Request: {id 13284 PST(SegRt) 0 srcAddr 192.0.2.1 destAddr 192.0.2.2}
           {PLspId 13317 tunnelId:4 lspId: 49158
            lspName PCC-1-PCC-2-rsvp-pce-ag-001::pce-controlled}
           {{bw 0 (0) isOpt: F}}
           {{setup 7 hold 0 exclAny 0 inclAny 1024 inclAll 0 isOpt: F}}
           {{igp-met 16777215 B:F BVal:0 C:T isOpt: F}}
           {{hop-cnt 0 B:T BVal:255 C:T isOpt: F}}
```

```

"
#Secondary Path Request
UTC MINOR: DEBUG #2001 Base PCC
"PCC: [TX-Msg: REQUEST ][023 00:15:04.160]
  Svec :{numOfReq 1}{nodeDiverse F linkDiverse F srlgDiverse F}
  Request: {id 13285 PST(SegRt) 0 srcAddr 192.0.2.1 destAddr 192.0.2.2}
           {PLspId 13318 tunnelId:4 lspId: 49154
            lspName PCC-1-PCC-2-rsvp-pce-ag-001::pce-secondary}
           {{bw 0 (0) isOpt: F}}
           {{setup 7 hold 0 exclAny 1024 inclAny 0 inclAll 0 isOpt: F}}
           {{igp-met 16777215 B:F BVal:0 C:T isOpt: F}}
           {{hop-cnt 0 B:T BVal:255 C:T isOpt: F}}
"

```

The PCEP message exchange can be identified by the request ID, and the textual LSP Name and path name are visible. The request message also shows that the admin group is signaled via the "inclAny 1024" and "exclAny 1024". The argument of 1024 corresponds to the original **value** of 10, where the admin group argument signaled = 2value = (210) = 1024, as configured within the **configure router if-attribute** context.

The following debug output corresponds to the PCReply to the PCReq for the primary path - they have the same request ID of 13284. A valid path has been computed and a list of strict hops (**isLoose = F**) is returned.

```

22 2017/03/16 14:44:16.29 UTC MINOR: DEBUG #2001 Base PCC
"PCC: [RX-Msg: REPLY ][023 00:15:04.260]
[Peer 192.0.2.10]
  Request: {id 13284} {} Response has calculated path
           {{Total Paths: 1}}
           Path: {PST(SegRt) 0}
                {{ctype IPv4 addr 192.168.15.2/32 isLoose F}}
                {{ctype IPv4 addr 192.168.45.1/32 isLoose F}}
                {{ctype IPv4 addr 192.168.24.1/32 isLoose F}}
                {{Attr: {bw 0 te-metric 0 igp 2100 hop 3}}}
                {{      {setup 7 hold 0 exclAny 0 inclAny 1024 inclAll 0}}}
"

```

When the PCEP Reply is received with a valid path, PCC-1 originates an RSVP Path message, as in the following debug output.

```

23 2017/03/16 14:44:16.29 UTC MINOR: DEBUG #2001 Base RSVP
"RSVP: PATH Msg
Send PATH From:192.0.2.1, To:192.0.2.2
      TTL:255, Checksum:0x6575, Flags:0x1
MSG ID   - Flags:0x1, Epoch:2387139, MsgId:8389
Session  - EndPt:192.0.2.2, TunnId:4, ExtTunnId:192.0.2.1
SessAttr - Name:PCC-1-PCC-2-RSVP-PCE-ag-001::pce-controlled
          SetupPri:7, HoldPri:0, Flags:0x6
RSVPHop  - Ctype:1, Addr:192.168.15.1, LIH:2
TimeValue - RefreshPeriod:180
SendTempl - Sender:192.0.2.1, LspId:49158
SendTSpec - Ctype:QOS, CDR:0.000 bps, PBS:0.000 bps, PDR:infinity
          MPU:20, MTU:8686
LabelReq - IfType:General, L3ProtID:2048
RR0      - IpAddr:192.168.15.1, Flags:0x0
ER0      - IPv4Prefix 192.168.15.2/32, Strict
          IPv4Prefix 192.168.45.1/32, Strict
          IPv4Prefix 192.168.24.1/32, Strict
"

```

An RSVP Resv message is received, as follows:

```
24 2017/03/16 14:44:16.30 UTC MINOR: DEBUG #2001 Base RSVP
"RSVP: RESV Msg
Recv RESV From:192.168.15.2, To:192.168.15.1
      TTL:255, Checksum:0xcda7, Flags:0x1
MSG ID   - Flags:0x1, Epoch:16280838, MsgId:185
Session  - EndPt:192.0.2.2, TunnId:4, ExtTunnId:192.0.2.1
FlowSpec - Ctype:QOS, CDR:0.000 bps, PBS:0.000 bps, PDR:infinity
      MPU:20, MTU:8686, RSpecRate:0, RSpecSlack:0
FilterSpec - Sender:192.0.2.1, LspId:49158, Label:262107
LspAttr  - Attribute Flags TLV  0x400000
RR0      - InterfaceIp:192.168.15.2, Flags:0x0
      Label:262107, Flags:0x1
      InterfaceIp:192.168.45.1, Flags:0x0
      Label:262090, Flags:0x1
      InterfaceIp:192.168.24.1, Flags:0x0
      Label:262136, Flags:0x1
"
```

PCC-1 now originates a PCEP Report and forwards it to the PCE, reporting the state of the LSP.

```
UTC MINOR: DEBUG #2001 Base PCC
"PCC: [TX-Msg: REPORT ][023 00:15:04.270]
[Peer 192.0.2.10]
  Report : {srpId:0 PST(SegRt):0 PLspId:13317 lspId: 49158 tunnelId:4}
    {Sync 0 Rem 0 AdminState 1 OperState 2 Delegate 1 Create 0}
    {srcAddr 192.0.2.1 destAddr 192.0.2.2 extTunnelId :: pathName PCC-1-PCC-2-
rsvp-pce-ag-001::pce-controlled}
    {Binding Type: 0 Binding Val : 0}
  Lsp Constraints:
    {{bw 0 isOpt: F}}
    {{setup 7 hold 0 exclAny 0 inclAny 1024 inclAll 0 isOpt: F}}
    {{igp-met 16777215 B:F BVal:0 C:T isOpt: F}}
    {{hop-cnt 0 B:T BVal:255 C:T isOpt: F}}
  Ero Path:
    {{ctype IPv4 addr 192.168.15.2/32 isLoose F}}
    {{ctype IPv4 addr 192.168.45.1/32 isLoose F}}
    {{ctype IPv4 addr 192.168.24.1/32 isLoose F}}
    {{Attr: {bw 0 te-metric 0 igp 2100 hop 4}}}
    {{      {setup 7 hold 0 exclAny 0 inclAny 1024 inclAll 0}}}
  RR0:
    {{type IPv4 addr 192.168.15.1/32 Flag 0}}
    {{type IPv4 addr 192.168.15.2/32 Flag 0}}
    {{type Label label c-type 1 label 262107}}
    {{type IPv4 addr 192.168.45.1/32 Flag 0}}
    {{type Label label c-type 1 label 262090}}
    {{type IPv4 addr 192.168.24.1/32 Flag 0}}
    {{type Label label c-type 1 label 262136}}
  {Lsp Err NA RsvpErr 0 LspDbVersion 0}
"
```

A valid path for the secondary LSP path is shown in the second PCEP Reply with a request ID of 13285. The message also contains a non-zero value (set to 1024) for the **exclAny** parameter, so that the computation excludes the "blue" admin group.

The list of hops is shown in the following output.

```
UTC MINOR: DEBUG #2001 Base PCC
"PCC: [RX-Msg: REPLY ][023 00:15:04.290]
[Peer 192.0.2.10]
  Request: {id 13285} {} Response has calculated path
```



```

    {{Total Paths: 1}}
    Path: {PST(SegRt) 0}
        {{ctype IPv4 addr 192.168.16.2/32 isLoose F}}
        {{ctype IPv4 addr 192.168.36.1/32 isLoose F}}
        {{ctype IPv4 addr 192.168.23.1/32 isLoose F}}
        {{Attr: {bw 0 te-metric 0 igp 2100 hop 3}}}
    {{
        {setup 7 hold 0 exclAny 1024 inclAny 0 inclAll 0}}}
    "

```

When the PCEP Reply is received, the list of hops is used within the ERO of the RSVP Path message.

```

UTC MINOR: DEBUG #2001 Base RSVP
"RSVP: PATH Msg
Send PATH From:192.0.2.1, To:192.0.2.2
    TTL:255, Checksum:0xd66a, Flags:0x1
MSG ID    - Flags:0x1, Epoch:2387139, MsgId:8390
Session   - EndPt:192.0.2.2, TunnId:4, ExtTunnId:192.0.2.1
SessAttr  - Name:PCC-1-PCC-2-RSVP-PCE-ag-001::pce-secondary
            SetupPri:7, HoldPri:0, Flags:0x6
RSVPHop   - Ctype:1, Addr:192.168.16.1, LIH:3
TimeValue - RefreshPeriod:180
SendTempl - Sender:192.0.2.1, LspId:49154
SendTSpec - Ctype:QOS, CDR:0.000 bps, PBS:0.000 bps, PDR:infinity
            MPU:20, MTU:8690
LabelReq  - IfType:General, L3ProtID:2048
RRO       - IpAddr:192.168.16.1, Flags:0x0
ERO       - IPv4Prefix 192.168.16.2/32, Strict
            IPv4Prefix 192.168.36.1/32, Strict
            IPv4Prefix 192.168.23.1/32, Strict
"

```

An RSVP Resv message is received containing the RRO with the label allocations for each hop.

```

29 2017/03/16 14:44:16.32 UTC MINOR: DEBUG #2001 Base RSVP
"RSVP: RESV Msg
Recv RESV From:192.168.16.2, To:192.168.16.1
    TTL:255, Checksum:0xdf1f, Flags:0x1
MSG ID    - Flags:0x1, Epoch:5527111, MsgId:200
Session   - EndPt:192.0.2.2, TunnId:4, ExtTunnId:192.0.2.1
FlowSpec  - Ctype:QOS, CDR:0.000 bps, PBS:0.000 bps, PDR:infinity
            MPU:20, MTU:8690, RSpecRate:0, RSpecSlack:0
FilterSpec - Sender:192.0.2.1, LspId:49154, Label:262112
LspAttr   - Attribute Flags TLV 0x400000
RRO       - InterfaceIp:192.168.16.2, Flags:0x0
            Label:262112, Flags:0x1
            InterfaceIp:192.168.36.1, Flags:0x0
            Label:262068, Flags:0x1
            InterfaceIp:192.168.23.1, Flags:0x0
            Label:262111, Flags:0x1
"

```

When PCC-1 receives an RSVP Resv message in response to the Path message, it will send a PCEP Report to the PCE to report the state of the secondary LSP path.

```

UTC MINOR: DEBUG #2001 Base PCC
"PCC: [TX-Msg: REPORT ][023 00:15:04.300]
[Peer 192.0.2.10]
  Report : {srpId:0 PST(SegRt):0 PLspId:13318 lspId: 49154 tunnelId:4}
           {Sync 0 Rem 0 AdminState 1 OperState 1 Delegate 1 Create 0}
           {srcAddr 192.0.2.1 destAddr 192.0.2.2 extTunnelId :: pathName PCC-1-PCC-2-
rsvp-pce-ag-001::pce-secondary}
           {Binding Type: 0 Binding Val : 0}
"

```

```
Lsp Constraints:
    {{bw 0 isOpt: F}}
    {{setup 7 hold 0 exclAny 1024 inclAny 0 inclAll 0 isOpt: F}}
    {{igp-met 16777215 B:F BVal:0 C:T isOpt: F}}
    {{hop-cnt 0 B:T BVal:255 C:T isOpt: F}}
Ero Path:
    {{ctype IPv4 addr 192.168.16.2/32 isLoose F}}
    {{ctype IPv4 addr 192.168.36.1/32 isLoose F}}
    {{ctype IPv4 addr 192.168.23.1/32 isLoose F}}
    {{Attr: {bw 0 te-metric 0 igp 2100 hop 4}}}
    {{      {setup 7 hold 0 exclAny 1024 inclAny 0 inclAll 0}}}
RR0:
    {{type IPv4 addr 192.168.16.1/32 Flag 0}}
    {{type IPv4 addr 192.168.16.2/32 Flag 0}}
    {{type Label label c-type 1 label 262112}}
    {{type IPv4 addr 192.168.36.1/32 Flag 0}}
    {{type Label label c-type 1 label 262068}}
    {{type IPv4 addr 192.168.23.1/32 Flag 0}}
    {{type Label label c-type 1 label 262111}}
{Lsp Err NA RsvpErr 0 LspDbVersion 0}
```

Verification

The following show command output shows the state of the primary path after connection.

```
A:PCC-1# show router mpls lsp "PCC-1-PCC-2-RSVP-PCE-ag-001" path "pce-controlled" detail
=====
MPLS LSP PCC-1-PCC-2-RSVP-PCE-ag-001 Path pce-controlled (Detail)
=====
Legend :
@ - Detour Available          # - Detour In Use
b - Bandwidth Protected      n - Node Protected
s - Soft Preemption
S - Strict                   L - Loose
A - ABR                      + - Inherited
=====
-----
LSP PCC-1-PCC-2-RSVP-PCE-ag-001 Path pce-controlled
-----
LSP Name          : PCC-1-PCC-2-RSVP-PCE-ag-001
Path LSP ID      : 49158
From             : 192.0.2.1          To             : 192.0.2.2
Admin State      : Up                Oper State      : Up
Path Name        : pce-controlled    Path Type       : Primary
Path Admin       : Up                Path Oper       : Up
Out Interface    : 1/1/1:220         Out Label       : 262107
Path Up Time     : 0d 00:36:46       Path Down Time  : 0d 00:00:00
Retry Limit      : 0                 Retry Timer     : 30 sec
Retry Attempt    : 0                 Next Retry In   : 0 sec
BFDD Template    : None              BFDD Ping Interval : 60
BFDD Enable      : False

Adspec           : Disabled          Oper Adspec     : Disabled
CSPP             : Enabled           Oper CSPP       : Enabled
Least Fill       : Disabled          Oper LeastFill  : Disabled
FRR              : Disabled          Oper FRR        : Disabled
Propagate Adm Grp: Disabled          Oper Prop Adm Grp : Disabled
Inter-area       : False

PCE Updt ID     : 0
```

```

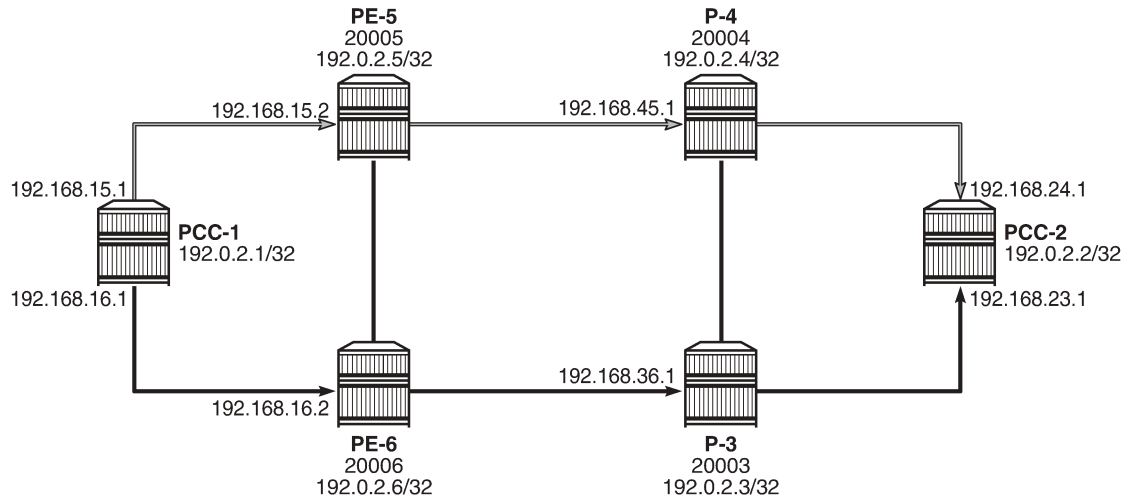
PCE Report      : Enabled          Oper PCE Report      : Enabled
PCE Control     : Enabled          Oper PCE Control     : Enabled
PCE Compute     : Enabled          Oper PCE Compute     : Enabled

Neg MTU         : 8686              Oper MTU             : 8686
Bandwidth       : No Reservation    Oper Bandwidth       : 0 Mbps
Hop Limit       : 255               Oper HopLimit        : 255
Record Route    : Record            Oper Record Route    : Record
Record Label    : Record            Oper Record Label    : Record
Setup Priority   : 7                 Oper Setup Priority   : 7
Hold Priority    : 0                 Oper Hold Priority    : 0
Class Type      : 0                 Oper CT               : 0
Backup CT       : None
MainCT Retry    : n/a
  Rem           :
MainCT Retry    : 0
  Limit        :
Include Groups : Oper Include Groups :
blue           : blue
Exclude Groups  : Oper Exclude Groups :
None            : None

Adaptive        : Enabled          Oper Metric           : 2100
Preference      : n/a
Path Trans      : 5                 CSPF Queries          : 0
Failure Code    : noError
Failure Node    : n/a
Explicit Hops   :
  No Hops Specified
Actual Hops     :
  192.168.15.1 (192.0.2.1)          Record Label         : N/A
  -> 192.168.15.2 (192.0.2.5)          Record Label         : 262107
  -> 192.168.45.1 (192.0.2.4)          Record Label         : 262090
  -> 192.168.24.1 (192.0.2.2)          Record Label         : 262136
Computed Hops   :
  192.168.15.2(S)
  -> 192.168.45.1(S)
  -> 192.168.24.1(S)
Resignal Eligible: False
Last Resignal   : n/a              CSPF Metric           : 2100
    
```

Comparing the Actual Hop with the addresses in [Figure 20: Diverse Primary and Secondary Paths](#) , the path signaled uses the router interfaces configured with the admin group "blue".

Figure 20: Diverse Primary and Secondary Paths



26512

The following output shows that the Actual Hops for the secondary path excludes the admin group "blue", as in [Figure 20: Diverse Primary and Secondary Paths](#). The output also shows that the "exclude groups" and "oper exclude groups" are marked with the admin group "blue".

```
A:PCC-1# show router mpls lsp "PCC-1-PCC-2-RSVP-PCE-ag-001" path "pce-secondary" detail
```

```
=====
MPLS LSP PCC-1-PCC-2-RSVP-PCE-ag-001 Path pce-secondary (Detail)
=====
```

Legend :

```
@ - Detour Available          # - Detour In Use
b - Bandwidth Protected      n - Node Protected
s - Soft Preemption
S - Strict                    L - Loose
A - ABR                       + - Inherited
```

```
-----
LSP PCC-1-PCC-2-RSVP-PCE-ag-001 Path pce-secondary
-----
```

```
LSP Name       : PCC-1-PCC-2-RSVP-PCE-ag-001
Path LSP ID    : 49154
From           : 192.0.2.1          To           : 192.0.2.2
Admin State    : Up                 Oper State    : Up
Path Name      : pce-secondary      Path Type     : Standby
Path Admin     : Up                 Path Oper     : Up
Out Interface  : 1/1/2              Out Label     : 262112
Path Up Time   : 0d 00:44:02        Path Down Time : 0d 00:00:00
Retry Limit    : 0                  Retry Timer    : 30 sec
Retry Attempt  : 0                  Next Retry In  : 0 sec
BFDD Template  : None               BFDD Ping Interval : 60

Adspec        : Disabled             Oper Adspec    : Disabled
CSPF          : Enabled              Oper CSPF      : Enabled
```

```

Least Fill      : Disabled          Oper LeastFill      : Disabled
Propagate Adm Grp: Disabled        Oper Prop Adm Grp   : Disabled
Inter-area     : False

PCE Updt ID    : 0

PCE Report     : Enabled           Oper PCE Report     : Enabled
PCE Control    : Enabled           Oper PCE Control    : Enabled
PCE Compute    : Enabled           Oper PCE Compute    : Enabled

Neg MTU        : 8690              Oper MTU            : 8690
Bandwidth      : No Reservation    Oper Bandwidth      : 0 Mbps
Hop Limit      : 255               Oper HopLimit       : 255
Record Route   : Record            Oper Record Route   : Record
Record Label   : Record            Oper Record Label   : Record
Setup Priority  : 7                 Oper Setup Priority  : 7
Hold Priority   : 0                 Oper Hold Priority   : 0
Class Type     : 0                 Oper CT             : 0
Include Groups :                   Oper Include Groups :
None
Exclude Groups : Oper Exclude Groups :
blue             blue

Adaptive       : Enabled           Oper Metric         : 2100
Preference     : 255
Path Trans     : 1                 CSPF Queries       : 0
Failure Code   : noError
Failure Node   : n/a
Explicit Hops  :
  No Hops Specified
Actual Hops    :
  192.168.16.1 (192.0.2.1)         Record Label       : N/A
  -> 192.168.16.2 (192.0.2.6)     Record Label       : 262112
  -> 192.168.36.1 (192.0.2.3)     Record Label       : 262068
  -> 192.168.23.1 (192.0.2.2)     Record Label       : 262111
Computed Hops  :
  192.168.16.2(S)
  -> 192.168.36.1(S)
  -> 192.168.23.1(S)
Srlg          : Disabled
Srlg Disjoint : False
Resignal Eligible: False
Last Resignal : n/a               CSPF Metric        : 2100
=====

```

Conclusion

PCEP support for RSVP-TE LSPs extends the use of MPLS labels into traffic engineering applications. This example provides the configuration for PCE controlled and computed RSVP-TE LSPs together with the associated commands and outputs that can be used for verifying and troubleshooting.

Seamless BFD for SR-TE LSPs

This chapter describes seamless BFD for SR-TE LSPs.

Topics in this chapter include:

- [Applicability](#)
- [Overview](#)
- [Configuration](#)
- [Conclusion](#)

Applicability

This chapter was initially written based on SR OS Release 19.10.R1, but the configuration in the current edition is based on SR OS Release 23.3.R3. BFD for RSVP-TE LSPs is supported in SR OS Release 13.0, and later. Seamless BFD for SR-TE LSPs is supported in SR OS Release 19.10.R1, and later.

Overview

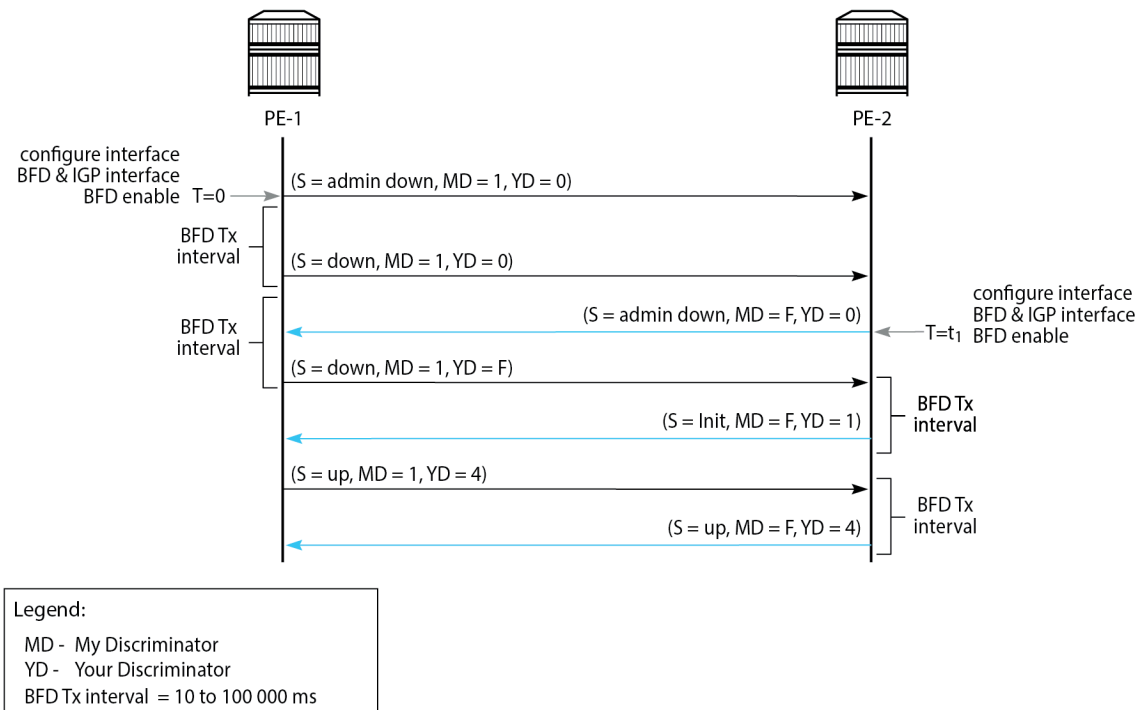
Bidirectional Forwarding Detection (BFD) is widely deployed in IP/MPLS networks to rapidly detect failures in the forwarding path between network elements. In this chapter, a comparison is made between classical BFD and seamless BFD (S-BFD).

Classical BFD

Classical BFD, described in RFC 5880, requires little overhead. However, the handshake mechanism to negotiate and set up two-way BFD sessions between network elements can take several seconds. RFC 5880 specifies two modes of operation: asynchronous mode and on-demand mode. Additionally, the BFD echo function loops back BFD echo packets to the sender.

Classical BFD is applied to the interface. In asynchronous mode, sessions are established. Network elements periodically send BFD control packets to one another. Discriminators are used as a session demultiplexer to distinguish between BFD sessions. The transmitting network element generates a unique non-zero discriminator value, which is exchanged as part of the session handshake establishment. [Figure 21: Classical BFD handshake](#) shows the classical BFD handshake for a single hop across an IP link.

Figure 21: Classical BFD handshake



35626

BFD for MPLS LSPs

BFD is supported for RSVP-TE LSPs and for LDP LSPs, as described in the "BFD for RSVP-TE and LDP LSPs" chapter in *7450 ESS, 7750 SR, 7950 XRS, and VSR MPLS Advanced Configuration Guide for Classic CLI*.

BFD for MPLS LSPs is described in RFC 5884. For continuity checks in MPLS LSPs, BFD packets are transmitted using the MPLS encapsulation, so they share fate with the LSP data path.

BFD is bootstrapped using an LSP ping. An MPLS echo request packet is transmitted along the LSP path, including a BFD discriminator TLV containing the head-end BFD discriminator value. The tail end responds with an echo reply packet, using the IP forwarding path, including the tail-end BFD discriminator value.

Afterward, BFD control packets establish a BFD session between the head end and tail end using the discriminator values from the bootstrap session. The egress LER will send a BFD control packet upon receipt.

Each session has its own pair of discriminators, so multiple discriminators are allocated by the system.

S-BFD for SR-TE LSPs

S-BFD is described in RFC 7880. Unlike classical BFD, S-BFD does not rely on the BFD bootstrapping process (handshake) or session state at the tail end of a session. Instead, when S-BFD is initialized, a pair of discriminators are selected by the system for specific purposes (reflector or initiator). S-BFD minimizes

the time required to establish BFD sessions, which contributes to its seamless operation. S-BFD relies on the fact that the discriminators are already known by the endpoints for each session, either through configuration or advertisement using unicast protocols.

There are two discriminators, one for each end of the BFD/S-BFD session. From the perspective of the S-BFD initiator (or BFD head end) there is a local 'my discriminator' and a remote 'your discriminator'. The 'your discriminator' matches the remote node's local discriminator, which for BFD is allocated to the session endpoint, and for S-BFD is the reflector discriminator.

Terminology

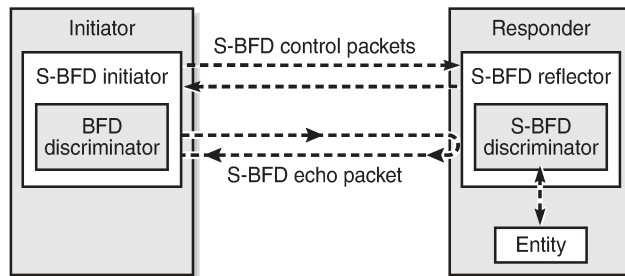
[Table 4: RFC 7880 S-BFD terms](#) describes the S-BFD terms, as defined by RFC 7880.

Table 4: RFC 7880 S-BFD terms

S-BFD term	Description
Entity	A function on a network node to which the S-BFD mechanism allows remote network nodes to perform continuity tests. An entity can be abstract (for example, reachability) or specific (for example, IP addresses, router IDs, functions).
S-BFD initiator	An S-BFD session on a network node that performs a continuity test to a remote entity by sending S-BFD packets.
BFD discriminator	An identifier for a BFD session at an endpoint of a BFD session.
Initiator	A network node hosting an S-BFD initiator.
S-BFD reflector	An S-BFD session on a network node that listens for incoming S-BFD control packets to local entities and generates response S-BFD control packets.
Responder	A network node hosting an S-BFD reflector.
S-BFD discriminator	A BFD discriminator allocated for an endpoint of an S-BFD session.

[Figure 22: Relationship between S-BFD terms](#) shows the relationship between the S-BFD terms described in [Table 4: RFC 7880 S-BFD terms](#).

Figure 22: Relationship between S-BFD terms



35628

S-BFD implementation in SR OS

Before an application can request the establishment of an S-BFD session, a mapping table of remote discriminators to peer far-end IP addresses must exist. These correspond to the discriminators of the reflector nodes. The mapping can be accomplished in two ways:

- automatically learned (using opaque OSPF or IS-IS routing extensions) or
- statically configured

A single S-BFD discriminator is allocated to a reflector in a router instance. The local reflector S-BFD discriminator is statically configured in the CLI and must be in the range from 524288 to 526335. The S-BFD discriminator must not be the same as any discriminator used for classical BFD.

As per RFC 5884, the destination IP address of explicitly label-switched S-BFD control packets must be chosen from the 127/8 range for IPv4 and the TTL of the IP header must be set to 1. The source IP address is a routable address of the sender.

The initiator node uses the following UDP ports for S-BFD control packets:

- UDP destination port 7784
- UDP source port, which can be any valid port except 7784, as follows:
 - the same UDP source port for all S-BFD control packets to the same reflector
 - different UDP source ports for S-BFD control packets to different reflectors
 - packets with UDP source port 7784 will be discarded by the reflector

The responder node swaps the UDP source and destination port when sending S-BFD control packets back to the initiator node:

- received UDP source port = transmitted UDP destination port
- received UDP destination port = transmitted UDP source port

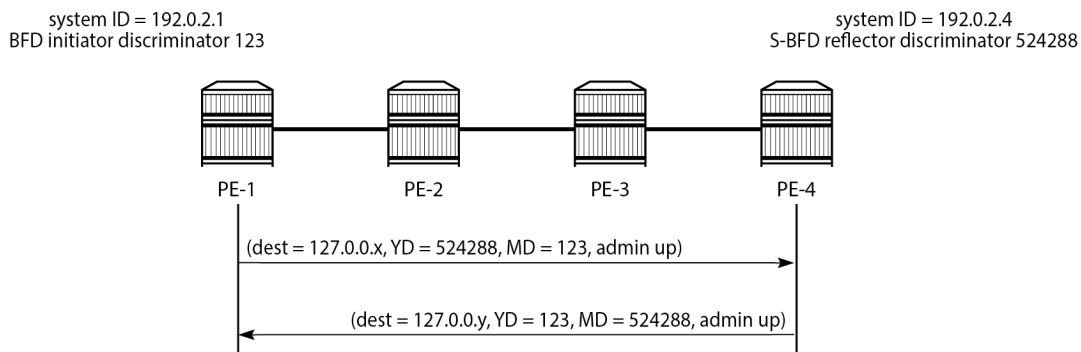
It also exchanges the 'my discriminator' and 'your discriminator' values in the reflected S-BFD packet.

S-BFD can be applied to SR-TE LSPs and the SR-TE LSP state can depend on the S-BFD session state.

S-BFD session establishment - continuity check

Figure 23: S-BFD session establishment - continuity check shows the continuity check S-BFD control packets between PE-1 and PE-4. On PE-1, the BFD (initiator) discriminator equals 123; on PE-4, the S-BFD (reflector) discriminator equals 524288. Head-end router PE-1 has a mapping table of remote discriminators to far-end IP addresses; for PE-4, the system ID is 192.0.2.4 and the S-BFD discriminator 524288. There is no INIT state in S-BFD. The mapping between the remote discriminators and the far-end IP addresses is required when the BFD return path is routed; when the BFD return path is controlled, no remote discriminators are used.

Figure 23: S-BFD session establishment - continuity check



35629

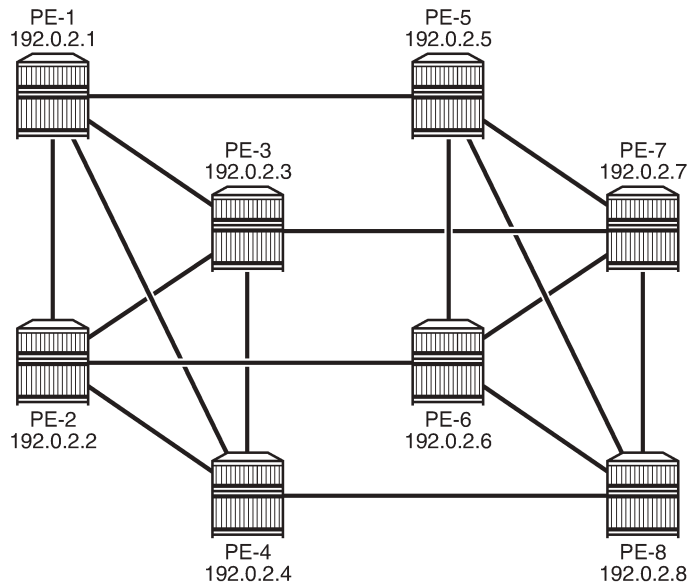
The session initiator node PE-1 generates an S-BFD control packet with destination PE-4 (but with an IP DA from the 127/8 range), YourDiscriminator 524288 (= S-BFD (reflector) discriminator value), MyDiscriminator 123 (= BFD (initiator) discriminator value), and admin state up.

The responder node PE-4 responds to PE-1 with an IP DA from the 127/8 range, YourDiscriminator 123, MyDiscriminator 524288, and admin state up. The admin state of the reflector reflects the configured S-BFD local state.

Configuration

Figure 24: Example topology shows the example topology with eight nodes.

Figure 24: Example topology



35630

The initial configuration includes:

- Cards, MDAs, ports
- Router interfaces
- IS-IS as IGP (alternatively, OSPF can be used) with traffic engineering (TE) enabled
- Segment routing enabled on all nodes
- MPLS and RSVP enabled on all router interfaces

The following will be configured:

- [S-BFD for SR-TE LSPs with routed return path](#) between PE-4 and PE-5
- [S-BFD for SR-TE LSPs with controlled return path](#) between PE-1 and PE-8



Note:

Even though BFD can use intervals smaller than 1000 ms, the used example setup has its limitations. The nodes in the used example setup are sims and the simulation for CPM-NP or central BFD sessions has the limitation that intervals that are configured with a value smaller than 1000 ms are always negotiated to intervals of 1000 ms. To avoid confusion when the configured intervals differ from the negotiated intervals on sims, a BFD template with intervals of 1000 ms is configured and used in this chapter.

S-BFD for SR-TE LSPs with routed return path

For S-BFD, the S-BFD (reflector) discriminator on the responder (tail-end) node must be known by both end nodes. The mapping between the remote discriminators and the far-end IP addresses can be configured statically or it can be learned dynamically from IGP. On each node, the reflector S-BFD discriminator must be in the range from 524288 to 526335 and the local state must be set to **up**.

Automated S-BFD distribution

In this example, one SR-TE LSP is established between head end PE-4 and tail end PE-5. On tail end PE-5, the global S-BFD configuration is as follows:

```
# on PE-5:
configure
  bfd
    seamless-bfd
      reflector "PE-5"
        discriminator 524292
        local-state up
        no shutdown
    exit
  exit
```

The S-BFD configuration on the other PEs is similar; in this example, it is sufficient to have the global S-BFD configuration on tail end PE-5 only. When the IGP is configured with **advertise-router-capability area** and **traffic-engineering** enabled, IGP routing protocol extensions provide the encodings to advertise the S-BFD discriminators as opaque information within the IGP link state information. This way, the remote IP addresses and the S-BFD discriminators are automatically mapped.

When PE-4 sets up an SR-TE LSP to PE-5, it will use a BFD discriminator—for example, 3—and S-BFD (reflector) discriminator 524292 for PE-5. For different LSPs toward PE-5, PE-4 will use different BFD discriminators combined with the same S-BFD (reflector) discriminator 524292.

Static S-BFD configuration

If **advertise-router-capability** or **traffic-engineering** are not configured, the S-BFD far-end IP address and its discriminator are statically mapped, as follows. When all SR-TE LSPs have far end PE-5, the mapping for PE-5 is sufficient.

```
# on PE-4:
configure
  router Base
    bfd
      seamless-bfd
        peer 192.0.2.1
          discriminator 524288
        exit
        peer 192.0.2.2
          discriminator 524289
        exit
        peer 192.0.2.3
          discriminator 524290
        exit
        peer 192.0.2.5
          discriminator 524292
        exit
        peer 192.0.2.6
          discriminator 524293
        exit
        peer 192.0.2.7
          discriminator 524294
        exit
        peer 192.0.2.8
          discriminator 524295
```

```
exit
exit
```

If the initiator receives a valid response from the reflector with an Up state, the initiator declares the S-BFD session as Up.



Note: Traffic engineering is not supported in VPRN or in OSPF3, so S-BFD discriminators cannot be automatically distributed in such cases.

Examples

S-BFD is only supported in CPM-NP on SR OS nodes, so the BFD type must be set to *cpm-np*. SR-TE LSPs can use CPM-NP BFD templates with a transmit and receive interval of minimum 10 ms. However, due to the simulation limitations on the sims in the example topology, the intervals are configured with a value of 1000 ms, as follows:

```
# on PE-4:
configure
  router Base
    bfd
      begin
        bfd-template "bfd-cpm-np-1s"
          type "cpm-np"
          transmit-interval 1000
          receive-interval 1000
      exit
  commit
```

On PE-4, the following paths and SR-TE LSPs are configured:

- "LSP-PE-4-PE-5_empty_localCSPF" with primary path "empty", which does not contain any explicit hops
- "LSP-PE-4-PE-5_viaPE-2_localCSPF" with primary path "via-PE-2", which contains 192.0.2.2 as a loose hop
- "LSP-PE-4-PE-5_viaPE-2_localCSPF_2nd" with primary path "via-PE-2" and secondary path "via-PE-3", which contains 192.0.2.3 as a loose hop

Any path computation method can be used. In the following example, the path computation method is local CSPF, as described in the [SR-TE LSP Path Computation Using Local CSPF](#) chapter. BFD can be configured per LSP or per path (primary or secondary) in the LSP.

```
# on PE-4:
configure
  router Base
    mpls
      path "empty"
        no shutdown
      exit
      path "via-PE-2"
        hop 10 192.0.2.2 loose
        no shutdown
      exit
      path "via-PE-3"
        hop 10 192.0.2.3 loose
        no shutdown
      exit
    lsp "LSP-PE-4-PE-5_empty_localCSPF" sr-te
```

```

to 192.0.2.5
path-computation-method local-cspf
max-sr-labels 6 additional-frr-labels 2
bfd
    bfd-template "bfd-cpm-np-1s"
    bfd-enable
exit
primary "empty"
exit
no shutdown
exit
lsp "LSP-PE-4-PE-5_viaPE-2_localCSPF" sr-te
to 192.0.2.5
path-computation-method local-cspf
max-sr-labels 6 additional-frr-labels 2
primary "via-PE-2"
bfd
    bfd-template "bfd-cpm-np-1s"
    bfd-enable
exit
no shutdown
exit
lsp "LSP-PE-4-PE-5_viaPE-2_localCSPF_2nd" sr-te
to 192.0.2.5
path-computation-method local-cspf
max-sr-labels 6 additional-frr-labels 2
bfd
    bfd-template "bfd-cpm-np-1s"
    bfd-enable
exit
primary "via-PE-2"
exit
secondary "via-PE-3"
standby
exit
no shutdown
exit

```

The head-end or initiator node PE-4 learned the S-BFD reflector discriminator for PE-5 (524292), so the BFD control packets can be sent with both a BFD and S-BFD discriminator value. The BFD control packets follow the data path from head end to tail end. The return path is native IP.

The first S-BFD session on initiator node PE-4 gets BFD discriminator 1, the second BFD discriminator 2, and so on. The S-BFD discriminator for PE-5 remains the same: 524292. For "LSP-PE-4-PE-5_viaPE-2_localCSPF_2nd", with primary and secondary path, two S-BFD sessions are established: one with BFD discriminator 3 and another with BFD discriminator 4, as follows:

```

*A:PE-4# show router bfd seamless-bfd session
                    lsp-name "LSP-PE-4-PE-5_viaPE-2_localCSPF_2nd" detail
=====
BFD Session
=====
Prefix           : 192.0.2.5/32
Local Address    : 192.0.2.4
LSP Name         : LSP-PE-4-PE-5_viaPE-2_localCSPF_2nd
LSP Index        : 65538                Path LSP ID      : 18432
Fec Type         : srTe
Oper State       : Up                    Protocols        : mplsLsp
Up Time          : 0d 00:01:29           Up Transitions   : 1
Last Down Time  : 0d 00:00:01           Down Transitions : 0

```

```

Version Mismatch : 0

Forwarding Information

Local Discr      : 3
Local Diag       : 0 (None)
Local Mode       : Demand
Local Min Tx     : 1000
Last Sent (ms)  : 0
Type            : cpm-np
Remote Discr     : 524292
Remote Diag      : 0 (None)
Remote Min Tx    : 1000
Remote C-flag    : 1
Last Recv (ms)  : 0

Local State      : Up
Local Mult       : 3
Local Min Rx     : 0
Remote State     : Up
Remote Mode      : Async
Remote Mult      : 3
Remote Min Rx    : 3

=====
Prefix          : 192.0.2.5/32
Local Address   : 192.0.2.4
LSP Name       : LSP-PE-4-PE-5_viaPE-2_localCSPF_2nd
LSP Index      : 65538
Fec Type       : srTe
Oper State     : Up
Up Time        : 0d 00:01:29
Last Down Time : 0d 00:00:01

Path LSP ID     : 18434
Protocols       : mplsLsp
Up Transitions  : 1
Down Transitions : 0
Version Mismatch : 0

Forwarding Information

Local Discr      : 4
Local Diag       : 0 (None)
Local Mode       : Demand
Local Min Tx     : 1000
Last Sent (ms)  : 0
Type            : cpm-np
Remote Discr     : 524292
Remote Diag      : 0 (None)
Remote Min Tx    : 1000
Remote C-flag    : 1
Last Recv (ms)  : 0

Local State      : Up
Local Mult       : 3
Local Min Rx     : 0
Remote State     : Up
Remote Mode      : Async
Remote Mult      : 3
Remote Min Rx    : 3

=====
=====

```

In the preceding **show** command, "Local Discr: 3" and "Local Discr: 4" refer to the BFD discriminator values on the initiator node PE-4, while "Remote Discr: 524292" refers to the S-BFD reflector discriminator value on the responder node PE-5.

The following command shows that the primary path "via-PE-2" goes from PE-4 via PE-2 and PE-1 to PE-5; the secondary path "via-PE-3" goes from PE-4 via PE-3 and PE-7 to PE-5:

```

*A:PE-4# show router mpls sr-te-lsp "LSP-PE-4-PE-5_viaPE-2_localCSPF_2nd" path detail

=====
MPLS SR-TE LSP LSP-PE-4-PE-5_viaPE-2_localCSPF_2nd
Path (Detail)
=====
Legend :
  S      - Strict
  A-SID  - Adjacency SID
  +      - Inherited
  L      - Loose
  N-SID  - Node SID
=====
-----
LSP SR-TE LSP-PE-4-PE-5_viaPE-2_localCSPF_2nd
Path via-PE-2

```

```

-----
LSP Name      : LSP-PE-4-PE-5_viaPE-2_localCSPF_2nd
Path LSP ID   : 18432
From          : 192.0.2.4
To            : 192.0.2.5
Admin State   : Up                               Oper State    : Up
Path Name     : via-PE-2
Path Type     : Primary
Path Admin    : Up                               Path Oper     : Up
---snip---

Explicit Hops :
              : 192.0.2.2(L)
Actual Hops   :
  192.168.24.1(192.0.2.2) (A-SID)      Record Label   : 524285
-> 192.168.12.1(192.0.2.1) (A-SID)      Record Label   : 524287
-> 192.168.15.2(192.0.2.5) (A-SID)      Record Label   : 524284

BFD Configuration and State
Template      : None                               Ping Interval  : N/A
Enable       : False                             State          : up
ReturnPathLabel : None
WaitForUpTimer : 4 sec                          OperWaitForUpTimer: 4 sec
WaitForUpTmLeft : 0
StartFail Rsn : N/A

-----
LSP SR-TE LSP-PE-4-PE-5_viaPE-2_localCSPF_2nd
Path via-PE-3
-----
LSP Name      : LSP-PE-4-PE-5_viaPE-2_localCSPF_2nd
Path LSP ID   : 18434
From          : 192.0.2.4
To            : 192.0.2.5
Admin State   : Up                               Oper State    : Up
Path Name     : via-PE-3
Path Type     : Standby
Path Admin    : Up                               Path Oper     : Up
---snip---

Explicit Hops :
              : 192.0.2.3(L)
Actual Hops   :
  192.168.34.1(192.0.2.3) (A-SID)      Record Label   : 524287
-> 192.168.37.2(192.0.2.7) (A-SID)      Record Label   : 524284
-> 192.168.57.1(192.0.2.5) (A-SID)      Record Label   : 524287
Srlg         : Disabled                          Srlg Disjoint  : False

BFD Configuration and State
Template      : None                               Ping Interval  : N/A
Enable       : False                             State          : up
ReturnPathLabel : None
WaitForUpTimer : 4 sec                          OperWaitForUpTimer: 4 sec
WaitForUpTmLeft : 0
StartFail Rsn : N/A

=====

```

The following OAM LSP trace from PE-4 shows that the path goes via PE-2 and PE-1 to PE-5:

```

*A:PE-4# oam lsp-trace sr-te "LSP-PE-4-PE-5_viaPE-2_localCSPF_2nd"
lsp-trace to LSP-PE-4-PE-5_viaPE-2_localCSPF_2nd: 0 hops min, 0 hops max, 176 byte packets
1 192.0.2.2 rtt=2.15ms rc=3(EgressRtr) rsc=3

```



```

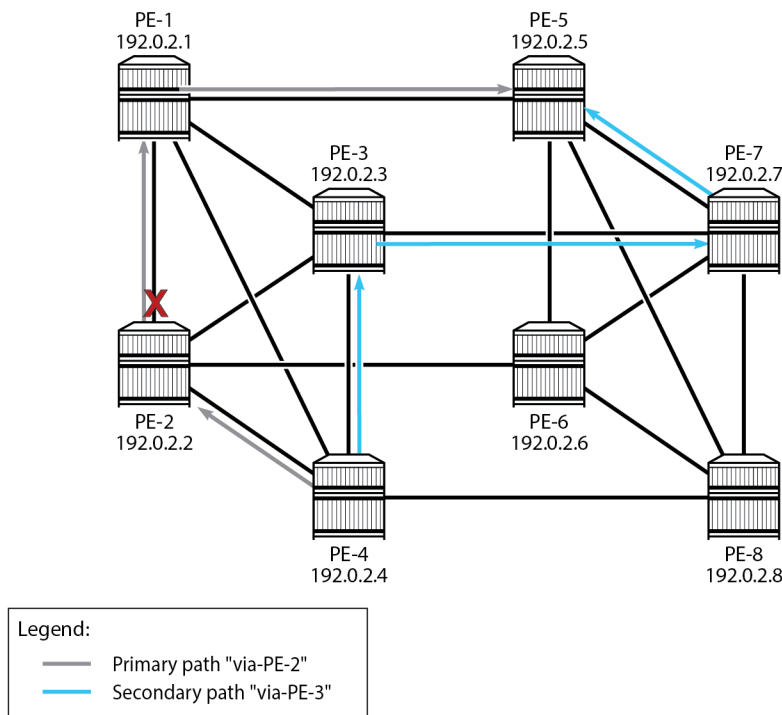
1 192.0.2.2 rtt=2.76ms rc=8(DSRtrMatchLabel) rsc=2
2 192.0.2.1 rtt=2.95ms rc=3(EgressRtr) rsc=2
3 192.0.2.1 rtt=3.68ms rc=8(DSRtrMatchLabel) rsc=1
3 192.0.2.5 rtt=3.42ms rc=3(EgressRtr) rsc=1

```

S-BFD session down without failure action

Figure 25: Failure on remote link in primary path shows the two paths of "LSP-PE-4-PE-5_viaPE-2_localCSPF_2nd" with a failure on the link between PE-2 and PE-1, which is part of the primary path "via-PE-2". The broken link is remote to the head-end node PE-4. The failure is emulated on PE-2 by disabling the port toward PE-1.

Figure 25: Failure on remote link in primary path



35631

As a result, the BFD session associated with the primary path "via-PE-2" goes down, as follows:

```

*A:PE-4# show router bfd seamless-bfd session
      lsp-name "LSP-PE-4-PE-5_viaPE-2_localCSPF_2nd"

=====
Legend:
  Session Id = Interface Name | LSP Name | Prefix | RSVP Sess Name | Service Id
  wp = Working path  pp = Protecting path
=====
BFD Session
=====
Session Id           State      Tx Pkts  Rx Pkts
Rem Addr/Info/SdpId:VcId  Multipl   Tx Intvl  Rx Intvl
Protocols            Type      LAG Port  LAG ID

```

Loc Addr			LAG name
192.0.2.5/32	Down	N/A	N/A
192.0.2.5	3	1000	0
mplsLsp	cpm-np	N/A	N/A
192.0.2.4			
192.0.2.5/32	Up	N/A	N/A
192.0.2.5	3	1000	1000
mplsLsp	cpm-np	N/A	N/A
192.0.2.4			

No. of BFD sessions: 2

By default, there is no failure action on the BFD session, so the primary path remains up even when the BFD session on that path is down, as follows:

```
*A:PE-4# show router mpls sr-te-lsp "LSP-PE-4-PE-5_viaPE-2_localCSPF_2nd" path detail

=====
MPLS SR-TE LSP LSP-PE-4-PE-5_viaPE-2_localCSPF_2nd
Path (Detail)
=====
Legend :
  S      - Strict          L      - Loose
  A-SID  - Adjacency SID   N-SID  - Node SID
  +      - Inherited
=====

LSP SR-TE LSP-PE-4-PE-5_viaPE-2_localCSPF_2nd
Path via-PE-2
-----
LSP Name      : LSP-PE-4-PE-5_viaPE-2_localCSPF_2nd
Path LSP ID   : 18432
From          : 192.0.2.4
To            : 192.0.2.5
Admin State   : Up                Oper State      : Up
Path Name     : via-PE-2
Path Type     : Primary
Path Admin    : Up                Path Oper       : Up
---snip---

Explicit Hops :
              : 192.0.2.2(L)
Actual Hops   :
  192.168.24.1(192.0.2.2) (A-SID) Record Label   : 524285
-> 192.168.12.1(192.0.2.1) (A-SID) Record Label   : 524287
-> 192.168.15.2(192.0.2.5) (A-SID) Record Label   : 524284

BFD Configuration and State
Template      : None                Ping Interval   : N/A
Enable        : False              State           : down
ReturnPathLabel : None
WaitForUpTimer : 4 sec            OperWaitForUpTimer: 4 sec
WaitForUpTmLeft : 0
StartFail Rsn : N/A
---snip---
```

The LSP and its paths remain up and the corresponding SR-TE tunnel in the tunnel table remains unchanged, so the traffic using the LSP will be blackholed. The following tunnel table lists three SR-TE tunnels, corresponding to:

- "LSP-PE-4-PE-5_empty_localCSPF", with next-hop 192.168.48.2 (PE-8)
- "LSP-PE-4-PE-5_viaPE-2_localCSPF", using path "via-PE-2", with next-hop 192.168.24.1
- "LSP-PE-4-PE-5_viaPE-2_localCSPF_2nd", using path "via-PE-2" (the primary path is used, not the secondary), with next-hop 192.168.24.1.

```
*A:PE-4# show router tunnel-table protocol sr-te

=====
IPv4 Tunnel Table (Router: Base)
=====
Destination          Owner      Encap TunnelId  Pref  Nexthop      Metric
  Color
-----
192.0.2.5/32         sr-te     MPLS  655362    8    192.168.48.2  20
192.0.2.5/32         sr-te     MPLS  655363    8    192.168.24.1  30
192.0.2.5/32         sr-te     MPLS  655364    8    192.168.24.1  30
-----
Flags: B = BGP or MPLS backup hop available
      L = Loop-Free Alternate (LFA) hop available
      E = Inactive best-external BGP route
      k = RIB-API or Forwarding Policy backup hop
=====
```

The OAM LSP ping command using the SR-TE LSP "LSP-PE-4-PE-5_viaPE-2_localCSPF_2nd" fails, as follows:

```
*A:PE-4# oam lsp-ping sr-te "LSP-PE-4-PE-5_viaPE-2_localCSPF_2nd"
LSP-PING LSP-PE-4-PE-5_viaPE-2_localCSPF_2nd: 96 bytes MPLS payload
Request timed out.

---- LSP LSP-PE-4-PE-5_viaPE-2_localCSPF_2nd PING Statistics ----
1 packets sent, 0 packets received, 100.00% packet loss
```

The OAM LSP trace command shows that the LSP trace stops at PE-2 (192.0.2.2):

```
*A:PE-4# oam lsp-trace sr-te "LSP-PE-4-PE-5_viaPE-2_localCSPF_2nd"
lsp-trace to LSP-PE-4-PE-5_viaPE-2_localCSPF_2nd: 0 hops min, 0 hops max, 176 byte packets
1 192.0.2.2 rtt=2.41ms rc=3(EgressRtr) rsc=3
1 192.0.2.2 rtt=2.56ms rc=8(DSRtrMatchLabel) rsc=2
2 192.168.12.1 *
3 192.168.12.1 *
4 192.168.12.1 *
5 192.168.12.1 *
6 192.168.12.1 *
```

S-BFD session down with failure action

To force a failover to the secondary path or to bring the LSP down when the BFD session goes down, a failure action needs to be configured in the BFD context of the LSP, as follows:

```
# on PE-4:
configure
  router Base
    mpls
      lsp "LSP-PE-4-PE-5_viaPE-2_localCSPF_2nd"
        bfd
          bfd-template "bfd-cpm-np-1s"
```

```

bfd-enable
failure-action failover-or-down
wait-for-up-timer 4 # default; applicable for failure action
exit
    
```

The failure action **failover-or-down** is the only failure action that is allowed for SR-TE LSPs. An error is raised when attempting to configure failure action **down** or failure action **failover**, as follows:

```

*A:PE-4>config>router>mpls>lsp>bfd# failure-action down
MINOR: MPLS #1013 LSP parameter conflict - Cannot configure 'failure-action down' for
SR-TE LSPs

*A:PE-4>config>router>mpls>lsp>bfd# failure-action failover
MINOR: MPLS #1013 LSP parameter conflict - Cannot configure 'failure-action failover'
for SR-TE LSPs
    
```

When the failure action is configured, the primary path "via-PE-2" goes down and a failover takes place to the secondary path "via-PE-3" (if available). When no secondary paths are available, the LSP is operational down.

When a link or node fails on the primary path, the BFD state goes down for the primary path. The head-end node switches to the best preference standby that is up. When the LSP retry timer expires, the MPLS module initiates a local CSPF request to calculate a new SR-TE path. When it is possible to calculate a new path meeting the path constraints for the primary path, the new path is added to the SR-TE tunnel, and S-BFD for the primary path is started. S-BFD comes up and the LSP metric is set.

By default, the revert timer is zero, so no reversion to the primary path takes place. However, if the revert timer is configured to a non-zero value, the revert timer starts when the S-BFD session comes up. When the revert timer expires, the active path is reprogrammed from secondary to primary. If **pce-report-enable** is configured, a PCEP status report is sent for each path, so two reports are sent.

The following command shows that the primary path "via-PE-2" is down and the list of actual hops is empty. Therefore, the S-BFD session state is not applicable. The secondary path remains up and the LSP is up.

```

*A:PE-4# show router mpls sr-te-lsp "LSP-PE-4-PE-5_viaPE-2_localCSPF_2nd" path detail

=====
MPLS SR-TE LSP LSP-PE-4-PE-5_viaPE-2_localCSPF_2nd
Path (Detail)
=====
Legend :
  S      - Strict                L      - Loose
  A-SID  - Adjacency SID        N-SID  - Node SID
  +      - Inherited

-----
LSP SR-TE LSP-PE-4-PE-5_viaPE-2_localCSPF_2nd
Path via-PE-2
-----
LSP Name      : LSP-PE-4-PE-5_viaPE-2_localCSPF_2nd
Path LSP ID   : 12800
From          : 192.0.2.4
To            : 192.0.2.5
Admin State   : Up                Oper State    : Up
Path Name     : via-PE-2
Path Type     : Primary
Path Admin    : Up                Path Oper     : Down
---snip---
    
```

```

Failure Code      : bfdDown
Failure Node       : 192.0.2.4
Explicit Hops      :
                   192.0.2.2(L)
Actual Hops      :
No Hops Specified

BFD Configuration and State
Template           : None
Enable             : False
ReturnPathLabel   : None
WaitForUpTimer    : 4 sec
WaitForUpTmLeft   : 0
StartFail Rsn     : N/A
Ping Interval     : N/A
State            : notApplicable
OperWaitForUpTimer: 4 sec

-----
LSP SR-TE LSP-PE-4-PE-5_viaPE-2_localCSPF_2nd
Path via-PE-3
-----
LSP Name      : LSP-PE-4-PE-5_viaPE-2_localCSPF_2nd
Path LSP ID   : 12802
From          : 192.0.2.4
To            : 192.0.2.5
Admin State   : Up
Path Name     : via-PE-3
Path Type     : Standby
Path Admin    : Up
Oper State    : Up
Path Oper     : Up
---snip---

Explicit Hops  :
               192.0.2.3(L)
Actual Hops    :
  192.168.34.1(192.0.2.3)(A-SID)      Record Label : 524287
-> 192.168.37.2(192.0.2.7)(A-SID)      Record Label : 524284
-> 192.168.57.1(192.0.2.5)(A-SID)      Record Label : 524285
Srlg          : Disabled
Srlg Disjoint : False

BFD Configuration and State
Template           : None
Enable             : False
ReturnPathLabel   : None
WaitForUpTimer    : 4 sec
WaitForUpTmLeft   : 0
StartFail Rsn     : N/A
Ping Interval     : N/A
State            : up
OperWaitForUpTimer: 4 sec

=====

```

The tunnel table shows an entry with tunnel ID 655364, which corresponds to "LSP-PE-4-PE-5_viaPE-2_localCSPF_2nd", with next-hop 192.168.34.1 (PE-3):

```

*A:PE-4# show router tunnel-table protocol sr-te

=====
IPv4 Tunnel Table (Router: Base)
=====
Destination      Owner      Encap TunnelId Pref  Nexthop      Metric
  Color
-----
192.0.2.5/32     sr-te     MPLS  655362   8    192.168.14.1  20
192.0.2.5/32     sr-te     MPLS  655363   8    192.168.24.1  30
192.0.2.5/32     sr-te     MPLS  655364   8    192.168.34.1  30
-----
Flags: B = BGP or MPLS backup hop available

```

```
L = Loop-Free Alternate (LFA) hop available
E = Inactive best-external BGP route
k = RIB-API or Forwarding Policy backup hop
=====
```

The OAM LSP trace using "LSP-PE-4-PE-5_viaPE-2_localCSPF_2nd" shows that the active path goes via PE-3 and PE-7 to PE-5, as follows:

```
*A:PE-4# oam lsp-trace sr-te "LSP-PE-4-PE-5_viaPE-2_localCSPF_2nd"
lsp-trace to LSP-PE-4-PE-5_viaPE-2_localCSPF_2nd: 0 hops min, 0 hops max,
176 byte packets
1 192.0.2.3 rtt=1.90ms rc=3(EgressRtr) rsc=3
1 192.0.2.3 rtt=2.48ms rc=8(DSRtrMatchLabel) rsc=2
2 192.0.2.7 rtt=3.00ms rc=3(EgressRtr) rsc=2
2 192.0.2.7 rtt=2.88ms rc=8(DSRtrMatchLabel) rsc=1
3 192.0.2.5 rtt=3.41ms rc=3(EgressRtr) rsc=1
```

S-BFD for SR-TE LSPs with controlled return path

In this mode, a controlled return path for BFD reply packets is configured at the initiating node. The reflector function at the far end of the SR-TE LSP is bypassed, so there is no need to configure reflector discriminators for these sessions.

The initiating node pushes an additional MPLS label on S-BFD packets at the bottom of the stack and the BFD session operates in echo mode. The return path label refers to an MPLS binding SID of an SR policy programmed at the far end of the SR-TE LSP. The SR policy can be used to forward BFD reply packets along an explicit TE path back to the initiator, avoiding the IGP shortest path.

It is possible to configure a specific TE return path for each S-BFD session on an SR-TE LSP at the initiating node. The SR policies can have segments lists with different paths, ensuring the BFD reply packets from different LSP paths do not share the same outcome.

In the following example, initiating node PE-1 has three SR-TE LSPs to far end PE-8:

- SR-TE LSP "LSP-PE-1-PE-8_empty_localCSPF" with an empty primary path and return path label 20041
- SR-TE LSP "LSP-PE-1-PE-8_viaPE-2_localCSPF" with primary path "via-PE-2" and return path label 20621
- SR-TE LSP "LSP-PE-1-PE-8_viaPE-2_localCSPF_2nd" with primary path "via-PE-2" and return path label 20621 and secondary path "via-PE-3" and return path label 20051

The configuration of the paths and the SR-TE LSPs on PE-1 is as follows:

```
# on PE-1:
configure
  router Base
    bfd
      begin
      bfd-template "bfd-cpm-np-1s"
        type "cpm-np"
        transmit-interval 1000
        receive-interval 1000
      exit
      commit
    exit
  mpls
    path "empty"
```

```

        no shutdown
    exit
    path "via-PE-2"
        hop 10 192.0.2.2 loose
        no shutdown
    exit
    path "via-PE-3"
        hop 10 192.0.2.3 loose
        no shutdown
    exit
    lsp "LSP-PE-1-PE-8_empty_localCSPF" sr-te
        to 192.0.2.8
        path-computation-method local-cspf
        max-sr-labels 6 additional-frr-labels 2
        pce-report enable
        bfd
            bfd-template "bfd-cpm-np-1s"
            return-path-label 20041
            bfd-enable
            failure-action failover-or-down
        exit
        primary "empty"
    exit
    no shutdown
    exit
    lsp "LSP-PE-1-PE-8_viaPE-2_localCSPF" sr-te
        to 192.0.2.8
        path-computation-method local-cspf
        max-sr-labels 6 additional-frr-labels 2
        pce-report enable
        bfd
            failure-action failover-or-down
        exit
        primary "via-PE-2"
        bfd
            bfd-template "bfd-cpm-np-1s"
            return-path-label 20621
            bfd-enable
        exit
    exit
    no shutdown
    exit
    lsp "LSP-PE-1-PE-8_viaPE-2_localCSPF_2nd" sr-te
        to 192.0.2.8
        path-computation-method local-cspf
        max-sr-labels 6 additional-frr-labels 2
        pce-report enable
        bfd
            failure-action failover-or-down
        exit
        primary "via-PE-2"
        bfd
            bfd-template "bfd-cpm-np-1s"
            return-path-label 20621
            bfd-enable
        exit
    exit
    secondary "via-PE-3"
        standby
        bfd
            bfd-template "bfd-cpm-np-1s"
            return-path-label 20051
            bfd-enable
        exit

```

```

        exit
        no shutdown
    exit
    no shutdown

```

The return path labels correspond to binding SIDs in SR policies on PE-8, as follows:

```

# on PE-8:
configure
  router Base
    mpls-labels
      sr-labels start 32000 end 32999
      reserved-label-block "SRLB1"
        start-label 20000 end-label 21999
    exit
  exit
  segment-routing
    sr-policies
      reserved-label-block "SRLB1"
      static-policy "SR-static-policy-PE-4-PE-1" create
        binding-sid 20041
        color 810
        distinguisher 10020041
        endpoint 192.0.2.1
        head-end local
        segment-list 1 create
          segment 1 create
            mpls-label 32004 # node SID of PE-4
          exit
          segment 2 create
            mpls-label 32001 # node SID of PE-1
          exit
        no shutdown
      exit
      static-policy "SR-static-policy-PE-5-PE-1" create
        binding-sid 20051
        color 820
        distinguisher 10020051
        endpoint 192.0.2.1
        head-end local
        segment-list 1 create
          segment 1 create
            mpls-label 32005 # node SID of PE-5
          exit
          segment 2 create
            mpls-label 32001 # node SID of PE-1
          exit
        no shutdown
      exit
      no shutdown
    exit
  static-policy "SR-static-policy-PE-6-PE-2-PE-1" create
    binding-sid 20621
    color 830
    distinguisher 10020621
    endpoint 192.0.2.1
    head-end local
    segment-list 1 create
      segment 1 create
        mpls-label 32006 # node SID of PE-6
      exit

```



```

segment 2 create
  mpls-label 32002 # node SID of PE-2
exit
segment 3 create
  mpls-label 32001 # node SID of PE-1
exit
no shutdown
exit
no shutdown
exit
no shutdown
exit

```

The tunnel table on PE-8 contains three SR-policy tunnels to PE-1:

```
*A:PE-8# show router tunnel-table protocol sr-policy
```

```
=====  
IPv4 Tunnel Table (Router: Base)  
=====
```

Destination Color	Owner	Encap	TunnelId	Pref	Nexthop	Metric
192.0.2.1/32 810	sr-policy	MPLS	917506	14	192.0.2.4	0
192.0.2.1/32 820	sr-policy	MPLS	917507	14	192.0.2.5	0
192.0.2.1/32 830	sr-policy	MPLS	917508	14	192.0.2.6	0

```
-----  
Flags: B = BGP or MPLS backup hop available  
       L = Loop-Free Alternate (LFA) hop available  
       E = Inactive best-external BGP route  
       k = RIB-API or Forwarding Policy backup hop  
=====
```

Four S-BFD sessions are up between PE-1 and PE-8:

```
*A:PE-1# show router bfd session
```

```
=====  
Legend:
```

```
Session Id = Interface Name | LSP Name | Prefix | RSVP Sess Name | Service Id  
wp = Working path   pp = Protecting path  
=====
```

```
BFD Session
```

Session Id Rem Addr/Info/SdpId:VcId Protocols Loc Addr	State Multipl Type	Tx Pkts Tx Intvl LAG Port	Rx Pkts Rx Intvl LAG ID LAG name
192.0.2.8/32 192.0.2.8 mplsLsp 192.0.2.1	Up 3 cpm-np	N/A 1000 N/A	N/A 1000 N/A
192.0.2.8/32 192.0.2.8 mplsLsp 192.0.2.1	Up 3 cpm-np	N/A 1000 N/A	N/A 1000 N/A
192.0.2.8/32 192.0.2.8 mplsLsp	Up 3 cpm-np	N/A 1000 N/A	N/A 1000 N/A

```

192.0.2.1
192.0.2.8/32                               Up           N/A          N/A
192.0.2.8                                  3           1000         1000
mplsLsp                                     cpm-np      N/A          N/A
192.0.2.1
-----
No. of BFD sessions: 4
=====

```

When the SR policies on PE-8 are down, the corresponding BFD sessions on PE-1 go down.

On PE-1, SR-TE LSP "LSP-PE-1-PE-8_viaPE-2_localCSPF_2nd" has a primary path and a standby secondary path. The local discriminator for the primary path is 3; for the secondary path 4. No remote discriminators are used when the return path corresponds to an SR policy, so the remote discriminators equal zero. The return path label is the binding SID of the SR policy in the far end node.

```

*A:PE-1# show router bfd seamless-bfd session
          lsp-name "LSP-PE-1-PE-8_viaPE-2_localCSPF_2nd" detail
=====
BFD Session
=====
Prefix      : 192.0.2.8/32
Local Address : 192.0.2.1
LSP Name     : LSP-PE-1-PE-8_viaPE-2_localCSPF_2nd
LSP Index    : 65538                Path LSP ID    : 2
Fec Type     : srTe
Return Path : 20621
Oper State   : Up                   Protocols      : mplsLsp
Up Time      : 0d 00:04:23          Up Transitions : 1
Last Down Time : 0d 00:00:12        Down Transitions : 0
                                          Version Mismatch : 0

Forwarding Information

Local Discr   : 3                Local State    : Up
Local Diag     : 0 (None)
Local Mode     : Demand
Local Min Tx   : 1000
Last Sent (ms) : 0
Type          : cpm-np
Remote Discr   : 0                Remote State   : Up
Remote Diag    : 0 (None)
Remote Min Tx  : 1000
Remote C-flag  : 1
Last Recv (ms) : 0
                                          Remote Min Rx  : 1000

=====
Prefix      : 192.0.2.8/32
Local Address : 192.0.2.1
LSP Name     : LSP-PE-1-PE-8_viaPE-2_localCSPF_2nd
LSP Index    : 65538                Path LSP ID    : 4
Fec Type     : srTe
Return Path : 20051
Oper State   : Up                   Protocols      : mplsLsp
Up Time      : 0d 00:04:24          Up Transitions : 1
Last Down Time : 0d 00:00:11        Down Transitions : 0
                                          Version Mismatch : 0

Forwarding Information

Local Discr   : 4                Local State    : Up
Local Diag     : 0 (None)
Local Mode     : Demand

```

```
Local Min Tx      : 1000          Local Mult       : 3
Last Sent (ms)   : 0             Local Min Rx     : 1000
Type             : cpm-np
Remote Discr     : 0             Remote State     : Up
Remote Diag      : 0 (None)      Remote Mode      : Demand
Remote Min Tx    : 1000          Remote Mult      : 3
Remote C-flag    : 1
Last Recv (ms)  : 0             Remote Min Rx   : 1000
=====
=====
```

Conclusion

Seamless BFD for SR-TE LSPs allows fast connectivity checking of the data plane of the LSP. This can be used to trigger fast failover from the currently active to a standby path.

Segment Routing – Traffic Engineered Tunnels

This chapter provides information about Segment Routing – Traffic Engineered Tunnels.

Topics in this chapter include:

- [Applicability](#)
- [Overview](#)
- [Configuration](#)
- [Conclusion](#)

Applicability

This chapter was initially written for SR OS Release 14.0.R7, but the CLI in the current edition corresponds to SR OS Release 21.2.R1.

Overview

Segment Routing (SR) is described in the chapter [Segment Routing with IS-IS Control Plane](#), where the advertisement of node prefix segment identifiers (SIDs) cause the automatic creation of ECMP-aware shortest path MPLS tunnels on each SR-aware router. Each node prefix SID is a globally unique value and becomes an MPLS label in the MPLS data plane. The label is advertised and learned by each SR-capable router using control plane extensions to the IS-IS and OSPF protocols.

It is also possible to create source-routed traffic-engineered end-to-end segment routing paths, where routing constraints such as strict or loose hops can be used to determine a data path to be taken through a network.

These are known as Segment Routing Traffic Engineered (SR-TE) Label Switched Paths (LSPs) and use the same command line construct as that used in configuring RSVP-TE LSPs. However, SR-TE LSPs differ in that there is no mid-point state; each intermediate and tail-end router is unaware of the presence of the LSP because there is no signaling protocol used to create the path. The path can be computed locally by the ingress PE or by offloading the path computation to an external controller.

If a packet is forwarded through the SR tunnel, each router along the path will read the top label and forward the packet according to the SR tunnel table entry for that label.

This chapter describes the configuration of SR-TE LSPs with locally-computed source-routed paths and how they can be used in the data plane of Layer 2 and Layer 3 services. In the cases described, an SR-TE LSP containing a number of strict or loose hops is created at the head-end router and used to construct an LSP by translating the IP addresses configured in the MPLS path to an SID. This results in an MPLS path with state at the head end only, comprising a stack of SIDs, where each SID is an MPLS label.

In this chapter, OSPF is used to advertise the SIDs and a set of extensions to OSPF have been defined, which require additional configuration on each network router.

The LSP is instantiated—the state is operationally "up"—and a tunnel table entry is created that is owned by the SR-TE protocol. Any data packet that is resolved to use the resulting tunnel has the label stack imposed at the head-end router and is forwarded out of the appropriate next-hop interface. This interface is determined by the topmost label in the stack.

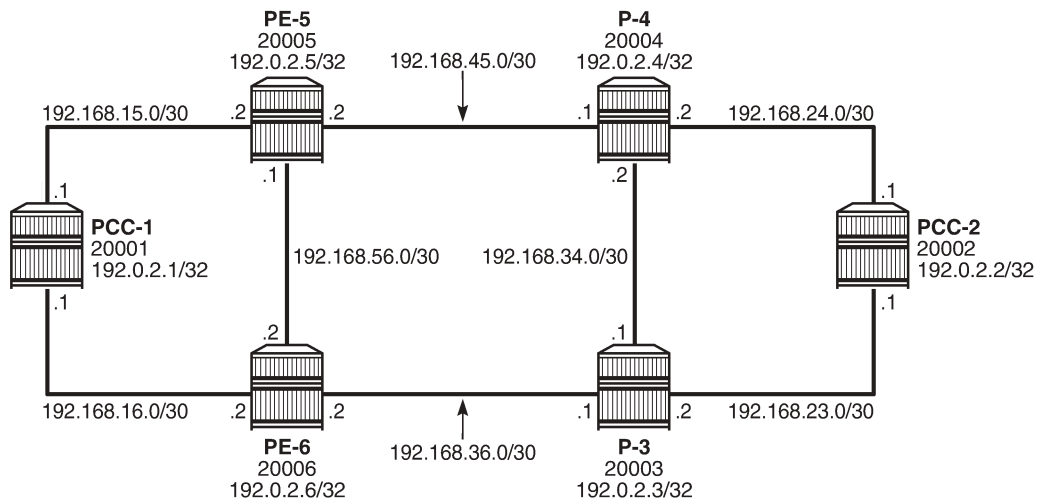
If the label is a node SID, the outgoing interface is determined by the IGP—the shortest path to the router that the node SID represents.

If the label is a local adjacency SID, the outgoing interface is the local interface for which this SID is generated by the IGP.

The segments referenced can be a prefix segment, such as a node segment or an adjacency segment, which represents a specific adjacency between two nodes. The SIDs are used as MPLS labels.

In the following configuration examples, the LSP path is created at the head-end router, and computed by translating a list of hops containing IP addresses into a list of SIDs, by examining the OSPF TE database. The head-end router is referred to as a Path Computation Client (PCC). [Figure 26: Segment routing network schematic](#) shows the example topology used, and a pair of bidirectional connected SR-TE LSPs between PCC-1 and PCC-2 will be configured to illustrate SR-TE LSPs. All interfaces between PCC-1 and its neighbors have the OSPF metric set to 1000. Similarly, for PCC-2, the OSPF metric is also set to 1000 between itself and its neighbors. The OSPF metric on router interfaces between the core routers P-3, P-4, PE-5, and PE-6 are set to 100.

Figure 26: Segment routing network schematic



26381

Configuration

MPLS label range

The MPLS label range must be configured. This represents the Segment Routing Global Block (SRGB) from which node SIDs are allocated. The choice of SRGB in this example is the same as that chosen in the

chapter [Segment Routing with IS-IS Control Plane](#), where the label block is the same for each router. The SRGB is a contiguous range within the dynamic range 18432 to 524287, as shown in the following output:

```
*A:PCC-1# show router mpls-labels label-range

=====
Label Ranges
=====
Label Type      Start Label End Label   Aging      Available  Total
-----
Static          32          18431    -          18400     18400
Dynamic        18432       524287    0          505856    505856
Seg-Route    0          0        -          0        0
=====
```

In this example, a range of 1000 labels is chosen. For operational simplicity, Nokia recommends that the same label range is chosen for each router. However, this is not an explicit requirement.

A label range of 20000 to 20999 for SR is configured with the following command:

```
# on all nodes:
configure
  router Base
    mpls-labels
      sr-labels start 20000 end 20999
```

When the SRGB label range has been configured, the MPLS label range looks as follows:

```
*A:PCC-1# show router mpls-labels label-range

=====
Label Ranges
=====
Label Type      Start Label End Label   Aging      Available  Total
-----
Static          32          18431    -          18400     18400
Dynamic        18432       524287    0          504856    505856
Seg-Route    20000     20999   -          0        1000
=====
```

Global OSPF configuration

The first step is to configure OSPF on each router, as shown in [Figure 26: Segment routing network schematic](#). All router interfaces are members of a single backbone area: area 0.0.0.0.

The configuration for PCC-1 to enable OSPF is:

```
# on PCC-1:
configure
  router Base
    ospf 0
      area 0.0.0.0
        interface "system"
          no shutdown
        exit
        interface "int-PCC-1-PE-5"
          interface-type point-to-point
          metric 1000
          no shutdown
```

```

        exit
        interface "int-PCC-1-PE-6"
            interface-type point-to-point
            metric 1000
            no shutdown
        exit
    exit
no shutdown

```

The configuration for all other nodes is the same, apart from the IP addresses. The IP addresses can be derived from [Figure 26: Segment routing network schematic](#).

For each router to be segment-routing capable, additional configuration within the **ospf 0** context is required. For PCC-1, this is as follows:

```

# on PCC-1:
configure
router Base
    ospf 0
        traffic-engineering
        advertise-router-capability area
        segment-routing
            prefix-sid-range global
            no shutdown
        exit
    area 0.0.0.0
        interface "system"
            node-sid label 20001
            no shutdown
        exit
    exit
no shutdown

```

The router capability is enabled using the **advertise-router-capability area** command, which defines the flooding scope of the opaque LSA used for this purpose as area. Traffic engineering is also enabled.

Also, MPLS must be enabled on each interface within the **configure router mpls** context, and RSVP must be enabled using **configure router rsvp no shutdown** to ensure that OSPF opaque LSAs are generated.

A node SID is manually configured as a label, equivalent to the absolute node SID value. It is possible to configure the node SID as an index. Indexing is explained in the chapter [Segment Routing with IS-IS Control Plane](#).

Finally, segment routing is enabled, along with the **prefix-sid-range** command that states that the node prefix SID values of all routers within the network will be within the range of the global block.

The value of the **prefix-sid-range** must be the same for all routers; in this case, the range is always 1000.

The following output taken from PCC-1 shows the prefix SIDs configured on the routers in the network and advertised using OSPF. This will be identical for all routers in the network.

```

*A:PCC-1# show router ospf prefix-sids
=====
Rtr Base OSPFv2 Instance 0 Prefix-Sids
=====
Prefix                               Area      RtType   SID
Adv-Rtr                               SRMS     Flags
-----
192.0.2.1/32                          0.0.0.0   INTRA-AREA 1
                                           192.0.2.1   N          NnP
192.0.2.2/32                          0.0.0.0   INTRA-AREA 2

```

```

192.0.2.2          192.0.2.2      N      NnP
192.0.2.3/32     0.0.0.0        INTRA-AREA 3
192.0.2.3        192.0.2.3      N      NnP
192.0.2.4/32     0.0.0.0        INTRA-AREA 4
192.0.2.4        192.0.2.4      N      NnP
192.0.2.5/32     0.0.0.0        INTRA-AREA 5
192.0.2.5        192.0.2.5      N      NnP
192.0.2.6/32     0.0.0.0        INTRA-AREA 6
192.0.2.6        192.0.2.6      N      NnP
-----
No. of Prefix/SIDs: 6
SRMS      : Y/N = prefix SID advertised by SR Mapping Server (Y) or not (N)
S        = SRMS prefix SID is selected to be programmed
SID Flags : N = Node-SID

nP = no penultimate hop POP

      M = Mapping server
      E = Explicit-Null
      V = Prefix-SID carries a value
      L = value/index has local significance
      A = Attached flag
      B = Backup flag
      I = Inter Area flag
=====

```

The prefix SID for each node is displayed as an index; for example, 1. The absolute value of the node SID is obtained by adding the (label_base) + (advertised SID index) = node prefix SID. The base label value for each router is chosen to be 20000, so the node prefix SID for PCC-1, for example, is 20000 + 1 = 20001.

Adjacency SIDs are generated by OSPF for each interface link, and are advertised within the extended link opaque LSA using the adjacency SID sub-TLV. The following output shows the extended link opaque LSAs of PCC-1. There are two network links, so there are two LSAs, with link state IDs of 8.0.0.3 and 8.0.0.4.

```

*A:PCC-1# show router ospf opaque-database adv-router 192.0.2.1 detail
=====
Rtr Base OSPFv2 Instance 0 Opaque Link State Database (type: All) (detail)
=====
---snip---
-----
Opaque LSA
-----
Area Id       : 0.0.0.0          Adv Router Id  : 192.0.2.1
Link State Id : 8.0.0.3             LSA Type       : Area Opaque
Sequence No   : 0x80000001      Checksum       : 0x2582
Age           : 138             Length         : 48
Options       : E
Advertisement : Extended Link
  TLV Extended link (1) Len 24 :
    link Type=P2P (1) Id=192.0.2.5 Data=192.168.15.1
  Sub-TLV Adj-SID (2) len 7 :
    Flags=Value Local (0x60)
    MT-ID=0 Weight=0 SID/Index/Label=524287
-----
Opaque LSA
-----

```



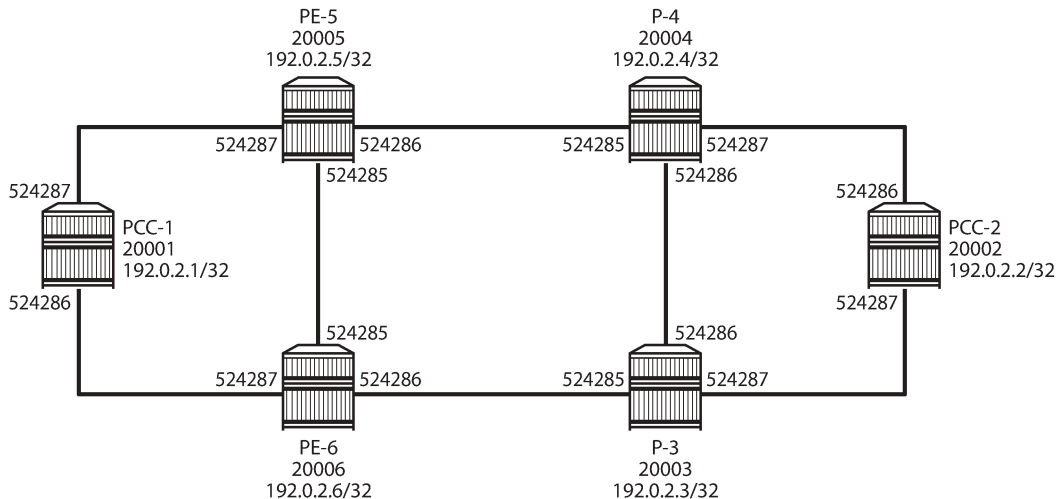
```

Area Id       : 0.0.0.0           Adv Router Id  : 192.0.2.1
Link State Id : 8.0.0.4           LSA Type      : Area Opaque
Sequence No   : 0x80000001       Checksum      : 0x1d88
Age           : 138               Length        : 48
Options       : E
Advertisement  : Extended Link
  TLV Extended link (1) Len 24 :
    link Type=P2P (1) Id=192.0.2.6 Data=192.168.16.1
  Sub-TLV Adj-SID (2) len 7 :
    Flags=Value Local (0x60)
    MT-ID=0 Weight=0 SID/Index/Label=524286
=====
    
```

The adjacency SID for interface on PCC-1 toward PE-5 is 524287, and the adjacency SID for the interface toward PE-6 is 524286.

A full collection of SIDs for the whole network is shown in [Figure 27: Node and adjacency SIDs](#).

Figure 27: Node and adjacency SIDs



26382

Segment routing TE-LSPs

This section describes SR-TE LSPs that are configured on the head-end router (the PCC). The path taken through the network is computed locally by the PCC. To influence the path taken, a series of strict and/or loose hops are configured in an MPLS path.



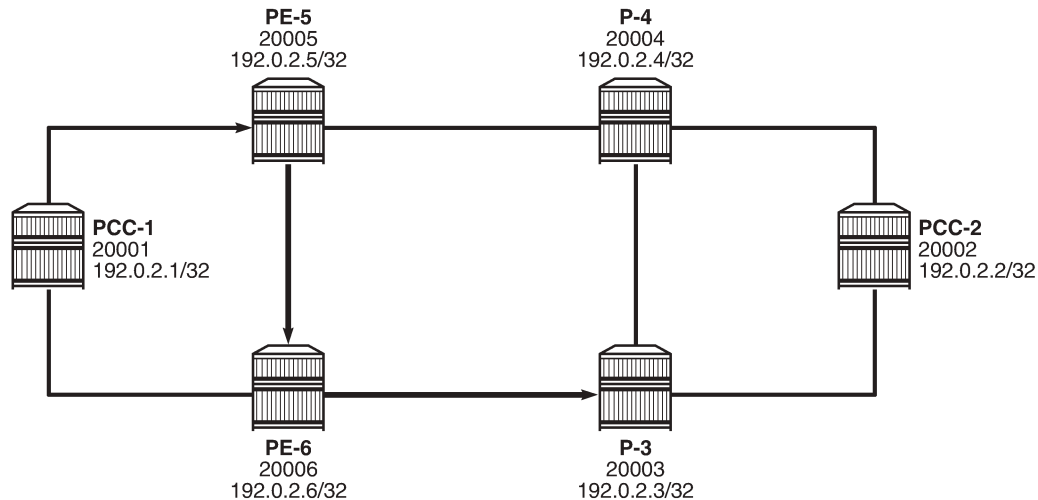
Note:

SR-TE LSPs configured with a loose path that contains no hops is effectively a shortest path tunnel to the destination node. The destination address is resolved to the node SID of the tail-end router.

PCC-initiated and computed LSP – strict path

Consider an SR-TE LSP configured on PCC-1, with tail end at PCC-2. Assume there is a requirement for the LSP to avoid the link from PE-5 to P-4 during normal working, so a strict path from PCC-1 via PE-5 to PE-6, and then on to P-3 is required before being forwarded to PCC-2. This is shown in [Figure 28: PCC computed strict path between PCC-1 and PCC-2](#).

Figure 28: PCC computed strict path between PCC-1 and PCC-2



26383

To meet these requirements, an MPLS path is configured containing the following strict hops, using the system addresses to identify the hops. The following configures the MPLS path required on PCC-1. This uses the identical CLI construct as an MPLS path used in configuring an RSVP-TE LSP.

```
# on PCC-1:
configure
router Base
 mpls
  path "PCC-controlled-strict-path"
  hop 1 192.0.2.5 strict
  hop 2 192.0.2.6 strict
  hop 3 192.0.2.3 strict
  no shutdown
exit
```

The SR-TE LSP is configured on PCC-1 as follows:

```
# on PCC-1:
configure
router Base
 mpls
  lsp "PCC-1-PCC-2-PCC-strict-lsp" sr-te
  to 192.0.2.2
  primary "PCC-controlled-strict-path"
  exit
  no shutdown
exit
```

Again, the same CLI construct as an RSVP-TE LSP is used, except for the **sr-te** keyword at creation time. If the **sr-te** keyword is not used, the LSP is signaled as an RSVP-TE LSP. The LSP configuration references the previously-created MPLS path as the primary path.

When placed in a **no shutdown** state, the LSP path status is as shown in the following output:

```
*A:PCC-1# show router mpls sr-te-lsp "PCC-1-PCC-2-PCC-strict-lsp" path detail

=====
MPLS SR-TE LSP PCC-1-PCC-2-PCC-strict-lsp
Path (Detail)
=====
Legend :
S      - Strict                L      - Loose
A-SID  - Adjacency SID        N-SID  - Node SID
+      - Inherited
=====
-----
LSP SR-TE PCC-1-PCC-2-PCC-strict-lsp
Path PCC-controlled-strict-path
-----
LSP Name      : PCC-1-PCC-2-PCC-strict-lsp
Path LSP ID   : 43520
From          : 192.0.2.1
To           : 192.0.2.2
Admin State   : Up
Oper State    : Up
Path Name     : PCC-controlled-strict-path
Path Type     : Primary
Path Admin    : Up
Path Oper     : Up
Path Up Time  : 0d 00:00:10
Path Down Time : 0d 00:00:00
Retry Limit   : 0
Retry Timer   : 30 sec
Retry Attempt : 0
Next Retry In : 0 sec

PathCompMethod : none
OperPathCompMethod: none
MetricType     : igp
Oper MetricType : igp
LocalSrProt    : preferred
Oper LocalSrProt : N/A
LabelStackRed  : Disabled
Oper LabelStackRed: N/A

Bandwidth      : No Reservation
Oper Bandwidth : 0 Mbps
Hop Limit      : 255
Oper HopLimit  : 255
Setup Priority  : 7
Oper SetupPriority: 7
Hold Priority   : 0
Oper HoldPriority : 0
Inter-area     : N/A

PCE Updt ID    : 0
Oper PCE Updt State : None
PCE Upd Fail Code: noError

PCE Report     : Disabled+
Oper PCE Report : Disabled
PCE Control    : Disabled
Oper PCE Control : Disabled

Include Groups :
None
Oper IncludeGroups:
None
Exclude Groups :
None
Oper ExcludeGroups:
None
Last Resignal  : n/a

IGP/TE Metric  : 16777215
Oper Metric    : 16777215
Oper MTU       : 1548
Path Trans     : 1
Failure Code   : noError
Failure Node   : n/a
Explicit Hops  :
192.0.2.5(S)
-> 192.0.2.6(S)
```

```

-> 192.0.2.3(S)
Actual Hops      :
 192.168.15.2(192.0.2.5) (A-SID)      Record Label      : 524287
-> 192.168.56.2(192.0.2.6) (A-SID)      Record Label      : 524285
-> 192.168.36.1(192.0.2.3) (A-SID)      Record Label      : 524286
-> 192.0.2.2(192.0.2.2) (N-SID)        Record Label      : 20002

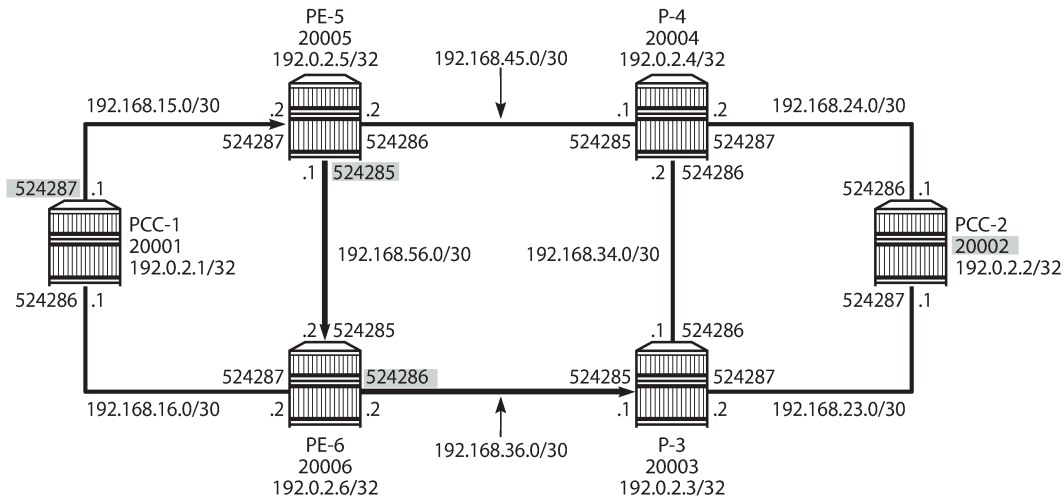
BFD Configuration and State
Template          : None                Ping Interval     : N/A
Enable           : False               State             : notApplicable
WaitForUpTimer   : 4 sec              OperWaitForUpTimer: 0 sec
WaitForUpTmLeft  : 0
StartFail Rsn    : N/A
=====

```

The Actual Hops output shows the address of the upstream router facing the configured strict hop (in brackets) referenced in the MPLS path, plus a loose hop for the destination hop of 192.0.2.2.

The interface addresses are translated into SIDs to be used as MPLS labels, by the head-end PCC router, PCC-1, by examining the OSPF TE database. Each strict hop is always translated into an adjacency SID (A-SID), and a loose hop is always translated into a node SID (N-SID). This is shown in [Figure 29: PCC computed LSP hop-to-label translation](#).

Figure 29: PCC computed LSP hop-to-label translation



26384

When the LSP is connected, the Tunnel Table Manager (TTM) adds an entry for the SR-TE LSP. This LSP is available for the provisioning of services that use the TTM. The following output shows the tunnel table for PCC-1, which includes the shortest-path tunnels to all other routers in the network, plus the entry for the provisioned SR-TE LSP. The default preference for an SR-TE LSP in the tunnel table is 8.

```

*A:PCC-1# show router tunnel-table

=====
IPv4 Tunnel Table (Router: Base)
=====
Destination      Owner      Encap TunnelId  Pref  Nexthop      Metric
Color
-----

```

192.0.2.2/32	sr-te	MPLS	655362	8	192.168.15.2	16777215
192.0.2.2/32	ospf (0)	MPLS	524291	10	192.168.15.2	2100
192.0.2.3/32	ospf (0)	MPLS	524294	10	192.168.16.2	1100
192.0.2.4/32	ospf (0)	MPLS	524292	10	192.168.15.2	1100
192.0.2.5/32	ospf (0)	MPLS	524293	10	192.168.15.2	1000
192.0.2.6/32	ospf (0)	MPLS	524295	10	192.168.16.2	1000
192.168.15.2/32	ospf (0)	MPLS	524289	10	192.168.15.2	0
192.168.16.2/32	ospf (0)	MPLS	524290	10	192.168.16.2	0

Flags: B = BGP or MPLS backup hop available
L = Loop-Free Alternate (LFA) hop available
E = Inactive best-external BGP route
k = RIB-API or Forwarding Policy backup hop

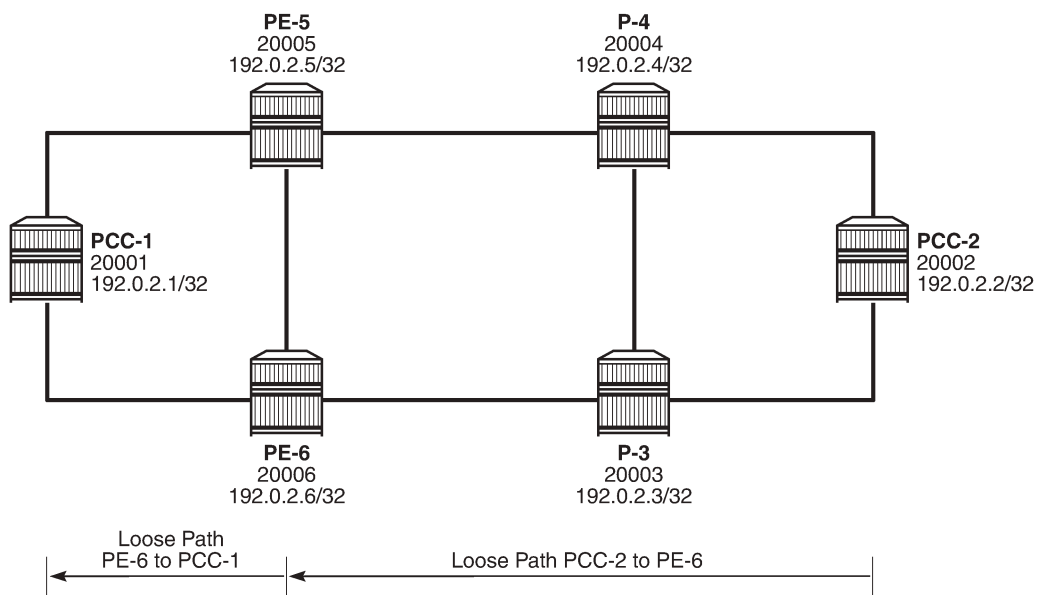
=====

The value of the metric is set to 16777215 (infinity – 1), because there is no CSPF and the head-end router is unaware of the full topology between head- and tail-end router.

PCC-initiated and computed LSP – loose path

Consider an LSP configured on PCC-2, with the tail end at PCC-1. There is a requirement for traffic on the LSP to pass through PE-6 before reaching PCC-1, so a loose path of PCC-2 to PE-6 before being forwarded to PCC-1 is required.

Figure 30: SR-TE LSP with loose path



26385

Figure 30: SR-TE LSP with loose path shows the concept of the loose path. The following configures the MPLS path containing a loose hop on PCC-2:

```
# on PCC-2:
configure
router Base
mpls
```

```

path "PCC-controlled-loose-path"
  hop 1 192.0.2.6 loose
  no shutdown
exit

```

The SR-TE LSP configuration, which references the previously created MPLS path as the primary path, is as follows:

```

# on PCC-2:
configure
  router Base
    mpls
      lsp "PCC-2-PCC-1-PCC-loose-lsp" sr-te
        to 192.0.2.1
        primary "PCC-controlled-loose-path"
      exit
      no shutdown
    exit

```

When placed in a **no shutdown** state, the LSP path status becomes operationally up, as in the following output:

```
*A:PCC-2# show router mpls sr-te-lsp "PCC-2-PCC-1-PCC-loose-lsp" path detail
```

```

=====
MPLS SR-TE LSP PCC-2-PCC-1-PCC-loose-lsp
Path (Detail)
=====
Legend :
  S      - Strict                L      - Loose
A-SID   - Adjacency SID        N-SID  - Node SID
+       - Inherited
=====
-----
LSP SR-TE PCC-2-PCC-1-PCC-loose-lsp
Path PCC-controlled-loose-path
-----
LSP Name      : PCC-2-PCC-1-PCC-loose-lsp
Path LSP ID   : 512
From          : 192.0.2.2
To            : 192.0.2.1
Admin State   : Up                Oper State    : Up
Path Name     : PCC-controlled-loose-path
Path Type     : Primary
Path Admin    : Up                Path Oper     : Up
Path Up Time  : 0d 00:00:10       Path Down Time : 0d 00:00:00
Retry Limit   : 0                 Retry Timer    : 30 sec
Retry Attempt : 0                 Next Retry In  : 0 sec

PathCompMethod : none              OperPathCompMethod: none
MetricType     : igp               Oper MetricType  : igp
LocalSrProt    : preferred          Oper LocalSrProt : N/A
LabelStackRed  : Disabled           Oper LabelStackRed: N/A

Bandwidth      : No Reservation     Oper Bandwidth   : 0 Mbps
Hop Limit      : 255                Oper HopLimit    : 255
Setup Priority  : 7                  Oper SetupPriority: 7
Hold Priority   : 0                  Oper HoldPriority : 0
Inter-area     : N/A

PCE Updt ID    : 0                  PCE Updt State  : None
PCE Upd Fail Code: noError

```

```

PCE Report      : Disabled+
PCE Control     : Disabled
Oper PCE Report : Disabled
Oper PCE Control : Disabled

Include Groups  :
None
Exclude Groups :
None
Last Resignal   : n/a

IGP/TE Metric   : 16777215
Oper MTU        : 1556
Failure Code    : noError
Failure Node    : n/a
Explicit Hops   :
                192.0.2.6(L)
Actual Hops   :
  192.0.2.6(192.0.2.6) (N-SID)
-> 192.0.2.1(192.0.2.1) (N-SID)
                Record Label : 20006
                Record Label : 20001

BFD Configuration and State
Template        : None
Enable          : False
WaitForUpTimer : 4 sec
WaitForUpTmLeft : 0
StartFail Rsn  : N/A
Ping Interval   : N/A
State           : notApplicable
OperWaitForUpTimer: 0 sec
    
```

The Actual Hops in the MPLS path are the configured loose hop plus a hop for the destination of 192.0.2.1. Again, the configured hop addresses are translated into labels by the head-end PCC router, PCC-2, by examining the OSPF TE database. The hop-to-label translation always translates a loose hop to a node SID (N-SID).

The LSP is installed by the TTM into the tunnel table, alongside OSPF advertised shortest path tunnels, for use by the TTM users.

```

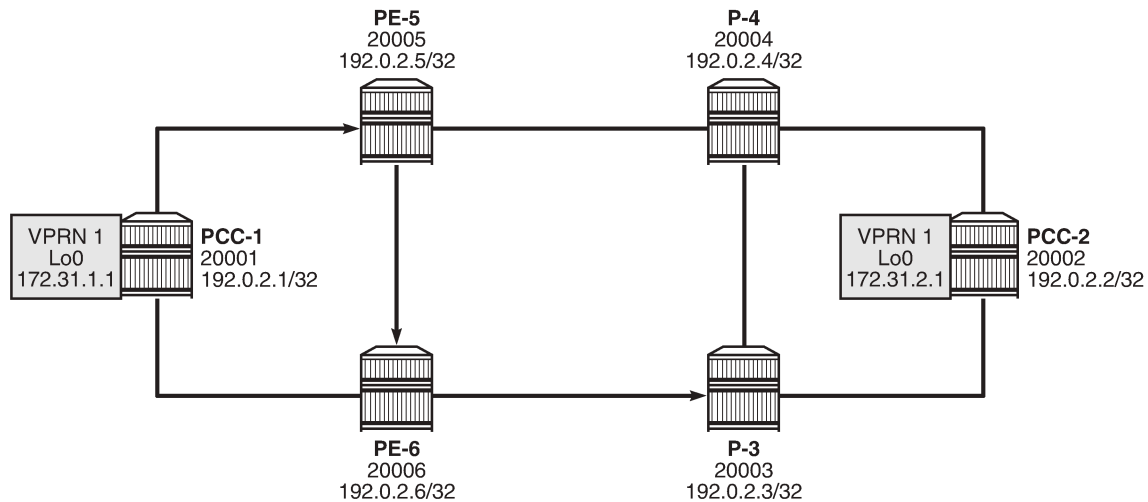
*A:PCC-2# show router tunnel-table

=====
IPv4 Tunnel Table (Router: Base)
=====
Destination      Owner      Encap TunnelId Pref  Nexthop      Metric
  Color
-----
192.0.2.1/32     sr-te     MPLS  655362   8    192.0.2.6    16777215
192.0.2.1/32     ospf (0) MPLS  524291  10    192.168.23.2 2100
192.0.2.3/32     ospf (0) MPLS  524292  10    192.168.23.2 1000
192.0.2.4/32     ospf (0) MPLS  524293  10    192.168.24.2 1000
192.0.2.5/32     ospf (0) MPLS  524294  10    192.168.24.2 1100
192.0.2.6/32     ospf (0) MPLS  524295  10    192.168.23.2 1100
192.168.23.2/32 ospf (0) MPLS  524289  10    192.168.23.2 0
192.168.24.2/32 ospf (0) MPLS  524290  10    192.168.24.2 0
-----
Flags: B = BGP or MPLS backup hop available
       L = Loop-Free Alternate (LFA) hop available
       E = Inactive best-external BGP route
       k = RIB-API or Forwarding Policy backup hop
    
```

Service provisioning – VPRN

SR-TE tunnels are another MPLS tunnel type, and can be used in the context of **auto-bind-tunnel** for resolving BGP next hops for IPv4 routes within a VPRN.

Figure 31: VPRN service schematic



26386

Figure 31: VPRN service schematic shows a VPRN service, configured on PCC-1 and PCC-2. The following configures the VPRN 1 on PCC-1. It includes a local interface using a /32 loopback address, which will be used to verify that routing is working correctly.

```
# on PCC-1:
configure
service
  vprn 1 name "VPRN 1" customer 1 create
  autonomous-system 65545
  interface "loopback" create
  address 172.31.1.1/32
  loopback
  exit
  bgp-ipvpn
  mpls
  auto-bind-tunnel
  resolution-filter
  sr-te
  exit
  resolution filter
  exit
  route-distinguisher 65545:1
  vrf-target target:65545:1
  no shutdown
  exit
exit
no shutdown
```




Note:

The **auto-bind-tunnel** command has the **resolution-filter** option set to **sr-te**, so that any BGP routes received will have the next-hop resolved to an SR-TE LSP. The VPRN configuration on PCC-2 also uses **auto-bind-tunnel sr-te**.

```
# on PCC-2:
configure
  service
    vprn 1 name "VPRN 1" customer 1 create
      autonomous-system 65545
      interface "loopback" create
        address 172.31.2.1/32
        loopback
      exit
      bgp-ipvpn
        mpls
          auto-bind-tunnel
            resolution-filter
              sr-te
            exit
          resolution filter
        exit
      route-distinguisher 65545:1
      vrf-target target:65545:1
      no shutdown
    exit
  exit
no shutdown
```

Examination of the VPRN route table shows that the route prefix representing the IP address of the loopback address configured in VPRN 1 is shown, and is resolved via the SR-TE tunnel.

```
*A:PCC-1# show router 1 route-table

=====
Route Table (Service: 1)
=====
Dest Prefix[Flags]
Next Hop[Interface Name]
Type Proto Age Pref
Metric
-----
172.31.1.1/32 Local Local 00h02m11s 0
loopback 0
172.31.2.1/32 Remote BGP VPN 00h01m19s 170
192.0.2.2 (tunneled:SR-TE:655362) 16777215
-----
No. of Routes: 2
Flags: n = Number of times nexthop is repeated
B = BGP backup route available
L = LFA nexthop available
S = Sticky ECMP requested
=====
```

Connectivity is verified by sending a ping from the loopback interface within VPRN 1 on PCC-1 to the loopback address within VPRN 1 on PCC-2, as follows:

```
*A:PCC-1# ping router 1 172.31.2.1 source 172.31.1.1
PING 172.31.2.1 56 data bytes
64 bytes from 172.31.2.1: icmp_seq=1 ttl=64 time=4.78ms.
64 bytes from 172.31.2.1: icmp_seq=2 ttl=64 time=4.67ms.
64 bytes from 172.31.2.1: icmp_seq=3 ttl=64 time=4.64ms.
```

```
64 bytes from 172.31.2.1: icmp_seq=4 ttl=64 time=4.63ms.
64 bytes from 172.31.2.1: icmp_seq=5 ttl=64 time=4.47ms.

---- 172.31.2.1 PING Statistics ----
5 packets transmitted, 5 packets received, 0.00% packet loss
round-trip min = 4.47ms, avg = 4.64ms, max = 4.78ms, stddev = 0.099ms
```

For completeness, a ping is sent in the opposite direction, between the PCC-2 VPRN 1 interface to PCC-1 VPRN 1, as follows:

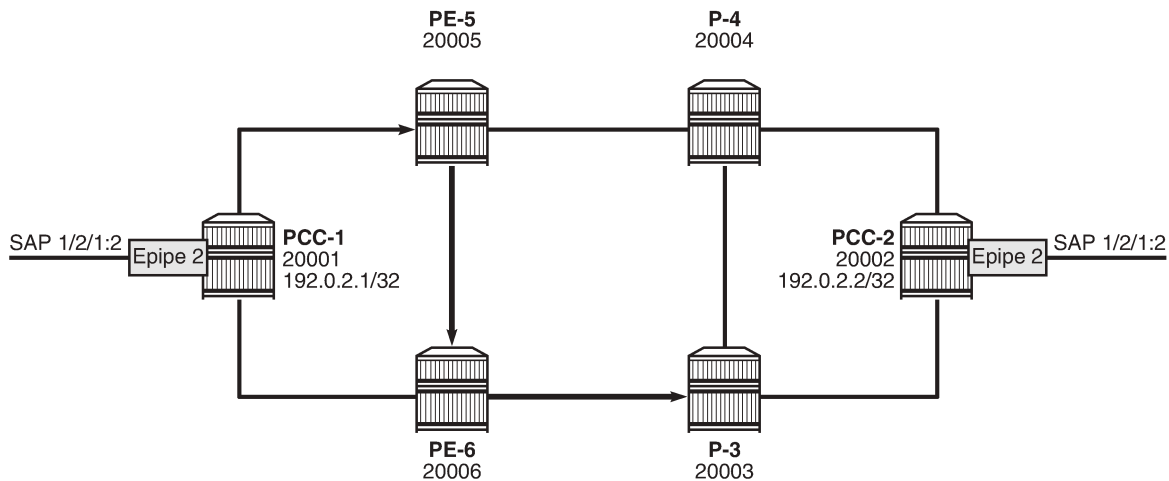
```
*A:PCC-2# ping router 1 172.31.1.1 source 172.31.2.1
PING 172.31.1.1 56 data bytes
64 bytes from 172.31.1.1: icmp_seq=1 ttl=64 time=4.71ms.
64 bytes from 172.31.1.1: icmp_seq=2 ttl=64 time=4.73ms.
64 bytes from 172.31.1.1: icmp_seq=3 ttl=64 time=5.05ms.
64 bytes from 172.31.1.1: icmp_seq=4 ttl=64 time=4.81ms.
64 bytes from 172.31.1.1: icmp_seq=5 ttl=64 time=4.47ms.

---- 172.31.1.1 PING Statistics ----
5 packets transmitted, 5 packets received, 0.00% packet loss
round-trip min = 4.47ms, avg = 4.75ms, max = 5.05ms, stddev = 0.186ms
```

Layer 2 service provisioning – SR-TE

SR-TE tunnels can also be bound as a transport tunnel within SDPs. To illustrate this, consider the following example of a simple Epipe connected between PCC-1 and PCC-2, as shown in [Figure 32: Epipe service schematic](#).

Figure 32: Epipe service schematic



26387

Create an SDP on PCC-1, with far end on PCC-2, and bind it to the previously created SR-TE LSP:

```
# on PCC-1:
configure
service
sdp 12 mpls create
far-end 192.0.2.2
```

```

sr-te-lsp "PCC-1-PCC-2-PCC-strict-lsp"
no shutdown
exit

```

Create an Epipe on PCC-1:

```

# on PCC-1:
configure
service
epipe 2 name "Epipe 2" customer 1 create
sap 1/2/1:2 create
exit
spoke-sdp 12:2 create
exit
no shutdown
exit

```

Similarly, for PCC-2, create an MPLS SDP and explicitly bind the SR-TE LSP, as follows:

```

# on PCC-2:
configure
service
sdp 21 mpls create
far-end 192.0.2.1
sr-te-lsp "PCC-2-PCC-1-PCC-loose-lsp"
no shutdown
exit

```

Configure Epipe 2 on PCC-2, referencing the SDP as a spoke-SDP:

```

# on PCC-2:
configure
service
epipe 2 name "Epipe 2" customer 1 create
sap 1/2/1:2 create
exit
spoke-sdp 21:2 create
exit
no shutdown
exit

```

Service verification

The state of SDP 12 on PCC-1 is shown in the following output:

```

*A:PCC-1# show service sdp

=====
Services: Service Destination Points
=====
SdpId  AdmMTU  OprMTU  Far End          Adm  Opr          Del  LSP  Sig
-----
12     0       1544   192.0.2.2       Up   Up           MPLS T    TLDP
-----
Number of SDPs : 1
-----
Legend: R = RSVP, L = LDP, B = BGP, M = MPLS-TP, n/a = Not Applicable
        I = SR-ISIS, 0 = SR-OSPF, T = SR-TE, F = FPE

```

The output shows the LSP type as an SR-TE LSP - "T".

On PCC-1, the following output shows the base state of the Epipe service entities:

```
*A:PCC-1# show service id 2 base
=====
Service Basic Information
=====
Service Id       : 2                Vpn Id          : 0
Service Type    : Epipe
MACSec enabled  : no
Name            : Epipe 2
Description     : (Not Specified)
Customer Id     : 1                Creation Origin  : manual
Last Status Change: 04/08/2021 13:29:11
Last Mgmt Change  : 04/08/2021 13:28:31
Test Service    : No
Admin State     : Up                Oper State      : Up
MTU             : 1514
Vc Switching   : False
SAP Count      : 1                SDP Bind Count  : 1
Per Svc Hashing : Disabled
Vxlan Src Tep Ip : N/A
Force QTag Fwd  : Disabled
Oper Group     : <none>

-----
Service Access & Destination Points
-----
Identifier                Type      AdmMTU  OprMTU  Adm  Opr
-----
sap:1/2/1:2                q-tag    1518    1518    Up   Up
sdp:12:2 S(192.0.2.2)     Spok     0       1544    Up   Up
=====
```

Similarly, on PCC-2, the status of SDP 21 is as follows:

```
*A:PCC-2# show service sdp
=====
Services: Service Destination Points
=====
SdpId  AdmMTU  OprMTU  Far End      Adm  Opr      Del  LSP  Sig
-----
21     0       1552    192.0.2.1    Up  Up       MPLS  T    TLDP
-----
Number of SDPs : 1
-----
Legend: R = RSVP, L = LDP, B = BGP, M = MPLS-TP, n/a = Not Applicable
        I = SR-ISIS, 0 = SR-OSPF, T = SR-TE, F = FPE
=====
```

The state of the Epipe service on PCC-2 is shown in the following output:

```
*A:PCC-2# show service id 2 base
=====
Service Basic Information
=====
```

```

Service Id      : 2                Vpn Id         : 0
Service Type    : Epipe
MACSec enabled  : no
Name           : Epipe 2
Description     : (Not Specified)
Customer Id    : 1                Creation Origin : manual
Last Status Change: 04/08/2021 13:29:11
Last Mgmt Change : 04/08/2021 13:28:58
Test Service    : No
Admin State     : Up              Oper State      : Up
MTU            : 1514
Vc Switching   : False
SAP Count      : 1              SDP Bind Count  : 1
Per Svc Hashing : Disabled
Vxlan Src Tep Ip : N/A
Force QTag Fwd : Disabled
Oper Group     : <none>
    
```

Service Access & Destination Points

Identifier	Type	AdmMTU	OprMTU	Adm	Opr
sap:1/2/1:2	q-tag	1518	1518	Up	Up
sdp:21:2 S(192.0.2.1)	Spok	0	1552	Up	Up

=====

Conclusion

Segment routing LSPs extend the use of MPLS labels into traffic engineering applications. This chapter provides the configuration for router instantiated and controlled SR-TE LSPs along with some examples of the application in a VPRN and Epipe. The chapter also shows the associated commands and outputs that can be used for verifying and troubleshooting.

Segment Routing over IPv6

This chapter provides information about Segment Routing over IPv6.

Topics in this chapter include:

- [Applicability](#)
- [Overview](#)
- [Configuration](#)
- [Conclusion](#)

Applicability

The information and configuration in this chapter are based on SR OS Release 21.10.R1. Segment Routing over IPv6 (SRv6) is supported on FP4-based equipment in SR OS Release 21.5.R2 and later.

Overview

Segment Routing (SR) provides control over the forwarding paths without any need for path signaling, as described in chapter [Segment Routing with IS-IS Control Plane](#) for SR over IPv4. An SR tunnel contains a list of one or more segments. Each segment is identified by a segment identifier (SID). For SR over IPv4, the SIDs are MPLS labels from a configured SR-label range.

SRv6 provides IPv6 transport with both shortest path and source routing capabilities. SRv6 is a framework for the programmability of IPv6, which utilizes the large IPv6 address space. SRv6 data path encapsulation models each SID using a 128-bit IPv6 address, with differences for shortest-path routing and source routing.

In shortest-path routing, the destination SID is encoded in the Destination Address (DA) field of the outer IPv6 header, as shown in [Table 5: SRv6 shortest path routing](#).

Table 5: SRv6 shortest path routing

Header type	Parameter encoding
IPv6	Next header = IP SA = 2001:db8::2:1 DA= 2001:db8:aaaa:101:0:1000::
IP	Version 4, IHL=20 SA= 10.1.2.1 DA = 10.3.2.1 Protocol = UDP

Header type	Parameter encoding
	...

In source routing, the SIDs of the nodes the packet must traverse are encoded as a SID list in the Segment Routing Header (SRH). The next SID in a segment list to forward the packet to is copied from the SRH into the DA field of the outer IPv6 header. The SID in the DA field determines the termination of the current segment. At the segment endpoint node, the next header (in this case, SRH) is examined and the next active SID is copied to the DA field. [Table 6: SRv6 source routing](#) shows an example with SRv6 source routed path segment list in the SRH.

Table 6: SRv6 source routing

Header type	Parameter encoding
IPv6	Next header = SRH SA = 2001:db8::2:1 DA= 2001:db8:aaaa:111:0:1000::
SRH	Segments left = 2 Segment 0 - 2001:db8:aaaa:102:0:1000:: Segment 1 - 2001:db8:aaaa:112:0:1000:: Segment 2 - 2001:db8:aaaa:111:0:1000:: Next Header = IP

SRv6 SID

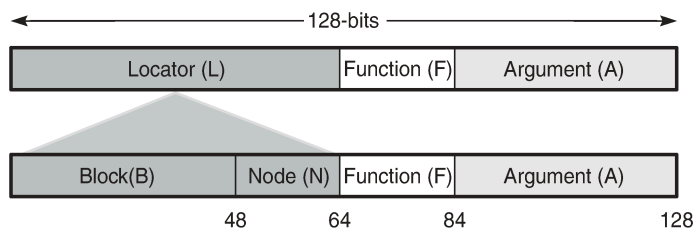
An SRv6 SID is a routable IPv6 prefix when it is set as the IPv6 header DA.



Note:
IPv6 router interface addresses are not SRv6 SIDs.

[Figure 33: SRv6 SID encoding](#) shows that the 128-bit address of an SRv6 SID is split into three constituent parts: locator, function, argument.

Figure 33: SRv6 SID encoding



37192

- The locator is a summary IPv6 prefix for a set of SIDs instantiated on an SRv6-capable router. The locator:

- must be explicitly configured
- is advertised using IS-IS
- can be associated with a topology and/or Flex-Algorithm
- provides reachability to all SIDs originated by a router if the locator part of the SRv6 SID is routable
- comprises the L most significant bits of the SID, with L ranging from 4 to 96 bits
- has format B:N
 - All routers in a domain have the same block address B.
 - Each router in the domain has its own node-specific address N.
- The function is an opaque identification of a local behavior bound to the segment, as described in RFC 8986. [Table 7: SRv6 endpoint behaviors supported in SR OS Release 21.10.R1](#) lists the SRv6 endpoint behaviors supported in SR OS Release 21.10.R1.

Table 7: SRv6 endpoint behaviors supported in SR OS Release 21.10.R1

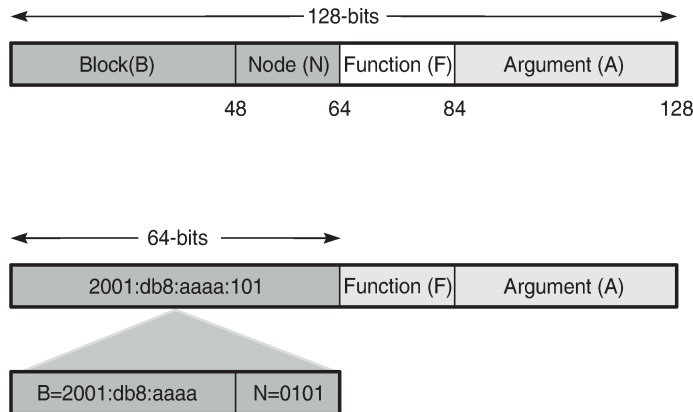
Function name	Role or behavior	Description
End	Endpoint	Equivalent to a node SID
End.X	Endpoint with an L3 cross-connect (X-connect)	Equivalent to an adjacency SID
LAN-End.X	Endpoint with an L3 cross-connect (X-connect)	Equivalent to an adjacency SID associated with a broadcast interface
End.DT4	De-encapsulate and perform an IPv4 table lookup	<ul style="list-style-type: none"> – VPRN table lookup: per-VRF SID for the VPN-IPv4 address family – Prefix lookup in the global IPv4 routing table
End.DT6	De-encapsulate and perform an IPv6 table lookup	<ul style="list-style-type: none"> – VPRN table lookup: per-VRF SID for the VPN-IPv6 address family – Prefix lookup in the global IPv6 routing table
End.DT46	De-encapsulate and perform IPv4 and IPv6 table lookups	<ul style="list-style-type: none"> – VPRN table lookup: both IPv4 and IPv6 - equivalent to per-VRF label – VPN-IPv4 and VPN-IPv6 routes are advertised with a single label in the same VRF

- The argument, which is not a configurable field in SR OS Release 21.10.R1, is set to all zeros.

[Figure 34: SRv6 SID encoding example](#) shows an example of an SRv6 SID with the following:

- B = 48 bits
- N = 16 bits
- L = B + N = 48 bits + 16 bits = 64 bits
- F = 20 bits
- The remaining 44 bits (A) are set to zero.

Figure 34: SRv6 SID encoding example



37193

The /64 locator part for a set of routers in a routing domain consists of:

- a common 48-bit block, for example, 2001:db8:aaaa::/48
- a unique 16-bit node identifier allocated in the range from 0000 to ffff

Some examples:

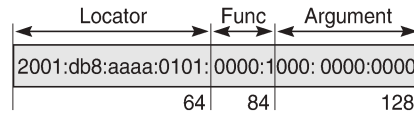
- locator for PE-1 = 2001:db8:aaaa:101::/64
- locator for PE-2 = 2001:db8:aaaa:102::/64
- locator for PE-3 = 2001:db8:aaaa:103::/64

The local router installs the locator in its IPv6 route table and FIB. The locator prefix is advertised in IS-IS in the SRv6 locator sub-TLV. Each remote router populates its route table and FIB with the locator prefixes, including the tunneled next-hop to the originating router.

The function field has a configurable length, ranging from 20 to 96 bits. By default, the function field has 20 bits. The function field is used to assign End and End.X SIDs, which are used by remote routers to create repair tunnels for remote and topology-independent loopfree-alternate (RLFA and TI-LFA) backup paths.

- An End function is statically configured in SR OS:
 - By default, the number of static functions is 1.
 - For example, the End function with value 1 in the 20-bit format is represented as 00001 in hexadecimal, followed by the zeros of the argument field.
 - The End SID (node SID) for PE-1 equals 2001:db8:aaaa:101:0:1000::/128, as shown in [Figure 35: End SID for PE-1](#)

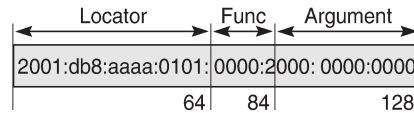
Figure 35: End SID for PE-1



37194

- The End.X function can be statically configured or automatically assigned by the system.
 - In case of static configuration, the number of static functions must be increased.
 - For the function with value 2 in a function field of 20 bits, the corresponding hexadecimal pattern is 00002, followed by the zeros of the argument field.
 - The End.X SID (adjacency SID) for PE-1 equals 2001:db8:aaaa:101:0:2000::/128, as shown in [Figure 36: End.X SID for PE-1](#).

Figure 36: End.X SID for PE-1



37195

IPv6 header and SRH

This section describes how source routing works with the insertion of an SRH.



Note:

SR OS Release 21.10 has no mechanism for computing a source-routed path for normal data traffic flow; for example, there is no equivalent to the SR-TE or SR-policy label stack for source routing. The use of the SRH is restricted to repair tunnels computed by the TI-LFA process. When a link or node failure occurs, the Point of Local Repair (PLR) inserts an appropriate SRH for SRv6 traffic that is to be routed around the failure during IGP convergence.

Different SR node types are defined: source node, transit node, and segment endpoint node. To enable source routing on the IPv6 source router, the SRH contains an ordered list of one or more SRv6 SIDs.

[Figure 37: IPv6 header defined in RFC 8200](#) shows the IPv6 header where the next header field must be coded as 43 when the IPv6 extension header, which follows the IPv6 header, is an SRH.

Figure 37: IPv6 header defined in RFC 8200

Traffic class	Flow label	
Payload length	Next header	Hop limit
Source address		
Destination address		

37196

Figure 38: Position of the SRH in the protocol stack shows that the header following the IPv6 header sits between the IPv6 header and upper layer protocols, such as TCP or UDP.

Figure 38: Position of the SRH in the protocol stack

IPv6 header
SRH
Upper layer protocol (TCP, UDP ...)

37197

Figure 39: SRH defined in RFC 8754 shows the SRH.

Figure 39: SRH defined in RFC 8754

Next header	HDR extension length	Routing type	Segments left
Last entry	Flags	Tag	
Segment list [0]			
Segment list [1]			
....			
Segment list [n]			
Optional TLVs			

37198

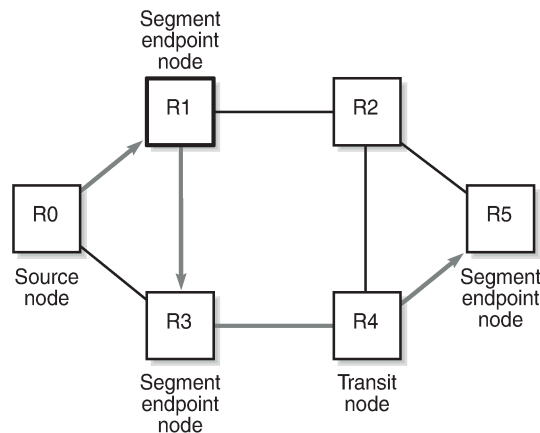
The SRH is derived from the IPv6 routing header as defined in RFC 8200. The SRH fields are:

- Next header: defines the type of header following SRH, for example, TCP or UDP.
- Routing type for SRH: 4.
- Segments left: the number of explicitly listed intermediate nodes still to be traversed before reaching the final destination.

- Last entry: contains the zero-based index of the last element of the segment list.
- Segment list [n]: a 128-bit IPv6 address representing the nth segment in the segment list. The segment list is encoded in reverse numerical order: segment list [0] is the first element in the segment list and contains the last segment of the SR path, segment list [1] contains the penultimate segment of the SR path, and so on.

Figure 40: SRv6 node types shows the SR node types: source node, transit node, and segment endpoint node for an SRv6 packet flow from R0 to R5 via hops R1, R3, and R5.

Figure 40: SRv6 node types



37199

The intermediate hops R1, R3, and R5 are programmed in the segment list of the SRH.

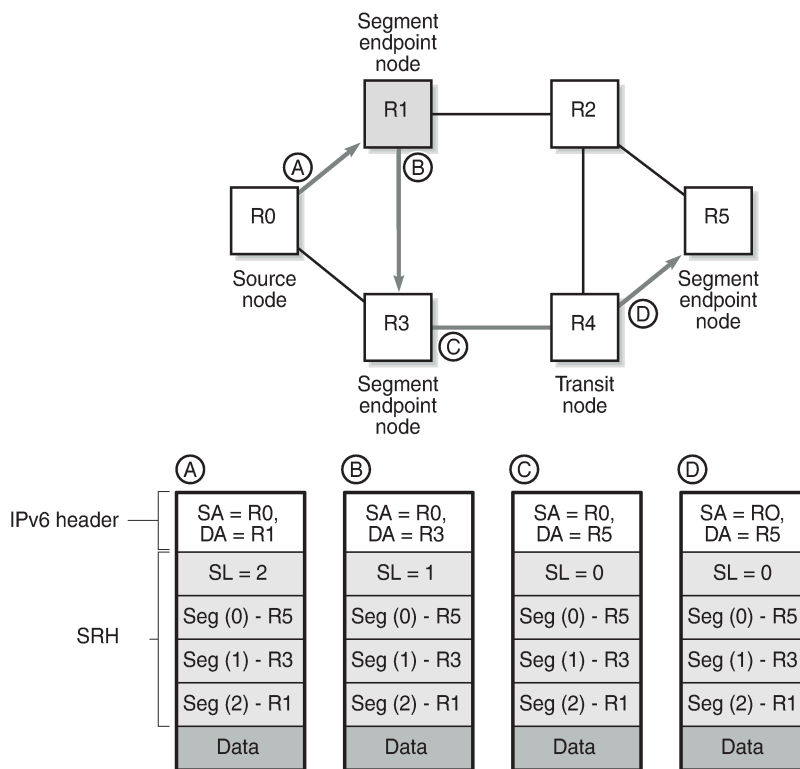
The SRv6 node types defined in RFC 8754 are:

- SR source node
 - Any node that originates an IPv6 packet with a segment (that is, an SRv6 SID) in the DA field of the IPv6 header.
 - The IPv6 packet leaving the SR source node may or may not contain an SRH. This includes either:
 - a host originating an IPv6 packet
 - an SR domain ingress router encapsulating a received packet in an outer IPv6 header, followed by an optional SRH
 - In this example, R0 acts as an SR source node and includes an SRH containing a segment list.
- SR transit node
 - Any node forwarding an IPv6 packet where the DA of the packet is not locally configured as a segment or a local interface. A transit node need not be capable of processing a segment or SRH.
 - In this example, R4 acts as an SR transit node. It forwards the SRv6 packet without processing the SRH.
- SR segment endpoint node
 - Any node receiving an IPv6 packet where the DA of that packet is locally configured as a segment or local interface.

- In this example, R1, R3, and R5 are SR segment endpoint nodes. These nodes interrogate the SRH as part of packet processing.

Figure 41: Data forwarding of SRv6 encapsulated packets using SRv6 SIDs shows the data forwarding of SRv6 encapsulated packets using SRv6 SIDs at R0 and R1.

Figure 41: Data forwarding of SRv6 encapsulated packets using SRv6 SIDs



37200

Source node R0 tunnels an SRv6 packet to destination R5, segment (0), in the SRH.

- The segment list contains SRv6 SIDs associated with each hop, such as the End SID. The first segment endpoint is the last segment in the list, segment (2) in the example. The Segments Left (SL) field is set to a value matching the highest segment list number (2).
- SRH is only used by routers where the DA is equal to a local address. The IPv6 source address is set to the local IPv6 address of R0. The IPv6 DA in the IPv6 header is set to the segment list entry indexed in the SL field; in this case, R₁.
- The packet is forwarded to R1.

At R₁, the incoming packet has the IPv6 DA matching R1.

- R1 removes the IPv6 header and processes the SRH. The SL is decremented to SL 1, which corresponds to segment (1) = R3.
- R1 adds an IPv6 header with DA equal to the SID for R₃.
- R1 forwards the packet to R3.

At R₃, the incoming packet has the IPv6 DA matching R₃.

- R3 removes the IPv6 header and processes the SRH. The SL is decremented to SL 0, which corresponds to segment (0) = R5.
- R3 adds an IPv6 header with DA equal to the SID for R5.
- R3 forwards the packet to R5.

At R4, the incoming packet has the IPv6 DA matching R5, so the packet is forwarded to R5 without processing the SRH header and without changing the IPv6 DA.

At R5, the incoming packet has the IPv6 DA matching R₅, so the IPv6 header is removed and the SRH header is processed. The SL value 0 cannot be decreased anymore, so R5 removes the SRH and the packet is sent for further processing, for example, to a particular VPRN.



Note:

The IPv6 SID at segment (0) may contain an opaque behavior value (function) that indicates to the destination node that further processing is required, such as a VPRN table lookup.

Data path support: forwarding path extensions

SRv6 data traffic requires additional processing at both the ingress and egress data planes. This processing is performed via an internal cross connect in the form of port cross-connect (PXC) ports. SRv6 traffic is steered from the input to a PXC port, where it is internally looped for additional processing.

The PXC port is associated with the SRv6 application using a Forwarding Path Extension (FPE). An origination (egress) FPE and termination (ingress) FPE are associated with SRv6. The additional processing in the SRv6 data path is as follows:

- Ingress PE node
 - At the origination FPE data path, L2 and L3 service packets are received and the SRv6 encapsulation header is pushed for the primary path and for the backup path based on the index passed by the service context in the internal packet header.
 - The hop-limit field in the outer IPv6 header of the SRv6 tunnel is set to 255.
 - At the termination FPE data path, a lookup is done on the DA field in the outer IPv6 header, and the packet is forwarded to one of the candidate egress network IP interfaces based on a hash of the flow label and SA/DA fields of the outer IPv6 packet header.
- Egress PE node
 - At the origination FPE data path of the incoming router interface, a longest prefix match of the DA in the outer IPv6 header is performed in the SRv6 SID FIB.
 - If there is a match against a local locator prefix, the packet is forwarded to the termination FPE for service SID termination processing.
 - The termination FPE does an Ingress Label Map (ILM) lookup on the service label and forwards the packet to the service context for further processing.
 - At the origination FPE data path, the SRH is processed. The SRv6 encapsulation is removed, and a service label is inserted into the inner packet with label value derived from the function field.
- Transit router
 - Transit routers do not require FPEs.
 - Transit routers receiving SRv6-encapsulated packets make forwarding decisions based on the IPv6 route table lookups.

SRH processing modes

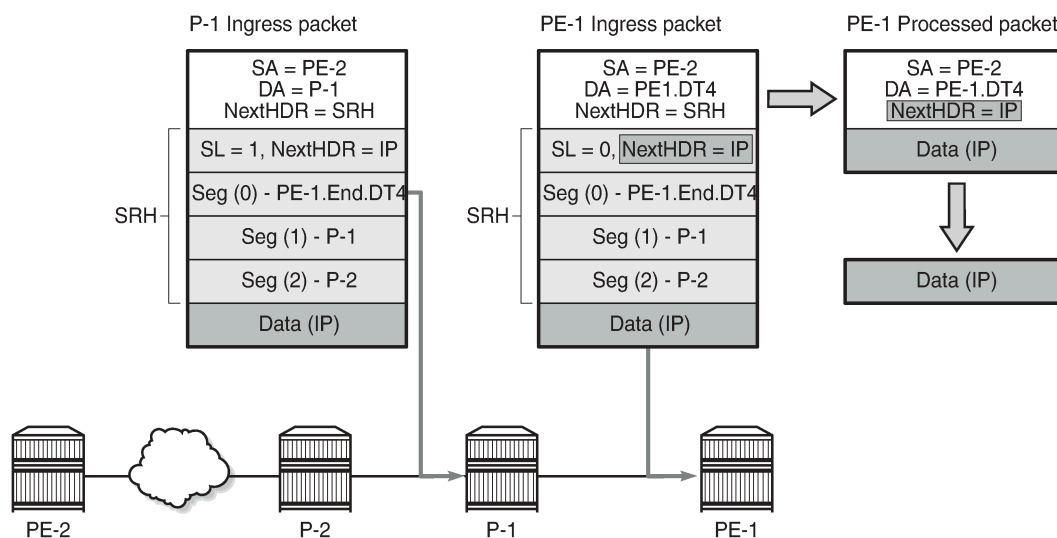
SR OS supports two SRH processing modes at the end of the SRv6 tunnel:

- Ultimate SRH Pop (USP), where the ultimate SR segment endpoint node processes and removes the SRH
- Penultimate SRH Pop (PSP), where the penultimate SR segment endpoint node processes and removes the SRH

USP mode

In the following example, source node PE-2 sends a packet to SR segment endpoint node PE-1 via intermediate hops P-2 and P-1. [Figure 42: USP mode - egress router PE-1 processes and removes SRH](#) shows how penultimate SR segment endpoint node P-1 and ultimate SR segment endpoint node PE-1 process the SRH in the packet.

Figure 42: USP mode - egress router PE-1 processes and removes SRH



37201

Source node PE-2 sends a packet with SRH with three segments in the segment list: Seg(2) for P-2, Seg(1) for P-1, and Seg(0) for destination PE-1. P-1, P-2, and PE-1 are SR segment endpoint nodes. Penultimate SR segment endpoint node P-1 decrements the value in the SL field in the SRH from 1 to 0 and copies the PE-1 SID from segment 0 into the IPv6 header DA. Ultimate SR segment endpoint node PE-1 receives the packet with the DA equal to PE-1.End.DT4 and SL 0 and processes the packet by:

- updating the Next Header field in the IPv6 header with the Next Header field of the SRH
- removing the SRH from the IPv6 extension header chain
- processing the next header in the packet, which is achieved using the origination FPE data path



Note:

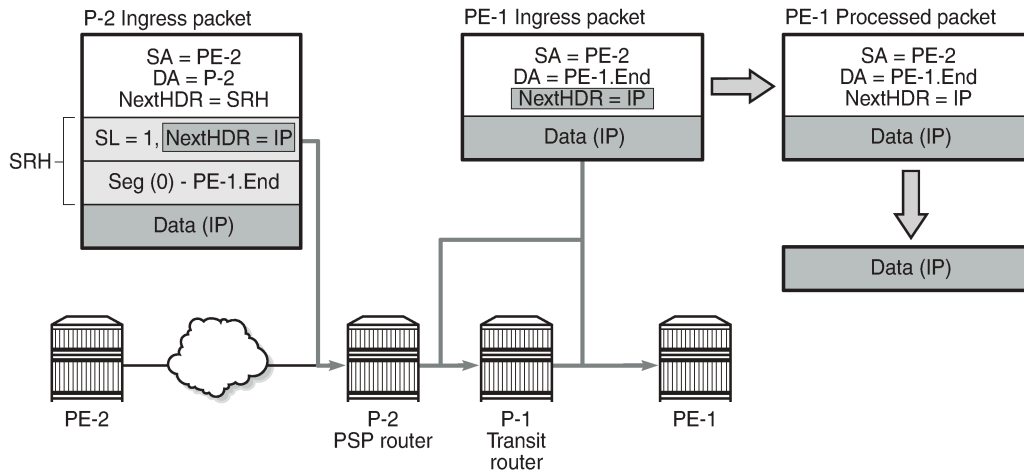
In this example, the IPv6 SID at segment (0) "PE-1.End.DT4" contains a function indicating to the destination node that a VPRN table lookup is required.

PSP mode

As stated in RFC 8986, a penultimate SR segment endpoint node is one that, as part of the SID processing, copies the last SID from the SRH into the IPv6 DA and decrements the SL value from one to zero.

Figure 43: Penultimate SRH hop P-2 processes and removes the SRH shows how penultimate SR segment endpoint node P-2 processes the packet toward PE-1. P-1 is an SR transit node in this example, so it does not process an SRH.

Figure 43: Penultimate SRH hop P-2 processes and removes the SRH



37202

The PSP operation is controlled by the SR source node. SR source node PE-2 is aware that the PE-1.End SID has SRH mode PSP. PE-2 sends a packet to PE-1 with the DA set to P-2 in the IPv6 header. The SRH contains one SID in the segment list: Seg(0) PE-1.End. The SL is set to 1.

Penultimate SR segment endpoint node P-2 processes the packet by:

- decrementing the IPv6 hop limit by 1
- decrementing the SL by 1, so SL = 0
- updating the IPv6 DA with the PE-1.End node SID from the segment list
- updating the Next Header field in the IPv6 header to the Next Header field of the SRH
- removing the SRH from the IPv6 extension header chain
- submitting the packet to the MPLS engine for transmission

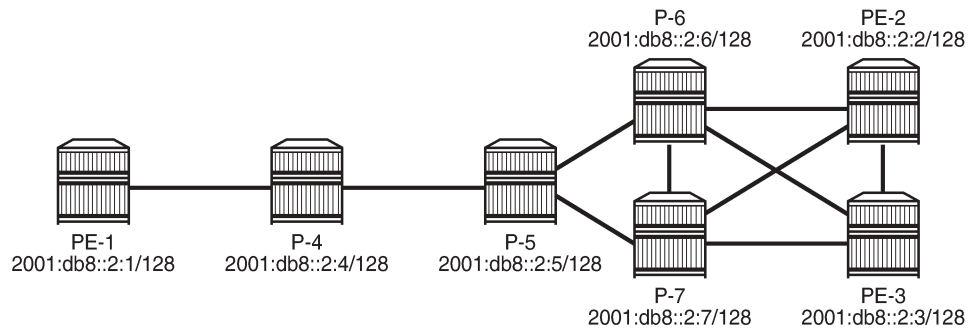
At transit node P-1, the packet is forwarded based on the RTM lookup for IPv6 DA in the IPv6 header.

At the destination node PE-1, the IPv6 header is removed and additional processing of the next header in the packet is done via an origination FPE data path.

Configuration

Figure 44: Example topology shows the example topology with seven SRv6-capable routers (with FP4).

Figure 44: Example topology



37203

PXC

SRv6 traffic is steered from input to a PXC port, where it is internally looped for additional processing. PXC can use either an internally looped physical port or an internal loopback in the FP4 MAC chip.

In case of an internally looped physical port, configure PXC on the physical port, as shown in the following example for PXC 5 on physical port 1/1/c5/1:

```
# on all SRv6-capable nodes:
configure
  port-xc
    pxc 5 create
      port 1/1/c5/1
      no shutdown
    exit
  exit
  port pxc-5.a
    no shutdown
  exit
  port pxc-5.b
    no shutdown
  exit
  port 1/1/c5/1
    no shutdown
  exit
exit
```

In case of internal loopbacks in the FP4 MAC chip, map PXC 1 and PXC 2 to internal loopbacks. It is possible to map PXC 1 and PXC 2 to the same loopback on the same MAC chip, but that is not configured here.

```
# on all SRv6-capable nodes:
configure
  card 1
    mda 1
```

```

xconnect
  mac 1 create
  loopback 1 create
  exit
  loopback 2 create
  exit
  exit
  exit
  no shutdown
  exit
exit
port-xc
  pxc 1 create
  port 1/1/m1/1
  no shutdown
  exit
  pxc 2 create
  port 1/1/m1/2      # or loopback 1/1/m1/1 (same as PXC 1)
  no shutdown
  exit
exit
port pxc-1.a
  no shutdown
  exit
port pxc-1.b
  no shutdown
  exit
port pxc-2.a
  no shutdown
  exit
port pxc-2.b
  no shutdown
  exit
port 1/1/m1/1
  no shutdown
  exit
port 1/1/m1/2
  no shutdown
  exit
exit

```

There are several MAC chips per FP4-complex (hardware dependent). The operator configures the location of the loopback. The PXC loopback must be referenced as a port ID to enable loopback. The following **show datapath** command includes the internal loopbacks 1/1/m1/1 and 1/1/m1/2:

```
*A:PE-2# show datapath 1 detail
```

```

=====
Card   [XIO/M]MDA  FP  TAP  MAC Chip Num  Connector  Port
-----
1      1           1  1    1             c1         1/1/c1/1
1      1           1  1    1             c1         1/1/c1/2
1      1           1  1    1             c1         1/1/c1/3
1      1           1  1    1             c1         1/1/c1/4
---snip---
1      1           2  1    6             c36        1/1/c36/1
1      1           2  1    6             c36        1/1/c36/2
1      1           2  1    6             c36        1/1/c36/3
1      1           2  1    6             c36        1/1/c36/4
1      1           1  1    1             N/A        1/1/m1/1
1      1           1  1    1             N/A        1/1/m1/2

```

In this example, PXC loopbacks are configured on MDA 1/1, which has two MAC chips with MAC chip numbers m1 and m2. The two internal loopbacks are configured on MAC chip number m1.



Note:

Nokia recommends selecting cards and MAC chips connected to faceplate ports with lower bandwidth utilization for internal PXCs.

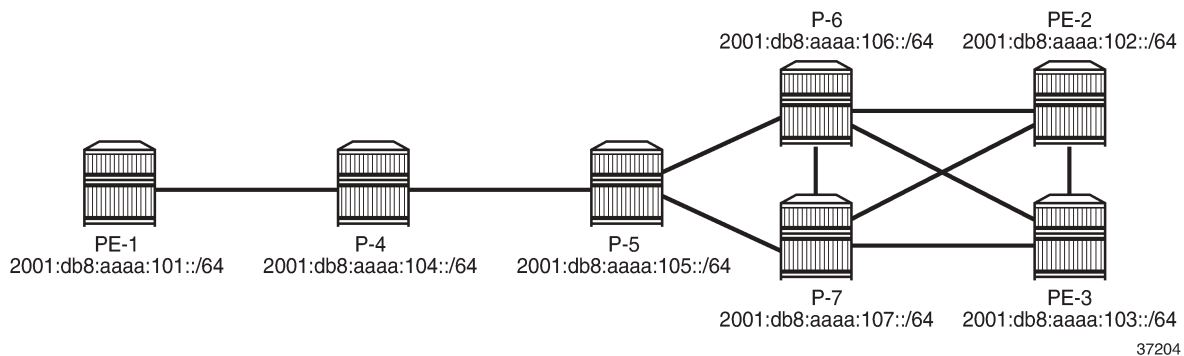
In this example, all nodes can act as SR segment endpoint nodes; there are no SR transit nodes. Perform the following steps to enable SRv6 on the nodes:

1. Allocate an address block B for all routers in a domain; for example, 2001:db8:aaaa::/48.
2. Allocate a unique node address N for each router; for example, 0101 for PE-1.
3. Configure a locator for each router in the format B:N:: and set the prefix length of the locator; for example, /64.
4. Add FPE to configure the data path.
5. Configure the End function (the SRv6 equivalent for node SID) for each router locator.
6. Configure the End.X functions (the SRv6 equivalent for adjacency SIDs) for each router associated with locator.
7. Advertise the locator in IS-IS level 1 or 2, as required.

Locator B:N::

Figure 45: SRv6 router locator prefixes shows the router locator prefixes for the seven nodes in the sample topology.

Figure 45: SRv6 router locator prefixes



Configure the SRv6 address block B and the locator prefix on the nodes. The following example shows SRv6 address block B 2001:db8:aaaa::/48 and locator prefix 2001:db8:aaaa:101::/64 in the dedicated **segment-routing-v6** context on PE-1:

```
# on PE-1:
configure
  router Base
    segment-routing
      segment-routing-v6
```

```
locator "PE-1_loc"
  block-length 48
  prefix
    ip-prefix 2001:db8:aaaa:101::/64
  exit
  no shutdown
exit
```

The configuration on the other nodes is similar with the locator prefixes as shown in [Figure 45: SRv6 router locator prefixes](#).

FPE

SRv6 packet processing requires an ingress (termination) FPE and an egress (origination) FPE. FPE 1 is configured as **srv6 origination**; FPE 2 as **srv6 termination**. FPE 1 is configured as **origination-fpe** in the global **segment-routing-v6** context; FPE 2 is configured as **termination-fpe** in the **locator** context. On PE-1, the configuration is as follows:

```
# on PE-1:
configure
  fwd-path-ext
    fpe 1 create
      path pxc 1
      srv6 origination
      interface-a
      exit
      interface-b
      exit
    exit
  exit
  fpe 2 create
    path pxc 2
    srv6 termination
    interface-a
    exit
    interface-b
    exit
  exit
exit
router Base
  segment-routing
    segment-routing-v6
      origination-fpe 1
      source-address 2001:db8::2:1
      locator "PE-1_loc"
        block-length 48
        termination-fpe 2
        prefix
          ip-prefix 2001:db8:aaaa:101::/64
        exit
        no shutdown
      exit
    exit
  exit
```

The configuration on the other nodes is similar.

The following command for FPE 1 shows that SRv6 is enabled and operationally up and the SRv6 type is origination:

```
*A:PE-1# show fwd-path-ext fpe 1

=====
FPE Id: 1
=====
Description      : (Not Specified)
Multi-Path       : Disabled
Path             : pxc 1
Pw Port          : Disabled          Oper    : down
Sub Mgmt Extension : Disabled          Oper    : N/A
Vxlan Termination : Disabled          Oper    : down
Segment-Routing V6 : Enabled          Oper   : up
SRv6 Type         : origination
If-A Qos Policy  : default
If-B MTU         : 9786 bytes          Oper MTU : 1556 bytes
If-B Qos Policy  : default
=====
```

The following command for FPE 2 shows that SRv6 is enabled and operationally up and the SRv6 type is termination:

```
*A:PE-1# show fwd-path-ext fpe 2

=====
FPE Id: 2
=====
Description      : (Not Specified)
Multi-Path       : Disabled
Path             : pxc 2
Pw Port          : Disabled          Oper    : down
Sub Mgmt Extension : Disabled          Oper    : N/A
Vxlan Termination : Disabled          Oper    : down
Segment-Routing V6 : Enabled          Oper   : up
SRv6 Type         : termination
If-A Qos Policy  : default
If-B MTU         : 0 bytes             Oper MTU : 1556 bytes
If-B Qos Policy  : default
=====
```

The following command on PE-1 shows the associations for FPE 1. FPE 1 is an origination FPE, so it is not associated with a locator.

```
*A:PE-1# show fwd-path-ext associations fpe 1

=====
Segment-routing V6 associations
=====
Srv6
-----
Origination-fpe
=====

=====
Segment-routing V6 Locator associations
=====
Locator
-----
=====
```

The following command on PE-1 shows the associations for FPE 2. FPE 2 is a termination FPE associated with locator "PE-1_loc".

```
*A:PE-1# show fwd-path-ext associations fpe 2

=====
Segment-routing V6 associations
=====
Srv6
-----
=====

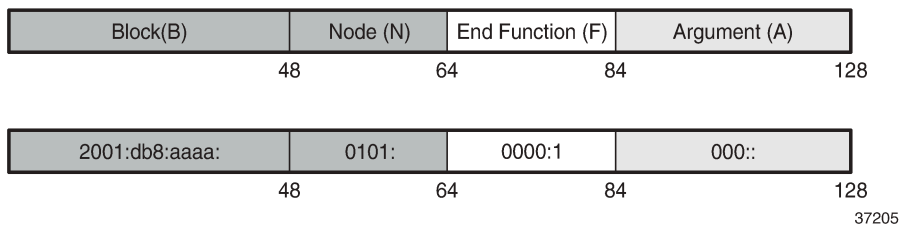
=====
Segment-routing V6 Locator associations
=====
Locator
-----
PE-1_loc
=====
```

Functions

End function

The SRv6 End function is configured in the SRv6 End SID that is the equivalent for IPv4 node SIDs. [Figure 46: SRv6 End SID on PE-1](#) shows an example with End function value 1 on PE-1:

Figure 46: SRv6 End SID on PE-1



The SRv6 End function is statically configured in the **segment-routing-v6>base-routing-instance>locator** context, as follows:

```
# on PE-1:
configure
router Base
  segment-routing
    segment-routing-v6
      locator "PE-1_loc"
        block-length 48
        function-length 20          # default
    exit
  base-routing-instance
    locator "PE-1_loc"
      function
        end 1                      # function value = 1
      srh-mode usp
```

```

        exit
    exit
exit

```

The configuration on the other nodes is similar.

By default, the **function-length** is 20. The value **function end 1** defines a function value of 1 inserted into the 20-bit function field. The **srh-mode** determines whether USP or PSP mode is used to process and remove the SRH. The default SRH mode is PSP.

A node can have one or two End functions. If both PSP and USP modes are used, a unique End function can be configured for each SRH mode. This requires the increase of the number static functions allowed, because the default value is 1; **static-function max-entries** is configured for this purpose. As an example, this is configured on PE-1 only:

```

# on PE-1:
configure
router Base
  segment-routing
  segment-routing-v6
  locator "PE-1_loc"
  static-function
  max-entries 2          # 2 static functions (end 1, end 2)
  exit
exit
base-routing-instance
  locator "PE-1_loc"
  function
  end 1                  # End function value = 1
  srh-mode usp          # Ultimate SRH Pop
  exit
  end 2                  # End function value = 2
  srh-mode psp          # Penultimate SRH Pop (default)
  exit
exit
exit
exit

```

The following command shows the End SID values for the locators in the base routing instance on PE-1:

```

*A:PE-1# show router segment-routing-v6 local-sid end
=====
Segment Routing v6 Local SIDs
=====
SID                               Type      Function
Locator
Context
-----
2001:db8:aaaa:101:0:1000::        End       1
PE-1_loc
Base
2001:db8:aaaa:101:0:2000::        End       2
PE-1_loc
Base
-----
SIDs : 2
=====

```

The following command on PE-1 shows the End SIDs plus SRH mode for the locators in the base routing instance:

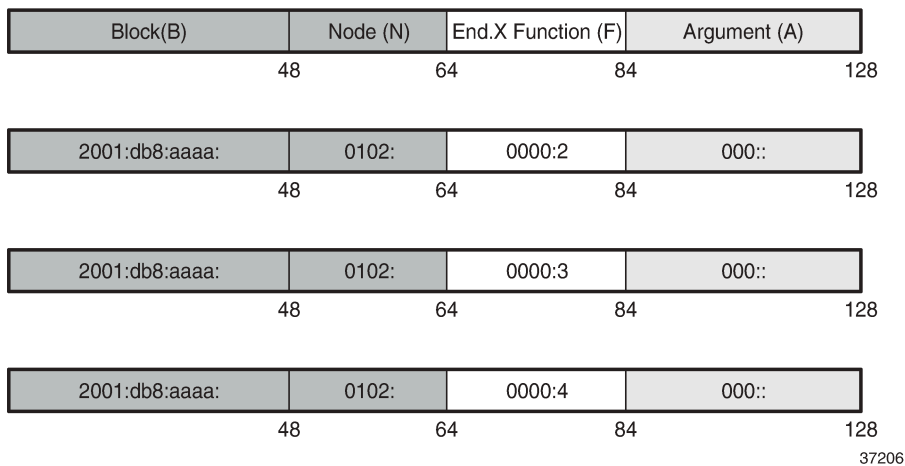
```
*A:PE-1# show router segment-routing-v6 base-routing-instance end

=====
Segment Routing v6 Base Routing Instance
=====
Locator
Type      Function  SID                               Status/InstId
SRH-mode  Protection Interface
-----
PE-1_loc
End                               1 2001:db8:aaaa:101:0:1000::      ok
USP
End                               2 2001:db8:aaaa:101:0:2000::      ok
PSP
-----
Auto-allocated End.X:
-----
Legend: * - System allocated
```

End.X function

The SRv6 End.X SID is the equivalent to IPv4 adjacency SIDs. [Figure 47: SRv6 End.X SIDs on PE-2](#) shows an example with End.X function values 2, 3, and 4 on PE-2:

Figure 47: SRv6 End.X SIDs on PE-2



End.X function SIDs can be allocated dynamically or configured as static SIDs.

For dynamically-allocated End.X function SIDs, the configuration is as follows:

```
# on PE-2:
configure
router Base
segment-routing
segment-routing-v6
```



```

        base-routing-instance
            locator "PE-2_loc"
            function
                end-x-auto-allocate srh-mode usp protection protected
            exit
        exit
    exit
exit
isis 0
    advertise-router-capability area
    level 2
        wide-metrics-only
    exit
    segment-routing-v6
        locator "PE-2_loc"
        level-capability level-2
        level 1
            no metric
        exit
        level 2
            metric 10
        exit
    exit
    no shutdown
exit
---snip---
```

PE-2 has three neighbors, so three End.X functions are automatically allocated. Each End.X SID is associated with a locator. In this example, the number of static functions is 1 and the automatically allocated End.X functions get values 2, 3, and 4. The PSP and USP protection modes specify whether the link is eligible for xLFA protection.



Note:

If TI-LFA is enabled, the protection mode must be set to Protected for the IGP to generate an End.X SID.

The following commands on PE-2 shows all local SIDs, including the End SID as well as End.X SIDs.

```

*A:PE-2# show router segment-routing-v6 local-sid

=====
Segment Routing v6 Local SIDs
=====
SID                               Type      Function
Locator                            Context
-----
2001:db8:aaaa:102:0:1000::        End        1
  PE-2_loc
  Base
2001:db8:aaaa:102:0:2000::        End.X      2
  PE-2_loc
  None
2001:db8:aaaa:102:0:3000::        End.X      3
  PE-2_loc
  None
2001:db8:aaaa:102:0:4000::        End.X      4
  PE-2_loc
  None
-----
SIDs : 4
```

```

=====
-----
*A:PE-2# show router segment-routing-v6 base-routing-instance
=====
Segment Routing v6 Base Routing Instance
=====
Locator
  Type      Function      SID                      Status/InstId
  SRH-mode Protection Interface
-----
PE-2_loc
  End              1 2001:db8:aaaa:102:0:1000::      ok
  USP
-----
Auto-allocated End.X: USP Protected,
-----
  End.X          *2 2001:db8:aaaa:102:0:2000::      0
  USP            Protected int-PE-2-PE-3
  ISIS Level: L2 Mac Address: 02:18:01:01:00:0b Nbr Sys Id: 1920.0000.2003
  End.X          *3 2001:db8:aaaa:102:0:3000::      0
  USP            Protected int-PE-2-P-6
  ISIS Level: L2 Mac Address: 02:24:01:01:00:01 Nbr Sys Id: 1920.0000.2006
  End.X          *4 2001:db8:aaaa:102:0:4000::      0
  USP            Protected int-PE-2-P-7
  ISIS Level: L2 Mac Address: 02:28:01:01:00:15 Nbr Sys Id: 1920.0000.2007
-----
Legend: * - System allocated
=====

```

The End.X function can be created as a static SID, persistent through a reboot or link flap. The maximum number of static functions must be increased because additional static entries are required: one for each neighbor of PE-3, as follows:

```

# on PE-3:
configure
  router Base
    segment-routing
      segment-routing-v6
        locator "PE-3_loc"
          static-function
            max-entries 4          # 1 End function + 3 End.X functions
          exit
        exit
      base-routing-instance
        locator "PE-3_loc"
          function
            end-x 2
              srh-mode usp
              protection protected # default setting
              interface "int-PE-3-PE-2"
            exit
            end-x 3
              srh-mode usp
              protection protected # default setting
              interface "int-PE-3-P-6"
            exit
            end-x 4
              srh-mode usp
              protection protected # default setting
              interface "int-PE-3-P-7"

```

```

                exit
            exit
        exit
    exit

```

The following commands show the configured End.X SIDs on PE-3:

```

*A:PE-3# show router segment-routing-v6 local-sid end-x
=====
Segment Routing v6 Local SIDs
=====
SID                               Type      Function
Locator                           |          |
Context                             |          |
-----|-----|-----
2001:db8:aaaa:103:0:2000::        End.X     2
PE-3_loc                           |          |
Base                               |          |
2001:db8:aaaa:103:0:3000::        End.X     3
PE-3_loc                           |          |
Base                               |          |
2001:db8:aaaa:103:0:4000::        End.X     4
PE-3_loc                           |          |
Base                               |          |
-----|-----|-----
SIDs : 3
=====

```

```

*A:PE-3# show router segment-routing-v6 base-routing-instance end-x
=====
Segment Routing v6 Base Routing Instance
=====
Locator                            |          |          |          |
Type                               | Function | SID      |          |
SRH-mode Protection Interface      |          |          |          |
-----|-----|-----|-----|
PE-3_loc                            |          |          |          |
End.X                               |          | 2 2001:db8:aaaa:103:0:2000:: |          |
USP                                 | Protected | int-PE-3-PE-2                 |          |
End.X                               |          | 3 2001:db8:aaaa:103:0:3000:: |          |
USP                                 | Protected | int-PE-3-P-6                   |          |
End.X                               |          | 4 2001:db8:aaaa:103:0:4000:: |          |
USP                                 | Protected | int-PE-3-P-7                   |          |
-----|-----|-----|-----|
Auto-allocated End.X:
-----|-----|-----|-----|
=====

```

SRv6 configuration summary example

The following summarizes the SRv6 configuration on PE-2:

```

# on PE-2:
configure
card 1

```

```

card-type xcm-2s
mda 1
  mda-type s36-100gb-qsfp28
  xconnect
    mac 1 create
      loopback 1 create          # create internal MAC-chip loopback
      exit
      loopback 2 create
      exit
    exit
  exit
  no shutdown
exit
no shutdown
exit
port-xc
  pxc 1 create
    port 1/1/m1/1                # enable internal loopback port
    no shutdown
  exit
  pxc 2 create
    port 1/1/m1/2                # enable internal loopback port
    no shutdown
  exit
exit
port 1/1/m1/1
  no shutdown
exit
port 1/1/m1/2
  no shutdown
exit
port pxc-1.a
  ethernet
  exit
  no shutdown
exit
port pxc-1.b
  ethernet
  exit
  no shutdown
exit
port pxc-2.a
  ethernet
  exit
  no shutdown
exit
port pxc-2.b
  ethernet
  exit
  no shutdown
exit
fwd-path-ext
  fpe 1 create                    # map FPE 1 to PXC 1
    path pxc 1
    srv6 origination
      interface-a
      exit
      interface-b
      exit
    exit
  exit
  fpe 2 create                    # map FPE 2 to PXC 2
    path pxc 2
    srv6 termination

```

```

        interface-a
        exit
        interface-b
        exit
    exit
exit
router Base
    segment-routing
    segment-routing-v6
    origination-fpe 1
    source-address 2001:db8::2:2
    locator "PE-2_loc"
        block-length 48
        termination-fpe 2
        prefix
            ip-prefix 2001:db8:aaaa:102::/64
        exit
        static-function
        exit
        no shutdown
    exit
    base-routing-instance
        locator "PE-2_loc"
            function
                end-x-auto-allocate srh-mode usp protection protected
            end 1
                srh-mode usp
            exit
        exit
    exit
exit
isis 0
    router-id 192.0.2.2
    level-capability level-2
    area-id 49.0001
    traffic-engineering
    traffic-engineering-options
        ipv6
        application-link-attributes
        exit
    exit
    advertise-passive-only
    advertise-router-capability area
    loopfree-alternates
        remote-lfa
        exit
        ti-lfa
        exit
    exit
    ipv6-routing native
    level 2
        wide-metrics-only
    exit
    segment-routing-v6
        locator "PE-2_loc"
            level-capability level-2
            level 1
            exit
            level 2
                metric 10
            exit

```

```

        exit
        no shutdown
    exit
    ---snip---

```

Route table and tunnel table support

Each SRv6-enabled router advertises a locator prefix. Each router in the SRv6 domain installs resolved locator prefixes from received SRv6 locator TLVs. The following shows the SRv6 locator TLV on PE-2:

```

*A:PE-2# show router isis database PE-2 detail | match "SRv6 Locator" post-lines 6
SRv6 Locator :
  MT ID : 0
  Metric: ( ) 10 Algo:0
  Prefix  : 2001:db8:aaaa:102::/64
  Sub TLV  :
    End-SID : 2001:db8:aaaa:102:0:1000::, flags:0x0, endpoint:End-USP

```

All SRv6 locators are populated in an IPv6 tunnel table and are programmed into an IPv6 FIB, so they can be displayed in the IPv6 route table. In SR OS Release 21.10 and later, a tunnel table entry is created for remote locator prefixes that have two or more ECMP next hops. A tunnel table entry is also created for remote locator prefixes with a primary and backup LFA next hop. If the remote locator prefix has no alternative path (ECMP or LFA), no tunnel table entry is created.

The IPv6 tunnel table is populated by the SR module after receipt of:

- an End or End.X SID from IS-IS
- an End.DT4 or End.DT6 SID from BGP

The following command shows the SRv6 tunnels on PE-2:

```

*A:PE-2# show router tunnel-table ipv6
=====
IPv6 Tunnel Table (Router: Base)
=====
Destination                               Owner      Encap TunnelId  Pref
Nexthop                                   Color      Metric
-----
2001:db8:aaaa:101::/64 [L]                srv6-isis SRV6  524292    0
  fe80::23:ffff:fe00:0-"int-PE-2-P-6"      50
2001:db8:aaaa:102:0:2000::/128 [L]         srv6-isis SRV6  524289    0
  fe80::17:ffff:fe00:0-"int-PE-2-PE-3"     10
2001:db8:aaaa:102:0:3000::/128 [L]         srv6-isis SRV6  524290    0
  fe80::23:ffff:fe00:0-"int-PE-2-P-6"      10
2001:db8:aaaa:102:0:4000::/128 [L]         srv6-isis SRV6  524291    0
  fe80::27:ffff:fe00:0-"int-PE-2-P-7"      10
2001:db8:aaaa:103::/64 [L]                srv6-isis SRV6  524293    0
  fe80::17:ffff:fe00:0-"int-PE-2-PE-3"     20
2001:db8:aaaa:104::/64 [L]                srv6-isis SRV6  524294    0
  fe80::23:ffff:fe00:0-"int-PE-2-P-6"      40
2001:db8:aaaa:105::/64 [L]                srv6-isis SRV6  524295    0
  fe80::23:ffff:fe00:0-"int-PE-2-P-6"      30
2001:db8:aaaa:106::/64 [L]                srv6-isis SRV6  524296    0
  fe80::23:ffff:fe00:0-"int-PE-2-P-6"      20
2001:db8:aaaa:107::/64 [L]                srv6-isis SRV6  524297    0
  fe80::27:ffff:fe00:0-"int-PE-2-P-7"      20
-----
Flags: B = BGP or MPLS backup hop available

```

L = Loop-Free Alternate (LFA) hop available
E = Inactive best-external BGP route
k = RIB-API or Forwarding Policy backup hop

The following shows the IPv6 FP-tunnel table on PE-2. For locator prefix 2001:db8:aaaa:101::/64, tunnel ID 524292 has primary next hop fe80::23:ffff:fe00:0-"int-PE-2-P-6" and backup next hop fe80::27:ffff:fe00:0-"int-PE-2-P-7".

```
*A:PE-2# show router fp-tunnel-table 1 ipv6
```

```
=====  
IPv6 Tunnel Table Display
```

```
Legend:  
label stack is ordered from bottom-most to top-most  
B - FRR Backup
```

```
=====  
Destination                                Protocol    Tunnel-ID  
Lbl/SID                                    Intf/Tunnel  
NextHop  
Lbl/SID (backup)                           (backup)  
NextHop (backup)  
-----  
2001:db8:aaaa:101::/64                    SRV6       524292  
-  
  fe80::23:ffff:fe00:0-"int-PE-2-P-6"    1/1/c2/1:1000  
-  
  fe80::27:ffff:fe00:0-"int-PE-2-P-7" (B) 1/1/c3/1:1000  
2001:db8:aaaa:103::/64                    SRV6       524293  
-  
  fe80::17:ffff:fe00:0-"int-PE-2-PE-3"    1/1/c1/1:1000  
-  
  fe80::23:ffff:fe00:0-"int-PE-2-P-6" (B) 1/1/c2/1:1000  
2001:db8:aaaa:104::/64                    SRV6       524294  
-  
  fe80::23:ffff:fe00:0-"int-PE-2-P-6"    1/1/c2/1:1000  
-  
  fe80::27:ffff:fe00:0-"int-PE-2-P-7" (B) 1/1/c3/1:1000  
2001:db8:aaaa:105::/64                    SRV6       524295  
-  
  fe80::23:ffff:fe00:0-"int-PE-2-P-6"    1/1/c2/1:1000  
-  
  fe80::27:ffff:fe00:0-"int-PE-2-P-7" (B) 1/1/c3/1:1000  
2001:db8:aaaa:106::/64                    SRV6       524296  
-  
  fe80::23:ffff:fe00:0-"int-PE-2-P-6"    1/1/c2/1:1000  
-  
  fe80::17:ffff:fe00:0-"int-PE-2-PE-3" (B) 1/1/c1/1:1000  
2001:db8:aaaa:107::/64                    SRV6       524297  
-  
  fe80::27:ffff:fe00:0-"int-PE-2-P-7"    1/1/c3/1:1000  
-  
  fe80::17:ffff:fe00:0-"int-PE-2-PE-3" (B) 1/1/c1/1:1000  
2001:db8:aaaa:102:0:2000::/128           SRV6       524289  
-  
  fe80::17:ffff:fe00:0-"int-PE-2-PE-3"    1/1/c1/1:1000  
2001:db8:aaaa:103:0:1000::                SRV6       524290  
-  
  fe80::23:ffff:fe00:0-"int-PE-2-P-6" (B) 1/1/c2/1:1000  
2001:db8:aaaa:102:0:3000::/128           SRV6       524290  
-  
  fe80::23:ffff:fe00:0-"int-PE-2-P-6"    1/1/c2/1:1000  
2001:db8:aaaa:106:0:1000::
```

```

    fe80::17:ffff:fe00:0-"int-PE-2-PE-3"(B)          1/1/c1/1:1000
2001:db8:aaaa:102:0:4000::/128                    SRV6          524291
-
    fe80::27:ffff:fe00:0-"int-PE-2-P-7"           1/1/c3/1:1000
2001:db8:aaaa:107:0:1000::
    fe80::17:ffff:fe00:0-"int-PE-2-PE-3"(B)          1/1/c1/1:1000
-----
Total Entries : 9
-----
=====

```

The IPv6 route table on PE-2 contains the following prefixes with shared block 2001:db8:aaaa::/48.

```

*A:PE-2# show router route-table ipv6 2001:db8:aaaa::/48 longer

=====
IPv6 Route Table (Router: Base)
=====
Dest Prefix[Flags]                               Type  Proto  Age           Pref
  Next Hop[Interface Name]                       Metric
-----
2001:db8:aaaa:101::/64                           Remote ISIS   00h06m17s  18
    2001:db8:aaaa:101::/64 (tunneled:SRV6-ISIS)    50
2001:db8:aaaa:102::/64                           Local  SRV6    00h41m51s   3
    fe80::201-"_tmnx_fpe_2.a"                      0
2001:db8:aaaa:102:0:1000::/128                   Local  SRV6    00h39m33s   3
    Black Hole                                       0
2001:db8:aaaa:102:0:2000::/128                   Local  ISIS    00h06m18s  18
    2001:db8:aaaa:102:0:2000:: (tunneled:SRV6-ISIS) 10
2001:db8:aaaa:102:0:3000::/128                   Local  ISIS    00h06m18s  18
    2001:db8:aaaa:102:0:3000:: (tunneled:SRV6-ISIS) 10
2001:db8:aaaa:102:0:4000::/128                   Local  ISIS    00h06m18s  18
    2001:db8:aaaa:102:0:4000:: (tunneled:SRV6-ISIS) 10
2001:db8:aaaa:103::/64                           Remote ISIS   00h06m09s  18
    2001:db8:aaaa:103::/64 (tunneled:SRV6-ISIS)    20
2001:db8:aaaa:104::/64                           Remote ISIS   00h06m02s  18
    2001:db8:aaaa:104::/64 (tunneled:SRV6-ISIS)    40
2001:db8:aaaa:105::/64                           Remote ISIS   00h05m50s  18
    2001:db8:aaaa:105::/64 (tunneled:SRV6-ISIS)    30
2001:db8:aaaa:106::/64                           Remote ISIS   00h05m45s  18
    2001:db8:aaaa:106::/64 (tunneled:SRV6-ISIS)    20
2001:db8:aaaa:107::/64                           Remote ISIS   00h05m38s  18
    2001:db8:aaaa:107::/64 (tunneled:SRV6-ISIS)    20
-----
No. of Routes: 11
Flags: n = Number of times nexthop is repeated
       B = BGP backup route available
       L = LFA nexthop available
       S = Sticky ECMP requested
=====

```

The following command on PE-2 shows the corresponding FIB:

```

*A:PE-2# show router fib 1 ipv6 2001:db8:aaaa::/48 longer

=====
FIB Display
=====
Prefix [Flags]                               Protocol
  NextHop
-----
2001:db8:aaaa:101::/64                       ISIS
    2001:db8:aaaa:101::/64 (Transport:SRV6:524292)

```



```
2001:db8:aaaa:102::/64 SRV6
  fe80::201 (_tmnx_fpe_2.a)
2001:db8:aaaa:102:0:1000::/128 SRV6
  Blackhole
2001:db8:aaaa:102:0:2000::/128 ISIS
  2001:db8:aaaa:102:0:2000:: (Transport:SRV6:524289)
2001:db8:aaaa:102:0:3000::/128 ISIS
  2001:db8:aaaa:102:0:3000:: (Transport:SRV6:524290)
2001:db8:aaaa:102:0:4000::/128 ISIS
  2001:db8:aaaa:102:0:4000:: (Transport:SRV6:524291)
2001:db8:aaaa:103::/64 ISIS
  2001:db8:aaaa:103::/64 (Transport:SRV6:524293)
2001:db8:aaaa:104::/64 ISIS
  2001:db8:aaaa:104::/64 (Transport:SRV6:524294)
2001:db8:aaaa:105::/64 ISIS
  2001:db8:aaaa:105::/64 (Transport:SRV6:524295)
2001:db8:aaaa:106::/64 ISIS
  2001:db8:aaaa:106::/64 (Transport:SRV6:524296)
2001:db8:aaaa:107::/64 ISIS
  2001:db8:aaaa:107::/64 (Transport:SRV6:524297)
```

```
-----
Total Entries : 11
-----
=====
```

Conclusion

SRv6 offers both shortest path and source routing capabilities. SRv6 can be deployed as an IPv6 transport for implementing services across a service provider network.

Segment Routing over IPv6 for VPRN

This chapter provides information about segment routing over IPv6 for VPRN.

Topics in this chapter include:

- [Applicability](#)
- [Overview](#)
- [Configuration](#)
- [Conclusion](#)

Applicability

The information and configuration in this chapter are based on SR OS Release 22.2.R1. Segment routing over IPv6 (SRv6) is supported on FP4-based equipment in SR OS Release 21.5.R2 and later.

Overview

SRv6 for VPRN allows the transport of VPRN-related IPv4 and IPv6 data across an SRv6-enabled network. To this end, VPRN-related data is sent to an ingress SRv6 router, where it is encapsulated and forwarded via an SRv6 tunnel. The SRv6 tunnel transports the encapsulated data across the SRv6-enabled network to an egress SRv6 router, where it is decapsulated and forwarded further as VPRN-related data. SRv6-tunneled data is encapsulated using an IPv6 header, where the destination address is a unique SRv6 segment identifier (SID), and is processed and forwarded in the IPv6 data plane.

An SRv6 SID is a preconfigured 128-bit routable IPv6 prefix address that is encoded in three parts: a locator, a function, and an argument. The locator is a summary IPv6 prefix for a set of SRv6 SIDs instantiated on an SRv6-capable router. It is used to route the data within the IPv6 transport network. Each participating SRv6-capable router needs its unique locator, based on a common block that all participating SRv6-capable routers share in the IPv6 address space. The function is an opaque identifier that indicates the local behavior at the endpoint of an SRv6 segment. The focus in this topic is on the SRv6 End.DT4 and the SRv6 End.DT6 functions for the VPRN, performing a prefix lookup in the VPRN service IPv4 route table (End.DT4) or in the VPRN service IPv6 route table (End.DT6). The argument is not used in SR OS 22.2.R1 and is set to all zeros.

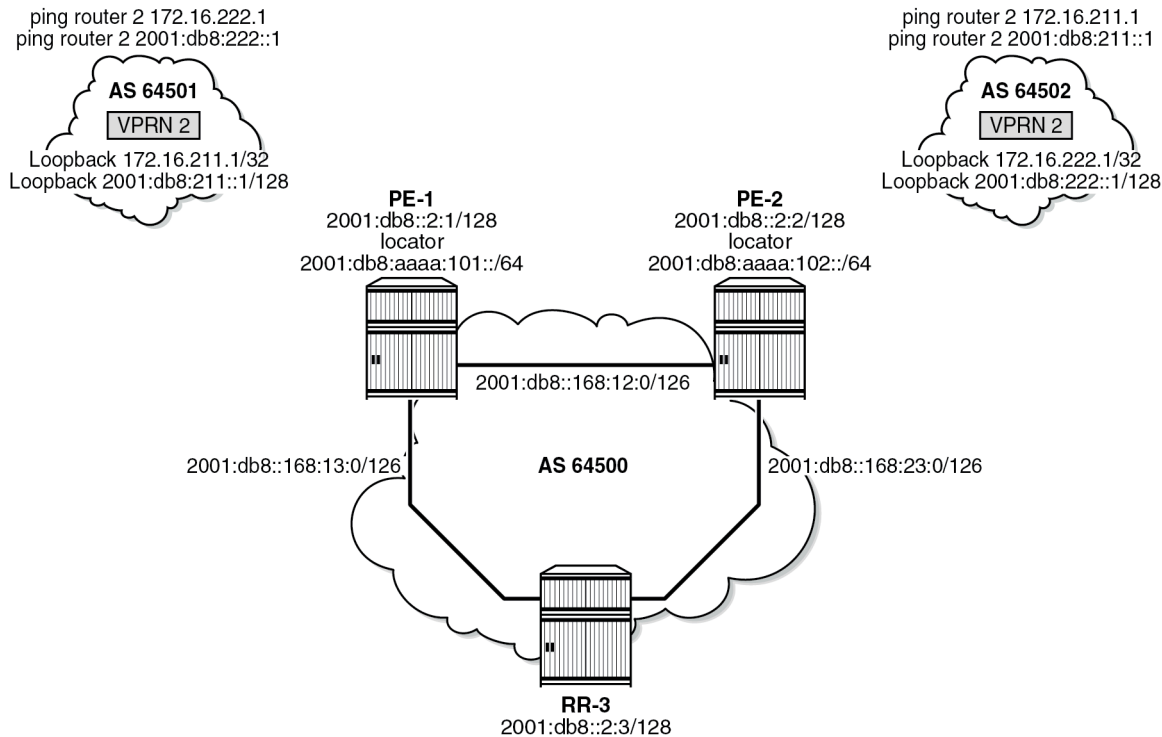
The local router installs its locator prefix in its IPv6 route table and forwarding information base (FIB), and advertises its locator prefix in IS-IS with the SRv6 locator sub-TLV. Each remote router populates its route table and FIB with the received locator prefixes, including the tunneled next hop to the originating router. Each remote router also populates its VPRN service route table with the received network prefixes, including the tunneled next hop to the VPRN of the originating router.

SRv6 data transport requires additional processing at both the ingress and egress data planes. This processing relies on forwarding path extension (FPE), as described in the [Segment Routing over IPv6](#) chapter.

Configuration

Figure 48: Example topology shows the example topology with three routers. The SRv6-enabled network that it represents comprises PE-1, PE-2, and a route reflector RR-3 in the control plane. The SRv6-enabled network has only IPv6 addresses and interfaces.

Figure 48: Example topology



37603

For the transport of IPv4 and IPv6 data from the VPRN on PE-1 to the VPRN on PE-2, PE-1 acts as the SRv6 ingress PE node, while PE-2 acts as the SRv6 egress PE node. For the transport of IPv4 and IPv6 data from the VPRN on PE-2 to the VPRN on PE-1, PE-2 acts as the SRv6 ingress PE node, while PE-1 acts as the SRv6 egress PE node. To explain SRv6 for VPRN, the topology does not need an SRv6 transit router, because SRv6 transit routers simply forward SRv6-encapsulated packets via IPv6 route table lookup without any other processing.

SRv6 and FPE are configured only on PE-1 and on PE-2. RR-3 acts as the BGP route reflector in the control plane. RR-3 does not participate in the SRv6 data transport that only exists between PE-1 and PE-2.

The **ping** and **traceroute** commands between IPv4 and IPv6 loopback addresses in the VPRNs simulate data transport.

The configuration for this example topology is symmetrical. All **configure** and **show** command output examples for PE-1 also apply to PE-2. The **configure** and **show** commands with deviating output examples for RR-3 are explicitly mentioned.

Configure the router

This configuration includes:

- ports and IPv6-only interfaces on PE-1, PE-2, and RR-3
- port cross-connect (PXC) on PE-1 and PE-2, using internal loopbacks on an FP4 MAC chip, as described in the Segment Routing over IPv6 chapter
- IS-IS
 - On PE-1, PE-2, and RR-3, include:
 - level 2 capability with wide metrics (for the 128-bit identifiers)
 - native IPv6 routing
 - On PE-1 and PE-2, as a best practice to advertise the router capability within the autonomous system (AS), also configure:
 - **traffic-engineering**
 - **traffic-engineering-options**
- BGP on PE-1, PE-2, and RR-3, with internal group “gr_v6_internal” that includes:
 - IPv4 and IPv6 families
 - **extended-nh-encoding** for IPv4
 - **advertise-ipv6-next-hops** for IPv4
 - BGP neighbor **system** IPv6 addresses
 - On PE-1 and PE-2 only: **next-hop-self**

The core network topology uses IPv6 for BGP peering (with 16 byte next hop addresses), so to advertise and receive IPv4 routes (which have 4 byte next hop addresses) with IPv6 next hop addresses, the commands **advertise-ipv6-next-hops** and **extended-nh-encoding** need to be configured at the BGP, group, or neighbor level. The **advertise-ipv6-next-hops** command instructs the system to advertise IPv4 routes with IPv6 next hop addresses. The **extended-nh-encoding** command configures BGP to advertise the capability to receive IPv4 routes with IPv6 next hop addresses.

The following example configuration applies for PE-1 and is similar for PE-2.

```
*A:PE-1# configure
router Base
  interface "int-PE-1-PE-2"
    description "interface between PE-1 and PE-2"
    port 1/1/c1/1:1000
    ipv6
      address 2001:db8::168:12:1/126
    exit
    no shutdown
  exit
  interface "int-PE-1-RR-3"
    description "interface between PE-1 and RR-3"
    port 1/1/c2/1:1000
    ipv6
      address 2001:db8::168:13:1/126
    exit
    no shutdown
  exit
  interface "system"
```

```

description "system interface of PE-1"
ipv6
  address 2001:db8::2:1/128
exit
no shutdown
exit
autonomous-system 64500
isis 0
  router-id 1.1.1.1
  level-capability level-2 # required for SRv6
  area-id 49.0001
  traffic-engineering
  traffic-engineering-options
    ipv6
    application-link-attributes
  exit
  advertise-router-capability as
  ipv6-routing native
  level 2
    wide-metrics-only # required for SRv6
  exit
  interface "system"
    passive
    no shutdown
  exit
  interface "int-PE-1-PE-2"
    interface-type point-to-point
    no shutdown
  exit
  interface "int-PE-1-RR-3"
    interface-type point-to-point
    no shutdown
  exit
  no shutdown
exit
bgp
  min-route-advertisement 1
  router-id 2.2.2.1
  rapid-withdrawal
  split-horizon
  group "gr_v6_internal"
    description "internal bgp group on PE-1"
    family ipv4 ipv6
    next-hop-self
    type internal
    extended-nh-encoding ipv4
    advertise-ipv6-next-hops ipv4
    neighbor 2001:db8::2:3 # RR-3 system address
  exit
  exit
  no shutdown
  exit
exit all

```

The following example configuration applies for RR-3:

```

*A:RR-3# configure
  router Base
    interface "int-RR-3-PE-1"
      description "interface between RR-3 and PE-1"
      ipv6
        address 2001:db8::168:13:2/126

```

```

    exit
    port 1/1/c1/1:1000
exit
interface "int-RR-3-PE-2"
    description "interface between RR-3 and PE-2"
    ipv6
        address 2001:db8::168:23:2/126
    exit
    port 1/1/c2/1:1000
exit
interface "system"
    description "system interface of RR-3"
    ipv6
        address 2001:db8::2:3/128
    exit
exit
autonomous-system 64500
isis 0
    router-id 1.1.1.3
    level-capability level-2    # required for SRv6
    area-id 49.0001
    ipv6-routing native
    level 2
        wide-metrics-only    # required for SRv6
    exit
    interface "system"
        passive
        no shutdown
    exit
    interface "int-RR-3-PE-1"
        interface-type point-to-point
        no shutdown
    exit
    interface "int-RR-3-PE-2"
        interface-type point-to-point
        no shutdown
    exit
    no shutdown
exit
bgp
    min-route-advertisement 1
    router-id 2.2.2.3
    rapid-withdrawal
    split-horizon
    group "gr_v6_internal"
        description "internal bgp group on RR-3"
        family ipv4 ipv6
        type internal
        cluster 3.3.3.3
        extended-nh-encoding ipv4
        advertise-ipv6-next-hops ipv4
        neighbor 2001:db8::2:1    # PE-1 system address
        exit
        neighbor 2001:db8::2:2    # PE-2 system address
        exit
    exit
    no shutdown
exit
exit all

```

Configure the VPRN services on PE-1 and on PE-2

This configuration includes:

- an IPv4 address and an IPv6 address for a loopback interface "lb_itf_vprn"
- BGP, with external group "gr_v6_vprn" that includes the following capabilities:
 - IPv4 and IPv6 families
 - **extended-nh-encoding** for IPv4
 - **advertise-ipv6-next-hops** for IPv4
 - BGP neighbor **interface** IPv6 addresses, with BGP neighbors in a different external AS

The following example configuration applies for VPRN 2 on PE-1 and is similar for VPRN 2 on PE-2.

```
*A:PE-1# configure service
  vprn 2 name "VPRN_2" customer 1 create
    description "VPRN 2 on PE-1"
    autonomous-system 64500
    interface "lb_itf_vprn" create
      address 172.16.211.1/32
      description "VPRN 2 interface on PE-1 for external subnet"
      ipv6
        address 2001:db8:211::1/128
      exit
    loopback
  exit
  bgp
    group "gr_v6_vprn"
      description "external bgp group for VPRN 2 on PE-1"
      family ipv4 ipv6
      extended-nh-encoding ipv4
      advertise-ipv6-next-hops ipv4
      neighbor 2001:db8:101::1
        type external
        peer-as 64501
      exit
    exit
  no shutdown
exit
no shutdown
exit all
```

At this point, verify that data transport is not possible between the local VPRN on PE-1 and the remote VPRN on PE-2.

```
*A:PE-1# ping router 2 172.16.222.1
PING 172.16.222.1 56 data bytes
No route to destination. Address: 172.16.222.1, Service: 2
---snip---
---- 172.16.222.1 PING Statistics ----
5 packets transmitted, 0 packets received, 100% packet loss

*A:PE-1# ping router 2 2001:db8:222::1
PING 2001:db8:222::1 56 data bytes
No route to destination. Address: 2001:db8:222::1, Service: 2
---snip---
---- 2001:db8:222::1 PING Statistics ----
5 packets transmitted, 0 packets received, 100% packet loss
```

The result of the verification complies with the route table for the local VPRN on PE-1 that only contains local routes for its own loopback addresses:

```
*A:PE-1# show router 2 route-table ipv4
=====
Route Table (Service: 2)
=====
Dest Prefix[Flags]                Type   Proto   Age      Pref
  Next Hop[Interface Name]        Active Metric
-----
172.16.211.1/32                   Local  Local   00h01m11s 0
  lb_itf_vprn                      Y
-----
No. of Routes: 1
---snip---
=====

*A:PE-1# show router 2 route-table ipv6
=====
IPv6 Route Table (Service: 2)
=====
Dest Prefix[Flags]                Type   Proto   Age      Pref
  Next Hop[Interface Name]        Active Metric
-----
2001:db8:211::1/128              Local  Local   00h01m10s 0
  lb_itf_vprn                      Y
-----
No. of Routes: 1
---snip---
=====
```

Perform the same verification for data transport between the remote VPRN on PE-2 and the local VPRN on PE-1.

Configure SRv6 in the router Base context on PE-1 and on PE-2

Configure the locator in the **router Base segment-routing segment-routing-v6** context on PE-2 and similar on PE-1, with **ip-prefix 2001:db8:aaaa:101::/64** for locator "PE-1_loc".

```
*A:PE-2# configure router Base segment-routing segment-routing-v6
      locator "PE-2_loc"
        block-length 48
        prefix
          ip-prefix 2001:db8:aaaa:102::/64
        exit
        no shutdown
      exit all
```

Configure the FPEs on PE-2 and identical on PE-1.

```
*A:PE-2# configure
      fwd-path-ext
        fpe 1 create
          path pxc 1
          srv6 origination
            interface-a
          exit
```



```

        interface-b
        exit
    exit
exit
fpe 2 create
    path pxc 2
    srv6 termination
        interface-a
        exit
        interface-b
        exit
    exit
exit
exit
exit all

```

Use FPE 1 as the SRv6 origination FPE in the **router Base segment-routing segment-routing-v6** context and FPE 2 as the SRv6 termination FPE in the **router Base segment-routing segment-routing-v6 locator** context on PE-2 and similar on PE-1, for locator “PE-1_loc”. For more information, see the [Segment Routing over IPv6](#) chapter.

```

*A:PE-2# configure router Base segment-routing
    segment-routing-v6
        origination-fpe 1
        locator "PE-2_loc"
            termination-fpe 2
            no shutdown
        exit
    exit all

```

Configure the SRv6 End function (equivalent to an IPv4 node SID) and SRv6 End.X functions (equivalent to IPv4 adjacency SIDs) in the **router Base segment-routing segment-routing-v6 base-routing-instance locator** context on PE-2 and similar on PE-1, for locator “PE-1_loc”.

```

*A:PE-2# configure router Base segment-routing
    segment-routing-v6
        locator "PE-2_loc"
            static-function
                max-entries 1
            exit
            no shutdown
        exit
    base-routing-instance
        locator "PE-2_loc"
            function
                end-x-auto-allocate srh-mode psp protection unprotected
                end 1
                srh-mode usp
            exit
        exit
    exit
exit
exit all

```

Advertise the locator in IS-IS while ensuring level 2 capability on PE-2 and similar on PE-1, for locator “PE-1_loc”.

```

*A:PE-2# configure router Base isis 0
    segment-routing-v6
        locator "PE-2_loc"
        level-capability level-2

```

```

        level 1
        exit
        level 2
        exit
    exit
    no shutdown
exit all

```

A summary of the locator and origination FPE configuration can be displayed with the **show router segment-routing-v6 summary** command.

Verify the SRv6 local SIDs on PE-2 and similar on PE-1. Three SRv6 local SIDs are created: one for the statically configured SRv6 End function (configured in the **router Base segment-routing segment-routing-v6 base-routing-instance locator** context) and two for the automatically allocated SRv6 End.X functions (one facing PE-1 and one facing RR-3). All three SRv6 local SIDs are concatenated with the locator. The statically configured SRv6 End function appears first with function number 1. In the example, the automatically allocated SRv6 End.X functions receive function numbers 2 and 3 respectively. RR-3 has no SRv6 configuration and does not have these SRv6 local SIDs and SRv6 functions.

```

*A:PE-2# show router segment-routing-v6 local-sid
=====
Segment Routing v6 Local SIDs
=====
SID                                     Type      Function
Locator
Context
-----
2001:db8:aaaa:102:0:1000::             End       1
  PE-2_loc
  Base
2001:db8:aaaa:102:0:2000::             End.X    2
  PE-2_loc
  None
2001:db8:aaaa:102:0:3000::             End.X    3
  PE-2_loc
  None
-----
SIDs : 3
=====

```

Verify the SRv6 base routing instance details on PE-2 and similar on PE-1. The SRv6 functions for the configured locator are listed. The SRv6 End function is statically configured. There is an automatically allocated SRv6 End.X function for each IS-IS neighbor.

```

*A:PE-2# show router segment-routing-v6 base-routing-instance
=====
Segment Routing v6 Base Routing Instance
=====
Locator
Type      Function  SID                                     Status/InstId
SRH-mode Protection Interface
-----
PE-2_loc
End       1         2001:db8:aaaa:102:0:1000::             ok
  USP
-----
Auto-allocated End.X: PSP Unprotected,
-----

```

```

End.X *2 2001:db8:aaaa:102:0:2000:: 0
PSP Unprotected int-PE-2-PE-1
ISIS Level: L2 Mac Address: 04:0a:01:01:00:01 Nbr Sys Id: 0010.0100.1001
End.X *3 2001:db8:aaaa:102:0:3000:: 0
PSP Unprotected int-PE-2-RR-3
ISIS Level: L2 Mac Address: 04:12:01:01:00:0b Nbr Sys Id: 0010.0100.1003
-----
Legend: * - System allocated
    
```

Verify the IPv6 route table on PE-1. The IPv6 route table also has routes to the local and learned remote locators and to the local SRv6 function SIDs. The remotely configured locator prefix of PE-2 is reached via an SRv6 tunnel. The routes with protocol “SRV6” correspond with the locally configured locator prefix of PE-1 or the locally configured SRv6 End function.

```

*A:PE-1# show router route-table ipv6
=====
IPv6 Route Table (Router: Base)
=====
Dest Prefix[Flags]                               Type  Proto  Age           Pref
  Next Hop[Interface Name]                       Metric
-----
2001:db8::2:1/128                                Local  Local  00h10m37s    0
  system
2001:db8::2:2/128                                Remote  ISIS   00h00m34s    18
  fe80::60e:1ff:fe01:1-"int-PE-1-PE-2"
2001:db8::2:3/128                                Remote  ISIS   00h00m34s    18
  fe80::611:ffff:fe00:0-"int-PE-1-RR-3"
2001:db8::168:12:0/126                           Local  Local  00h10m35s    0
  int-PE-1-PE-2
2001:db8::168:13:0/126                           Local  Local  00h10m36s    0
  int-PE-1-RR-3
2001:db8::168:23:0/126                           Remote  ISIS   00h00m34s    18
  fe80::60e:1ff:fe01:1-"int-PE-1-PE-2"
2001:db8:aaaa:101::/64                          Local  SRV6  00h01m58s    3
  fe80::201-"_tmnx_fpe_2.a"
2001:db8:aaaa:101:0:1000::/128                  Local  SRV6  00h01m13s    3
  Black Hole
2001:db8:aaaa:101:0:2000::/128                  Local  ISIS  00h00m35s    18
  fe80::60e:1ff:fe01:1-"int-PE-1-PE-2"
2001:db8:aaaa:101:0:3000::/128                  Local  ISIS  00h00m35s    18
  fe80::611:ffff:fe00:0-"int-PE-1-RR-3"
2001:db8:aaaa:102::/64                          Remote ISIS  00h00m20s    18
  2001:db8:aaaa:102::/64 (tunneled:SRV6-ISIS)
-----
No. of Routes: 11
---snip---
=====
    
```

Verify that the tunnel from PE-1 to the remote locator has SRv6 encapsulation and similar for the tunnel from PE-2. The tunnel table on RR-3 remains empty.

```

*A:PE-1# show router tunnel-table ipv6
=====
IPv6 Tunnel Table (Router: Base)
=====
Destination                               Owner   Encap TunnelId  Pref
NextHop                                   Color   Metric
-----
2001:db8:aaaa:102::/64                    srv6-isis SRV6 524289    0
    
```

```

fe80::60e:1ff:fe01:1-"int-PE-1-PE-2"          10
-----
---snip---
=====

```

Verify that the tunnel from PE-1 to the remote locator uses the “int-PE-1-PE-2” interface and similar for the tunnel from PE-2, where the tunnel to the remote locator uses the “int-PE-2-PE-1” interface. Interface “int-PE-1-PE-2” is configured on port 1/1/c/1/1:1000. The FP tunnel table on RR-3 remains empty.

```

*A:PE-1# show router fp-tunnel-table 1 ipv6

=====
IPv6 Tunnel Table Display

Legend:
label stack is ordered from bottom-most to top-most
B - FRR Backup
=====
Destination                               Protocol      Tunnel-ID
Lbl/SID                                    NextHop      Intf/Tunnel
Lbl/SID (backup)                          NextHop      (backup)
-----
2001:db8:aaaa:102::/64                    SRV6         524289
-
  fe80::60e:1ff:fe01:1-"int-PE-1-PE-2"    1/1/c/1/1:1000
-----
Total Entries : 1
=====

```

Verify the IS-IS data base on PE-1 with **show router isis database detail**. The output of this command provides information on each IS-IS-enabled router. Per uniquely identified IS-IS-enabled router, the SRv6 information indicates:

- the IS-IS-advertised router capabilities
- the advertised SRv6 locator TLV
- the advertised configured SRv6 End SID and automatically allocated SRv6 End.X SIDs

```

*A:PE-1# show router isis database detail

=====
Rtr Base ISIS Instance 0 Database (detail)
=====

Displaying Level 1 database
-----
Level (1) LSP Count : 0

Displaying Level 2 database
-----
LSP ID : PE-1.00-00                Level : L2
Sequence : 0x5                        Checksum : 0x6a3a    Lifetime : 1165
Version : 1                            Pkt Type : 20       Pkt Ver : 1
Attributes: L1L2                       Max Area : 3        Alloc Len : 1492
SYS ID : 0010.0100.1001           SysID Len : 6       Used Len : 398

TLVs :
Area Addresses:

```

```

Area Address : (3) 49.0001
Supp Protocols:
  Protocols   : IPv4
  Protocols   : IPv6
IS-Hostname   : PE-1
Router ID    :
  Router ID   : 1.1.1.1
TE Router ID v6 :
  Router ID   : 2001:db8::2:1
Router Cap    : 1.1.1.1, D:0, S:0
  TE Node Cap : B E M P
  SRv6 Cap    : 0x0000
  SR Alg      : metric based SPF
  Node MSD Cap: BMI : 0 SRH-MAX-SL : 10 SRH-MAX-END-POP : 9 SRH-MAX-H-ENCAPS : 1 SRH-MAX-END-
D : 9
I/F Addresses IPv6 :
  IPv6 Address : 2001:db8::2:1
  IPv6 Address : 2001:db8::168:12:1
  IPv6 Address : 2001:db8::168:13:1
TE IS Nbrs :
  Nbr : PE-2.00
  Default Metric : 10
  Sub TLV Len : 60
  IPv6 Addr : 2001:db8::168:12:1
  Nbr IPv6 : 2001:db8::168:12:2
  End.X-SID: 2001:db8:aaaa:101:0:2000:: flags: algo:0 weight:0 endpoint:End.X-PSP
TE IS Nbrs :
  Nbr : RR-3.00
  Default Metric : 10
  Sub TLV Len : 42
  IPv6 Addr : 2001:db8::168:13:1
  End.X-SID: 2001:db8:aaaa:101:0:3000:: flags: algo:0 weight:0 endpoint:End.X-PSP
IPv6 Reach:
  Metric: ( I ) 0
  Prefix : 2001:db8::2:1/128
  Metric: ( I ) 10
  Prefix : 2001:db8::168:12:0/126
  Metric: ( I ) 10
  Prefix : 2001:db8::168:13:0/126
  Metric: ( I ) 0
  Prefix : 2001:db8:aaaa:101::/64
SRv6 Locator :
  MT ID : 0
  Metric: ( ) 0 Algo:0
  Prefix : 2001:db8:aaaa:101::/64
  Sub TLV :
  End-SID : 2001:db8:aaaa:101:0:1000::, flags:0x0, endpoint:End-USP
-----
LSP ID : PE-2.00-00                               Level : L2
Sequence : 0x5                                     Checksum : 0xe97e   Lifetime : 1178
Version : 1                                         Pkt Type : 20      Pkt Ver : 1
Attributes: L1L2                                   Max Area : 3       Alloc Len : 398
SYS ID : 0010.0100.1002                           SysID Len : 6      Used Len : 398

TLVs :
Area Addresses:
  Area Address : (3) 49.0001
Supp Protocols:
  Protocols   : IPv4
  Protocols   : IPv6
IS-Hostname   : PE-2
Router ID    :
  Router ID   : 1.1.1.2

```

```

TE Router ID v6 :
  Router ID : 2001:db8::2:2
  Router Cap : 1.1.1.2, D:0, S:0
  TE Node Cap : B E M P
  SRv6 Cap: 0x0000
  SR Alg: metric based SPF
  Node MSD Cap: BMI : 0 SRH-MAX-SL : 10 SRH-MAX-END-POP : 9 SRH-MAX-H-ENCAPS : 1 SRH-MAX-END-
D : 9
I/F Addresses IPv6 :
  IPv6 Address : 2001:db8::2:2
  IPv6 Address : 2001:db8::168:12:2
  IPv6 Address : 2001:db8::168:23:1
TE IS Nbrs :
  Nbr : PE-1.00
  Default Metric : 10
  Sub TLV Len : 60
  IPv6 Addr : 2001:db8::168:12:2
  Nbr IPv6 : 2001:db8::168:12:1
  End.X-SID: 2001:db8:aaaa:102:0:2000:: flags: algo:0 weight:0 endpoint:End.X-PSP
TE IS Nbrs :
  Nbr : RR-3.00
  Default Metric : 10
  Sub TLV Len : 42
  IPv6 Addr : 2001:db8::168:23:1
  End.X-SID: 2001:db8:aaaa:102:0:3000:: flags: algo:0 weight:0 endpoint:End.X-PSP
IPv6 Reach:
  Metric: ( I ) 0
  Prefix : 2001:db8::2:2/128
  Metric: ( I ) 10
  Prefix : 2001:db8::168:12:0/126
  Metric: ( I ) 10
  Prefix : 2001:db8::168:23:0/126
  Metric: ( I ) 0
  Prefix : 2001:db8:aaaa:102::/64
SRv6 Locator :
  MT ID : 0
  Metric: ( ) 0 Algo:0
  Prefix : 2001:db8:aaaa:102::/64
  Sub TLV :
  End-SID : 2001:db8:aaaa:102:0:1000::, flags:0x0, endpoint:End-USP
-----
LSP ID : RR-3.00-00
Sequence : 0x3
Version : 1
Attributes: L1L2
SYS ID : 0010.0100.1003
Checksum : 0xdba6
Pkt Type : 20
Max Area : 3
SysID Len : 6
Level : L2
Lifetime : 702
Pkt Ver : 1
Alloc Len : 193
Used Len : 193
TLVs :
Area Addresses:
  Area Address : (3) 49.0001
Supp Protocols:
  Protocols : IPv4
  Protocols : IPv6
IS-Hostname : RR-3
Router ID :
  Router ID : 1.1.1.3
I/F Addresses IPv6 :
  IPv6 Address : 2001:db8::2:3
  IPv6 Address : 2001:db8::168:13:2
  IPv6 Address : 2001:db8::168:23:2
TE IS Nbrs :
  Nbr : PE-1.00
  Default Metric : 10

```

```

Sub TLV Len      : 0
TE IS Nbrs      :
Nbr              : PE-2.00
Default Metric   : 10
Sub TLV Len      : 0
IPv6 Reach:
Metric: ( I ) 0
Prefix          : 2001:db8::2:3/128
Metric: ( I ) 10
Prefix          : 2001:db8::168:13:0/126
Metric: ( I ) 10
Prefix          : 2001:db8::168:23:0/126

Level (2) LSP Count : 3
-----
---snip---
=====

```

Verify the IS-IS routes on PE-1 and similar on PE-2.

```

*A:PE-1# show router isis routes

=====
Rtr Base ISIS Instance 0 Route Table
=====
Prefix[Flags]           Metric    Lvl/Typ    Ver.  SysID/Hostname
NextHop                 MT        AdminTag/SID[F]
-----
2001:db8::2:1/128       0         2/Int.     2     PE-1
::                      0         0
2001:db8::2:2/128       10        2/Int.     9     PE-2
 fe80::60e:1ff:fe01:1-"int-PE-1-PE-2"  0         0
2001:db8::2:3/128       10        2/Int.     9     RR-3
 fe80::611:ffff:fe00:0-"int-PE-1-RR-3"  0         0
2001:db8::168:12:0/126  10        2/Int.     4     PE-1
::                      0         0
2001:db8::168:13:0/126  10        2/Int.     4     PE-1
::                      0         0
2001:db8::168:23:0/126  20        2/Int.     9     PE-2
 fe80::60e:1ff:fe01:1-"int-PE-1-PE-2"  0         0
2001:db8:aaaa:101::/64      0         2/Int.     10    PE-1
::                      0         0
2001:db8:aaaa:102::/64     10        2/Int.     10    PE-2
 fe80::60e:1ff:fe01:1-"int-PE-1-PE-2"  0         0
-----
No. of Routes: 8 (8 paths)
-----
---snip---
=====

```

This output corresponds with the information in the route table and in the FIB.

The BGP groups can be verified with the **show router bgp group** command. PE-1 and PE-2 know the internal and the external BGP groups. RR-3 only knows the internal BGP group.

The BGP next hops can be verified with the following commands:

- **show router bgp next-hop ipv4**
- **show router bgp next-hop ipv6**
- **show router bgp next-hop vpn-ipv4**
- **show router bgp next-hop vpn-ipv6**

Verify on PE-1 and similar on PE-2 that the locator prefixes are locally configured and advertised. In this example, PE-1 is aware of both locators. One locator is locally configured; the other is learned from the PE-2 advertisement.

```
*A:PE-1# show router isis segment-routing-v6 locator
```

```
=====
```

Rtr Base ISIS Instance 0 SRv6 Locator Table				
Prefix	AdvRtr	MT	Lvl/Typ	
AttributeFlags	Tag	Flags	Algo	
2001:db8:aaaa:101::/64	PE-1	0	2/Int.	
-	0	-	0	
2001:db8:aaaa:102::/64	PE-2	0	2/Int.	
-	0	-	0	

```
-----
```

No. of Locators: 2

```
-----
```

---snip---

```
=====
```

Verify on PE-1 and similar on PE-2 that the SRv6 End SIDs are locally configured and advertised. In this example, PE-1 is aware of both SRv6 End SIDs. One End SID is locally configured; the other is learned from the PE-2 advertisement.

```
*A:PE-1# show router isis segment-routing-v6 end-sid
```

```
=====
```

Rtr Base ISIS Instance 0 SRv6 End SID Table				
Prefix	AdvRtr	MT	Lvl/Typ	
Sid	Behavior	Flags	Algo	
2001:db8:aaaa:101::/64	PE-1	0	2/Int.	
2001:db8:aaaa:101:0:1000::	End USP	-	0	
2001:db8:aaaa:102::/64	PE-2	0	2/Int.	
2001:db8:aaaa:102:0:1000::	End USP	-	0	

```
-----
```

No. of End SIDs: 2

```
=====
```

Configure SRv6 for the VPRNs on PE-1 and on PE-2

On PE-1, PE-2, and RR-3, extend the BGP advertisements to include the VPN-IPv4 and VPN-IPv6 families.

```
configure
router Base
  bgp
    rapid-update vpn-ipv4 vpn-ipv6
    group "gr_v6_internal"
      family ipv4 ipv6 vpn-ipv4 vpn-ipv6
      extended-nh-encoding ipv4 vpn-ipv4
      advertise-ipv6-next-hops ipv4 vpn-ipv4 vpn-ipv6
    exit
  no shutdown
exit
```



```
exit
exit
```

On PE-2, create an SRv6 instance for the VPRN service. Use the locator from the **router Base segment-routing segment-routing-v6** context and configure End.DT4 and End.DT6 functions for it.

Use the created SRv6 instance in the **service vprn bgp-ipvpn segment-routing-v6** context, with the configured locator as the default locator. Ensure a unique route distinguisher. Use the unique PE-2 system IPv6 address as the source address. Perform a similar configuration on PE-1, with the PE-1 locator as the default locator, the PE-1 system IPv6 address as the source address, and a different route distinguisher.

```
*A:PE-2# configure service
vprn 2
  segment-routing-v6 1 crea
    locator "PE-2_loc"
    function
      end-dt4
      end-dt6
    exit
  exit
exit
bgp-ipvpn
  segment-routing-v6
    route-distinguisher 192.0.2.2:2
    srv6-instance 1 default-locator "PE-2_loc"
    source-address 2001:db8::2:2
    vrf-target target:64506:2
    no shutdown
  exit
exit
no shutdown
exit all
```

This configuration results in BGP update exchanges from PE-2 to PE-1, via RR-3, and similar from PE-1 to PE-2, via RR-3. PE-2 sends BGP updates to RR-3 for the VPN-IPv4 and the VPN-IPv6 families respectively. Each BGP update advertises the VPN-IPv4 or VPN-IPv6 address family, the reachable network prefixes, the AS to which they belong, and an SRv6 Services TLV. The SRv6 Services TLV indicates that resolution to an SRv6 SID is available, making use of the endpoint behavior that is configured for the VPN-IPv4 or VPN-IPv6 address family on the locator. PE-1 programs the route prefixes with an SRv6 tunnel next hop in its VPRN service route table and in its FIB. PE-1 and PE-2 advertise only the SRv6 SIDs for the SRv6 End.DT4 and SRv6 End.DT6 functions.

When debug logging for BGP updates is configured, this configuration results in the following BGP update logs for the VPN-IPv4 address family.

Consider the example for VPN-IPv4 prefix 172.16.222.1/32. Similar BGP update logs are generated also for VPN-IPv4 prefix 172.16.211.1/32, in the other direction.

The following BGP update log is for the VPN-IPv4 address family. It is sent by PE-2 and received (via RR-3) by PE-1:

```
*A:PE-1# show log log-id 2
---snip---
3 2022/06/21 13:45:48.507 UTC MINOR: DEBUG #2001 Base Peer 1: 2001:db8::2:3
"Peer 1: 2001:db8::2:3: UPDATE
Peer 1: 2001:db8::2:3 - Received BGP UPDATE:
  Withdrawn Length = 0
  Total Path Attr Length = 128
  Flag: 0x90 Type: 14 Len: 45 Multiprotocol Reachable NLRI:
```

```

Address Family VPN_IPV4
  NextHop len 24 NextHop 2001:db8::2:2
  172.16.222.1/32 RD 192.0.2.2:2 Label 524288 (Raw Label 0x800001)
  Flag: 0x40 Type: 1 Len: 1 Origin: 0
  Flag: 0x40 Type: 2 Len: 0 AS Path:
  Flag: 0x40 Type: 5 Len: 4 Local Preference: 100
  Flag: 0x80 Type: 9 Len: 4 Originator ID: 2.2.2.2
  Flag: 0x80 Type: 10 Len: 4 Cluster ID:
    3.3.3.3
  Flag: 0xc0 Type: 16 Len: 8 Extended Community:
    target:64506:2
  Flag: 0xc0 Type: 40 Len: 37 Prefix-SID-attr:
    SRv6 Services TLV (37 bytes):-
      Type: SRV6 L3 Service TLV (5)
      Length: 34 bytes, Reserved: 0x0
      SRv6 Service Information Sub-TLV (33 bytes)
        Type: 1 Len: 30 Rsvd1: 0x0
        SRv6 SID: 2001:db8:aaaa:102::
        SID Flags: 0x0 Endpoint Behavior: 0x13 Rsvd2: 0x0
        SRv6 SID Sub-Sub-TLV
          Type: 1 Len: 6
          BL:48 NL:16 FL:20 AL:0 TL:20 TO:64
    "
  ---snip---

```

Similar BGP update logs are generated for the VPN-IPv6 address family.

Consider the example for VPN-IPv6 prefix 2001:db8:222::1/128. Similar BGP update logs are generated also for VPN-IPv6 prefix 2001:db8:211::1/128, in the other direction.

The following BGP update log is for the VPN-IPv6 address family. It is sent by PE-2 and received (via RR-3) by PE-1:

```

---snip---
4 2022/06/21 13:45:48.508 UTC MINOR: DEBUG #2001 Base Peer 1: 2001:db8::2:3
"Peer 1: 2001:db8::2:3: UPDATE
Peer 1: 2001:db8::2:3 - Received BGP UPDATE:
  Withdrawn Length = 0
  Total Path Attr Length = 140
  Flag: 0x90 Type: 14 Len: 57 Multiprotocol Reachable NLRI:
    Address Family VPN_IPV6
      NextHop len 24 NextHop 2001:db8::2:2
      2001:db8:222::1/128 RD 192.0.2.2:2 Label 524287 (Raw Label 0x7ffff1)
      Flag: 0x40 Type: 1 Len: 1 Origin: 0
      Flag: 0x40 Type: 2 Len: 0 AS Path:
      Flag: 0x40 Type: 5 Len: 4 Local Preference: 100
      Flag: 0x80 Type: 9 Len: 4 Originator ID: 2.2.2.2
      Flag: 0x80 Type: 10 Len: 4 Cluster ID:
        3.3.3.3
      Flag: 0xc0 Type: 16 Len: 8 Extended Community:
        target:64506:2
      Flag: 0xc0 Type: 40 Len: 37 Prefix-SID-attr:
        SRv6 Services TLV (37 bytes):-
          Type: SRV6 L3 Service TLV (5)
          Length: 34 bytes, Reserved: 0x0
          SRv6 Service Information Sub-TLV (33 bytes)
            Type: 1 Len: 30 Rsvd1: 0x0
            SRv6 SID: 2001:db8:aaaa:102::
            SID Flags: 0x0 Endpoint Behavior: 0x12 Rsvd2: 0x0
            SRv6 SID Sub-Sub-TLV
              Type: 1 Len: 6
              BL:48 NL:16 FL:20 AL:0 TL:20 TO:64

```

```
"
---snip---
```

PE-1 receives from BGP peer RR-3 (peer router id 2.2.2.3) the information for network prefix 172.16.222.1/32 that PE-2 (originator id 2.2.2.2) advertised, as displayed in the RIB In Entries section in the following example. PE-1 programs route prefix 172.16.222.1/32 in its local VPRN service route table and FIB. The presence of the SRv6 Services TLV indicates that the next hop is the VPRN SRv6 End.DT4 SID which, in turn, is resolved to the remote locator for PE-2. PE-2 expects the data with VPN label 524288. PE-2 has concatenated the hexadecimal value 0x80000 of this VPN label to the remote SRv6 SID prefix 2001:db8:aaaa:102:: to form the remote SRv6 full SID 2001:db8:aaaa:102:8000:: that PE-1 must use. PE-1 uses the path that corresponds with this information (flags field). PE-1 sends SRv6 encapsulated IPv4 data from the VPRN in an SRv6 tunnel to the remote locator prefix of PE-2 on its "int-PE-1-PE-2" interface (as is shown in the output of the **show router tunnel-table ipv6** command). PE-1 uses the VPRN 2 route table for the prefix lookup (VPRN imported field).

PE-1 advertises to BGP peer RR-3 (peer router id 2.2.2.3) the information for network prefix 172.16.211.1/32, as displayed in the RIB Out Entries section in the following example. RR-3 forwards this information to its BGP neighbors, in this case PE-2. PE-2 acts in a similar way as PE-1.

The following output shows the corresponding VPN-IPv4 BGP routes on PE-1:

```
*A:PE-1# show router bgp routes vpn-ipv4 hunt
=====
BGP Router ID:2.2.2.1          AS:64500          Local AS:64500
=====
---snip---
=====
BGP VPN-IPv4 Routes
-----
RIB In Entries
-----
Network       : 172.16.222.1/32
NextHop       : 2001:db8::2:2
Route Dist.   : 192.0.2.2:2          VPN Label      : 524288
Path Id       : None
From          : 2001:db8::2:3
Res. NextHop  : n/a
Local Pref.   : 100
Aggregator AS : None                Interface Name : int-PE-1-PE-2
Atomic Aggr.  : Not Atomic         Aggregator     : None
AIGP Metric   : None                MED            : None
Connector     : None                IGP Cost       : 10
Community     : target:64506:2
Cluster       : 3.3.3.3
Originator Id : 2.2.2.2                Peer Router Id : 2.2.2.3
Fwd Class     : None                Priority       : None
Flags         : Used Valid Best IGP
Route Source  : Internal
AS-Path       : No As-Path
Route Tag     : 0
Neighbor-AS   : n/a
Orig Validation: N/A
Source Class  : 0                    Dest Class     : 0
Add Paths Send : Default
Last Modified : 00h00m34s
SRv6 TLV Type : SRv6 L3 Service TLV (5)
SRv6 SubTLV   : SRv6 SID Information (1)
Sid           : 2001:db8:aaaa:102::
Full Sid      : 2001:db8:aaaa:102:8000::
Behavior      : End.DT4 (19)
```

```

SRv6 SubSubTLV : SRv6 SID Structure (1)
Loc-Block-Len  : 48                      Loc-Node-Len   : 16
Func-Len       : 20                      Arg-Len        : 0
Tpose-Len      : 20                      Tpose-offset   : 64
VPRN Imported : 2

-----
RIB Out Entries
-----
Network       : 172.16.211.1/32
Nexthop      : 2001:db8::2:1
Route Dist.  : 192.0.2.1:2             VPN Label    : 524288
Path Id        : None
To           : 2001:db8::2:3
Res. Nexthop   : n/a
Local Pref.    : 100                    Interface Name : NotAvailable
Aggregator AS  : None                   Aggregator    : None
Atomic Aggr.   : Not Atomic             MED           : None
AIGP Metric    : None                   IGP Cost      : n/a
Connector      : None
Community      : target:64506:2
Cluster        : No Cluster Members
Originator Id  : None                   Peer Router Id : 2.2.2.3
Origin         : IGP
AS-Path        : No As-Path
Route Tag      : 0
Neighbor-AS    : n/a
Orig Validation: N/A
Source Class   : 0                      Dest Class     : 0
SRv6 TLV Type : SRv6 L3 Service TLV (5)
SRv6 SubTLV  : SRv6 SID Information (1)
Sid          : 2001:db8:aaaa:101::
Full Sid     : 2001:db8:aaaa:101:8000::
Behavior     : End.DT4 (19)
SRv6 SubSubTLV : SRv6 SID Structure (1)
Loc-Block-Len  : 48                      Loc-Node-Len   : 16
Func-Len       : 20                      Arg-Len        : 0
Tpose-Len      : 20                      Tpose-offset   : 64

-----
Routes : 2
=====

```

For IPv6 data transport, VPRN End.DT6 behavior is needed. The IPv6 data transport uses a different VPN label 524287, resulting in a different full SRv6 SID ending with 7fff:f000::. PE-1 sends SRv6 encapsulated IPv6 data from the VPRN in an SRv6 tunnel to the remote locator prefix of PE-2 on its “int-PE-1-PE-2” interface (as is shown in the output of the **show router tunnel-table ipv6** command).

The following output shows the corresponding VPN-IPv6 BGP routes on PE-1:

```

*A:PE-1# show router bgp routes vpn-ipv6 hunt
=====
BGP Router ID:2.2.2.1          AS:64500          Local AS:64500
=====
---snip---
=====
BGP VPN-IPv6 Routes
=====
-----
RIB In Entries
-----
Network       : 2001:db8:222::1/128
Nexthop      : 2001:db8::2:2

```

```

Route Dist.      : 192.0.2.2:2          VPN Label       : 524287
Path Id         : None
From           : 2001:db8::2:3
Res. Nexthop   : n/a
Local Pref.    : 100
Aggregator AS  : None                  Interface Name  : int-PE-1-PE-2
Atomic Aggr.   : Not Atomic            Aggregator     : None
AIGP Metric    : None                  MED           : None
Connector      : None                  IGP Cost      : 10
Community      : target:64506:2
Cluster        : 3.3.3.3
Originator Id  : 2.2.2.2                Peer Router Id  : 2.2.2.3
Fwd Class     : None                   Priority       : None
Flags          : Used Valid Best IGP
Route Source   : Internal
AS-Path        : No As-Path
Route Tag      : 0
Neighbor-AS    : n/a
Orig Validation: N/A
Source Class   : 0                     Dest Class     : 0
Add Paths Send : Default
Last Modified  : 00h00m34s
SRv6 TLV Type : SRv6 L3 Service TLV (5)
SRv6 SubTLV   : SRv6 SID Information (1)
Sid           : 2001:db8:aaaa:102::
Full Sid      : 2001:db8:aaaa:102:7fff:f000::
Behavior       : End.DT6 (18)
SRv6 SubSubTLV : SRv6 SID Structure (1)
Loc-Block-Len : 48                     Loc-Node-Len  : 16
Func-Len      : 20                     Arg-Len       : 0
Tpose-Len     : 20                     Tpose-offset  : 64
VPRN Imported  : 2
    
```

RIB Out Entries

```

Network        : 2001:db8:211::1/128
Nexthop       : 2001:db8::2:1
Route Dist.   : 192.0.2.1:2          VPN Label       : 524287
Path Id       : None
To           : 2001:db8::2:3
Res. Nexthop : n/a
Local Pref.  : 100
Aggregator AS : None                  Interface Name  : NotAvailable
Atomic Aggr. : Not Atomic            Aggregator     : None
AIGP Metric  : None                  MED           : None
Connector    : None                  IGP Cost      : n/a
Community    : target:64506:2
Cluster      : No Cluster Members
Originator Id : None                   Peer Router Id  : 2.2.2.3
Origin       : IGP
AS-Path      : No As-Path
Route Tag    : 0
Neighbor-AS  : n/a
Orig Validation: N/A
Source Class : 0                     Dest Class     : 0
SRv6 TLV Type : SRv6 L3 Service TLV (5)
SRv6 SubTLV   : SRv6 SID Information (1)
Sid           : 2001:db8:aaaa:101::
Full Sid      : 2001:db8:aaaa:101:7fff:f000::
Behavior       : End.DT6 (18)
SRv6 SubSubTLV : SRv6 SID Structure (1)
Loc-Block-Len : 48                     Loc-Node-Len  : 16
Func-Len      : 20                     Arg-Len       : 0
    
```

```
Tpose-Len      : 20                Tpose-offset   : 64
-----
Routes : 2
=====
```

Verify that there are additional local SRv6 SIDs for PE-1 and PE-2. These local SRv6 SIDs correspond with the additional SRv6 behavior that is configured on the locator for the data transport between the local and the remote VPRN. Because RR-3 does not have SRv6 configuration, RR-3 does not have local SRv6 SIDs.

```
*A:PE-2# show router segment-routing-v6 local-sid
=====
Segment Routing v6 Local SIDs
=====
SID                               Type      Function
Locator
Context
-----
---snip---
2001:db8:aaaa:102:7fff:f000::     End.DT6   524287
  PE-2_loc
  SvcId: 2 Name: VPRN_2
2001:db8:aaaa:102:8000::         End.DT4   524288
  PE-2_loc
  SvcId: 2 Name: VPRN_2
-----
SIDs : 5
=====
```

Verify that there is SRv6 information for the VPRN service with service id 2.

```
*A:PE-2# show service id 2 segment-routing-v6 detail
=====
Segment Routing v6 Instance 1 Service 2
=====
Locator                               Function  SID                               Status
Type                                  SID
-----
PE-2_loc
  End.DT4          *524288 2001:db8:aaaa:102:8000::         ok
  End.DT6          *524287 2001:db8:aaaa:102:7fff:f000::    ok
-----
Legend: * - System allocated
```

At this point, verify that data transport is possible between the local VPRN on PE-1 and the remote VPRN on PE-2.

```
*A:PE-1# ping router 2 172.16.222.1
PING 172.16.222.1 56 data bytes
64 bytes from 172.16.222.1: icmp_seq=1 ttl=64 time=1.67ms.
---snip---
---- 172.16.222.1 PING Statistics ----
5 packets transmitted, 5 packets received, 0.00% packet loss
round-trip min = 1.50ms, avg = 1.62ms, max = 1.70ms, stddev = 0.070ms

*A:PE-1# traceroute router 2 172.16.222.1
traceroute to 172.16.222.1, 30 hops max, 40 byte packets
```

```

1 172.16.222.1 (172.16.222.1) 1.39 ms 1.26 ms 1.36 ms

*A:PE-1# ping router 2 2001:db8:222::1
PING 2001:db8:222::1 56 data bytes
64 bytes from 2001:db8:222::1 icmp_seq=1 hlim=64 time=1.45ms.
---snip---
---- 2001:db8:222::1 PING Statistics ----
5 packets transmitted, 5 packets received, 0.00% packet loss
round-trip min = 1.33ms, avg = 1.49ms, max = 1.59ms, stddev = 0.094ms

*A:PE-1# traceroute router 2 2001:db8:222::1
traceroute to 2001:db8:222::1, 30 hops max, 60 byte packets
 1 2001:db8:222::1 (2001:db8:222::1) 1.70 ms 1.60 ms 1.46 ms

```

The result of the verification complies with the route table for the local VPRN on PE-1, which now also contains routes for the loopback addresses in the remote VPRN on PE-2. The same is true for data transport between the remote VPRN on PE-2 and the local VPRN on PE-1.

```

*A:PE-1# show router 2 route-table ipv4

=====
Route Table (Service: 2)
=====
Dest Prefix[Flags]                Type  Proto  Age      Pref
  Next Hop[Interface Name]        Active Metric
-----
172.16.211.1/32                    Local  Local  00h08m20s  0
  lb_itf_vprn                      Y      0
172.16.222.1/32                    Remote BGP VPN 00h00m59s 170
  2001:db8:aaaa:102:8000:: (tunneled:SRV6)  Y      10
-----
No. of Routes: 2
---snip---
=====

*A:PE-1# show router 2 route-table ipv6

=====
IPv6 Route Table (Service: 2)
=====
Dest Prefix[Flags]                Type  Proto  Age      Pref
  Next Hop[Interface Name]        Active Metric
-----
2001:db8:211::1/128                Local  Local  00h08m18s  0
  lb_itf_vprn                      Y      0
2001:db8:222::1/128                Remote BGP VPN 00h00m59s 170
  2001:db8:aaaa:102:7fff:f000:: (tunneled:SRV6)  Y      10
-----
No. of Routes: 2
---snip---
=====

```

Conclusion

SRv6 shortest path routing can be used as an IPv6 transport for implementing VPRN services across an IPv6 service provider network.

Segment Routing with IS-IS Control Plane

This chapter provides information about Segment Routing (SR) with Intermediate System to Intermediate System (IS-IS) control plane.

Topics in this chapter include:

- [Applicability](#)
- [Overview](#)
- [Configuration](#)
- [Conclusion](#)

Applicability

Segment routing is supported in SR OS Release 13.0, and later. This chapter was initially written for SR OS Release 13.0.R3, but the CLI in the current edition corresponds to SR OS Release 21.2.R1.

Overview

Segment Routing (SR) is a technology for IP/Multi-Protocol Label Switching (MPLS) networks that enables source routing. With source routing, operators can specify a forwarding path, from ingress to egress, that is independent of the shortest path determined by the Interior Gateway Protocol (IGP).

The main benefit of segment routing compared to other source routing protocols (such as ReSource reservation Protocol with Traffic Engineering (RSVP-TE)) is that, from a control plane perspective, no signaling protocol is required. Segment routing provides a path or tunnel, encoded as a sequential list of sub-paths or segments that are advertised within the segment routing domain, using extensions to well-known link state routing protocols, such as IS-IS or Open Shortest Path First (OSPF).

Implementation

A segment routing tunnel can contain a single segment that represents the destination node, or it can contain a list of segments that the tunnel must traverse. The tunnel can be established over an IPv4/IPv6 MPLS or IPv6 data plane, encoded as a stack of MPLS labels or as a number of IPv6 addresses contained in an IPv6 extension header.

Network elements are modeled as segments. For each segment, IGP advertises an identifier referred to as a segment ID (SID).

The two segment types are:

- **Prefix segment** — Globally unique and allocated from a Segment Routing Global Block (SRGB), typically multi-hop and signaled by the IGP. It is the Equal Cost Multi-Path ECMP-aware shortest path IGP route to a related prefix. A typical example of a prefix segment is a node SID. Within the SR OS implementation, the node SID is either the system address or another interface address in the Global

Routing Table (GRT) of type loopback. Node SIDs are advertised in IS-IS using a prefix SID sub-TLV (Type Length Value).

- **Adjacency segment** — Locally unique and allocated from the (local) dynamic label space, so that other routers in the SR domain can use the same label space. Adjacency segments are signaled by the IGP. Within the SR OS implementation, adjacency SIDs are automatically assigned and advertised when the SR context within the IGP instance is set in no shutdown. Adjacency SIDs are advertised in IS-IS using an adjacency SID sub-TLV.

To make prefix segments globally unique within the segment routing domain, an indexing mechanism is required, because production networks consist of multiple vendors and multiple products. As a result, it is often difficult to agree on a common SRGB for the prefix SIDs.

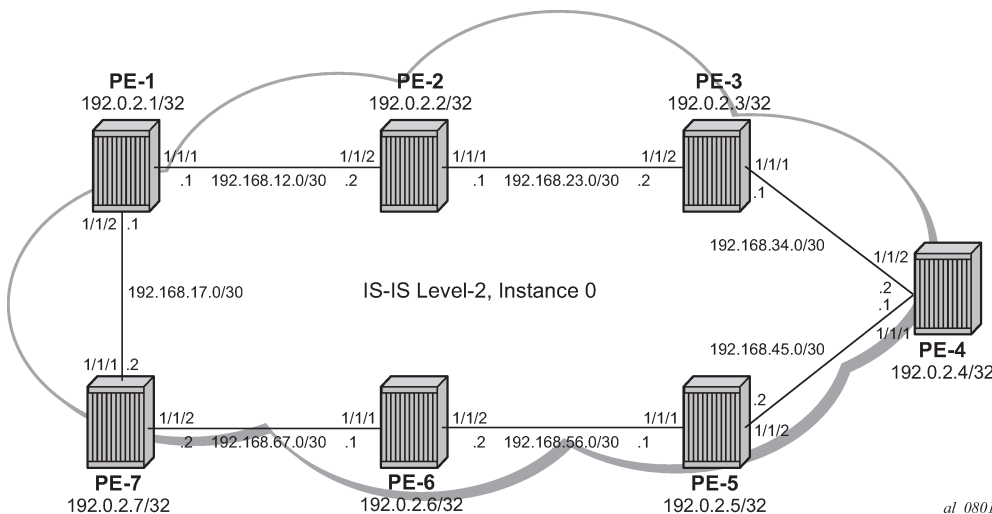
All routers within the SR domain are expected to configure and advertise the same Prefix SID index range for an IGP instance. The label value used by each router to represent a prefix can be local to that router by the use of an offset label, referred to as a start label:

Local label (for a prefix) = (local) start label + {Prefix SID index}

Within the SR OS implementation, prefix Loop-Free Alternate (LFA) is supported for segment routing to improve the Fast ReRoute (FRR) coverage. Remote LFA (RLFA) is also supported. With RLFA, segment routing shortest path tunnels are used as a virtual LFA or repair tunnel toward the PQ node.

The following example uses IS-IS as an IGP protocol, with an MPLS data plane and services enabled using LFA and RLFA. [Figure 49: Example topology](#) shows the example topology with seven PEs.

Figure 49: Example topology



Configuration

1. Configure router interfaces and IS-IS according to [Figure 49: Example topology](#).

- The system and IP interface addresses are configured according to [Figure 49: Example topology](#).
- IS-IS level 2 is selected as the IGP to distribute routing information between all PEs. All IS-IS interfaces are of type point-to-point to avoid running the Designated Router/Backup Designated Router (DR/BDR) election process.

2. Configure segment routing.

Before enabling segment routing on a router, define a dedicated SRGB. This SRGB is required on each individual router part of the SR domain and is used to allocate the Prefix SIDs.

By default, an SRGB is not instantiated and, when configured by the operator, it is taken from the system dynamic label range. By default, the following label ranges are available:

```
*A:PE-1# show router mpls-labels label-range
```

```
=====
```

Label Type	Start Label	End Label	Aging	Available	Total
Static	32	18431	-	18400	18400
Dynamic	18432	524287	0	505856	505856
Seg-Route	0	0	-	0	0

```
=====
```

For simplicity, the same SRGB is used in this example for all SR domain routers. Within the command, a start value and end value define the size of the SRGB. The following command configures an SRGB of 100 MPLS labels, from label 20000 to label 20099:

```
# on PE-1, PE-2, PE-3, PE-4, PE-5, PE-6, PE-7:
configure
  router Base
    mpls-labels
      sr-labels start 20000 end 20099
  exit
```

```
*A:PE-1# show router mpls-labels label-range
```

```
=====
```

Label Type	Start Label	End Label	Aging	Available	Total
Static	32	18431	-	18400	18400
Dynamic	18432	524287	0	505756	505856
Seg-Route	20000	20099	-	0	100

```
=====
```

This command is repeated for all other nodes. The allocated MPLS labels are only for the prefix SIDs. The adjacency SIDs, which are only locally unique, are taken from the dynamic range; in this example, between 18432 and 524287.

a. Enable router capability in the IGP instance.

It is mandatory to enable the router-capability parameter inside the IS-IS instance, to advertise SR support among the IS-IS adjacencies. By configuring this command within the IGP instance, the SR capability sub-TLV is propagated and is used to indicate the index range and the start label. The SR algorithm sub-TLV is also used to advertise the algorithm used for path calculations. Only Shortest Path First (SPF) (value 0) is defined. This is configured as follows:

```
# on PE-1, PE-2, PE-3, PE-4, PE-5, PE-6, PE-7:
configure
  router Base
    isis 0
```

advertise-router-capability area

The flooding parameter is a mandatory parameter in this CLI command. The keyword **area** or **as** indicates that the router capabilities label switched path (LSP) should be advertised throughout the same level or throughout the whole Autonomous System (AS). In the preceding example, all routers belong to the same level, so the **area** argument is sufficient. When the SR context within the IGP instance is set in no shutdown, both IS-IS sub-TLVs are flooded.

b. Define the Prefix SID index range.

The SR OS implementation for SR provides two mutually exclusive modes of operation to define the Prefix SID index range: global mode and per-instance mode. Per-instance mode is useful in a seamless MPLS environment when multiple IGP instances are used. The main difference between the modes is the way that the start label and index range are calculated.

A comparison of the modes is shown in following table:

Table 8: Mode comparison

Global	Per instance
Applicable for all IGP instances on that node	Applicable for one dedicated IGP instance
Start label is first label of SRGB	Start label is configurable (but part of SRGB range); use of non-overlapping sub-ranges of SRGB
Prefix SID index range is "size" of SRGB	Prefix SID index-range is configurable
If SRGB needs to change, shut down SR and delete prefix-SID-ranges in all IGP instances	If prefix SID index and/or label range needs to change, shut down SR in that specific IGP instance
SW checks whether any allocated SID index/label goes out of range. SW checks also for overlaps of the resulting net label value range across IGP instances.	

For simplicity, global mode is used for this example, as follows:

```
# on PE-1, PE-2, PE-3, PE-4, PE-5, PE-6, PE-7:
configure
router Base
isis 0
    segment-routing
    prefix-sid-range global
```

c. Assign a prefix SID index or label to the prefix representing a node.

To be able to set up SR shortest path tunnels to all routers of the SR domain, each router needs to be uniquely defined within the SR domain. Therefore, the system address or other loopback interface in the GRT will be assigned an **ipv4-node-sid index** or **label** value that is unique within the SR domain. The prefix SID index is assigned as follows:

```
# on PE-1:
configure
router Base
```

```
isis 0
  interface "system"
    ipv4-node-sid index 1
```

```
# on PE-2:
configure
router Base
  isis 0
    interface "system"
      ipv4-node-sid index 2
```

```
# on PE-3:
configure
router Base
  isis 0
    interface "system"
      ipv4-node-sid index 3
```

```
# on PE-4:
configure
router Base
  isis 0
    interface "system"
      ipv4-node-sid index 4
```

```
# on PE-5:
configure
router Base
  isis 0
    interface "system"
      ipv4-node-sid index 5
```

```
# on PE-6:
configure
router Base
  isis 0
    interface "system"
      ipv4-node-sid index 6
```

```
# on PE-7:
configure
router Base
  isis 0
    interface "system"
      ipv4-node-sid index 7
```

Because the SRGB is the same on all nodes, each node in the network can be reached using the same MPLS label. For example, the node SID for PE-5 on all nodes has a start label (first label of the SRGB (= 20000) + ipv4-node-sid index on node PE-5 (= 5)) of 20005.

When there is one consistent SRGB for the SR domain, the SR OS allows the use of absolute MPLS label values instead of index values. For example, on PE-1, an operator can use an explicit MPLS label value, as follows:

```
# on PE-1:
configure
router Base
```

```
isis 0
  interface "system"
    ipv4-node-sid label 20001
```

Internally, this explicit value is translated into an index value (index-value 1) before advertising it toward its neighbors, taking into account the prefix SID index-range mode (global or per-instance) and the SRGB.

- d. Enable SR context within the IGP instance, as follows:

```
# on PE-1, PE-2, PE-3, PE-4, PE-5, PE-6, PE-7:
configure
  router Base
    isis 0
      segment-routing
      no shutdown
```

After enabling the SR context within an IGP instance, the SR capability sub-TLV, and the SR algorithm sub-TLV between all routers within the SR domain, are flooded. The following show command displays the SR related router capability information on PE-1:

```
*A:PE-1# show router isis capabilities level 2

=====
Rtr Base ISIS Instance 0 Capabilities
=====

Displaying Level 2 capabilities
-----
LSP ID   : PE-1.00-00
Router Cap : 192.0.2.1, D:0, S:0
  TE Node Cap : B E M P
  SR Cap: IPv4 MPLS-IPv6
    SRGB Base:20000, Range:100
  SR Alg: metric based SPF
  Node MSD Cap: BMI : 12 ERLD : 15

LSP ID   : PE-2.00-00
Router Cap : 192.0.2.2, D:0, S:0
  TE Node Cap : B E M P
  SR Cap: IPv4 MPLS-IPv6
    SRGB Base:20000, Range:100
  SR Alg: metric based SPF
  Node MSD Cap: BMI : 12 ERLD : 15

LSP ID   : PE-3.00-00
Router Cap : 192.0.2.3, D:0, S:0
  TE Node Cap : B E M P
  SR Cap: IPv4 MPLS-IPv6
    SRGB Base:20000, Range:100
  SR Alg: metric based SPF
  Node MSD Cap: BMI : 12 ERLD : 15

LSP ID   : PE-4.00-00
Router Cap : 192.0.2.4, D:0, S:0
  TE Node Cap : B E M P
  SR Cap: IPv4 MPLS-IPv6
    SRGB Base:20000, Range:100
  SR Alg: metric based SPF
  Node MSD Cap: BMI : 12 ERLD : 15

LSP ID   : PE-5.00-00
```

```

Router Cap : 192.0.2.5, D:0, S:0
TE Node Cap : B E M P
SR Cap: IPv4 MPLS-IPv6
  SRGB Base:20000, Range:100
SR Alg: metric based SPF
Node MSD Cap: BMI : 12 ERLD : 15

LSP ID   : PE-6.00-00
Router Cap : 192.0.2.6, D:0, S:0
TE Node Cap : B E M P
SR Cap: IPv4 MPLS-IPv6
  SRGB Base:20000, Range:100
SR Alg: metric based SPF
Node MSD Cap: BMI : 12 ERLD : 15

LSP ID   : PE-7.00-00
Router Cap : 192.0.2.7, D:0, S:0
TE Node Cap : B E M P
SR Cap: IPv4 MPLS-IPv6
  SRGB Base:20000, Range:100
SR Alg: metric based SPF
Node MSD Cap: BMI : 12 ERLD : 15

Level (2) Capability Count : 7
=====
    
```

A similar output occurs for each router in the SR domain.

After enabling the SR context within the IGP instance, the assigned index for each locally configured prefix SID is advertised. After the advertisement of prefix SIDs, MPLS data plane Ingress Label Mapping (ILM) is programmed with a pop operation. In this context, a show command can be used to display the prefix SIDs, in order, within the SR domain. As an example, on PE-1, this becomes:

```

*A:PE-1# show router isis prefix-sids

=====
Rtr Base ISIS Instance 0 Prefix/SID Table
=====
Prefix                               SID      Lvl/Typ  SRMS  AdvRtr
MT                                     Flags
-----
192.0.2.1/32                          1        2/Int.   N      PE-1
                                           0      NnP
192.0.2.2/32                          2        2/Int.   N      PE-2
                                           0      NnP
192.0.2.3/32                          3        2/Int.   N      PE-3
                                           0      NnP
192.0.2.4/32                          4        2/Int.   N      PE-4
                                           0      NnP
192.0.2.5/32                          5        2/Int.   N      PE-5
                                           0      NnP
192.0.2.6/32                          6        2/Int.   N      PE-6
                                           0      NnP
192.0.2.7/32                          7        2/Int.   N      PE-7
                                           0      NnP
-----
No. of Prefix/SIDs: 7 (7 unique)
-----
SRMS : Y/N = prefix SID advertised by SR Mapping Server (Y) or not (N)
S      = SRMS prefix SID is selected to be programmed
Flags: R      = Re-advertisement
      N      = Node-SIDnP = no penultimate hop POP
    
```

```
E = Explicit-Null
V = Prefix-SID carries a value
L = value/index has local significance
=====
```

By default, the SR OS implementation sets the node SID (or *N*-flag) and no Penultimate hop PoP (or *nP*-flag) inside the prefix SID TLV. Another useful flag that can be set is the re-advertisement (or *R*-flag). The *R*-flag is set when a prefix SID is propagated between levels or areas, or redistribution is in place (from another protocol).

Prefix SID information can also be viewed within the IGP database attached to (extended) IP prefix reachability TLVs. For example, on PE-1, as follows:

```
*A:PE-1# show router isis database level 2 PE-1.00-00 detail

=====
Rtr Base ISIS Instance 0 Database (detail)
=====

Displaying Level 2 database
-----
LSP ID   : PE-1.00-00                      Level    : L2
Sequence : 0x5                               Checksum : 0xc83f  Lifetime : 1146
Version  : 1                                 Pkt Type : 20      Pkt Ver  : 1
Attributes: L1L2                            Max Area : 3      Alloc Len: 1492
SYS ID   : 1920.0000.2001                   SysID Len: 6      Used Len : 254

TLVs :
  Supp Protocols:
    Protocols      : IPv4
  IS-Hostname    : PE-1
  Router ID     :
    Router ID     : 192.0.2.1
  Router Cap   : 192.0.2.1, D:0, S:0
  TE Node Cap  : B E M P
  SR Cap       : IPv4 MPLS-IPv6
    SRGB Base:20000, Range:100
  SR ALg       : metric based SPF
  Node MSD Cap: BMI : 12 ERLD : 15
---snip---
  Internal Reach:
---snip---
  Default Metric: (I) 0
  Delay Metric  : (I) 0
  Expense Metric: (I) 0
  Error Metric  : (I) 0
  IP Address    : 192.0.2.1
  IP Mask       : 255.255.255.255
  I/F Addresses :
  I/F Address   : 192.0.2.1
---snip---
  TE IP Reach   :
---snip---
  Default Metric : 0
  Control Info:  S, prefLen 32
  Prefix        : 192.0.2.1
  Sub TLV       :
    Prefix-SID Index:1, Algo:0, Flags:NnP
Level (2) LSP Count : 1
-----
---snip---
Prefix-SID Flags : R = Re-advertisement Flag
N = Node-SID FlagnP = no penultimate hop POP
```

```

E = Explicit-Null Flag
V = Prefix-SID carries a value
L = value/index has local significance
---snip---
=====

```

After enabling the SR context within the IGP instance, adjacency SIDs are also automatically assigned and advertised for each formed adjacency over an IP interface. From a data plane perspective, one local adjacency SID consumes one ILM entry, programming a pop operation.

Similar to prefix SIDs, adjacency SID information can be viewed within the IGP database attached to IS neighbor TLVs, as follows:

```

*A:PE-1# show router isis database level 2 PE-1.00-00 detail
=====
Rtr Base ISIS Instance 0 Database (detail)
=====

Displaying Level 2 database
-----
LSP ID       : PE-1.00-00                Level       : L2
Sequence    : 0x5                       Checksum    : 0xc83f   Lifetime    : 1146
Version     : 1                         Pkt Type    : 20       Pkt Ver     : 1
Attributes  : L1L2                       Max Area    : 3         Alloc Len   : 1492
SYS ID      : 1920.0000.2001             SysID Len   : 6         Used Len    : 254

TLVs :
  Supp Protocols:
    Protocols      : IPv4
  IS-Hostname     : PE-1
  Router ID      :
    Router ID      : 192.0.2.1
---snip---
  IS Neighbors   :
    Virtual Flag   : 0
    Default Metric: (I) 10
    Delay Metric  : (I) 0
    Expense Metric: (I) 0
    Error Metric  : (I) 0
    Neighbor      : PE-2.00
  IS Neighbors   :
    Virtual Flag   : 0
    Default Metric: (I) 10
    Delay Metric  : (I) 0
    Expense Metric: (I) 0
    Error Metric  : (I) 0
    Neighbor      : PE-7.00
  Internal Reach:
    Default Metric: (I) 10
    Delay Metric  : (I) 0
    Expense Metric: (I) 0
    Error Metric  : (I) 0
    IP Address    : 192.168.12.0
    IP Mask       : 255.255.255.252
    Default Metric: (I) 10
    Delay Metric  : (I) 0
    Expense Metric: (I) 0
    Error Metric  : (I) 0
    IP Address    : 192.168.17.0
    IP Mask       : 255.255.255.252
---snip---

```



```

I/F Addresses :
---snip---
  I/F Address   : 192.168.12.1
  I/F Address   : 192.168.17.1
  TE IS Nbrs   :
    Nbr        : PE-2.00
    Default Metric : 10
    Sub TLV Len  : 19
    IF Addr     : 192.168.12.1
    Nbr IP      : 192.168.12.2
Adj-SID: Flags:v4VL Weight:0 Label:524287
  TE IS Nbrs   :
    Nbr        : PE-7.00
    Default Metric : 10
    Sub TLV Len  : 19
    IF Addr     : 192.168.17.1
    Nbr IP      : 192.168.17.2
Adj-SID: Flags:v4VL Weight:0 Label:524286
  TE IP Reach  :
    Default Metric : 10
    Control Info:   , prefLen 30
    Prefix        : 192.168.12.0
    Default Metric : 10
    Control Info:   , prefLen 30
    Prefix        : 192.168.17.0
---snip---

Level (2) LSP Count : 1
-----
---snip---
Adj-SID Flags      : v4/v6 = IPv4 or IPv6 Address-Family
                      B = Backup Flag
                      V = Adj-SID carries a value L = value/index has local significance
                      S = Set of Adjacencies
                      P = Persistently allocated
---snip---
=====

```

By default, the SR OS implementation sets the value (V-flag), meaning that the adjacency SID carries a value (as opposed to an index). Also, the local L-flag is set by default, meaning that the adjacency SID has only local significance. The v4-flag set to 0 means that the adjacency SID references to an adjacency with outgoing IPv4 encapsulation.

Another way to display adjacency SID information is using the **show router isis adjacency detail** command.

```

*A:PE-1# show router isis adjacency "int-PE-1-PE-2" detail
=====
Rtr Base ISIS Instance 0 Adjacency (detail)
=====
Hostname       : PE-2
SystemID      : 1920.0000.2002
Interface     : int-PE-1-PE-2
State         : Up
Nbr Sys Typ   : L2
Hold Time     : 24
Adj Level     : L2
Topology      : Unicast
SNPA          : 04:14:01:01:00:02
Up Time       : 0d 00:07:15
Priority       : 0
L. Circ Typ   : L2
Max Hold      : 27
MT Enabled    : No

IPv6 Neighbor  : ::
IPv4 Neighbor  : 192.168.12.2
IPv4 Adj SID   : Label 524287

```

```
Restart Support : Disabled
Restart Status : Not currently being helped
Restart Supressed : Disabled
Number of Restarts: 0
Last Restart at : Never

=====

*A:PE-1# show router isis adjacency "int-PE-1-PE-7" detail

=====
Rtr Base ISIS Instance 0 Adjacency (detail)
=====
Hostname      : PE-7
SystemID      : 1920.0000.2007                SNPA      : 04:27:01:01:00:01
Interface     : int-PE-1-PE-7                Up Time   : 0d 00:05:55
State         : Up                          Priority   : 0
Nbr Sys Typ   : L2                          L. Circ Typ : L2
Hold Time     : 23                          Max Hold  : 27
Adj Level     : L2                          MT Enabled : No
Topology      : Unicast

IPv6 Neighbor : ::
IPv4 Neighbor : 192.168.17.2
IPv4 Adj SID  : Label 524286
Restart Support : Disabled
Restart Status : Not currently being helped
Restart Supressed : Disabled
Number of Restarts: 0
Last Restart at : Never

=====
```

Finally, when enabling the SR context within the IGP instance, the SR module resolves received prefixes with prefix SID sub-TLVs present. As a result, MPLS data plane resources are consumed. The ILM is programmed with a swap operation and the label-to-next-hop-label-forwarding-entry (LTN) with a push operation, both pointing to the primary and/or LFA next-hop label forwarding entry (NHLFE). Also, an SR tunnel is added in the Tunnel Table Manager (TTM). As a result, an SR shortest path tunnel is set up to each other router that is part of the SR domain. Now, SR shortest path tunnels can be used for all users of TTM.

Example 1: VPRN service with LFA and RLFA enabled

In the network topology of [Figure 49: Example topology](#), no LDP and RSVP-TE signaling protocols are enabled. Each router of the SR domain has a full mesh of SR shortest path tunnels to the other routers, and no LDP and RSVP-TE LSPs are present. For example, on PE-1, the TTM looks as follows:

```
*A:PE-1# show router tunnel-table

=====
IPv4 Tunnel Table (Router: Base)
=====
Destination      Owner      Encap TunnelId  Pref  Nexthop      Metric
Color
-----
192.0.2.2/32     isis (0)  MPLS  524291   11   192.168.12.2  10
192.0.2.3/32     isis (0)  MPLS  524292   11   192.168.12.2  20
192.0.2.4/32     isis (0)  MPLS  524293   11   192.168.12.2  30
192.0.2.5/32     isis (0)  MPLS  524294   11   192.168.17.2  30
192.0.2.6/32     isis (0)  MPLS  524295   11   192.168.17.2  20
192.0.2.7/32     isis (0)  MPLS  524296   11   192.168.17.2  10
```

```

192.168.12.2/32      isis (0)  MPLS  524289   11   192.168.12.2   0
192.168.17.2/32    isis (0)  MPLS  524290   11   192.168.17.2   0
-----
Flags: B = BGP or MPLS backup hop available
      L = Loop-Free Alternate (LFA) hop available
      E = Inactive best-external BGP route
      k = RIB-API or Forwarding Policy backup hop
=====

```

The objective is to configure a VPRN between PE-1 and PE-7, using SR shortest path tunnels as transport tunnel. The configuration is as follows:

```

# on PE-1:
configure
  service
    vprn 100 name "VPRN 100" customer 1 create
    autonomous-system 64496
    interface "loopback" create
      address 192.0.1.1/32
      loopback
    exit
    bgp-ipvpn
      mpls
        auto-bind-tunnel
          resolution any
        exit
        route-distinguisher 64496:10001
        vrf-target target:64496:100
        no shutdown
      exit
    exit
  no shutdown

```

```

# on PE-7:
configure
  service
    vprn 100 name "VPRN 100" customer 1 create
    autonomous-system 64496
    interface "loopback" create
      address 192.0.1.7/32
      loopback
    exit
    bgp-ipvpn
      mpls
        auto-bind-tunnel
          resolution any
        exit
        route-distinguisher 64496:10007
        vrf-target target:64496:100
        no shutdown
      exit
    exit
  no shutdown

```

Within the VPRN service configuration, a loopback interface is created on both PEs to verify the transport mechanism. Tunnel information displaying the MPLS label value is retrieved using the **show router fp-tunnel-table <slot number>** command, as follows:

```

*A:PE-1# show router fp-tunnel-table 1 192.0.2.7/32
=====

```

IPv4 Tunnel Table Display

```

Legend:
label stack is ordered from bottom-most to top-most
B - FRR Backup
=====
Destination                                Protocol      Tunnel-ID
 Lbl
  NextHop
 Lbl      (backup)
  NextHop  (backup)
-----
192.0.2.7/32                               SR-ISIS-0    524296
 20007
 192.168.17.2                               1/1/2
-----
Total Entries : 1
=====

```

This means that, when traffic arrives on PE-1, the MPLS label 20007 is pushed to reach destination PE-7. Because, in this example, the prefix SID index range global mode is used, the value 20007 comes from the start label on PE-7 (first label of the SRGB, which is 20000, plus the configured index value of node SID PE-7 (7)), so 20007.

Enabling prefix LFA within the **isis 0** context on PE-1 will enable LFA/FRR protection. Next-hop LFA protection is present for node PE-4, node PE-5, and the link between PE-4 and PE-5, as follows:

```

# on PE-1:
configure
  router Base
    isis 0
      loopfree-alternates

```

```
*A:PE-1# show router isis lfa-coverage
```

```

=====
Rtr Base ISIS Instance 0 LFA Coverage
=====
Topology          Level  Node          IPv4          IPv6
-----
IPV4 Unicast      L1     0/0(0%)       3/11(27%)    0/0(0%)
IPV6 Unicast      L1     0/0(0%)       0/0(0%)      0/0(0%)
IPV4 Multicast    L1     0/0(0%)       0/0(0%)      0/0(0%)
IPV6 Multicast    L1     0/0(0%)       0/0(0%)      0/0(0%)
IPV4 Unicast     L2    2/6(33%)    3/11(27%)  0/0(0%)
IPV6 Unicast      L2     0/0(0%)       0/0(0%)      0/0(0%)
IPV4 Multicast    L2     0/0(0%)       0/0(0%)      0/0(0%)
IPV6 Multicast    L2     0/0(0%)       0/0(0%)      0/0(0%)
=====

```

```
*A:PE-1# show router route-table alternative
```

```

=====
Route Table (Router: Base)
=====
Dest Prefix[Flags]                Type  Proto  Age      Pref
  Next Hop[Interface Name]
  Alt-NextHop                      Metric
                                     Alt-
                                     Metric
-----

```

192.0.2.1/32	Local	Local	00h15m15s	0
system			0	
192.0.2.2/32	Remote	ISIS	00h09m15s	18
192.168.12.2			10	
192.0.2.3/32	Remote	ISIS	00h09m13s	18
192.168.12.2			20	
192.0.2.4/32	Remote	ISIS	00h09m11s	18
192.168.12.2			30	
192.168.17.2 (LFA)			40	
192.0.2.5/32	Remote	ISIS	00h09m07s	18
192.168.17.2			30	
192.168.12.2 (LFA)			40	
192.0.2.6/32	Remote	ISIS	00h09m07s	18
192.168.17.2			20	
192.0.2.7/32	Remote	ISIS	00h09m07s	18
192.168.17.2			10	
192.168.12.0/30	Local	Local	00h15m15s	0
int-PE-1-PE-2			0	
192.168.17.0/30	Local	Local	00h15m15s	0
int-PE-1-PE-7			0	
192.168.23.0/30	Remote	ISIS	00h14m59s	18
192.168.12.2			20	
192.168.34.0/30	Remote	ISIS	00h14m43s	18
192.168.12.2			30	
192.168.45.0/30	Remote	ISIS	00h14m26s	18
192.168.12.2			40	
192.168.17.2 (LFA)			50	
192.168.56.0/30	Remote	ISIS	00h13m39s	18
192.168.17.2			30	
192.168.67.0/30	Remote	ISIS	00h13m39s	18
192.168.17.2			20	

No. of Routes: 14
 Flags: n = Number of times nexthop is repeated
 Backup = BGP backup route
LFA = Loop-Free Alternate nexthop S = Sticky ECMP requested

=====

*A:PE-1# show router fp-tunnel-table 1

=====
 IPv4 Tunnel Table Display

Legend:
 label stack is ordered from bottom-most to top-most
 B - FRR Backup

Destination	Protocol	Tunnel-ID
Lbl		
NextHop		Intf/Tunnel
Lbl (backup)		
NextHop (backup)		

192.0.2.2/32	SR-ISIS-0	524291
20002		
192.168.12.2		1/1/1
192.0.2.3/32	SR-ISIS-0	524292
20003		
192.168.12.2		1/1/1
192.0.2.4/32	SR-ISIS-0	524293
20004		
192.168.12.2		1/1/1
20004		

```

192.168.17.2(B)
192.0.2.5/32          SR-ISIS-0          1/1/2
20005                524294
192.168.17.2
20005                1/1/2
192.168.12.2(B)
192.0.2.6/32          SR-ISIS-0          1/1/1
20006                524295
192.168.17.2
192.0.2.7/32          SR-ISIS-0          1/1/2
20007                524296
192.168.17.2
192.168.12.2/32      SR                1/1/2
3                    524289
192.168.12.2
192.168.17.2/32      SR                1/1/1
3                    524290
192.168.17.2                1/1/2
-----
Total Entries : 8
-----
=====

```

*A:PE-1# show router tunnel-table detail

```

=====
Tunnel Table (Router: Base)
=====
Destination      : 192.0.2.2/32
NextHop          : 192.168.12.2
Tunnel Flags     : entropy-label-capable
Age              : 00h01m26s
CBF Classes      : (Not Specified)
Owner            : isis (0)           Encap           : MPLS
Tunnel ID        : 524291            Preference      : 11
Tunnel Label     : 20002            Tunnel Metric   : 10
Tunnel MTU       : 1560            Max Label Stack : 1
-----
Destination      : 192.0.2.3/32
NextHop          : 192.168.12.2
Tunnel Flags     : entropy-label-capable
Age              : 00h01m26s
CBF Classes      : (Not Specified)
Owner            : isis (0)           Encap           : MPLS
Tunnel ID        : 524292            Preference      : 11
Tunnel Label     : 20003            Tunnel Metric   : 20
Tunnel MTU       : 1560            Max Label Stack : 1
-----
Destination      : 192.0.2.4/32 [L]
NextHop          : 192.168.12.2
Tunnel Flags   : has-lfa entropy-label-capable
Age              : 00h01m25s
CBF Classes      : (Not Specified)
Owner            : isis (0)           Encap           : MPLS
Tunnel ID        : 524293            Preference      : 11
Tunnel Label     : 20004            Tunnel Metric   : 30
Tunnel MTU       : 1560            Max Label Stack : 1
-----
Destination      : 192.0.2.5/32 [L]
NextHop          : 192.168.17.2
Tunnel Flags   : has-lfa entropy-label-capable
Age              : 00h01m25s
CBF Classes      : (Not Specified)

```

```

Owner       : isis (0)           Encap       : MPLS
Tunnel ID   : 524294            Preference  : 11
Tunnel Label : 20005            Tunnel Metric : 30
Tunnel MTU  : 1560             Max Label Stack : 1
-----
Destination : 192.0.2.6/32
NextHop     : 192.168.17.2
Tunnel Flags : entropy-label-capable
Age         : 00h01m26s
CBF Classes : (Not Specified)
Owner       : isis (0)           Encap       : MPLS
Tunnel ID   : 524295            Preference  : 11
Tunnel Label : 20006            Tunnel Metric : 20
Tunnel MTU  : 1560             Max Label Stack : 1
-----
Destination : 192.0.2.7/32
NextHop     : 192.168.17.2
Tunnel Flags : entropy-label-capable
Age         : 00h01m26s
CBF Classes : (Not Specified)
Owner       : isis (0)           Encap       : MPLS
Tunnel ID   : 524296            Preference  : 11
Tunnel Label : 20007            Tunnel Metric : 10
Tunnel MTU  : 1560             Max Label Stack : 1
-----
Destination : 192.168.12.2/32
NextHop     : 192.168.12.2
Tunnel Flags : is-adjacency-tunnel
Age         : 00h01m26s
CBF Classes : (Not Specified)
Owner       : isis (0)           Encap       : MPLS
Tunnel ID   : 524289            Preference  : 11
Tunnel Label : 3                Tunnel Metric : 0
Tunnel MTU  : 1560             Max Label Stack : 1
-----
Destination : 192.168.17.2/32
NextHop     : 192.168.17.2
Tunnel Flags : is-adjacency-tunnel
Age         : 00h01m26s
CBF Classes : (Not Specified)
Owner       : isis (0)           Encap       : MPLS
Tunnel ID   : 524290            Preference  : 11
Tunnel Label : 3                Tunnel Metric : 0
Tunnel MTU  : 1560             Max Label Stack : 1
-----
Number of tunnel-table entries      : 8
Number of tunnel-table entries with LFA : 2
=====

```

When a failure occurs on the primary SR path (only applicable for prefix PE-4/PE-5 and the link between PE-4 and PE-5), the traffic takes the LFA backup SR path to the destination using the same MPLS label value.

To extend the LFA/FRR coverage, for example, to find an LFA protection for node PE-7, which is one of the VPRN service endpoints, RLFA can be enabled. RLFA creates a virtual LFA by using a repair tunnel to carry packets to a point in the network from where they will not be looped back to the source, but forwarded (SPF-based) toward the destination prefix.

The RLFA implementation uses the PQ algorithm. The node where RLFA is configured (PE-1 in this example) computes an extended P-space and a Q-space. The intersection of both spaces is called the PQ-node. This PQ node is the destination node of the repair tunnel using an SR shortest path tunnel. To compute both spaces, SPF is used.

In this example, IS-IS is used as the IGP, using a default metric value of 10 for all links. With the assumption that the link between PE-1 and PE-7 is broken, the calculation of both the extended P-space and the Q-space at PE-1 is as follows:

- extended P-space — An SPF computed from node PE-1 and rooted at PE-2. It is used to calculate the set of routers that are reachable without any path transiting the protected link between PE-1 and PE-7. The following nodes belong to the extended P-space: PE-2, PE-3, PE-4, and PE-5.
- Q-space — A reverse SPF computed from PE-1 and rooted from PE-7 (acting as destination proxy). It is used to calculate the set of routers that can reach PE-7 without transiting the protected link between PE-1 and PE-7. The nodes PE-4, PE-5, and PE-6 belong to the Q-space.

Possible PQ-nodes are PE-4 or PE-5, because they are in the intersection of both spaces.

RLFA is configured as follows:

```
# on PE-1:
configure
  router Base
    isis 0
      loopfree-alternates
      remote-lfa
```

The nodes PE-2, PE-3, PE-6, and PE-7 now have RLFA protection, whereas PE-4 and PE-5 have LFA protection.

```
*A:PE-1# show router fp-tunnel-table 1
```

```
=====  
IPv4 Tunnel Table Display
```

```
Legend:  
label stack is ordered from bottom-most to top-most  
B - FRR Backup
```

```
=====  
Destination                                     Protocol      Tunnel-ID  
Lbl  
NextHop  
Lbl (backup)                                     Intf/Tunnel  
NextHop (backup)  
-----  
192.0.2.2/32                                     SR-ISIS-0    524291  
20002  
192.168.12.2                                     1/1/1  
20002/20005  
192.168.17.2(B)                                 1/1/2  
192.0.2.3/32                                     SR-ISIS-0    524292  
20003  
192.168.12.2                                     1/1/1  
20003/20005  
192.168.17.2(B)                                 1/1/2  
192.0.2.4/32                                     SR-ISIS-0    524293  
20004  
192.168.12.2                                     1/1/1  
20004  
192.168.17.2(B)                                 1/1/2  
192.0.2.5/32                                     SR-ISIS-0    524294  
20005  
192.168.17.2                                     1/1/2  
20005  
192.168.12.2(B)                                 1/1/1  
192.0.2.6/32                                     SR-ISIS-0    524295
```



```

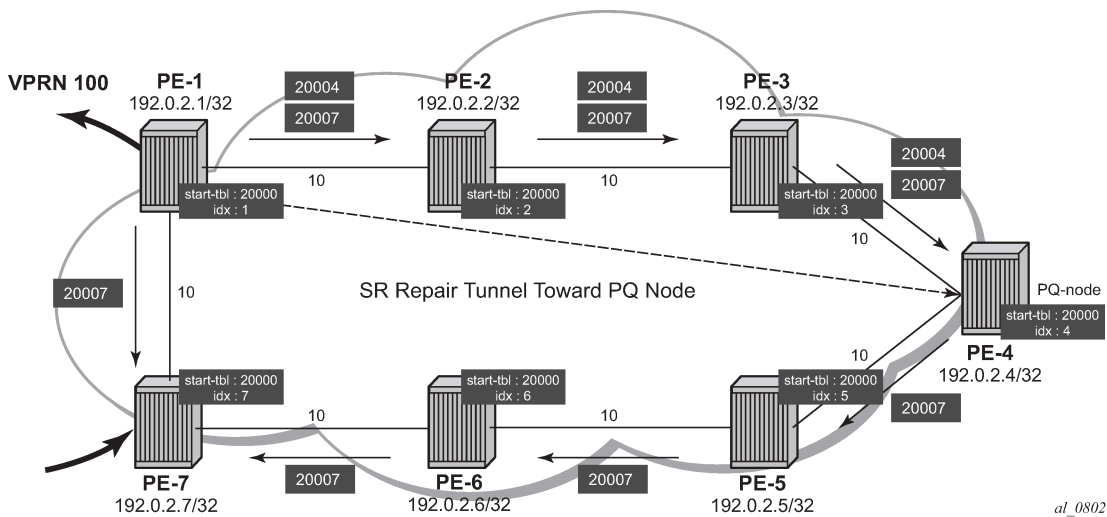
20006
 192.168.17.2                                     1/1/2
20006/20004
 192.168.12.2(B)                                1/1/1
192.0.2.7/32                                     SR-ISIS-0    524296
20007
 192.168.17.2                                     1/1/2
20007/20004
 192.168.12.2(B)                                1/1/1
192.168.12.2/32                                 SR           524289
 3
 192.168.12.2                                     1/1/1
20002/20005
 192.168.17.2(B)                                1/1/2
192.168.17.2/32                                 SR           524290
 3
 192.168.17.2                                     1/1/2
20007/20004
 192.168.12.2(B)                                1/1/1
-----
Total Entries : 8
-----
=====

```

The main difference between normal prefix LFA and RLFA is that for RLFA a two-MPLS label stack is pushed by the head-end node (PE-1). The top label is the SR-label to reach the PQ node (for example, 20004 for PE-4) and the bottom label is the SR-label to reach the destination node (for example, 20007 for PE-7). The notation inside the show command is bottom-label/top-label.

Figure 50: RLFA traffic path during protection illustrates the RLFA traffic path protecting the link between PE-1 and PE-7:

Figure 50: RLFA traffic path during protection



Inside the TTM, a tunnel-flag, *has-lfa*, is set for all destination nodes that have LFA protection available. The last two tunnels are adjacency tunnels and have in addition the flag *is-adjacency-tunnel*.

```
*A:PE-1# show router tunnel-table detail
```

```
=====
Tunnel Table (Router: Base)
```

```

=====
Destination      : 192.0.2.2/32 [L]
NextHop         : 192.168.12.2
Tunnel Flags   : has-lfa entropy-label-capable
Age             : 00h00m39s
CBF Classes     : (Not Specified)
Owner           : isis (0)           Encap           : MPLS
Tunnel ID       : 524291             Preference      : 11
Tunnel Label    : 20002             Tunnel Metric   : 10
Tunnel MTU      : 1556             Max Label Stack : 2
-----

Destination      : 192.0.2.3/32 [L]
NextHop         : 192.168.12.2
Tunnel Flags   : has-lfa entropy-label-capable
Age             : 00h00m39s
CBF Classes     : (Not Specified)
Owner           : isis (0)           Encap           : MPLS
Tunnel ID       : 524292             Preference      : 11
Tunnel Label    : 20003             Tunnel Metric   : 20
Tunnel MTU      : 1556             Max Label Stack : 2
-----

Destination      : 192.0.2.4/32 [L]
NextHop         : 192.168.12.2
Tunnel Flags   : has-lfa entropy-label-capable
Age             : 00h00m40s
CBF Classes     : (Not Specified)
Owner           : isis (0)           Encap           : MPLS
Tunnel ID       : 524294             Preference      : 11
Tunnel Label    : 20005             Tunnel Metric   : 30
Tunnel MTU      : 1556             Max Label Stack : 2
-----

Destination      : 192.0.2.6/32 [L]
NextHop         : 192.168.17.2
Tunnel Flags   : has-lfa entropy-label-capable
Age             : 00h00m39s
CBF Classes     : (Not Specified)
Owner           : isis (0)           Encap           : MPLS
Tunnel ID       : 524295             Preference      : 11
Tunnel Label    : 20006             Tunnel Metric   : 20
Tunnel MTU      : 1556             Max Label Stack : 2
-----

Destination      : 192.0.2.7/32 [L]
NextHop         : 192.168.17.2
Tunnel Flags   : has-lfa entropy-label-capable
Age             : 00h00m39s
CBF Classes     : (Not Specified)
Owner           : isis (0)           Encap           : MPLS
Tunnel ID       : 524296             Preference      : 11
Tunnel Label    : 20007             Tunnel Metric   : 10
Tunnel MTU      : 1556             Max Label Stack : 2
-----

Destination      : 192.168.12.2/32 [L]
NextHop         : 192.168.12.2
Tunnel Flags   : has-lfa is-adjacency-tunnel
Age             : 00h00m39s
CBF Classes     : (Not Specified)
Owner           : isis (0)           Encap           : MPLS
Tunnel ID       : 524289             Preference      : 11
Tunnel Label    : 3                 Tunnel Metric   : 0
Tunnel MTU      : 1556             Max Label Stack : 2
-----

Destination      : 192.168.17.2/32 [L]
NextHop         : 192.168.17.2
Tunnel Flags   : has-lfa is-adjacency-tunnel

```

```

Age           : 00h00m39s
CBF Classes  : (Not Specified)
Owner        : isis (0)           Encap           : MPLS
Tunnel ID    : 524290             Preference      : 11
Tunnel Label : 3                  Tunnel Metric   : 0
Tunnel MTU   : 1556              Max Label Stack: 2
-----
Number of tunnel-table entries : 8
Number of tunnel-table entries with LFA : 8
=====
    
```

Verification of the loopback address configured within the VPRN service context on PE-7 (using loopback address 192.0.1.7/32) shows that an SR shortest path tunnel is used as the transport mechanism:

```

*A:PE-1# show router 100 route-table 192.0.1.7/32 extensive
=====
Route Table (Service: 100)
=====
Dest Prefix      : 192.0.1.7/32
Protocol         : BGP_VPN
Age              : 00h00m40s
Preference       : 170
Indirect Next-Hop : 192.0.2.7
Label            : 524285
QoS              : Priority=n/c, FC=n/c
Source-Class     : 0
Dest-Class       : 0
ECMP-Weight      : N/A
Resolving Next-Hop : 192.0.2.7 (SR-ISIS tunnel:524296)
Label            : 524285
Metric           : 10
ECMP-Weight      : N/A
-----
No. of Destinations: 1
=====
    
```

Example 2: TTM preference with VPRN service

The following example is a variant on the previous example. The difference in this example is that, in addition to SR, LDP and RSVP-TE are also enabled between PE-1 and PE-7. A single RSVP LSP is configured originating at PE-1 and terminating at PE-7.

The objective of this example is to show the difference in protocol preference within TTM and how to influence the default behavior. This can be useful in case of migration scenarios from a non-SR environment toward a hybrid environment having LDP/RSVP and SR enabled.

In the following example, LFA/RLFA is no longer configured on the PE-1 node:

```

# on PE-1:
configure
router Base
isis 0
no loopfree-alternates

# on PE-1:
configure
router Base
mpls
interface "int-PE-1-PE-7"
    
```

```

    exit
    path "dyn"
    no shutdown
  exit
  lsp "LSP-PE-1-PE-7"
  to 192.0.2.7
  primary "dyn"
  exit
  no shutdown
exit
no shutdown
exit
rsvp
no shutdown
exit
ldp
  interface-parameters
  interface "int-PE-1-PE-7" dual-stack
  ipv4
  no shutdown
  exit
  no shutdown
  exit
exit
exit

```

```

# on PE-7:
configure
  router Base
  mpls
  interface "int-PE-7-PE-1"
  exit
  no shutdown
exit
rsvp
no shutdown
exit
ldp
  interface-parameters
  interface "int-PE-7-PE-1" dual-stack
  ipv4
  no shutdown
  exit
  no shutdown
  exit
exit
exit

```

By enabling LDP and RSVP between PE-1 and PE-7, the TTM on both nodes changed. With the VPRN service between PE-1 and PE-7 of example 1, only those two specific service endpoints are displayed:

```
*A:PE-1# show router tunnel-table 192.0.2.7
```

```

=====
IPv4 Tunnel Table (Router: Base)
=====
Destination      Owner      Encap TunnelId  Pref  Nexthop      Metric
Color
-----
192.0.2.7/32     rsvp      MPLS    1        7    192.168.17.2  10
192.0.2.7/32     ldp       MPLS    65537    9    192.168.17.2  10
192.0.2.7/32     isis (0)  MPLS    524296   11   192.168.17.2  10

```

```

=====
Flags: B = BGP or MPLS backup hop available
      L = Loop-Free Alternate (LFA) hop available
      E = Inactive best-external BGP route
      k = RIB-API or Forwarding Policy backup hop
=====

*A:PE-7# show router tunnel-table 192.0.2.1

=====
IPv4 Tunnel Table (Router: Base)
=====
Destination          Owner      Encap TunnelId  Pref  Nexthop      Metric
  Color
-----
192.0.2.1/32         ldp        MPLS  65537    9    192.168.17.1  10
192.0.2.1/32         isis (0)   MPLS  524293  11    192.168.17.1  10
-----
Flags: B = BGP or MPLS backup hop available
      L = Loop-Free Alternate (LFA) hop available
      E = Inactive best-external BGP route
      k = RIB-API or Forwarding Policy backup hop
=====

```

On node PE-1, an RSVP LSP, an LDP LSP, and an SR shortest path tunnel (using IS-IS) are present. Because the VPRN service has **auto-bind-tunnel resolution any** enabled, the protocol type with the highest TTM preference (meaning the lowest absolute preference value in TTM) is taken; in this case, the RSVP LSP. This can be verified for the configured loopback address within the VPRN service context, as follows:

```

*A:PE-1# show router 100 route-table 192.0.1.7/32 extensive

=====
Route Table (Service: 100)
=====
Dest Prefix          : 192.0.1.7/32
Protocol             : BGP_VPN
Age                  : 00h01m07s
Preference           : 170
Indirect Next-Hop    : 192.0.2.7
Label                : 524285
QoS                  : Priority=n/c, FC=n/c
Source-Class         : 0
Dest-Class           : 0
ECMP-Weight          : N/A
Resolving Next-Hop : 192.0.2.7 (RSVP tunnel:1)
Label                : 524285
Metric               : 10
ECMP-Weight          : N/A
-----
No. of Destinations: 1
=====

```

On node PE-7, only an LDP LSP and an SR shortest path tunnel (using IS-IS) are present. Because the VPRN service has **auto-bind-tunnel resolution any** enabled, the protocol type with highest TTM preference (meaning the lowest absolute preference value in TTM) is taken; in this case, the LDP LSP. This can be verified for the configured loopback address within the VPRN service context, as follows:

```

*A:PE-7# show router 100 route-table 192.0.1.1/32 extensive

```

```

=====
Route Table (Service: 100)
=====
Dest Prefix      : 192.0.1.1/32
Protocol         : BGP_VPN
Age              : 00h01m35s
Preference      : 170
Indirect Next-Hop : 192.0.2.1
Label           : 524285
QoS             : Priority=n/c, FC=n/c
Source-Class    : 0
Dest-Class      : 0
ECMP-Weight     : N/A
Resolving Next-Hop : 192.0.2.1 (LDP tunnel)
Label          : 524285
Metric          : 10
ECMP-Weight     : N/A
-----
No. of Destinations: 1
=====

```

Some configuration changes are possible to change this default behavior:

- It is possible to change the **auto-bind-tunnel resolution any** command into **auto-bind-tunnel resolution filter**. Because this is a service-specific parameter, the operator has the choice to only configure this on one specific service endpoint. From a migration point of view, a smooth and easy SR migration is possible, not affecting any other deployed services on this node.
- It is possible to change the SR tunnel-table protocol preference on a node. From a migration point of view, this affects all services initiating on this node.

Using the current example, PE-1 implements the auto-bind-tunnel change (option 1), while PE-7 implements the TTM preference change (option 2).

A **resolution-filter** CLI context within VPRN service 100 on node PE-1 must be created. The example uses a **resolution-filter** context, which uses a filter to only allow SR shortest path tunnels (IS-IS based). The **auto-bind-tunnel resolution any** command is changed into **resolution filter** on PE-1, as follows:

```

# on PE-1:
configure
  service
    vprn "VPRN 100"
      bgp-ipvpn
      mpls
      auto-bind-tunnel
      resolution-filter
      sr-isis
      exit
      resolution filter
    exit

```

As a result, the RSVP LSP is no longer used. Instead, the SR shortest path tunnel is used for the traffic from PE-1 to PE-7:

```

*A:PE-1# show router 100 route-table 192.0.1.7/32 extensive
=====
Route Table (Service: 100)
=====
Dest Prefix      : 192.0.1.7/32

```

```

Protocol          : BGP_VPN
Age               : 00h00m12s
Preference       : 170
Indirect Next-Hop : 192.0.2.7
Label            : 524285
QoS              : Priority=n/c, FC=n/c
Source-Class     : 0
Dest-Class      : 0
ECMP-Weight     : N/A
Resolving Next-Hop : 192.0.2.7 (SR-ISIS tunnel:524296)
Label           : 524285
Metric          : 10
ECMP-Weight    : N/A
    
```

```
-----
No. of Destinations: 1
=====
```

The VPRN service on node PE-7 is still using the LDP LSP as transport mechanism to reach node PE-1 at this point. Because the previous CLI change is only done within the VPRN service context 100 on PE-1, only the direction from PE-1 to PE-7 is affected.

Another way to influence the default TTM preference is shown as follows on the PE-7 node. Using the default behavior, the LDP LSP is used, because of the preference value of 9. If the SR tunnel table preference value is lowered to a value smaller than LDP, for instance 4, the SR shortest path tunnels originating on this node will always have preference compared to LDP LSP. On PE-7, the SR tunnel table preference is configured with a value of 4, as follows:

```

# on PE-7:
configure
  router Base
    isis 0
      segment-routing
      tunnel-table-pref 4
    
```

```
*A:PE-7# show router tunnel-table 192.0.2.1
```

```
=====
IPv4 Tunnel Table (Router: Base)
=====
```

Destination Color	Owner	Encap	TunnelId	Pref	Nexthop	Metric
192.0.2.1/32	isis (0)	MPLS	524293	4	192.168.17.1	10
192.0.2.1/32	ldp	MPLS	65537	9	192.168.17.1	10

```
-----
Flags: B = BGP or MPLS backup hop available
       L = Loop-Free Alternate (LFA) hop available
       E = Inactive best-external BGP route
       k = RIB-API or Forwarding Policy backup hop
=====
```

As a result, the LDP LSP is no longer used and the SR shortest path tunnel is the preferred transport tunnel:

```
*A:PE-7# show router 100 route-table 192.0.1.1/32 extensive
```

```
=====
Route Table (Service: 100)
=====
```

```
Dest Prefix          : 192.0.1.1/32
```

```

Protocol          : BGP_VPN
Age               : 00h00m44s
Preference       : 170
Indirect Next-Hop : 192.0.2.1
Label            : 524285
QoS              : Priority=n/c, FC=n/c
Source-Class     : 0
Dest-Class      : 0
ECMP-Weight     : N/A
Resolving Next-Hop : 192.0.2.1 (SR-ISIS tunnel:524293)
Label           : 524285
Metric          : 10
ECMP-Weight    : N/A
    
```

```
-----
No. of Destinations: 1
=====
```

At this point, within the VPRN service, the SR shortest path tunnels are used bidirectionally between PE-1 and PE-7.

If, for example, an operator configures explicit SDP binding within the same VPRN service on both endpoints, the explicit SDPs will always have preference. In this example, manual SDPs are configured on nodes PE-1 and PE-7, both using LDP, as follows:

```

# on PE-1:
configure
  service
    sdp 17 mpls create
      far-end 192.0.2.7
      ldp
      no shutdown
    exit
  vprn "VPRN 100"
    spoke-sdp 17 create
  exit
exit
    
```

```

# on PE-7:
configure
  service
    sdp 71 mpls create
      far-end 192.0.2.1
      ldp
      no shutdown
    exit
  vprn "VPRN 100"
    spoke-sdp 71 create
  exit
exit
    
```

As a result, SR shortest path tunnels are no longer used, but rather LDP-based SDPs are used instead:

```
*A:PE-1# show router 100 route-table 192.0.1.7/32 extensive
```

```
=====
Route Table (Service: 100)
=====
```

```

Dest Prefix      : 192.0.1.7/32
Protocol         : BGP_VPN
Age             : 00h01m11s
Preference      : 170
    
```



```

Indirect Next-Hop : 192.0.2.7
Label             : 524285
QoS               : Priority=n/c, FC=n/c
Source-Class     : 0
Dest-Class       : 0
ECMP-Weight      : N/A
Resolving Next-Hop : 192.0.2.7 (SDP tunnel:17)
Label            : 524285
Metric           : 0
ECMP-Weight      : N/A
-----
No. of Destinations: 1
=====

*A:PE-7# show router 100 route-table 192.0.1.1/32 extensive

Route Table (Service: 100)
=====
Dest Prefix      : 192.0.1.1/32
Protocol         : BGP_VPN
Age              : 00h01m40s
Preference      : 170
Indirect Next-Hop : 192.0.2.1
Label           : 524285
QoS             : Priority=n/c, FC=n/c
Source-Class    : 0
Dest-Class     : 0
ECMP-Weight     : N/A
Resolving Next-Hop : 192.0.2.1 (SDP tunnel:71)
Label          : 524285
Metric         : 0
ECMP-Weight    : N/A
-----
No. of Destinations: 1
=====

```

Conclusion

Segment Routing is a technique using extensions of the existing link state protocols, and using existing MPLS or IPv6 infrastructure as the data plane. It is a source routing technique similar to RSVP-TE, but without the need to run an extra signaling protocol. SR also avoids other scaling restrictions of associated RSVP-TE, such as midpoint state. SR is simple to control and operate because the intelligence and state are part of the packet, not held by the network. Other benefits are that SR can be introduced in an incremental way using different migration scenarios to assure a smooth transition.

SR-TE LSP Path Computation Using Local CSPF

This chapter describes the SR-TE LSP path computation using local CSPF.

Topics in this chapter include:

- [Applicability](#)
- [Overview](#)
- [Configuration](#)
- [Conclusion](#)

Applicability

This chapter was initially written for SR OS Release 19.10.R1, but the CLI in the current edition corresponds to SR OS Release 21.2.R1. Local CSPF can be used in IPv4 SR-TE LSP primary and secondary path computation in SR OS Release 19.7.R1, and later.

Overview

Segment Routing with Traffic Engineering Label Switched Paths (SR-TE LSPs) can be computed using:

- hop-to-label (IP-to-label) translation (default; **no path-computation-method**)
- Path Computation Element (PCE) path computation (**path-computation-method pce**)
- local Constrained Shortest Path First (CSPF) (**path-computation-method local-cspf**)

Hop-to-label path computation

SR-TE LSP path computation uses hop-to-label translation as the default computation method. The PCC interrogates the TE database, and translates any hop configured in the applied path statement to a Node SID (N-SID) or Adjacency SID (A-SID), to produce a list of segment IDs. Strict hops are mapped to adjacency SIDs; loose hops are mapped to node SIDs. The destination address in the LSP configuration implies a final loose hop.

PCE path computation

SR-TE LSP path computation can also be performed using an external PCE controller. In this case, the PCC maintains a Path Computation Element Protocol (PCEP) session with the PCE and the path computation is done as follows:

- the PCC sends a PCReq requesting a path
- the PCE replies with a PCReply including a path (if available). This path contains a segment list.

- Optionally, the PCC sends a path status report (PCRpt) to the PCE. However, the PCC may also delegate the control of the path to the PCE.

PCE path computation is supported for SR-TE LSPs, but not for SR-TE LSP templates. You cannot have PCE path computation for SR-TE LSPs that use LSP templates **one-hop-p2p-srte** or **mesh-p2p-srte** auto-LSPs. PCE path computation is not further treated in this chapter.

Local CSPF path computation

SR-TE LSP path computation using local CSPF can be used in single-area OSPFv2 or single-level IS-IS IGP instances. More complex LSP path computations, or when the network is expanded into multiple IGP areas or instances, require an external PCE.

One of the major changes to the SR-TE algorithm from RSVP-TE CSPF is that SR-TE does not require each router to be TE enabled: the links do not have to be TE links. Provided that the routers at each end of the link are SR enabled, local CSPF will calculate an end-to-end path.

Full CSPF path computation on the head-end router (PCC) results in a full explicit path to the destination. The PCC calculates an end-to-end path and the following applies:

- The computed path is a full explicit TE path.
- Each link is represented by an adjacency SID or adjacency set SID.
- CSPF returns a label stack list of adjacency SIDs or adjacency set SIDs.

Like RSVP-TE LSPs, an SR-TE LSP can be resigned when a timer expires or when an operator issues a `tools` command.

Paths computed by local CSPF contain an adjacency SID for each link in the path and the stack may contain numerous labels. If the **max-sr-labels** value may be exceeded or the maximum segment depth of a downstream router may be less than the calculated LSP label stack size, the label stack can be reduced. The label reduction capability can replace a series of adjacency SIDs with a node SID. For loose-hop path computation, node SIDs can be used or a combination of node and adjacency SIDs.

Local CSPF is supported on both primary and secondary standby paths of an SR-TE LSP. Local CSPF path calculation can be used for RSVP-TE LSP as well as for SR-TE LSP templates.

Local CSPF path computation and SR protected interfaces

When SR is enabled and IGP adjacency is established over a link, the router advertises an adjacency SID in the adjacency SID sub-TLV. When Loop-Free Alternate (LFA), Remote LFA (RLFA), or Topology-Independent LFA (TI-LFA) is enabled, protected adjacencies have the backup flag (B-flag) set in the adjacency SID sub-TLV. Each adjacency is available for SID protection when LFA, RLFA, or TI-LFA is enabled. It is possible to remove this on a specific link (**no sid-protection**).

Adjacency sets are specified in an adjacency-set sub-TLV as a single object. Adjacency sets never have the B-flag set and are always unprotected. However, each individual link in the adjacency set is protected. For more information about adjacency sets, see the chapter.

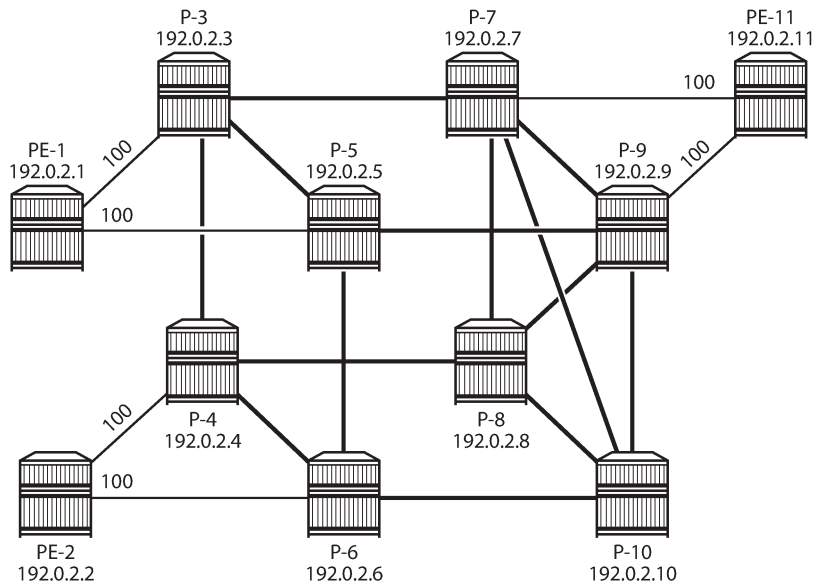
Local CSPF path calculation can set up a path that:

- only includes protected adjacencies (**local-sr-protection mandatory**)
- only includes unprotected adjacencies (**local-sr-protection none**)
- can include both protected and unprotected adjacencies (**local-sr-protection preferred/no local-sr-protection** (default))

Configuration

Figure 51: Example topology shows the example topology.

Figure 51: Example topology



35620

The initial configuration on each of the nodes includes:

- Cards, MDAs, ports
- Router interfaces
- IS-IS enabled on all router interfaces (alternatively, OSPFv2 can be used as IGP)
 - The interfaces in the core (between P-3, P-4, P-5, P-6, P-7, P-8, P-9, and P-10) have metric 10.
 - The access interfaces to and from PE-1, PE-2, and PE-11 have metric 100.
 - TE is enabled on the head-end routers.
- MPLS is enabled on the head-end routers.

For an in-depth description of the configuration of SR-IS-IS, see the [Segment Routing with IS-IS Control Plane](#) chapter. On PE-2, the IS-IS configuration is as follows:

```
# on PE-2:
configure
  router Base
    mpls-labels
      sr-labels start 32000 end 32999
    exit
  isis 0
    area-id 49.0001
    traffic-engineering
    advertise-router-capability area
    level 1
      wide-metrics-only
```

```

exit
level 2
  wide-metrics-only
exit
segment-routing
  prefix-sid-range global
  no shutdown
exit
interface "system"
  ipv4-node-sid index 2
  no shutdown
exit
interface "int-PE-2-P-4"
  interface-type point-to-point
  level 1
    metric 100
  exit
  level 2
    metric 100
  exit
  no shutdown
exit
interface "int-PE-2-P-6"
  interface-type point-to-point
  level 1
    metric 100
  exit
  level 2
    metric 100
  exit
  no shutdown
exit
no shutdown
exit

```

With this configuration, the node SID on PE-2 is $32000 + \text{index } 2 = 32002$. The configuration is similar on the other nodes.

On PE-2, the following SR-TE LSPs are configured toward PE-11:

- SR-TE LSP with empty path and:
 - hop-to-label path computation
 - local CSPF path computation without label stack reduction
 - local CSPF path computation with label stack reduction
- SR-TE LSP with path with two strict hops—P-4 and P-3—and:
 - hop-to-label path computation
 - local CSPF path computation without label stack reduction
 - local CSPF path computation with label stack reduction
- SR-TE LSP with path with two loose hops—P-3 and P-9—and:
 - hop-to-label path computation
 - local CSPF path computation without label stack reduction
 - local CSPF path computation with label stack reduction

SR-TE LSPs using empty path

The configuration of SR-TE LSPs is described in chapter [Segment Routing – Traffic Engineered Tunnels](#). On PE-2, the following SR-TE LSPs toward PE-11 are configured with an empty path. The path computation method is hop-to-label for the first SR-TE LSP and local CSPF for the second SR-TE LSP.

```
# on PE-2:
configure
router Base
mpls
  path "empty_path"
  no shutdown
  exit
  lsp "LSP-PE-2-PE-11_empty_path_hop-to-label" sr-te
  to 192.0.2.11
  no path-computation-method # default
  metric-type igp # default
  max-sr-labels 6 additional-frr-labels 2
  primary "empty_path"
  exit
  no shutdown
  exit
  lsp "LSP-PE-2-PE-11_empty_path_local-cspf" sr-te
  to 192.0.2.11
  path-computation-method local-cspf
  metric-type igp # default
  max-sr-labels 6 additional-frr-labels 2
  primary "empty_path"
  exit
  no shutdown
  exit
```

With hop-to-label path computation, the destination 192.0.2.11 is an implied loose hop that will be mapped to the node SID 32011 of the destination PE-11, as follows:

```
*A:PE-2# show router mpls sr-te-lsp "LSP-PE-2-PE-11_empty_path_hop-to-label" path detail

=====
MPLS SR-TE LSP LSP-PE-2-PE-11_empty_path_hop-to-label
Path (Detail)
=====
Legend :
  S      - Strict                L      - Loose
  A-SID  - Adjacency SID        N-SID  - Node SID
  +      - Inherited

-----
LSP SR-TE LSP-PE-2-PE-11_empty_path_hop-to-label
Path empty_path
-----
LSP Name      : LSP-PE-2-PE-11_empty_path_hop-to-label
Path LSP ID   : 42496
From          : 192.0.2.2
To            : 192.0.2.11
Admin State   : Up                Oper State    : Up
Path Name     : empty_path
Path Type     : Primary
Path Admin    : Up                Path Oper     : Up
Path Up Time  : 0d 00:02:13       Path Down Time : 0d 00:00:00
Retry Limit   : 0                 Retry Timer    : 30 sec
```

```

Retry Attempt      : 0                      Next Retry In     : 0 sec

PathCompMethod   : none                   OperPathCompMethod: none
MetricType        : igp                     Oper MetricType   : igp
LocalSrProt       : preferred               Oper LocalSrProt  : N/A
LabelStackRed     : Disabled                Oper LabelStackRed: N/A

Bandwidth         : No Reservation           Oper Bandwidth    : 0 Mbps
Hop Limit         : 255                     Oper HopLimit     : 255
Setup Priority    : 7                       Oper SetupPriority: 7
Hold Priority     : 0                       Oper HoldPriority  : 0
Inter-area       : N/A

PCE Updt ID      : 0                      PCE Updt State   : None
PCE Upd Fail Code: noError

PCE Report       : Disabled+               Oper PCE Report   : Disabled
PCE Control      : Disabled                Oper PCE Control  : Disabled

Include Groups   :                         Oper IncludeGroups:
None                                                     None
Exclude Groups  :                         Oper ExcludeGroups:
None                                                     None
Last Resignal   : n/a

IGP/TE Metric    : 16777215                Oper Metric       : 16777215
Oper MTU         : 8978                     Path Trans       : 1
Failure Code     : noError
Failure Node     : n/a
Explicit Hops    :
  No Hops Specified
Actual Hops      :
  192.0.2.11(192.0.2.11) (N-SID)           Record Label      : 32011

BFD Configuration and State
Template         : None                     Ping Interval    : N/A
Enable          : False                    State            : notApplicable
WaitForUpTimer  : 4 sec                   OperWaitForUpTimer: 0 sec
WaitForUpTmLeft : 0
StartFail Rsn   : N/A

=====

```

With local CSPF path computation, the SR-TE path contains contiguous strict hops with A-SIDs. Several ECMP paths are available and, in this case, the path goes from PE-2 via P-4, P-8, and P-7 to the destination PE-11, as follows:

```

*A:PE-2# show router mpls sr-te-lsp "LSP-PE-2-PE-11_empty_path_local-cspf" path detail

=====
MPLS SR-TE LSP LSP-PE-2-PE-11_empty_path_local-cspf
Path (Detail)
=====
Legend :
  S      - Strict                      L      - Loose
A-SID - Adjacency SID              N-SID - Node SID
  +      - Inherited

-----
LSP SR-TE LSP-PE-2-PE-11_empty_path_local-cspf
Path empty_path
-----
LSP Name      : LSP-PE-2-PE-11_empty_path_local-cspf

```

```

Path LSP ID      : 62464
From            : 192.0.2.2
To             : 192.0.2.11
Admin State    : Up
Path Name      : empty_path
Path Type      : Primary
Path Admin     : Up
Path Up Time   : 0d 00:02:13
Retry Limit    : 0
Retry Attempt  : 0
Oper State     : Up
Path Oper      : Up
Path Down Time: 0d 00:00:00
Retry Timer    : 30 sec
Next Retry In  : 0 sec

PathCompMethod : local-cspf
MetricType      : igp
LocalSrProt     : preferred
LabelStackRed   : Disabled
OperPathCompMethod: local-cspf
Oper MetricType : igp
Oper LocalSrProt : preferred
Oper LabelStackRed: Disabled

Bandwidth       : No Reservation
Hop Limit       : 255
Setup Priority   : 7
Hold Priority    : 0
Inter-area     : N/A
Oper Bandwidth  : 0 Mbps
Oper HopLimit   : 255
Oper SetupPriority: 7
Oper HoldPriority : 0

---snip---

IGP/TE Metric   : 220
Oper MTU        : 8966
Failure Code    : noError
Failure Node    : n/a
Explicit Hops   :
  No Hops Specified
Actual Hops     :
  192.168.24.2(192.0.2.4) (A-SID)
  -> 192.168.48.2(192.0.2.8) (A-SID)
  -> 192.168.78.1(192.0.2.7) (A-SID)
  -> 192.168.117.2(192.0.2.11) (A-SID)
Oper Metric     : 220
Path Trans      : 1
Record Label    : 524287
Record Label    : 524284
Record Label    : 524286
Record Label    : 524283

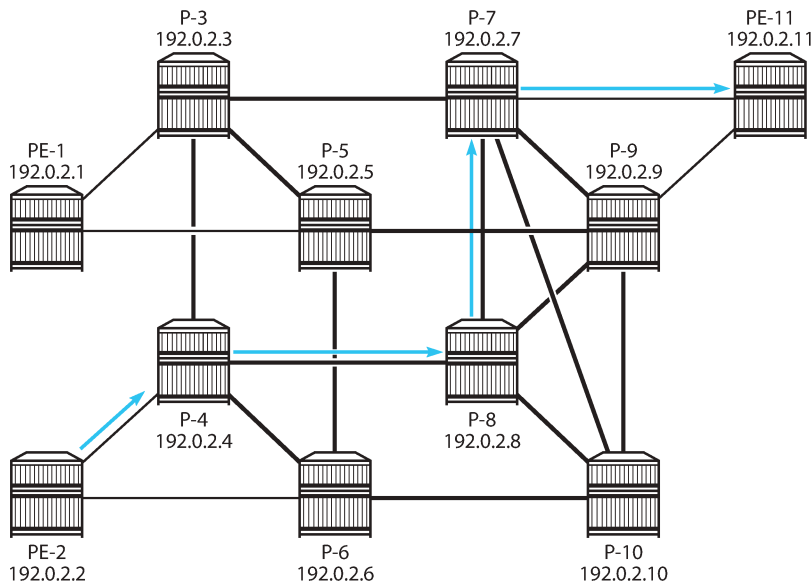
---snip---

=====

```

The path goes from PE-2 via P-4, P-8, and P-7 to the destination PE-11, as shown in [Figure 52: Empty path from PE-2 to PE-11](#).

Figure 52: Empty path from PE-2 to PE-11



35621

The label stack of Adjacency SIDs (A-SIDs) can be reduced to a smaller number of Node SIDs (N-SIDs), or a combination of N-SIDs and A-SIDs, by enabling **label-stack-reduction**, as follows:

```
# on PE-2:
configure
router Base
 mpls
  lsp "LSP-PE-2-PE-11_empty_path_local-cspf" sr-te
  to 192.0.2.11
  path-computation-method local-cspf
  label-stack-reduction
  max-sr-labels 6 additional-frr-labels 2
  primary "empty_path"
  exit
  no shutdown
exit
```

Label stack reduction reduces the label stack to one or more node SIDs in segments, with each segment delimited by configured path hops. The path computed to the node SID must satisfy any required path constraints. In this example, the label stack is reduced to the N-SID of the destination PE-11, as follows:

```
*A:PE-2# show router mpls sr-te-lsp "LSP-PE-2-PE-11_empty_path_local-cspf" path detail

=====
MPLS SR-TE LSP LSP-PE-2-PE-11_empty_path_local-cspf
Path (Detail)
=====
Legend :
  S - Strict          L - Loose
  A-SID - Adjacency SID  N-SID - Node SID
  + - Inherited
=====
-----
LSP SR-TE LSP-PE-2-PE-11_empty_path_local-cspf
```

```

Path empty_path
-----
LSP Name      : LSP-PE-2-PE-11_empty_path_local-cspf
Path LSP ID   : 62464
From          : 192.0.2.2
To            : 192.0.2.11
Admin State   : Up                               Oper State    : Up
Path Name     : empty_path
Path Type     : Primary
Path Admin    : Up                               Path Oper     : Up
Path Up Time  : 0d 00:01:35                       Path Down Time : 0d 00:00:00
Retry Limit   : 0                                 Retry Timer    : 30 sec
Retry Attempt : 0                                 Next Retry In  : 0 sec

PathCompMethod : local-cspf                    OperPathCompMethod: local-cspf
MetricType    : igp                               Oper MetricType : igp
LocalSrProt   : preferred                         Oper LocalSrProt : preferred
LabelStackRed : Enabled                       Oper LabelStackRed: Enabled

Bandwidth     : No Reservation                    Oper Bandwidth  : 0 Mbps
Hop Limit     : 255                              Oper HopLimit   : 255
Setup Priority : 7                               Oper SetupPriority: 7
Hold Priority  : 0                               Oper HoldPriority : 0
Inter-area    : N/A

---snip---

IGP/TE Metric : 220                               Oper Metric     : 220
Oper MTU       : 8978                             Path Trans      : 3
Failure Code   : noError
Failure Node   : n/a
Explicit Hops  :
  No Hops Specified
Actual Hops    :
  192.0.2.11(192.0.2.11) (N-SID)                Record Label   : 32011

---snip---

=====

```

SR-TE LSPs using path with strict hops

In the following example, the SR-TE LSP path includes strict hops—that must be contiguous hops from the head—end router—and an implicit loose hop to the destination 192.0.2.11. The SR-TE LSPs on PE-2 are configured as follows:

```

# on PE-2:
configure
  router Base
    mpls
      path "path_via-P-4-P-3_S"
        hop 10 192.0.2.4 strict
        hop 20 192.0.2.3 strict
        no shutdown
      exit
    lsp "LSP-PE-2-PE-11_strict-hops_hop-to-label" sr-te
      to 192.0.2.11
      max-sr-labels 6 additional-frr-labels 2
      primary "path_via-P-4-P-3_S"
      exit
      no shutdown

```

```

exit
lsp "LSP-PE-2-PE-11_strict-hops_local-cspf" sr-te
to 192.0.2.11
  path-computation-method local-cspf
  max-sr-labels 6 additional-frr-labels 2
  primary "path_via-P-4-P-3_S"
  exit
  no shutdown
exit

```

With hop-to-label path computation, strict hops are translated into adjacency SIDs, whereas loose hops are translated into node SIDs. In this example, the path has an A-SID to P-4 and an A-SID to P-3 followed by an N-SID to the destination PE-11, as follows:

```
*A:PE-2# show router mpls sr-te-lsp "LSP-PE-2-PE-11_strict-hops_hop-to-label" path detail
```

```

=====
MPLS SR-TE LSP LSP-PE-2-PE-11_strict-hops_hop-to-label
Path (Detail)
=====
Legend :
S      - Strict                L      - Loose
A-SID - Adjacency SID        N-SID - Node SID
+      - Inherited
=====
-----
LSP SR-TE LSP-PE-2-PE-11_strict-hops_hop-to-label
Path path_via-P-4-P-3_S
-----
LSP Name      : LSP-PE-2-PE-11_strict-hops_hop-to-label
Path LSP ID   : 54272
From          : 192.0.2.2
To            : 192.0.2.11
Admin State   : Up                Oper State    : Up
Path Name     : path_via-P-4-P-3_S
Path Type     : Primary
Path Admin    : Up                Path Oper     : Up
Path Up Time  : 0d 00:02:13       Path Down Time : 0d 00:00:00
Retry Limit   : 0                 Retry Timer    : 30 sec
Retry Attempt : 0                 Next Retry In  : 0 sec

PathCompMethod : none                OperPathCompMethod: none
MetricType     : igp                 Oper MetricType  : igp
LocalSrProt    : preferred           Oper LocalSrProt : N/A
LabelStackRed  : Disabled            Oper LabelStackRed: N/A

Bandwidth      : No Reservation       Oper Bandwidth   : 0 Mbps
Hop Limit      : 255                  Oper HopLimit    : 255
Setup Priority  : 7                   Oper SetupPriority: 7
Hold Priority   : 0                   Oper HoldPriority : 0
Inter-area     : N/A

---snip---

IGP/TE Metric  : 16777215             Oper Metric      : 16777215
Oper MTU       : 8970                 Path Trans       : 1
Failure Code    : noError
Failure Node    : n/a
Explicit Hops   :
                192.0.2.4(S)
                -> 192.0.2.3(S)
Actual Hops    :
192.168.24.2(192.0.2.4) (A-SID)      Record Label    : 524287

```

```
-> 192.168.34.1(192.0.2.3) (A-SID)      Record Label      : 524286
-> 192.0.2.11(192.0.2.11) (N-SID)     Record Label      : 32011
```

---snip---

With local CSPF path computation, the path is a sequence of A-SIDs, as follows:

```
*A:PE-2# show router mpls sr-te-lsp "LSP-PE-2-PE-11_strict-hops_local-cspf" path detail
```

```
=====
MPLS SR-TE LSP LSP-PE-2-PE-11_strict-hops_local-cspf
Path (Detail)
=====
```

```
Legend :
S      - Strict          L      - Loose
A-SID  - Adjacency SID  N-SID  - Node SID
+      - Inherited
```

```
-----
LSP SR-TE LSP-PE-2-PE-11_strict-hops_local-cspf
Path path_via-P-4-P-3_S
-----
```

```
LSP Name      : LSP-PE-2-PE-11_strict-hops_local-cspf
Path LSP ID   : 12288
From          : 192.0.2.2
To            : 192.0.2.11
Admin State   : Up                               Oper State    : Up
Path Name     : path_via-P-4-P-3_S
Path Type     : Primary
Path Admin    : Up                               Path Oper     : Up
Path Up Time  : 0d 00:02:13                     Path Down Time: 0d 00:00:00
Retry Limit   : 0                               Retry Timer   : 30 sec
Retry Attempt : 0                               Next Retry In : 0 sec
```

```
PathCompMethod : local-cspf                    OperPathCompMethod: local-cspf
MetricType     : igp                          Oper MetricType   : igp
LocalSrProt    : preferred                    Oper LocalSrProt  : preferred
LabelStackRed  : Disabled                    Oper LabelStackRed: Disabled
```

```
Bandwidth      : No Reservation                Oper Bandwidth   : 0 Mbps
Hop Limit      : 255                          Oper HopLimit    : 255
Setup Priority  : 7                            Oper SetupPriority: 7
Hold Priority   : 0                            Oper HoldPriority : 0
Inter-area     : N/A
```

---snip---

```
IGP/TE Metric  : 220                          Oper Metric      : 220
Oper MTU       : 8966                          Path Trans      : 1
Failure Code   : noError
```

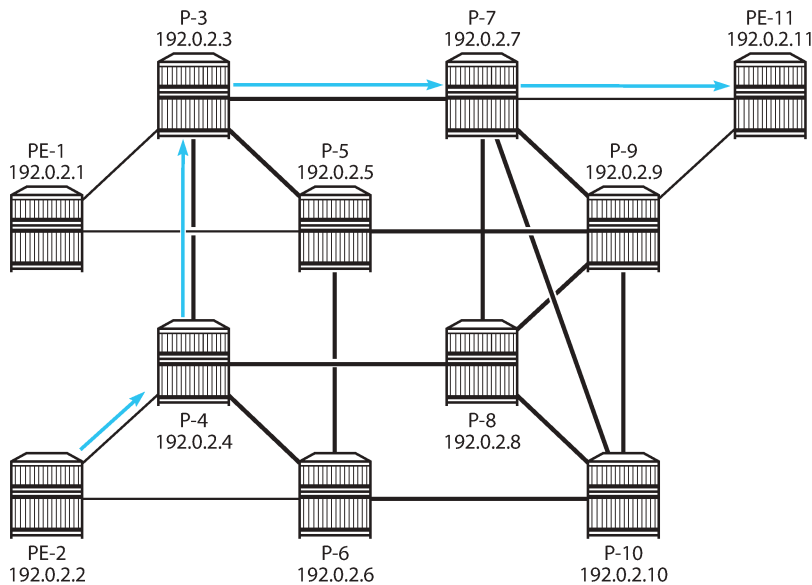
```
Failure Node   : n/a
Explicit Hops  :
                192.0.2.4(S)
                -> 192.0.2.3(S)
```

```
Actual Hops    :
  192.168.24.2(192.0.2.4) (A-SID)      Record Label      : 524287
-> 192.168.34.1(192.0.2.3) (A-SID)     Record Label      : 524286
-> 192.168.37.2(192.0.2.7) (A-SID)     Record Label      : 524284
-> 192.168.117.2(192.0.2.11) (A-SID)    Record Label      : 524283
```

---snip---

The path from PE-2 to PE-11 must go via P-4 and P-3. The loose hop from P-3 to the destination PE-11 is translated into an A-SID to P-7 followed by an A-SID to PE-11, as shown in [Figure 53: Path from PE-2 to PE-11 via strict hops P-4 and P-3](#).

Figure 53: Path from PE-2 to PE-11 via strict hops P-4 and P-3



35622

With label stack reduction, the configuration of the SR-TE LSP is as follows:

```
# on PE-2:
configure
router Base
mpls
  lsp "LSP-PE-2-PE-11_strict-hops_local-cspf" sr-te
  to 192.0.2.11
  path-computation-method local-cspf
  label-stack-reduction
  max-sr-labels 6 additional-frr-labels 2
  primary "path_via-P-4-P-3_S"
  exit
  no shutdown
exit
```

Label stack reduction will reduce the label stack to one or more node SIDs in segments, with each segment delimited by configured path hops. The computed path to the node SID must satisfy any required path constraints. The calculated path from PE-2 to PE-11 via the strict hops P-4 and P-3 shows a series of N-SIDs, as follows:

```
*A:PE-2# show router mpls sr-te-lsp "LSP-PE-2-PE-11_strict-hops_local-cspf" path detail
=====
MPLS SR-TE LSP LSP-PE-2-PE-11_strict-hops_local-cspf
Path (Detail)
```

```

=====
Legend :
S      - Strict          L      - Loose
A-SID - Adjacency SID   N-SID - Node SID
+      - Inherited
=====
-----
LSP SR-TE LSP-PE-2-PE-11_strict-hops_local-cspf
Path path_via-P-4-P-3_S
-----
LSP Name      : LSP-PE-2-PE-11_strict-hops_local-cspf
Path LSP ID   : 12288
From          : 192.0.2.2
To            : 192.0.2.11
Admin State   : Up                               Oper State    : Up
Path Name     : path_via-P-4-P-3_S
Path Type     : Primary
Path Admin    : Up                               Path Oper     : Up
Path Up Time  : 0d 00:01:35                       Path Down Time: 0d 00:00:00
Retry Limit   : 0                                 Retry Timer   : 30 sec
Retry Attempt : 0                                 Next Retry In: 0 sec

PathCompMethod : local-cspf                    OperPathCompMethod: local-cspf
MetricType      : igp                            Oper MetricType : igp
LocalSrProt     : preferred                      Oper LocalSrProt: preferred
LabelStackRed : Enabled                        Oper LabelStackRed: Enabled

Bandwidth       : No Reservation                  Oper Bandwidth  : 0 Mbps
Hop Limit       : 255                            Oper HopLimit   : 255
Setup Priority   : 7                              Oper SetupPriority: 7
Hold Priority    : 0                              Oper HoldPriority: 0
Inter-area      : N/A

---snip---

IGP/TE Metric   : 220                            Oper Metric     : 220
Oper MTU        : 8970                           Path Trans     : 3
Failure Code    : noError
Failure Node    : n/a
Explicit Hops   :
                  192.0.2.4(S)
                  -> 192.0.2.3(S)
Actual Hops     :
    192.0.2.4(192.0.2.4) (N-SID)                 Record Label   : 32004
-> 192.0.2.3(192.0.2.3) (N-SID)                 Record Label   : 32003
-> 192.0.2.11(192.0.2.11) (N-SID)               Record Label   : 32011

---snip---
=====

```

SR-TE LSPs using path with loose hops

The following SR-TE LSPs on PE-2 toward PE-11 use a path with loose hops P-3 and P-9:

```

# on PE-2:
configure
router Base
mpls
    path "path_via-P-3-P-9_L"
    hop 10 192.0.2.3 loose

```

```

        hop 20 192.0.2.9 loose
        no shutdown
    exit
    lsp "LSP-PE-2-PE-11_loose-hops_hop-to-label" sr-te
        to 192.0.2.11
        max-sr-labels 6 additional-frr-labels 2
        primary "path_via-P-3-P-9_L"
    exit
    no shutdown
exit
lsp "LSP-PE-2-PE-11_loose-hops_local-cspf" sr-te
    to 192.0.2.11
    path-computation-method local-cspf
    max-sr-labels 6 additional-frr-labels 2
    primary "path_via-P-3-P-9_L"
    exit
    no shutdown
exit

```

With hop-to-label path calculation, loose hops are translated into N-SIDs. In this example, the actual hops are the N-SIDs of P-3, P-9, and PE-11, as follows:

```
*A:PE-2# show router mpls sr-te-lsp "LSP-PE-2-PE-11_loose-hops_hop-to-label" path detail
```

```

=====
MPLS SR-TE LSP LSP-PE-2-PE-11_loose-hops_hop-to-label
Path (Detail)
=====
Legend :
  S      - Strict
  A-SID  - Adjacency SID
  +      - Inherited
  L      - Loose
  N-SID  - Node SID
=====
-----
LSP SR-TE LSP-PE-2-PE-11_loose-hops_hop-to-label
Path path_via-P-3-P-9_L
-----
LSP Name      : LSP-PE-2-PE-11_loose-hops_hop-to-label
Path LSP ID   : 11776
From          : 192.0.2.2
To            : 192.0.2.11
Admin State   : Up
Oper State    : Up
Path Name     : path_via-P-3-P-9_L
Path Type     : Primary
Path Admin    : Up
Path Oper     : Up
Path Up Time  : 0d 00:02:13
Path Down Time : 0d 00:00:00
Retry Limit   : 0
Retry Timer   : 30 sec
Retry Attempt : 0
Next Retry In : 0 sec

PathCompMethod : none
MetricType      : igp
LocalSrProt     : preferred
LabelStackRed   : Disabled

OperPathCompMethod: none
Oper MetricType : igp
Oper LocalSrProt : N/A
Oper LabelStackRed: N/A

Bandwidth       : No Reservation
Hop Limit       : 255
Setup Priority   : 7
Hold Priority    : 0
Inter-area      : N/A

Oper Bandwidth  : 0 Mbps
Oper HopLimit   : 255
Oper SetupPriority: 7
Oper HoldPriority: 0

---snip---

IGP/TE Metric   : 16777215
Oper Metric     : 16777215

```

```

Oper MTU      : 8970                Path Trans      : 1
Failure Code  : noError
Failure Node  : n/a
Explicit Hops :
              192.0.2.3(L)
              -> 192.0.2.9(L)
Actual Hops   :
  192.0.2.3(192.0.2.3) (N-SID)      Record Label    : 32003
-> 192.0.2.9(192.0.2.9) (N-SID)      Record Label    : 32009
-> 192.0.2.11(192.0.2.11) (N-SID)    Record Label    : 32011

---snip---

=====

```

With local CSPF path calculation, the actual hops are the A-SIDs toward P-4, P-3, P-7, P-9, and PE-11, as follows:

```

*A:PE-2# show router mpls sr-te-lsp "LSP-PE-2-PE-11_loose-hops_local-cspf" path detail

=====
MPLS SR-TE LSP LSP-PE-2-PE-11_loose-hops_local-cspf
Path (Detail)
=====
Legend :
  S      - Strict                L      - Loose
A-SID - Adjacency SID          N-SID - Node SID
+      - Inherited

-----
LSP SR-TE LSP-PE-2-PE-11_loose-hops_local-cspf
Path path_via-P-3-P-9_L
-----
LSP Name      : LSP-PE-2-PE-11_loose-hops_local-cspf
Path LSP ID   : 64000
From          : 192.0.2.2
To            : 192.0.2.11
Admin State   : Up                Oper State      : Up
Path Name     : path_via-P-3-P-9_L
Path Type     : Primary
Path Admin    : Up                Path Oper       : Up
Path Up Time  : 0d 00:02:13        Path Down Time  : 0d 00:00:00
Retry Limit   : 0                  Retry Timer     : 30 sec
Retry Attempt : 0                  Next Retry In   : 0 sec

PathCompMethod : local-cspf        OperPathCompMethod: local-cspf
MetricType     : igp                Oper MetricType  : igp
LocalSrProt    : preferred          Oper LocalSrProt : preferred
LabelStackRed  : Disabled           Oper LabelStackRed: Disabled

Bandwidth      : No Reservation     Oper Bandwidth   : 0 Mbps
Hop Limit      : 255                Oper HopLimit    : 255
Setup Priority  : 7                  Oper SetupPriority: 7
Hold Priority   : 0                  Oper HoldPriority : 0
Inter-area     : N/A

---snip---

IGP/TE Metric  : 230                Oper Metric      : 230
Oper MTU       : 8962                Path Trans      : 1
Failure Code   : noError
Failure Node   : n/a
Explicit Hops  :

```



```

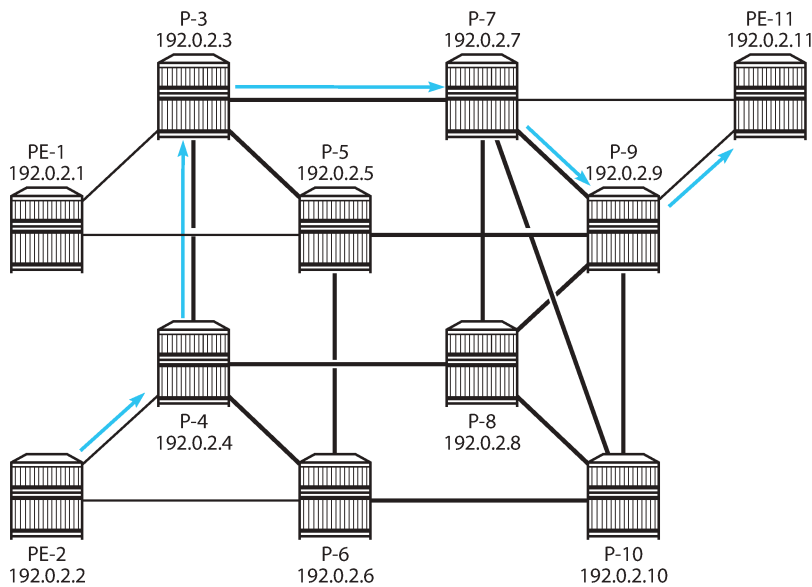
          192.0.2.3(L)
          -> 192.0.2.9(L)
Actual Hops :
  192.168.24.2(192.0.2.4) (A-SID)           Record Label : 524287
-> 192.168.34.1(192.0.2.3) (A-SID)         Record Label : 524286
-> 192.168.37.2(192.0.2.7) (A-SID)         Record Label : 524284
-> 192.168.79.2(192.0.2.9) (A-SID)         Record Label : 524285
-> 192.168.119.2(192.0.2.11) (A-SID)       Record Label : 524283

---snip---
=====

```

Figure 54: Path from PE-2 to PE-11 via loose hops P-3 and P-9 shows the path from PE-2 to PE-11 via loose hops P-3 and P-9.

Figure 54: Path from PE-2 to PE-11 via loose hops P-3 and P-9



35623

Label stack reduction is configured as follows:

```

# on PE-2:
configure
router Base
 mpls
  lsp "LSP-PE-2-PE-11_loose-hops_local-cspf" sr-te
  to 192.0.2.11
  path-computation-method local-cspf
  label-stack-reduction
  max-sr-labels 6 additional-frr-labels 2
  primary "path_via-P-3-P-9_L"
  exit
  no shutdown
exit

```

With label stack reduction, the actual hops in the path are the following:

```
*A:PE-2# show router mpls sr-te-lsp "LSP-PE-2-PE-11_loose-hops_local-cspf" path detail
```

```
=====
MPLS SR-TE LSP LSP-PE-2-PE-11_loose-hops_local-cspf
Path (Detail)
=====
Legend :
  S      - Strict                L      - Loose
  A-SID  - Adjacency SID        N-SID  - Node SID
  +      - Inherited
=====
-----
LSP SR-TE LSP-PE-2-PE-11_loose-hops_local-cspf
Path path_via-P-3-P-9_L
-----
LSP Name      : LSP-PE-2-PE-11_loose-hops_local-cspf
Path LSP ID   : 64000
From          : 192.0.2.2
To           : 192.0.2.11
Admin State   : Up                Oper State    : Up
Path Name     : path_via-P-3-P-9_L
Path Type     : Primary
Path Admin    : Up                Path Oper     : Up
Path Up Time  : 0d 00:01:35       Path Down Time : 0d 00:00:00
Retry Limit   : 0                 Retry Timer    : 30 sec
Retry Attempt : 0                 Next Retry In  : 0 sec

PathCompMethod : local-cspf      OperPathCompMethod: local-cspf
MetricType     : igp                Oper MetricType : igp
LocalSrProt    : preferred          Oper LocalSrProt : preferred
LabelStackRed : Enabled         Oper LabelStackRed: Enabled

Bandwidth      : No Reservation     Oper Bandwidth  : 0 Mbps
Hop Limit      : 255                Oper HopLimit   : 255
Setup Priority  : 7                  Oper SetupPriority: 7
Hold Priority   : 0                  Oper HoldPriority: 0
Inter-area     : N/A

---snip---

IGP/TE Metric  : 230                Oper Metric     : 230
Oper MTU       : 8970               Path Trans     : 3
Failure Code   : noError
Failure Node   : n/a
Explicit Hops  :
                192.0.2.3(L)
                -> 192.0.2.9(L)
Actual Hops    :
    192.0.2.3(192.0.2.3) (N-SID)      Record Label   : 32003
-> 192.0.2.9(192.0.2.9) (N-SID)      Record Label   : 32009
-> 192.0.2.11(192.0.2.11) (N-SID)    Record Label   : 32011

---snip---
=====
```

Tunnel tables

The following command on PE-2 lists the SR-TE tunnels. By default, SR-TE tunnels have preference 8. The first three SR-TE LSP tunnels used local CSPF path computation without label stack reduction, while the latter three used hop-to-label path computation. For all SR-TE LSPs with next-hop 192.0.168.24.2, the first hop is mapped to an adjacency SID. All paths computed with local CSPF without label stack reduction only have adjacency SIDs or adjacency set SIDs. For hop-to-label path computation, only the strict hops are translated into adjacency SIDs.

```
*A:PE-2# show router tunnel-table protocol sr-te
```

```
=====
```

```
IPv4 Tunnel Table (Router: Base)
```

```
=====
```

Destination Color	Owner	Encap	TunnelId	Pref	Nexthop	Metric
192.0.2.11/32	sr-te	MPLS	655365	8	192.168.24.2	220
192.0.2.11/32	sr-te	MPLS	655366	8	192.168.24.2	220
192.0.2.11/32	sr-te	MPLS	655367	8	192.168.24.2	230
192.0.2.11/32	sr-te	MPLS	655362	8	192.0.2.11	16777215
192.0.2.11/32	sr-te	MPLS	655363	8	192.168.24.2	16777215
192.0.2.11/32	sr-te	MPLS	655364	8	192.0.2.3	16777215

```
-----
```

```
Flags: B = BGP or MPLS backup hop available
```

```
      L = Loop-Free Alternate (LFA) hop available
```

```
      E = Inactive best-external BGP route
```

```
      k = RIB-API or Forwarding Policy backup hop
```

```
=====
```

For the hop-to-label computed paths, the value of the metric is set to 16777215 (infinity – 1), because CSPF is not used and the head-end router is unaware of the full topology between head- and tail-end router. For the paths computed with local CSPF, the IGP metrics are added; for example, for the first tunnel: 100 (PE-2 to P-4) + 10 (P-4 to P-8) + 10 (P-8 to P-7) + 100 (P-7 to PE-11) = 220.

When label stack reduction is configured, the next hops may be slightly different when the first hop—after label stack reduction—is mapped to a node SID, as follows:

```
*A:PE-2# show router tunnel-table protocol sr-te
```

```
=====
```

```
IPv4 Tunnel Table (Router: Base)
```

```
=====
```

Destination Color	Owner	Encap	TunnelId	Pref	Nexthop	Metric
192.0.2.11/32	sr-te	MPLS	655365	8	192.0.2.11	220
192.0.2.11/32	sr-te	MPLS	655366	8	192.0.2.4	220
192.0.2.11/32	sr-te	MPLS	655367	8	192.0.2.3	230
192.0.2.11/32	sr-te	MPLS	655362	8	192.0.2.11	16777215
192.0.2.11/32	sr-te	MPLS	655363	8	192.168.24.2	16777215
192.0.2.11/32	sr-te	MPLS	655364	8	192.0.2.3	16777215

```
-----
```

```
Flags: B = BGP or MPLS backup hop available
```

```
      L = Loop-Free Alternate (LFA) hop available
```

```
      E = Inactive best-external BGP route
```

```
      k = RIB-API or Forwarding Policy backup hop
```

```
=====
```

The following command on PE-2 shows the FP tunnel table for SR-TE LSP tunnels without label stack reduction. The first three SR-TE LSP tunnels (with tunnel IDs 655362, 655363, and 655364) have hop-to-label path computation and the latter three have local CSPF path computation. For hop-to-label path computation, A-SIDs are used for strict hops and N-SIDs are used for loose hops. For local CSPF path computation without label stack reduction, only A-SIDs and adjacency set SIDs are used.

```
*A:PE-2# show router fp-tunnel-table 1

=====
IPv4 Tunnel Table Display

Legend:
Label stack is ordered from bottom-most to top-most
B - FRR Backup
=====
Destination                                Protocol          Tunnel-ID
 Lbl
  NextHop
 Lbl      (backup)                          Intf/Tunnel
  NextHop  (backup)
-----
192.0.2.1/32                               SR-ISIS-0        524290
 32001
  192.168.24.2                             1/1/1:1000
192.0.2.3/32                               SR-ISIS-0        524291
 32003
  192.168.24.2                             1/1/1:1000
192.0.2.4/32                               SR-ISIS-0        524292
 32004
  192.168.24.2                             1/1/1:1000
192.0.2.5/32                               SR-ISIS-0        524293
 32005
  192.168.26.2                             1/1/2:1000
192.0.2.6/32                               SR-ISIS-0        524295
 32006
  192.168.26.2                             1/1/2:1000
192.0.2.7/32                               SR-ISIS-0        524296
 32007
  192.168.24.2                             1/1/1:1000
192.0.2.8/32                               SR-ISIS-0        524297
 32008
  192.168.24.2                             1/1/1:1000
192.0.2.9/32                               SR-ISIS-0        524298
 32009
  192.168.24.2                             1/1/1:1000
192.0.2.10/32                              SR-ISIS-0        524299
 32010
  192.168.26.2                             1/1/2:1000
192.0.2.11/32                            SR-ISIS-0       524300
32011
  192.168.24.2                            1/1/1:1000
192.0.2.11/32                            SR-TE         655362
3
  192.0.2.11                               SR
192.0.2.11/32                            SR-TE         655363
32011/524286
  192.168.24.2                               SR
192.0.2.11/32                            SR-TE         655364
32011/32009
  192.0.2.3                               SR
192.0.2.11/32                            SR-TE         655365
524283/524286/524284
  192.168.24.2                               SR
```

```

192.0.2.11/32          SR-TE          655366
  524283/524284/524286
  192.168.24.2        SR
192.0.2.11/32          SR-TE          655367
  524283/524285/524284/524286
  192.168.24.2        SR
192.0.2.12/32          SR-ISIS-0      524301
  32012
  192.168.24.2        1/1/1:1000
192.168.24.2/32        SR             524289
  3
  192.168.24.2        1/1/1:1000
192.168.26.2/32        SR             524294
  3
  192.168.26.2        1/1/2:1000
-----
Total Entries : 19
=====

```

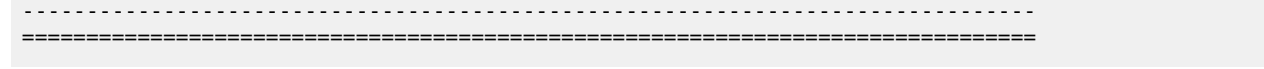
The following command on PE-2 shows only the FP tunnel table for local CSPF path computed SR-TE LSP tunnels with label stack reduction, where N-SIDs replace sequences of A-SIDs.

```

*A:PE-2# show router fp-tunnel-table 1
=====
IPv4 Tunnel Table Display

Legend:
label stack is ordered from bottom-most to top-most
B - FRR Backup
=====
Destination          Protocol          Tunnel-ID
Lbl
  NextHop              Intf/Tunnel
  Lbl      (backup)
  NextHop  (backup)
-----
---snip---
192.0.2.11/32          SR-ISIS-0      524300
  32011
  192.168.24.2        1/1/1:1000
192.0.2.11/32          SR-TE          655362
  3
  192.0.2.11          SR
192.0.2.11/32          SR-TE          655363
  32011/524286
  192.168.24.2        SR
192.0.2.11/32          SR-TE          655364
  32011/32009
  192.0.2.3          SR
192.0.2.11/32          SR-TE          655365
  3
  192.0.2.11          SR
192.0.2.11/32          SR-TE          655366
  32011/32003
  192.0.2.4          SR
192.0.2.11/32          SR-TE          655367
  32011/32009
  192.0.2.3          SR
---snip---
-----
Total Entries : 19

```



Resignaling an SR-TE LSP

Point-to-point SR-TE LSPs have a resignal timer to match that of RSVP. It must be set to allow manual and automatic resignaling for optimization of SR-TE LSPs. The following command can be used to set a resignal timer in minutes for all originating SR-TE LSPs:

```
*A:PE-2# configure router mpls sr-te-resignal resignal-timer ?
- resignal-timer <minutes>
- no resignal-timer

<minutes>          : [30..10080]
```

The following tools command can be launched for manually-triggered re-optimization of LSPs:

```
*A:PE-2# tools perform router mpls resignal sr-te-delay ?
- resignal {lsp <lsp-name> path <path-name>| delay <minutes>}
- resignal {p2mp-lsp <p2mp-lsp-name> p2mp-instance <p2mp-instance-name>| p2mp-delay <p2mp-
minutes>}
- resignal {sr-te-lsp <sr-te-lsp-name> path <path-name>| sr-te-delay <sr-te-minutes>}

<lsp-name>          : [64 chars max]
<sr-te-lsp-name>    : [64 chars max]
<path-name>         : [64 chars max]
<minutes>           : [0..30]
<p2mp-lsp-name>     : [64 chars max]
<p2mp-instance-name> : [Max 32 chars]
<p2mp-minutes>      : [0..60]
<sr-te-minutes>     : [0..30]
```

A manual re-optimization for a specific path in a specific SR-TE LSP can be forced, as follows:

```
*A:PE-2# tools perform router mpls resignal sr-te-lsp "LSP-PE-2-PE-11_loose-hops_local-cspf"
path "path_via-P-3-P-9_L"
```

The **sr-te-delay** parameter overrides the global resignal timer value for all SR-TE LSPs. When this timer expires, the procedures of the timer-based resignal are applied to all SR-TE LSPs and the SR-TE resignal time is then reset to its configured value in the MPLS configuration.

The following command forces a re-optimization of the SR-TE LSPs after an **sr-te-delay** of 3 minutes, but this CLI delay will only be in effect when the **sr-te-resignal-timer** is configured in the **mpls** context. If not, the following error is raised:

```
*A:PE-2# tools perform router mpls resignal sr-te-delay 3
WARNING: CLI Delay will not be in effect, configure resignal-timer under config>router>mpls>sr-
te-resignal.
```

The SR-TE resignal timer is configured in the **mpls** context with a value of 60 minutes, as follows:

```
# on PE-2:
configure
router Base
mpls
sr-te-resignal
```

```
resignal-timer 60
exit
```

With the SR-TE resignal timer configured, the tools command can be launched to override this SR-TE resignal timer to a value of 3 minutes, as follows:

```
*A:PE-2# tools perform router mpls resignal sr-te-delay 3
```

Local CSPF and SR protected adjacencies

The following command enables TI-LFA with link protection on all nodes:

```
# on all nodes:
configure
router Base
isis 0
loopfree-alternates
ti-lfa
exit
exit
```

As a result of this, each adjacency is available for SID protection. For example, on P-4, all adjacency SID sub-TLVs have the B-flag set, as follows:

```
*A:P-4# show router isis database P-4 detail level 2 | match "Adj-SID" context all
TLVs :
TE IS Nbrs :
Adj-SID: Flags:v4BVL Weight:0 Label:524287
TE IS Nbrs :
Adj-SID: Flags:v4BVL Weight:0 Label:524286
TE IS Nbrs :
Adj-SID: Flags:v4BVL Weight:0 Label:524285
TE IS Nbrs :
Adj-SID: Flags:v4BVL Weight:0 Label:524284
Adj-SID Flags : v4/v6 = IPv4 or IPv6 Address-Family
                B = Backup Flag
                V = Adj-SID carries a value
                L = value/index has local significance
                S = Set of Adjacencies
                P = Persistently allocated
```

The following command removes SID protection from the interface toward P-8:

```
# on P-4:
configure
router Base
isis 0
interface "int-P-4-P-8"
no sid-protection
exit
```

The adjacency SID sub-TLV for this link does not have the B-flag set, as follows:

```
*A:P-4# show router isis database P-4 detail level 2
---snip---

TLVs :
```

```

---snip---
TE IS Nbrs :
  Nbr      : P-8.00
  Default Metric : 10
  Sub TLV Len   : 19
  IF Addr   : 192.168.48.1
  Nbr IP    : 192.168.48.2
  Adj-SID: Flags:v4VL Weight:0 Label:524284
---snip---

```

Local CSPF will, by default, compute an end-to-end path by selecting protected adjacencies, which have the B-flag set, as previously described. If no such path is available, the local CSPF may select an unprotected adjacency with the assumption that all other path constraints are met.

The following tools command calculates the path from P-4 to P-8 without establishing it. With the **preferred** option, protected adjacencies are preferred over unprotected adjacency when both exist for a TE link. In this example, the shortest path contains the direct link to P-8, which does not have a backup:

```

*A:P-4# tools perform router mpls sr-te-cspf to 192.0.2.8 path-computation-method local-
cspf local-sr-protection preferred
Req CSPF TE path
  From: this node To: 192.0.2.8
CSPF TE Path
  To: 192.0.2.8
  [1] Source Add 192.0.2.4      Cost 10
      Hop 1 -> Label 524284 NH 192.168.48.1 --> 192.168.48.2 (192.0.2.8) Cost 10 Color 0x0

```

The following tools command calculates the path from P-4 to P-8 with the restriction that each link in the path is unprotected. The shortest path is the unprotected link to P-8:

```

*A:P-4# tools perform router mpls sr-te-cspf to 192.0.2.8 path-computation-method local-
cspf local-sr-protection none
Req CSPF TE path
  From: this node To: 192.0.2.8
CSPF TE Path
  To: 192.0.2.8
  [1] Source Add 192.0.2.4      Cost 10
      Hop 1 -> Label 524284 NH 192.168.48.1 --> 192.168.48.2 (192.0.2.8) Cost 10 Color 0x0

```

The following tools command calculates the path from P-4 to P-8 but all adjacencies must be protected, so the unprotected direct link to P-8 is excluded and the path goes via P-6 and P-10 to P-8:

```

*A:P-4# tools perform router mpls sr-te-cspf to 192.0.2.8 path-computation-method local-
cspf local-sr-protection mandatory
Req CSPF TE path
  From: this node To: 192.0.2.8
CSPF TE Path
  To: 192.0.2.8
  [1] Source Add 192.0.2.4      Cost 30
      Hop 1 -> Label 524285 NH 192.168.46.1 --> 192.168.46.2 (192.0.2.6) Cost 10 Color 0x0
      Hop 2 -> Label 524284 NH 192.168.106.1 --> 192.168.106.2 (192.0.2.10) Cost 10 Color 0x0
      Hop 3 -> Label 524287 NH 192.168.108.2 --> 192.168.108.1 (192.0.2.8) Cost 10 Color 0x0

```

On PE-2, the following SR-TE LSPs with local CSPF path computation using a loose path are configured toward PE-11:

- an SR-TE LSP with local SR protection preferred (= default setting)
- an SR-TE LSP with mandatory local SR protection, where all adjacencies must have a backup

- an SR-TE LSP without local SR protection (none), where all adjacencies are unprotected

```
# on PE-2:
configure
router Base
  mpls
    lsp "LSP-PE-2-PE-11_empty_path_local-cspf_protection-preferred" sr-te
      to 192.0.2.11
      path-computation-method local-cspf
      local-sr-protection preferred # default
      max-sr-labels 6 additional-frr-labels 2
      primary "empty_path"
      exit
      no shutdown
    exit
    lsp "LSP-PE-2-PE-11_empty_path_local-cspf_protection-mandatory" sr-te
      to 192.0.2.11
      path-computation-method local-cspf
      local-sr-protection mandatory # all links in E2E path protected
      max-sr-labels 6 additional-frr-labels 2
      primary "empty_path"
      exit
      no shutdown
    exit
    lsp "LSP-PE-2-PE-11_empty_path_local-cspf_protection-none" sr-te
      to 192.0.2.11
      path-computation-method local-cspf
      local-sr-protection none # all links in E2E path unprotected
      max-sr-labels 6 additional-frr-labels 2
      primary "empty_path"
      exit
      no shutdown
    exit
  exit
```

For test purposes, the metric on the unprotected interface between P-4 and P-8 is lowered to 5, so the shortest path to PE-11 will include the unprotected interface when allowed:

```
# on P-4:
configure
router Base
  isis 0
    interface "int-P-4-P-8"
      interface-type point-to-point
      no sid-protection
      level 1
        metric 5
      exit
      level 2
        metric 5
      exit
      no shutdown
    exit
  exit
```

For SR-TE LSP "LSP-PE-2-PE-11_empty_path_local-cspf_protection-preferred", a path can be established from PE-2 via P-4, P-8, and P-9 to PE-11, but for the same metric, P-9 can be replaced by P-7. The direct link between P-4 and P-8 is unprotected, while all other adjacencies in the path have a backup.

```
*A:PE-2# show router mpls sr-te-lsp "LSP-PE-2-PE-11_empty_path_local-cspf_protection-preferred"
path detail
```

```

MPLS SR-TE LSP LSP-PE-2-PE-11_empty_path_local-cspf_protection-preferred
Path (Detail)
=====
Legend :
  S      - Strict          L      - Loose
  A-SID  - Adjacency SID  N-SID - Node SID
  +      - Inherited
=====
-----
LSP SR-TE LSP-PE-2-PE-11_empty_path_local-cspf_protection-preferred
Path empty_path
-----
LSP Name      : LSP-PE-2-PE-11_empty_path_local-cspf_protection-preferred
Path LSP ID   : 61952
From          : 192.0.2.2
To            : 192.0.2.11
Admin State   : Up                Oper State    : Up
Path Name     : empty_path
Path Type     : Primary
Path Admin    : Up                Path Oper     : Up
Path Up Time  : 0d 00:01:33       Path Down Time : 0d 00:00:00
Retry Limit   : 0                 Retry Timer    : 30 sec
Retry Attempt : 0                 Next Retry In  : 0 sec

PathCompMethod : local-cspf       OperPathCompMethod: local-cspf
MetricType     : igp              Oper MetricType   : igp
LocalSrProt   : preferred       Oper LocalSrProt : preferred
LabelStackRed  : Disabled         Oper LabelStackRed: Disabled

Bandwidth      : No Reservation    Oper Bandwidth   : 0 Mbps
Hop Limit      : 255              Oper HopLimit    : 255
Setup Priority  : 7                Oper SetupPriority: 7
Hold Priority   : 0                Oper HoldPriority : 0
Inter-area     : N/A

---snip---

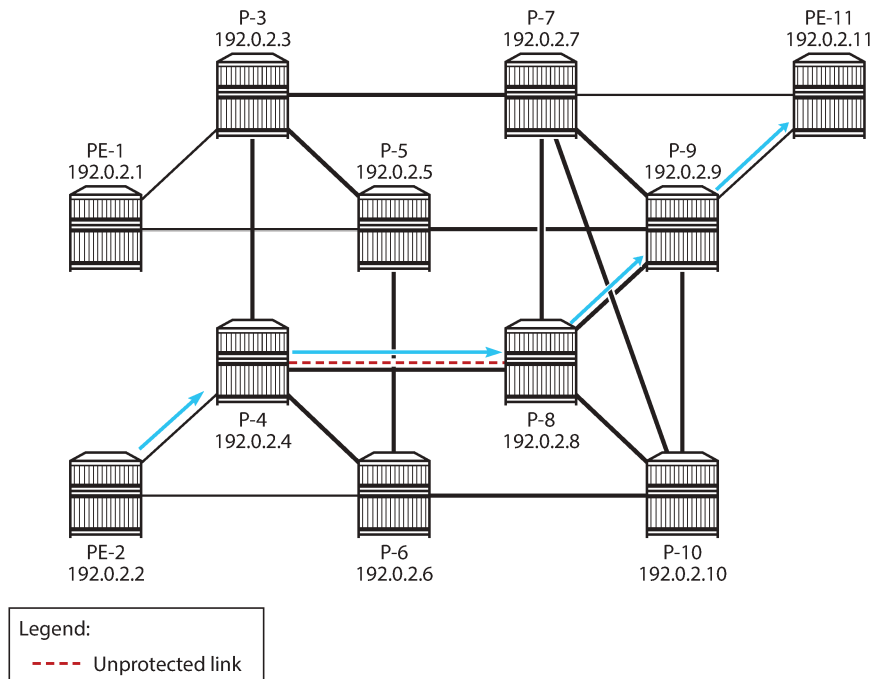
IGP/TE Metric  : 215              Oper Metric      : 215
Oper MTU       : 8958            Path Trans       : 1
Failure Code    : noError
Failure Node    : n/a
Explicit Hops   :
  No Hops Specified
Actual Hops     :
  192.168.24.2(192.0.2.4) (A-SID)      Record Label    : 524287
-> 192.168.48.2(192.0.2.8) (A-SID)    Record Label  : 524284
-> 192.168.89.2(192.0.2.9) (A-SID)    Record Label    : 524285
-> 192.168.119.2(192.0.2.11) (A-SID)   Record Label    : 524283

---snip---
=====

```

Figure 55: Loose path from PE-2 to PE-11 including unprotected link shows the established path from PE-2 to PE-11, which uses protected and unprotected links.

Figure 55: Loose path from PE-2 to PE-11 including unprotected link



35624

For SR-TE LSP "LSP-PE-2-PE-11_empty_path_local-cspf_protection-mandatory", the path must exclude the unprotected link from P-4 to P-8. The path goes from PE-2 via P-6, P-5, and P-9 to PE-11, but for the same metric, other paths are possible.

```
*A:PE-2# show router mpls sr-te-lsp "LSP-PE-2-PE-11_empty_path_local-cspf_protection-mandatory" path detail
```

```
=====
MPLS SR-TE LSP LSP-PE-2-PE-11_empty_path_local-cspf_protection-mandatory
Path (Detail)
=====
```

Legend :

S	- Strict	L	- Loose
A-SID	- Adjacency SID	N-SID	- Node SID
+	- Inherited		

```
-----
LSP SR-TE LSP-PE-2-PE-11_empty_path_local-cspf_protection-mandatory
Path empty_path
-----
```

```
LSP Name      : LSP-PE-2-PE-11_empty_path_local-cspf_protection-mandatory
Path LSP ID   : 35840
From          : 192.0.2.2
To           : 192.0.2.11
Admin State   : Up
Oper State    : Up
Path Name     : empty_path
Path Type     : Primary
Path Admin    : Up
Path Oper     : Up
Path Up Time  : 0d 00:01:33
Path Down Time : 0d 00:00:00
Retry Limit   : 0
Retry Timer   : 30 sec
Retry Attempt : 0
Next Retry In : 0 sec
```

```

PathCompMethod   : local-cspf           OperPathCompMethod: local-cspf
MetricType       : igp                  Oper MetricType   : igp
LocalSrProt      : mandatory          Oper LocalSrProt  : mandatory
LabelStackRed    : Disabled             Oper LabelStackRed: N/A

Bandwidth        : No Reservation       Oper Bandwidth    : 0 Mbps
Hop Limit        : 255                  Oper HopLimit     : 255
Setup Priority    : 7                   Oper SetupPriority: 7
Hold Priority     : 0                   Oper HoldPriority  : 0
Inter-area       : N/A

---snip---

IGP/TE Metric    : 220                  Oper Metric       : 220
Oper MTU         : 8958                 Path Trans       : 1
Failure Code     : noError
Failure Node     : n/a
Explicit Hops    :
  No Hops Specified
Actual Hops      :
  192.168.26.2(192.0.2.6) (A-SID)       Record Label     : 524286
-> 192.168.56.1(192.0.2.5) (A-SID)       Record Label     : 524285
-> 192.168.59.2(192.0.2.9) (A-SID)       Record Label     : 524284
-> 192.168.119.2(192.0.2.11) (A-SID)     Record Label     : 524283

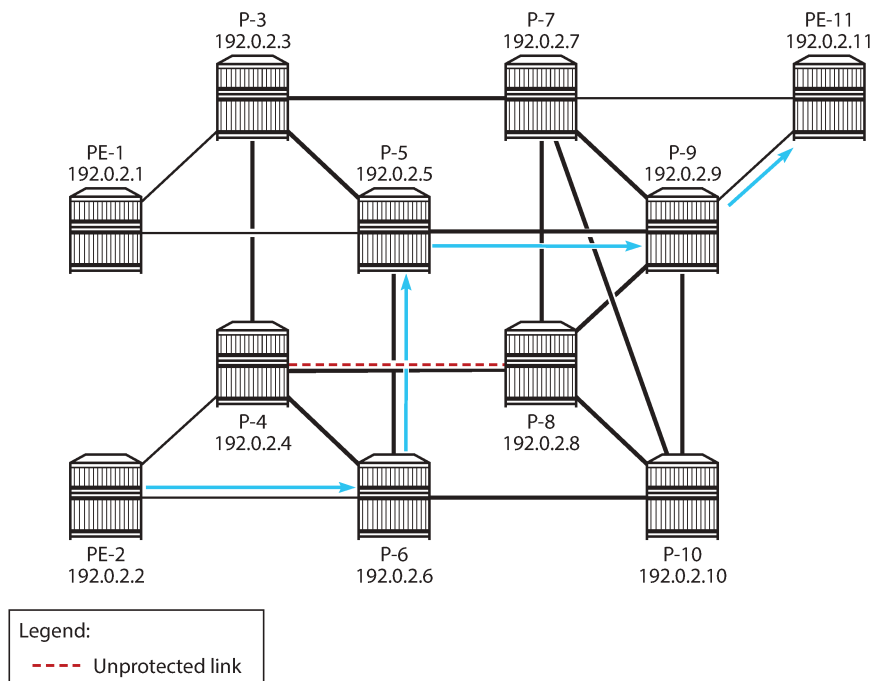
---snip---

=====

```

Figure 56: Loose path from PE-2 to PE-11 including only protected links shows the loose path that excludes the unprotected link between P-4 and P-8.

Figure 56: Loose path from PE-2 to PE-11 including only protected links



35625

For SR-TE LSP "LSP-PE-2-PE-11_empty_path_local-cspf_protection-none", the path should only use unprotected links, but only the adjacency between P-4 and P-8 is unprotected, so CSPF cannot find an end-to-end path. The path and the LSP remain operationally down with failure code noCspfRouteToDestination, as follows:

```
*A:PE-2# show router mpls sr-te-lsp "LSP-PE-2-PE-11_empty_path_local-cspf_protection-none" path
detail
=====
MPLS SR-TE LSP LSP-PE-2-PE-11_empty_path_local-cspf_protection-none
Path (Detail)
=====
Legend :
S      - Strict
A-SID  - Adjacency SID
+      - Inherited
L      - Loose
N-SID  - Node SID
=====
LSP SR-TE LSP-PE-2-PE-11_empty_path_local-cspf_protection-none
Path empty_path
-----
LSP Name      : LSP-PE-2-PE-11_empty_path_local-cspf_protection-none
Path LSP ID   : 26624
From          : 192.0.2.2
To           : 192.0.2.11
Admin State   : Up
Oper State    : Down
Path Name     : empty_path
Path Type     : Primary
Path Admin    : Up
Path Oper     : Down
Path Up Time  : 0d 00:00:00
Path Down Time : 0d 00:01:33
Retry Limit   : 0
Retry Timer   : 30 sec
```

```
Retry Attempt      : 4                      Next Retry In     : 14 sec
PathCompMethod    : local-cspf              OperPathCompMethod: N/A
MetricType        : igp                    Oper MetricType   : N/A
LocalSrProt       : none                   Oper LocalSrProt  : N/A
LabelStackRed     : Disabled               Oper LabelStackRed: N/A

Bandwidth         : No Reservation          Oper Bandwidth    : N/A
Hop Limit         : 255                    Oper HopLimit     : N/A
Setup Priority    : 7                      Oper SetupPriority: N/A
Hold Priority     : 0                      Oper HoldPriority  : N/A
Inter-area       : N/A

---snip---

IGP/TE Metric     : N/A                    Oper Metric       : N/A
Oper MTU          : N/A                    Path Trans        : 0
Failure Code    : noCspfRouteToDestination
Failure Node     : 192.0.2.2
Explicit Hops    :
  No Hops Specified
Actual Hops      :
  No Hops Specified

---snip---
```

Conclusion

Within a single-level IS-IS network or a single-area OSPF network, SR-TE LSP path calculation using local CSPF on the head-end router results in an end-to-end path using IPv4 adjacencies. The local CSPF path computation method can also be used for RSVP-TE LSPs.

SRv6 Encapsulation in the Base Routing Instance

This chapter provides information about SRv6 encapsulation in the base routing instance.

Topics in this chapter include:

- [Applicability](#)
- [Overview](#)
- [Configuration](#)
- [Conclusion](#)

Applicability

The information and configuration in this chapter are based on SR OS Release 22.2.R1. Segment Routing over IPv6 (SRv6) is supported on FP4-based equipment in SR OS Release 21.5.R2 and later.

Overview

SRv6 encapsulation in the base routing instance allows the transport of native IPv4 and IPv6 data across an SRv6-enabled network. To this end, native IPv4 and IPv6 data is sent to an ingress SRv6 router, where it is encapsulated and forwarded via an SRv6 tunnel. The SRv6 tunnel transports the encapsulated data across the SRv6-enabled network to an egress SRv6 router, where it is decapsulated and forwarded further as native IPv4 and IPv6 data. SRv6-tunneled data is encapsulated using an IPv6 header, where the destination address is a unique SRv6 segment identifier (SID), and is processed and forwarded in the IPv6 data plane.

An SRv6 SID is a preconfigured 128-bit routable IPv6 prefix address that is encoded in three parts: a locator, a function, and an argument. The locator is a summary IPv6 prefix for a set of SRv6 SIDs instantiated on an SRv6-capable router. It is used to route the data within the IPv6 transport network. Each participating SRv6-capable router needs its unique locator, based on a common block that all participating SRv6-capable routers share in the IPv6 address space. The function is an opaque identifier that indicates the local behavior at the endpoint of an SRv6 segment. The focus in this topic is on the SRv6 End.DT4 and the SRv6 End.DT6 functions, performing a prefix lookup in the global IPv4 route table (End.DT4) or in the global IPv6 route table (End.DT6). The argument is not used in SR OS 22.2.R1 and is set to all zeros.

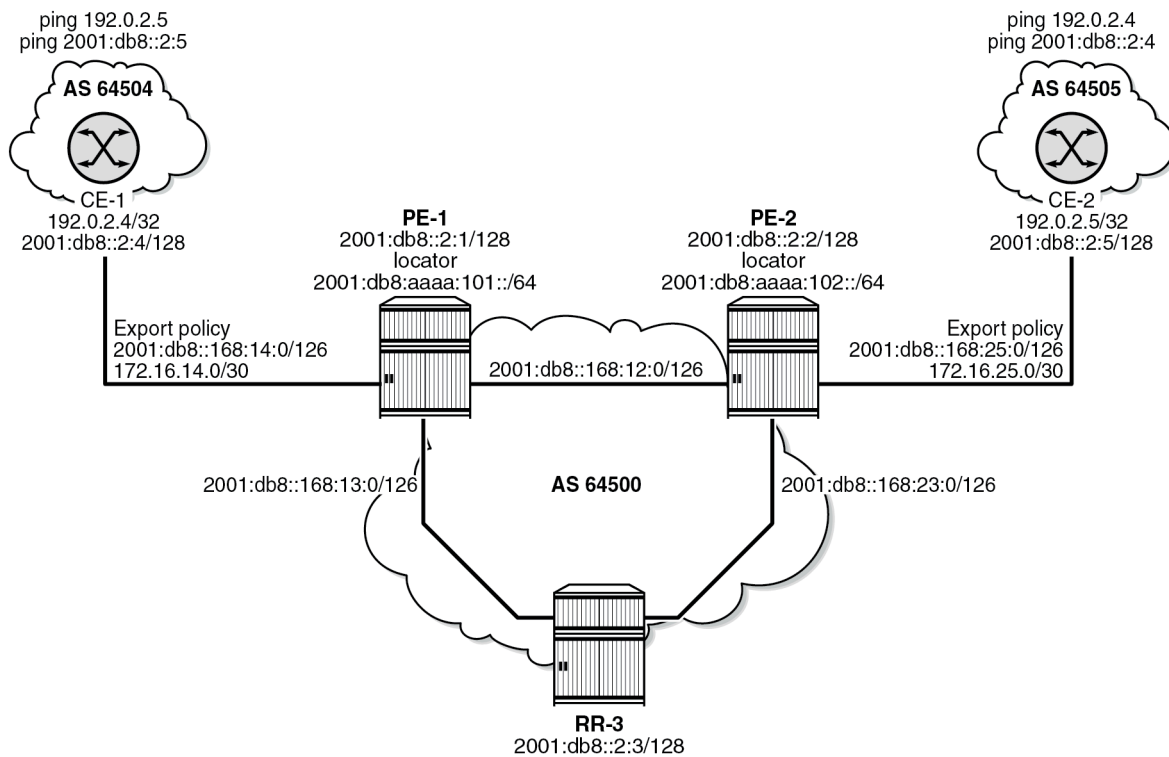
The local router installs its locator prefix in its IPv6 route table and Forwarding Information Base (FIB), and advertises its locator prefix in IS-IS with the SRv6 locator sub-TLV. Each remote router populates its route table and FIB with the received locator prefixes, including the tunneled next hop to the originating router.

SRv6 data transport requires additional processing at both the ingress and egress data planes. This processing relies on Forwarding Path Extension (FPE), as described in the [Segment Routing over IPv6](#) chapter.

Configuration

Figure 57: Example topology shows the example topology with five routers. Two routers (CE-1 and CE-2) simulate an IPv4-enabled network. They are connected to an SRv6-enabled network, comprising of PE-1 and PE-2, and a route reflector (RR) RR-3 in the control plane. The SRv6-enabled network has only IPv6 addresses and interfaces.

Figure 57: Example topology



37602

For the transport of native IPv4 and IPv6 data from CE-1 to CE-2, PE-1 acts as the SRv6 ingress PE node, while PE-2 acts as the SRv6 egress PE node. For the transport of native IPv4 and IPv6 data from CE-2 to CE-1, PE-2 acts as the SRv6 ingress PE node, while PE-1 acts as the SRv6 egress PE node. To describe the SRv6 encapsulation concept, the topology does not need an SRv6 transit router because SRv6 transit routers simply forward SRv6-encapsulated packets via IPv6 route table lookup without any other processing.

SRv6 and FPE are configured only on PE-1 and on PE-2. RR-3 acts as the BGP RR in the control plane and does not participate in the SRv6 data transport that only exists between PE-1 and PE-2.

The **ping** and **traceroute** commands between IPv4 and IPv6 system addresses of CE-1 and CE-2 simulate data transport.

The configuration for this example topology is completely symmetrical. All **configure** and **show** command outputs for PE-1 also apply for PE-2, and similar for CE-1 and CE-2.

The following sections describe the configuration steps needed to establish SRv6 Encapsulation in the base routing instance.

Configure the transport network:

This configuration includes:

- ports and IPv6-only interfaces on PE-1, PE-2, and RR-3
- port cross connect (PXC) and FPE on PE-1 and PE-2 (using internal loopbacks on an FP4 MAC chip), as described in the [Segment Routing over IPv6](#) chapter.
- IS-IS on PE-1, PE-2, and RR-3 including:
 - level 2 capability with wide metrics (for the 128-bit identifiers)
 - native IPv6 routing
 - as best practice, include also: **traffic-engineering** and **traffic-engineering-options** on PE-1 and PE-2
 - advertise the router capability within the autonomous system (AS) (not for RR-3)
- BGP on PE-1, PE-2, and RR-3, with internal group “gr_v6_internal” that includes:
 - IPv4 and IPv6 address families
 - **extended-nh-encoding** for IPv4
 - **advertise-ipv6-next-hops** for IPv4
 - **next-hop-self** (not for RR-3)
 - BGP neighbor **system** IPv6 addresses

The core network topology uses IPv6 for BGP peering (with 16-byte next hop addresses), so to advertise and receive IPv4 routes (which have 4-byte next hop addresses) with IPv6 next hop addresses the commands **advertise-ipv6-next-hops** and **extended-nh-encoding** need to be configured at the BGP, group, or neighbor level. The **advertise-ipv6-next-hops** command instructs the system to advertise IPv4 routes with an IPv6 next hop address. The **extended-nh-encoding** command configures BGP to advertise the capability to receive IPv4 routes with an IPv6 next hop address.

The following example configuration applies for PE-1 and is similar for PE-2.

```
*A:PE-1# configure
router Base
  interface "int-PE-1-PE-2"
    description "interface between PE-1 and PE-2"
    port 1/1/c1/1:1000
    ipv6
      address 2001:db8::168:12:1/126
    exit
    no shutdown
  exit
  interface "int-PE-1-RR-3"
    description "interface between PE-1 and RR-3"
    port 1/1/c2/1:1000
    ipv6
      address 2001:db8::168:13:1/126
    exit
    no shutdown
  exit
  interface "system"
```

```

description "system interface of PE-1"
ipv6
  address 2001:db8::2:1/128
exit
no shutdown
exit
autonomous-system 64500
isis 0
  router-id 1.1.1.1
  level-capability level-2 # required for SRv6
  area-id 49.0001
  traffic-engineering
  traffic-engineering-options
    ipv6
    application-link-attributes
  exit
  exit
  advertise-router-capability as
  ipv6-routing native
  level 2
    wide-metrics-only # required for SRv6
  exit
  interface "system"
    passive
    no shutdown
  exit
  interface "int-PE-1-PE-2"
    interface-type point-to-point
    no shutdown
  exit
  interface "int-PE-1-RR-3"
    interface-type point-to-point
    no shutdown
  exit
  no shutdown
exit
bgp
  min-route-advertisement 1
  router-id 2.2.2.1
  rapid-withdrawal
  split-horizon
  group "gr_v6_internal"
    description "internal bgp group on PE-1"
    family ipv4 ipv6
    next-hop-self
    type internal
    extended-nh-encoding ipv4
    advertise-ipv6-next-hops ipv4
    neighbor 2001:db8::2:3 # RR-3 system address
  exit
  exit
  no shutdown
  exit
exit all

```

The following example configuration applies for RR-3:

```

*A:RR-3# configure
router Base
  interface "int-RR-3-PE-1"
    description "interface between RR-3 and PE-1"
    ipv6
      address 2001:db8::168:13:2/126

```

```

        exit
        port 1/1/c1/1:1000
    exit
    interface "int-RR-3-PE-2"
        description "interface between RR-3 and PE-2"
        ipv6
            address 2001:db8::168:23:2/126
        exit
        port 1/1/c2/1:1000
    exit
    interface "system"
        description "system interface of RR-3"
        ipv6
            address 2001:db8::2:3/128
        exit
    exit
    autonomous-system 64500
    isis 0
        router-id 1.1.1.3
        level-capability level-2    # required for SRv6
        area-id 49.0001
        ipv6-routing native
        level 2
            wide-metrics-only    # required for SRv6
        exit
        interface "system"
            passive
            no shutdown
        exit
        interface "int-RR-3-PE-1"
            interface-type point-to-point
            no shutdown
        exit
        interface "int-RR-3-PE-2"
            interface-type point-to-point
            no shutdown
        exit
        no shutdown
    exit
    bgp
        min-route-advertisement 1
        router-id 2.2.2.3
        rapid-withdrawal
        split-horizon
        group "gr_v6_internal"
            description "internal bgp group on RR-3"
            family ipv4 ipv6
            type internal
            cluster 3.3.3.3
            extended-nh-encoding ipv4
            advertise-ipv6-next-hops ipv4
            neighbor 2001:db8::2:1    # PE-1 system address
            exit
            neighbor 2001:db8::2:2    # PE-2 system address
            exit
        exit
        no shutdown
    exit
exit all

```

Configure CE-1 and CE-2 for native IPv4 and IPv6 data

This configuration includes:

- ports and IPv4 and IPv6 interfaces between CE-1 and PE-1 and between CE-2 and PE-2
- an IPv4 system address and an IPv6 system address for CE-1 and for CE-2
- BGP, with external group “gr_v6_external” that includes the following capabilities:
 - IPv4 and IPv6 address families
 - **extended-nh-encoding** for IPv4
 - **advertise-ipv6-next-hops** for IPv4
 - BGP neighbor **interface** IPv6 addresses, with BGP neighbors in a different external autonomous system

The following example configuration applies for PE-1 and is similar for PE-2. The **strip-srv6-tlvs** command (per address family) prevents PE-1 from advertising SRv6 TLVs to the BGP neighbor.

```
*A:PE-1# configure
router Base
  interface "int-PE-1-CE-1"
    address 172.16.14.1/30
    description "interface between PE-1 and CE-1"
    port 1/1/c6/1:1000
    ipv6
      address 2001:db8::168:14:1/126
    exit
  no shutdown
exit
bgp
  group "gr_v6_external"
    description "external bgp group on PE-1"
    family ipv4 ipv6
    extended-nh-encoding ipv4
    advertise-ipv6-next-hops ipv4
    neighbor 2001:db8::168:14:2
      type external
      peer-as 64504
      segment-routing-v6
        route-advertisement
          family ipv4
            strip-srv6-tlvs
          exit
          family ipv6
            strip-srv6-tlvs
          exit
        exit
      exit
    exit
  exit
exit
no shutdown
exit
exit all
```

The following example configuration applies for CE-2 and is similar for CE-1.

```
*A:CE-2# configure
router Base
```

```

interface "int-CE-2-PE-2"
  description "interface between CE-2 and PE-2"
  address 172.16.25.2/30
  ipv6
    address 2001:db8::168:25:2/126
  exit
  port 1/1/c1/1:1000
exit
interface "system"
  address 192.0.2.5/32 # used for IPv4 ping
  description "system interface of CE-2"
  ipv6
    address 2001:db8::2:5/128 # used for IPv6 ping
  exit
exit
autonomous-system 64505
bgp
  min-route-advertisement 1
  router-id 2.2.2.5
  rapid-withdrawal
  split-horizon
  group "gr_v6_external"
    description "external bgp group on CE-2"
    family ipv4 ipv6
    extended-nh-encoding ipv4
    advertise-ipv6-next-hops ipv4
    neighbor 2001:db8::168:25:1
      type external
      peer-as 64500
    exit
  exit
  no shutdown
exit
exit all

```

Ensure the export of the system addresses of CE-1 and CE-2

Configure a policy on CE-2 that imports the IPv4 and IPv6 prefixes into BGP. Configure a similar policy on CE-1.

```

*A:CE-2# configure router Base
  policy-options
    begin
    prefix-list "CE-2_prefixes"
      prefix 192.0.2.5/32 exact
      prefix 2001:db8::2:5/128 exact
    exit
    policy-statement "policy-export-bgp"
      entry 10
        from
          prefix-list "CE-2_prefixes"
        exit
        action accept
        exit
      exit
    exit
  commit
exit all

```

Apply this policy on CE-2 to the BGP neighbor PE-2. Perform a similar configuration on CE-1 to the BGP neighbor PE-1.

```
*A:CE-2# configure router Base
  bgp
    group "gr_v6_external"
      neighbor 2001:db8::168:25:1
        export "policy-export-bgp"
    exit
  exit
exit all
```

Verify the IPv4 and IPv6 route tables. The corresponding FIBs can be verified with the **show router fib 1 ipv4** and **show router fib 1 ipv6** commands.

On CE-1:

192.0.2.4/32 is the IPv4 system address of CE-1. 192.0.2.5/32 is the IPv4 system address of CE-2, which is reached via PE-1.

```
*A:CE-1# show router route-table ipv4

=====
Route Table (Router: Base)
=====
Dest Prefix[Flags]
  Next Hop[Interface Name]          Type   Proto   Age           Pref
                                     Metric
-----
192.0.2.4/32
  int-CE-1-PE-1                    Local  Local   00h04m04s    0
                                     0
192.0.2.4/32
  system                             Local  Local   00h04m04s    0
                                     0
192.0.2.5/32
  2001:db8::168:14:1              Remote BGP     00h00m20s   170
                                     0
-----
No. of Routes: 3
---snip---
```

2001:db8::2:4/128 is the IPv6 system address of CE-1. 2001:db8::2:5/128 is the IPv6 system address of CE-2, which is reached via PE-1.

```
*A:CE-1# show router route-table ipv6

=====
IPv6 Route Table (Router: Base)
=====
Dest Prefix[Flags]
  Next Hop[Interface Name]          Type   Proto   Age           Pref
                                     Metric
-----
2001:db8::2:4/128
  system                             Local  Local   00h04m04s    0
                                     0
2001:db8::2:5/128
  2001:db8::168:14:1              Remote BGP     00h00m20s   170
                                     0
2001:db8::168:14:0/126
  int-CE-1-PE-1                    Local  Local   00h04m03s    0
                                     0
-----
No. of Routes: 3
---snip---
```

On PE-1:

```
*A:PE-1# show router route-table ipv4
=====
Route Table (Router: Base)
=====
Dest Prefix[Flags]                Type  Proto  Age      Pref
  Next Hop[Interface Name]          Metric
-----
172.16.14.0/30                    Local  Local  00h04m32s  0
      int-PE-1-CE-1                  0
192.0.2.4/32                      Remote BGP    00h00m31s  170
      2001:db8::168:14:2              0
192.0.2.5/32                      Remote BGP    00h00m15s  170
      fe80::60e:1ff:fe01:1-"int-PE-1-PE-2"  10
-----
No. of Routes: 3
---snip---
```

```
*A:PE-1# show router route-table ipv6
=====
IPv6 Route Table (Router: Base)
=====
Dest Prefix[Flags]                Type  Proto  Age      Pref
  Next Hop[Interface Name]          Metric
-----
2001:db8::2:1/128                 Local  Local  00h09m39s  0
      system                          0
2001:db8::2:2/128                 Remote  ISIS   00h07m25s  18
      fe80::60e:1ff:fe01:1-"int-PE-1-PE-2"  10
2001:db8::2:3/128                 Remote  ISIS   00h07m13s  18
      fe80::611:ffff:fe00:0-"int-PE-1-RR-3"  10
2001:db8::2:4/128                 Remote BGP    00h00m31s  170
      2001:db8::168:14:2              0
2001:db8::2:5/128                 Remote BGP    00h00m15s  170
      fe80::60e:1ff:fe01:1-"int-PE-1-PE-2"  10
2001:db8::168:12:0/126            Local  Local  00h09m37s  0
      int-PE-1-PE-2                  0
2001:db8::168:13:0/126            Local  Local  00h09m37s  0
      int-PE-1-RR-3                  0
2001:db8::168:14:0/126            Local  Local  00h04m31s  0
      int-PE-1-CE-1                  0
2001:db8::168:23:0/126            Remote  ISIS   00h07m25s  18
      fe80::60e:1ff:fe01:1-"int-PE-1-PE-2"  20
-----
No. of Routes: 9
---snip---
```

On PE-2:

```
*A:PE-2# show router route-table ipv4
=====
Route Table (Router: Base)
=====
Dest Prefix[Flags]                Type  Proto  Age      Pref
  Next Hop[Interface Name]          Metric
-----
```

```

172.16.25.0/30                Local   Local   00h04m23s  0
    int-PE-2-CE-2              0
192.0.2.4/32                 Remote  BGP     00h00m31s  170
    fe80::60a:1ff:fe01:1-"int-PE-2-PE-1"  10
192.0.2.5/32                 Remote  BGP     00h00m18s  170
    2001:db8::168:25:2         0
-----
No. of Routes: 3
---snip---
=====

```

```

*A:PE-2# show router route-table ipv6

=====
IPv6 Route Table (Router: Base)
=====
Dest Prefix[Flags]          Type   Proto   Age           Pref
Next Hop[Interface Name]   Metric
-----
2001:db8::2:1/128          Remote  ISIS    00h07m22s    18
    fe80::60a:1ff:fe01:1-"int-PE-2-PE-1"  10
2001:db8::2:2/128          Local   Local   00h09m21s    0
    system
2001:db8::2:3/128          Remote  ISIS    00h07m15s    18
    fe80::611:ffff:fe00:0-"int-PE-2-RR-3"  10
2001:db8::2:4/128         Remote  BGP     00h00m31s    170
    fe80::60a:1ff:fe01:1-"int-PE-2-PE-1"  10
2001:db8::2:5/128         Remote  BGP     00h00m18s    170
    2001:db8::168:25:2         0
2001:db8::168:12:0/126     Local   Local   00h09m21s    0
    int-PE-2-PE-1              0
2001:db8::168:13:0/126     Remote  ISIS    00h07m22s    18
    fe80::60a:1ff:fe01:1-"int-PE-2-PE-1"  20
2001:db8::168:23:0/126     Local   Local   00h09m20s    0
    int-PE-2-RR-3              0
2001:db8::168:25:0/126     Local   Local   00h04m21s    0
    int-PE-2-CE-2              0
-----
No. of Routes: 9
---snip---
=====

```

IPv4 data transport is not possible between CE-1 and CE-2. Verify this with a **ping** from CE-1 to the IPv4 system address that CE-2 advertises.

```

*A:CE-1# ping 192.0.2.5
PING 192.0.2.5 56 data bytes
Request timed out. icmp_seq=1.
---snip---
---- 192.0.2.5 PING Statistics ----
5 packets transmitted, 0 packets received, 100% packet loss

```

IPv6 data transport is possible between CE-1 and CE-2, although not by using SRv6 between PE-1 and PE-2 but by using native IPv6. Verify this with a **ping** and a **traceroute** from CE-1 to the IPv6 system address that CE-2 advertises.

```

*A:CE-1# ping 2001:db8::2:5
PING 2001:db8::2:5 56 data bytes
64 bytes from 2001:db8::2:5 icmp_seq=1 hlim=62 time=1.99ms.
---snip---
---- 2001:db8::2:5 PING Statistics ----

```



```
5 packets transmitted, 5 packets received, 0.00% packet loss
round-trip min = 1.72ms, avg = 1.93ms, max = 2.10ms, stddev = 0.133ms
```

Native IPv6 data flows over an IPv6 interface from CE-1 to PE-1, from there over an IPv6 interface to PE-2, and from there over an IPv6 interface to CE-2. The same is true for data transport between CE-2 and CE-1.

```
*A:CE-1# # traceroute 192.0.2.5
*A:CE-1# traceroute 2001:db8::2:5
traceroute to 2001:db8::2:5, 30 hops max, 60 byte packets
 1 2001:db8::168:14:1 (2001:db8::168:14:1)  1.21 ms  1.08 ms  0.918 ms
 2 2001:db8::168:12:2 (2001:db8::168:12:2)  1.52 ms  1.51 ms  1.54 ms
 3 2001:db8::2:5 (2001:db8::2:5)  1.94 ms  1.92 ms  2.03 ms
```

Configure SRv6 in the router base context on PE-1 and PE-2

Configure the locator in the **router Base segment-routing segment-routing-v6** context on PE-2. Perform a similar configuration on PE-1, with **ip-prefix 2001:db8:aaaa:101::/64** for locator "PE-1_loc".

```
*A:PE-2# configure router Base segment-routing
      segment-routing-v6
        locator "PE-2_loc"
          block-length 48
          prefix
            ip-prefix 2001:db8:aaaa:102::/64
          exit
        no shutdown
      exit
    exit all
```

Configure the FPEs on PE-1 and PE-2.

```
*A:PE-2# configure
      fwd-path-ext
        fpe 1 create
          path pxc 1
          srv6 origination
            interface-a
            exit
            interface-b
            exit
          exit
        exit
      fpe 2 create
          path pxc 2
          srv6 termination
            interface-a
            exit
            interface-b
            exit
          exit
        exit
      exit
    exit all
```

Use FPE 1 as the SRv6 origination FPE in the **router Base segment-routing segment-routing-v6** context and FPE 2 as the SRv6 termination FPE in the **router Base segment-routing segment-routing-v6 locator** context on PE-2. Perform a similar configuration on PE-1 for locator "PE-1_loc".

```
*A:PE-2# configure router Base segment-routing
      segment-routing-v6
        origination-fpe 1
        locator "PE-2_loc"
          termination-fpe 2
          no shutdown
        exit
      exit all
```

Configure the SRv6 End function (equivalent to an IPv4 node SID) and SRv6 End.X functions (equivalent to IPv4 Adjacency SIDs) in the **router Base segment-routing segment-routing-v6 base-routing-instance locator** context on PE-2. Perform a similar configuration on PE-1 for locator "PE-1_loc".

```
*A:PE-2# configure router Base segment-routing
      segment-routing-v6
        locator "PE-2_loc"
          static-function
            max-entries 1
          exit
          no shutdown
        exit
      base-routing-instance
        locator "PE-2_loc"
          function
            end-x-auto-allocate srh-mode psp protection unprotected
            end 1
            srh-mode usp
          exit
        exit
      exit
    exit
  exit all
```

Advertise the locator in IS-IS while ensuring level 2 capability on PE-2. Perform a similar configuration on PE-1 for locator "PE-1_loc".

```
*A:PE-2# configure router Base isis 0
      segment-routing-v6
        locator "PE-2_loc"
          level-capability level-2
          level 1
          exit
          level 2
          exit
        exit
      no shutdown
    exit all
```

A summary on locator and origination FPE configuration can be verified with the **show router segment-routing-v6 summary** command.

Verify the SRv6 local SIDs on PE-2 and similar on PE-1. Three SRv6 local SIDs are created: one for the statically configured SRv6 End function (configured in the base context) and two for the auto-allocated SRv6 End.X functions (one facing PE-1 and one facing RR-3). All three SRv6 local SIDs are concatenated with the locator. The statically configured SRv6 End function appears first with function number 1. The

auto-allocated SRv6 End.X functions get subsequent function numbers, 2 and 3 respectively. RR-3 has no SRv6 configuration and does not have these SRv6 local SIDs and SRv6 functions.

```
*A:PE-2# show router segment-routing-v6 local-sid

=====
Segment Routing v6 Local SIDs
=====
SID                               Type           Function
Locator
Context
-----
2001:db8:aaaa:102:0:1000::        End            1
PE-2_loc
Base
2001:db8:aaaa:102:0:2000::        End.X          2
PE-2_loc
None
2001:db8:aaaa:102:0:3000::        End.X          3
PE-2_loc
None
-----
SIDs : 3
=====
```

Verify the SRv6 base routing instance details on PE-2 and similar on PE-1. The SRv6 End function is statically configured. There is an auto-allocated SRv6 End.X function for each IS-IS neighbor.

```
*A:PE-2# show router segment-routing-v6 base-routing-instance

=====
Segment Routing v6 Base Routing Instance
=====
Locator
Type           Function      SID                               Status/InstId
SRH-mode      Protection   Interface
-----
PE-2_loc
End            1 2001:db8:aaaa:102:0:1000::        ok
USP
-----
Auto-allocated End.X: PSP Unprotected,
-----
End.X          *2 2001:db8:aaaa:102:0:2000::        0
PSP           Unprotected int-PE-2-PE-1
ISIS Level: L2 Mac Address: 04:0a:01:01:00:01 Nbr Sys Id: 0010.0100.1001
End.X          *3 2001:db8:aaaa:102:0:3000::        0
PSP           Unprotected int-PE-2-RR-3
ISIS Level: L2 Mac Address: 04:12:01:01:00:0b Nbr Sys Id: 0010.0100.1003
-----
Legend: * - System allocated
```

Verify the IPv6 route table on PE-1. The IPv6 route table has also routes to the local and the learned remote locators and to the local SRv6 function SIDs. The remotely configured locator prefix of PE-2 is reached via an SRv6 tunnel. The routes with protocol “SRv6” correspond with the locally configured locator prefix of PE-1, or the locally configured SRv6 End function.

```
*A:PE-1# show router route-table ipv6
```

```

=====
IPv6 Route Table (Router: Base)
=====
Dest Prefix[Flags]                               Type  Proto  Age           Pref
  Next Hop[Interface Name]                       Metric
-----
---snip---
2001:db8:aaaa:101::/64                            Local  SRV6    00h02m05s    3
      fe80::201- "_tmnx_fpe_2.a"                  0
2001:db8:aaaa:101:0:1000::/128                    Local  SRV6    00h01m17s    3
      Black Hole                                  0
2001:db8:aaaa:101:0:2000::/128                    Local  ISIS    00h00m38s    18
      fe80::60e:1ff:fe01:1-"int-PE-1-PE-2"        10
2001:db8:aaaa:101:0:3000::/128                    Local  ISIS    00h00m38s    18
      fe80::611:ffff:fe00:0-"int-PE-1-RR-3"       10
2001:db8:aaaa:102::/64                            Remote  ISIS    00h00m26s    18
      2001:db8:aaaa:102::/64 (tunneled:SRV6-ISIS)  10
-----
No. of Routes: 14
---snip---
=====

```

Verify the IS-IS routes on PE-1 and similar on PE-2. This corresponds with the information in the route table (and FIB). IS-IS is not configured on CE-1 and CE-2, so CE-1 and CE-2 have no IS-IS routes.

```

*A:PE-1# show router isis routes

=====
Rtr Base ISIS Instance 0 Route Table
=====
Prefix[Flags]                               Metric  Lvl/Typ  Ver.  SysID/Hostname
  NextHop                                     MT      AdminTag/SID[F]
-----
2001:db8::2:1/128                            0       2/Int.   2     PE-1
      ::                                       0
2001:db8::2:2/128                            10      2/Int.   10    PE-2
      fe80::60e:1ff:fe01:1-"int-PE-1-PE-2"    0
2001:db8::2:3/128                            10      2/Int.   10    RR-3
      fe80::611:ffff:fe00:0-"int-PE-1-RR-3"  0
2001:db8::168:12:0/126                       10      2/Int.   4     PE-1
      ::                                       0
2001:db8::168:13:0/126                       10      2/Int.   4     PE-1
      ::                                       0
2001:db8::168:23:0/126                       20      2/Int.   10    PE-2
      fe80::60e:1ff:fe01:1-"int-PE-1-PE-2"    0
2001:db8:aaaa:101::/64                      0       2/Int.   11    PE-1
      ::                                       0
2001:db8:aaaa:102::/64                      10      2/Int.   11    PE-2
      fe80::60e:1ff:fe01:1-"int-PE-1-PE-2"    0
-----
No. of Routes: 8 (8 paths)
---snip---
=====

```

The locator prefixes and who advertises them can be verified with the **show router isis segment-routing-v6 locator** command. The SRv6 End SIDs and who advertises them can be verified with the **show router isis segment-routing-v6 end-sid** command.

The IS-IS data base can be verified with the **show router isis database detail** command.

The output of this command provides information about each IS-IS-enabled router. Per uniquely identified IS-IS-enabled router, the SRv6 information indicates:

- the IS-IS-advertised router capabilities
- the advertised SRv6 locator TLV
- the advertised configured SRv6 End SID and auto-allocated SRv6 End.X SIDs

The BGP groups can be verified with the **show router bgp group** command. PE-1 and PE-2 know the iBGP and eBGP peers. RR-3 only knows the iBGP peers. CE-1 and CE-2 only know the eBGP peers.

The BGP next hops can be verified with the **show router bgp next-hop ipv4** and **show router bgp next-hop ipv6** commands.

Configure SRv6 End.DT4 and SRv6 End.DT6 functions on PE-1 and PE-2

Configure SRv6 End.DT4 and SRv6 End.DT6 functions in the **router Base segment-routing segment-routing-v6 base-routing-instance locator function** context on PE-1. They can have statically or automatically allocated values. For statically allocated values, an SRv6 reserved label block must be configured. Perform an identical configuration on PE-2.

```
*A:PE-1# configure router Base
      mpls-labels
        sr-labels start 20000 end 20999
          reserved-label-block "SRv6"
            start-label 30100 end-label 30199
          exit
        exit
      exit all
```

This SRv6 reserved label block must be referenced in the **router Base segment-routing segment-routing-v6 locator static-function** context on PE-2, where also the total number of static functions, including the already existing SRv6 End function (with value 1), must be set. Perform a similar configuration on PE-1 for locator "PE-1_loc". This requires a shutdown of the locator.

```
*A:PE-2# configure router Base segment-routing
      segment-routing-v6
        source-address 2001:db8::2:2
        locator "PE-2_loc"
          shutdown
          static-function
            label-block "SRv6"
            max-entries 3
          exit
          no shutdown
        exit
      base-routing-instance
        locator "PE-2_loc"
          function
            end-dt4 2
            end-dt6 3
          exit
        exit
      exit
    exit
  exit all
```

The SRv6 End.DT4 and SRv6 End.DT6 functions are allocated the unique static values of 2 and 3 respectively. The values allocated must not exceed the **max-entries** value.

Each PE must resolve the BGP next hop to an SRv6 End.DT4 or End.DT6 Segment ID. Therefore, each PE must advertise route prefixes within a BGP update message that includes an SRv6 Services TLV.

This is achieved by configuring the **add-srv6-tlvs** command along with the locator value for each address family, IPv4 and IPv6.

When a PE receives a BGP update that includes the SRv6 Services TLV, the default behavior is to ignore this TLV, and resolve the next hop to the tunnel type configured in an **auto-bind-tunnel** statement. To override this behavior, **no ignore-received-srv6-tlvs** must be set for IPv4 and IPv6 address families on PE-1. Perform a similar configuration on PE-2 for locator "PE-2_loc".

```
*A:PE-1# configure router Base bgp
      segment-routing-v6
        family ipv4
          add-srv6-tlvs locator "PE-1_loc"
          exit
          no ignore-received-srv6-tlvs
        exit
        family ipv6
          add-srv6-tlvs locator "PE-1_loc"
          exit
          no ignore-received-srv6-tlvs
        exit
      exit all
```

CE-2 sends BGP updates to PE-2 for the IPv4 and the IPv6 address families respectively. Each BGP update advertises the IPv4 or IPv6 address family, the reachable network prefixes, and the autonomous system to which they belong. PE-2 adds an SRv6 Services TLV, indicating that resolution to an SRv6 SID is available, making use of the endpoint behavior that is configured for the IPv4 or IPv6 address family on the locator. PE-2 advertises the BGP updates to PE-1 via the RR. PE-1 programs the route prefixes in its route table and FIB with an SRv6 tunnel next hop, and forwards the BGP updates to CE-1. CE-1 programs the learned route prefixes in its route table and FIB.

Similar BGP updates flow from CE-1 to CE-2, via PE-1, RR-3, and PE-2. PE-1 and PE-2 advertise only the SRv6 SIDs for the SRv6 End.DT4 and SRv6 End.DT6 functions.

After the BGP updates, the IS-IS data base remains the same, except for the renumbering of the SRv6 End.X functions. This can be verified with the **show router isis database detail** command.

The BGP next hops remain the same, except for the next hops to the system addresses of PE-1 and PE-2 that switch owner from "ISIS" to "N/A". This can be verified with the **show router bgp next-hop ipv4** and **show router bgp next-hop ipv6** commands.

When debug logging for BGP updates is configured, the configuration results in the following BGP update logs for the IPv4 address family.

Focus as an example on prefix 192.0.2.5/32 and on prefix 192.0.2.4/32, but in the other direction.

Verify the IPv4 BGP routes.

CE-2 advertises route prefix 192.0.2.5/32 to PE-2 (in RIB Out Entries).

```
*A:CE-2# show router bgp routes 192.0.2.5 hunt
=====
BGP Router ID:2.2.2.5          AS:64505          Local AS:64505
=====
---snip---
=====
BGP IPv4 Routes
=====
-----
RIB In Entries
-----
```

```

-----
RIB Out Entries
-----
Network       : 192.0.2.5/32
NextHop       : 2001:db8::168:25:2
Path Id       : None
To            : 2001:db8::168:25:1
Res. Protocol : INVALID           Res. Metric   : 0
Res. NextHop  : n/a
Local Pref.   : n/a               Interface Name : NotAvailable
Aggregator AS : None              Aggregator    : None
Atomic Aggr.  : Not Atomic        MED           : None
AIGP Metric   : None              IGP Cost      : n/a
Connector     : None
Community     : No Community Members
Cluster       : No Cluster Members
Originator Id : None              Peer Router Id : 2.2.2.2
Origin        : IGP
AS-Path       : 64505
Route Tag     : 0
Neighbor-AS   : 64505
Orig Validation: NotFound
Source Class  : 0                  Dest Class    : 0
-----
Routes : 1
=====

```

PE-2 receives the BGP update which CE-2 sends for the IPv4 address family:

```

*A:PE-2# show log log-id 2

---snip---
5 2022/07/18 15:30:35.785 UTC MINOR: DEBUG #2001 Base Peer 1: 2001:db8::168:25:2
"Peer 1: 2001:db8::168:25:2: UPDATE
Peer 1: 2001:db8::168:25:2 - Received BGP UPDATE:
  Withdrawn Length = 0
  Total Path Attr Length = 43
  Flag: 0x90 Type: 14 Len: 26 Multiprotocol Reachable NLRI:
    Address Family IPV4
    NextHop len 16 Global NextHop 2001:db8::168:25:2
    192.0.2.5/32
  Flag: 0x40 Type: 1 Len: 1 Origin: 0
  Flag: 0x40 Type: 2 Len: 6 AS Path:
    Type: 2 Len: 1 < 64505 >
"
---snip---

```

Upon receipt of the BGP update from CE-2, PE-2 programs route prefix 192.0.2.5/32 in its route table and FIB, with the interface toward CE-2 as next hop.

Verify the resulting IPv4 route table on PE-2:

```

*A:PE-2# show router route-table ipv4

=====
Route Table (Router: Base)
=====
Dest Prefix[Flags]                Type  Proto  Age           Pref
  Next Hop[Interface Name]                Metric
-----
172.16.25.0/30                    Local Local  00h11m30s    0
  int-PE-2-CE-2                                0

```

```

192.0.2.4/32                               Remote BGP      00h00m30s 170
      2001:db8:aaaa:101:0:2000:: (tunneled:SRV6)
192.0.2.5/32                               Remote BGP      00h07m25s 170
      2001:db8::168:25:2                    0
-----
No. of Routes: 3
---snip---
=====

```

Verify the corresponding IPv4 BGP routes on PE-2:

```

*A:PE-2# show router bgp routes 192.0.2.5 hunt
=====
BGP Router ID:2.2.2.2      AS:64500      Local AS:64500
=====
---snip---
=====
BGP IPv4 Routes
=====
RIB In Entries
-----
Network      : 192.0.2.5/32
NextHop      : 2001:db8::168:25:2
Path Id      : None
From         : 2001:db8::168:25:2
Res. Protocol : LOCAL           Res. Metric   : 0
Res. NextHop  : 2001:db8::168:25:2
Local Pref.   : None           Interface Name : int-PE-2-CE-2
Aggregator AS : None           Aggregator    : None
Atomic Aggr.  : Not Atomic     MED           : None
AIGP Metric   : None           IGP Cost      : 0
Connector     : None
Community     : No Community Members
Cluster       : No Cluster Members
Originator Id : None           Peer Router Id : 2.2.2.5
Fwd Class     : None           Priority       : None
Flags         : Used Valid Best IGP In-RTM
Route Source  : External
AS-Path       : 64505
Route Tag     : 0
Neighbor-AS   : 64505
Orig Validation: NotFound
Source Class  : 0               Dest Class    : 0
Add Paths Send : Default
RIB Priority   : Normal
Last Modified : 00h07m26s
-----
RIB Out Entries
-----
Network      : 192.0.2.5/32
NextHop      : 2001:db8::2:2
Path Id      : None
To          : 2001:db8::2:3
Res. Protocol : INVALID       Res. Metric   : 0
Res. NextHop  : n/a
Local Pref.   : 100           Interface Name : NotAvailable
Aggregator AS : None           Aggregator    : None
Atomic Aggr.  : Not Atomic     MED           : None
AIGP Metric   : None           IGP Cost      : 0
Connector     : None
Community     : No Community Members

```



```

Cluster      : No Cluster Members
Originator Id : None                Peer Router Id : 2.2.2.3
Origin       : IGP
AS-Path      : 64505
Route Tag    : 0
Neighbor-AS  : 64505
Orig Validation: NotFound
Source Class : 0                    Dest Class      : 0
SRv6 TLV Type : SRv6 L3 Service TLV (5)
SRv6 SubTLV   : SRv6 SID Information (1)
Sid           : 2001:db8:aaaa:102:0:2000::
Behavior      : End.DT4 (19)
SRv6 SubSubTLV : SRv6 SID Structure (1)
Loc-Block-Len : 48                  Loc-Node-Len  : 16
Func-Len      : 20                  Arg-Len       : 0
Tpose-Len     : 0                   Tpose-offset  : 0
    
```

```

-----
Routes : 2
=====
    
```

PE-2 then advertises route prefix 192.0.2.5/32 (in RIB Out Entries), via RR-3, and inserts the SRv6 Services TLV. This TLV carries an SRv6 Service Information sub-TLV that contains the End.DT4 SID.

PE-1 receives (via RR-3) the BGP update which PE-2 sends for the IPv4 address family:

```

*A:PE-1# show log log-id 2

---snip---
3 2022/07/18 15:37:32.833 UTC MINOR: DEBUG #2001 Base Peer 1: 2001:db8::2:3
"Peer 1: 2001:db8::2:3: UPDATE
Peer 1: 2001:db8::2:3 - Received BGP UPDATE:
  Withdrawn Length = 0
  Total Path Attr Length = 104
  Flag: 0x90 Type: 14 Len: 26 Multiprotocol Reachable NLRI:
    Address Family IPV4
    NextHop len 16 Global NextHop 2001:db8::2:2
    192.0.2.5/32
  Flag: 0x40 Type: 1 Len: 1 Origin: 0
  Flag: 0x40 Type: 2 Len: 6 AS Path:
    Type: 2 Len: 1 < 64505 >
  Flag: 0x40 Type: 5 Len: 4 Local Preference: 100
  Flag: 0x80 Type: 9 Len: 4 Originator ID: 2.2.2.2
  Flag: 0x80 Type: 10 Len: 4 Cluster ID:
    3.3.3.3
  Flag: 0xc0 Type: 40 Len: 37 Prefix-SID-attr:
    SRv6 Services TLV (37 bytes):-
      Type: SRV6 L3 Service TLV (5)
      Length: 34 bytes, Reserved: 0x0
    SRv6 Service Information Sub-TLV (33 bytes)
      Type: 1 Len: 30 Rsvd1: 0x0
      SRv6 SID: 2001:db8:aaaa:102:0:2000::
      SID Flags: 0x0 Endpoint Behavior: 0x13 Rsvd2: 0x0
    SRv6 SID Sub-Sub-TLV
      Type: 1 Len: 6
      BL:48 NL:16 FL:20 AL:0 TL:0 T0:0
"
---snip---
    
```

Upon receipt of the BGP update from RR-3 on behalf of PE-2, PE-1 programs route prefix 192.0.2.5/32 in its route table and FIB. The presence of the SRv6 Services TLV indicates that the next hop is the SRv6 End.DT4 SID which, in turn, is resolved to the remote locator for PE-2.

PE-1 then advertises route prefix 192.0.2.5/32 to CE-1 (in RIB Out Entries).

Verify the resulting IPv4 route table on PE-1. The IPv4 route table has a route to the remote IPv4 system address of CE-2, via the End.DT4 SID of the remotely configured locator prefix of PE-2.

```
*A:PE-1# show router route-table ipv4

=====
Route Table (Router: Base)
=====
Dest Prefix[Flags]                               Type  Proto  Age           Pref
  Next Hop[Interface Name]                       Metric
-----
172.16.14.0/30                                   Local  Local  00h11m35s    0
  int-PE-1-CE-1                                  0
192.0.2.4/32                                     Remote BGP    00h07m34s   170
  2001:db8::168:14:2                             0
192.0.2.5/32                                   Remote BGP 00h00m22s   170
  2001:db8:aaaa:102:0:2000:: (tunneled:SRV6) 10
-----
No. of Routes: 3
---snip---
```

Verify the corresponding IPv4 BGP routes on PE-1:

```
*A:PE-1# show router bgp routes 192.0.2.5 hunt

=====
BGP Router ID:2.2.2.1          AS:64500          Local AS:64500
=====
---snip---
```

```
=====
BGP IPv4 Routes
=====
-----
RIB In Entries
-----
Network       : 192.0.2.5/32
Nexthop      : 2001:db8::2:2
Path Id      : None
From         : 2001:db8::2:3
Res. Protocol : ISIS                               Res. Metric : 10
Res. Nexthop : fe80::60e:1ff:fe01:1
Local Pref.  : 100                               Interface Name : int-PE-1-PE-2
Aggregator AS : None                            Aggregator   : None
Atomic Aggr. : Not Atomic                       MED          : None
AIGP Metric  : None                             IGP Cost     : 10
Connector    : None
Community    : No Community Members
Cluster      : 3.3.3.3
Originator Id : 2.2.2.2                               Peer Router Id : 2.2.2.3
Fwd Class    : None                               Priority      : None
Flags        : Used Valid Best IGP In-RTM
Route Source : Internal
AS-Path      : 64505
Route Tag    : 0
Neighbor-AS  : 64505
Orig Validation: NotFound
Source Class : 0                               Dest Class   : 0
Add Paths Send : Default
RIB Priority  : Normal
Last Modified : 00h00m23s
SRv6 TLV Type : SRv6 L3 Service TLV (5)
```

```

SRv6 SubTLV      : SRv6 SID Information (1)
Sid              : 2001:db8:aaaa:102:0:2000::
Behavior        : End.DT4 (19)
SRv6 SubSubTLV  : SRv6 SID Structure (1)
Loc-Block-Len   : 48                      Loc-Node-Len   : 16
Func-Len        : 20                      Arg-Len        : 0
Tpose-Len       : 0                      Tpose-offset   : 0
-----
RIB Out Entries
-----
Network         : 192.0.2.5/32
NextHop        : 2001:db8::168:14:1
Path Id        : None
To             : 2001:db8::168:14:2
Res. Protocol  : INVALID                  Res. Metric    : 0
Res. NextHop   : n/a
Local Pref.    : n/a                    Interface Name : NotAvailable
Aggregator AS : None                   Aggregator    : None
Atomic Aggr.   : Not Atomic             MED           : None
AIGP Metric    : None                   IGP Cost      : 10
Connector      : None
Community     : No Community Members
Cluster       : No Cluster Members
Originator Id  : None                   Peer Router Id : 2.2.2.4
Origin         : IGP
AS-Path       : 64500 64505
Route Tag     : 0
Neighbor-AS   : 64500
Orig Validation: NotFound
Source Class   : 0                      Dest Class     : 0
-----
Routes : 2
=====

```

CE-1 receives the BGP update which PE-1 sends for the IPv4 address family:

```

*A:CE-1# show log log-id 2

---snip---
3 2022/07/18 15:30:37.124 UTC MINOR: DEBUG #2001 Base Peer 1: 2001:db8::168:14:1
"Peer 1: 2001:db8::168:14:1: UPDATE"Peer 1: 2001:db8::168:14:1: UPDATE
Peer 1: 2001:db8::168:14:1 - Received BGP UPDATE:
  Withdrawn Length = 0
  Total Path Attr Length = 47
  Flag: 0x90 Type: 14 Len: 26 Multiprotocol Reachable NLRI:
    Address Family IPV4
    NextHop len 16 Global NextHop 2001:db8::168:14:1
    192.0.2.5/32
    Flag: 0x40 Type: 1 Len: 1 Origin: 0
    Flag: 0x40 Type: 2 Len: 10 AS Path:
      Type: 2 Len: 2 < 64500 64505 >
"
---snip---

```

Upon receipt of the BGP update from PE-1, CE-1 programs route prefix 192.0.2.5/32 in its route table and FIB with the interface toward PE-1 as the next hop.

Verify the resulting IPv4 route table on CE-1:

```

*A:CE-1# show router route-table ipv4

```

```

=====
Route Table (Router: Base)
=====
Dest Prefix[Flags]                Type  Proto  Age          Pref
  Next Hop[Interface Name]          Metric
-----
172.16.14.0/30                    Local  Local  00h09m08s  0
      int-CE-1-PE-1                0
192.0.2.4/32                      Local  Local  00h09m08s  0
      system                        0
192.0.2.5/32                    Remote BGP  00h05m24s  170
      2001:db8::168:14:1          0
-----
No. of Routes: 3
---snip---
=====

```

Verify the corresponding IPv4 BGP routes on CE-1:

```

*A:CE-1# show router bgp routes 192.0.2.5 hunt
=====
BGP Router ID:2.2.2.4          AS:64504          Local AS:64504
=====
---snip---
=====
BGP IPv4 Routes
=====
RIB In Entries
-----
Network       : 192.0.2.5/32
Nexthop      : 2001:db8::168:14:1
Path Id         : None
From         : 2001:db8::168:14:1
Res. Protocol : LOCAL           Res. Metric   : 0
Res. Nexthop  : 2001:db8::168:14:1
Local Pref.    : None           Interface Name : int-CE-1-PE-1
Aggregator AS  : None           Aggregator    : None
Atomic Aggr.   : Not Atomic     MED           : None
AIGP Metric    : None           IGP Cost      : 0
Connector      : None
Community      : No Community Members
Cluster        : No Cluster Members
Originator Id  : None           Peer Router Id : 2.2.2.1
Fwd Class      : None           Priority       : None
Flags          : Used Valid Best IGP In-RTM
Route Source  : External
AS-Path       : 64500 64505
Route Tag      : 0
Neighbor-AS    : 64500
Orig Validation: NotFound
Source Class   : 0             Dest Class     : 0
Add Paths Send : Default
RIB Priority    : Normal
Last Modified  : 00h00m20s
-----
RIB Out Entries
-----
Routes : 1
=====

```

Similar BGP update logs are generated for the IPv6 address family.

Focus as an example on prefix 2001:db8::2:5/128 and on prefix 2001:db8::2:4/128, but in the other direction.

Verify the IPv6 BGP routes.

CE-2 advertises route prefix 2001:db8::2:5/128 to PE-2 (in RIB Out Entries).

```
*A:CE-2# show router bgp routes 2001:db8::2:5/128 hunt
=====
BGP Router ID:2.2.2.5          AS:64505          Local AS:64505
=====
---snip---
=====
BGP IPv6 Routes
=====
-----
RIB In Entries
-----
-----
RIB Out Entries
-----
Network       : 2001:db8::2:5/128
NextHop       : 2001:db8::168:25:2
Path Id       : None
To            : 2001:db8::168:25:1
Res. Protocol : INVALID          Res. Metric    : 0
Res. NextHop  : n/a
Local Pref.   : n/a              Interface Name : NotAvailable
Aggregator AS : None             Aggregator     : None
Atomic Aggr. : Not Atomic        MED            : None
AIGP Metric   : None             IGP Cost       : n/a
Connector     : None
Community     : No Community Members
Cluster       : No Cluster Members
Originator Id : None             Peer Router Id : 2.2.2.2
Origin        : IGP
AS-Path       : 64505
Route Tag     : 0
Neighbor-AS   : 64505
Orig Validation: NotFound
Source Class  : 0                 Dest Class     : 0
-----
Routes : 1
=====
```

PE-2 receives the BGP update which CE-2 sends for the IPv6 address family:

```
*A:PE-2# show log log-id 2
---snip---
6 2022/07/18 15:30:35.785 UTC MINOR: DEBUG #2001 Base Peer 1: 2001:db8::168:25:2
"Peer 1: 2001:db8::168:25:2: UPDATE
Peer 1: 2001:db8::168:25:2 - Received BGP UPDATE:
  Withdrawn Length = 0
  Total Path Attr Length = 55
  Flag: 0x90 Type: 14 Len: 38 Multiprotocol Reachable NLRI:
    Address Family IPv6
    NextHop len 16 Global NextHop 2001:db8::168:25:2
    2001:db8::2:5/128
```

```

Flag: 0x40 Type: 1 Len: 1 Origin: 0
Flag: 0x40 Type: 2 Len: 6 AS Path:
Type: 2 Len: 1 < 64505 >
"
---snip---

```

Upon receipt of the BGP update from CE-2, PE-2 programs route prefix 2001:db8::2:5/128 in its route table and FIB, with the interface toward CE-2 as next hop.

Verify the resulting IPv6 route table on PE-2:

```

*A:PE-2# show router route-table ipv6

=====
IPv6 Route Table (Router: Base)
=====
Dest Prefix[Flags]                               Type  Proto  Age           Pref
Next Hop[Interface Name]                         Metric
-----
---snip---
2001:db8::2:4/128                                Remote BGP      00h00m30s  170
                2001:db8:aaaa:101:0:3000:: (tunneled:SRV6)
                10
2001:db8::2:5/128                                Remote BGP    00h07m25s  170
                2001:db8::168:25:2
                0
---snip---
2001:db8:aaaa:101::/64                            Remote  ISIS    00h02m32s  18
                2001:db8:aaaa:101::/64 (tunneled:SRV6-ISIS)
                10
2001:db8:aaaa:102::/64                            Local   SRV6    00h01m11s   3
                fe80::201- "_tmnx_fpe_2.a"
                0
2001:db8:aaaa:102:0:1000::/128                    Local   SRV6    00h01m11s   3
                Black Hole
                0
2001:db8:aaaa:102:0:4000::/128                    Local   ISIS    00h01m11s  18
                fe80::60a:1ff:fe01:1-"int-PE-2-PE-1"
                10
2001:db8:aaaa:102:0:5000::/128                    Local   ISIS    00h01m11s  18
                fe80::611:ffff:fe00:0-"int-PE-2-RR-3"
                10
-----
No. of Routes: 14
---snip---
=====

```

Verify the corresponding IPv6 BGP routes on PE-2:

```

*A:PE-2# show router bgp routes 2001:db8::2:5/128 hunt

=====
BGP Router ID:2.2.2.2          AS:64500          Local AS:64500
=====
---snip---
=====
BGP IPv6 Routes
=====
RIB In Entries
-----
Network       : 2001:db8::2:5/128
Nexthop      : 2001:db8::168:25:2
Path Id      : None
From         : 2001:db8::168:25:2
Res. Protocol : LOCAL          Res. Metric   : 0
Res. Nexthop : 2001:db8::168:25:2
Local Pref.  : None
Aggregator AS : None          Interface Name : int-PE-2-CE-2
Atomic Aggr. : Not Atomic   Aggregator    : None
AIGP Metric  : None          MED           : None
IGP Cost     : 0             IGP Cost      : 0

```

```

Connector      : None
Community     : No Community Members
Cluster       : No Cluster Members
Originator Id : None                Peer Router Id : 2.2.2.5
Fwd Class     : None                Priority       : None
Flags         : Used Valid Best IGP In-RTM
Route Source  : External
AS-Path       : 64505
Route Tag     : 0
Neighbor-AS   : 64505
Orig Validation: NotFound
Source Class  : 0                    Dest Class    : 0
Add Paths Send : Default
RIB Priority   : Normal
Last Modified : 00h07m26s
-----
RIB Out Entries
-----
Network       : 2001:db8::2:5/128
Nexthop      : 2001:db8::2:2
Path Id       : None
To           : 2001:db8::2:3
Res. Protocol : INVALID              Res. Metric   : 0
Res. Nexthop  : n/a
Local Pref.   : 100                  Interface Name : NotAvailable
Aggregator AS : None                  Aggregator    : None
Atomic Aggr.  : Not Atomic           MED           : None
AIGP Metric   : None                 IGP Cost      : 0
Connector     : None
Community     : No Community Members
Cluster       : No Cluster Members
Originator Id : None                Peer Router Id : 2.2.2.3
Origin        : IGP
AS-Path       : 64505
Route Tag     : 0
Neighbor-AS   : 64505
Orig Validation: NotFound
Source Class  : 0                    Dest Class    : 0
SRv6 TLV Type : SRv6 L3 Service TLV (5)
SRv6 SubTLV   : SRv6 SID Information (1)
Sid           : 2001:db8:aaaa:102:0:3000::
Behavior      : End.DT6 (18)
SRv6 SubSubTLV : SRv6 SID Structure (1)
Loc-Block-Len : 48                    Loc-Node-Len  : 16
Func-Len      : 20                    Arg-Len       : 0
Tpose-Len     : 0                    Tpose-offset  : 0
-----
Routes : 2
=====

```

PE-2 then advertises route prefix 2001:db8::2:5/128, via RR-3, and inserts the SRv6 Services TLV. This TLV carries an SRv6 Service Information sub-TLV that contains the End.DT6 SID.

PE-1 receives (via RR-3) the BGP update which PE-2 sends for the IPv6 address family:

```

*A:PE-1# show log log-id 2
---snip---
4 2022/07/18 15:37:32.834 UTC MINOR: DEBUG #2001 Base Peer 1: 2001:db8::2:3
"Peer 1: 2001:db8::2:3: UPDATE
Peer 1: 2001:db8::2:3 - Received BGP UPDATE:

```

```

Withdrawn Length = 0
Total Path Attr Length = 116
Flag: 0x90 Type: 14 Len: 38 Multiprotocol Reachable NLRI:
  Address Family IPv6
  NextHop len 16 Global NextHop 2001:db8::2:2
  2001:db8::2:5/128
Flag: 0x40 Type: 1 Len: 1 Origin: 0
Flag: 0x40 Type: 2 Len: 6 AS Path:
  Type: 2 Len: 1 < 64505 >
Flag: 0x40 Type: 5 Len: 4 Local Preference: 100
Flag: 0x80 Type: 9 Len: 4 Originator ID: 2.2.2.2
Flag: 0x80 Type: 10 Len: 4 Cluster ID:
  3.3.3.3
Flag: 0xc0 Type: 40 Len: 37 Prefix-SID-attr:
  SRv6 Services TLV (37 bytes):-
    Type: SRV6 L3 Service TLV (5)
    Length: 34 bytes, Reserved: 0x0
  SRv6 Service Information Sub-TLV (33 bytes)
    Type: 1 Len: 30 Rsvd1: 0x0
    SRv6 SID: 2001:db8:aaaa:102:0:3000::
    SID Flags: 0x0 Endpoint Behavior: 0x12 Rsvd2: 0x0
  SRv6 SID Sub-Sub-TLV
    Type: 1 Len: 6
    BL:48 NL:16 FL:20 AL:0 TL:0 T0:0
"
---snip---

```

Upon receipt of the BGP update from RR-3 on behalf of PE-2, PE-1 programs route prefix 2001:db8::2:5/128 in its route table and FIB. The presence of the SRv6 Services TLV indicates that the next hop is the SRv6 End.DT6 SID which, in turn, is resolved to the remote locator for PE-2.

PE-1 then advertises route prefix 2001:db8::2:5/128 to CE-1 (in RIB Out Entries).

Verify the resulting IPv6 route table on PE-1. The IPv6 route table has a route to the remote IPv6 system address of CE-2, now resolved to the End.DT6 SID of the remotely configured locator prefix of PE-2. The local auto-allocated SRv6 End.X functions have a renumbered SID, because their initial SID is now used for the statically configured SRv6 End.DT4 and SRv6 End.DT6 functions.

```

*A:PE-1# show router route-table ipv6

=====
IPv6 Route Table (Router: Base)
=====
Dest Prefix[Flags]                               Type  Proto  Age           Pref
  Next Hop[Interface Name]                       Metric
-----
---snip---
2001:db8::2:5/128                               Remote BGP    00h00m22s  170
  2001:db8:aaaa:102:0:3000:: (tunneled:SRV6)    10
---snip---
2001:db8:aaaa:101::/64                           Local  SRV6    00h01m20s   3
  fe80::201-_"_tmnx_fpe_2.a"                    0
2001:db8:aaaa:101:0:1000::/128                   Local  SRV6    00h01m20s   3
  Black Hole                                     0
2001:db8:aaaa:101:0:4000::/128                   Local  ISIS    00h01m20s  18
  fe80::60e:1ff:fe01:1-"int-PE-1-PE-2"         10
2001:db8:aaaa:101:0:5000::/128                   Local  ISIS    00h01m20s  18
  fe80::611:ffff:fe00:0-"int-PE-1-RR-3"        10
2001:db8:aaaa:102::/64                           Remote  ISIS    00h02m26s  18
  2001:db8:aaaa:102::/64 (tunneled:SRV6-ISIS)  10
-----
No. of Routes: 14
---snip---

```


Verify the corresponding IPv6 BGP routes on PE-1:

```

=====
*A:PE-1# show router bgp routes 2001:db8::2:5/128 hunt
=====
BGP Router ID:2.2.2.1          AS:64500          Local AS:64500
=====
---snip---
=====
BGP IPv6 Routes
=====
-----
RIB In Entries
-----
-----
Network          : 2001:db8::2:5/128
Nexthop          : 2001:db8::2:2
Path Id          : None
From             : 2001:db8::2:3
Res. Protocol    : ISIS          Res. Metric      : 10
Res. Nexthop     : fe80::60e:1ff:fe01:1
Local Pref.      : 100           Interface Name   : int-PE-1-PE-2
Aggregator AS    : None          Aggregator       : None
Atomic Aggr.     : Not Atomic    MED              : None
AIGP Metric      : None          IGP Cost        : 10
Connector        : None
Community        : No Community Members
Cluster          : 3.3.3.3
Originator Id    : 2.2.2.2        Peer Router Id   : 2.2.2.3
Fwd Class        : None          Priority         : None
Flags            : Used Valid Best IGP In-RTM
Route Source     : Internal
AS-Path          : 64505
Route Tag        : 0
Neighbor-AS      : 64505
Orig Validation  : NotFound
Source Class     : 0              Dest Class       : 0
Add Paths Send   : Default
RIB Priority      : Normal
Last Modified    : 00h00m23s
SRv6 TLV Type    : SRv6 L3 Service TLV (5)
SRv6 SubTLV     : SRv6 SID Information (1)
Sid              : 2001:db8:aaaa:102:0:3000::
Behavior         : End.DT6 (18)
SRv6 SubSubTLV  : SRv6 SID Structure (1)
Loc-Block-Len   : 48             Loc-Node-Len    : 16
Func-Len         : 20             Arg-Len          : 0
Tpose-Len        : 0              Tpose-offset    : 0
-----
RIB Out Entries
-----
-----
Network          : 2001:db8::2:5/128
Nexthop          : 2001:db8::168:14:1
Path Id          : None
To               : 2001:db8::168:14:2
Res. Protocol    : INVALID       Res. Metric      : 0
Res. Nexthop     : n/a
Local Pref.      : n/a           Interface Name   : NotAvailable
Aggregator AS    : None          Aggregator       : None
Atomic Aggr.     : Not Atomic    MED              : None
AIGP Metric      : None          IGP Cost        : 10
Connector        : None

```

```
Community      : No Community Members
Cluster       : No Cluster Members
Originator Id : None                Peer Router Id : 2.2.2.4
Origin        : IGP
AS-Path       : 64500 64505
Route Tag     : 0
Neighbor-AS   : 64500
Orig Validation: NotFound
Source Class  : 0                    Dest Class    : 0
```

```
-----
Routes : 2
=====
```

CE-1 receives the BGP update which PE-1 sends for the IPv6 address family:

```
*A:CE-1# show log log-id 2

---snip---
2 2022/07/18 15:37:33.124 UTC MINOR: DEBUG #2001 Base Peer 1: 2001:db8::168:14:1
"Peer 1: 2001:db8::168:14:1: UPDATE
Peer 1: 2001:db8::168:14:1 - Received BGP UPDATE:
  Withdrawn Length = 0
  Total Path Attr Length = 59
  Flag: 0x90 Type: 14 Len: 38 Multiprotocol Reachable NLRI:
    Address Family IPV6
    NextHop len 16 Global NextHop 2001:db8::168:14:1
    2001:db8::2:5/128
    Flag: 0x40 Type: 1 Len: 1 Origin: 0
    Flag: 0x40 Type: 2 Len: 10 AS Path:
    Type: 2 Len: 2 < 64500 64505 >
"
---snip---
```

Upon receipt of the BGP update from PE-1, CE-1 programs prefix 2001:db8::2:5/128 in its route table and FIB, with the interface toward PE-1 as next hop.

Verify the resulting IPv6 route table on CE-1:

```
*A:CE-1# show router route-table ipv6

=====
IPv6 Route Table (Router: Base)
=====
Dest Prefix[Flags]
Next Hop[Interface Name]          Type   Proto   Age           Pref
Metric
-----
2001:db8::2:4/128                 Local  Local   00h19m39s    0
system                             0
2001:db8::2:5/128                 Remote BGP     00h00m32s   170
2001:db8::168:14:1                 0
2001:db8::168:14:0/126            Local  Local   00h19m38s    0
int-CE-1-PE-1                       0
-----
No. of Routes: 3
---snip---
```

Verify the corresponding IPv6 BGP routes on CE-1:

```
*A:CE-1# show router bgp routes 2001:db8::2:5/128 hunt
=====
```

```

BGP Router ID:2.2.2.4      AS:64504      Local AS:64504
=====
---snip---
=====
BGP IPv6 Routes
=====
-----
RIB In Entries
-----
Network      : 2001:db8::2:5/128
NextHop      : 2001:db8::168:14:1
Path Id      : None
From         : 2001:db8::168:14:1
Res. Protocol : LOCAL              Res. Metric   : 0
Res. NextHop  : 2001:db8::168:14:1
Local Pref.   : None              Interface Name : int-CE-1-PE-1
Aggregator AS : None              Aggregator    : None
Atomic Aggr.  : Not Atomic        MED           : None
AIGP Metric   : None              IGP Cost      : 0
Connector     : None
Community     : No Community Members
Cluster       : No Cluster Members
Originator Id : None              Peer Router Id : 2.2.2.1
Fwd Class     : None              Priority       : None
Flags         : Used Valid Best IGP In-RTM
Route Source  : External
AS-Path       : 64500 64505
Route Tag     : 0
Neighbor-AS   : 64500
Orig Validation: NotFound
Source Class  : 0                  Dest Class    : 0
Add Paths Send : Default
RIB Priority   : Normal
Last Modified  : 00h00m32s
-----
RIB Out Entries
-----
-----
Routes : 1
=====

```

Verify the SRv6 local SIDs on PE-2 and similar on PE-1. The SRv6 local SIDs 2001:db8:aaaa:102:0:2000:: and 2001:db8:aaaa:102:0:3000:: now correspond with the additional SRv6 End.DT4 and SRv6 End.DT6 behavior that is configured on the locator for the data transport between CE-1 and CE-2. RR-3, CE-1, and CE-2 do not have SRv6 configuration and do not have SRv6 local SIDs.

```

*A:PE-2# show router segment-routing-v6 local-sid
=====
Segment Routing v6 Local SIDs
=====
SID                               Type      Function
Locator
Context
-----
2001:db8:aaaa:102:0:1000::        End       1
  PE-2_loc
  Base
2001:db8:aaaa:102:0:2000::        End.DT4   2
  PE-2_loc
  Base
2001:db8:aaaa:102:0:3000::        End.DT6   3

```

```

PE-2_loc
Base
2001:db8:aaaa:102:0:4000::          End.X          4
PE-2_loc
None
2001:db8:aaaa:102:0:5000::          End.X          5
PE-2_loc
None
-----
SIDs : 5
=====

```

Verify the SRv6 base routing instance on PE-2 and similar on PE-1.

```

*A:PE-2# show router segment-routing-v6 base-routing-instance
=====
Segment Routing v6 Base Routing Instance
=====
Locator
Type          Function      SID              Status/InstId
SRH-mode      Protection   Interface
-----
PE-2_loc
End.DT4       2 2001:db8:aaaa:102:0:2000::          ok
End.DT6       3 2001:db8:aaaa:102:0:3000::          ok
End           1 2001:db8:aaaa:102:0:1000::          ok
USP
-----
Auto-allocated End.X: PSP Unprotected,
-----
End.X         *4 2001:db8:aaaa:102:0:4000::          0
PSP           Unprotected int-PE-2-PE-1
ISIS Level:  L2 Mac Address: 04:0a:01:01:00:01 Nbr Sys Id: 0010.0100.1001
End.X         *5 2001:db8:aaaa:102:0:5000::          0
PSP           Unprotected int-PE-2-RR-3
ISIS Level:  L2 Mac Address: 04:12:01:01:00:0b Nbr Sys Id: 0010.0100.1003
-----
Legend: * - System allocated

```

Verify that the tunnel from PE-1 to the remote locator has SRv6 encapsulation and similar for the tunnel from PE-2 to the remote locator. The tunnel tables on RR-3 and on CE-1 are empty.

```

*A:PE-1# show router tunnel-table ipv6
=====
IPv6 Tunnel Table (Router: Base)
=====
Destination          Owner      Encap TunnelId  Pref
NextHop              Color      Metric
-----
2001:db8:aaaa:102::/64  srv6-isis SRV6 524289  0
fe80::60e:1ff:fe01:1-"int-PE-1-PE-2"  10
---snip---
=====

```

Verify that the tunnel from PE-1 to the remote locator uses the “int-PE-1-PE-2” interface and similar for the tunnel from PE-2 to the remote locator, where that tunnel uses the “int-PE-2-PE-1” interface. Interface “int-PE-1-PE-2” is configured on port 1/1/c/1/1:1000. The FP tunnel tables on RR-3 and on CE-1 are empty.

```
*A:PE-1# show router fp-tunnel-table 1 ipv6

=====
IPv6 Tunnel Table Display

Legend:
label stack is ordered from bottom-most to top-most
B - FRR Backup
=====
Destination                                Protocol      Tunnel-ID
 Lbl/SID
  NextHop                                    Intf/Tunnel
 Lbl/SID (backup)
  NextHop  (backup)
-----
2001:db8:aaaa:102::/64                      SRV6          524289
-
  fe80::60e:1ff:fe01:1-"int-PE-1-PE-2"      1/1/c/1/1:1000
-----
Total Entries : 1
=====
```

Verify that data transport is possible between CE-1 and CE-2. IPv4 data flows from CE-1 to PE-1, where it is SRv6-encapsulated and forwarded via the SRv6 tunnel to PE-2. At PE-2, the data is decapsulated and is forwarded to CE-2. Between PE-1 and PE-2, the IPv4 data cannot flow unencapsulated because there is no IPv4 interface between PE-1 and PE-2.

```
*A:CE-1# ping 192.0.2.5
PING 192.0.2.5 56 data bytes
64 bytes from 192.0.2.5: icmp_seq=1 ttl=62 time=2.83ms.
---snip---
---- 192.0.2.5 PING Statistics ----
5 packets transmitted, 5 packets received, 0.00% packet loss
round-trip min = 2.41ms, avg = 2.59ms, max = 2.83ms, stddev = 0.132ms

*A:CE-1# traceroute 192.0.2.5
traceroute to 192.0.2.5, 30 hops max, 40 byte packets
 1 172.16.14.1 (172.16.14.1)  1.47 ms  1.26 ms  1.45 ms
 2 0.0.0.0 * * *
 3 192.0.2.5 (192.0.2.5)    3.00 ms  2.72 ms  2.48 ms
```

IPv6 data flows from CE-1 to PE-1, where it is SRv6 encapsulated and forwarded via the SRv6 tunnel to PE-2. At PE-2, the data is decapsulated and is forwarded to CE-2. The IPv6 data does not flow with native IPv6 between PE-1 and PE-2 because then it would use the 2001:db8::168:12:1 IPv6 interface instead of the 2001:db8::2:2 IPv6 system address in the second hop. The same is true for data transport between CE-2 and CE-1.

```
*A:CE-1# ping 2001:db8::2:5
PING 2001:db8::2:5 56 data bytes
64 bytes from 2001:db8::2:5 icmp_seq=1 hlim=62 time=2.16ms.
---snip---
---- 2001:db8::2:5 PING Statistics ----
5 packets transmitted, 5 packets received, 0.00% packet loss
round-trip min = 2.16ms, avg = 2.32ms, max = 2.43ms, stddev = 0.089ms
```

```
*A:CE-1# traceroute 2001:db8::2:5
traceroute to 2001:db8::2:5, 30 hops max, 60 byte packets
 1 2001:db8::168:14:1 (2001:db8::168:14:1)  1.38 ms  1.38 ms  1.12 ms
 2 2001:db8::2:2 (2001:db8::2:2)  2.28 ms  2.14 ms  2.34 ms
 3 2001:db8::2:5 (2001:db8::2:5)  2.91 ms  2.74 ms  2.83 ms
```

Conclusion

SRv6 Encapsulation in the base routing instance can be used to transport native IPv4 and IPv6 data across an SRv6-enabled provider network.

SRv6 Loop-Free Alternate

This chapter provides information about loop-free alternate for segment routing over IPv6.

Topics in this chapter include:

- [Applicability](#)
- [Overview](#)
- [Configuration](#)
- [Conclusion](#)

Applicability

The information and configuration in this chapter are based on SR OS Release 22.2.R1. Segment routing over IPv6 (SRv6) is supported on FP4-based equipment in SR OS Release 21.5.R2 and later.

Overview

SR OS Release 21.5.R2 and later support loop-free alternate (LFA) for segment routing over IPv6 (SRv6). This includes regular LFA, remote LFA (R-LFA) and topology independent LFA (TI-LFA) for routers in a service originating role and for routers in a transit role, with or without segment termination.

The local router installs its locator prefix in its IPv6 route table and IPv6 forwarding information base (FIB), and advertises its locator prefix in IS-IS with the SRv6 locator sub-TLV. Each remote router populates its IPv6 route table and IPv6 FIB with the received locator prefixes, including the tunneled next hop to the originating router.

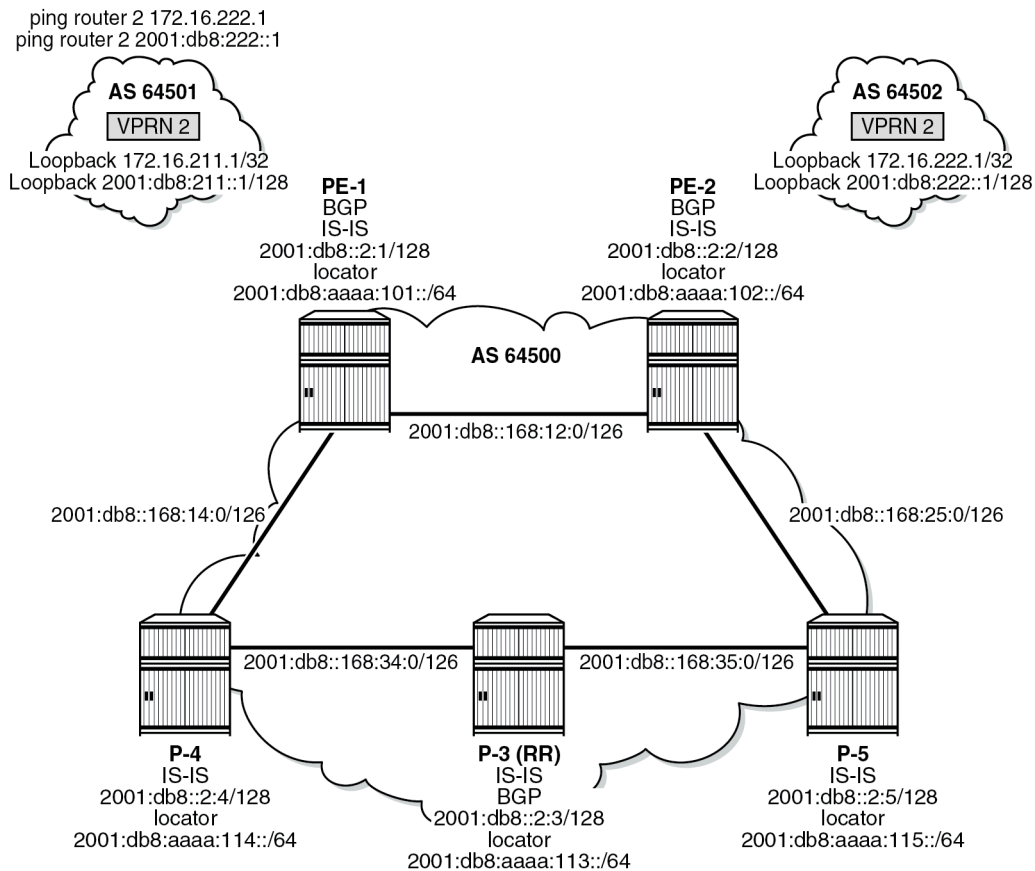
The LFA backup path for a local End.X segment identifier (SID) or a local LAN End.X SID is programmed in the IPv6 route table and in the IPv6 FIB with the specific entry corresponding to the local locator prefix.

The LFA backup path for a remote locator prefix entry is programmed in the IPv6 route table and in the IPv6 FIB. The LFA backup path for a remote End SID, End.DT4 SID, End.DT6 SID, or End.DX2 SID uses that remote locator prefix.

Configuration

[Figure 57: Example topology](#) shows the example topology with five SRv6-capable routers. The SRv6-enabled network that it represents comprises PE-1, PE-2, and P-3 in the control and data planes, and P-4 and P-5 in the data plane only. The SRv6-enabled network has only IPv6 addresses and interfaces.

Figure 58: Example topology



37605

For the transport of IPv4 and IPv6 data from the VPRN on PE-1 to the VPRN on PE-2, PE-1 acts as the SRv6 ingress PE node, while PE-2 acts as the SRv6 egress PE node.

SRv6 and forwarding path extension (FPE) are configured on all routers. P-3 acts as the BGP route reflector in the control plane. As long as the link between PE-1 and PE-2 is operational, P-3 does not participate in the SRv6 data transport between PE-1 and PE-2. When the link between PE-1 and PE-2 fails, SRv6 data transport uses an LFA backup path via P-3.

The **ping** and **traceroute** commands between IPv4 and IPv6 loopback addresses in the VPRNs simulate data transport.

SRv6 for VPRN is established between PE-1 and PE-2, as described in the Segment Routing over IPv6 for VPRN chapter. The metric on all links, except one, is set to 10. When the metric on the link between PE-2 and P-5 is set to 21, configuring TI-LFA on PE-1 for all destination prefixes using the protected link PE-1–PE-2, results in a PQ-router P-5. In this case, the End SID of P-5 suffices. When the metric on the link between P-3 and P-5 is set to 21, configuring TI-LFA on PE-1 for all destination prefixes using the protected link PE-1-PE-2, results in disjointed P-router P-3 and Q-router P-5. In that case, the End.X SID referencing the interface on P-3 facing P-5 suffices to reach the Q node.

Configure the router

This configuration includes:

- ports and IPv6-only interfaces on all routers
- port cross-connect (PXC) on all routers, using internal loopbacks on an FP4 MAC chip, as described in the Segment Routing over IPv6 chapter
- IS-IS on all routers, including:
 - level 2 capability with wide metrics (for the 128-bit identifiers)
 - level 2 metric is 10 on all IS-IS interfaces, but 21 on the IS-IS interface between PE-2 and P-5
 - native IPv6 routing
 - as a best practice to advertise the router capability within the autonomous system (AS), also configure:
 - **traffic-engineering**
 - **traffic-engineering-options**
- BGP on PE-1, PE-2, and P-3, with internal group “gr_v6_internal” that includes:
 - IPv4, IPv6, VPN-IPv4 and VPN-IPv6 families
 - **extended-nh-encoding** for IPv4 and VPN-IPv4
 - **advertise-ipv6-next-hops** for IPv4, VPN-IPv4 and VPN-IPv6
 - BGP neighbor **system** IPv6 addresses
 - On PE-1 and PE-2 only: **next-hop-self**

The core network topology uses IPv6 for BGP peering (with 16 byte next hop addresses), so to advertise and receive IPv4 routes (which have 4 byte next hop addresses) with IPv6 next hop addresses, the commands **advertise-ipv6-next-hops** and **extended-nh-encoding** need to be configured at the BGP, group, or neighbor level. The **advertise-ipv6-next-hops** command instructs the system to advertise IPv4 routes with IPv6 next hop addresses. The **extended-nh-encoding** command configures BGP to advertise the capability to receive IPv4 routes with IPv6 next hop addresses.

The following example configuration applies for PE-1 and is similar for the other routers, with the following differences:

- P-3 acts as a BGP route reflector
- BGP is not configured on P-4 and P-5

```
*A:PE-1# configure router Base
  interface "int-PE-1-PE-2"
    description "interface between PE-1 and PE-2"
    port 1/1/c1/1:1000
    ipv6
      address 2001:db8::168:12:1/126
    exit
    no shutdown
  exit
  interface "int-PE-1-P-4"
    description "interface between PE-1 and P-4"
    port 1/1/c2/1:1000
    ipv6
      address 2001:db8::168:14:1/126
```

```

        exit
        no shutdown
    exit
    interface "system"
        description "system interface of PE-1"
        ipv6
            address 2001:db8::2:1/128
        exit
        no shutdown
    exit
    autonomous-system 64500
    isis 0
        router-id 1.1.1.1
        level-capability level-2    # required for SRv6
        area-id 49.0001
        traffic-engineering
        traffic-engineering-options
            ipv6
            application-link-attributes
        exit
        exit
        advertise-router-capability as
        ipv6-routing native
        level 2
            wide-metrics-only    # required for SRv6
        exit
        interface "system"
            passive
            no shutdown
        exit
        interface "int-PE-1-PE-2"
            interface-type point-to-point
            level [1..2] metric 10
            no shutdown
        exit
        interface "int-PE-1-P-4"
            interface-type point-to-point
            level [1..2] metric 10
            no shutdown
        exit
        no shutdown
    exit
    bgp
        min-route-advertisement 1
        router-id 2.2.2.1
        rapid-withdrawal
        rapid-update vpn-ipv4 vpn-ipv6
        split-horizon
        group "gr_v6_internal"
            description "internal bgp group on PE-1"
            family ipv4 ipv6 vpn-ipv4 vpn-ipv6
            extended-nh-encoding ipv4 vpn-ipv4
            advertise-ipv6-next-hops ipv4 vpn-ipv4 vpn-ipv6
            next-hop-self
            type internal
            neighbor 2001:db8::2:3    # P-3 system address
        exit
        exit
        no shutdown
    exit
    exit all

```



Note:

Do not advertise tunnel links, because that enables forwarding adjacencies. IS-IS does not compute a remote LFA or a TI-LFA backup for an SR-ISIS tunnel when forwarding adjacency (configured via the **advertise-tunnel-links** command) is enabled in the IS-IS instance, even if these two types of LFAs are enabled in the configuration of that same IS-IS instance.

Configure the VPRN services on PE-1 and on PE-2

This configuration includes:

- an IPv4 address and an IPv6 address for a loopback interface "lb_itf_vprn"
- BGP, with external group "gr_v6_vprn" that includes the following capabilities:
 - IPv4 and IPv6 families
 - **extended-nh-encoding** for IPv4
 - **advertise-ipv6-next-hops** for IPv4
 - BGP neighbor **interface** IPv6 addresses, with BGP neighbors in a different external AS

The following example configuration applies for VPRN 2 on PE-1 and is similar for VPRN 2 on PE-2.

```
*A:PE-1# configure service
  vprn 2 name "VPRN_2" customer 1 create
    description "VPRN 2 on PE-1"
    autonomous-system 64500
    interface "lb_itf_vprn" create
      address 172.16.211.1/32
      description "VPRN 2 interface on PE-1 for external subnet"
      ipv6
        address 2001:db8:211::1/128
      exit
      loopback
    exit
  bgp
    group "gr_v6_vprn"
      description "external bgp group for VPRN 2 on PE-1"
      family ipv4 ipv6
      extended-nh-encoding ipv4
      advertise-ipv6-next-hops ipv4
      neighbor 2001:db8:101::1
        type external
        peer-as 64501
      exit
    exit
  no shutdown
exit
no shutdown
exit all
```

Configure SRv6 in the router Base context on all routers

Configure the locator in the **router Base segment-routing segment-routing-v6** context on PE-2 and similar on the other routers, with different **ip-prefix** for the locators.

```
*A:PE-2# configure router Base segment-routing segment-routing-v6
```

```
locator "PE-2_loc"
  block-length 48
  prefix
    ip-prefix 2001:db8:aaaa:102::/64
  exit
  no shutdown
exit all
```

Configure the FPEs on PE-2 and identical on the other routers.

```
*A:PE-2# configure fwd-path-ext
  fpe 1 create
    path pxc 1
    srv6 origination
      interface-a
      exit
      interface-b
      exit
    exit
  exit
  fpe 2 create
    path pxc 2
    srv6 termination
      interface-a
      exit
      interface-b
      exit
    exit
  exit all
```

Use FPE 1 as the SRv6 origination FPE in the **router Base segment-routing segment-routing-v6** context and FPE 2 as the SRv6 termination FPE in the **router Base segment-routing segment-routing-v6 locator** context on PE-2. The configuration is similar on the other routers, with different locators. For more information, see the [Segment Routing over IPv6](#) chapter.

```
*A:PE-2# configure router Base segment-routing
  segment-routing-v6
    origination-fpe 1
    locator "PE-2_loc"
      termination-fpe 2
      no shutdown
    exit
  exit all
```

Configure the SRv6 End function (equivalent to an IPv4 node SID) and SRv6 End.X functions (equivalent to IPv4 adjacency SIDs) in the **router Base segment-routing segment-routing-v6 base-routing-instance locator** context on all routers, with different locators.

```
*A:PE-2# configure router Base
  mpls-labels
    sr-labels start 20000 end 20999
    reserved-label-block "SRv6"
      start-label 30100 end-label 30199
    exit
  exit
  segment-routing
    segment-routing-v6
      locator "PE-2_loc"
        shutdown
        static-function
          max-entries 3
```

```

        label-block "SRv6"
        exit
        no shutdown
    exit
    base-routing-instance
        locator "PE-2_loc"
        function
            end-x-auto-allocate srh-mode usp protection protected
        end 1
            srh-mode usp
        exit
    exit
    exit
    exit all

```

While not strictly needed, allow for three static functions. New SRv6 functions (for example End.DT4 and End.DT6), can then be configured without needing to reshuffle the automatic SRv6 function numbering. Ensure that the End.X functions have protection on. As a result, the End.X functions are only instantiated when **looppfree-alternates** is configured in the **router Base isis** context.

Advertise the locator in IS-IS while ensuring level 2 capability on PE-2. Configure other routers similarly, with different locators.

```

*A:PE-2# configure router Base isis 0
    segment-routing-v6
        locator "PE-2_loc"
            level-capability level-2
            level 1
        exit
        level 2
        exit
    exit
    no shutdown
    exit all

```

Use the **show router segment-routing-v6 summary** command to verify the locator and origination FPE configuration.

Configure SRv6 for the VPRNs on PE-1 and on PE-2

Create an SRv6 instance for the VPRN service. Use the locator from the **router Base segment-routing segment-routing-v6** context and configure End.DT4 and End.DT6 functions for it.

Use the created SRv6 instance in the **service vprn bgp-ipvprn segment-routing-v6** context, with the configured locator as the default locator. Ensure a unique route distinguisher. Use the unique PE-2 system IPv6 address as the source address. Use a similar configuration on PE-1, with the PE-1 locator as default locator, the PE-1 system IPv6 address as the source address, and a different route distinguisher.

```

*A:PE-2# configure service
    vprn 2
        segment-routing-v6 1 create
            locator "PE-2_loc"
            function
                end-dt4
                end-dt6
            exit
        exit
    exit

```

```

exit
  bgp-ipvpn
    segment-routing-v6
      route-distinguisher 192.0.2.2:2
      srv6-instance 1 default-locator "PE-2_loc"
      source-address 2001:db8::2:2
      vrf-target target:64506:2
      no shutdown
    exit
  exit
  no shutdown
exit all

```

This configuration results in BGP update exchanges between PE-2 and PE-1, via P-3, and between PE-1 and PE-2, via P-3.

At this point, verify that data transport is possible between the local VPRN on PE-1 and the remote VPRN on PE-2.

```

*A:PE-1# ping router 2 172.16.222.1
PING 172.16.222.1 56 data bytes
64 bytes from 172.16.222.1: icmp_seq=1 ttl=64 time=1.83ms.
---snip---
---- 172.16.222.1 PING Statistics ----
5 packets transmitted, 5 packets received, 0.00% packet loss
round-trip min = 1.48ms, avg = 1.97ms, max = 3.30ms, stddev = 0.678ms

*A:PE-1# traceroute router 2 172.16.222.1
traceroute to 172.16.222.1, 30 hops max, 40 byte packets
 1 172.16.222.1 (172.16.222.1)  1.85 ms  1.55 ms  1.67 ms

*A:PE-1# ping router 2 2001:db8:222::1
PING 2001:db8:222::1 56 data bytes
64 bytes from 2001:db8:222::1 icmp_seq=1 hlim=64 time=1.56ms.
---snip---
---- 2001:db8:222::1 PING Statistics ----
5 packets transmitted, 5 packets received, 0.00% packet loss
round-trip min = 1.45ms, avg = 1.59ms, max = 1.78ms, stddev = 0.114ms

*A:PE-1# traceroute router 2 2001:db8:222::1
traceroute to 2001:db8:222::1, 30 hops max, 60 byte packets
 1 2001:db8:222::1 (2001:db8:222::1)  3.31 ms  1.53 ms  3.23 ms

```

The result of the verification complies with the route tables for the local VPRN on PE-1, which contains routes for the loopback addresses in the remote VPRN on PE-2. The same is true for data transport between the remote VPRN on PE-2 and the local VPRN on PE-1.

```

*A:PE-1# show router 2 route-table ipv4

=====
Route Table (Service: 2)
=====
Dest Prefix[Flags]
Next Hop[Interface Name]          Type   Proto   Age           Pref
Metric
-----
172.16.211.1/32
  lb_itf_vprn                    Local  Local   00h12m37s    0
172.16.222.1/32
  2001:db8:aaaa:102:78a6:c000:: (tunneled:SRV6)  Remote BGP VPN 00h01m35s   170
                                           10
-----
No. of Routes: 2
---snip---

```

```

=====
*A:PE-1# show router 2 route-table ipv6
=====
IPv6 Route Table (Service: 2)
=====
Dest Prefix[Flags]                Type  Proto  Age           Pref
  Next Hop[Interface Name]          Metric
-----
2001:db8:211::1/128                Local  Local  00h12m36s    0
  lb_itf_vprn                        0
2001:db8:222::1/128                Remote BGP VPN  00h01m35s    170
  2001:db8:aaaa:102:78a6:b000:: (tunneled:SRV6) 10
-----
No. of Routes: 2
---snip---
=====

```

The IPv4 route table and IPv4 FIB remain empty, while the IPv6 route table and IPv6 FIB contain routes for the local, IS-IS, and SRv6 protocols. The remote destinations to PE-2 and P-5 are reached via the “int-PE-1-PE-2” interface. There are no routes yet for the local End.X functions. The local End.X functions are not yet instantiated, because there is no regular LFA protection while protection is enabled for End.X function. Verify the IPv6 route table.

```

=====
*A:PE-1# show router route-table ipv6
=====
IPv6 Route Table (Router: Base)
=====
Dest Prefix[Flags]                Type  Proto  Age           Pref
  Next Hop[Interface Name]          Metric
-----
2001:db8::2:1/128                  Local  Local  00h18m56s    0
  system                              0
2001:db8::2:2/128                  Remote ISIS    00h03m43s    18
  fe80::60e:1ff:fe01:1-"int-PE-1-PE-2" 10
2001:db8::2:3/128                  Remote  ISIS    00h03m43s    18
  fe80::616:1ff:fe01:1-"int-PE-1-P-4"  20
2001:db8::2:4/128                  Remote  ISIS    00h03m43s    18
  fe80::616:1ff:fe01:1-"int-PE-1-P-4"  10
2001:db8::2:5/128                  Remote  ISIS    00h03m43s    18
  fe80::616:1ff:fe01:1-"int-PE-1-P-4"  30
2001:db8::168:12:0/126            Local Local    00h18m55s    0
  int-PE-1-PE-2                      0
2001:db8::168:14:0/126             Local  Local  00h18m55s    0
  int-PE-1-P-4                          0
2001:db8::168:25:0/126            Remote ISIS    00h03m43s    18
  fe80::60e:1ff:fe01:1-"int-PE-1-PE-2" 31
2001:db8::168:34:0/126             Remote  ISIS    00h03m43s    18
  fe80::616:1ff:fe01:1-"int-PE-1-P-4"  20
2001:db8::168:35:0/126             Remote  ISIS    00h03m43s    18
  fe80::616:1ff:fe01:1-"int-PE-1-P-4"  30
2001:db8:aaaa:101::/64             Local  SRV6    00h05m06s    3
  fe80::201-"_tmnx_fpe_2.a"            0
2001:db8:aaaa:101:0:1000::/128     Local  SRV6    00h05m06s    3
  Black Hole                              0
2001:db8:aaaa:102::/64            Remote ISIS    00h03m33s    18
  2001:db8:aaaa:102::/64 (tunneled:SRV6-ISIS) 10
2001:db8:aaaa:113::/64             Remote  ISIS    00h03m22s    18
  2001:db8:aaaa:113::/64 (tunneled:SRV6-ISIS) 20
2001:db8:aaaa:114::/64             Remote  ISIS    00h03m10s    18

```

```

2001:db8:aaaa:114::/64 (tunneled:SRV6-ISIS)          10
2001:db8:aaaa:115::/64 Remote ISIS              00h02m58s 18
2001:db8:aaaa:115::/64 (tunneled:SRV6-ISIS)          30
-----
No. of Routes: 16
---snip---
=====

```

Verify the corresponding IPv6 FIB.

```

*A:PE-1# show router fib 1 ipv6

=====
FIB Display
=====
Prefix [Flags]                                Protocol
NextHop
-----
2001:db8::2:1/128                             LOCAL
  2001:db8::2:1 (system)
2001:db8::2:2/128                             ISIS
  fe80::60e:1ff:fe01:1 (int-PE-1-PE-2)
2001:db8::2:3/128                             ISIS
  fe80::616:1ff:fe01:1 (int-PE-1-P-4)
2001:db8::2:4/128                             ISIS
  fe80::616:1ff:fe01:1 (int-PE-1-P-4)
2001:db8::2:5/128                             ISIS
  fe80::616:1ff:fe01:1 (int-PE-1-P-4)
2001:db8::168:12:0/126                       LOCAL
  2001:db8::168:12:0 (int-PE-1-PE-2)
2001:db8::168:14:0/126                       LOCAL
  2001:db8::168:14:0 (int-PE-1-P-4)
2001:db8::168:25:0/126                       ISIS
  fe80::60e:1ff:fe01:1 (int-PE-1-PE-2)
2001:db8::168:34:0/126                       ISIS
  fe80::616:1ff:fe01:1 (int-PE-1-P-4)
2001:db8::168:35:0/126                       ISIS
  fe80::616:1ff:fe01:1 (int-PE-1-P-4)
2001:db8:aaaa:101::/64                       SRV6
  fe80::201 (_tmnx_fpe_2.a)
2001:db8:aaaa:101:0:1000::/128               SRV6
  Blackhole
2001:db8:aaaa:102::/64                       ISIS
  2001:db8:aaaa:102::/64 (Transport:SRV6:524289)
2001:db8:aaaa:113::/64                       ISIS
  2001:db8:aaaa:113::/64 (Transport:SRV6:524290)
2001:db8:aaaa:114::/64                       ISIS
  2001:db8:aaaa:114::/64 (Transport:SRV6:524291)
2001:db8:aaaa:115::/64                       ISIS
  2001:db8:aaaa:115::/64 (Transport:SRV6:524292)
-----
Total Entries : 16
=====

```

The IS-IS data base contains the following information. Only the End functions are already instantiated, on their respective locators.

```

*A:PE-1# show router isis database detail

=====
Rtr Base ISIS Instance 0 Database (detail)

```



```

=====
Displaying Level 1 database
-----
Level (1) LSP Count : 0

Displaying Level 2 database
-----
LSP ID   : PE-1.00-00                               Level   : L2
---snip---
SYS ID   : 0010.0100.1001                           SysID Len : 6           Used Len  : 368

TLVs :
---snip---
Router Cap : 1.1.1.1, D:0, S:0
  TE Node Cap : B E M P
  SRv6 Cap: 0x0000
  SR Alg: metric based SPF
  Node MSD Cap: BMI : 0 SRH-MAX-SL : 10 SRH-MAX-END-POP : 9 SRH-MAX-H-ENCAPS : 1 SRH-MAX-END-
D : 9
---snip---
TE IS Nbrs :
  Nbr   : PE-2.00
  Default Metric : 10
---snip---
TE IS Nbrs :
  Nbr   : P-4.00
  Default Metric : 10
---snip---
IPv6 Reach:
---snip---
  Metric: ( I ) 0
  Prefix  : 2001:db8:aaaa:101::/64
SRv6 Locator :
  MT ID : 0
  Metric: ( ) 0 Algo:0
  Prefix  : 2001:db8:aaaa:101::/64
  Sub TLV :
    End-SID : 2001:db8:aaaa:101:0:1000::, flags:0x0, endpoint:End-USP
-----
LSP ID   : PE-2.00-00                               Level   : L2
---snip---
SYS ID   : 0010.0100.1002                           SysID Len : 6           Used Len  : 368

TLVs :
---snip---
Router Cap : 1.1.1.2, D:0, S:0
  TE Node Cap : B E M P
  SRv6 Cap: 0x0000
  SR Alg: metric based SPF
  Node MSD Cap: BMI : 0 SRH-MAX-SL : 10 SRH-MAX-END-POP : 9 SRH-MAX-H-ENCAPS : 1 SRH-MAX-END-
D : 9
---snip---
TE IS Nbrs :
  Nbr   : PE-1.00
  Default Metric : 10
---snip---
TE IS Nbrs :
  Nbr   : P-5.00
  Default Metric : 21
---snip---
IPv6 Reach:
---snip---

```

```

Metric: ( I ) 21
Prefix : 2001:db8::168:25:0/126
Metric: ( I ) 0
Prefix : 2001:db8:aaaa:102::/64
SRv6 Locator :
MT ID : 0
Metric: ( ) 0 Algo:0
Prefix : 2001:db8:aaaa:102::/64
Sub TLV :
End-SID : 2001:db8:aaaa:102:0:1000::, flags:0x0, endpoint:End-USP
-----
LSP ID : P-3.00-00 Level : L2
---snip---
SYS ID : 0010.0100.1003 SysID Len : 6 Used Len : 367

TLVs :
---snip---
Router Cap : 1.1.1.3, D:0, S:0
TE Node Cap : B E M P
SRv6 Cap: 0x0000
SR Alg: metric based SPF
Node MSD Cap: BMI : 0 SRH-MAX-SL : 10 SRH-MAX-END-POP : 9 SRH-MAX-H-ENCAPS : 1 SRH-MAX-END-
D : 9
---snip---
TE IS Nbrs :
Nbr : P-4.00
Default Metric : 10
---snip---
TE IS Nbrs :
Nbr : P-5.00
Default Metric : 10
---snip---
IPv6 Reach:
---snip---
Metric: ( I ) 0
Prefix : 2001:db8:aaaa:113::/64
SRv6 Locator :
MT ID : 0
Metric: ( ) 0 Algo:0
Prefix : 2001:db8:aaaa:113::/64
Sub TLV :
End-SID : 2001:db8:aaaa:113:0:1000::, flags:0x0, endpoint:End-USP
-----
LSP ID : P-4.00-00 Level : L2
---snip---
SYS ID : 0010.0100.1004 SysID Len : 6 Used Len : 367

TLVs :
---snip---
Router Cap : 1.1.1.4, D:0, S:0
TE Node Cap : B E M P
SRv6 Cap: 0x0000
SR Alg: metric based SPF
Node MSD Cap: BMI : 0 SRH-MAX-SL : 10 SRH-MAX-END-POP : 9 SRH-MAX-H-ENCAPS : 1 SRH-MAX-END-
D : 9
---snip---
TE IS Nbrs :
Nbr : PE-1.00
Default Metric : 10
---snip---
TE IS Nbrs :
Nbr : P-3.00

```

```

Default Metric : 10
---snip---
IPv6 Reach:
---snip---
Metric: ( I ) 0
Prefix : 2001:db8:aaaa:114::/64
SRv6 Locator :
MT ID : 0
Metric: ( ) 0 Algo:0
Prefix : 2001:db8:aaaa:114::/64
Sub TLV :
End-SID : 2001:db8:aaaa:114:0:1000::, flags:0x0, endpoint:End-USP

-----
LSP ID : P-5.00-00                                Level : L2
---snip---
SYS ID : 0010.0100.1005                SysID Len : 6                Used Len : 367

TLVs :
---snip---
Router Cap : 1.1.1.5, D:0, S:0
TE Node Cap : B E M P
SRv6 Cap: 0x0000
SR Alg: metric based SPF
Node MSD Cap: BMI : 0 SRH-MAX-SL : 10 SRH-MAX-END-POP : 9 SRH-MAX-H-ENCAPS : 1 SRH-MAX-END-
D : 9
---snip---
TE IS Nbrs :
Nbr : PE-2.00
Default Metric : 21
---snip---
TE IS Nbrs :
Nbr : P-3.00
Default Metric : 10
---snip---
IPv6 Reach:
---snip---
Metric: ( I ) 21
Prefix : 2001:db8::168:25:0/126
---snip---
Metric: ( I ) 0
Prefix : 2001:db8:aaaa:115::/64
SRv6 Locator :
MT ID : 0
Metric: ( ) 0 Algo:0
Prefix : 2001:db8:aaaa:115::/64
Sub TLV :
End-SID : 2001:db8:aaaa:115:0:1000::, flags:0x0, endpoint:End-USP

Level (2) LSP Count : 5
-----
---snip---
=====

```

Verify the SRv6 local SIDs and SRv6 base routing instances on PE-1 and similar on PE-2. The End.X functions are not yet instantiated.

```

*A:PE-1# show router segment-routing-v6 local-sid

=====
Segment Routing v6 Local SIDs
=====
SID                                Type                                Function

```

```
Locator
Context
-----
2001:db8:aaaa:101:0:1000::          End          1
PE-1_loc
Base
2001:db8:aaaa:101:78a6:b000::      End.DT6      494187
PE-1_loc
SvcId: 2 Name: VPRN_2
2001:db8:aaaa:101:78a6:c000::      End.DT4      494188
PE-1_loc
SvcId: 2 Name: VPRN_2
-----
SIDs : 3
-----
=====
```

The End.X functions not yet being instantiated can also be verified in the SRv6 base routing instances on PE-1 and similar on PE-2. Only the End function is already instantiated.

```
*A:PE-1# show router segment-routing-v6 base-routing-instance

=====
Segment Routing v6 Base Routing Instance
=====
Locator
Type      Function  SID              Status/InstId
SRH-mode Protection Interface
-----
PE-1_loc
End              1 2001:db8:aaaa:101:0:1000::  ok
USP
-----
Auto-allocated End.X: USP Protected,
-----
Legend: * - System allocated
```

Verify that the tunnels have SRv6 encapsulation.

```
*A:PE-1# show router tunnel-table ipv6

=====
IPv6 Tunnel Table (Router: Base)
=====
Destination      Owner      Encap TunnelId  Pref
NextHop          Color
-----
2001:db8:aaaa:102::/64  srv6-isis SRV6 524289  0
fe80::60e:1ff:fe01:1-"int-PE-1-PE-2"  10
2001:db8:aaaa:113::/64  srv6-isis SRV6 524290  0
fe80::616:1ff:fe01:1-"int-PE-1-P-4"    20
2001:db8:aaaa:114::/64  srv6-isis SRV6 524291  0
fe80::616:1ff:fe01:1-"int-PE-1-P-4"    10
2001:db8:aaaa:115::/64  srv6-isis SRV6 524292  0
fe80::616:1ff:fe01:1-"int-PE-1-P-4"    30
-----
---snip---
=====
```

Verify the interfaces that the tunnels are using. Interface "int-PE-1-PE-2" is configured on port 1/1/c1/1:1000. Interface "int-PE-1-P-4" is configured on port 1/1/c2/1:1000. SRv6 data is transported to PE-2 over the link between PE-1 and PE-2, via next hop fe80::60e:1ff:fe01:1-"int-PE-1-PE-2".

```
*A:PE-1# show router fp-tunnel-table 1 ipv6

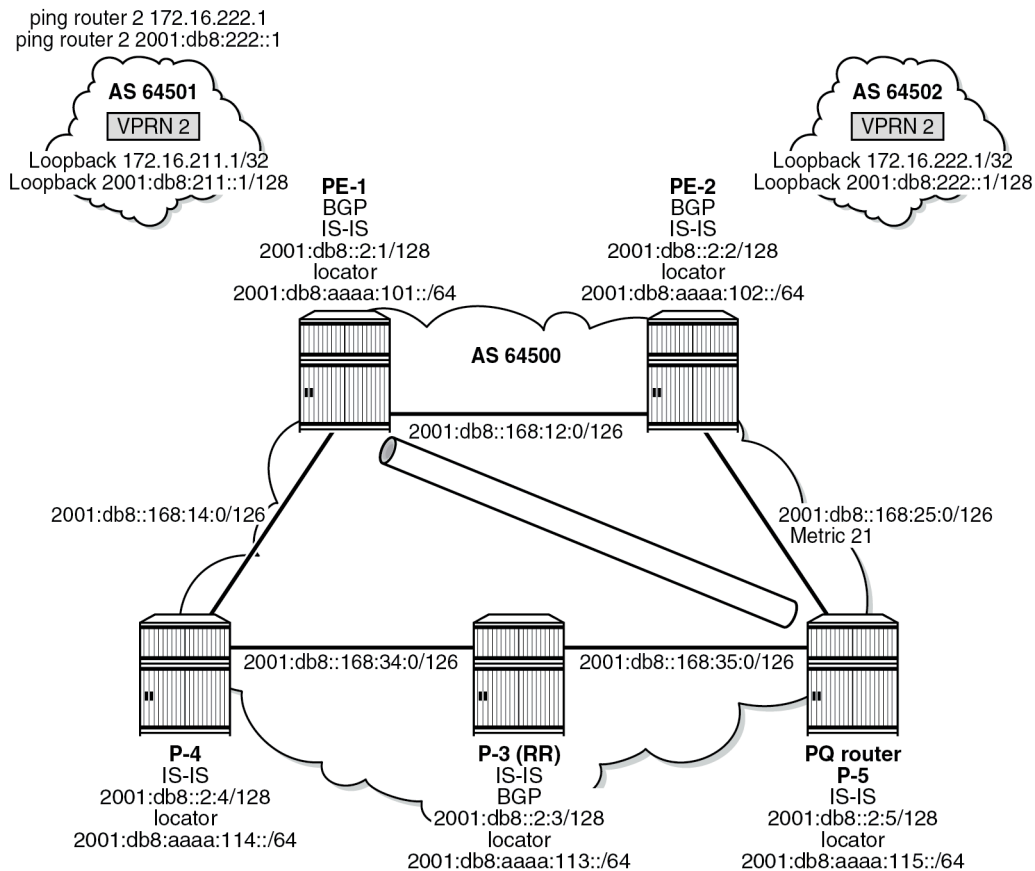
=====
IPv6 Tunnel Table Display

Legend:
label stack is ordered from bottom-most to top-most
B - FRR Backup
=====
Destination                                Protocol      Tunnel-ID
 Lbl/SID
  NextHop                                  Intf/Tunnel
 Lbl/SID (backup)
  NextHop (backup)
-----
2001:db8:aaaa:102::/64                     SRV6         524289
-
  fe80::60e:1ff:fe01:1-"int-PE-1-PE-2"    1/1/c1/1:1000
2001:db8:aaaa:113::/64                     SRV6         524290
-
  fe80::616:1ff:fe01:1-"int-PE-1-P-4"    1/1/c2/1:1000
2001:db8:aaaa:114::/64                     SRV6         524291
-
  fe80::616:1ff:fe01:1-"int-PE-1-P-4"    1/1/c2/1:1000
2001:db8:aaaa:115::/64                     SRV6         524292
-
  fe80::616:1ff:fe01:1-"int-PE-1-P-4"    1/1/c2/1:1000
-----
Total Entries : 4
=====
```

Configure LFA on PE-1

Figure 59: Example topology with metric 21 between PE-2 and P-5 shows the example topology with initial metrics that is used to verify the behavior when a PQ-router provides TI-LFA protection.

Figure 59: Example topology with metric 21 between PE-2 and P-5



37606

Configure regular LFA:

```
*A:PE-1# configure router Base isis 0
      loopfree-alternates
      exit all
```

Verify the IPv6 route table. There are two additional routes, corresponding with the End.X functions for locator "PE-1_loc" that are instantiated. The existing route to P-5 is loop-protected with regular LFA.

```
*A:PE-1# show router route-table ipv6
```

```
=====
IPv6 Route Table (Router: Base)
=====
Dest Prefix[Flags]                               Type  Proto  Age           Pref
Next Hop[Interface Name]                         Metric
-----
---snip---
2001:db8::2:5/128 [L]                            Remote ISIS  00h05m54s  18
      fe80::616:1ff:fe01:1-"int-PE-1-P-4"         30
---snip---
2001:db8:aaaa:101:78a6:d000::/128                Local  ISIS    00h00m33s  18
2001:db8:aaaa:101:78a6:d000:: (tunneled:SRV6-ISIS) 10
```

```

2001:db8:aaaa:101:78a6:e000::/128      Local  ISIS      00h00m33s  18
      2001:db8:aaaa:101:78a6:e000:: (tunneled:SRV6-ISIS)      10
---snip---
      2001:db8:aaaa:115::/64 (tunneled:SRV6-ISIS)              30
-----
No. of Routes: 18
Flags: n = Number of times nexthop is repeated
      B = BGP backup route available
      L = LFA nexthop available
---snip---
=====

```

Verify the corresponding IPv6 FIB.

```

*A:PE-1# show router fib 1 ipv6

=====
FIB Display
=====
Prefix [Flags]                                Protocol
NextHop
-----
---snip---
2001:db8::2:5/128                             ISIS
  fe80::616:1ff:fe01:1 (int-PE-1-P-4)
---snip---
2001:db8:aaaa:101:78a6:d000::/128             ISIS
  2001:db8:aaaa:101:78a6:d000:: (Transport:SRV6:524293)
2001:db8:aaaa:101:78a6:e000::/128           ISIS
  2001:db8:aaaa:101:78a6:e000:: (Transport:SRV6:524294)
---snip---
-----
Total Entries : 18
-----
=====

```

The IS-IS database contains additional information about the End.X functions that are instantiated on PE-1. The End.X functions for the locator "PE-1_loc" are instantiated and advertised. There are no changes for the other routers.

```

*A:PE-1# show router isis database detail

=====
Rtr Base ISIS Instance 0 Database (detail)
=====
---snip---
Displaying Level 2 database
-----
LSP ID    : PE-1.00-00                                Level    : L2
---snip---
TLVs :
---snip---
TE IS Nbrs :
  Nbr      : PE-2.00
  Default Metric : 10
---snip---
  End.X-SID: 2001:db8:aaaa:101:78a6:d000:: flags:B algo:0 weight:0 endpoint:End.X-USP
TE IS Nbrs :
  Nbr      : P-4.00
  Default Metric : 10
---snip---
  End.X-SID: 2001:db8:aaaa:101:78a6:e000:: flags:B algo:0 weight:0 endpoint:End.X-USP

```

```
---snip---
Level (2) LSP Count : 5
---snip---
=====
```

Verify the SRv6 local SIDs and SRv6 base routing instance on PE-1. The End.X functions are also instantiated.

```
*A:PE-1# show router segment-routing-v6 local-sid

=====
Segment Routing v6 Local SIDs
=====
SID                               Type      Function
Locator                            Context
-----
---snip---
2001:db8:aaaa:101:78a6:d000::      End.X    494189
  PE-1_loc
  None
2001:db8:aaaa:101:78a6:e000::      End.X    494190
  PE-1_loc
  None
-----
SIDs : 5
=====
```

The SRv6 functions are listed.

```
*A:PE-1# show router segment-routing-v6 base-routing-instance

=====
Segment Routing v6 Base Routing Instance
=====
Locator                            Type      Function      SID                               Status/InstId
  Type      SRH-mode Protection Interface
-----
PE-1_loc
End                               1 2001:db8:aaaa:101:0:1000::      ok
  USP
-----
Auto-allocated End.X: USP Protected,
-----
End.X          *494189 2001:db8:aaaa:101:78a6:d000::      0
  USP          Protected int-PE-1-PE-2
  ISIS Level: L2 Mac Address: 04:0e:01:01:00:01 Nbr Sys Id: 0010.0100.1002
End.X          *494190 2001:db8:aaaa:101:78a6:e000::      0
  USP          Protected int-PE-1-P-4
  ISIS Level: L2 Mac Address: 04:16:01:01:00:01 Nbr Sys Id: 0010.0100.1004
-----
Legend: * - System allocated
```

Verify the IPv6 tunnel table. There are two new SRv6 tunnels for the End.X functions and the existing SRv6 tunnel to P-5 is loop-protected via regular LFA.

```
*A:PE-1# show router tunnel-table ipv6
```



```

=====
IPv6 Tunnel Table (Router: Base)
=====
Destination                               Owner   Encap TunnelId  Pref
NextHop                                   Color                                     Metric
-----
2001:db8:aaaa:101:78a6:d000::/128         srv6-isis SRV6  524293    0
    fe80::60e:1ff:fe01:1-"int-PE-1-PE-2"    10
2001:db8:aaaa:101:78a6:e000::/128         srv6-isis SRV6  524294    0
    fe80::616:1ff:fe01:1-"int-PE-1-P-4"     10
---snip---
2001:db8:aaaa:115::/64 [L]                srv6-isis SRV6  524292    0
    fe80::616:1ff:fe01:1-"int-PE-1-P-4"     30
-----
Flags: B = BGP or MPLS backup hop available
      L = Loop-Free Alternate (LFA) hop available
      ---snip---
=====

```

Verify the interfaces that the tunnels are using.

```

*A:PE-1# show router fp-tunnel-table 1 ipv6

=====
IPv6 Tunnel Table Display

Legend:
label stack is ordered from bottom-most to top-most
B - FRR Backup
=====
Destination                               Protocol   Tunnel-ID
Lbl/SID                                     Intf/Tunnel
NextHop                                     Intf/Tunnel
Lbl/SID (backup)                           Intf/Tunnel
NextHop (backup)                           Intf/Tunnel
-----
---snip---
2001:db8:aaaa:115::/64                     SRV6      524292
-
    fe80::616:1ff:fe01:1-"int-PE-1-P-4"    1/1/c2/1:1000
-
    fe80::60e:1ff:fe01:1-"int-PE-1-PE-2"(B) 1/1/c1/1:1000
2001:db8:aaaa:101:78a6:d000::/128         SRV6      524293
-
    fe80::60e:1ff:fe01:1-"int-PE-1-PE-2"    1/1/c1/1:1000
2001:db8:aaaa:101:78a6:e000::/128         SRV6      524294
-
    fe80::616:1ff:fe01:1-"int-PE-1-P-4"    1/1/c2/1:1000
-----
Total Entries : 6
=====

```

Configure TI-LFA:

```

*A:PE-1# configure router Base isis 0
    loopfree-alternates
        ti-lfa
        exit
    exit all

```

There are no changes to the IPv6 route table, IPv6 FIB, IS-IS database, SRv6 local SIDs, and SRv6 base routing instance, while the change in LFA computation results in LFA protection for the tunnels to the remote routers. The existing SRv6 tunnels to PE-2, P-3 and P-4 are now also loop-protected. Verify the IPv6 tunnel table.

```
*A:PE-1# show router tunnel-table ipv6

=====
IPv6 Tunnel Table (Router: Base)
=====
Destination                               Owner      Encap TunnelId  Pref
NextHop                                   Color
-----
2001:db8:aaaa:101:78a6:d000::/128         srv6-isis SRV6  524293    0
  fe80::60e:1ff:fe01:1-"int-PE-1-PE-2"    10
2001:db8:aaaa:101:78a6:e000::/128         srv6-isis SRV6  524294    0
  fe80::616:1ff:fe01:1-"int-PE-1-P-4"     10
2001:db8:aaaa:102::/64 [L]              srv6-isis SRV6  524289    0
  fe80::60e:1ff:fe01:1-"int-PE-1-PE-2"    10
2001:db8:aaaa:113::/64 [L]              srv6-isis SRV6  524290    0
  fe80::616:1ff:fe01:1-"int-PE-1-P-4"     20
2001:db8:aaaa:114::/64 [L]              srv6-isis SRV6  524291    0
  fe80::616:1ff:fe01:1-"int-PE-1-P-4"     10
2001:db8:aaaa:115::/64 [L]                srv6-isis SRV6  524292    0
  fe80::616:1ff:fe01:1-"int-PE-1-P-4"     30
-----
Flags: B = BGP or MPLS backup hop available
       L = Loop-Free Alternate (LFA) hop available
       ---snip---
=====
```

Verify the interfaces that the tunnels are using. When the link between PE-1 and PE-2 is operational, SRv6 data is transported to PE-2 over this link, via next hop fe80::60e:1ff:fe01:1-"int-PE-1-PE-2". When the link between PE-1 and PE-2 fails, SRv6 data is transported to PE-2 using a fast reroute (FRR) backup link between PE-1 and P-4, via backup next hop fe80::616:1ff:fe01:1-"int-PE-1-P-4". The SRv6 data is transported to PE-2 then, via an SRv6 tunnel to the End function on P-5, as the backup SID 2001:db8:aaaa:115:0:1000:: indicates.

```
*A:PE-1# show router fp-tunnel-table 1 ipv6

=====
IPv6 Tunnel Table Display
=====
Legend:
label stack is ordered from bottom-most to top-most
B - FRR Backup
=====
Destination                               Protocol   Tunnel-ID
Lbl/SID
NextHop                                   Intf/Tunnel
Lbl/SID (backup)
NextHop (backup)
-----
2001:db8:aaaa:102::/64                     SRV6      524289
-
  fe80::60e:1ff:fe01:1-"int-PE-1-PE-2"    1/1/c1/1:1000
2001:db8:aaaa:115:0:1000::
  fe80::616:1ff:fe01:1-"int-PE-1-P-4" (B) 1/1/c2/1:1000
2001:db8:aaaa:113::/64                     SRV6      524290
-
  fe80::616:1ff:fe01:1-"int-PE-1-P-4"    1/1/c2/1:1000
=====
```

```

2001:db8:aaaa:115:0:1000::
  fe80::60e:1ff:fe01:1-"int-PE-1-PE-2" (B)      1/1/c1/1:1000
2001:db8:aaaa:114::/64                          SRV6      524291
-
  fe80::616:1ff:fe01:1-"int-PE-1-P-4"          1/1/c2/1:1000
2001:db8:aaaa:115:0:1000::
  fe80::60e:1ff:fe01:1-"int-PE-1-PE-2" (B)      1/1/c1/1:1000
2001:db8:aaaa:115::/64                          SRV6      524292
-
  fe80::616:1ff:fe01:1-"int-PE-1-P-4"          1/1/c2/1:1000
-
  fe80::60e:1ff:fe01:1-"int-PE-1-PE-2" (B)      1/1/c1/1:1000
2001:db8:aaaa:101:78a6:d000::/128              SRV6      524293
-
  fe80::60e:1ff:fe01:1-"int-PE-1-PE-2"          1/1/c1/1:1000
2001:db8:aaaa:101:78a6:e000::/128              SRV6      524294
-
  fe80::616:1ff:fe01:1-"int-PE-1-P-4"          1/1/c2/1:1000
-----
Total Entries : 6
-----
=====

```

With the topology as shown in [Figure 58: Example topology](#), this behavior is described as follows:

There is no regular LFA protection for the destination prefix to PE-2 using the protected PE-1-PE-2 link, which can be understood when the regular LFA inequality is determined using a shortest-path distance (Spd) calculation:

$$\text{Spd}(N, D) < \text{Spd}(N, S) + \text{Spd}(S, D)$$

where

Spd is the shortest path distance (according to level 2 metrics)

S is the source router (PE-1)

D is the destination router (PE-2)

N is the alternate next hop router or neighboring node (P-4)

If the outcome of the calculation is true, then regular LFA protection is valid; if the outcome is false, then there is no LFA protection.

In this case the outcome is false.

$$\text{Spd}(P-4, PE-2) < \text{Spd}(P-4, PE-1) + \text{Spd}(PE-1, PE-2)$$

$$(10 + 10 + 21) < 10 + 10$$

There is TI-LFA protection for all destination prefixes using the protected PE-1-PE-2 link, which is determined using the calculation for TI-LFA.

The TI-LFA inequality for the extended P-space P' is:

$$\text{Spd}(N, Y_i) < \text{Spd}(N, S) + \text{Spd}(S, Y_i)$$

$$\text{Spd}(P-4, Y_i) < \text{Spd}(P-4, PE-1) + \text{Spd}(PE-1, Y_i)$$

where Y_i is the set of routers {P-3, P-5} that are reachable from PE-1 and its neighbor P-4 on the post-convergence path to PE-2, without traversing the link between PE-1 and PE-2.

Apply this inequality to the set of routers Y_i :

For $Y_i=P-3$, the outcome is true. So P-3 is in P' :

$$\text{Spd}(P-4, P-3) < \text{Spd}(P-4, PE-1) + \text{Spd}(PE-1, P-3)$$

$$10 < 10 + (10 + 10)$$

For $Y_i=P-5$, the outcome is true. So P-5 is in P' :

$$\text{Spd}(P-4, P-5) < \text{Spd}(P-4, PE-1) + \text{Spd}(PE-1, P-5)$$

$$(10 + 10) < 10 + (10 + 10 + 10)$$

So, the extended P-space $P' = \{P-3, P-5\}$

The TI-LFA inequality for the Q-space Q is:

$$\text{Spd}(Z_i, D) < \text{Spd}(Z_i, S) + \text{Spd}(S, D)$$

$$\text{Spd}(Z_i, PE-2) < \text{Spd}(Z_i, PE-1) + \text{Spd}(PE-1, PE-2)$$

where Z_i is the set of routers {P-3, P-5} that are reachable from PE-2 using reverse SPF on the post-convergence path to PE-1 without traversing the link between PE-1 and PE-2.

Apply this inequality to the set of routers Z_i :

For $Z_i=P-3$, the outcome is false. So P-3 is **not** in Q:

$$\text{Spd}(P-3, PE-2) < \text{Spd}(P-3, PE-1) + \text{Spd}(PE-1, PE-2)$$

$$(10 + 21) < (10 + 10) + 10$$

For $Z_i=P-5$, the outcome is true. So P-5 is in Q:

$$\text{Spd}(P-5, PE-2) < \text{Spd}(P-5, PE-1) + \text{Spd}(PE-1, PE-2)$$

$$21 < (10 + 10 + 10) + 10$$

So, the Q-space $Q = \{P-5\}$

So, the link between PE-1 and PE-2 is TI-LFA protected with the PQ-router P-5 that belongs to the intersection of the extended P space P' and the Q space.

SRv6 data is transported to P-4, P-3, and P-5 over the link between PE-1 and P-4, via next hop fe80::616:1ff:fe01:1-"int-PE-1-P-4". When the link between PE-1 and P-4 fails, SRv6 data is transported to P-4, P-3, and P-5 using a FRR backup link between PE-1 and PE-2, via backup next hop fe80::60e:1ff:fe01:1-"int-PE-1-PE-2". The SRv6 data is transported to P-4 and P-3 then via an SRv6 tunnel to the End function on P-5, as the backup SID 2001:db8:aaaa:115:0:1000:: indicates. The SRv6 data is transported to P-5 then without using an SRv6 tunnel, as the absence of a backup SID indicates.

Shut down the link between PE-1 and PE-2:

```
*A:PE-1# configure router Base interface "int-PE-1-PE-2" shutdown
```

Because PE-2 disappears as a traffic-engineered (TE) IS-IS neighbor of PE-1, the End.X function that corresponds with the interface "int-PE-1-PE-2" is no longer instantiated. The IPv6 route table and IPv6 FIB indicate that data transport from PE-1 to PE-2 and P-5 now follows a path with a higher metric via P-4. The route to the End.X function that corresponds with the interface "int-PE-1-PE-2" is no longer present. There is no longer LFA protection for the route to P-5. Verify the IPv6 route table.

```
*A:PE-1# show router route-table ipv6
```

```
=====
IPv6 Route Table (Router: Base)
=====
Dest Prefix[Flags]                               Type  Proto  Age           Pref
  Next Hop[Interface Name]                       Metric
-----
---snip---
2001:db8::2:2/128                               Remote ISIS    00h00m28s  18
      fe80::616:1ff:fe01:1-"int-PE-1-P-4"          51
---snip---
2001:db8::2:5/128                                Remote  ISIS    00h09m54s  18
      fe80::616:1ff:fe01:1-"int-PE-1-P-4"          30
2001:db8::168:12:0/126                           Remote ISIS    00h00m28s  18
      fe80::616:1ff:fe01:1-"int-PE-1-P-4"          61
---snip---
2001:db8::168:25:0/126                             Remote ISIS    00h00m28s  18
      fe80::616:1ff:fe01:1-"int-PE-1-P-4"          51
---snip---
-----
No. of Routes: 17
---snip---
=====
```

Verify the corresponding IPv6 FIB.

```
*A:PE-1# show router fib 1 ipv6
```

```
=====
FIB Display
=====
Prefix [Flags]                               Protocol
  NextHop
-----
---snip---
2001:db8::2:2/128                             ISIS
      fe80::616:1ff:fe01:1 (int-PE-1-P-4)
---snip---
2001:db8::168:12:0/126                         ISIS
      fe80::616:1ff:fe01:1 (int-PE-1-P-4)
---snip---
2001:db8::168:25:0/126                         ISIS
      fe80::616:1ff:fe01:1 (int-PE-1-P-4)
---snip---
-----
Total Entries : 17
-----
=====
```

Verify the SRv6 local SIDs and SRv6 base routing instance on PE-1. The SID that corresponds with the interface “int-PE-1-PE-2” is no longer present and is no longer advertised to the other routers.

```
*A:PE-1# show router segment-routing-v6 local-sid

=====
Segment Routing v6 Local SIDs
=====
SID                               Type           Function
Locator
Context
-----
2001:db8:aaaa:101:0:1000::        End            1
PE-1_loc
Base
2001:db8:aaaa:101:78a6:b000::      End.DT6        494187
PE-1_loc
SvcId: 2 Name: VPRN_2
2001:db8:aaaa:101:78a6:c000::      End.DT4        494188
PE-1_loc
SvcId: 2 Name: VPRN_2
2001:db8:aaaa:101:78a6:e000::      End.X          494190
PE-1_loc
None
-----
SIDs : 4
=====
```

The End.X function with SID 2001:db8:aaaa:101:78a6:d000:: that corresponds with the interface “int-PE-1-PE-2” is no longer instantiated.

```
*A:PE-1# show router segment-routing-v6 base-routing-instance

=====
Segment Routing v6 Base Routing Instance
=====
Locator
Type           Function      SID                               Status/InstId
SRH-mode      Protection   Interface
-----
PE-1_loc
End            USP           1 2001:db8:aaaa:101:0:1000::      ok
USP
-----
Auto-allocated End.X: USP Protected,
-----
End.X          *494190      2001:db8:aaaa:101:78a6:e000::      0
USP            Protected    int-PE-1-P-4
ISIS Level: L2 Mac Address: 04:16:01:01:00:01 Nbr Sys Id: 0010.0100.1004
-----
Legend: * - System allocated
```

Verify the IPv6 tunnel table. There are no longer any backup tunnels and SRv6 data is transported to all destinations via the link between PE-1 and P-4.

```
*A:PE-1# show router tunnel-table ipv6

=====
IPv6 Tunnel Table (Router: Base)
```

```

=====
Destination                               Owner   Encap TunnelId  Pref
NextHop                                   Color
-----
2001:db8:aaaa:101:78a6:e000::/128         srv6-isis SRV6  524294   0
  fe80::616:1ff:fe01:1-"int-PE-1-P-4"    10
2001:db8:aaaa:102::/64                   srv6-isis SRV6  524289   0
  fe80::616:1ff:fe01:1-"int-PE-1-P-4"    51
2001:db8:aaaa:113::/64                   srv6-isis SRV6  524290   0
  fe80::616:1ff:fe01:1-"int-PE-1-P-4"    20
2001:db8:aaaa:114::/64                   srv6-isis SRV6  524291   0
  fe80::616:1ff:fe01:1-"int-PE-1-P-4"    10
2001:db8:aaaa:115::/64                   srv6-isis SRV6  524292   0
  fe80::616:1ff:fe01:1-"int-PE-1-P-4"    30
-----
---snip---
=====

```

Verify the interfaces that the tunnels are using. There is no longer any possibility for alternate routes.

```

*A:PE-1# show router fp-tunnel-table 1 ipv6

=====
IPv6 Tunnel Table Display

Legend:
Label stack is ordered from bottom-most to top-most
B - FRR Backup
=====
Destination                               Protocol   Tunnel-ID
Lbl/SID
NextHop                                   Intf/Tunnel
Lbl/SID (backup)
NextHop (backup)
-----
2001:db8:aaaa:102::/64                   SRV6      524289
-
  fe80::616:1ff:fe01:1-"int-PE-1-P-4"    1/1/c2/1:1000
2001:db8:aaaa:113::/64                   SRV6      524290
-
  fe80::616:1ff:fe01:1-"int-PE-1-P-4"    1/1/c2/1:1000
2001:db8:aaaa:114::/64                   SRV6      524291
-
  fe80::616:1ff:fe01:1-"int-PE-1-P-4"    1/1/c2/1:1000
2001:db8:aaaa:115::/64                   SRV6      524292
-
  fe80::616:1ff:fe01:1-"int-PE-1-P-4"    1/1/c2/1:1000
2001:db8:aaaa:101:78a6:e000::/128        SRV6      524294
-
  fe80::616:1ff:fe01:1-"int-PE-1-P-4"    1/1/c2/1:1000
-----
Total Entries : 5
=====

```

Bring up again the link between PE-1 and PE-2 to restore the initial topology:

```

*A:PE-1# configure router Base interface "int-PE-1-PE-2" no shutdown

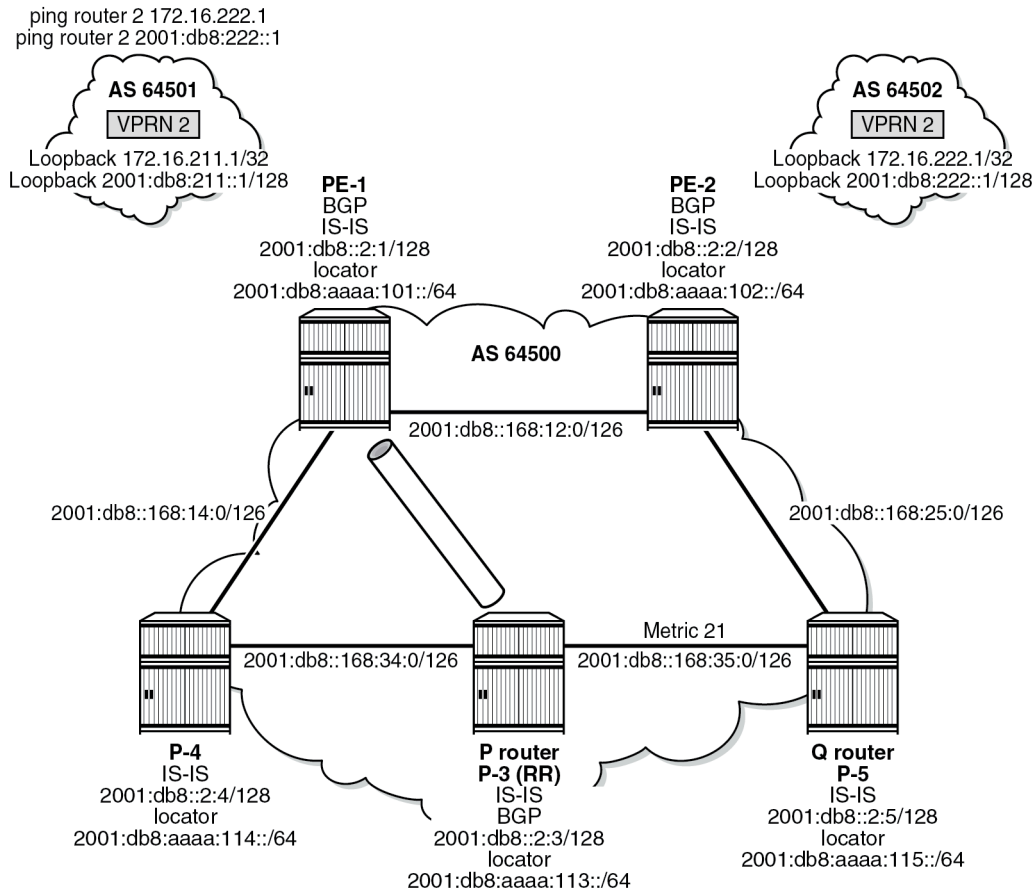
```

The End.X function that corresponds with the interface "int-PE-1-PE-2" is re-instantiated, but with SID 2001:db8:aaaa:101:78a6:f000:: and SRv6 **Tunnel-ID** 524295.

Modify metrics so that the P-router and the Q-router no longer coincide

Figure 60: Example topology with metric 21 between P-3 and P-5 shows the example topology with modified metrics that is used to verify the behavior when a disjoint P-router and Q-router provide TI-LFA protection.

Figure 60: Example topology with metric 21 between P-3 and P-5



37607

Metrics can be modified for the interface "int-PE-2-P-5" on PE-2 with the command **configure router "Base" isis 0 interface "int-PE-2-P-5" level 2 metric <value>**. Similar commands apply for the interface "int-P-3-P-5" on P-3, and for the interfaces "int-P-5-PE-2" and "int-P-5-P-3" on P-5.

Verify the IPv6 route table. P-5 is now reached via interface "int-PE-1-PE-2".

```
*A:PE-1# show router route-table ipv6
```

```
=====
IPv6 Route Table (Router: Base)
=====
```

Dest Prefix[Flags]	Type	Proto	Age	Pref
Next Hop[Interface Name]			Metric	

```
---snip---
```



```

2001:db8::2:5/128 Remote ISIS 00h01m00s 18
    fe80::60e:1ff:fe01:1-"int-PE-1-PE-2" 20
---snip---
2001:db8::168:35:0/126 Remote ISIS 00h00m26s 18
    fe80::60e:1ff:fe01:1-"int-PE-1-PE-2" 41
---snip---
-----
No. of Routes: 18
---snip---
=====

```

Verify the corresponding IPv6 FIB.

```

*A:PE-1# show router fib 1 ipv6

=====
FIB Display
=====
Prefix [Flags] Protocol
NextHop
-----
---snip---
2001:db8::2:5/128 ISIS
    fe80::60e:1ff:fe01:1 (int-PE-1-PE-2)
---snip---
2001:db8::168:35:0/126 ISIS
    fe80::60e:1ff:fe01:1 (int-PE-1-PE-2)
---snip---
Total Entries : 18
-----
=====

```

On PE-1, apart from the metrics, the IS-IS data base, the SRv6 local SIDs, and the SRv6 base routing instance do not change.

Verify the IPv6 tunnel table.

```

*A:PE-1# show router tunnel-table ipv6

=====
IPv6 Tunnel Table (Router: Base)
=====
Destination Owner Encap TunnelId Pref
NextHop Color Metric
-----
---snip---
2001:db8:aaaa:115::/64 srv6-isis SRV6 524292 0
    fe80::60e:1ff:fe01:1-"int-PE-1-PE-2" 20
---snip---
=====

```

Verify the interfaces that the tunnels are using.

```

*A:PE-1# show router fp-tunnel-table 1 ipv6

=====
IPv6 Tunnel Table Display

Legend:
label stack is ordered from bottom-most to top-most

```

```

B - FRR Backup
=====
Destination                                Protocol      Tunnel-ID
  Lbl/SID
  NextHop                                    Intf/Tunnel
  Lbl/SID (backup)
  NextHop (backup)
-----
---snip---
2001:db8:aaaa:115::/64                    SRV6        524292
-
  fe80::60e:1ff:fe01:1-"int-PE-1-PE-2"    1/1/c1/1:1000
---snip---
-----
Total Entries : 6
-----
=====

```

Without support for LFA on P-3, the TI-LFA computation on PE-1 does not lead to a PQ-router, because the End.X functions on P-3 are neither instantiated nor advertised to the other routers.

On P-3, verify the SRv6 local SIDs and SRv6 base routing instance. The End.X functions are not yet instantiated.

```

*A:P-3# show router segment-routing-v6 local-sid
=====
Segment Routing v6 Local SIDs
=====
SID                                         Type      Function
  Locator
  Context
-----
2001:db8:aaaa:113:0:1000::                End      1
  P-3_loc
  Base
-----
SIDs : 1
-----
=====

```

Only the End function is already instantiated. The End.X functions are not yet instantiated.

```

*A:P-3# show router segment-routing-v6 base-routing-instance
=====
Segment Routing v6 Base Routing Instance
=====
Locator                                     Status/InstId
  Type      Function      SID
  SRH-mode Protection Interface
-----
P-3_loc
End          1 2001:db8:aaaa:113:0:1000::    ok
  USP
-----
  Auto-allocated End.X: USP Protected,
-----
Legend: * - System allocated

```

Configure LFA on P-3

```
*A:P-3# configure router Base isis 0
      loopfree-alternates
      exit all
```

The IS-IS database contains additional information about the End.X functions that are instantiated on P-3.

```
*A:PE-1# show router isis database detail

=====
Rtr Base ISIS Instance 0 Database (detail)
=====
---snip---
Displaying Level 2 database
-----
---snip---
-----
LSP ID      : P-3.00-00                               Level      : L2
---snip---
TLVs :
---snip---
TE IS Nbrs :
  Nbr      : P-4.00
  Default Metric : 10
---snip---
  End.X-SID: 2001:db8:aaaa:113:0:4000:: flags:B algo:0 weight:0 endpoint:End.X-USP
TE IS Nbrs :
  Nbr      : P-5.00
  Default Metric : 21
---snip---
  End.X-SID: 2001:db8:aaaa:113:0:5000:: flags:B algo:0 weight:0 endpoint:End.X-USP
---snip---
Level (2) LSP Count : 5
-----
---snip---
=====
```

On PE-1, the IS-IS data base, the IPv6 route table, the IPv6 FIB, the SRv6 local SIDs, and the SRv6 base routing instance do not change.

On PE-3, verify the SRv6 local SIDs and SRv6 base routing instance. The End.X functions are also instantiated.

```
*A:P-3# show router segment-routing-v6 local-sid

=====
Segment Routing v6 Local SIDs
=====
SID                                     Type      Function
Locator
Context
-----
2001:db8:aaaa:113:0:1000::             End        1
P-3_loc
Base
2001:db8:aaaa:113:0:4000::             End.X      4
P-3_loc
None
2001:db8:aaaa:113:0:5000::             End.X      5
```

```

P-3_loc
None
-----
SIDs : 3
=====

*A:P-3# show router segment-routing-v6 base-routing-instance
=====
Segment Routing v6 Base Routing Instance
=====
Locator
Type      Function      SID              Status/InstId
SRH-mode Protection Interface
-----
P-3_loc
End              1 2001:db8:aaaa:113:0:1000::      ok
USP
-----
Auto-allocated End.X: USP Protected,
-----
End.X          *4 2001:db8:aaaa:113:0:4000::      0
USP      Protected int-P-3-P-4
ISIS Level: L2 Mac Address: 04:16:01:01:00:0b Nbr Sys Id: 0010.0100.1004
End.X          *5 2001:db8:aaaa:113:0:5000::      0
USP      Protected int-P-3-P-5
ISIS Level: L2 Mac Address: 04:1a:01:01:00:0b Nbr Sys Id: 0010.0100.1005
-----
Legend: * - System allocated

```

Verify the IPv6 tunnel table. The existing routes to PE-2 and P-5 are loop-protected.

```

*A:PE-1# show router tunnel-table ipv6
=====
IPv6 Tunnel Table (Router: Base)
=====
Destination      Owner      Encap TunnelId  Pref
Nexthop          Color      Metric
-----
---snip---
2001:db8:aaaa:102::/64 [L]      srv6-isis SRV6 524289  0
fe80::60e:1ff:fe01:1-"int-PE-1-PE-2"
10
---snip---
2001:db8:aaaa:115::/64 [L]      srv6-isis SRV6 524292  0
fe80::60e:1ff:fe01:1-"int-PE-1-PE-2"
20
-----
Flags: B = BGP or MPLS backup hop available
      L = Loop-Free Alternate (LFA) hop available
---snip---
=====

```

Verify the interfaces that the tunnels are using. Interface "int-PE-1-PE-2" is configured on port 1/1/c1/1:1000. Interface "int-PE-1-P-4" is configured on port 1/1/c2/1:1000.

When the link between PE-1 and PE-2 is operational, SRv6 data is transported to PE-2 over this link, via next hop fe80::60e:1ff:fe01:1-"int-PE-1-PE-2". When the link between PE-1 and PE-2 fails, SRv6 data is transported to PE-2 using a FRR backup link between PE-1 and P-4, via backup next hop fe80::616:1ff:fe01:1-"int-PE-1-P-4". The SRv6 data is transported to PE-2 then via an SRv6 tunnel to

the End.X function on P-3, as the backup SID 2001:db8:aaaa:113:0:5000:: indicates, followed by source routing to P-5.

```
*A:PE-1# show router fp-tunnel-table 1 ipv6

=====
IPv6 Tunnel Table Display

Legend:
Label stack is ordered from bottom-most to top-most
B - FRR Backup
=====
Destination                                Protocol      Tunnel-ID
Lbl/SID                                     NextHop      Intf/Tunnel
Lbl/SID (backup)                           NextHop      (backup)
-----
2001:db8:aaaa:102::/64                      SRV6         524289
-
  fe80::60e:1ff:fe01:1-"int-PE-1-PE-2"      1/1/c1/1:1000
  2001:db8:aaaa:113:0:5000::
  fe80::616:1ff:fe01:1-"int-PE-1-P-4"(B)  1/1/c2/1:1000
---snip---
2001:db8:aaaa:115::/64                      SRV6         524292
-
  fe80::60e:1ff:fe01:1-"int-PE-1-PE-2"      1/1/c1/1:1000
  2001:db8:aaaa:113:0:5000::
  fe80::616:1ff:fe01:1-"int-PE-1-P-4"(B)  1/1/c2/1:1000
---snip---
-----
Total Entries : 6
-----
=====
```

With the topology as shown in [Figure 59: Example topology with metric 21 between PE-2 and P-5](#), this behavior is described as follows:

There is no regular LFA protection for the destination prefix to PE-2 using the protected PE-1-PE-2 link, which can be understood when the regular LFA inequality is determined using a shortest-path distance (Spd) calculation:

$$Spd(N, D) < Spd(N, S) + Spd(S, D)$$

where

Spd is the shortest path distance (according to level 2 metrics)

S is the source router (PE-1)

D is the destination router (PE-2)

N is the alternate next hop router or neighboring node (P-4)

If the outcome of the calculation is true, then regular LFA protection is valid; if the outcome is false, then there is no LFA protection.

In this case the outcome is false.

$$Spd(P-4, PE-2) < Spd(P-4, PE-1) + Spd(PE-1, PE-2)$$

$$(10 + 21 + 10) < 10 + 10$$

There is TI-LFA protection for all destination prefixes using the protected PE-1-PE-2 link:

The TI-LFA inequality for the extended P-space P' is:

$$\text{Spd}(N, Y_i) < \text{Spd}(N, S) + \text{Spd}(S, Y_i)$$

$$\text{Spd}(P-4, Y_i) < \text{Spd}(P-4, PE-1) + \text{Spd}(PE-1, Y_i)$$

where Y_i is the set of routers {P-3, P-5} that are reachable from PE-1 and its neighbor P-4 on the post-convergence path to PE-2, without traversing the link between PE-1 and PE-2.

Apply this inequality to the set of routers Y_i :

For $Y_i=P-3$, the outcome is true. So P-3 is in P':

$$\text{Spd}(P-4, P-3) < \text{Spd}(P-4, PE-1) + \text{Spd}(PE-1, P-3)$$

$$10 < 10 + (10 + 10)$$

For $Y_i=P-5$, the outcome is false. So P-5 is **not** in P':

$$\text{Spd}(P-4, P-5) < \text{Spd}(P-4, PE-1) + \text{Spd}(PE-1, P-5)$$

$$(10 + 21) < 10 + (10 + 10)$$

So, the extended P-space $P' = \{P-3\}$

The TI-LFA inequality for the Q-space Q is:

$$\text{Spd}(Z_i, D) < \text{Spd}(Z_i, S) + \text{Spd}(S, D)$$

$$\text{Spd}(Z_i, PE-2) < \text{Spd}(Z_i, PE-1) + \text{Spd}(PE-1, PE-2)$$

where Z_i is the set of routers {P-3, P-5} that are reachable from PE-2 using reverse SPF on the post-convergence path to PE-1 without traversing the link between PE-1 and PE-2.

Apply this inequality to the set of routers Z_i :

For $Z_i=P-3$, the outcome is false. So P-3 is **not** in Q:

$$\text{Spd}(P-3, PE-2) < \text{Spd}(P-3, PE-1) + \text{Spd}(PE-1, PE-2)$$

$$(21 + 10) < (10 + 10) + 10$$

For $Z_i=P-5$, the outcome is true. So P-5 is in Q:

$$\text{Spd}(P-5, PE-2) < \text{Spd}(P-5, PE-1) + \text{Spd}(PE-1, PE-2)$$

$$10 < (21 + 10 + 10) + 10$$

So, the Q-space $Q = \{P-5\}$

So, the link between PE-1 and PE-2 is TI-LFA protected with the P-router P-3 and Q-router P-5.

Shut down the link between PE-1 and PE-2

```
*A:PE-1# configure router Base interface "int-PE-1-PE-2" shutdown
```

Because PE-2 disappears as a TE IS-IS neighbor of PE-1, the End.X function that corresponds with the interface "int-PE-1-PE-2" is no longer instantiated. The IPv6 route table and IPv6 FIB indicate that data transport from PE-1 to PE-2 and P-5 now follows a path with a higher metric via P-4. Verify the IPv6 route table.

```
*A:PE-1# show router route-table ipv6
```

```
=====
IPv6 Route Table (Router: Base)
=====
Dest Prefix[Flags]                               Type  Proto  Age      Pref
  Next Hop[Interface Name]                       Metric
-----
---snip---
2001:db8::2:2/128                                Remote ISIS  00h00m29s 18
      fe80::616:1ff:fe01:1-"int-PE-1-P-4"         51
---snip---
2001:db8::2:5/128                                Remote ISIS  00h00m29s 18
      fe80::616:1ff:fe01:1-"int-PE-1-P-4"         41
2001:db8::168:12:0/126                            Remote ISIS  00h00m29s 18
      fe80::616:1ff:fe01:1-"int-PE-1-P-4"         61
---snip---
2001:db8::168:25:0/126                            Remote ISIS  00h00m29s 18
      fe80::616:1ff:fe01:1-"int-PE-1-P-4"         51
---snip---
2001:db8::168:35:0/126                            Remote ISIS  00h00m29s 18
      fe80::616:1ff:fe01:1-"int-PE-1-P-4"         41
---snip---
No. of Routes: 17
---snip---
=====
```

Verify the corresponding IPv6 FIB.

```
*A:PE-1# show router fib 1 ipv6
```

```
=====
FIB Display
=====
Prefix [Flags]                                     Protocol
  NextHop
-----
---snip---
2001:db8::2:2/128                                  ISIS
      fe80::616:1ff:fe01:1 (int-PE-1-P-4)
---snip---
2001:db8::2:5/128                                  ISIS
      fe80::616:1ff:fe01:1 (int-PE-1-P-4)
2001:db8::168:12:0/126                             ISIS
      fe80::616:1ff:fe01:1 (int-PE-1-P-4)
---snip---
2001:db8::168:25:0/126                             ISIS
      fe80::616:1ff:fe01:1 (int-PE-1-P-4)
---snip---
2001:db8::168:35:0/126                             ISIS
      fe80::616:1ff:fe01:1 (int-PE-1-P-4)
```

```
---snip---
-----
Total Entries : 17
-----
=====
```

Verify the SRv6 local SIDs and SRv6 base routing instance on PE-1. The SID that corresponds with the interface "int-PE-1-PE-2" is no longer present and is no longer advertised to the other routers.

```
*A:PE-1# show router segment-routing-v6 local-sid

=====
Segment Routing v6 Local SIDs
=====
```

SID	Type	Function
Locator Context		
2001:db8:aaaa:101:0:1000:: PE-1_loc Base	End	1
2001:db8:aaaa:101:78a6:b000:: PE-1_loc SvcId: 2 Name: VPRN_2	End.DT6	494187
2001:db8:aaaa:101:78a6:c000:: PE-1_loc SvcId: 2 Name: VPRN_2	End.DT4	494188
2001:db8:aaaa:101:78a6:e000:: PE-1_loc None	End.X	494190

```
-----
SIDs : 4
-----
=====
```

The End.X function that corresponds with the interface "int-PE-1-PE-2" is no longer instantiated.

```
*A:PE-1# show router segment-routing-v6 base-routing-instance

=====
Segment Routing v6 Base Routing Instance
=====
```

Locator	Type	Function	SID	Status/InstId
	SRH-mode	Protection	Interface	
PE-1_loc	End		1 2001:db8:aaaa:101:0:1000::	ok
	USP			
Auto-allocated End.X: USP Protected,				
	End.X	*494190	2001:db8:aaaa:101:78a6:e000::	0
	USP	Protected	int-PE-1-P-4	
ISIS Level: L2 Mac Address: 04:16:01:01:00:01 Nbr Sys Id: 0010.0100.1004				

```
-----
Legend: * - System allocated
=====
```


Verify the IPv6 tunnel table. There are no longer any backup tunnels and SRv6 data is transported to all destinations via the link between PE-1 and P-4.

```
*A:PE-1# show router tunnel-table ipv6

=====
IPv6 Tunnel Table (Router: Base)
=====
Destination                               Owner      Encap TunnelId  Pref
NextHop                                   Color                                           Metric
-----
2001:db8:aaaa:101:78a6:e000::/128         srv6-isis SRV6   524294    0
      fe80::616:1ff:fe01:1-"int-PE-1-P-4"      10
2001:db8:aaaa:102::/64                   srv6-isis SRV6   524289    0
      fe80::616:1ff:fe01:1-"int-PE-1-P-4"      51
2001:db8:aaaa:113::/64                   srv6-isis SRV6   524290    0
      fe80::616:1ff:fe01:1-"int-PE-1-P-4"      20
2001:db8:aaaa:114::/64                   srv6-isis SRV6   524291    0
      fe80::616:1ff:fe01:1-"int-PE-1-P-4"      10
2001:db8:aaaa:115::/64                   srv6-isis SRV6   524292    0
      fe80::616:1ff:fe01:1-"int-PE-1-P-4"      41
-----
---snip---
=====
```

Verify the interfaces that the tunnels are using. There is no longer any possibility for alternate routes.

```
*A:PE-1# show router fp-tunnel-table 1 ipv6

=====
IPv6 Tunnel Table Display
Legend:
label stack is ordered from bottom-most to top-most
B - FRR Backup
=====
Destination                               Protocol   Tunnel-ID
Lbl/SID                                     Intf/Tunnel
NextHop                                     Intf/Tunnel
Lbl/SID (backup)                            Intf/Tunnel
NextHop (backup)                            Intf/Tunnel
-----
2001:db8:aaaa:102::/64                   SRV6      524289
-
      fe80::616:1ff:fe01:1-"int-PE-1-P-4"      1/1/c2/1:1000
2001:db8:aaaa:113::/64                   SRV6      524290
-
      fe80::616:1ff:fe01:1-"int-PE-1-P-4"      1/1/c2/1:1000
2001:db8:aaaa:114::/64                   SRV6      524291
-
      fe80::616:1ff:fe01:1-"int-PE-1-P-4"      1/1/c2/1:1000
2001:db8:aaaa:115::/64                   SRV6      524292
-
      fe80::616:1ff:fe01:1-"int-PE-1-P-4"      1/1/c2/1:1000
2001:db8:aaaa:101:78a6:e000::/128         SRV6      524294
-
      fe80::616:1ff:fe01:1-"int-PE-1-P-4"      1/1/c2/1:1000
-----
Total Entries : 5
=====
```

Bring up again the link between PE-1 and PE-2 to restore the initial topology:

```
*A:PE-1# configure router Base interface "int-PE-1-PE-2" no shutdown
```

The End.X function that corresponds with the interface “int-PE-1-PE-2” is re-instantiated, but with SID 2001:db8:aaaa:101:78a7:: and **Tunnel-ID** 524296.

Conclusion

To guard against the failure of the initial data path, LFA protection via an LFA backup path is possible for SRv6 data transport.

SRv6 Policy Support for Layer 2 and Layer 3 Services

This chapter provides information about SRv6 policy support for Layer 2 and Layer 3 services.

Topics in this chapter include:

- [Applicability](#)
- [Overview](#)
- [Configuration](#)
- [Conclusion](#)

Applicability

SRv6 policies for Layer 2 and Layer 3 services are supported in SR OS Release 22.7.R1 and later. The information and configuration in this chapter are based on SR OS Release 24.3.R2.

MPLS Segment Routing (SR) policies are described in the [BGP Signaled Segment Routing Policy](#) chapter.

Overview

SRv6 policies are Segment Routing (SR) policies with an IPv6 data plane. SRv6 policies consist of one or more lists of SRv6 segments, where each segment list represents a source route that can be used to enable traffic engineering through SRv6 networks. Each segment list contains a list of SRv6 SIDs comprising the top Segment Identifier (SID) and the further SIDs. Both 128-bit classic SIDs and 16-bit micro-segment SIDs can be used and it is possible to combine SRv6 segments derived from classic SRv6 and micro-segment SRv6 locators. The combination of classic and micro-segment SIDs can happen at the policy level and at the segment list level. A policy can have a segment list with only classic SIDs and another segment list with only micro-segment SIDs. A segment list can itself contain both classic and micro-segment SIDs. Different types of SIDs can be used, such as node SIDs (for classic SIDs: End SIDs; for micro-segment SIDs: uN SIDs) or adjacency SIDs (End.X SIDs; uA SIDs).

An SRv6 policy is identified through the { head-end, endpoint, color } tuple:

- The head-end is the node where the SRv6 policy is instantiated. The head-end steers the traffic into the policy with the SID stack. From the perspective of the head-end, the SRv6 policy can be identified using the { color, endpoint } tuple.
- The endpoint is the IPv6 destination of the SRv6 policy.
- The color is a numerical value that is used by the head-end to associate the SRv6 policy with a characteristic, such as low-latency or high-throughput. The color is a 32-bit transitive extended community that forms part of the BGP NLRI which is exported by the endpoint, and the head-end resolves the next hop to that endpoint via an SR policy with the corresponding color.

Static SRv6 policies are configured through CLI, using the **configure router segment-routing sr-policies static-policy <..> create** command with the **type srv6** option. Static SRv6 policies can be configured on the head-end (**head-end local**) and it is also possible to configure static SRv6 policies on a remote

node and signal these SRv6 policies using BGP to the head-end (**head-end <non-local IPv4 system address>**).

SRv6 policies are programmed in the IPv6 Tunnel Table Manager (TTMv6) and can be bound to BGP-based SRv6 services, such as IP VPN and EVPN services:

- EVPN VPWS
- EVPN VPLS
- EVPN IFL
- VPN IPv4
- VPN IPv6

Similar to SR policies with an MPLS data plane, the next-hop resolution is based on the color and on the comparison of the next hop with the SR policy endpoint. The head-end, endpoint, and color define a matching policy, but a matching policy can be an SR MPLS policy or an SRv6 policy. Therefore, the service also uses the data plane technology of the policy to select the tunnel type to resolve over. SRv6 services can only resolve over SRv6 tunnels and MPLS services cannot resolve over SRv6 tunnels. An SRv6 service cannot fall back to an MPLS tunnel type.

The **resolution** command controls the automatic binding of SRv6 services to SRv6 tunnels. The resolution options are as follows:

- **tunnel-table**

The tunnel-table command option resolves the route directly to a tunnel in TTMv6. The system tries to find an SRv6 policy with the same endpoint and color for BGP routes received with an SRv6 TLV and that contain an SRv6 service SID in the TTMv6. If no such SRv6 policy is found in the TTMv6, the resolution fails.

- **route-table**

The route-table command option is the default behavior which resolves the route to a shortest path SRv6 tunnel in the route table.

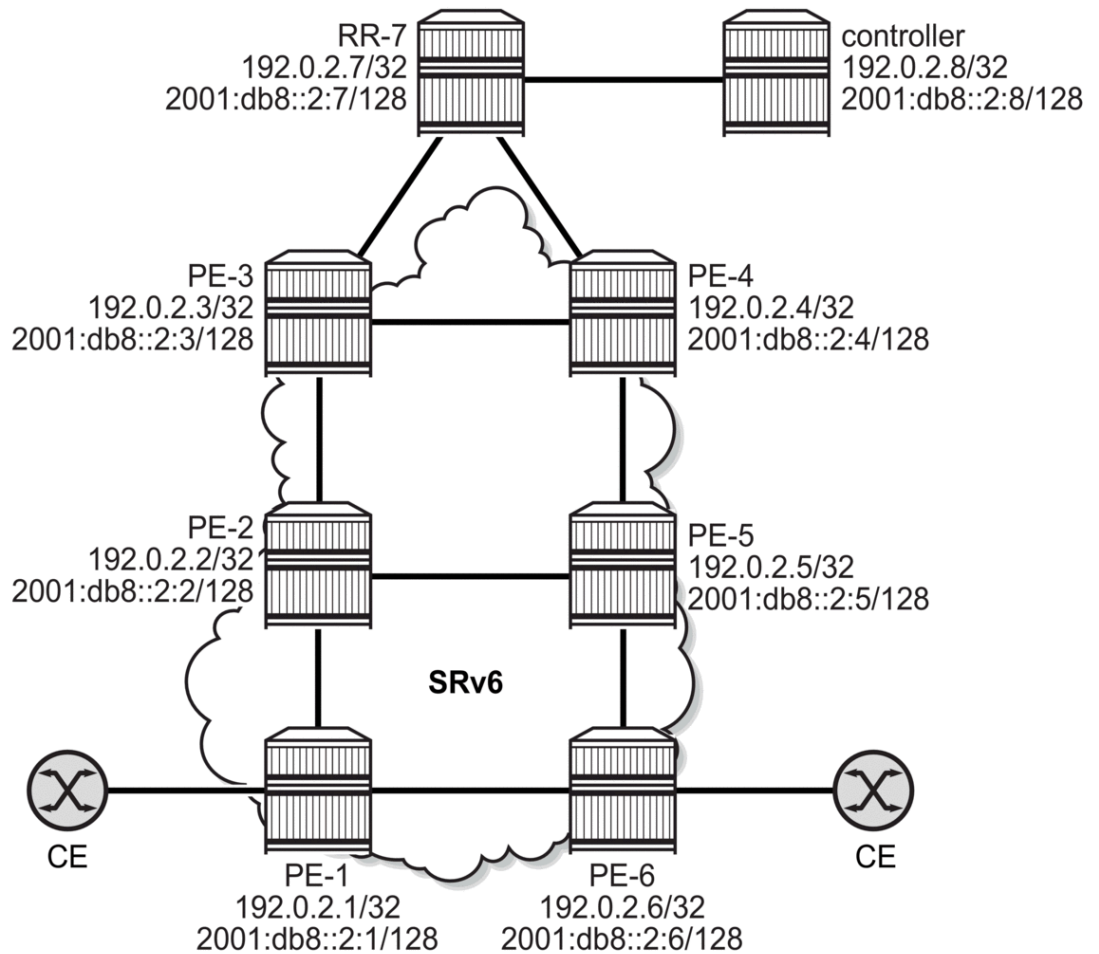
- **fallback-tunnel-to-route-table**

This fallback command option first tries to resolve the route directly to a tunnel in the TTMv6. If none is found, the system falls back to the shortest path SRv6 resolution in the route table.

Configuration

[Figure 61: Example topology with system IP addresses](#) shows the example topology with six PEs, one route reflector (RR), and an external controller. In this example topology, the controller is an SR OS node that advertises non-local SRv6 policies using BGP. The controller is only used in two of the following examples; in the other examples, static SRv6 policies are configured on PE-1. The CEs are connected to PE-1 and PE-6 when Layer 2 services are configured.

Figure 61: Example topology with system IP addresses



39570

The initial configuration includes:

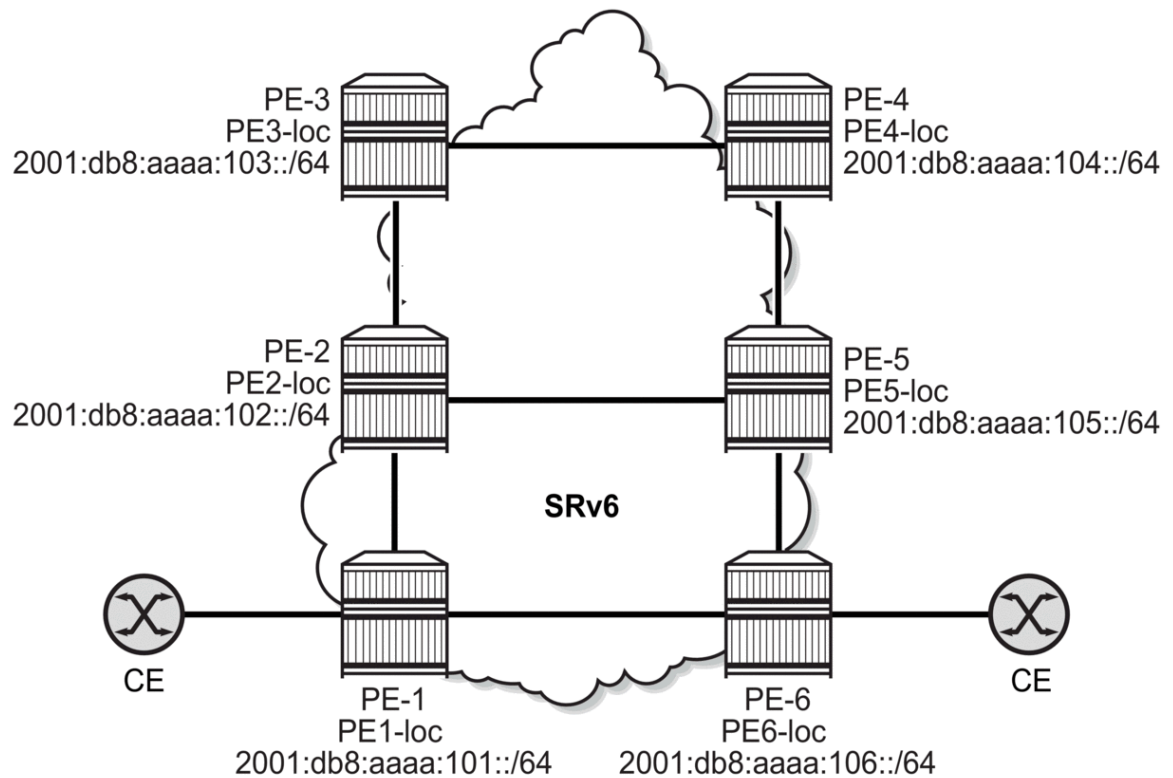
- cards, MDAs, ports
- router interfaces with IPv6 addresses – only the system interface is configured with both IPv4 and IPv6 addresses
- IS-IS on all router interfaces between the PEs and between PE-3, PE-4, and RR-7
- static routes between RR-7 and the controller
- SRv6 between the PEs, but not toward RR-7

SRv6 locators and BGP configuration

Classic SRv6 locators

Figure 62: Example topology with classic locator prefixes shows the classic SRv6 locators that are configured on the PEs.

Figure 62: Example topology with classic locator prefixes



39571

As an example, on PE-2, the classic locator "PE2-loc" is configured as follows:

```
# on PE-2:
configure
router Base
  mpls-labels
    reserved-label-block "sr-policy"
      start-label 20000 end-label 22999
  exit
exit
segment-routing
  segment-routing-v6
    origination-fpe 1
    source-address 2001:db8::2:2
    locator "PE2-loc"
```

```

        block-length 48
        termination-fpe 2
        prefix
            ip-prefix 2001:db8:aaaa:102::/64
        exit
        static-function
            label-block "sr-policy"
            max-entries 16
        exit
        no shutdown
    exit
    base-routing-instance
        locator "PE2-loc"
        function
            end-x auto-allocate srh-mode psp protection unprotected
            end 1
                srh-mode usp
            exit
            end-x 2 # static function value for adj with PE-1
                srh-mode psp # default
                protection unprotected
                interface "int-PE-2-PE-1"
            exit
            end-x 3 # static function value for adj with PE-3
                srh-mode psp # default
                protection unprotected
                interface "int-PE-2-PE-3"
            exit
        exit
    exit
exit
exit
exit
exit
isis 0
    segment-routing-v6
        locator "PE2-loc"
        level 1
        exit
        level 2
        exit
    exit
    no shutdown
exit

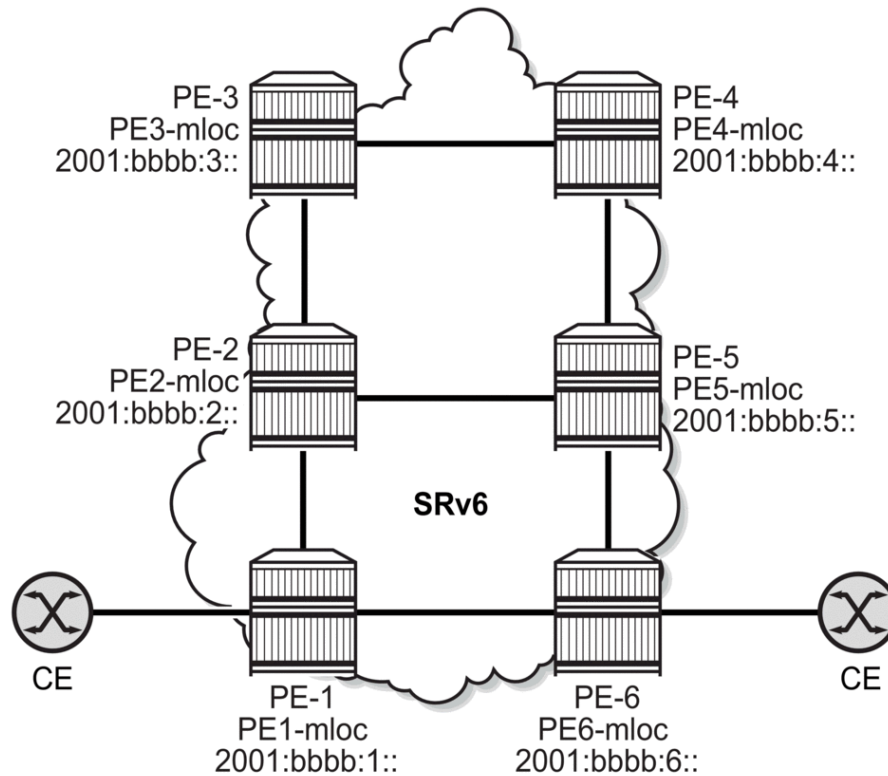
```

The configuration on the other PEs is similar.

Micro-segment SRv6 locators

Besides the classic SRv6 locators, the PEs are also configured with micro-segment SRv6 locators. [Figure 63: Example topology with micro-segment node SIDs](#) shows the micro-segment node SIDs configured on the PEs.

Figure 63: Example topology with micro-segment node SIDs



39572

On PE-2, the micro-segment locator "PE2-mloc" is configured as follows:

```
# on PE-2:
configure
router Base
  mpls-labels
    reserved-label-block "res-block1"
      start-label 19000 end-label 19999
    exit
  exit
segment-routing
  segment-routing-v6
    origination-fpe 1
    source-address 2001:db8::2:2
    micro-segment
      argument-length 16
      block "ms-block1"
        label-block "res-block1"
        termination-fpe 2
      prefix
        ip-prefix 2001:bbbb::/32
      exit
    static-function
      max-entries 16
    exit
  no shutdown
```



```

        exit
    exit
    micro-segment-locator "PE2-mloc"
        block "ms-block1"
        un
            srh-mode usp
            value 2
        exit
    no shutdown
    exit

base-routing-instance
    micro-segment-locator "PE2-mloc"
        function
            ua-auto-allocate srh-mode psp protection unprotected
            ua 1
                protection unprotected
                interface "int-PE-2-PE-1"
            exit
            ua 2
                protection unprotected
                interface "int-PE-2-PE-3"
            exit
            ua 3
                protection unprotected
                interface "int-PE-2-PE-5"
            exit
        exit
    exit
exit
exit
exit
exit
isis 0
    segment-routing-v6
        micro-segment-locator "PE2-mloc"
            level 1
            exit
            level 2
            exit
        exit
    no shutdown
    exit
exit
exit

```

The configuration on the other PEs is similar.

BGP configuration

The following examples are described in this section:

- [EVPN VPWS](#)
- [EVPN VPLS](#)
- [EVPN IFL](#)
- [IP VPN](#)

For the examples where EVPN VPWS and EVPN VPLS services are configured and static SRv6 policies are used, it is sufficient to configure BGP for the EVPN address family only, as follows:

```
# on PE-1, PE-2, PE-3, PE-4, PE-5, PE-6:
```

```
configure
  router Base
    autonomous-system 64500
    bgp
      vpn-apply-import
      vpn-apply-export
      enable-peer-tracking
      rapid-withdrawal
      split-horizon
      rapid-update evpn
      group "internal"
        family evpn
        peer-as 64500
        neighbor 2001:db8::2:7
      exit
    exit
  exit
```

For the EVPN VPWS and EVPN VPLS services where BGP-signaled SRv6 policies are used, BGP must also be enabled for the SRv6 policy address family, as follows:

```
# on PE-6:
configure
  router Base
    autonomous-system 64500
    bgp
      vpn-apply-import
      vpn-apply-export
      enable-peer-tracking
      rapid-withdrawal
      split-horizon
      rapid-update evpn
      group "internal"
        family evpn sr-policy-ipv6
        peer-as 64500
        neighbor 2001:db8::2:7
      exit
    exit
  exit
```

RR-7 also has a BGP session with the controller. The BGP configuration on RR-7 is as follows:

```
# on RR-7:
configure
  router Base
    autonomous-system 64500
    bgp
      vpn-apply-import
      vpn-apply-export
      enable-peer-tracking
      rapid-withdrawal
      split-horizon
      rapid-update evpn
      group "IBGP clients"
        cluster 192.0.2.7
        family evpn sr-policy-ipv6
        peer-as 64500
        neighbor 2001:db8::2:1
      exit
        neighbor 2001:db8::2:2
      exit
        neighbor 2001:db8::2:3
```

```

        exit
        neighbor 2001:db8::2:4
        exit
        neighbor 2001:db8::2:5
        exit
        neighbor 2001:db8::2:6
        exit
    exit
    group "SRv6-policies"
        family ipv6 sr-policy-ipv6
        peer-as 64500
        neighbor 2001:db8::2:8
        exit
    exit

```

The controller signals SRv6 policies using BGP. The **sr-policy-import** command instructs BGP to import statically-configured non-local segment routing policies from the segment routing database into the BGP RIB so that they can be advertised, as originated routes, toward BGP peers that support the **sr-policy-ipv6** address family. The BGP configuration on the controller is as follows:

```

# on controller:
configure
  router Base
    autonomous-system 64500
    bgp
      rapid-withdrawal
      sr-policy-import # import non-local static SR policies into RIB
      group "SR-policy"
        family ipv6 sr-policy-ipv6
        peer-as 64500
        neighbor 2001:db8::2:7
        exit
      exit
    exit
  exit

```

For the EVPN IFL services, the EVPN address family must be enabled and the IPv6 next hops must be advertised for the EVPN address family. In the case that an external controller is used, the SRv6 policy address family must also be enabled, as follows:

```

# on PE-1, PE-6:
configure
  router Base
    bgp
      vpn-apply-import
      vpn-apply-export
      enable-peer-tracking
      rapid-withdrawal
      split-horizon
      rapid-update evpn
      group "internal"
        family evpn sr-policy-ipv6
        advertise-ipv6-next-hops evpn
        peer-as 64500
        neighbor 2001:db8::2:7
        exit
      exit
    exit
  exit

```

For the IP VPN services, BGP must be configured for the VPN IPv4 and VPN IPv6 address families. If an external controller is used, the SRv6 policy address family must also be enabled. Extended next hop

encoding is enabled for IPv4 and VPN IPv4; IPv6 next hops must be advertised for IPv4, VPN IPv4, and VPN IPv6. The BGP configuration on PE-1 and PE-6 is as follows:

```
# on PE-1, PE-6:
configure
  router Base
    bgp
      vpn-apply-import
      vpn-apply-export
      enable-peer-tracking
      rapid-withdrawal
      split-horizon
      rapid-update evpn
      group "internal"
        family vpn-ipv4 vpn-ipv6 sr-policy-ipv6
        extended-nh-encoding ipv4 vpn-ipv4
        advertise-ipv6-next-hops ipv4 vpn-ipv4 vpn-ipv6
        peer-as 64500
        neighbor 2001:db8::2:7
      exit
    exit
```

EVPN VPWS

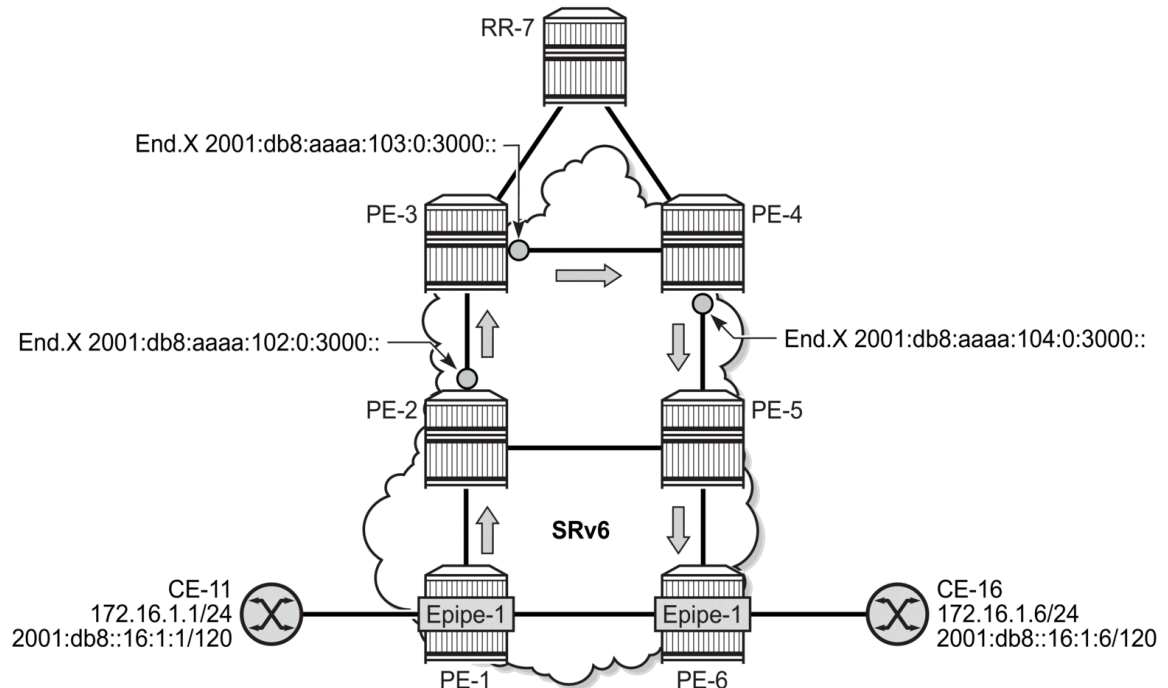
The following examples are described in this section:

- [EVPN VPWS with static SRv6 policy on head-end PE-1](#)
- [EVPN VPWS with BGP-signaled SRv6 policy on head-end PE-6](#)

EVPN VPWS with static SRv6 policy on head-end PE-1

[Figure 64: EVPN VPWS using SRv6 policy with color 100 from PE-1 to PE-6](#) shows the segments in the segment list of the static SRv6 policy on head-end PE-1. The SIDs are the End.X SID for the interface "int-PE-2-PE-3" on PE-2, the End.X SID for the interface "int-PE-3-PE-4" on PE-3, and the End.X SID for the interface "int-PE-4-PE-5" on PE-4.

Figure 64: EVPN VPWS using SRv6 policy with color 100 from PE-1 to PE-6



39573

Static SRv6 policy on PE-1

SRv6 policies are configured with the following command:

```
*A:PE-1>conf>router>segment-routing>sr-policies# static-policy
- static-policy <name> [create]
- no static-policy <name>

<name>          : [64 chars max]
<create>       : keyword

[no] binding-sid - A Segment ID value that opaquely represents an SR policy to upstream
                  routers
[no] color       - Determines the set of traffic flows that would be steered by this
                  policy
[no] distinguisher - A unique value to distinguish a policy
[no] endpoint    - Destination IP address of the source-routed path
[no] head-end    - The head end address for this static policy
[no] maintenance-po* - Apply a named maintenance policy to the static SR Policy
                  preference - The preference value of this static policy
[no] segment-list + The segment list of a static policy
[no] segment-routin* + Segment routing v6 configuration
[no] shutdown    - Administratively disable or enable the static policy
type          - Configure SR policy type
```

The type of SR policy is SRv6 and the endpoint must be an IPv6 address. In the following example, the static SRv6 policy is configured on head-end PE-1 itself; therefore, the head-end is set to **local** and the binding SID cannot be configured as an IPv6 address for a local SRv6 policy:

```
*A:PE-1>conf>router>segment-routing>sr-policies>policy>srv6>binding-sid#
                                     ip-address 2001:db8:aaaa:101:0:5000::
MAJOR: SRDB #1001 Not permitted - not allowed for Local srv6-policy
```

The only way to configure this binding SID 2001:db8:aaaa:101:0:5000:: in the static SRv6 policy on the local head-end is by specifying a function value from the static range, in this example **function-value 5**, as follows:

```
*A:PE-1>conf>router>segment-routing>sr-policies>policy>srv6>binding-sid#
      locator "PE1-loc" function end-b6-encaps-red function-value 5
```

When no function value is specified, the binding SID is automatically allocated from the dynamic range using the SRv6 locator prefix "PE1-loc" associated with the Base router.

When a classic SRv6 locator is used, the only supported binding SID behavior is End.B6.Encaps.Red, which is End.B6.Encaps with reduced Segment Routing Header (SRH). The reduced SRH does not contain the first SID. This first SID is only placed in the destination address of the pushed IPv6 header. The End.B6.Encaps endpoint behavior is bound to an SRv6 policy with encapsulation and the binding SID is instantiated by SRv6, as follows:

```
*A:PE-1>conf>router>segment-routing>sr-policies>policy>srv6>binding-sid$
                                     locator "PE1-loc" function
- locator <name> function {end-b6-encaps-red} [function-value <[1..1048575]>]
- no locator

<name>                               : [64 chars max]
```

In a similar way, when micro-segment SRv6 locators are used, the keyword to configure reduced encapsulation for the micro-binding SID is **end-b6-encaps-red-next-csid**; see further.

The following static SRv6 policy is configured on head-end PE-1:

```
# on head-end PE-1:
configure
  router Base
    segment-routing
      sr-policies
        static-policy "color-100-PE-1-PE-6" create
          type srv6
          color 100
          endpoint 2001:db8::2:6
          head-end local
          segment-routing-v6
            binding-sid 1 create
              locator "PE1-loc" function end-b6-encaps-red
            exit
          exit
        segment-list 1 create
          segment 1 create
            srv6-sid 2001:db8:aaaa:102:0:3000:: # End.X int-PE-2-PE-3
          exit
          segment 2 create
            srv6-sid 2001:db8:aaaa:103:0:3000:: # End.X int-PE-3-PE-4
          exit
          segment 3 create
```

```

        srv6-sid 2001:db8:aaaa:104:0:3000:: # End.X int-PE-4-PE-5
        exit
        no shutdown # enable segment list 1
    exit
    no shutdown # enable static SRv6 policy "color-100-PE-1-PE-6"
exit
no shutdown # enable SR policies context
    
```

The SRv6 SIDs in segment list 1 are the following adjacency SIDs:

- 2001:db8:aaaa:102:0:3000:: for the End.X of interface "int-PE-2-PE-3" on PE-2
- 2001:db8:aaaa:103:0:3000:: for the End.X of interface "int-PE-3-PE-4" on PE-3
- 2001:db8:aaaa:104:0:3000:: for the End.X of interface "int-PE-4-PE-5" on PE-4

The following list of adjacency SIDs on PE-2 shows that SID 2001:db8:aaaa:102:0:3000:: corresponds to the End.X SID of "int-PE-2-PE-3":

```

*A:PE-2# show router segment-routing-v6 base-routing-instance end-x
=====
Segment Routing v6 Base Routing Instance
=====
Locator
Type          Function SID          Status/InstId
SRH-mode      Oper Func Interface Protection
-----
PE2-loc
End.X         2          2001:db8:aaaa:102:0:2000::  ok
PSP           2          int-PE-2-PE-1             Unprotected
End.X        3          2001:db8:aaaa:102:0:3000::  ok
PSP           3          int-PE-2-PE-3             Unprotected
-----
Auto-allocated End.X:
-----
End.X         17         2001:db8:aaaa:102:1:1000::  0
PSP           0          int-PE-2-PE-5             Unprotected
ISIS Level:  L2 Mac Address: 02:1e:01:01:00:15 Nbr Sys Id: 1920.0000.2005
-----
Legend: * - System allocated
    
```

The following shows the summary of the SR policies with only one static SRv6 policy configured and active on PE-1:

```

*A:PE-1# show router segment-routing sr-policies summary
=====
SR-Policies Summary
=====
Admin Status      : Up
Ingress Stats     : N/A
Egress Stats      : N/A
Resv Label Blk Name:
TTM Preference    : 14
SR-MPLS BSID Allocated: 0          SRV6 BSID Allocated : 1
Static Local Policies : 1          Active Static Lcl Pol : 1
Static Non Local Pol : 0
BGP Policies      : 0          Active BGP Policies : 0
=====
    
```

The following command on PE-1 shows the static SR policy with color 100, head-end 0.0.0.0 for local, and endpoint 2001:db8::2:6. The binding SID 2001:db8:aaaa:101:1:2000:: is automatically allocated using the locator prefix "PE1-loc" associated with the Base router.

```
*A:PE-1# show router segment-routing sr-policies static
=====
SR-Policies Path
=====
-----
Type           : srv6
Active         : Yes                Owner           : static
Operational    : Yes
Color         : 100
Head          : 0.0.0.0             Endpoint Addr   : 2001:db8::2:6
RD            : 0                   Preference      : 100
SRv6 BSID 1   : 2001:db8:aaaa:101:1:2000::
TunnelId      : 917506              Age             : 163
Origin ASN    : 0                   Origin          : 0.0.0.0
NumReEval     : 0                   LastReEvalReason: none
NumActPathChange: 0                 Last Change     : 05/22/2024 08:59:48
Maintenance Plcy:
Ret Path BFD SID:

Path Segment Lists:
Segment-List   : 1                   Weight          : 1
Num Segments   : 3                   Last Change     : 05/22/2024 07:55:53
  1 SRv6 SID   : 2001:db8:aaaa:102:0:3000:: State : resolved-up
  2 SRv6 SID   : 2001:db8:aaaa:103:0:3000:: State : N/A
  3 SRv6 SID   : 2001:db8:aaaa:104:0:3000:: State : N/A
=====
```

The SRv6 policy tunnel on PE-1 with tunnel ID 917506 and preference 14 has color 100 and the SRv6 SIDs are 2001:db8:aaaa:102:0:3000::, 2001:db8:aaaa:103:0:3000::, and 2001:db8:aaaa:104:0:3000::, as follows:

```
*A:PE-1# show router tunnel-table ipv6 protocol srv6-policy detail
=====
Tunnel Table (Router: Base)
=====
Destination      : 2001:db8::2:6/128
NextHop          : fpe_1.a
NextHop Weight   : 1
Tunnel Flags     : has-color
Age              : 00h02m43s          Color           : 100
CBF Classes     : (Not Specified)
Owner            : srv6-pol          Encap            : SRV6
Tunnel ID       : 917506             Preference      : 14
Tunnel SRV6 SID : 2001:db8:aaaa:102:0:3000:: Tunnel Metric   : 0
                  : 2001:db8:aaaa:103:0:3000::
                  : 2001:db8:aaaa:104:0:3000::
Tunnel MTU       : -                  Max Label Stack : 3
-----
Number of tunnel-table entries : 1
Number of tunnel-table entries with LFA : 0
=====
```


The FP tunnel table on PE-1 shows the SRv6 policy, including the SID list, as follows:

```
*A:PE-1# show router fp-tunnel-table 1 ipv6 protocol srv6-policy

=====
IPv6 Tunnel Table Display

Legend:
Label stack is ordered from bottom-most to top-most
B - FRR Backup
=====
Destination                                Protocol      Tunnel-ID
Lbl/SID
  NextHop                                    Intf/Tunnel
Lbl/SID (backup)
  NextHop (backup)
-----
2001:db8::2:6/128                          SRV6-Policy  -
2001:db8:aaaa:104:0:3000::
2001:db8:aaaa:103:0:3000::
2001:db8:aaaa:102:0:3000::
  0.140.1.1                                  pxc-1.b:1
-----
Total Entries : 1
=====
```

EVPN VPWS Epipe-1 on PE-1 and PE-6

On PE-1, EVPN VPWS "Epipe-1" uses SRv6 transport and is configured with **resolution fallback-tunnel-to-route-table**, as follows:

```
# on PE-1:
configure
  service
    epipe 1 name "Epipe-1" customer 1 create
      segment-routing-v6 1 create
        locator "PE1-loc"
          function
            end-dx2
          exit
        exit
      exit
    exit
  bgp
    route-target export target:64500:1 import target:64500:1
  exit
  bgp-evpn
    local-attachment-circuit PE1 create
      eth-tag 1
    exit
    remote-attachment-circuit PE6 create
      eth-tag 6
    exit
  evi 1
    segment-routing-v6 bgp 1 srv6-instance 1 default-locator "PE1-loc" create
      source-address 2001:db8::2:1
      route-next-hop 2001:db8::2:1
      resolution fallback-tunnel-to-route-table
      no shutdown
    exit
```

```

exit
sap 1/1/c10/1:1 create
  description "SAP to CE-11"
  no shutdown
exit
no shutdown

```

The following command shows the BGP EVPN SRv6 information for Epipe-1 on PE-1:

```
*A:PE-1# show service id "Epipe-1" bgp-evpn segment-routing-v6
```

```

=====
BGP EVPN Segment Routing v6 Information
=====
Admin State           : Enabled           Bgp Instance   : 1
Srv6 Instance        : 1
Default Locator      : PE1-loc

Oper Group           : (none)
Default Route Tag    : 0x0
Source Address       : 2001:db8::2:1
ECMP                 : 1
Force Vlan VC Fwd    : Disabled
Next Hop Type        : explicit
Next Hop Address     : 2001:db8::2:1
Evi 3-byte Auto-RT  : disabled
Route Resolution     : fallback-tunnel-to-route-table
Force QinQ VC Fwd   : none
MH Mode              : network
Domain-Id            : None
=====

```

The static SRv6 policy is identified by the color 100 (color:00:100), head-end 192.0.2.1 (system IPv4 address of PE-1), and endpoint 2001:db8::2:6 (system IPv6 address of PE-6). PE-6 exports color 100 in an export policy to match the color in the SRv6 policy on PE-1, as follows:

```

# on PE-6
configure
  router Base
    policy-options
      begin
        community "vsi-1"
          members "target:64500:1"
        exit
        community "color-100"
          members "color:00:100"
        exit
        policy-statement "epipe-1-export-c100"
          default-action accept
          community add "vsi-1" "color-100"
        exit
      exit
    exit
  commit
exit
exit
service
  epipe 1 name "Epipe-1" customer 1 create
  segment-routing-v6 1 create
    locator "PE6-loc"
    function
      end-dx2
    exit

```

```

        exit
    exit
    bgp
        route-target import target:64500:1
        vsi-export "epipe-1-export-cl00"
    exit
    bgp-evpn
        local-attachment-circuit PE6 create
            eth-tag 6
        exit
        remote-attachment-circuit PE1 create
            eth-tag 1
        exit
    evi 1
        segment-routing-v6 bgp 1 srv6-instance 1 default-locator "PE6-loc" create
            source-address 2001:db8::2:6
            route-next-hop 2001:db8::2:6
            no shutdown
        exit
    exit
    sap 1/1/cl0/1:1 create
        description "SAP to CE-16"
        no shutdown
    exit
    no shutdown
exit

```

The following EVPN auto-discovery route received on PE-1 includes the community color:00:100 (color 100):

```

*A:PE-1# show router bgp routes evpn auto-disc rd 192.0.2.6:1 detail
=====
BGP Router ID:192.0.2.1      AS:64500      Local AS:64500
=====
Legend -
Status codes  : u - used, s - suppressed, h - history, d - decayed, * - valid
                l - leaked, x - stale, > - best, b - backup, p - purge
Origin codes  : i - IGP, e - EGP, ? - incomplete
=====
BGP EVPN Auto-Disc Routes
=====
Original Attributes

Network       : n/a
Nexthop       : 2001:db8::2:6
Path Id       : None
From          : 2001:db8::2:7
Res. Nexthop  : fe80::24:1ff:fe01:1
Local Pref.   : 100
Aggregator AS : None
Atomic Aggr.  : Not Atomic
AIGP Metric   : None
Connector     : None
Community     : target:64500:1 color:00:100
                l2-attribute:MTU: 1514 F: 0 C: 0 P: 0 B: 0
Cluster       : 192.0.2.3
Originator Id : 192.0.2.6      Peer Router Id : 192.0.2.7
Origin        : IGP
Flags         : Used Valid Best
Route Source  : Internal
AS-Path       : No As-Path
EVPN type     : AUTO-DISC

```

```

ESI          : ESI-0
Tag          : 6
Route Dist.  : 192.0.2.6:1
MPLS Label   : 504288
Route Tag    : 0
Neighbor-AS  : n/a
DB Orig Val  : N/A                Final Orig Val : N/A
Source Class : 0                  Dest Class    : 0
Add Paths Send : Default
Last Modified : 00h01m15s
SRv6 TLV Type : SRv6 L2 Service TLV (6)
SRv6 SubTLV   : SRv6 SID Information (1)
Sid           : 2001:db8:aaaa:106::
Full Sid      : 2001:db8:aaaa:106:7b1e::
Behavior      : End.DX2 (21)
SRv6 SubSubTLV : SRv6 SID Structure (1)
Loc-Block-Len : 48                Loc-Node-Len  : 16
Func-Len      : 20                Arg-Len       : 0
Tpose-Len     : 20                Tpose-offset  : 64
---snip---
    
```

On PE-1, the BGP next hop for EVPN routes to 2001:db8::2:6 is resolved using the SRv6 policy with tunnel ID 917506, as follows:

```

*A:PE-1# show router bgp next-hop evpn 2001:db8::2:6 detail
=====
BGP Router ID:192.0.2.1      AS:64500      Local AS:64500
=====
BGP VPN Next Hop
=====
VPN Next Hop      : 2001:db8::2:6
Autobind          : gre/rtm srv6-policy
Labels            : --
User-labels       : 1
Admin-tag-policy  : --
Strict-tunnel-tagging : N
Color           : 100
UPA Trigger Next Hop : --
Locator           : 2001:db8:aaaa:106::/64
Created           : 00h02m26s
Last-modified     : 00h02m26s
-----
Resolving Prefix  : 2001:db8::2:6/128
Preference        : 14                Metric           : 0
Reference Count   : 1                  Owner          : SRV6-POLICY
Fib Programmed    : Y
Resolved Next Hop: 0.140.1.1
Egress Label      : n/a                TunnelId       : 917506
Locator State     : Resolved
-----
Next Hops : 1
=====
    
```

Resolution fallback

While PE-6 exports color 100, the corresponding SRv6 policy tunnel on PE-1 is available, as follows:

```
*A:PE-1# show router tunnel-table ipv6 protocol srv6-policy
=====
IPv6 Tunnel Table (Router: Base)
=====
Destination                               Owner      Encap TunnelId  Pref
NextHop                                   Color
-----
2001:db8::2:6/128                         srv6-pol  SRV6  917506  14
  fpe_1.a                                  100      0
-----
Flags: B = BGP or MPLS backup hop available
      L = Loop-Free Alternate (LFA) hop available
      E = Inactive best-external BGP route
      k = RIB-API or Forwarding Policy backup hop
=====
```

```
*A:PE-1# show router route-table ipv6 protocol srv6-policy
=====
IPv6 Route Table (Router: Base)
=====
Dest Prefix[Flags]                        Type      Proto      Age          Pref
Next Hop[Interface Name]                  Metric
-----
2001:db8:aaaa:101:1:2000::/128           Local    SRV6-Pol*  00h05m27s  14
  2001:db8::2:6 (tunneled:SRV6-Policy:917506)  1
-----
No. of Routes: 1
Flags: n = Number of times nexthop is repeated
      B = BGP backup route available
      L = LFA nexthop available
      S = Sticky ECMP requested
=====
* indicates that the corresponding row element may have been truncated.
```

When PE-6 does not export color 100, there is no match with the SRv6 policy on PE-1, and PE-1 uses the route table instead of the tunnel table. The export policy on PE-6 is removed in Epipe-1, as follows:

```
# on PE-6:
configure
  service
    epipe "Epipe-1"
      bgp 1
        no vsi-export
        route-target export target:64500:1 import target:64500:1
```

On PE-1, the BGP next hop for the EVPN routes to 2001:db8::2:6 is not resolved to an SRv6 policy tunnel anymore; the route table is used instead, as follows:

```
*A:PE-1# show router bgp next-hop 2001:db8::2:6 evpn service-id 1
=====
BGP Router ID:192.0.2.1      AS:64500      Local AS:64500
=====
```

```

=====
BGP VPN Next Hop
=====
VPN Next Hop                               Owner
Autobind                                   FibProg Reason
Labels (User-labels)                       FlexAlgo Metric
Admin-tag-policy (strict-tunnel-tagging)    Last Mod.
-----
2001:db8::2:6                               GRE/RTM
  gre/rtm srv6-policy                         Y
  -- (1)                                       --      10
  -- (N)                                       --     00h01m09s
-----
Next Hops : 1
=====

```

When the SRv6 resolution is reconfigured to the tunnel table only instead of the fallback, the next hop cannot be resolved anymore, as follows:

```

# on PE-1:
configure
  service
    epipe "Epipe-1"
      bgp-evpn
        segment-routing-v6 bgp 1
          resolution tunnel-table

```

The BGP next hop cannot be resolved and the reason is a color mismatch, as follows:

```

*A:PE-1# show router bgp next-hop 2001:db8::2:6 evpn service-id 1
=====
BGP Router ID:192.0.2.1      AS:64500      Local AS:64500
=====

BGP VPN Next Hop
=====
VPN Next Hop                               Owner
Autobind                                   FibProg Reason
Labels (User-labels)                       FlexAlgo Metric
Admin-tag-policy (strict-tunnel-tagging)    Last Mod.
-----
2001:db8::2:6                               --
  srv6-policy                               N      ColorMismatch
  -- (1)                                       --
  -- (N)                                       --     00h00m06s
-----
Next Hops : 1
=====

```

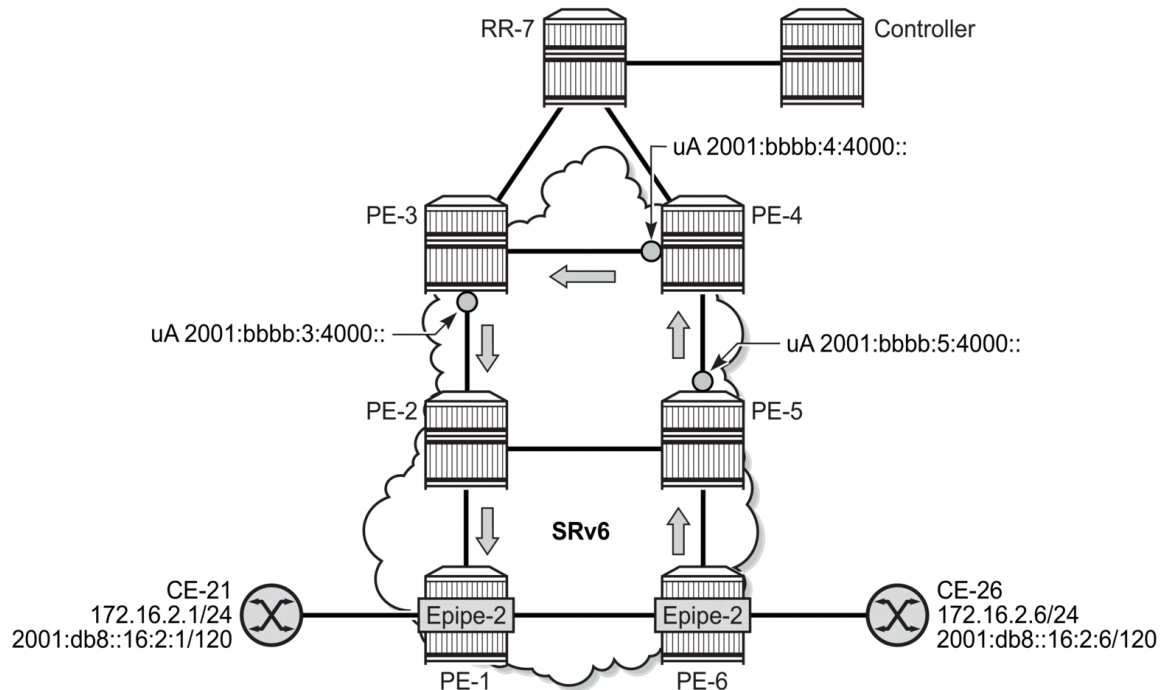
When PE-6 exports color 100 again, the BGP next hop can be resolved using the SRv6 policy.

EVPN VPWS with BGP-signaled SRv6 policy on head-end PE-6

Figure 65: EVPN VPWS using SRv6 policy with color 200 from PE-6 to PE-1 shows the segments in the segment list of the BGP-signaled SRv6 policy on head-end PE-6. This SRv6 policy is configured on the controller, imported in the BGP RIB, and advertised using BGP. The SIDs in the segment list of the SRv6 policy are the micro-segment adjacency SID (uA SID) for the interface "int-PE-5-PE-4" on PE-5, the uA SID for the interface "int-PE-4-PE-3" on PE-4, and the uA SID for the interface "int-PE-3-PE-2" on PE-3.

These micro-SIDs are configured with behavior and structure information. This information must only be configured when the SRv6 SID is a micro-SID. In fact, the allowed behaviors which describe the SRv6 SID are only micro-segment behaviors. By configuring this information, the user indirectly provides the head-end with necessary information to apply a compression algorithm to the received micro-SIDs. The algorithm is designed to reduce the Segment Routing Header (SRH) size. Details on what behavior and structure values to configure based on the SRv6 SID, and on how the algorithm processes these are described in the 7750 SR and 7950 XRS Segment Routing and PCE User Guide.

Figure 65: EVPN VPWS using SRv6 policy with color 200 from PE-6 to PE-1



39574

Static SRv6 policy on the controller

The following SRv6 policy with micro-segment SIDs is configured on the controller:

```
# on controller:
configure
  router Base
    segment-routing
      sr-policies
        static-policy "color200-PE-6-PE-1-u" create
          type srv6
          color 200
          distinguisher 200006001 # unique value
          endpoint 2001:db8::2:1
          head-end 192.0.2.6
          segment-routing-v6
            binding-sid 1 create
              ip-address 2001:bbbb:6:4005:: # available IPv6 address
            exit
          exit
        exit
      exit
    exit
  exit

```

```

        exit
        segment-list 1 create
        segment 1 create
            srv6-sid 2001:bbbb:5:4000:: # uA for "int-PE-5-PE-4"
            behavior-and-structure behavior end-x-next-csid block-length 32
node-length 16 function-length 16
        exit
        segment 2 create
            srv6-sid 2001:bbbb:4:4000:: # uA for "int-PE-4-PE-3"
            behavior-and-structure behavior end-x-next-csid block-length 32
node-length 16 function-length 16
        exit
        segment 3 create
            srv6-sid 2001:bbbb:3:4000:: # uA for "int-PE-3-PE-2"
            behavior-and-structure behavior end-x-next-csid block-length 32
node-length 16 function-length 16
        exit
        no shutdown
    exit
    no shutdown
exit
no shutdown
exit
no shutdown
exit
no shutdown
exit

```

The distinguisher must be unique and is used as a differentiator. If the head-end PE receives two policies with the same color and endpoint, the path with the lowest distinguisher value is chosen.

The head-end is the IPv4 system address of PE-6; the endpoint is the IPv6 system address of PE-1.

The binding SID is an available IPv6 address from the static function entries on head-end PE-6.



Note:

At the configuration point, the micro-binding SID must be configured in the <block><uN><uB6> format, because the head-end only accepts this format. The head-end then programs two route entries for each local SID: <block><uN><uB6>::/block-length+32 and <block><uB6>::/block-length+16, both pointing to the SRv6 policy.

The controller advertises this SRv6 policy using BGP. The head-end PE-6 must have the SR policies context enabled, as follows:

```

# on head-end PE-6:
configure
    router Base
        segment-routing
            sr-policies
                no shutdown # enable context for (BGP-signaled) SRv6 policies

```

EVPN VPWS Epipe-2 on PE-1 and PE-6

PE-1 exports color 200 (color:00:200) in Epipe-2, as follows:

```

# on PE-1:
configure
    router Base
        policy-options
            begin
                community "vsi-2"

```



```

        members "target:64500:2"
    exit
    community "color-200"
        members "color:00:200"
    exit
    policy-statement "epipe-2-export-c200"
        default-action accept
        community add "vsi-2" "color-200"
    exit
    exit
    commit
    exit
    service
        epipe 2 name "Epipe-2" customer 1 create
        segment-routing-v6 1 create
        micro-segment-locator "PE1-mloc"
            function
                udx2 5 # static value (SRLB, label-block)
            exit
        exit
        bgp 1
            route-target import target:64500:2
            vsi-export "epipe-2-export-c200"
        exit
        bgp-evpn
            local-attachment-circuit PE1 bgp 1 create
            eth-tag 1
        exit
            remote-attachment-circuit PE6 bgp 1 create
            eth-tag 6
        exit
        evi 2
            segment-routing-v6 bgp 1 srv6-instance 1 default-locator "PE1-mloc" create
            source-address 2001:db8::2:1
            route-next-hop 2001:db8::2:1
            no shutdown
        exit
    exit
    sap 1/1/c10/1:2 create
        description "SAP to CE-21"
        no shutdown
    exit
    no shutdown

```

On PE-6, Epipe-2 is configured as follows:

```

# on head-end PE-6:
configure
    service
        epipe 2 name "Epipe-2" customer 1 create
        segment-routing-v6 1 create
        micro-segment-locator "PE6-mloc"
            function
                udx2 5 # static value (SRLB, label-block)
            exit
        exit
    exit
    bgp 1
        route-target export target:64500:2 import target:64500:2
    exit
    bgp-evpn

```

```

local-attachment-circuit PE6 bgp 1 create
  eth-tag 6
exit
remote-attachment-circuit PE1 bgp 1 create
  eth-tag 1
exit
evi 2
segment-routing-v6 bgp 1 srv6-instance 1 default-locator "PE6-mloc" create
  source-address 2001:db8::2:6
  route-next-hop 2001:db8::2:6
  resolution fallback-tunnel-to-route-table
  no shutdown
exit
exit
sap 1/1/c10/1:2 create
  description "SAP to CE-26"
  no shutdown
exit
no shutdown

```

Verification

Head-end PE-6 receives one BGP-signaled SRv6 policy:

```

*A:PE-6# show router bgp summary all
=====
BGP Summary
=====
Legend : D - Dynamic Neighbor
=====
Neighbor
Description
ServiceId          AS PktRcvd InQ  Up/Down  State|Rcv/Act/Sent (Addr Family)
                   PktSent OutQ
-----
2001:db8::2:7
Def. Inst          64500    18   0 00h04m45s 2/2/2 (Evpn)
                   17     0           1/1/0 (SrPolicyIPv6)
-----

```

The following command shows the BGP-signaled SRv6 policy on head-end PE-6. The binding SID value is 2001:bbb:4005:: and is derived from the binding SID 2001:bbb:6:4005:: that was configured in the static SRv6 policy on the controller.

```

*A:PE-6# show router segment-routing sr-policies bgp
=====
SR-Policies Path
=====
-----
Type           : srv6
Active         : Yes
Operational    : Yes
Color          : 200
Head           : 0.0.0.0
RD             : 200006001
SrV6 BSID 1  : 2001:bbb:4005::
TunnelId      : 917506
Owner          : bgp
Endpoint Addr  : 2001:db8::2:1
Preference     : 100
Age           : 82

```

```

Origin ASN      : 64500          Origin      : 2001:db8::2:8
NumReEval      : 0              LastReEvalReason: none
NumActPathChange: 0            Last Change   : 06/12/2024 07:54:57
Maintenance Plcy:
Ret Path BFD SID:

Path Segment Lists:
Segment-List    : 1              Weight      : 1
Num Segments    : 3              Last Change  : 06/12/2024 07:19:06
1 SRv6 SID      : 2001:bbbb:5:4000:: State : resolved-up
  Behavior & Structure
  Behavior      : 52              Block Length : 32
  Node Length   : 16              Function Length : 16
2 SRv6 SID      : 2001:bbbb:4:4000:: State : N/A
  Behavior & Structure
  Behavior      : 52              Block Length : 32
  Node Length   : 16              Function Length : 16
3 SRv6 SID      : 2001:bbbb:3:4000:: State : N/A
  Behavior & Structure
  Behavior      : 52              Block Length : 32
  Node Length   : 16              Function Length : 16
=====

```

On PE-6, the SID 2001:bbbb:6:4005:: has the value of the binding SID that was configured in the static SRv6 policy on the controller, as follows:

```

*A:PE-6# show router segment-routing-v6 micro-segment-local-sid

=====
Micro Segment Routing v6 Local SIDs
=====
SID                                     Type      Function
Micro Segment Locator
Context
-----
2001:bbbb:6::                           uN        6
  PE6-mloc
  None
2001:bbbb:6:4000::                       uA        16384
  PE6-mloc
  Base
2001:bbbb:6:4004::                       uDX2     16388
  PE6-mloc
  SvcId: 2 Name: Epipe-2
2001:bbbb:6:4005::                       End.b6.encaps* 16389
  PE6-mloc
  None
2001:bbbb:6:4010::                       uA        16400
  PE6-mloc
  None
-----
SIDs : 5
=====
* indicates that the corresponding row element may have been truncated.

```

The following command shows the details of the SRv6 policy tunnel on head-end PE-6:

```

*A:PE-6# show router tunnel-table ipv6 protocol srv6-policy detail

=====

```

```
Tunnel Table (Router: Base)
=====
Destination      : 2001:db8::2:1/128
NextHop          : fpe_1.a
NextHop Weight   : 1
Tunnel Flags     : has-color
Age              : 00h01m22s          Color          : 200
CBF Classes     : (Not Specified)
Owner           : srv6-pol          Encap           : SRV6
Tunnel ID      : 917506           Preference      : 14
Tunnel SRV6 SID : 2001:bbbb:5:4000:4:4 Tunnel Metric   : 0
                  000:3:4000
Tunnel MTU       : -                Max Label Stack : 3
-----
Number of tunnel-table entries      : 1
Number of tunnel-table entries with LFA : 0
=====
```

The tunnel SRv6 SID in the preceding output shows that the micro-segment SIDs were compressed. The three micro-SIDs (2001:bbbb:5:4000::, 2001:bbbb:4:4000::, and 2001:bbbb:3:4000::) were compressed by the head-end to form a single container: 2001:bbbb:5:4000:4:4000:3:4000. This compression was, in part, possible because the three micro-SIDs belong to the same SID block.

The SRv6 policy tunnel to 2001:db8::2:1 with color 200 has tunnel ID 917506 on head-end PE-6. The following IPv6 routes use the SRv6 policy tunnel with ID 917506:

```
*A:PE-6# show router route-table ipv6 protocol srv6-policy
=====
IPv6 Route Table (Router: Base)
=====
Dest Prefix[Flags]                Type   Proto   Age      Pref
  Next Hop[Interface Name]                Metric
-----
2001:bbbb:6:4005::/64             Local  SRV6-Pol* 00h03m35s 14
   2001:db8::2:1 (tunneled:SRV6-Policy:917506)      1
2001:bbbb:4005::/48              Local  SRV6-Pol* 00h03m35s 14
   2001:db8::2:1 (tunneled:SRV6-Policy:917506)      1
-----
No. of Routes: 2
Flags: n = Number of times nexthop is repeated
      B = BGP backup route available
      L = LFA nexthop available
      S = Sticky ECMP requested
=====
* indicates that the corresponding row element may have been truncated.
```

The following command shows that the BGP next hop 2001:db8::2:1 is resolved to an SRv6 policy with color 200:

```
*A:PE-6# show router bgp next-hop evpn 2001:db8::2:1 detail
=====
BGP Router ID:192.0.2.6          AS:64500          Local AS:64500
=====
BGP VPN Next Hop
-----
---snip--- ## VPN next hop for Epipe-1 (no SRv6 policy; only GRE/RTM)
-----
VPN Next Hop          : 2001:db8::2:1
```

```

Autobind      : gre/rtm srv6-policy
Labels       : --
User-labels  : 1
Admin-tag-policy : --
Strict-tunnel-tagging : N
Color      : 200
UPA Trigger Next Hop : --
Locator      : 2001:bbbb:1::/48
Created      : 00h02m52s
Last-modified : 00h02m09s
-----
Resolving Prefix : 2001:db8::2:1/128
Preference      : 14
Reference Count : 1
Owner       : SRV6-POLICY
Fib Programmed : Y
Resolved Next Hop: 0.140.1.1
Egress Label    : n/a
Locator State   : Resolved
TunnelId       : 917506
-----
Next Hops : 2
=====

```

The following command on PE-6 shows the SRv6 destinations in Epipe-2, where 2001:bbbb:1:4004:: is the uDX2 SID on endpoint PE-1:

```

*A:PE-6# show service id "Epipe-2" segment-routing-v6 destinations
=====
TEP, SID (Instance 1)
=====
TEP Address          Segment Id
-----
2001:db8::2:1      2001:bbbb:1:4004::
-----
Number of TEP, SID: 1
-----
Segment Routing v6 Ethernet Segment Dest (Instance 1)
=====
Eth SegId           Num. Macs      Last Update
-----
No Matching Entries
=====

```

EVPN VPLS

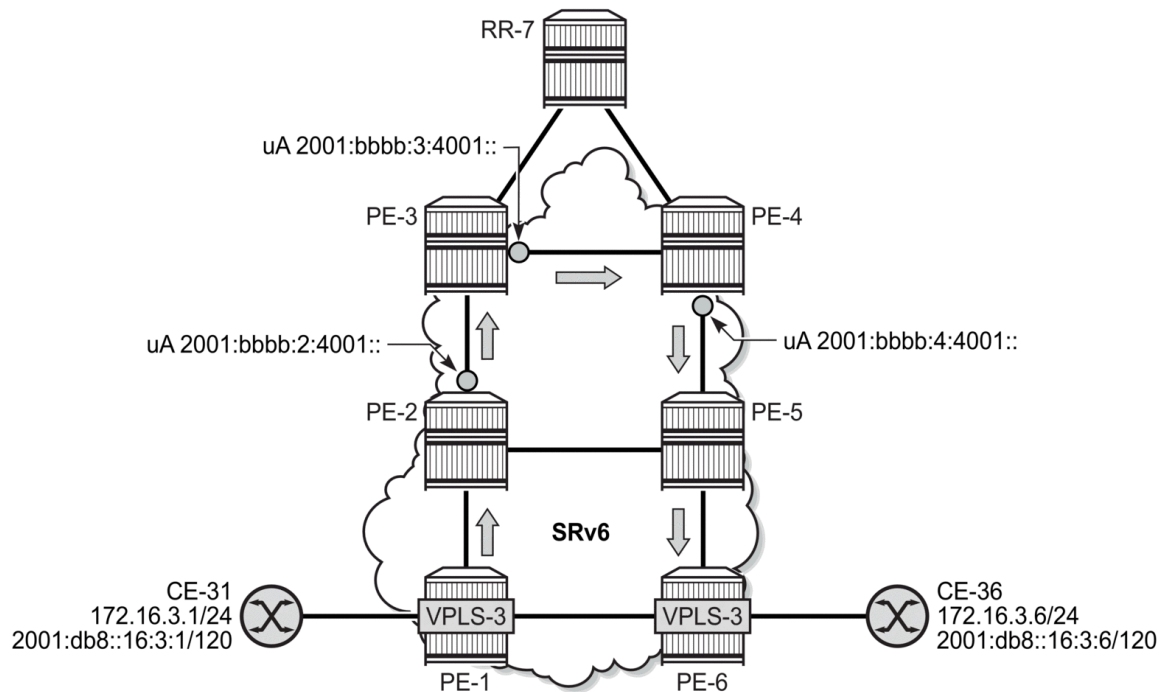
The following examples are described in this section:

- [EVPN VPLS with static SRv6 policy on head-end PE-1](#)
- [EVPN VPLS with BGP-signaled SRv6 policy on head-end PE-6](#)

EVPN VPLS with static SRv6 policy on head-end PE-1

Figure 66: EVPN VPLS using SRv6 policy with color 300 from PE-1 to PE-6 shows the uA SIDs in the segment list of a static SRv6 with color 300 on head-end PE-1.

Figure 66: EVPN VPLS using SRv6 policy with color 300 from PE-1 to PE-6



39576

Static SRv6 policy

On head-end PE-1, a static SRv6 policy is configured with color 300 and endpoint 2001:db8::2:6, as follows:

```
# on head-end PE-1:
configure
  router Base
    segment-routing
      sr-policies
        static-policy "color-300-PE-1-PE-6-u" create
          type srv6
          color 300
          endpoint 2001:db8::2:6
          head-end local
          segment-routing-v6
            binding-sid 1 create
              micro-segment-locator "PE1-mloc" function end-b6-encaps-red-next-
csid
          exit
        exit
      exit
```

```

        segment-list 1 create
            segment 1 create
                srv6-sid 2001:bbbb:2:4001:: # uA int-PE-2-PE-3
                behavior-and-structure behavior end-x-next-csid block-length 32
node-length 16 function-length 16
            exit
            segment 2 create
                srv6-sid 2001:bbbb:3:4001:: # uA int-PE-3-PE-4
                behavior-and-structure behavior end-x-next-csid block-length 32
node-length 16 function-length 16
            exit
            segment 3 create
                srv6-sid 2001:bbbb:4:4001:: # uA int-PE-4-PE-5
                behavior-and-structure behavior end-x-next-csid block-length 32
node-length 16 function-length 16
            exit
        no shutdown
    exit
no shutdown
exit
no shutdown
exit
no shutdown
exit
exit
exit
exit

```

EVPN VPLS

On PE-1, EVPN VPLS "VPLS-3" is configured as follows:

```

# on PE-1:
configure
    service
        vpls 3 name "VPLS-3" customer 1 create
            segment-routing-v6 1 create
                micro-segment-locator "PE1-mloc"
                    function
                        udt2u
                        udt2m
                    exit
            exit
        exit
    bgp
        route-target export target:64500:3 import target:64500:3
    exit
    bgp-evpn
        evi 3
            segment-routing-v6 bgp 1 srv6-instance 1 default-locator "PE1-mloc" create
                source-address 2001:db8::2:1
                route-next-hop 2001:db8::2:1
                resolution fallback-tunnel-to-route-table
                no shutdown
            exit
        exit
    stp
        shutdown
    exit
    sap 1/1/c10/1:3 create
        description "SAP to CE-31"
        no shutdown
    exit
no shutdown

```

```
exit
```

PE-6 exports color 300 which matches the color in the static SRv6 policy "color-300-PE-1-PE-6-u" on PE-1, as follows:

```
# on PE-6:
configure
  router Base
    policy-options
      begin
        community "vsi-3"
          members "target:64500:3"
        exit
        community "color-300"
          members "color:00:300"
        exit
        policy-statement "vpls-3-export-c300"
          default-action accept
          community add "vsi-3" "color-300"
        exit
      exit
    commit
  exit
exit
service
  vpls 3 name "VPLS-3" customer 1 create
  segment-routing-v6 1 create
    micro-segment-locator "PE6-mloc"
    function
      udt2u
      udt2m
    exit
  exit
  exit
  bgp
    route-target import target:64500:3
    vsi-export "vpls-3-export-c300"
  exit
  bgp-evpn
    evi 3
    segment-routing-v6 bgp 1 srv6-instance 1 default-locator "PE6-mloc" create
      source-address 2001:db8::2:6
      route-next-hop 2001:db8::2:6
      no shutdown
    exit
  exit
  stp
    shutdown
  exit
  sap 1/1/c10/1:3 create
    description "SAP to CE-36"
    no shutdown
  exit
  no shutdown
```


Verification

PE-1 receives the following IMET route from PE-6. The color:00:300 community matches the color 300 in the static SRv6 policy.

```
*A:PE-1# show router bgp routes evpn incl-mcast rd 192.0.2.6:3 detail
=====
BGP Router ID:192.0.2.1      AS:64500      Local AS:64500
=====
Legend -
Status codes  : u - used, s - suppressed, h - history, d - decayed, * - valid
                l - leaked, x - stale, > - best, b - backup, p - purge
Origin codes  : i - IGP, e - EGP, ? - incomplete
=====
BGP EVPN Inclusive-Mcast Routes
=====
Original Attributes

Network       : n/a
NextHop       : 2001:db8::2:6
Path Id       : None
From          : 2001:db8::2:7
Res. NextHop  : fe80::24:1ff:fe01:1
Local Pref.   : 100
Aggregator AS : None
Atomic Aggr.  : Not Atomic
AIGP Metric   : None
Connector     : None
Community     : target:64500:3 color:00:300
Cluster       : 192.0.2.7
Originator Id : 192.0.2.6
Origin        : IGP
Flags         : Used Valid Best
Route Source  : Internal
AS-Path       : No As-Path
EVPN type     : INCL-MCAST
Tag           : 0
Originator IP : 2001:db8::2:6
Route Dist.   : 192.0.2.6:3
Route Tag     : 0
Neighbor-AS   : n/a
DB Orig Val   : N/A
Source Class  : 0
Add Paths Send : Default
Last Modified : 00h00m35s
SRv6 TLV Type : SRv6 L2 Service TLV (6)
SRv6 SubTLV   : SRv6 SID Information (1)
Sid           : 2001:bbbb:6::
Full Sid      : 2001:bbbb:6:4012::
Behavior      : End.uDT2M (68)
SRv6 SubSubTLV : SRv6 SID Structure (1)
Loc-Block-Len : 32
Func-Len      : 16
Tpose-Len     : 16
Interface Name : int-PE-1-PE-6
Aggregator     : None
MED            : None
IGP Cost       : 10
Peer Router Id : 192.0.2.7
Final Orig Val : N/A
Dest Class     : 0
Loc-Node-Len  : 16
Arg-Len       : 16
Tpose-offset  : 48
-----
PMSI Tunnel Attributes :
Tunnel-type   : Ingress Replication
Flags         : Type: RNVE(0) BM: 0 U: 0 Leaf: not required
MPLS Label    : 4198912
Tunnel-Endpoint: 2001:db8::2:6
-----
```

---snip---

When traffic has been sent between CE-31 and CE-36, the forwarding database (FDB) on PE-1 is as follows:

```
*A:PE-1# show service id "VPLS-3" fdb detail

=====
Forwarding Database, Service 3
=====
ServId      MAC                Source-Identifier   Type      Last Change
  Transport:Tnl-Id
-----
3           00:00:5e:00:53:31  sap:1/1/c10/1:3    L/90      06/12/24 08:01:44
3           00:00:5e:00:53:36  srv6-1:            Evpn      06/12/24 08:01:51
                2001:db8::2:6
                2001:bbbb:6:4011::
-----
No. of MAC Entries: 2
-----
Legend:L=Learned 0=0am P=Protected-MAC C=Conditional S=Static Lf=Leaf T=Trusted
=====
```

MAC address 00:00:5e:00:53:36 from CE-36 can be reached through an SRv6 policy tunnel. The following IPv6 tunnel table shows that the SRv6 policy tunnel to 2001:db8::2:6/128 with color 300 has ID 917508:

```
*A:PE-1# show router tunnel-table ipv6 protocol srv6-policy

=====
IPv6 Tunnel Table (Router: Base)
=====
Destination      Owner      Encap TunnelId  Pref
NextHop          Color
-----
2001:db8::2:6/128  srv6-pol  SRV6  917506  14
  fpe_1.a          100      0
2001:db8::2:6/128 srv6-pol SRV6 917508 14
  fpe_1.a      300    0
-----
Flags: B = BGP or MPLS backup hop available
       L = Loop-Free Alternate (LFA) hop available
       E = Inactive best-external BGP route
       k = RIB-API or Forwarding Policy backup hop
=====
```

The following command shows the micro-segment local SIDs. Besides the node SID uN and the adjacency SID uA, SIDs for different services are listed. SID 2001:bbbb:1:4004:: with uDX2 function applies to EVPN VPWS Epipe-2; SID 2001:bbbb:1:4011:: with uDT2U function and SID 2001:bbbb:1:4012:: with uDT2M function apply to EVPN VPLS-3. The End.B6.Encaps.Red SID 2001:bbbb:1:43e8:: is the binding SID for the SRv6 policy "color-300-PE-1-PE-6-u" which is used in VPLS-3.

```
*A:PE-1# show router segment-routing-v6 micro-segment-local-sid

=====
Micro Segment Routing v6 Local SIDs
=====
SID                Type      Function
  Micro Segment Locator
  Context
-----
```

```

2001:bbbb:1::                               uN          1
  PE1-mloc
  None
2001:bbbb:1:4000::                           uA          16384
  PE1-mloc
  Base
2001:bbbb:1:4004::                           uDX2        16388
  PE1-mloc
  SvcId: 2 Name: Epipe-2
2001:bbbb:1:4010::                           uA          16400
  PE1-mloc
  None
2001:bbbb:1:4011::                           uDT2U       16401
  PE1-mloc
  SvcId: 3 Name: VPLS-3
2001:bbbb:1:4012::                           uDT2M       16402
  PE1-mloc
  SvcId: 3 Name: VPLS-3
2001:bbbb:1:43e8::                           End.b6.encaps* 17384
  PE1-mloc
  None
-----
SIDs : 7
-----
=====
* indicates that the corresponding row element may have been truncated.

```

The IPv6 route table shows two routes that use the SRv6 policy tunnel with tunnel ID 917508:

```

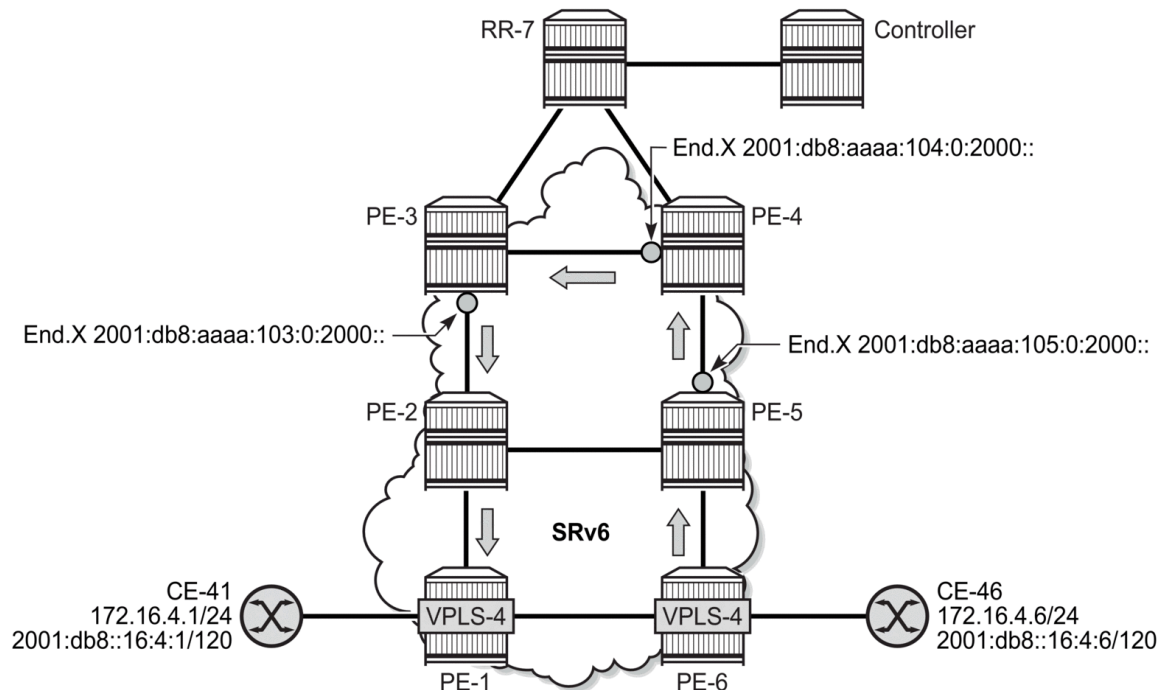
*A:PE-1# show router route-table ipv6 protocol srv6-policy
=====
IPv6 Route Table (Router: Base)
=====
Dest Prefix[Flags]                               Type  Proto  Age      Pref
  Next Hop[Interface Name]                       Metric
-----
2001:db8:aaaa:101:1:2000::/128                   Local  SRV6-Pol* 00h31m36s 14
  2001:db8::2:6 (tunneled:SRV6-Policy:917506)    1
2001:bbbb:1:43e8::/64                            Local  SRV6-Pol* 00h04m41s 14
  2001:db8::2:6 (tunneled:SRV6-Policy:917508)    1
2001:bbbb:43e8::/48                              Local  SRV6-Pol* 00h04m41s 14
  2001:db8::2:6 (tunneled:SRV6-Policy:917508)    1
-----
No. of Routes: 3
Flags: n = Number of times nexthop is repeated
      B = BGP backup route available
      L = LFA nexthop available
      S = Sticky ECMP requested
=====
* indicates that the corresponding row element may have been truncated.

```

EVPN VPLS with BGP-signaled SRv6 policy on head-end PE-6

Figure 67: EVPN VPLS using SRv6 policy with color 400 from PE-6 to PE-1 shows the End.X SIDs in the segment list of a BGP-signaled SRv6 policy on head-end PE-6. This SRv6 policy is configured on the controller, imported in the BGP RIB, and advertised as an SRv6 policy route in BGP.

Figure 67: EVPN VPLS using SRv6 policy with color 400 from PE-6 to PE-1



39575

BGP-signaled SRv6 policy

The following SRv6 policy with head-end 192.0.2.6 is configured on the controller and is advertised as an SRv6 policy:

```
# on controller:
configure
  router Base
    segment-routing
      sr-policies
        static-policy "color-400-PE-6-PE-1" create
          type srv6
          color 400
          distinguisher 400006001
          endpoint 2001:db8::2:1
          head-end 192.0.2.6
          segment-routing-v6
            binding-sid 1 create
              ip-address 2001:db8:aaaa:106:0:9000::
            exit
          exit
        segment-list 1 create
          segment 1 create
            srv6-sid 2001:db8:aaaa:105:0:2000:: # "int-PE-5-PE-4"
          exit
          segment 2 create
            srv6-sid 2001:db8:aaaa:104:0:2000:: # "int-PE-4-PE-3"
          exit
        exit
      exit
    exit
  exit

```

```

        segment 3 create
            srv6-sid 2001:db8:aaaa:103:0:2000:: # "int-PE-3-PE-2"
        exit
        no shutdown
    exit
    no shutdown
exit
no shutdown

```

EVPN VPLS on PE-1 and PE-6

The EVPN VPLS "VPLS-4" is configured as follows. PE-1 exports color 400 which matches the color in the policy "color-400-PE-6-PE-1" on head-end PE-6:

```

# on PE-1:
configure
  router Base
    policy-options
      begin
        community "vsi-4"
          members "target:64500:4"
        exit
        community "color-400"
          members "color:00:400"
        exit
        policy-statement "vpls-4-export-c400"
          default-action accept
            community add "vsi-4" "color-400"
          exit
        exit
      commit
    exit
  exit
  service
    vpls 4 name "VPLS-4" customer 1 create
      segment-routing-v6 1 create
        locator "PE1-loc"
          function
            end-dt2u
            end-dt2m
          exit
        exit
      exit
    exit
    bgp
      route-target import target:64500:4
      vsi-export "vpls-4-export-c400"
    exit
    bgp-evpn
      evi 4
        segment-routing-v6 bgp 1 srv6-instance 1 default-locator "PE1-loc" create
          source-address 2001:db8::2:1
          route-next-hop 2001:db8::2:1
          no shutdown
        exit
      exit
    exit
    stp
      shutdown
    exit
    sap 1/1/c10/1:4 create
      description "SAP to CE-41"
      no shutdown

```

```
exit
no shutdown
```

On head-end PE-6, only the route target is exported, not the color. The EVPN VPLS "VPLS-4" is configured with SRv6 resolution fallback from the tunnel table to the route table, as follows:

```
# on PE-6:
configure
  service
    vpls 4 name "VPLS-4" customer 1 create
      segment-routing-v6 1 create
        locator "PE6-loc"
          function
            end-dt2u
            end-dt2m
          exit
        exit
      exit
    exit
  bgp
    route-target export target:64500:4 import target:64500:4
  exit
  bgp-evpn
    evi 4
      segment-routing-v6 bgp 1 srv6-instance 1 default-locator "PE6-loc" create
        source-address 2001:db8::2:6
        route-next-hop 2001:db8::2:6
        resolution fallback-tunnel-to-route-table
        no shutdown
      exit
    exit
  stp
    shutdown
  exit
  sap 1/1/c10/1:4 create
    description "SAP to CE-46"
    no shutdown
  exit
no shutdown
```

Verification

On head-end PE-6, the BGP-signaled SRv6 with color 400 is as follows:

```
*A:PE-6# show router segment-routing sr-policies bgp color 400

=====
SR-Policies Path
=====
-----
Type           : srv6
Active         : Yes
Operational    : Yes
Color         : 400
Head          : 0.0.0.0
RD            : 400006001
SRv6 BSID 1   : 2001:db8:aaaa:106:0:9000::
TunnelId      : 917507
Origin ASN    : 64500
NumReEval     : 0
NumActPathChange: 0
Owner          : bgp
Endpoint Addr : 2001:db8::2:1
Preference    : 100
Age           : 73
Origin        : 2001:db8::2:8
LastReEvalReason: none
Last Change   : 05/22/2024 09:26:22
```

```
Maintenance Plcy:
Ret Path BFD SID:

Path Segment Lists:
Segment-List      : 1                Weight      : 1
Num Segments     : 3                Last Change  : 05/22/2024 07:56:35
  1 SRv6 SID     : 2001:db8:aaaa:105:0:2000:: State      : resolved-up
  2 SRv6 SID     : 2001:db8:aaaa:104:0:2000:: State      : N/A
  3 SRv6 SID     : 2001:db8:aaaa:103:0:2000:: State      : N/A

=====
```

The second SRv6 policy tunnel in the IPv6 tunnel table has color 400:

```
*A:PE-6# show router tunnel-table ipv6 protocol srv6-policy

=====
IPv6 Tunnel Table (Router: Base)
=====
Destination                               Owner      Encap TunnelId Pref
Nexthop                                   Color
-----
2001:db8::2:1/128                         srv6-pol  SRV6  917506  14
  fpe_1.a                                   200      0
2001:db8::2:1/128                         srv6-pol SRV6  917507 14
  fpe_1.a                                   400    0
-----
Flags: B = BGP or MPLS backup hop available
      L = Loop-Free Alternate (LFA) hop available
      E = Inactive best-external BGP route
      k = RIB-API or Forwarding Policy backup hop
=====
```

The BGP next hop for EVPN routes to endpoint 2001:db8::2:1 is resolved using the SRv6 policy tunnel with color 400:

```
*A:PE-6# show router bgp next-hop evpn 2001:db8::2:1 detail

=====
BGP Router ID:192.0.2.6      AS:64500      Local AS:64500
=====

BGP VPN Next Hop
-----
---snip---

-----
VPN Next Hop      : 2001:db8::2:1
Autobind          : gre/rtm srv6-policy
Labels            : --
User-labels       : 1
Admin-tag-policy  : --
Strict-tunnel-tagging : N
Color           : 400
UPA Trigger Next Hop : --
Locator           : 2001:db8:aaaa:101::/64
Created           : 00h03m06s
Last-modified     : 00h02m30s
-----
Resolving Prefix  : 2001:db8::2:1/128
Preference        : 14                Metric           : 0
```

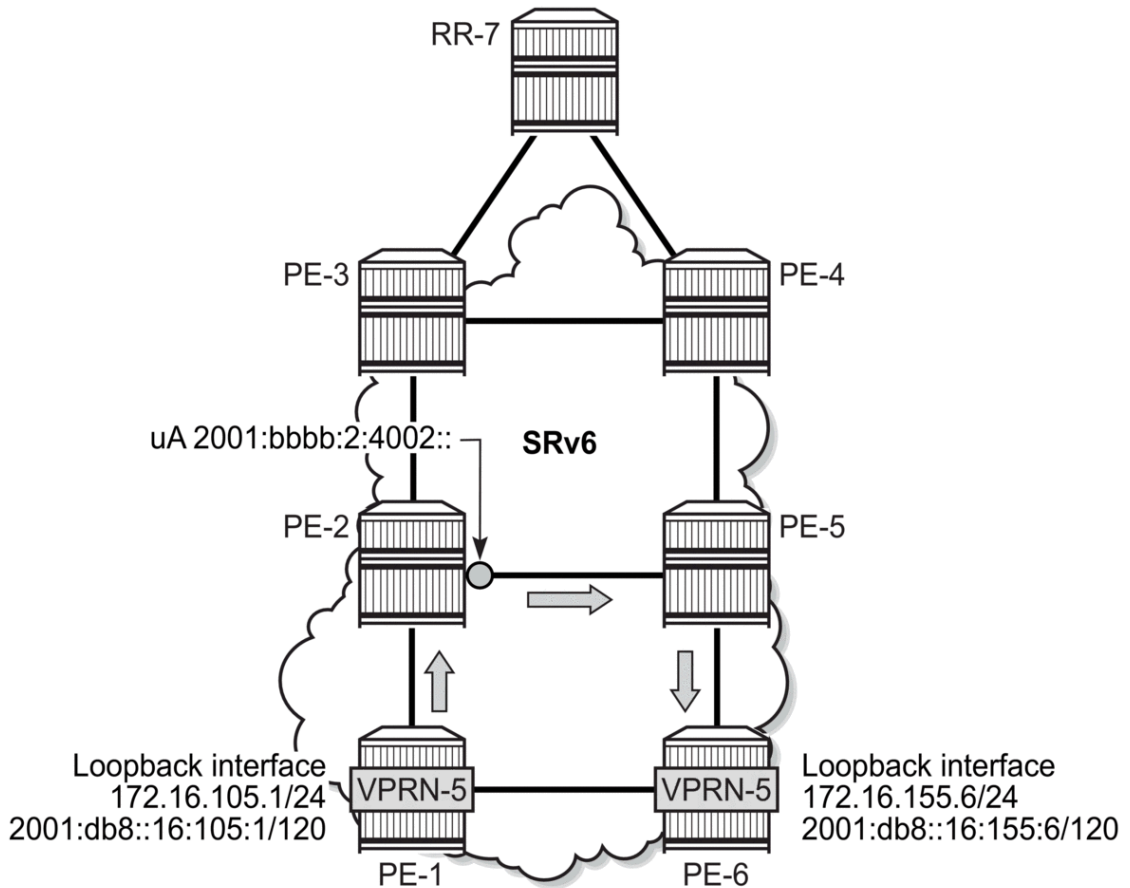
```

Reference Count : 2
Fib Programmed : Y
Resolved Next Hop: 0.140.1.1
Egress Label : n/a
Locator State : Resolved
-----
Owner : SRV6-POLICY
TunnelId : 917507
-----
Next Hops : 4
=====
    
```

EVPN IFL

Figure 68: EVPN IFL using SRv6 policy with color 500 from PE-1 to PE-6 shows the micro-segment adjacency SID (uA) for the interface "int-PE-2-PE-5" on PE-2, which is the only segment in the segment list of a static SRv6 policy that is configured on head-end PE-1.

Figure 68: EVPN IFL using SRv6 policy with color 500 from PE-1 to PE-6



39577

Static SRv6 policy on PE-1

On head-end PE-1, the SRv6 policy with color 500 is configured as follows:

```
# on PE-1:
configure
  router Base
    segment-routing
      sr-policies
        static-policy "color-500-PE-1-PE-6-u" create
          type srv6
          color 500
          endpoint 2001:db8::2:6
          head-end local
          segment-routing-v6
            binding-sid 1 create
              micro-segment-locator "PE1-mloc" function end-b6-encaps-red-next-
csid
          exit
        exit
      segment-list 1 create
        segment 1 create
          srv6-sid 2001:bbbb:2:4002:: # uA for "int-PE-2-PE-5"
          behavior-and-structure behavior end-x-next-csid block-length 32
node-length 16 function-length 16
        exit
      no shutdown
    exit
  no shutdown
exit
no shutdown
```

VPRN-5 with EVPN IFL

VPRN-5 is configured with BGP EVPN, as follows:

```
# on PE-1:
configure
  service
    vprn 5 name "VPRN-5" customer 1 create
      autonomous-system 64496
      interface "lo1" create
        address 172.16.105.1/24
        ipv6
          address 2001:db8::105:1/120
        exit
      loopback
    exit
  segment-routing-v6 1 create
    micro-segment-locator "PE1-mloc"
      function
        udt46
      exit
    exit
  exit
  bgp-evpn
    segment-routing-v6 bgp 1
      resolution fallback-tunnel-to-route-table
      route-distinguisher 192.0.2.1:5
```

```

        source-address 2001:db8::2:1
        srv6-instance 1 default-locator "PE1-mloc"
        vrf-target target:64500:5
        no shutdown
    exit
exit
no shutdown

```

Endpoint PE-6 exports color 500. The configuration on PE-6 is as follows:

```

# on PE-6:
configure
  router Base
    policy-options
      begin
        community "vrf-5"
          members "target:64500:5"
        exit
        community "color-500"
          members "color:00:500"
        exit
        policy-statement "vrf-5-export-c500"
          default-action accept
          community add "vrf-5" "color-500"
        exit
      exit
    policy-statement "vrf-5-import"
      entry 10
        from
          community "vrf-5"
        exit
        action accept
      exit
    exit
  exit
  commit
exit
service
  vprn 5 name "VPRN-5" customer 1 create
  autonomous-system 64497
  interface "lo1" create
    address 172.16.155.6/24
    ipv6
      address 2001:db8::155:6/120
    exit
    loopback
  exit
  segment-routing-v6 1 create
    micro-segment-locator "PE6-mloc"
    function
      udt46
    exit
  exit
  exit
  bgp-evpn
    segment-routing-v6 bgp 1
      route-distinguisher 192.0.2.1:5
      source-address 2001:db8::2:6
      srv6-instance 1 default-locator "PE6-mloc"
      vrf-import "vrf-5-import"
      vrf-export "vrf-5-export-c500"
      no shutdown

```

```

exit
exit
no shutdown
    
```

The BGP configuration in the Base router is modified to ensure that IPv6 next hops are advertised for EVPN routes, as described in the [BGP configuration](#) section.

Verification

PE-1 receives the EVPN IP prefix 172.16.155.0/24 and the EVPN IPv6 prefix 2001:db8::155:0/120 from PE-6, as follows:

```

*A:PE-1# show router bgp routes evpn ip-prefix
=====
BGP Router ID:192.0.2.1      AS:64500      Local AS:64500
=====
Legend -
Status codes  : u - used, s - suppressed, h - history, d - decayed, * - valid
                l - leaked, x - stale, > - best, b - backup, p - purge
Origin codes  : i - IGP, e - EGP, ? - incomplete

=====
BGP EVPN IP-Prefix Routes
=====
Flag  Route Dist.      Prefix
      Tag              Gw Address
                        NextHop
                        Label
                        ESI
-----
u*>i  192.0.2.1:5        172.16.155.0/24
      0                 00:00:00:00:00:00
                        2001:db8::2:6
                        16403
                        ESI-0

-----
Routes : 1
=====

*A:PE-1# show router bgp routes evpn ipv6-prefix
=====
BGP Router ID:192.0.2.1      AS:64500      Local AS:64500
=====
Legend -
Status codes  : u - used, s - suppressed, h - history, d - decayed, * - valid
                l - leaked, x - stale, > - best, b - backup, p - purge
Origin codes  : i - IGP, e - EGP, ? - incomplete

=====
BGP EVPN IPv6-Prefix Routes
=====
Flag  Route Dist.      Prefix
      Tag              Gw Address
                        NextHop
                        Label
                        ESI
-----
u*>i  192.0.2.1:5        2001:db8::155:0/120
      0                 00:00:00:00:00:00
    
```

```

                2001:db8::2:6
                16403
                ESI-0

-----
Routes : 1
=====

```

In this example, multiple services use different SRv6 policies and the list of micro-segment local SIDs for VPRN-5 shows multiple SRv6 SIDs for the services. On head-end PE-1, the list of micro-segment local SIDs shows the uDT46 function and the End.B6.Encaps.Red function for two different SRv6 policy tunnels: SID 2001:bbbb:1:43e9:: corresponds to the SRv6 policy tunnel for color 500; SID 2001:bbbb:1:43e8:: corresponds to the SRv6 policy tunnel for color 300 and is not used for VPRN-5.

```

*A:PE-1# show router segment-routing-v6 micro-segment-local-sid context "VPRN-5"

=====
Micro Segment Routing v6 Local SIDs
=====
SID                                     Type          Function
Micro Segment Locator
Context
-----
2001:bbbb:1:4013::                     uDT46         16403
  PE1-mloc
  SvcId: 5 Name: VPRN-5
2001:bbbb:1:43e8::                     End.b6.encaps* 17384
  PE1-mloc
  None
2001:bbbb:1:43e9::                   End.b6.encaps* 17385
  PE1-mloc
  None
-----
SIDs : 3
-----
* indicates that the corresponding row element may have been truncated.

```

If services use different SRv6 policies, the next hop command for the service shows multiple SRv6 policies for the services, but the traffic flow uses the right SRv6 policy with the corresponding color.

```

*A:PE-1# show router bgp next-hop 2001:db8::2:6 evpn detail

=====
BGP Router ID:192.0.2.1      AS:64500      Local AS:64500
=====

BGP VPN Next Hop
-----
---snip---
-----
VPN Next Hop      : 2001:db8::2:6
Autobind          : gre/rtm srv6-policy
Labels            : --
User-labels       : 1
Admin-tag-policy  : --
Strict-tunnel-tagging : N
Color             : 100
UPA Trigger Next Hop : --
Locator           : 2001:db8:aaaa:106::/64

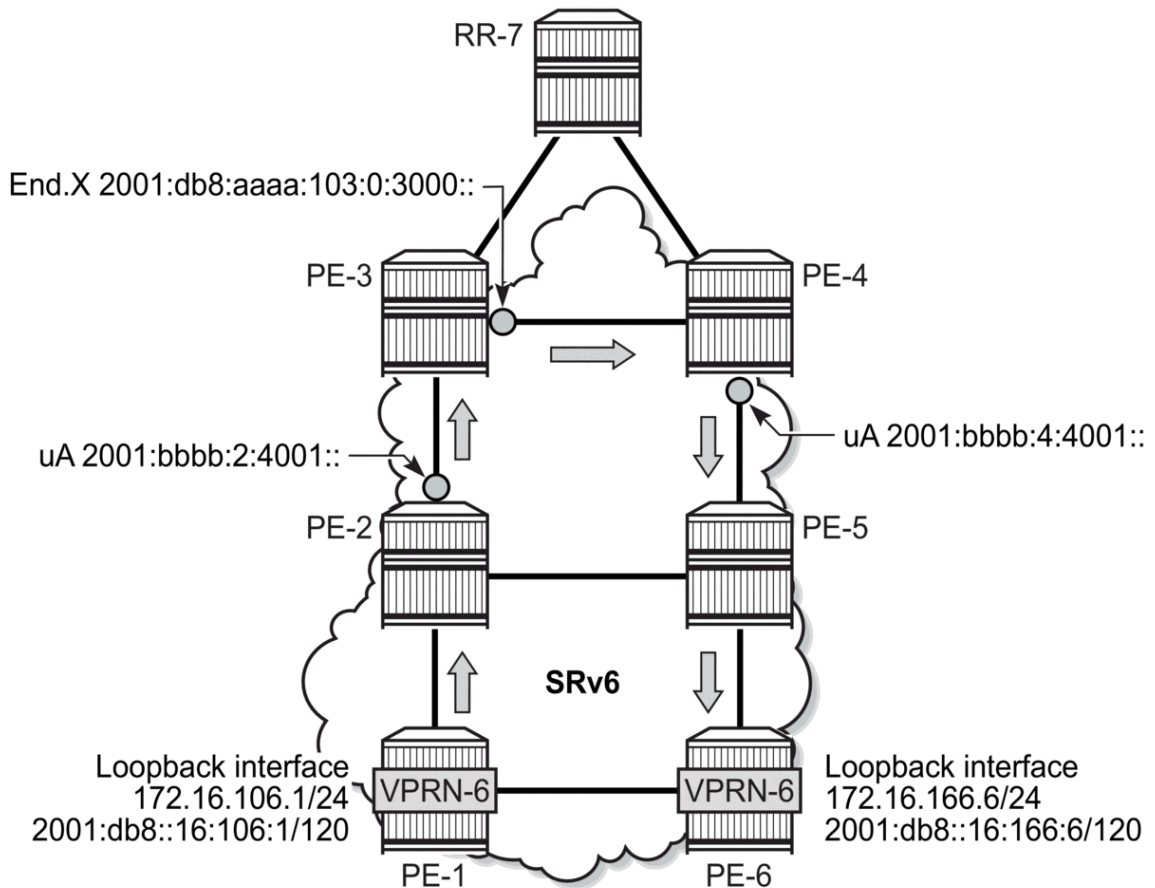
```

```
Created          : 00h04m16s
Last-modified   : 00h04m16s
-----
Resolving Prefix : 2001:db8::2:6/128
Preference      : 14                      Metric          : 0
Reference Count  : 1                      Owner           : SRV6-POLICY
Fib Programmed  : Y
Resolved Next Hop: 0.140.1.1
Egress Label    : n/a                    TunnelId        : 917506
Locator State   : Resolved
-----
VPN Next Hop    : 2001:db8::2:6
Autobind       : gre/rtm srv6-policy
Labels         : --
User-labels    : 1
Admin-tag-policy : --
Strict-tunnel-tagging : N
Color         : 300
UPA Trigger Next Hop : --
Locator        : 2001:bbbb:6::/48
Created        : 00h04m16s
Last-modified  : 00h04m16s
-----
Resolving Prefix : 2001:db8::2:6/128
Preference      : 14                      Metric          : 0
Reference Count  : 1                      Owner           : SRV6-POLICY
Fib Programmed  : Y
Resolved Next Hop: 0.140.1.1
Egress Label    : n/a                    TunnelId        : 917508
Locator State   : Resolved
-----
VPN Next Hop    : 2001:db8::2:6
Autobind       : gre srv6-policy
Labels         : --
User-labels    : 2
Admin-tag-policy : --
Strict-tunnel-tagging : N
Color         : 500
UPA Trigger Next Hop : --
Locator        : 2001:bbbb:6::/48
Created        : 00h04m16s
Last-modified  : 00h04m16s
-----
Resolving Prefix : 2001:db8::2:6/128
Preference      : 14                      Metric          : 0
Reference Count  : 2                      Owner         : SRV6-POLICY
Fib Programmed  : Y
Resolved Next Hop: 0.140.1.1
Egress Label    : n/a                    TunnelId      : 917509
Locator State   : Resolved
-----
Next Hops : 5
=====
```

IP VPN

Figure 69: IP VPN using SRv6 policy with color 600 from PE-1 to PE-6 shows a combination of classic adjacency SIDs (End.X) and micro-segment adjacency SIDs (uA) in the segment list of a static SRv6 policy that is configured on head-end PE-1.

Figure 69: IP VPN using SRv6 policy with color 600 from PE-1 to PE-6



39586

The BGP configuration for IP VPN is described in the [BGP configuration](#) section.

Static SRv6 policy

On head-end 1, the following SRv6 policy is configured with color 600 and a segment list containing two micro-segment SRv6 SIDs and one classic SRv6 SID.

```
# on PE-1:
configure
router Base
segment-routing
```

```

sr-policies
  static-policy "color-600-PE-1-PE-6-mixed" create
    type srv6
    color 600
    endpoint 2001:db8::2:6
    head-end local
    segment-routing-v6
      binding-sid 1 create
        micro-segment-locator "PE1-mloc" function end-b6-encaps-red-next-
csid
        exit
      exit
    segment-list 1 create
      segment 1 create
        srv6-sid 2001:bbbb:2:4001::
        behavior-and-structure behavior end-x-next-csid block-length 32
node-length 16 function-length 16
        exit
      segment 2 create
        srv6-sid 2001:db8:aaaa:103:0:3000::
        exit
      segment 3 create
        srv6-sid 2001:bbbb:4:4001::
        behavior-and-structure behavior end-x-next-csid block-length 32
node-length 16 function-length 16
        exit
      exit
    no shutdown
    exit
  no shutdown
exit
no shutdown

```

VPRN-6 with VPN IP

On head-end PE-1, VPRN-6 is configured as follows:

```

# on PE-1:
configure
  service
    vprn 6 name "VPRN-6" customer 1 create
    autonomous-system 64496
    interface "lo1" create
      address 172.16.106.1/24
      ipv6
        address 2001:db8::106:1/120
      exit
    loopback
  exit
  segment-routing-v6 1 create
    micro-segment-locator "PE1-mloc"
    function
      udt4
      udt6
    exit
  exit
exit
bgp-ipvpn
  segment-routing-v6 bgp 1
  resolution fallback-tunnel-to-route-table
  route-distinguisher 192.0.2.1:6
  source-address 2001:db8::2:1

```

```

        srv6-instance 1 default-locator "PE1-mloc"
        vrf-target target:64500:6
        no shutdown
    exit
exit
no shutdown

```

On endpoint PE-6, the configuration is as follows:

```

# on PE-6:
configure
  router Base
    policy-options
      begin
        community "vrf-6"
          members "target:64500:6"
        exit
        community "color-600"
          members "color:00:600"
        exit
        policy-statement "vrf-6-export-c600"
          default-action accept
          community add "vrf-6" "color-600"
        exit
      exit
    policy-statement "vrf-6-import"
      entry 10
        from
          community "vrf-6"
        exit
        action accept
      exit
    exit
  exit
  commit
exit
service
  vprn 6 name "VPRN-6" customer 1 create
  autonomous-system 64497
  interface "lo1" create
    address 172.16.166.6/24
    ipv6
      address 2001:db8::166:6/120
    exit
  loopback
  exit
  segment-routing-v6 1 create
    micro-segment-locator "PE6-mloc"
    function
      udt4
      udt6
    exit
  exit
  exit
  bgp-ipvpn
    segment-routing-v6 bgp 1
      route-distinguisher 192.0.2.1:6
      source-address 2001:db8::2:6
      srv6-instance 1 default-locator "PE6-mloc"
      vrf-import "vrf-6-import"
      vrf-export "vrf-6-export-c600"
      no shutdown

```



```

exit
exit
no shutdown
    
```

Verification

On head-end PE-1, the list of micro-segment local SIDs includes SID 2001:bbbb:1:43e8:: for VPLS-3 and SID 2001:bbbb:1:43e9:: for VPRN-5, but only SID 2001:bbbb:1:43ea:: is used for VPRN-6.

```

*A:PE-1# show router segment-routing-v6 micro-segment-local-sid context "VPRN-6"
=====
Micro Segment Routing v6 Local SIDs
=====
SID                               Type           Function
Micro Segment Locator
Context
-----
2001:bbbb:1:4014::                uDT4           16404
  PE1-mloc
  SvcId: 6 Name: VPRN-6
2001:bbbb:1:4015::                uDT6           16405
  PE1-mloc
  SvcId: 6 Name: VPRN-6
2001:bbbb:1:43e8::                End.b6.encaps* 17384
  PE1-mloc
  None
2001:bbbb:1:43e9::                End.b6.encaps* 17385
  PE1-mloc
  None
2001:bbbb:1:43ea::              End.b6.encaps* 17386
  PE1-mloc
  None
-----
SIDs : 5
=====
* indicates that the corresponding row element may have been truncated.
    
```

The tunnel with color 600 is the SRv6 policy tunnel to be used for VPRN-6:

```

*A:PE-1# show router tunnel-table ipv6 protocol srv6-policy
=====
IPv6 Tunnel Table (Router: Base)
=====
Destination                               Owner      Encap TunnelId  Pref
Nexthop                                   Color      SRV6   Metric
-----
2001:db8::2:6/128                         srv6-pol  SRV6   917506   14
  fpe_1.a                                   100      0
2001:db8::2:6/128                         srv6-pol  SRV6   917508   14
  fpe_1.a                                   300      0
2001:db8::2:6/128                         srv6-pol  SRV6   917509   14
  fpe_1.a                                   500      0
2001:db8::2:6/128                         srv6-pol  SRV6   917510   14
  fpe_1.a                                   600      0
-----
Flags: B = BGP or MPLS backup hop available
       L = Loop-Free Alternate (LFA) hop available
    
```

```
E = Inactive best-external BGP route
k = RIB-API or Forwarding Policy backup hop
```

The BGP next hop for VPN-IPv4 routes is resolved using an SRv6 policy:

```
*A:PE-1# show router bgp next-hop vpn-ipv4
=====
BGP Router ID:192.0.2.1      AS:64500      Local AS:64500
=====

BGP VPN Next Hop
=====
VPN Next Hop                Owner
Autobind                    FibProg Reason
Labels (User-labels)        FlexAlgo Metric
Admin-tag-policy (strict-tunnel-tagging) Last Mod.
-----
2001:db8::2:6                SRV6-POLICY
gre srv6-policy                Y
-- (2)                        -- 0
-- (N)                        00h07m13s
-----
Next Hops : 1
=====
```

In a similar way, the BGP next hop for VPN-IPv6 routes is resolved using an SRv6 policy, as follows:

```
*A:PE-1# show router bgp next-hop vpn-ipv6
=====
BGP Router ID:192.0.2.1      AS:64500      Local AS:64500
=====

BGP VPN Next Hop
=====
VPN Next Hop                Owner
Autobind                    FibProg Reason
Labels (User-labels)        FlexAlgo Metric
Admin-tag-policy (strict-tunnel-tagging) Last Mod.
-----
2001:db8::2:6                SRV6-POLICY
gre srv6-policy                Y
-- (2)                        -- 0
-- (N)                        00h07m13s
-----
Next Hops : 1
=====
```

Conclusion

EVPN VPWS, EVPN VPLS, EVPN IFL, and VPN IP services can resolve their BGP next hops over an SRv6 policy in TTMv6.

Customer document and product support



Customer documentation

[Customer documentation welcome page](#)



Technical support

[Product support portal](#)



Documentation feedback

[Customer documentation feedback](#)