



Alcatel-Lucent 1663

Add Drop Multiplexer-universal (1663 ADMu) | Release 6.1

Applications and Planning Guide

365-312-841R6.1

CC109649467

Issue 8 | April 2014

Alcatel-Lucent - Proprietary
Use pursuant to applicable agreements

Legal notice

Alcatel, Lucent, Alcatel-Lucent and the Alcatel-Lucent logo are trademarks of Alcatel-Lucent. All other trademarks are the property of their respective owners.

The information presented is subject to change without notice. Alcatel-Lucent assumes no responsibility for inaccuracies contained herein.

Copyright © 2014 Alcatel-Lucent. All rights reserved.

Contains proprietary/trade secret information which is the property of Alcatel-Lucent and must not be made available to, or copied or used by anyone outside Alcatel-Lucent without its written authorization.

Not to be used or disclosed except in accordance with applicable agreements.

Notice

Every effort has been made to ensure that the information in this document was complete and accurate at the time of printing. However, information is subject to change.

License information for Open Source software

Alcatel-Lucent 1663 Add Drop Multiplexer-universal (1663 ADMu) software contains open source software. For further details about handling/usage and licensing of the contained/used open source software, please check Alcatel-Lucent 1663 ADMu open source declaration files which are available on the Alcatel-Lucent 1663 ADMu SW CD-ROMs.

Hard Hat™ Linux® Software Copyright Notices

Copyright 1999-2005. MONTAVISTA® SOFTWARE, INC..

Redistribution and use in source and binary forms, with or without modification, are permitted only as authorized by the GNU General Public License (GPL version 2): <http://www.fsf.org/licenses/licenses.html#GPL>.

Linux® is a registered trademark of Linus Torvalds.

Hard Hat™ Linux® is a trademark or registered trademark of MONTAVISTA® SOFTWARE, INC..

Individual files and/or contributed packages may be copyright by other parties and their use subject to additional restrictions.

Additional information about Hard Hat™ Linux® can be obtained at www.mvista.com/products/pro.

Declaration of Conformity

The Declaration of Conformity (DoC) for this product can be found in this document at “[Conformity statements](#)” (p. 9-7), or at: <http://www.lucent.de/ecl>.

The Declaration of Conformity (DoC) for this product can be found in the Applications and Planning Guide (APG) chapter “Quality and reliability”, or at: <http://www.lucent.de/ecl>.

WEEE directive

The *Waste from Electrical and Electronic Equipment (WEEE) directive* for this product can be found in this document at “[Eco-environmental statements](#)” (p. 9-10).

Overview EMC/ESD Safety

The EMC/ESD boundary has been defined at rack/subrack level. The principle is based on the “Faraday Cage” theory. If there are doors, then the doors must be closed. With every rack/subrack an ESD (electrostatic discharge) earth socket and an ESD sticker are supplied. On the Rack frame ETSI an ESD bonding point for an ESD wrist strap is present. It is mounted in a way that it's always accessible for installation, normal operation and maintenance activity.

Wrist strap

The wrist strap must be worn when opening the subrack doors.

Electrostatic sensitive devices

The equipment described in this guide contains static sensitive devices. Electrostatic discharge precautions should be taken when operating or working on this equipment.

Special handling precautions apply whenever installing or removing parts of the equipment include:

- leaving components or equipment in original packaging until required for use.
- removing plug-in units with previously discharged hands (e.g. using grounded wrist straps connected to the ESD bonding point on the cabinet).
- returning items for repair in suitable antistatic packaging.

Contents

About this document

Purpose	xiii
What's new	xiii
Safety information	xiii
Intended audience	xiii
How to use this information product	xiv
Conventions used	xv
Related documentation	xvi
Related training	xviii
Documented feature set	xviii
Intended use	xviii
Optical safety	xviii
Technical Documentation	xxi
How to order	xxi
How to comment	xxii

1 Introduction

Overview	1-1
Structure of safety statements	1-2
Alcatel-Lucent 1663 ADMu network solutions	1-4
The optical networking products family	1-7
Alcatel-Lucent 1663 ADMu system description	1-10

2 Features

Overview	2-1
----------------	-----

Physical interfaces

Overview 2-4

Synchronous interfaces 2-5

Data interfaces 2-7

Timing interfaces 2-8

User byte and orderwire interfaces 2-9

Operations interfaces 2-10

Power interfaces and grounding 2-11

SDH Transmission features

Overview 2-12

Cross-connection features 2-13

Ring protection 2-14

DNI 2-17

Line protection 2-22

Path protection 2-24

Ethernet features

Overview 2-27

Ethernet over SDH 2-29

Virtual concatenation 2-38

Spanning tree protocol (STP) 2-44

GARP VLAN Registration Protocol (GVRP) 2-51

Ethernet over SDH applications 2-54

Operational modes 2-62

Tagging modes 2-75

Link Pass Through 2-81

Link aggregation 2-83

IGMP snooping 2-85

IEEE 802.3ah Operations, Administration and Maintenance (OAM)	2-89
IEEE 802.3ah OAM interworking with MRV Fiber Driver	2-93
Static MAC Address Provisioning	2-95
Port provisioning	2-96
Quality of Service (QoS) overview	2-102
Classification, queueing and scheduling	2-107
Quality of Service provisioning	2-117
TPID (Ethertype) translation	2-120
p-bits/CFI dropping precedence encoding translation	2-122
Performance monitoring	2-132
Equipment features	
Overview	2-146
Equipment protection	2-147
Optical interface modules	2-150
Equipment reports	2-151
Synchronization and timing	
Overview	2-152
Timing features	2-153
Timing protection	2-154
Timing interface features	2-155
Operations, Administration, Maintenance and Provisioning	
Overview	2-156
Interfaces	2-157
Monitoring and diagnostics features	2-160
3 Network topologies	
Overview	3-1

	Access/metro applications	
	Overview	3-3
	Access/metro core networking	3-4
	Application details	
	Overview	3-5
	Ethernet services - packets over SDH	3-6
	Metro access multi-ring node with LXC functionality	3-13
	Dual homing of STM-1/STM-4/STM-16 access ring	3-14
4	Product description	
	Overview	4-1
	Concise system description	4-2
	Transmission architecture	4-5
	Switch function	4-10
	Shelf configurations	4-14
	Circuit packs	4-30
	Synchronization and timing	4-59
	System control and management	4-67
	Power	4-68
	Cooling	4-69
5	Operations, administration, maintenance and provisioning	
	Overview	5-1
	Operations	
	Overview	5-3
	Visible alarm indicators	5-4
	ITM-CIT	5-7
	Operations interfaces	5-9

Administration	
Overview	5-11
Security	5-12
NE administration concept	5-14
Maintenance	
Overview	5-15
Maintenance signals	5-16
Loopbacks and tests	5-20
Protection and redundancy	5-24
Performance monitoring	5-26
Reports	5-29
Orderwire	5-32
Provisioning	
Overview	5-33
Introduction	5-34
6 System planning and engineering	
Overview	6-1
General planning information	6-2
Power planning	6-3
Cooling equipment	6-4
Environmental conditions	6-5
Transmission capacity	6-8
Port location rules	6-10
Alcatel-Lucent 1663 ADMu core engineering	6-19
Network synchronization	6-22
Floor plan layout	6-24

	Floor plan layout	6-28
	Equipment interconnection	6-30
7	Ordering	
	Overview	7-1
	Ordering information	7-2
8	Product support	
	Overview	8-1
	Installation services	8-2
	Engineering services	8-4
	Maintenance services	8-7
	Technical support	8-9
	Documentation support	8-11
	Training support	8-12
	Training courses	8-13
9	Quality and reliability	
	Overview	9-1
	Quality	
	Overview	9-2
	Alcatel-Lucent' commitment to quality and reliability	9-3
	Ensuring quality	9-5
	Environmental aspects	9-6
	Conformity statements	9-7
	Reliability specifications	
	Overview	9-12
	General specifications	9-13
	Reliability program	9-14

	Reliability specifications	9-15
10	Technical specifications	
	Overview	10-1
	Optical interfaces	10-2
	Electrical interfaces	10-31
	Mapping structure	10-32
	Transmission performance	10-33
	Timing, network synchronization and timing references	10-34
	Power specifications	10-36
	Physical system specifications	10-42
	Network management	10-44
	Bandwidth management	10-45
	Processing of overhead bytes	10-46
	OAM&P	10-49
	Performance monitoring	10-50
	Supervision and alarms	10-52
	Spare part information	10-54
A	An SDH overview	
	Overview	A-1
	SDH signal hierarchy	A-4
	SDH path and line sections	A-6
	SDH frame structure	A-9
	SDH digital multiplexing	A-11
	SDH interface	A-13
	SDH multiplexing process	A-14
	SDH demultiplexing process	A-15

Contents

SDH transport rates	A-16
---------------------------	------

Glossary

Index

List of tables

6-1	Optical interface circuit packs	6-13
-----	---	------

About this document

Purpose

This Application and Planning Guide (APG) provides the following information about the Alcatel-Lucent 1663 Add Drop Multiplexer-universal (Alcatel-Lucent 1663 ADMu), Release 6.1:

- System overview
- Features and benefits
- Applications
- Product description
- System planning and engineering
- OAM&P
- Product support
- Quality and reliability
- Technical specifications.

What's new

This document has been updated for Issue 8.

Safety information

For your safety, this document contains safety statements. Safety statements are given at points where risks of damage to personnel, equipment, and operation may exist. Failure to follow the directions in a safety statement may result in serious consequences.

Intended audience

The *Alcatel-Lucent 1663 Add Drop Multiplexer-universal Applications and Planning Guide* is primarily intended for network planners and engineers. In addition, others (e.g., Alcatel-Lucent sales people and customers) who need specific information about the features, applications, operation, and engineering of Alcatel-Lucent 1663 ADMu may find the information in this manual useful.

How to use this information product

Each chapter of this manual treats a specific aspect of the system and can be regarded as an independent description. This ensures that readers can inform themselves according to their special needs. This also means that the manual provides more information than needed by many of the readers. Before you start reading the manual, it is therefore necessary to assess which aspects or chapters will cover the individual area of interest.

The following table briefly describes the type of information found in each chapter.

Chapter	Title	Description
About this information product		<p>This chapter</p> <ul style="list-style-type: none"> describes the guide's purpose, intended audience, and organization lists related documentation explains how to comment on this document
1	Introduction	<p>This chapter</p> <ul style="list-style-type: none"> presents network application solutions provides a high-level product overview describes the product family lists features
2	Features	Describes the features of Alcatel-Lucent 1663 ADMu
3	Network topologies	Describes some of the main network topologies possible with Alcatel-Lucent 1663 ADMu
4	Product description	<p>This chapter</p> <ul style="list-style-type: none"> provides a functional overview of the system describes the hardware and configurations available for the product
5	Operations, administration, maintenance, and provisioning	Describes OAM&P features (such as alarms, operation interfaces, security, and performance monitoring)
6	System planning and engineering	Provides planning information necessary to deploy the system
7	Ordering	Describes how to order Alcatel-Lucent 1663 ADMu.
8	Product support	<p>This chapter</p> <ul style="list-style-type: none"> describes engineering and installation services explains documentation and technical support lists training courses

Chapter	Title	Description
9	Quality and reliability	This chapter <ul style="list-style-type: none">provides the Alcatel-Lucent quality policylists the reliability specifications
10	Technical specifications	Lists the technical specifications
Appendix A	SDH Overview	Describes the standards for optical signal rates and formats (SDH)
Glossary	Defines telecommunication terms and explains abbreviations and acronyms	
Index	Lists specific subjects and their corresponding page numbers	

Conventions used

These conventions are used in this document:

Numbering

The chapters of this document are numbered consecutively. The page numbering restarts at “1” in each chapter. To facilitate identifying pages in different chapters, the page numbers are prefixed with the chapter number. For example, page 2-3 is the third page in chapter 2.

Cross-references

Cross-reference conventions are identical with those used for numbering, i.e. the first number in a reference to a particular page refers to the corresponding chapter.

Keyword blocks

This document contains so-called keyword blocks to facilitate the location of specific text passages. The keyword blocks are placed to the left of the main text and indicate the contents of a paragraph or group of paragraphs.

Typographical conventions

Special typographical conventions apply to elements of the graphical user interface (GUI), file names and system path information, keyboard entries, alarm messages etc.

- Elements of the graphical user interface (GUI)
These are examples of text that appears on a graphical user interface (GUI), such as menu options, window titles or push buttons:
 - **Provision...**, **Delete**, **Apply**, **Close**, **OK** (push-button)
 - **Provision Timing/Sync** (window title)
 - **View Equipment Details...** (menu option)
 - **Administration** → **Security** → **User Provisioning...** (path for invoking a window)
- File names and system path information

These are examples of file names and system path information:

- *setup.exe*
- *C:\Program Files\Lucent Technologies*

- Keyboard entries

These are examples of keyboard entries:

- **F1, Esc X, Alt-F, Ctrl-D, Ctrl-Alt-Del** (simple keyboard entries)

A hyphen between two keys means that both keys have to be pressed simultaneously. Otherwise, a single key has to be pressed, or several keys have to be pressed in sequence.

- **copy abc xyz** (command)

A complete command has to be entered.

- Alarms and error messages

These are examples of alarms and error messages:

- Loss of Signal
- Circuit Pack Failure
- HP-UNEQ, MS-AIS, LOS, LOF
- Not enough disk space available

Abbreviations

Abbreviations used in this document can be found in the “Glossary” unless it can be assumed that the reader is familiar with the abbreviation.

Related documentation

This section briefly describes the documents that are included in the Alcatel-Lucent 1663 ADMu documentation set.

- Installation Guide

The Alcatel-Lucent 1663 Add Drop Multiplexer-universal (1663 ADMu) Installation Guide (IG) is a step-by-step guide to system installation and setup. It also includes information needed for pre-installation site planning and post-installation acceptance testing.

- Applications and Planning Guide

The *Alcatel-Lucent 1663 Add Drop Multiplexer-universal (1663 ADMu) Applications and Planning Guide (APG)* is for use by network planners, analysts and managers. It is also for use by the Alcatel-Lucent Account Team. It presents a detailed overview of the system, describes its applications, gives planning requirements, engineering rules, ordering information, and technical specifications.

- User Operations Guide

The *Alcatel-Lucent 1663 Add Drop Multiplexer-universal (1663 ADMu) User Operations Guide (UOG)* provides step-by-step information for use in daily system operations. The manual demonstrates how to perform system provisioning, operations, and administrative tasks by use of ITM Craft Interface Terminal (ITM-CIT).

- Alarm Messages and Trouble-Clearing Guide

The *Alcatel-Lucent 1663 Add Drop Multiplexer-universal (1663 ADMu) Alarm Messages and Trouble-Clearing Guide* gives detailed information on each possible alarm message. Furthermore, it provides procedures for routine maintenance, troubleshooting, diagnostics, and component replacement.

- The *OMS Provisioning Guide (Application Alcatel-Lucent 1663 Add Drop Multiplexer-universal (Alcatel-Lucent 1663 ADMu))*

The *OMS Provisioning Guide (Application Alcatel-Lucent 1663 Add Drop Multiplexer-universal (Alcatel-Lucent 1663 ADMu))* gives instructions on how to perform system provisioning, operations, and administrative tasks by use of OMS.

The following table lists the documents included in the Alcatel-Lucent 1663 ADMu documentation set.

Document title	Document code
<i>Alcatel-Lucent 1663 Add Drop Multiplexer-universal (1663 ADMu) Release 6.1 Applications and Planning Guide</i>	109649467 (365-312-841R6.1)
<i>Alcatel-Lucent 1663 Add Drop Multiplexer-universal (1663 ADMu) Release 6.1 User Operations Guide</i>	109649509 (365-312-842R6.1)
<i>Alcatel-Lucent 1663 Add Drop Multiplexer-universal (1663 ADMu) Release 6.1 Alarm Messages and Trouble Clearing Guide</i>	109649459 (365-312-843R6.1)
<i>Alcatel-Lucent 1663 Add Drop Multiplexer-universal (1663 ADMu) Release 6.1 Installation Guide</i>	109649483 (365-312-844R6.1)
<i>OMG Provisioning Guide (Application Alcatel-Lucent 1663 Add Drop Multiplexer-universal (Alcatel-Lucent 1663 ADMu))</i>	109649491 (365-312-875R6.0)
<i>Alcatel-Lucent 1663 Add Drop Multiplexer-universal (Alcatel-Lucent 1663 ADMu) Safety Guide</i>	109640631 (365-312-879)
CD-ROM Documentation Alcatel-Lucent 1663 Add Drop Multiplexer-universal (1663 ADMu) Release 6.1 (all manuals on a CD-ROM)	109649475 (365-312-845R6.1)

These documents can be ordered at or downloaded from the Customer Information Center (CIC) at <http://www.cic.lucent.com/documents.html>, or via your Local Customer Support.

Related training

For detailed information about the Alcatel-Lucent 1663 ADMu training courses and how to register please refer to [“Training support” \(p. 8-12\)](#) in this document.

Documented feature set

This manual describes Alcatel-Lucent 1663 ADMu Release 6.1. For technical reasons, some of the documented features might not be available until later software versions. For precise information about the availability of features, please consult the Software Release Description (SRD) that is distributed with the network element software. This provides details of the status at the time of software delivery.

Intended use

This equipment shall be used only in accordance with intended use, corresponding installation and maintenance statements as specified in this documentation. Any other use or modification is prohibited.

Optical safety

IEC Customer Laser Safety Guidelines

Alcatel-Lucent declares that this product is compliant with all essential safety requirements as stated in IEC 60825-Part 1 and 2 “Safety of laser products” and “Safety of optical fibre telecommunication systems”. Furthermore Alcatel-Lucent declares that the warning statements on labels on this equipment are in accordance with the specified laser radiation class.

Optical Safety Declaration (if laser modules used)

Alcatel-Lucent declares that this product is compliant with all essential safety requirements as stated in IEC 60825-Part 1 and 2 “Safety of Laser Products” and “Safety of Optical Fiber Telecommunication Systems”. Furthermore Alcatel-Lucent declares that the warning statements on labels on this equipment are in accordance with the specified laser radiation class.

Optical Fiber Communications

This equipment contains an Optical Fiber Communications semiconductor laser/LED transmitter. The following Laser Safety Guidelines are provided for this product.

General Laser Information

Optical fiber telecommunication systems, their associated test sets, and similar operating systems use semiconductor laser transmitters that emit infrared (IR) light at wavelengths between approximately 800 nanometers (nm) and 1600 nm. The emitted light is above the red end of the visible spectrum, which is normally not visible to the human eye. Although

radiant energy at near-IR wavelengths is officially designated invisible, some people can see the shorter wavelength energy even at power levels several orders of magnitude below any that have been shown to cause injury to the eye.

Conventional lasers can produce an intense beam of monochromatic light. The term “monochromaticity” means a single wavelength output of pure color that may be visible or invisible to the eye. A conventional laser produces a small-size beam of light, and because the beam size is small the power density (also called irradiance) is very high. Consequently, lasers and laser products are subject to federal and applicable state regulations, as well as international standards, for their safe operation.

A conventional laser beam expands very little over distance, or is said to be very well collimated. Thus, conventional laser irradiance remains relatively constant over distance. However, lasers used in lightwave systems have a large beam divergence, typically 10 to 20 degrees. Here, irradiance obeys the inverse square law (doubling the distance reduces the irradiance by a factor of 4) and rapidly decreases over distance.

Lasers and Eye Damage

The optical energy emitted by laser and high-radiance LEDs in the 400-1400 nm range may cause eye damage if absorbed by the retina. When a beam of light enters the eye, the eye magnifies and focuses the energy on the retina magnifying the irradiance. The irradiance of the energy that reaches the retina is approximately 10⁵, or 100,000 times more than at the cornea and, if sufficiently intense, may cause a retinal burn.

The damage mechanism at the wavelengths used in an optical fiber telecommunications is thermal in origin, i.e., damage caused by heating. Therefore, a specific amount of energy is required for a definite time to heat an area of retinal tissue. Damage to the retina occurs only when one looks at the light long enough that the product of the retinal irradiance and the viewing time exceeds the damage threshold. Optical energies above 1400 nm cause corneal and skin burns, but do not affect the retina. The thresholds for injury at wavelengths greater than 1400 nm are significantly higher than for wavelengths in the retinal hazard region.

Classification of Lasers

Manufacturers of lasers and laser products in the U.S. are regulated by the Food and Drug Administration's Center for Devices and Radiological Health (FDA/CDRH) under 21 CFR 1040. These regulations require manufacturers to certify each laser or laser product as belonging to one of four major Classes: I, II, IIIa, IIIb, or IV. The International Electro-technical Commission is an international standards body that writes laser safety standards under IEC-60825. Classification schemes are similar with Classes divided into Classes 1, 1M, 2, 2M, 3R, 3B, and 4. Lasers are classified according to the accessible emission limits and their potential for causing injury. Optical fiber telecommunication systems are generally classified as Class I/1 because, under normal operating conditions, all energized laser transmitting circuit packs are terminated on optical fibers which enclose the laser energy with the fiber sheath forming a protective housing. Also, a

protective housing/access panel is typically installed in front of the laser circuit pack shelves. The circuit packs themselves, however, may be FDA/CDRH Class I, IIIb, or IV or IEC Class 1, 1M, 3R, 3B, or 4.

Laser Safety Precautions for Optical Fiber Telecommunication Systems

In its normal operating mode, an optical fiber telecommunication system is totally enclosed and presents no risk of eye injury. It is a Class I/1 system under the FDA and IEC classifications.

The fiber optic cables that interconnect various components of an optical fiber telecommunication system can disconnect or break, and may expose people to laser emissions. Also, certain measures and maintenance procedures may expose the technician to emission from the semiconductor laser during installation and servicing. Unlike more familiar laser devices such as solid-state and gas lasers, the emission pattern of a semiconductor laser results in a highly divergent beam. In a divergent beam, the irradiance (power density) decreases rapidly with distance. The greater the distance, the less energy will enter the eye, and the less potential risk for eye injury. Inadvertently viewing an un-terminated fiber or damaged fiber with the unaided eye at distances greater than 5 to 6 inches normally will not cause eye injury, provided the power in the fiber is less than a few milliwatts at the near IR wavelengths and a few tens of milliwatts at the far IR wavelengths. However, damage may occur if an optical instrument such as a microscope, magnifying glass, or eye loupe is used to stare at the energized fiber end.



Use of controls, adjustments, and procedures other than those specified herein may result in hazardous laser radiation exposure.

Laser Safety Precautions for Enclosed Systems

Under normal operating conditions, optical fiber telecommunication systems are completely enclosed; nonetheless, the following precautions shall be observed:

1. Because of the potential for eye damage, technicians should not stare into optical connectors or broken fibers
2. Under no circumstance shall laser/fiber optic operations be performed by a technician before satisfactorily completing an approved training course
3. Since viewing laser emissions directly in excess of Class I/1 limits with an optical instrument such as an eye loupe greatly increases the risk of eye damage, appropriate labels must appear in plain view, in close proximity to the optical port on the protective housing/access panel of the terminal equipment.

Laser Safety Precautions for Unenclosed Systems

During service, maintenance, or restoration, an optical fiber telecommunication system is considered unenclosed. Under these conditions, follow these practices:

1. Only authorized, trained personnel shall be permitted to do service, maintenance and restoration. Avoid exposing the eye to emissions from un-terminated, energized optical connectors at close distances. Laser modules associated with the optical ports of laser circuit packs are typically recessed, which limits the exposure distance. Optical port shutters, Automatic Power Reduction (APR), and Automatic Power Shut Down (APSD) are engineering controls that are also used to limit emissions. However, technicians removing or replacing laser circuit packs should not stare or look directly into the optical port with optical instruments or magnifying lenses. (Normal eye wear or indirect viewing instruments such as Find-R-Scopes are not considered magnifying lenses or optical instruments.)
2. Only authorized, trained personnel shall use optical test equipment during installation or servicing since this equipment contains semiconductor lasers (Some examples of optical test equipment are Optical Time Domain Reflectometers (OTDR's), Hand-Held Loss Test Sets.)
3. Under no circumstances shall any personnel scan a fiber with an optical test set without verifying that all laser sources on the fiber are turned off
4. All unauthorized personnel shall be excluded from the immediate area of the optical fiber telecommunication systems during installation and service.

Consult ANSI Z136.2, American National Standard for Safe Use of Lasers in the U.S.; or, outside the U.S., IEC-60825, Part 2 for guidance on the safe use of optical fiber optic communication in the workplace.

Technical Documentation

The technical documentation as required by the Conformity Assessment procedure is kept at Alcatel-Lucent location which is responsible for this product. For more information please contact your local Alcatel-Lucent representative.

How to order

An overview of the ordering process and the latest software & licenses information is given in [Chapter 7, "Ordering"](#) of this manual.

For a complete and up-to-date list of the orderable hw items with the respective comcodes please refer to the Engineering Drawing ED8C937-10-A4, that you can

- find appended at the end of this document, as available on the date of printing (if ordered at the Customer Information Center (CIC))
- order in the latest version at CIC under <http://www.cic.lucent.com/drawings.html> with the order code ED8C937-10-A4.

How to comment

To comment on this document, go to the [Online Comment Form \(http://infodoc.alcatel-lucent.com/comments/\)](http://infodoc.alcatel-lucent.com/comments/) or e-mail your comments to the [Comments Hotline \(comments@alcatel-lucent.com\)](mailto:comments@alcatel-lucent.com).

1 Introduction

Overview

Purpose

This chapter introduces the Alcatel-Lucent 1663 Add Drop Multiplexer-universal (Alcatel-Lucent 1663 ADMu).

Contents

Structure of safety statements	1-2
Alcatel-Lucent 1663 ADMu network solutions	1-4
The optical networking products family	1-7
Alcatel-Lucent 1663 ADMu system description	1-10

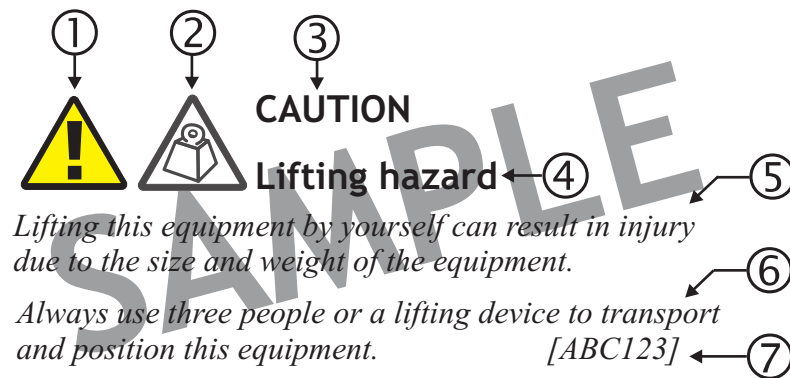
Structure of safety statements

Overview

This topic describes the components of safety statements that appear in this document.

General structure

Safety statements include the following structural elements:



Item	Structure element	Purpose
1	Safety alert symbol	Indicates the potential for personal injury (optional)
2	Safety symbol	Indicates hazard type (optional)
3	Signal word	Indicates the severity of the hazard
4	Hazard type	Describes the source of the risk of damage or injury
5	Safety message	Consequences if protective measures fail
6	Avoidance message	Protective measures to take to avoid the hazard
7	Identifier	The reference ID of the safety statement (optional)

Signal words

The signal words identify the hazard severity levels as follows:

Signal word	Meaning
DANGER	Indicates an extremely hazardous situation which, if not avoided, will result in death or serious injury.
WARNING	Indicates a hazardous situation which, if not avoided, could result in death or serious injury.
CAUTION	Indicates a hazardous situation which, if not avoided, could result in minor or moderate injury.
NOTICE	Indicates a hazardous situation not related to personal injury.

Alcatel-Lucent 1663 ADMu network solutions

The Alcatel-Lucent 1663 ADMu is a high capacity, flexible, cost-effective wideband multiplexer and transport system that can multiplex standard PDH and SDH bit rates as well as Ethernet signals to line-transport rates that can be selected at 2.5 Gbit/s (STM-16) or 10 Gbit/s (STM-64). This system is a useful element in building efficient and flexible networks because of its wide-ranging in capacity in addition to a compact and flexible design.

References

A more detailed product description can be found in [Chapter 4, “Product description”](#).

Key features

One of the main features of the Alcatel-Lucent 1663 ADMu is its ability to add/drop and flexibly cross-connect 1,5 Mbit/s and/or 2 Mbit/s directly from the STM-16 or the STM-64. Another attractive feature is that the Ethernet can be connected directly to the SDH layer.

Other signals that can be add/dropped are:

- 34 Mbit/s,
- 45 Mbit/s,
- 155 Mbit/s (STM-1),
- 622 Mbit/s (STM-4),
- 2.5 Gbit/s (STM-16),
- 10/100BASE-T and
- 1000 Base-X Ethernet.

Key features of Alcatel-Lucent 1663 ADMu include:

- 1 + 1 equipment protection
- 1:N equipment protection
- multiplex section protection (MSP) for STM-1o, STM-4, STM-16, and STM-64.
- subnetwork connection protection with non intrusive monitoring (SNCP/N) as path protection or for higher and lower order VCs
- 2-fiber multiplex section shared protection ring (MS-SPRing) at STM-16 and STM-64 level (on 10-Gbit/s and 2.5-Gbit/s interfaces).
- dual node interconnection (DNI) with drop and continue.
- synchronization and timing
- Remote maintenance and management by Alcatel-Lucent management solutions (*Navis*[®] NMS, and OMS)
- tunneling of TCP/IP over DCN

-
- hardware family with the *Metropolis*[®] ADM (Compact Shelf)
 - Ethernet LAN connection supporting generic framing procedure (GFP/EOS) and link capacity adjustment scheme (LCAS)
 - multi-service product for circuit- and packet based services
 - compact design
 - front access for all optical and electrical interfaces
 - easy installation and maintenance
 - low power dissipation
 - flexibility in applications and protection capabilities.
 - manageable by Craft Interface Terminal (ITM-CIT).

These features make the Alcatel-Lucent 1663 ADMu one of the most cost-effective, future-proof and flexible network elements available on the market today.

Applications

The Alcatel-Lucent 1663 ADMu supports a large variety of configurations for various network applications:

- Ethernet services - Packets over SDH
- Metro/Access Multi-ring Node with LXC functionality
- Dual node interworking (DNI)
- Dual homing of STM-1/STM-4 access rings
- Access/metro/core networking

Main applications of the system:

- grooming of lower order traffic in a ring
- path-protected rings
- ring closure
- ADM in MS-SPRing protected STM-16 and STM-64 rings.

Management

Like most of the network elements of the Alcatel-Lucent Optical Networking Group (ONG) product portfolio, Alcatel-Lucent 1663 ADMu is managed by OMS. This user-friendly management system provides information and management of Alcatel-Lucent 1663 ADMu network elements on a subnetwork-level and a network level. A local craft terminal, the ITM Craft Interface Terminal (ITM-CIT), is available for on-site, but also for remote operations and maintenance activities.

Interworking

The Alcatel-Lucent 1663 ADMu can be included in 2 fiber MS-SPRing protected ring networks that also contain *1675 LambdaUnite*[®] MultiService Switch (MSS), *WaveStar*[®] TDM 10G, *WaveStar*[®] BWM, *WaveStar*[®] ADM 16/1, or *Metropolis*[®] ADM (Compact Shelf) network elements. Provisioning commands and protocol operation between the different NEs does interwork.

The following feature and mechanism are specifically needed to support this interworking:

- ring communication server: a special communication feature for nodes in a ring to support functions like automatic ring discovery, cross-connect distribution, selection of channels for MS-SPRing etc. This ring communication server is common across the Alcatel-Lucent products.
- enhanced auto ring discovery: a mechanism to discover automatically the nodes that participate in an MS-SPRING consisting of different Alcatel-Lucent products and to detect addition/deletion of ring nodes.
- circuit audit and auto squelch map interworking: a mechanism to exchange cross-connect distribution information between the nodes of the MS-SPRING using the ring communication server.

If necessary, you can coordinate with Alcatel-Lucent what products are able to interwork with Alcatel-Lucent 1663 ADMu.

The optical networking products family

Alcatel-Lucent offers the industry's widest range of high-quality transport systems and related services designed to provide total network solutions. Included in this offering is the optical networking product family. The optical networking product family offers telecommunications service providers advanced services and revenue-generating capabilities.

Family members

The optical networking products family includes products designed to bring your networks forward into the next century.

The following table lists optical networking products that are currently available or under development.

Optical networking product	SONET	SDH
FT-2000	Yes	No
1675 LambdaUnite [®] MultiService Switch (MSS)	Yes	Yes
1625 LambdaXtreme [™] Transport	Yes	Yes
Alcatel-Lucent 1663 Add Drop Multiplexer-unit (1663 ADMu)	No	Yes
Metropolis [®] AM	No	Yes
Metropolis [®] AMS	No	Yes
Metropolis [®] DMX Access Multiplexer	Yes	No
Metropolis [®] DMXpress Access Multiplexer	Yes	No
Metropolis [®] Enhanced Optical Networking (EON)	Yes	Yes
Navis [®] Optical Capacity Analyzer (CA)	Yes	Yes
Navis [®] Optical Customer Service Manager (CSM)	Yes	Yes
Optical Management System (OMS)	Yes	Yes
Navis [®] Optical Fault Manager	Yes	Yes
Navis [®] Optical Integrated Network Controller (INC)	Yes	Yes
Navis [®] Optical Network Management System (NMS)	Yes	Yes
Navis [®] Optical Performance Analyzer (PA)	Yes	Yes
Navis [®] Optical Provisioning Manager (PM)	Yes	Yes
OptiGate [™] OC-192 Transponder	Yes	No
OptiStar [™] EdgeSwitch	Yes	No
OptiStar [™] IP Encryption Gateway (IPEG)	Yes	No

Optical networking product	SONET	SDH
<i>OptiStar</i> [™] MediaServe	Yes	No
<i>OptiStar</i> [™] Network Adapters	Yes	No
Radio OEM	No	Yes
Synchronization OEM	Yes	Yes
<i>TransLAN</i> [™] Ethernet SDH Transport Solution	No	Yes
<i>WaveStar</i> [®] ADM 16/1	No	Yes
<i>Metropolis</i> [®] ADM (Compact shelf)	No	Yes
<i>WaveStar</i> [®] ADM 4/1	No	Yes
<i>WaveStar</i> [®] BandWidth Manager	Yes	Yes
<i>WaveStar</i> [®] DACS 4/4/1	No	Yes
<i>WaveStar</i> [®] Engineering Orderwire (EOW)	Yes	Yes
<i>WaveStar</i> [®] Optical Line System (OLS) 1.6T	Yes	Yes
<i>WaveStar</i> [®] TDM 10G (OC-192)	Yes	No
<i>WaveStar</i> [®] TDM 10G (STM-64)	No	Yes
<i>WaveStar</i> [®] TDM 2.5G (OC-48)	Yes	No

Family features

The optical networking products family offers customers

- SONET and/or SDH-based services
- Scalable cross-connect, multiplex, and transport services
- Ethernet transport over SONET or SDH networks
- Network consolidation and reliability
- Interoperability with other vendors' products
- Coordination of network element and element management services

Hardware family with the *WaveStar*[®] ADM16/1 Compact

The architecture of the Alcatel-Lucent 1663 ADMu is based on the architecture of the *Metropolis*[®] ADM (Compact shelf). Therefore the tributary circuit packs can be interchanged between these two types of network elements. Since both NEs are planned for the network in question, significant cost savings can be achieved because of the reduced need for spare parts.

The following circuit packs are used by both network elements

- PI-E1/63
- PI-E3DS3/12
- SI-1/4 (STM-1e)
- SI-S1.1/4
- SI-L1.2/4
- SI-S4.1
- SI-L4.2
- IP-LAN/8 and
- IP-GE/2
- SC.

Deployment of transmission systems

From a network point of view, SDH is the answer to the rapidly changing demand for services on the one hand and to the increasing cost of implementing these services in switching equipment on the other hand. The latter means that the switching equipment has to provide for larger and larger areas to keep the cost per line at an economical level. This causes an increase in the deployment of transmission systems because the average distance between subscribers and the central exchange (and also the distance between exchanges) increases. The cost penalty for extra transmission equipment has been relatively low thanks to new developments in transmission technology (e.g. optical fiber).

PDH transmission network

The existing PDH (Plesiochronous Digital Hierarchy) transmission network has a fixed multiplex architecture (2/8, 8/34, 34/140 Mbit/s). Digital distribution frames are installed between the multiplex equipment where the signal cabling is connected. The routing of some of the data streams is established with these connections. The other streams are demultiplexed to 2 Mbit/s and connected to the exchange. Making changes in such a transmission network requires manual action and accurate administration. So flexibility is not optimal and operating costs increase when the demand is changing continuously.

Alcatel-Lucent 1663 ADMu system description

Overview

The Alcatel-Lucent 1663 ADMu is an optical data multiplexer that multiplexes a broad range of PDH and SDH signals into 10 Gbit/s (STM-64), 2.5 Gbit/s (STM-16), 622 Mbit/s (STM-4), or 155 Mbit/s (STM-1) and provides direct LAN interfaces that can be used for LAN interconnection.

Applications

The system can be used as an add/drop multiplexer, a terminal multiplexer or a data-integrated multiplexer. It provides built-in cross-connect facilities and flexible interface circuit packs. Local and remote management and control facilities are provided via the Q and F interfaces and the embedded communication channels.

The Alcatel-Lucent 1663 ADMu shares hardware and software assets of the *Metropolis*[®] ADM (Compact shelf). Therefore the tributary circuit packs may be interchanged between these two types of network elements. Since both NEs are planned for the network in question, the significant cost savings can be achieved because of the reduced need for spare parts.

Basic architecture

The system architecture makes it possible to use an interface circuit pack in almost any other slot position. Hence the system becomes very flexible. A broad range of applications can be served from the same shelf using a common software platform.

Alcatel-Lucent 1663 ADMu subrack

The following figure illustrates the Alcatel-Lucent 1663 ADMu sub-rack.



2 Features

Overview

Purpose

This chapter briefly describes the features of the Alcatel-Lucent 1663 Add Drop Multiplexer-universal (Alcatel-Lucent 1663 ADMu).

For more information on the physical design features and the applicable standards, please refer to [Chapter 6, “System planning and engineering”](#) and to [Chapter 10, “Technical specifications”](#).

Standards compliance

Alcatel-Lucent SDH products comply with the relevant SDH ETSI and ITU-T standards. Important functions defined in SDH standards such as the Data Communication Channel (DCC), the associated 7-layer OSI protocol stack, the SDH multiplexing structure and the Operations, Administration, Maintenance, and Provisioning (OAM&P) functions are implemented in Alcatel-Lucent product families.

Alcatel-Lucent is heavily involved in various study groups with ITU-T, *Telcordia*[™] and ETSI work creating and maintaining the latest worldwide SONET and SDH standards. Alcatel-Lucent 1663 ADMu complies with all relevant and latest *Telcordia*[™], ETSI and ITU-T standards and supports both, SONET and SDH protocols in a single hardware-software configuration.

Contents

Physical interfaces	2-4
Synchronous interfaces	2-5
Data interfaces	2-7
Timing interfaces	2-8
User byte and orderwire interfaces	2-9

Operations interfaces	2-10
Power interfaces and grounding	2-11
SDH Transmission features	2-12
Cross-connection features	2-13
Ring protection	2-14
DNI	2-17
Line protection	2-22
Path protection	2-24
Ethernet features	2-27
Ethernet over SDH	2-29
Virtual concatenation	2-38
Spanning tree protocol (STP)	2-44
GARP VLAN Registration Protocol (GVRP)	2-51
Ethernet over SDH applications	2-54
Operational modes	2-62
Tagging modes	2-75
Link Pass Through	2-81
Link aggregation	2-83
IGMP snooping	2-85
IEEE 802.3ah Operations, Administration and Maintenance (OAM)	2-89
IEEE 802.3ah OAM interworking with MRV Fiber Driver	2-93
Static MAC Address Provisioning	2-95
Port provisioning	2-96
Quality of Service (QoS) overview	2-102
Classification, queueing and scheduling	2-107
Quality of Service provisioning	2-117
TPID (Ethertype) translation	2-120
p-bits/CFI dropping precedence encoding translation	2-122
Performance monitoring	2-132
Equipment features	2-146
Equipment protection	2-147
Optical interface modules	2-150
Equipment reports	2-151

Synchronization and timing	2-152
Timing features	2-153
Timing protection	2-154
Timing interface features	2-155
Operations, Administration, Maintenance and Provisioning	2-156
Interfaces	2-157
Monitoring and diagnostics features	2-160

Physical interfaces

Overview

Purpose

This section provides information about all kinds of physical external interfaces of Alcatel-Lucent 1663 Add Drop Multiplexer-universal (1663 ADMu). For detailed technical data and optical parameters of the interfaces please refer to [Chapter 10, “Technical specifications”](#).

Alcatel-Lucent 1663 ADMu supports a variety of configurations as described in the previous chapter, due to its flexible architecture within the same subrack with a single common SW load. The choice of synchronous and data interfaces described below provides outstanding transmission flexibility and integration capabilities.

Contents

Synchronous interfaces	2-5
Data interfaces	2-7
Timing interfaces	2-8
User byte and orderwire interfaces	2-9
Operations interfaces	2-10
Power interfaces and grounding	2-11

Synchronous interfaces

SDH interface overview

Alcatel-Lucent 1663 ADMu supports the whole range of synchronous transmission rates from 10 Gbit/s down to 155 Mbit/s. All optical interface units support SDH formatted signals.

The following synchronous interfaces are available in the present release:

- 10-Gbit/s very long haul optical interface (120 km), 1550 nm
- 10-Gbit/s long haul optical interface (80 km), 1550 nm
- 10-Gbit/s short haul optical interface (40 km), 1550 nm
- 10-Gbit/s intra-office optical interface (600 m), 1310 nm
- 10-Gbit/s intra-office XFP optical module (2 km), 1310 nm 1310 nm, G.693-VSR2000-2R1, with a target distance of 2km -
- 10-Gbit/s Short Haul XFP optical module (40 km), 1550 nm, S-64.2b/3, with a target distance of 40km
- 10-Gbit/s Long Haul XFP optical module (80 km), 1550 nm, G.691- L-64.2b/3, with a target distance of 80km
- 2.5-Gbit/s long haul optical interface with integrated OBA (120 km), 1550 nm
- 2.5-Gbit/s long haul optical interface (80 km), 1550 nm
- 2.5-Gbit/s long haul optical interface (40 km), 1550 nm
- 2.5-Gbit/s short haul optical interface (40 km), 1310 nm
- 2.5-Gbit/s intermediate reach / short haul SFP optical module (15 km), 1310 nm
- 2.5-Gbit/s intermediate reach / short haul upstream SFP optical module (single fibre working 15km), 1310 nm
- 2.5-Gbit/s intermediate reach / short haul downstream stream SFP optical module (single fibre working 15km), 1490 nm
- 2.5-Gbit/s intra-office optical interface (2 km), 1310 nm
- 2.5-Gbit/s long haul SFP optical module (80 km), 1310 nm
- 2.5-Gbit/s long haul SFP optical module (40 km), 1310 nm
- 2.5-Gbit/s intra-office SFP optical module (2 km), 1310 nm
- 2.5-Gbit/s long haul SFP optical module (80 km), CWDM compatible, (4 colours)
- 2.5-Gbit/s short haul SFP optical module (40 km), CWDM compatible, (4 colours)
- 2.5-Gbit/s long haul optical interface (40 km), 1,5 μ m, pWDM compatible, 32 wavelengths; two fit in the pWDM parent board
- 622-Mbit/s long haul optical module (80 km), 1550 nm
- 622-Mbit/s intermediate reach / short haul SFP optical module (15 km), 1310 nm
- 622-Mbit/s short haul optical interface (15 km), 1310 nm

-
- 155-Mbit/s long haul optical module (80 km), 1550 nm
 - 155-Mbit/s intermediate reach / short haul optical interface (15 km), 1310 nm
 - 155-Mbit/s intermediate reach / short haul SFP optical module (15 km), 1310 nm
 - 155-Mbit/s / 622-Mbit/s / 1-Gbit/s intermediate reach / short haul upstream SFP optical module (single fibre working 15km), 1310 nm
 - 155-Mbit/s / 622-Mbit/s / 1-Gbit/s /intermediate reach / short haul downstream SFP optical module (single fibre working 15km), 1490 nm
 - 155-Mbit/s intra-office interface for electrical STM-1 signals
 - 155-Mbit/s / 622-Mbit/s long haul upstream SFP optical module (single fibre working 40km), 1310 nm
 - 155-Mbit/s / 622-Mbit/s long haul downstream SFP optical module (single fibre working 40km), 1550 nm

PDH interface overview

Alcatel-Lucent 1663 ADMu supports the the some plesiochronous transmission rates.

The following plesiochronous interfaces are available in the present release:

- 2 Mbit/s interface for electrical E1 signals
- 1.5 Mbit/s interface for electrical DS1 signals

For the transport through SDH the DS1 signal is asynchronously mapped into TU-12.

- 34 Mbit/s interface for electrical E3 signals
- 45 Mbit/s interface for electrical DS3 signals

Data interfaces

Gigabit Ethernet interface

Alcatel-Lucent 1663 ADMu supports optical 1-Gbit/s (1000BASE) Ethernet interfaces, as part of the *TransLAN*[™] Ethernet SDH Transport Solution. The GE interfaces are supported by both LKA53 (TransLAN solution) and LKA58 (EPL solution).

Three optical 1-Gbit/s Ethernet interface units are supported, the short reach interface, called GE1/SX, the long reach interface, called GE1/LX and GE1/ZX long reach interface (1550 nm long haul, single mode fiber, with a target distance of 70 km), with two ports each. These interfaces are in accordance with IEEE 802.3-2000 Clause 38. To optimize communication the Ethernet interface supports flow control and auto-negotiation, as defined in Section 37 of IEEE 802.3. This feature, among others, enables IEEE-802.3 compliant devices with different technologies to communicate their enhanced mode of operation in order to inter-operate and to take maximum advantage of their abilities.

- 155-Mbit/s / 622-Mbit/s / 1-Gbit/s intermediate reach / short haul upstream SFP optical module (single fibre working 15 km), 1310 nm
- 155-Mbit/s / 622-Mbit/s / 1-Gbit/s intermediate reach/ short haul downstream SFP optical module (single fibre working 15 km), 1490 nm

The GE1 interfaces provide enhanced flexibility for Gigabit Ethernet packet routing, for example virtual concatenation, multipoint MAC bridge, VLAN trunking and Spanning Tree Protocol (STP) with Generic VLAN Registration Protocol (GVRP). For further information please refer to [“Key features of Ethernet/Fast Ethernet” \(p. 3-6\)](#) and [“Key features of Gigabit Ethernet” \(p. 3-9\)](#).

Each GE1 circuit pack offers two (for LKA53) or eight (for LKA58) bidirectional 1000BASE Ethernet LAN ports with LC connectors. If Alcatel-Lucent 1663 ADMu is mounted in a rack with doors you must use fiber connectors with angled boots.

Ethernet/Fast Ethernet interface

For the Alcatel-Lucent 1663 ADMu there are the LKA4 or LKA412 E/FE units, that can provide a simple, managed solution for multi-site LAN interconnection by mapping ethernet frames into

- VC-12-xv (x=1,2...5) or VC-3-xv (x=1,2) (LKA4).
- VC-3-Xv (x=1..9), VC-12-Xv (x=1..63) and VC-4-Xv (x=1..3) (LKA412)

The Alcatel-Lucent 1663 ADMu supports 10/100BASE-T Ethernet and provides the integrated data connections within the SDH network.

For further information please refer to [“Key features of Ethernet/Fast Ethernet” \(p. 3-6\)](#).

Timing interfaces

Alcatel-Lucent 1663 ADMu provides two physical timing inputs and two timing outputs. ITU-T compliant 2,048 kHz and 2 Mbit/s (framed or unframed) timing signals can be used as inputs and outputs, see also “[Timing interface features](#)” (p. 2-155).

The Japanese market requires different station clock interfaces: 64 kHz + 8 kHz (+ 400 Hz) for NE input and 6312 kHz for NE output. These two independent 64 kHz signals coming from outside are converted by the so-called MIOR-J unit into two independent 2048 kHz signals.

User byte and orderwire interfaces

User byte and orderwire interfaces

Alcatel-Lucent 1663 ADMu provides physical overhead access interface ports, using the E1, E2, and F1 bytes on the 10-Gbit/s- and on the 155-Mbit/s interfaces. Four ports are configurable to operate in G.703 or in V.11 mode, and two ports only support V.11 mode. In V.11 mode the interface supports frame clock and bit clock. The interfaces operate in contradirectional mode (timing provided by transport system).

Operations interfaces

Operations interfaces

The Alcatel-Lucent 1663 ADMu offers a wide range of operations interfaces to meet the needs of an evolving Operations System (OS) network. The operation interfaces include:

- office alarm interface

This interface provides a set of discrete relay contacts that controls an offices audible and visible alarms

- user-settable miscellaneous discrete interface

This interface provides 8 user-selectable miscellaneous discrete inputs and 4 control outputs. These miscellaneous discrete inputs and outputs can be used to read the status of external alarm points and to drive external devices. Labels can be associated to an MDI. An MDO can be coupled to an alarm event

- one F interface for a local workstation

One RJ-45 connectorised F-interface is provided, at the connection board of the Alcatel-Lucent 1663 ADMu. This interface provides operation access for a PC-based workstation which is also known as a Craft Interface Terminal (ITM-CIT)

- Q interface

The Q-interface enables network-oriented communication between Alcatel-Lucent 1663 ADMu systems and the element/network manager. This interface uses a Qx interface protocol that is compliant with ITU-T recommendation G.773-CLNS1 to provide the capability for remote management via the Data Communication Channels (DCCs). A connectorised Q LAN 10BASE-T (twisted pair Ethernet, for twisted pair cables) is used for the Q interface.

Local and remote inventory capabilities

The Alcatel-Lucent 1663 ADMu system provides automatic version recognition for all hardware and software that is installed in the system. Circuit pack types and circuit pack codes ('comcodes') are accessible via the local ITM-CIT or via the OMS. This greatly simplifies troubleshooting, dispatch decisions, and inventory audits.

Power interfaces and grounding

Power supply

Two redundant power supply inputs are available per shelf. The supply voltage is -48 V DC to -60 V DC nominal, and the maximum power consumption supported is 850 W. The system powering meets the ETSI requirements ETS 300132-2, *Telcordia*TM Technologies General Requirements GR-1089-CORE and GR-499-CORE. Operation range is -40 V DC to -72 V DC.

System grounding

The Alcatel-Lucent 1663 ADMu subrack has central fixed earthing point (refer to the *Alcatel-Lucent 1663 Add Drop Multiplexer-universal (1663 ADMu) Installation Guide*).

SDH Transmission features

Overview

Purpose

This section gives an overview of the transmission related features of the Alcatel-Lucent 1663 Add Drop Multiplexer-universal (1663 ADMu). For more detailed information on the implementation of the switch function in the NE please refer to [Chapter 4, “Product description”](#).

Network protection

To guarantee service availability a variety of network-protection mechanisms are supported by the Alcatel-Lucent 1663 ADMu. These mechanisms include:

- multiplex section protection (MSP) for STM-10, STM-4, STM-16, and STM-64.
- subnetwork connection protection with non intrusive monitoring (SNCP/N) as path protection or for higher and lower order VCs
- 2-fiber multiplex section shared protection ring (MS-SPRing) at STM-16 and STM-64 level (on 10-Gbit/s and 2.5-Gbit/s interfaces).
- dual node interconnection (DNI) with drop and continue.

A maximum of 50 ms switch time is provided for the above mentioned mechanisms.

- LCAS on GbE
- Spanning Tree Protocol.

Contents

Cross-connection features	2-13
Ring protection	2-14
DNI	2-17
Line protection	2-22
Path protection	2-24

Cross-connection features

Cross-connection rates

Alcatel-Lucent 1663 ADMu supports unidirectional and bidirectional cross-connections for VC-3, VC-4, VC-4-4c, VC-4-16c, and VC-12 payloads. The assignment of unidirectional cross-connection does not occupy or restrict cross-connection capacity or cross-connection types in the reverse direction.

Cross-connection capacity

The overall TDM transmission capacity of the system is determined by the size of the higher-order switch matrix on the Core Units.

On the 2.5G Core Unit the total TDM switch capacity is 68 STM-1 equivalents (10.6 Gbit/s) for higher order and 32 for lower order.

On the SFP based 1 port 2.5G Core Units the total TDM switch capacity is 176 STM-1 equivalents (10.6 Gbit/s) for higher order and 64 for lower order.

On the new quad 2.5G Core Unit the total TDM switch capacity is 272 STM-1 equivalents for higher order and 128 for lower order.

On the mature 10G Core Unit the total TDM switch capacity is 272 STM-1 equivalents (42.3 Gbit/s) for higher order and 64 for lower order.

On the 10G Core Units the total TDM switch capacity is 272 STM-1 equivalents (42.3 Gbit/s) for higher order and 128 for lower order.

On the XFP based dual port 10G Core Units the total TDM switch capacity is 832 STM-1 equivalents for higher order and 128 for lower order.

Ring protection

Alcatel-Lucent 1663 ADMu supports SDH ring protection features:

- SDH: Multiplex Section Shared Protection Ring (MS-SPRing)

MS-SPRing

The following MS-SPRing protection scheme can be configured:

- 2-fiber MS-SPRing STM-64 and on STM-16 interfaces

The protection scheme complies with ITU-T Rec. G.841.

MS-SPRing principle

MS-SPRing is a self-healing ring configuration in which traffic is bidirectional between each pair of adjacent nodes and is protected by redundant bandwidth on the bidirectional lines that inter-connect the nodes in the ring. Because traffic flow is bidirectional between the nodes, traffic can be added at one node and dropped at the next without traveling around the entire ring. This leaves the spans between other nodes available for additional traffic. Therefore, with many traffic patterns a bidirectional ring can carry much more traffic than the same facilities could carry if configured for a unidirectional ring.

Self-healing Rings

Alcatel-Lucent 1663 ADMu MS-SPRings are self healing, that means transport is automatically restored after node or fiber failures. This is realized by using only half capacity for protected traffic (working), reserving the other half of the capacity for back up purpose (protection).

In the event of a fiber or node failure, service is restored by switching traffic from the working capacity of the failed line to the protection capacity in the opposite direction around the ring.

MS-SPRing at STM-16 and STM-64 level

MS-SPRing is a shared protection mechanism, which means that the protection bandwidth is shared by multiple connections. MS-SPRing can operate in a ring network only and it operates at the VC-4 level. The protection is applicable from the node where the VC-4 enters the ring until the node where the VC-4 leaves the ring.

Selective MS-SPRing NUT/NPPA

It is allowed to decide per channel pair (1,9), (2,10) etc. whether or not it is part of the MS-SPRing (selective MS SPRing or NUT/NPPA). An application for this exclusion of a certain pair from MS-SPRing could be to avoid double protection on an connection that is already VC-4 SNC protected and thus save bandwidth.

2 fiber MS-SPRing

The Alcatel-Lucent 1663 ADMu supports 2 fiber MS-SPRing on its STM-16 or STM-64 aggregate interfaces, so it supports 2 fiber MS-SPRing protected STM-16 or STM-64 rings. The maximum number of nodes in the MS-SPRing can be 16, the minimum is 2.

APS/K-byte protocol

The MS-SPRing protocol uses an APS channel for signaling, which is transmitted in K1/K2 bytes in the multiplex section overhead, according to ITU-T Recommendation G.841. The APS/K-byte protocol supports full STM-16 MS-SPRing interworking with the *Metropolis*[®] ADM (Compact shelf), *WaveStar*[®] BWM, *WaveStar*[®] TDM 10 G and LambdaUnit MSS. The protocol provides protection within 60 ms (10 ms defect detection time and 50 ms switching time).

MS-SPRing channels

In MS-SPRing protected rings it is useful to define (bidirectional) channels (time slots). There are 16 such channels in an STM-16 MS-SPRing and 64 in an STM-64 MS-SPRing. A channel can be thought of as the capacity of a single, bidirectional STM-1 that goes fully around the ring in a certain fixed position within the STM-16 or STM-64 connections that make up the ring. Each channel can transport one VC-4 payload in both directions at a time. If a VC-4 is added/dropped from the channel in a node, the channel can pick up a new VC-4 there and carry it further around the ring.

2.5 Gbit/s application

In the MS-SPRing in the 2.5 Gbit/s application, channels #1 through #8 are available for protected VC-4 traffic. They are protected by the capacity provided by channels #9 through #16, on a pair-by-pair basis, so channel #9 protects channel #1, #10 protects #2, etc. up to channel #16 which protects #8. It is allowed to decide per VC-4 or VC-4-4c whether or not it is part of the MS-SPRing.

10 Gbit/s application

In the MS-SPRing in the 10 Gbit/s application, the channels #1 through #32 are available for protected VC-4 traffic. They are protected by the capacity provided by channels #33 through #64, on a pair-by-pair basis, so channel #33 protects channel #1, #32 protects #2, etc. up to channel #64 protecting #32. It is allowed to decide per VC-4, VC-4-4c or VC-4-16c whether or not the pair is part of the MS-SPRing.

An application for this exclusion of a certain pair from MS-SPRing could be to avoid double protection on a connection that is already VC-4 SNC protected and thus save bandwidth.

Useful definitions

To summarize, within an MS-SPRing the bandwidth can be split in three parts: Worker capacity, protection capacity and un-protected capacity. Each channel pair be an unprotected pair or a worker/protection pair. The following table depicts some useful definitions:

Term	Definition
Protected channel	Channel that is protected
Protecting channel	Channel used to protect a worker channel
Unprotected channel	Channel that is not protected but also does not protect other channels
Worker channel	Static first half (2-fiber ring) of the available channels for an SDH transport port
Protection channel	Static second half (2-fiber ring) of the available channels for an SDH transport port

The protection capacity can be accessed and used to transport of low-priority traffic (“extra traffic”), in order to make even better use of the bandwidth. Under failure conditions this traffic will be lost (“pre-empted”).

Parameters for provisioning MS-SPRing

- Set/view switching commands
 - lockout
 - forced switch
 - manual switch
 - clear
- Provisioning protection group
- select VC-4, VC-4-4c or VC-4-16c for participating in ring
- setting the APS/K-byte protocol.

DNI

Alcatel-Lucent 1663 ADMu supports the SDH dual node ring interworking features (DNI) (in collapsed mode) for MS-SPRing and LO-SNCP.

DNI with drop and continue (on protection)

The MS-SPRing protection mechanism offers very efficient protection but since the protection span is limited to a single ring network, a mechanism is needed to couple ring networks in a way that avoids single points of failure, so that longer end-to-end protected paths. This mechanism is called Dual Node Interworking with Drop & Continue.

Advantages DNI

The advantages of using this mechanism are:

- protected interconnection between MS-SPRing rings is possible, which allows longer end-to-end protected spans, without single point of failure on each ring interconnect
- it is possible to interconnect the MS-SPRing scheme with the LO-SNCP scheme, without introducing a single point of failure. This allows the user the flexibility of using the protection scheme of choice in each network part, while avoiding double protection
- the protection mechanisms in different network parts are independent of each other, which results in protection switches that are relatively close to the failure, so it is in principle easier to locate faults.
- a higher availability, compared to end-to-end SNCP protection schemes. Especially on very long connections, more protection against multiple failure is provided (as long as there is at most one failure per protected subnetwork).

Dual Node Interworking with Drop and Continue is a mechanism that is described in ITU-T Recommendation G.842. This mechanism is realized by connecting the two networks in question in two different locations in such a way that if one location fails completely, the traffic can still reach the other network via the second interconnection.

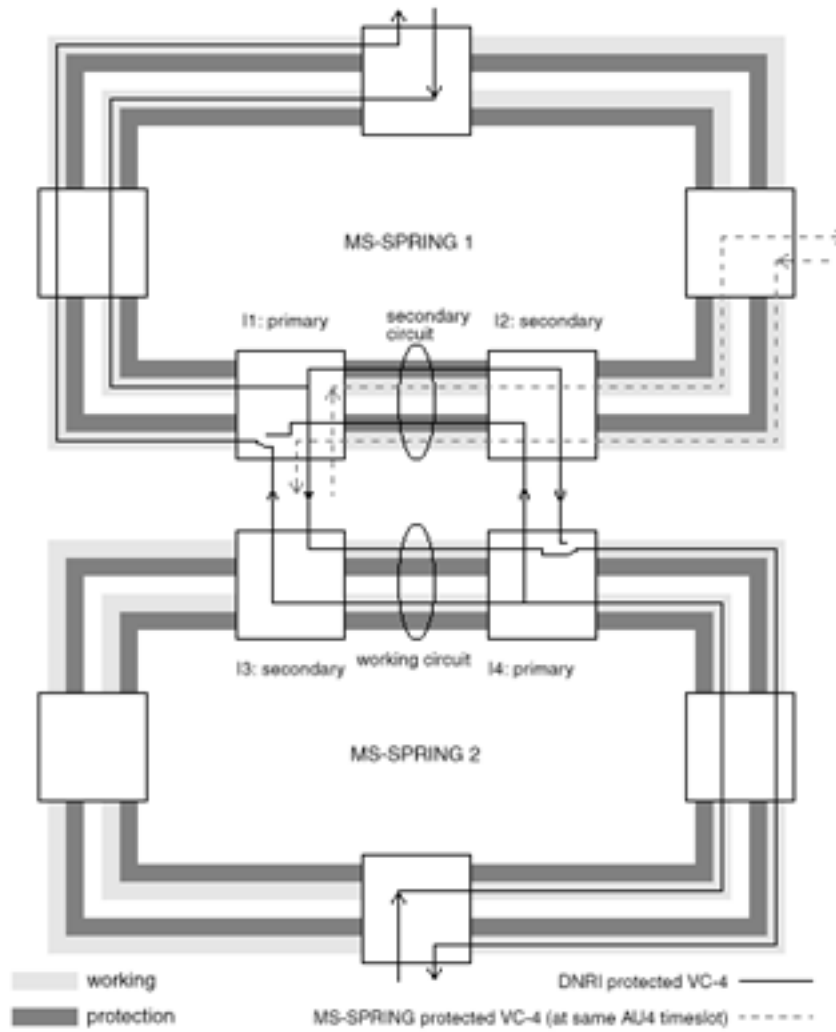
DNI configurations

The Alcatel-Lucent 1663 ADMu supports two different DNI configurations:

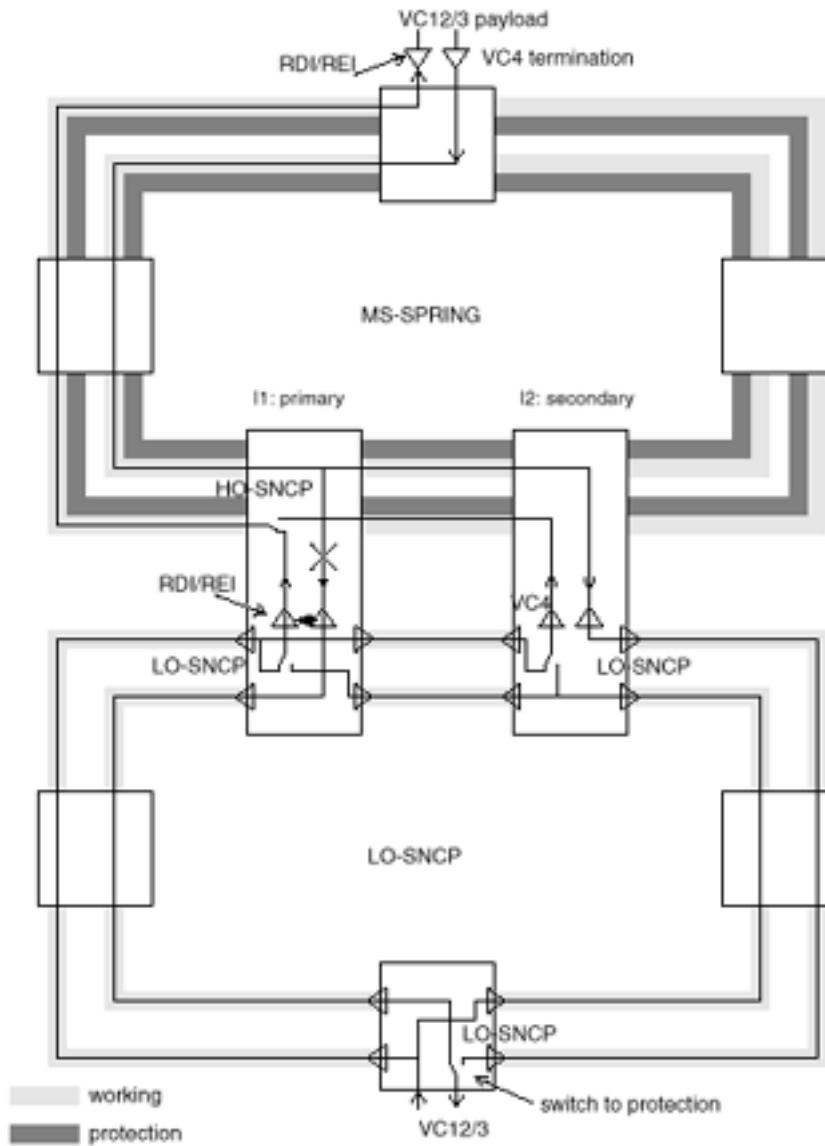
- it is possible to protect the traffic between two STM-N MS-SPRing protected rings by Dual Node Interworking with Drop & Continue. Four Network Elements are involved, two in each ring. Both “same side routing” and “opposite side routing” are supported. It is also possible to select either “working” or “protection” bandwidth to be used to transport the “continue” signal between the primary and secondary ring interconnection node. VC-4 and VC-4-nc pay-loads are both supported. Selection of “primary” and “secondary” nodes and other DNI parameters is on a per VC-4(-nc) basis. This form of ring interconnection can be set up between multiple cascaded rings (see figure 4–8). Note that $n = 4$ or 16 .
- it is possible to support a lower-order SNCP network on the tributary side of two Network Elements in an STM-N MS-SPRing protected ring. For traffic between the MS-SPRing and the LO-SNCP protected networks, Dual Node Interconnection with Drop & Continue can be set-up, to protect against node failures. “Primary” and “Secondary” interconnect nodes can be selected per VC-4. Within the MS-SPRing the “continue” traffic can be carried over protected or protection bandwidth (see figures 4.9). Note that N can be equal to either 16 and 64 .

The MS-SPRing part of the DNI scheme allows the assignment of primary and secondary “add” and “drop” nodes for each individual VC-4. Dropped traffic is broadcast to both primary and secondary outputs (“drop & continue”), while a selector in the primary node selects whether the added traffic from the primary or from the secondary node must be forwarded to the MS-SPRing. This selector is usually called a “service selector” is non-revertive and operates according to the VC-4 SNC/N criteria.

The figure below schematically illustrates DNI between two MS-SPRING rings.



The figure below shows DNI with drop & continue between MS-SPRing and LO-SNCP, in a two node configuration. Traffic flows from MS-SPRing to LO-SNCP.



Features

The following features are supported:

- the traffic between the primary and secondary node in the MS-SPRing can be transported over “worker” capacity or over “protection” capacity, called “continue over worker” and “continue over protection” respectively. The latter option saves bandwidth but leads to slightly lower availability and precludes “extra traffic” to make use of that same capacity.
- upgrading a link that runs between two “adjacent” MS-SPRing protected rings and which is protected on both rings, but which is not protected on the connection between the rings, to a situation where the interconnection is also protected by means of Dual Node Interworking with Drop and Continue. A necessary condition is that a secondary connection between both rings is available and sufficient bandwidth of the right type (working or protection) between the primary and secondary interconnection nodes in both rings is still free
- upgrading a link that runs between “adjacent” MS-SPRing and SNC protected sub-networks and which is protected on both sub-networks, but which is not protected on the connection between them, to a situation where the interconnection is also protected by means of Dual Node Interworking with Drop and Continue. A necessary condition is that a secondary connection between both sub-networks is available and sufficient bandwidth between the two interconnection nodes in both sub-networks is still free
- It is possible to support a lower-order SNCP network on the tributary side of two Network Elements in a STM-N MS-SPRing protected ring. For traffic between the MS-SPRing and the LO-SNCP protected networks, Dual Node Inter connection with Drop & Continue can be set-up, to protect against node failures. "Primary" and "Secondary" interconnect nodes can be selected per VC-4. Within the MS-SPRing the "continue" traffic can be carried over protected or protection bandwidth.
- It is possible to set up a dual node ring interworking scheme with “Drop and Continue” between two SNC protected subnetworks using two Network Elements to join both subnetworks. Both subnetworks use VC-3/12 SNCP.
- primary and Secondary nodes can be selected for each VC-4 transported over the MS-SPRing, both at the entry and at the exit side. These nodes need not be adjacent.

Line protection

Alcatel-Lucent 1663 ADMu supports SDH linear protection features on all optical 10-Gbit/s, 2.5-Gbit/s, 622-Mbit/s and 155-Mbit/s ports.

Per Alcatel-Lucent 1663 ADMu NE at maximum 68 MSPs are supported.

Multiplex Section Protection (MSP)

A 1+1 MSP protection relation can be set up between a pair of STM-1, STM-4 or STM-16 optical tributary interfaces and STM-16 and STM-64 line interfaces. The applied protocol is according to G.841/clause 7.1, and G.841/Annex B (STM-1 and STM-4) and supports both revertive and non-revertive operation and both unidirectional and bidirectional control. In addition, for this interface type, interworking with SONET type MSP is supported in non-revertive operation with unidirectional control.

On Alcatel-Lucent 1663 ADMu NE, tributary MSP pair has below restriction: 2 tributary units with same type seat on adjacent tributary slots (TS1&TS2, TS3&TS4, TS5&TS6, TS7&TS8), then the same position ports on both units can become an MSP pair.

MSP for STM-1o, STM-4, STM-16 and STM-64

1+1 Multiplex Section Protection is a relatively simple scheme to protect an STM-N link between two adjacent SDH network elements (excluding regenerators) by providing dedicated protection capacity. There are different versions of MSP protocol: G.841/Clause 7 (mostly used internationally), G.841/Annex B (Japan) and SONET style according to ANSI T1.105 and Telcordia GR-253-CORE (US, Canada).

To maximize the interworking and application possibilities, the Alcatel-Lucent 1663 ADMu supports G.841/Clause 7 STM-[1, 4, 16, 64] Annex B STM-[1, 4] optical tributary interfaces.

The following parameters can be provisioned and commands can be issued for each 1+1 MSP protection process:

- Operation: revertive operation or non-revertive operation. Revertive operation means that after repair of a failure the traffic is switched back to the “worker” capacity. Non-revertive operation means that after repair of a failure the traffic will not switch back to the “worker” capacity
- Wait-to-Restore time. The time that should elapse before a switch back to “worker” is initiated after repair of a failure. The timer can be provisioned between 0 and 60 minutes in 1 minute increments. The default is 5 minutes. Only available with revertive operation
- Wait-to-Rename time. The time that should elapse after a switch is issued to rename the worker connection. The timer can be provisioned between 0 and 60 minutes in 1 minute increments. The default is 5 minutes. Only available with revertive operation

-
- Control: bidirectional or unidirectional control. Unidirectional control means that each receive end decides separately which traffic stream is active. Bidirectional control means that both ends switch in conjunction. In unidirectional schemes the traffic in one direction may be selected from the “worker” and in the other direction from the “protection” capacity
 - Forced switch command. By issuing a forced switch command the user forces the traffic to either “worker” (force to worker) or to “protection” (force to protection)
 - Manual switch command. By issuing a manual switch command the user requests that the traffic go to either “worker” (manual to worker) or to the “protection” (manual to protection) side. The request is only honored if the designated capacity is not affected by “Signal Fail” or “Signal Degrade” defects.
 - Clear command. Clears all pending requests.

Path protection

Alcatel-Lucent 1663 ADMu supports SDH path protection features on all available cross-connection rates.

SNCP protection switching

Subnetwork Connection protection switching is selectable per VC using non-intrusive monitoring (SNC/N). This protection switching facility is non-revertive.

The VC-n SNC protection scheme is in essence a 1+1 point-to-point protection mechanism. The head end is dual fed (permanently bridged) and the tail end is switched. The switching criteria at the tail end are determined from the server layer defects in combination with the non-intrusive monitoring information.

SNC protection can be applied per individual VC-pair (VC-12, VC-3, VC-4, VC-4-4c and VC-4-16c). For lower-order VCs the total number of VCs that can be SNC-protected is limited only by the capacity of the lower order cross-connect. SNC/N protects against:

- server failures
- open matrix connections (“unequipped signal”)
- an excessive number of bit errors (“signal degrade”)
- misconnections (“trail trace identifier mismatch”)
- trace identifier mismatch (TIM).

Dua Node Interworking (DNI) with drop and continue (D&C)

The DNI with D&C scheme protects the interconnection between two subnetworks within which the traffic is already protected by a network protection scheme. The advantage of using DNI protection in a network is that there are no single point of failure anymore.

DNI is supported in the following cases:

- between two MS-SPRing protected STM-16 or STM-64 rings (4 nodes)
- between an MS-SPRing STM-16 or STM-64 ring and a lower-order SNCP protected subnetwork (2 nodes)
- sub-networks without DNI-protected interconnections can be upgraded in service to provide them with DNI protected interconnections.

SNCP/N

The Alcatel-Lucent 1663 ADMu supports Non-Intrusive Sub-Network Connection (SNC) protection, which is also known as path protection, according to ITU-T Recommendation G.841/Clause 8.

This protection is available at the VC-12, VC-3, VC-4 VC-4-4c, and VC4-16c level. SNC protection is a simple 1+1 protection scheme that only supports unidirectional operation. The big advantage over the MS-SPRing and MSP schemes is that the protection can be applied over the whole VC-n path from source to sink or over multiple parts of the end-to-end path. In this way SNC protection is very flexible.

SNCP/N for HO

The Alcatel-Lucent 1663 ADMu supports VC-4 SNC protection between two arbitrary incoming VC-4, VC-4-4c and VC-4-16c, either arriving via two different line port units or two different tributary port units or via a line port unit and a tributary unit a non-intrusively monitored subnetwork connection protection relation can be set up.

SNCP/N for LO

The Alcatel-Lucent 1663 ADMu supports, as long as the capacity of the lower order cross-connect permits, between two arbitrary incoming VC-3 and VC-12 a non-intrusively monitored subnetwork connection protection relation can be set up.

Non-intrusively monitoring

The SNC protection scheme supported in the Alcatel-Lucent 1663 ADMu is of the non-intrusive monitoring type (SNC/N). This variety not only protects against defects in the server layer (as Inherently monitored SNC or SNC/I does) but also against defects in the VC-n layer itself.

So SNC/N protected VC-4s are protected against:

- AIS or LOP at the AU-4 level (server layer defects)
- against misconnections (trace identifier mismatch VC-4 dTIM) or disconnections (unequipped signal or VC-4 dUNEQ)
- signal degradations (VC-4 dDEG) in the VC-4 itself.

Likewise, SNC/N protected VC-3s and VC-12s are protected against:

- TU3/12-AIS and TU3/12-LOP (server layer defects)
- VC-3/12 dTIM, dUNEQ and dDEG.

Disabling TIM detection

For each SNC process there is an option of disabling detection of trace identifier mismatches. This option allows interworking with equipment that transmits an unknown trace identifier or that uses a different format for the identifier. The Alcatel-Lucent 1663 ADMu supports the 15 byte API plus 1 byte CRC-7 format for its Trail Trace Identifiers (TTIs).

SNC protection for complete end-to-end connection or for sub-network connection

Within the SNC protection mechanism it is possible to protect the complete end-to-end VC-n connection, but it is also possible to protect one or more parts of that connection . When the end-to-end connection is split into multiple parts (which truly creates subnetwork connections), each part can be individually protected by an SNCP scheme.

SNC protection for cascaded SNCP sections

The Alcatel-Lucent 1663 ADMu supports the cascading of two such SNCP sections within one network element. This scheme can be applied for example in cases where the Alcatel-Lucent 1663 ADMu interconnects between a ring over its tributaries and another ring over its aggregates. The protection mechanism in rings can be two cascaded SNCP schemes, which will separating out the protection in both rings. This helps in fault localization, because failures in a ring lead to protection switches in that same ring.

Hold-off timers

The Alcatel-Lucent 1663 ADMu supports “hold-off” timers for SNC protection. For each SNC/N process the user can provision a timer between 0 and 10 seconds in 0.1 second increments, which defines how much time should elapse before an SNC switch is initiated. This mechanism can be applied if several protection schemes are nested. For example a VC-12 SNCP scheme is used on top of an MS-SPRing. Normally, the MS-SPRing reacts within 60 ms (10 ms defect detection time and 50 ms switching time). By provisioning a 100 ms hold-off time on the VC-12 SNC protection, the MS-SPRing is given the opportunity to react to a failure first. This avoids multiple switches.

Commands for SNCP/N protection

The following commands can be issued for each SNCP/N protection process:

- Force switch command. By issuing a force switch the user forces the traffic to either “worker connection” or to “protection connection”
- Manual switch command. By issuing a manual switch the user requests the traffic to either “worker connection” or to “protection connection.
- Clear command. Clears all pending requests.

Ethernet features

Overview

Purpose

This section describes the Alcatel-Lucent 1663 Add Drop Multiplexer-universal (1663 ADMu) Ethernet feature.

References

For more specific information refer to the *TransLAN™ Ethernet SDH Transport Solution Applications and Planning Guide*.

The *TransLAN™ Ethernet SDH Transport Solution – Applications and Planning Guide* presents a detailed overview of the *TransLAN™ Ethernet SDH Transport Solution*, it describes its applications, gives planning information, engineering rules, and technical specifications. Additionally it provides some Ethernet background information.

The *TransLAN™ Ethernet SDH Transport Solution – Applications and Planning Guide* can be ordered at or downloaded from the Customer Information Center (CIC) at <http://www.cic.lucent.com/>, or via your Local Customer Support.

Contents

Ethernet over SDH	2-29
Virtual concatenation	2-38
Spanning tree protocol (STP)	2-44
GARP VLAN Registration Protocol (GVRP)	2-51
Ethernet over SDH applications	2-54
Operational modes	2-62
Tagging modes	2-75
Link Pass Through	2-81
Link aggregation	2-83
IGMP snooping	2-85
IEEE 802.3ah Operations, Administration and Maintenance (OAM)	2-89
IEEE 802.3ah OAM interworking with MRV Fiber Driver	2-93
Static MAC Address Provisioning	2-95
Port provisioning	2-96

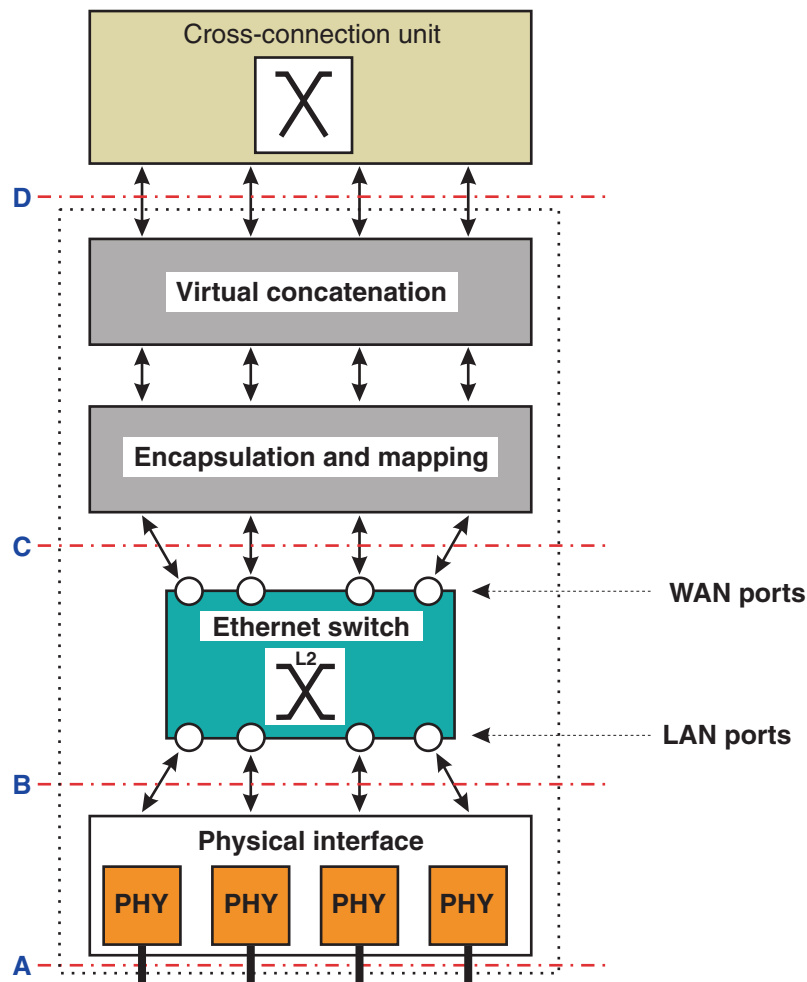
Quality of Service (QoS) overview	2-102
Classification, queueing and scheduling	2-107
Quality of Service provisioning	2-117
TPID (Ethertype) translation	2-120
p-bits/CFI dropping precedence encoding translation	2-122
Performance monitoring	2-132

Ethernet over SDH

Introduction

To connect remote PC LAN network sites via an SDH network without the need for intermediate bridges or routers, the Alcatel-Lucent 1663 ADMu network element is equipped with the Ethernet Interface card. The Ethernet Interface extension card can be a Fast Ethernet card or a Gigabit Ethernet card.

The following figure visualizes the basic design of a *TransLAN*[®] card:



Legend:

- A The external interfaces, to which the end-customer's Ethernet LANs are physically connected.

-
- B The interface between the Ethernet physical interface port and the Ethernet switch. The internal interfaces of the Ethernet switch towards the Ethernet physical interface port are referred to as “LAN ports”. Note that two types of LAN ports can be differentiated according to their port role: “customer LAN ports” and “network LAN ports” (cf. “[Port provisioning](#)” (p. 2-96)).
- C The internal interface between the Ethernet switch and the encapsulation and mapping function. The internal interfaces of the Ethernet switch towards the encapsulation and mapping function are referred to as “WAN ports”. Note that two types of WAN ports can be differentiated according to their port role: “network WAN ports” and “customer WAN ports” (cf. “[Port provisioning](#)” (p. 2-96)).
- D The interface between the encapsulation and mapping function and the cross-connect function of the network element. This is where the virtually concatenated payload is cross-connected to be transported over the SDH network.

The *TransLAN*[®] implementations use standardized protocols to transport Ethernet frames over the SDH network. The Ethernet over SDH (EoS) method and the generic framing procedure (GFP) are used to encapsulate the Ethernet frames into the SDH transmission payload. Virtual concatenation and LCAS are used to allocate a flexible amount of WAN bandwidth for the transport of Ethernet frames as needed for the end-user's application.

Physical interfaces

The physical interface function provides the connection to the Ethernet network of the end-customer. It performs autonegotiation, and carries out flow control.

The following physical interfaces are enabled on Alcatel-Lucent *TransLAN*[®] cards:

- 10BASE-T
- 100BASE-LX10
- 100BASE-TX
- 1000BASE-SX
- 1000BASE-BX
- 1000BASE-LX
- 1000BASE-ZX

The supported LAN interfaces for Ethernet and Fast Ethernet applications are 10BASE-T and 100BASE-TX. The numbers “10” and “100” indicate the bit rate of the LAN, 10 Mbit/s (Ethernet) and 100 Mbit/s (Fast Ethernet) respectively. The “T” or “TX” indicates the wiring and the connector type: Twisted pair wiring with RJ-45 connectors.

The supported LAN interfaces for Gigabit Ethernet applications are 1000BASE-SX, 1000BASE-LX, and 1000BASE-ZX. Again, the number indicates the bit rate of the LAN, 1 Gbit/s (Gigabit Ethernet). “SX” indicates a short-haul interface, “LX” and “ZX” indicate a long-haul interface.

Ethernet switch

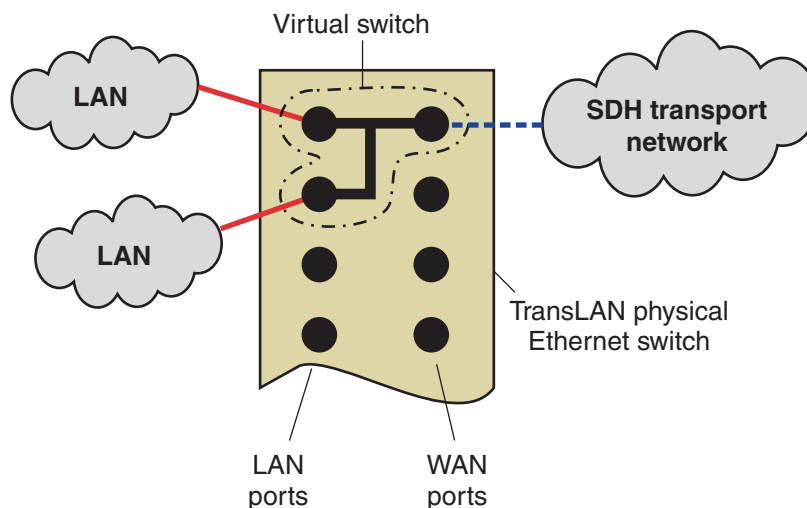
The Ethernet switch connects the LAN ports with the WAN ports. It performs learning, filtering and forwarding according to the IEEE 802.1D standard.

The physical Ethernet switch can be logically split in multiple, independent switches or port groups, called “virtual switch”. In the transparent tagging modes (LAN interconnect, LAN-VPN or LAN-VPN with QoS), also the name “LAN group” is used instead of “virtual switch”.

The following applies to port groups or virtual switches, respectively:

- A virtual switch defines a spanning tree domain, and can be assigned a mode of operation (LAN interconnect, LAN-VPN or LAN-VPN with QoS).
- A virtual switch includes any number (at least 2) of external Ethernet LAN ports and/or internal WAN ports associated with a VC-n-Xv payload.
- Traffic *between* virtual switches is *not* possible.
- Each port can be a member of only one virtual switch at a time.
- A VLAN must have all its port members inside a single virtual switch.

In the following example, a virtual switch is provisioned that connects 2 LAN ports with 1 WAN port:



Supported frame sizes

The Alcatel-Lucent 1663 ADMu supports Ethernet frames of up to 1650 bytes. The LKA412 supports Ethernet frames from 64 to 1650 bytes. The LKA4 supports Ethernet frames from 64 to 2048 bytes.

Depending on the Ethernet units, the following frame sizes are supported:

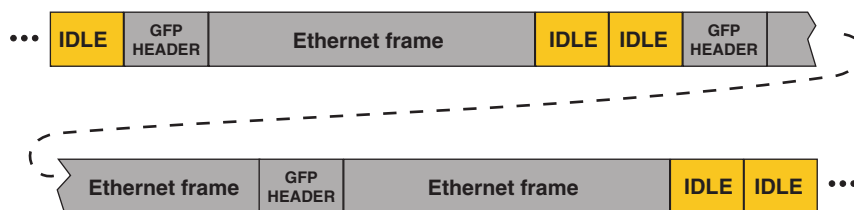
- LKA4: 64 to 2048 bytes.
- LKA412: 64 to 1650 bytes
- LKA12: up to 9022 bytes
- LKA53: up to 9216 bytes (“jumbo frames”)
- LKA58: up to 9216 bytes (“jumbo frames”)

The LKA12 supports Ethernet frames sizes of up to 9022 bytes .The IP-GE/2F-OS (LKA53) GbE *TransLAN*[®] card of the Alcatel-Lucent 1663 ADMu supports Ethernet frame sizes of up to 9216 bytes (“jumbo frames”).

Ethernet encapsulation with GFP

The generic framing procedure (GFP) is used to adapt the asynchronous Ethernet payload to the synchronous SDH server layer.

A GFP-header (8 octets) is prepended to each Ethernet frame to indicate frame length and payload type. Gaps between Ethernet frames are filled with “IDLE” frames (4 octets each).



GFP, standardized by the ITU-T in the recommendations G.7041 and Y.1303, is a very efficient encapsulation protocol because it has a fixed and small overhead per packet.

In earlier versions (prior to the Garnet network release of June 2002) of the *TransLAN*[®] equipment, the Ethernet over SDH (EoS) encapsulation and mapping method is used for VC-12 and/or VC-3 based designs (10/100BASE-T Ethernet / Fast Ethernet cards). EoS is a proprietary encapsulation protocol, based on the ANSI T1X1.5/99-268r1 standard, and can be regarded as a precursor of GFP. EoS and GFP are both length-based encapsulation methods. EoS is similar to GFP in terms of frame delineation and mapping (incl. scrambling); differences between the two encapsulation methods lie in the size and interpretation of the EoS/GFP encapsulation core headers, as well as the length of the Idle frames.

The generic framing procedure, framed mode (GFP-F) compliant to the ITU-T Rec. G.7041 is available on all *TransLAN*[®] products since the Garnet Maintenance / Mercury network release of January 2003.

The following GFP encapsulation are possible:

- Mapping of Ethernet MAC frames into Lower Order SDH VC12–Xv
- Mapping of Ethernet MAC frames into Lower Order SDH VC3–Xv
- Mapping of Ethernet MAC frames into Higher Order SDH VC4–Xv.

VC12-Xv GFP encapsulation

The Alcatel-Lucent 1663 ADMu supports virtual concatenation of Lower Order SDH VC-12 as inverse multiplexing technique to size the bandwidth of a single internal WAN port for transport of encapsulated Ethernet and Fast Ethernet packets over the SDH/SONET network. This is noted VC12-Xv, where X = 1...5. Usage is in conformance with ITU-T G.707 Clause 11 (2000 Edition) and G.783 Clause 12.5 (2000).

This feature implies specific processing of some overhead bytes:

- Source direction: Each individual VC-12 (from the VC12-Xv group) K4-byte (bit 1-2 multiframed) will be written to indicate the values of the multiframe indicator (timestamping), as well as the sequence indicator (individual VC-12 position inside a VC12-Xv)
- Sink direction: Each individual VC-12 (from the VC12-Xv group) K4-byte (bit 1-2 multiframed) multi-framing indicator and sequence indicator is used to check that the differential delay between the individual VC-12s of the VC12-Xv remains within implementation limits.

Additionally, the use of G.707 Extended Signal Label is supported using V5(bits 5-7) field, in which the “101” value is written, which points to the appropriate bits of K4(bit 1) multiframe for writing in the Extended Signal Label value.

VC3-Xv GFP encapsulation

The Alcatel-Lucent 1663 ADMu supports virtual concatenation of Lower Order SDH VC-3 as inverse multiplexing technique to size the bandwidth of a single internal WAN port for transport of encapsulated Ethernet and Fast Ethernet packets over the SDH/SONET network. This is noted VC3–Xv, where X = 1,2 (SDH). Usage is in conformance with ITU-T G.707 Clause 11 (2000 Edition) and G.783 Clause 12.5 (2000) and T1X1 T1.105 Clause 7.3.2 (2001 Edition).

This feature implies specific processing of some overhead bytes:

- Source direction; each individual VC-3 (from the VC3–Xv group) H4-byte will be written to indicate the values of the two-stage- multiframe indicator (timestamping), as well as the sequence indicator (individual VC-3 position inside a VC3–Xv)
- Sink direction; each individual VC-3 (from the VC3–Xv group) H4-byte two-stage-multi-framing indicator and sequence indicator is used to check that the differential delay between the individual VC-3 of the VC3–Xv remains within implementation limits.

Important! Manual/Auto provisioning of encapsulation schemes on GbE for VC3 does not always work seamlessly. Switching between Manual and Auto provisioning of GFP and EoS encapsulation scheme might sometimes get stuck. This can e.g. happen when configuring back from a GFP scheme to EoS on one side only.

Work around: Delete and re-create the corresponding cross-connection.

VC4-Xv GFP encapsulation

The Alcatel-Lucent 1663 ADMu supports virtual concatenation of Higher Order SDH VC-4 as inverse multiplexing technique to size the bandwidth of a single internal WAN port for transport of encapsulated Gigabit Ethernet packets over the SDH/SONET network. This is noted VC4/STS3c-Xv, where X = 1...4.

Usage is in conformance with ITU-T G.707 Clause 11 (2000 Edition) and G.783 Clause 12.5 (2000) and T1X1 T1.105 Clause 7.3.2 (2001 Edition).

This feature implies specific processing of some overhead bytes:

- Source direction; each individual VC-4 (from the VC4–Xv/STS3c-Xv group) H4-byte will be written to indicate the values of the two-stage multiframe indicator (timestamping), as well as the sequence indicator (individual VC-4 position inside a VC4/STS3x-Xv group).
- Sink direction; each individual VC-4 (from the VC4/STS3c-Xv group) H4-byte two-stage-multi-framing indicator and sequence indicator is used to check That the differential delay between the individual VC-4 of the VC-4/STS3c-Xv remains within implementation limits.

Virtual concatenation

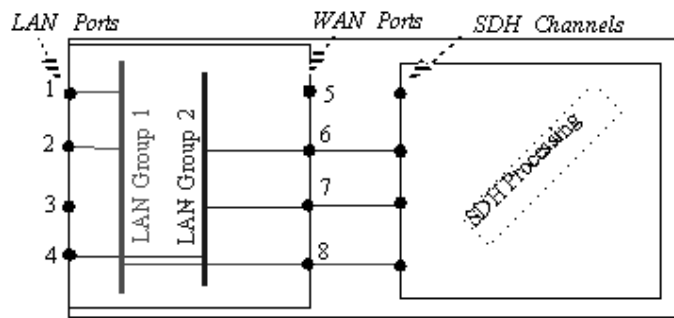
The virtual concatenation function arranges the Ethernet frames into the right SDH virtual container. It is possible to map the client's data signal over a number of grouped virtual containers.

Related information

Refer to [“Virtual concatenation” \(p. 2-38\)](#) for more detailed information.

LAN and WAN ports and VLAN

A VLAN can contain multiple LAN ports and multiple WAN ports.



Multiple LAN ports can be assigned to different VLANs, also mentioned as Virtual LAN's. This keeps the traffic on each VLAN totally separate. VLAN groups are used to connect LAN ports and WAN ports. The LAN ports are the physical 10BaseT or 100BaseT or 100Base-LX10 or gigabit Ethernet ports on the NE. All valid Ethernet packets are accepted (both Ethernet 2 and IEEE 802.3). The WAN ports are the logical connection points to the SDH channels. The LAN port is the interface between the customers Ethernet LAN and the Ethernet switch on the LAN unit. The WAN port is the internal port between the Ethernet switch and the part of the LAN unit where the Ethernet frame is mapped into or de-mapped from SDH payloads.

VLAN trunking

VLAN trunks carry the traffic of multiple VLANs over one single Ethernet link. They allow handling of aggregated LAN traffic from multiple end users, via one single high capacity Ethernet link (Fast Ethernet or Giga Ethernet), to data equipment in a Central Office or an IP Edge Router, IP Service Switch or an ATM Switch. The main benefit of VLAN trunking is that TransLAN cards can hand off end user LAN traffic via one high capacity LAN port instead of multiple low speed LAN ports.

Advantages of VLAN trunking are:

- it does not require the assignment of customer identifiers (CID tags)
- it permits different 802.1 tagged frames to share the same physical LAN port
- it gives additional flexibility for egress logical WAN port assignment
- it permits successfully routing via an aggregation function.

Learning bridges

To increase the efficiency of the network, it can be separated into segments. A bridge, which may have several parts, passes packets between multiple network segments. By noting at which port an Ethernet packet with a certain source address arrives, the bridge learns to which ports a packet with a certain destination address must be sent. If the port

does not know the destination address, then it will send it to all the ports except the port where it comes from. The tables which the learning bridge uses to pass the Ethernet packets to its ports are not shown to the user by the management systems.

MAC-Bridges perform automatic address learning based on the source MAC-address present in each frame.

- In this process an unknown SA of a frame is stored together with the port number over which the frame entered the Bridge to be used when frames with that DA need to be forwarded
- Addresses that are not refreshed (relearned) within the so-called MAC address ageing time, are removed.
- The MAC address table has a size of 8k or 64k in our implementations.

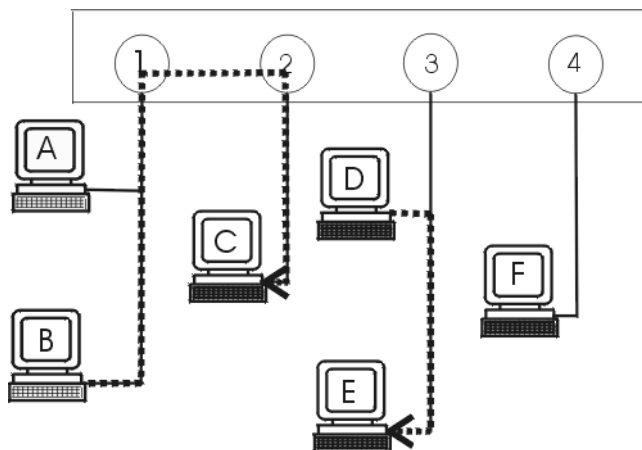
In case more different source address than there is memory space are passing in a specific interval, the MAC address ageing time, addresses are prematurely flushed and possibly need to be re-learned

>The MAC address ageing time is not stable. In switched modes with MAC address learning, (so all but repeater), the long ageing time of 300 seconds is not exactly experienced by the end customer. Ageing time can vary between 240s up to 420s.

This causes some excess traffic as unlearned traffic is broadcasted. Too much unlearned traffic can also affect the learned traffic (because of the broadcasting).

In case end-users make use of Access Routers, they essentially use a single MAC address for all there traffic: problem disappears Large end-users have access routers; small ones have low numbers of MAC addresses (printers, PCs): Scaling problem likely to be non-existent!

Example



After the bridge has received a packet from station C it knows that station C is attached to port 2. When the bridge knows to which ports a station is attached, it will send packets with destination addresses of these stations only to the port the station is attached to (e.g. a packet from station B to station C is only forwarded to port 2). When a destination address of a packet is of a station in its own segment, the packet is not forwarded by the bridge (e.g. a packet from station D to station E).

Quality of service

Refer to [“Quality of Service \(QoS\) overview”](#) (p. 2-102).

Virtual concatenation

The SDH granularity problem

The virtual containers of the SDH have fixed sizes. These virtual containers are important for the transport of Ethernet frames over the SDH network:

- VC-12: 2 Mbit/s
- VC-3: 50 Mbit/s
- VC-4: 150 Mbit/s

It is difficult to fit the Ethernet traffic into one of these virtual containers. For many applications the containers, or contiguously concatenated virtual containers, such as VC-4-4C (600 Mbit/s) for example, are either too small or too big. This is known as the granularity problem.

Virtual concatenation is a mechanism by which a number of independent VCs can be used to carry a single payload. This way, the granularity problem is solved.

The following table shows the possible payload sizes, and the virtual containers that are used for the transport.

Payload	Virtual containers	Concatenation
2 Mbit/s	1 × VC-12	VC-12
4 Mbit/s	2 × VC-12	VC-12-2v
6 Mbit/s	3 × VC-12	VC-12-3v
8 Mbit/s	4 × VC-12	VC-12-4v
10 Mbit/s	5 × VC-12	VC-12-5v
50 Mbit/s	1 × VC-3	VC-3
100 Mbit/s	2 × VC-3	VC-3-2v
150 Mbit/s	1 × VC-4	VC-4
300 Mbit/s	2 × VC-4	VC-4-2v
450 Mbit/s	3 × VC-4	VC-4-3v
600 Mbit/s	4 × VC-4	VC-4-4v
750 Mbit/s	5 × VC-4	VC-4-5v
900 Mbit/s	6 × VC-4	VC-4-6v
1 Gbit/s	7 × VC-4	VC-4-7v

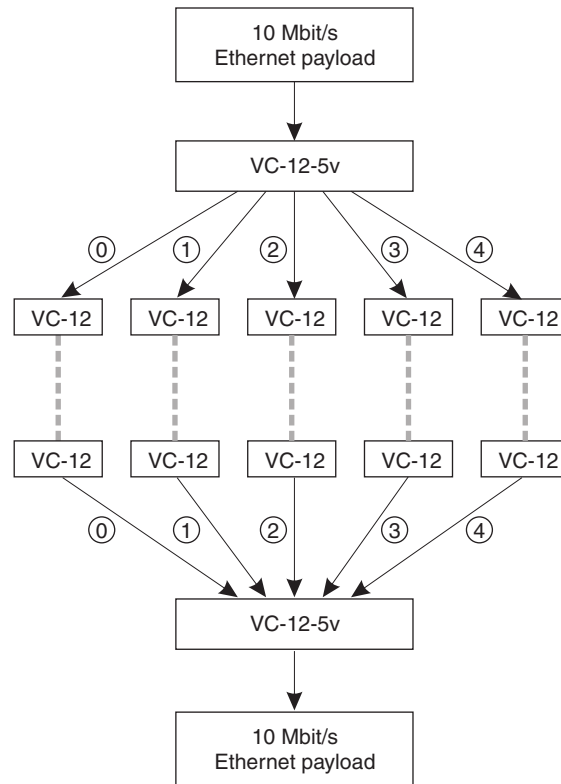
Virtual concatenation

Virtual concatenation can be used for the transport of payloads that do not fit efficiently into the standard set of virtual containers (VCs).

Virtual concatenation splits the contiguous bandwidth into individual VCs, transports these VCs separately over the SDH network, and recombines them to a contiguous signal at the path termination. An important aspect of virtual concatenation is that it *only needs to be supported at the end nodes* (i.e. at the *TransLAN*[®] cards that interface with the end-customer's LAN). The rest of the network simply transports the separate channels.

Example 1

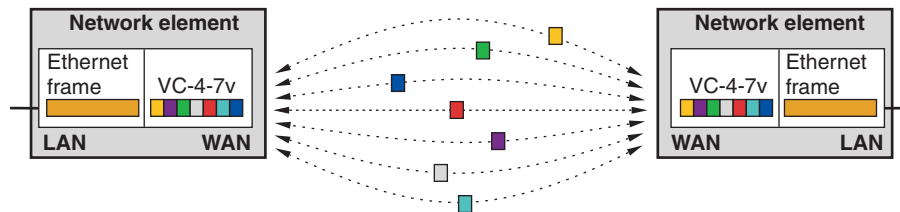
As an example, the following figure shows the virtual concatenation of $5 \times \text{VC-12}$:



The 10 Mbit/s payload is put into a VC-12-5v, i.e. into a virtual concatenation group (VCG) consisting of 5 virtually concatenated VC-12s. These VC-12s can travel the network independently, and do not have to follow the same route. At the endpoint, the VC-12-5v is reassembled, and the payload is extracted.

Example 2

The second example shows the principle of virtual concatenation in a Gigabit Ethernet (GbE) network application. Protection of the virtually concatenated payload is possible via standard SDH transmission protection schemes.



Differential delay

Due to the different propagation delay of the VCs a differential delay occurs between the individual VCs. This differential delay has to be compensated and the individual VCs have to be re-aligned for access to the contiguous payload area.

The *TransLAN*[®] re-alignment process covers at least a differential delay of 32 ms.

LCAS and Ethernet encapsulation mode

There are two new provisionable attributes for the GbE card, LCAS (Link Capacity Adjustment Scheme) and Ethernet Encapsulation Mode.

Ethernet Encapsulation Mode indicates the method of encapsulation for adapting asynchronous Ethernet traffic over synchronous TDM traffic.

For VC3 there are two modes of operation:

- Ethernet over SDH (EoS) for VC3–1v and VC3–2v, which is a Alcatel-Lucent proprietary system, and allows interworking with the current management system supported hardware
- Generic Framing Procedure for VC3–1v and VC3–2v.

For VC4–Xv there is only one available encapsulation mode “GFP”. GFP is a standard and will allow interworking with Lambda Unite and vendor equipment. When LCAS is turned off, EoS is the active encapsulation mode and only VC3 capacity is provisioned; the VC3 should be selected. Otherwise the VC3–1v mode should be selected.

Link Capacity Adjustment Scheme (LCAS)

LCAS is an extension of virtual concatenation that allows dynamic changes in the number of channels in a connection. In case channels are added or removed by management actions this will happen without losing any customer traffic.

LCAS allows a bandwidth service with scalable throughput in normal operation mode. In case of failure the connection will not be dropped completely but only the affected channel(s). The remaining channels will continue carrying traffic. LCAS provides automatic decrease of bandwidth in case of link failure and re-establishment after link recovery.

In case only one end supports (or has turned on) the LCAS protocol, the side that does support LCAS adapts automatically to the restrictions that are dictated by the non-supporting end, i.e. the entire link behaves as a link that does not support in-service bandwidth adaptations.

Bandwidth allocation (GbE)

The GbE unit has a fully flexible internal cross connect. This means that it is impossible to simply request bandwidth. For the GbE card the user selects which VCs to add to the SDH Channel/VCG. In addition the user has the option of substructuring the VC4s into VC3s thus giving additional flexibility as in the other Ethernet cards the substructuring was fixed. The user may select from the following SDH Rates: VC3, VC3-2v, VC4-1v, VC4-2v, VC4-3v and VC4-4v. This gives a range from 50 Mbps to 600 Mbps.

Dynamic bandwidth adjustment (GbE)

One of the major problems with using Virtual Concatenation is that if one of the VCs has a fault and fails the whole signal fails. This means that if a single VC fails the entire SDH Channel/VCG is lost. The GbE card for the Alcatel-Lucent 1663 ADMu network element supports the Link Capacity Adjustment Scheme (LCAS). This LCAS allows dynamic bandwidth increase or decrease without loss of signal. Furthermore, if the signal of one or more of the components becomes degraded then LCAS will autonomously remove those VCs from the group. When the failure is repaired LCAS will automatically return those component VCs to the SDH Channel/VCG.

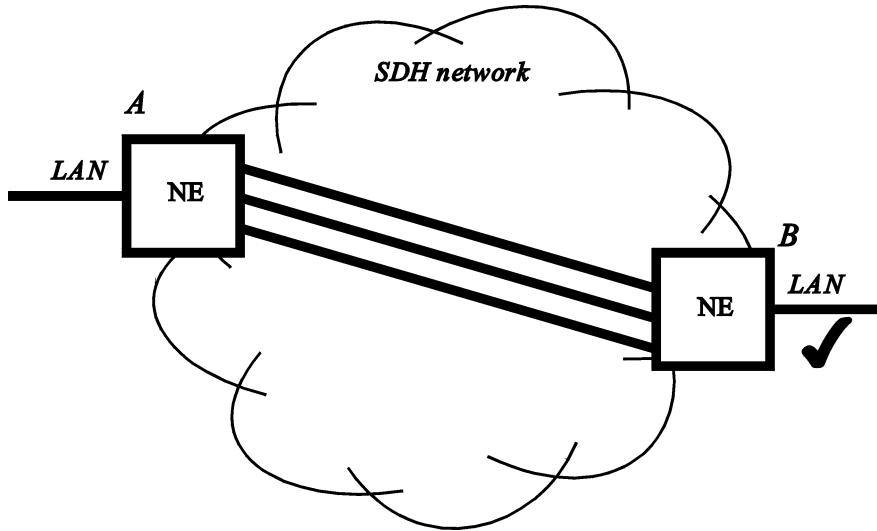
The following table indicates the affect LCAS has on the transmission capacity:

Enabling/disabling LCAS	Capacity no VC-n failures	One or more (but not all) VC-ns failures	All VC-ns fail.
LCAS disabled	Working Capacity = Provisioned Capacity	Working Capacity = 0	Working Capacity = 0
LCAS enabled	Working Capacity = Provisioned Capacity	Working Capacity is reduced by amount of failed VC-ns service degraded.	Working Capacity = 0

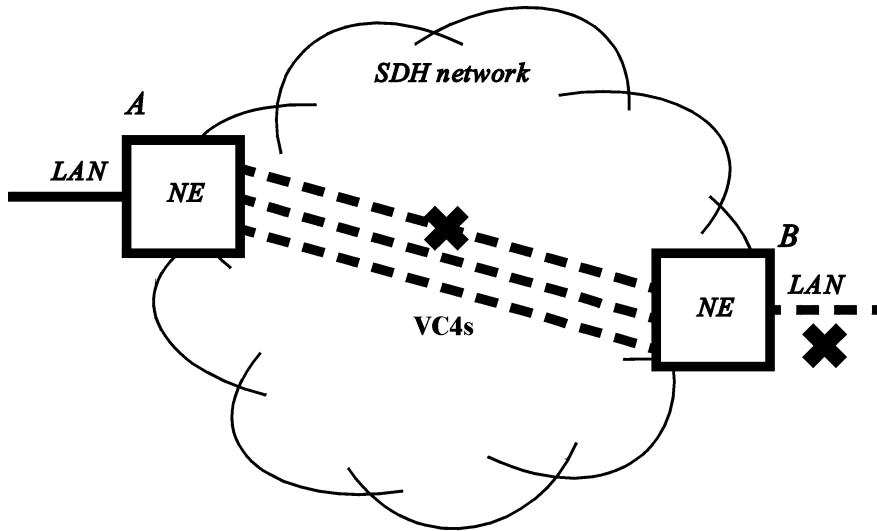
With the introduction of LCAS for VC4-Xv an additional attribute “SDHWorkingCapacity” is needed. The working capacity shows the value of the actual capacity available, this allows the operator to see when service is degraded. The working capacity will also be

displayed for non-LCAS, showing a zero if the signal is degraded on any VC-n. When LCAS is enabled Working Capacity show a zero only when the signal is fully degraded. The next three figures depict the effect of LCAS.

Non-degraded service

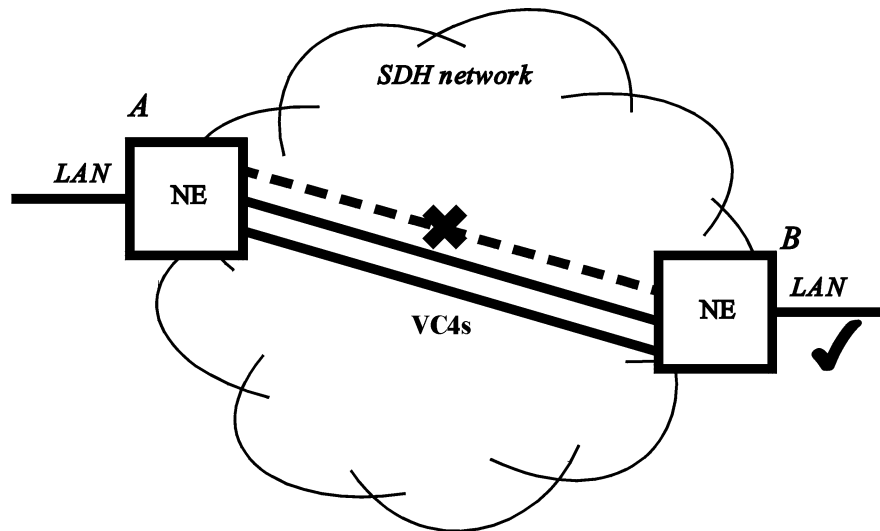


Non LCAS causing degraded service



Single failure causes total signal loss.

With LCAS enabled only signal degradation is caused



Single failure only causes signal degradation.

VC allocation (GbE)

There are 4 x VC-4 TTPs on the GbE card. Each of these can be substructured to VC-3 TTPs or used as VC-4 TTPs. When the operator requests an SDH Channel/VCG he has a choice of various capacities from a single VC-3 (50 Mbit/s) up to VC-4-4v (600 Mbit/s). If the operator requires a bandwidth of say 100 Mbit/s, one of the VC-4 TTPs must be adapted into VC-3 TTPs, and two of these will be virtually concatenated as a VC-3-2v. For the next SDH Channel/VCG the operator will then only have a maximum bandwidth of 450 Mbit/s (VC-4-3v) as this is what is still available.

Spanning tree protocol (STP)

Overview

The spanning tree protocol (STP) is a standard Ethernet method for eliminating loops and providing alternate routes for service protection. Standard STP depends on information sharing among Ethernet switches/bridges to reconfigure the spanning tree in the event of a failure. The STP algorithm calculates the best loop-free path throughout the network.

STP defines a tree that spans all switches in the network; it e.g. uses the capacity of available bandwidth on a link (path cost) to find the optimum tree. It forces redundant links into a standby (blocked) state. If a link fails or if an STP path cost changes the STP algorithm reconfigures the spanning tree topology and may reestablish previously blocked links. The STP also determines one switch that will be the root switch; all leaves in the spanning tree extend from the root switch.

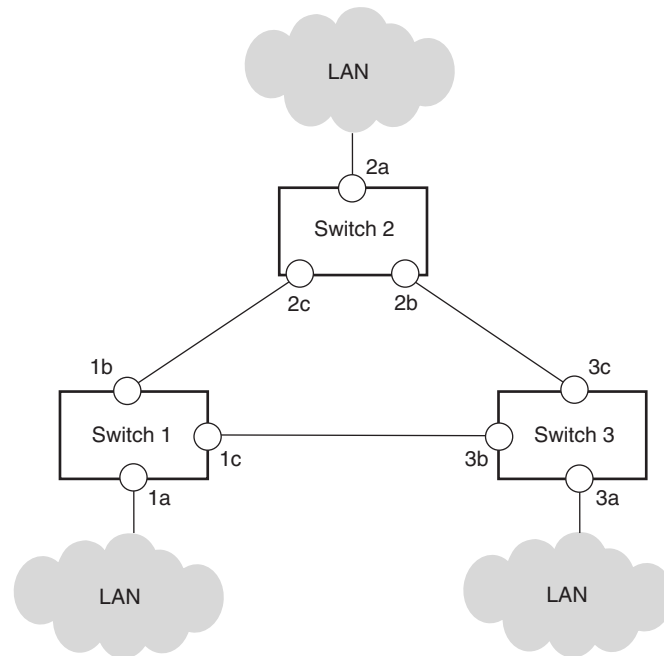
Maximum bridge diameter

The maximum bridge diameter is the maximum number of bridges between any two hosts on the bridged LAN for any spanning tree configuration.

For *TransLAN*[®] applications the maximum bridge diameter is 25 nodes.

Spanning tree example

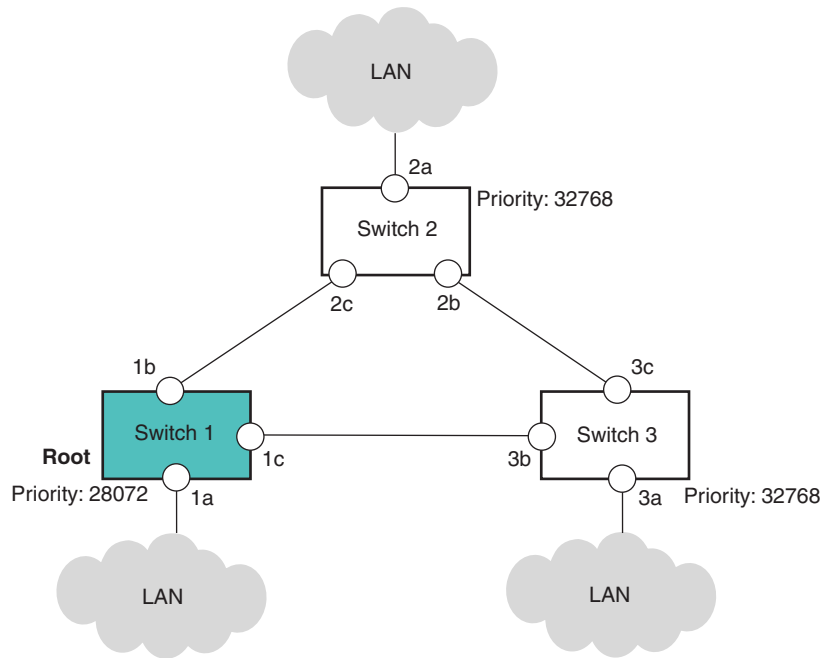
The following example network serves to illustrate the principle how a spanning tree is constructed.



Determination of the root

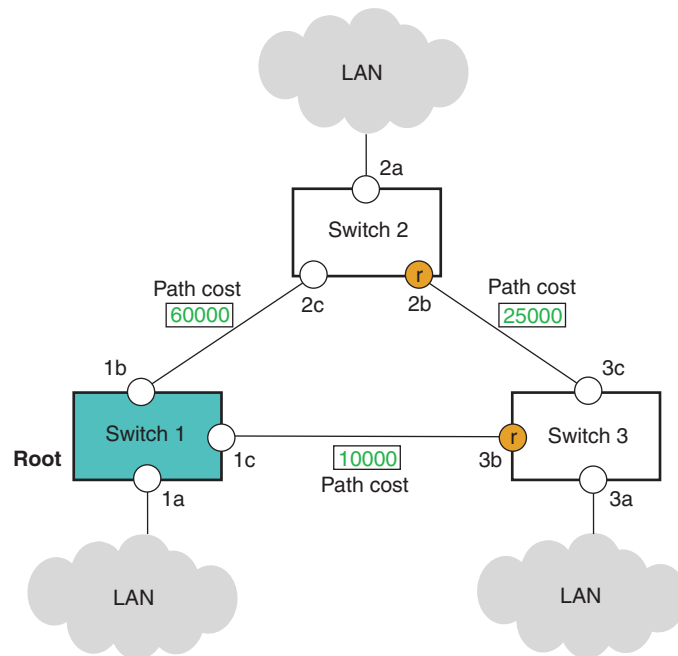
For every switch a priority can be configured. The switch priority is a number between 0 (highest priority) and 61440 (lowest priority) in steps of 4096. The switch with the highest priority will become root.

If there are two or more switches with the same highest priority, then the switch with the lowest number for the MAC address will become root. This rule ensures that there is always exactly one root, as MAC addresses are unique.



Determination of the root ports

Root ports are those ports that will be used to reach the root. For each switch the port with the lowest root path cost is chosen, where the root path cost is determined by adding the path costs to the root. In the example port 2b and 3b are root ports.

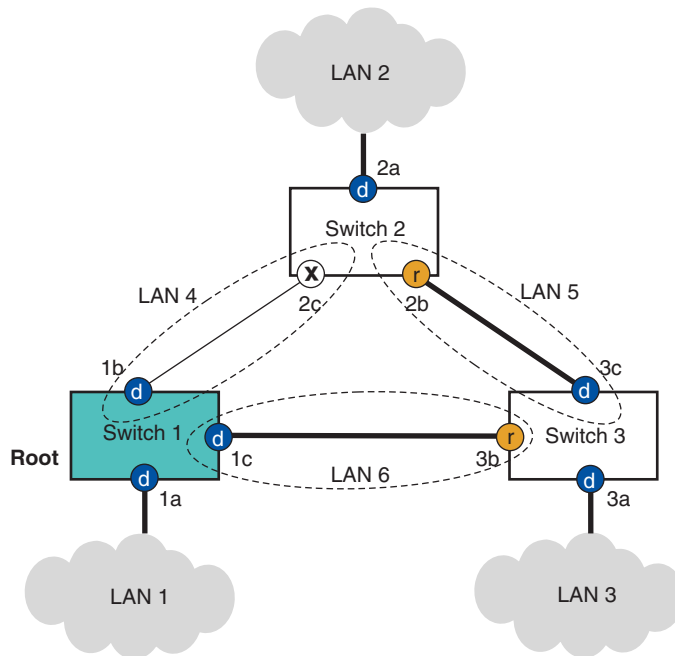


For every port a path cost value can be configured. The default path cost parameter of each port depends on the bandwidth of the link to which the port is connected.

Determination of the designated and blocked ports

The designated port is the one port that is going to be used for a certain LAN. In the example, there are 6 LANs.

The designated ports for LAN 1, LAN 2 and LAN 3 are the ports 1a, 2a and 3a respectively, because these LANs have only one connection to a switch. If there are more connections to a switch, then the port with the lowest root path cost is chosen. Thus the designated ports for LAN 4, LAN 5 and LAN 6 are the ports 1b, 1c and 3c respectively.



Ports that are neither root ports nor designated ports are blocked. In the example port 2c is a blocked port.

Thus the loop free spanning tree is constructed.

Spanning tree protocol (STP)

If more than one bridge is used between segments of the network a bridging loops occur, which cause packets to circulate forever. The spanning tree algorithm avoids the occurrence of these bridging loops. The spanning tree algorithm elects a root node and makes sure that each bridge blocks its ports in such a manner that there is only one path from any given point on the network to the root. In this way a mesh network is reduced to a tree which spans every node. The WAN part of the network formed by the NEs

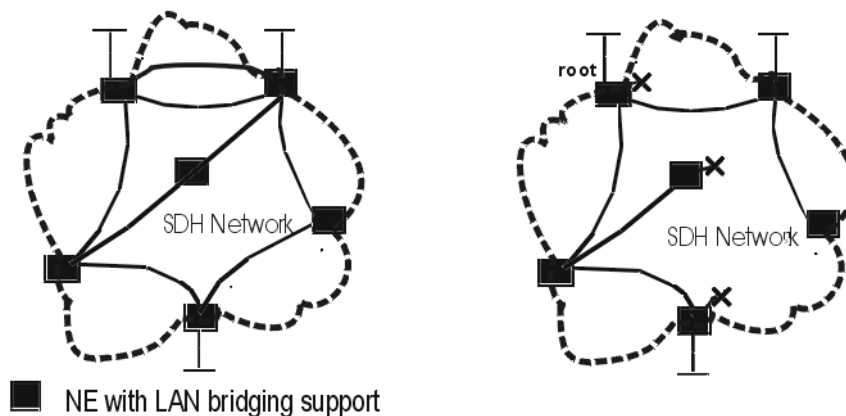
maintains its own spanning tree, independent of the spanning tree maintained on the customer's LANs. Thus the spanning tree protocol behavior is different on the LAN side and the WAN side of an NE.

Due to the spanning tree algorithm meshed configurations can be made to enhance availability (alternative channels if one fails). If multiple VC-n paths are provisioned between two nodes, the spanning tree algorithm closes down SDH channels to avoid loops. Thus the increase of bandwidth for payload due to multiple VC-n paths may not be as expected. So, to increase the capacity of the path use virtual concatenated VC-4s, VC-3s or VC-12s in stead of multiple VC-4, VC-3 or VC-12 paths.

The figure below illustrates an example of SDH ports that are switched off due to the spanning tree algorithm.

WAN port to WAN port connections

Spanning Tree closes some of the ports



STP per virtual switch per operation mode

The *TransLAN*TM board supports a single STP (Spanning Tree Protocol) per Virtual Switch under LAN-interconnect mode and a single STP per VPN under the VPN mode.

In the STP Virtual Switch mode, the *TransLAN*TM board supports a single STP per Virtual Switch. When operating in the Repeater mode, the Ethernet virtual bridge (an instance of the TransLAN Ethernet bridging function) must not participate in an STP.

STP status parameters

In the STP Virtual Switch mode, a number of STP status parameters per Port/Virtual Switch are retrievable/editable. The most important ones are the support of Port State retrieval and the support of Bridge/Port Priority provisioning.

The Port state can have one of the following values:

- Disabled; the port is disabled completely.
- Blocking; BPDUs and normal frames are discarded.
- Listening; BPDUs are processed, but normal frames are discarded. The Filtering Database is not updated.
- Learning; BPDUs are processed, but normal frames are discarded Received.
- Forwarding; BPDUs are processed and normal frames are forwarded.

Path cost provisioning

The system sets a default STP path cost for each link which is inverse proportional to the speed (2, 4, 6, 8, 10, 50 and 100 Mbit/s). BPDUs are capable of carrying 32 bits of Path Cost information; however, IEEE Std. 802.1D, 1998 edition and earlier revisions of this standard limited the range of the Path Cost parameter to a 16-bit unsigned integer value.

The recommended values in IEEE Std. 802.1t-2001, make use of the full 32 bit range available in BPDUs in order to extend the range of link speeds supported by the protocol. In LAN's where bridges that use the recommended values defined in the IEEE Std. 802.1D, 1998 edition and bridges that use the recommended values in IEEE Std. 802.1t-2001 are required to inter-operate, either the older Bridges or the new Bridges need to be reconfigured to make Path Cost values compatible. However, this situation is not likely to occur since the first release of STP in IEEE 802.1Q tagging will support the values recommended in IEEE Std. 802.1t-2001.

Bridge priority provisioning

Ranges and granularities for Port priority defined in IEEE Std. 802.1D, 1998 edition have been modified in IEEE Std. 802.1t, 2001 edition: value range should now be expressed in steps of 4096 instead of 1. The step values chosen ensure that the low-order bits that have been re-assigned cannot be modified (Bridge priority 12 low-order bits have become a 12-bit system ID extension for Multiple Spanning Trees).

The magnitude of the priority values can be directly compared with those based on previous versions of the standard, which ensures full interoperability. Although the NE and management systems support a granularity of 1, it is advised to provision a Port Priority with the new granularity of 4096 to ensure interoperability.

Port priority provisioning

Ranges and granularities for Port Priority defined in IEEE Std. 802.1D, 1998 edition have been modified in IEEE Std. 802.1t, 2001 edition: value range should now be expressed in steps of 16 instead of 1. The step values chosen ensure that the low-order bits that have been re-assigned cannot be modified (Port priority 4 low-order bits are now considered to be part of the Port Number). The magnitude of the priority values can be directly compared with those based on previous versions of the standard, which ensures full

interoperability. Although the NE and management systems support a granularity of 1, it is advised to provision a Port Priority with the new granularity of 16 to ensure interoperability.

Rapid spanning tree protocol (rSTP)

The rapid spanning tree protocol reduces the time that the standard spanning tree protocol needs to reconfigure after network failures. Instead of several tens of seconds, rSTP can reconfigure in less than a second. The actual reconfiguration time depends on several parameters, the two most prominent are the network size and complexity. IEEE802.1w describes the standard implementation for rSTP.

For the special case of multiple cross-connection switches in between the last 60 seconds, a filtering function concerning STP notification is implemented. This repetition filter modifies the hold-off time for recalculation of the STP.

Specific attributes for *TransLAN*[®] STP enhancements:

- Failure Detection - Use SDH-layer failure detection to trigger STP reconfiguration.
- Convergence Time - Key aspects of the message-based IEEE 802.1w/D10 (rSTP) protocol instead of timer-based 802.1D (STP) protocol.
- Support larger network diameter by adjusting the “Maximum Age Timer” parameter and enhanced STP configuration controls and reports.
- Automatic mode detection - The rSTP is supported as an enhancement to STP, it cannot be enabled explicitly. It rather will operate by default and will fall back to STP as soon as it finds peer nodes that do not support rSTP. The STP mode that the bridge elected can be retrieved per port.

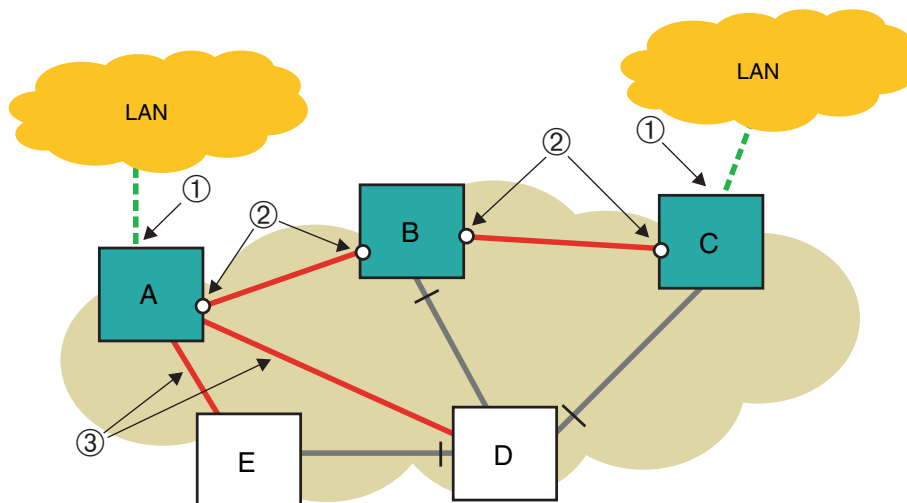
GARP VLAN Registration Protocol (GVRP)

Automatic configuration of VLANs

The GARP VLAN Registration Protocol (GVRP) is a protocol that simplifies VLAN assignment on network-role ports and ensures consistency among switches in a network.

GVRP is supported only in the IEEE 802.1Q / IEEE 802.1ad VLAN tagging modes. In the transparent tagging modes (VPN tagging modes), a similar protocol, the proprietary spanning tree with VPN registration protocol (STVRP) is supported. STVRP is enabled per default and cannot be disabled.

By using GVRP, VLAN identifiers (VLAN IDs) only need to be provisioned on customer-role ports of access nodes. VLAN IDs on network-role ports of intermediate and access nodes are automatically configured by means of GVRP. The provisioned VLAN IDs on customer-role ports are called static VLAN entries; the VLANs assigned by GVRP are called dynamic VLAN entries. In addition, GVRP prevents unnecessary broadcasting of Ethernet frames by forwarding VLAN frames only to those parts of the network that have customer-role ports with that VLAN ID. Thus, the traffic of a VLAN is limited to the STP branches that are actually connecting the VLAN members.



Legend:

- 1 Static VLAN IDs need to be entered manually at customer-role ports.
- 2 Dynamic VLAN IDs of intermediate and access nodes are automatically configured.
- 3 No automatic configuration of VLAN IDs on ports towards those access nodes where the respective VLAN ID is *not* provisioned, i.e. no unnecessary broadcasting of Ethernet frames by forwarding VLAN frames only to those parts of the network that have customer-role ports with that VLAN ID.

Note that GVRP and the spanning tree protocol (STP) interact with each other. After a stable spanning tree is determined (at initialization or after a reconfiguration due to a failure) the GVRP protocol recomputes the best VLAN assignments on all network-role ports, given the new spanning tree topology.

GVRP can be enabled (default setting) or disabled per virtual switch. However, all virtual switches on an Ethernet network need to be in the same GVRP mode. For interworking flexibility one can optionally disable STP per network-role port; implicitly GVRP is then disabled as well on that port. GVRP must be disabled in order to interwork with nodes that do not support GVRP.

Max. number of VLANs

The maximum supported number of active VLANs (VLAN identifiers) is limited for reasons of controller performance, and varies depending on product, tagging mode and GVRP activation status. The following table shows the applicable values. Note that even if the maximum number of active VLANs is limited to 64, 247, or 1024, VLAN identifiers out of the full range of VLAN identifiers (0 ... 4093) can be used for tagging purposes.

Max. number of active VLANs			
Product	Transparent tagging (VPN tagging) mode ¹	IEEE 802.1Q / IEEE 802.1ad tagging mode	
		GVRP enabled	GVRP disabled
<i>Metropolis</i> [®] AM / <i>Metropolis</i> [®] AMS ²	64 VLANs per card	247 VLANs per card	1024 VLANs per NE
<i>Metropolis</i> [®] AMU	64 VLANs per card	247 VLANs per card	1024 VLANs per NE
<i>Metropolis</i> [®] ADM (Compact shelf) ²	64 VLANs per card	247 VLANs per card	1024 VLANs per NE

Max. number of active VLANs			
Product	Transparent tagging (VPN tagging) mode ¹	IEEE 802.1Q / IEEE 802.1ad tagging mode	
		GVRP enabled	GVRP disabled
Alcatel-Lucent 1663 ADMu ²	64 VLANs per card	247 VLANs per card	1024 VLANs per NE (LKA1D, LKA21) 4000 VLANs per NE (LKA20)
		150 VLANs per card	Depending on the number of network ports used, the following limitations need to be observed: <ul style="list-style-type: none"> • 2 150 VLANs per card • 4 130 VLANs per card • 6 110 VLANs per card • 8 95 VLANs per card • 10 85 VLANs per card • 12 80 VLANs per card • 14 70 VLANs per card

Notes:

1. No distinction is made with respect to the STVRP activation status, because STVRP is enabled per default and cannot be disabled.
2. An alarm (`MACcVLANOVFW` – Maximum number of VLAN instances exceeded) will be reported when the max. number of active VLANs per *TransLAN*[®] card is exceeded.
3. The *1675 LambdaUnite*[®] MSS transparent tagging mode rather compares to the provider bridge tagging mode (see “[IEEE 802.1ad VLAN tagging](#)” (p. 2-77)) than to this transparent tagging (VPN tagging) mode.

A maximum number of 4000 active VLANs per network element is supported.

A maximum of 20000 VLAN/port associations is supported per network element (when LKA20 is used). An alarm (`MIBcVLANOVFW` – Maximum number of VLAN instances exceeded in MIB) will be reported when the max. number of VLAN/port associations per network element is exceeded.

Important! Disabling GVRP may have some drawbacks dependent on the network topology.

Ethernet over SDH applications

Purpose

This section gives an introduction to the possible *TransLAN*[®] Ethernet over SDH applications.

Types of applications

Layer-2 switching allows different types of applications, including:

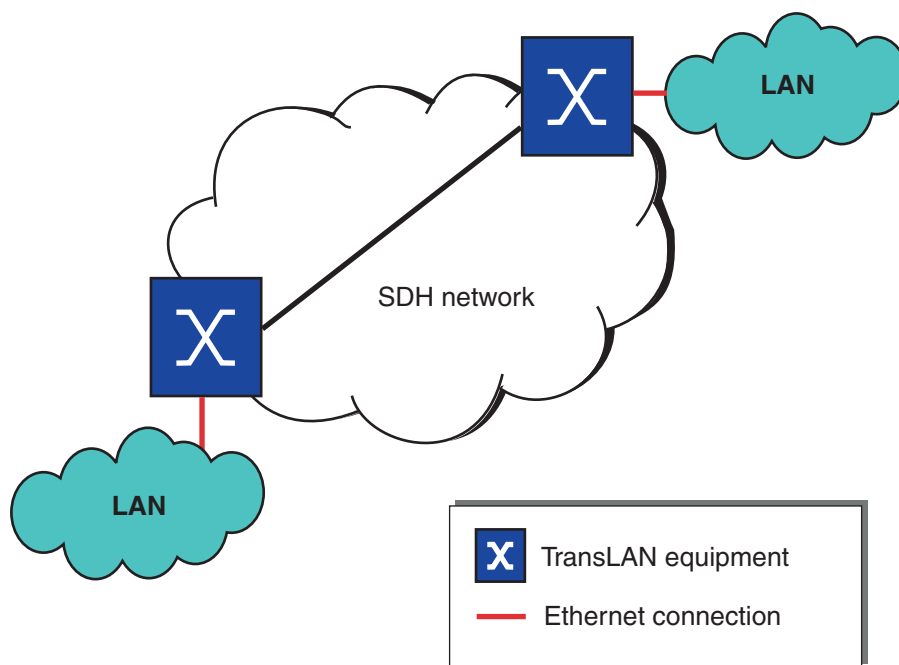
- Ethernet point-to-point transport
- Ethernet point-to-point transport in buffered repeater mode
- Ethernet multipoint transport (dedicated bandwidth)
- Ethernet multipoint transport (shared bandwidth)
- Ethernet multiplexing (VLAN trunking)

TransLAN[®] supports all Ethernet transport solutions. Specific system configuration is required for each network application.

Direct interconnection of two LANs - Ethernet point-to-point transport

The most straight-forward Ethernet application on the *TransLAN*[®] equipment is a leased line type of service with dedicated bandwidth to interconnect two LAN segments which are at a distance that cannot be bridged by using a simple Ethernet repeater, because the collision domain size rules would be violated.

The two interconnected LANs need not be of the same speed; it is possible to interconnect a 10BASE-T and a 100BASE-T LAN this way for example.



Mode of operation

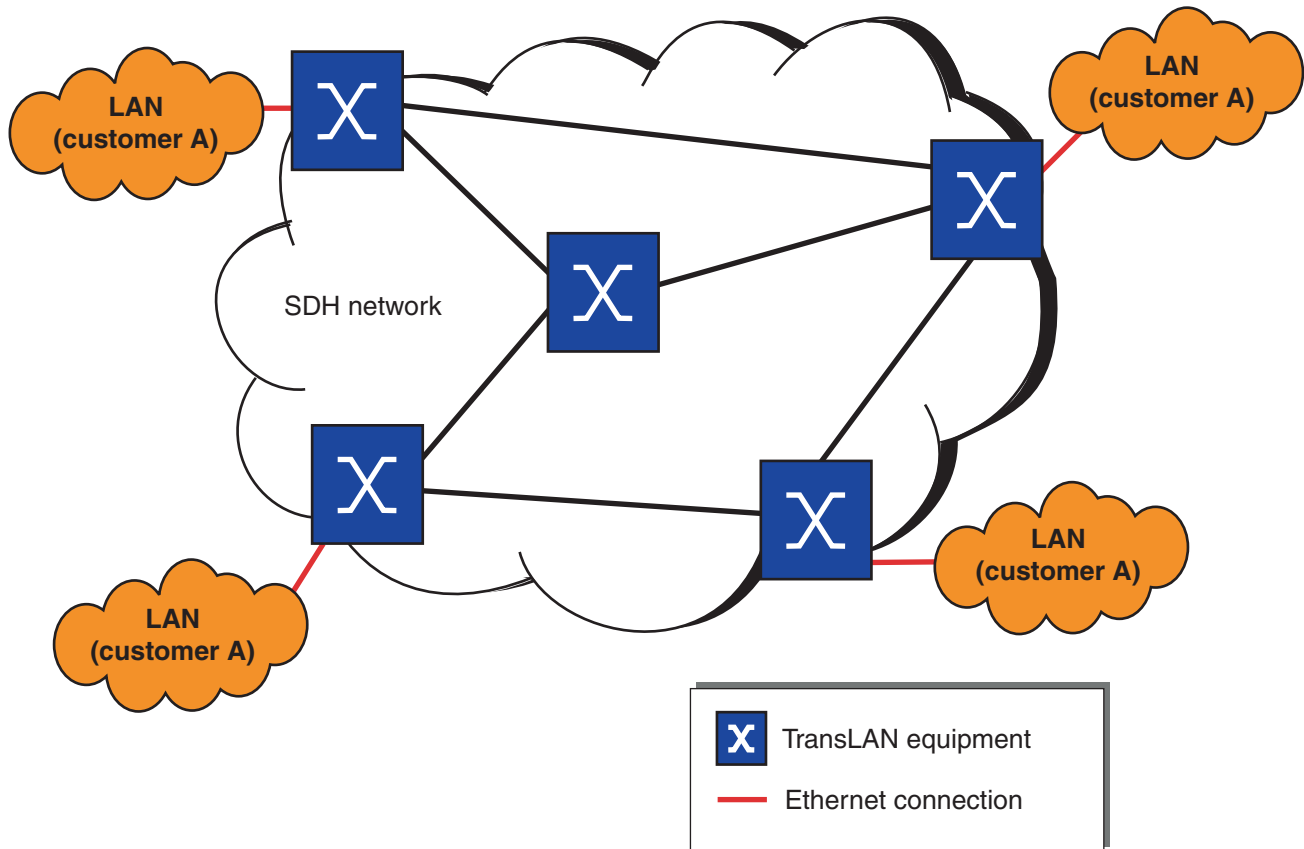
Ethernet point-to-point transport can be realized by using any of the *TransLAN*[®] operational modes. However, the preferred mode of operation for the direct interconnection of two LANs is the repeater mode.

Related information

Refer to [“Repeater mode”](#) (p. 2-64).

Ethernet multipoint transport with dedicated bandwidth

The following figure shows a network example of a multipoint Ethernet over SDH network with dedicated bandwidth:



This multipoint network is dedicated to a single user.

Mode of operation

Ethernet multi-point transport with dedicated bandwidth can be realized by using any of the following *TransLAN*[®] operational modes:

- LAN interconnect mode
- LAN-VPN mode
- LAN-VPN with QoS mode
- STP virtual switch mode compliant with IEEE 802.1Q
- STP virtual switch mode compliant with IEEE 802.1ad (provider bridge mode)

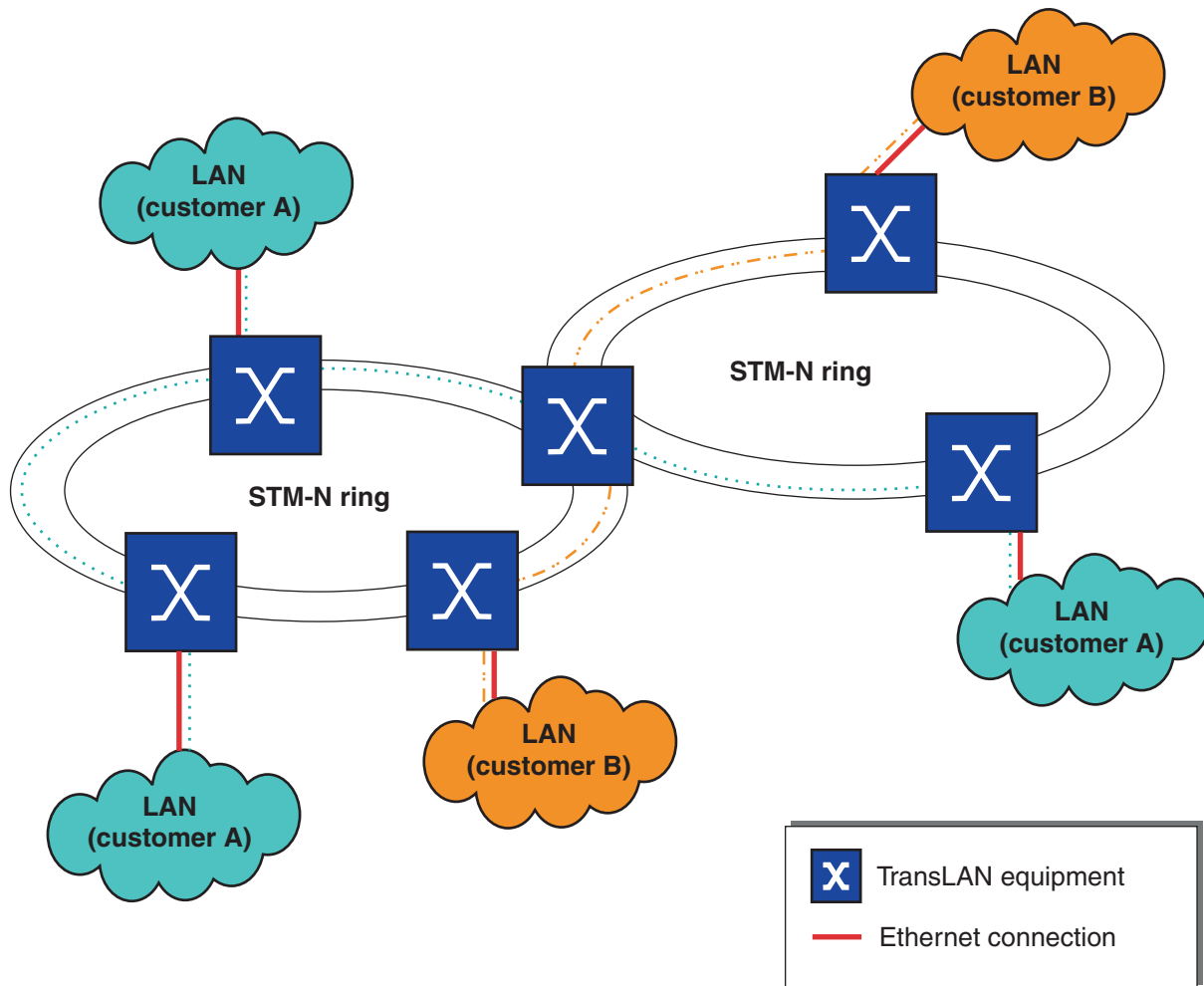
Related information

Please also refer to:

- “IEEE 802.1Q STP virtual switch mode” (p. 2-71)
- “Provider bridge mode” (p. 2-73)

Ethernet multipoint transport with shared bandwidth

The following figure shows a network example of a multipoint Ethernet over SDH network with shared bandwidth:



The SDH capacity is shared among more than one customer in this multipoint network. This allows customer A to use the complete SDH bandwidth at the moment that customer B is inactive, and vice versa. As Ethernet traffic is inherently bursty, sharing bandwidth can increase the efficiency of the network usage.

Isolation of the traffic of different end-users can be accomplished by using transparent tagging or VLAN tagging (see [“Tagging modes”](#) (p. 2-75)), depending on the desired mode of operation.

Mode of operation

Ethernet multi-point transport with shared bandwidth can be realized by using any of the following *TransLAN*[®] operational modes:

- LAN-VPN mode
- LAN-VPN with QoS mode
- STP virtual switch mode compliant with IEEE 802.1Q
- STP virtual switch mode compliant with IEEE 802.1ad (provider bridge mode)

Related information

Please also refer to:

- [“IEEE 802.1Q STP virtual switch mode”](#) (p. 2-71)
- [“Provider bridge mode”](#) (p. 2-73)

VLAN trunking

Trunking applications are a special case of Ethernet multipoint transport, either with dedicated or shared bandwidth.

Trunking applications are those applications where traffic of multiple end-users is handed-off via a single physical Ethernet interface to a router or switch for further processing. This scenario is also called “back-hauling”, since all traffic is transported to a central location, e.g. a point-of-presence (PoP) of a service provider.

Trunking applications can be classified into two topology types:

- Trunking in the hub-node
- Distributed aggregation in the access network

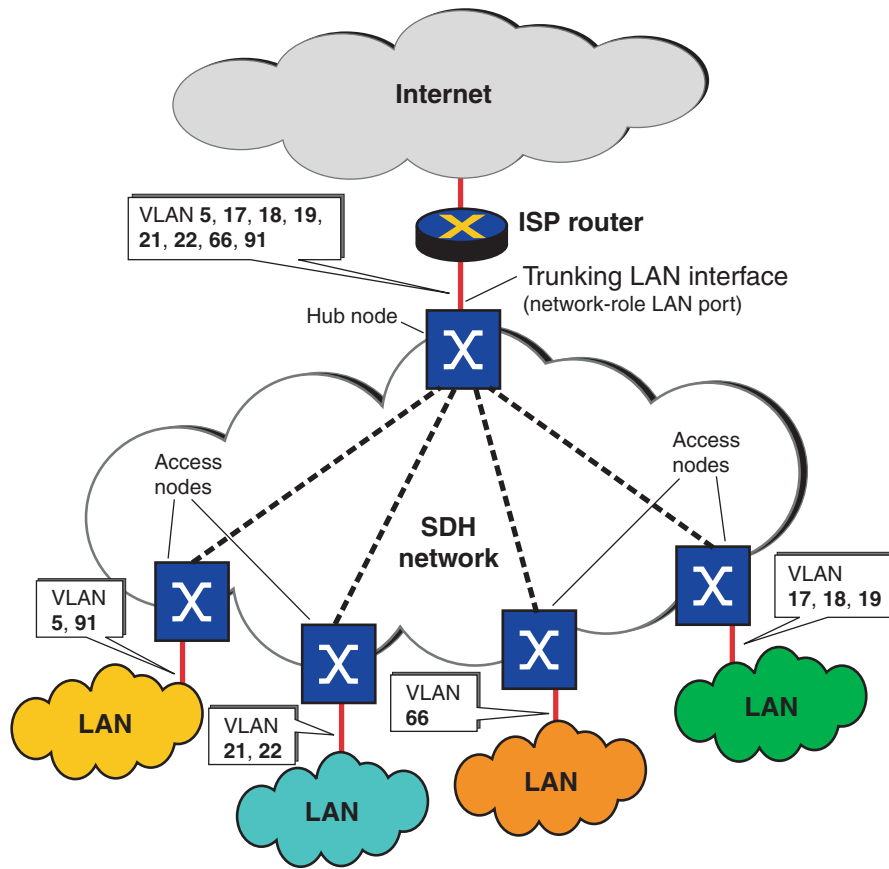
Common to both topology types is that the Ethernet traffic of multiple LANs is aggregated on one or a few well filled Ethernet interfaces, the trunking LAN interface(s). Thus, the Ethernet traffic of multiple end users can be made available to a service provider at a central location via a limited number of physical connections. Without VLAN trunking, each end user would need to be connected to the service provider equipment via his own Ethernet interface.

Trunking applications include the aggregation of Ethernet traffic of a single end user as well as the aggregation of Ethernet traffic of multiple different end users. Isolation of the traffic of different end users can be accomplished by using transparent tagging or VLAN tagging (see [“Tagging modes”](#) (p. 2-75)), depending on the desired mode of operation.

A typical *TransLAN*[®] trunking application would be a configuration where many E/FE access nodes are combined with a trunking GbE hub node (cf. “[Distributed aggregation in the access network](#)” (p. 2-60)).

Trunking in the hub node

This figure shows an example of VLAN trunking in the hub node:



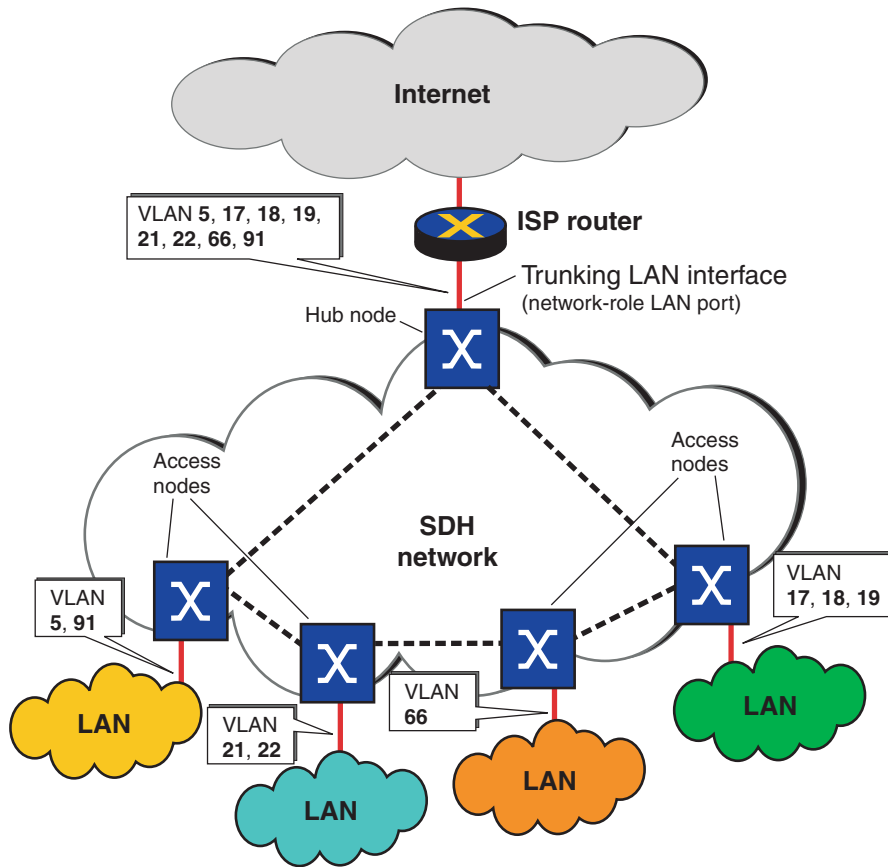
Each access node is individually connected to the hub node over a single SDH connection (or even one SDH connection per LAN port). The trunking LAN interface is a network-role LAN port. The VLAN tags in the Ethernet frames are preserved, i.e. made available to the service provider, and can thus be used for further processing.

A high WAN port density is required in the hub-node.

Averaging of the peak traffic loads of each access node (or LAN port) is not used. Each SDH link bandwidth has to be engineered for the corresponding amount of peak traffic.

Distributed aggregation in the access network

This figure shows an example of distributed aggregation in the access network:



The SDH bandwidth can be shared by many end users, which allows to gain from the statistical affects in the traffic offered by each end-user (“statistical multiplexing”). Thus, the distributed aggregation in the access network configuration is more bandwidth efficient than the trunking in the hub node topology.

Another difference is that in the trunking in the hub-node topology, the hub node has to support many WAN ports, which is not the case in the distributed aggregation in the access network configuration.

A certain bandwidth allocation fairness can be guaranteed by applying ingress rate control in the access nodes. Note that ingress rate control is *not* supported on GbE *TransLAN*[®] cards but only on E/FE *TransLAN*[®] cards.

Mode of operation

Trunking applications can be realized by using any of the following *TransLAN*[®] operational modes:

- LAN interconnect mode (dedicated bandwidth only)
- LAN-VPN mode
- LAN-VPN with QoS mode
- STP virtual switch mode compliant with IEEE 802.1Q
- STP virtual switch mode compliant with IEEE 802.1ad (provider bridge mode)

Related information

Please also refer to:

- [“IEEE 802.1Q STP virtual switch mode” \(p. 2-71\)](#)
- [“Provider bridge mode” \(p. 2-73\)](#)

Operational modes

Overview of operational modes

These *TransLAN*[®] operational modes exist:

- Repeater mode
- Proprietary VPN modes:
 - LAN interconnect mode
 - Multipoint LAN bridging mode (“LAN-VPN mode”, “MLAN mode”)
 - Multipoint LAN bridging mode enhanced with IEEE 802.1p QoS functions (“LAN-VPN with QoS”, “MLAN_QoS mode”)
- Standard compliant IEEE modes:
 - STP virtual switch mode compliant with IEEE 802.1Q
 - STP virtual switch mode compliant with IEEE 802.1ad (“Provider bridge mode”)

Virtual Switch operation mode

When the transparent tagging mode has been selected on the Ethernet Interface card (LAN unit) level, a different Virtual Switch operational mode must be chosen per Virtual Switch. The Virtual Switch can be configured in the following operation modes:

- Repeater
- LAN-interconnect
- LAN-VPN (MLAN)
- LAN-VPN (MLAN) with QoS.

When the IEEE802.1Q/IEEE 802.1a tagging mode has been selected, the operation mode of the Virtual Switch is always Spanning Tree.

The physical Layer 2 (L2) switch that is present on an Ethernet LAN tributary board can be split into several logical or virtual switches. A Virtual Switch is a set of LAN/WAN ports on an Ethernet LAN tributary board that are used by different VLAN's which can share the common WAN bandwidth. Each of the virtual switches can operate in a specific Virtual Switch mode depending on the VLAN tagging scheme, and each Virtual Switch mode allows specific LAN-WAN port associations as explained in the following paragraphs.

First the VLAN tagging mode has to be specified on LAN unit level, this can be either IEEE 802.1Q/IEEE 802.1a VLAN tagging or VPN tagging. In VPN tagging mode, end-user VLAN tags that optionally may appear in the end-user traffic are ignored in the forwarding process. These VLAN tags are carried transparently through the "TransLAN Network". In VLAN-tagging mode, the VLAN tags are also carried transparently, but the

VLAN ID in the VLAN tags is used in the forwarding decision. Therefore customers' VLAN IDs may not overlap on a physical Ethernet switch, the VLAN IDs must be unique per switch pack. (FEP 1_188_14221)

After having provisioned the tagging mode, per virtual switch a different Virtual Switch operational mode may be chosen. The Ethernet LAN tributary board supports either the Repeater mode, LAN-Interconnect, LAN-VPN, and Spanning Tree Protocol Virtual Switch mode of operation. IEEE 802.1D MAC forwarding and address filtering, multi-point bridging and spanning tree protocol (STP) are supported under all modes of operation, except the Repeater mode.

The following table gives an overview of the different modes and a list of the corresponding supported functionality:

VLAN Tagging Mode	Virtual Switch Mode	Ethertype/TPID	QoS_CQS (Quality of Service - Classification Queueing Scheduling)	Dynamic VLAN Registration Protocol	Spanning Tree Implementation
valid per pack	valid per unit				
VPN Tagging	Repeater	N/A	N/A	N/A	No STP
	LAN Interconnect (Dedicated Bandwidth)	N/A	N/A	STVRP	Multiple STP
	LAN-VPN (Shared Bandwidth)	N/A	N/A		
	LAN-VPN with QoS	N/A	enabled		
IEEE 802.1Q/IEEE 802.1ad VLAN tagging	Spanning Tree Switched Network	600 ... FFFF, except for 8100	disabled	GVRP	Single STP
			enabled		
		8100	enabled		
	Repeater	600 ... FFFF, except for 8100	disabled	N/A	No STP

The following table gives an overview of the different modes and a list of the corresponding supported functionality:

VLAN Tagging Mode	Virtual Switch Mode	Ethertype/TPID	QoS_CQS (Quality of Service - Classification Queueing Scheduling)	Dynamic VLAN Registration Protocol	Spanning Tree Implementation
valid per pack	valid per unit				
IEEE 802.1Q/IEEE 802.1ad VLAN tagging	Spanning Tree Switched Network	600 ... FFFF, except for 8100	[enabled]	GVRP	Single STP
8100	[enabled]				
Repeater	600 ... FFFF, except for 8100	[disabled]	N/A	No STP	

Interoperability of operational modes

Virtual Switches that are configured in the same operational mode can interwork. Virtual Switches not configured in the same operational mode do not interwork in all cases. If a Virtual Switch is configured in the “Repeater” mode or the “STP Switch” mode, it can only interwork with Virtual Switches that are configured in the same mode.

Interworking between a remote LAN-interconnect virtual switch and a VPN virtual switch is not prohibited, because the LAN-interconnect mode can be seen as a special case of the VPN mode.

Repeater mode

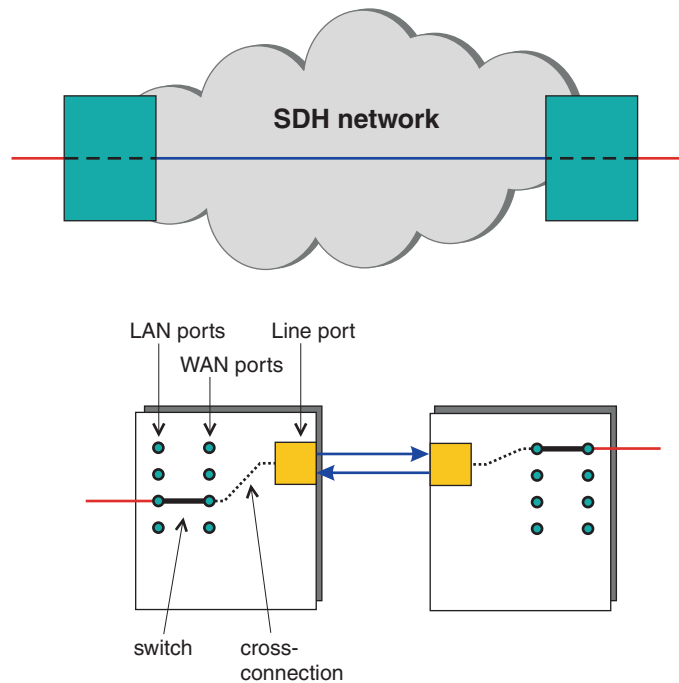
A virtual switch in repeater mode consists of exactly *one LAN port* and *one WAN port* in a fix 1:1 relationship. All Ethernet frames entering the virtual switch at a LAN port are transparently forwarded to the corresponding WAN port and transported over the network with specific limitation for LKA412 described in chapter *Provisioning a virtual switch in repeater mode* of *User Operations Guide*. None of the standard IEEE Std 802.1D/Q processes (MAC address learning, MAC frames forwarding and filtering, VLAN classification and filtering) applies. Received frames are relayed to the other port of the virtual switch, irrespective of their format or contents.

The Repeater mode is simplest LAN unit application supporting a point-to-point connection. The 10BASE-T/100BASE or 1 Gigabit/s LAN ports at both ends of the Ethernet Interface card are "plug-and-play" devices and no provisioning is necessary, except that they need to be associated with WAN ports at both ends via a Virtual Switch. The Ethernet Interface only supports symmetric flow control. Under the Repeater mode of operation, a Virtual Switch contains only one LAN port and one WAN port. In this mode no MAC filtering takes place.

The WAN port that supports the Repeater mode requires the provisioning of the following parameters:

- WAN port capacity; for the Fast Ethernet card requires manual provisioning at 2, 4, 6, 8, 10, 50 or 100 Mbit/s and for the Gigabit Ethernet card requires manual provisioning at VC-12, VC-12, VC-4-4c, VC-4 and VC-3.
- association of the WAN port to a LAN port
- create cross-connections between VC-X and TU-X (where X=12 or 3).

The following figure shows the network element configured in the Repeater operation mode.



A virtual switch in repeater mode emulates an Ethernet repeater except that it

- breaks-up the collision domains,
- removes the length limitation of CSMA/CD LANs, and
- also works in full-duplex mode.

Synonyms

The *TransLAN*[®] repeater mode of operation is often also referred to as “promiscuous mode” or “buffered repeater mode”.

Intended use

The repeater mode is only intended to be used in point-to-point configurations to offer a leased-lines type of service. The repeater mode is supported by E/FE as well as GbE *TransLAN*[®] cards.

Configuration rules and guidelines

Observe these configuration rules and guidelines:

- The use of the repeater mode is limited to virtual switches consisting of exactly *one customer LAN port* and *one network WAN port*. Only point-to-point connections are supported.
- *No* customer identifier (CID) can be configured.
- It is *not* possible to provision QoS functions.
- Flow control can be enabled or disabled per LAN port.
- *No* WAN port configurations are possible.
- When a virtual switch is switched from any of the other operational modes into repeater mode, then all VLAN and QoS configuration information will be reset. When the virtual switch is switched back again into the previous mode, then these configuration settings will *not* become operational again but must be provisioned again.

The Ethernet packets are carried across the SDH network in a channel. When using the Fast Ethernet card, each channel comprises up to 5 VC12 or up to 2 VC3 concatenated. These VC12s and VC3s behave in the same way as normal SDH VC12s from an E1 port or SDH VC3s from an E3 port. There is some buffering in the NE, but it is still possible to lose packets because the channel bandwidth can be less than the Ethernet traffic rate. When using the Gigabit Ethernet card, each channel comprises VC-12, VC-4–4c, VC-4 or VC-3.

Flow control

The *TransLAN*[®] cards support flow control compliant to IEEE 802.3, Annex 31A/B.

The purpose of flow control is to prevent the loss of frames. Flow control on a LAN port of a *TransLAN*[®] card is the ability of this port to request its peer to temporarily stop sending traffic. The pause operation as specified in Annex 31B of the IEEE 802.3 standard is used for flow control purposes.

Pause operation is a transmission control mechanism between the two peers of a point-to-point connection to match the throughput of the sending and receiving device. If the receiving device at one end becomes congested, then pause control frames are sent back to the sending device at the opposite end of the link. As a consequence the sending device delays the transmission, i.e. waits the requested time before sending more data. The receiving device can also send back a frame with a time-to-wait of zero, requesting the sending device to resume transmission.

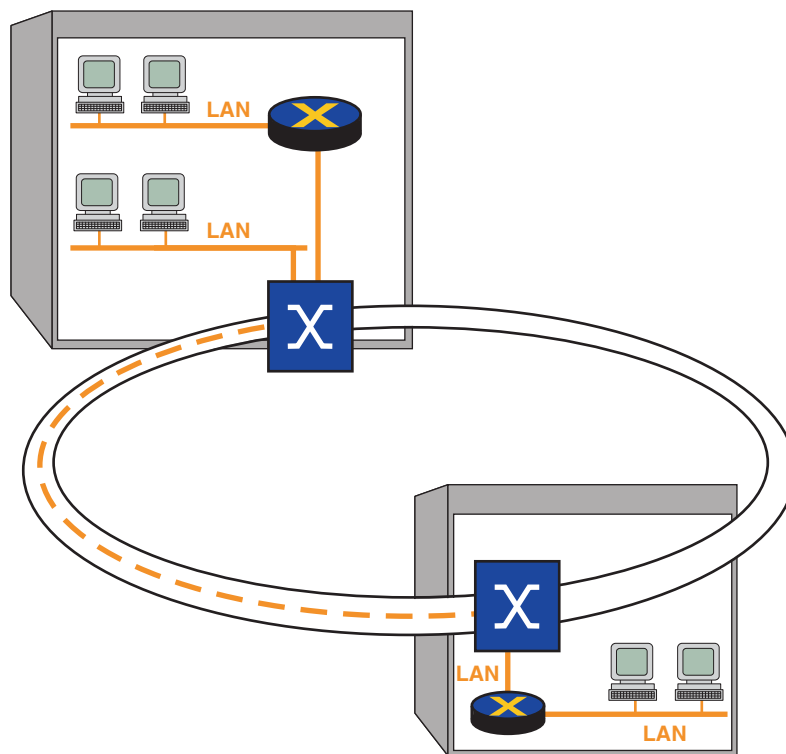
Flow control can be enabled or disabled for point-to-point connections. Enabling of flow control means that the flow control mode is autonegotiated between the two peers of a point-to-point connection.

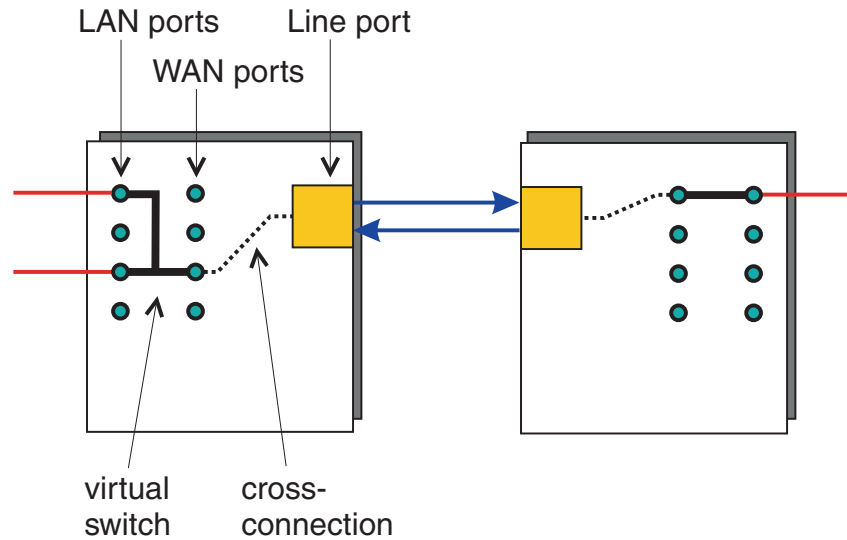
Important! Flow control is *solely* available for point-to-point topologies, and *only* in full duplex mode.

LAN-interconnect mode

The LAN-interconnect mode of operation offers dedicated WAN bandwidth to a single end-user. Under the LAN-interconnect mode of operation, a Virtual Switch must only contain LAN ports with the same CID (Customer ID) to ensure the entire WAN port bandwidth allocated for the group is dedicated to a single end-user. Any combination of LAN- and WAN-ports is allowed, but with a minimum of two ports to be meaningful.

The following figure shows the network element configured in the LAN-interconnect operation mode.





The Ethernet packets are carried across the SDH network in a channel. When using the Fast Ethernet card, each channel comprises of up to 5 VC12 or of up to 2 VC3 concatenated. These VC12s and VC3s behave in the same way as normal SDH VC12s from an E1 port respectively normal SDH VC3s from an E3 port. When using the Gigabit Ethernet card, each channel comprises of VC-4 or of VC-3.

This operation mode support the following features:

- Learning bridges
- Spanning tree
- Additional SDH bandwidth
- Virtual Switch and
- CID (Customer Identifier).

Special case of the LAN-VPN mode

The LAN interconnect mode of operation is a special case of the LAN-VPN operation. In the LAN interconnect mode a virtual switch may contain LAN and WAN ports of a single user only.

The *TransLAN*[®] cards can support both modes of operation simultaneously as long as the corresponding virtual switches do *not* include the same WAN ports.

Configuration rules and guidelines

Please observe these configuration rules and guidelines:

- On LAN ports the CID needs to be provisioned manually.

The permitted CID value range is [0 ... 4093]. However, note that only values out of the value range [1 ... 4093] can be used to identify a user while the value “0” cannot. The corresponding LAN port is disabled if the CID is set to “0”.

- In the LAN interconnect mode, the virtual switch is dedicated to a single customer. Therefore, all LAN ports of a virtual switch must have the *same* customer identifier (CID).
- In the LAN interconnect mode, LAN ports are always customer-role ports, and WAN ports are always network-role ports (see “[Port provisioning](#)” (p. 2-96)).

Important! The LAN interconnect mode will no longer be supported in a future release. Therefore, it is recommended to use the LAN-VPN mode (with or without QoS) or the IEEE 802.1ad STP virtual switch mode (Provider bridge mode) instead.

LAN-VPN (M-LAN) mode

Under the LAN-VPN (Virtual Private Network) operation mode, a number of LAN- and WAN ports are grouped together to form one virtual switch. The Virtual Switch contains LAN ports of multiple end-users sharing the same WAN port(s) bandwidth. To safeguard each individual end-user's data flow and to identify an end-user's VPN from the shared WAN, the Ethernet Interface card assigns a CID to each LAN port within a Virtual Switch. The CID of each end-user (or LAN port) must be unique within a shared WAN port to create a fully independent VPN. The VPN provisioning on the WAN ports on the access and intermediate nodes is done automatically by the proprietary protocol STVRP (Spanning Tree with VPN Registration Protocol) that runs without operator intervention.

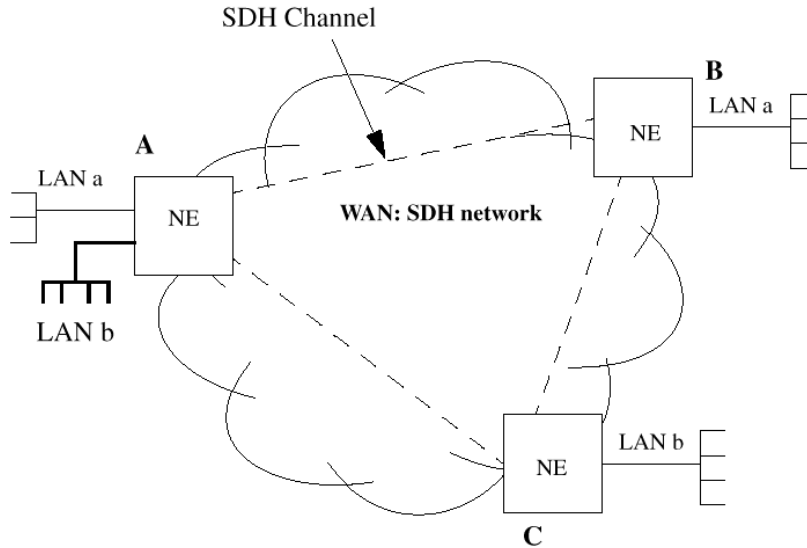
The end-users are assigned bandwidth by the operator. It allows multiple end-users to share the same SDH WAN bandwidth with each end-user being allocated a sub-VC-12-Xv (X= 1, 2, 3, 4, 5) or sub-VC-3-Xv (X=1, 2) rate of bandwidth when using the Fast Ethernet card and sub-VC-4-Xv (X=1, 2,...7) or sub-VC-3-Xv (X=1, 2) when using the Gigabit Ethernet card. The combined end-user bandwidth is then mapped to the SDH time-slots and transported in the SDH network as a single data load. The minimum rate that can be configured per end-user at a LAN port is 150 kbit/s. The operator also specifies a traffic policy for each end-user.

The LAN-VPN operation mode controls the shared bandwidth by making use of the following features:

- Learning bridges
- Spanning tree
- V-LAN (Virtual-LAN)
- CID (Customer Identifier)
- Assigned bandwidth policy (CIR = Committed Information Rate and PIR = Peak Information Rate)

- Additional SDH bandwidth and SDH WAN bandwidth sharing
- Traffic policy (Strict policing/Oversubscription).

The following figure shows the network element configures in the LAN-VPN operation mode



LAN-VPN with QoS mode

Starting with release 4.0, the LAN-VPN with QoS mode, which was supported in releases prior to release 4.0, is no longer supported.

The QoS features which were supported by the LAN-VPN with QoS mode in previous releases are different to the new QoS features supported in the Alcatel-Lucent 1663 ADMu release 4.0.

VPN tagging mode

VPN tagging is used to identify user frames in the LAN interconnect, LAN-VPN or LAN-VPN with QoS mode of operation. VPN tagging is often also referred to as “transparent tagging”.

VPN tagging is characterized as follows:

- Selecting the VPN tagging mode implies that the port role of the ports is fixed. LAN ports are always customer role ports, and WAN ports are always network role ports (see “[Flexible port role assignment](#)” (p. 2-97)).
- VPN tagging is a double tagging mode. This means that a customer identifier (CID tag) is inserted into each frame at each network ingress LAN port. User frames that are already tagged become double tagged. The CID tag is removed from the frame at each network egress LAN port.
- Ports forward only those frames that have a CID tag which “belongs” to that port (i.e. which has previously been provisioned on that port).

In the VPN tagging mode, the term “LAN group” is synonymously used to the term “virtual switch”.

Configuration rules and guidelines

Observe these configuration rules and guidelines:

- Be aware that the port role of the LAN and WAN ports is fixed (see above):
 - LAN ports are always customer role ports.
 - WAN ports are always network role ports.
- On LAN ports the CID needs to be provisioned *manually*.
- The CID provisioned on each LAN port must be *unique* within a shared WAN to create a fully independent VPN.

The VPN provisioning on the WAN ports is done automatically by means of the proprietary spanning tree with VPN registration protocol (STVRP).

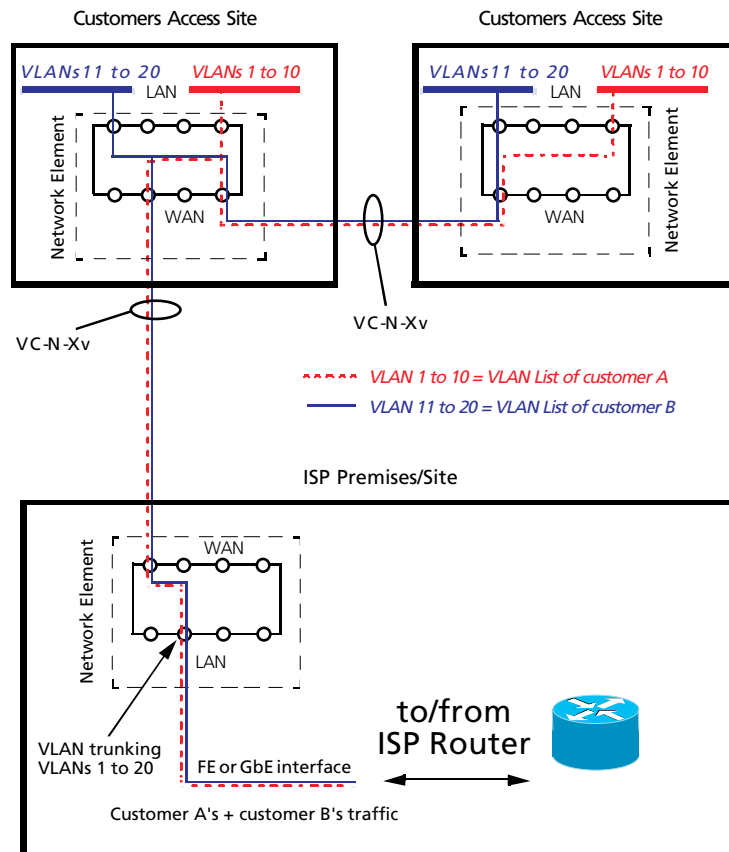
IEEE 802.1Q STP virtual switch mode

The IEEE802.1Q/IEEE 802.1a VLAN tagging scheme can be seen as an extension of the LAN-VPN mode, providing more flexibility in defining the VPN's and in general leading to a more efficient use of bandwidth. In IEEE 802.1Q VLAN tagging mode, a virtual switch is formed by a combination of LAN- and WAN ports on a physical switch that is used by different VLAN's which can share the common WAN bandwidth. Each port can be part of only one virtual switch, but a certain port may be associated with more than one VLAN. The ports that are associated with a certain VLAN ID form the VLAN Port Member Set.

On ingress, each packet is filtered on its VLAN ID. If the receiving port is a member of the VLAN to which a received MAC frame is classified, then the frame is forwarded. The user can provision whether untagged packets are dropped, or tagged with a PVID (Port VLAN ID), via the acceptable frame type parameter.

Example VLAN trunking

The VLAN trunking example shown in the next figure is one of the possible applications in this operation mode.



VLAN IDs assigned to LAN Ports should not overlap in case the operator wants to ensure Layer-2 security between those LAN Ports (in many applications, LAN Ports are likely to be dedicated to one customer). It is the responsibility of the operator to define appropriately non-overlapping VLAN IDs on all the created virtual switches.

Also the provisioned PVID, with which untagged incoming frames are tagged, should not overlap with any VLAN ID on the virtual switch of which the customers' port is part (again, this is the responsibility of the operator). Manual provisioning of intermediate nodes can be cumbersome and difficult. Therefore it is recommended to use the auto-provisioning mode for VLAN ID's on the intermediate nodes. A protocol named GVRP (GARP VLAN Registration Protocol) provides this functionality. GVRP is an application of the Generic Attribute Registration Protocol (GARP) application, which runs on top of the active spanning tree topology.

IEEE 802.1Q defines two kinds of VLAN registration entries in the Bridge Filtering Database: static and dynamic entries. In the *TransLAN*[®] implementation, static entries need to be provisioned on access node LAN ports only. GVRP will take care of configuring dynamic entries on the WAN ports of intermediate and access nodes.

A spanning tree per virtual switch is implemented. If the user wants the traffic to be protected by the spanning tree protocol and uses the manual-provisioning mode, he must ensure that the WAN ports in the alternative path also will have the corresponding VLAN IDs assigned. E.g. in a ring topology, all NE's in the ring must be provisioned with this VLAN ID. In automatic mode, the GVRP protocol will take care of the dynamic VLAN ID provisioning. The user has the possibility to flush dynamic VLAN's, thus remove dynamic VLAN's that are no longer used.

Only independent VLAN learning is supported. This means, if a given MAC address is learned in a VLAN, the learned information is used in forwarding decisions taken for that address only relative to that VLAN.

For the IEEE 802.1Q VLAN tagging mode, the oversubscription mode is not supported (cf. [“Quality of Service \(QoS\) overview”](#) (p. 2-102)).

Configurable spanning tree parameters

Even though the management system is an SDH network element manager, the data networking problems still need to be addressed when managing network elements carrying Ethernet traffic. As such the following parameters are visible/provisionable per virtual switch.

- bridge address
- bridge priority
- root cost
- root port
- port priority
- bridge priority

Provider bridge mode

The provider bridge mode, a double tagging mode with provisionable TPID (“Ethertype”), is - from a functional point of view - comparable to the LAN-VPN mode with the chief difference that the provider bridge mode is compliant to the IEEE 802.1ad standard while the VPN modes are Alcatel-Lucent proprietary modes, and that the provider bridge mode supports Quality of Service features while the LAN-VPN mode does not.

Traffic is forwarded based on the destination MAC address and the outer VLAN tag (S-tag).

As in the IEEE 802.1Q STP virtual switch mode, a virtual switch in the provider bridge mode is a set of LAN/WAN ports on a physical switch that are used by different VLANs which can share the common WAN bandwidth. VLANs in the same virtual switch are defined by their VLAN port member set. An instance of the spanning tree protocol runs on the WAN ports for each virtual switch.

The LAN ports and WAN ports can be configured to be customer-role or network-role ports (see [“Flexible port role assignment”](#) (p. 2-97)).

In the provider bridge mode, the IEEE 802.1ad VLAN tagging mode is used (see [“IEEE 802.1ad VLAN tagging”](#) (p. 2-77)).

Tagging modes

Overview

Sharing transport channels between multiple users requires the identification of MAC frames. Tagging is the process of attaching an identifier, a “tag”, to a MAC frame in order to identify the user to which the frame pertains.

These tagging modes are supported:

- *Transparent* tagging (“VPN tagging”) (not supported on LKA53)
- *IEEE 802.1Q/IEEE 802.1ad* VLAN tagging
 - VLAN tagging compliant with IEEE 802.1Q-1998 (“IEEE 802.1Q VLAN tagging”)
 - VLAN tagging compliant with IEEE 802.1ad (“IEEE 802.1ad VLAN tagging”, “Provider bridge tagging mode”)

The different tagging modes are explained later-on in this section.

Important! Note that it is *not* possible to use different tagging modes at the same time on the same *TransLAN*[®] card.

However, within the transparent tagging mode there can be virtual switches in the repeater mode, LAN interconnect mode, or LAN-VPN mode (with or without IEEE 802.1p QoS) at the same time on the same physical switch.

Transparent tagging

Transparent tagging (or “VPN tagging”) is a double tagging mode used to identify end-user frames in the LAN interconnect, LAN-VPN or LAN-VPN with QoS mode of operation.

Selecting the transparent tagging mode implicitly means that the port role of the ports is fixed. LAN ports are always customer-role ports, and WAN ports are always network-role ports (see “[Flexible port role assignment](#)” (p. 2-97)).

To enable bandwidth sharing, a customer identification (CID) is associated with every LAN port. This CID is inserted into incoming Ethernet frames, in an extra tag. MAC address filtering and learning is done independently for every CID.

Ethernet frames that are already tagged become double tagged. Already present end-user VLAN tags remain unused in the transparent tagging mode, i.e. every VLAN tag is transmitted transparently through the SDH network.

Outgoing frames are only transmitted on LAN ports which have the respective CID associated. The extra tag is removed before the Ethernet frames are forwarded to an external LAN.

Note that in the VPN tagging mode the term “LAN group” is synonymously used to the term “virtual switch”.

Configuration rules and guidelines

Please observe these configuration rules and guidelines:

- The port role of the LAN and WAN ports is fixed in the operational modes that make use of the VPN tagging mode (see above):
 - LAN ports are always customer role ports.
 - WAN ports are always network role ports.
- On LAN ports the CID needs to be provisioned *manually*.
- The CID provisioned on each LAN port must be *unique* within a shared WAN to create a fully independent VPN.

The VPN provisioning on the WAN ports is done automatically by means of the proprietary spanning tree with VPN registration protocol (STVRP).

Important! Changing the tagging mode from transparent tagging to IEEE 802.1Q/IEEE 802.1ad VLAN tagging or vice versa is *traffic affecting!* Furthermore, most objects provisioned in one mode will be deleted or reset to default - except the LAN group / virtual switch infrastructure - when switching to the other mode.

IEEE 802.1Q VLAN tagging

IEEE 802.1Q VLAN tagging is used to identify end-user frames in the STP virtual switch mode compliant with IEEE 802.1Q.

These are the IEEE 802.1Q VLAN tagging rules:

- On end-user LAN interfaces:
 - At each network ingress port, untagged user frames are tagged with a default identifier, the port VLAN identifier (PVID) which is removed from the frame at the network egress port.

Already tagged frames are forwarded if their VLAN identifier is in the port's static or dynamic list of VLAN IDs, i.e. if the port belongs to the configured port member set for that VLAN ID. The static VLAN ID list is configurable. The dynamic VLAN ID list is automatically generated by making use of the GARP VLAN Registration Protocol (GVRP).
 - At each network egress port, the port VLAN identifier (PVID) is removed from previously untagged frames that were tagged with the PVID at the ingress port. VLAN tagged frames are forwarded if the port belongs to the configured port member set for the respective VLAN ID.
- On trunking LAN interfaces, *all* tagged frames are forwarded in both directions. Untagged frames are discarded (dropped).
- The end-customer VLAN tag sets have to be disjunct.

IEEE 802.1ad VLAN tagging

The IEEE 802.1ad VLAN tagging mode (“provider bridge tagging mode”) is a double tagging mode with provisionable Ethertype (TPID), used to identify end-user frames in the STP virtual switch mode compliant with IEEE 802.1ad (“provider bridge mode”).

At each customer role port, a provider bridge tag carrying a customer identifier (CID) is inserted into each Ethernet frame in the ingress direction, and removed from the frame in the reverse direction. Frames that are already tagged become double tagged. The IEEE 802.1ad VLAN tagging mechanism is transparent to the end-customer. VPNs on transit nodes (no customer LAN port) are automatically instantiated by means of the standard GVRP protocol which optionally can be disabled.

The value of the Ethertype (TPID) can be flexibly chosen. However, some values are reserved for specific purposes, for example:

- 0x0800 for IP
- 0x0806 for ARP
- 0x8847 for MPLS
- 0x8100 is not selectable because this is the default value for the STP virtual switch mode compliant with IEEE 802.1Q.

The value of the Ethertype (TPID) can be flexibly chosen. However, as the IEEE 802.1ad defines 0x88a8 as the default value, *the recommended value for the Ethertype in the provider bridge tagging mode is 0x88a8.*

Configuration rules and guidelines

Please observe these configuration rules and guidelines:

- The provider bridge mode can be configured by selecting the IEEE 802.1Q / IEEE 802.1ad tagging mode in combination with provisioning an Ethertype *in the range 0x0601 ... 0xFFFF, but unequal to 0x8100*. Provisioning the value 0x8100 for the Ethertype results in the selection of the STP virtual switch mode compliant with IEEE 802.1Q.

The recommended value for the Ethertype in the provider bridge tagging mode is 0x9100. Please also observe the reserved values as given above.

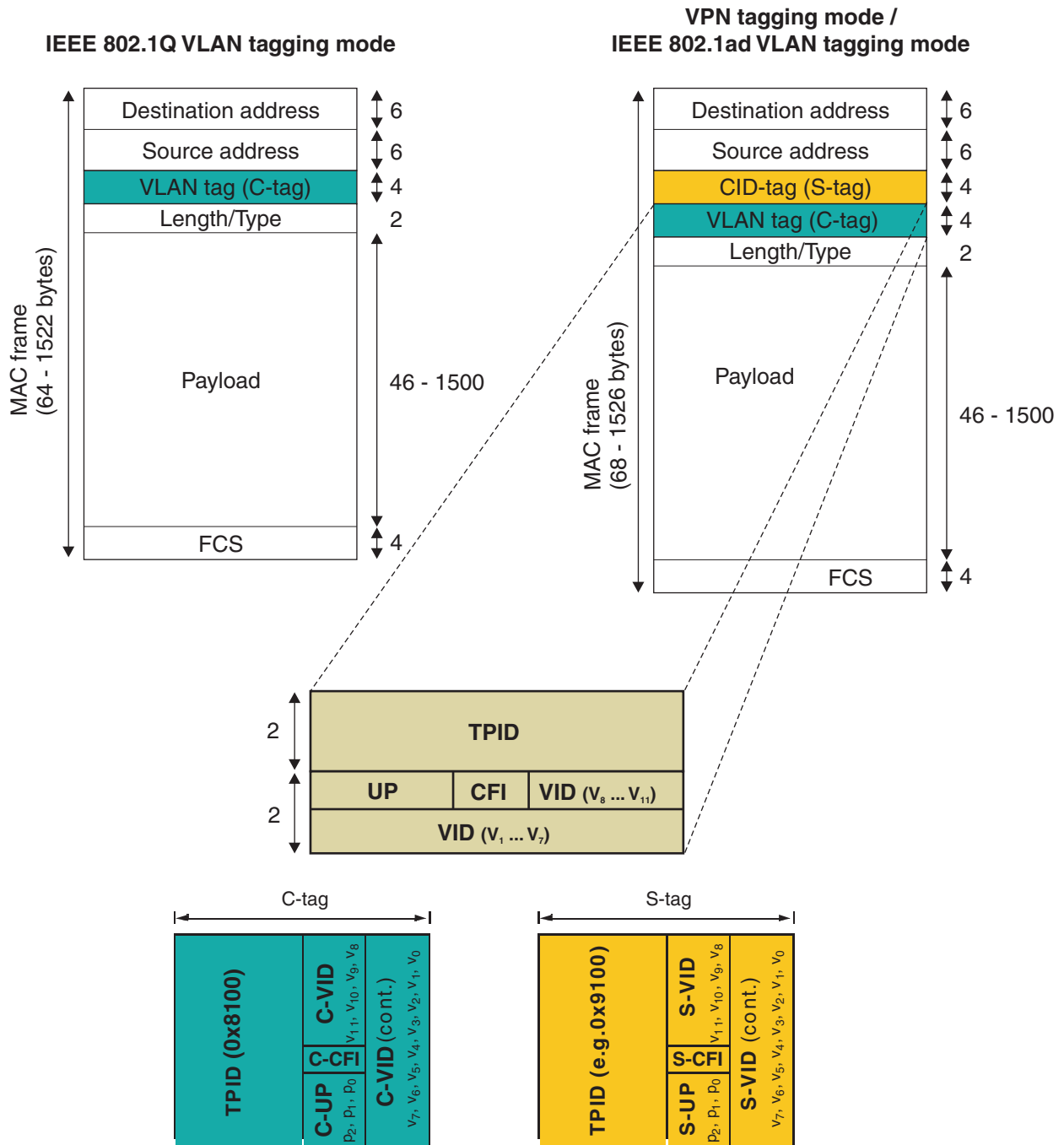
- The customer identification (CID) can be configured in the range [0 ... 4093].

Important! *Changing the tagging mode is traffic affecting!*

Furthermore, most objects provisioned in one mode will be deleted or reset to default - except the LAN group / virtual switch infrastructure - when switching to a different mode.

Tagged MAC frame

The following figure illustrates the structure of the MAC frame in different tagging modes as well as the structure of the respective tags.



Legend:

TPID	Tag protocol identifier (“Ethertype”) - indicates the presence of a VLAN tag (or CID tag, respectively). Furthermore, it indicates that the length/type field can be found at a different position in the frame (moved by 4 bytes).
UP (3 bits)	User priority - “0” (low priority) ... “7” (high priority).
CFI (1 bit)	Canonical Format Identifier - indicates the presence or absence of routing information.
ID (12 bits)	Identification - customer identification which can be configured in the range [0 ... 4093].

Concerning their structure there is no difference between a VLAN tag (C-tag) and a CID tag (S-tag). A distinction between both types of tags can be made by means of the value in the TPID field, the “Ethertype”. In the IEEE 802.1ad VLAN tagging mode (provider bridge tagging mode), the Ethertype can be provisioned per virtual switch.

The value of the Ethertype depends on the mode of operation:

- In the transparent tagging modes (VPN tagging modes), the value of the Ethertype is 0xFFFF, and cannot be changed.
- In the IEEE 802.1Q VLAN tagging mode, the value of the Ethertype is 0x8100, and cannot be changed.
- In the IEEE 802.1ad VLAN tagging mode (provider bridge tagging mode), the value of the Ethertype can be flexibly chosen in the range 0x0601 ... 0xFFFF, but unequal to 0x8100.

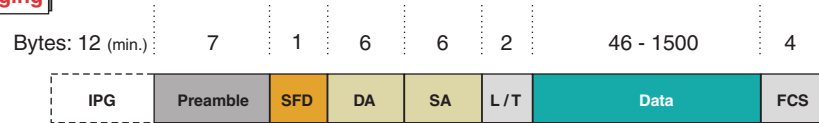
However, as the IEEE 802.1ad defines 0x88a8 as the default value, *the recommended value for the Ethertype in the provider bridge tagging mode is 0x88a8.*

Comparison of different tagging schemes

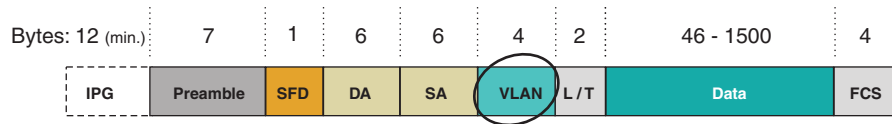
The next figure summarizes the possible tagging schemes:

- No tagging
- Single tagging (IEEE 802.1Q VLAN tagging)
- Double tagging (VPN tagging, IEEE 802.1ad VLAN tagging)

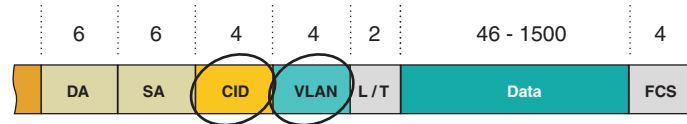
No tagging



Single tagging



Double tagging



Link Pass Through

General

The Gigabit Ethernet and Fast Ethernet interfaces on the Alcatel-Lucent 1663 ADMu network elements support the so-called Link Pass Through (LPT) mode. The LPT feature supports also Link Loss Carry-Forward (LLCF) and Link Loss Return (LLR).

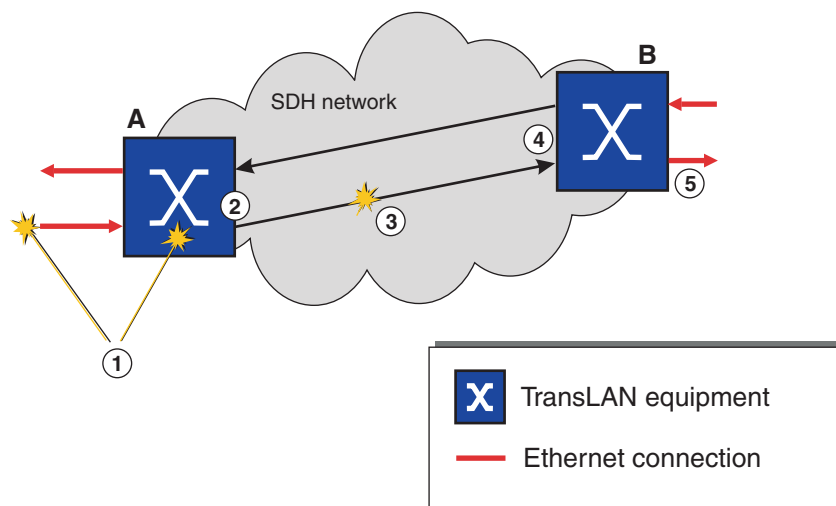
The LPT mode can be used to enable or improve network protection schemes on the equipment external to the *TransLAN*[®] systems.

The LPT mode can be enabled or disabled per GbE/FE port.

Important! The LPT mode is only supported on GbE/FE ports (LAN ports) that operate in a *strict one-to-one association* with a WAN port using *GFP encapsulation*.

LPT operation

Please refer to the following figure for clarification and further reference.



If an upstream GbE/FE fiber failure (e.g. a fiber cut) or equipment failure (1) is detected at node A, then a Client Signal Fail (CSF) indication is inserted into the GFP-encapsulated signal (2). If such a CSF indication or a Server Signal Fail (SSF) condition (due to a failure on the transmission line (3) for example) is detected at node B (4), then this can be used to trigger the inhibition of the transmitter at the LAN egress port (5) as a consequent action.

LPT interworking with MRV Fiber Driver

When MRV fiber driver interwork with Alcatel-Lucent 1663 ADMu TransLAN network via IEEE802.3ah OAM, Alcatel-Lucent 1663 ADMu is able to “integrate” this MRV Fiber Driver Module to provide an extended "link pass through" (LPT) function between MRV's customer LAN ports.

Important! GbE/LPT interworking feature is only supported by LKA53.

FE/LPT interworking feature is only supported by LKA412.

Link aggregation

Purpose

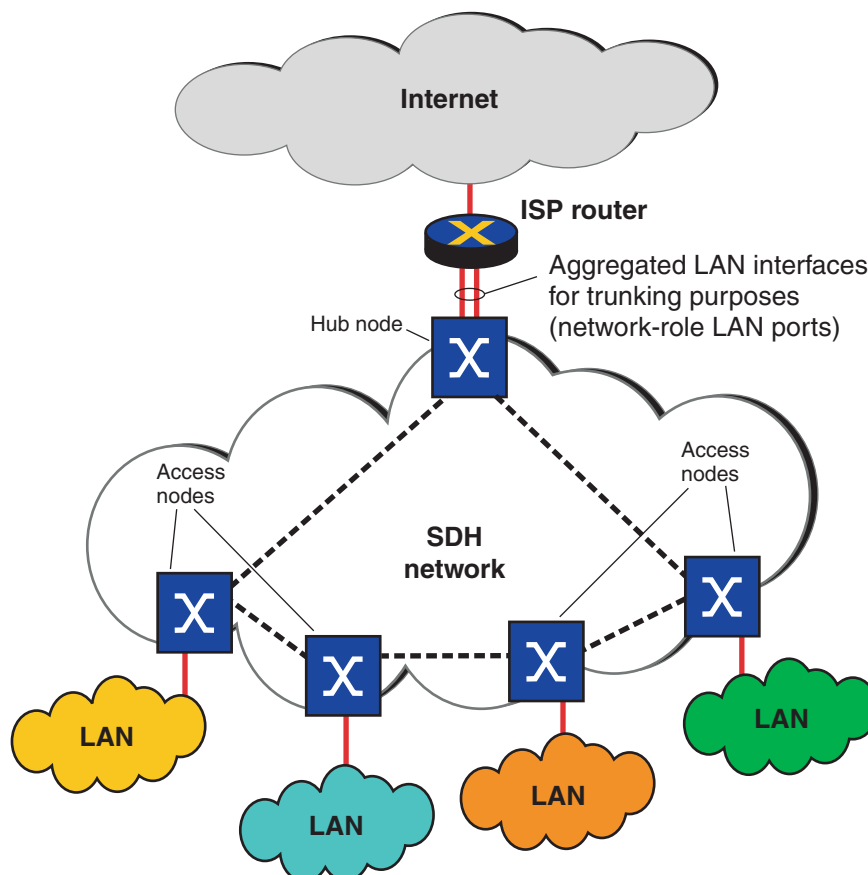
Alcatel-Lucent 1663 ADMu systems support link aggregation of Gigabit Ethernet LAN ports in compliance with IEEE 802.3ad.

Link aggregation allows to bundle (“aggregate”) a number of ports with their transmission capacity to form a link aggregation group (LAG), which can be treated as if it was a single (logical) link.

Thus, link aggregation can be used to *increase the transmission capacity* by transporting a higher capacity signal over a number of bundled, lower capacity links, and/or to *provide link protection*.

Link aggregation for high-density trunking applications

Link aggregation is especially of interest for high-density trunking applications.



Without link aggregation, the second GbE trunking interface between the hub node and the ISP router would be blocked by the spanning tree protocol (STP) in order to avoid loops.

Characteristics

Link aggregation in Alcatel-Lucent 1663 ADMu systems is characterized as follows:

- Link aggregation is available for the GbE ports on the IP-GE/2F-OS (LKA53) Gigabit Ethernet unit only.
- Link aggregation is only possible between two GbE ports that reside on the same circuit pack.
- Link aggregation provides both link protection and load sharing across the aggregated ports.

Load balancing

The distribution of Ethernet frames across the aggregated ports is important in order to provide load balancing.

Frame distribution is accomplished as follows:

- If only one of the ports is available for transmission, then all frames to be transmitted will be sent over this port.
- If both ports are available for transmission, then the traffic will be distributed among the two ports. The distribution algorithm is based on the evaluation of the source and destination MAC address.

Fault management

There are two alarms related to the aggregation of GbE links:

- The GBE Local Link Agregation partial link loss alarms the situation where only one of the two GbE ports is available for transmission.
- The GBE Local Link Agregation total link loss alarms the situation where the transmission is completely blocked because none of the two GbE ports is available for transmission.

Note that all the fault management functionality related to the individual ports or to the virtual switch works independently of the LAG.

Configuration settings concerning the Link Pass-Through (LPT) functionality or flow control (pause operation) are automatically applied to both ports of the LAG.

IGMP snooping

Purpose

Alcatel-Lucent 1663 ADMu systems support IGMP snooping.

IGMP snooping can be understood as a generalized MAC address learning mechanism for multicast MAC addresses. It is based on observing (“snooping”) some network-layer messages exchanged between the multicast routers and the hosts interested in receiving multicast traffic. IGMP snooping deals only with IPv4 multicast traffic (which is the prevalent form of multicast in networks nowadays).

IP Group Multicast Protocol IGMP

The Internet Engineering Task Force (IETF) defined IGMP as a means of associating groups of IP multicast transmitters and receivers. Each member host of an IP multicast is either a transmitter or a receiver.

It provides

- a protocol for hosts actively joining / leaving multicast groups
- routers/gateways announcing to other routers that there are hosts willing to join / leave particular multicast groups in their networks
- routers/gateways querying / reporting the multicast participation in their particular networks

A station that wishes to become a receiver sends an IGMP “group join” message to that group’s transmitter. Each Layer 3 device that forwards an IGMP join message records the group ID and source interface in its multicast forwarding table. When the transmitter sends IP multicast traffic, the Layer 3 device will then forward the traffic only to those interfaces from which it has received join messages. Thus, the Layer 3 device forwards IP multicast traffic only to those hosts that have requested it. Applications that use IP multicast, such as those involving streaming media, automatically handle IP multicast group membership. Users do not have to manually send IGMP messages.

Over time, the IETF has defined three versions of IGMP:

- IGMPv1:

IETF Request for Comments 1112 (RFC 1112) defines the original version of IGMP. RFC 1112 defines the join message that hosts use to join an IP multicast group. However, IGMPv1 does not define a method for hosts to leave a multicast group. With IGMPv1, routers must use a timer to determine which hosts are still members of the group.

- IGMPv2: RFC 2236 defines “group leave” messages that enable IP multicast-aware devices to keep current information on group membership.
- IGMPv3: RFC 3376 represents a major revision of IGMP. Instead of the one-transmitter/many-receiver model of IGMP versions 1 and 2, hosts using IGMPv3 specify lists of transmitters to listen to.

IGMP snooping

IGMP snooping, as the name implies, is a method by which Layer 2 devices can “listen in” on IGMP conversations between hosts and routers. When a switch hears a group join message from a host, it notes which switch interface it heard the message on, and adds that interface to the group. Similarly, when a Layer 2 switch hears a group leave message or a response timer expires, the switch will remove that host’s switch interface from the group.

IP multicast traffic has some special characteristics. Destination IP addresses for multicast traffic fall within the range of 224.0.0.1 through 239.255.255.255 (although some addresses within this range are reserved). Destination Ethernet addresses for multicast traffic begin with 01:00:5E and end with the lower order 23 bits of the destination IP address.

IGMP snooping enabled VLAN ports support the following IGMP interface roles, which are provisionable and retrievable per VLAN port via management system:

- Non-Router: IGMP snooping will consider that only hosts (and no routers) are reachable through this vlan port
- Router: IGMP snooping will consider that multicast routers (and possibly hosts) are reach-able through this vlan port
- Auto (default): IGMP snooping will auto-detect the vlan port role

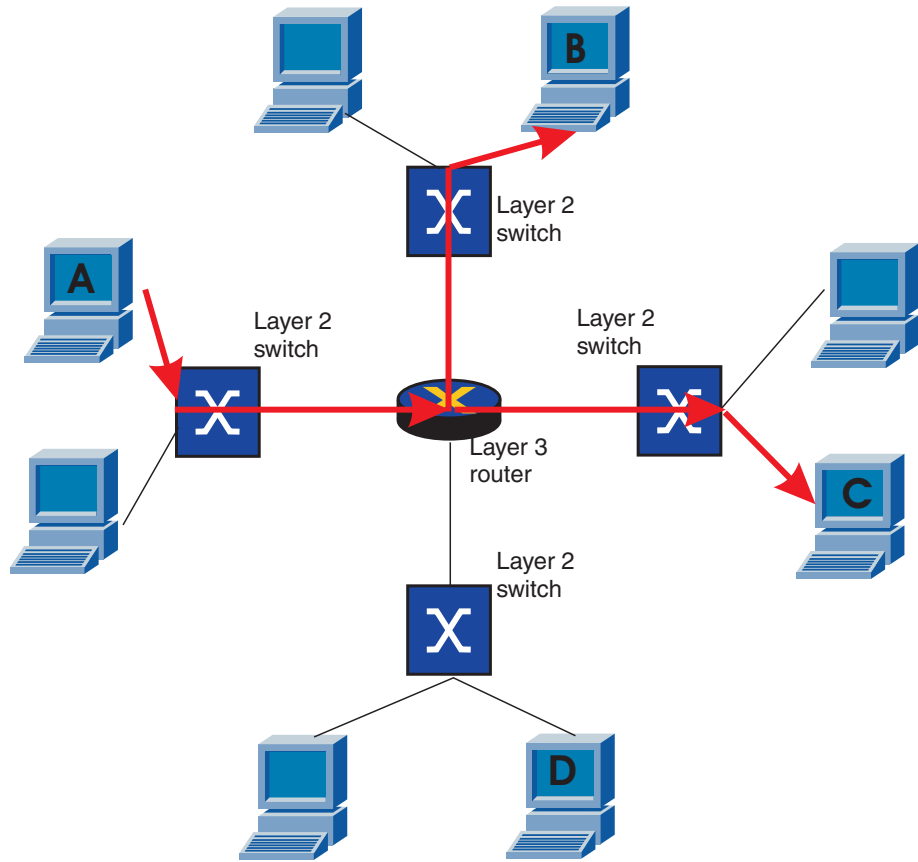
Multicast group

A multicast group is a group of zero or more hosts that listen to a particular IP multicast group address.

- Multicast groups are identified by the IP multicast address.
 - 224.0.0.0 is a no-group address
 - 224.0.0.1 is the permanent group of all multicast IP hosts (including gateways) on the directly connected network
- There is a fixed mapping defined between IP multicast group addresses and link-layer addresses for many link layers. The link layer multicast address is used as the link-layer destination address (DA) when sending IP datagrams to an IP multicast group address.
- One link-layer for which a mapping exists is Ethernet.
The mapping of IP multicast group addresses and Ethernet MAC multicast group addresses is as follows:
 - IP multicast frames all use MAC addresses beginning with: 0x0100.5Exx.xxxx
 - xx.xxxx are the last 23-bits of the IGMP multicast group address.
 - Note that the $(2^{28})-1$ defined multicast group IP addresses are mapped onto $(2^{23})-1$ Ethernet MAC multicast group addresses. This is a 32-to-1 mapping, not a one-to-one. Practically, this is only relevant when choosing the IP multicast group addresses within a network based on Ethernet.
- Max. 3.2 K IP multicast groups are supported per Ethernet unit.

Example for multicast traffic

In the following example, host A is a multicast transmitter and host B and C are multicast receivers in the same multicast group as host A. The layer 3 router forwards the IP multicast traffic only to those segments with registered receivers (hosts B and C). The layer 2 switches, forward the IP multicast traffic only to hosts that are multicast receivers.



IEEE 802.3ah Operations, Administration and Maintenance (OAM)

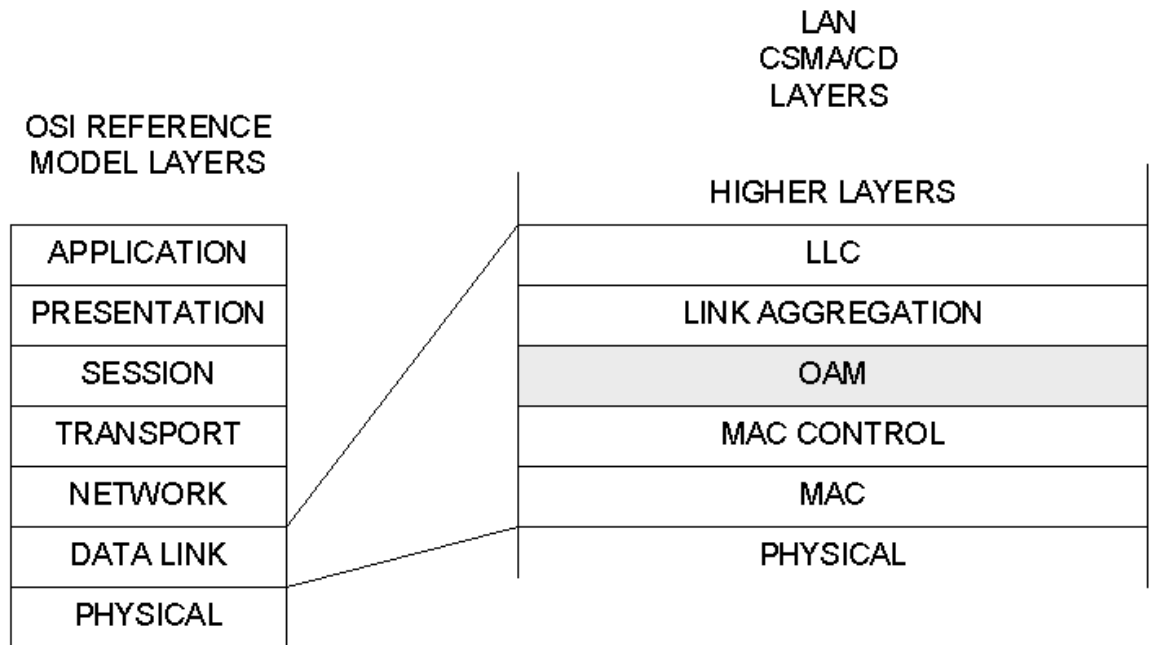
Introduction

Alcatel-Lucent 1663 ADMu systems support Operations, Administration and Maintenance (OAM) functions according to clause 57 of the IEEE 802.3ah-2004 standard (included in IEEE 802.3-2005, section 5). OAM provides network operators the ability to monitor the health of the network and quickly determine the location of failing links or fault conditions.

The IEEE 802.3ah OAM mechanism is based on the exchange of information using frames (802.3ah OAMPDUs) with standardized formats and a standardized protocol (802.3ah OAM protocol).

OAM sublayer

In the IEEE reference model, the IEEE 802.3ah OAM functionality is represented by the so called OAM sublayer, that is a sublayer between the MAC Control sublayer and the MAC client layers (such as the Link Aggregation (LAG) sublayer, for example).

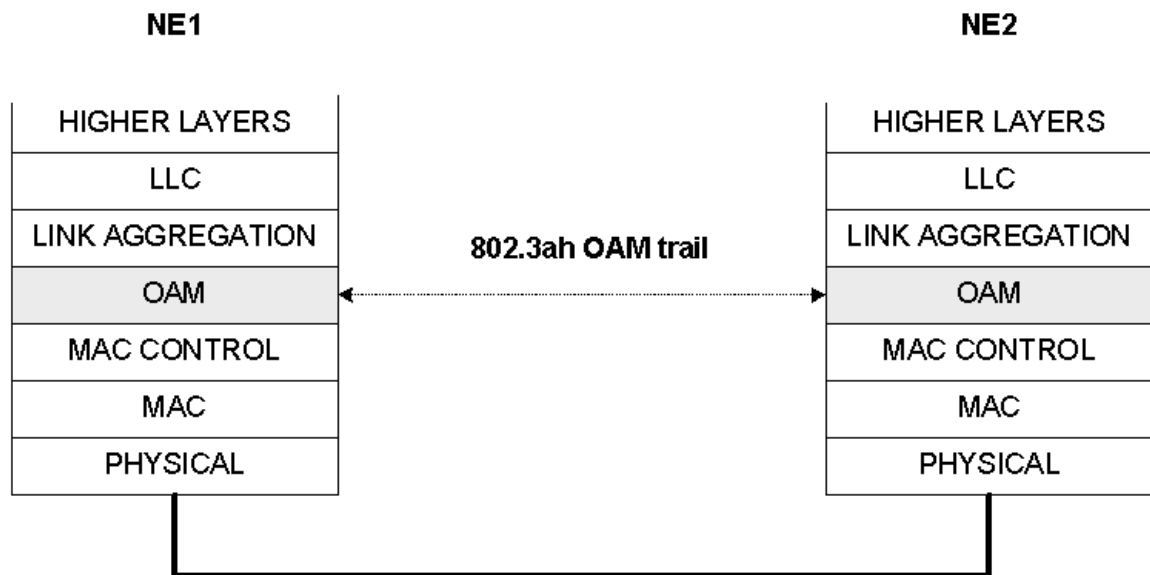


The positioning of the OAM sublayer implicates some important aspects regarding the behavior of the IEEE 802.3ah OAM functionality in the context of Ethernet networking:

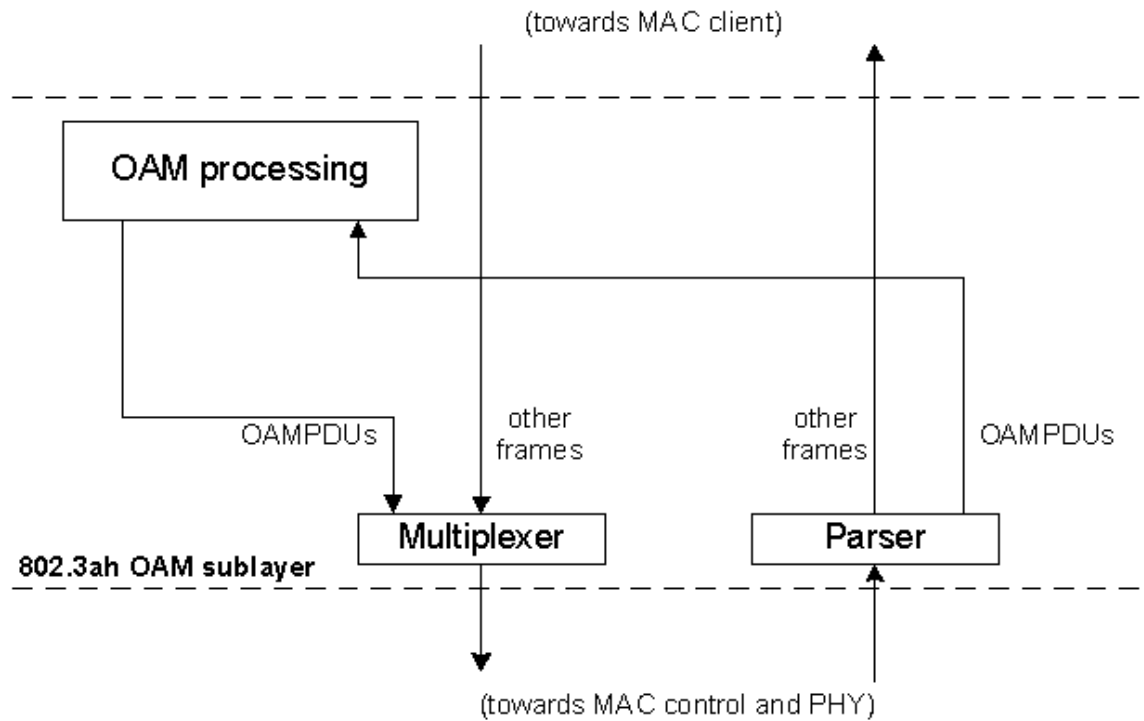
- The OAM sublayer is positioned on top of the MAC control sublayer. Thus, the pause mechanism (flow control) - when active - will delay not only Ethernet service frames but also IEEE 802.3ah OAM frames.
- The OAM sublayer is positioned below the Link Aggregation (LAG) sublayer, if present. Thus, the OAM sublayer exists once for each link in a LAG implementation.
- The OAM sublayer is positioned below the MAC client layers. Thus, all upper-layer frames will pass through the OAM sublayer (for example Ethernet service frames, bridge PDUs, LACP PDUs, ...). This implies for instance that, if the OAM sublayer is in a state where it does not pass through frames, all upper-layer frames will be blocked at the OAM sublayer.

Communication between NEs

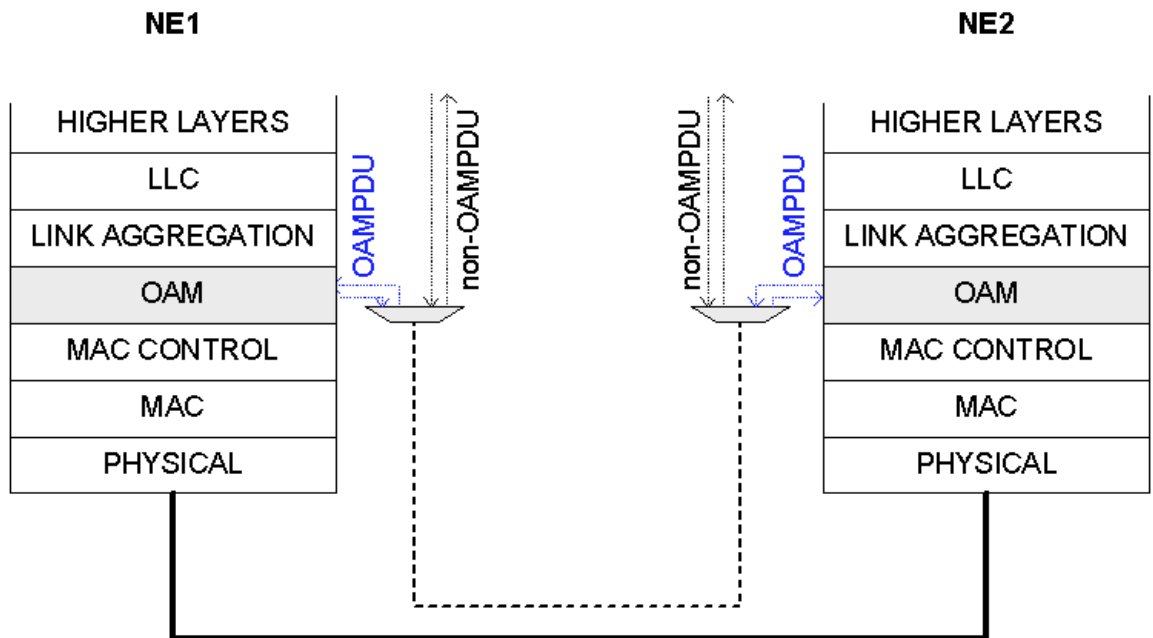
When two NEs are connected by an Ethernet link with IEEE 802.3ah OAM enabled, the OAM sublayers in each of the NEs perform the OAM functions by exchanging OAMPDUs according to the 802.3ah OAM protocol.



The following graphic illustrates the transmission view of the IEEE 802.3ah OAM functionality.

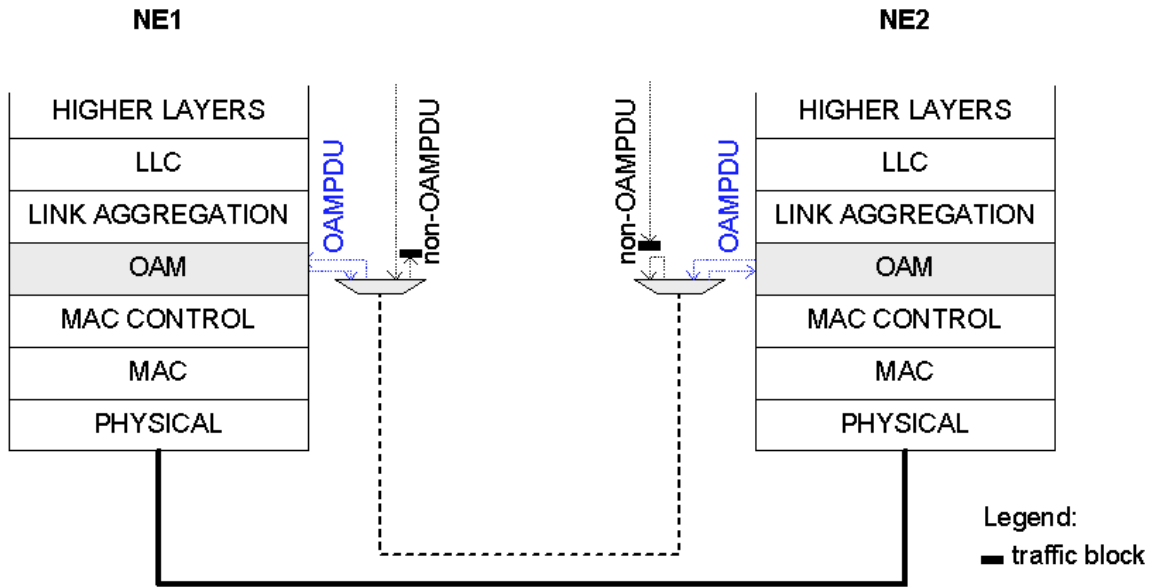


Taking the transmission view of the IEEE 802.3ah OAM functionality into account, the following graphic shows in more detail the traffic flows in a configuration where two NEs are connected by an Ethernet link with IEEE 802.3ah OAM enabled.



IEEE 802.3ah OAM loopbacks

The IEEE standard describes the IEEE 802.3ah OAM loopback as a remotely controlled facility that can be used for fault localization and link performance testing. The loopback is defined as an OAM-layer loopback, i.e. the affected traffic is looped at the OAM layer. The following graphic shows the flow of traffic when an 802.3ah OAM loopback is enabled.



IEEE 802.3ah OAM loopbacks are intended to be used to assess the quality of a link during network maintenance operations.

IEEE 802.3ah OAM interworking with MRV Fiber Driver

Overview

The MRV Fiber Driver Module (refer to “[MRV module](#)” (p. 4-50)) interworks with Alcatel-Lucent 1663 ADMu LKA53 and LKA412 TransLAN cards via IEEE802.3ah OAM.

The MRV Fiber Driver Module helps to:

- Manage Ethernet links,
- Localize failures cumbersome on unmanaged links
Failures can be separated
 - Operator domain
 - Customer location
- Set a demarcation point that allows to expand the operator domain to the customer premise

The LKA53 and the LKA412 together with MRV Fiber Driver Module supports the following 802.3ah OAM functions:

- PM for OAM-enabled Ethernet links (based on the errored symbols). When interworking with MRV only near-end PM is available
- Remote loopback enabling/disabling
- MRV LPT interworking

Extended Link Pass Through (LPT) function between MRV's customer LAN ports.

GbE/LPT interworking feature is only supported by LKA53.

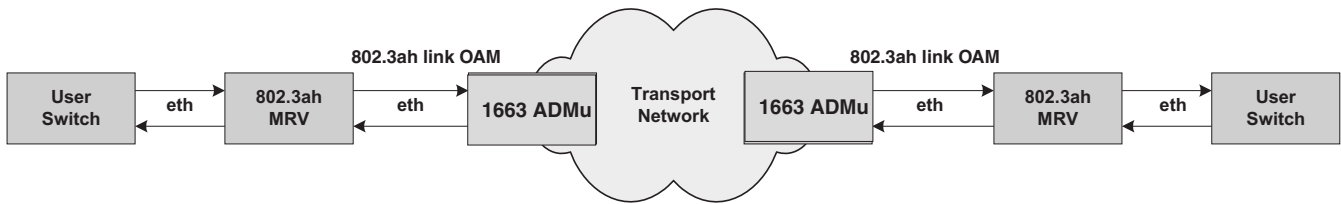
FE/LPT interworking feature is only supported by LKA412.

When interworking with MRV Fiber Driver Module via IEEE 802.3ah OAM, depending on the TransLAN card the following IEEE 802.3ah OAM functions are supported:

Supported IEEE 802.3ah OAM functions	LKA412	LKA53
PM for OAM-enabled Ethernet links (based on the errored symbols). When interworking with MRV only near-end PM is available	✓	✓
Remote loopback	–	✓
MRV LPT interworking Extended Link Pass Through (LPT) function between MRV's customer LAN ports. GbE/LPT interworking feature is only supported by LKA53. FE/LPT interworking feature is only supported by LKA412.	✓	✓

Configuration example

The following figure gives an example for the interworking of Alcatel-Lucent 1663 ADMu with the MRV Fiber Driver Module.



Static MAC Address Provisioning

Overview

The switches on the Alcatel-Lucent 1663 ADMu data packs operate in self-learning mode, i.e. the source addresses (SA) of received frames are stored in a MAC address table and the destination addresses (DA) of received frames will be compared to those in the table to find the right egress port. Packets whose DA is not found in the table will be broadcasted to all relevant ports. The dynamic MAC address table entries age out after a while (300s) to make room for new entries.

The “Static MAC Address Provisioning” feature allows the user to make manual entries into the MAC address table. These entries will be called static entries and are not subject to address aging. In case of unicast addresses a single egress port can be provisioned. In case of multicast addresses (refer to [“Multicast group” \(p. 2-87\)](#)) a list of egress ports can be provisioned.

It is possible to retrieve and remove single dynamic and static MAC address table entries. This applies to LKA4, LKA12 and LKA53. Note that LKA4 also includes LKA412 and LKA12 also includes LKA12B.

Unlike the other data packs the LKA53 will not automatically share the address table evenly among all VLANs. So here we can have the situation that the whole table is used up by one VLAN although other VLANs exist. To avoid this the user will be able to limit the number of dynamically learned addresses per VLAN. This applies to LKA53 only.

Port provisioning

Customer-role and network-role ports

The user can assign a so-called “port role” to WAN ports as well as to LAN ports. In this way it is possible to forward VLAN tags, especially in double-tagging mode, also via LAN ports. Additionally it is possible to run the STP and GVRP protocols on physical LAN ports, too.

The following port roles are possible:

Customer role

Ethernet frames can carry VLAN tags, but it is not necessary. Tags are removed.

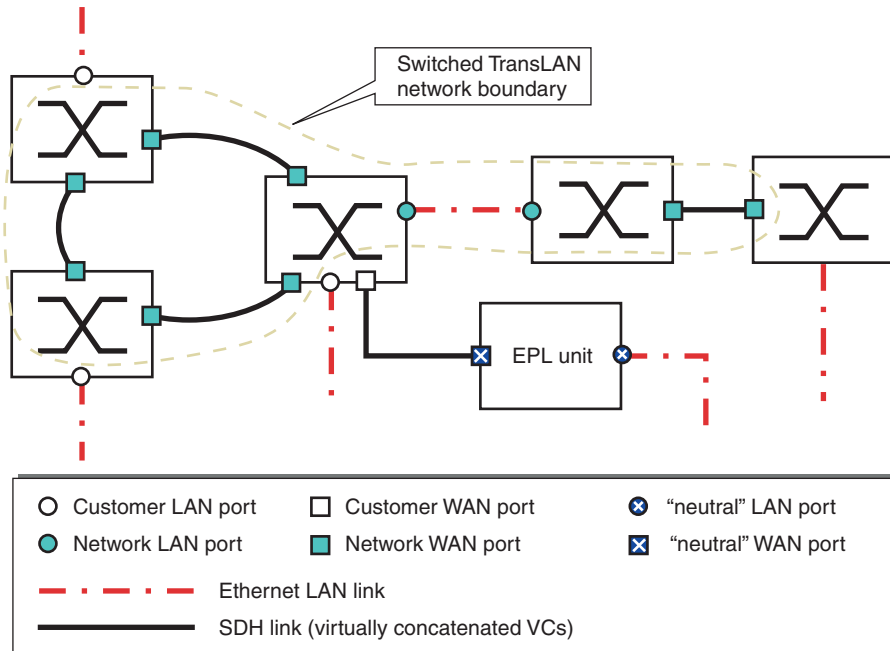
Network role:

Ethernet frames must have a VLAN tag.

Each LAN port or WAN port can have one of the following port roles:

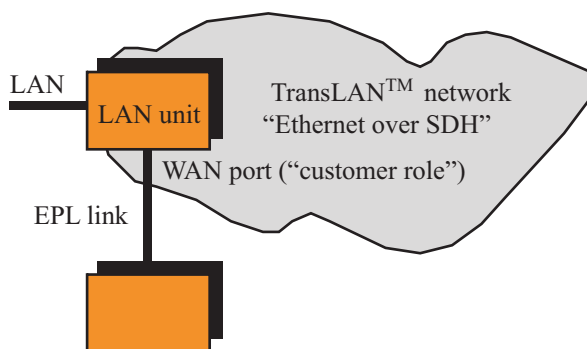
<i>Customer role</i>	<p>Customer-role ports are usually located at the edge of the switched <i>TransLAN</i>[™] network boundary, providing the Ethernet interface to the end-customer. Ethernet frames may be but need not necessarily to be tagged.</p> <p>In the majority of cases, LAN ports are customer-role ports. However, two LAN ports connected via an Ethernet LAN link would be an example of network-role LAN ports. Another example would be a trunking LAN port connected via an Ethernet LAN link to an ISP router (where VLAN tags are needed for further processing).</p>
<i>Network role</i>	<p>Network-role ports usually interconnect the nodes that make up the <i>TransLAN</i>[™] network. Ethernet frames need to be tagged.</p> <p>In the majority of cases, WAN ports are network-role ports. However, a WAN port which is connected to an Ethernet private line unit (EPL unit), thus extending the switched <i>TransLAN</i>[™] network boundary, would be an example of a customer-role WAN port.</p>

The following figure serves to visualize the concept of customer-role and network-role ports.

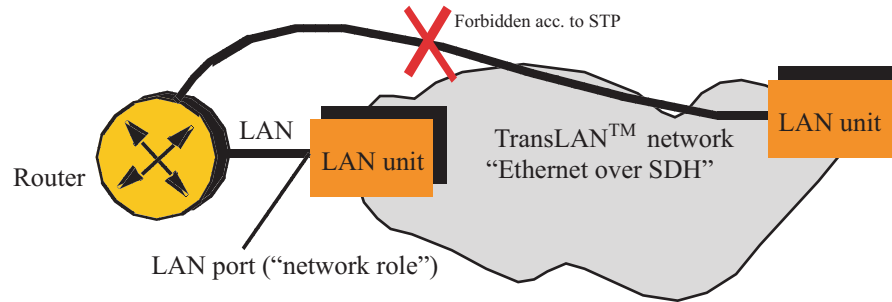


Flexible port role assignment

In most cases physical LAN ports have the customer role and physical WAN ports have the network role, but there may be exceptions in some applications. In the following figure the WAN port connects an EPL link and is therefore at the edge of the *TransLAN™* network. Thus it has the customer role in this case.



In the example in the figure below the VLAN tags have to be forwarded to a router. The router uses the tagging information for its switch decisions. Additionally the LAN port must fulfill a network role. In this case it behaves like a node of the *TransLAN™* network. It could also participate in the STP in order to avoid loops, if there was another link from a Router LAN interface to a second node within the *TransLAN™* network.



A LAN port which operates in the “network role” behaves like a WAN port in terms of VLAN tagging, STP and GVRP.

The default settings are shown in the following table

Port role	Physical ports	
	LAN port	WAN port
Customer role	default	
Network role		default

In the IEEE 802.1Q STP virtual switch mode and in the provider bridge mode, the port role of each LAN and WAN port can be flexibly assigned. Each LAN or WAN port can be configured to be either a customer-role or network-role port.

These are the characteristics of customer-role and network-role ports:

Customer-role port	Network-role port
<p>In the <i>IEEE 802.1Q STP virtual switch mode</i>:</p> <p>In the ingress direction, untagged Ethernet frames are tagged with a default identifier, the port VLAN identifier (PVID). The PVID is removed from each frame at each network egress port. See also: “IEEE 802.1Q VLAN tagging” (p. 2-76)</p> <p>In the <i>provider bridge mode</i>:</p> <p>A provider bridge tag carrying a customer identifier (CID) is inserted into each Ethernet frame in the ingress direction, and removed from the frame in the reverse direction. Frames that are already tagged become double tagged. See also: “IEEE 802.1ad VLAN tagging” (p. 2-77)</p>	<p>No tagging or untagging operations are performed.</p>
<p>The spanning tree protocol (STP) is <i>not</i> supported.</p>	<p>The spanning tree protocol (STP) can be enabled (default setting) or disabled.</p>
<p>GVRP is <i>not</i> supported.</p> <p>VLAN IDs or CIDs need to be configured manually.</p>	<p>GVRP can be enabled (default setting) or disabled.</p> <p>Dynamic VLAN IDs or CIDs of intermediate and access nodes are automatically configured if GVRP is enabled.</p>
<p>Ingress rate control exists at customer-role ports only (see “Quality of Service (QoS) overview” (p. 2-102)).</p>	<p>There is no rate control on network-role ports.</p> <p>The traffic class encoded in the p1 and p2 bits of the incoming frames is evaluated and transparently passed through.</p>

Fix port-role assignment in the VPN tagging modes

In all the operational modes relying on the VPN tagging mode (see [“Transparent tagging”](#) (p. 2-75)) the port role is fixed:

- LAN ports are *always* customer role ports.
- WAN ports are *always* network role ports.

This port-role assignment in the VPN tagging modes cannot be changed. Corresponding provisioning options that might be available on the graphical user interfaces of the management systems do not apply to the VPN tagging modes and are blocked.

Repeater mode

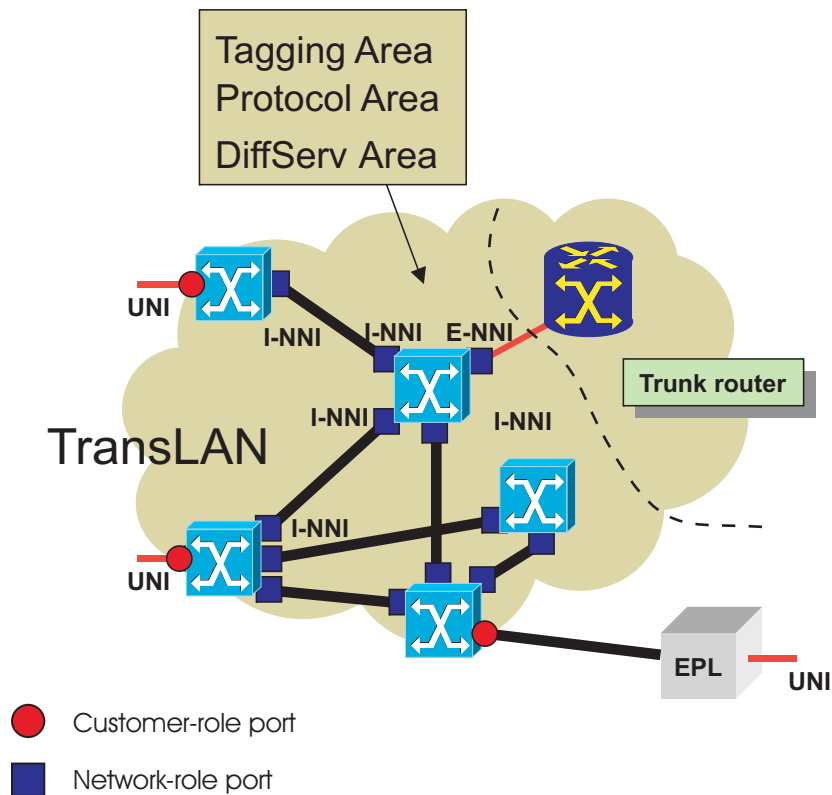
In the repeater mode, there is no necessity to distinguish between customer-role and network-role ports, because the repeater mode can only be used in point-to-point configurations, and there is:

- no tagging mechanism,
- no spanning tree, and
- no GVRP or STVRP.

In the repeater mode, there is simply a LAN port and a WAN port. The LAN port provides the connection to the end-customer LAN, and the WAN port provides the connection to the SDH transport network (see “[Repeater mode](#)” (p. 2-64)).

Example

As an example, the following figure shows a possible network application:



Legend:

UNI port	User-Network-Interface (always a customer-role port)
I-NNI port	Internal Network-Network Interface (always a network-role port)

E-NNI port External Network-Network Interface (here a trunking network-role port)

Differentiated services

Quality of Service (QoS) overview

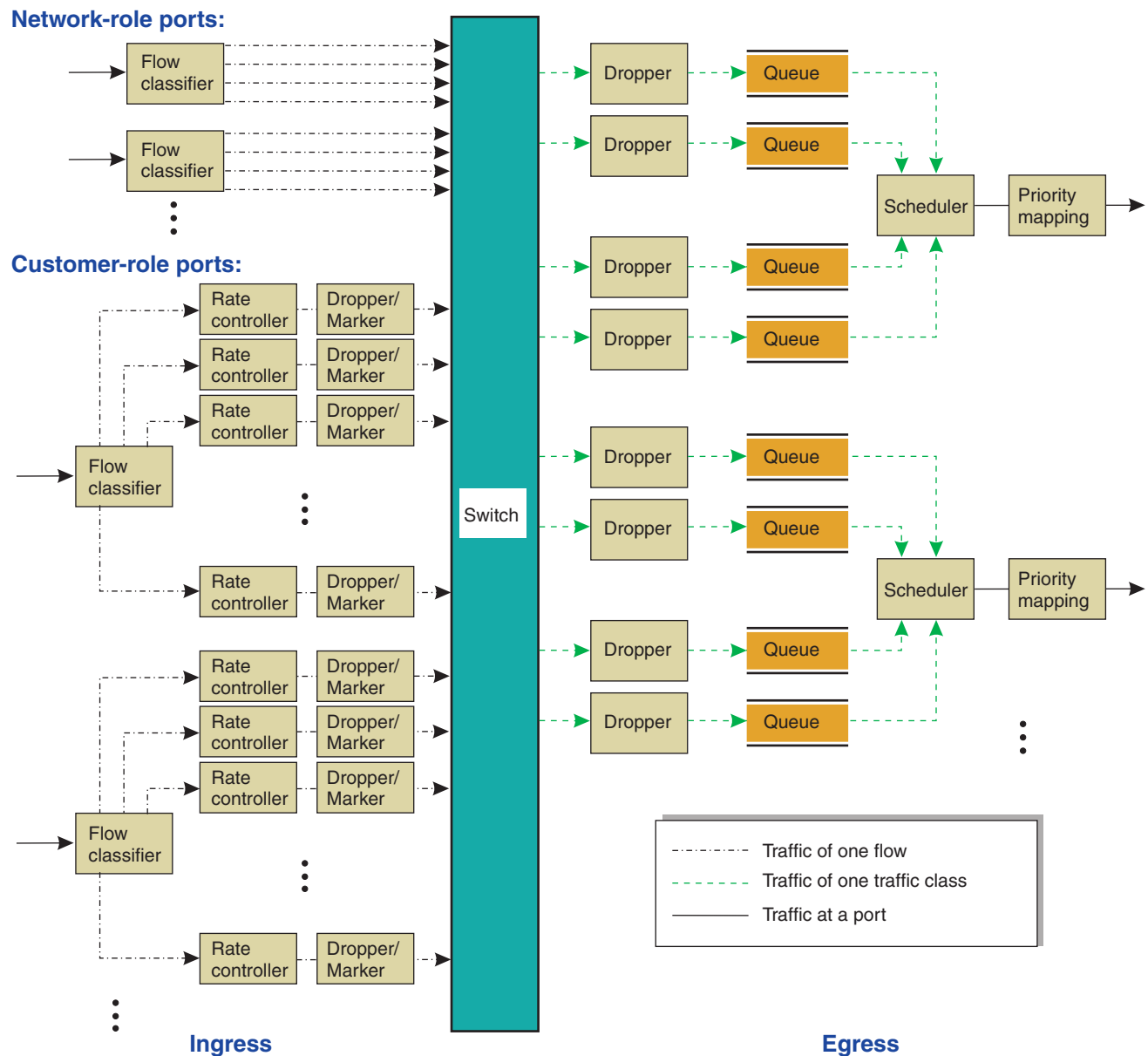
Introduction

Quality of service (QoS) control allows to differentiate between Ethernet frames with different priorities. If traffic with a high priority and traffic with a low priority compete for SDH capacity, the traffic with the high priority should be served first. This can be realized through quality of service control.

QoS control is supported on the E/FE and Gigabit Ethernet cards, in the IEEE 802.1Q VLAN tagging mode and the IEEE 802.1ad VLAN tagging mode (provider bridge mode). QoS control is implemented as a DiffServ architecture applied to layer 2 (in accordance with IETF recommendations on Differentiated Services, cf. www.ietf.org).

Flow classification, queueing and scheduling

The following figure provides an overview of the QoS control:



Quality of Service configuration options

The following table gives an overview of the QoS provisioning options depending on the configured mode of operation.

Mode of operation		Ethertype (hex. value)	QoS CQS	QoS_osub	Ingress rate control	HoL blocking prevention
Repeater mode		–	[disabled]	[disabled]	[none]	[disabled]
VPN mode	LAN interconnect	[0xFFFF]	[disabled]	[disabled]	[none]	[disabled]
	LAN-VPN	[0xFFFF]	[disabled]	[enabled]	strict policing	[enabled]
					oversubscription	
	LAN-VPN with QoS	This mode of operation was supported in previous releases. However, it is no longer supported in the Alcatel-Lucent 1663 ADMu release 4.0.				
IEEE mode	STP virtual switch mode compliant with <i>IEEE 802.1Q</i>	0x8100	[enabled]	disabled	strict policing	[enabled]
				enabled	strict policing, oversubscription	
	STP virtual switch mode compliant with <i>IEEE 802.1ad</i> (Provider bridge mode)	0x0601 ... 0xFFFF (≠ 0x8100)	[enabled]	enabled	strict policing, oversubscription	[enabled]

Notes:

1. QoS CQS: Quality of Service - Classification, Queueing and Scheduling
2. “QoS_osub” represents a configuration parameter which determines if the encoding and evaluation of the dropping precedence is supported (supported if QoS_osub is enabled).
3. Entries in square brackets indicate an implicit selection. If in the “QoS CQS” column for example the entry is “[disabled]”, then the preceding selection of tagging and operation mode implies that Quality of Service - Classification, Queueing and Scheduling (QoS CQS) is not available. It is implicitly disabled, and cannot be enabled.
4. The Ethertype can be set per virtual switch. However, as all virtual switches of a *TransLAN*TM card are switched in common, it is effectively set per *TransLAN*TM card.
5. The distinction between the STP virtual switch mode compliant with IEEE 802.1Q and the STP virtual switch mode compliant with IEEE 802.1ad (provider bridge mode) can be realized by provisioning the Ethertype. In the STP virtual switch mode compliant with IEEE 802.1Q, the Ethertype is fix preset to 0x8100. In the provider bridge mode, the Ethertype can be provisioned in the range 0x0600 ... 0xFFFF, but unequal to 0x8100.
6. If “HoL blocking prevention” is enabled then frames that are destined for an uncongested port will not be discarded as a result of head-of-line blocking.

Ingress rate control provisioning method

If Quality of Service - Classification, Queueing and Scheduling (QoS CQS) is enabled, then ingress rate control can be provisioned per flow by using QoS profiles (see [“Quality of Service provisioning” \(p. 2-117\)](#)). Otherwise, ingress rate control can only be provisioned per port.

Service level agreements

On the Alcatel-Lucent 1663 ADMu the responsibility for admission control is left to the operator. This means there is no check that the Service Level Agreements on already existing connections can be fulfilled, when a new user starts sending data from node A to B.

In this respect the notion of over-subscription factor is important. This is the factor by which the calculated bandwidth, based on e.g. the traffic matrices of the operators sharing a link, exceeds the physically available bandwidth. Although theoretically the bandwidth can only be guaranteed for an over-subscription factor ≤ 1 , in practice an over-subscription factor of 5-10 can be used without giving problems. Due to the effects of statistical multiplexing it is safe to “sell the bandwidth more than once”. The burstiness of the traffic from individual customers that share a common link makes this possible. The Service Level Agreements give a quantification for the “statistics” of the multiplexing.

Provisioning LAN and WAN ports details

The provisioning of the classifier and rate controller per flow is done only on the ingress customer-role port (LAN port). On the network ports (WAN port), only the scheduler for the egress queues is provisionable.

It is important that some of the QoS settings are provisioned consistently on all ports throughout the whole customer's VPN domain. In the LAN-VPN (M-LAN) operation mode, the rate controller mode (none, strict policing, oversubscription) must be provisioned consistently (per virtual switch). The latter applies to the only. For the scheduler, for each egress queue the mode = strict_priority/weighted_bandwidth and corresponding weights (per virtual switch) must be provisioned consistently. This is ensured by a background aging function of the system. The parameter will be enforced to be set equally.

Fixed mapping of user priority to egress queue on customer-role ports

The next table depicts the mapping of user priority to traffic class to egress queue on a customer-role port. Once the traffic class/egress queue is set for a certain packet at the ingress customer-role port, the packet will keep the same traffic class/egress queue throughout the network. A customer should make sure that his packets are marked with the appropriate user priority, if he wants to use this flow classification, or use the default_overriding mode otherwise.

User priority	Forwarding queue (none, strict policing)	Forwarding queue (oversubscription)
0 (000)	1	2
1 (001)	0	1

User priority	Forwarding queue (none, strict policing)	Forwarding queue (oversubscription)
2 (010)	0	1
3 (011)	1	2
4 (100)	2	3
5 (101)	2	3
6 (110)	3	4
7 (111)	3	4

Note that the egress queue number is not linearly increasing with user priority.

Classification, queueing and scheduling

Flow classification

The flow classifier determines into which flow each incoming packet is mapped. On customer-role ingress ports, a number of flows can be defined, based on port, user priority, VLAN ID, IP-ToS field and Destination MAC Address. For each flow a rate controller can be specified (CIR/PIR value).

The flow classifier determines into which flow each incoming packet is mapped. On customer-role ingress ports, a number of flows can be defined, based on port and user priority, and optionally VLAN ID. However, the mapping towards the egress queue is fixed and based on the user priority only. For each flow a rate controller can be specified (CIR/PIR value).

Apart from these flows based on input criteria, a default flow is defined for packets that do not fulfill any of the specified criteria for the flows, e.g. untagged packets that have no user priority field. Thus, untagged traffic is classified per port. All traffic on a certain port is treated equally and attached a configurable default port user priority value to map the traffic on the appropriate queues.

A default user priority can be specified on port level to be added to each packet in the default flow (see [“Default user priority” \(p. 2-112\)](#)). Furthermore, the rate controller behavior for the default flow can be specified. The same fixed mapping table from user priority to traffic class to egress queue is applied to packets in the default flow as to packets in the specified flows.

Provided that Quality of Service - Classification, Queueing and Scheduling (QoS CQS, cf. [“Quality of Service configuration options” \(p. 2-103\)](#)) is enabled, each flow can be assigned a traffic class by using QoS profiles (see [“Quality of Service provisioning” \(p. 2-117\)](#)).

Each traffic class is associated with a certain egress queue (see [“Traffic class to queue assignment” \(p. 2-114\)](#)).

Ingress direction for network-role ports

For network-role ports, two cases need to be differentiated:

- On *I-NNI ports*, explicit provisioning of the flow identification (flow configuration) is not provisionable. I-NNI ports always have the default QoS profile assigned. On an I-NNI port, the only purpose of the flow classifier is to evaluate the traffic class. The traffic class determines the egress queue.
- *E-NNI trunk ports* may be split in so-called virtual ports which can be provisioned by means of virtual port descriptors (VPDs). Explicit provisioning of the flow identification (flow configuration) enables the DiffServEdge function for this fraction of the network-role port. Ingress rate control of these virtual ports is the same as for customer-role ports.

Ingress rate control

A rate controller is a means to limit the users access to the network, in case the available bandwidth is too small to handle all offered ingress packets.

Rate control is supported for every ingress flow on every DiffServEdge port. There is one rate controller per flow.

The actual ingressing data rate is permanently measured and compared against two provisionable data rates, the committed information rate (CIR), and the peak information rate (PIR).

On the LKA4 E/FE *TransLAN*[®], LKA412 E/FE *TransLAN*[®] and the LKA12(B) GbE *TransLAN*[®] units, a single rate two color marker acc. to IETF RFC2697 is supported.

On the LKA53 GbE *TransLAN*[®] unit, a two-rate three-color marker acc. to IETF RFC2698 is supported.

Please note that the Token Bucket rate controller as proposed by the standards may lead to the effect that longer frames will more likely be dropped. Consider a signal containing two flows, consisting of frames with fixed frame lengths, that are interleaved with a frequency ratio inverts to their frame lengths. If this signal is fed to a rate controller, then one frame length will more likely to be dropped than the other. This is not a wrong behavior. However, please note that the effect is a typical testing issue. In reality this will not happen, because usually many different frame lengths are received.

The colors are used to specify the dropping precedence. The two rates are used as delimiter between the colors.

The three colors indicate:

- *Green*: Low dropping precedence.
- *Yellow*: Higher dropping precedence.
- *Red*: The packet will be dropped.

The two rates mean:

Committed Information Rate (CIR)

If the ingressing data rate is less than the committed information rate, all frames will be admitted to the egress queues. These frames will be marked “green”, and have a low probability to be dropped at the egress queues.

The committed information rate is the delimiter between green and yellow packets.

<p><i>Peak Information Rate (PIR)</i></p>	<p>The peak information rate is the delimiter between yellow and red packets. If the ingressing data rate is greater than the committed information rate (CIR), but less than the peak information rate (PIR), the frames will be admitted to the egress queues. They will be marked “yellow” and have an increased probability to be dropped.</p> <p>If the information rate is greater than the PIR, the frames will be marked “red” and dropped immediately.</p>
<p><i>Committed Burst Size (CBS)</i></p>	<p>For any QoS profile, except the default profiles, you can assign a Committed Burst Size (CBS). The CBS can either be directly provisioned or derived from the CIR.</p> <p>The CBS is the maximum number of bytes allowed for incoming packets to burst above the CIR, but still be marked green. When the CBS has been exceeded, packets above the CIR are marked yellow.</p> <p>The Peak Burst Size (PBS) must be greater than or equal to the Committed Burst Size (CBS).</p>
<p><i>Peak Burst Size (PBS)</i></p>	<p>For any QoS profile, except the default profiles, you can assign a Peak Burst Size (PBS). The PBS can either be directly provisioned or derived from the PIR.</p> <p>The PBS is the maximum number of bytes allowed for incoming packets to burst above the PIR and still be marked yellow (or green). When the burst size has been exceeded, packets above the PIR are marked red (dropped).</p> <p><i>The Peak Burst Size (PBS) must be greater than or equal to the Committed Burst Size (CBS).</i></p>

In general, the behavior of the rate controller is characterized as follows:

- All packets below CIR are marked green.
- All packets above CIR are marked yellow.
- All packets above PIR are marked red and dropped.

A precondition for marking to take place is that the oversubscription mode is enabled. Marking of frames affects the p0 bit of the VLAN Priority Tag (VPT). If a frame is marked green the p0 bit is set to 1. If a frame is marked yellow the p0 bit is set to 0.

All *TransLAN*[®] rate controllers are *color-unaware* rate controllers. Possible color information that is already available in an incoming frame is *not* taken into consideration.

Important! Provisioning of rate controllers does not apply to DiffServInt ports. Rate controllers are only present on DiffServEdge ports in the ingress direction.

Rate control modes

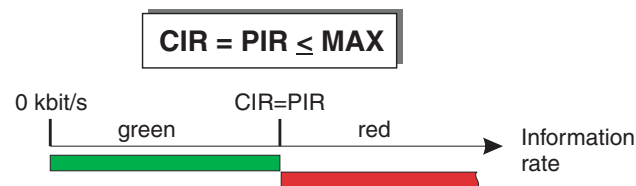
Each customer-role port can be assigned a committed information rate (CIR) and a peak information rate (PIR) by using a QoS profile (see “Quality of Service provisioning” (p. 2-117)). In case oversubscription support is enabled (QoS_osub = enabled), then the relationship between CIR and PIR This information is provisioned per LAN port and applies to the rate of data which is inserted at that port. Each LAN port of a V-LAN may have different CIRs assigned. If the CIR is exceeded, then the behavior depends on the chosen bandwidth policy mechanism for that port.

The rate controller can operate in two different modes:

1. Strict policing mode (CIR = PIR)

The strict policing mode allows each user to subscribe to a minimum committed SDH WAN bandwidth, or CIR (committed information rate). This mode will guarantee the bandwidth up to CIR but will drop any additional incoming frames at the ingress LAN port that would exceed the CIR.

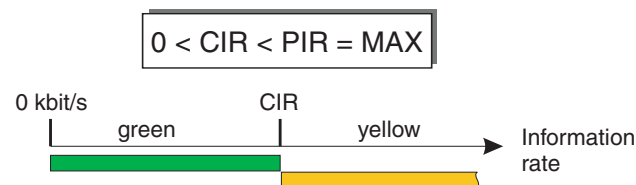
All packets below CIR are marked green; all packets above PIR (= CIR) are marked red and dropped.

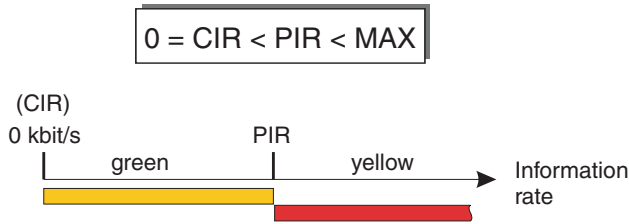


2. Oversubscription mode (CIR < PIR)

The oversubscription mode allows users to burst their data flow to a maximum available WAN bandwidth at a given instance. When PIR is set equal to the maximum of the physical network port bandwidth, then a user is allowed to send more data than the specified CIR. The additional data flow above CIR has a higher dropping probability.

The following two cases can be differentiated in oversubscription mode.





Provisioning the rate control mode

The desired rate control mode can be chosen by enabling/disabling oversubscription support ($QoS_osub = enabled/disabled$), and by setting the CIR and PIR values. CIR and PIR values can be set by means of QoS profiles (see [“Quality of Service provisioning”](#) (p. 2-117)).

The setting of the QoS_osub configuration parameter in combination with the relationship between CIR and PIR determines which rate control mode becomes effective. If, for example, oversubscription support is enabled, and the relationship between CIR and PIR is $CIR = PIR \leq MAX$, then the rate controller is operated in strict policing mode.

Important!

1. Which of the rate control modes can actually be configured depends on the mode of operation (see [“Quality of Service configuration options”](#) (p. 2-103)).
2. As a general rule it is recommended to use the oversubscription mode for TCP/IP applications, especially in case of meshed or ring network topologies where multiple end-users share the available bandwidth.

Dropper / Marker

Based on the indication of the rate controller, and the rate control mode for the flow, the dropper/marker will do the following:

	No rate control	Oversubscription mode	Strict policing mode
Incoming rate < CIR	mark “green”	mark “green”	mark “green”
Incoming rate > CIR	mark “green”	mark “yellow”	drop

In the dropper function a decision is made whether to drop or forward a packet. On a *TransLAN*TM card a deterministic dropping from tail when the queue is full is implemented.

The LKA53 supports Random Early Drop (RED), instead of tail drop. The LKA53 RED parameters are internally fixed, not provisionable.

Packets that are marked red are always dropped. If WAN Ethernet link congestion occurs, frames are dropped. Yellow packets are always dropped before any of the green packets are dropped. This is the only dependency on queue occupation and packet color that is currently present in the dropper function. No provisioning is needed.

Default user priority

A default user priority can be configured for each customer-role port. Possible values are 0 (lowest priority) ... 7 (highest priority) in steps of 1. The default setting is 0.

Provisioning of the default user priority does *not* apply to network-role ports.

The default user priority is treated differently depending on the tagging mode:

- LAN-VPN (M-LAN) mode

Incoming frames without a user priority encoding (untagged frames) are treated as if they had the default user priority.

- IEEE 802.1Q VLAN tagging mode and provider bridge mode

Incoming frames without a user priority encoding (untagged frames) get a default user priority assigned. This C-UP may be further on equal to a user priority given by one of the provisioned flow descriptors. The subsequent traffic class assignment for this flow, however, will overwrite this C-UP bits again.

Traffic classes

At each ingress port, the traffic class (TC) for each frame is determined. At customer-role ports, this is done via the flow identification and the related provisioned traffic class. At network-role ports, the traffic class is directly derived from the p-bits of the outermost VLAN tag.

Depending on the operation mode, these traffic classes exist:

Provider bridge mode and IEEE 802.1Q VLAN tagging mode <i>with</i> encoding of the dropping precedence	The traffic class is encoded in the user priority bits using p2 and p1. Thus, 4 traffic classes are defined: 0, 1, 2, 3.
IEEE 802.1Q VLAN tagging mode <i>without</i> encoding of the dropping precedence	The traffic class is encoded in the user priority bits using p2, p1, and p0. Thus, 8 traffic classes are defined: 0, 0-, 1, 1-, 2, 2-, 3, 3-. The “n” traffic classes differ from the “n-” traffic classes in the value of the p0 bit.

Notes:

1. The support of dropping precedence encoding and evaluation can be enabled or disabled per virtual switch by means of the QoS_osub configuration parameter (QoS_osub = enabled/disabled). All virtual switches belonging to the same *TransLAN*TM network must be provisioned equally for their TPID and this QoS_osub configuration parameter.

These tables show the traffic class encoding in the user priority bits:

Traffic class	p2	p1
0	0	0
1	0	1
2	1	0
3	1	1

Traffic class	p2	p1	p0
0	0	0	1
1	0	1	1
2	1	0	1
3	1	1	1
0-	0	0	0
1-	0	1	0
2-	1	0	0
3-	1	1	0

For the IEEE 802.1Q VLAN tagging mode with oversubscription support (QoS_osub = enabled) it is recommended not to use the n- classes, otherwise all frames will always be marked yellow (i.e. they will have a higher dropping precedence; p0 = 0). In the provider bridge mode, any assignment of an n- class will be recognized as the related n class (tolerant system behavior for inconsistent provisioning).

Traffic class to queue assignment

The assignment of the traffic classes to the egress queues is as follows:

Transparent tagging		IEEE 802.1Q VLAN tagging and IEEE 802.1ad VLAN tagging (provider bridge mode)	
Traffic class	Queue	Traffic class	Queue
3, and Internal use	4	Internal use	3
2	3	3 (and 3 -)	4
1	2	2 (and 2-)	2
0	1	1 (and 1-) and 0 (and 0-)	1

Notes:

1. “Internal use” means that the queue is used for network management traffic (spanning tree BPDU's or GVRP PDU's, for example).

Queueing

The egress treatment is the same for customer-role and network-role ports.

Every port has four associated egress queues. The queues 1 and 2 are to be used for delay-insensitive traffic (for instance file transfer); the queues 3 and 4 are to be used for delay-sensitive traffic (for instance voice or video).

Please refer to [“Traffic class to queue assignment”](#) (p. 2-114) for the assignment of the traffic classes to the egress queues.

Repeater mode

In the repeater mode, there is no queueing process as described above. All frames go through the same queue.

Scheduler

The preceding functional blocks assure that all packets are mapped into one of the egress queues, and that no further packets need to be dropped.

The scheduler (only available on E/FE *TransLAN*[™] cards) determines the order, in which packets from the four queues are forwarded. The scheduler on each of the four queues can be in one of two operational modes, strict priority or weighted bandwidth. Any combination of queues in either of the two modes is allowed. When exactly one queue is in weighted bandwidth mode, it is interpreted as a strict priority queue with the lowest priority.

Provided that Quality of Service - Classification, Queuing and Scheduling (QoS CQS, cf. [“Quality of Service configuration options”](#) (p. 2-103)) is enabled, the queue scheduling method can be configured as follows:

Queue scheduling method	
<i>Strict priority</i>	<p>The packets in strict priority queues are forwarded strictly according to the queue ranking. The queue with the highest ranking will be served first. A queue with a certain ranking will only be served when the queues with a higher ranking are empty.</p> <p>The strict priority queues are always served before the weighted bandwidth queues.</p>
<i>Weighted bandwidth</i>	<p>The weights of the weighted bandwidth queues will be summed up; each queue gets a portion relative to its weight divided by this summed weight, the so-called normalized weight. The packets in the weighted bandwidth queues are handled in a Round-Robin order according to their normalized weight.</p>

Each of the two modes has his well-known advantages and drawbacks. Strict priority queues will always be served before weighted bandwidth queues. So with strict priority, starvation of the lower priority queues cannot be excluded. Starvation should be avoided by assuring that upstream policing is configured such that the queue is only allowed to occupy some fraction of the output link's capacity. This can be done by setting the strict policing rate control mode for the flows that map into this queue, and specifying an appropriate value for the CIR. The strict priority scheme can be used for low-latency traffic such as Voice over IP and protocol data such as spanning tree BPDU's or GVRP PDU's.

Weighted bandwidth queues are useful to assign a guaranteed bandwidth to each of the queues. The bandwidth can of course only be guaranteed if concurrent strict priority queues are appropriately rate-limited.

Usually the queue with the lowest number also has the lowest ranking order, but the ranking order of the strict priority queues can be redefined.

Important! It is recommended *not* to change the mode and ranking of the queue which is used by protocol packets like spanning tree BPDU's and GVRP PDU's (queue 3 or queue 4, respectively; cf. [“Traffic class to queue assignment”](#) (p. 2-114)).

Weight

A weight can be assigned to each port's egress queue in order to define the ranking of the queue.

The weight of a strict priority queue has a significance compared to the weight of other strict priority queues only.

The weight of a weighted bandwidth queue has a significance compared to the weight of other weighted bandwidth queues only.

The weights of the weighted bandwidth queues are normalized to 100%, whereas the normalized weights of the strict priority queues indicate just ordering.

Example

The following table shows an example of a scheduler table:

Queue	Queue scheduling method	Weight	Normalized weight
1	Weighted bandwidth	5	50%
2	Strict priority	9	1
3	Weighted bandwidth	5	50%
4	Strict priority	15	2

The strict priority queues are served before the weighted bandwidth queues. The strict priority queue with the highest weight is served first, queue 4 in this example.

In this example, after serving the strict priority queues 4 and 2, the remaining bandwidth is evenly divided over queues 1 and 3.

Depending on the mode of operation, queue 3 or queue 4 is used for network management traffic, for instance for the spanning tree protocol (see [“Traffic class to queue assignment”](#) (p. 2-114)). Hindering this traffic can influence Ethernet network stability.

Default settings

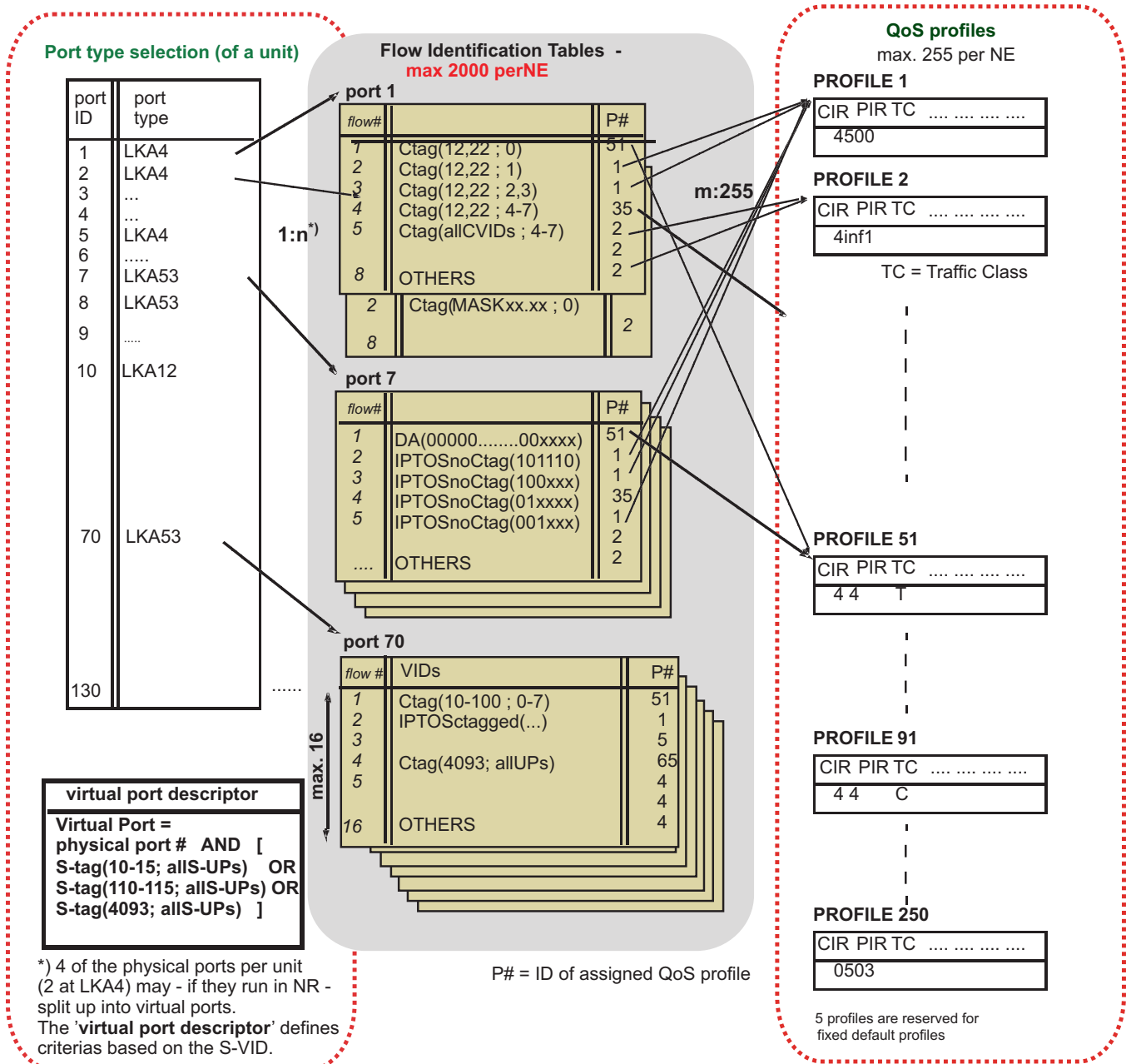
These are the default settings of the queue scheduling method and weight:

Queue	Queue scheduling method	Weight
1	Strict priority	1
2	Strict priority	2
3	Strict priority	3
4	Strict priority	4

Quality of Service provisioning

QoS provisioning concept

A 3-stage provisioning concept is used for QoS provisioning. This concept can easily be adapted to different provisioning needs in different network applications.



The basic QoS provisioning concept consists of the following stages:

1. For each *port* one or more customized flow identification tables (FIT) can be assigned.

An FIT can be assigned either to an entire physical port, or to a fraction of a physical port, i.e. to a so-called “*virtual port*”. Only E-NNI trunk ports can be split into virtual ports each having an FIT assigned. A virtual port can be defined by means of a virtual port descriptor (VPD).

In case more than one FIT is assigned, each FIT is related to usually one virtual port. Each FIT may also be related to several virtual ports, provided they are identified by the same virtual port descriptor (VPD).

2. The *flow identification tables* contain the identification criteria for the flows (for example the values of the C-VID and/or C-UP). Furthermore, the flow identification tables contain a reference identifying the assigned QoS profile.

Up to 2000 flow identification tables are supported per network element.

3. The *QoS profiles* contain the provisioning parameters (CIR, PIR, traffic class).

Using this method of QoS provisioning via QoS profiles can be enabled or disabled on a per-NE basis.

On a per-port basis you can decide to only use default QoS profiles, or to define your own QoS profiles in order to accomplish flow configuration.

Port type selection

The following applies to the port type selection

- Links each port to a FIT instance
- thereby a selection to a certain type of FIT is done, any selectable FIT type matches to the capabilities/deficiencies of a dedicated unit.

Flow identification tables (FIT)

The following applies to the flow Identification Tables (FIT):

- Up to 2000 FITs are supported per network element.
- The FITs can have mixed entries of several flow descriptors.

There exists one FIT type per HW unit (LKA4, LKA12B, LKA53, LKA58).

- A FIT has one or more lines up to a limit typical for the FIT type
- Each line has a pointer which links to exactly one profile; one profile can be linked by several lines from different FITs assigned.
- The last populated line of a FIT is always the OTHERS flow.
- An NE supports up to 2000 FITs.
- Several tailored variants exist to reflect the different HW limitations

...e.g. in number of flows available in total or

...e.g. of the lookup algorithms for flows

- The FITs can have mixed entries of several flow descriptors.

There exists one FIT type per HW unit (LKA4, LKA12B, LKA53, LKA58).

QoS profiles

The following applies to provisioning profiles

- simplifies the provisioning - only a few provisioning profiles per NE are to be entered by operator
- allows in general the independent provisioning of CIR and PIR for 2-stage rate controllers.
- requires the provisioning of a traffic class .
- Profiles can be assigned to customer-role ports as well as to network-role ports.

Fixed default profiles exist for customer-role and network-role ports for a sense full default provisioning.

- QoS_osub=disabled leads to ignore the PIR values and to internally use PIR=CIR instead .

Provisioning defaults

The parameter settings in the default QoS profiles for customer-role and network-role ports are:

Port role	CIR	PIR	TC
Customer-role	MAX	MAX	0
Network-role	MAX	MAX	T

The traffic class “T” is the so-called “transparent traffic class”. The p-bits of the outermost tag (S-UP of the S-tag, or UP of the VLAN tag) remain unchanged, i.e. keep their value which has been assigned by a data unit anywhere upstream.

Explicit provisioning of the flow identification at network-role ports is only intended in the case of so called external network-network interfaces (E-NNIs) connecting to the network of other operators, or to trunking routers, respectively.

TPID (Ethertype) translation

Overview

TPID (Ethertype) translation is supported by:

- *Metropolis*[®] ADM (Universal shelf)

Functional principle

On specific gateway ports, it is possible to translate the value of the VLAN TPID (Ethertype) of the outermost VLAN tag (S-tag) of every outgoing IEEE 802.1ad frame into a different provisionable TPID value. The inverse function is present in the reverse direction. This TPID (Ethertype) translation is often also referred to as “Ethertype swapping”.

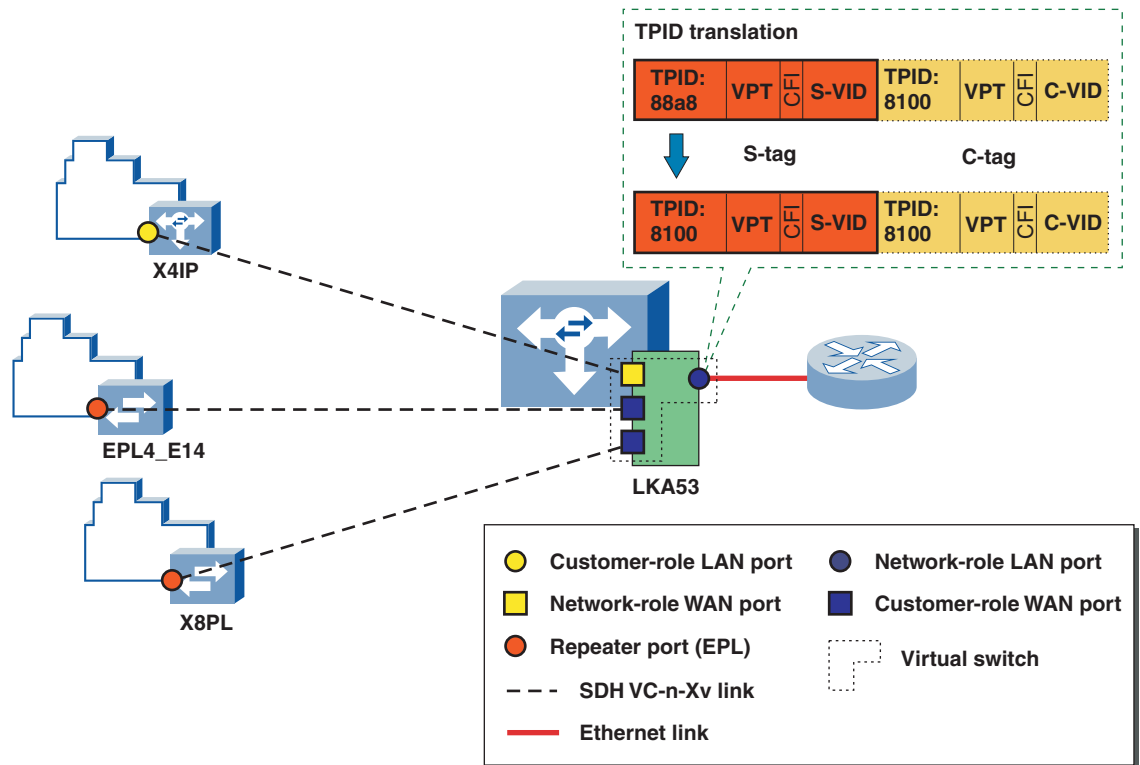
Please observe the following rules:

- TPID (Ethertype) translation is supported by the LKA53 *TransLAN*[™] card only.
- TPID (Ethertype) translation is supported on network-role ports only.
- TPID (Ethertype) translation is supported in the provider bridge mode only.
- One replacement Ethertype is supported per LKA53 *TransLAN*[™] card.

Application example

The TPID (Ethertype) translation enables interworking with other systems using the provider bridge mode or proprietary tagging schemes similar to the provider bridge mode, but using a different value of the TPID. For example, by using TPID (Ethertype) translation, an Ethernet network can be connected to where a value of 0x8100 is used for the Ethertype of the outermost VLAN tag (S-tag).

The following figure illustrates this example:



p-bits/CFI dropping precedence encoding translation

Introduction

In *TransLAN*[™] systems, the dropping precedence of an Ethernet frame is encoded in the p0 bit of the p-bits. An alternative approach is to use the CFI bit of the S-tag to encode the dropping precedence. In that case, the S-CFI bit is called DE.

In *TransLAN*[™] systems, the CFI bit is *not* used. In order to support interworking with Ethernet networks where the CFI bit of the S-tag is used to encode the dropping precedence, *Metropolis*[®] ADM (Universal shelf) systems provide a dropping precedence encoding translation.

Functional principle

On specific gateway ports, it is possible to detect the 4 bit value of the p-bits (p2, p1, p0) and the CFI bit of the outermost VLAN tag and overwrite it by another 4 bit value.

This p-bits/CFI dropping precedence encoding is characterized as follows:

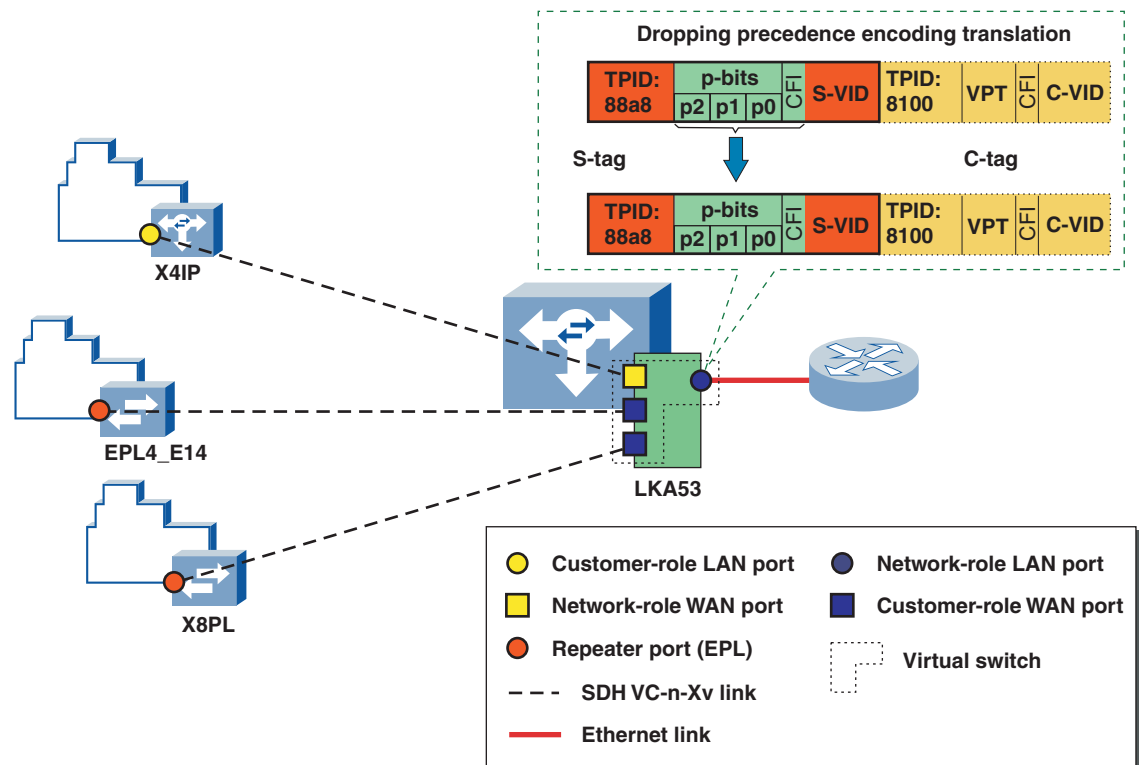
- The p-bits/CFI dropping precedence encoding translation is supported ...
 - ... on network-role ports only.
 - ... by the LKA53 *TransLAN*[™] card only.
 - ... in the provider bridge mode only.
- One common provisionable replacement matrix, of 4 × 4 possible indices, is supported for any network role port per LKA53 *TransLAN*[™] card.

Application example

At each ingress LAN or ingress WAN port, any values of the p-bits and the CFI bit, within the S-tag of every received frame, can be exchanged by other values. Any of the 16 possible p-bits and the CFI bit combinations can be provisioned to be replaced by another value set.

At each egress LAN or egress WAN port, any values of the p-bits and the CFI bit, within the S-tag of every transmitted frame, can be exchanged by other values. Any of the 16 possible p-bits/CFI bit combinations can be provisioned to be replaced by another value set.

The following figure illustrates this example:



Priority encoding according to IEEE 802.1ad

In the IEEE 802.1ad standard, the following priority encoding schemes are defined:

8P0D	Eight different priorities can be differentiated, none of them having a dropping precedence (DP) indication.
7P1D	Seven different priorities can be differentiated. One of them has a dropping precedence (DP) indication.
6P2D	Six different priorities can be differentiated. Two of them have a dropping precedence (DP) indication.
5P3D	Five different priorities can be differentiated. Three of them have a dropping precedence (DP) indication.

Predefined mapping schemes

Predefined mapping schemes are available for interworking with Ethernet networks which support priority encoding in accordance with the IEEE 802.1ad standard.

Ingress direction

The following predefined mapping schemes are available for the ingress direction (IEEE 802.1ad priority encoding → *TransLAN*[®] encoding):

8P0D		→		TransLAN		Traffic class and dropping precedence	
p2	p1	p0	CFI	p2	p1	p0	CFI
binary		hex.		binary		hex.	
1111	F	1111	F	3	green		
1110	E	1110	E	3	green		
1101	D	1111	F	3	green		
1100	C	1110	E	3	green		
1011	B	1011	9	2	green		
1010	A	1010	A	2	green		
1001	9	1011	9	2	green		
1000	8	1010	A	2	green		
0111	7	0111	7	1	green		
0110	6	0110	6	1	green		
0101	5	0111	7	1	green		
0100	4	0110	6	1	green		
0011	3	0011	3	0	green		
0010	2	0010	2	0	green		
0001	1	0011	3	0	green		
0000	0	0010	2	0	green		

7P1D		→	TransLAN																	
<table border="1"> <tr> <td>p2</td> <td>p1</td> <td>p0</td> <td>CFI</td> </tr> <tr> <td>binary</td> <td colspan="3">hex.</td> </tr> </table>		p2	p1	p0	CFI	binary	hex.				<table border="1"> <tr> <td>p2</td> <td>p1</td> <td>p0</td> <td>CFI</td> </tr> <tr> <td>binary</td> <td>hex.</td> <td colspan="2">Traffic class and dropping precedence</td> </tr> </table>		p2	p1	p0	CFI	binary	hex.	Traffic class and dropping precedence	
p2	p1	p0	CFI																	
binary	hex.																			
p2	p1	p0	CFI																	
binary	hex.	Traffic class and dropping precedence																		
1111	F		1111	F	3 green															
1110	E		1110	E	3 green															
1101	D		1111	F	3 green															
1100	C		1110	E	3 green															
1011	B		1011	B	2 green															
1010	A		1010	A	2 green															
1001	9		1001	9	2 yellow															
1000	8		1000	8	2 yellow															
0111	7		0111	7	1 green															
0110	6		0110	6	1 green															
0101	5		0111	7	1 green															
0100	4		0110	6	1 green															
0011	3		0011	3	0 green															
0010	2		0010	2	0 green															
0001	1		0011	3	0 green															
0000	0		0010	2	0 green															

6P2D		TransLAN										
<table border="1"> <tr> <td>p2</td> <td>p1</td> <td>p0</td> <td>CFI</td> </tr> </table>		p2	p1	p0	CFI	<table border="1"> <tr> <td>p2</td> <td>p1</td> <td>p0</td> <td>CFI</td> </tr> </table>		p2	p1	p0	CFI	Traffic class and dropping precedence
p2	p1	p0	CFI									
p2	p1	p0	CFI									
binary	hex.	binary	hex.									
1111	F	1111	F	3 green								
1110	E	1110	E	3 green								
1101	D	1111	F	3 green								
1100	C	1110	E	3 green								
1011	B	1011	B	2 green								
1010	A	1010	A	2 green								
1001	9	1001	9	2 yellow								
1000	8	1000	8	2 yellow								
0111	7	0111	7	1 green								
0110	6	0110	6	1 green								
0101	5	0101	5	1 yellow								
0100	4	0100	4	1 yellow								
0011	3	0011	3	0 green								
0010	2	0010	2	0 green								
0001	1	0011	3	0 green								
0000	0	0010	2	0 green								

5P3D		→	TransLAN		
p2	p1	p0	CFI	Traffic class and dropping precedence	
binary	hex.	binary	hex.		
1111	F	1111	F	3	green
1110	E	1110	E	3	green
1101	D	1111	F	3	green
1100	C	1110	E	3	green
1011	B	1011	B	2	green
1010	A	1010	A	2	green
1001	9	1001	9	2	yellow
1000	8	1000	8	2	yellow
0111	7	0111	7	1	green
0110	6	0110	6	1	green
0101	5	0101	5	1	yellow
0100	4	0100	4	1	yellow
0011	3	0001	1	0	yellow
0010	2	0000	0	0	yellow
0001	1	0011	3	0	green
0000	0	0010	2	0	green

Egress direction

The following predefined mapping schemes are available for the egress direction (*TransLAN*[®] encoding → IEEE 802.1ad priority encoding):

TransLAN				→	8P0D			
p2 p1 p0 CFI		Traffic class and dropping precedence		p2 p1 p0 CFI		Traffic class and dropping precedence		
binary	hex.			binary	hex.			
1111	F	3	green	1111	F	3	green	
1110	E	3	green	1110	E	3	green	
1101	D	3	yellow	1111	F	3	green	
1100	C	3	yellow	1110	E	3	green	
1011	B	2	green	1011	B	2	green	
1010	A	2	green	1010	A	2	green	
1001	9	2	yellow	1011	B	2	green	
1000	8	2	yellow	1010	A	2	green	
0111	7	1	green	0111	7	1	green	
0110	6	1	green	0110	6	1	green	
0101	5	1	yellow	0111	7	1	green	
0100	4	1	yellow	0110	6	1	green	
0011	3	0	green	0001	1	0	yellow	
0010	2	0	green	0000	0	0	yellow	
0001	1	0	yellow	0001	1	0	yellow	
0000	0	0	yellow	0000	0	0	yellow	

TransLAN				→	7P1D			
p2 p1 p0 CFI		Traffic class and dropping precedence		p2 p1 p0 CFI		Traffic class and dropping precedence		
binary	hex.			binary	hex.			
1111	F	3	green	1111	F	3	green	
1110	E	3	green	1110	E	3	green	
1101	D	3	yellow	1111	F	3	green	
1100	C	3	yellow	1110	E	3	green	
1011	B	2	green	1011	B	2	green	
1010	A	2	green	1010	A	2	green	
1001	9	2	yellow	1001	9	2	yellow	
1000	8	2	yellow	1000	8	2	yellow	
0111	7	1	green	0111	7	1	green	
0110	6	1	green	0110	6	1	green	
0101	5	1	yellow	0111	7	1	green	
0100	4	1	yellow	0110	6	1	green	
0011	3	0	green	0001	1	0	yellow	
0010	2	0	green	0000	0	0	yellow	
0001	1	0	yellow	0001	1	0	yellow	
0000	0	0	yellow	0000	0	0	yellow	

TransLAN				→	6P2D			
p2 p1 p0 CFI		Traffic class and dropping precedence		p2 p1 p0 CFI				
binary	hex.			binary	hex.			
1111	F	3	green	1111	F			
1110	E	3	green	1110	E			
1101	D	3	yellow	1111	F			
1100	C	3	yellow	1110	E			
1011	B	2	green	1011	B			
1010	A	2	green	1010	A			
1001	9	2	yellow	1001	9			
1000	8	2	yellow	1000	8			
0111	7	1	green	0111	7			
0110	6	1	green	0110	6			
0101	5	1	yellow	0101	5			
0100	4	1	yellow	0100	4			
0011	3	0	green	0001	1			
0010	2	0	green	0000	0			
0001	1	0	yellow	0001	1			
0000	0	0	yellow	0000	0			

TransLAN				→	5P3D			
p2 p1 p0 CFI		Traffic class and dropping precedence		p2 p1 p0 CFI				
binary	hex.			binary	hex.			
1111	F	3	green	1111	F			
1110	E	3	green	1110	E			
1101	D	3	yellow	1111	F			
1100	C	3	yellow	1110	E			
1011	B	2	green	1011	B			
1010	A	2	green	1010	A			
1001	9	2	yellow	1001	9			
1000	8	2	yellow	1000	8			
0111	7	1	green	0111	7			
0110	6	1	green	0110	6			
0101	5	1	yellow	0101	5			
0100	4	1	yellow	0100	4			
0011	3	0	green	0001	1			
0010	2	0	green	0000	0			
0001	1	0	yellow	0011	3			
0000	0	0	yellow	0010	2			

Performance monitoring

Performance counters

On the VC-12, VC-3 or VC-4 termination points connected to a WAN port, standard SDH performance monitoring can be activated. The same counters that apply for VC-12, VC-3 or VC-4 termination points on any other port also apply to the VC-12, VC-3 or VC-4 termination points on a WAN port.

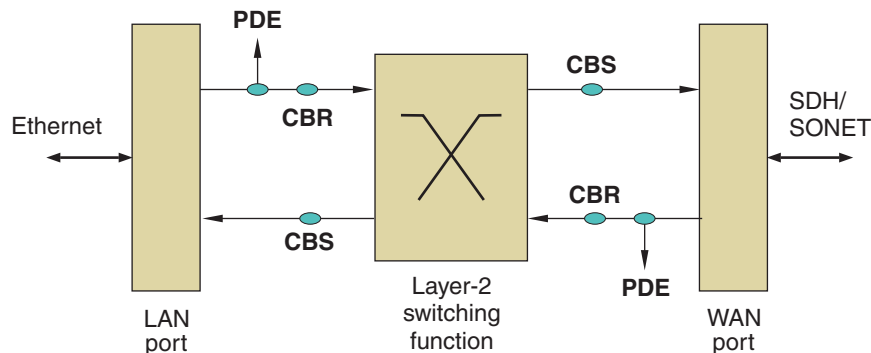
Apart from this standard SDH performance monitoring, a limited amount of counters that are dedicated to LAN/WAN ports are defined. Activation of these counters can be established by setting:

- the LAN/WAN port mode to monitored
- selecting a LAN port or WAN port as active PM point
- setting the PM point type to LAN or WAN.

The supported counters are:

- *CbS* (total number of bytes sent)
- *CbR* (total number of bytes received)
- *pDe* (total number of errored packets dropped)

Note that CbS and CbR are rather traffic monitoring counters than performance monitoring counters, as they give insight in the traffic load in all places in the network. pDe is a real performance monitoring counter as it gives an indication about the performance of the network. Only unidirectional PM is supported for these parameters. See the following figure for the location of the measurements. Note that because of the difference in units, bytes versus packets, the counters cannot be correlated with each other. Also the counter for dropped packets considers only packets dropped due to errors, and does not include packets dropped due to congestion.



Performance counters for aggregated ports

The performance counters related to a link aggregation group (LAG) reflect the counts of the signals transmitted/received over all the aggregated ports of the LAG.

Ethernet performance monitoring counters

The Ethernet performance monitoring counters can be categorized according to the different purposes they are serving.

The following types of counters can be distinguished:

- Counters for basic Ethernet performance monitoring
- Service monitoring:
 - Counters for Ethernet service flow performance monitoring
- Traffic management:
 - High quality traffic counters for Ethernet network load performance monitoring
 - Low quality traffic counters for Ethernet network load performance monitoring
 - Counters for Ethernet congestion monitoring
- Counters for IEEE 802.3ah OAM performance monitoring
- Counters for Ethernet service route round trip delay measurements

Ethernet PM counters per *TransLAN*[®] card

Ethernet performance monitoring counter	<i>TransLAN</i> [®] card			
	LKA4	LKA412	LKA12	LKA53
Basic Ethernet performance monitoring counters	✓	✓	✓	✓
Ethernet service flow performance monitoring counters	✓	✓	–	✓
Ethernet high quality traffic counters	✓	✓	–	✓
Ethernet low quality traffic counters	✓	✓	–	✓
Ethernet congestion monitoring counters	–	–	–	✓
IEEE 802.3ah OAM performance monitoring counters	–	–	–	✓
Ethernet service route round trip delay measurements	✓	✓	–	✓

Enhanced Ethernet performance monitoring per *TransLAN*[®] card

Counters	<i>TransLAN</i> [®] card		
	LKA4 / LKA412	LKA12	LKA53
Enhanced basic Ethernet performance monitoring counters	✓	✓	✓
Ethernet service flow performance monitoring counters	✓	–	✓
Ethernet high quality traffic counters	✓	–	✓
Ethernet low quality traffic counters	✓	–	✓
Ethernet congestion monitoring counters	–	–	✓
IEEE 802.3ah OAM performance monitoring counters	–	–	✓
Ethernet service route round trip delay measurements	✓	–	✓

Binning and reporting

The following bins exist for Ethernet performance monitoring parameters:

- 1 current 15-minutes bin
- 16 history 15-minutes bins
- 1 current 24-hours bin
- 1 history 24-hours bin

Enhanced basic Ethernet PM counters

The Ethernet high quality traffic counters are supported by:

- see [“Enhanced Ethernet performance monitoring per *TransLAN*[®] card”](#) (p. 2-134).

The enhanced basic Ethernet performance monitoring parameters are counted per port.

The following counters are supported:

CbR	Total number of bytes received	
eINF	Ethernet Incoming Number of Frames	
eONF	Ethernet Outgoing Number of Frames	
eINCP	Ethernet Incoming Bytes trapped by CPU	
eONCP	Ethernet Outgoing Bytes inserted from CPU	
CbS	Total number of bytes sent	
pDe	Total number of packets dropped due to error	(TCA)
pUPR	Ethernet Incoming Number of Unicast Frames	
pMPR	Ethernet Incoming Number of Multicast Frames	

pBPR	Ethernet Incoming Number of Broadcast Frames
pUPS	Ethernet Outgoing Number of Unicast Frames
pMPS	Ethernet Outgoing Number of Multicast Frames
pBPS	Ethernet Outgoing Number of Broadcast Frames
pPCR	Ethernet Incoming Number of Frame with CRC Error
pPPR	Ethernet Incoming Number of Pause Frames received
pPPS	Ethernet Outgoing Number of Pause Frames transmitted

Notes:

1. The counters pPPR and pPPS are supported on LAN ports only. All other counters are supported on both LAN ports and WAN ports.
2. The counters pPPR and pPPS are *not* supported by the X4IP-V2 card.
3. The counters pUPR, pMPR, pBPR, pUPS, pMPS, pBPS are not supported by the LKA53 card (WAN side). Counters which are not supported by hardware are not displayed in the ITM-CIT PM results.

Cases considered by the pDE counter

The pDE counter, counting the total number of packets dropped due to error, covers the following cases:

- Frames that are discarded due to frame format errors:
 - Frame too long
 - Frame too short
 - CRC error
- Frames that are discarded due to ingress capacity problems (buffer overflow).

Specifics of different LAN units

If a port is *not* used in a virtual switch, or blocked by the spanning tree protocol, then the behavior regarding the pCbR, eINF, pUPR,pMPR, pBPR, and pPCR counters is different depending on which LAN unit is considered:

If in the ingress direction, “good” bytes/frames are received, then the behavior is as follows:

- the pCbR, eINF, pUPR,pMPR, pBPR, and pPCR counters will be increased for the LKA12 and LKA53 cards.
- the pCbR, eINF, pUPR,pMPR, pBPR, and pPCR counters will *not* be increased for the LKA4 and LKA412 cards.

Ethernet service flow PM counters

The Ethernet service flow PM counters are supported by:

- see [“Enhanced Ethernet performance monitoring per TransLAN® card”](#) (p. 2-134).

Ethernet services are monitored at DiffServEdge ingress ports (UNI and E-NNI ports).

Service flows can be identified by a flow descriptor (FD), based on C-tag (C-VID, C-UP), destination MAC address (DA), or IP-TOS byte, and at the E-NNI ports also by a virtual port descriptor (VPD), based on an S-tag (S-VID, S-UP). Please note that, if value ranges are used, a VPD describes multiple virtual ports.

The following counters are supported:

aQIB	Number of <i>all</i> incoming bytes for one service flow (before the rate controller)
gQIB	Number of incoming bytes of all frames marked green for one service flow
yQIB	Number of incoming bytes of all frames marked yellow for one service flow
rQIB	Number of incoming bytes of all frames marked red for one service flow

Notes:

1. For the LKA4, LKA412 and X4IP-V2 cards, only the aQIB counter is supported.
2. For the X5IP card, only the aQIB and gQIB counters are supported.
3. For the LKA53 and ASC108 cards, all the Ethernet service flow PM counters are supported.

Ethernet high quality traffic counters

The Ethernet high quality traffic counters are supported by:

- see [“Enhanced Ethernet performance monitoring per TransLAN® card”](#) (p. 2-134).

The Ethernet high quality traffic counters provide link load monitoring per traffic class and color (dropping precedence) for high-priority Ethernet traffic (traffic class 2 or 3, mapped into the egress queues 2 or 3 respectively).

The following counters are supported for Ethernet high quality traffic:

g2EINB	Number of incoming bytes of green frames with traffic class 2
y2EINB	Number of incoming bytes of yellow frames with traffic class 2
g3EINB	Number of incoming bytes of green frames with traffic class 3
y3EINB	Number of incoming bytes of yellow frames with traffic class 3
c3EIN	Number of incoming layer 1 payload bytes of green frames with traffic class 3 or internal (trapped) frames
c2EIN	Number of incoming layer 1 payload bytes of green frames with traffic class 2 or traffic class 3 or internal (trapped) frames

g2EINF	Number of incoming green frames with traffic class 2	
y2EINF	Number of incoming yellow frames with traffic class 2	
g3EINF	Number of incoming green frames with traffic class 3	
y3EINF	Number of incoming yellow frames with traffic class 3	
i3gEILS	Loaded second for incoming traffic with class 3 or internal traffic	(TCA)
i32gEILS	Loaded second for incoming traffic with class 3 or class 2 or internal traffic	(TCA)
i3gEISLS	Severely loaded second for incoming traffic with class 3 or internal traffic	(TCA)
i32gEISLS	Severely loaded second for incoming traffic with class 3 or class 2 or internal traffic	(TCA)

Notes:

1. “TCA” indicates that thresholding is supported for the respective parameter; see also [“Thresholding for Ethernet performance monitoring parameters”](#) (p. 2-143).

Important! Please note that enabling or disabling the oversubscription mode or the spanning tree protocol (STP) causes the counter values of the Ethernet high quality traffic counters to be no longer reliable. Therefore, manually reset the corresponding bins after enabling or disabling the oversubscription mode or the STP.

Loaded seconds

A loaded second is a second during which the received data traffic rate for Ethernet traffic of a particular class and color exceeded the provisionable threshold for loaded seconds. The threshold can be provisioned as a percentage of the nominal data rate at the respective port.

If the incoming traffic (for example, green frames of traffic class 3 or internal traffic) of one second needs more bandwidth than specified by the threshold value, the second is declared as a loaded second, and the respective counter is incremented by one.

The following provisionable thresholds for loaded seconds are defined:

gi3EILS Estimator (%)	Loaded seconds threshold for green frames of traffic class 3 or internal traffic
gi32EILS Estimator (%)	Loaded seconds threshold for green frames of traffic class 3 or traffic class 2 or internal traffic

Severely loaded seconds

A severely loaded second is a second during which the received data traffic rate for Ethernet traffic of a particular class and color exceeded the provisionable threshold for severely loaded seconds. The threshold can be provisioned as a percentage of the nominal data rate at the respective port.

If the incoming traffic (for example, green frames of traffic class 3 or internal traffic) of one second needs more bandwidth than specified by the threshold value, the second is declared as a severely loaded second, and the respective counter is incremented by one.

The following provisionable thresholds for severely loaded seconds are defined:

gi3EISLS Estimator (%)	Severely loaded seconds threshold for green frames of traffic class 3 or internal traffic
gi32EISLS Estimator (%)	Severely loaded seconds threshold for green frames of traffic class 3 or traffic class 2 or internal traffic

Ethernet low quality traffic counters

The Ethernet low quality traffic counters are supported by:

- see [“Enhanced Ethernet performance monitoring per TransLAN® card”](#) (p. 2-134).

The Ethernet low quality traffic counters provide link load monitoring per traffic class and color (dropping precedence) for low-priority Ethernet traffic (traffic class 0 and 1, mapped into the egress queue 1).

The following counters are supported for Ethernet low quality traffic:

g0EINB	Number of incoming bytes of green frames with traffic class 0
y0EINB	Number of incoming bytes of yellow frames with traffic class 0
g1EINB	Number of incoming bytes of green frames with traffic class 1
y1EINB	Number of incoming bytes of yellow frames with traffic class 1
g0EINF	Number of incoming green frames with traffic class 0
y0EINF	Number of incoming yellow frames with traffic class 0
g1EINF	Number of incoming green frames with traffic class 1
y1EINF	Number of incoming yellow frames with traffic class 1

There is *no thresholding* for Ethernet low quality traffic.

Important! Please note that enabling or disabling the oversubscription mode or the spanning tree protocol (STP) causes the counter values of the Ethernet low quality traffic counters to be no longer reliable. Therefore, manually reset the corresponding bins after enabling or disabling the oversubscription mode or the STP.

Ethernet congestion monitoring counters

The Ethernet congestion monitoring counters are supported by:

- see [“Enhanced Ethernet performance monitoring per TransLAN® card”](#) (p. 2-134).

The Ethernet congestion monitoring counters provide performance monitoring based on traffic class and color (dropping precedence).

The Ethernet congestion monitoring counters are *supported by the LKA53 and ASC108 cards only*.

The following counters are supported for Ethernet congestion monitoring:

g0EDBC	Number of bytes of dropped green frames with traffic class 0	
y0EDBC	Number of bytes of dropped yellow frames with traffic class 0	
g1EDBC	Number of bytes of dropped green frames with traffic class 1	
y1EDBC	Number of bytes of dropped yellow frames with traffic class 1	
g2EDBC	Number of bytes of dropped green frames with traffic class 2	
y2EDBC	Number of bytes of dropped yellow frames with traffic class 2	
g3EDBC	Number of bytes of dropped green frames with traffic class 3	
y3EDBC	Number of bytes of dropped yellow frames with traffic class 3	
g2EOCS	Green traffic class 2 Ethernet Output Congested Second	(TCA)
y2EOCS	Yellow traffic class 2 Ethernet Output Congested Second	(TCA)
g3EOCS	Green traffic class 3 Ethernet Output Congested Second	(TCA)
y3EOCS	Yellow traffic class 3 Ethernet Output Congested Second	(TCA)

Notes:

1. “TCA” indicates that thresholding is supported for the respective parameter; see also [“Thresholding for Ethernet performance monitoring parameters”](#) (p. 2-143).

Congested seconds

A “congested second” is a second during which one or more frames have been dropped due to congestion.

Congested seconds are counted for high-priority Ethernet traffic (traffic class 2 or 3) per traffic class, color (dropping precedence) and egress port.

IEEE 802.3ah OAM performance monitoring counters

IEEE 802.3ah OAM performance monitoring counters are supported by:

- see [“Enhanced Ethernet performance monitoring per TransLAN® card”](#) (p. 2-134).

The IEEE 802.3ah OAM (Operations, Administration & Maintenance) performance monitoring counters allow for diagnostic monitoring of the quality of an Ethernet link. For that purpose, IEEE 802.3ah OAM provides “Layer 1” Ethernet performance monitoring (L1 PM). L1 in this context refers to the line coding mechanisms in Ethernet physical layers.

While other Ethernet performance monitoring counters depend on the availability of Ethernet service traffic, IEEE 802.3ah OAM performance monitoring provides a way of monitoring an Ethernet link even if no Ethernet service frames are flowing.

Important! *IEEE 802.3ah OAM PM counters are supported by the LKA53 unit only, and only on LAN ports.*

The following counters are supported for IEEE 802.3ah OAM performance monitoring measurements:

bSyE	Near-end errored symbols	(TCA)
eS	Near-end errored seconds	(TCA)
sES	Near-end severely errored seconds	(TCA)
uAS	Near-end unavailable seconds	(TCA)
fEbSyE	Far-end errored symbols	(TCA)
fEES	Far-end errored seconds	(TCA)
fESES	Far-end severely errored seconds	(TCA)
fEUAS	Far-end unavailable seconds	(TCA)

Notes:

1. “TCA” indicates that thresholding is supported for the respective parameter; see also [“Thresholding for Ethernet performance monitoring parameters”](#) (p. 2-143).

The IEEE 802.3ah OAM performance monitoring points are provisionable independent of whether IEEE 802.3ah OAM is active or inactive on the LAN port. Thus, link supervision is possible also without having a remote OAM peer available. In this case of course, due to missing OAMPDUs, only the near-end counters are displaying reasonable values. The far-end counters will display “0” instead.

Related information

For more detailed information regarding IEEE 802.3ah OAM, please also refer to [“IEEE 802.3ah Operations, Administration and Maintenance \(OAM\)”](#) (p. 2-89).

Ethernet service route round trip delay measurements

Alcatel-Lucent 1663 ADMu systems feature a built-in round trip delay (RTD) measurement capability.

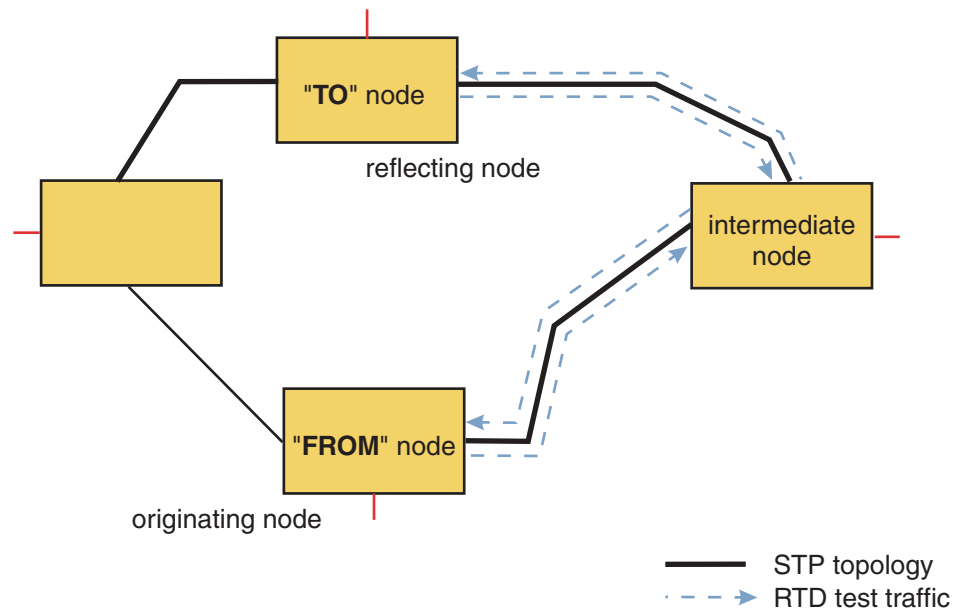
The round trip delay is measured between two virtual switches within an Ethernet network by means of a dedicated configurable test frame that determines the so-called "Ethernet service route". You can enable either a cyclic or a one-time RTD measurement to a remote virtual switch in the TransLAN network.

The remote virtual switch needs to be addressed by inserting its **RTD Bridge Address** which can be retrieved from the **Virtual Switch List** of the respective target NE. Furthermore, the traffic class, the color (dropping precedence), the VLAN identifier and the length of the test frames can be specified, because these parameters may have influence on the delay. The RTD measurement path follows the currently valid STP-topology.

The accuracy of the RTD measurement is $-0.5 \text{ ms} / +4 \text{ ms}$.

Functional principle of RTD measurements

The following figure illustrates the functional principle of Ethernet service route RTD measurements:



The principle of an RTD measurement is as follows:

1. In the local virtual switch (originating node, or “FROM” node), a test frame is generated with the specified VLAN identifier, traffic class, color and length. Furthermore, the test frame has the MAC address of the remote virtual switch as its destination MAC address (DA). The test frame determines the so-called “Ethernet service route”.
2. The test frame is forwarded within the Ethernet network to the remote virtual switch.
3. In the remote virtual switch, the destination and source addresses are interchanged, and the test frame is sent back towards the local virtual switch.
4. If the test frame is received at the local virtual switch within a certain time period, the RTD measurement is considered successful, and the RTD value can be determined.

The following scenarios can be distinguished:

- Cyclic measurements are performed if performance monitoring is enabled for the Ethernet service route. The RTD values are used to calculate the performance monitoring parameters.
- One-time measurements can be performed on demand.

Hardware support

Ethernet service route RTD measurements are supported by:

- see [“Enhanced Ethernet performance monitoring per TransLAN® card”](#) (p. 2-134).

LKA12 and LKA12B units can be used as intermediate nodes. However, LKA12 and LKA12B units *cannot* be used as originating nodes (“FROM nodes”) or reflecting nodes (“TO nodes”).

Configuration rules regarding Ethernet service route RTD measurements

Please observe the following configuration rules:

- Ethernet service route RTD measurements are only supported for virtual switches in the “Spanning Tree Switch” operation mode.
- The total number of Ethernet service routes per system is limited to 1024.
- The number of cyclic RTD measurements that can simultaneously be active per LAN unit is limited to 150.
- If the operational mode of the virtual switch is changed to repeater mode, then the Ethernet service route will be deleted.
- If an Ethernet service route is deleted, then also the attached PM points (current and historic bins) will be deleted.

PM counters for Ethernet service route round trip delay measurements

The PM counters for Ethernet service route round trip delay measurements are supported by:

- see [“Enhanced Ethernet performance monitoring per TransLAN® card”](#) (p. 2-134).

The following counters are supported for Ethernet service route round trip delay measurements:

mRTD	Minimum round trip delay	
aRTD	Average round trip delay	(TCA)
xRTD	Maximum round trip delay	(TCA)
p900RTD	90.0 percentile of round trip delay	
p990RTD	99.0 percentile of round trip delay	
p999RTD	99.9 percentile of round trip delay	
sRTDM	Number of successful round trip delay measurements	
uRTDM	Number of unsuccessful (timed out) round trip delay measurements	(TCA)

Notes:

1. “TCA” indicates that thresholding is supported for the respective parameter; see also [“Thresholding for Ethernet performance monitoring parameters”](#) (p. 2-143).

Thresholding for Ethernet performance monitoring parameters

Thresholding is supported for the following Ethernet performance monitoring parameters:

Parameter	Value range		TR threshold (default setting)		RTR threshold (default setting)	
	15 min	24 hrs	15 min	24 hrs	15 min	24 hrs
pDE	Ethernet Dropped Frames due to Error For information about the value ranges and default threshold settings, refer to “Thresholding for pDE” (p. 2-145).					
g2EOCS	green traffic class 2 Ethernet Output Congested Second					
	1 - 900	1 - 86 400	10	50	2	5
y2EOCS	yellow traffic class 2 Ethernet Output Congested Second					
	1 - 900	1 - 86 400	10	50	2	5
g3EOCS	green traffic class 3 Ethernet Output Congested Second					
	1 - 900	1 - 86 400	10	50	2	5
y3EOCS	yellow traffic class 3 Ethernet Output Congested Second					
	1 - 900	1 - 86 400	10	50	2	5
i3gEILS	Loaded Second for incoming traffic with class 3 or internal traffic					
	1 - 900	1 - 86 400	5	50	2	5

Parameter	Value range		TR threshold (default setting)		RTR threshold (default setting)	
	15 min	24 hrs	15 min	24 hrs	15 min	24 hrs
i32gEILS	Loaded Second for incoming traffic with class 3 or class 2 or internal traffic					
	1 - 900	1 - 86 400	5	50	2	5
i3gEISLS	Severly Loaded Second for incoming traffic with class 3 or internal traffic					
	1 - 900	1 - 86 400	5	50	2	5
i32gEISLS	Severly Loaded Second for incoming traffic with class 3 or class 2 or internal traffic					
	1 - 900	1 - 86 400	5	50	2	5
bSyE	Near-end errored symbols					
	1 - 112 499 999 100	1 - 10 799 999 913 600	36 000	48 000	200	4800
eS	Near-end errored seconds					
	1 - 900	1 - 86 400	180	1500	20	150
sES	Near-end severely errored seconds					
	1 - 810	1 - 77 760	15	20	0	0
uAS	Near-end unavailable seconds					
	1 - 900	1 - 86 400	15	20	0	0
fEbSyE	Far-end errored symbols					
	1 - 112 499 999 100	1 - 10 799 999 913 600	36 000	48 000	200	4800
fEES	Far-end errored seconds					
	1 - 900	1 - 86 400	180	1500	20	150
fESES	Far-end severely errored seconds					
	1 - 810	1 - 77 760	15	20	0	0
fEUAS	Far-end unavailable seconds					
	1 - 900	1 - 86 400	15	20	0	0
aRTD	Average round trip delay					
	0 - 9 999 000 [μs]		500 000 [μs]		480 000 [μs]	
xRTD	Maximum round trip delay					
	0 - 9 999 000 [μs]		1 000 000 [μs]		980 000 [μs]	
uRTDM	Number of unsuccessful (timed out) round trip delay measurements					
	0 - 1 920 000		10	40	8	38

Thresholding for pDE

The value ranges and the default settings of the TR and RTR thresholds depend on the link bandwidth and whether a LAN port or WAN port is considered; refer to the following tables.

TR threshold	
Value range	1 - 18 000 000 × link bandwidth (in Mbit/s)
Default setting for 15-minutes measurements	LAN port: 1875 × link bandwidth (in Mbit/s) WAN port: 10
Default setting for 24-hours measurements	LAN port: 9000 × link bandwidth (in Mbit/s) WAN port: 50

RTR threshold	
Value range	0 - 18 000 000 × link bandwidth (in Mbit/s)
Default setting for 15-minutes measurements	LAN port: 937.5 × link bandwidth (in Mbit/s) WAN port: 2
Default setting for 24-hours measurements	LAN port: 3600 × link bandwidth (in Mbit/s) WAN port: 5

Link Aggregation (LAG) uses the same default values for pDE as a regular LAN port.

Equipment features

Overview

Purpose

This section provides information about Alcatel-Lucent 1663 Add Drop Multiplexer-universal (1663 ADMu) features concerning hardware protection, inventory and failure reports.

Contents

Equipment protection	2-147
Optical interface modules	2-150
Equipment reports	2-151

Equipment protection

The following equipment protection is available:

- 1:N (N ≤ 4); in addition 4 x E1 units can be deployed unprotected
- 1+1 E3/DS3
- 1+1 STM-1e
- 1+1 DS1
- 1+1 on Cross-connect/Timing (core units)
- 1:N (N ≤ 4); in addition 4 x DS1 units can be deployed unprotected
- Power (50% + 50%)

Equipment protection configurations

Tributary Slots TS_n (n=1..8) can be used with “electrical” port units in combination with Paddle Boards. Core 1 and Core 2 slots are used for protection of Cross-Connect/Timing equipment (Core units). A number of equipment protection schemes can be applied to these units, as depicted in the figure below. The boxes with dark outlines indicate the possible positions of Worker (W) and Protection (P) units. The 1+1 protection schemes for tributaries are always in adjacent odd/even slot positions. The 1:N protection scheme provides more flexibility in positioning the worker units. The slot position of the protection unit however, is fixed. Free mixing of protection schemes is possible, as illustrated in the example configuration at the bottom of the figure.

	TS1	TS2	SC	CORE1	TS3	TS4	TS5	TS6	TS9	CORE2	TS7	TS8
SI-1e/4 1+1 Prot	U ^a	U			U	U	U	U			U	U
	W	P			W	P	W	P			W	P
PI-E3DS3/12 1+1 Prot	U	U			U	U	U	U			U	U
	W	P			W	P	W	P			W	P
PI-E1/63 1:N Prot N<= 4	U	U			U	U	U	U			U	U
							W	W	P		W	W
PI-DS1/63 1:N Prot N<= 4	U	U			U	U	U	U			U	U
							W	W	P		W	W
CC/Timing				W						P		
Example	W	P		W	W	P	W	W	P	P	W	P

1:N (N ≤ 4) E1 or 1:N (N ≤ 4) DS1

To one set of up to four worker E1 tributary units (or DS1 tributary units) one protection unit can be added. If one of the worker units fails, automatically this protection unit takes over. The E1/DS1 equipment protection is possible by assigning an E1/DS1 tributary unit to a slot position designated for this purpose.

Up to 4 worker units can then be added to or deleted from the E1/DS1 protection group. Worker units in the protection group must be in one of the four slots designated for this purpose. E1 or DS1 units that are not included in the protection group operate unprotected. The protection switching is revertive.

Manual and forced switch commands, as well as temporary lockout of protection are supported. A protection switch interrupts the traffic of the protected pack. A working unit, with its traffic switched to the protection unit, can be pulled or replaced without causing bit errors in the traffic, but as soon as a functioning unit is present again, the (revertive) protection algorithm will perform another switch, which does again interrupt the traffic.

The traffic interruption time is less than 50 ms with manual switch commands and less than 50 ms plus the detection time for automatic protection switches triggered by a failure. Note that the system provides a second set of four E1 tributary units that can not be made part of the 1:N protection group.

1+1 E3/DS3

For each working tributary plug-in unit for E3/DS3 interfaces, one protection unit can be added. If the working unit fails, automatically the protection circuit pack takes over. The switching operation is non-revertive. Clear, manual and forced switch commands are supported.

Unprotected operation is possible, whereby the slot space for the protection unit can be used to add an extra unprotected unit. If the 1+1 E3/DS3 unit equipment protection scheme is chosen, the working and protection units need to be in adjacent slots (4 designated odd/even slot pairs). A protection switch interrupts the traffic. The unit that is not active can be pulled or replaced without causing bit errors in the traffic.

The traffic interruption time is less than 50 ms with manual switch commands and less than 50 ms plus the detection time for automatic protection switches triggered by a failure.

1+1 STM1e

For each working tributary plug-in unit for STM-1e interfaces, one protection unit can be added. If the working unit fails, automatically the protection circuit pack takes over. The switching operation is non-revertive. Clear, manual and forced switch commands are supported.

Unprotected operation is possible, whereby the slot space for the protection unit can be used to add an extra unprotected unit. If the 1+1 STM-1e unit equipment protection scheme is chosen, the working and protection units need to be in adjacent slots (4 designated odd/even slot pairs). A protection switch interrupts the traffic. The unit that is not active can be pulled or replaced without causing bit errors in the traffic.

The traffic interruption time is less than 50 ms with manual switch commands and less than 50 ms plus the detection time for automatic protection switches triggered by a failure.

1+1 cross-connect/timing unit

The timing, cross-connect and line-port unit can be duplicated. If two units are present an automatic protection switch relation between the two is set up. The switching is non-revertive. Manual operation of protection is supported. Unprotected operation is possible.

The traffic interruption time is less than 50 ms with manual switch commands and less than 50 ms plus the detection time for automatic protection switches triggered by a failure. The unit that is not active can be pulled or replaced without causing bit errors in the traffic.

1+1 cross-connect/timing unit SI-S64.2 C1/1 and SI-L64.2 C2/1

The timing, cross-connect and line-port unit can be duplicated. If two units are present an automatic protection switch relation between the two is set up. The switching is non-revertive. Manual operation of protection is supported. Unprotected operation is possible.

The traffic interruption time is less than 50 ms with manual switch commands and less than 50 ms plus the detection time for automatic protection switches triggered by a failure. The unit that is not active can be pulled or replaced without causing bit errors in the traffic.

Optical interface modules

Alcatel-Lucent 1663 ADMu supports optical port units consisting of a parent board which can be equipped with field-replaceable optical interface modules, also called Small Form Factor Pluggable modules (SFPs).

An optical interface module is a replaceable unit with a receiver and transmitter function providing the optical port. Alcatel-Lucent 1663 ADMu optical interface modules are “hot pluggable” (field-replaceable), i.e. the interface modules can be inserted or removed while the parent board is in operation, without affecting the service of other interface modules on the same parent board.

Advantages of the optical interface modules

The Alcatel-Lucent 1663 ADMu optical interface modules provide excellent pay-as-you-grow opportunities for smaller or start-up applications, as only the up-to-date required number of ports must be purchased. An additional advantage of this flexible interface are ease of handling and cost reduction when it comes to maintenance and repair activities.

The number of modules inserted into the parent board can be varied flexibly between zero and the maximum number of sockets; the possibly unused sockets can be left empty.

Small Form Factor Pluggable module (SFPs)

The Alcatel-Lucent 1663 ADMu SFPs are marked by the manufacturer, and they are checked upon insertion, in order to protect from accidental insertion of non Alcatel-Lucent 1663 ADMu specific SFPs. Only for the Alcatel-Lucent 1663 ADMu specific SFPs Alcatel-Lucent can guarantee the full functionality and warranty.

For further information please refer to the “Equipment provisioning concepts” chapter of the UOG.

Equipment reports

Equipment inventory

Alcatel-Lucent 1663 ADMu automatically maintains an inventory of the following information of each installed circuit pack:

- Serial number
- Equipment Carrier Code or Equipment Catalog Item ECI
- CLEI code
- Functional name
- Apparatus code
- Series number
- Functional qualifier
- Software release (of the NE)

You can obtain this information by an inventory request command.

Equipment failure reports

Failure reports are generated for equipment faults and can be forwarded via the ITM-CIT or ITM-SC interfaces.

Synchronization and timing

Overview

Purpose

This section provides information about synchronization features, timing protection and timing interfaces of the Alcatel-Lucent 1663 Add Drop Multiplexer-universal (1663 ADMu).

Contents

Timing features	2-153
Timing protection	2-154
Timing interface features	2-155

Timing features

Synchronization modes

Several synchronization configurations can be used. The Alcatel-Lucent 1663 ADMu can be provisioned for the following timing modes:

- free-running operation
- holdover mode
- locked mode

In locked mode the internal SDH Equipment Clock (SEC) is locked to:

- one of the external sync inputs (2048 kHz or 2048 kbit/s)
- two independent 64 kHz signals (for the Japanese market; the Japanese market requires different station clock interfaces: 64 kHz + 8 kHz (+ 400 Hz) for NE input and 6312 kHz for NE output.)

These two independent 64 kHz signals coming from outside are converted by the so-called MIOR-J unit into two independent 2048 kHz signals.

- one of the 2 Mbit/s tributary signals
- one of the STM-N inputs (line or tributary port).

Handling of a frequency offset

By comparing the frequencies of all assigned references with the frequencies of the internal oscillator on both timing circuits of the core units, it can be decided in the event of an excessive frequency difference, whether a reference is off-frequency or the internal oscillator of one of the timing circuits. If so, the affected unit is declared faulty.

Timing protection

Protection timing references

The external timing references are non-revertively 1+1 protected. The external timing references can also operate in unprotected mode.

Protection of the timing mode

If the primary timing reference fails, the system will automatically switch to the holdover mode. The Synchronization Status Message is supported, which enables timing reference priority settings and gives information about the quality of the timing signal.

Timing interface features

Synchronization Status Message (SSM) signal

A timing marker or synchronization status message signal can be used to transfer the signal-quality level throughout a network. This will guarantee that all network elements are always synchronized to the highest-quality clock that is available.

On the Alcatel-Lucent 1663 ADMu system the SSM algorithm or the timing marker is supported according to G.781. The SSM is supported on all STM-N interfaces and on the 2 Mbit/s synchronization input and output signals.

2 Mbit/s tributary re-timing

The user can choose whether individual 2 Mbit/s tributary outputs operate in “self-timed” or “re-synchronized” mode. In the (standard) self-timed mode, the phase of the outgoing signal is a moving average of the phase of the 2 Mbit/s signal because the 2 Mbit/s signal is embedded in the VC-12 that is disassembled. In the re-synchronized mode the 2 Mbit/s signal is timed by the SDH Equipment Clock (SEC) of the network element; frequency differences between the local clock and the 2 Mbit/s signal embedded in the VC-12 to be disassembled are accommodated by a slip buffer.

There is also the following option: whenever the traceability of the local clock drops below a certain threshold, the re-timing 2 Mbit/s interfaces automatically switch to self-timing. When this fail condition disappears, these interfaces return to re-timing. These changes do not involve any hits in the traffic.

Operations, Administration, Maintenance and Provisioning

Overview

Purpose

The following section provides information about interfaces for Operations, Administration, Maintenance, and Provisioning (OAM&P) activities and the monitoring and diagnostics features of Alcatel-Lucent 1663 Add Drop Multiplexer-universal (1663 ADMu).

Contents

Interfaces	2-157
Monitoring and diagnostics features	2-160

Interfaces

User panel

The maintenance procedures of the Alcatel-Lucent 1663 ADMu system are built on two levels of system information and control. The first maintenance tier consists of the user panel display (LEDs) and push-buttons (all on the front of the system controller), and the light-emitting diodes (LEDs) on the circuit pack faceplate. The push-buttons are still accessible when the front cover is closed (EMC boundary). Most typical maintenance tasks can be performed using these buttons without aid of the the ITM-Craft Interface Terminal (ITM-CIT) or element manager (OMS).

ITM-CIT

The second maintenance tier employs the Alcatel-Lucent network management system. Detailed information and system control are obtained by using the ITM-CIT (Craft Interface Terminal), which supports provisioning, maintenance and configuration on a local basis. A similar facility (via a Q-LAN connection or via the DCC channels) is remotely available on the element manager, the WaveStar® ITM-SC, which provides a centralized maintenance view and supports maintenance activities from a central location.

ITM-NM and OMS

At network level (customer's network management center) the OMS perform all the tasks that are necessary to supervise, operate, control and maintain an SDH network with the Alcatel-Lucent 1663 ADMu.

OMS

Operations, Administration, Maintenance, and Provisioning (OAM&P) activities are performed using either the ITM-CIT (CIT) or OMS. The ITM-CIT, OMS client and the *Navis*® EMS client are customer-supplied PC running the *WaveStar*® Graphical User Interface (GUI) software. You can plug it into the Alcatel-Lucent 1663 ADMu user panel or use it at a remote location to access Alcatel-Lucent 1663 ADMu by means of a LAN or of Data Communications Channel (DCC). You can use the ITM-CIT, OMS and *Navis*® EMS to run a fully featured GUI. The GUI provides access to the entire Alcatel-Lucent 1663 ADMu functionality and contains extensive menus and context-sensitive help.

Security

Alcatel-Lucent 1663 ADMu uses logins, passwords, authentication, and access levels to protect against unauthorized access.

Local and remote software downloads

With Alcatel-Lucent 1663 ADMu software can be downloaded from the ITM-CIT or from the ITM-SC. Software downloading does not affect transmission or operations. Activating the newly downloaded software may affect operations but does not affect transmission.

LAN interface

Alcatel-Lucent 1663 ADMu also communicates with remote logins, operations systems and management systems by means of the standard 7-layer OSI protocol and via TCP/IP over a LAN.

TCP/IP tunneling

The Alcatel-Lucent 1663 ADMu is capable of tunneling IP traffic through the OSI DCN network. The tunnel provides a virtual interconnection for IP traffic between the “Ethernet interfaces (LAN)” and/or “end-points of other IP-tunnels (terminating in the NE)” of two NE's that support this feature.

Note that a tunnel may forward IP traffic for many destinations, that can either be connected to the QLAN of the far end tunneling NE, or must be reached through subsequent routing towards/through other IP-tunnels and/or towards/through external IP routers.

The LAN interface supports both IP and OSI traffic simultaneously. Tunneling is achieved by encapsulating the IP packets in CLNP (OSI) packets.

This feature has no effect on the OSI management of the Alcatel-Lucent 1663 ADMu itself, apart from the performance impact of additional IP traffic. This feature requires the NE to act as an IP router itself. The IP router supports ports to the Ethernet Interface (Q-LAN) and to the CLNP (OSI) network (i.e. a number of tunnels).

TCP/IP tunnelling

This feature is intended to forward IP traffic between IP managed equipment at the borders of the SDH network and their IP-based management system.

In order to use the tunneling feature it is necessary to provision the following using the ITM-CIT or ITM-SC:

- map a “tunnel far-end” to each (masked) IP-destination, where all IP-addresses are implied that fulfil the most significant bits (non-masked) part of the IP-destination. Only the far-end of a tunnel needs to be identified through its NSAP address (the near-end is implicitly this NE). Resources for a maximum of 50 tunnels must be provided.
- provision its own IP-address in the NE.
- enable IP routing.

-
- add routing information for forwarding towards an external IP router, when the IP-destination is not connected to the QLAN of the NE.
 - enable (when desired) automatic creation of tunnels, towards all other NE's in this area that have auto-matic creation enabled. Note that manual provisioning of tunnels as in "1" is needed for a tunnel that spans a number of areas, while subsequent tunneling within the destination area can make use of automatically created tunnels.

DCC interfaces

The Alcatel-Lucent 1663 ADMu system supports operations via the standard 7-layer OSI protocol over Data Communications Channel (DCC). Up to 128 DCC terminations of section DCC (DCC_R) and line DCC (DCC_M) channels can be configured on 155-Mbit/s, 622-Mbit/s, 2.5-Gbit/s, 10-Gbit/s ports. DCC channel protection switching is supported in conjunction with line MSP protection switching of the respective optical port ("slaving").

Note: In order to support 128 DCC, the following conditions shall be met simultaneously:

- Use system controller LKA20.
- Use memory extended backplane SEEPROM.
- Use core units of R3 or later releases.

Orderwire and User Channel

Orderwire and user channel interfaces are physically implemented on the Control Interface Panel. E1, E2 and F1 byte access are supported on 10-Gbit/s- and 155-Mbit/s interfaces.

Monitoring and diagnostics features

Performance monitoring

Alcatel-Lucent 1663 ADMu monitors performance parameters for 24-hour and 15-minute intervals on the pliesochronous, synchronous and Ethernet transmission interfaces, so monitoring can be full-time for each signal without requiring any additional cross-connect capacity. For further information please refer to [“Performance monitoring”](#) (p. 5-26).

Threshold reports

Additional to the common alarm status and normal/abnormal condition reports Alcatel-Lucent 1663 ADMu supports threshold reports (TRs). A TR is generated when a performance monitoring parameter threshold is exceeded, that can be set individually by the user for 24-hour and 15-minute intervals. For further information please refer to [“Performance monitoring”](#) (p. 5-26).

Port monitoring modes

Each physical interface can be in one of three different modes: automatic (AUTO), monitored (MON) or non-monitored (NMON). In NMON mode all alarms that originate in the physical section termination function are suppressed, while in the MON mode they are reported. In the AUTO mode alarms are suppressed until an incoming signal is detected, then the mode of the port switches automatically to MON.

Transmission maintenance signals

Regenerator section, multiplex section, and higher order path maintenance signals are supported as per ITU-T Rec. G.783. The system can generate and retrieve path trace messages on STS-1 respectively higher order VC-3 and VC-4 level as well as section trace messages respectively STM-N RSOH messages.

Path termination point monitoring modes

Each Path Termination Point can be in one of two different modes, monitored (MON) or non-monitored (NMON). In NMON mode all alarms that originate in the termination point are suppressed, while in the MON mode they are reported .

Provisioned state record

Alcatel-Lucent 1663 ADMu automatically maintains a record of the provisioned state of each transmit and receive port on each circuit pack.

Alarm Severity Assignment Profiles

An Alarm Severity Assignment Profile (ASAP) is a list of alarms which can occur in a network element and which each have an alarm severity assigned.

ASAPs can be assigned to Alcatel-Lucent 1663 ADMu functional system components (a circuit pack or a specific port for example) during provisioning.

Each ASAP can be uniquely identified by its type and its name.

ASAPs allow the user to control alarm reporting with more flexibility, and to create multiple alarm profiles for each alarm category and to assign these profiles to entities within the system.

All alarms are grouped into types of alarms. The alarms contained in each category are predefined. The categories containing the alarms are referred to as predefined profile types. Each profile type has a default profile and a set of user-created profiles. The user-created profiles and the default profiles within the profile types are referred to as ASAPs. The assigned alarm severity levels refer to each alarm within each ASAP. The default profiles are available after system installation.

The created ASAPs are used to specify the alarm severity level that the system reports when a failure occurs.

Note that predefined or default alarms or profile types cannot be changed or deleted by the user. Only the profiles created by the user can be changed or deleted.

Loopbacks

Alcatel-Lucent 1663 ADMu supports facility loopbacks for testing and maintenance purposes. These loopbacks are available for each supported signal type. Facility loopbacks are established electrically on port-level on a port unit. The available types are:

- Near-side loopback (in-loop)
- Far-side loopback (out-loop)

The loopbacks can be configured via ITM-CIT and ITM-SC

Ethernet loopback

Ethernet loopbacks are loopbacks switched on LAN ports. They make it possible to verify the correct system operation and may facilitate troubleshooting of problems.

There is one type of Ethernet loopback (in repeater mode):

- Outloop (Far-side facility loopbacks)

Local and remote inventory

The Alcatel-Lucent 1663 ADMu system provides automatic version recognition of the entire hardware and software installed in the system. This greatly simplifies troubleshooting, dispatch decisions, and inventory audits. A list of detailed information, is accessible via *WaveStar*[®] CIT, via OMS or via *Navis*[®] EMS.

Self diagnostics (in-service)

The system runs audits and diagnostics to monitor its health. These self-diagnostics do not have any effect on the performance of the system.

Auto-recovery after input power interrupt

The system will restore itself automatically after an interruption of the power.

Recovery from configuration failures

If the system detects that its configuration database is empty or corrupted it will remain in the current configuration without impacting the traffic, it will raise an alarm and it will request a configuration update from the *Navis*[®] EMS.

3 Network topologies

Overview

Purpose

This chapter describes the key applications of Alcatel-Lucent Add Drop Multiplexer (Alcatel-Lucent 1663 ADMu). It gives an overview of the various network applications and identifies the key functions associated with these applications.

The Alcatel-Lucent 1663 ADMu is a highly flexible product that is capable of supporting a variety of network applications like bandwidth access, service-on-demand and LAN services.

Network tiers

Optical networks can be structured into three tiers in order to simplify their understanding, modelling and implementation:

- Backbone (tier 3)
- Metro core/regional (tier 2)
- Access (tier1)

The Alcatel-Lucent 1663 ADMu can be applied in all three tiers of a network. The system allows for growth and changing service needs by supporting in-service conversions and upgrades. Because of its basic design, the system operates equally well in a fully synchronous and in an asynchronous environment and provides a flexible link between the two.

The Alcatel-Lucent 1663 ADMu can be configured in such a way that it supports a wide variety of network applications. The following sections will identify some of the main applications and configurations for which Alcatel-Lucent 1663 ADMu is optimized.

Contents

Access/metro applications	3-3
---	---------------------

Access/metro core networking	3-4
Application details	3-5
Ethernet services - packets over SDH	3-6
Metro access multi-ring node with LXC functionality	3-13
Dual homing of STM-1/STM-4/STM-16 access ring	3-14

Access/metro applications

Overview

Purpose

This section provides information about access/metro tier characteristics and access/metro applications for Alcatel-Lucent 1663 ADMu.

Characterization of tier 1 topologies

The access/metro network tier typically shows the following features:

- Point to point and ring network topology
- Short distance (up to ~ 40 km)
- Low capacity per fiber (2.5 Gbit/s and lower)
- Mixed traffic patterns (from 2 Mbit/s up to 2.5 Gbit/s services)
- Edge concentration
- Circuit and data interfaces

Contents

Access/metro core networking	3-4
--	-----

Access/metro core networking

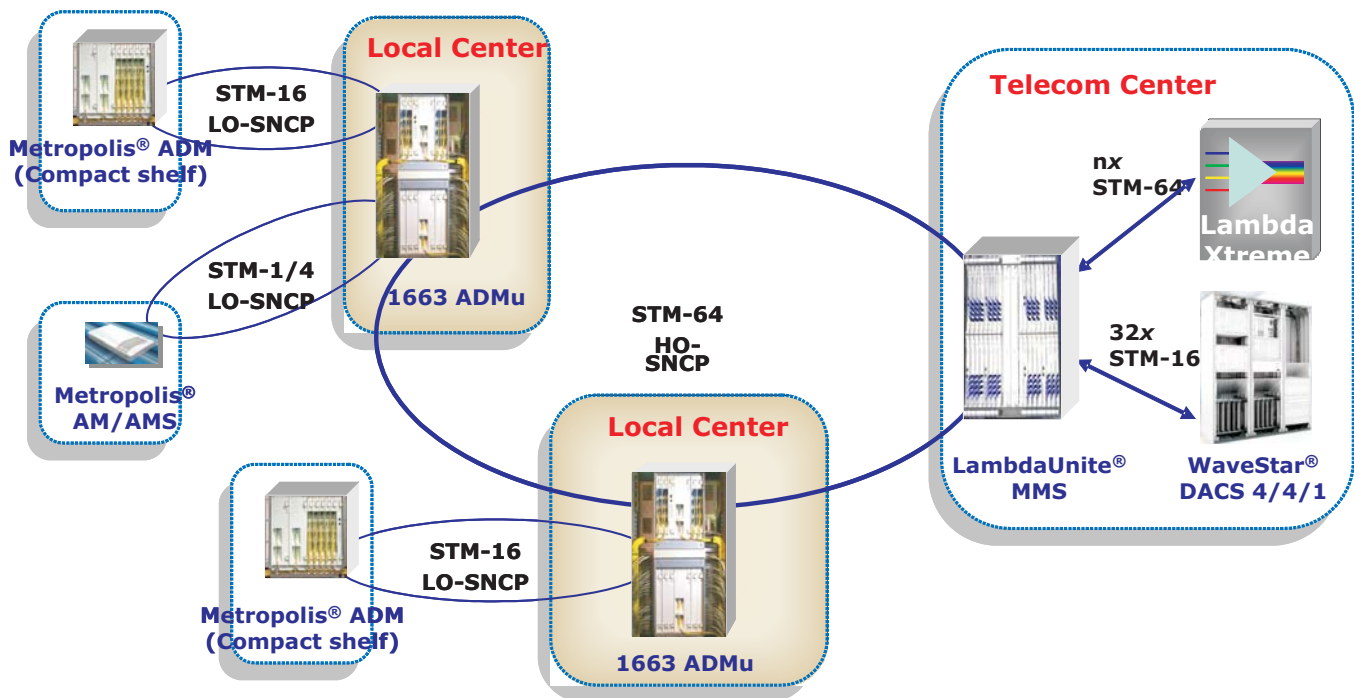
Introduction

Since the Alcatel-Lucent 1663 ADMu can be equipped with STM-64 interfaces it can interwork with typical core network elements like the *WaveStar*[®] 10G (STM-64) and the 1675 LambdaUnite MSS as a part of the core level.

In such a case the flexibility of the Alcatel-Lucent 1663 ADMu greatly reduces the number of network elements in the Local Centers where Access/Metro rings are closed.

One network element can interface with different layers of the network.

The figure below schematically illustrates an example for access metro core networking.



Application details

Overview

Purpose

This chapter gives an overview of Alcatel-Lucent 1663 ADMu application details in basic topologies.

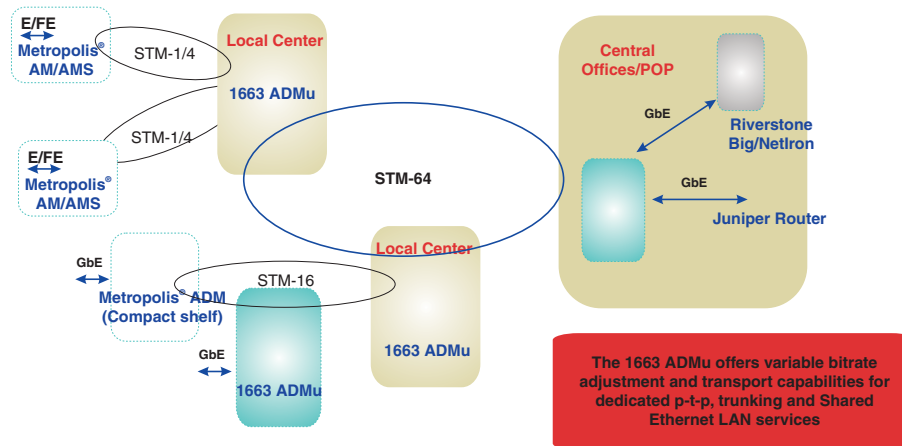
Contents

Ethernet services - packets over SDH	3-6
Metro access multi-ring node with LXC functionality	3-13
Dual homing of STM-1/STM-4/STM-16 access ring	3-14

Ethernet services - packets over SDH

Ethernet services

The Ethernet cards are available for the Alcatel-Lucent 1663 ADMu as well as for the *WaveStar*[®] ADM 16/1, *Metropolis*[®] ADM (Compact shelf) and *Metropolis*[®] AM / *Metropolis*[®] AMS. Together with the Alcatel-Lucent 1663 ADMu, a total solution can be configured for small, medium and large business environments. The figure below gives an example of how to implement the Ethernet services in the SDH network architecture.



The solution presented above eliminates the need for DS/CSUs or interface converters between end-user's data equipment and the SDH network, which provides significant cost savings on equipment and operation costs.

Key features of Ethernet/Fast Ethernet

The Alcatel-Lucent 1663 ADMu support 10/100BASE-T Ethernet and provides the integrated data connections within the SDH network.

In the IEEE 802.1Q tagging mode the *TransLAN*[™] board can be configured in the Spanning Tree operation mode. The Spanning Tree operation mode is described in “Spanning tree protocol (STP)” (p. 2-44).

The key features of Ethernet/Fast Ethernet include the following:

- 8 x 10/100BASE-T auto-negotiation Ethernet ports
- 12 x 100BASE-LX optical Ethernet interfaces
- Ethernet frames are mapped into VC-12-xv (x=1,2,..63), into VC-4-xv (x=1,...3), or into VC-3-xv (x=1,2, ..., 9) for 2Mbit/s, 4Mbit/s, 6Mbit/s, 8Mbit/s, 10Mbit/s, 50Mbit/s and 100Mbit/s bandwidth
- VC-12-xv (x=1...5) means 2 Mbit/s, 4 Mbit/s, 6 Mbit/s, 8 Mbit/s, 10Mbit/s
- VC-3 and VC-3-2v means 50 Mbit/s and 100 Mbit/s

-
- Point-to-point LAN interconnect, multiple LAN interconnect, WAN Sharing (LAN-VPN)
 - IEEE 802.1Q trunking from VLAN tagging-Ethernet to VLAN Fast Ethernet
 - VLAN tagging compliant with IEEE 802.1ad (“IEEE 802.1ad VLAN tagging mode”, “Provider bridge tagging mode”)
 - Dedicated bandwidth for each customer
 - Available bandwidth on each WAN link
 - Provide shared network bandwidth: multiple ports share n x VC-12 or n x VC-3
 - Support for point-to-multipoint LAN connection
 - WAN access bandwidth is shared between with multiple customers
 - Eliminates loops in bridged network
 - Spanning Tree per VLAN, which complies with IEEE802.1D and IEEE802.1s
 - WAN formed by SDH NEs that will maintain its own spanning tree that is independent of the spanning tree maintained by CPE LANs
 - MAC Bridging and VLAN
 - Compliance with IEEE802.1D for Ethernet Bridging
 - The *TransLAN*[™] bridge operates in promiscuous mode: no filtering database is used and received frames are relayed to all other ports of the virtual bridge. This mode is only intended for use in point-to-point configurations

Ethernet communication mode, speed negotiation

Data devices connected through a single collision domain of a Fast Ethernet LAN usually communicate in half-duplex mode, a communication method in which a device either send or receive data at a given instance, but not both.

The newer design of ethernet switches and hubs support both half-duplex and full-duplex mode of communication.

Full-duplex mode is a communication method that allows a device connected to the switch or hub to simultaneously send data and receive data. To support communication in full-duplex mode, it requires the use of full-duplex media, the cable/wire that provides independent transmit and receive data paths.

Note: an Ethernet LAN with full-duplex media does not mean it operates in full-duplex mode.

Auto-negotiation

Before sending and receiving data between two devices connected through an ethernet LAN, they must both agree to the communication speed (e.g., 10 Mbit/s or 100 Mbit/s), communication mode (half-duplex or full-duplex) and support of flow control capability.

The auto-negotiation protocol defined in the Ethernet standard, specifies a process to reach such agreement between the devices during the device initialization phase. The process uses special signals to carry the auto-negotiation information between the devices. The Alcatel-Lucent 1663 ADMu support the auto-negotiation protocol and by default, the auto-negotiation function is always on. In some field cases, it is known that auto-negotiation can fail. In order to allow interworking with equipment not supporting this function, the Alcatel-Lucent 1663 ADMu supports an option to override the auto-negotiation. It is possible to disable the auto-negotiation and to force the port speed (10 or 100 Mbit/s) and the half- or full-duplex mode.

WAN bandwidth

To facilitate the flexibility of mapping mixed higher layer traffic into SDH/SONET circuits, and to offer better granularity, ITU G.707 and G.783 (2000 edition) have recently standardized virtual concatenation, a byte-level inverse-multiplexing technique. The virtual concatenation allows the mapping of different types of traffic (e.g., Ethernet, TDM) to individual SDH channels (VCs) that are associated in a concatenated group. The key difference between contiguous concatenation and virtual concatenation is the transport between the path termination.

Contiguous and virtual concatenation

Contiguous concatenation maintains the contiguous bandwidth throughout the whole transport, while virtual concatenation breaks the contiguous bandwidth into individual VCs, transports the individual VCs and recombines these VCs to a contiguous bandwidth at the end point of the transmission. Virtual concatenation requires concatenation functionality only at the path termination equipment, while contiguous concatenation requires concatenation functionality at each network element. Thus virtual concatenation is perfectly suited for interworking with legacy nodes in a multi-vendor SDH environment, where traffic can be transparently transported over the legacy nodes not supporting the feature.

WAN bandwidth

WAN bandwidth is supported and defined based on the amount of VCs being allocated (provisioned and configured) for it. The *TransLAN*TM board supports WAN bandwidth of mixed VC types. The only limitation is fixed by the maximum capacity between the *TransLAN*TM board and the backplane of the Alcatel-Lucent 1663 ADMu, i.e., four VC-4.

Ethernet WAN port capacity configuration rules

The encapsulated Ethernet frames are mapped in VC-12 (2 Mbit/s), VC-12-2v (4 Mbit/s), VC12-3v (6 Mbit/s), VC12-4v (8 Mbit/s), VC12-5v (10 Mbit/s), VC3 (50 Mbit/s) or VC3- 2v (100 Mbit/s). The customer can provision the actual per WAN port bandwidth. Since the backplane capacity is limited, the total combined bandwidth of all WAN ports together must follow the WAN capacity configuration rules defined in the following table.

Notice that only the WAN port bandwidth dictates the effective end-to-end Ethernet communication throughput, not the LAN ports.

WAN port 1	WAN port 2	WAN port 3	WAN port 4	Note
VC-3-2v	VC-12-xv	VC-12-xv	VC-12-xv	x = 0,1,...5
VC-3	VC-3	VC-12-xv	VC-12-xv	x = 0,1,...5
VC-3	VC-12-xv	VC-12-xv	VC-12-xv	x = 0,1,...5
VC-12-xv	VC-3	VC-12-xv	VC-12-xv	x = 0,1,...5
VC-12-xv	VC-12-xv	VC-12-xv	VC-12-xv	x = 0,1,...5

One *TransLAN*TM board supports 8 ports divided over 2 groups. The first WAN port group (Port 1 to 4) supports the possible combination of ethernet WAN port (total of 4) capacity configurations defined in previous table.

The second WAN port group (port 5 to 8) of the Alcatel-Lucent 1663 ADMu support the same capacity configurations as defined for the first WAN port group (port 1 to 4).

The *TransLAN*TM board equipped Alcatel-Lucent 1663 ADMu system keeps track of the available capacity according to the rules defined in the WAN port configuration table above. If an attempt to configure a new WAN port capacity violates the rules, not only the system will not grant the new configuration but also an alarm (message) will be triggered and displayed.

Key features of Gigabit Ethernet

The Gigabit Ethernet interface provides an enhanced feature set for flexible Ethernet over SDH transport.

The Gigabit Ethernet card supported by the Alcatel-Lucent 1663 ADMu allows transport of Gigabit Ethernet signals over SDH networks by encapsulating ethernet packets in virtually concatenated Virtual Containers (VCs). The Gigabit Ethernet card port support point-to-point connectivity. The card offers two 1000BASE Ethernet LAN ports. Each LAN port supports two Ethernet lines (one transmit and one receive, allowing full duplex operation). Each line can be associated with a virtual concatenated link over the SDH network (also called “WAN link”). The capacity per Gigabit Ethernet line is user provisionable to a maximum of 7 VC-4s.

The key features of Gigabit Ethernet include the following:

- Compliance with to IEEE 802.3 (2000) Clause 38
- Pluggable optics for 1000BASE-SX, 1000BASE-LX and 1000BASE-ZX
- Ethernet frames:
 - VC-3-xv (x=1 .. 2), EOS—mapped or GFP mapped or
 - VC-4-xv (x=1 .. 4) GFP-mapped

The GbE LAN unit LKA 53 supports mapping of Ethernet traffic into

- VC-12Xv (x=1, ...63), VC-3-xv (x=1, ...24) and VC-4-xv (x=1, ...8).
- VPN and VLAN Trunking and
- LCAS.
- IEEE 802.1Q VLAN tagging-Gigabit Ethernet “Lite”: point-to-point and rings
- VLAN tagging compliant with IEEE 802.1ad (“IEEE 802.1ad VLAN tagging mode”, “Provider bridge tagging mode”)
- VLAN trunking from E/FE to Gigabit Ethernet
- Scalable bandwidth through virtual concatenation VC3/4-Xv and LCAS

Ethernet cards provide very attractive services to the end customers at minimal equipment investment. These services include:

- Scalable bandwidth without changing interfaces
- A transparent LAN service that hides the complexity of the WAN for end users (a WAN that looks like a LAN)
- A high level of availability of the LAN service because of end to end SDH protection switching.

LKA53

The feature list for the LKA53 has been extracted from the feature list for the Metro ADM CPs [1], [2].

- Two port 1000BASE-X Gigabit Ethernet tributary unit ("full rate", 1 slot).
- This GbE LAN unit is a tributary port unit of the Alcatel-Lucent 1663 ADMu. · It supports mapping of Ethernet traffic into
 - VC-12Xv, VC-3-Xv and VC-4-Xv,
 - VPN and VLAN Trunking and
 - LCAS.
- At the system side, the unit provides four TXI-622Mb (~2.4Gbs) interfaces towards the cross-connect (CC) function for working and protection. This link is 1 + 1 protected.
- At the external interface side, the unit provides 2 GbE interfaces (1000Base-X).
- Up to 2488.32 Mbs (including TXI overhead) WAN capacity in total is available, allowing up to 2 LAN interfaces to operate at the full speed of 1000 Mbs speed.
- An "on board" Layer 2 function is present to perform packet aggregation and statistical multiplexing.
- At least 64 WAN ports are supported.
- 1000 VLANs are supported per LKA53, therefore 4000 VLANs are supported per NE
- For Alcatel-Lucent 1663 ADMu the unit can be placed in tributary slots TS1, ..., TS9.
- The unit is used with SFP pluggable optics interface -SX, -LX and -ZX.

- The unit supports also Jumbo frames of up to 9216 Bytes.
- The unit works only with SC2 (LKA20/LKA21/LKA21B) and higher.

Speed and connectors

The LAN interfaces that are supported are 10Base-T and 100Base-TX. The numbers “10” and “100” indicate the bit-rate of the LAN, 10 Mbit/s and 100 Mbit/s respectively. The “T” or “TX” indicates the wiring and connector type: Twisted pair wiring with RJ-45 connectors.

The actual LAN speed does not need to be configured, since the Ethernet interfaces support the auto-negotiation protocol which enables them to select automatically the proper LAN speed.

The auto-negotiation function on the *TransLAN*TM board is configurable. This feature allows the auto-negotiation function to be manually overridden from ITM-CIT. If this auto-negotiation function is disabled, it is possible to select a specific operational mode (10 or 100Base-T, half/full-duplex).

At the system side, the GbE card (LKA12/LKA12B) provides a quad EQSTM-1 (~600 Mbit/s) interface towards the cross-connect function.

At the external interface side, the GbE card (LKA12/LKA12B) provides 2 ethernet interfaces 1000BASE-X. Up to 600 Mbit/s WAN capacity is available, allowing “lite” GbE services only. This GbE card can be used with two “on board” pluggable optics interfaces (SX-GbE and/or LX-GbE and/or ZX-GbE).

The GbE LAN unit (LKA 53) provides four TXI-622Mb (~2.4Gbs) interfaces toward the cross-connect (CC) function for working and protection. This link is 1 + 1 protected.

At the external interface side, the new GbE LAN unit (LKA 53) provides 2 GbE interfaces (1000Base-X).

Up to 2488.32 Mbs (including TXI overhead) WAN capacity in total is available, allowing up to 2 LAN interfaces to operate at the full speed of 1000Mbs speed. The unit is used with SFP pluggable optics interface (SX-GbE and/or LX-GbE and/or ZX-GbE).

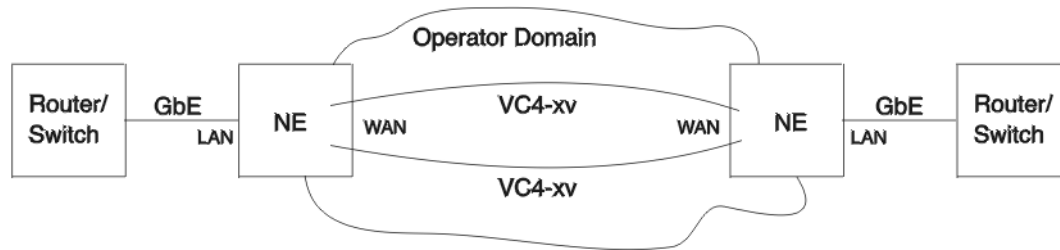
Point-to-point connectivity

The following two figures show possible point-to-point Gigabit Ethernet (GbE) network applications.

SNCP or MS-SPRing protection

Protection of the individual VC-4s that form the VC-4-Xv is possible via SNCP and MS-SPRing protection schemes.

The figure below schematically illustrates a point-to-point Gigabit Ethernet (GbE) network application with SNCP or MS-SPRing protection.

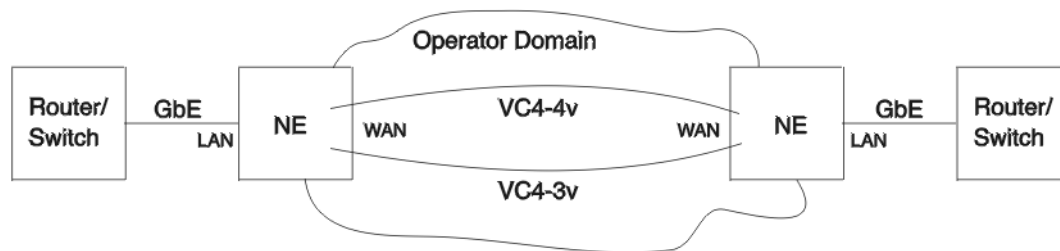


LCAS based protection

If that protection scheme is used half of the VC4s of the virtual concatenated bundle is routed over one fiber, the other half over another fiber. If one fiber fails, about half of the GbE WAN bandwidth is maintained during failures.

If MS-SPRing is available (optional): half of the VC4 is routed via pre-emptible protection access bandwidth.

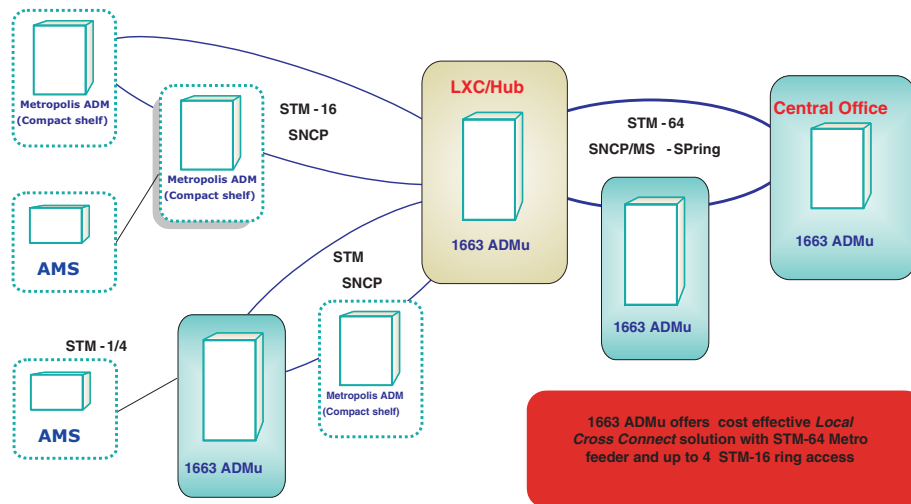
The figure below schematically illustrates a point-to-point Gigabit Ethernet (GbE) network application with LCAS based protection.



Metro access multi-ring node with LXC functionality

Introduction

The Alcatel-Lucent 1663 ADMu can act as a hub for STM-1, STM-4 or STM-16 ring. It also supports point-to-point connections to the *Metropolis*[®] AM / *Metropolis*[®] AMS, *WaveStar*[®] ADM 16/1 and *Metropolis*[®] ADM (Compact Shelf) with 1+1 MSP or unprotected point-to-point connections.



Dual homing of STM-1/STM-4/STM-16 access ring

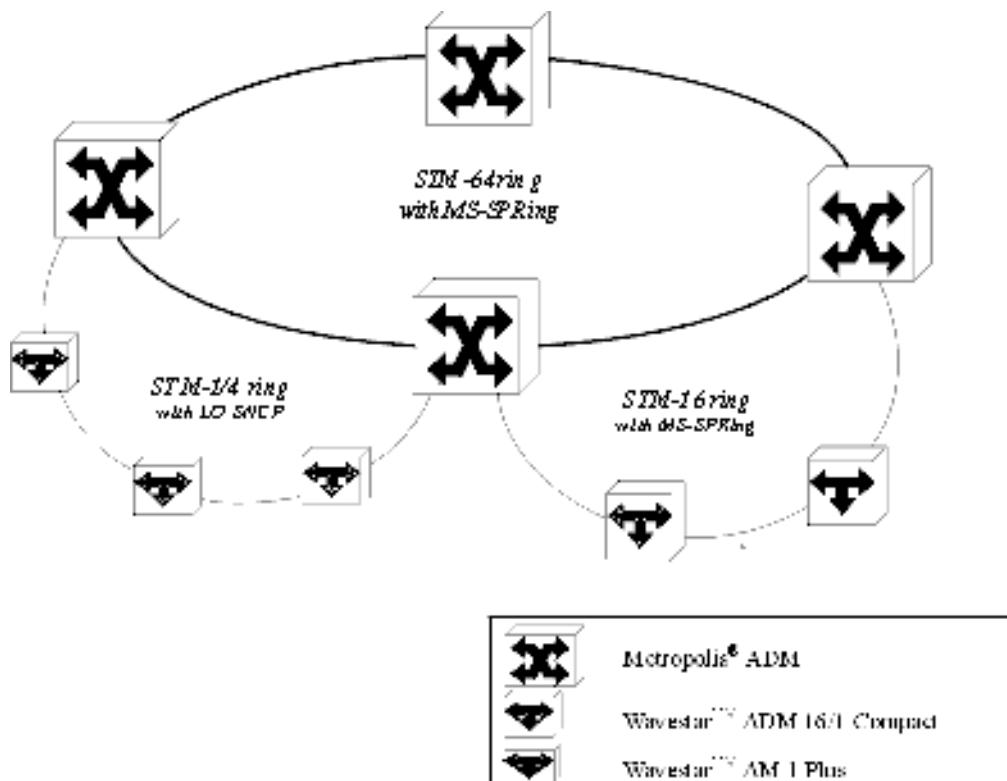
Introduction

An STM-1 or STM-4 ring with *WaveStar*[®] AM1 Plus equipment can be dual-homed on a ring that consists of Alcatel-Lucent 1663 ADMu and *WaveStar*[®] ADM16/1 or *Metropolis*[®] ADM (Compact shelf) equipment. STM-16 rings can also be dual-homed with the Alcatel-Lucent 1663 ADMu.

The Alcatel-Lucent 1663 ADMu supports a mix of 2, 34/45 Mbit/s and STM-1, STM-4 and STM-16 tributary speed interface inputs and outputs. It is possible to mix these interfaces in the same subrack for all platforms. Also, a circuit can enter a Alcatel-Lucent 1663 ADMu network through one type of interface and exit through another type (if the payload on the circuit is compatible with both interface types). Mixing is supported not only within a terminal, but also between terminals.

These capabilities offer more efficient network evolution and allow planners to improve their equipment deployment according to the needs of the particular application. For example, network needs (sudden demand) may require SDH deployment in one area before other areas. This huge flexibility and add/drop capability gives the Alcatel-Lucent 1663 ADMu a unique position in the market.

The figure below illustrates dual homing of STM-1/4, STM-16 and STM-64 access ring.



4 Product description

Overview

Purpose

This chapter describes the Alcatel-Lucent 1663 Add Drop Multiplexer-universal (Alcatel-Lucent 1663 ADMu) in terms of basic architecture, physical configuration, and circuit packs.

Chapter structure

After a concise system overview, the transmission architecture is presented. A closer look is taken to the switch function.

The shelf configuration of the Alcatel-Lucent 1663 ADMu is described, followed by a short description of the circuit packs contained.

Furthermore, this chapter describes synchronization aspects within the network element and outlines the control architecture and the power distribution concept.

Contents

Concise system description	4-2
Transmission architecture	4-5
Switch function	4-10
Shelf configurations	4-14
Circuit packs	4-30
Synchronization and timing	4-59
System control and management	4-67
Power	4-68
Cooling	4-69

Concise system description

The Alcatel-Lucent 1663 ADMu is a multiplexer and transport system that multiplexes a broad range of PDH, SDH and Ethernet signals into 10 Gbit/s (STM-64), 2.5 Gbit/s (STM-16), 622 Mbit/s (STM-4), or 155 Mbit/s (STM-1).

The method used to map interface signals complies with the AU-4 mapping procedure specified by ITU-T. The STM-1 and STM-4 optical tributary units support SONET-SDH conversion by remapping of a VC-3 from AU-3 to TU-3. Such SONET-SDH conversion function is not supported by STM-16 trib, STM-16 core, and STM-64 core units."

The Alcatel-Lucent 1663 ADMu provides built-in cross-connect facilities and flexible interface circuit packs. Local and remote management and control facilities are provided via the Q and F interfaces and the Data Communications Channels (DCC).

Applications

Depending on the required line interface, Alcatel-Lucent 1663 ADMu can be configured for a 10G application or a 2.5G application. The application determines the type of Core Unit to be used.

Basic architecture

The figures below give an outline of the basic Alcatel-Lucent 1663 ADMu building blocks both for the 2.5G application and for the 10G application.

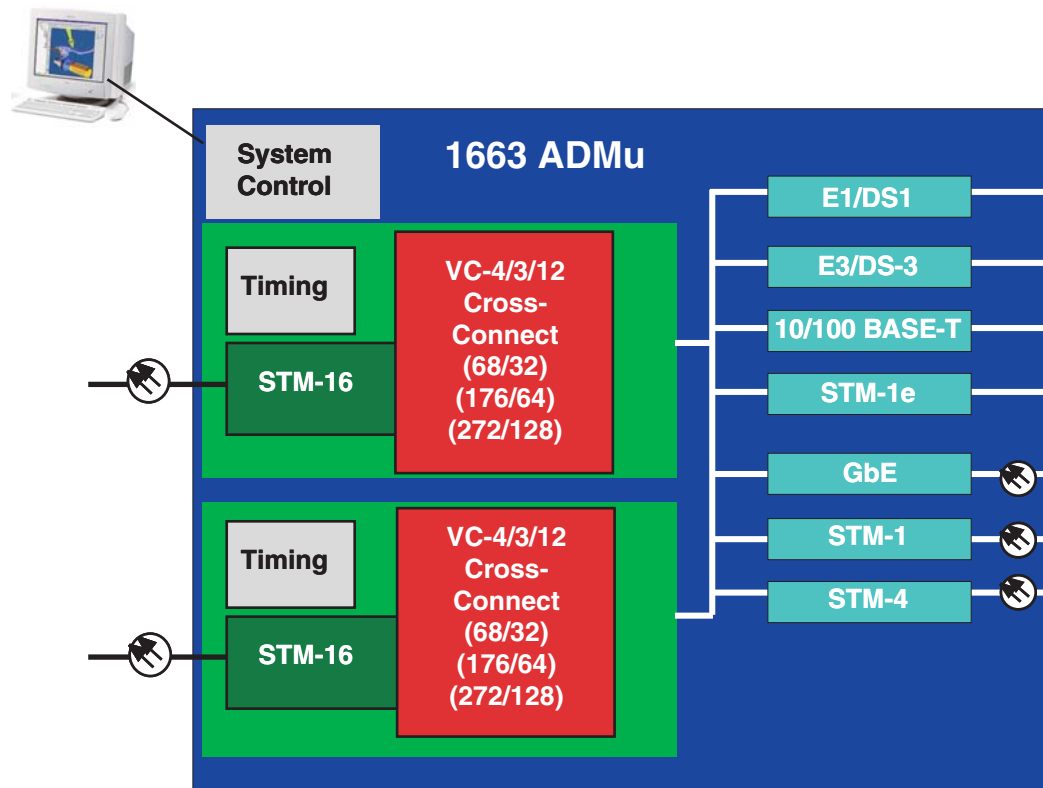
2.5G Core Unit

For the 2.5G application of the Alcatel-Lucent 1663 ADMu system the following Core Units can be used:

- the STM-16 L16.1 1310 nm CC-68/32 (SI-L 16.1 C2/1) unit (item code: LKA24)
- the STM-16 L16.2 1550 nm CC-68/32 (SI-L 16.2 C2/1) unit (item code: LKA25)
- the 4 x STM-16 SFP CC272/128 (SI-16 SFP C2/4) unit (item code: LKA48)
- the 1 x STM-16 SFP CC-176/64 (SI-16 SFP C3/1) unit (item code: LKA481)
- the 1 x STM-16 VH CC-176/64 OBA (SI-16 VH C3/1 OBA) unit (item code: LKA482)

The circuit pack functionally consists of three main parts:

- higher- and lower order cross-connect function,
- timing function, and
- one/four STM-16 line interface.



10G Core Unit

For the 10G application of the Alcatel-Lucent 1663 ADMu system the following Core Units can be used:

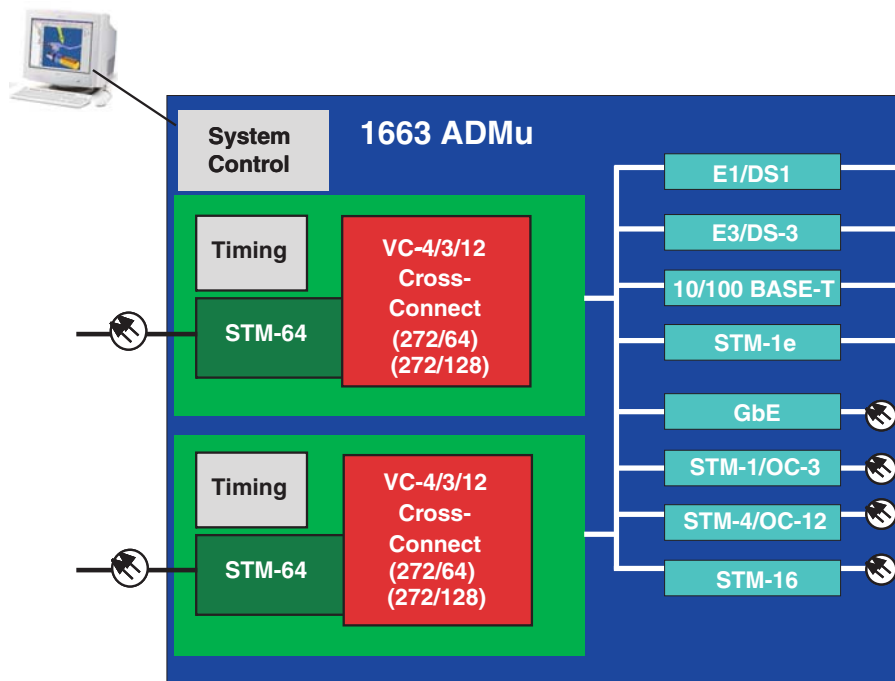
- the STM-64 S64.2b/3b 1550 nm CC-272/64 (SI-S64.2 C1/1) unit (item code: LKA27)
- the STM-64 L64.2b/3 1550 nm CC-272/64 (SI-L64.2 C1/1) unit (item code: LKA26)
- the STM-64 I64.1r 1550 nm CC-272/64 (SI-I64.1r C1/1) unit (item code: LKA47)
- the long haul 1550 nm (SI-EML64.11C1/1) unit (item code: LKA211)
- the STM-64 S64.2b/3b 1550 nm CC-272/128 (SI-S64.2 C2/1) unit (item code: LKA29)
- the STM-64 P1L1-2D2 1550 nm CC-272/128 (SI-L64.2 C2/1) unit (item code: LKA28)
- the STM-64 U64.2c/3 1550 nm CC-272/128 (SI-U64.2 C2/1) unit (item code: LKA281)
- the STM-64 I64.1r 1310 nm CC-272/128 (SI-I64.1r C2/1) unit (item code: LKA49)
- the STM-64 V64.2 1550 nm CC-272/128 (SI-V64.2 C2/1) unit (item code: LKA350).

- the 2 x STM-64 Core Unit CC-832/128 with 2 XFP ports (SI-64 XFP C4/2) (item code: LKA62).
- the 1 x STM-64 XFP CC-272/128 (with or without OBA), (SI-64 XFP C2/1) unit (item code: LKA60).

The LKA60 supports pluggable XFP which can realize 2 km, 40 km and 80 km application.

The circuit pack functionally consists of three main parts:

- higher and lower order Cross-connect function,
- timing function, and
- one STM-64 line interface.



System Controller Unit

The System Controller Unit (SC) provides the central control, supervision and security functions in the network element. For this purpose, it communicates with the function controllers on the individual interface circuit packs.

Interface circuit packs

The Alcatel-Lucent 1663 ADMu supports a large variety of interface circuit packs: 2, 1,5, 34, 45, 155, 622 Mbit/s, 2.5 Gbit/s, and 10 Gbit/s are the supported bit rates. An Ethernet interface, that works with 10/100 Mbit/s BASE-T and a Gigabit Ethernet interface fit within a tributary slot. For details of these circuit packs, refer to the descriptions in [“Circuit packs”](#) (p. 4-30).

Transmission architecture

As depicted in the illustrations below, the Core Unit is the central part of the Alcatel-Lucent 1663 ADMu transmission architecture. On a single circuit pack, the unit supplies three different functionalities, which are highly important to every multiplexer:

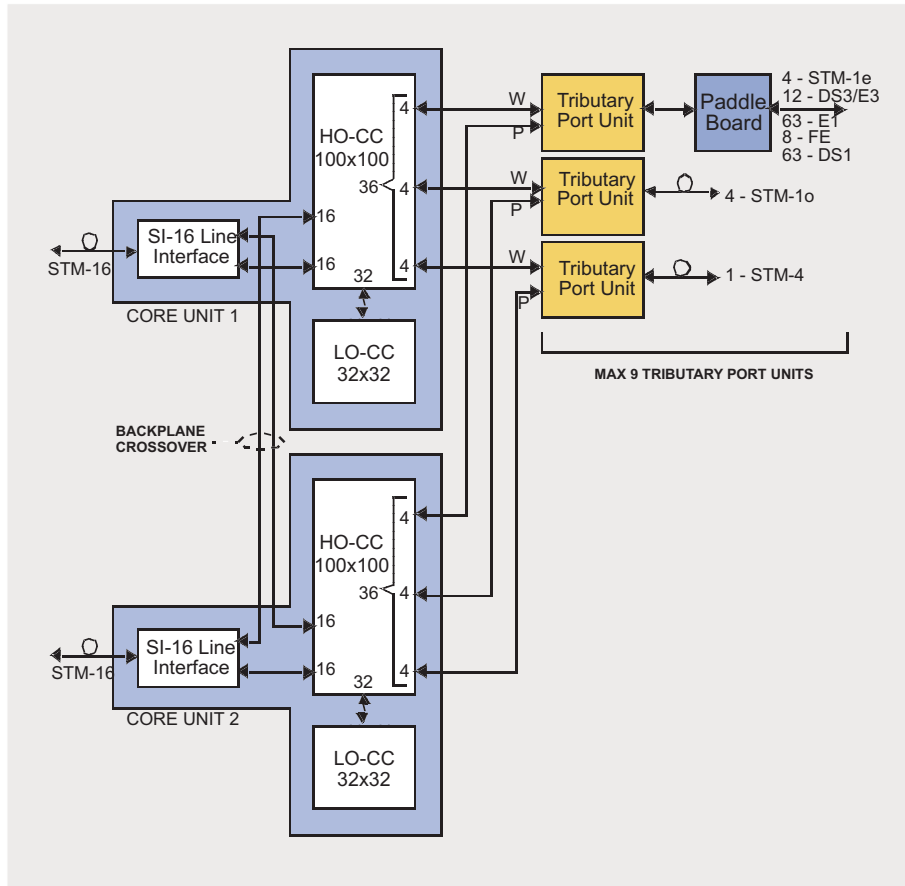
- line interface
- higher order and lower order cross-connect
- timing

System with SI-16 C2/1 Core Units (LKA24 / LKA25)

With two SI-16 C2/1 core units, the system has a total transmission capacity of 68 VC-4 equivalents (10.6 Gbps). The line interface on these units has STM-16 capacity (16 VC-4 equivalents). The nine tributary port units each have STM-4 capacity (36 VC-4 equivalents in total).

The SI-16 C2/1 core unit contains a lower order switch matrix (LO-CC) for VC-3 and VC-12 connectivity. This switch matrix has a capacity of 32 x 32 VC-4 equivalents (5 Gbps). The total capacity of the higher order switch matrix (HO-CC) is 100 x 100 VC-4 equivalents (2x16 (line ports)+ 9x4 (maximum tributaries) + 32 (LO-CC)).

The following figure shows a core unit architecture as it was used for release 1.0 and release 2.0:

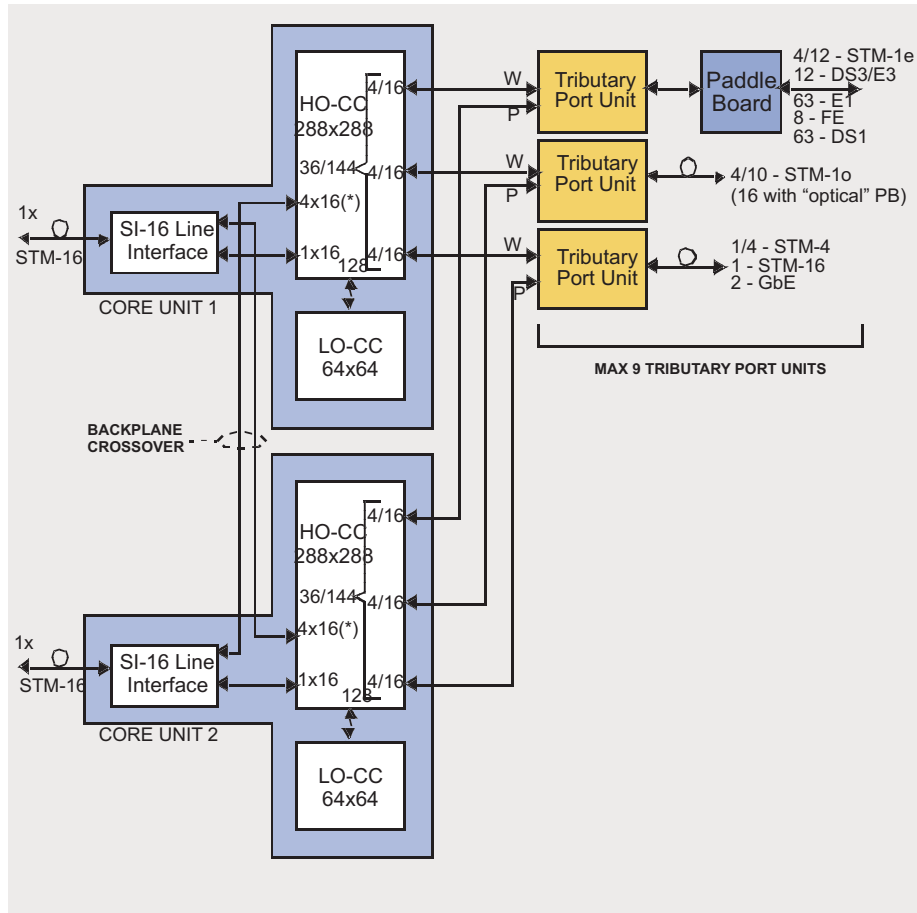


System with 2.5 G Core Units

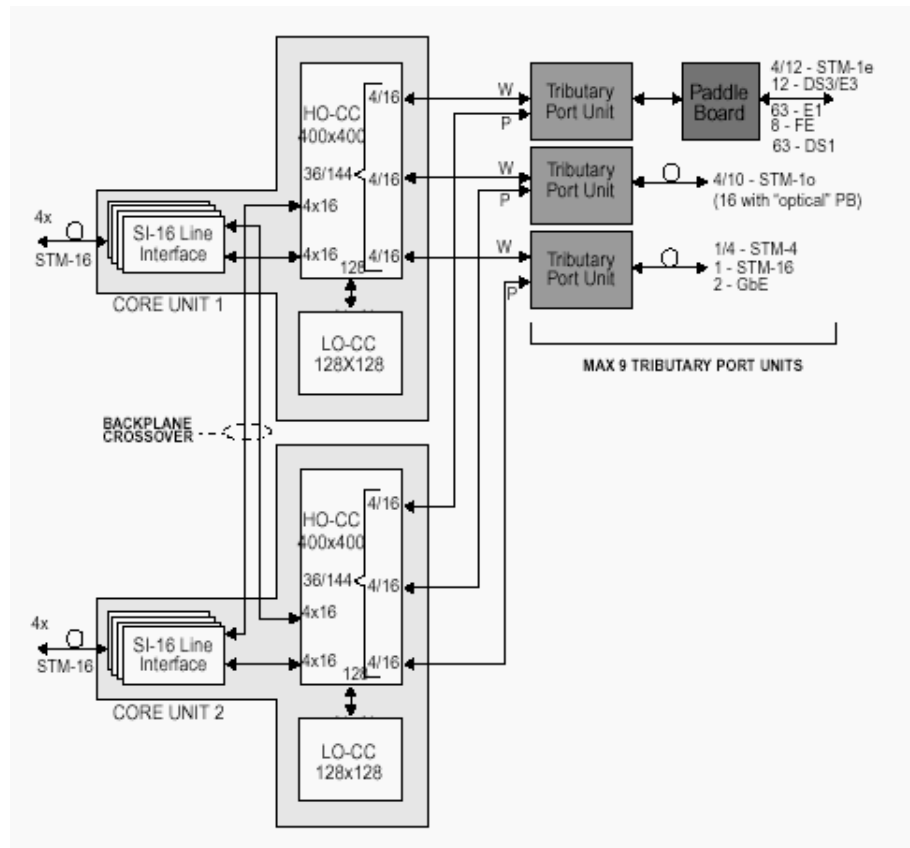
With two SI-16 C3/1 core units the system has a total transmission capacity of 176 VC-4 equivalents (27.4 Gbps). The line interface on these units has STM-16 capacity (16 VC-4 equivalents). The nine tributary port units each can either have STM-4 or STM-16 capacity (36 or 144 VC-4 equivalents).

The SI-16 C3/1 core units contain a lower order switch matrix for VC-3 and VC-12 connectivity (LO-CC). This switch matrix has a capacity of 64x64 VC-4 equivalents (10 Gbps). The total capacity of the higher order switch matrix (HO-CC) is 288x288 VC-4 equivalents (1x16 (line port) + 1x64 (maximum mate line ports) + 9x16 (maximum tributary ports) + 64 (LO-CC)).

The following figure shows a core unit architecture as it was used for release 3.0:



The following figure shows a core unit architecture as it was used from release 1.0 to release 3.0:



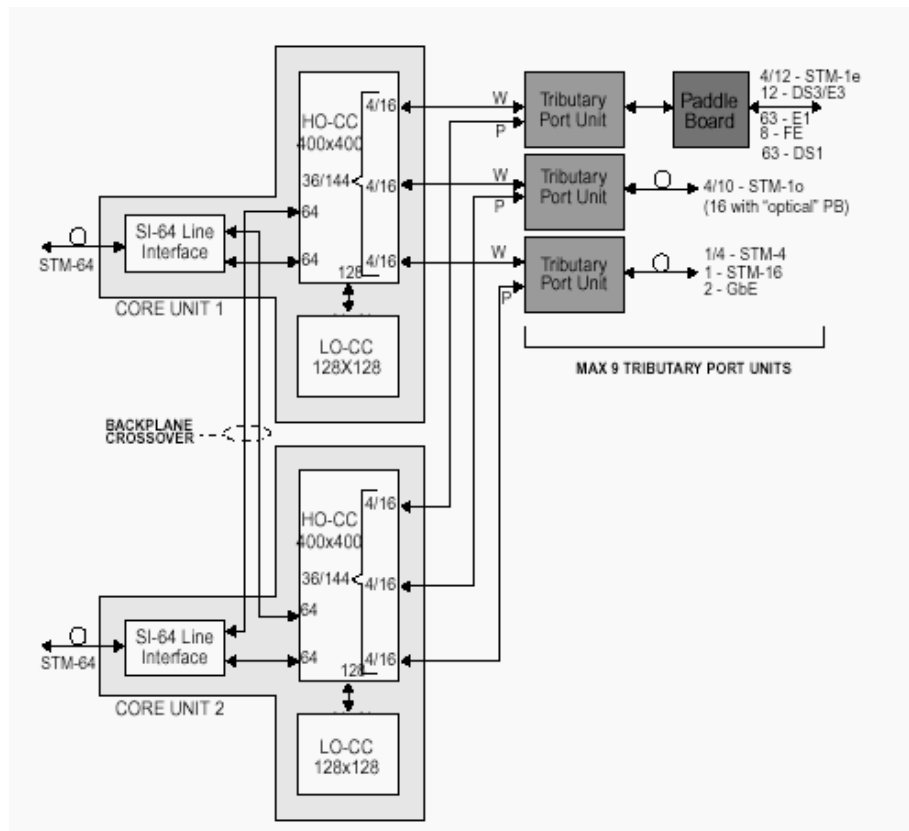
System with SI-16SFP C2/4 Core Units (LKA48)

With two SI-16SFP C2/4 core units the system has a total transmission capacity of 272 VC-4 equivalents (42.3 Gbps). The four line interfaces on these units have STM-16 capacity (16 VC-4 equivalents) each. The nine tributary port units each can either have STM-4 or STM-16 capacity (36 or 144 VC-4 equivalents).

The SI-16SFP C2/4 core units contain a lower order switch matrix for VC-3 and VC-12 connectivity (LO-CC). This switch matrix has a capacity of 128 x 128 VC-4 equivalents (20 Gbps). The total capacity of the higher order switch matrix (HO-CC) is 400 x 400 VC-4 equivalents (2x64 (line ports)+ 9x16 (maximum tributary ports)+ 128 (LO-CC)).

System with 10G core unit

The following figure shows a core unit architecture as it was used for release 3.0:



Switch function

All cross-connections are switched on the Core Unit. The 10G Core Units (272/128 (1 port 10G Core Units) and 832/128 (2 port 10G Core Units)) and the 2.5G Core Unit (64/32 respectively 272/128 (Quad STM-16 core unit (4x STM-16 SFP CC-272/128))) have a cross-connect that consists of two parts: a higher order and a lower order cross-connect part. The Core Units can connect n VC-4s from the higher order to the lower order cross-connect part, where n is the number after the “/” of a core units denotation (example: 10G Core Unit (CC-272/128)). The 2.5G Core Unit can connect 128 VC-4s from the higher order to the lower order cross-connect part while the 10G Core Unit can connect 128 VC-4s from the higher order to the lower order cross-connect part.

The following types of cross-connections are possible on both Core Units:

- unidirectional
- bidirectional
- loopback
- multi-cast

The following types of traffic can be cross-connected:

- VC-4-16c
- VC-4-4c
- VC-4
- VC-3
- VC-12

Higher and lower order cross-connect parts are interconnected via an internal cross-connect bus that is 32, 64 or 128 bidirectional VC-4s wide. The lower order cross-connect itself is unidirectional, although traffic can be switched/protected bidirectionally (default situation, unidirectional switching/protection is optional). Higher order VC-4s arriving from line or tributary circuit packs need only be routed through the lower order matrix, if the lower order VC content needs to be groomed or SNC/P protected. Otherwise, the VC-4 can be routed through the higher order cross-connect only.

VC11 cannot be cross-connected. The DS1 signal is mapped into a VC11 but then transported and cross-connected on TU-12 level.

The VC-4-16c, VC-4-4c and VC-4 traffic only passes the higher order switch matrix. Grooming and aggregation of Lower Order traffic requires VC-3 and VC-12 traffic passes both the higher and lower order switch matrices.

Flexible routing and cross-connecting of VC-4, VC-4-4c, VC-4-16c, VC-3 and VC-12 between line port ↔ line port, line port ↔ tributary port, and tributary port ↔ tributary port is supported.

Tributary and line interface circuit packs are directly connected to the higher order cross-connect via STM-1 equivalent signals (AU-4). Alcatel-Lucent 1663 ADMu uses both, STM-1 (EQSTM-1) and STM-4 (TXI622) equivalent signals.

Higher order cross-connect

The higher order cross-connect switches VC-4s. Other functions of the higher order cross-connect are:

- VC-4 SNC protection switching
- STM-16 and STM-64 MS-SPRing protection
- STM-1, STM-4, STM-16 or STM-64 MSP
- equipment protection for tributary units
- non-intrusive monitoring of VC-4s
- broadcasting.

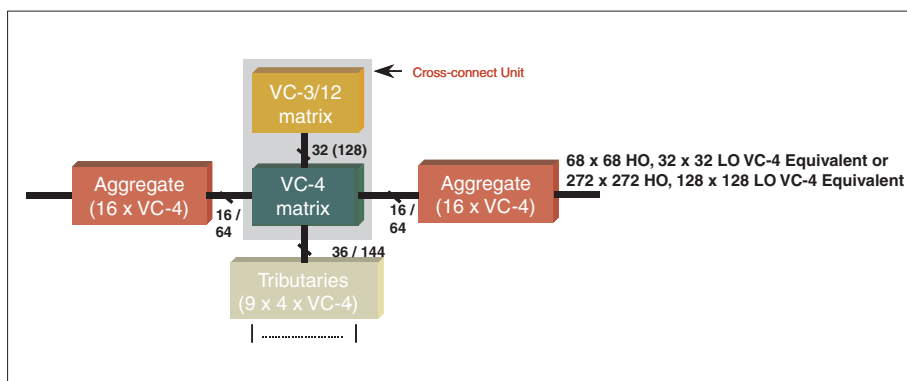
Lower order cross-connect

The lower order cross-connect switches/grooms VC-3s and VC-12s. Other functions of the lower order cross-connect are:

- lower order SNC protection
- non-intrusive monitoring of lower order VCs
- lower order broadcasting.
- VC-4 termination.

2.5G application

Depending on the core units to be used the 2.5G application comprises different transmission capacities.



2.5G Core Unit (CC-68/32)

With the 2.5G Core Unit the Alcatel-Lucent 1663 ADMu has a total switching capacity of 68 x 68 VC-4 equivalents (9 x 4 + 2 x 16). The two Line Interfaces on this Unit each have STM-16 capacity (32 VC-4 equivalents). The nine Tributary Port Units each have STM-4 capacity (36 VC-4 equivalents in total).

The 2.5G Core Unit contains a lower order switch matrix (LO-CC) for VC-3 and VC-12 connectivity. This switch matrix has a capacity of 32 x 32 VC-4 equivalents (5 Gbps). The total capacity of the higher order switch matrix (HO-CC) is 100 x 100 VC-4 equivalents (2x16 + 9x4 + 32).

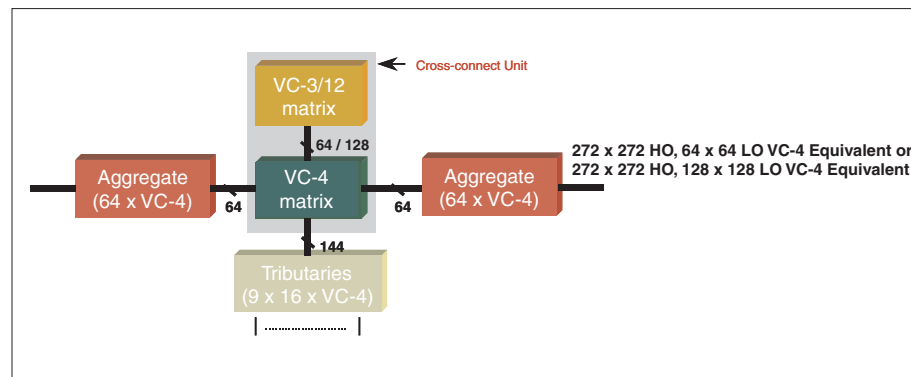
4x 2.5G Core Unit

With the 4x 2.5G Core Unit the Alcatel-Lucent 1663 ADMu has a total transmission capacity of 272x272 VC-4 equivalents (42.3 Gbps). The eight Line Interfaces on this Unit each have STM-16 capacity (128 VC-4 equivalents). The nine Tributary Port Units each can either have STM-4 or STM-16 capacity (36 or 144 VC-4 equivalents).

The 4x 2.5G Core Unit contains a lower order switch matrix for VC-3 and VC-12 connectivity (LO-CC). This switch matrix has a capacity of 128x 128 VC-4 equivalents (20 Gbps). The total capacity of the higher order switch matrix (HO-CC) is 400 x 400 VC-4 equivalents (8x16 + 9x16 + 128).

10G application

Depending on the core units to be used the 10G application comprises different transmission capacities.



10G Core Unit (CC-272/64)

With the 10G Core Unit the Alcatel-Lucent 1663 ADMu has a total transmission capacity of 272x272 VC-4 equivalents (42.3 Gbit/s). The two Line Interfaces on this Unit each have STM-64 capacity (128 VC-4 equivalents). The nine Tributary Port Units each can either have STM-4 or STM-16 capacity (36 or 144 VC-4 equivalents).

The 10G Core Unit contains a lower order switch matrix for VC-3 and VC-12 connectivity (LO-CC). This switch matrix has a capacity of 64 x 64 VC-4 equivalents (10 Gbit/s). The total capacity of the higher order switch matrix (HO-CC) is 336 x 336 VC-4 equivalents ($2 \times 64 + 9 \times 16 + 64$).

10G Core Unit (CC-272/128)

With the 10G Core Unit the Alcatel-Lucent 1663 ADMu has a total transmission capacity of 272x272 VC-4 equivalents (42.3 Gbit/s). The two Line Interfaces on this Unit each have STM-64 capacity (128 VC-4 equivalents). The nine Tributary Port Units each can either have STM-4 or STM-16 capacity (36 or 144 VC-4 equivalents).

The 10G Core Unit contains a lower order switch matrix for VC-3 and VC-12 connectivity (LO-CC). This switch matrix has a capacity of 128x 128 VC-4 equivalents (20 Gbit/s). The total capacity of the higher order switch matrix (HO-CC) is 400 x 400 VC-4 equivalents ($2 \times 64 + 9 \times 16 + 128$).

10G Core Unit (CC-832/128)

With the 10G Core Unit the Alcatel-Lucent 1663 ADMu has a total transmission capacity of 832x832 VC-4 equivalents (130 Gbit/s). The two Line Interfaces on this Unit each have STM-64 capacity (128 VC-4 equivalents). The nine Tributary Port Units each can either have STM-4 or STM-16 capacity (36 or 144 VC-4 equivalents).

The 10G Core Unit contains a lower order switch matrix for VC-3 and VC-12 connectivity (LO-CC). This switch matrix has a capacity of 128x 128 VC-4 equivalents (20 Gbit/s). The total capacity of the higher order switch matrix (HO-CC) is 400 x 400 VC-4 equivalents ($2 \times 64 + 9 \times 16 + 128$).

Add/drop capacity

Refer to [“Circuit pack capacities”](#) (p. 6-8).

Shelf configurations

The Alcatel-Lucent 1663 ADMu is part of Alcatel-Lucent' next generation of SDH equipment. The overall system requirements of compact design and flexibility were given special attention, particular in the mechanical design of the system.

Subrack

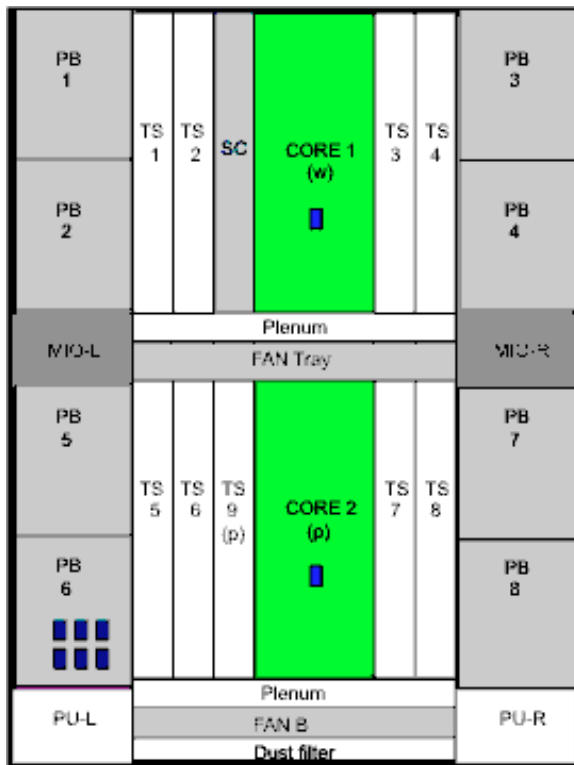
The Alcatel-Lucent 1663 ADMu consists of the following slots:

- 2 slots for the Core Units
- 9 universal slots for tributary units (optical and electrical)
- 8 sockets for paddle boards
- 1 slot for the System Controller Unit

The dimensions of a fully equipped Alcatel-Lucent 1663 ADMu subrack are 925 × 495 × 270 mm (H × W × D), which includes I/O modules and cable routing. The subrack is called EHA2, with comcode 849038294. This subrack is designed for front access so that all the connectors can be accessed from the front panel. One fan unit is considered as mandatory unit for the 2.5G and the 10G application; therefore space for fans is reserved in the middle and bottom of the subrack. The fan at the bottom of the subrack is optional, the fan in the middle is mandatory.

Operation with LKA53 In case of using LKA53 circuit packs the fan unit has to be moved from the bottom position to the middle position of the subrack due to temperature reasons.

The figure below schematically shows the Alcatel-Lucent 1663 ADMu subrack. Abbreviations used are explained in the table below.



The following abbreviations are used:

SC	System Controller Unit slot, user panel and visual indicators
TS1...4	Universal “tributary” port slot for 1,5Mbit/s (no equipment protection), 2 Mbit/s (no equipment protection), STM-1e, STM-1, STM-4, STM-16, DS3/E3, E/FE, GE1; maximum backplane capacity (TDM) per slot is 2.5 Gbit/s
TS5...8	Universal “tributary” port slot for 1,5Mbit/s (including 1:4 equipment protection), 2 Mbit/s (including 1:4 equipment protection), STM-1e, STM-1, STM-4, STM-16, DS3/E3, E/FE, DS1, GE1; maximum backplane capacity (TDM) per slot is 2.5 Gbit/s
TS9	Tributary slot without associated paddle board: STM-1, STM-4, STM-16, GE1. Also used as protection slot for DS1 and E1.
TS _n and TS(_n +1)	<i>n</i> = 1, 3, 5, 7: slot pair for STM-1e and E3/DS3 equipment protection
Core 1,2	Core Unit slot: 2.5 Gbit/s (64/32), 2.5 Gbit/s (176/64) ,Quad 2.5 Gbit/s (4x STM-16 SFP CC-272/128), (272/64), 10 Gbit/s (272/128) and 10 Gbit/s (CC-832/128)
PB1...4	Paddle Board slot for 1,5Mbit/s, 2 Mbit/s, E3/DS3, STM1e and FE. No 2 Mbit/s protection provided

PB5...8	Paddle Board slot for 1,5Mbit/s, 2 Mbit/s, E3/DS3, STM1e and FE. Includes 2 Mbit/s protection
MIO-L/R	Left and right area for miscellaneous connectors
PU-L/R	Left and right area for Power Unit
FANM, FANB	Middle and bottom fan area

Circuit packs

The Alcatel-Lucent 1663 ADMu has a broad range of optical interface circuit packs. The line ports can be equipped with STM-16 units at 1310/1550 nm or with STM-64 units at 1550 nm.

Optical interface circuit packs

Optical units	Optical connectors
SI-S1.1/4	SC
IP-GE/2	Small form factor pluggable (SFP) device, normally equipped with an LC connector.
2.5G and 10G Core Unit	Universal build-out, which allows SC, FC, and ST types of connectors; default is SC.
SI-L16.1 C2/1 and SI-L16.2 C2/1	Universal build-out, which allows SC, FC, and ST types of connectors; default is SC.

STM-64 optical line-port units

Description
S-64.2b/3b (1550 nm, ITU-T G.691)
L-64.2b/3 (1550 nm, ITU-T G.691)
SI-I64.1r (1310 nm, very short reach 10G 600 m)
U-64.2c, (1550 nm very long haul line interface 120 km)-
P1L1-2D2 (1550 nm , ITU-T G.659.1)
P1L1-2D2 (1550 nm , ITU-T G.959.1)
S-64.2b/3b (1550 nm, ITU-T G.691)
SI-I64.1r (1310 nm, very short reach 10G 600 m)
V-64.2 line interface (1550 nm, with compatible optics for 120km span width)

Description
<p>2 x STM-64 Core Unit CC-832/128 with 2 XFP ports (SI-64 XFP C4/2) (item code: LKA62) comprising the following interface variants:</p> <ul style="list-style-type: none"> • XFP I-64.1r/I-64.1 (2km) • XFP 10G-S-64.2b/S-64.3b (40km) • XFP 10G-L-64.2, P1L1-2D2 (80km) • XFP 10G-V64.2 (120km)
<p>1 x STM-64 XFP CC-272/128 (with or without OBA), (SI-64 XFP C2/1) unit (item code: LKA60). comprising the following interface variants:</p> <ul style="list-style-type: none"> • XFP I-64.1r/I-64.1 (2km) • XFP 10G-S-64.2b/S-64.3b (40km) • XFP 10G-L-64.2, P1L1-2D2 (80km)

STM-64 optical tributary interfaces:

Apparatus code	Description
OM10G-I64.1	XFP I-64.1r/I-64.1 (2km)
OM10G-S64.2	XFP 10G-S-64.2b/S-64.3b (40km)
OM10G-L64.2	XFP 10G-L-64.2, P1L1-2D2 (80km)

STM-16 optical line-port units

Description
L-16.1 (1310 nm, ITU-T G.957)
L-16.2/3 (1550 nm, ITU-T G.957)
<p>4 x STM-16 SFP CC-272/128 (SI-16 SFP C2/4) unit (item code: LKA48) comprising the following interface variants:</p> <ul style="list-style-type: none"> • L- 16.2/ 3 (1550nm, 80km) • L- 16.1 (1310nm, 40km) • I- 16 (1310nm, 2km) • CWDM (80 km, 4 colors) • CWDM (40 km, 4 colors)
1 x STM-16 SFP CC-176/64 (SI-16 SFP C3/1) unit (item code: LKA481)
1 x STM-16 VH CC-176/64 OBA (SI-16SFP/C,) unit (item code: LKA482).

Optical/electrical interfaces for tributaries

Description
L-16.1 (1310 nm, ITU-T G.957)
L-16.2/3 (1550 nm, ITU-T G.957)
S-4.1 (1310 nm, ITU-T G.957)
L-4.2 (1550 nm, ITU-T G.957)
S-1.1 (1310 nm, ITU-T G.957)
L-1.2 (1550 nm, ITU-T G.957)
STM- 1/ 4 trib unit <ul style="list-style-type: none"> • Increased density: <ul style="list-style-type: none"> – up to • 16 STM-1o or – 4 STM-4o or – 12 STM-1e ports • Mixed operation STM- 1o/ 4o • Optical ports are SFP- based • Optical interface variants (SFP): S-1.1, L-1.1, L-1.2, S-4. 1, L-4.1, L- 4.2 (i. e. 15 km, 40 km, 80 km) • Electrical interface variants (SFP): OM155M-E (SFP STM-1 electrical 100 m) • Optional 1+ 1 Equipment Protection for STM-1e
IP-GE/2 - pluggable optics (SFP based) for: <ul style="list-style-type: none"> • 1000BASE-SX (850 nm short haul multi-mode; IEEE 802.3 clause 38) • 1000BASE-LX (1310 nm long haul multi-mode; IEEE 802.3 clause 38) • 1000BASE-ZX (1550 nm long haul single-mode; IEEE 802.3 clause 38)
IP-LAN12 - pluggable optics (SFP based) for: <ul style="list-style-type: none"> • OM100B-LX (100BASE-LX (1310 nm SMF; 10km)

STM-16 optical tributary interfaces:

Apparatus code	Description
LKA50	1XSTM-16 SFP
OMI16	SFP 2G5-I16 / 2 km
OML16.1	SFP 2G5-L16.1 40 km
OM2G5-S16.1	SFP 2G5-S16.1 15 km
OM2G5-L16.2	SFP 2G5-L16.2/3 80 km

Apparatus code	Description
OM16CL51	STM-16 cWDM SFP color 13 (1510nm) 80 km
OM16CL53	STM-16 cWDM SFP color 14 (1530nm) 80 km
OM16CL55	STM-16 cWDM SFP color 15 (1550nm) 80 km
OM16CL57	STM-16 cWDM SFP color 16 (1570nm) 80 km
OM16CS51	STM-16 cWDM SFP color 13 (1510nm) 40 km
OM16CS53	STM-16 cWDM SFP color 14 (1530nm) 40 km
OM16CS55	STM-16 cWDM SFP color 15 (1550nm) 40 km
OM16CS57	STM-16 cWDM SFP color 16 (1570nm) 40 km

STM-4 & 1 optical tributary interfaces:

Apparatus code	Description
LKA39	SI-1/12 Multi-STM Main Board (12*STM-1e, 16*STM-1o, 4*STM-4)
PBP8	PB-STM-1o/e/6 PB 6xSTM-1o
OMS4.1	SFP 622M-S4.1 SFP SH 15km S-4.1
OM622M-L4.1	SFP 622M-L4.1 SFP LH 40km L-4.1
OM622M-L4.2	SFP 622M-L4.2 SFP LH 80km L-4.2
OM155M-S1.1	SFP 155M-S1.1 SFP SH 15km S-1.1
OM155M-L1.1	SFP 155M-L1.1 SFP LH 40km L-1.1
OM155M-L1.2	SFP 155M-L1.2 SFP LH 80km L-1.2
OM155SF1	SFP SFW-1490 BD-D Downstream SFP STM-1/4/GbE 1490nm single fiber working 15km
OM155SF2	SFP SFW-1310 BD-U Upstream SFP STM-1/4/GbE 1310nm single fiber working 15km
OM155SF3	SFP SFW-1550 BD-D Downstream SFP STM-1/4 1550nm single fiber working 40km
OM155SF4	SFP SFW-1310 BD-U Upstream SFP STM-1/4 1310nm single fiber working 40km

STM-16/4/1 optical tributary interfaces:

Apparatus code	Description
LKA146	SI-16/4/1/M High Speed Multi Rate Card

Apparatus code	Description	
PBP9	PB-1o/e/6-4o/6	PB 6 x STM-4 or STM-1o or STM1e
OM155M-S1.1	SFP 155M-S1.1	SFP SH 15 km S-1.1
OM155M-L1.1	SFP 155M-L1.1	SFP LH 40 km L-1.1
OM622M-S4.1	SFP 622M-S4.1	SFP SH 40 km S-4.1
OM622M-L4.1	SFP 622M-L4.1	SFP LH 40 km L-4.1
OM622M-L4.2	SFP 622M-L4.2	SFP LH 80 km L-4.2
OM2G5-I16	SFP 2G5-I16	SFP 2 km I-16
OM2G5-S16.1	SFP 2G5-S16.1	SFP SH 15 km S-16.1
OM2G5-L16.1	SFP 2G5-L16.1	SFP LH 40 km L-16.1
OM2G5-L16.2	SFP 2G5-L16.2	SFP LH 80 km L-16.2
OM10G-VSR2	XFP 10G-VSR2	XFP 2 km VSR2000-2R1
OM10G-S64.2	XFP 10G-S64.2	XFP 40 km S-64.2b
OM10G-L64.2	XFP 10G-L64.2	XFP 80 km P1L1-2D2
OM155SF1	SFP SFW-1490 BD-D	Downstream SFP STM-1/4/GbE 1490nm single fiber working 15km
OM155SF2	SFP SFW-1310 BD-U	Upstream SFP STM-1/4/GbE 1310nm single fiber working 15km
OM155SF3	SFP SFW-1550 BD-D	Downstream SFP STM-1/4 1550nm single fiber working 40km
OM155SF4	SFP SFW-1310 BD-U	Upstream SFP STM-1/4 1310nm single fiber working 40km

Electrical tributary circuit packs

Description
PI-E1/63: 2 Mbit/s
PI-DS1/63: 1.5 Mbit/s
PI-E3DS3/12: 34 and 45 Mbit/s
SI-1/4 (STM-1e): 155 Mbit/s
IP-LAN/8 (Ethernet LAN): 10/100 Base-T

Paddle boards

The tables below informs about Protection and impedance conversion using paddle boards (PB)

PB name	Item code	Comcode	Description
PB-E1/P75/63	PBE1	108684390	Unprotected or protected 75 Ω applications, 63 channels
PB-E1/P120/63	PBE 2	108684408	Unprotected or protected 120 Ω applications, 63 channels, high density paddle board
PB-E1e/P75/63	PBE3	109192120	Unprotected or protected 75 Ω applications, 63 channels, enhanced version
PB-E1/P75/63	PBE3D	109585620	Unprotected or protected 75 Ω applications, 63 channels, enhanced version
PB-E1/75/63	PBE5	109585620	Unprotected 75 Ω applications, 63 channels, enhanced version
PB-E1/120/63	PBE4	109199521	Unprotected or protected 120 Ω applications, 63 channels, high density paddle board
PB-E1/P120/63	PBE41	109536763	Unprotected or protected 120 Ω applications, 63 channels, high density paddle board

PB name	Item code	Comcode	Description
PB-DS1/P100/63	PBE12	109464222	Unprotected or protected 100 Ω applications, 63 channels, high density paddle board

PB name	Item code	Comcode	Description
PB-E3DS3/75/12	PBG4	108905597	Unprotected 75 Ω applications, 12 channels
PB-E3DS3/75/P12	PBP1	109209262	Protected 75 Ω applications, 12 channels

PB name	Item code	Comcode	Description
PB-1/P75/4S	PBG2	108746033	Unprotected 75 Ω applications, 4 channels
PB-1/P75/4D	PBP2	109209270	Protected 75 Ω applications, 4 channels
PB-1/75/12S	PBP5	109285478	Unprotected 75 Ω applications, 12 channels
PB-1/P75/12D	PBP6	109285486	Protected 75 Ω applications, 12 channels
PB-STM-1o/e/6	PBP8	109481333	6 SFP cages for STM-1o/e interfaces
PB-STM-4/1o/e/6	PBP9	109667659	6 SFP cages for STM4 and/or STM-1o and/or STM-1e interfaces

PB name	Item code	Comcode	Description
PB-LAN/100/8	PBG1	108720228	Unprotected 10/100Base—T LAN 8 channels
PB-OPT/12 SFP	PBO12	109553693	Paddle Brd. 12xLAN SFP
PB-LAN100/12	PBL12	109553685	Paddle Brd. 12xLAN 100 Ohm

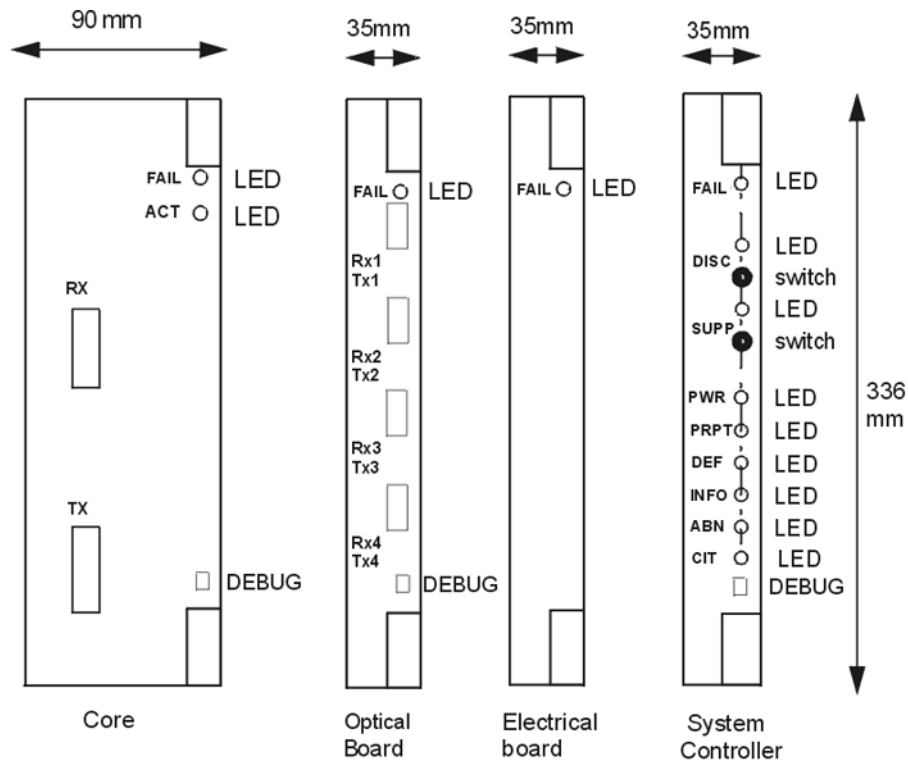
Printed circuit boards

The Alcatel-Lucent 1663 ADMu subrack can accommodate a number of circuit packs. The dimensions of the circuit packs are 336 mm high and 220 mm deep. The circuit packs are connected to the backplane by pins only: special coax and power connectors are not used. All optical connections are located at the front of the circuit pack.

There is a latching mechanism on the top and bottom of the circuit pack for insertion or extraction. LEDs are positioned in the area between the circuit pack's latches.

Apart from the System Controller Unit, which has several LEDs, all other front packs have one LED for alarm purposes.

The figure below schematically shows the front view of the circuit packs.



Paddle boards

A variety of paddle boards exists for connection between customer cabling and the backplane in case of protection or impedance conversion. The electrical components needed for conversion and/or protection are optional and will be located on the paddle board. The paddle boards are accessible at the front side of the backplane and are located at the left and right side of the subrack.

For each electrical tributary unit, these paddle boards have to be used in the case of impedance conversion and/or equipment protection. The paddle boards can be plugged in on the front of the extended back panel of the subrack in such a way that cables can enter the subrack from the left and the right side.

The paddle boards have a guiding system to prevent damage to connectors and a latching mechanism for insertion and extraction.

Interconnection system

Type of interconnections:

- Optical connections
- Circuit pack to back panel

- Back panel to paddle boards
- Paddle boards to customer cable
- Miscellaneous I/O on back panel to customer cable
- Power connections.

The customer connectors form the physical interface for the permanent and semi permanent supervision interfaces of the Alcatel-Lucent 1663 ADMu. A suppress button on the SC and the station alarm disconnect button makes it possible to suppress alarms without opening the EMC boundary of the subrack.

Customer interface

Customer interfaces that are available:

- timing
- station alarms
- miscellaneous discretes
- access to overhead bytes
- network management interfaces.

Customer connectors

The table below gives an overview of the customer connectors.

Connector	Connector type	Use
Power (XB1,XB2)	3W3 D-sub power connector, Male	Power connection
Station Clock IN 1	D-SUB 9P MALE	External Timing input 1
Station Clock IN 2	D-SUB 9P MALE	External Timing input 2
Station Clock OUT 1	D-SUB 9P FEMALE	External Timing output 1
Station Clock OUT 2	D-SUB 9P FEMALE	External Timing output 2
BTALM	D-SUB 9P FEMALE	Bay (rack) top alarms
MDI	D-SUB 15P FEMALE	Miscellaneous input
MDO	D-SUB 9P FEMALE	Miscellaneous output
Station Alarm	D-SUB 15P FEMALE	Station Alarm cabling
V11-1	D-SUB 15P FEMALE	Access to user overhead bytes, V.11 provisionable

Connector	Connector type	Use
V11-2	D-SUB 15P FEMALE	Access to user overhead bytes, V.11 provisionable
G.703-1 and G.703-2	D-SUB 9P FEMALE	Access to user overhead bytes, G.703 provisionable
Q-LAN	RJ 45	OMS connection, (Twisted-Pair Ethernet) 10 BASE-T LAN
CIT-F	RJ 45	ITM CIT connection,
SEEPROM	D-SUB 9P FEMALE	For the seeprom (backplane inventory) which comes with each subrack
H-LAN	RJ 45	10/100 BASE-T LAN (for future use)

Face plates for front-access units

It is possible to equip the front access units with a faceplate. These faceplates are designed in such a way that they can also be mounted on already deployed units. In this way it is possible to create a uniform look for the Alcatel-Lucent 1663 ADMu when the front cover of the subrack is removed. Dummy units, which should be available in different sizes, should be used in empty places.

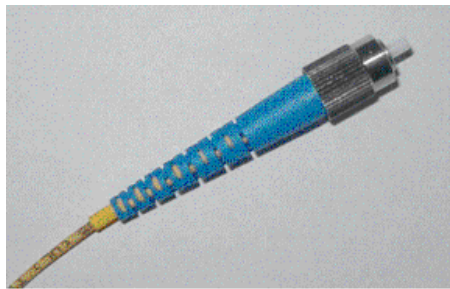
Connectors

The electrical connectors are located on the paddle board. The front-access connectors make implementation and maintenance easier and quicker. All the optical interfaces are located on the front side of the circuit packs. The following table shows an overview of interface types, cables and connectors.

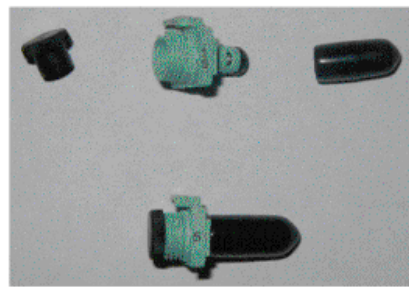
Interface type	Cable type	Connector type on connector plate	Number of cables / connectors per slot
1,5 Mbit/s	STP	2 mm FCI - BP50	16 × 8 = 128 cables
2 Mbit/s	COAX or STP	2 mm FCI - BP50	16 × 8 = 128 cables
34/45 Mbit/s	COAX	coax 1.6/5.6 connector, female	24 coax
STM-1e	COAX	coax 1.6/5.6 connector, female	8 coax
10/100 BASE-T LAN	UTP	RJ45	8 or 12 UTP

Interface type	Cable type	Connector type on connector plate	Number of cables / connectors per slot
1 GbE/ZX2	SM fiber	LC	4 fibers
100 BASE-LX10	SM fiber	LC	24 fibers
STM-1o	SM-fibre	SC	8 fibers
STM-4o	SM-fibre	SC	2 fibers
STM1o trib high density packs	SM-fibre	LC	16 fibers (10 of these on the pack itself, the other 6 on a STM-1o paddleboard:).
STM4o trib high density packs	SM break out cable	LC	4 fibers
1 GbE/SX2	SM-fibre / MMF-fibre	LC	4 fibers
1 GbE/LX2	SM fiber	LC	4 fibers
STM-16	SM-fibre	SC or FC/PC	2 fibers
STM-16 SFPs (used in LKA48, LKA481/482)	SM-fibre	LC	2 fibers
STM-64	SM-fibre	SC or FC/PC	2 fibers

FC type connections

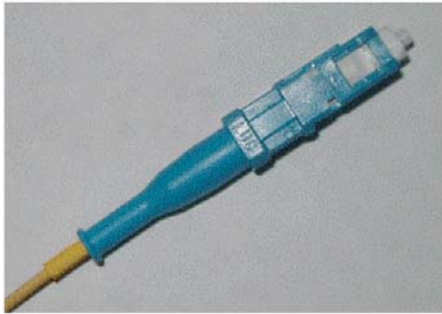


FC Type connector

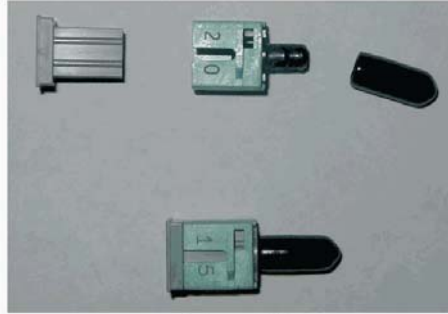


FC type LBO

SC type connections

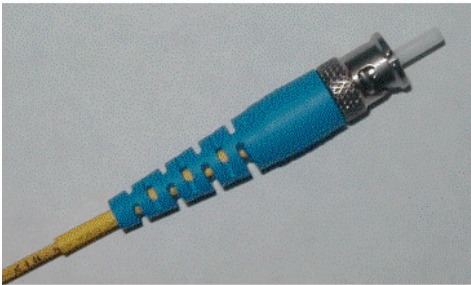


SC Type Connector

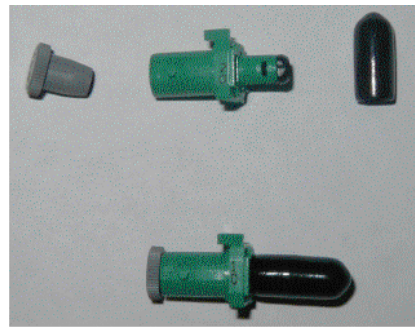


SC Type LBO

ST type connections



ST Type connector



ST type LBO

LC type connections



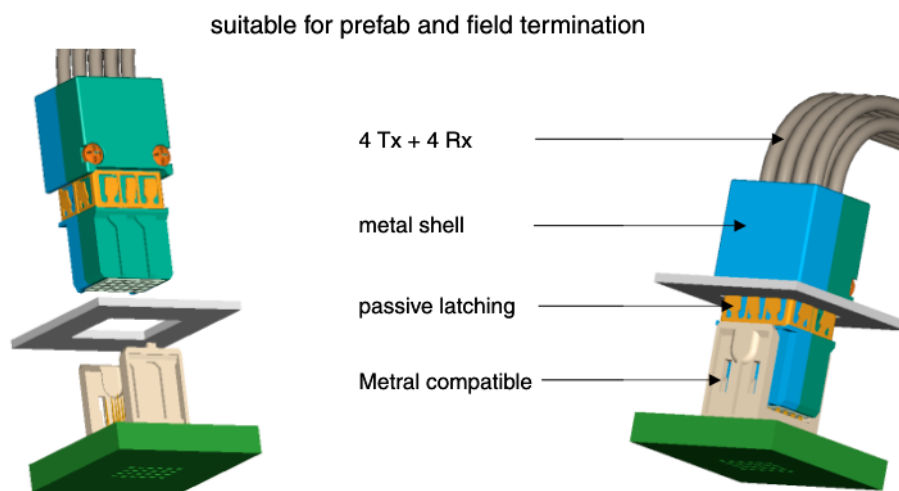
LC Type Connector



LC Type LBO

FCI - BP50

The following figure shows a 2 mm FCI with COAX or STP cable:



Cables and fibers

The Alcatel-Lucent 1663 ADMu requires a number of cable types to connect the system. The cables can be:

- 2 Mbit/s 75 Ω 8 coax cable AWG30, 2GE564*
- 2 Mbit/s 120 Ω 8 (shielded) twisted pair AWG26, 2GE134*
- 1.5 Mbit/s 100 Ω 8 (shielded) twisted pair AWG26, 2GE134*
- 34/45 Mbit/s single coaxial cable 75 Ω
- 155 Mbit/s single coaxial cable 75 Ω
- LAN4 twisted pair CAT5 cable
- misc. I/O several types of wires
- power 4 mm² power wires
- STM-1 optical cables
- STM-4 optical cables
- STM-16 optical cables
- STM-64 optical cables.

Important! The use of multi-mode fibers with STM-1 SFPs is never considered as the S-1.1 or other STM-1 or STM-4 interfaces are only specified for single-mode applications. Using multi-mode fibers (MMFS) should never be used for tests and optical loops. This will damage the receiver.

Circuit packs

2.5G Core Units 64/32

The 2.5G Core Units can be placed in the core slots of the Alcatel-Lucent 1663 ADMu system. The units have a red fault LED and a green activity LED.

The unit's main functions are:

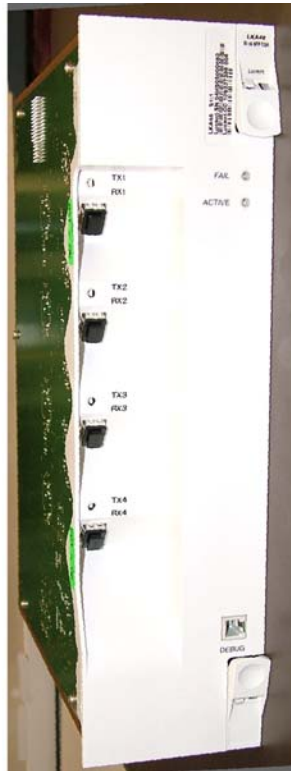
- type L-16.1, 1310 nm long haul line interface for a 40 km target distance (LKA24)
- type L-16.2/3, 1550 nm long haul line interface for an 80 km target distance (LKA25)
- OS, RS, MS termination and NIM (VC- n , with $n = 12, 3, 4$)
- 64×64 STM-1 eqv. higher order cross-connecting (VC-4/4-4c)
- 32×32 STM-1 eqv. lower order cross-connecting (VC- n , with $n = 12, 3$)
- timing collection, generation, and distribution.

2.5G Core Unit 272/128 (LKA48)

The SI-16SFP C2/4 2.5G Core Unit can be placed in the core slots of the Alcatel-Lucent 1663 ADMu system. The unit has a red fault LED and a green activity LED.

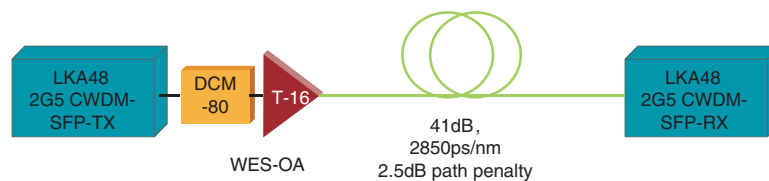
The unit's main functions are:

- four STM-16, Small Formfactor Plugable (SFP) interfaces,
- SFP with optical amplifier for 40 dB reach
- OS, RS, MS termination and NIM (VC- n , with $n =12, 3, 4$),
- 272x272 STM-1 eqv. higher-order cross connecting (VC-4/ 4-4c/4-16c),
- 128x128 STM-1 eqv. lower-order cross connecting (VC- n , with $n =12, 3$ and VC-11 (when mapped as TU-12)),
- timing collection, generation, and distribution.
- This unit can be equipped with 0, 1, 2, 3, or 4 hot-plugable STM-16 interfaces.
- This unit supports timing reference selection from just one arbitrary STM-16 port.



2.5G Core Unit application for STM-16 Long Span on G.652 fiber

This application is reached by using the SI-16SFP C2/4 2.5G Core Unit together with an SFP with optical amplifier for 41dB reach.



2.5G Core Unit 176/64 (LKA481)

The SI-16 SFP C3/1, 1 port STM-16 unit can be placed in the core slots of the system. The unit has one red fault LED plus one for the SFP.

The unit's main functions are:

- 1 STM-16, Small Formfactor Plugable (SFP) interface,
- OS, RS, MS termination and NIM (VC- n , with n =12, 3, 4),
- 176 x 176 STM-1 eqv. higher-order cross connecting (VC-4/4-4c/4-16c),

- 64x64 STM-1eqv. lower-order cross connecting (VC- n , with n =12, 3 and VC-11 (when mapped as TU-12)),
- timing collection, generation, and distribution.
- This unit can be equipped with 0 or 1 hot-plugable STM-16 SFP.
- This unit supports timing reference selection from the STM-16 port.

2.5G Core Unit 176/64 (LKA482)

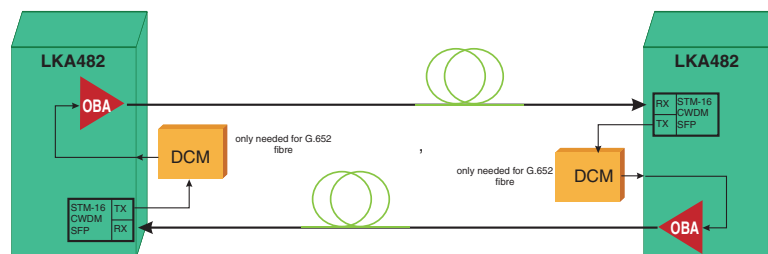
The SI-16 VH C3/1 OBA, 1 port STM-16 unit with Very Long Haul can be placed in the core slots of the system. The unit has an integrated OBA. The optical link between LD and OBA allows the inclusion of an external DCF. The unit has one red fault LED plus one for the SFP.

The unit's main functions are:

- 1 STM-16, Small Formfactor Plugable (SFP) interface,
- OS, RS, MS termination and NIM (VC- n , with n =12, 3, 4),
- 176 x 176 STM-1 eqv. higher-order cross connecting (VC-4/4-4c/4-16c),
- 64x64 STM-1eqv. lower-order cross connecting (VC- n , with n =12, 3 and VC-11 (when mapped as TU-12)),
- timing collection, generation, and distribution.
- This unit can be equipped with 0 or 1 hot-plugable STM-16 SFP.
- This unit supports timing reference selection from the STM-16 port.

2.5G Core Unit application for STM-16 Long Span on G.652 fiber

This application is reached by using the SI-16 VH C3/1 OBA 2.5G Core Unit together with an SFP with onboard optical amplifier.



The DCM is needed to extend the tolerable chromatic dispersion to a value of 2540 ps/nm within the bandwidth of the 1551nm CWDM channel. For G.653 and G.655 fiber or shorter distances of G.652 fiber where the dispersion is less than 1600 ps/nm no DCM is needed.

The following table gives an overview to the different scenarios and the selection of the right DCM:

Chromatic Dispersion Range [ps/nm] @ 1551nm		Required DCM Type	
Min.	Max.		
0	1600	no	
1400	1760	DCM-10	
1600	1920	DCM-20	
1700	2070	DCM-30	
1800	2230	DCM-40	
2000	2390	DCM-50	
2200	2540	DCM-60	
0	1000	no	
800	1160	DCM-10	
900	1320	DCM-20	
1000	1475	DCM-30	
1200	1630	DCM-40	
1400	1790	DCM-50	
1500	1950	DCM-60	

This values are only relevant if the transmission cable has very high loss or if additional component loss applies.

10G Core Units

The 10G Core Units can be placed in the core slots of the Alcatel-Lucent 1663 ADMu system. The units have a red fault LED and a green activity LED.

Important! *Please note that R1 and R3 10G core units should not be mixed for normal operation.*

It can happen, that line signal fail (SF) or signal degrade (SD) signaling is not working between both core units under failure condition. As a result, an automatic protection switch will not take place as expected.

A hardware upgrade from R1 to R3 10G core units is still working as described in the upgrade procedure, because traffic is switched via commands to support an in-service upgrade.

For the release information, refer to [“Engineering Drawing”](#) (p. 7-2).

Type L-64.2b/3 (LKA26), 1550 nm long haul line interface for an 80 km target distance

The unit's main functions are

- OS, RS, MS termination and NIM (VC4, VC4-4c, VC4-16c)
- 272×272 STM-1 eqv. higher order cross-connecting (VC-4/4-4c/4-16c)
- 64×64 STM-1 eqv. lower order cross-connecting and NIM (VC- n , with $n = 12, 3$)
- timing collection, generation, and distribution.

Type S-64.2b/3b (LKA27), 1550 nm short haul line interface for a 40 km target distance

The unit's main functions are

- OS, RS, MS termination and NIM (VC4, VC4-4c, VC4-16c)
- 272×272 STM-1 eqv. higher order cross-connecting (VC-4/4-4c/4-16c)
- 64×64 STM-1 eqv. lower order cross-connecting and NIM (VC- n , with $n = 12, 3$)
- timing collection, generation, and distribution.

Type I-64.1r (LKA47), 1310 nm intra-office interface, for 600 m target distance

The unit's main functions are

- OS, RS, MS termination and NIM (VC4, VC4-4c, VC4-16c)
- 272×272 STM-1 eqv. higher order cross-connecting (VC-4/4-4c/4-16c)
- 64×64 STM-1 eqv. lower order cross-connecting and NIM (VC- n , with $n = 12, 3$)
- timing collection, generation, and distribution.

Type SI-EML64.11C1/1 (LKA211), 1550 nm very long haul line interface for a 120 km target distance

The unit's main functions are

- OS, RS, MS termination and NIM (VC4, VC4-4c, VC4-16c)
- 272×272 STM-1 eqv. higher order cross-connecting (VC-4/4-4c/4-16c)
- 64×64 STM-1 eqv. lower order cross-connecting and NIM (VC- n , with $n = 12, 3$)
- timing collection, generation, and distribution.

Type P1L1-2D2 (LKA28) 1550 nm long haul line interface, for an 80 km target distance

P1L1-2D2 is achieved without booster amplifier.

The unit's main functions are

- OS, RS, MS termination and NIM (VC4, VC4-4c, VC4-16c)
- 272×272 STM-1 eqv. higher order cross-connecting (VC-4/4-4c/4-16c)
- 128×128 STM-1 eqv. lower order cross-connecting and NIM (VC- n , with $n = 12, 3$)
- timing collection, generation, and distribution.

Type U64.2c2/3 (LKA281) 1550 nm long haul line interface, for up to 150 km target distance

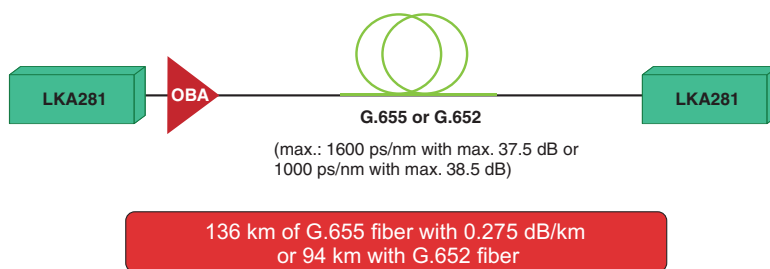
Similar to LKA28, but with SBS suppression on, in order to support interworking with an external Optical Amplifier:

The unit's main functions are

- OS, RS, MS termination and NIM (VC4, VC4-4c, VC4-16c)
- 272 × 272 STM-1 eqv. higher order cross-connecting (VC-4/4-4c/4-16c)
- 128 × 128 STM-1 eqv. lower order cross-connecting and NIM (VC-*n*, with *n* = 12, 3)
- timing collection, generation, and distribution.

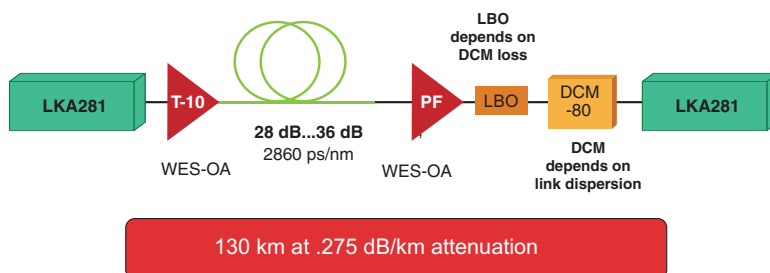
10G Core Unit application for STM-64 Long Span with optical booster amplifier only

This application is reached by using the U64.2c2/3 line interface (LKA281) together with external collocated Booster Amplifier only.



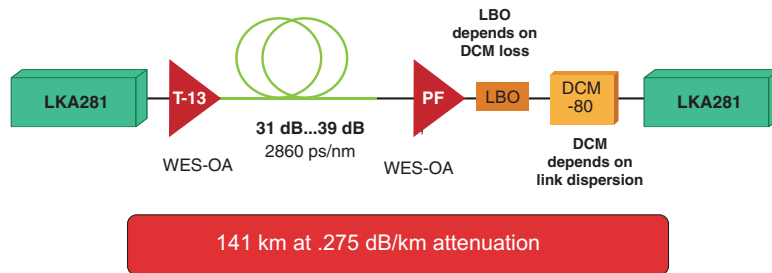
10G Core Unit application for STM-64 Long Span on G.652 Fiber (2a/2)

This application is reached by using the U64.2c2/3 line interface (LKA281) together with external collocated Booster- and Pre-Amplifier and an external collocated DCM.



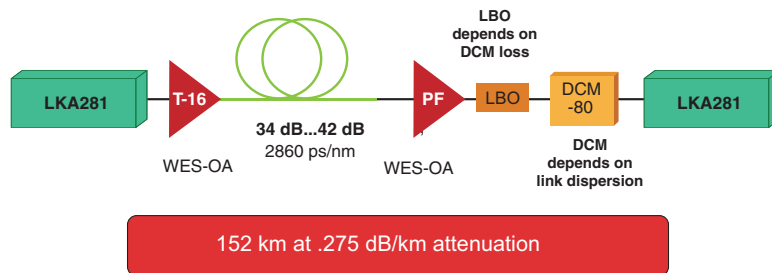
10G Core Unit application for STM-64 Long Span on G.652 Fiber (2b/2)

This application is reached by using the U64.2c2/3 line interface (LKA281) together with external collocated Booster- and Pre-Amplifier and an external collocated DCM.



10G Core Unit application for STM-64 Long Span on G.652 Fiber (2c/2)

This application is reached by using the U64.2c2/3 line interface (LKA281) together with external collocated Booster- and Pre-Amplifier and an external collocated DCM.



Type S64.2b/3b (LKA29) 1550 nm short haul line interface for a 40 km target distance

The unit's main functions are

- OS, RS, MS termination and NIM (VC4, VC4-4c, VC4-16c)
- 272×272 STM-1 eqv. higher order cross-connecting (VC-4/4-4c/4-16c)
- 128×128 STM-1 eqv. lower order cross-connecting and NIM (VC- n , with $n = 12, 3$)
- timing collection, generation, and distribution.



Type I64.1r (LKA49) 1310 nm intra-office interface, for 600 m target distance

The unit's main functions are

- OS, RS, MS termination and NIM (VC4, VC4-4c, VC4-16c)
- 272 × 272 STM-1 eqv. higher order cross-connecting (VC-4/4-4c/4-16c)
- 128 × 128 STM-1 eqv. lower order cross-connecting and NIM (VC-*n*, with *n* = 12, 3)
- timing collection, generation, and distribution.



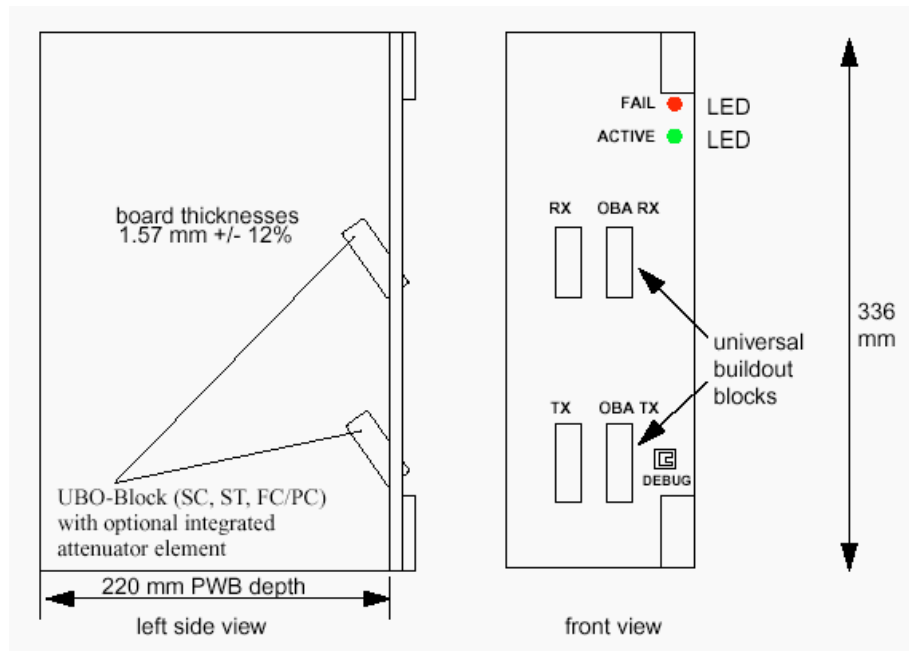
Type V-64.2/3 line interface (LKA350), with compatible optics for up to 120 km span width

Depending on the used 10G transponder used in the interface, different span width can be supported.

- LKA350 units of the series numbers S1:1 to S1:4 supports span widths of up to 110 km on G.652 fibers
- LKA350 units of the series S5:5 number supports span widths of up to 125 km on G.652 fibers and attenuation limited distances on G.655 fiber

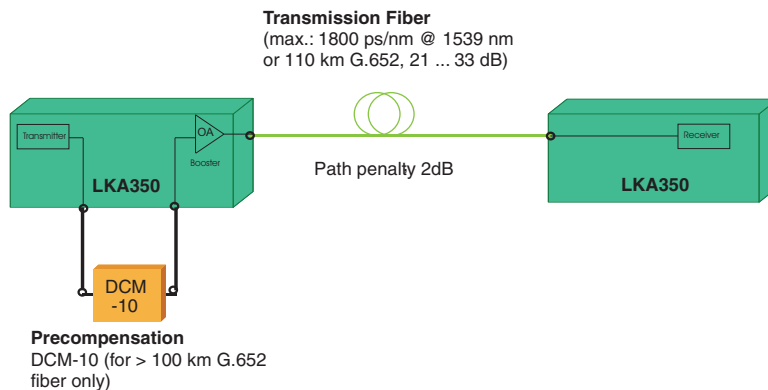
The unit's main functions are

- OS, RS, MS termination and NIM (VC4, VC4-4c, VC4-16c)
- 272 × 272 STM-1 eqv. higher order cross-connecting (VC-4/4-4c/4-16c)
- 128 × 128 STM-1 eqv. lower order cross-connecting and NIM (VC-*n*, with *n* = 12, 3)
- timing collection, generation, and distribution.



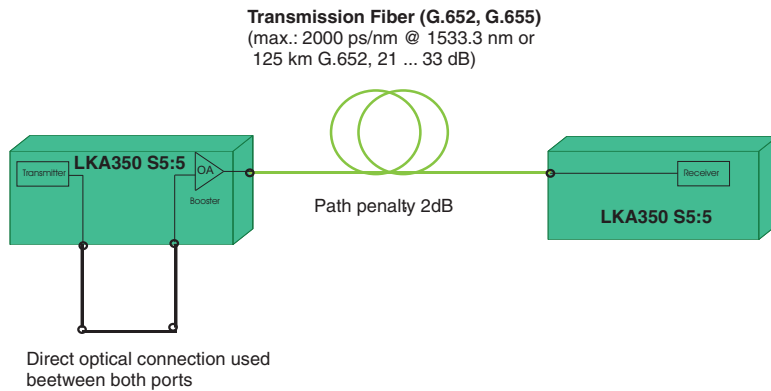
10G Core Unit application (LKA350 Series S1:1 to S1:4) for STM-64 Long Span on G.652 fiber

This application is reached by using the V-64.2/3 line interface (LKA350 S1:1 to S1:4) together with an integrated booster amplifier and an external Dispersion Compensation Module (DCM).



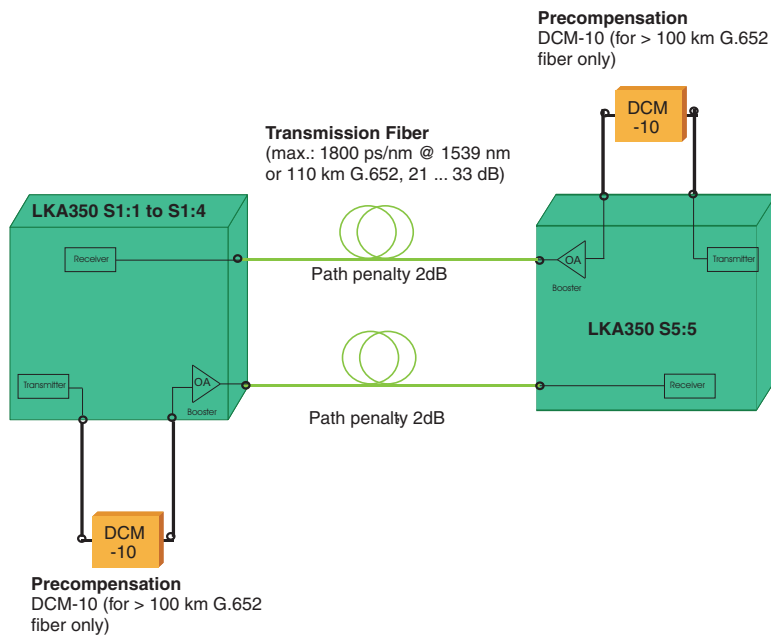
10G Core Unit application (LKA350 Series S5:5) for STM-64 Long Span on G.652 and G.655 fiber

This application is reached by using the V-64.2/3 line interface (LKA350 S5:5) with integrated booster amplifier. No external Dispersion Compensation Module (DCM) needed.



10G Core Unit application for STM-64 Long Span on G.652 fiber, interworking of LKA350 (series S1:1 to S1:4) with LKA350 (series S5:5)

This interworking scenario can be reached by using both interface LKA350 (S1:1 to S1:4) and LKA350 (S5:5) together with integrated booster amplifiers and external Dispersion Compensation Modules (DCM).



10G Core Unit XFP CC-272/128 (LKA60).

1 x STM-64 XFP CC-272/128, (SI-64 XFP C2/1) unit (item code: LKA60). comprising the following interface variants:

- XFP I-64.1r/I-64.1 (2km)
- XFP 10G-S-64.2b/S-64.3b (40km)
- XFP 10G-L-64.2, P1L1-2D2 (80km)

The unit's main functions are:

- 1 x STM-64 XFP CC-272/128, ,
- OS, RS, MS termination and NIM (VC4, VC4-4c, VC4-16c)
- 272×272 STM-1 eqv. higher order cross-connecting (VC-4/4-4c/4-16c)
- 128×128 STM-1 eqv. lower order cross-connecting and NIM (VC- n , with $n = 12, 3$)
- timing collection, generation, and distribution.

10G Core Unit XFP CC-832/128 with 2 XFP ports (LKA62).

10G Core Unit with two XFP cages and increased switching capacity.

The unit's main functions are:

- STM-64 Intra-office Optical XFP - 1310 nm, I-64.1r
- STM-64 Short Haul Optical XFP - 1550 nm, S-64.2b/3
- STM-64 Long Haul Optical XFP - 1550 nm, L-64.2b/3
- OS, RS, MS termination and NIM (VC4, VC4-4c, VC4-16c)
- High-order cross-connect capacity of $832 \times VC-4$ ($2 \times 64 VC-4$ (core1 slot) + 2×64 (core 2 slot) + $9 \times 64 VC-4$ (for 9 trib slots))
- 128×128 STM-1 eqv. lower order cross-connecting and NIM (VC- n , with $n = 12, 3$)
- timing collection, generation, and distribution.

1.5 Mbit/s plesiochronous interface unit (LKA16)

The PI-DS1/63 unit can be placed in one of the tributary slots of the Alcatel-Lucent 1663 ADMu system. In combination with a paddle board, the unit provides 63 bidirectional 1.5 Mbit/s interfaces. The unit has a red fault LED. The unit can be placed in tributary slots TS1 ... TS9.

According to [G.783]e, the unit implements:

- the PDH physical interface (PPI)
- lower order path adaptation (LPA)
- lower order path termination (LPT)
- higher-order path adaptation (HPA)
- higher-order path termination (HPT)
- the EQSTM1 backplane interface

2 Mbit/s plesiochronous interface unit (LKA2)

The PI-E1/63 unit can be placed in one of the tributary slots of the Alcatel-Lucent 1663 ADMu system. In combination with a paddle board, the unit provides 63 bidirectional 2 Mbit/s interfaces. The unit has a red fault LED. The unit can be placed in tributary slots TS1 ... TS9.

According to [G.783]e, the unit implements:

- the PDH physical interface (PPI)
- lower order path adaptation (LPA)
- lower order path termination (LPT)
- higher-order path adaptation (HPA)
- higher-order path termination (HPT)
- the EQSTM1 backplane interface

34 Mbit/s / 45 Mbit/s plesiochronous interface unit (LKA8/LKA8B)

This PI-E3DS3/12 unit can be placed in tributary slots [1 ... 8] of the Alcatel-Lucent 1663 ADMu system. On this unit there are twelve integrated switchable bidirectional external interfaces that comply with either the G.703-8 specification for 34 Mbit/s (E3) or the G.703-5 specification for 45 Mbit/s (DS3).

In the egress direction, AU-4 pointer processing and VC-4 termination (POH processing) for four AU-4s takes place. This is followed by TU-3 pointer processing, VC-3 termination (again POH processing), desynchronization and conversion to HDB3/B3ZS of the twelve 34/45 Mbit/s signals.

In the ingress direction exactly the inverse processes happen.

On this unit any mixture of twelve 34/45 Mbit/s interfaces can be realized. One unit occupies one of the slots that are reserved for tributary-port units. The unit has a red fault LED. The unit can be placed in tributary slots TS1 ... TS8. The choice between E3 and DS3 modes will be made per interface. By default all interfaces will run in DS3 mode.

STM-1e synchronous interface unit (LKA3)

This SI-1e/4 unit can be placed in the tributary slots of the Alcatel-Lucent 1663 ADMu system. The unit has four bidirectional external CMI interfaces that comply with the G.703-15 specification for 155 Mbit/s (STM-1e). The unit provides CMI encoding/decoding, pointer processing, and RS/MS termination functionality for 4 STM-1s. The unit operates in AU-4 mode. The unit has a red fault LED. The unit can be placed in tributary slots TS1 ... TS8.

For STM-1e see also [“Parent pack for STM-4, STM-1o and STM-1e \(LKA39\)”](#) (p. 4-44).

STM-1o synchronous interface units (LKA6, LKA13)

The STM-1o synchronous interface units can be placed in the tributary slots of the Alcatel-Lucent 1663 ADMu system. The units support four optical STM-1 interfaces (1310 nm short haul or 1550 nm long haul)). The unit has a red fault LED. The units can be placed in tributary slots TS1 ... TS9.

The unit's main functions are:

- type SI-S1.1/4 short haul interface
- type SI-L1.1/4 long haul interface
- OS, RS and MS termination
- 1+1 equipment protection (EQP) with a mate unit (only in combination with MSP)
- 1+1 MSP with a mate unit
- conversion between AU-3s and TU-3s.

For STM-1o see also [“Parent pack for STM-4, STM-1o and STM-1e \(LKA39\)”](#) (p. 4-44).

STM-4 synchronous interface units (LKA11 / LKA14)

The STM-4 synchronous interface units can be placed in the tributary slots of the Alcatel-Lucent 1663 ADMu system. The units support one optical STM-4 interface (1310 nm short haul or 1550 nm long haul). The units have a red fault LED. The units can be placed in tributary slots TS1 ... TS9.

The unit's main functions are:

- type SI-S-4.1/1 short haul interface
- type SI-L4.2/1 long haul interface
- OS, RS and MS termination
- 1+1 equipment protection (EQP) with a mate unit (only in combination with MSP)
- 1+1 MSP with a mate unit
- conversion between AU-3s and TU-3s.

STM-16 synchronous interface units

The STM-16 synchronous interface units can be placed in one of the 9 tributary slots of the Alcatel-Lucent 1663 ADMu system. The units provide access to one optical interface and occupy one tributary slot.

Type SI L-16.1/1 1310 nm long haul interface for a 40 km target distance (LKA23)

The unit's main functions are:

- The unit supports the universal optical connector (default SC connector) and has a red fault LED.
- OS, RS, MS termination
- support of VC-4/4-4c/4-16c ↔ AUG16 adaptation

Type SI L-16.2/1 1550 nm long haul interface for an 80 km target distance (LKA22)

The unit's main functions are:

- The unit supports the universal optical connector (default SC connector) and has a red fault LED.
- OS, RS, MS termination
- support of VC-4/4-4c/4-16c ↔ AUG16 adaptation

Type SI-x16 SFP/1 (LKA50)

The unit supports one SFP with one optical interface. These SFP's are the same as on the 4 x STM-16 SFP CC-272/128 core unit. This unit supports the LC connector and has a red fault LED plus one per SFP cage.

The unit's main functions are:

- support of 1 STM-16 SFP,
- SFP with optical amplifier for 40 dB reach
- OS, RS, MS termination
- support of VC-4/4-4c/4-16c ↔ AUG16 adaptation

Parent pack for STM-4, STM-1o and STM-1e (LKA39)

This unit (SI-1/M) supports up to

- 4 STM-4 SFP's (on the pack itself),
- 16 STM-1 SFP's,
(10 of these SFP's on the pack itself, the other 6 on a STM-1o paddleboard: PBP8/PBP9)
- 12 STM-1e ports on a STM-1e paddleboard (unprotected: PBP5, 1+1 protected: PBP6).
- STM-1 electrical SFP's on paddle board

For STM-4 and STM-1o the unit can also work in AU-3 translating mode (selectable per STM-1), depending on the traffic type on the tributary interface (AU-3 or AU-4 based). The unit has a red LED plus one per SFP cage.

Note: Only the ports 1, 5, 9 and 10 can be used for STM-4.



Data interface unit LAN Fast Ethernet Mb-EOS (IP-LAN/8) (LKA4)

This LAN unit (IP-LAN/8) is a tributary port unit of the Alcatel-Lucent 1663 ADMu system. At the system side, the unit provides a double EQSTM-1 (~300 Mbit/s) interface towards the cross-connect (CC) function. WAN capacity of up to 260 Mbit/s is available. At the external interface side, the unit provides 8 Ethernet interfaces at 10/100 Mbit/s (10BaseT/100BaseT). The Ethernet connectors are located on the paddle boards. The unit has a red fault LED. The unit can be placed in tributary slots TS1 ... TS8.

E/FE switched Card (LKA412)

This LAN unit is a tributary port unit of the Alcatel-Lucent 1663 ADMu system. This unit supports L2 Ethernet switch and mapping of Ethernet traffic into VC-3-Xv (x=1..9), VC-12-Xv (x=1..63) and VC-4-Xv (x=1..3) according GFP, IEEE tagging, VLAN trunking, LCAS and LPT.

At the system side, the unit provides a 3x TXI-622Mb interface towards the cross-connect (CC) function. Up to total 1200 Mb/s WAN capacity is available and one WAN port capacity is in Max. 100 Mbps. All 12x Ethernet interfaces can operate at full wire speed (100Mb/s).

At the external interface side, via paddle boards, the unit can provide 12 Ethernet interfaces, like 10/100BASE-T and Ethernet SFP.

The unit has a red fault LED. The unit can be placed in tributary slots TS1 .. TS8.

This unit supports exactly the same QoS and Ethernet switch function as LKA4 (excluding legacy transparent VPN mode).

Note: LKA412 substructure capability of vc4TTP channel 1,5 and 9: - no substructure, or - vc-12 substructure Channel: 2, 6 and 10: - no substructure, or - vc-12 or vc-3 substructure (vc12 and vc3 can co-exist for one vc4) Channel: 3/4, 7/8 and 11/12: - no substructure, or - vc-3 substructure

Data interface unit IP-GE/2 (LKA12)

This IP-GE/2 Gigabit Ethernet unit is a tributary port unit of the Alcatel-Lucent 1663 ADMu system. This port unit supports mapping of Ethernet traffic into VC-3-Xv and VC-4-Xv, according EOS/GFP mapping, VPN, VLAN trunking and LCAS.

At the system side, the unit provides a quad EQSTM-1 (~600 Mbit/s) interface towards the cross-connect (CC) function.

At the external interface side, the unit provides 2 Ethernet 1000BASE-X interfaces. Up to 600 Mbit/s WAN capacity is available, which means that only “lite” GbE services are allowed. This unit can be used with two “on board” pluggable optics interfaces (SX-GBE, LX-GBE and ZX-GBE).

The unit has a red fault LED. The unit can be placed in tributary slots TS1 ... TS9. This unit can support a “GbE-mate” unit in the adjacent slot, which means that full (1000 Mbit/s) GbE applications are allowed.

Data interface unit IP-GE/2 (LKA12B)

For this unit the same applies as for LKA12.

This unit supports the GbE QoS feature.

IP-GE/2F (LKA52)

The IP-GE/2F (LKA52) Gigabit Ethernet LAN interface unit is a double slot full-rate Gigabit Ethernet unit based on the IP-GE/2 (LKA12) unit. It can be used in any of the slot pairs TS1/TS2, TS3/TS4, TS5/TS6 or TS7/TS8 of the Alcatel-Lucent 1663 ADMu.

The characteristics of the IP-GE/2F (LKA52) are:

LAN interfaces	2 × 1000Base-X (SFPs for 1000Base-SX / 1000Base-LX)
Max. number of WAN ports	8

Supported rates (all with virtual concatenation)	VC-3, VC-4
Max. VCG group size	VC-3-2v VC-4-7v
Max. number of tributaries	VC-3: 24 VC-4: 8
LCAS support	VC-4
Encapsulation method	VC-3: GFP or EoS VC-4: GFP
Total transmission capacity	2 × 600 Mbit/s or 1 × 1.0 Gbit/s point-to-point (1.2 Gbit/s from backplane)

SI-16/4/1/M (LKA146)

The SI-16/4/1/M is a high-speed multi-rate tributary card for STM-16, STM-4, STM-1o and STM-1e. This unit can be placed in one of the 9 tributary slots of the system. It supports 16 STM-N ports via pluggable SFPs.

LKA146 can only be used together with an LKA62 core unit.

The following maximum configurations can be achieved (any mixtures are allowed):

- up to 4 STM-16 SFPs (on the pack itself)
- up to 16 STM-4 SFPs (10 on the pack itself, 6 on paddle board)
- up to 16 STM-1o SFPs (10 on the pack itself, 6 on paddle board)
- up to 6 STM-1e SFPs (on the paddle board)

Main functions:

- MSP and MSSPRing protection
- 16 SFP ports STM-1/4 switchable out of this 4 x STM-1/4/16.
- Any mix of configuration
- VC-12/3/4-nc support SNC protection
- All protection between any ports on the NE

IP-GE/8F-OS (LKA58)

The IP-GE/8F-OS Private Line Gigabit Ethernet card (LKA58) can be placed in one of the nine tributary slots of the system. It provides 8 LAN ports with SFP cages for 1GbE LANPHY. Internally the unit has eight WAN ports to which a fixed one-to-one coupling is present.

The total WAN port capacity is 4xTXI2G5 if interworking with the 2-port 10G XFP core unit LKA62 and 10G backplane, allowing all eight interfaces to operate at the full 1000 Mb/s speed. The unit also supports a 4xTXI622 mode for interworking with older core units and 2G5 backplane, allowing two interfaces to operate at the full 1000 Mb/s speed.

Important! Please note that it is *not recommended* to use an LKA58 unit in combination with first generation STM-64 core units (LKA26, LKA27, LKA47, LKA211) because the combination of an LKA58 with first generation STM-64 core units is *not tested*, and therefore interworking *cannot* be guaranteed.

Main functions of the LKA58 are:

- GFP mapping
- Support of Ethernet frame sizes of up to 9216 bytes (jumbo frames)
- Link Pass-Through (LPT) functionality
- link capacity adjustment scheme (LCAS)
- link aggregation group (LAG) (only tunneling)
- outgoing GbE loopback

The unit has a red fault LED. On each SFP port are two LEDs: a dual color (red/green) LED indicating the link status of the port, an amber LED indicating (RX/TX) activity on the port.

IP-GE/2F-OS (LKA53)

The IP-GE/2F-OS pack (Gigabit Ethernet Full Rate / One Slot Pack) enhances Alcatel-Lucent 1663 ADMu Gigabit Ethernet transport capabilities in the following aspects, as compared to the R1 and R2 packs LKA12/LKA52:

- full rate GbE capability with a single slot board (LKA12: 600 Mbit/s backplane capacity; LKA52: 2 slots)
- 2.5 Gbit/s connectivity to the backplane (LKA12/LKA52: 4/8 times EQSTM1 only)
- full low order VC12/VC3 as well as higher order VC4 termination (LKA12/LKA52: VC3, VC4 only)
- LCAS for all levels (LKA12/LKA52: VC4-Xv only)
- high number of WAN ports (up to 64) (LKA12/LKA52: up to 8)

The IP-GE/2F-OS (LKA53) Gigabit Ethernet LAN interface unit is a single slot full-rate Gigabit Ethernet unit which can be used in any of the tributary slots TS1 ... TS9 of the Alcatel-Lucent 1663 ADMu.



Characteristics

The characteristics of the IP-GE/2F-OS (LKA53) are:

LAN interfaces	2 × 1000Base-X (SFPs for 1000Base-SX / 1000Base-LX / 1000Base-ZX / 1000Base-BX)
Max. number of WAN ports	64
Supported rates (all with virtual concatenation)	VC-12, VC-3, VC-4
Max. VCG group size	VC-12-63v VC-3-21v VC-4-8v
Max. number of tributaries	VC-12: 1008 VC-3: 48 VC-4: 16
LCAS support	VC-12, VC-3, VC-4
Encapsulation method	GFP

Total transmission capacity	2 × 1.0 Gbit/s point-to-point (2488.32 Mbit/s from backplane)
-----------------------------	--

Important! The IP-GE/2F-OS (LKA53) Gigabit Ethernet unit can only be used in combination with

- an LKA21/LKA21B/LKA20 System Controller, and
- a 2.5-Gbit/s or 10-Gbit/s core unit of type SI-L64.2 C1/1 (LKA26), SI-I64.1r C1/1 (LKA47), SI-S64.2 C1/1 (LKA27), SI-16SFP C2/4 (LKA48), SI-16 SFP C3/1(LKA481), SI-16 VH C3/1 OBA (LKA482), SI-L64.2 C2/1 (LKA28), SI-U64.2 C2/1 (LKA281), SI-S64.2 C2/1 (LKA29), SI-I64.1r C2/1 (LKA49), SI-V64.2 C2/1 (LKA350), SI-64 XFP C2/1 (LKA60), or SI-64 XFP C4/2 (LKA62).

Gigabit Ethernet port LEDs

On the faceplate of the Gigabit Ethernet circuit packs, there are two additional LEDs (“LINK” and “DATA”) associated with each external Ethernet port (LAN port) which provide the following information:

- The green LED labeled “LINK” indicates the link status, that is, the green LED is lit if the corresponding link is active.

The LAN port status LED behaves slightly differently on IP-GE/2F-OS when compared to other packs. Upon some transmission defect conditions, the LED does not blink with 1 Hz (as the other units do), but with 15 Hz.

- The yellow LED labeled “DATA” indicates the link activity (transmitted data in both transmission directions).

MRV module

The only supported MRV module by Alcatel-Lucent 1663 ADMu is MRV *Fiber*[®] Driver EM316-GRMAHSH (10/100/1000 Mbps)

MRV equipment comcodes

MRV equipment part	Comcode
GRMAHSH-RL User port Auto-sensing between 10/100/1000Mbps Copper and SFP Based Fiber, to Redundant Fiber SFP Based Trunk, 802.3AH, with IP-Less Remote Management RoHS 5/6 Compliant (SW revision - Lucent 1.0	300894011

MRV equipment part	Comcode
<p>LU BNDL EU1 GR-RL</p> <p>Single-slot chassis with internal 200-250 VAC Power Supply (European version), no power cable is provided with User port Auto-sensing between 10/100/1000Mbps Copper and SFP Based Fiber, to Redundant Fiber SFP Based Trunk, 802.3AH, with IP-Less Remote Management RoHS 5/6 Compliant (SW revision - Lucent 1.0)</p>	300894029
<p>LU BNDL DC1 GR-RL</p> <p>Single-slot Chassis with Internal -48V DC Power Supply. Desk Top with User port Auto-sensing between 10/100/1000Mbps Copper and SFP Based Fiber, to Redundant Fiber SFP Based Trunk, 802.3AH, with IP-Less Remote Management (SW revision - Lucent 1.0)</p>	300894037
<p>EFRMAHSH-RL</p> <p>User port Auto-sensing between 10/100Mbps Copper and 100 SFP Based Fiber to Redundant SFP based Fiber trunk with 802.3AH extended Remote Management RoHS 5/6 Compliant (SW Revision - Lucent 1.0)</p>	300894045
<p>LU BNDL EU2 EFR-RL</p> <p>Single-slot chassis with internal 200-250 VAC Power Supply (European version), no power cable is provided with User port Auto-sensing between 10/100Mbps Copper and 100 SFP Based Fiber to Redundant SFP based Fiber trunk with 802.3AH extended Remote Management (SW Revision - Lucent 1.0)</p>	300894052
<p>LU BNDL DC2 EFR-RL</p> <p>Single-slot chassis with internal 200-250 VAC Power Supply (European version), no power cable is provided with User port Auto-sensing between 10/100Mbps Copper and 100 SFP Based Fiber to Redundant SFP based Fiber trunk with 802.3AH extended Remote Management (SW Revision - Lucent 1.0)</p>	300894060

Notes:

1. A bundle consists of the MRV Fiber driver module and the chassis.
2. The MRV hardware is shipped pre-configured for Alcatel-Lucent interworking. The specific settings are as well described in the documentation delivered with the respective bundle.
3. The MRV-specific configurations on Alcatel-Lucent circuit packs are also described in the documentation delivered with the respective bundle.

Supported MRV SW version**MRV DIP switch settings**

The MRV DIP switch must be set as follows:

Block	Switch	Label	Supported setting	Notes
SW1	1	MX DIS	don't care	Ignored by MRV if AUTO==ON.
	2	AUTO	ON	Selects user-port autonegotiation enabled
	3	1000Tx	don't care	Ignored by MRV if AUTO==ON
	4	100Tx	don't care	Ignored by MRV if AUTO==ON
	5	HDPLX	don't care	Ignored by MRV if AUTO==ON
	6	CPE EN	ON	Selects CPE mode
	7	LIN EN	ON	Selects LIN-enabled mode
	8	RM DIS	OFF	Currently reserved for future use by MRV.
SW2	1	NM DIS	ON	Disables NM write access to the MRV module.
	2	LPBK	OFF	Disables local loopback.
	3	PRE EN	OFF	Currently reserved for future use by MRV.
	4	T-AUTO	OFF	Disables autonegotiation on trunk interface.

When using this settings, the MRV module is expected to bring up the links as follows, after connecting the equipment and powering up the MRV module:

User Link (P3 for SFP 1000/100 Mbps or P4 for 10/100 Mbps):

- Autonegotiation: on
- Rate: autonegotiated
- Duplexity: autonegotiated
- Flow Control: off (will not be negotiated)

Trunk Link (P1):

- Autonegotiation: off
- Rate: 1000
- Duplexity: full
- Flow Control: off

Important! The LKA53 Default Port Mode is “Autonegotiation enabled” !

1.5 Mbit/s paddle board, 100 Ω unprotected

The paddle board PB-DS1/100/63 can be placed in the PB slots of the Alcatel-Lucent 1663 ADMu system. This PB is an extension of the PI-DS1/63, and provides:

- 100 Ω adaption
- simplicity for subscriber cable connections

The board is placed in the I/O slot positions that are associated with the (worker) tributary slots and are responsible for the connection function for the PI-DS1/63 unit. The paddle board has a red fault LED.

1.5 Mbit/s paddle board, 100 Ω , protected

The *PB-DS1/P100/63* unit can be placed in the PB slots of the Alcatel-Lucent 1663 ADMu systems. This PB is an extension of the PI-DS1/63, and provides:

- protection 1:N in case of PI-DS1/63 unit, (in TS9)
- 100 Ω adaption
- simplicity for subscriber cable connections

The board is placed in the I/O slot positions associated with the (worker) tributary slots and responsible for the protection and connection function for the PI-DS1/63 unit. The paddle board can also be used for operation without 1:N protection. The paddle board has a red fault LED.

2 Mbit/s paddle board, 75 Ω or 120 Ω unprotected

The PB-E1/75/63 unit and the PB-E1/120/63 unit can be placed in the PB slots of the Alcatel-Lucent 1663 ADMu system. This PB is an extension of the PI-E1/63 and provides:

- high-density interconnect
- 75 Ω adaption in the case of type PB-E1/75/63
- 120 Ω adaption in the case of type PB-E1/120/63.

The board is placed in the I/O slot positions that are associated with the (worker) tributary slots and are responsible for the connection function for the PI-E1/63 unit. The paddle board has a red fault LED.

2 Mbit/s paddle board, 75 Ω or 120 Ω protected

The PB-E1/P75/63 (PBE3D) unit and PB-E1/P120/63 (PBE41) unit can be placed in the PB slots of the Alcatel-Lucent 1663 ADMu systems. This PB module is an extension of the PI-E1/63 and provides:

- high density interconnect
- protection 1:N in case of PI-E1/63 unit (in TS9)

- 75 Ω adaption in case of type PB-E1/P75/63
- 120 Ω adaption in case of type PB-E1/P120/63.

The board is placed in the I/O slot positions associated with the (worker) tributary slots and responsible for the protection and connection function for the PI-E1/63 unit. The paddle board can also be used for operation without 1:N protection. The paddle board has a red fault LED.

34/45 Mbit/s paddle boards

Paddle boards for 12 \times E3/DS3 unprotected interface and 1.6/5.6 connectors (PBG4)

This PB-E3DS3/75/12 unit can be placed in PB slots PB1 ... PB8 of the Alcatel-Lucent 1663 ADMu system. On this paddle board there are 1.6/5.6 connectors for twelve bidirectional external HDB3/B3ZS interfaces. These connectors comply with either the G.703-8 specification for 34 Mbit/s (E3) or the G.703-5 specification for 45 Mbit/s (DS3). The paddle board can be used for unprotected interfaces in combination with one unit. The unit has a red fault LED.

Paddle boards for 12 \times E3/DS3 interface with 1+1 protection and 1.6/5.6 connectors (PBP1)

This PB-E3DS3/P75/12 unit can be placed in PB slots PB1 ... PB8 of the Alcatel-Lucent 1663 ADMu system. On this paddle board there are 1.6/5.6 connectors for twelve bidirectional external HDB3/B3ZS interfaces. These connectors comply with the either G.703-8 specification for 34 Mbit/s (E3) or the G.703-5 specification for 45 Mbit/s (DS3). The paddle board can be used for 1+1 protection in combination with two units in two adjacent trib slots (trib slots 1&2, 3&4 and 5&6, 7&8 are allowed). The unit has a red fault LED.

STM-1e paddle boards

The following STM-1e paddle boards are supported:

PB 4 \times STM-1e

Paddle board PB-1/P75/4D (PBP2) and PB-1/P75/4S (PBG2) for 4 \times STM-1e interfaces with 1+1 protection with 1.6/5.6 connectors. On this paddle board there are 1.6/5.6 connectors for four bidirectional external CMI interfaces. These connectors comply with the G.703-15 specification for 155 Mbit/s (STM-1e). The paddle board can be used for 1+1 protection in combination with two units in two adjacent tributary slots (trib slots 1&2, 3&4, 5&6 and 7&8 are allowed).

PB 12 \times STM-1e (unprotected) (PBP5)

On this paddle board 1.6/5.6 connectors for 12 bidirectional external CMI interfaces, complying with G.703-15 specification for 155 Mbit/s (STM-1e), are available. This unit supports unprotected STM-1e interfaces only. This board will be used for unprotected applications in combination with units as described in [“Parent pack for STM-4, STM-1o](#)

and STM-1e (LKA39)” (p. 4-44). It will be used in the I/O slot positions belonging to tributary slots TS1 .. TS8. The PB has a red fault LED. Data for information only: Unit ID: PBP5 PB-1/75/12S

PB 12 x STM-1e (1+1 protected) (PBP6)

On this paddle board 1.6/5.6 connectors for 12 bidirectional external CMI interfaces, complying with G.703-15 specification for 155 Mbit/s (STM-1e), are available. The paddle board can be used for 1+1 protection in combination with two units, as described in “Parent pack for STM-4, STM-1o and STM-1e (LKA39)” (p. 4-44), in two adjacent trib slots (trib slots 1&2, 3&4 and 5&6, 7&8 are allowed). The PB has a red fault LED. Data for information only: Unit ID: PBP6 PB-1/P75/12D

6 x STM-1o/1e paddle board (PBP8)

On this paddle board are 6 SFP cages for STM-1o or STM-1e interfaces. This board can optionally be used in combination with unit LKA39. This board can only be used in combination with the unit LKA39. The PB will have a dedicated fault LED for each SFP cage plus one for the PB itself. Data for information only: Unit ID: PBP8 PB-STM-1o/6

6 x STM-4/1o/1e paddle board (PBP9)

On this paddle board are 6 SFP cages for STM-4 or STM-1o or STM1e interfaces. This board can optionally be used in combination with units LKA39 or with the multi-rate trib unit LKA146. The PB will have a dedicated fault LED for each SFP cage plus one for the PB itself.

12x10/100BaseT Paddle board for unprotected LAN interfaces (PBL12)

This PB-LAN/100/12 unit can be placed in the I/O slots of the Alcatel-Lucent 1663 ADMu. This LAN interface paddle board provides RJ45 connectors for 12 Ethernet UTP interfaces at 10 Mbit/s/100 Mbit/s(10BaseT/100BaseT). The paddle board does not perform equipment protection for the Ethernet connections. Each RJ45 port has 2 LEDs linked, one green LED for Link status and one yellow LED for Activity status. The paddle board will have a red fault LED. For Alcatel-Lucent 1663 ADMu the unit can be placed in the I/O slots associated with TS1 .. TS8.

12x Ethernet SFP paddle board for unprot. LAN interfaces (PBO12)

This PB-LAN/opt/12 SFP unit can be placed in the I/O slots of the Alcatel-Lucent 1663 ADMu. This LAN interface paddle board provides SFP sockets for 12 Ethernet electrical / optical interfaces at 10 Mbit/s/100Mbit/s (10/100BASE-T, 100BASE-FX, 100BASE-LX10 and 100BASE-BX, etc). The paddle board does not perform equipment protection for the Ethernet connections. Each SFP socket has three LEDs linked, one

green LED for Link status, one yellow LED for Activity status and one red LED for SFP Fault status. The paddle board has a red fault LED. The unit can be placed in the I/O slots associated with TS1 .. TS8.

Paddle board-LAN/100/8

This PB-LAN/100/8 unit can be placed in the PB slots of the Alcatel-Lucent 1663 ADMu system. This LAN interface paddle board provides connectors for eight Ethernet UTP interfaces at 10/100 Mbit/s (10BaseT/100BaseT). The paddle board does not perform equipment protection for the Ethernet connection. Each RJ-45 connector has a green link-status LED. The paddle board has a red fault LED.

System Controller Unit (SC)

The System Controller Unit (SC) provides the central control, supervision, and security functions in the network element. For this purpose, it communicates with the function controllers on the individual interface circuit packs.

The System Controller Unit (SC) controls and provisions all circuit packs via a local LAN bus. The SC also provides the external operations interfaces for office alarms, miscellaneous discretes and connections to the overhead channels (a maximum of four overhead bytes may be selected for connection to four connectors on the interconnection box).

The SC also facilitates first line maintenance via several LEDs and buttons on the front panel. General status and alarm information is displayed. The System Controller Unit houses the systems' LEDs and buttons for station alarms. The SC has a red fault LED. Various controls and an F-interface connector, for a local maintenance PC (ITM-CIT), are also located on this panel. The SC communicates with the centralized management system (OMS). One part of the SC, which routes management information between SDH equipment and the element management system, is the Data Packet Switch (DPS). Communication is established via the Data Communication Channels (DCC) (= D1-3/D4-12 bytes), within the STM-N section-overhead signals or via one of the Q-interfaces of the system.

Information that is destined for the local system is routed to the System Controller Unit, while other information is routed from the node via the appropriate embedded channels of the STM-N line or tributary signals (N= 1, 4, 16 or 64). The OMS manages the Alcatel-Lucent 1663 ADMu at the element level and the network level. The ITM-Craft Interface Terminal (ITM-CIT) can be used to manage small networks and for maintenance.

The System Controller Unit is part of the minimum equipment of any system configuration. The SC is needed to store/change all system configuration data and to control many of the automatic processes (e.g. equipment-protection switching) within the system. The SC contains the system memory banks. A system cannot start up without a System Controller Unit.

When a System Controller Unit is removed from a working system the system continues to operate, but some automatic maintenance actions will no longer take place. Although the System Controller Unit is not protected. However this does not represent a single point of failure since the SC functionalities are distributed through the system and mainly in the Core Units which are equipment protected. This implies that in case of a simultaneous SC failure and network link failure, line and path protection schemes will still function.

The following system controller can be used in a Alcatel-Lucent 1663 ADMu system.

- *LKA21/21B*

System Controller 2

- *LKA1D*

System Controller Plus

- *LKA20*

The LKA20 is an enhanced version of LKA1D, and has enhanced features and performance. It supports:

- Support of 128 DCC channels

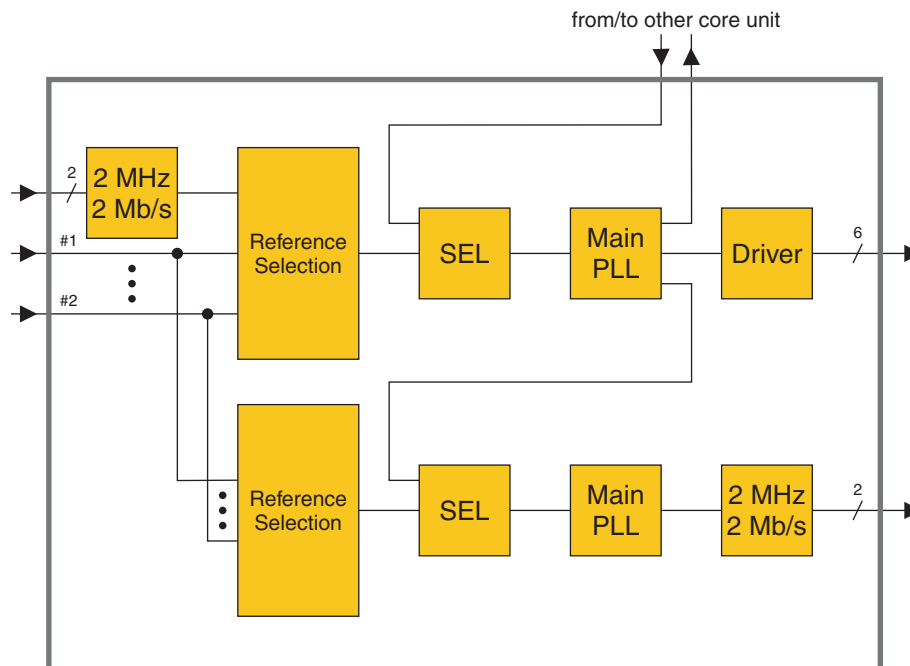
The following figure shows the System Controller unit, LKA21:



Synchronization and timing

Timing architecture

The figure below depicts the architecture of the timing function on the 2.5G and 10G Core Units of the Alcatel-Lucent 1663 ADMu system. A 1+1 equipment protection scheme will be provisioned automatic between the two Core Units.



External timing reference inputs

There are two external timing reference inputs for synchronization purposes. The signal format can be either 2048 kHz according to the G.703-10 or 2048 kbit/s according to the G.703-6. The 2048 kbit/s reference signal can be either framed according to G.704 or unframed (in that case also AIS is a valid format).

The desired format can be selected for each input. The impedance of the interfaces (75 Ω coaxial or 120 Ω symmetrical) is determined at installation according to customer prescription (but equal for both interfaces). Even if only one timing unit is present in the system, two input signals can be applied.

Timing clock conversion function (for Japanese market)

In Alcatel-Lucent 1663 ADMu systems there are two station clock inputs at 2048 kHz, while Japan market requires different station clock interfaces: 64 kHz + 8 kHz (+ 400 Hz) for NE input and 6312 kHz for NE output. These two independent 64 kHz signals coming from outside are converted by the so-called MIOR-J unit into two independent 2048 kHz signals.

SSM support (Synchronization Status Message)

If the selected format of an external synchronization signal is 2048 kbit/s with G.704 framing, the reception and transmission of SSM's in a user assignable Sa bit (4 to 8) location can optionally be supported. Bit 4 is default.

Excessive reference frequency offset mapped to reference fail

If the active reference of the Alcatel-Lucent 1663 ADMu is outside the acceptable range (at least ± 11 ppm), the reference is declared failed.

By comparing the frequencies of all assigned references to the frequencies of the internal oscillator on both timing units, it can be decided, in case an excessive frequency difference is detected, whether a timing reference or the internal oscillator of one of the timing units is off-frequency. In the latter case that unit is declared failed.

Reference signal switching

Two synchronization inputs of the same type (e.g. two external synchronization signals or two 2 Mbit/s tributaries or two STM-N tributary signals) can be set up to have a non-revertive 1+1 protection relation. Such a pair counts as a single synchronization reference for the internal clock or the external synchronization output. Manual and automatic switching are supported.

If two STM-N inputs form an MSP pair, they also count as one synchronization reference, following the MSP switch. If restoration by means of a reference signal switch is possible this method will prevail over protection through timing link switching.

Timing link switching for internal clock

A large number of possible input references or outputs from reference signal switch processes can be assigned to the timing link switch that selects the reference for the internal clock. Input references are either suitable synchronization inputs directly assigned to the timing link switch or the active reference from a reference signal switch pair or MSP pair.

Limitations in the assignment are:

- two external synchronization signals (or one reference signal switch pair)
- two timing signals derived from the line interfaces
- four from the tributary interfaces can be assigned at any time (where reference signal switching pairs count as two assignments, but MSP pairs count as one assignment).

Automatic and manual switching (forced, manual and lock-out) between the assigned references is possible. A wait-to-restore timer (0 to 60 minutes, programmable in 1 minute increments, default 5 minutes) is present to time re-qualification of a synchronization source after a failure. Can be reset manually.

Timing link switching for external synchronization output

A number of possible input references or outputs from reference signal switch processes can be assigned to the timing link switch that selects the reference for the external synchronization outputs.

The limitations are:

- at most two timing signals derived from the line interfaces and .
- at most four timing signals derived from the tributary interfaces can be assigned at any time (where reference signal switching pairs count as two assignments, but MSP pairs count as one assignment)

Automatic and manual switching (forced, manual and lock-out) between the assigned references is possible. A wait-to-restore timer (0 to 60 minutes, programmable in 1 minute increments, default 5 minutes) is present to time re-qualification of a synchronization source after a failure. Can be reset manually.

Support of ETSI SSM algorithm

Automatic protection switching between the references that are available to both timing link switches (for the internal oscillator and the external synchronization output) is supported. The switching algorithm is according to ETSI ETS 300417-6. The algorithm acts on those inputs which are assigned to participate and to which the customer can assign a certain priority. The SSM algorithm can be turned off. In that case only the assigned priorities are considered to determine the active reference.

It is possible to assign a certain SSM value (overriding the received SSM, if any) to any synchronization reference signal that can be made available to the SSM selection algorithm.

External timing reference outputs

“[Timing architecture](#)” (p. 4-59) shows two output connection points with signals that can be used to synchronize other equipment. The format is either 2048 kHz according to G.703-10 or 2048 kbit/s according to G.703-6, with or without a G.704 frame.

The desired format can be selected for both outputs or an output disabled altogether. The impedance of the interfaces (75 Ω coaxial or 120 Ω symmetrical) is determined at installation according to customer prescription (but equal for both interfaces). Even if only one timing unit is present in the system, two output signals are available.

In case the framed 2048 kbit/s format is selected for the external synchronization output signal, the user can force a DNU (Do Not Use for synchronization) message to be transmitted in the Sa -bit channel selected for SSMs.

Timing clock conversion function (for Japanese market)

In Alcatel-Lucent 1663 ADMu systems there are 2 station clock outputs at 2048 kHz, while Japan market requires different station clock interfaces: 6312 kHz for NE output.

The so-called MIOR-J unit converts two independent 2048 kHz signals coming from backplane to two independent 6312 kHz signals towards outside. The 2048 kHz signals are system station clock outputs.

DNU (Do Not Use)

In case the framed 2048 kbit/s format is selected for the external synchronization output signal, a DNU (Do Not Use for synchronization) message can be transmitted in the Sa bit channel selected for SSMs (Synchronization Status Message).

Automatic squelching of the external synchronization output (2 Mbit/s or 2 MHz)

The external synchronization output(s) will automatically be squelched as soon as its/their associated Quality Level (QL) drops below a certain threshold, which can be set by the customer. Squelching is implemented by turning the 2048 kHz or unframed 2048 kbit/s signal off. For framed 2048 kbit/s the squelching method is user selectable between AIS substitution or forwarding of the DNU message.

In case a framed 2048 kbit/s format is selected as external synchronization output signal, the customer can select the squelching method to be substitution of AIS or insertion of a DNU message in the applicable Sa-bit channel.

External timing interfaces

The external timing interfaces are located on the MIO-R unit.

There are two types of MIO-R units:

- A unit supporting 2 Mbit/s (framed and unframed) and 2 MHz timing inputs / outputs
- A unit supporting 64 kHz inputs / 6 MHz outputs (called MIOR-J).

Each one of these units supports two inputs and two outputs. Only one of these units can be equipped in a system. For further details refer to [“External timing reference inputs” \(p. 4-59\)](#) and [“External timing reference outputs” \(p. 4-61\)](#).

64 kHz to 2048 kHz conversion (via the MIOR-J unit)

The MIOR-J unit converts two independent 64 kHz signals coming from outside to two independent 2048 kHz signals towards backplane. The 110 ohm 64 kHz signals, which serve as system station clock inputs, can be either (64 kHz + 8 kHz) or (64 kHz + 8 kHz + 400 Hz). The conversion is done by means of transformer, CPLD, 2048 kHz PLLs. The 2048 kHz signals are then sent to core units which can be used for system timing source.

The signal status is monitored by CPLD. Once Loss of Signal (LOS) happens on 64 kHz, the related 2048 kHz output will be disabled (high impedance) and LOS reported through I2C bus; once Loss of Lock (LOL) happens in the conversion process, the related 2048 kHz output will not be disabled as the Core unit(s) can handle it: either the signal still can be accepted and therefore used or if not, system raises certain alarm, the LOL will be reported through I2C bus. 4.2

2048 kHz to 6312 kHz conversion (via the MIOR-J unit)

The MIOR-J unit converts two independent 2048 kHz signals coming from backplane to two independent 6312 kHz signals towards outside. The 2048 kHz signals are system station clock outputs. The conversion is done by means of CPLD, 6312 kHz PLLs and transformers. The 75 ohm 6312 kHz signals, can be used to synchronize other Network Elements. The signal status is monitored by CPLD. Once Loss of Signal (LOS) happens on 2048 kHz, the related 6312 kHz output will be disabled (high impedance) and LOS reported. Once Loss of Lock (LOL) happens in the conversion process, the related 6312 kHz output will be disabled (high impedance) and LOL reported through.

PLL

The external timing reference outputs are driven by two PLLs (phase lock loops), which are shown in the figure Timing architecture:

- the main PLL; the central clock driving six external timing outputs
- the External PLL, driving two external timing output ports.

The signal driving the individual PLLs can be selected as follows:

- for the MAIN PLL: out of either the sync. signal provided by the other (protect) SI-16 Core Unit or SI-64 Core Unit or out of the reference signal selected by the reference selector shown to its left.
- for the EXT. PLL: out of either the sync. signal provided by the MAIN PLL or out of the reference signal selected by the reference selector shown to its left.

Select timing reference

Hence it is possible to select individual timing references for the outgoing station clock signals and for the internal reference clock signals. Reference selections are software selectable by the user.

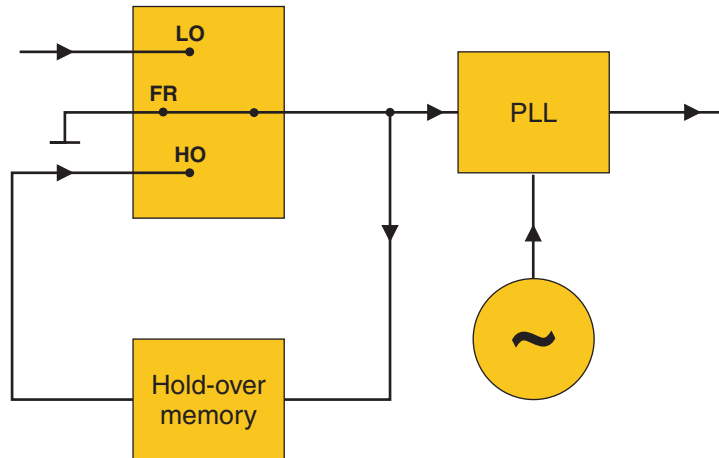
Timing modes

As shown in next figure, the system can be provisioned for the following synchronization conditions / modes:

- *free running* from an internal oscillator (FR)
- *internal timing* from an incoming line or tributary signal

- *external timing*, timed from an external 2 MHz or 2 Mbit/s clock signal
- *hold-over mode (HO)*.

The figure below illustrates the operation when the free running mode is selected.



The user can select the system to function in any one of the three sync. modes specified above. This selection can be done by software (user input) or be fully automatically. If set to automatic, the system will automatically switch to hold-over mode if the input timing reference signal fails.

Free Running operation (FR)

The Alcatel-Lucent 1663 ADMu is designed to operate without any external synchronization reference in the free running mode. In the free running mode (switch set to FR), the SI-16 or SI-64 Core Unit derives timing from an internal station equipment clock (SEC) oscillator. The internal SEC oscillator's long-term accuracy is higher than 4.6 ppm. The SI-16 or SI-64 Core Unit generates and distributes the timing signals to the interface circuit packs.

Locked mode (LO)

Locked to selected reference (switch to LO).

Locked-to-line or tributary timing mode

In the locked-to-line or tributary timing mode (switch set to LO), the system derives timing from the incoming line or tributary signals. In turn, the SI-16 or SI-64 Core Unit generates timing signals and distributes them to the transmission circuit packs.

The signal references are continuously monitored for error-free operation. If the working line or tributary reference in a protected system becomes corrupted, the SI-16 or SI-64 timing circuit selects the protection line/tributary reference without causing service

degradation. If both references fail, the PLL circuit holds the on-board oscillator frequency at the last good reference sample while the references are repaired, (hold-over mode: switch set to HO automatically!).

This mechanism is provided so that operation with or without an external clock can be easily accommodated. In both timing modes, the SI-16 or SI-64 Core Unit can still provide two synchronization outputs to other central office equipment.

Locked to external timing reference operation

Locked to External timing reference Operation (with hold-over). In the external timing mode (switch set to LO), each SI-16 or SI-64 circuit pack accepts a 2 MHz or 2 Mbit/s synchronization reference signal from a 4.6 ppm or better station clock. These references synchronize the local terminal.

Within the SI-16 or SI-64 circuit pack, a highly stable PLL circuit removes any transient impairments from the 2 MHz or 2 Mbit/s reference for improved jitter performance. If the external reference fails, the PLL circuit on the SI-16 or SI-64 circuit pack holds the on-board oscillator frequency at the last reference sample while the external clock signal is repaired (hold-over mode: switch set to HO automatically!).

Hold-over mode (HO)

As described above, the system provides a so-called hold-over mode to ensure that the timing of the system is as accurate as possible when all timing references fail. It therefore memorizes the most recently used timing frequency in a hold-over memory on-board the 2.5G or 10G 64 Core Units. The SI-16 or SI-64 timing circuit pack is equipped with an internal clock with Stratum-3 Hold-over Performance according to ITU-T recommendation G.813 option 1 with in addition a frequency stability of 0.37 ppm over the first 24 hours of hold-over.

Back up hold-over

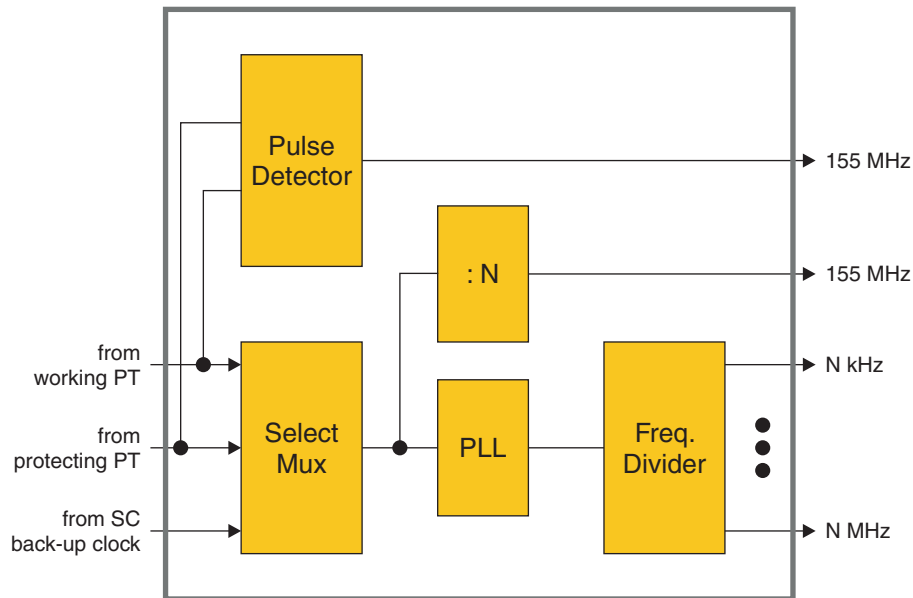
In locked mode of operation, if no acceptable references are available, the internal clock will switch to the back-up hold-over state.

Back-up timing

To keep the software on all circuit packs alive when there is no synchronization signal from one or both 2.5G or 10G 64 Core Units, the System Controller Unit (SC) distributes a back-up timing signal. This timing allows for the execution of circuit pack tests and equipment loop-backs. The SC timing signal is distributed to all slots of the system. The accuracy of the back-up timing signal is about 50 ppm. When the back-up clock is selected, the circuit packs switch all transmission ports to SQUELCH mode.

Clock/synchronous distribution on circuit packs

The following figure gives an overview of timing at circuit-pack level.



One of the following three timing sources is selected:

- Reference signal selected by the working SI-16 or SI-64 circuit pack
- Reference signal selected by the protecting SI-16 or SI-64 circuit pack
- Back-up clock signal derived from the SC.

All timing signals are checked for availability and if a signal fails, then the message “Timing Fail” (including the missing source) is sent to the on-board Function Controller (FC). Then the FC immediately initiates the command to switch to the system's backup timing and all transmission ports are switched off (squench mode). Switching between the input references is non-revertive. A PLL on the circuit pack itself locks to the selected timing source and supplies the circuit pack with all necessary frequencies.

System control and management

Optical Management System OMS

The System Controller (SC) controls and provisions all circuit packs via a local LAN bus. The SC also provides the external operations interfaces for office alarms, miscellaneous discrete inputs and outputs and connections to the overhead channels.

The SC also facilitates first line maintenance by several LEDs and buttons on the front panel. General status and alarm information is displayed. Various controls and an F interface connector, for a local maintenance PC (ITM-CIT), are also located on this panel. The SC communicates with the centralized management system (OMS). Communication is established via so-called Data Communication Channels ((DCC= D1-3/D4-12 bytes), within the STM-N section overhead signals or via one of the Q-interfaces of the system. Information destined for the local system is routed to the System Controller, while other information is routed from the node via the appropriate embedded channels of the STM-N line or tributary signals. The Optical Management System OMS manages the system at the Network Level. The ITM-Craft interface terminal (ITM-CIT) can be used for managing single network elements and for maintenance.

The OMS manages the Alcatel-Lucent 1663 ADMu at element level and network level. The ITM-Craft Interface Terminal (ITM-CIT) can be used for managing small networks and for maintenance.

Software download

It is possible to download software from OMS to the System Controller to replace or add applications in the local database. During download the old software is stored in the memory as a backup. This means that after download, two complete software versions are available on the SC. The Local Craft Terminal (ITM-CIT) can also download the software.

Management features

The most important management features are:

- Optical Management System OMS
- OSI stack with IS-IS level 2 routing and a flexible NSAP address
- D4-D12 and D1-D3 support on optical STM-n interfaces
- 8 × miscellaneous discrete input (MDI) and 4 × miscellaneous discrete output (MDO)
- Remote login on the ITM-CIT from the Alcatel-Lucent 1663 ADMu to the *Metropolis*[®] ADM (Compact shelf), the *WaveStar*[®] ADM 16/1, the *WaveStar*[®] TM 1 and the *Metropolis*[®] AM / *Metropolis*[®] AMS.

Power

The system power supply is able to provide 650 W power in the range -40 V to -72 V DC, respectively -48 V to -60 V DC nominal.

Power Unit (PU)

The Power Unit performs a limited part of the filtering of electrical noise (in both directions). The major part of the filtering is done on the circuit pack itself. Protection against transients on the power feeders is located in the Power Unit. Each power filter acts on one of the incoming supplies (A or B).

If a Power Unit is not present, the corresponding power feed is not available to the system. Protection against reverse polarity will be provided by the individual circuit pack (OR-ing diodes). The PU contains auxiliary voltage sources that are used in the system. The unit has a red fault LED and a green power LED. No single point of failure must be present in the system, in the case of a duplicated power feed (except for the backplane).

Power distribution

Optionally the power supply of the rack can be provided by a Power Distribution Panel (PDP) at the top of the rack.

Power indicators

LED indicators

- Green: feeder power
- Red: central auxiliary supply failure.

Cooling

Cooling is provided by a plug-in fan unit placed on the middle of the sub-rack. Fans pull air through a filter below the circuit packs and force it through the sub-rack from bottom to top. An air flow baffle with air filter is integrated in the lower part of the subrack to prevent the intake of particles or exhaust air from below.

Fan unit

Two fan units each of which contains two fans are integrated in those subracks for which the dissipation under fully loaded conditions could otherwise cause the thermal limits of the components to be exceeded. Proper cooling is still ensured if one of the four fans is failing. A subrack containing two fan units meets the acoustic noise requirements in P.301.1.

One fan unit is considered as mandatory unit for the 2.5G and the 10G application; therefore space for the fans is reserved in the middle and bottom of the subrack. If needed, a second fan can optionally be ordered.

Fan controller

The fan unit includes two fans and a microcontroller that senses air flow, air temperature and fan faults. The microcontroller adjusts the speed of the fans to compensate for the failure of a fan or to conserve power when full air flow is not needed. It also reports the status of the fan unit to the shelf controller.

Proper cooling is still ensured if one of the four fans is failing. Failed fans cannot be replaced individually. A complete fan unit must be replaced. This is achieved without interruption of service.

Air filter

The subrack also contain an air filter which can be easily replaced or cleaned (both types are available). The air filter, located below the subrack, must be replaced or cleaned under regular conditions (e.g. with Eurovent EU6 filters used in the HVAC) once every 3 months to ensure the proper cooling, as described in the *User Operations Guide (UOG)* chapter “Periodic activities” or as part of a trouble clearing procedure as described in the *Alarm Messages And Trouble Clearing Guide (AMTCG)*.

Important! The fan unit must be installed and operating in a shelf before any circuit packs are installed.

5 Operations, administration, maintenance and provisioning

Overview

Purpose

This chapter describes hardware and software interfaces used for administration, maintenance, and provisioning activities. It also describes the system management function for administrating the Alcatel-Lucent 1663 Add Drop Multiplexer-universal (Alcatel-Lucent 1663 ADMu) and the maintenance and provisioning features available in Alcatel-Lucent 1663 ADMu.

The Element and Network Management aspects of the Alcatel-Lucent 1663 ADMu are based on the SDH concepts as laid down in ITU-T recommendations, for instance G.784.

Local operations facilities are based on long-term experience and several commonly applied operations and alarms procedures.

The Alcatel-Lucent 1663 ADMu also has advanced diagnostic features that can be used to check equipment performance and for detailed location of faults.

Contents

Operations	5-3
Visible alarm indicators	5-4
ITM-CIT	5-7
Operations interfaces	5-9
Administration	5-11
Security	5-12
NE administration concept	5-14
Maintenance	5-15
Maintenance signals	5-16
Loopbacks and tests	5-20

Protection and redundancy	5-24
Performance monitoring	5-26
Reports	5-29
Orderwire	5-32
Provisioning	5-33
Introduction	5-34

Operations

Overview

Purpose

This section describes the hardware and software interfaces used for administration, maintenance, and provisioning activities. These include

- Visible and audible indicators
- Graphical User Interface (GUI) on the ITM Craft Interface Terminal (ITM-CIT)
- Operations interfaces

Note that administration, maintenance, and provisioning activities via *Navis*[®] Optical Element Management System (EMS) are described in the separate *Navis*[®] Optical EMS documentation set.

Visible and audible indicators

Visible and audible indicators notify you of maintenance conditions such as faults and alarms.

Graphical user interface

The GUI on the ITM-CIT retrieves detailed information about local and remote network elements. The GUI is also used to provision local and remote Alcatel-Lucent 1663 ADMu circuit packs and the switching matrix.

Operations system interfaces

Operations interfaces include the DCC interfaces on the OC-M/STM-N port units and the IAO LAN (intra-office LAN) interface. Both the DCC interface and the IAO LAN interface can receive commands from operations systems (network element management systems) or from a remote ITM-CIT.

Contents

Visible alarm indicators	5-4
ITM-CIT	5-7
Operations interfaces	5-9

Visible alarm indicators

This section describes the visible indicators of the Alcatel-Lucent 1663 ADMu network element that are located on the

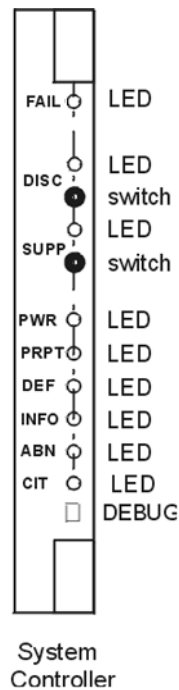
- User panel

The user panel is the primary source of shelf-level visible alarm indicators.

- Circuit pack faceplates

User panel: Controls and indicators

The User Panel of the Alcatel-Lucent 1663 ADMu is integrated in the faceplate of the System Controller (SC) circuit pack, as shown below. Lightguides are used to make the alarm and status indicators on the SC visible when the front door of the subrack is closed. The user panel provides system-level information.



Indicators

The user panel provides the following indicators:

PWR (Green)	indicates that voltage is present on at least one of the -48 V secondary power-distribution feeds, or that there is central auxiliary voltage inside the system.
-------------	--

PRPT (Red)	The <i>red</i> PROMPT LED indicates a transmission-affecting malfunction.
DEF (Red)	The <i>red</i> DEFERRED LED indicates a malfunction that does not affect transmission-affecting malfunction
INFO (Yellow)	indicates a failure that is not located within the terminal. If only the INFO indicator is lit, no immediate maintenance action is required. The user can provision the alarm severities (PROMPT, DEFERRED and INFO) of the fault messages.
ABN (Yellow)	indicates the existence of abnormal conditions in the network element, for example a protection lock-out, a forced switch, a manual switch, a protection line in use, an alarm disconnected, or a failed installation self-test.
SUPP (Yellow)	indicates that the SUPPRESS key has been activated while an active office alarm condition exists.
DISC (Yellow)	indicates that the DISC (disconnect) key has been activated, which means that office alarms are disconnected.
CIT (Yellow)	indicates when the ITM-CIT must be used to obtain more detailed information about system status.

Controls and connectors

Two manual controls (switches) and one connector are mounted on the SC faceplate. The functions are as follows:

- **SUPP SWITCH:** An alarm that is shown on the user panel can be suppressed by pressing the SUPPRESS SWITCH push-button, which will light up the SUPPRESS LED. If another alarm of the same class occurs, it will now be noticed.
- **DISC SWITCH:** Pressing the DISC SWITCH push-button inhibits the activation of disconnectable office alarms and lights up the DISC LED.

Circuit pack indicators

To supplement the user panel's system-level view, each circuit pack has a red FAIL LED on its faceplate (at the top of the faceplate).

- During normal fault-free operation, the LED is not lit.
- A continuously lit FAIL LED means that the Alcatel-Lucent 1663 ADMu has isolated a failure to this circuit pack, or that the circuit pack has been inserted in a slot that cannot support or is not configured to support this type of pack.

-
- A 1 Hz flashing FAIL LED shows the following:
 - a flashing FAIL LED on an interface circuit pack indicates that an incoming signal to that circuit pack has failed
 - a flashing FAIL LED on the STM-16 core unit or STM-64 core unit indicates an external timing reference failure. The green LED indicates the correct operation of the timing and cross connect functions of the core unit.
 - a flashing FAIL LED on the SC indicates loss of communication with the management system.
 - a rapidly flashing FAIL LED on a circuit pack indicates that the primary boot code (a piece of software located in the nonvolatile memory of each circuit pack) is automatically upgraded by the system. The primary boot upgrade happens during upgrades but also if a pack with an older primary boot version (i.e. from spare stock) is inserted to the system.

Important! In case of a primary boot upgrade, it is not allowed to plug-out a pack.

ITM-CIT

Alcatel-Lucent 1663 ADMu is shipped with software for a *Windows*[®] 2000, *Windows*[®] XP or *Windows*[®] Vista-based GUI that runs on a customer-furnished desktop or laptop computer. The GUI provides

- Control of operations, administration, maintenance and provisioning activities
- Security features to prevent unauthorized access

Definition

ITM CIT is a PC-based GUI software handling the Alcatel-Lucent 1663 ADMu network elements one-to-one. It provides pull-down menus and extensive, context-sensitive online help. It offers a unified set of features for provisioning, testing, and reporting. The ITM CIT is necessary to install and accept the system.

PC requirements

For the ITM-CIT a personal computer is necessary which fulfills the following minimum requirements:

- *Pentium*[®] processor with 450 MHz or higher
- 128 MB RAM or higher
- Keyboard
- Mouse
- 300 MB of free hard-disk drive space
- CD-ROM drive
- SVGA monitor set to 1024x768 resolution or greater, 16 million colors recommended
- RS-232 communication port (serial asynchronous port)
- *Windows XP*[®], *Windows*[®] 2000 or *Windows*[®] Vista operating system
- ITM-CIT connector (F-interface) cable (one end RS-232 and the other end RJ-45 modular jack).

The performance can be enhanced by using a higher performance personal computer. Independent of the requirements listed above the minimum requirements of the operating system must be fulfilled.

ITM CIT access

Alcatel-Lucent 1663 ADMu supports local and remote access using an ITM CIT. Remote access uses the DCC (data communications channel) or an external WAN connected to a Alcatel-Lucent 1663 ADMu LAN port.

Security function

Alcatel-Lucent 1663 ADMu provides a security function to protect against unauthorized access to the ITM-CIT system functions (such as provisioning). Security is controlled through logins, passwords, and authorization levels for the system functions.

Maintenance and administrative activities

The ITM CIT provides detailed information and system control of the following specialized local/remote maintenance and administrative activities:

- provisioning
- cross-connection assignments
- protection switching
- displaying performance-monitoring data
- fault management (alarms lists, etc.)
- polling inventory data of the NE
- software download to the NE
- loopback operation and testing
- reporting.

Operations interfaces

Alcatel-Lucent 1663 ADMu supports the following operations interfaces

- Rack top alarm indicators
- Station alarm interface
- Miscellaneous discrete interfaces
- Network management interfaces
- Data communications channels (DCC).

These features enable maintenance tasks (i.e., replacement of circuit packs) to be performed without an ITM-CIT (Craft Interface Terminal) or external test equipment. The second maintenance tier uses the ITM-CIT to retrieve detailed reports about alarms and status, and about system configuration for local terminals.

Rack top alarm indicators

One red and one yellow indicator are present in top of the rack to signal a “prompt” or a “deferred” alarm respectively in one of the systems in the rack. The lamps are controlled from the “bay-top alarm outputs”.

Station alarm interface

The station alarm interface offers a number of hard contacts which can be used to extend the alarm signals from the Alcatel-Lucent 1663 ADMu system into the station alarm scheme. These contacts can be divided in four groups:

- Bay-top alarms (two outputs: prompt and deferred, not disconnectable)
- End-of-suite alarms (two outputs: prompt and deferred, disconnectable)
- Station alarms (two outputs: prompt and deferred, either disconnectable or non-disconnectable)
- Miscellaneous maintenance information (three outputs: suppressed alarms present, disconnect function activated and main-controller removed).

Programmable station alarm raise/clear delay

The delay between the generation of the station alarm cause and the start of the actual station-alarm and likewise the delay between the disappearing of the station-alarm cause and the clearing of the station-alarm is programmable. These two parameters are global for the system and can range between 0 and 60 seconds in 1 second increments.

Miscellaneous discrete interfaces

The miscellaneous discrete interface allows an operations system to control and monitor equipment that is co-located with the Alcatel-Lucent 1663 ADMu system through a series of input (MDI) and output (MDO) contact closures.

Eight miscellaneous-discrete inputs can monitor such conditions as open doors, high temperature or high humidity, and four miscellaneous discrete control output labels can be associated to alarms.

The status of the miscellaneous discrete environmental inputs is reported to the network element management system. It is possible to activate these miscellaneous-discrete control outputs from the network element management system when the system reports an alarm condition. Miscellaneous-discretes are provided to the user through a connector at the MIO-L.

Network management interfaces

There are three network management interfaces:

- Q-LAN interfaces:

The Q-LAN interfaces enable network-oriented communication between the Alcatel-Lucent 1663 ADMu and the OMS. This is the standardized interface to Alcatel-Lucent management solutions.

10 Base-T interfaces for Q-LAN are used on the miscellaneous I/O area (MIO-L).

- CIT-F (Craft Interface Terminal) Interfaces:

There is an RJ-45 interface on the miscellaneous I/O area (MIO-L). The electrical characteristics of the CIT-F port comply with V.10.

- H-LAN (Hybrid LAN): 10/100 BASE-T LAN for future use.

Remote login/single ended operations/NSAP addresses (programmable)

The interfaces for the CIT-F (F-interface) provide the facility to log on to the local Alcatel-Lucent 1663 ADMu. Via the ITM-CIT a remote login is also possible to other Alcatel-Lucent 1663 ADMu systems or to a *Metropolis*[®] ADM (Compact shelf) etc.

The OMS can perform control and provisioning tasks remotely.

The NSAP address is programmable to enable compatibility with the NSAP addresses of existing products like ISM, SLM, PHASE, *WaveStar*[®] ADM 16/1 etc. This will allow DCC interworking with other kinds of equipment.

Data communications channel (DCC)

This network operations capability uses the data communication channel (DCC) bytes of the SDH section (MSOH, D4 ... D12 and RSOH, D1 ... D3) . Management interface dialogs and operations interface messages travel in these DCC bytes on each STM-N interface (N = 1, 4, 16, or 64).

The Alcatel-Lucent 1663 ADMu supports at most 128 tributary and line DCC channels simultaneously (counting RS-DCC and MS-DCC separately), while maintaining an acceptable throughput of management traffic.

Administration

Overview

Purpose

The system management function for the administration of Alcatel-Lucent 1663 ADMu is operator administrated.

Security

The Alcatel-Lucent 1663 ADMu provides for secure system access by means of a two-tier security mechanism.

Contents

Security	5-12
NE administration concept	5-14

Security

This section describes the various security features that the Alcatel-Lucent 1663 ADMu provides to monitor and control access to the system.

User login security

The Optical Management System OMS provide security protection against unauthorized access to the network element functions (for example provisioning). This feature controls access to the system per user and includes:

- Login ID and password assignment: The user has to enter a valid Login ID and password to access the system
- User authorization levels: Provides three levels of access on a per session basis:
 - Administrator: The Administrator is authorized to perform system control activities. These include starting and stopping management of the transmission network. Only this user can administer other users of the OMS application. In addition, backups can be created or restored by this user.
 - Operator: The Operator is authorized to perform all retrieval and operate commands that are not service-affected and do not change the system configuration
 - Supervisor: The Supervisor is authorized to perform all retrieval, provisioning and operate commands whether they are service affecting, with the exception of provisioning of security data and software downloads.

Login and password aging

The following aging processes provide additional means of monitoring and controlling access to the system:

- Login aging deletes individual logins if they remain unused for a pre-set number of days or on a particular date (for example, a visitor's login or a login for temporary access during installation)
- Password aging requires users to change passwords periodically.

User privilege codes

When a user is added to the NE, a separate user privilege code, which may include an authorization level, is assigned to that user for each of the functional categories, according to the type of work that the user does. The user privilege codes may be accompanied by an authorization level that is represented by a number between 1 and 5 (5 is the highest level of access). It is permissible to grant access to any combination of commands using a privilege code (except for full privileges, which are reserved for the two pre-installed superusers).

Functional categories

The functional categories for the user privilege codes may include

- Security (S)
- Maintenance (M)
- Performance monitoring (PM)
- Testing (T)
- Provisioning (P).

Authorization levels

Users can execute any commands at the authorization level of their functional categories, as well as all commands at lower levels. For example, a user with authorization level 4 in the maintenance category can also execute commands in levels 3, 2, and 1 in the maintenance category.

NE administration concept

Target Identifier (TID)

It is possible to enter strings to be stored in the Alcatel-Lucent 1663 ADMu denoting the target identifier (TID) of the NE.

Version recognition

The system provides automatic version recognition for all hardware and software installed on the system. The system can report the type, version and serial number of the circuit pack that is installed in each slot. Each circuit pack identification code is stored on the circuit pack itself and can be accessed by the system controller.

Inventory control

During normal operation, it is at any time possible to obtain (through the CIT or OMS) an inventory list with information on type, version and slot occupation of each system part (these include units, backplane, I/O modules and converter boxes). Also information regarding the current and fallback software can be obtained.

Each field-replaceable unit is labeled in such a way that information needed to install proper units in the proper slot is contained on that label. The label also contains a serial (production) number.

Autonomous indications and history logs

The system provides autonomous indications and history logs of successful and unsuccessful logins, as well as intrusion attempts for security audits.

Software upgrades

The Alcatel-Lucent 1663 ADMu can easily be upgraded and reconfigured to support new services or to incorporate feature enhancements by downloading a new software generic via the appropriate (F/Q) operations interface. Service is not normally interrupted by downloading and replacing software generics

The Alcatel-Lucent 1663 ADMu stores two images of the software, the active image and the fall-back image. These images may be different. In an upgrade procedure, the new software release is down-loaded in the fall-back memory area to be activated by a special command.

Maintenance

Overview

Purpose

This section introduces the maintenance features available in the Alcatel-Lucent 1663 ADMu.

Definition

Maintenance is the system's capability to continuously monitor its equipment and the signals that it carries to notify the user of any current or potential problems. This enables the user to take appropriate proactive (preventive) or reactive (corrective) action.

The maintenance applications are based on ITU-T recommendations M.2101.1, M.2110 and M.2120 and are used for “Bringing Into Service (BIS)” and other initial testing procedures and localization/monitoring of under-performing parts of an end-to-end path.

Contents

Maintenance signals	5-16
Loopbacks and tests	5-20
Protection and redundancy	5-24
Performance monitoring	5-26
Reports	5-29
Orderwire	5-32

Maintenance signals

This section describes the maintenance signals available in Alcatel-Lucent 1663 ADMu.

Definition

The system maintenance signals notify downstream equipment that a failure has been detected and alarmed by upstream equipment and notify upstream equipment to initiate trunk conditioning due to a failure that has been detected downstream. These alarm signals include Alarm Indication Signals (AIS), Far End Receive Failure ((MS-)RDI) signals, and UNEQuipped signals (UNEQ).

Alarms and status reports

The system provides a report that lists all active alarm and status conditions. This report is made available to the network management system on demand. The identity of the condition is included in the report along with a time stamp that indicate when the condition was detected. There is an option to display specified subsets of alarm conditions.

Enable/disable autonomous alarm forwarding to the OMS

The Alcatel-Lucent 1663 ADMu provides the option to inhibit, temporarily, the forwarding of autonomously generated alarms from the NE to the OMS. To restart the or to restart again the autonomous forwarding of alarms an enable command has to be issued by the user.

Programmable severity per fault-type per location instance

For each fault-type it is possible to provision the associated severity (values: “prompt”, “deferred” or “info”), individually for each location (e.g. port, TTP, CTP or unit) capable of generating this fault-type. It is possible to change the severity associated with a certain fault-type globally for all location instances with a single command. The maximum amount of severity instances is 1000.

Element management and remote operations interfaces

Before it can begin providing services, the Alcatel-Lucent 1663 ADMu requires a large amount of provisioning data. This data will be loaded upon installation in non-volatile memory but needs a reliable backup to support repair and maintenance procedures. It is therefore assumed that the equipment is connected to a back-up database either via a local port or via the embedded operations channels.

The Alcatel-Lucent 1663 ADMu can be connected to a co-located OMS via the Q-LAN. At station level and besides local or remote network-management facilities, a Craft Interface Terminal (ITM-CIT) can be used to perform local management functions.

Fault detection, isolation and reporting

When a fault is detected, the Alcatel-Lucent 1663 ADMu employs an automatic diagnostics to isolate the failed circuit pack or signal. Failures are reported to local maintenance personnel and operations systems so that repair decisions can be made. If desired, operations system personnel and local maintenance personnel can use the ITM-CIT to gain more detailed information on the fault condition.

Maintenance history report

A maintenance-history report past alarms, status, protection switching, and craft or management events is provided and this report is made available to the network management system on demand. This summary contains a time stamps that indicates when each condition was detected and cleared, or when a command was entered.

The Alcatel-Lucent 1663 ADMu system also automatically and autonomously reports all detected alarm and status conditions through the office alarm relays, the user panel, equipment LEDs, and message based operations systems.

SDH non-intrusive monitor failure reports

The VC-4(-4c/16c), VC-3, VC-12 and VC-11 (in TU-12) Non-intrusive Monitors (NIM's) can be in Monitored (MON) or Non-Monitored (NMON) mode. If a NIM is part of an SNC/N scheme it is put in MON mode. If a NIM is not part of an SNC/N scheme it is normally NMON, but it can be put in MON mode, provided the necessary configuration data is provided.

In MON mode the cTIM, cUNEQ, and cDEG alarms are forwarded to the OMS and CIT and optionally cRDI and cSSF.

Performance LAN interface

For each LAN interface the performance of the incoming and outgoing LAN streams (3 × 8 counters) as well as the incoming and outgoing WAN streams (up to 3 × 8) counters are monitored for (refer to [“Ethernet performance monitoring counters”](#) (p. 2-133)):

- incoming packets dropped due to error
- bytes sent
- bytes received.

LAN related alarms

The Alcatel-Lucent 1663 ADMu reports LAN-related data and switching alarms. Loss of Signal (for ports in monitored state) or unexpected presence of a signal (for ports in non-monitored state) at the LAN interfaces are alarmed per LAN interface.

Quality of service application

The Quality of Service (QoS) application is based on ITU-T Recommendations G.826 and G.827. In contrast to the maintenance application, the QoS application requires a performance assessment of the bidirectional path over longer periods.

To support the QoS application in the network element, the Alcatel-Lucent 1663 ADMu logs the current and most recent 24 hour periods of the UAP, UAP-count (number of unavailable periods) and UAS for the bidirectional connection, whereby the bidirectional connection is considered unavailable as soon as one of the directions is unavailable.

In addition, for each monitoring point the BBE, ES and SES counts are reported for directions individually. So there are nine parameters altogether per bidirectional monitoring point.

Note that all six BBE, ES and SES counters are inhibited as soon as the bidirectional connection is unavailable. This is why the bidirectional counts may differ from the unidirectional counts, even if they are for the same path and the same monitoring interval.

Bidirectional performance monitoring comes in two flavors:

- in “end-points” or TTPs
- in “mid-points” or CTPs

The following monitoring points in the Alcatel-Lucent 1663 ADMu support bidirectional PM:

- VC-12 TTPs, VC-3 TTPs and VC-4 TTPs and
- VC-12 CTPs, VC-3 CTPs, VC-4 CTPs, VC-4-4c CTPs and VC-4-16c CTPs.

Bidirectional performance reports in end-points are based on the near-end and far-end (REI, RDI) information that is received on the incoming signal. Bidirectional performance reports in midpoints are based on the far-end information that is contained in the incoming signal in both directions of transmission.

Severity settings for alarms on each termination-point instance

Since different clients pay for different levels of Quality of Service (QoS), the priority and the time to repair can differ for different paths. By setting a higher severity for the alarms on paths that require a high QoS, than for the paths that require a low QoS, the QoS performance can be improved. In the subsection on Performance Monitoring the concept of quality of service is explained in more detail.

Support for a multiplex-section trace identifier (JO byte)

The user can provide a multiplex section trace identifier on all STM-N (N = 1, 4, 16, 64) outputs of the Alcatel-Lucent 1663 ADMu via the OMS or ITM-CIT. In the receive direction an expected value for this trace identifier can be provided. In the case of a mismatch a TIM (Trace Identifier Mismatch) alarm is generated and consequent actions are invoked. The TIM detection mechanism can be disabled per interface.

Recovery from database failures

If the Alcatel-Lucent 1663 ADMu detects that its MIB is empty or corrupted, a mechanism is in place to automatically start a MIB download from the OMS.

If the serial number in the NE database (located on the controller unit) does not match the (unique) serial number of the NE on the backplane, the NE will inform the operator. This allows the operator to make a choice on either to accept the database or not.

Loopbacks and tests

This section describes the loopbacks and tests that the Alcatel-Lucent 1663 ADMu performs.

Loopback definition

A loopback is a troubleshooting test in which a signal is transmitted through a port unit to a set destination and then returned to the originating port unit. The transmitted and received signals are measured and evaluated by the user to ensure that the received signal is accurate and complete when compared to the originating signal.

Loopbacks can be distinguished in loop-backs for incoming and outgoing signals.

These loopbacks can be set-up per input from the ITM-CIT or OMS.

Loopbacks on incoming STM-64 signals

Within the Alcatel-Lucent 1663 ADMu temporary loopbacks can be set on the corresponding line input. The looped back input is routed directly to its corresponding output, passing through as few system parts as possible and leaving the signal format intact.

The loopbacks are “non-transparent”, i.e. the signal is replaced by AU-AIS signal indication downstream from the loopback point.

Simultaneous loopback and 1+1 MSP on the same tributary port is permitted.

Loopbacks on incoming STM-16 signals

Within the Alcatel-Lucent 1663 ADMu temporary loopbacks can be set on an STM-16 system input, the incoming signal is looped back to the corresponding system output. The complete STM-16 is looped back, while the forwarded signal is replaced by AU-AIS.

The loopbacks are “non-transparent”, i.e. the signal is replaced by AU-AIS signal indication downstream from the loopback point.

Simultaneous loopback and 1+1 MSP on the same tributary port is permitted.

Important! This feature is not supported by the STM-16 tributary units LKA22 and LKA23.

Loopbacks on incoming E1, E3, DS1, DS3, and STM-1e signals

Within the Alcatel-Lucent 1663 ADMu temporary loopbacks can be set on the corresponding tributary input or line input. The looped back input is routed directly to its corresponding output, passing through as few system parts as possible and leaving the signal format intact.

The loopbacks are “non-transparent”, i.e. the signal is replaced by AIS signal indication downstream from the loopback point.

Specifically for E1 or DS1 loopbacks, there is a limitation that at most one incoming loopback per E1 unit can be active at any time.

Loopbacks on incoming STM-1o signals

Within the Alcatel-Lucent 1663 ADMu temporary loopbacks can be set on the STM-1o tributary unit. The incoming signal is looped back to the corresponding system output.

The loopbacks are “non-transparent”, i.e. the signal is replaced by AIS signal indication downstream from the loopback point.

Note that simultaneous loopback and 1+1 MSP on the same tributary port is permitted

For STM-1o TPU (AU-3/TU-3 or AU-4 mode, no MSP nor DCC, no loopback) units only the contained VC-4 is transparently looped back; the STM-1 overhead as well as the synchronization may change, depending on the current settings.

For STM-1o TPU (AU-3/TU-3 or AU-4 mode, MSP, DCC and loopback) units the complete STM-1 is looped back. In all cases the forwarded signal is replaced by AIS.

Loopbacks on incoming STM-4 signals

Within the Alcatel-Lucent 1663 ADMu temporary loopbacks can be set on an STM-4 system input, i.e. on the STM-4 tributary unit. The incoming signal is looped back to the corresponding system output. The complete STM-4 is looped back, while the forwarded signal is replaced by AIS.

The loopbacks are “non-transparent”, i.e. the signal is replaced by AIS signal indication downstream from the loopback point.

Note that simultaneous loopback and 1+1 MSP on the same tributary port is permitted

Loopbacks on outgoing STM-64 signals

Within the Alcatel-Lucent 1663 ADMu temporary loopbacks can be set on the corresponding tributary output or line output. The outgoing signal is looped back to its corresponding (backplane) input, passing through as many system parts as possible.

The loopbacks are “non-transparent”, i.e. the signal is replaced by MS-AIS signal downstream from the loopback point.

Important! This feature is only supported by LKA49, LKA29, LKA28, LKA281, LKA350, LKA60, and LKA62.

Loopbacks on outgoing STM-16 signals

Within the Alcatel-Lucent 1663 ADMu temporary loopbacks can be set on STM-16 system output, the outgoing signal is looped back at the VC-4 level to the corresponding (backplane) inputs. The loopback is "" non-transparent"" : The forwarded signal is replaced by MS-AIS.

Simultaneous loopback and 1+1 MSP on the same tributary port is permitted.

Important! This feature is not supported by the STM-16 trib units LKA22 and LKA23.

Loopbacks on outgoing E1, E3, DS1, DS3 and STM-1e signals

Within the Alcatel-Lucent 1663 ADMu temporary loopbacks can be set on the corresponding tributary output or line output. The outgoing signal is looped back to its corresponding (backplane) input, passing through as many system parts as possible.

The loopbacks are “non-transparent”, i.e. the signal is replaced by AIS signal downstream from the loopback point.

Specifically for E1 loopbacks, there is a limitation that at most one outgoing loopback per E1 unit can be active at any time.

Loopbacks on outgoing STM-1 optical signals

Within the Alcatel-Lucent 1663 ADMu temporary loopbacks can be set on STM-1 system output, i.e. on the STM-1o tributary unit. The outgoing signal is looped back at the VC-4 level to the corresponding (backplane) input. The loopback is “non-transparent”, i.e. the forwarded signal is replaced by MS-AIS for STM-1o tributary unit.

For STM-1o TPU (AU-3/TU-3 or AU-4 mode, no MSP nor DCC, no loopback) the loopback is “non-transparent”, i.e. the forwarded signal is replaced by MS-AIS.

For STM-1o TPU (AU-3/TU-3 or AU-4 mode, MSP, DCC and loopback) the forwarded signal is squelched.

Simultaneous loopback and 1+1 MSP on the same tributary port is permitted.

Loopbacks on outgoing STM-4 optical signals

Within the Alcatel-Lucent 1663 ADMu temporary loopbacks can be set on STM-4 system output, i.e. on the STM-4 tributary unit the outgoing signal is looped back at the VC-4 level to the corresponding (backplane) inputs. The loopback is “non-transparent”; the forwarded signal is squelched.

Simultaneous loopback and 1+1 MSP on the same tributary port is permitted.

Software-initiated loopbacks

Alcatel-Lucent 1663 ADMu can perform software-initiated facility loopbacks within the port units (near-end or in-loopbacks and far-end or out-loopbacks), as well as software-initiated cross-connect loopbacks. Active loopbacks are indicated by the abnormal (ABN) LED on the user panel.

Local system test

The local system test and diagnostics are executed on demand from the CIT to verify correct operation of those parts of the system that can be covered by test signals. Additional diagnostic tests are performed for fault isolation.

LED test

An LED test can be performed on demand from a CIT to verify whether all LEDs on the system still function. This operation cannot be initiated from the OMS.

Self-diagnostics (in service)

The Alcatel-Lucent 1663 ADMu runs audits and diagnostics to monitor its health. These self-diagnostics do not have any effect on the performance of the system.

The system will automatically run diagnostic tests:

- Processor system:
 - Power-on tests: memory write/read tests (RAM), Checksum tests (ROM, FLASH). These tests are only performed when a unit is inserted in the system
 - Run time tests: non-volatile memory checksum tests, watchdog. These tests are performed continuously.
- Transmission system: such as parity checks at transmission devices (ASICs), data bus supervision, power supply supervision at plug-in units, internal synchronization supervision. These are monitored continuously.

Protection and redundancy

Overview

The following specifications apply to the Alcatel-Lucent 1663 ADMu with regard to protection and redundancy.

Equipment protection

1:N equipment protection on E1/DS1 (N = max. 4)

1+1 equipment protection on the E3/DS3 and STM-1e units.

1+1 equipment protection on the STM-16 and STM-64 core units

- Power
- Timing
- Cross-connection

Dual Node Interworking (DNI)

Dual Node Interworking (DNI) can be used:

- with drop and continue between LO-SNCP and MS-SPRing on two nodes
- with drop and continue between two MS-SPRings on two nodes
- with drop and continue between two MS-SPRings on four nodes (only for VC-4-4c and VC-4-16c)
- to support VC-4 concatenation.

MSP

STM-1, STM-4 and STM-16, and STM-64 optical interface circuit packs support 1+1 MSP according to G.841 annex B, G.841 Clause 7.1 and ETSI 300417-3-1.

MS-SPRing

MS-SPRing is used in two fiber ring add/drop applications.

Selective MS-SPRing in two fiber add/drop ring applications. The VC-4 (-4c,-16c)s in the ring can be protected by MS-SPRing algorithm according to G.841 and ETS 300417.

The customer has the option to determine for each VC-4(-4c,-16c) individually, whether it participates in the MS-SPRing scheme. If an individual VC-4 (-4c,-16c) does not participate then it can be either VC-4(-4c,-16c) SNC protected or not protected at all.

The protection scheme provides also “extra traffic” on STM-16 and STM-64 interfaces in the MS-SPRing configuration. Preemptible Protection Access (PPA) or extra traffic is a feature using the protection capacity of a MS-SPRing to carry some extra “low priority” traffic.

SNCP/N

SubNetwork Connection Protection (SNCP) on VC-12, VC-3, VC-4, VC-4-4c or VC-4-16c signal level according to G.841/Clause 8. The SNCP is based on non-intrusive monitoring of the sub-network connection (SNC/N).

SNCP protection switching can be configured revertive or non-revertive. When revertive switching is configured, a wait-to-restore time can be defined. The default configuration is non-revertive.

During the setup of non-revertive SNCP schemes, the user can assign which connection of the protection pair will become the working one.

Other specifications

The following specifications apply also to the Alcatel-Lucent 1663 ADMu:

- cascading of protection schemes in one network element
- maximum of 50 ms switching time for all protection mechanisms.
- programmable hold-off timers.

Performance monitoring

Performance Monitoring provides the user with the facility to systematically track the quality of a particular transport entity. This is done by means of continuous collection and analysis of the data derived from defined measurement points.

Basic measurement parameters

To support these applications the Alcatel-Lucent 1663 ADMu provides, for each performance-monitoring process, the current 15 minute and current 24 hour counts of the

- BBE (Background Block Errors)
- ES (Errored Seconds)
- SES (Severely Errored Seconds)
- UAS (UnAvailable Seconds) and
- UAP (UnAvailable Period).

Performance monitoring on the Gigabit Ethernet card

Ethernet performance monitoring in SDH network elements is kept as closely related to SDH performance monitoring as possible. This means that the concepts of binning and thresholding are completely reused. Refer to [“Ethernet performance monitoring counters” \(p. 2-133\)](#).

There are two levels of Ethernet performance monitoring possible:

- monitoring per port
- monitoring per port per traffic class. This option monitors all packets of all customers that belong to a specific traffic class

The following list is an overview of the Ethernet performance parameters related to the transmit direction. These parameters are presented in 15 minute and 24 hour reports. Thresholding is applicable for Ethernet parameter for:

- outgoing number of Mbytes (EONB)
- dropped frames - errors (EDFE)
- incoming number of Mbytes (EINB)

Enabling performance measurement points

Performance measurement points can be enabled via ITM-CIT or OMS. Refer to the *Alcatel-Lucent 1663 ADMu User Operations Guide*.

Monitoring points

For maintenance applications the Alcatel-Lucent 1663 ADMu supports the counting, threshold monitoring and logging of all the parameters described above for the incoming traffic direction (or “unidirectional near-end” performance monitoring).

Possible monitoring points are:

- VC-12, VC-3 and VC-4 Trail Terminations Points (TTPs)
- MS-1, MS-4, MS-16, RS-16, MS-64 and RS-64 termination points
- VC-12, VC-3, VC-4, VC-4-4c, VC-4-16c transit points or Connection Termination Points (CTPs).

Note that the unidirectional near-end performance monitoring indicates the performance of the incoming signal between the source of the signal trail and the monitoring point.

The BBE, ES, SES, UAS and UAP parameters are derived from the errors in the incoming signal and are based on the B1, B2, B3 or V5 (bit 1,2) parity information that is part of the RSOH, MSOH or VC-POH. Periods of unavailable time are, also based on local defects or defects in the incoming signal. For the duration of a period of unavailable time the BBE, ES and SES counters are inhibited.

Number of performance monitoring points

The Alcatel-Lucent 1663 ADMu can support 1200 monitoring points simultaneously. These points can be randomly selected from all the possible TTPs and CTPs that are indicated above, where the “unidirectional near-end” and “bidirectional” applications are each counted separately. Once a performance monitoring point is activated the full set of performance parameters is supported.

Threshold report and reset threshold report

In addition the recent history of these parameters remains stored in the network element, namely the 16 most recent complete 15 minute counts and the 1 most recent complete 24 hour count. For all current-interval counters, thresholds can be set that control the forwarding of Threshold Report (TR) and Reset Threshold Report (RTR) information to the management system.

A TR is generated at the moment that the current count in a register crosses the “set” threshold level for the first time since the last RTR. An RTR is generated at the end of the first interval in which the current count remains below the “clear” threshold. So the TRs and RTRs are generated in an alternate way.

In the period between a TR and an RTR the monitored part of the path is considered to be degraded, while it is considered normal in the period between an RTR and a TR. The “set” and “clear” thresholds can be assigned by the user via the ITM-CIT or the OMS.

Unavailable periods

In addition to the above parameters, the 6 most recent UAPs (Unavailable Periods) are also logged in the system. Each UAP is represented by two time stamps. The first indicates the moment of entry into “unavailable time” and the second indicates the moment of entry into subsequent “available time”.

Reports

This topic contains information about the

- active alarms and status reports
- performance monitoring reports
- history reports
- report on circuit pack, slot, port and switch states
- version/equipment list
- synchronization reports

Active alarms and status

The Alcatel-Lucent 1663 ADMu provides a report that shows all the active alarm and status conditions. The local alarms and the status report are displayed automatically on the local ITM-CIT immediately after login or directly on the network element management system. The report shows the following alarm levels:

- PROMPT
- DEFERRED
- INFO
- NO REPORT.

The source address description of the alarm condition (for example controller failure, high-speed signal failure) is included in the report along with the date and time when the alarm was detected. The report also shows whether the alarm condition affects operations. There is also the option of displaying specified subsets of alarm conditions by severity.

Provisionable reporting mode per fault-type per instance

For each fault-type the associated reporting mode (values: “reported” and “non-reported”) is provisionable, individually for each location (e.g. port, TTP, CTP or unit) capable of generating this fault-type. It is possible to change the reporting mode associated with a certain fault-type globally for all location instances with a single command. The maximum amount of “reported/non-reported” instances is 1000.

Date and time function

The Alcatel-Lucent 1663 ADMu has a real-time clock signal available that is synchronized with the management system. It can be set through the ITM-CIT or OMS. The clock is used to timestamp operations, maintenance and performance monitoring events.

Reporting of analog parameters

Upon user request, the ITM-CIT and OMS can report the values of the laser bias current and optical transmitted power (derived from the backface current) of any STM-16 or STM-64 unit in the system. In addition, the value of the optical received power is reported.

State

An on-demand report displays the equipment and the equipment status.

Equipment report indicates:

- equipment
- location
- circuit pack type
- version
- slot status (the slot status can be auto or equipped).

Equipment status indicates:

- equipment
- location
- circuit pack type
- port status (if applicable)
- service status (if applicable).

Support subsystem failure reports

Failure reports are generated for faults in support subsystems.

Possible support subsystems are:

- the power supply subsystem
- the timing subsystem
- the control subsystem and
- the temperature control subsystem.

Resolution of failure reports

The resolution of the failure reports is such that the operator can identify whether the fault is inside or outside the system. In both cases the operator will get enough information to identify the next step in the fault correction process, e.g. replace a unit, change a configuration value, reconnect a cable, start a cable fault location process.

Version/equipment list

The version/equipment list is an on-demand report that lists the circuit pack version and the software generic (if applicable). This report also lists all of the circuit packs that are present.

Synchronization report

The synchronization report is an on-demand report that lists the status of the system synchronization. This report lists all of the clock parameters that can be interrogated.

Fan unit alarm

One fan unit, a dust filter and a controlling unit, must be present in the subrack. A fan unit contains two fans for redundancy. The fan unit (fan tray) can be replaced from the subrack at full operational conditions, without any service interruption or cabling rearrangements. This is needed for exchanging a failed fan unit.

The rotation speed of the fan unit is controlled by the fan controlling unit. This is to lower the noise level under low temperature conditions. The System Control unit measures the temperature in the subrack. The dust filter can be replaced or cleaned (both types are available) easily by the craft. Under normal conditions, the maintenance interval is at least 3 months depending on environmental dust loads. Proper cooling is still ensured if one of the two fans is failing.

The fan unit has a red fault LED and reports:

- FAN unit failure (FANc EQF)
- FAN unit power failure (FANc PWR)

Orderwire

This section provides information about orderwire.

Description

Engineering Orderwire (EOW) provides voice or data communications for maintenance personnel to perform facility maintenance.

User channels

The section overhead of all SDH interfaces and the VC-3/VC-4 path overhead contain several bytes, for instance E and F bytes, that can be used to provide 64 kbit/s operations channels.

The Alcatel-Lucent 1663 ADMu provides for a maximum of four transparent 64 kbit/s channels that are selected from the following overhead bytes:

- E1 and E2 bytes: Channels from these bytes are mainly called Engineering Order Wire channels
- F1 bytes: Channels from these bytes are mainly called: user channels

Provisioning

Overview

Purpose

The Alcatel-Lucent 1663 ADMu system supports many system applications by its provisioning features. Provisioning parameters are set by software control. These parameters vary from one installation to the next, and a wide range of options or in-service changes can be provisioned locally or remotely with the aid of ITM-CIT or OMS.

Definition

Provisioning refers to assigning values to parameters used for specific functions by network elements. The values of the provisioned parameters determine many operating characteristics of a network element.

References

For more information about provisioning parameters and original values using the ITM-CIT, refer to the *Alcatel-Lucent 1663 Add-Drop Multiplexer-universal (1663 ADMu) User Operations Guide*.

Contents

Introduction	5-34
------------------------------	------

Introduction

Default provisioning

Installation provisioning is minimized with the aid of carefully chosen default values/parameters that are defined and maintained in the System Controller, and a simple command can be given to restore all default values. All provisioning data is stored in non-volatile memory to prevent data loss during power failures.

Circuit pack replacement provisioning

Replacement of a faulty circuit pack is simplified by the automatic provisioning of the original values. The System Controller maintains a provisioning map of the entire subrack, so when a transmission circuit pack or a core unit is replaced the System Controller automatically downloads values to the new circuit pack and initiates testing of the new circuit pack. If the System Controller itself is replaced, provisioning data from a backup database in OMS is automatically downloaded to the new System Controller's non-volatile memory if that memory is empty.

If the controller database is not empty but valid, the choice is offered between downloading and uploading.

Flexible circuit pack replacement

The system allows to exchange optical circuit packs and SFP's against others of the same bit rate, but with other wavelength or other haul without any need for changing the traffic related configuration data, e.g. protection groups, links, synch., ... provided the new pack supports the configuration (counter-example: exchanged pack had FEC, the new one not).

Provisioning reports

The provisioning report, which is made available to the OMS on demand, contains the current values of all provisionable parameters.

Provisionable SS bits

This feature allows users to provision the value of bits 5 and 6 (the SS bits) which are transmitted in the first H1 pointer byte of a VC signal. Present SONET (Telcordia) and SDH (ITU-T) standards require the receiving equipment to ignore these bits, but some older embedded SONET and SDH equipment may not ignore these bits.

In the source direction, provisioning the SS bits to "10" (overwrite disabled) allows interworking with older embedded SDH equipment.

In the source direction, provisioning the SS bits to "00" (overwrite enabled) allows interworking with older embedded SONET equipment.

In the sink direction, the incoming SS bits are ignored.

The SS bits are provisionable per port basis.

Provisioning of slots

Via the ITM-CIT or OMS, each slot or position in the system which can hold a plug-in unit, I/O module or converter box can be put in the UNASSIGNED, ASSIGNED or AUTO state. When a position in the system is put in the AUTO or ASSIGNED state, an identifier (type, version) of the entity to be inserted needs to be entered as well.

Depending on the configuration, the NE maintains a list of allowed (compatible) units for each position and keeps track of restrictions that may apply on the allowed states for some (mandatory) positions.

- if a slot or position is put in the UNASSIGNED state, a configuration alarm will be generated as soon as a unit is plugged in; no service is provided on the unit and no other alarms are generated
- if a slot or position is put in the ASSIGNED state a configuration alarm will be generated as soon as the unit is removed or an incompatible unit is inserted
- if a slot or position is put in the AUTO state, no configuration alarms will be generated as long as the position remains unequipped. As soon as the position is equipped the slot state will automatically change to ASSIGNED.

Provisioning port monitoring modes

Port monitoring modes represent the monitoring state for each port in the system at any given time. Each port monitoring mode has its own characteristics for signal failure alarms and PM (Performance Monitoring) data collection. Transitions between modes occur due to events such as applying a good signal or *WaveStar*[®] Management commands. The detection of a fault does not affect the state of the port monitoring mode.

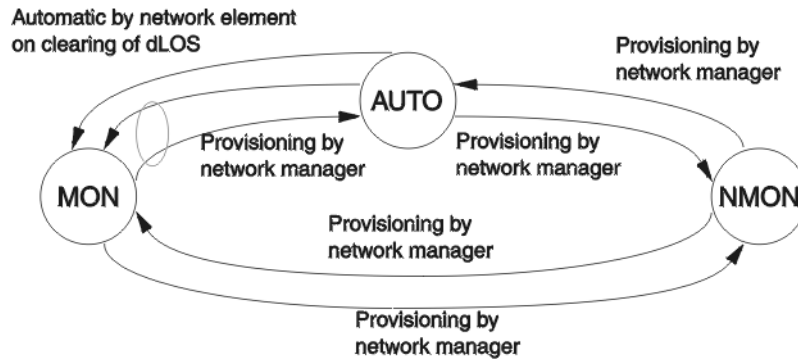
Port modes

The port modes in the Alcatel-Lucent 1663 ADMu are:

- **Automatic (AUTO):** AUTO refers to a port that is available for automatic provisioning. A port changes from the AUTO mode to the MON mode if a good signal is detected. The original port monitoring mode value is AUTO. When the port monitoring mode is AUTO, the port is not alarmed
- **Monitored (MON):** MON refers to a port that is fully monitored and alarmed
- **Not Monitored (NMON):** NMON refers to a port that is not monitored and does not change to the MON state even if a good signal is detected. Any port modes can be user-provisioned independently to the NMON state at any time, regardless of the auto-provisioned mode of the terminating interface slot. This port mode is used to suppress alarms.

A port that is not monitored will not raise any alarms. If there still is a signal present on the not monitored port, it is possible to receive a Not Expected Input Signal (NES) alarm. The alarm status of NES must then be provisioned Reported.

The figure below shows the possible port modes and the transitions between them.



Provisioning of Trail Termination Point modes

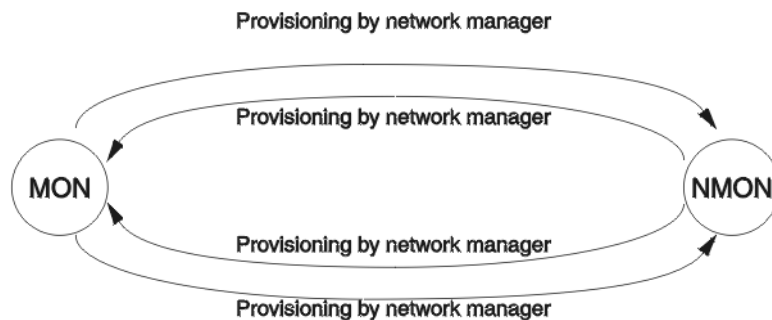
To prevent alarms from being raised and failures from being reported during trail provisioning, trail termination functions can enable and disable fault cause declarations.

Modes

The Trail Termination Point modes in the Alcatel-Lucent 1663 ADMu are:

- Monitored (MON): MON refers to a Trail Termination Point that is fully monitored and alarmed
- Not Monitored (NMON): NMON refers to a Trail Termination Point that is not monitored. This trail termination point mode is used to suppress alarms.

The figure below shows the possible trail termination point modes and the transitions between them.



IS-IS level 2

The Alcatel-Lucent 1663 ADMu can act as a network layer (OSI protocol stack layer 3) relay system in the Data Communication Network (DCN), which can be interconnected via LAN (including TMN Q-interfaces) and DCC channels. Management messages between the OMS and SDH network elements of any type in the managed network can be routed via one or more connections including Alcatel-Lucent 1663 ADMu.

The nodes in this management information network can be organized in two levels:

- on level 1, each node can route messages to another node in the same area
- on level 2, each gateway node of an area can route messages to another gateway node in the same DCN.

OSI-Layer three functionality via the Q-LAN is implemented according to ISO-IEC-8648 (General), ISO-IEC-8473 (CLNP), ISO-IEC-9542 (ES-IS) and ISO-IEC-10589 (IS-IS).

DCC-partition repair

Partition Repair provides a way to repair the intra-area routing function in spite of IS-IS area partitioning. This is done by creating a path outside the area, between two Level-2 nodes (which are provisioned to be Partition Capable Level-2 nodes), belonging to distinct partitions of the same IS-IS area. Level-1 IS-IS/CLNP PDUs are encapsulated and transferred over that path. This is sometimes referred to as level1-tunneling.

6 System planning and engineering

Overview

Purpose

This chapter provides general System Planning and Engineering information for the Alcatel-Lucent Add Drop Multiplexer-universal (Alcatel-Lucent 1663 ADMu).

Contents

General planning information	6-2
Power planning	6-3
Cooling equipment	6-4
Environmental conditions	6-5
Transmission capacity	6-8
Port location rules	6-10
Alcatel-Lucent 1663 ADMu core engineering	6-19
Network synchronization	6-22
Floor plan layout	6-24
Floor plan layout	6-28
Equipment interconnection	6-30

General planning information

This section provides general planning information for Alcatel-Lucent 1663 ADMu.

There are a number of issues to consider when planning a network. Projected customer requirements determine the network topology and traffic capacities that are needed, both initially and in the future. These considerations drive, in their turn, the equipment planning and physical installation. In addition, synchronization and management need to be planned.

Planning considerations

When planning your network, you should consider the

- Power planning
- Cooling Equipment
- Environmental conditions
- Transmission capacity
- Port location rules
- Synchronization
- Floor plan layout
- Equipment interconnection.

Engineering and installation services group

Alcatel-Lucent maintains an Engineering and Installation Services group to assist you in planning and engineering a new system. The Engineering and Installation Services group is a highly skilled force of support personnel dedicated to providing customers with quality engineering and installation services. These specialists use state-of-the-art technology, equipment, and procedures to provide customers with highly competent, rapid response services.

For more information about the Engineering and Installation Services group, refer to [Chapter 8, “Product support”](#).

Intended use

This equipment shall be used only in accordance with intended use, corresponding installation and maintenance statements as specified in this documentation. Any other use or modification is prohibited.

Power planning

This section provides general power planning information for Alcatel-Lucent 1663 ADMu. The subrack uses a distributed powering system, rather than bulk power supplies. The system power supply is able to provide 850 W power in the range -40 V to -72 V DC, respectively -48 V to -60 V DC nominal. Each circuit pack uses its own onboard power converter to derive the necessary operating voltages.

Power units

Each Alcatel-Lucent 1663 ADMu subrack is provided with two power units, PU-L (power unit left), PU-R (power unit right). The feeder input voltage must be between -48 V and -60 V DC. For redundancy reasons a Power Supply Filter (PSF) function is present on each Power Unit. If the feeder voltage drops below 40 V DC a local red PSF LED is lit. The PSF function is designed for a maximum system dissipation of 600 W. On each Power Unit a feeder connector is present together with a bay top alarm interface.

The Power Units do not provide circuit breakers, if needed these are provided via the optional Power Distribution Panel.

Power distribution

Optionally the power supply of the rack can be provided by a Power Distribution Panel (PDP) at the top of the rack.

Grounding

The Alcatel-Lucent 1663 ADMu subrack has central fixed earthing point (refer to the *Alcatel-Lucent 1663 ADMu Installation Guide*). The grounding and earthing of the system covers the requirements for MESH-BN and MESH-IBN according to ETSI 300 253 or ITU K.27. With the PDP it is possible to connect or to disconnect the DC returns to GRD. At this way, the system can be applied in a MESH-BN or MESH-IBN environment.

Power consumption

For more information about power consumption of the whole subrack and of the individual circuit packs, refer to [Chapter 10, “Technical specifications”](#).

Cooling equipment

This section provides general cooling equipment information for Alcatel-Lucent 1663 ADMu.

Fan units

Cooling is done by fans. Two fan units each of which contains one fan are integrated in those subracks for which the dissipation under fully loaded conditions could otherwise cause the thermal limits of the components to be exceeded. They aspirate air through a filter located below the lower row of boards and force the air through the subrack from bottom to top.

One fan unit is considered as mandatory unit for the 2.5G and the 10G application; therefore space for the fans is reserved in the middle and bottom of the subrack. If only one fan unit is used, it must be installed in the middle of the rack. If needed a second fan can optionally be ordered.

Fan unit design life

The fan unit design life is 7 years. After that the fan unit has to be replaced.

Heat baffle

The heat baffle is mounted above subrack to structure the airflow of the subrack within the structure of the rack.

Mounting the subrack allows no gaps between the baffle mounted below the Alcatel-Lucent 1663 ADMu subrack and any equipment mounted directly below. Observing this rule avoids thermal stress due to hot exhaust air from the equipment below the subrack entering the air flow baffle.

References

For more information about cooling, please refer to [“Cooling” \(p. 4-69\)](#) and to the *Alcatel-Lucent 1663 ADMu Alarm Messages and Trouble Clearing Guide*.

Environmental conditions

Environment

The environment is compliant with the specifications of EN300 019-1-3 for a Class 3.1 Environment “Stationary use at weather protected locations”:

	Temperature range	Humidity	ETSI class
Normal operation	–5 °C to +45 °C	5 to 90 %	3.1e
Storage	–25 °C to +55 °C	up to 100%	1.2
Transport	–40 °C to +70 °C	up to 95 %	2.3

EMC/ESD requirements

Important! This equipment has been tested and found to comply with the limits for a Class A product. These limits are designed to provide reasonable protection against harmful interference when the equipment is operated in a commercial environment. This equipment generates, uses, and can radiate radio frequency energy and must be installed and used in accordance with the instruction manual. In a domestic environment this product may cause radio interference in which case the user may be required to take adequate measures.

The system complies to the EMC Directive 2004/108/EC and bears the CE-marking mandatory for the EEA (European Economic Area).

The system meets the safety requirements of the Low Voltage Directive 2006/95/EC and the EMC Directive 2004/108/EC and bears the CE-marking mandatory for the EC (European Community).

The Alcatel-Lucent 1663 ADMu is compliant with EN 300386 “Electromagnetic compatibility and Radio spectrum Matters (ERM); Telecommunication network equipment; ElectroMagnetic Compatibility (EMC) requirements” and the therein specified standards:

Radiated emission	EN 55 022 / CISPR 22, Class A
Conducted emission	<ul style="list-style-type: none"> • EN 55 022 / CISPR 22, Class A • EN 55 022 / CISPR 22, Class A
<ul style="list-style-type: none"> • DC power • Telecom ports 	
Electrostatic discharge	EN/IEC 61000–4–2 level 2
Radiated immunity	EN/IEC 61000–4–3 level 3

Electrical fast transient <ul style="list-style-type: none"> • DC power • Telecom ports 	<ul style="list-style-type: none"> • EN/IEC 61000–4–4, level 1 • EN/IEC 61000–4–4, level 2
Surge immunity <ul style="list-style-type: none"> • Indoor telecom port 	<ul style="list-style-type: none"> • EN/IEC 61000–4–5, level 1
Continuous wave immunity <ul style="list-style-type: none"> • DC power • Telecom ports 	<ul style="list-style-type: none"> • EN/IEC 61000–4–6 level 2 • EN/IEC 61000–4–6 level 2

The Alcatel-Lucent 1663 ADMu is compliant with EN 61000: "EMC/ESD requirements for Public Telecommunications Network Equipment":

Radiated emission	EN 55 022 Class B
Conducted emission <ul style="list-style-type: none"> • DC power • Telecom ports 	Requirements <ul style="list-style-type: none"> • EN 55 022/EN 300 386 • CISPR 22 Class B
Electrostatic discharge	IEC 1000–4–2 level 4 EN 61000–4–2 level 4
Radiated immunity	IEC 1000–4–3 level 3
Electrical fast transient <ul style="list-style-type: none"> • DC power • Telecom ports 	Requirements <ul style="list-style-type: none"> • IEC 1000–4–4 level 3 • IEC 1000–4–4 level 3
Surges <ul style="list-style-type: none"> • Indoor telecom port 	Requirements <ul style="list-style-type: none"> • EN 300 386
Continuous wave <ul style="list-style-type: none"> • DC power • Telecom ports 	Requirements <ul style="list-style-type: none"> • IEC 1000–4–6 level 2 • IEC 1000–4–6 level 2

FCC certification

Alcatel-Lucent 1663 ADMu is certified according to FCC part 15 class A.

Building requirements for Alcatel-Lucent 1663 ADMu operation

Alcatel-Lucent 1663 ADMu is designed for areas with restricted access, in particular:

- For central office (CO) applications according to *Telcordia*[™] GR-1089-CORE, section 1.1 and GR-63-CORE, section 1.1,
- For telecommunication centers according to ETS 300 019-1-3, section 4.1.

Transmission capacity

This section provides general information about transmission capacity for Alcatel-Lucent 1663 ADMu.

The overall TDM transmission capacity of the system is determined by the size of the higher-order switch matrix on the core units.

Capacity

On the 2.5G Core Unit the total TDM switch capacity is 64 STM-1 equivalents (10.6 Gbit/s) for high order and 32 for low order.

On the 10G Core Unit the total TDM switch capacity is 272 STM-1 equivalents (42.3 Gbit/s) for high order and 64 for low order.

The Alcatel-Lucent 1663 ADMu Dual Unit Row sub-rack (DUR) provides 160 Gbit/s respectively 320 Gbit/s switching capacity, depending on the switching units applied. This allows you to equip the subrack with the following circuit packs:

- 10-Gbit/s synchronous / Ethernet WANPHY
- 2.5-Gbit/s synchronous
- 622-Mbit/s synchronous
- 155-Mbit/s synchronous
- 1-Gbit/s Ethernet.

Circuit pack capacities

The following table gives an overview of the add/drop capacity for the 2.5 Gbit/s core unit and the 10 Gbit/s core unit.

	2.5 Gbit/s application	10 Gbit/s application
E1	maximum 504 of which a maximum of 252 hardware protected (in this case up to 4 units are protected)	maximum 504 of which a maximum of 252 hardware protected (in this case up to 4 units are protected)
DS1	maximum 504 of which a maximum of 252 hardware protected (in this case up to 4 units are protected)	maximum 504 of which a maximum of 252 hardware protected (in this case up to 4 units are protected)
E3/DS3	maximum 96 of which a maximum of 48 hardware protected (in this case 4 units are protected)	maximum 96 of which a maximum of 48 hardware protected (in this case 4 units are protected)
STM-1e	maximum 32 of which a maximum of 16 hardware protected (in this case all units are protected)	maximum 32 of which a maximum of 16 hardware protected (in this case all units are protected)

	2.5 Gbit/s application	10 Gbit/s application
STM-1e (using LKA39)	maximum 96 of which a maximum of 48 hardware protected (in this case all units are protected)	maximum 96 of which a maximum of 48 hardware protected (in this case all units are protected)
E/FE	maximum 144 unprotected	maximum 144 unprotected
GbE	18 unprotected	18 unprotected
STM-1o	maximum 36 unprotected (in this case all units are unprotected) or a maximum of 16 protected (in this case all units are protected)	maximum 36 unprotected (in this case all units are unprotected) or a maximum of 16 protected (in this case all units are protected)
STM-1o (using LKA39)	maximum 138 unprotected (in this case all units are unprotected) or a maximum of 64 protected (in this case all units are protected)	maximum 138 unprotected (in this case all units are unprotected) or a maximum of 64 protected (in this case all units are protected)
STM-4	maximum 9 unprotected (in this case all units are unprotected) or a maximum of 4 protected (in this case all units are protected)	maximum 9 unprotected (in this case all units are unprotected) or a maximum of 4 protected (in this case all units are protected)
STM-4 (using LKA39)	maximum 36 unprotected (in this case all units are unprotected) or a maximum of 16 protected (in this case all units are protected)	maximum 36 unprotected (in this case all units are unprotected) or a maximum of 16 protected (in this case all units are protected)
STM-16	—	maximum 9 unprotected (in this case all units are unprotected) or a maximum of 4 protected (in this case all units are protected)

References

For more information about transmission capacity, please refer to [Chapter 4, “Product description”](#).

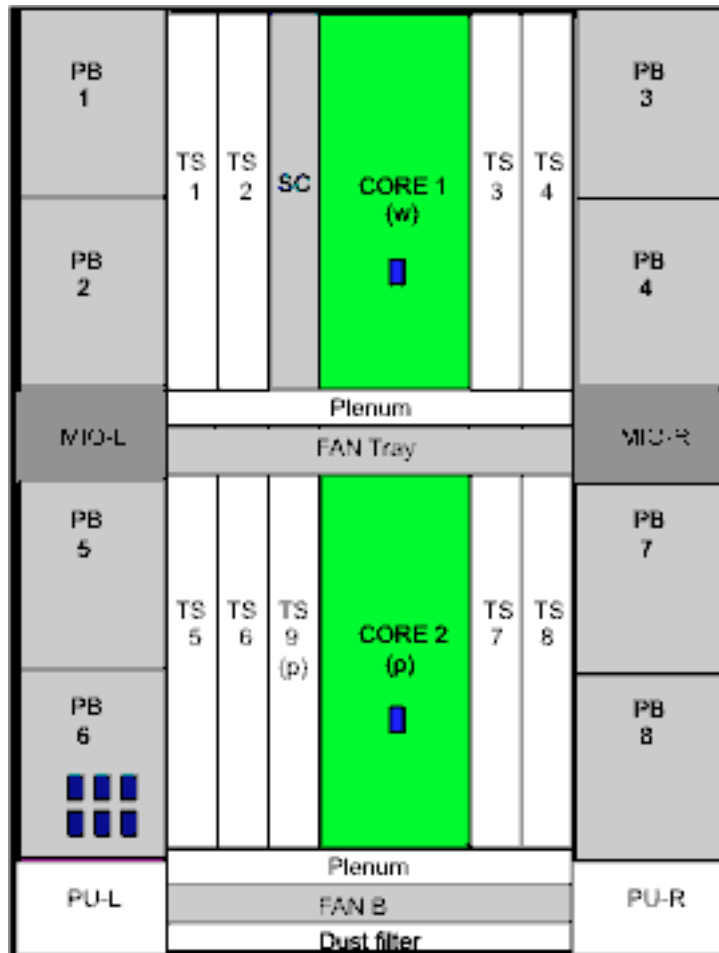
Port location rules

This section provides configuration restrictions and recommendations about using circuit packs and slots efficiently. For information about the subrack in general, please refer to “Subrack” (p. 4-14). Brief descriptions about the function of the circuit packs can be found in “Circuit packs” (p. 4-16).

Subrack

The Alcatel-Lucent 1663 ADMu subrack consists of the following slots:

- 2 slots for the core units. Each contains a line interface (STM-16 or STM-64) and timing and cross connect functionality
- 9 universal slots for tributary units
- 1 slot for the controller unit.



Explanation of abbreviations

The following abbreviations are used:

SC	System Controller Unit slot, user panel and visual indicators
TS1...4	Universal “tributary” port slot for 2 Mbit/s (no equipment protection), STM-1e, STM-1, STM-4, STM-16, DS3/E3, E/FE, GE1; maximum backplane capacity (TDM) per slot is 2.5 Gbit/s
TS5...8	Universal “tributary” port slot for 2 Mbit/s (including 1:4 equipment protection), STM-1e, STM-1, STM-4, STM-16, DS3/E3, E/FE, GE1; maximum backplane capacity (TDM) per slot is 2.5 Gbit/s
TS9	Tributary slot without associated paddle board: STM-1, STM-4, STM-16, GE1, DS1, and E1 protection board
TS _n and TS _(n+1)	$n = 1, 3, 5, 7$: slot pair for STM-1e and E3/DS3 equipment protection
CO1,2	Core Unit slot: 2.5 Gbit/s (64/32) and 10 Gbit/s (272/64)
PB1...4	Paddle Board slot for 2 Mbit/s, E3/DS3, STM1e and FE. No 2 Mbit/s protection provided
PB5...8	Paddle Board slot for 2 Mbit/s, E3/DS3, STM1e and FE. Includes 2 Mbit/s protection
MIO-L/R	Left and right area for miscellaneous connectors
PU-L/R	Left and right area for Power Unit
FANM, FANB	Middle and bottom fan area

Positions of the tributary port circuit packs

The following is an overview of the tributary port circuit packs and the position that they can occupy in the Alcatel-Lucent 1663 ADMu subrack.

Apparatus code	Circuit Pack Name	Circuit pack (CP) Function	Slot position
LKA2	PI-E1/63	Tributary port 2 Mbit/s signals	TS1–TS4 and TS5–TS8
LKA2	PI-E1/63	Tributary port 2 Mbit/s signals when used together with LKA62	TS5–TS8
LKA2	PI-E1/63	Tributary port 2 Mbit/s signals - 1:N eqpt. protection TS9 for protection	TS5–TS8
LKA16	PI-DS1/63	Tributary port 1.5 Mbit/s signals	TS1–TS4 and TS5–TS8
LKA16	PI-DS1/63	Tributary port 1.5 Mbit/s signals when used together with LKA62	TS5–TS8
LKA16	PI-DS1/63	Tributary port 1.5 Mbit/s signals - 1:N eqpt. protection TS9 for protection	TS5–TS8

Apparatus code	Circuit Pack Name	Circuit pack (CP) Function	Slot position
LKA8	PI-E3DS3/12	Tributary port 34/45 Mbit/s signals when used together with LKA62	TS5–TS8
LKA8	PI-E3DS3/12	Tributary port 34/45 Mbit/s signals (unprotected function in combination with PBG4)	TS1–TS8
LKA3	SI-1/4	Tributary port 155.520 Mbit/s signals - 1+1 eqpt. protection (in combination with PBP2) Cannot be used together with LKA62	TS1–TS8
LKA13	SI-L1.2/4	Tributary port STM-1o signals cannot be used together with LKA62	TS1–TS9
LKA6	SI-S1.1/4	Tributary port STM-1o signals Cannot be used together with LKA62	TS1–TS9
LKA11	SI-S4.1/1	Tributary port STM-4 signals cannot be used together with LKA62	TS1–TS9
LKA14	SI-L4.2/1	Tributary port STM-4 signals Cannot be used together with LKA62	TS1–TS9
LKA23	SI-L16.1/1	Tributary port STM-16 signals Cannot be used together with LKA62	TS1–TS9
LKA22	SI-L16.2/1	Tributary port STM-16 signals Cannot be used together with LKA62	TS1–TS9
LKA39	SI-1/16-4/4	Parent board for STM-4, STM-1o and STM-1e To be used with PBP5/ 6/ 8	TS1–TS8 TS9 (for optical ports)
LKA50	SI-x16 SFP/1	Tributary unit using STM-16 SFP's	TS1–TS9
LKA146	SI-16/4/1/M	Tributary card for STM-16, STM-4, STM-1o and STM-1e.	TS1–TS9
LKA4	IP-LAN8	E/FE 10/100 BASE-T Ethernet Cannot be used together with LKA62	TS1–TS8
LKA412	IP-LAN12	12 switched E/FE 10/100 BASE-T Ethernet	TS1–TS8

Apparatus code	Circuit Pack Name	Circuit pack (CP) Function	Slot position
LKA53	IP-GE/2F-OS	<p>GbE LAN interface</p> <p>The IP-GE/2F-OS (LKA53) Gigabit Ethernet unit can only be used in combination with</p> <ul style="list-style-type: none"> An LKA21/LKA21B/LKA20 System Controller, and A 2.5-Gbit/s or 10-Gbit/s core unit of type SI-L64.2 C1/1 (LKA26), SI-I64.1r C1/1 (LKA47), SI-S64.2 C1/1 (LKA27), SI-16SFP C2/4 (LKA48), SI-16 SFP C3/1(LKA481), SI-16 VH C3/1 OBA (LKA482), SI-L64.2 C2/1 (LKA28), SI-U64.2 C2/1 (LKA281), SI-S64.2 C2/1 (LKA29), SI-I64.1r C2/1 (LKA49), SI-V64.2 C2/1 (LKA350), SI-64 XFP C2/1 (LKA60), or SI-64 XFP C4/2 (LKA62). 	TS1–TS9
LKA58	IP-GE/8F-OS	GbE LAN interface	TS1–TS9
LKA12/ LKA12B	IP-GE/2	<p>GbE LAN interface</p> <p>Cannot be used together with LKA62</p>	TS1–TS9

Circuit packs

The Alcatel-Lucent 1663 ADMu has a broad range of optical interface circuit packs. The Line Ports can be equipped with STM-16 unit at 1310/1550 nm or STM-64 units at 1550 nm.

Table 6-1 Optical interface circuit packs

Optical units	Optical connectors
SI-S1.1/4	SC
SI-S1.4/1	SC
IP-GE/2	Small Form factor Pluggable (SFP) device, normally equipped with an LC connector.
2.5 Gbit/s and 10 Gbit/s core unit	Universal buildout, which allows SC, FC and ST types of connectors; default is SC.
SI-L16.1 C2/1 and SI-L16.2 C2/1	Universal buildout, which allows SC, FC and ST types of connectors; default is SC.

STM-64 optical line-port units

Description
S-64.2b/3b (1550 nm, ITU-T G.691; 3-11 dB)
L-64.2b/3 (1550 nm, ITU-T G.691; 16-22 dB)
SI-I64.1r C1/1 (1310 nm, ITU-T G.691; 16-22 dB)
SI-EML64.11C1/1 (1550 nm, ITU-T G.691; 16-22 dB)
SI-S64.2 C2/1 (1550 nm, ITU-T G.691; 16-22 dB)
SI-L64.2 C2/1 (1550 nm, ITU-T G.691; 16-22 dB)
SI-I64.1r C2/1 (1310 nm, ITU-T G.691; 16-22 dB)
SI-V64.2 C2/1 (1550 nm, ITU-T G.691; 16-22 dB)

STM-16 optical line-port units

Description
L-16.1 (1310 nm, ITU-T G.957; 10-24 dB)
L-16.2/3 (1550 nm, ITU-T G.957; 10-25 dB)

Optical interfaces for tributaries

Description
L-16.1 (1310 nm, ITU-T G.957; 10-24 dB)
L-16.2/3 (1550 nm, ITU-T G.957; 10-25 dB)
S-4.1 (1310 nm, ITU-T G.957; 0-12 dB)
L-4.2 (1550 nm, ITU-T G.957; 10-24 dB)
S-1.1 (1310 nm, ITU-T G.957; 0-12 dB)
L-1.2 (1550 nm, ITU-T G.957; 10-28 dB)

Description
<p>IP-GE/2 - pluggable optics for:</p> <ul style="list-style-type: none"> 1000BASE-SX (850 nm Short Haul Multi-mode; IEEE 802.3 Clause 38) When using standard multi-mode fibers, others than specified, the optical output power is higher than specified for the MMF application. 1000BASE-LX (1310 nm Long Haul Multi-mode; IEEE 802.3 Clause 38) When using standard multi-mode fibers, others than specified, the optical output power is higher than specified for the MMF application. 1000BASE-ZX (15500 nm Long Haul Single-mode; IEEE 802.3 Clause 38) This interface type is a pure SMF application, and needs a minimum of 5 dB attenuation between transmitter and receiver. When using this kind of interface together with multi-mode fibers receivers can be damaged.
<p>IP-LAN12 - pluggable optics for:</p> <ul style="list-style-type: none"> OM100B-LX

Electrical tributary circuit packs

Description
PI-E1/63: 2 Mbit/s
PI-DS1/63: 1.5 Mbit/s
PI-E3DS3/12 and DS-3: 34 and 45 Mbit/s
SI-1/4 (STM-1e): 155 Mbit/s
IP-LAN/8 (Ethernet LAN): 10/100 Base-T

Paddle boards

A variety of paddle boards can be used to interconnect the system directly or indirectly with the office cabling. In addition, paddle boards can be used for equipment protection and/or impedance adaptation. All paddle boards can be inserted from the front of the equipment and fit on the 2 mm pitch backplane connectors.

Short name	Long description	Use together with
PB-SI1e/4	Paddle Board STM-1e	SI-1e/4
PB-SI1e/P4	Paddle Board STM-1e Protection	SI-1e/4
PB-E3DS3/12	Paddle Board 34/45 Mbit/s	PI-E3DS3/12
PB-E3DS3/P12	Paddle Board 34/45 Mbit/s Protection	PI-E3DS3/12

Short name	Long description	Use together with
PB-E1/75/63	Paddle Board 2 Mbit/s, 75 Ω	PI-E1/63
PB-E1/120/63	Paddle Board 2 Mbit/s, 120 Ω	PI-E1/63
PB-E1/75/P63	Paddle Board 2 Mbit/s, 75 Ω 1:N P/un-P	PI-E1/63
PB-E1/120/P63	Paddle Board 2 Mbit/s, 120 Ω 1:N P/un-P	PI-E1/63
PB-DS1/P100/63	Paddle Board 1.5Mbit/s, 100 Ω	PI-DS1/63
PB-LAN/100/8	Paddle Board 8 \times LAN 100 Ω	IP-FE/8

Paddle boards are always needed for electrical interfaces.

The STM-1 Paddle Boards (PBs) to be used together with LKA39 (for protection and impedance adaption) are listed below.

Item code	PB name	Description	Position
PBP5	PB-1/75/12S	On this paddle board are 1.6/5.6 connectors for 12 bidirectional external CMI interfaces.	PB1–PB4 and PB5–PB8
PBP6	PB-1/P75/12D	The paddle board can be used for 1+1 protection in combination with two units, in two adjacent trib slots (trib slots 1&2, 3&4 and 5&6, 7&8 are allowed).	PB1–PB4 and PB5–PB8
PBP8	PB-STM-1o/e/6	On this paddle board are 6 SFP cages for STM-1o and/or STM-1e interfaces.	PB1–PB4 and PB5–PB8
PBP9	PB-STM-4/1o/e/6	On this paddle board are 6 SFP cages for STM-4 and/or STM-1o and/or STM-1e interfaces.	PB1–PB4 and PB5–PB8

2 Mbit/s Paddle Boards (PBs) for protection and impedance adaption are listed below.

Item code	PB name	Description	Position
PBE3	PB-E1/P75/63	Protected 75 Ω applications, 63 channels + connector type <i>Metal</i> TM 2 mm	PB5–PB8
PBE3D	PB-E1/P75/63	Protected 75 Ω applications, 63 channels + connector type SubD15 interconnect	PB5–PB8

Item code	PB name	Description	Position
PBE4	PB-E1/P120/63	Protected 120 Ω applications, 63 channels + connector type <i>Metal</i> TM 2 mm	PB5–PB8
PBE41	PB-E1/P120/63	Protected 120 Ω applications, 63 channels + connector type <i>Metal</i> TM 2 mm	PB5–PB8
PBE5	PB-E1/75/63	Unprotected 75 Ω applications, 63 channels + connector type <i>Metal</i> TM 2 mm	PB1–PB4 and PB5–PB8
PBE6	PB-E1/120/63	Unprotected 120 Ω applications, 63 channels + connector type <i>Metal</i> TM 2 mm	PB1–PB4 and PB5–PB8
PBP7	PB-E1/75/63	Unprotected 75 Ω applications, 63 channels + connector type SubD15 interconnect	PB1–PB4 and PB5–PB8

34/45 Mbit/s paddle boards (PBs) for protection are listed below.

Item code	PB name	Description	Position
PBG4	PB-E3DS3/75/12	Unprotected 75 Ω applications, 12 channels + connector 1.5/5.6	PB1–PB4 and PB5–PB8
PBP1	PB-E3DS3/P75/12	Protected 75 Ω applications, 12 channels + connector 1.5/5.6	PB1–PB4 and PB5–PB8

155 Mbit/s paddle boards (PBs) for protection are listed below.

Item code	PB name	Description	Position
PBG2	PB-1/75/4	Unprotected 75 Ω applications, 4 channels + connector 1.5/5.6	PB1–PB4 and PB5–PB8
PBP2	PB-1/P75/4	Protected 75 Ω applications, 4 channels + connector 1.5/5.6	PB1–PB4 and PB5–PB8

Paddle boards for PB-LAN/100/12 are listed below.

Item code	PB name	Description	Position
PBL12	PB-LAN/100/12	Unprotected 10/100Base-T LAN, 12 channels + connector type RJ45	PB1–PB4 and PB5–PB8

Item code	PB name	Description	Position
PBO12	PB-LAN/100/12	Unprotected 10/100Base-T LAN, 12 channels + connector type RJ45	PB1–PB4 and PB5–PB8

Paddle boards for PB-LAN/100/8 are listed below.

Item code	PB name	Description	Position
PBG1	PB-LAN/100/8	Unprotected 10/100Base-T LAN, 8 channels + connector type RJ45	PB1–PB4 and PB5–PB8

SFP modules

The optical plug-in modules for the parent boards are so called Small Form Factor Pluggable (SFPs). For STM-1 also an electrical SFP is available. They can be inserted and removed in a live system (“hot pluggable”).

The number of inserted SFPs can be configured flexibly between 0 and the maximum number (3, 6 or 8). The remaining SFP slots can be left empty and should be covered by a faceplate.

The Alcatel-Lucent 1663 ADMu SFPs are marked by the manufacturer and checked upon insertion, in order to protect from accidental insertion of non Alcatel-Lucent SFPs or SFPs not certified by Alcatel-Lucent.

Alcatel-Lucent 1663 ADMu core engineering

Minimum configuration

The minimum recommended complement of circuit packs required for an operational Alcatel-Lucent 1663 ADMu subrack is

- one working and one protection 2.5G/10G Core Unit
- one System Controller Unit
- any optical circuit packs in the universal slots.
- one Power Supply Unit
- one Fan Unit

Alcatel-Lucent 1663 ADMu 2.5G core engineering

The core configuration of the Alcatel-Lucent 1663 ADMu for 2.5G application always consists of the following:

Apparatus code	Circuit-pack name	Description	Slot position
LKA1D	SC	System Controller Unit. This item includes the current Alcatel-Lucent 1663 ADMu system software.	SC
LKA21/LKA21B	SC2	System Controller Unit 2. This item includes the current Alcatel-Lucent 1663 ADMu system software.	SC
LKA20	SC3	System Controller Unit. This item includes the current Alcatel-Lucent 1663 ADMu system software.	SC
LKA24	SI-L16.1 C2/1	Core Unit: cross-connect, line interface, and timing	CO1 (W) and CO2 (P)
LKA25	SI-L16.2/3 C2/1		
LKA48	SI-16SFP C2/4	4x2G5 Core Unit: cross-connect, line interface, and timing	
LKA481	SI-16 SFP C3/1	1 port-SFP STM-16 Core Unit: cross-connect, line interface, and timing	
LKA482	SI-16 VH C3/1 OBA	1 port-SFP STM-16 VH Core Unit: cross-connect, line interface, and timing	
PU	PU	Power Unit	
FAN	FAN	Fan Unit	FANM and FANB

Alcatel-Lucent 1663 ADMu 10G application core engineering

The core configuration of the Alcatel-Lucent 1663 ADMu for 10G application consists of:

Apparatus code	Circuit-pack name	Description	Slot position
LKA1D	SC	System Controller Unit. This item includes the current Alcatel-Lucent 1663 ADMu system software.	SC1
LKA21/LKA21B/ LKA20	SC	System Controller Enhanced Unit. This item includes the current Alcatel-Lucent 1663 ADMu system software.	SC2
LKA26 (release 1.0)	SI-L64.2 C1/1	Core Unit: cross-connect, line interface, and timing	CO1 (W) and CO2 (P)
LKA27 (release 1.0)	SI-S64.2 C1/1		
LKA47 (release 1.0)	SI-I64.1r C1/1		
LKA28	SI-L64.2 C2/1		
LKA29	SI-S64.2 C2/1		
LKA49	SI-I64.1r C2/1		
LKA281	SI-U64.2 C2/1		
LKA350	SI-V64.2 C2/1		
LKA60	SI-64 XFP C2/1		
LKA62	SI-64 XFP C4/2		
LKA211	SI-EML64.11C1/1		
PU	PU	Power Unit	PU-L and PU-R
FAN	FAN	Fan Unit	FANM and FANB

Restrictions

Configuring a Alcatel-Lucent 1663 ADMu system the following restrictions have to be considered:

- It is recommended not to configure a system with mixed core units (i.e. release 1.0 core unites together with release 3.0 (or higher) 10G core units). Such a mixed configuration is only supported in the context of an HW upgrade from release 1.0 hardware to, for instance, release 3.0 hardware.
- Upgrading HW from release 1.0 core units to release 3.0 or later

If unexpected state information is reported, the operator should just follow the upgrade procedure and ignore the state information.

There is no way back if the first core unit is re-assigned. The operator has to continue with the upgrade procedure. In worst case, there will be a longer traffic interruption until the second core unit is replaced.

- It is recommended not to configure a system with mixed core units release 1.0 core unites together with release 6.0 10G core units (LKA60).

-
- Upgrade from R3 Core Units to LKA60 is supported, but not the downgrade.
 - The system allows in service upgrade of the single port 2.5G core units LKA481 & LKA482 (introduced with Release 5.0) to the 10G core units LKA49, LKA29, LKA28, LKA350 (introduced with Release 3.0) and LKA281. The traffic of line interface must be protected by SNC/N. Short traffic interruptions in the range of a protection hit (<50 ms) are acceptable. The upgrade is described in the OMS Provisioning Guide
 - Do not use the Alcatel-Lucent 1663 ADMu STM-1 tributary packs LKA6 (108680042), LKA3 (108676651) , LKA11 (109047811) and LKA13 (109202291) together with 1663 ADMu core units of release 3.0 or higher.
 - If STM-1 access is needed, use the high density STM-1/ STM-4 pack (LKA39).
 - R3.0.x does not support the LKA21B!
 - The 10-Gbit/s core unit LKA62 can only be used in subrack 849038294.
 - The 10-Gbit/s core unit LKA62 can only be used in combination with
 - LKA2
 - LKA8
 - LKA16
 - LKA39
 - LKA53
 - LKA58
 - LKA146
 - LKA412
 - The 10-Gbit/s core unit LKA62 cannot be used in combination with
 - LKA6
 - LKA3
 - LKA13
 - LKA4
 - LKA14
 - LKA12/12B
 - LKA11

Network synchronization

The planning of the synchronization network should be considered for the network as a whole. The guidelines for synchronization network engineering can be found in ITU-T Recommendation G.803, Annex III. The Alcatel-Lucent 1663 ADMu supports all the synchronization features that are needed (as specified in ITU-T Recommendation G.781, Option 1) to engineer the network synchronization according to ITU-T Recommendations. Careful consideration should be given to the correct design of the SDH network's synchronization. Proper synchronization engineering minimizes timing instabilities, maintains quality transmission network performance and limits network degradation due to unwanted propagation of network synchronization faults.

References

Timing and synchronization functionality is described at

- [“Synchronization and timing”](#) (p. 4-59)

Key recommendations

The following list contains some key recommendations with respect to network synchronization:

- from a synchronization point of view, a group of interconnected SDH network elements, like the Alcatel-Lucent 1663 ADMu, which all contain an internal clock according to G.813 option 1, form a so-called “SEC subnetwork”. All SDH network elements in this cloud provide each other with timing information via STM-N links. Such a network part should receive synchronization from the network clock, via at least two independent paths. The network clock usually consist of a PRC (See ITU-T Recommendation G.811) and a back-up clock (usually an SSU according to G.812) in case the PRC fails
- 2 MHz and 2 Mbit/s links are used to bring the timing information from the network clock into the SEC subnetwork. The planning of the links between the PRC and all SSUs in a network is part of the overall operator's network-synchronization plan
- within the SEC subnetwork the SDH network elements should be configured in such a way that each network element receives at least two reference signals. Selection between the alternative references should be based on the SSM protocol
- the SEC subnetwork synchronization should be engineered such that no chains of SECs are present or can be formed that exceed the number of 20 nodes (excluding SDH regenerators)
- as a guideline, it is recommended that the SEC sub-network synchronization be engineered in such a way that no combination of two independent failures can lead to the creation of timing loops or the occurrence of instabilities in the reference selectors.

ITU-T Recommendation G.781

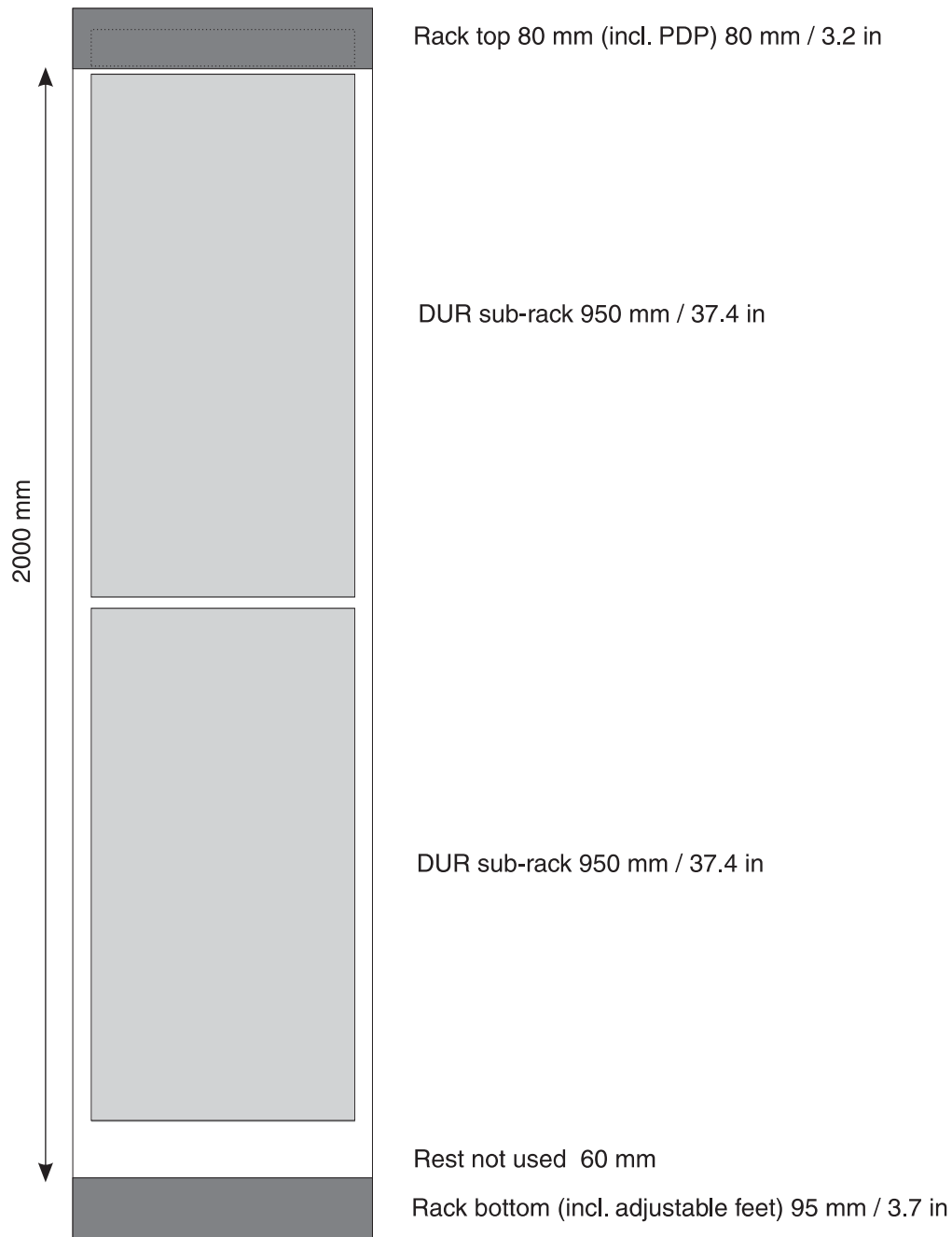
The Alcatel-Lucent 1663 ADMu is in accordance with ITU-T Recommendation G.781 and supports the following features to support the engineering of the synchronization network:

- Possibility to assign STM-N inputs (both aggregate and tributary), 2 Mbit/s traffic inputs and external synchronization inputs (2 MHz or 2 Mbit/s) as references for the system or for the external synchronization output
- Assignment/Unassignment of synchronization references. Up to 8 references can be assigned (two external timing inputs, two aggregate interfaces and four tributary interfaces). Each of these references can be provisioned with a priority
- Independent selection of references for the system clock and the external timing output
- Optional enabling/disabling of the SSM algorithm
- The possibility within the SSM algorithm to assign a fixed SSM value to any incoming reference and to define a squelch threshold for the external synchronization output.

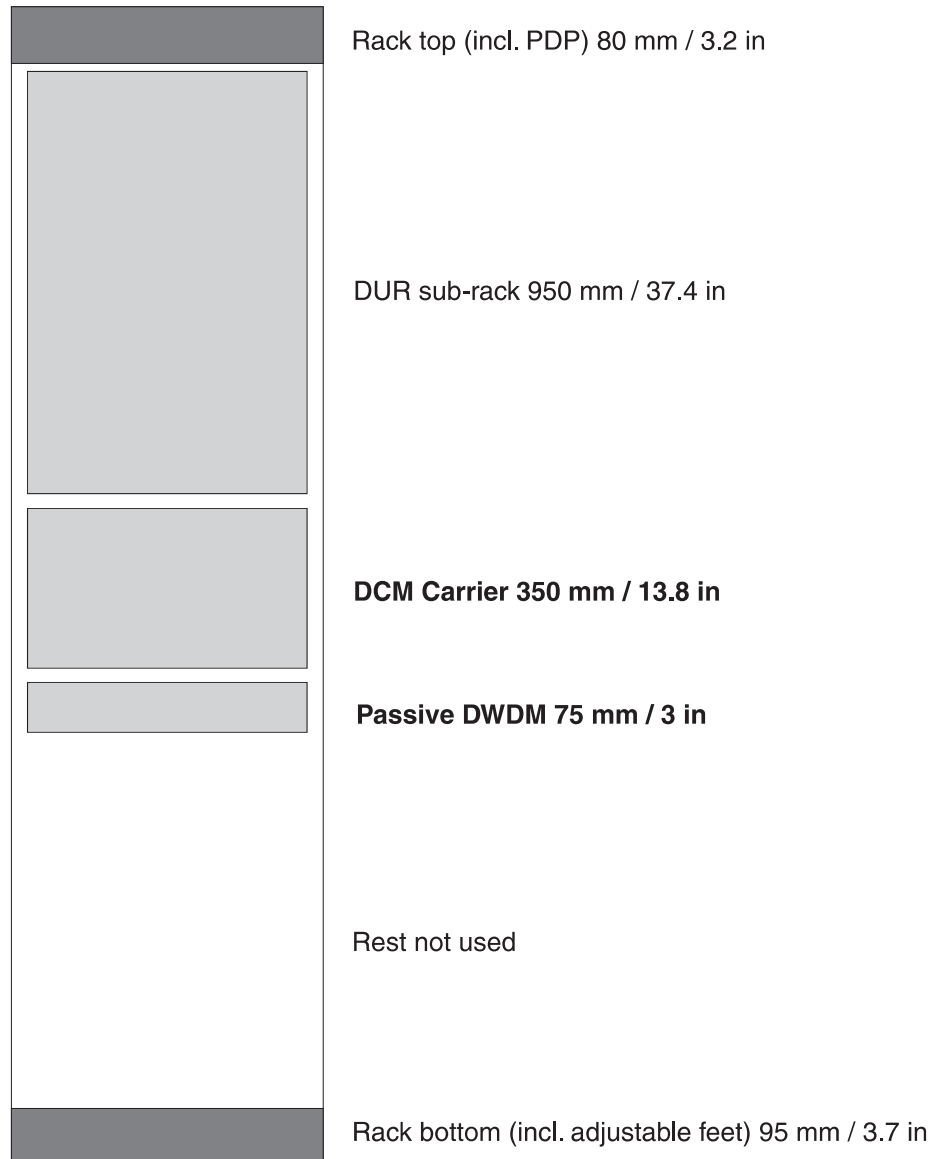
Floor plan layout

Rack equipping

Depending on the desired configuration, the appropriate rack height must be chosen. The following figure gives an example of a 2.2 m (86.6 in) rack (ETSI 300 119) equipped with two Dual Unit Row (DUR) shelves.

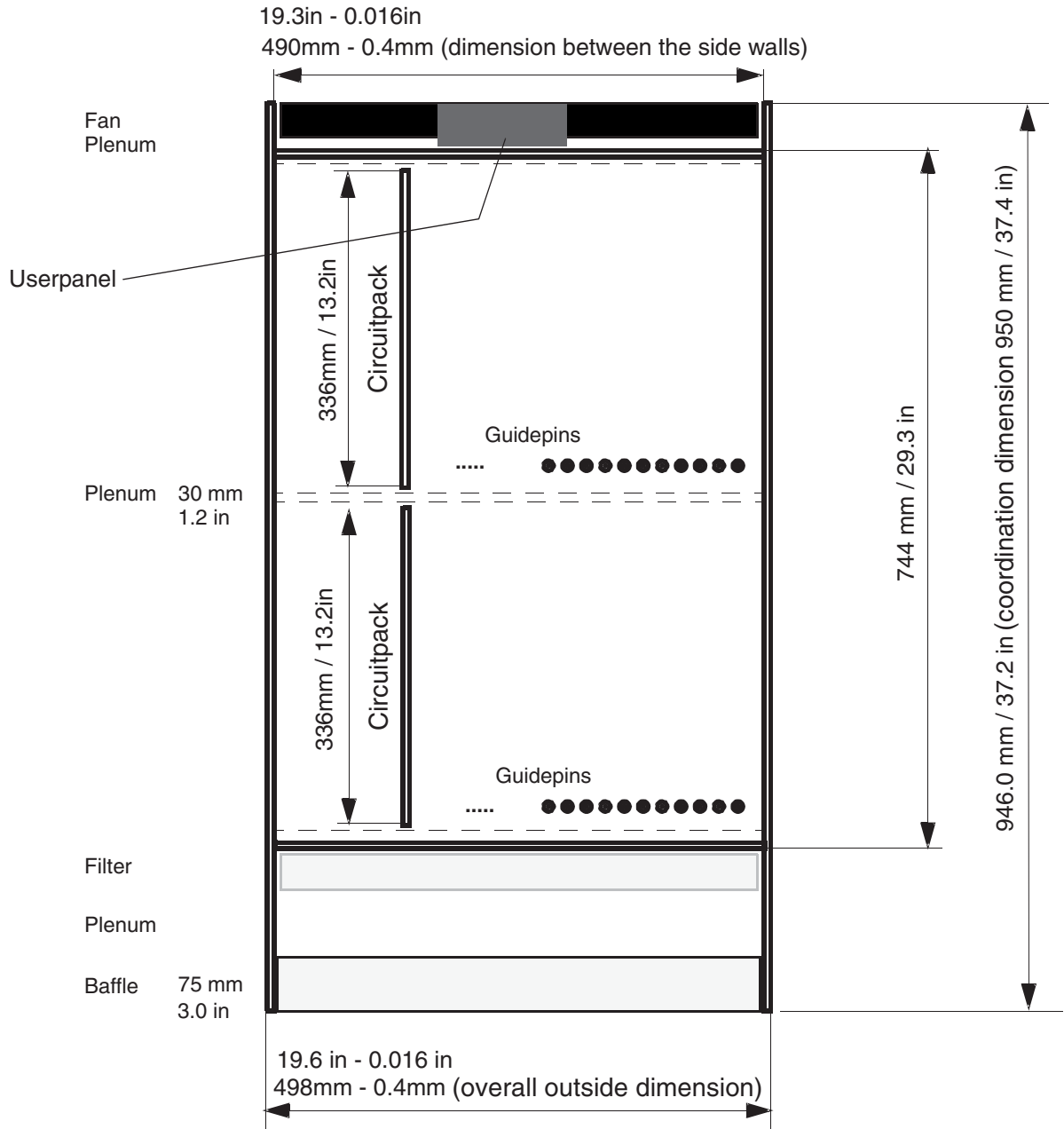


In the following figure a carrier for Dispersion Compensation Modules (DCM) and a passive WDM box have been mounted in the rack. DCMs are required only with 40-Gbit/s applications without DWDM interfacing. The passive WDM box is an OEM product. In this case, only one DUR subrack fits in a 2.2 m (86.6 in) rack (Alcatel-Lucent 1663 ADMu specific rack). Instead of a DCM unit there is also the possibility to insert a storage box for fiber overlength.



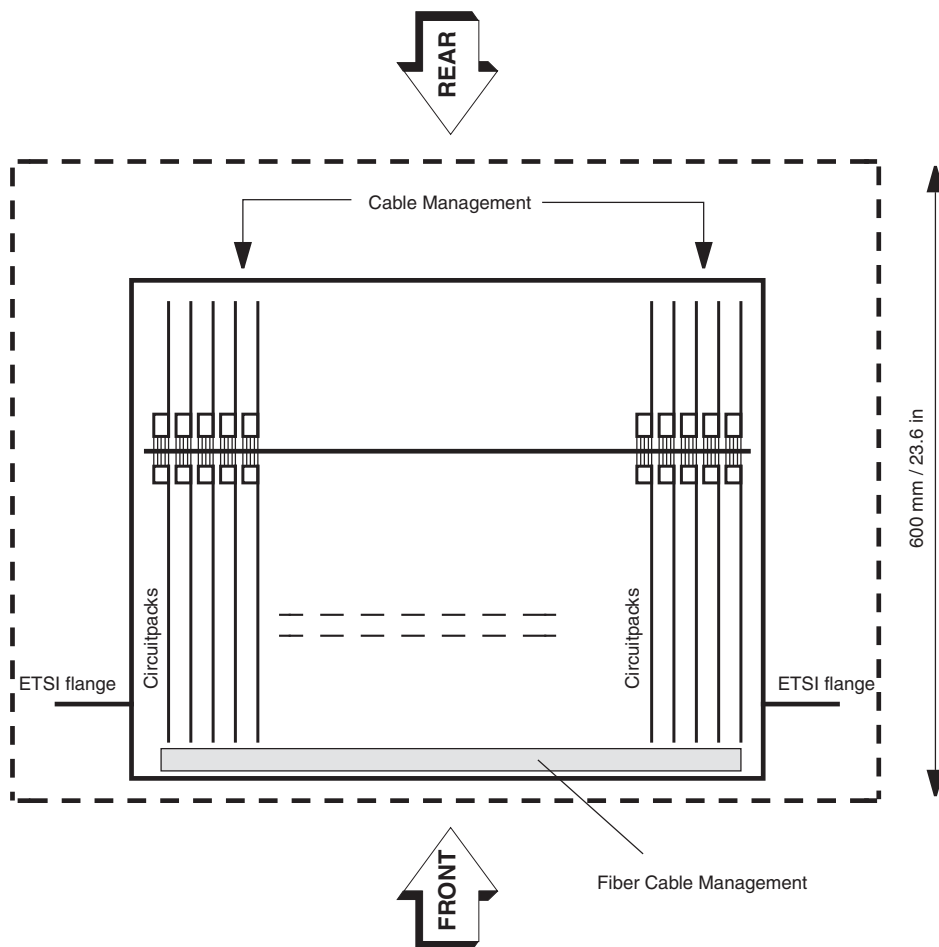
Subrack dimensions

The size of the DUR subrack is 950 mm x 500 mm x 545 mm (37.4 in x 19.7 in x 21.5 in) (height x width x depth). The air flow baffle mounted in the lower part of the subrack is already included in this value.



Front and rear access

The following view-from-above figure illustrates the space required for front and rear access to the system. Front access is required for operations activities and rearrangements of the optical port units. Rear access is required for upgrades that require cable rearrangements and for the rearrangements of the electrical STM-1 port units.



Floor plan layout

This section gives information about the space needed to mount Alcatel-Lucent 1663 ADMu subracks.

For a complete and up-to-date list of all hardware items with the respective comcodes please refer to the Engineering Drawings ED8C937-10 and ED8C937-20, that you can:

- find appended at the end of this document, up to date of the printing date (if it was ordered at the Customer Information Center (CIC))
- order in the latest version at CIC under <http://www.cic.lucent.com/drawings.html> with the order codes “ED8C937-10” and “ED8C937-20”.

Rack dimensions (based on an ETSI subrack (300 mm))

The Alcatel-Lucent 1663 ADMu is housed in a self-supporting double-row shelf to fit in standard ETSI racks that are 300 mm deep and 600 mm wide. The maximum size of a subrack that contains one Alcatel-Lucent 1663 ADMu is 495 mm wide and 270 mm deep. The subrack height is a maximum of 925 mm (fully equipped, including I/O modules and cable routing).

The racks require an area of 600 mm × 600 mm (23.6 in × 23.6 in) (width × depth) in accordance with ETSI 300 119 and with Bellcore GR-63. This area represents the absolute system limits which is not exceeded in the operating state by protruding elements such as switches or plugs. The rack height can be chosen in accordance with the local conditions. Standard height is 2.2 m (86.6). Heights 2.6 m (102.4 in), 2.125 m (83.66 in) and a seismic rack (2.0 m (78.7 in) height) are possible depending on customer requirements (not standard delivery).

2000 mm by 300 mm

This rack can hold one subrack and miscellaneous equipment according to ETS 200119-4 in the remaining space. The rack is 600 mm wide, 300 mm deep, and 2000 mm high. The subracks can be mounted from the front side. The design conforms to ETS 300119-3 specifications. The rack is designed for installation of rack-level power and fusing facilities as well as alarm lamps.

2200 mm by 300 mm

This rack can hold two subracks. The rack is 600 mm wide, 300 mm deep and 2200 mm high. The subracks can be mounted from the front side. The design conforms to ETS 300119-3 specifications. The rack is designed for installation of rack-level power and fusing facilities as well as alarm lamps.

2600 mm by 300 mm

This rack can hold two subracks. The rack is 600 mm wide, 300 mm deep and 2600 mm high. The subrack can only be mounted from the front side. The design conforms to ETS 300119-3 specifications. The rack is designed for installation of rack-level power and fusing facilities as well as alarm lamps.

2200 mm by 600 mm

This rack can hold four subracks. The rack is 600 mm wide, 600 mm deep and 2200 mm high. The subracks can be mounted from both sides. The design conforms to ETS 300119-3 specifications. The rack is designed for installation of rack level power and fusing facilities as well as alarm lamps.

2600 mm by 600 mm

This rack can hold four subracks. The rack is 600 mm wide, 600 mm deep and 2600 mm high. The subracks can be mounted from both sides. The design conforms to ETS 300119-3 specifications. The rack is designed for installation of rack-level power and fusing facilities as well as alarm lamps.

1675 LambdaUnite® MultiService Switch (MSS) earthquake proof rack

The subrack of the Alcatel-Lucent 1663 ADMu system can be mounted back-to-back in a 600 mm deep, 2200 mm high earthquake proof 1675 LambdaUnite® MultiService Switch (MSS) rack. The subrack can be mounted from both sides. Two Alcatel-Lucent 1663 ADMu subracks can be mounted below one 1675 LambdaUnite® MultiService Switch (MSS) rack. Cabling restrictions may apply, i.e. strict top cabling access for the 1675 LambdaUnite® MultiService Switch (MSS) and strict bottom cabling access for the Alcatel-Lucent 1663 ADMu.

The 1675 LambdaUnite® MultiService Switch (MSS) rack-top alarm unit (LEDs) is supported by the Alcatel-Lucent 1663 ADMu.

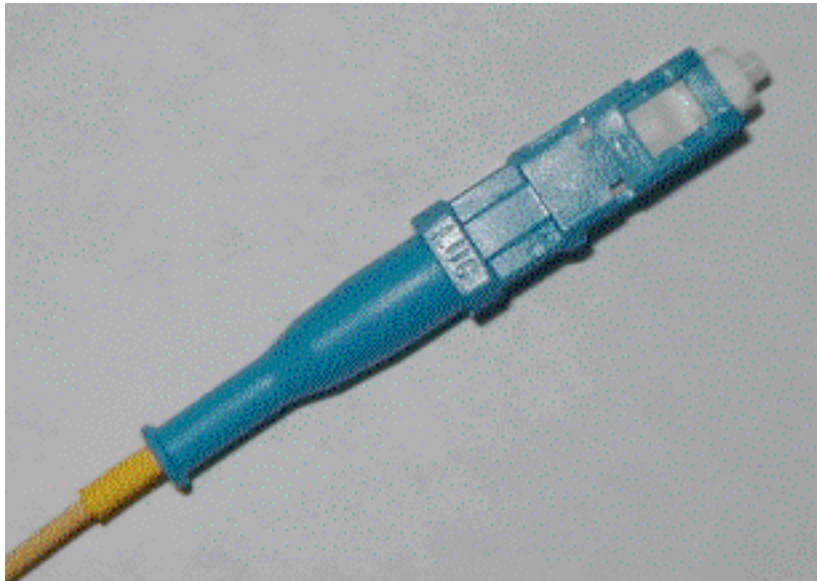
Equipment interconnection

This section describes equipment interconnection in Alcatel-Lucent 1663 ADMu.

Optical connectors

The optical port units provide optical connections through faceplate-mounted LC connectors. The LC connectors are designed as a duplex configuration that offers a high-density fiber-to-fiber pitch. If Alcatel-Lucent 1663 ADMu is mounted in a rack with doors you must use fiber connectors with angled boots.

The following figure illustrates the LC connectors and straight fiber connectors.



LBOs

If required, Alcatel-Lucent 1663 ADMu provides optical attenuation using light guide build-outs (LBOs) on the optical ports. All optical interfaces are factory-equipped with 0-dB LC-type connectors. The optical attenuation can be changed by replacing the LBO. LBOs are available for attenuations from 0.5-dB to 10 dB in 0.5-dB steps and from 10 dB to 20 dB in 1-dB steps. For a complete list of items and comcodes please refer to the Alcatel-Lucent 1663 ADMu engineering drawing ED8C948-10, described in .

Transceiver module

The optical port units of the 622-Mbit/s, 155-Mbit/s and 1-Gbit/s Ethernet circuit packs are equipped with transceiver modules: transmitter, receiver and connector are integrated in one component.

Electrical connectors

The following table shows the types of electrical connectors used for the Alcatel-Lucent 1663 ADMu interfaces.

Interface Function	Connector Type
Alarm (station)	D-Sub shielded - filtered
MDI/MDO	D-Sub shielded - filtered
LAN 1 (to local CIT)	RJ 45 crossed - shielded
LAN2, LAN3, LAN4	RJ 45 crossed - shielded
Racktop (alarm lamps)	D-Sub shielded - filtered
FAN Signals (from fan controller board)	D-Sub shielded
UPL internal interface (from user panel)	D-Sub shielded
G703 interface	D-Sub shielded
V11 interface	D-Sub shielded
Station clock interface	D-Sub shielded
STM-1 electrical	1.6 / 5.6 coax connector

7 Ordering

Overview

Purpose

This chapter provides an overview of the ordering process and the current software & license ordering information for the 1663 Add Drop Multiplexer-universal (Alcatel-Lucent 1663 ADMu).

Contents

Ordering information	7-2
--------------------------------------	-----

Ordering information

Alcatel-Lucent 1663 ADMu has been carefully engineered and all equipment kitted to simplify the ordering process. In this chapter the current software and license items and spare unit recommendations are shown, as available on the issue date of this document. For a complete and up-to-date list of the hardware items please refer to the Engineering Drawings described below.

Contact and further information

For all questions concerning ordering of Alcatel-Lucent 1663 ADMu, for any information about the marketable items and their comcodes, and for ordering the equipment please contact your Account Executive for Alcatel-Lucent 1663 ADMu or your Alcatel-Lucent local customer team.

Engineering Drawing

For a complete and up-to-date list of the orderable hardware items with the respective comcodes please refer to the Engineering Drawing ED8C937-10, that you can

- find appended at the end of this document, up to date of the printing date (if it was ordered at the Customer Information Center (CIC))
- order in the latest version at CIC under <http://www.cic.lucent.com/drawings.html> with the order code ED8C937-10.

Orderable hardware

The following table is intended to give an overview of the orderable hardware (racks, assembly kits, circuit packs).

Item code	Short name	Description	Comcode
<i>Racks</i>			
	Rack 2200 “new style”	ETSI Rack 600 × 300 × 2200	848929451
	Rack 2600 “new style”	ETSI Rack 600 × 300 × 2600	848929469
		Mounting kit, ADM-Unite, in ETSI-2 rack	848914271
		Mounting kit, metro ADM, in ETSI-2 rack	848968558
<i>Subracks</i>			
		Hardware kit, Metro ADM, connector, Misc IO	848937165
		Hardware kit, Metro ADM, UNIV shelf	848949632

Item code	Short name	Description	Comcode
		Kit, 1663 ADMU, EEPROM upgrade, EHA2	849053012
EHA2	Subrack 9TAD	Subrack 9TAD	849038294
MIOL	MIO-L	Misc. IO unit left	848862363
MIOR	MIO-R	Misc. IO unit right	848862389
MIOR-J	MIOR-J	Misc. IO unit right, Japan version	848990073
	Mounting Kit	ETSI600 Mounting bracket kit	848927224
FAN	FAN	Fan Unit	848862355
	Fan Filter	Fan Filter	848904108
	Heatbaffle	Heatbaffle	848862348
	Filler Blank	Blank filler for Fan Unit position	848900056
<i>Power supply</i>			
PU	PU	Power Unit	848862322
	PDP	Power Distribution Panel	848862330
<i>System Controller Unit</i>			
LKA1D	SC1	System Controller Plus	109307116
LKA20	SC3	Circuit pack, 1663 ADMU, LKA20, SC3 SYSCTL	109552984
LKA21	SC2	Circuit pack, 1663 ADMU, LKA21, SYSTEM CONTRL, SC2	109202465
LKA21B	SC2	Circuit pack, 1663 ADMU, LKA21B, SC2, SYSCTL	109600148
<i>STM-64 optical line port units (Core Units 10G application)</i>			
LKA28		Circuit Pack, 1663 ADMU, LKA28, STM64L64.2B/3	109281634
LKA281		Circuit Pack, 1663 ADMU, LKA281, SI-U64, 2C2/1	109552935
LKA29		Circuit Pack, 1663 ADMU, LKA29, STM64S64.2B3B	109281642
LKA350		Circuit Pack, 1663 ADMU, LKA350, SI-V64.2C2/1	109496786
LKA49		Circuit pack, 1663 ADMU, LKA49, SI-I64, 1RC2/1	109487900

Item code	Short name	Description	Comcode
LKA60		Circuit pack, 1663 ADMU, LKA60, SI-64XFP C2/1	109624494
LKA62		Circuit pack, 1663 ADMU, LKA62, SI-64XFP C4/2	109624510
OM10G-L64.2		Optical module, 1663 ADMU, OM10G-L64.2	109623892
OM10G-S64.2		Optical module, 1663 ADMU, OM10G-S64.2	109623900
OM10G-VSR2		Optical module, 1663 ADMU, OM10G-I64.1	109623884
<i>STM-16 optical line port units (Core Units 2.5G application)</i>			
LKA48		CKT Module, 1663 ADMU, LKA48, 4XSTM-16, SFP	109337386
LKA481		Circuit pack, 1663 ADMU, LKA481, SI-16SFPC3/1	109552943
LKA482		Circuit pack 1663 ADMU, LKA482, SI-16 VH C3/1 OBA	109552950
OM16CL51		Optical module, 1663 ADMU, OM16CL51, SFP	109508762
OM16CL53		Optical module, 1663 ADMU, OM16CL53, SFP	109508770
OM16CL55		Optical module, 1663 ADMU, OM16CL55, SFP	109508788
OM16CL57		Optical module, 1663 ADMU, OM16CL57, SFP	109508796
OM16CS51		Optical module, 1663 ADMU, OM16CS51, SFP	109508846
OM16CS53		Optical module, 1663 ADMU, OM16CS53, SFP	109508853
OM16CS55		Optical module, 1663 ADMU, OM16CS55, SFP	109508861
OM16CS57		Optical module, 1663 ADMU, OM16CS57, SFP	109508879
OM2G5-I16		Optical module, 1663 ADMU. OM2G5-I16, SFP	109487686

Item code	Short name	Description	Comcode
OM2G5-L16.1		Optical module, 1663 ADMU. OM2G5-I16.1, SFP	109487702
OM2G5-L16.2		Optical module, 1663 ADMU. OM2G5-I16.2, SFP	109487710
OM2G5-S16.1		Optical module, 1663 ADMU. OM2.5G-S16.1	109583963
<i>Optical tributary port units</i>			
LKA6	SI-S1.1/4	4 × STM-1 S1.1, 1310 nm (ITU-T G.957; 0 ... 12 dB)	108680042
LKA11	SI-S4.1/1	1 × STM-4 S4.1, 1310 nm (ITU-T G.957; 0 ... 12 dB)	109047811
LKA12B	IP-GE/2	2 × GbE	109570994
LKA13	SI-L1.2/4	4 × STM-1 L1.2, 1550 nm (ITU-T G.957; 10 ... 28 dB)	109202291
LKA14	SI-L4.2/1	1 × STM-4 L4.2, 1550 nm (ITU-T G.957; 10 ... 24 dB)	109202309
LKA39		Circuit pack, 1663 ADMU, LKA39, STM1/4 SFP	109281840
LKA50		Circuit pack, 1663 ADMU, LKA50, SIX16 SFP/1	109484345
LKA146		Circuit pack, 1663 ADMU, LKA146, SI-16/4/1/M	109642629
LKA412		Circuit pack, 1663 ADMU, LKA412, IP-LAN/12	109552992
LKA53		Circuit pack, 1663 ADMU, LKA53, IP-GE/2F-OS	109492678
LKA58		Circuit pack, 1663 ADMU, LKA58, IP-GE/8F	109645101
OM100B-LX		Optical module, 1663 ADMU, OM100B-LX	109587527
OM155-M-E		Optical module, 1663 ADMU, OM155M-E	109629071
OM155M-L1.1		Optical module, 1663 ADMU, OM155M-L1.1, SFP	109487652
OM155M-L1.2		Optical module, 1663 ADMU, OM155M-L1.2, SFP	109487660

Item code	Short name	Description	Comcode
OM155M-S1.1		Optical module, 1663 ADMU, OM155M-S1.1, SFP	109487678
OM155SF1		Optical module, 1663 ADMU, OM155SF1	109575555
OM155SF2		Optical module, 1663 ADMU, OM155SF2	109575563
OM155SF3		Optical module, 1663 ADMU, OM155SF3	109583948
OM155SF4		Optical module, 1663 ADMU, OM155SF4	109583955
OM622M-L4.1		Optical module, 1663 ADMU, OM622M-L4.1, SFP	109487728
OM622M-L4.2		Optical module, 1663 ADMU, OM622M-L4.2, SFP	109487736
OM622M-S4.1		Optical module, 1663 ADMU, OM622M-S4.1, SFP	109487744
OMGBE-SX	SX-GBE	SX-Gigabit Ethernet Module	109294702
OMGBE-LX	LX-GBE	LX-Gigabit Ethernet Module	109294694
OMGBE-ZX	ZX-GBE	ZX-Gigabit Ethernet Module	109534883
<i>Electrical tributary circuit packs</i>			
LKA2	PI-E1/63	63 × 2 Mbit/s	108676644
LKA3	SI-1/4	4 × STM-1e (155 Mbit/s)	108676651
LKA4	IP-LAN/8	8 × Ethernet 10/100 Mbit/s	108676669
LKA8B	PI-E3DS3/12	12 × E3/DS3 (34/45 Mbit/s, switchable)	109311977
LKA16		Circuit pack, Metro ADM, LKA16, PI-DS1/63	109464206

Orderable paddle boards

The following paddle boards are available for a Alcatel-Lucent 1663 ADMu subrack:

Item code	Short name	Description	Use with	Comcode
PBE3	PB-E1/P75/63	63 × 2 Mbit/s, 75 Ω (1:N protected/un-protected)	PI-E1/63	109132120
PBE3D	PB-E1/P75/63	63 × 2 Mbit/s, 75 Ω (sub-D, 1:N protected/un-protected)	PI-E1/63	109585620
PBE4	PB-E1/P120/63	63 × 2 Mbit/s, 120 Ω (1:N protected/un-protected)	PI-E1/63	109199521
PBE41	PB-E1/P120/63	63 × 2 Mbit/s, 120 Ω (1:N protected/un-protected)	PI-E1/63	109536763

Item code	Short name	Description	Use with	Comcode
PBG1	PB-LAN/100/8	8 × LAN, 100 Ω	IP-LAN/8	108720228
PBG2	PB-1/P75/4S	4 × STM-1e (1:N protected/un-protected)	SI-1/4	108746033
PBG4	PB-E3DS3/75/12	12 × E3/DS3 (34/45 Mbit/s)	PI-E3DS3/12	108905597
PBE5	PB-E1/75/63	63 × 2 Mbit/s, 75 Ω (unprotected)	PI-E1/63	109290031
PBE6	PB-E1/120/63	63 × 2 Mbit/s, 120 Ω (unprotected)	PI-E1/63	109290049
PBE12		Paddle board, 1663, ADMU, PBE12		109464222
PBL12		Paddle board, 1663 ADMU, PBL12, PB-LAN100/12		109553685
PBO12		Paddle board, 1663 ADMU, PBO12, PB-OPT/12SFP		109553693
PBP1	PB-E3DS3/P75/12	12 × E3/DS3 (34/45 Mbit/s)	PI-E3DS3/12	109209262
PBP2	PB-1/P75/4D	4 × STM-1e (1+1 protected)	SI-1/4	109209270
PBP5		Paddle board, 1663 ADMU, PBP5		109285478
PBP6		Paddle board, 1663 ADMU, PBP6		109285486
PBP7		Paddle board, 1663 ADMU, PBP7		109399592
PBP8		Circuit module, 1663 ADMU, PBP8, 6XSTM-10		109481333
PBP9		Circuit module, 1663 ADMU, PBP9, PB10/E/6-4/6		109667659

Software & license items

The following table lists the ordering information concerning the current software and license items for Alcatel-Lucent 1663 ADMu.

Item code	Description	Short name	Comcode
SCA129	Syst SW/init. Downld Metropolis STM-16 CI	ID.SW-CI	109337139
SCA130	Syst SW Tape/CD Metropolis STM-16 CI	T/CD.SW-CI	109337147
SCA129B	Syst SW/init. Downld Metropolis STM-16 Core R1.0	ID.SW R1.0	109337154
SCA130B	Syst SW Tape/CD Metropolis STM-16 Core R1.0	T/CD.SW R1.0	109337162
SCA131B	Syst SW/init. Downld Metropolis STM-64 Core R1.0	ID SW R1.0	109337170
SCA132B	Syst SW Tape/CD Metropolis STM-64 Core R1.0	T/CD.SW R1.0	109337188

Item code	Description	Short name	Comcode
SCA354	Software MADM Universal R5.1 STM-16 Core including Data features supporting controller LKA21	ID.SW R5.1 STM-16	109578328
SCA355	Software CD MADM Universal STM-16 Core R5.1 including Data features supporting controller LKA21	CD.SW R5.1 STM-16	109578310
SCA356	Software MADM Universal R5.1 Basic STM-16, STM-64 supporting controller LKA1D and LKA21	ID.SW R5.1 Basic STM-16, STM-64	109578161
SCA357	Software CD MADM Universal R5.1 Basic STM-16, STM-64 supporting controller LKA1D and LKA21	CD.SW R5.1 Basic STM-16, STM-64	109578153
SCA358	Software MADM Universal R5.1 STM-16, STM-64 Extended Version supporting controller LKA21 and Data features	ID.SW R5.1 Extended STM-16, STM-64	109578229
SCA359	Software CD MADM Universal R5.1 STM-16, STM-64 Extended Version supporting controller LKA21 and Data features	CD.SW R5.1 Extended STM-16, STM-64	109578211
SCA370	MADM Universal R5.2 System Software W/init. Downld LKA481/482 STM-16 Core - including Data features, supporting LKA21 .	ID SW R5.2	109626499
SCA371	MADM Universal R5.2 System Software CD LKA481/482 STM-16 Core - including Data features, supporting LKA21 R5.2 (SCA371) .	CD SW R5.2	109626507
SCA372	MADM Universal R5.2 System Software Basic STM-16, STM-64 Core - supporting LKA1D and LKA21 R5.2 (SCA372).	ID SW R5.2	109629063
SCA373	MADM Universal R5.2 System Software CD Basic STM-16, STM-64 core - supporting LKA1D and LKA21 R5.2 (SCA373).	CD SW R5.2	109629055
SCA374	MADM Universal R5.2 System Software / init. Downld STM-16, STM-64 Core - Extended version including Data features, supporting LKA21 R5.2 (SCA374).	ID SW R5.2	109626044
SCA375	MADM Universal R5.2 System Software CD STM-16, STM-64 Core - Extended version including Data features, supporting LKA21 R5.2 (SCA375).	CD SW R5.2	109626051
SCA360	Software MADM Universal R6.0 STM-16 Core including Data features supporting controller LKA21	ID.SW R6.0 STM-16	109640730
SCA361	Software CD MADM Universal STM-16 Core R6.0 including Data features supporting controller LKA21	CD.SW R6.0 STM-16	109640748
SCA362	Software MADM Universal R6.0 Basic STM-16, STM-64 supporting controller LKA1D and LKA21	ID.SW R6.0 Basic STM-16, STM-64	109640763

Item code	Description	Short name	Comcode
SCA363	Software CD MADM Universal R6.0 Basic STM-16, STM-64 supporting controller LKA1D and LKA21	CD.SW R6.0 Basic STM-16, STM-64	109640789
SCA364	Software MADM Universal R6.0 STM-16, STM-64 Extended Version supporting controller LKA21	ID.SW R6.0 Extended STM-16, STM-64	109640797
SCA365	Software CD MADM Universal R6.0 STM-16, STM-64 Extended Version supporting controller LKA21	CD.SW R6.0 Extended STM-16, STM-64	109640805
SCA366	Software MADM Universal R6.0 STM-16, STM-64 Enhanced Version supporting controller LKA20	ID.SW R6.0 Enhanced STM-16, STM-64	109640813
SCA367	Software CD MADM Universal R6.0 STM-16, STM-64 Enhanced Version supporting controller LKA20	CD.SW R6.0 Enhanced STM-16, STM-64	109640821
SCA380	Software Alcatel-Lucent 1663 ADMu (MADM Universal) R6.1 STM-16 Core including Data features supporting controller LKA21	ID.SW R6.1 STM-16	109658302
SCA381	CD Alcatel-Lucent 1663 ADMu (MADM Universal) STM-16 Core R6.1 including Data features supporting controller LKA21	CD.SW R6.1 STM-16	109658310
SCA382	Software Alcatel-Lucent 1663 ADMu (MADM Universal) R6.1 Basic STM-16, STM-64 supporting controller LKA1D and LKA21	ID.SW R6.1 Basic STM-16, STM-64	109658328
SCA383	CD Alcatel-Lucent 1663 ADMu (MADM Universal) R6.1 Basic STM-16, STM-64 supporting controller LKA1D and LKA21	CD.SW R6.1 Basic STM-16, STM-64	109658336
SCA384	Software Alcatel-Lucent 1663 ADMu (MADM Universal) R6.1 STM-16, STM-64 Extended Version supporting controller LKA21 and Data features	ID.SW R6.1 Extended STM-16, STM-64	109658344
SCA385	CD Alcatel-Lucent 1663 ADMu (MADM Universal) R6.1 STM-16, STM-64 Extended Version supporting controller LKA21 and Data features	CD.SW R6.1 Extended STM-16, STM-64	109658351
SCA386	Software Alcatel-Lucent 1663 ADMu (MADM Universal) R6.1 2-Port-STM-64 Enhanced Version supporting controller LKA20	ID.SW R6.1 Enhanced Core	109658369

Item code	Description	Short name	Comcode
SCA387	CD Alcatel-Lucent 1663 ADMu (MADM Universal) R6.1 2-Port-STM-64 Enhanced Version supporting controller LKA20	CD.SW R6.1 Enhanced Core	109658377

Lightguide build-outs and cables

For a complete list of the available lightguide build-outs (LBOs, optical attenuating adapters) and of the different cables for Alcatel-Lucent 1663 ADMu with the relative comcodes refer to the Alcatel-Lucent 1663 ADMu engineering drawing ED8C937-10, described in [“Engineering Drawing”](#) (p. 7-2).

Documentation items

For the order codes of the current Alcatel-Lucent 1663 ADMu documentation please refer to [“Related documentation”](#) (p. xvi).

8 Product support

Overview

Purpose

This chapter provides information about the support for the Alcatel-Lucent 1663 Add Drop Multiplexer-universal (Alcatel-Lucent 1663 ADMu).

Contents

Installation services	8-2
Engineering services	8-4
Maintenance services	8-7
Technical support	8-9
Documentation support	8-11
Training support	8-12
Training courses	8-13

Installation services

This section describes the installation services available to support Alcatel-Lucent 1663 ADMu.

Alcatel-Lucent offers Installation Services focused on providing the technical support and resources needed to efficiently and cost-effectively install your network equipment. Alcatel-Lucent Installation Services provide unparalleled network implementation expertise to help install your wire line and wireless networks. We use state-of-the-art tools and technology, and highly skilled technicians to install your equipment and help to ensure the timely and complete implementation of your network solution. By relying on our installation experts, we can rapidly build or expand your network, help manage the complexity of implementing new technologies, reduce operational costs, and help improve your competitive position by enabling your staff to focus on the core aspects of your business rather than focusing on infrastructure details.

Description

Within Alcatel-Lucent' overall Installation Services portfolio, Basic Equipment Installation and Site Supplemental Installation are the two services most closely linked to the initial deployment of Alcatel-Lucent' 1663 ADMu product into your network.

Basic Equipment Installation

Provides the resources, experience and tools necessary to install the Alcatel-Lucent 1663 ADMu product into your network. We assemble, cable and wire, and test the Alcatel-Lucent 1663 ADMu, helping to ensure it is fully functioning as engineered and specified.

Site Supplemental Installation

Enhances the Basic Equipment Installation service by performing supplemental work that is unique to your specific site location, configuration, or working requirements. Includes installation of material other than the main footprint product (such as earthquake bracing); provision of services unique to your site (such as, hauling and hoisting, multi-floor cabling, rental and local purchases) or as may be required by your operations (such as, overtime to meet your compressed schedules, night work requested by you, abnormal travel expenses, abnormal transportation or warehousing); and any other additional effort or charges associated with your environment.

Benefits

When implementing our Installation Services, Alcatel-Lucent becomes a strategic partner in helping you realize your long-term strategies and achieve your business and technological goals. We combine our state-of-the-art technical background, high-quality processes, expertise in the latest technologies, knowledge of revolutionary equipment breakthroughs, and feature-rich project management tools to get your network up and

running - quickly, efficiently, and reliably. With Alcatel-Lucent, you can concentrate on your core business, while we apply our years of knowledge and experience to installing your network.

Our Installation Services let you:

- *Rapidly expand your network* — by turning hardware into working systems, with the capability to deploy multiple networks in parallel rollouts
- *Reduce operational expense* — of recruiting, training, and retaining skilled installation personnel
- *Leverage Alcatel-Lucent's resources and expertise* — by utilizing our team of knowledgeable and fully equipped experts that implement projects of any size, anywhere around the world
- *Implement quality assurance* — through our total quality management approach
- *Reduce operational expenses* — by avoiding the purchase of the necessary state-of-the-art tools, test equipment, specialized test software, and spare parts that Alcatel-Lucent Installation Services utilize
- *Ensure high-quality support* — with Alcatel-Lucent's extensive support structure, including proven methods and procedures, mechanized tools, professional training, technical support, and access to Bell Labs.

Reference

For more information about specialized installation services and/or database preparation, please contact your local Account Executive.

Engineering services

This section describes the engineering services available to support Alcatel-Lucent 1663 ADMu.

Alcatel-Lucent Worldwide Services (LWS) offers Engineering Services focused on providing the technical support and resources needed to efficiently and cost-effectively engineer your network equipment. We provide the best, most economical equipment solution by ensuring your network equipment is configured correctly, works as specified, and is ready for installation upon delivery. With our proven, end-to-end solutions and experienced network engineering staff, Alcatel-Lucent Worldwide Services is the ideal partner to help service providers engineer and implement the technology that supports their business.

Description

Within Alcatel-Lucent' overall Engineering Services portfolio, Site Survey, Basic Equipment Engineering, Site Engineering, and Site Records are the four services most closely linked to the initial deployment of Alcatel-Lucent 1663 ADMu into your network; each is described below.

Site Survey

A Site Survey may be required to collect your site requirements needed for proper equipment engineering. If adequate site requirements and records are not available up front, a site survey would be performed to collect information required for configuration of the equipment and integration of the equipment into the site.

Basic Equipment Engineering

Ensures that the correct footprint hardware is ordered and that the ordered equipment is configured for optimal performance in the network for the customer. Alcatel-Lucent Engineering configures equipment requirements based on inputs from the customer order, completed questionnaires, and/or site survey data. The decisions as to specific equipment needs are based on each component's functionality and capacity, and the application of engineering rules associated with each component.

Site Engineering

Ensures that the correct site material is ordered and that the optimal equipment layout for the installation of the ordered equipment in the customer's site is determined. Site Engineering will be used in assisting the customer with determining the necessary site conditions, layout and equipment required to properly install/integrate the footprint hardware components into a specific location.

Site Records

Site Records Service provides detailed record keeping which accurately documents the physical placement and configuration of specified customer equipment. Depending on the customer request, this can involve the initial creation of site records, updating of existing records, or ongoing maintenance of the customer's records.

Benefits

When implementing our Engineering Services, Alcatel-Lucent becomes a strategic partner in helping you realize your long-term strategies and achieve your business and technological goals. Our Engineering Services portfolio delivers quick, responsive support, with state-of-the-art tools, top technicians and end-to-end services to help you engineer an optimal network solution. Whether you are looking to outsource your total engineering effort or simply supplement basic coverage gaps, our portfolio of services provides the flexible level of support you need. With Alcatel-Lucent, you can concentrate on your core business while we apply our years of knowledge and experience in engineering your equipment solutions.

Our Engineering Services let you:

- *Rapidly expand your network* — by turning products into working systems, with the capability to deploy multiple networks in parallel rollouts
- *Reduce costs* — by determining the most cost-effective network configuration and optimal use of office space when planning and providing an equipment solution
- *Reduce operational expense* — of recruiting, training, and retaining skilled engineering personnel
- *Leverage Alcatel-Lucent's resources and expertise* — by utilizing our team of knowledgeable and fully equipped experts that can plan, design, and implement projects of any size, anywhere around the world
- *Implement quality assurance* — through our total quality management approach and use of ISO-certified processes
- *Provide one-stop shopping* with a globally deployed engineering workforce, saving the time, delays and coordination challenges of dealing with multiple equipment vendors and service providers
- *Keep pace with rapidly changing technology* — by supporting the latest technologies and equipment breakthroughs, including Alcatel-Lucent' and other vendor's products
- *Ensure high-quality support* — with Alcatel-Lucent' extensive support structure, including proven methods and procedures, mechanized tools, professional training, technical support, and access to Bell Labs
- *Maintain and track vital office records* — keep track of equipment locations and connections.

Reference

For more information about specialized engineering services, engineering consultations, and/or database preparation, please contact your local Account Executive.

Maintenance services

This section describes the maintenance services available to support Alcatel-Lucent 1663 ADMu.

Description

Maintenance Services is composed of three primary services to support your maintenance needs. The services are

- Remote Technical Support Service (RTS)
- On-site Technical Support Service (OTS)
- Repair and Exchange Services (RES)

Remote Technical Support Service (RTS)

RTS provides remote technical support and Software Patches and Software Updates, as available, for deployed Alcatel-Lucent network elements to help cost-effectively maximize network availability and performance. With this service, system engineers deliver remote support via phone or modem connection for rapid response, diagnoses, and resolution of system outages and issues.

Support from our expert remote system engineers will:

- enable trouble tracking, resolution, and restoration
- answer technical product-related questions and specific feature and function questions
- help identify and apply available Software Patches and Software Updates on Covered Products.

Single Point of Contact — access to Alcatel-Lucent engineers and information to help identify and resolve technical issues via phone or modem.

Alcatel-Lucent OnLine Customer Support —

- web-based tracking and management of Assistance Requests (AR)
- self-help services i.e., Knowledge Database, Documentation, E-mail.

Service Options —

- Premium RTS: 24 hours a day, 7 days a week (24 × 7)
- Standard RTS: 8 hours a day (8 am – 5 pm Client local time) 5 days per week (8 × 5), Monday - Friday, excluding Alcatel-Lucent holidays.

On-site Technical Support (OTS)

OTS provides cost-effective support for Alcatel-Lucent products including systems that incorporate select third-party equipment.

- OTS Dispatched Technician — Alcatel-Lucent will dispatch a technician to your location to provide on-site assistance. We offer multiple coverage options to meet your needs from someday dispatch, with 24 × 7 or 8 × 5 response, to next-business-day dispatch, with 8 × 5 response.
- OTS Dedicated Technician — an Alcatel-Lucent technician works at your location to perform daily maintenance tasks that keep your system running at peak performance.
- OTS Dedicated Engineer — an expert Alcatel-Lucent engineer provides you with customized on-site support and assistance in areas such as maintenance of new equipment, administration of software releases, and support with your administrative processes.

Repair and Exchange Services (RES)

RES provides rapid replacement or repair of your defective hardware, eliminating the need for you to purchase and maintain a costly spares inventory. These services can dramatically reduce investment capital and recurring operating expenses while helping to assure maximum network availability. RES offers

- Same Day Advanced Exchange — delivers a replacement part to Customer equipment site within four hours to enable rapid restoration of service to equipment and the ability to return parts to Alcatel-Lucent later. We have established an infrastructure of multi-point, overlapping-coverage field stocking locations and automated electronic process controls that help us approach a 100% on-time delivery track record.
- Next Day Advanced Exchange — delivers a replacement part on the very next day, 7 days a week, including holidays. Consider what is at risk when you compare this service to a “business day” program.
- Return for Repair — is an economical solution, which allows the Customer to return your field-replaceable parts to Alcatel-Lucent for repair or replacement. Alcatel-Lucent returns them in a very timely manner and without unexpected repair fees.

Contact

For maintenance service contact information please refer to [“Technical support”](#) (p. 8-9).

Technical support

This section describes the technical support available for Alcatel-Lucent 1663 ADMu.

Services

Alcatel-Lucent 1663 ADMu is complemented by a full range of services available to support planning, maintaining, and operating your system. Applications testing, network integration, and upgrade/conversion support is also available.

Technical support groups

Technical support is available through

- Local/Regional Customer Support (LCS/RCS)
- Technical Support Service (TSS).

Contacting your LCS/RCS

LCS/RCS personnel troubleshoot field problems 24 hours a day over the phone and on site (if necessary) based on Alcatel-Lucent Service Contracts:

for north and south America (NAR and CALA)	Customer Technical Assistance Management (CTAM): <ul style="list-style-type: none"> • +1 866 Lucent8 (prompt#1) • +1 630 224 4672 (from outside the United States)
for Europe, Africa, Asia and the pacific region (EMEA and APAC)	International Customer Management Centre (ICMC): <ul style="list-style-type: none"> • +353 1 692 4579 (toll number) • 00 800 00Lucent (toll free number in most EMEA countries)

For technical assistance, call your Local/Regional Customer Support Team. If the request cannot be solved by LCS/RCS, it will be escalated to the central Technical Support Service (TSS) teams in Merrimack Valley, USA or Nuremberg, Germany.

Technical support service

Alcatel-Lucent Technical Support Service (TSS) organization is committed to providing customers with quality product support services. Each segment of the TSS organization regards the customer as its highest priority and understands your obligations to maintain quality services for your customers.

The TSS team maintains direct contact with Alcatel-Lucent manufacturing, Bell Laboratories development, and other organizations to assure fast resolution of all assistance requests.

Technical support platform

A global online trouble tracking system is used by all support teams to track customer assistance requests. The system communicates details about product bulletins, troubleshooting procedures, and other critical information to customers. All details of a request are entered into this database until closure. For online access to your trouble tickets via the web please contact your local support team.

Reference

For additional information about technical support, please contact your Alcatel-Lucent Customer Team.

Documentation support

Alcatel-Lucent provides comprehensive product documentation tailored to the needs of the different audiences. An overview of the documentation set can be found at “[Related documentation](#)” (p. xvi).

Customer comment

As customer satisfaction is extremely important to Alcatel-Lucent, every attempt is made to encourage feedback from customers about our information products. Thank you for your feedback.

To comment on this information product online, go to <http://www.lucent-info.com/comments> or email your comments to ctiphotline@lucent.com.

You can also send or fax comments about this document to:

Alcatel-Lucent

Thurn-und-Taxis-Str. 10

90411 Nürnberg, Germany

Fax: +49 911 526 3545.

Training support

To complement your product needs, the Alcatel-Lucent IP&T organization offers a formal training package, with the single training courses scheduled regularly at Alcatel-Lucent' corporate training centers or to be arranged as on-site trainings at your facility.

Registering for a course or arranging an on-site training

To enroll in a training course at one of the Alcatel-Lucent corporate training centers or to arrange an on-site training at your facility (suit casing), please contact:

Asia, Pacific, and China	Training Center Singapore, Singapore voice: +65 6240 8394 fax: +65 6240 8017
Central America and Latin America	Training Center Mexico City, Mexico voice: +52 55 527 87187 fax: +52 55 527 87185
Europe, Middle East, and Africa	Training Center Nuremberg, Germany voice: +49 911 526 3831 fax: +49 911 526 6142
North American Region	Training Center Altamonte Springs, USA voice: +1-888-582-3688 - prompt 2 (+1-888-LUCENT8 - prompt 2).

To review the available courses, to enroll for a training course at one of Alcatel-Lucent' corporate training centers, or to obtain contact information please visit:

- <https://www.lucent-product-training.com>.

Training courses

This section describes the Alcatel-Lucent 1663 ADMu training courses:

As a prerequisite for all courses the students should be familiar with basic SDH principles.

SDH introduction course (TR5951)

This course is designed for technical personnel who need to know the equipment's functional and physical features and the applications and possibilities of the Alcatel-Lucent 1663 ADMu system and its management system. The course's high-level approach makes it suitable for personnel from service, purchase and planning departments as well.

Duration: 2 days

Alcatel-Lucent 1663 ADMu Application and Planning course (TR6000)

This course provides an introduction to the features, network applications, unit descriptions, and configurations of the Alcatel-Lucent 1663 ADMu.

The intended audience for this course is technical personnel who need to know the functional and physical features of the equipment and the application possibilities of the system. The course may also be of interest to personnel from sales, logistics, service, purchasing, or planning environments.

Duration: 1 day

Alcatel-Lucent 1663 ADMu Operation and Maintenance (TR6001)

This course provides an introduction to the features, network applications, unit descriptions and configurations of the Alcatel-Lucent 1663 ADMu. The course covers installation, testing, provisioning of equipment, monitoring of events, and maintenance using the ITM-CIT.

Duration: 5.days

9 Quality and reliability

Overview

Purpose

This chapter presents Alcatel-Lucent's quality policy and describes the reliability of the Alcatel-Lucent Add Drop Multiplexer-universal (Alcatel-Lucent 1663 ADMu).

Contents

Quality	9-2
Alcatel-Lucent' commitment to quality and reliability	9-3
Ensuring quality	9-5
Environmental aspects	9-6
Conformity statements	9-7
Reliability specifications	9-12
General specifications	9-13
Reliability program	9-14
Reliability specifications	9-15

Quality

Overview

Purpose

This section describes Alcatel-Lucent' commitment to quality and reliability and how quality is ensured.

Contents

Alcatel-Lucent' commitment to quality and reliability	9-3
Ensuring quality	9-5
Environmental aspects	9-6
Conformity statements	9-7

Alcatel-Lucent' commitment to quality and reliability

Alcatel-Lucent is committed to providing our customers with products of the highest level of quality and reliability in the industry. Alcatel-Lucent 1663 ADMu is a prime example of this commitment.

For Alcatel-Lucent, improvement of quality has long been a vehicle to improve customer satisfaction. For many years, Alcatel-Lucent' quality programs have been focused on improving products and services. Total Quality programs and benchmarking are important tools in our continuous improvement journey. As ISO-9000 is a global standard for quality management and assurance, Alcatel-Lucent wants to use ISO-9000 certification to demonstrate to its customers the company's commitment to producing the best quality products and services. We believe that ISO-9000 registration is an independent assessment of the company's quality system is particularly useful to demonstrate that commitment to quality.

In line with this policy, all major transmission facilities in the USA, Europe and China are ISO-9000 certified. In line with the above, Alcatel-Lucent' policy statement in this respect is as follows.

Quality policy

Alcatel-Lucent is committed to achieving sustained business excellence by integrating quality principles and methods into all we do at every level of our company to

- Anticipate and meet customer needs and exceed their expectations, every time
- Relentlessly improve how we work – to deliver the world's best and most innovative communications solutions – faster and more cost-effectively than our competitors

Reliability in the product life-cycle

Each stage of the life cycle of Alcatel-Lucent 1663 ADMu relies on people and processes that contribute to the highest product quality and reliability possible. The reliability of a product begins at the earliest planning stage and is controlled by the product life cycle process and therefore monitored and reviewed during:

- Product architecture
- Design and simulation
- Documentation
- Prototype testing during development
- Design change control
- Manufacturing and product testing (including 100% screening)
- Product quality assurance
- Product field performance
- Product field return management

The R&D community of Alcatel-Lucent is certified by ISO 9001.

Ensuring quality

This section describes the critical elements that ensure product quality and reliability within

- Product development
- Manufacturing

Critical elements of product development

The product development group's strict adherence to the following critical elements ensures the product's reliability

- Design standards
- Design and test practices
- Comprehensive qualification programs
- System-level reliability integration
- Reliability audits and predictions
- Development of quality assurance standards for manufactured products

Critical elements of manufacturing

Note: Quality Representatives are also present at manufacturing locations to ensure shipped product quality.

The manufacturing and field deployment groups' strict adherence to the following critical elements ensures the product's reliability

- Pre-manufacturing
- Qualification
- Accelerated product testing
- Product screening
- Production quality tracking
- Failure mode analysis
- Feedback and corrective actions

Environmental aspects

EH&S management

Alcatel-Lucent has elected to move forward with ISO 14001 for environmental management systems for its operations and facilities. In fact, as part of our environmental, health, and safety goals, we have committed to have in place EH&S management systems by the year 2003 that are based on recognized standards such as ISO 14001 for at least 95% of our products, services, operations and facilities.

At the end of 1998, 23 Alcatel-Lucent facilities, operations, and services were awarded ISO 14001 certification by third-party auditors. The two manufacturing facilities of the optical networking group (the business unit that makes the Alcatel-Lucent 1663 ADMu) had already received ISO 14001 certification in September 1998.

Alcatel-Lucent's environmental commitment is demonstrated through its structure of environmental and health and safety personnel throughout all levels of the company. A company officer supports the setting of corporate goals and policies, and a Global Environmental Health and Safety Vice President oversees environmental aspects for operations worldwide.

In addition, each of the business units (including the optical networking group, the unit that manufactures the Alcatel-Lucent 1663 ADMu) has its own responsible environment and safety officer. Finally, each facility has environmental managers who are for compliance with and the implementation of environmental management systems such as ISO 14001.

Conformity statements

CE conformity

Hereby, Alcatel-Lucent declares that the product

Alcatel-Lucent 1663 ADMu, Release 6.1

is in compliance with the essential requirements and other relevant provisions of the following Directive:

Directive 1999/5/EC of 9 March 1999 on Radio and Telecommunication Terminal Equipment of the European Parliament and of the Council

is tested and conforms with the essential requirements for protection of health and the safety of the user and any other person and Electromagnetic Compatibility. Conformity is indicated by the CE mark affixed to the product. For more information regarding CE marking and Declaration of Conformity (DoC), please contact your local Alcatel-Lucent Customer Service Organization.

This product is in conformity with Article 3, Paragraph 3 of the R&TTE Directive and interworks in networks with other equipment connected to the optical telecommunication network.

Conformance with specifications of optical interfaces is granted as stated in the Official Journal of the European Union.

Compliance Statement in other European Languages

English

Alcatel-Lucent hereby declares that Alcatel-Lucent 1663 ADMu is in compliance with the essential requirements and other relevant provisions of Directive 1999/5/EC.

Finnish

Alcatel-Lucent vakuuttaa täten että Alcatel-Lucent 1663 ADMu tyyppinen laite on direktiivin 1999/5/EY oleellisten vaatimusten ja sitä koskevien direktiivin muiden ehtojen mukainen.

Dutch

Bij deze verklaart Alcatel-Lucent dat deze Alcatel-Lucent 1663 ADMu voldoet aan de essentiële eisen en aan de overige relevante bepalingen van Richtlijn 1999/5/EC.

French

Par la présente, Alcatel-Lucent déclare que ce Alcatel-Lucent 1663 ADMu est conforme aux exigences essentielles et aux autres dispositions de la directive 1999/5/CE qui lui sont applicables.

Swedish

Härmed intygar Alcatel-Lucent att denna Alcatel-Lucent 1663 ADMu står i överensstämmelse med de väsentliga egenskapskrav och övriga relevanta bestämmelser som framgår av direktiv 1999/5/EG.

Danish

Undertegnede Alcatel-Lucent erklærer herved, at følgende udstyr Alcatel-Lucent 1663 ADMu overholder de væsentlige krav og øvrige relevante krav i direktiv 1999/5/EF

German

Hiermit erklärt Alcatel-Lucent die Übereinstimmung des Gerätes Alcatel-Lucent 1663 ADMu mit den grundlegenden Anforderungen und den anderen relevanten Festlegungen der Richtlinie 1999/5/EG.

Greek

ΜΕ ΤΗΝ ΠΑΡΟΥΣΑ Alcatel-Lucent ΔΗΛΩΝΕΙ ΟΤΙ Alcatel-Lucent 1663 ADMu ΣΥΜΜΟΡΦΩΝΕΤΑΙ ΠΡΟΣ ΤΙΣ ΟΥΣΙΩΔΕΙΣ ΑΠΑΙΤΗΣΕΙΣ ΚΑΙ ΤΙΣ ΛΟΙΠΕΣ ΣΧΕΤΙΚΕΣ ΔΙΑΤΑΞΕΙΣ ΤΗΣ ΟΔΗΓΙΑΣ 1999/5/ΕΚ

Italian

Con la presente Alcatel-Lucent dichiara che questo Alcatel-Lucent 1663 ADMu è conforme ai requisiti essenziali ed alle altre disposizioni pertinenti stabilite dalla direttiva 1999/5/CE.

Spanish

Por medio de la presente Alcatel-Lucent declara que el Alcatel-Lucent 1663 ADMu cumple con los requisitos esenciales y cualesquiera otras disposiciones aplicables o exigibles de la Directiva 1999/5/CE

Portuguese

Alcatel-Lucent declara que este Alcatel-Lucent 1663 ADMu está conforme com os requisitos essenciais e outras provisões da Directiva 1999/5/CE.

CE conformity declaration

The EC Declaration of Conformity (DoC) for Alcatel-Lucent 1663 ADMu Release 6.1 is shown in the following figure, as available upon issue, or at: <http://www.lucent.de/ecl>.

EC DECLARATION OF CONFORMITY

We

Lucent Technologies Network System GmbH
Thurn-und-Taxis-Str. 10
90411 Nuremberg
Germany

declare under our sole responsibility that the product:

Metropolis® ADM (Universal Shelf) Release 5.1

to which this declaration relates is in conformity with the following specifications

EN 300 386 V 1.3.3 (2005)
EN 60950-1 (2001-12)

following the provisions of Council Directive 89/336/EEC and 70/230/EEC, as amended by Directive 93/68/EEC, on the approximation of the laws of the Member States relating to electromagnetic compatibility and electrical equipment designed for use within certain voltage limits.

Nuremberg, Sept. 26, 2006 **Nuremberg, Sept. 26, 2006**


Dr. Rainer Fechner
Vice President & Managing Director


Siegfried Träger
E&H Manager

ECL-CE-ONG-06-005-V 01.00

Supplementary information

Manufacturer Lucent Technologies Network System GmbH Thurn-und-Taxis-Str. 10 90411 Nuremberg	Technical Construction File No (if applicable) : Number
Competent body (if applicable) :	Test report No: HERBERG Service Plus GmbH European Compliance Laboratory ECL-EMC-TR-06-168-V 01.00 ECL-SAF-TR-06-083-V 01.00
	Technical Certificate No (if applicable) :

Lucent Technologies
Bell Labs Innovations 

Eco-environmental statements

The statements that follow are the eco-environmental statements that apply to the *Waste from Electrical and Electronic Equipment (WEEE) directive*.

Packaging collection and recovery requirements

Countries, states, localities, or other jurisdictions may require that systems be established for the return and/or collection of packaging waste from the consumer, or other end user, or from the waste stream. Additionally, reuse, recovery, and/or recycling targets for the return and/or collection of the packaging waste may be established.

For more information regarding collection and recovery of packaging and packaging waste within specific jurisdictions, please contact the Acatel-Lucent Field Services / Installation - Environmental Health and Safety organization.

For installations not performed by Acatel-Lucent, please contact the Acatel-Lucent Customer Support Center at::

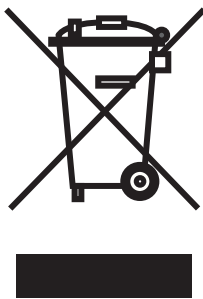
Technical Support Services, Acatel-Lucent.

Within the United States: 1 866 LUCENT8 (866 582 3688), prompt 1

From all other countries: +1 630 224 4672, prompt 2

Recycling / take-back / disposal of product

Electronic products bearing or referencing the symbol shown below when put on the market within the European Union, shall be collected and treated at the end of their useful life, in compliance with applicable European Union and local legislation. They shall not be disposed of as part of unsorted municipal waste. Due to materials that may be contained in the product, such as heavy metals or batteries, the environment and human health may be negatively affected as a result of inappropriate disposal.



Note: In the European Union, a solid bar under the crossed-out wheeled bin indicates that the product was put on the market after 13 August 2005.

Moreover, in compliance with legal requirements and contractual agreements, where applicable, Alcatel-Lucent will offer to provide for the collection and treatment of Alcatel-Lucent products at the end of their useful life, or products displaced by Alcatel-Lucent equipment offers.

For information regarding take-back of equipment by Alcatel-Lucent, or for more information regarding the requirements for recycling/disposal of product, please contact your Alcatel-Lucent Account Manager or Alcatel-Lucent Takeback Support at takeback@lucent.com.

Material content compliance

European Union (EU) Directive 2002/95/EC, “Restriction of the use of certain Hazardous Substances” (RoHS), restricts the use of lead, mercury, cadmium, hexavalent chromium, and certain flame retardants in electrical and electronic equipment. This Directive applies to electrical and electronic products placed on the EU market from 1 July 2006, with various exemptions, including an exemption for lead solder in network infrastructure equipment. Alcatel-Lucent products shipped to the EU from 1 July 2006 will comply with the RoHS Directive.

Technical documentation

The technical documentation as required by the Conformity Assessment procedure is kept at Alcatel-Lucent location which is responsible for this product. For more information please contact your local Alcatel-Lucent representative.

Reliability specifications

Overview

Purpose

This section describes how reliability is specified.

Contents

General specifications	9-13
Reliability program	9-14
Reliability specifications	9-15

General specifications

This section provides general reliability specifications for Alcatel-Lucent 1663 ADMu.

Mean time between failures

The MTBF is the mean duration of system hardware maintenance due to hardware failure. It does not reflect any service / traffics failure (service is be protected by redundant hardware).

The Mean Time Between Failures (MTBF) can derived from the FIT rate using the following formula:

$$MTBF [years] = 1 / (FIT\ value \times 1 \times 10^{exp-9} \times 365 \times 24)$$

Mean time to repair

The mean time to repair for Alcatel-Lucent 1663 ADMu is predicted to be two hours. This figure includes dispatch, diagnostic, and repair time.

Infant mortality factor

Note: The steady state failure rate is equal to the failure rate of the system.

The number of failures that a product experiences during the first year of service after turn-up may be greater than the number of subsequent annual steady state failures. This is the early life or infant mortality period. The ratio of the first year failure rate to the steady state failure rate is termed the infant mortality factor (IMF).

The prediction of the Alcatel-Lucent 1663 ADMu circuit pack reliability is based on an infant mortality factor (IMF) smaller than 2.5. That means the first year failure rate (or infant mortality rate [IMR]) is assumed to be ≤ 2.5 times the steady state failure rate.

Product design life

The product design life for Alcatel-Lucent 1663 ADMu is 15 years except for the fan units and the *CompactFlash*[®] card used on LKA20 . The fan units and the *CompactFlash*[®] card's design life is 7 years.

Maintainability specifications

Note: The air filter, located below the subrack, must be replaced or cleaned under regular conditions (e.g. with Eurovent EU6 filters used in the HVAC) once every 3 to 6 months to ensure the proper cooling, as described in the User Operations Guide (UOG) chapter “Periodic activities” or as part of a trouble clearing procedure as described in the Alarm Messages And Trouble Clearing Guide (AMTCG).

Reliability program

Introduction

Reliability is a key ingredient of products life cycle from the earliest planning stage. Major occurrences at the start of the project involve modeling of system reliability. During the design and development stage, reliability predictions, qualification and selection of components, definition of quality assurance standards and prototyping of critical system areas ensured built-in reliability. Manufacturing and field deployment, techniques such as pre-manufacturing, qualification, tracking of production quality, burn-in tests, failure mode analysis and feedback and correction further enhance the ongoing reliability of the Alcatel-Lucent 1663 ADMu.

Reliability specifications

Introduction

The Alcatel-Lucent 1663 ADMu provides various hardware redundancy and protective switching mechanisms where necessary to support a high level of service availability.

Redundancy and protective switching

The Alcatel-Lucent 1663 ADMu supports the principle that protective switching options should be available for all units and busses that could cause service degradation when a failure occurs. Therefore, the system is divided into blocks, which allow for separate protection switching. The Alcatel-Lucent 1663 ADMu provides protection switching options for the following units:

Unit protection	Switching plan	Apparatus code
2.5G Core Unit 1 + 1	non-revertive	LKA24, LKA25, LKA48, LKA481, LKA482
10G Core Unit 1 + 1	non-revertive	LKA26, LKA27, LKA47, LKA28, LKA29, LKA281, LKA49, LKA350, LKA60, LKA62
PI-E1/63 1 : N	N = 4 at maximum revertive	LKA2
PI-DS1/63 1:N	N = 4 at maximum revertive	LKA16
PI-E3DS3/12 1 + 1 protection	non-revertive	LKA8
SI-1 1/4 1 + 1 protection	non-revertive	LKA3
SI-1/16-4/4 1+1 protection (for 12-ch STM-1e)	non-revertive	LKA39

Reliability and service availability

Protection mechanisms are supported by the Alcatel-Lucent 1663 ADMu:

- path protection or SNC/N protection (SubNetwork Connection protection with Non-intrusive monitoring) for higher and lower order VCs
- multiplex section shared protection ring (MS-SPRing) (selective) at STM-16 and STM-64 level.
- 1+1 multiplex section protection (MSP) for STM-16, STM-4, and STM-1 optical interfaces
- dual node interworking (DNI)

Ethernet traffic can be protected by:

- spanning tree protocol
- link capacity adjustment scheme (LCAS)

Alcatel-Lucent 1663 ADMu circuit-pack fit rates

The following tables give an overview of the circuit packs fit rates. Those FIT rates are based on a steady state failure rate at a shelf room temperature of 25 °C. The basic assumption is that the failure of any component would result in a failure of the circuit pack.

Common

Short unit name	Long description	FIT rate	Apparatus code
SC1	System Controller Unit 1	5418	LKA1D
SC2	System Controller Unit 2	4814	LKA21
SC2	System Controller Unit 2	4778	LKA21B
SC3	System Controller Unit 3	3739	LKA20
PU	Power Unit	855	PU
FAN	Fan Unit	1472.3	FAN
Subrack	Shelf Subrack	337	EHA2
Subrack Enhanced	Shelf Subrack Enhanced	314	EHA2B

STM-16 and STM-64 Core Units

Short unit name	Long description	FIT rate	Apparatus code
SI-L16.1 C2/1	Core Unit 64/32 2.5G	7053	LKA24
SI-L16.2 C2/1	Core Unit 64/32 2.5G	7053	LKA25
SI-16 SFP C2/4	Core Unit 4 x STM-16 SFP CC-272/128 (without SFP)	7324	LKA48
SI-16 SFP C3/1	Core Unit 1 x STM-16 SFP CC-176/64 (with SFP)	6617	LKA481
SI-16 VH C3/1 OBA	Core Unit 1 x STM-16 VH CC-176/64 OBA (with SFP)	7570	LKA482
SI-L64.2, C1/1	Core Unit 256/64 10G	13824	LKA26
SI-S64.2, C1/1	Core Unit 272/64 10G	12834	LKA27

Short unit name	Long description	FIT rate	Apparatus code
SI-I64.1r C1	Core Unit 272/64 10G	11546	LKA47
SI-EML64.11C1/1	Core Unit 256/64 10G	12269	LKA211
SI-64 XFP C2/1	Single Core Unit 272/128 10G	6023	LKA60
SI-64 XFP C4/2	Core Unit 832/128 10G	6403	LKA62
SI-L64.2 C2/1	Core Unit 272/128 10G	11788	LKA28
SI-U64.2 C2/1	Core Unit 272/128 10G	7935	LKA281
SI-S64.2 C2/1	Core Unit 272/128 10G	11291	LKA29
SI-I64.1r C2/1	Core Unit 272/128 10G	8190	LKA49
SI-V64.2 C2/1	Core Unit 272/128 10G	12034	LKA350

Tributary units

Short unit name	Long description	FIT rate	Apparatus code
SI-L16.1/1	Synchronous Interface unit STM-16 1300 nm	4703	LKA23
SI-L16.2/1	Synchronous Interface unit STM-16 1500 nm	4703	LKA22
SI-1/16-4/4	Synchronous Interface unit STM-16 1500 nm (with SFP)	4932	LKA39
SI-x16 SFP/1	Tributary unit using STM-16 SFP's (with SFP)	3109	LKA50
SI-S4.1/1	Synchronous Interface unit STM-4 1300 nm	2071	LKA11
SI-S1.1/4	Synchronous Interface unit STM-1 1300 nm	3408	LKA6
SI-L1.2/4	Synchronous Interface unit STM-1 1500 nm	4948	LKA13
SI-L4.2/1	Synchronous Interface unit STM-4 1550 nm	2830	LKA14
SI-1e/4	Synchronous Interface unit STM-1e	2096	LKA3
SI-S1.1/4	Synchronous Interface unit STM-1 1310 nm	3408	LKA6
PI-E1/63	Plesiosynchronous Interface unit 2 Mbit/s	3566	LKA2

Short unit name	Long description	FIT rate	Apparatus code
PI-DS1/63	Plesiosynchronous Interface unit 1.55 Mbit/s	2303	LKA16
PI-E3DS3/12	Plesiosynchronous Interface unit 34 Mbit/s/45 Mbit/s	1970	LKA8B
SI-16/4/1/M	10G Multi-Rate Tributary unit (with SFP)	6322	LKA146
IP-LAN/8	Data Interface unit LAN FastEtherNet Mb-EOS	4517	LKA4
IP-LAN/12	Data Interface unit LAN FastEtherNet Mb-EOS	5566	LKA412
IP-GE/2	Data Interface unit 2 x GbE (with SFP)	5297	LKA12
IP-GE/2	Data Interface unit 2 x GbE (with SFP)	5297	LKA12B
IP-GE/2F-OS	Data Interface unit 2 x GbE-full/one slot (without SFP)	4988	LKA53
IP-GE/8F-OS	Data Interface unit 8 x GbE-full/one slot (with SFP)	6133	LKA58

Paddle boards

Short unit name	Long description	FIT rate	Apparatus code
PB-1/75/P4S	Paddle Board STM1e Protection	327	PBG 2
PB-E3DS3/12	Paddle Board 34/45 Mbit/s	266	PBG 4
PB-DS1/ P100/63	Paddle Board 1.55 Mbit/s, 100 Ω Protection	612	PBE 12
PB-E1/75/63	Paddle Board 2 Mbit/s, 75 Ω	269	PBE 5
PB-E1/P120/63	Paddle Board 2 Mbit/s, 120 Ω	274	PBE 6
PB-E1/P75/63	Paddle Board 2 Mbit/s, 75 Ω Protection	1961	PBE 3
PB-E1/P75/63	Paddle Board 2 Mbit/s, 75 Ω Protection, Sub-D conn.	576	PBE3D
PB-E1/120/P63	Paddle Board 2 Mbit/s, 120 Ω Protection	584	PBE 4

Short unit name	Long description	FIT rate	Apparatus code
PB-E1/120/P63	63 × 2 Mbit/s, 120 Ω (1:N protected/un-protected)	584	PBE 41
PB-LAN/100/8	Paddle Board 100BASE-T	763	PBG 1
PB OPT/12	Paddle Brd. 100Base-T	1106	PBO12
PB LAN100/12	Paddle Brd. 12xLAN 100 Ohm	759	PBL12
PB-E3DS3/P75/12	PB 12 x E3/DS3 (Prot.1+1)	1126	PBP1
PB-1/P75/4D	PB 4xSTM-1 (Prot.1+1)	604	PBP2
PB-1/75/12S	PB 12xSTM-1e Un-protected	1432	PBP5
PB-1/P75/12D	PB 12xSTM-1e (Prot. 1+1)	1948	PBP6
PB-E1/75/subD/63	PB 63x2Mb/s)75 subD Un-prot (China)	127	PBP7
PB-STM-1o/e/6	PB 6xSTM-1o and/or STM-1e (without SFP)	478	PBP8
PB-STM-4/1o/e/6	PB 6xSTM-4 and/or STM-1o and/or STM-1e (without SFP)	478	PBP9

XFPs

XFP name	FIT rates	Apparatus code
XFP I-64.1r/I-64.1 (2km)	900	OM10G-I64.1
XFP 10G-S-64.2b/S-64.3b (40km)	900	OM10G-S64.2
XFP 10G-L-64.2, P1L1-2D2 (80km)	900	OM10G-L64.2

SFPs

SFP name	FIT rates	Apparatus code
SFP I-16, 2km	544	OM2G5-I16
SFP L-16.1, 40km	572	OM2G5-L16.1
SFP L-16.1, LR-1, 40km	864	OM2G5-L16.1
SFP L-16.2/3, 80km	562	OM2G5-L16.2
SFP L-16.2, LR-2, 80km	960	OM2G5-L16.2
SFP 2G5-S16.1, 15km	450	OM2G5-S16.1

SFP name	FIT rates	Apparatus code
SFP SH S-4.1, 15km	968	OM622M-S4.1
SFP L-4.1, 40km	556	OM622M-L4.1
SFP L-4.2, 80km	548	OM622M-L4.2
SFP L-4.2, LR-2, 80km	377	OM622M-L4.2
SFP S-1.1, 15km	544	OM155M-S1.1
SFP L-1.1, 40km	552	OM155M-L1.1
SFP L-1.2, LH 80km	538	OM155M-L1.2
SFP, L-1.2, LR-2, 80km	377	OM155M-L1.2
SFP SFW-1490 BD-D	450	OM155SF1
SFP SFW-1310 BD-U	450	OM155SF2
SFP SFW-1550 BD-D	689	OM155SF3
SFP SFW-1310 BD-U	689	OM155SF4
STM-16 cWDM SFP color 11 (1470nm) 80 km	772	OM16CL47
STM-16 cWDM SFP color 12 (1490nm) 80 km	772	OM16CL49
STM-16 cWDM SFP color 13 (1510nm) 80 km	772	OM16CL51
STM-16 cWDM SFP color 14 (1530nm) 80 km	772	OM16CL53
STM-16 cWDM SFP color 15 (1550nm) 80 km	772	OM16CL55
STM-16 cWDM SFP color 16 (1570nm) 80 km	772	OM16CL57
STM-16 cWDM SFP color 17 (1590nm) 80 km	772	OM16CL59
STM-16 cWDM SFP color 18 (1610nm) 80 km	772	OM16CL61
STM-16 cWDM SFP color 11 (1470nm) 40 km	538	OM16CS47
STM-16 cWDM SFP color 12 (1490nm) 40 km	538	OM16CS49
STM-16 cWDM SFP color 13 (1510nm) 40 km	538	OM16CS51
STM-16 cWDM SFP color 14 (1530nm) 40 km	538	OM16CS53
STM-16 cWDM SFP color 15 (1550nm) 40 km	538	OM16CS55
STM-16 cWDM SFP color 16 (1570nm) 40 km	538	OM16CS57
STM-16 cWDM SFP color 17 (1590nm) 40 km	538	OM16CS59
STM-16 cWDM SFP color 18 (1610nm) 40 km	538	OM16CS61
SFP STM-1 electrical 100 m	350	OM155M-E
SFP 100 BaseX Ethernet 10km	450	OM100B-LX
SFP GbE 500m	500	OMGBE-SX

SFP name	FIT rates	Apparatus code
SFP GbE 5km	105	OMGBE-LX
SFP GbE 70km (supplier: JDSU)	500	OMGBE-ZX
SFP GbE 70km (supplier: Excelight)	280	OMGBE-ZX

Dispersion Compensation Modules

Short name	Fit rate
DCM/LC CPL DK-50	160
DCM/LC CPL DK-60	160

Miscellaneous discretes

Short name	Fit rate
MIO-L	214
MIO-R	298
MIOR-J	979

Robustness

The Alcatel-Lucent 1663 ADMu meets ITU recommendations on robustness. This means that:

- incorrect provisioning of options (software and/or hardware) does not lead to damage or degradation of the unit.
- changing a unit under operational conditions does not lead to damage or degradation of the units
- when a non-traffic-carrying unit is plugged in or removed, no transmission errors will be caused in the system
- when a traffic-carrying unit is plugged in or removed, no errors will be caused in any traffic that is not directly related to that unit
- short-circuiting of any electrical inputs or outputs (except the Primary Power feeds) on user accessible connectors will not cause any damage or degradation
- there will be no degradation in the equipment performance when the subrack and each card are individually subjected to a “percussion test”

-
- insertion of the incorrect card in any slot will not cause damage to the card or the slot
 - removal of any card will not inhibit the reporting of alarms to the station-alarm scheme or to the management system. When the SC card is removed, only the System Controller Removed alarm loop will close to indicate this situation.

10 Technical specifications

Overview

Purpose

This chapter provides the technical specifications of the Alcatel-Lucent 1663 Add Drop Multiplexer-universal (Alcatel-Lucent 1663 ADMu):

The specifications are used to plan the Alcatel-Lucent 1663 ADMu network element in an existing or a new network.

Contents

Optical interfaces	10-2
Electrical interfaces	10-31
Mapping structure	10-32
Transmission performance	10-33
Timing, network synchronization and timing references	10-34
Power specifications	10-36
Physical system specifications	10-42
Network management	10-44
Bandwidth management	10-45
Processing of overhead bytes	10-46
OAM&P	10-49
Performance monitoring	10-50
Supervision and alarms	10-52
Spare part information	10-54

Optical interfaces

STM-64 optical line cards

The table below lists some parameters and the end of life power budgets.

Apparatus code	LKA27	LKA26	LKA47	LKA211
Short unit name	SI-S64.2 C1/1	SI-L64.2 C1/1	SI-I64.1r C1/1	SI-EML64.11C1/1
Physical interface standard acc. to . ITU-T G691	STM-64 S64.2b STM-64 S64.3b	STM-64 L64.2b STM-64 L64.3	STM-64 I64.1r	not standard compliant (close to P1L1-2D2)
SDH level	STM-64	STM-64	STM-64	STM-64 according to G.707 and G.958
Transmission rate [kbit/s]	9 953 280	9 953 280	9 953 280	9953280
Transmission code	Scrambled non-return to zero (NRZ)	Scrambled non-return to zero (NRZ)	Scrambled non-return to zero (NRZ)	
Optical wavelength range [nm]	1530 ... 1565	1530 ... 1565	1290 ... 1330	1552.52
<i>Transmitter at reference point S and MPI-S (acc. G.691), respectively</i>				
Source type	SLM	SLM	SLM	SLM
Max. spectral RMS width (σ) [nm]	NA	NA	NA	NA
Max. spectral -20 dB width [nm]	NA	NA	NA	NA
Min. side mode suppression [dB]	30	30	30	30
Chirp parameter [rad]				-0.6 ... -0.75
Mean launched power range [dBm]	-1 ... 2	10 ... 13	-6 ... -1	2 ... 6
Min. extinction ration [dB]	8.2	8.2	6.0	10
<i>Receiver at reference point R and MPI-R (acc. G.691), respectively</i>				
Min. optical sensitivity [dBm]	-14	-14	-11	-22
Max. optical path penalty [dB]	2	2	1	2 (over G.652 fiber) / 1 (over G.653 and G.655 fiber)
Min. overload [dBm]	-1	-1	-1	-9
Max. reflectance of receiver, measured at R [dB]	-27	-27	-27	-27
<i>Optical path between S and R</i>				
Min. optical return loss [dB]	24	24	14	24
Max. discrete reflectance [dB]	-27	-27	-27	-27

Apparatus code	LKA27	LKA26	LKA47	LKA211
Short unit name	SI-S64.2 C1/1	SI-L64.2 C1/1	SI-I64.1r C1/1	SI-EML64.11C1/1
Physical interface standard acc. to . ITU-T G691	STM-64 S64.2b STM-64 S64.3b	STM-64 L64.2b STM-64 L64.3	STM-64 I64.1r	not standard compliant (close to P1L1-2D2)
Max. chromatic dispersion [ps/nm]	<ul style="list-style-type: none"> 800 (STM-64 S64.2b) 400 (STM-64 S64.3b) 	<ul style="list-style-type: none"> 1600 (STM-64 L64.2b) 800 (STM-64 L64.3) 	3.8	1600 (over G.652 fiber)
Optical attenuation range [dB]	<ul style="list-style-type: none"> 3 ... 11 (STM-64 S64.2b) 3 ... 12 (STM-64 S64.3b) 	<ul style="list-style-type: none"> 14 ... 22 (STM-64 L64.2b) 14 ... 23 (STM-64 L64.3) 	0 ... 4	15 ... 22 over G.652 fiber (without optical amplifiers)

The table below lists some parameters and the end of life power budgets of the STM-64 optical line cards.

Apparatus code	LKA29	LKA28	LKA281	LKA49	LKA350
Short unit name	SI-S64.2 C2/1	SI-L64.2 C2/1	SI-U64.2 C2/1	SI-I64.1r C2/1	SI-V64.2 C2/1
Physical interface standard acc. to . ITU-T G691 and G.959.1	STM-64 S64.2b STM-64 S64.3b	STM-64 P1L1-2D2	STM-64 P1L1-2D2	STM-64 I64.1r	not standard compliant (close to STM-64 V-64.2a)
SDH level	STM-64	STM-64	STM-64	STM-64	STM-64
Transmission rate [kbit/s]	9 953 280	9 953 280	9 953 280	9 953 280	9 953 280
Transmission code	Scrambled non-return to zero (NRZ)	Scrambled non-return to zero (NRZ)	Scrambled non-return to zero (NRZ)	Scrambled non-return to zero (NRZ)	Scrambled non-return to zero (NRZ)
Optical wavelength range [nm]	1530 ... 1565	1530 ... 1565	1552.52	1290 ... 1330	1530 ... 1565
<i>Transmitter at reference point S and MPI-S (acc. G.691 and G.959.1), respectively</i>					
Source type	SLM	SLM	SML	SLM	SLM
Max. spectral RMS width (σ) [nm]	NA	NA	NA	NA	NA
Max. spectral -20 dB width [nm]	< 1	< 1	< 1	< 1	< 1
Min. side mode suppression [dB]	30	30	30	30	30

Apparatus code	LKA29	LKA28	LKA281	LKA49	LKA350
Short unit name	SI-S64.2 C2/1	SI-L64.2 C2/1	SI-U64.2 C2/1	SI-I64.1r C2/1	SI-V64.2 C2/1
Physical interface standard acc. to . ITU-T G691 and G.959.1	STM-64 S64.2b STM-64 S64.3b	STM-64 P1L1-2D2	STM-64 P1L1-2D2	STM-64 I64.1r	not standard compliant (close to STM-64 V-64.2a)
Mean launched power range [dBm]	-1 ... 2	0 ... 4	15,5 ... 17 (T-16 OBA) 12,5 ... 14 (T-13 OBA) 9,5 ... 11 (T-10 OBA) 10 to 16 (MS1025-OBA)	-6 ... -1	11 ... 14
Min. extinction ratio [dB]	8.2	9	9	6.0	10
<i>Receiver at reference point R and MPI-R (acc. G.691 and G.959.1, respectively)</i>					
Min. optical sensitivity [dBm]	-14	-24	-24 (R) -26,5 (MPI-R)	-11	-24
Max. optical path penalty [dB]	2	2 (over G.652 fiber) / 1 (over G.655 fiber)	2	1	2 (over G.652 fiber) / 1 (over G.653 and G.655 fiber)
Min. overload [dBm]	-1	-7	-7 (R) -17 (MPI-R)	-1	-7
Max. reflectance of receiver, measured at MPI-R [dB]	-27	-27	-27	-27	-27
<i>Optical path between S and R</i>					
Min. optical return loss [dB]	24	24	24	14	24
Max. discrete reflectance [dB]	-27	-27	-27	-27	-27
Max. chromatic dispersion [ps/nm]	<ul style="list-style-type: none"> 800 (STM-64 S64.2b) 400 (STM-64 S64.3b) 	1600 (STM-64 P1L1-2D2)	2550	3.8	2400 (over G.652 fiber)

Apparatus code	LKA29	LKA28	LKA281	LKA49	LKA350
Short unit name	SI-S64.2 C2/1	SI-L64.2 C2/1	SI-U64.2 C2/1	SI-I64.1r C2/1	SI-V64.2 C2/1
Physical interface standard acc. to . ITU-T G691 and G.959.1	STM-64 S64.2b STM-64 S64.3b	STM-64 P1L1-2D2	STM-64 P1L1-2D2	STM-64 I64.1r	not standard compliant (close to STM-64 V-64.2a)
Optical attenuation range [dB]	<ul style="list-style-type: none"> 3 ... 11 (STM-64 S64.2b) 3 ... 12 (STM-64 S64.3b) 	11 ... 22 (STM-64 L64.2b)	<ul style="list-style-type: none"> 34 ... 42 (with T-16 or MS1025 booster and DCM-80) 31 ... 39 (with T-13 or MS1025 booster and DCM-80) 38 ... 36 (with T-10 or MS1025 booster and DCM-80) 	0 ... 4	21 ... 33

STM-64 optical modules (XFPs)

The table below lists some parameters and the end of life power budgets for the XFPs to be used in the 1 x STM-64 XFP CC-272/128 (with or without OBA) core unit (LKA60), and the 2 x STM-64 Core Unit CC-832/128 (LKA62).

The following table lists some parameters and the End of Life power budget of the 10-Gbit/s EXtended Form-factor Pluggable (XFP) interface modules.

	Unit	Value	Value	Value
Apparatus code		OM10G-I64.1	OM10G-S64.2	OM10G-L64.2
Application code		I-64.1	S64.2/3	P1L1-2D2
Fiber type		G.652, G.655	G.652, G.655	G.652, G.655
Source Type		SLM	SLM	SLM
Operating wavelength	nm	1290 ... 1330	1530 ... 1565	1530 ... 1565
Target distance	km	2 covers also 0.6 and 2 km	40	80
Transmission rate	Gbit/s	9.95328 ± 100 ppm	9.95328 ± 100 ppm	9.95328 ± 100 ppm
Transmission code		NRZ	NRZ	NRZ

	Unit	Value	Value	Value
Apparatus code		OM10G-I64.1	OM10G-S64.2	OM10G-L64.2
Application code		I-64.1	S64.2/3	P1L1-2D2
Minimum side mode suppression ratio	dB	30	30	30
Maximum mean output power:	dBm-	- 1	2	4
Minimum mean output power:	dBm	- 6	-1	0
Minimum extinction ratio:	dB	6	8.2	9
Maximum attenuation:	dB	4	11	22
Minimum attenuation:	dB	0	3	11
Maximum chromatic dispersion:	ps/nm	6.6	800	1600
Minimum optical return loss at MPI-S	dB	14	24	24
Maximum discrete reflectance between MPI-S and MPI-R	dB	-27	-27	-27
Minimum sensitivity:	dBm	-11	-14	-24
Maximum optical path penalty:	dB	1	2	2
Maximum reflectance of optical network element:	dB	-14	-27	-27

STM-16 optical line cards

The table below lists some parameters and the end of life power budgets.

Apparatus code	LKA24	LKA25	LKA22	LKA23
Short unit name	SI-L16.1 C2/1	SI-L16.2 C2/1	SI-L16.2/1	SI-L16.1/1
Physical interface standard acc. to . ITU-T G957	STM-16 L16.1	STM-16 L16.2	STM-16 L16.2	STM-16 L16.1
SDH level	STM-16	STM-16	STM-16	STM-16
Transmission rate [kbit/s]	2488320	2488320	2488320	2488320
Transmission code	Scrambled non-return to zero (NRZ)	Scrambled non-return to zero (NRZ)	Scrambled non-return to zero (NRZ)	Scrambled non-return to zero (NRZ)
Optical wavelength range [nm]	1280 ... 1335	1535 ... 1560	1535 - 1560	1280 ... 1335
<i>Transmitter at reference point S</i>				
Source type	SLM	SLM	DFB (uncooled)	DFB (uncooled)
Max. spectral RMS width (σ) [nm]	NA	NA	NA	NA
Max. spectral -20 dB width [nm]	1	< 1	< 1	< 1

Apparatus code	LKA24	LKA25	LKA22	LKA23
Short unit name	SI-L16.1 C2/1	SI-L16.2 C2/1	SI-L16.2/1	SI-L16.1/1
Physical interface standard acc. to . ITU-T G957	STM-16 L16.1	STM-16 L16.2	STM-16 L16.2	STM-16 L16.1
Min. side mode suppression [dB]	30	30	30	30
Mean launched power range [dBm]	-2 ... 2	-2 ... 3	-2 ... 3	-2 ... 2
Min. extinction ration [dB]	8.2	8.2	8.2	8.2
<i>Receiver at reference point R</i>				
Min. optical sensivity [dBm]	-27	-28	-27	-27
Max. optical path penalty [dB]	1	2	2	1
Min. overload [dBm]	-8	-8	-8	-8
Max. reflectance of receiver, measured at R [dB]	-27	-27	-27	-27
<i>Optical path between S and R</i>				
Min. optical return loss [dB]	24	24	24	24
Max. discrete reflectance [dB]	-27	-27	-27	-27
Max. chromatic dispersion [ps/nm]	230	1600	1800	230
Optical attenuation range [dB]	10 ... 24	11 ... 24	11 ... 24	10 ... 24

STM-16 optical modules (SFPs)

The table below lists some parameters and the end of life power budgets for the SFPs to be used in the 4 x STM-16 SFP CC-272/128 core unit (LKA48) and the STM-x16 SFP/1 (LKA50) .

Application	I-16	S-16.1	L-16.1	L-16.2
Optical wavelength range	1266 - 1360 nm	1260-1360 nm	1280 - 1335 nm	1500 - 1580 nm
Transmission rate	2 488 320 kbit/s	2 488 320 kbit/s	2 488 320 kbit/s	2 488 320 kbit/s
Transmission code	Scrambled non-return to zero (NRZ)	Scrambled non-return to zero (NRZ)	Scrambled non-return to zero (NRZ)	Scrambled non-return to zero (NRZ)
<i>Transmitter at reference point S and MPI-R (acc. G.691, respectively)</i>				
Source type	MLM	SLM	SLM	SLM
Max. spectral RMS width (σ)	4 nm	NA	NA	NA
Max. spectral -20 dB width	NA	1 nm	1 nm	1 nm
Min. side mode suppression	NA	30 dB	30 dB	30 dB
Mean launched power (max)	-3 dBm	0 dBm	3 dBm	3 dBm

Application	I-16	S-16.1	L-16.1	L-16.2
Mean launched power (min)	-10 dBm	-5 dBm	-2 dBm	-2 dBm
Extinction ratio (min)	8.2 dB	8.2 dB	8.2 dB	8.2dB
<i>Optical path between S and R</i>				
Optical return loss of the cable plant at point S including the optical connector	14 dB	24 dB	24 dB	24 dB
Max. chromatic dispersion	12 ps/nm	NA	230 ps/nm	1600 ps/nm
Optical attenuation range	0 ... 7 dB	0 ... 12 dB	10 ... 24 dB	10 ... 24 dB
Max. discrete reflectance	-27 dB	-27 dB	-27 dB	-27 dB
Optical return loss of the cable plant at point S including the optical connector	14 dB	24 dB	24 dB	24 dB
<i>Receiver at reference point R and MPI-R (acc. G.691, respectively)</i>				
Min. optical sensitivity (BER = 1×10^{-10})	-18 dBm	-18 dBm	-27 dBm	-28 dBm
Min. optical sensitivity (BER = 1×10^{-12})	-17 dBm	-17 dBm	-26 dBm	-27 dBm
Max. optical path penalty	1 dB	1 dB	1 dB	2 dB
Min. overload	-3 dBm	0 dBm	-9 dBm	-9 dBm
Min. return loss at receiver, measured at R	27 dB	27 dB	27 dB	27 dB

The table below lists some parameters and the end of life power budgets for the CWDM SFPs to be used in the 4 x STM-16 SFP CC-272/128 core unit (LKA48), the 2.5G Core Unit 176/64 (LKA481), the 2.5G Core Unit 176/64 (LKA482) and the STM-x16 SFP/1 (LKA50). Deviating values recommended by G.695 are in brackets.

Apparatus code		OM16CS47 OM16CS49 OM16CS51 OM16CS53 OM16CS55 OM16CS57 OM16CS59 OM16CS61	OM16CL47 OM16CL49 OM16CL51 OM16CL53 OM16CL55 OM16CL57 OM16CL59 OM16CL61
Physical interface standard acc. to . ITU-T		S-C8S1-1D2	S-C8L1-1D2
Parameter	Units		
Maximum number of channels		8	8
Bit rate / line coding of optical tributary signals	kbit/s	NRZ / 2488320	NRZ / 2488320
Maximum bit error ratio	-	10^{-12}	10^{-12}
Fiber type		G.652, G.653, G.655	G.652, G.653, G.655

Apparatus code		OM16CS47 OM16CS49 OM16CS51 OM16CS53 OM16CS55 OM16CS57 OM16CS59 OM16CS61	OM16CL47 OM16CL49 OM16CL51 OM16CL53 OM16CL55 OM16CL57 OM16CL59 OM16CL61
Physical interface standard acc. to . ITU-T		S-C8S1-1D2	S-C8L1-1D2
Parameter	Units		
<i>Interface at point SS</i>			
Maximum mean channel output power	dBm	5	5
Minimum mean channel output power	dBm	0	0
Central wavelength	nm	1471 + 20m (m = 0 to 7)	1471 + 20m (m = 0 to 7)
Maximum central wavelength deviation	nm	+/- 6.5	+/- 6.5
Minimum extinction ratio	dB	8.2	8.2
Eye mask	-	STM-16 per G.957	STM-16 per G.957
<i>Optical path from point SS and RS</i>			
Maximum channel insertion loss	dB	17.0 (16.5)	25.5
Minimum channel insertion loss	dB	5	13 (14)
Maximum dispersion	ps / nm	refer to “Wavelength specific maximum cumulative dispersion” (p. 10-9)	refer to “Wavelength specific maximum cumulative dispersion” (p. 10-9)
Minimum optical return loss at SS	dB	24	24
Maximum discrete reflectance between SS and RS	dB	-27	-27
Maximum differential group delay	ps	120	120
Maximum optical cross talk	dB	20	20
<i>Interface at point RS</i>			
Maximum mean channel input power	dBm	0	-8 (-9)
Minimum sensitivity	dBm	-18.5 (-18)	-28
Maximum optical path penalty	dB	1.5	2.5
Maximum reflectance of receiver	dB	-27	-27

Wavelength specific maximum cumulative dispersion

wavelength in vacuum	frequency	Maximum cumulative dispersion [ps/nm]	
[nm]	[THz]	S-C8S1-1D2	S-C8L1-1D2
1471	203.802	626	1044

wavelength in vacuum	frequency	Maximum cumulative dispersion [ps/nm]	
1491	201.068	688	1147
1511	198.407	749	1248
1531	195.815	807	1345
1551	193.29	863	1438
1571	190.829	918	1530
1591	188.43	960	1600
1611	186.091	960	1600

STM-4 optical tributary cards

The table below lists some parameters and the end of life power budgets.

Apparatus code	LKA11	LKA14
Short unit name	SI-S4.1/1	SI-L4.2/1
Physical interface standard acc. to . ITU-T G957	STM-4 S4.1	STM-4 L4.2
SDH level	STM-4	STM-4
Transmission rate [kbit/s]	622 080	622 080
Transmission code	Scrambled non-return to zero (NRZ)	Scrambled non-return to zero (NRZ)
Optical wavelength range [nm]	1274 ... 1356	1530 ... 1565
<i>Transmitter at reference point S</i>		
Source type	MLM	SLM
Max. spectral RMS width (σ) [nm]	2.5	NA
Max. spectral -20 dB width [nm]	NA	< 1
Min. side mode suppression [dB]	NA	30
Mean launched power range [dBm]	-15 ... -8	-3 ... 2
Min. extinction ration [dB]	8.2	10
<i>Receiver at reference point R</i>		
Min. optical sensitivity [dBm]	-28	-28
Max. optical path penalty [dB]	1	1
Min. overload [dBm]	-8	-8
Max. reflectance of receiver, measured at R [dB]	NA	-27
<i>Optical path between S and R</i>		
Min. optical return loss [dB]	NA	24
Max. discrete reflectance [dB]	NA	-27

Apparatus code	LKA11	LKA14
Short unit name	SI-S4.1/1	SI-L4.2/1
Physical interface standard acc. to . ITU-T G957	STM-4 S4.1	STM-4 L4.2
Max. chromatic dispersion [ps/nm]	74	2000
Optical attenuation range [dB]	0 ... 12	10 ... 24

STM-4 optical modules (SFPs)

The table below lists some parameters and the end of life power budgets for the STM-4 optical modules SFPs to be used together with the Multi-STM Main Board (12*STM-1e, 16*STM-1o, 4*STM-4) (LKA39) .

Application	STM-4 Short Haul S-4.1	STM-4 Long Haul L-4.1	STM-4 Long Haul L-4.2
Operating wavelength range	1274-1356 nm	1280-1335 nm	1480-1580 nm
Source type	MLM	SLM	SLM
Spectral width at -20 dB (max)	NA	1 nm	1 nm
RMS spectral width (max)	2.5 nm	NA	NA
Mean launched power (max)	-8 dBm	+2 dBm	+2 dBm
Mean launched power (min)	-15 dBm	-3 dBm	-3 dBm
Side mode suppression ratio (min)	NA	30 dB	30 dB
Extinction ratio (min)	8.2 dB	10 dB	10 dB
Mask of the eye diagram of the optical transmit signal	see G.957	see G.957	see G.957
Optical path between points S and R			
Maximum dispersion	74 ps/nm	NA	1600 ps/nm
Optical attenuation range	0 - 12 dB	10 - 24 dB	10 - 24 dB
Optical return loss of the cable plant at point S including the optical connector	NA	25 dB	25 dB
Receiver at reference point R			
Sensitivity (min) at BER = 1×10^{-10}	-28 dBm	-28 dBm	-28 dBm
Overload (min)	-8 dBm	-8 dBm	-8 dBm
Optical path penalty	1 dB	1 dB	1 dB
Optical return loss of the receiver (min)	NA	14 dB	27 dB

STM-1 optical tributary cards

The table below lists some parameters and the end of life power budgets.

Apparatus code	LKA6	LKA13
Short unit name	SI-S1.1/4	SI-L1.2/4
Physical interface standard acc. to . ITU-T G957	STM-1 S1.1	STM-1 L1.2
SDH level	STM-1	STM-1
Transmission rate [kbit/s]	155 520	155 520
Transmission code	Scrambled non-return to zero (NRZ)	Scrambled non-return to zero (NRZ)
Optical wavelength range [nm]	1274 ... 1356	1480 ... 1580
<i>Transmitter at reference point S</i>		
Source type	MLM	SLM
Max. spectral RMS width (σ) [nm]	4	NA
Max. spectral -20 dB width [nm]	NA	< 1
Min. side mode suppression [dB]	NA	30
Mean launched power range [dBm]	-15 ... 8	-5... 0
Min. extinction ration [dB]	8.2	10
<i>Receiver at reference point R</i>		
Min. optical sensitivity [dBm]	-28	-34
Max. optical path penalty [dB]	1	1
Min. overload [dBm]	-8	-10
Max. reflectance of receiver, measured at R [dB]	NA	25
<i>Optical path between S and R</i>		
Min. optical return loss [dB]	NA	20
Max. discrete reflectance [dB]	NA	-25
Max. chromatic dispersion [ps/nm]	185	NA
Optical attenuation range [dB]	0 ...12	10 ... 28

STM-1 optical modules (SFPs)

The table below lists some parameters and the end of life power budgets for the STM-1 optical modules SFPs to be used together with the Multi-STM Main Board (12*STM-1e, 16*STM-1o, 4*STM-4) (LKA39) .

Application	STM-1 Short Haul S-1.1 (I-1)	STM-1 Long Haul L-1.1	STM-1 Long Haul L-1.2
Operating wavelength range	1260-1360 nm	1270-1360 nm	1480-1580 nm
Transmitter at reference point S			
Source type	MLM	SLM / MLM	SLM
Spectral width at -20 dB (max)	NA	1 nm (SLM)	1 nm
RMS spectral width (max)	7.7 nm	3 nm (MLM)	NA
Mean launched power (max)	-8 dB	0 dB	0 dB
Mean launched power (min)	-15 dB	-5 dB	-5 dB
Side mode suppression ratio (min)	NA	30 dB / NA	30 dB
Extinction ratio (min)	8.2 dB	10 dB	10 dB
Mask of the eye diagram of the optical transmit signal	see G.957	see G.957	see G.957
Optical path between points S and R			
Maximum dispersion	96 ps/nm	NA / 246 ps/nm	NA
Attenuation range	0 - 12 dB	10 - 28 dB	10 - 28 dB
Optical return loss of the cable plant at point S including the optical connector	NA	NA	20 dB
Receiver at reference point R			
Sensitivity (min) at BER = 1×10^{-10}	-28 dBm	-34 dBm	-34 dBm
Overload (min)	-8 dBm	-10 dBm	-10 dBm
Optical path penalty	1 dB	1 dB	1 dB
Optical return loss of the receiver (min)	NA	NA	25 dB

STM-1 electrical modules (SFPs)

The following table lists some parameters and the End of Life power budget of the 155-Mbit/s electrical interface modules (SFPs).

Application	(Unit)	intra-office
Functional name/qualifier		SFP 155M-E
Apparatus code		OM155M-E
SDH Level	type	STM-1
Transmission rate	kbit/s	155,520 ± 20 ppm
Line coding	type	Bipolar with Coded Mark Inversion (CMI, G.703-12)

Application	(Unit)	intra-office
Return Loss (8 ... 240 MHz.)	dB	15
Maximum cable attenuation (78 MHz)	dB	12.7

Multi rate Single Fiber optical modules (SFPs)

The table below lists some parameters and the end of life power budgets for the STM-1, STM-4, 1 GbE Single-Fiber (Bidirectional) Short Haul optical modules (SFPs).

Application	Unit	Value			
		S-1.2/S-4.2	Downstream 1000BASE- BX10-D	S-1.1/S-4.1	Upstream 1000BASE- BX10-U
Data rate	Mbit/s	155/622	1250	155/622	1250
Target distance	km	15	20	15	20
<i>Transmitter at reference point S / TP2</i>					
Source type		SLM		SLM	
Wavelength	nm	1480 - 1500		1260 - 1360	
Max. Spectral width at -20 dB	nm	1		1	
Mean launched power (max)		0		0	
Mean launched power (min)	dBm	-6		-6	
Maximum mean launched power in case Tx_Disable = high	dBm	-45		-45	
Minimum extinction ratio	dB	6		6	
Transmitter eye mask definition		see G.957	see Table 59-6, IEEE802.3ah	see G.957	see Table 59-6, IEEE802.3ah
Maximum reflectance of transmitter, measured at S / TP2	dB	NA	-12	NA	-12
Maximum optical path penalty / Maximum transmitter and dispersion penalty	dB	1	3.3	1	3.3
<i>Optical path between S / TP2 and R / TP3</i>					
Available power budget (BER = 1×10^{-10})	dB	13.5	-	13.5	-

	Unit	Value			
Application		S-1.2/S-4.2	Downstream 1000BASE- BX10-D	S-1.1/S-4.1	Upstream 1000BASE- BX10-U
Data rate	Mbit/s	155/622	1250	155/622	1250
Target distance	km	15	20	15	20
Available power budget (BER = 1×10^{-12})	dB	12.5	12.5	12.5	12.5
Minimum attenuation	dB	0	0	0	0
Maximum dispersion	ps/nm	275	275	132	132
<i>Receiver at reference point R / TP3</i>					
Operating wavelength range	nm	1260 - 1360		1480 - 1500	
Minimum sensitivity (@ BER = 1×10^{-10})	dBm	-19.5	-	-19.5	-
Minimum sensitivity (@ BER = 1×10^{-12})	dBm	-18.5	-18.5	-18.5	-18.5
Minimum overload	dBm	0	0	0	0
Minimum return loss measured at R / TP3	dB	12		12	

The table below lists some parameters and the end of life power budgets for the STM-1, STM-4 Single-Fiber (Bidirectional) Long Haul optical modules (SFPs).

Direction		Downstream		Upstream	
Application code (ITU-T G.957)		Tx: L-1.2/L-4.2 Rx: L-1.1/L-4.1		Tx: L-1.1/L-4.1 Rx: L-1.2/L-4.2	
Data rate		155.52 Mbit/s and 622.08 Mbit/s		155.52 Mbit/s and 622.08 Mbit/s	
Target distance		40km		40km	
	Unit	BOL	EOL	BOL	EOL
Transmitter at reference point S					
Source type		SLM		SLM	
Nominal center wavelength	nm	1480 - 1580		1280 - 1335	

Spectral characteristics					
- maximum -20 dB spectral width	nm		1		1
- minimum side mode suppression ratio	dB		30		30
Mean launched power					
- maximum	dBm	+1.5	+2	+1.5	+2
- minimum	dBm	-4.5	-5	-2.5	-3
Maximum mean launched power in case Tx_Disable = high	dBm		-45		-45
Minimum extinction ratio	dB	10.7	10	10.7	10
Transmitter eye mask definition		see G.957		see G.957	
Eye mask margin	%	10		10	
Maximum reflectance of transmitter, measured at S	dB		-12		-12
Optical path between S and R					

Maximum attenuation (at a BER = 1*10 ⁻¹⁰)	dB		22		24
Minimum attenuation (at a BER = 1*10 ⁻¹⁰)	dB		10		10
Maximum dispersion (absolute value)	ps/nm		NA		172
Minimum optical return loss of cable plant at S, including any connectors	db		24		24
Receiver at reference point R					
Operating wavelength range	nm	1260 - 1360		1480 - 1600	
Minimum sensitivity (at a BER = 1*10 ⁻¹⁰)	dBm	-29.5	-28	-29.5	-28
Minimum overload	dBm	-7	-8	-7	-8
Maximum optical path penalty	dB	0.8	1	0.8	1
Nominal LOS assert level					
- maximum	dBm		-34		-34
- minimum	dBm		-40		-40
LOS hysteresis					
- maximum	dBm		4		4
- minimum	dBm		.5		.5

	Unit	Value
Application code (IEEE802.3ah)		100BASE-LX10 single-mode
Maximum channel insertion loss	dB	6
Minimum channel insertion loss	dB	0
Minimum and maximum dispersion	ps/nm	see Table 58-12, IEEE802.3ah
Maximum transmitter and dispersion penalty	dB	4.5
<i>Receiver at reference point TP3</i>		
Operating wavelength range	nm	1260 - 1360
Minimum sensitivity (@ BER = 1.0 *10 ⁻¹⁰)	dBm	-26
Minimum sensitivity (@ BER = 1.0*10 ⁻¹²)	dBm	-25
Stressed receiver sensitivity	dBm	-20.1
Minimum overload	dBm	-8
Total jitter (peak to peak) at TP3	ns	3.54
Minimum return loss	dB	12

Specification for optical Gigabit Ethernet Interfaces

1000BASE-SX/LX Gigabit Ethernet optical interfaces

- According to IEEE 802.3 (2000) Clause 38
- Pluggable optics for:
 - 1000BASE-SX (850 nm short haul, multi-mode)
 - 1000BASE-LX (1310 nm long haul, multi-mode or single-mode)

Specification 1000BASE-SX pluggable optic

The 1000BASE-SX pluggable optic (850 nm short haul, multi-mode) according to FDA/CDRH - 21 CFR 1010 & 1040 / IEC 60825).

The 1000BASE-SX pluggable optic complies with IEEE 802.3-2000 Clause 38.

The table below describes the various operating ranges for the 1000BASE-SX pluggable optic over each optical fiber type.

Fiber Type	Modal Bandwidth @ 850 nm (min. overfilled launch) (MHz × km)	Minimum range (m)
62.5 μm MMF	160	2 ... 220
62.5 μm MMF	200	2 ... 275
50 μm MMF	400	2 ... 500
50 μm MMF	500	2 ... 550
10 μm MMF	N/A	Not supported

The following table lists the specific optical characteristics for a 1000BASE-SX pluggable optic.

Application	1000BASE-SX
Bit rate	1.25Gb/s +/-100ppm
Operating wavelength range	760 - 860 nm
<i>Transmitter characteristics</i>	
Transmitter type	Shortwave Laser
T ^{rise} /T ^{fall} (max, 20–80%, λ > 830 nm)	0.26 ns
T ^{rise} /T ^{fall} (max, 20–80%, λ ≤ 830 nm)	0.21 ns
RMS spectral width (max)	0.85 nm
Average launch power (max)	Is the class 1 safety limit as defined by IEEE 802.3–2000 Clause 38.7.2. (i.e. -1.1 dBm)
Average launch power (min)	-9.5 dBm
Average launch power of OFF transmitter (max)	-30 dBm
Extinction ratio (min)	9 dB
RIN (max)	-117 dB/Hz
Mask of the eye diagram of the optical transmit signal	see IEEE802.3
<i>Receive Characteristics</i>	
Average receive power (max)	0 dBm
Receive sensitivity	-17 dBm
Return loss (min)	12 dB

Application	1000BASE-SX
Stressed receive sensitivity (measured with conformance test signal at TP3 for BER = 10 ⁻¹² at the eye center)	-12.5 dBm (62.5 μm MMF) -13.5 dBm (50 μm MMF)

The following table lists the specific *transmission* characteristics for a 1000BASE-SX pluggable optic.

Description	62.5 μm MMF
T _{rise} /T _{fall} (max, 20–80%, λ > 830 nm)	0.26 ns
T _{rise} /T _{fall} (max, 20–80%, λ ≤ 830 nm)	0.21 ns
RMS spectral width (max)	0.85 nm
Average launch power (max)	Is the class 1M safety limit as defined by IEEE 802.3–2000 Clause 38.7.2.
Average launch power (min)	-9.5 dBm
Average launch power of OFF transmitter (max)	-30 dBm (During all conditions when the PMA is powered in the OFF mode, the AC signal (data) into the transmit port will be valid encoded 8B/10B patterns except for short durations during system power-on-reset or diagnostics when the PMA is placed in a loopback mode.)
Extinction ratio (min)	9 dB
RIN (max)	-117 dB/Hz
Coupled Power Ratio (CPR) (radial overfilled launches, while they meet CPR ranges, should be avoided)	9 dB < CPR

The following table lists the specific *receive* characteristics for a 1000BASE-SX pluggable optic.

Description	62.5 μm MMF
Signaling speed (range)	1.25 ± 100 ppm
Wavelength (range)	770 to 860
Average receive power (max)	0 dBm
Receive sensitivity	-17 dBm
Return loss (min)	12 dB

Description	62.5 μm MMF
Stressed receive sensitivity (measured with conformance test signal at TP3 for BER = 10 ⁻¹² at the eye center) (measured with a transmit signal having a 9 dB extinction ratio; if another extinction ratio is used, the stressed received sensitivity should be corrected for the extinction ratio penalty)	-12.5 dBm (62.5 μm MMF) -13.5 dBm (50 μm MMF)
Vertical eye-closure penalty (is a test condition for measuring stressed receive sensitivity, it is not a required characteristic of the receiver)	2.60 dB (62.5 μm MMF) 2.20 dB (50 μm MMF)
Receive electrical 3 dB upper cutoff frequency (max)	1500 MHz

The following table lists the worst-case power budget and link penalties for a 1000BASE-SX pluggable optic. Link penalties are used for link budget calculations.

Description	Unit	62.5 μm MMF		50 μm MMF	
Modal bandwidth as measured at 850 nm (minimum, overfilled launch)	MHz × km	160	200	400	500
Link power budget	dB	7.5	7.5	7.5	7.5
Operating distance	m	220	275	500	550
Channel insertion loss (a wavelength of 830 nm is used to calculate the values)	dB	2.38	2.60	3.37	3.56
Link power penalties (a wavelength of 830 nm is used to calculate the values)	dB	4.27	4.29	4.07	3.57
Unallocated margin in link power budget (a wavelength of 830 nm is used to calculate the values)	dB	0.84	0.60	0.05	0.37

Specification 1000BASE-LX pluggable optic

The GE1/LX4 pluggable optic supports four fully independent bidirectional ports. Ethernet frames received from a GE1/LX4 port are mapped into STS-1s or VC-4s using Virtual Concatenation. The number of STS1s/VC-4s per virtual concatenated signal can be user provisioned as ≤ 21 STS1s/7 VC-4s at single STS1/VC-4s intervals. This will offer an effective capacity usage over a network from 50/155 to 1000 Mbit/s in steps of 50/155 Mbit/s.

The GE1/LX4 pluggable optic supports standard BLSR/MS-SPRing and UPSR/SNCP protection schemes on the individual STS1s/VC-4s that are part of the Virtually Concatenated signal.

The 1000BASE-LX pluggable optic uses a Low Power Laser (laser class 1/I according to FDA/CDRH - 21 CFR 1010 & 1040 / IEC 60825).

The 1000BASE-LX pluggable optic complies with IEEE 802.3-2000 Clause 38.

The table below describes the various operating ranges for the 1000BASE-LX pluggable optic over each optical fiber type.

Fiber Type	Modal Bandwidth @ 1300 nm (min. overfilled launch) (MHz × km)	Minimum range (meters)
62.5 μm MMF	500	2 to 550
50 μm MMF	400	2 to 550
50 μm MMF	500	2 to 550
10 μm SSMF	N/A	2 to 5000

The following table lists the specific optical characteristics for a 1000BASE-LX pluggable optic.

Application	1000BASE-LX pluggable optic
Bit rate	1.25Gb/s +/-100ppm
Operating wavelength range	1270 to- 1355 nm
<i>Transmitter Characteristics</i>	
Transmitter type	Shortwave Laser
T ^{rise} /T ^{fall} (max, 20–80%)	0.26 ns
RMS spectral width (max)	4 nm
Average launch power (max)	-3 dBm
Average launch power (min)	-11.5 dBm (62.5 μm and 50 μm MMF) / -11 dBm (10 μm SMF)
Average launch power of OFF transmitter (max)	-30 dBm
Extinction ratio (min)	9 dB
Mask of the eye diagram of the optical transmit signal	see IEEE802.3
RIN (max)	-117 dB/Hz
<i>Receive Characteristics</i>	
Average receive power (max)	-3 dBm

Application	1000BASE-LX pluggable optic
Receive sensitivity	-19 dBm
Return loss (min)	12 dB
Stressed receive sensitivity (measured with conformance test signal at TP3 for BER = 10 ⁻¹² at the eye center)	-14.4 dBm

The following table lists the specific transmission characteristics for a 1000BASE-LX pluggable optic.

Description	62.5 μm MMF
T _{rise} /T _{fall} (max, 20–80%)	0.26 ns
RMS spectral width (max)	4 nm
Average launch power (max)	-3 dBm
Average launch power (min)	-11.5 dBm (62.5 μm and 50 μm MMF) / -11 dBm (10 μm SMF)
Average launch power of OFF transmitter (max)	-30 dBm (During all conditions when the PMA is powered in the OFF mode, the AC signal (data) into the transmit port will be valid encoded 8B/10B patterns except for short durations during system power-on-reset or diagnostics when the PMA is placed in a loopback mode.)
Extinction ratio (min)	9 dB
RIN (max)	-117 dB/Hz
Coupled Power Ratio (CPR)	28 dB < CPR < 40 dB (62.5 μm MMF) 12 dB < CPR < 20 dB (50 μm MMF) N/A (10 μm SMF)

The following table lists the specific receive characteristics for a 1000BASE-LX pluggable optic.

Description	62.5 μm MMF
Average receive power (max)	-3 dBm
Receive sensitivity	-19 dBm
Return loss (min)	12 dB

Description	62.5 μm MMF
Stressed receive sensitivity (measured with conformance test signal at TP3 for BER = 10 ⁻¹² at the eye center)	-14.4 dBm
Vertical eye-closure penalty	2.60 dB
Receive electrical 3 dB cutoff frequency (max)	1500 MHz

The following table lists the worst-case power budget and link penalties for a 1000BASE-LX pluggable optic. Link penalties are used for link budget calculations.

Description	Unit	10 μm SMF
Modal bandwidth as measured at 1300 nm (minimum, overfilled launch)	MHz × km	N/A
Link power budget	dB	8
Operating distance	m	5000
Channel insertion loss (a wavelength of 1270 nm is used to calculate the values)	dB	4.57
Link power penalties (a wavelength of 1270 nm is used to calculate the values)	dB	3.27
Unallocated margin in link power budget (a wavelength of 1270 nm is used to calculate the values)	dB	0.16

Specification 1000BASE-ZX pluggable optic

The 1000BASE-ZX pluggable optic uses a Low Power Laser (laser class 1/I according to FDA/CDRH - 21 CFR 1010 & 1040 / IEC 60825).

The 1000BASE-ZX pluggable optic complies with IEEE 802.3-2002 Clause 38.

The following table lists the specific optical characteristics for a 1000BASE-ZX pluggable optic.

Application	1000BASE-ZX pluggable optic
Bit rate	1.25Gb/s +/-100ppm
Operating wavelength range	1500-1580 nm
<i>Transmitter at reference point TP2</i>	
Source type	SLM

Application	1000BASE-ZX pluggable optic
Spectral width at 20 dB	1.0 nm
Side mode suppression ratio (min)	30 dB
Mean launched power (max)	+5 dBm
Mean launched power (min)	0 dBm
Extinction ratio (min)	9.0 dB
Mask of the eye diagram of the optical transmit signal	see IEEE802.3
<i>Optical path between points TP2 and TP3</i>	
Optical return loss of the cable plant at point TP2 including the optical connector	20 dB
Maximum dispersion	1600 ps/nm
Attenuation range	5 - 21 dB
Optical path penalty (max)	1.5 dB
<i>Receiver at reference point TP3</i>	
Minimum sensitivity	-22.5 dBm
Overload (min)	0 dBm
Optical return loss of the receiver (min)	12 dB

Optical connector interfaces

The following table specifies the optical connector interfaces

Optical units	Optical connectors
Tributaries: LKA6 (SI-S1.1/4), LKA11 (SI-S4.1/1), LKA13 (SI-L1.2/4), LKA14 (SI-L4.2/1)	SC
Ethernet: LKA12 / LKA12 B (IP-GE/2)	Small Form factor Pluggable (SFP) device, normally equipped with an LC connector.
Ethernet: LKA53 (IP-GE/2)	Small Form factor Pluggable (SFP) device, normally equipped with an LC connector.
Ethernet: LKA53 (IP-GE/2F-OS)	Small Form factor Pluggable (SFP) device, normally equipped with an LC connector.
Ethernet: LKA58 (IP-GE/8F-OS)	Small Form factor Pluggable (SFP) device, normally equipped with an LC connector.

Optical units	Optical connectors
Core Units: LKA24 (SI-L16.1 C2/1), LKA25 (SI-L16.2 C2/1), LKA26 (SI-L64.2), LKA27 (SI-S64.2), LKA47 (SI-I64.1r), LKA8 (SI-16SFP C2/4)	Universal build out, which allows SC, FC and ST types of connectors; default is SC.
Tributary high-density: LKA50, LKA 39	LC

Optical transmitter and receiver types

The optical sources and detectors of the Alcatel-Lucent 1663 ADMu have the following technical specifications.

Optical circuit pack	Laser type	Optical detector	Hazard level (IEC-60825-2)
LKA6 (SI-S1.1/4 G.957 1310 nm)	FP (MLM)	PIN	1
LKA11 (SI-S4.1/1)	FP (MLM)	PIN	1
LKA12 / LKA12B(SI-IP-GE/2)		LC	1
LKA12B (SI-IP-GE/2)		LC	1
LKA13 (SI-L1.2/4 G.957 1550 nm)	DFB (SLM)	PIN	1
LKA14 (SI-L4.2/1)	DFB (SLM)	PIN	1
LKA24 (SI-L16.1 C2/1)	DFB (SLM)	APD	1
LKA25 (SI-L16.2 C2/1)	DFB (SLM)	APD	1
LKA26 (SI-L64.2b/3)	DFB + OA	PIN	1M
LKA27 (SI-S64.2b/3b)	DFB (SLM)	PIN	1
LKA53 (IP-GE/2)		LC	1
LKA58 (IP-GE/8F-OS)		LC	1
LKA47 (SI-I64.1r)	DFB	PIN	1
LKA211 (SI-EML64.11C1/1)	DFB	APD	1
LKA28 (SI-L64.2 C2/1)	DFB	APD	1
LKA281 (SI-U64.2 C2/1)	DFB+OA	APD	1
LKA29 (SI-S64.2 C2/1)	DFB	PIN	1
LKA49 (SI-I64.1r C2/1)	DFB	PIN	1
LKA350 (SI-V64.2 C2/1)	DFB+OA	APD	1M (OA with +11 .. +14 dBm)

The abbreviations used:

- APD: avalanche photo diode
- DFB: distributed feedback laser (= SLM)
- FP: fabry-perot (= MLM)
- LC: used for LC connector or LC interface
- MLM: multi longitudinal mode
- OA: optical amplifier output power 10...13 dBm at 1550 nm.
- PIN: Positive Intrinsic Negative (PIN) receiver.
- SLM: single longitudinal mode

Optical safety

The system is classified and labeled as specified in IEC 60825-1 and IEC 60825-2 “Radiation safety of laser products equipment, classification, requirements and users guide”. All parts of the equipment are designed for operation and maintenance without any hazards to personnel from optical radiation.

The following table provides an overview of the Alcatel-Lucent 1663 ADMu optical circuit pack specifications.

Optical circuit pack or transceiver module		Wavelength	Fiber type ¹ (core/cladding diameter)	Maximum output power for Hazard Level allocation	Hazard level ² (IEC / FDA)
Apparatus code	Optical interface type	[nm]	[µm]	[mW / dBm]	
<i>155 Mbit/s (STM-1)</i>					
LKA6	S-1.1	1310	SM (9/125)	0.15 / -8	1 / I
LKA13	L-1.2	1550	SM (9/125)	1 / 0	1 / I
OM155M-S1.1 (SFP)	S-1.1	1310	SM (9/125)	0.15 / -8	1 / I
OM155M-L1.1 (SFP)	L-1.1	1310	SM (9/125)	1 / 0	1 / I
OM155M-L1.2 (SFP)	L-1.2	1550	SM (9/125)	1 / 0	1 / I
OM155SF1 (SFP) ³	S-1.2/S-4.2/1000BASE-BX10-D	1490	SM (9/125)	0.63 / -2	1 / I
OM155SF2 (SFP) ³	S-1.1/S-4.1/1000BASE-BX10-U	1310	SM (9/125)	0.63 / -2	1 / I
OM155SF3 (SFP) ³	L-1.2/L-4.2	1550	SM (9/125)	1.6 / +2	1 / I
OM155SF4 (SFP) ³	L-1.1/L-4.1	1310	SM (9/125)	1.6 / +2	1 / IIIb
<i>622 Mbit/s (STM-4)</i>					
LKA11	S4.1	1310	SM (9/125)	0.15 / -8	1 / I
LKA14	L4.2	1550	SM (9/125)	1.6 / +2	1 / I

Optical circuit pack or transceiver module		Wavelength	Fiber type ¹ (core/cladding diameter)	Maximum output power for Hazard Level allocation	Hazard level ² (IEC / FDA)
Apparatus code	Optical interface type	[nm]	[μm]	[mW / dBm]	
OM622M-S4.1 (SFP)	S4.1	1310	SM (9/125)	0.15 / -8	1 / I
OM622M-L4.1 (SFP)	L4.1	1310	SM (9/125)	1.6 / +2	1 / IIIb
OM622M-L4.2 (SFP)	L4.2	1550	SM (9/125)	1.6 / +2	1 / I
<i>2.5 Gbit/s (STM-16)</i>					
LKA23	L-16.1	1310	SM (9/125)	1.6 / +2	1 / IIIb
LKA24	L-16.1	1310	SM (9/125)	1.6 / +2	1 / IIIb
LKA22	L-16.2	1550	SM (9/125)	2.0 / +3	1 / I
LKA25	L-16.2	1550	SM (9/125)	2.0 / +3	1 / I
LKA482 (with integrated optical amplifier)	(V-16.2) ⁴	1550	SM (9/125)	25.1 / +14	1M / IIIb
OM2G5-S16.1 (SFP)	S-16.1	1310	SM (9/125)	1 / 0	1 / I
OM2G5-I16.1 (SFP)	I-16	1310	SM (9/125)	0.5 / -3	1 / I
OM2G5-L16.1 (SFP)	L-16.1	1310	SM (9/125)	2.0 / +3	1 / IIIb
OM2G5-L16.2 (SFP)	L-16.2 / L-16.3	1550	SM (9/125)	2.0 / +3	1 / I
OM16CS51, OM16CS53, OM16CS55, OM16CS57	S-C8S1-1D2 acc. to ITU-T Rec. G.695	1510 ... 1570	SM (9/125)	3.2 / +5	1 / I
OM16CL51, OM16CL53, OM16CL55, OM16CL57	S-C8L1-1D2 acc. to ITU-T Rec. G.695	1510 ... 1570	SM (9/125)	3.2 / +5	1 / I
<i>10 Gbit/s (STM-64)</i>					
LKA27	S-64.2b / S-64.3b	1550	SM (9/125)	1.6 / +2	1 / I
LKA26	L-64.2b / L-64.3	1550	SM (9/125)	20 / +13	1M / IIIb
LKA47	I-64.1r	1310	SM (9/125)	0.8 / -1	1 / I
LKA29	S-64.2b / S-64.3b	1550	SM (9/125)	1.6 / +2	1 / I
LKA28	L-64.2c / L-64.3	1550	SM (9/125)	2.5 / +4	1 / I
LKA281	L-64.2c / L-64.3	1550	SM (9/125)	50.1 / +17	1M / IIIb
LKA49	I-64.1r	1310	SM (9/125)	0.8 / -1	1 / I
LKA350	(L-64.2c) ⁵	1550	SM (9/125)	25.1 / +14	1M / IIIb
OM10G-I64.1	I-64.1r / I-64.1 (XFP, 2 km reach)	1310	SM (9/125)	0.8 / -1	1 / I
OM10G-S64.2	S-64.2b / S-64.3b (XFP, 40 km reach)	1550	SM (9/125)	1.6 / +2	1 / I
OM10G-L64.2	L-64.2, P1L1-2D2 (XFP, 80 km reach)	1550	SM (9/125)	20 / +13	1M / IIIb

Optical circuit pack or transceiver module		Wavelength	Fiber type ¹ (core/cladding diameter)	Maximum output power for Hazard Level allocation	Hazard level ² (IEC / FDA)
Apparatus code	Optical interface type	[nm]	[μm]	[mW / dBm]	
<i>Fast Ethernet and Gigabit Ethernet</i>					
OM100BT-FX	100BASE-LX10	1310	SM (9/125)	0.15 / -8	1 / I
OMGBE-SX	1000BASE-SX	850	MM (50/125)	0.4 / -4	1 / I
OMGBE-LX	1000BASE-LX	1310	SM (9/125)	0.5 / -3	1 / I
OMGBE-ZX	1000BASE-ZX	1550	SM (9/125)	3.2 / +5	1 / I

Notes:

1. SM: Single-mode fiber, MM: multi-mode fiber.
2. In the event of a disconnected or broken fiber, the “hazard level” defines the potential optical hazard at any accessible location within an Optical Fiber Communication System (OFCS), based on the level of the radiant energy that could become accessible.
3. Single fiber bidirectional SFP.
4. Not standards compliant (close to V-16.2).
5. Not standards compliant (close to L-64.2c).

Electrical interfaces

Electrical interfaces

The electrical interfaces of the Alcatel-Lucent 1663 ADMu have the following technical specifications.

	1.5 Mbit/s	2 Mbit/s	34 Mbit/s	45 Mbit/s	STM-1	10/100 Mbit/s Base-T
Nominal bit rate	1544 kBit/s	2048 kBit/s	34.368 Mbit/s	44.736 Mbit/s	155.520 Mbit/s	10/100 Mbit/s
Line code	AMI (Alternate Mark Inversion) or B8ZS (Bipolar with 8-Zero Substitution).	HDB3 (G.703)	HDB3 (G.703)	B3ZS (ANSI T1.102-1987)	CMI (G.703)	IEEE 802.3-2000
Insertion loss	acc. to G.703	acc. to G.703	acc. to G.703	acc. to G.703	acc. to G.703	acc. to IEEE 802.3-2000
Return loss	acc. to G.703	acc. to G.703	acc. to G.703	acc. to G.703	acc. to G.703	acc. to IEEE 802.3-2000

Amplitude of the DS3 output signal

The amplitude/shape of the DS3 output signal can be provisioned to match the cable between the Alcatel-Lucent 1663 ADMu and the DDF, in such a way that the pulse shape at the DDF, which can be up to 450 feet away, meets the specification. Two signal levels can be provisioned in the transmitter, covering cable lengths between 0 ... 120 and 120 ... 450 feet. The receiver has an automatic line buildout capability to handle cable lengths between 0 ... 450 feet.

Mapping structure

Mapping structure

The following mapping structures are supported:

Between cross-connect and line/tributary interface, SDH mapping:

- C-4-16c ↔ VC-4-16c ↔ AU-4-16c ↔ AUG16 ↔ AUG64 ↔ STM-64
- C-4-16c ↔ VC-4-16c ↔ AU-4-16c ↔ AUG16 ↔ STM-16 (in STM-64 applications)
- AU-4 ↔ AUG1 ↔ AUG4 ↔ AUG16 ↔ AUG64 ↔ STM-64
- AU-4-4c ↔ AUG4 ↔ AUG16 ↔ STM-16
- AU-4 ↔ AUG1 ↔ AUG4 ↔ AUG16 ↔ STM-16
- AU-4 ↔ AUG1 ↔ AUG4 ↔ STM-4
- AU-4 ↔ AUG1 ↔ STM-1
- AU-4 ↔ VC-4 ↔ TUG-3 ↔ TU-3 ↔ VC-3 ↔ E3/DS3
- AU-4 ↔ VC-4 ↔ TUG-3 ↔ TUG-2 ↔ TU-12 ↔ VC-12 ↔ E1

Between cross-connect and tributary interface, with conversion from TU-3 to AU-3:

- AU-4 ↔ VC-4 ↔ TUG-3 ↔ TU-3 ↔ VC-3 ↔ AU-3 ↔ AUG1 ↔ STM-1 (OC-3)
- AU-4 ↔ VC-4 ↔ TUG-3 ↔ TU-3 ↔ VC-3 ↔ AU-3 AUG1 ↔ AUG4 ↔ STM-4 (OC-12)

Between cross-connect and tributary interface, Ethernet mapping:

- AU-4 ↔ VC-4 ↔ VC-4-Xv ↔ GFP or EoS ↔ Ethernet
- AU-4 ↔ VC-4 ↔ VC-3-Xv ↔ GFP or EoS ↔ Ethernet
- AU-4 ↔ VC-4 ↔ TUG-3 ↔ VC-12-Xv ↔ GFP or EoS ↔ Ethernet
- STM-4 ↔ AU4 ↔ TU12 ↔ VC12-Xv ↔ GFP/LAPS/PPP ↔ E/FE/GbE (LKA412)
- STM-4 ↔ AU4 ↔ TU3 ↔ VC3-Xv ↔ GFP/LAPS/PPP ↔ E/FE/GbE (LKA412)
- STM-4 ↔ AU4 ↔ VC4-Xv ↔ GFP/LAPS/PPP ↔ E/FE/GbE (LKA412)

Transmission performance

Specifications

The following specifications apply to the Alcatel-Lucent 1663 ADMu with regard to performance:

Jitter on STM-N interfaces	G.813, G.825
Jitter on PDH interfaces	G.823, G.783
Error Performance	G.826
Performance monitoring	G.784, G.826

Timing, network synchronization and timing references

The following specifications apply to the Alcatel-Lucent 1663 ADMu with regard to timing and synchronization.

References

Timing and synchronization is described at

- [“Timing architecture” \(p. 4-59\)](#)
- [“External timing reference inputs” \(p. 4-59\)](#)
- [“External timing reference outputs” \(p. 4-61\)](#)

External timing reference signals

The table below shows the specifications for external timing reference signals.

2048 kHz, according to G.703-10
2048 kbit/s, according to G.703-6 framed according to G.704
2048 kbit/s, according to G.703-6 unframed (AIS format)
6312 kHz for NE output (required for the Japanese market) The so-called MIOR-J unit converts two independent 2048 kHz signals coming from backplane to two independent 6312 kHz signals towards outside. The 2048 kHz signals are system station clock outputs.

The table below shows the specifications for timing input impedance.

Input impedance 75 Ω coax
Input impedance 120 Ω symmetrical

Oscillator

The internal oscillator has the following specifications:

Oscillator	Specification
Built-in oscillator Stratum-3	Accuracy 4.6 ppm acc. to G.813 option 1; stability 0.37 ppm/ first 24 hours

Timing modes

The timing modes are specified as follows:

Timing mode	Specification
Free running mode	Accuracy 4.6 ppm over 15 years
Hold-over mode	Accuracy 4.6 ppm of the frequency of the last source in two weeks
Locked mode with reference to	one of the <ul style="list-style-type: none"> • external sync. inputs • 2 Mbit/s tributary inputs • STM-N inputs
Automatic ref. signal switching	compliant with ETSI ETS 300 417–6
Support of Sync. Status Marker (SSM)	STM-1, STM-4, STM-16, and STM-64 interfaces 2 Mbit/s framed station clock

Power specifications

Power supply voltage

Voltage range, all components	–48 to –60 V battery voltages, CEPT T/TR02-02 (–40.5 V minimum, –72 V maximum)
Power feeders	Two power feeders

Worst case system power dissipation

Configuration	Power dissipation
Alcatel-Lucent 1663 ADMu 2.5G (Fully loaded system: 2 STM-16 core units, 1:4 protected 2 Mbit/s (63 ports), 2x(1+1) protected STM-1E (4 ports)).	390 W
Alcatel-Lucent 1663 ADMu 10 G (Fully loaded system : 2 STM-64 core units, 1:4 protected 2 Mbit/s (63 ports), 2x(1+1) protected STM-1E (12 ports) and one fan unit)	600 W
Alcatel-Lucent 1663 ADMu 10 G (Fully loaded system : 2 STM-64 core units, 9 times IP-GE/2F-OS (LKA53)	850 W

Power consumption per unit

The following specifications apply to Alcatel-Lucent 1663 ADMu with regard to typical power consumption of the individual parts/circuit packs.

Plugin units

The following informs about the power consumption of the plugin units. The power consumptions of the plugin units are listed without associated SFPs.

Item code	Short name	Description	Consumed power W
<i>System Controller</i>			
LKA1D	SC1	System Controller Plus	14,9
LKA21/LKA21B	SC2	System Controller 2	14,9
LKA20	SC3	System Controller 3	28,4

Item code	Short name	Description	Consumed power W
<i>Power and Cooling</i>			
FAN	FAN	Fan unit	19
PU	PU	Power unit	3,7
<i>STM-64 optical line port units (Core Units 10G application)</i>			
LKA26	SI-L64.2 C1/1	1 × STM-64 L64.2b/3, 1550 nm, CC-272/64	107
LKA27	SI-S64.2 C1/1	1 × STM-64 S64.2b/3b, 1550 nm, CC-272/64	103
LKA47	SI-I64.1r C1/1	1 × STM-64 I64.1r, 1310 nm, CC-272/64	99
LKA211	SI-EML64.11C1/1	10G 120km/pWDM 1 = 1552.52 193.1	103
LKA28	SI-L64.2 C2/1	1 × STM-64 L64.2c/3, 1550 nm, CC-272/128	116
LKA281	SI-U64.2 C2/1	1 × STM-64 U64.2c/3, 1550 nm, CC-272/128	107
LKA29	SI-S64.2 C2/1	1 × STM-64 S64.2b/3b, 1550 nm, CC-272/128	119
LKA49	SI-I64.1r C2/1	1 × STM-64 I64.1r, 1310 nm, CC-272/128	115
LKA350	SI-V64.2 C2/1	1 × STM-64 V64.2 1.5um CC-272/128	120
LKA60	SI-64 XFP C2/1	1 x STM-64 XFP CC-272/128 (with or without OBA)	105
LKA62	SI-64 XFP C4/2	2 x STM-64 Core Unit CC-832/128 with 2 XFP ports	135
<i>STM-16 optical line port units (Core Units 2.5G application)</i>			
LKA24	SI-L16.1 C2/1	1 × STM-16 L16.1, 1310 nm, CC-64/32	47.4
LKA25	SI-L16.2 C2/1	1 × STM-16 L16.1, 1550 nm, CC-64/32	47.4
LKA48	SI-16 SFP C2/4	4 x STM-16 SFP CC-272/128	116
LKA481	SI-16 SFP C3/1	1 x STM-16 SFP CC-176/64	73.1
LKA482	SI-16 VH C3/1 OBA	1 x STM-16 VH CC-176/64 OBA	79.9
<i>Optical tributary port units</i>			
LKA6	SI-S1.1/4	4 × STM-1 S1.1, 1310 nm	14
LKA11	SI-S4.1/1	1 × STM-4 S4.1, 1310 nm	19
LKA11B	SI-S4.1/1	1 × STM-4, 1310 nm	
LKA6B	SI-S1.1/4	4 × STM-1, 1310 nm	
LKA12	IP-GE/2	2 × GbE	41.9

Item code	Short name	Description	Consumed power W
LKA12B	IP-GE/2	2 × GbE	41.9
LKA53	IP-GE/2F-OS	2 x GbE	53.9
LKA58	IP-GE/8F-OS	8 x GbE	59.9
LKA13	SI-L1.2/4	4 × STM-1 L1.2, 1550 nm	10.4
LKA13B	SI-L1.2/4	4 × STM-1, 1550 nm	
LKA14	SI-L4.2/1	1 × STM-4 L4.2, 1550 nm (ITU-T G.957; 10 ... 24 dB)	13.2
LKA14B	SI-L4.2/1	1 × STM-4, 1550 nm (ITU-T G.957; 10 ... 24 dB)	
LKA22	SI-L16.2/1	1 × STM-16 L16.2, 1550 nm (ITU-T G.957; 10 ... 24 dB)	47.4
LKA23	SI-L16.1/1	1 × STM-16 L16.1, 1310 nm (ITU-T G.957; 10 ... 25 dB)	47.4
LKA39	SI-1/16-4/4	Parent pack for , STM-1/STM-4 main board SFP To be used with PBP5/ 6/ 8	14.5 (without paddle boards and SFPs)
LKA50	SI-x16 SFP/1	Tributary unit using STM-16 SFP's	11 (without SFP)
LKA146	SI-16/4/1/M	Parent pack for STM-16, STM-4, STM-1o and STM-1e To be used with PBP9	47.6 (without paddle board)
OMGBE-SX	SX-GBE	SX-Gigabit Ethernet Module	1
OMGBE-LX	LX-GBE	LX-Gigabit Ethernet Module	1
OMGBE-ZX	ZX-GBE	ZX-Gigabit Ethernet Module	1.1
<i>Electrical tributary circuit packs</i>			
LKA2	PI-E1/63	63 × 2 Mbit/s	11.4
LKA3	SI-1/4	4 × STM-1e (155 Mbit/s)	10.4
LKA4	IP-LAN/8	8 × Ethernet 10/100 Mbit/s	41.1
LKA412	IP-LAN/12	12 × Ethernet 10/100 Mbit/s	35
LKA8B	PI-E3DS3/12	12 × E3/DS3 (34/45 Mbit/s, switchable)	29.29
LKA16	PI-DS1/63	63 × 1.55 Mbit/s	22 ± 0.2W

STM-64 optical XFPs

Item code	Description	Consumed power (worst case) [W]
OM10G-I64.1	XFP I-64.1r/I-64.1 (2km)	2,5
OM10G-S64.2	XFP 10G-S-64.2b/S-64.3b (40km)	3,5
OM10G-L64.2	XFP 10G-L-64.2, P1L1-2D2 (80km)	3,5

STM-16 optical line-SFPs.

The following informs about the power consumption of the STM-16 optical line-SFPs.

Item code	Description	Consumed power (worst case) [W]
OMI16	SFP 2G5-I16 / 2 km	1
OML16.1	SFP 2G5-L16.1 40 km	1
OML16.2	SFP 2G5-L16.2/3 80 km	1
OM16CL47	STM-16 cWDM SFP color 11 (1511nm) 80 km	1
OM16CL49	STM-16 cWDM SFP color 12 (1511nm) 80 km	1
OM16CL51	STM-16 cWDM SFP color 13 (1511nm) 80 km	1
OM16CL53	STM-16 cWDM SFP color 14 (1531nm) 80 km	1
OM16CL55	STM-16 cWDM SFP color 15 (1551nm) 80 km	1
OM16CL57	STM-16 cWDM SFP color 16 (1571nm) 80 km	1
OM16CL59	STM-16 cWDM SFP color 17 (1511nm) 80 km	1
OM16CL61	STM-16 cWDM SFP color 18 (1511nm) 80 km	1
OM16CS47	STM-16 cWDM SFP color 11 (1511nm) 40 km	1
OM16CS49	STM-16 cWDM SFP color 12 (1511nm) 40 km	1
OM16CS51	STM-16 cWDM SFP color 13 (1511nm) 40 km	1
OM16CS53	STM-16 cWDM SFP color 14 (1531nm) 40 km	1
OM16CS55	STM-16 cWDM SFP color 15 (1551nm) 40 km	1
OM16CS57	STM-16 cWDM SFP color 16 (1571nm) 40 km	1
OM16CS59	STM-16 cWDM SFP color 17 (1571nm) 40 km	1
OM16CS61	STM-16 cWDM SFP color 18 (1571nm) 40 km	1

STM-4 & 1 optical tributary interfaces:

The following informs about the power consumption of the STM-4 & 1 optical tributary interfaces.

Item code	Short name	Description	Consumed power (worst case) W
OMS4.1	SFP 622M-S4.1	SFP SH 15km S-4.1	1
OML4.1	SFP 622M-L4.1	SFP LH 40km L-4.1	1
OML4.2	SFP 622M-L4.2	SFP LH 80km L-4.2	1
OMS1.1	SFP 155M-S1.1	SFP SH 15km S-1.1	1
OML1.1	SFP 155M-L1.1	SFP LH 40km L-1.1	1
OML1.2	SFP 155M-L1.2	SFP LH 80km L-1.2	1
OM155SF1	SFP SFW-1490 BD-D	SFP SFW SH 15km S-1.2/S-4.2/1000BASE-BX10-D	1
OM155SF2	SFP SFW-1310 BD-U	SFP SFW SH 15km S-1.1/S-4.1/1000BASE-BX10-U	1
OM155SF3	SFP SFW-1550 BD-D	SFP SFW LH 40km L-1.2/L-4.2	1
OM155SF4	SFP SFW-1310 BD-U	SFP SFW LH 40km L-1.1/L-4.1	1

STM-1 electrical tributary interfaces:

The following informs about the power consumption of the STM-1 electrical tributary interfaces.

Item code	Short name	Description	Consumed power (worst case) W
OM155M-E	SFP 155M-E	SFP STM-1 electrical 100 m	0.65

Paddle boards

The following informs about the c of the paddle boards. The power consumptions of the paddle boards are listed without associated SFPs.

Item code	Short name	Description	Consumed power (worst case) W
PBE1	PB-E1/P75/63	Unprotected or protected 75 Ω applications, 63 channels	8.88

Item code	Short name	Description	Consumed power (worst case) W
PBE2	PB-E1/P120/63	Unprotected or protected 120 Ω applications, 63 channels, high density paddle board	8.88
PBE3	PB-E1e/P75/63	Unprotected or protected 75 Ω applications, 63 channels, enhanced version	8.88
PBE3D	PB-E1e/P75/63	Unprotected or protected 75 Ω applications, 63 channels, enhanced version with 15 pin sub-d connector	8.88
PBE4	PB-E1/P120/63	Unprotected or protected 120 Ω applications, 63 channels, high density paddle board	2
PBE41	PB-E1/P120/63	Unprotected or protected 120 Ω applications, 63 channels, high density paddle board	22
PBE12	PB-DS1/P100/63	Unprotected or protected 100 Ω applications, 63 channels, high density paddle board	8.88
PBG4	PB-E3DS3/75/12	Unprotected 75 Ω applications, 12 channels	0.15
PBP1	PB-E3DS3/75/P12	Protected 75 Ω applications, 12 channels	2
PBG2	PB-1/P75/4S	Unprotected 75 Ω applications, 4 channels	0.15
PBP2	PB-1/P75/4D	Protected 75 Ω applications, 4 channels	2.4
PBP5	PB-1/75/12S	Unprotected 75 Ω applications, 12 channels	8.5
PBP6	PB-1/P75/12D	Protected 75 Ω applications, 12 channels	15
PBP8	PB-STM-1o/e/6	6 SFP cages for STM-1o and/or STM-1e interfaces	6
PBP9	PB-STM-4/1o/e/6	6 SFP cages for STM-4 and/or STM-1o and/or STM-1e interfaces	6
PBO12	PB-OPT/12 SFP	Unprotected 10/100Base—T LAN 12 channels	1
PBL12	PB-LAN/100/12	Unprotected 10/100Base—T LAN 12 channels	1
PBG1	PB-LAN/100/8	Unprotected 10/100Base—T LAN 8 channels	0.4

Physical system specifications

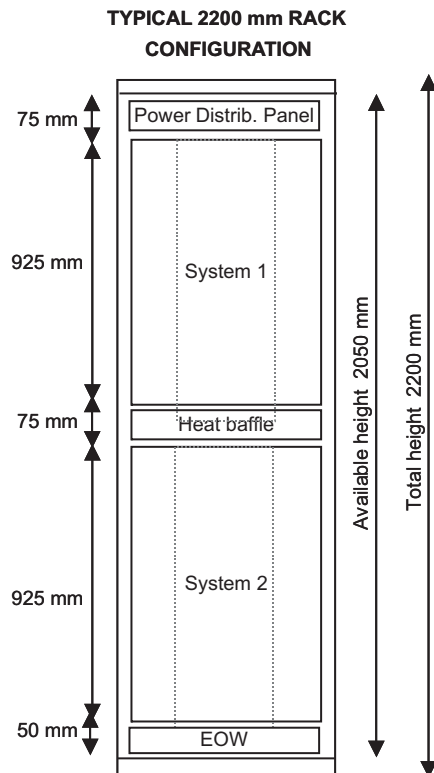
Dimensions

Rack: 2200 × 600 × 300 mm (H × W × D)

Rack: 2600 × 600 × 300 mm (H × W × D)

The following table shows the available racks and their dimensions.

Short name	Dimension (mm H × W × D)
Rack 2200 “new style”	ETSI Rack 600 × 300 × 2200
Rack 2000 “new style”	ETSI Rack 600 × 300 × 2000
Rack 2600 “new style”	ETSI Rack 600 × 300 × 2600
Rack 2200 “old style”	ETSI Rack 600 × 300 × 2200
Rack 2600 “old style”	ETSI Rack 600 × 300 × 2600
Power Distribution Panel PDP	



Dimensions of the subracks

Refer to “[Subrack](#)” (p. 4-14).

System weight

The weight of a Alcatel-Lucent 1663 ADMu (including internal cables) is < 70 kg for all configurations.

Electrical connectors

All electrical interfaces are connected to the special paddle boards that are used for the electrical boards.

Environment

The environment is compliant with the specifications of EN300 019-1-3 for a Class 3.1 Environment “Stationary use at weather protected locations”:

	Temperature range	Humidity	ETSI class
Normal operation	–5 °C to +45 °C	5 to 90 %	3.1e
Storage	–25 °C to +55 °C	up to 100%	1.2
Transport	–40 °C to +70 °C	up to 95 %	2.3

Network management

Specifications

The following specifications apply to the Alcatel-Lucent 1663 ADMu, release 6.1, with regard to network management:

- OMS, release 5.0
- Local workstation (ITM-CIT) access via RJ45 connections, V.10 (RS-232 compatible)/F-interface
- Access to ECCs via in-station Q-LAN interface.

Bandwidth management

Specifications

The following specifications apply to the Alcatel-Lucent 1663 ADMu with regard to bandwidth management:

- System capacity (2.5G application):
 - 176 x 176 STM-1 eqv. higher-order cross connecting (VC-4/4-4c/4-16c)
 - 64 × 64 STM-1 equivalents for VC 4
 - 64x64 STM-1eqv. lower-order cross connecting (VC- n , with n =12, 3 and VC-11 (when mapped as TU-12))
 - 32 × 32 STM-1 equivalents for VC 12 and VC-3
- System capacity (10G application):
 - 832 × 832 STM-1 equivalents for VC-4
 - 272 × 272 STM-1 equivalents for VC-4
 - 64 × 64 STM-1 equivalents for VC-12 and VC-3
- unidirectional and & bidirectional cross-connecting
- 1:9 broadcast connections type VC-4
- VC-4-4c concatenation and VC-4-16c concatenation
- unidirectional drop & continue (e.g. for dual node interworking)
- bridging commands for in-service rearrangement of circuits
- support of virtual concatenation (VC-12–xv, VC-3–xv and VC-4–xv) for mapping of GFP/EoS encapsulated Ethernet frames.

Processing of overhead bytes

Regenerator Section overhead byte usage

The table below shows the usage of RSOH bytes at the STM-1, STM-4, STM-16, and STM-64 interfaces.

RSOH bytes	Function	STM-1o inter-station	STM-1e intra-station	STM-4	STM-16	STM-64
A1, A2	Framing	x	x	x	x	x
JO	Trace identifier	x	x	x	x	x
Z0	Spare bytes, for future international standardization					
B1	BIP-8 on RS	x	x	x	x	x
D1-D3	Data Communications Channel (DCC)	x	x	x	x	x
E1 #	OW channel	x	x	x	x	x
F1 #	User channel	x	x	x	x	x
RS-NU	National usage					

Usage of Multiplex Section overhead byte

The table below shows the usage of MSOH bytes at the STM-1, STM-4, STM-16, and STM-64 interfaces.

MSOH bytes	Function	STM-1o inter-station	STM-1e intra-station	STM-4	STM-16	STM-64
B2	BIP-N × 24 on MS	x	x	x	x	x
K1, K2 (bits 1 ... 5)	Automatic protection switch	x	x	x	x	x
K2 (bits 6 ... 8)	MS AIS/RDI Indicator	x	x	x	x	x
D4 ... D12	Data Communications Channel (DCC)	x	x	x	x	x
S1 (bits 5 ... 8)	Synchronization status message	x	x	x	x	x
M0	Remote Error Indication (REI) byte, transmit only					x

MSOH bytes	Function	STM-1o inter-station	STM-1e intra-station	STM-4	STM-16	STM-64
M1	Remote Error Indication (REI) byte, transmit only	x	x	x	x	x
E2 #	Order wire channel	x	x	x	x	xx

STM-64 Overhead Access: M0, M1 source (MS-REI)

Source direction:

In every STM-64 MS termination point the Remote Error Information (REI) is written in the M0 and M1 byte (9,6,1). The REI bytes shall be set to convey the count of interleaved bit blocks that have been detected in error by the BIP-1536 (in the range of [0, 1536]). M0 bit 1 is most significant bit and M1 bit 8 is least significant bit. If interworking with old equipment supporting the single byte REI in M1, the value conveyed is truncated at 255 and inserted in M1. Usage is in conformance with ITU-T Rec. G.707 and ETSI ETS 300417."

STM-64 Overhead Access: M0, M1 sink (MS-REI)

Sink direction:

In every STM-64 MS termination point the received REI is interpreted. If the REI of a received frame is unequal to zero, the corresponding number of errored blocks can be counted for far-end performance monitoring purposes. Usage is in conformance with ITU-T Rec. G.707 (table 9-7 and also table 9-8 for interworking with old equipment that supports the M1 byte only) and ETSI ETS 300417. When this feature is not supported or disabled, the incoming M0 and M1 byte is ignored."

Path overhead bytes VC-3/4/4-4C/4-16C

VC-3/4/4-4c/4-16c	Function	Core
J1	Path-trace identifier	x
B3	BIP-8	x
C2	Signal label	x
G1	REI/RDI (transmit only)	x
F2	User channel	set to 0

VC-3/4/4-4c/4-16c	Function	Core
H4	Multiframe indicator Provides a general multiframe indicator for VC-structured payloads. Provides a multiframe and sequence indicator for virtual VC-3/4 concatenation/LCAS.	x
F3	As F2	set to 0
K3	VC trail protection	set to 0
N1	Tandem-connection OH	set to 0

Path overhead bytes VC-12

VC-12 POH bytes	Function	2 Mbit/s unit
V5 (bits 1,2)	BIP-2	x
V5 (bit 3)	REI (transmit only)	x
V5 (bit 4)		set to 0
V5 (bits 5,6, and 7)	Signal label	x
V5 (bit 8)	RDI (transmit only)	x
J2	Path trace	x
N2	Network operator	set to 0
K4		set to 0

x = supported

OAM&P

Specifications

The following specifications apply to the Alcatel-Lucent 1663 ADMu with regard to operation, administration, maintenance, and provisioning:

- Installation self-test
- Auto recovery after input-power failure
- Local operations and maintenance via faceplate LEDs, buttons on the SC, user panel, F-interfaces
- Centralized operations and maintenance via the Q-interface
- Software downloads via Q- and F-interfaces, DCC link
- Alarm categories for indication of alarm severity and station-alarm interface (9×)
- Local workstation (ITM-CIT)
- 8 × miscellaneous discrete inputs and 4 outputs.

Performance monitoring

Specifications

The following performance monitoring points are supported by the Alcatel-Lucent 1663 ADMu:

Trail Termination Points	Equipment
MS-1	Multiplex section of the STM-1 interfaces
MS-4	Multiplex section of the STM-4 interfaces
MS-16	Multiplex section of the STM-16 interfaces
MS-64	Multiplex section of the STM-64 interfaces
RS-1	Regenerator section of the STM-1 interfaces
RS-4	Regenerator section of the STM-4 interfaces
RS-16	Regenerator section of the STM-16 interfaces
RS-64	Regenerator section of the STM-64 interfaces
VC-12 TTP/CTP	for each of the VC-12 termination points
VC-3 TTP/CTP	for each of the VC-3 termination points
VC-4 TTP/CTP	for each of the VC-4 termination points

Historic bins

The network element keeps a store of the historic 15-minute and 24-hour bins according to the table below.

Interval	Number of historic bins	Total storage time
15 minute	16	4 hours
24 hours	1	1 day

Ethernet performance monitoring counters

The Ethernet performance monitoring counters can be categorized according to the different purposes they are serving.

The following types of counters can be distinguished:

- Counters for basic Ethernet performance monitoring
- Service monitoring:
 - Counters for Ethernet service flow performance monitoring

- Traffic management:
 - High quality traffic counters for Ethernet network load performance monitoring
 - Low quality traffic counters for Ethernet network load performance monitoring
 - Counters for Ethernet congestion monitoring
- Counters for IEEE 802.3ah OAM performance monitoring
- Counters for Ethernet service route round trip delay measurements

Ethernet PM counters per *TransLAN*[®] card

Ethernet performance monitoring counter	<i>TransLAN</i> [®] card			
	LKA4	LKA412	LKA12/ LKA12b	LKA53
Basic Ethernet performance monitoring counters	✓	✓	✓	✓
Ethernet service flow performance monitoring counters	✓	✓	–	✓
Ethernet high quality traffic counters	✓	✓	–	✓
Ethernet low quality traffic counters	✓	✓	–	✓
Ethernet congestion monitoring counters	–	–	–	✓
IEEE 802.3ah OAM performance monitoring counters	–	–	–	✓
Ethernet service route round trip delay measurements	✓	✓	–	✓

Supervision and alarms

Plug-in unit indication

LEDs

- LED continuously on diagnostic error
- LED flashing transmission signal error
- LED green activity continuously on (only on core units)

Ethernet electrical port LED indication

LED indicators

- Green: indicates the link status of a port
- Yellow: indicates the transmit and/or receive activity on a port.

Ethernet optical port LED indication (via SFP)

LED indicators

- Green LED: for Link status,
- Red: indicates the Fault status.
- Yellow: indicates the Activity status.

User panel

LED indicators:

- Power
- Prompt alarm
- Deferred alarm
- Info alarm
- Abnormal
- Suppressed (alarm cut-off)
- Station alarm disconnected
- Use CIT.

Push-buttons:

- Suppress (alarm cut-off)
- Disconnect station alarms.

Power unit

LED indicators

- Green feeder power
- Red central auxiliary supply failure.

Miscellaneous discretes

input/outputs

- 8 inputs
- 4 outputs

CIT

CIT connector F-interfaces V11/RS232

Access to embedded Data Communication Channels (DCC)

In-station Q-LAN interface, 10Base-T.

Spare part information

Recommended spare parts

The following tables indicate how many plug-in units, paddle boards and sub-racks are required for the customer's substitution spare stocks, assumed a 20 days lead time (contract specific). For more specific information please contact your Alcatel-Lucent local customer team.

The actual recommendable numbers can be calculated from the numbers below by multiplying them with the ratio of the contractual lead time to these 20 days

The following table shows the spare part numbers with 10 or multiples of 10 packs used:

Common

Type	Apparatus code	1 pack used	up to 10 packs used	up to 100 packs used	up to 1000 packs used	up to 10000 packs used
FAN unit	FAN	1	1	3	6	22
Power unit	PU	1	1	3	5	16
Misc. IO unit LEFT	MIO-L	1	1	1	3	7
Misc. IO unit RIGHT	MIO-R	1	1	2	4	9
Misc. IO unit RIGHT, Japan Version	MIOR-J	1	1	3	5	17
System Controller Plus SC1	LKA1D	1	2	4	12	58
System Controller Enhanced	LKA21	1	2	4	11	53
System Controller Enhanced	LKA21B	1	2	4	11	53
System Controller Plus SC3	LKA20	1	2	4	10	44

STM-16 and STM-64 Core Units

Type	Apparatus code	1 pack used	up to 10 packs used	up to 100 packs used	up to 1000 packs used	up to 10000 packs used
STM-16 SI-L16.1 C2/1 CC-64/32	LKA24	1	3	5	14	72
STM-16 SI-L16.2 C2/1 CC-64/32	LKA25	1	3	5	14	72

Type	Apparatus code	1 pack used	up to 10 packs used	up to 100 packs used	up to 1000 packs used	up to 10000 packs used
Core Unit 4 x STM-16 SFP CC-272/128 (without SFP) SI-16 SFP C2/4	LKA48	1	3	5	14	75
Core Unit 1 x STM-16 SFP CC-176/64 (without SFP) SI-16 SFP C3/1	LKA481	1	3	5	13	69
Core Unit 1 x STM-16 VH CC-176/64 OBA SI-16 VH C3/1 OBA	LKA482	1	3	5	15	77
Core Unit 256/64 STM-64 SI-L64.2, C1/1	LKA26	1	3	6	21	130
Core Unit 272/64 STM-64 SI-S64.2, C1/1	LKA27	1	3	6	20	122
CC-272/64 STM-64 SI-I64.1r C1	LKA47	1	3	6	19	111
Core Unit 256/64 10G SI-EML64.11C1/1	LKA211	1	3	6	20	117
STM-64 SI-64 XFP C2/1 CC-832/128	LKA60	1	2	4	13	64
STM-64 SI-64 XFP C4/2 CC-832/128	LKA62	1	3	5	13	67
STM-64 SI-L64.2 C2/1 CC-272/128	LKA28	1	3	6	19	113
STM-64 SI-U64.2 C2/1 CC-272/128	LKA281	1	3	5	15	80

Type	Apparatus code	1 pack used	up to 10 packs used	up to 100 packs used	up to 1000 packs used	up to 10000 packs used
STM-64 SI-S64.2 C2/1 CC-272/128	LKA29	1	3	6	19	109
STM-64 SI-I64.1r C2/1 CC-272/128	LKA49	1	3	5	15	82
STM-64 SI-V64.2 C2/1 CC-272/128	LKA350	1	3	6	19	115

Tributary units

Type	Apparatus code	1 pack used	up to 10 packs used	up to 100 packs used	up to 1000 packs used	up to 10000 packs used
1 x STM-16 L16.1 1.3um ITU	LKA23	1	2	4	11	52
1 x STM-16 L16.2 1.5um ITU	LKA22	1	2	4	11	52
STM-16 1500 nm SI-1/16-4/4	LKA39	1	2	4	11	54
STM-16 SI-x16 SFP/1	LKA50	1	2	4	9	38
STM-4 1300 nm SI-S4.1/1	LKA11	1	1	3	7	28
4 x STM-1 1300 nm SI-S1.1/4	LKA6	1	2	4	9	41
4 x STM-1 1500 nm SI-L1.2/4	LKA13	1	2	4	11	54
4 x STM-1e SI-1e/4	LKA3	1	1	3	7	28
63 x E1 PI-E1/63	LKA2	1	2	4	10	42
63 x DS1 (1.5 Mbit/s) PI-DS1/63	LKA16	1	1	3	8	30

Type	Apparatus code	1 pack used	up to 10 packs used	up to 100 packs used	up to 1000 packs used	up to 10000 packs used
STM-4 1550 nm SI-L4.2/1	LKA14	1	2	4	8	35
12 x E3/DS3 (switchable) PI-E3DS3/12	LKA8B	1	1	3	7	27
SI-16/4/1/M	LKA146	1	2	5	13	66
IP-LAN/8 (8 x E/FE)	LKA4	1	2	4	11	51
IP-LAN/12 (12 x E/FE)	LKA412	1	2	4	12	60
IP-GE/2	LKA12	1	2	4	12	57
IP-GE/2	LKA12B	1	2	4	12	57
IP-GE/2F-OS	LKA53	1	2	4	11	55
IP-GE/8F-OS	LKA58	1	2	5	13	65

Paddle boards

Type	Apparatus code	1 pack used	up to 10 packs used	up to 100 packs used	up to 1000 packs used	up to 10000 packs used
PB-1/75/P4S	PBG 2	1	1	2	4	9
PB-E3DS3/12	PBG 4	1	1	1	3	8
PB-LAN/100/8	PBG 1	1	1	3	5	15
PB-DS1/P100/63	PBE 12	1	1	2	5	13
PB-E1/75/63	PBE 5	1	1	1	3	8
PB-E1/P120/63	PBE 6	1	1	1	4	8
PB-E1/P75/63	PBE 3	1	1	3	7	27
PB-E1/P75/63	PBE3D	1	1	2	4	12
PB-E1/120/P63	PBE 4	1	1	2	4	12
PB-E1/120/P63	PBE 41	1	1	2	4	12
PB OPT/12 SFP	PBO12	1	1	3	6	18
PB LAN100/12	PBL12	1	1	3	5	15

Type	Apparatus code	1 pack used	up to 10 packs used	up to 100 packs used	up to 1000 packs used	up to 10000 packs used
PB-E3DS3/ P75/12	PBP1	1	1	3	6	19
PB-1/P75/4D	PBP2	1	1	2	4	13
PB-1/75/12S	PBP5	1	1	3	6	22
PB-1/P75/12D	PBP6	1	1	3	7	27
PB-E1/75/subD/63	PBP7	1	1	1	3	6
PB-STM-1o/e/6	PBP8	1	1	2	4	11
PB-STM-4/1o/e/6	PBP9	1	1	2	4	11

XFPs

Type	Apparatus code	1 pack used	up to 10 packs used	up to 100 packs used	up to 1000 packs used	up to 10000 packs used
XFP I-64.1r/I-64.1 (2 km)	OM10G-I64.1	1	1	3	5	16
XFP 10G-S-64.2b/S-64.3b (40 km)	OM10G-S64.2	1	1	3	5	16
XFP 10G-L-64.2, P1L1-2D2 (80 km)	OM10G-L64.2	1	1	3	5	16

SFPs

Type	Apparatus code	1 pack used	up to 10 packs used	up to 100 packs used	up to 1000 packs used	up to 10000 packs used
SFP I-16, 2 km	OM2G5-I16	1	1	2	4	12
SFP L-16.1, 40 km	OM2G5-L16.1	1	1	2	4	12
SFP L-16.1, LR-1, 40 km	OM2G5-L16.1	1	1	3	5	16
SFP L-16.2/3, 80 km	OM2G5-L16.2	1	1	2	4	12

Type	Apparatus code	1 pack used	up to 10 packs used	up to 100 packs used	up to 1000 packs used	up to 10000 packs used
SFP L-16.2, LR-2, 80 km	OM2G5-L16.2	1	1	3	5	17
SFP 2G5-S16.1, 15 km	OM2G5-S16.1	1	1	2	4	11
SFP SH S-4.1, 15 km	OM622M-S4.1	1	1	3	5	17
SFP L-4.1, 40 km	OM622M-L4.1	1	1	2	4	12
SFP L-4.2, 80 km	OM622M-L4.2	1	1	2	4	12
SFP L-4.2, LR-2, 80 km	OM622M-L4.2	1	1	2	4	10
SFP S-1.1, 15 km	OM155M-S1.1	1	1	2	4	12
SFP L-1.1, 40 km	OM155M-L1.1	1	1	2	4	12
SFP L-1.2, LH 80 km	OM155M-L1.2	1	1	2	4	12
SFP L-1.2, LR-2 80 km	OM155M-L1.2	1	1	2	4	10
SFP SFW-1490 BD-D	OM155SF1	1	1	2	4	11
SFP SFW-1310 BD-U	OM155SF2	1	1	2	4	11
SFP SFW-1550 BD-D	OM155SF3	1	1	3	5	14
SFP SFW-1310 BD-U	OM155SF4	1	1	3	5	14
STM-16 cWDM SFP color 11 (1470 nm) 80 km	OM16CL47	1	1	3	5	15
STM-16 cWDM SFP color 12 (1490 nm) 80 km	OM16CL49	1	1	3	5	15

Type	Apparatus code	1 pack used	up to 10 packs used	up to 100 packs used	up to 1000 packs used	up to 10000 packs used
STM-16 cWDM SFP color 13 (1510 nm) 80 km	OM16CL51	1	1	3	5	15
STM-16 cWDM SFP color 14 (1530 nm) 80 km	OM16CL53	1	1	3	5	15
STM-16 cWDM SFP color 15 (1550 nm) 80 km	OM16CL55	1	1	3	5	15
STM-16 cWDM SFP color 16 (1570 nm) 80 km	OM16CL57	1	1	3	5	15
STM-16 cWDM SFP color 17 (1590 nm) 80 km	OM16CL59	1	1	3	5	15
STM-16 cWDM SFP color 18 (1610 nm) 80 km	OM16CL61	1	1	3	5	15
STM-16 cWDM SFP color 11(1470 nm) 40 km	OM16CS47	1	1	2	4	12
STM-16 cWDM SFP color 12 (1490 nm) 40 km	OM16CS49	1	1	2	4	12
STM-16 cWDM SFP color 13 (1510 nm) 40 km	OM16CS51	1	1	2	4	12
STM-16 cWDM SFP color 14 (1530 nm) 40 km	OM16CS53	1	1	2	4	12
STM-16 cWDM SFP color 15 (1550 nm) 40 km	OM16CS55	1	1	2	4	12
STM-16 cWDM SFP color 16 (1570 nm) 40 km	OM16CS57	1	1	2	4	12

Type	Apparatus code	1 pack used	up to 10 packs used	up to 100 packs used	up to 1000 packs used	up to 10000 packs used
STM-16 cWDM SFP color 17 (1590 nm) 40 km	OM16CS59	1	1	2	4	12
STM-16 cWDM SFP color 18 (1610 nm) 40 km	OM16CS61	1	1	2	4	12
SFP STM-1 electrical 100 m	OM155M-E	1	1	2	4	9
SFP 100 BaseX Ethernet 10 km	OM100B-LX	1	1	2	4	11
SFP GbE 500m	OMGBE-SX	1	1	2	4	11
SFP GbE 5 km	OMGBE-LX	1	1	1	3	5
SFP GbE 70 km JDSU	OMGBE-ZX	1	1	2	4	11
SFP GbE 70 km Excelight	OMGBE-ZX	1	1	2	4	8

Dispersion compensation modules

Type	1 pack used	up to 10 packs used	up to 100 packs used	up to 1000 packs used	up to 10000 packs used
DCM/LC CPL DK-50	1	1	1	3	7
DCM/LC CPL DK-60	1	1	1	3	7

Recommended spare parts

The following table shows the spare part numbers with other various numbers of packs used:

Common

Type	Apparatus code	5 packs used	up to 10 packs used	up to 50 packs used	up to 100 packs used	up to 500 packs used	up to 1000 packs used	up to 2000 packs used
FAN unit	FAN	1	1	3	3	5	6	9

Type	Apparatus code	5 packs used	up to 10 packs used	up to 50 packs used	up to 100 packs used	up to 500 packs used	up to 1000 packs used	up to 2000 packs used
Power unit	PU	1	1	2	3	4	5	7
Misc. IO unit LEFT	MIO-L	1	1	1	1	3	3	4
Misc. IO unit RIGHT	MIO-R	1	1	1	2	3	4	4
Misc. IO unit RIGHT, Japan Version	MIOR-J	1	1	2	3	4	5	7
System Controller Plus SC1	LKA1D	1	2	4	4	8	12	18
System Controller Enhanced	LKA21	1	2	3	4	8	11	17
System Controller Enhanced	LKA21B	1	2	3	4	8	11	17
System Controller Plus SC3	LKA20	1	2	3	4	7	10	14

STM-16 and STM-64 core units

Type	Apparatus code	5 packs used	up to 10 packs used	up to 50 packs used	up to 100 packs used	up to 500 packs used	up to 1000 packs used	up to 2000 packs used
STM-16 SI-L16.1 C2/1 CC-64/32	LKA24	2	3	4	5	9	14	22
STM-16 SI-L16.2 C2/1 CC-64/32	LKA25	2	3	4	5	9	14	22
Core Unit 4 x STM-16 SFP CC-272/128 (without SFP) SI-16 SFP C2/4	LKA48	2	3	4	5	10	14	22
Core Unit 1 x STM-16 SFP CC-176/64 (without SFP) SI-16 SFP C3/1	LKA481	2	3	4	5	9	13	21

Type	Apparatus code	5 packs used	up to 10 packs used	up to 50 packs used	up to 100 packs used	up to 500 packs used	up to 1000 packs used	up to 2000 packs used
Core Unit 1 x STM-16 VH CC-176/64 OBA SI-16 VH C3/1 OBA	LKA482	2	3	4	5	10	15	23
Core Unit 256/64 STM-64 SI-L64.2, C1/1	LKA26	3	3	5	6	14	21	35
Core Unit 272/64 STM-64 SI-S64.2, C1/1	LKA27	3	3	5	6	13	20	33
CC-272/64 STM-64 SI-I64.1r C1	LKA47	2	3	4	6	12	19	30
Core Unit 256/64 10G SI-EML 64. 11C1/1	LKA211	2	3	5	6	13	20	32
STM-64 SI-64 XFP C2/1 CC-832/128	LKA60	2	2	4	4	9	13	19
STM-64 SI-64 XFP C4/2 CC-832/128	LKA62	2	3	4	5	9	13	20
STM-64 SI-L64.2 C2/1 CC-272/128	LKA28	2	3	4	6	13	19	31
STM-64 SI-U64.2 C2/1 CC-272/128	LKA281	2	3	4	5	10	15	23
STM-64 SI-S64.2 C2/1 CC-272/128	LKA29	2	3	4	6	12	19	30

Type	Apparatus code	5 packs used	up to 10 packs used	up to 50 packs used	up to 100 packs used	up to 500 packs used	up to 1000 packs used	up to 2000 packs used
STM-64 SI-I64.1r C2/1 CC-272/128	LKA49	2	3	4	5	10	15	24
STM-64 SI-V64.2 C2/1 CC-272/128	LKA350	2	3	4	6	13	19	31

Tributary units

Type	Apparatus code	5 packs used	up to 10 packs used	up to 50 packs used	up to 100 packs used	up to 500 packs used	up to 1000 packs used	up to 2000 packs used
1 x STM-16 L16.1 1.3 um ITU	LKA23	1	2	3	4	8	11	17
1 x STM-16 L16.2 1.5 um ITU	LKA22	1	2	3	4	8	11	17
STM-16 1500 nm SI-1/16-4/4	LKA39	1	2	3	4	8	11	17
STM-16 SI-x16 SFP/1	LKA50	1	2	3	4	6	9	13
STM-4 1300 nm SI-S4.1/1	LKA11	1	1	3	3	5	7	10
4 x STM-1 1300 nm SI-S1.1/4	LKA6	1	2	3	4	7	9	14
4 x STM-1 1500 nm SI-L1.2/4	LKA13	1	2	3	4	8	11	17
4 x STM-1e SI-1e/4	LKA3	1	1	3	3	5	7	10

Type	Apparatus code	5 packs used	up to 10 packs used	up to 50 packs used	up to 100 packs used	up to 500 packs used	up to 1000 packs used	up to 2000 packs used
63 x E1 PI-E1/63	LKA2	1	2	3	4	7	10	14
63 x DS1 (1.5 Mbit/s) PI-DS1/63	LKA16	1	1	3	3	6	8	11
STM-4 1550 nm SI-L4.2/1	LKA14	1	2	3	4	6	8	12
12 x E3/DS3 (switchable) PI-E3DS3/12	LKA8B	1	1	3	3	5	7	10
SI-16/4/1/M	LKA146	2	2	4	5	9	13	20
IP-LAN/8 (8 x E/FE)	LKA4	1	2	3	4	8	11	16
IP-LAN/12 (12 x E/FE)	LKA412	2	2	4	4	8	12	18
IP-GE/2	LKA12	1	2	3	4	8	12	18
IP-GE/2	LKA12B	1	2	3	4	8	12	18
IP-GE/2F-OS	LKA53	1	2	3	4	8	11	17
IP-GE/8F-OS	LKA58	2	2	4	5	9	13	20

Paddle boards

Type	Apparatus code	5 packs used	up to 10 packs used	up to 50 packs used	up to 100 packs used	up to 500 packs used	up to 1000 packs used	up to 2000 packs used
PB-1/75/P4S	PBG2	1	1	1	2	3	4	5
PB-E3DS3/12	PBG4	1	1	1	1	3	3	4
PB-LAN/100/8	PBG1	1	1	2	3	4	5	6
PB-DS1/ P100/63	PBE12	1	1	2	2	4	5	6
PB-E1/75/63	PBE5	1	1	1	1	3	3	4
PB-E1/P120/63	PBE6	1	1	1	1	3	3	4
PB-E1/P75/63	PBE3	1	1	3	3	5	7	10

Type	Apparatus code	5 packs used	up to 10 packs used	up to 50 packs used	up to 100 packs used	up to 500 packs used	up to 1000 packs used	up to 2000 packs used
PB-E1/P75/63	PBE3D	1	1	2	2	4	4	6
PB-E1/120/P63	PBE4	1	1	2	2	4	4	6
PB-E1/120/P63	PBE 41	1	1	2	2	4	4	6
PB OPT/12 SFP	PBO12	1	1	2	3	4	6	8
PB LAN100/12	PBL12	1	1	2	3	4	5	6
PB-E3DS3/P75/12	PBP1	1	1	2	3	4	6	8
PB-1/P75/4D	PBP2	1	1	2	2	4	4	6
PB-1/75/12S	PBP5	1	1	3	3	5	6	9
PB-1/P75/12D	PBP6	1	1	3	3	5	7	10
PB-E1/75/subD/63	PBP7	1	1	1	1	2	3	3
PB-STM-1o/e/6	PBP8	1	1	1	2	3	4	5
PB-STM-4/1o/e/6	PBP9	1	1	1	2	3	4	5

XFPs

Type	Apparatus code	5 packs used	up to 10 packs used	up to 50 packs used	up to 100 packs used	up to 500 packs used	up to 1000 packs used	up to 2000 packs used
XFP I-64.1r/I-64.1 (2 km)	OM10G-I64.1	1	1	2	3	4	5	7
XFP 10G-S-64.2b/S-64.3b (40 km)	OM10G-S64.2	1	1	2	3	4	5	7
XFP 10G-L-64.2, P1L1-2D2 (80 km)	OM10G-L64.2	1	1	2	3	4	5	7

SFPs

Type	Apparatus code	5 packs used	up to 10 packs used	up to 50 packs used	up to 100 packs used	up to 500 packs used	up to 1000 packs used	up to 2000 packs used
SFP I-16, 2 km	OM2G5-I16	1	1	1	2	4	4	6
SFP L-16.1, 40 km	OM2G5-L16.1	1	1	2	2	4	4	6
SFP L-16.1, LR-1, 40 km	OM2G5-L16.1	1	1	2	3	4	5	7
SFP L-16.2/3, 80 km	OM2G5-L16.2	1	1	2	2	4	4	6
SFP L-16.2, LR-2, 80 km	OM2G5-L16.2	1	1	2	3	4	5	7
SFP 2G5-S16.1, 15 km	OM2G5-S16.1	1	1	1	2	3	4	5
SFP SH S-4.1, 15 km	OM622M-S4.1	1	1	2	3	4	5	7
SFP L-4.1, 40 km	OM622M-L4.1	1	1	2	2	4	4	6
SFP L-4.2, 80 km	OM622M-L4.2	1	1	2	2	4	4	6
SFP L-4.2, LR-2, 80 km	OM622M-L4.2	1	1	1	2	3	4	5
SFP S-1.1, 15 km	OM155M-S1.1	1	1	2	2	4	4	6
SFP L-1.1, 40 km	OM155M-L1.1	1	1	2	2	4	4	6
SFP L-1.2, LH 80 km	OM155M-L1.2	1	1	1	2	3	4	6
SFP L-1.2, LR-2, 80 km	OM155M-L1.2	1	1	1	2	3	4	5
SFP SFW-1490 BD-D	OM155SF1	1	1	1	2	3	4	5
SFP SFW-1310 BD-U	OM155SF2	1	1	1	2	3	4	5

Type	Apparatus code	5 packs used	up to 10 packs used	up to 50 packs used	up to 100 packs used	up to 500 packs used	up to 1000 packs used	up to 2000 packs used
SFP SFW-1550 BD-D	OM155SF3	1	1	2	3	4	5	6
SFP SFW-1310 BD-U	OM155SF4	1	1	2	3	4	5	6
STM-16 cWDM SFP color 11 (1470 nm) 80 km	OM16CL47	1	1	2	3	4	5	6
STM-16 cWDM SFP color 12 (1490 nm) 80 km	OM16CL49	1	1	2	3	4	5	6
STM-16 cWDM SFP color 13 (1510 nm) 80 km	OM16CL51	1	1	2	3	4	5	6
STM-16 cWDM SFP color 14 (1530 nm) 80 km	OM16CL53	1	1	2	3	4	5	6
STM-16 cWDM SFP color 15 (1550 nm) 80 km	OM16CL55	1	1	2	3	4	5	6
STM-16 cWDM SFP color 16 (1570 nm) 80 km	OM16CL57	1	1	2	3	4	5	6
STM-16 cWDM SFP color 17 (1590 nm) 80 km	OM16CL59	1	1	2	3	4	5	6
STM-16 cWDM SFP color 18 (1610 nm) 80 km	OM16CL61	1	1	2	3	4	5	6

Type	Apparatus code	5 packs used	up to 10 packs used	up to 50 packs used	up to 100 packs used	up to 500 packs used	up to 1000 packs used	up to 2000 packs used
STM-16 cWDM SFP color 11(1470 nm) 40 km	OM16CS47	1	1	1	2	3	4	6
STM-16 cWDM SFP color 12 (1490 nm) 40 km	OM16CS49	1	1	1	2	3	4	6
STM-16 cWDM SFP color 13 (1510 nm) 40 km	OM16CS51	1	1	1	2	3	4	6
STM-16 cWDM SFP color 14 (1530 nm) 40 km	OM16CS53	1	1	1	2	3	4	6
STM-16 cWDM SFP color 15 (1550 nm) 40 km	OM16CS55	1	1	1	2	3	4	6
STM-16 cWDM SFP color 16 (1570 nm) 40 km	OM16CS57	1	1	1	2	3	4	6
STM-16 cWDM SFP color 17 (1590 nm) 40 km	OM16CS59	1	1	1	2	3	4	6
STM-16 cWDM SFP color 18 (1610 nm) 40 km	OM16CS61	1	1	1	2	3	4	6
SFP STM-1 electrical 100 m	OM155M-E	1	1	1	2	3	4	5
SFP 100 BaseX Ethernet 10 km	OM100B-LX	1	1	1	2	3	4	5

Type	Apparatus code	5 packs used	up to 10 packs used	up to 50 packs used	up to 100 packs used	up to 500 packs used	up to 1000 packs used	up to 2000 packs used
SFP GbE 500m	OMGBE-SX	1	1	1	2	3	4	5
SFP GbE 5 km	OMGBE-LX	1	1	1	1	2	3	3
SFP GbE 70 km JDSU	OMGBE-ZX	1	1	1	2	3	4	5
SFP GbE 70 km Excelight	OMGBE-ZX	1	1	1	2	3	4	4

Dispersion compensation modules

Type	5 packs used	up to 10 packs used	up to 50 packs used	up to 100 packs used	up to 500 packs used	up to 1000 packs used	up to 2000 packs used
DCM/LC CPL DK-50	1	1	1	1	3	3	4
DCM/LC CPL DK-60	1	1	1	1	3	3	4

Appendix A: An SDH overview

Overview

Purpose

This chapter briefly describes the Synchronous Digital Hierarchy (SDH).

Synchronous Digital Hierarchy

In 1988, the ITU-T (formerly CCITT) came to an agreement on the Synchronous Digital Hierarchy (SDH). The corresponding ITU-T Recommendation G.707 forms the basis of a global, uniform optical transmission network. SDH can operate with plesiochronous networks and therefore allows the continuous evolution of existing digital transmission networks.

The major features and advantages of SDH are:

- Compatibility of transmission equipment and networks on a worldwide basis
- Uniform physical interfaces
- Easy cross-connection of signals in the network nodes
- Possibility of transmitting PDH (Plesiochronous Digital Hierarchy) tributary signals at bit rates commonly used at present
- Simple adding and dropping of individual channels without special multiplexers (add/drop facility)
- Easy transition to higher transmission rates
- Due to the standardization of the network element functions SDH supports a superordinate network management and new monitoring functions and provides transport capacity and protocols (Telecommunication Management Network, TMN) for this purpose in the overheads of the multiplex signals.
- High flexibility and user-friendly monitoring possibilities, e.g. end-to-end monitoring of the bit error ratio.

Purpose of SDH

The basic purpose of SDH is to provide a standard synchronous optical hierarchy with sufficient flexibility to accommodate digital signals that currently exist in today's network, as well as those planned for the future.

SDH currently defines standard rates and formats and optical interfaces. Today, mid-span meet is possible at the optical transmission level. These and other related issues continue to evolve through the ITU-T committees.

ITU-T addressed issues

The set of ITU-T Recommendations defines

- Optical parameters
- Multiplexing schemes to map existing digital signals (PDH) into SDH payload signals
- Overhead channels to support standard operation, administration, maintenance, and provisioning (OAM&P) functions
- Criteria for optical line Automatic Protection Switch (APS)

References

For more detailed information on SDH, refer to

- ITU-T Recommendation G.703, "Physical/electrical characteristics of hierarchical digital interfaces", October 1996
- ITU-T Recommendation G.707, "Network Node Interface For The Synchronous Digital Hierarchy (SDH)", March 1996
- ITU-T Recommendation G.780, "Vocabulary of terms for synchronous digital hierarchy (SDH) networks and equipment", November 1993
- ITU-T Recommendation G.783, "Characteristics of Synchronous Digital Hierarchy (SDH) Multiplexing Equipment Functional Blocks", April 1997
- ITU-T Recommendation G.784, "Synchronous Digital Hierarchy (SDH) Management", January 1994
- ITU-T Recommendation G.785, "Characteristics of a flexible multiplexer in a synchronous digital hierarchy environment", November 1996
- ITU-T Recommendation G.813, "Timing characteristics of SDH equipment slave clocks (SEC)", August 1996
- ITU-T Recommendation G.823, "The control of jitter and wander within digital networks which are based on the 2048-kbit/s hierarchy", March 1993
- ITU-T Recommendation G.825, "The control of jitter and wander within digital networks which are based on the synchronous digital hierarchy (SDH)", March 1993

-
- ITU-T Recommendation G.826, “ Error performance Parameters and Objectives for International, Constant Bit Rate Digital Paths at or Above the Primary Rate”, February 1999
 - ITU-T Recommendation G.957, “Optical interfaces for equipments and systems relating to the synchronous digital hierarchy“, July 1995

Contents

SDH signal hierarchy	A-4
SDH path and line sections	A-6
SDH frame structure	A-9
SDH digital multiplexing	A-11
SDH interface	A-13
SDH multiplexing process	A-14
SDH demultiplexing process	A-15
SDH transport rates	A-16

SDH signal hierarchy

This section describes the basics of the SDH hierarchy.

STM-1 Frame

The SDH signal hierarchy is based on a basic “building block” frame called the Synchronous Transport Module 1 (STM-1), as shown in “[SDH STM-1 frame](#)” (p. A-5).

The STM-1 frame has a rate of 8000 frames per second and a duration of 125 microseconds

The STM-1 frame consists of 270 columns and 9 rows.

Each cell in the matrix represents an 8-bit byte.

Transmitting Signals

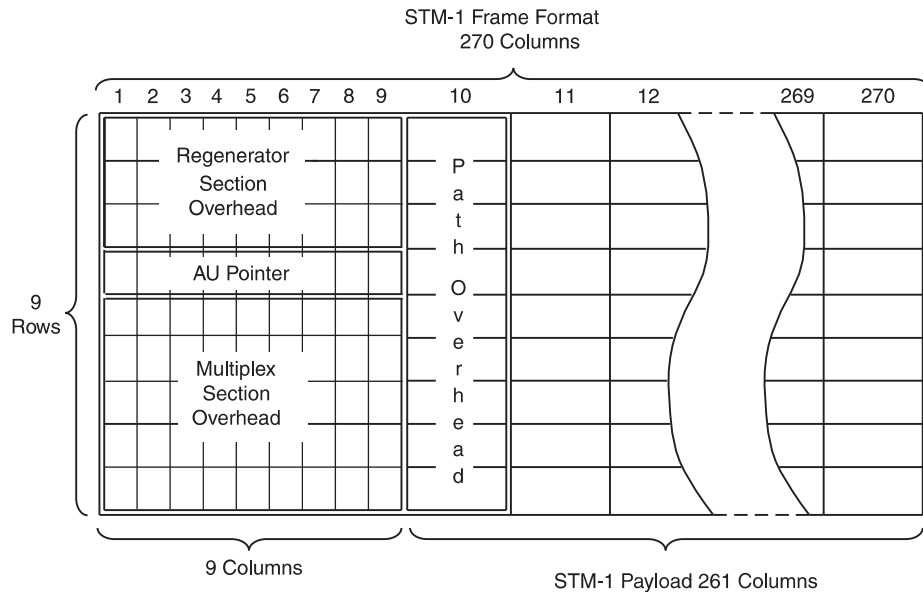
The STM-1 frame (STM = Synchronous Transport Module) is transmitted serially starting from the left with row 1 column 1 through column 270, then row 2 column 1 through 270, continuing on, row-by-row, until all 2430 bytes (9x270) of the STM-1 frame have been transmitted. Because each STM-1 frame consists of 2430 bytes and each byte has 8 bits, the frame contains 19440 bits a frame. There are 8000 STM-1 frames a second, at the STM-1 signal rate of 155.520.000 (19440 x 8000) kbit/s.

Three higher bit rates are also defined:

- 622.080 Mbit/s (STM-4)
- 2488.320 Mbit/s (STM-16)
- 9953.280 Mbit/s (STM-64)
- 39813.120 Mbit/s (STM-256)

The bit rates of the higher order hierarchy levels are integer multiples of the STM-1 transmission rate.

SDH STM-1 frame



Section overhead (SOH)

The first nine bytes of each row with exception of the fourth row are part of the SOH (Section OverHead). The first nine byte of the fourth row contain the AU pointer (AU = Administrative Unit).

STM-1 payload

Columns 10 through 270 (the remainder of the frame), are reserved for payload signals.

SDH path and line sections

This section describes and illustrates the SDH path and line sections.

SDH layers

SDH divides its processing functions into the following three path and line sections:

- Regenerator section
- Multiplex section
- Path

These three path and line sections are associated with

- Equipment that reflects the natural divisions in network spans
- Overhead bytes that carry information used by various network elements

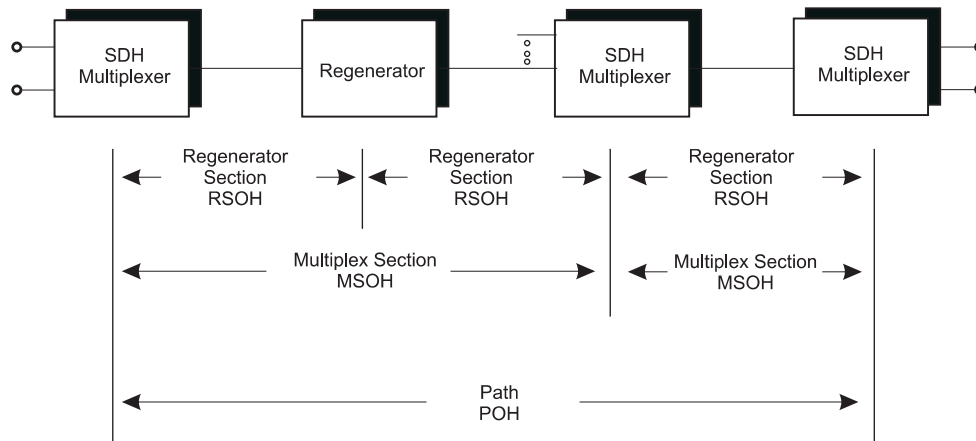
Equipment layers

The following table lists and defines each SDH equipment path and line section.

Path and line sections	Definition
Regenerator section	A regenerator section describes the section between two network elements. The network elements, however, do not necessarily have to be regenerators.
Multiplex section	A multiplex section is the section between two multiplexers. A multiplex section is defined as that part of a path where no multiplexing or demultiplexing of the STM-N frame takes place.
Path	A path is the logical signal connection between two termination points. A path can be composed of a number of multiplex sections which themselves can consist of several regenerator sections.

Path, MS and RS

The following figure illustrates the equipment path, multiplex sections and regenerator sections in a signal path.



W10gsdh02.00e

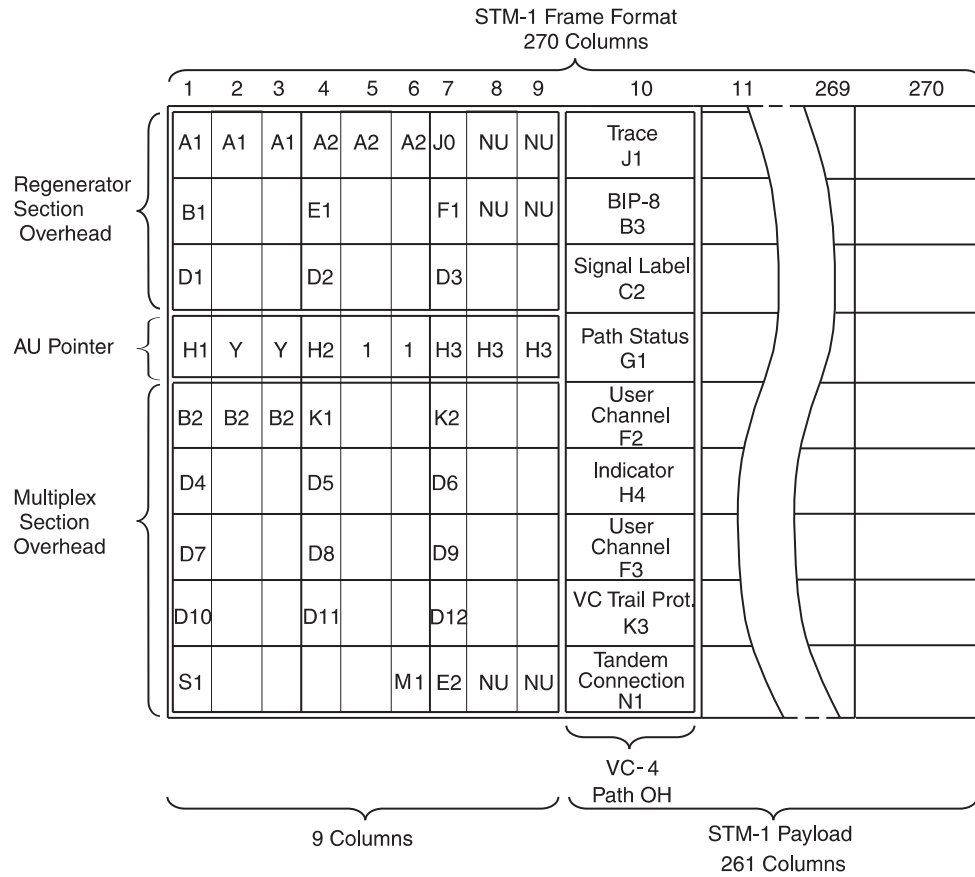
Overhead bytes

The following table lists and defines the overhead associated with each SDH path and line section.

Overhead byte section	Definition
Regenerator section	Contains information that is used by all SDH equipment including repeaters.
Multiplex section	Used by all SDH equipment except repeaters.
Path	The POH contains all the additional signals of the respective hierarchy level so that a VC can be transmitted and switched through independently of its contents.

SDH frame

The following figure illustrates the SDH frame sections and its set of overhead bytes.



W10gsdh03.00e

SDH frame structure

This section provides detailed information on the locations and functions of various overhead bytes for each of the following SDH path and line sections:

- Regenerator Section
- Multiplex Section
- Path

Section overhead

The following table identifies the location and function of each regenerator section overhead byte.

Bytes	Function
A1, A2	Frame alignment A1 = 1111 0110 ; A2 = 0010 1000 ; These fixed-value bytes are used for synchronization.
B1	BIP-8 parity test Regenerator section error monitoring; BIP-8 : Computed over all bits of the previous frame after scrambling; B1 is placed into the SOH before scrambling; BIP-X: (Bit Interleaved Parity X bits) Even parity, X-bit code; first bit of code = even parity over first bit of all X-bit sequences;
B2	Multiplex section error monitoring; BIP-24 : B2 is computed over all bits of the previous STM-1 frame except for row 1 to 3 of the SOH (RSOH); B2 is computed after and placed before scrambling;
Z0	Spare bytes
D1 - D3 (= DCC _R) D4 - D12 (= DCC _M)	Data Communication Channel (network management information exchange)
E1	Orderwire channel
E2	Orderwire channel
F1	User channel
K1, K2	Automatic protection switch
K2	MS-AIS/RDI indicator
S1	Synchronization Status Message
M1	REI (Remote Error Indication) byte
NU	National Usage

Path overhead

The Path Overhead (POH) is generated for all plesiochronous tributary signals in accordance with ITU-T Rec. G.709. The POH provides for integrity of communication between the point of assembly of a Virtual Container VC and its point of disassembly. The following table shows the POH bytes and their functions.

Byte	Location and Function
J1	Path Trace Identifier byte
B3	Path Bit Interleaved Parity (BIP-8) Provides each path performance monitoring. This byte is calculated over all bits of the previous payload before scrambling.
C2	Signal Label All "0" means unequipped; other and "00000001" means equipped
G1	Path Status Conveys the STM-1 path terminating status, performance, and remote defect indication (RDI) signal conditions back to an originating path terminating equipment.
F2, F3	User Data Channel Reserved for user communication.
H4	Multiframe Indicator Provides a general multiframe indicator for VC-structured payloads.
K3	VC Trail protection.
N1	Tandem connection OH

AU pointer

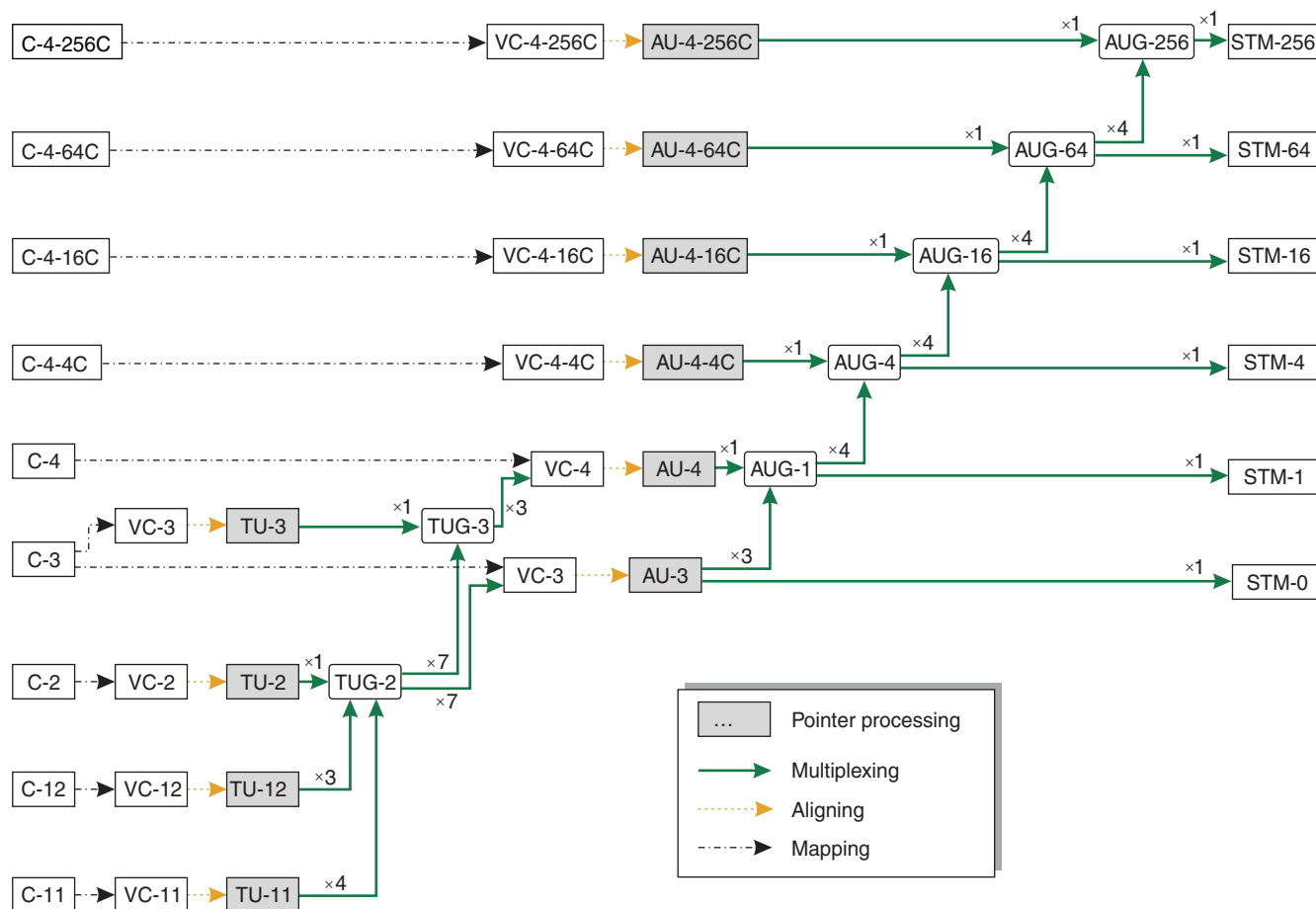
The AU pointer together with the last 261 columns of the STM-1 frame forms an AUG (Administrative Unit Group). An AUG may contain one AU-4 or three byte-multiplexed AU-3s (an AU-3 is exactly one third of the size of an AU-4). AU-3s are also compatible with the SONET standard (Synchronous Optical NETWORK) which is the predecessor of SDH (and still the prevailing technology within the USA). Three byte-multiplexed STS frames (SONET frame), each containing one AU-3 can be mapped into one STM-1.

SDH digital multiplexing

Digital multiplexing is SDH’s method of byte mapping tributary signals to a higher signal rate, which permits economical extraction of a single tributary signal without the need to demultiplex the entire STM-1 payload. In addition, SDH provides overhead channels for use by OAM&P groups.

SDH digital multiplexing

The following figure illustrates the SDH technique of mapping tributary signals into the STM frames.



Transporting SDH payloads

Tributary signals are mapped into a digital signal called a virtual container (VC). The VC is a structure designed for the transport and switching of STM payloads. There are various sizes of VCs: VC-11, VC-12, VC-2, VC-3, VC-4, VC-4-4C, VC-4-16C, VC-4-64C and VC-4-256C.

Table

The following table shows the mapping possibilities of some digital signals into SDH payloads.

Input tributary	Voice Channels	Rate	Mapped Into
1.5 Mbit/s	24	1.544 Mbit/s	VC-11
2 Mbit/s	32	2.048 Mbit/s	VC-12
6 Mbit/s	96	6.312 Mbit/s	VC-2
34 Mbit/s	672	34.368 Mbit/s	VC-3
45 Mbit/s	672	44.736 Mbit/s	VC-3
140 Mbit/s	2016	139.264 Mbit/s	VC-4

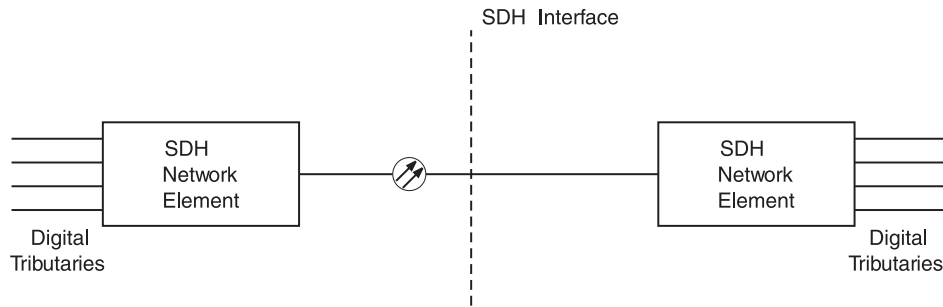
SDH interface

This section describes the SDH interface.

Description

The SDH interface provides the optical mid-span meet between SDH network elements. An SDH network element is the hardware and software that affects the termination or repeating of an SDH standard signal.

SDH interface



Standard optical interconnect at SDH interface
Family of standard rates at $N \times 155.52$ Mbit/s
[Synchronous Transport Module (STM-1)]
Overhead channels defined for interoffice operations
and maintenance functions

W10gsdh06.00e

SDH multiplexing process

SDH provides for multiplexing of 2-Mbit/s (C-12) and 34-Mbit/s (C-3) signals into an STM-1 frame.

Furthermore, multiplexing paths also exist for the SONET specific 1.5-Mbit/s, 6-Mbit/s and 45-Mbit/s signals.

Process

The following describes the process for multiplexing a 2-Mbit/s signal. The “[SDH digital multiplexing](#)” (p. A-11) illustrates the multiplexing process.

-
- 1 Input 2-Mbit/s tributary is mapped
 - Each VC-12 carries a single 2-Mbit/s payload.
 - The VC-12 is aligned into a Tributary Unit TU-2 using a TU pointer.
 - Three TU-2 are then multiplexed into a Tributary Unit Group TUG-2.
 - Seven TUG-2 are multiplexed into a TUG-3.
 - Three TUG-3 are multiplexed into a VC-4.
 - The VC-4 is aligned into an Administrative Unit AU-4 using a AU pointer.
 - The AU-4 is mapped into an AUG which is then mapped into an STM-1 frame.
 - 2 After VCs are multiplexed into the STM-1 payload, the section overhead is added.
 - 3 Scrambled STM-1 signal is transported to the optical stage.
-

SDH demultiplexing process

Demultiplexing is the inverse of multiplexing. This topic describes how to demultiplex a signal.

Process

The following describes the process for demultiplexing an STM-1 signal to a 2 Mbit/s signal. The “[SDH digital multiplexing](#)” (p. A-11) illustrates the demultiplexing process.

- 1 The unscrambled STM-1 signal from the optical conversion stages is processed to extract the path overhead and accurately locate the payload.
- 2 The STM-1 path overhead is processed to locate the VCs. The individual VCs are then processed to extract VC overhead and, via the VC pointer, accurately locate the 2-Mbit/s signal.
- 3 The 2-Mbit/s signal is desynchronized, providing a standard 2-Mbit/s signal to the asynchronous network.

Key points

SDH STM pointers are used to locate the payload relative to the transport overhead.

Remember the following key points about signal demultiplexing:

- The SDH frame is a fixed time (125 μ s) and no bit-stuffing is used.
- The synchronous payload can float within the frame. This is to permit compensation for small variations in frequency between the clocks of the two systems that may occur if the systems are independently timed (plesiochronous timing).

SDH transport rates

Higher rate STM-N frames are built through byte-multiplexing of N STM-1 signals.

Creating higher rate signals

A STM-N signal can only be multiplexed out of N STM-1 frames with their first A1 byte at the same position (i.e. the first A1 byte arriving at the same time).

STM-N frames are built through byte-multiplexing of N STM-1 signals. Not all bytes of the multiplexed SOH (size = N x SOH of STM-1) are relevant in an STM-4/16.

For example there is only one B1 byte in an STM-4/16 frame which is computed the same way as for an STM-1. Generally the SOH of the first STM-1 inside the STM-N is used for SOH bytes that are needed only once. The valid bytes are given in ITU-T G.707.

SDH transport rates

Designation	Line rate (Mbit/s)	Capacity
STM-1	155.520	1 AU-4 or 3 AU-3
STM-4	622.080	4 AU-4 or 12 AU-3
STM-16	2488.320	16 AU-4 or 48 AU-3
STM-64	9953.280	64 AU-4 or 192 AU-3
STM-256	39813.120	256 AU-4 or 768 AU-3

Glossary

Numerics

12 digit Numerical Code (12NC)

Used to as the unique identifier of an item or product. The first ten digits identify an item. The eleventh digit specifies the particular variant of the item. The twelfth digit indicates the revision issue. Items for which the first eleven digits are the same are functionally equal and may be exchanged.

5ESS

Number 5 Electronic Switching System

5TAD

Five Tributary Add-Drop subrack

9TAD

Nine Tributary Add-Drop subrack

A **AAU**

Alarm Adapter Unit. Radio Relay circuit pack that is used for the collection of external alarms and remote control of external equipment.

AC

Alternating Current

ACU

Alarm Collection Unit. Radio Relay circuit pack that collects of equipment alarms, analog measurements from internal monitoring points and calculation data.

ADM

Add-Drop Multiplexer

Administrative Unit (AU)

Carrier for TUs

Administrative-Unit Pointer (AU PTR)

Indicates the phase alignment of the VC-n with respect to the STM-N frame. The pointer position is fixed with respect to the STM-N frame.

Administrator

See System Administrator.

Agent

Performs operations on managed objects and issues events on behalf of these managed objects. All SDH managed objects will support at least one agent. Control of distant agents is possible via local “Managers”.

Alarm

The notification (audible or visual) of a significant event. See also Event.

Alarm Indication Signal (AIS)

Code transmitted downstream in a digital Network that shows that an upstream failure has been detected and also alarmed if the upstream alarm has not been suppressed. Also called to as All OneS.

Alarm Severity

An attribute that defines the priority of the alarm message. The way in which alarms are processed depends on the severity.

Alcatel-Lucent 1663 ADMu

A network multiplexer that is designed to flexibly multiplex plesiochronous and/or STM-1 tributary port signals into STM-4 or STM-16 line port signals.

Aligning

Using a pointer to indicate the head of a virtual container, e.g. to create an Administrative Unit (AU) or a Tributary Unit (TU).

ALS

Automatic Laser Shutdown

Alternate Mark Inversion (AMI)

A line code that employs a ternary signal to convert binary digits. In this line code successive binary ones are represented by signal elements that are normally of alternately positive and negative polarity but are equal in amplitude, binary zeros are represented by signal elements that have zero amplitude.

American Standard Code for Information Interchange (ASCII)

A standard 8-bit code that is used to exchange information among data processing systems and associated equipment.

Anomaly

A difference between the actual and the desired operation of a function.

ANSI

American National Standards Institute

APS

Automatic Protection Switching

AS

Alarm Suppression assembly

Assembly

Gathering together of payload data with overhead and pointer information (an indication of the direction of the signal).

Association

A logical connection between manager and agent through which management information can be exchanged.

Asynchronous

See Non-synchronous.

ATC

Auxiliary Transmission Channel

ATM

Asynchronous Transfer Mode

ATPC

Automatic Transmit-Power Control

AU

Administrative Unit

AU4AD

Administrative Unit 4 Assembler/Disassembler

AUG

Administrative Unit Group

AUTO

Automatic

Automatic Transmit Power Control (ATPC)

Reduces the power output from the transmitter during normal propagation conditions and increases the power output to maximum during fading periods to try to maintain the nominal level of receiver input.

B B3ZS

Bipolar 3-Zero Substitution

B8ZS

Bipolar 8-Zero Substitution

BBTR

Backplane Bus TRansceiver

BC

Board Controller

BCC

Board Controller Complex

BIN

BINary

BIP

Bit-Interleaved Parity

BISDN

Broadband Integrated Services Digital Network

Bit Error Ratio (BER)

The ratio of bits received in error to bits sent.

Bit Interleaved Parity (BIP)

A method of error monitoring that uses a specified number of bits (BIP-8)

BLD OUT LG

Build-Out Lightguide

Board Controller Local Area Network (BC-LAN)

The internal local area network that provides communications between the Line Controller circuit pack and board controllers on the circuit packs that are associated with a high-speed line.

BOL

Beginning Of Life

Branching

Interconnection of independent line systems.

Broadband Communication

Voice, data, and/or video communication at greater than 2 Mbit/s rates.

Broadband Service Transport

STM-1 concatenation transport over the SLM for ATM applications.

BUSTR

BUS Transmitter and Receiver

- C**
- CAS**
Channel Associated Signaling
- CAT**
CATastrophic
- CC**
Cross-Connection, Cross-Connect
- CCIR**
See ITU-R.
- CCITT**
See ITU-T.
- CCS**
Common Channel Signaling
- CEPT**
Conférence Européenne des Administrations des Postes et des Télécommunications
- Channel**
A sub-unit of transmission capacity within a defined higher level of transmission capacity, e.g. a CEPT-4 (140 Mbit/s) within a 565 Mbit fiber system.
- CIR**
Committed Information Rate
- Circuit**
A combination of two transmission channels that permits bidirectional transmission of signals between two points to support a single communication.
- CIT**
Craft Interface Terminal
- Clear Channel (Cl. Ch.)**
A provisionable mode for the 34 and 140 Mbit/s tributary outputs that causes parity violations not to be monitored or corrected before the 34 and 140 Mbit/s outputs are encoded.
- Client**
Computer in a computer network that generally offers a user interface to a server. See also Server.
- CMI**
Coded Mark Inversion
- CO**
Central Office

Co-resident

A hardware configuration where the OMS and ITM-NM applications can be independently active at the same time on the same hardware and software platform without interfering with each other's functioning.

Common Object Request Broker Architecture (CORBA)

CORBA allows applications to communicate with one another no matter where they are located or who has designed them.

Concatenation

A procedure whereby a multiplicity of Virtual Containers are associated with each other with the result that their combined capacity can be used as a single container across which bit-sequence integrity is maintained.

CONN PCB

Connector Printed Circuit Board

Container (C)

Carries plesiochronous signal, the “payload”.

CP

Circuit Pack

Craft Interface Terminal (CIT)

Local manager for SDH network elements.

CRC

Cyclic Redundancy Check

Cross-Connect Map

Connection map for an SDH network element; contains information about how signals are connected between high speed time slots and low speed tributaries. See also Squelch Map.

Cross-Polarization Interference Cancellation

This feature permits both orthogonal polarizations of one Radio Frequency carrier to be used simultaneously, which provides greater spectral efficiency.

CTP

Connection Termination Point

CV

Code Violation

D DACS

Digital Access & Cross-connect System

DACScan-T

See Integrated Transport Management Network Manager.

Data Communication Channel (DCC)

The embedded overhead communication channel in the SDH line. The DCC is used for end-to-end communication and maintenance. It carries alarm, control, and status information between network elements in an SDH network.

Data Communication Equipment (DCE)

Provides the signal conversion and coding between the data terminating equipment and the line. The DCE may be separate equipment or a part of the data terminating equipment.

Data Terminating Equipment (DTE)

Originates data for transmission and accepts transmitted data.

Database Administrator

A user who administers the database of the OMS application. See also User Privilege.

DC

Direct Current

DCF

Data Communications Function

DCN

Data Communications Network

DCS

Digital Cross-connect System

DDF

Digital Distribution Frame

Dedicated Protection Ring (DP-Ring)

A protection method used in some network elements.

Default Value Provisioning

The original values are preprogrammed at the factory. These values can be overridden using local or remote provisioning.

Defect

A limited interruption of the ability of an item to perform a required function. The defect may or may not lead to maintenance action this depends on the results of additional analysis.

Demultiplexing

A process applied to a multiplexed signal to recover signals combined within it and restore the distinct individual channels of these signals.

Digital Link

A transmission span such as a point-to-point 2 Mbit/s, 34 Mbit/s, 140 Mbit/s, VC12, VC3 or VC4 link between controlled network elements. The channels within a digital link are insignificant.

Digital Section

A transmission span such as an STM-N or 565 Mbit/s signal. A digital section may contain multiple digital channels.

DIL

Dual In Line

Directory-Service Network Element (DSNE)

A designated network element that is responsible for administering a database that maps network element names (node names) to addresses (node Id). There can be one DSNE per (sub)network.

Disassembly

Splitting up of a signal into its constituents as payload data and overhead (an indication of the direction of a signal).

Downstream

At or towards the destination of the considered transmission stream, i.e. in the direction of transmission.

DPLL

Digital Phase-Locked Loop

DPS

Data communication Packet Switch

DR

Digital Radio

DRI

Dual-Ring Interworking

DS-n

Digital Signal, Level n

DTMF

Dual-Tone Multi-Frequency

Dual Homing

An STM-1/STM-4 ring with AM-1 Plus equipment can be dual homed on a ring consisting of Alcatel-Lucent 1663 ADMu, Metropolis® ADM (Compact shelf) or *WaveStar*® ADM 16/1. Also STM-16 rings can be dual homed with the Alcatel-Lucent 1663 ADMu).

Dual-Node Interworking

Dual Node Interworking (DNI) is a configuration of two ring networks that share two common nodes. DNI allows a circuit with one termination in one ring and one termination in another ring to survive a loss-of-signal failure of the shared node that is currently carrying service for the circuit.

DUS

Do not Use for Synchronization

DWDM

Dense-Wavelength Division Multiplexing

E

EC-n

Electrical Carrier, Level n

ECC

Embedded Control Channel

EDFE

Ethernet Dropped Frames Errors

EH&S

Environmental Health and Safety

EINB

Ethernet Incoming Number of Mbytes

Electronic Industries Association (EIA)

A trade association of the electronic industry that establishes electrical and functional standards.

Element Management System (EMS)

See Integrated Transport Management Subnetwork Controller.

EMC

ElectroMagnetic Compatibility

EMI

ElectroMagnetic Interference

EOL

End Of Life

EONB

Ethernet Outgoing Number of Mbytes

EOW

Engineering Order Wire

Equivalent Bit Error Ratio (EBER)

The calculated average bit error rate over a data stream.

Errored Second (ES)

A performance monitoring parameter.

ES

End System

ESD

ElectroStatic Discharge

ESPG

Elastic Store & Pointer Generator

ETSI

European Telecommunication Standardisation Institute

Event

A significant change. Events in controlled network elements include signal failures, equipment failures, signals exceeding thresholds, and protection switch activity. When an event occurs in a controlled network element, the controlled network element will generate an alarm or status message and send it to the OMS.

Externally Timed

An operating condition of a clock in which it is locked to an external reference and uses time constants that are altered to quickly bring the local oscillator's frequency into approximate agreement with the synchronization reference frequency.

Extra Traffic

Unprotected traffic that is carried over the protection channels when that capacity is not used for the protection of service traffic.

F FAS

Frame Alignment Signal

FAW

Frame Alignment Word

FC

Full contact Connector

FCC

Federal Communications Commission

FDDI

Fiber Distributed Data Interface

FEP

Front End Processor

Free Running

An operating condition of a network element in which its local oscillator is not locked to any synchronization reference and uses no storage techniques to sustain its accuracy.

G GARP

Generic Attribute Registration Protocol

Gateway Network Element (GNE)

Passes information between other network elements and management systems via a Data Communications Network.

Gbit/s

Gigabits per second

GFP

Generic Framing Procedure

Global Wait to Restore Time

The time to wait before switching back to the timing reference occurs after a timing link failure has cleared. This time applies for all timing sources in a system hence the name global. This can be between 0 and 60 minutes, in increments of one minute.

GNE

Gateway network element - A network element that passes information between other network elements and operations systems via a data communications network.

GUI

Graphical User Interface

GVRP

GARP VLAN Registration Protocol (refer to [“GARP” \(p. GL-11\)](#))

H HE

Host Exchange

High Density Bipolar 3 code (HDB3)

Line code for e.g. 2 Mbit/s transmission systems.

High level Data Link Control (HDLC)

Protocol in the data-link layer of the OSI reference model.

Higher order Path Adaptation (HPA)

Function that adapts a lower order Virtual Container to a higher order Virtual Container by processing the Tributary Unit pointer which indicates the phase of the lower order Virtual Container Path Overhead relative to the higher order Virtual-Container Path Overhead, and assembling/disassembling the complete higher order Virtual Container.

Higher order Path Connection (HPC)

Function that provides for flexible assignment of higher order Virtual Containers within an STM-N signal.

Higher order Path Termination (HPT)

Function that terminates a higher order path by generating and adding the appropriate Virtual-Container Path Overhead to the relevant container at the path source and removing the Virtual-Container Path Overhead and reading it at the path sink.

HMI

Human Machine Interface

HO

High Order

Holdover

An operating condition of a clock in which its local oscillator is not locked to an external reference but uses storage techniques to maintain its accuracy with respect to the last known frequency comparison with a synchronized reference.

Host Name

Name of the server on which the OMS is running.

HS

High Speed

I I/O

Input/Output

ICB

Interconnection Box

ICP

InterConnection Panel

IEC

International Electrotechnical Committee

IEEE

Institute of Electrical and Electronic Engineers

IF

Intermediate Frequency

IFT

InterFace Terminal

Integrated Transport Management Craft Interface Terminal (ITM-CIT)

Local manager for SDH network elements in a subnetwork. Also called the to as Craft Interface Terminal.

Intelligent Synchronous Multiplexer (ISM)

A network multiplexer that is designed to flexibly multiplex plesiochronous and STM-1 tributary port signals into STM-1 or STM-4 line port signals.

Intermediate System (IS)

A system that routes/relays management information. An SDH network element may be a combined Intermediate and end system.

IPS

Inter Processor Status

IS

In-Service

IS-IS Routing

The network elements in a management network, route packets (data) between each other using an IS-IS level protocol. The size of a network that is running IS-IS Level 1 is limited, and therefore certain mechanisms are employed to facilitate the management of larger networks. For STATIC ROUTING, it is possible to disable the protocol over the LAN connections and thereby effectively cause the management network to be partitioned into separate IS-IS Level 1 areas. In order for the OMS to communicate with a specific network element in one of these areas, the OMS must identify the Gateway network element through which this specific network element is connected to the LAN. All packets to this specific network element are routed directly to the Gateway network element by the OMS, before being re-routed (if necessary) within the Level 1 area. For DYNAMIC ROUTING an IS-IS Level 2 routing protocol is used that allows a number of Level 1 areas to interwork. The network elements that connect an IS-IS area to another area are set to run the IS-IS Level 2 protocol within the network element and on the connection to other network elements. Packets can now be routed between IS-IS areas and the OMS does not have to identify the Gateway network elements.

ISDN

Integrated Services Digital Network

ISO

International Standards Organisation

ITU

International Telecommunications Union

ITU-R

International Telecommunications Union - Radio standardization sector. Formerly known as CCIR: Comité Consultatif International Radio; International Radio Consultative Committee.

ITU-T

International Telecommunications Union - Telecommunication standardization sector. Formerly known as CCITT: Comité Consultatif International Télégraphique & Téléphonique; International Telegraph and Telephone Consultative Committee.

J Jitter

Short term variations of amplitude and frequency components of a digital signal from their ideal position in time.

L LAN

Local Area Network

LBA

Lightwave Booster Amplifier.

LBO

Line Build Out - An optical attenuator that guarantees the proper signal level and shape at the receiver input.

LCAS

Link Capacity Adjustment Scheme

LCN

Local Communications Network

LDI

Linear Drop/Insert (Add-Drop)

LED

Light Emitting Diode

LEN

Local Exchange Node

LF

Low Frequency

LH

Long Haul

License key

An encrypted code that is required to enable the use of specific modules in the OMS. Valid license keys can be obtained from your provider.

Line

Transmission line; refers to a transmission medium, together with the associated high speed equipment, that are required transport information between two consecutive network elements, one of which originates the line signal and the other terminates the line signal.

Line Build Out (LBO)

An optical attenuator that guarantees the proper signal level and shape at the receiver input.

Line Overhead Controller (LOC)

SLM circuit pack that accesses the overhead bytes from the high speed line.

LNC

LiNe Controller (SLM)

LO

Low Order

LOF

Loss Of Frame

LOM

Loss Of Multiframe

Loop Timing

A timing mode in which the terminal derives its transmit timing from the received line signal.

LOP

Loss Of Pointer

LOS

Loss Of Signal

Lower order Path Adaptation (LPA)

Function that adapts a PDH signal to a synchronous network by mapping the signal into or de-mapping the signal out of a synchronous container.

Lower order Path Connection (LPC)

Function that provides for flexible assignment of lower order VCs in a higher order VC.

Lower order Path Termination (LPT)

Function that terminates a lower order path by generating and adding the appropriate VC POH to the relevant container at the path source and removing the VC POH and reading it at the path sink.

LPU

Line Port Unit

LPU155

Line Port Unit 155 Mbit/s

LRX

Line Receiver

LS

Low Speed

LTA

Line Terminal Application

LTX

Line Transmitter

LTX/EML

Line Transmitter with Electro-absorption Modulated Laser

M MAF

Management Application Function

Management Connection

Identifies the type of routing used (STATIC or DYNAMIC). If STATIC is selected, Management Connection allows the gateway network element to be identified. See also IS-IS Routing.

Management Information Base (MIB)

The database in the network element. Contains the configuration data of the network element. A copy of each MIB is available in the OMS and is called the MIB image. Under normal circumstances, the MIB and MIB image of one Network Element are synchronized.

Manager

Is capable of issuing network management operations and receiving events

Manager

Capable of issuing network management operations and receiving events. The Manager communicates with the Agent in the controlled network element.

Manufacturer Executable Code (MEC)

Network element system software in binary format that is downloaded to one of the stores can be executed by the system controller of the network element.

Mapping

Gathering together of payload data with overhead, i.e. packing the PDH signal into a Virtual Container.

MDI

Miscellaneous Discrete Input

MDO

Miscellaneous Discrete Output

Mediation Device (MD)

Allows for exchange of management information between Operations System and network elements.

MEF

Maintenance Entity Function (in NE)

MEM

System MEMory unit

Message Communications Function (MCF)

Function that provides facilities for the transport and routing of Telecommunications Management Network messages to and from the Network Manager.

MF

Mediation Function

MFS

Multi Frame Synchronization signal

MIB

The Management Information Base is the database in the node. The MIB contains the configuration data of the node. A copy of each MIB is available in the EMS and is called the MIB image. Under normal circumstances, the MIB and MIB image of one node are synchronized.

MIB image

See Management Information Base.

Midspan Meet

The capability to interface between two lightwave network elements of different vendors. This applies to high speed optical interfaces.

MLAN

MultiLAN

MMI

Man-Machine Interface Also called Human Machine Interface (HMI)

MO

Managed Object

Motif

X-Windows System supplied by Open Software Foundation.

MS

Multiplexer Section

MSOH

Multiplex Section Overhead. Part of the SOH (Section Overhead). Is accessible only at line terminals and multiplexers.

MSP

Multiplex Section Protection. Provides capability of switching a signal from a working to a protection section.

MTBF

Mean Time Between Failures

MTBMA

Mean Time Between Maintenance Activities

MTIE

Maximum Time Interval Error

MTPI

Multiplexer Timing Physical Interface

MTRR

Mean Time To Repair

Multiplexer Section OverHead (MSOH)

Part of the Section Overhead. Is accessible only at line terminals and multiplexers.

Multiplexer Section Protection (MSP)

Provides capability of switching a signal from a working to a protection section.

Multiplexer Section Shared Protection Ring (MS-SPRING)

A protection method used in multiplex line systems.

Multiplexer Section Termination (MST)

Function that generates the Multiplexer Section Overhead in the transmit direction and terminates the Multiplexer Section Overhead in the receive direction.

Multiplexer Timing Source (MTS)

Function that provides the timing reference to the relevant component parts of the multiplex equipment and represents the SDH network element clock.

Multiplexing

A procedure by which multiple lower order path layer signals are adapted into a higher order path, or by which the multiple higher order path layer signals are adapted into a multiplex section.

N NE

Network element. The NE is comprised of telecommunication equipment (or groups/parts of telecommunication equipment) and support equipment that performs network element functions. A Network Element has one or more standard Q-type interfaces.

NEF

Network element function

NEM

Network element manager

Network Element (NE)

A network element is comprised of telecommunication equipment (or groups/parts of telecommunication equipment) and support equipment that performs network element functions. A Network Element has one or more standard Q-type interfaces. A network element can be directly managed by a management system. See also Node.

Network Service Access Point (NSAP)

An end system address of the System Controller according to ISO 8348 AD2. The format is ISO_DCC_LUCENT, which has the following structure:



NMC

Network Maintenance Center

NMS

Network Management System

NNE

Non-SDH network element

NNI

Network Node Interface

Node

A node or network element is defined as all equipment that is controlled by one system controller.

Node

Defined as all equipment that is controlled by one system controller. A node can not always be directly managed by a management system. See also network element.

NOMC

Network Operation Maintenance Channel

Non-revertive switching

In non-revertive switching, there is an active and standby high-speed line, circuit pack, etc. When a protection switch occurs, the standby line, circuit pack, etc., is selected causing the old standby line, circuit pack, etc., to be used for the new active line, circuit pack, etc. The original active line, circuit pack, etc., becomes the standby line, circuit pack, etc. This status remains in effect when the fault clears. Therefore, this protection scheme is “non-revertive” in that there is no switch back to the original status in effect before the fault occurred.

Non-synchronous

The essential characteristic of timescales or signals such that their significant instants do not necessarily occur at the same average rate.

NPI

Null Pointer Indication

NRZ

Non-Return to Zero

NSA

Non-Service Affecting

NUT

Non pre-emptible Unprotected Traffic

NVM

Non-Volatile Memory

O OA

Optical Amplifier

OAA case tools

A software package/tool to aid the process of requirements, analysis, design and implementation of object orientated systems.

OAM&P

Operations, Administration, Maintenance and Provisioning

OC-n

Optical Carrier, Level n

ODF

Optical Distribution Frame

ODU

Optical Demultiplexer Unit

OFS

Out of Frame Second

OI

Optical Interface

OMU

Optical Multiplexer Unit

OOF

Out Of Frame

OOS

Out Of Service

Operations System (OS)

The Operations System is the system that provides operations, administration and maintenance functions.

Operator

A user of an application with Operator privileges. See also User Privilege.

Optical Line System (OLS)

A high-capacity lightwave system that is designed to multiplex eight optical signals with different wavelengths into one combined signal through an optical fiber. There is a difference of 1.5 micrometer in wavelength between two multiplexed signals.

OS

Operations System - A central computer-based system that is used to provide operations, administration and maintenance functions.

OSB

Optical Splice Box

OSI

Open Systems Interconnection

OW

(Engineering) Order Wire

P

PABX

Private Automatic Branch eXchange

Paddle Board - Peripheral Control and Timing link (PB-PCT)

A small circuit board used in a 5ESS exchange for protection switching and optical to electrical conversion of the PCT-link.

Path

A logical connection between one termination point at which a standard format for a signal at the given rate is assembled and from which the signal is transmitted, and another termination point at which the received standard frame format for the signal is disassembled.

Path AIS

Path Alarm Indication Signal - A path-level code that is sent downstream in a digital network as an indication that an upstream failure has been detected and alarmed.

Path Overhead (POH)

The Virtual-Container Path Overhead provides integrity of communication between the point of assembly of a Virtual Container and its point of disassembly.

Path Terminating Equipment

Network elements in which the path overhead is terminated.

PC

Personal Computer

PCB

Printed Circuit Board

PCM

Pulse Code Modulation

PCT-link

Peripheral Control and Timing-link

PDH

Plesiochronous Digital Hierarchy

Performance Monitoring (PM)

Measures the quality of service and identifies degrading or marginally operating systems (before an alarm is generated).

Peripheral Control and Timing Facility Interface (PCTFI)

A proprietary physical link interface that supports the transport of 21 * 2 Mbit/s signals.

PI

Physical Interface, Plesiochronous Interface

PIR

Peak Information Rate

PJE

Pointer Justification Event

Platform

Family of equipment and software configurations that are designed to support a particular Application.

Plesiochronous Network

A network that contains multiple subnetworks, each of which is internally synchronous and operates at the same nominal frequency, but the timing of any of the subnetworks may be slightly different at any particular instant.

PLL

Phase Lock Loop

PM

Performance Monitoring - Measures the quality of service and identifies degrading or marginally operating systems (before an alarm is generated).

PMA

Performance Monitoring Application

Pointer

An indicator whose value defines the frame offset of a virtual container with respect to the frame reference of the transport entity on which the Virtual Container is supported.

POTS

Plain Old Telephone Service

PP

Pointer Processing

PPC

Pointer Processor and Cross-connect

Primary Reference Clock (PRC)

The main timing clock reference in SDH equipment.

Protection

Extra capacity (channels, circuit packs) in transmission equipment that is not intended to be used for service, but rather to serve as backup against equipment failures.

Provisioning

Assigning a value to a system parameter.

PSA

Partially Service Affecting

PSDN

Public Switched Data Network

PSF

Power Supply Filter

PSF-SIP

Power Supply Filter; originally designed for an Italian customer.

PSN

Packet-Switched Network

PSTN

Public Switched Telephone Network

PT

Protected Terminal Power-supply filter and Timing circuit pack

PVID

Port VLAN ID

Q

Q-LAN

Thin Ethernet LAN (10BaseT) that connects the manager to gateway network elements so that management information can be exchanged between network elements and management systems.

QAF

Q-Adapter Function (in NE)

QOS

Quality Of Service

Quality Level (QL)

The quality of the timing signal(s) that are provided to clock a network element. The level is provided by the Synchronization Status Marker which can accompany the timing signal. If the System and Output Timing Quality Level mode is “Enabled”, and if the signal selected for the Station-Clock Output has a quality level below the Acceptance Quality Level, the network element “squelches” the Station-Clock Output Signal, which means that no signal is forwarded at all. Possible levels are: - PRC (Primary Reference Clock) - SSU_T (Synchronization Supply Unit - Transit) - SSU_L (Synchronization Supply Unit - Local) - SEC (SDH Equipment Clock) - DUS (Do not Use for Synchronization).

R

RA

Regenerator Application

Radio Protection Switching system (RPS)

The main function of the RPS is to handle the automatic and manual switching from a main channel to a common protection channel in an N+1 system.

Radio Relay (RR)

A point-to-point Digital Radio system to transport STM-1 signals via microwaves.

RCU

Rigid Connect Unit

RCVR Data Distribution Unit (RCVR)

Radio Relay circuit pack that distributes of the protection channel and the low-priority traffic in the receiver side.

RDDU

RCVR Data Distribution Unit

RDI

Remote Defect Indicator. Previously known as Far End Receive Failure (FERF).
An indication returned to a transmitting network element that the receiving network element has detected an incoming section failure.

RDI

Ring Drop/Insert (Add-Drop)

RDSV

Running Digital Sum Violations

Receive-direction

The direction towards the cross-connect.

REGEN

Regenerator

Regenerator Loop

Loop in a network element between the Station Clock Output(s) and one or both Station Clock Inputs, which can be used to dejitterize the selected timing reference in network applications.

Regenerator Overhead Controller (ROC)

SLM circuit pack that provides user access to the SDH overhead channels at repeater sites.

Regenerator Section Termination (RST)

Function that generates the Regenerator Section Overhead (RSOH) in the transmit direction and terminates the RSOH in the receive direction.

REI

Remote Error Indication. Previously known as Far End Block Error (FEBE).
An indication returned to the transmitting node that an errored block has been detected at the receiving node. A block is a specified grouping of bits.

Relay Unit (RU)

Radio Relay circuit pack whose main function is to perform protection switching when the Alignment Switch in the demodulator unit is unable to perform protection switching.

Restore Timer

Counts down the time (in minutes) during which the switch waits to let the worker line recover before switching back to it. This option can be set to prevent the protection switch continually switching if a line has a continual transient fault. This field is grayed out if the mode is non-revertive.

Revertive Switching

In revertive switching, there is a working and protection high speed line, circuit pack, etc. When a protection switch occurs, the protection line, circuit pack, etc. is selected. When the fault clears, service reverts back to the original working line.

RF

Radio Frequency

RFI

Remote-Failure Indicator

RGU

ReGenerator Unit

Route

A series of contiguous digital sections.

RPS

Ring Protection Switching

RSM

Remote Switching Module

RSOH

Regenerator-Section OverHead; part of the SOH.

RZ

Return to Zero

S

SA

Service Affecting Synchronous Adapter

SAI

Station Alarm Interface

SC

Square coupled Connector

SD

Signal Degrade

SDH

Synchronous Digital Hierarchy. Definition of the degree of control of the various clocks in a digital network over other clocks.

SDH-TE

SDH - Terminal Equipment

SEC

SDH Equipment Clock

Section

A transport entity in the transmission media layer that provides integrity of information transfer across a section layer network connection by means of a termination function at the section layer.

Section Adaptation (SA)

Function that processes the AU-pointer to indicate the phase of the VC-3/4 POH relative to the STM-N SOH and assembles/disassembles the complete STM-N frame.

Section Overhead (SOH)

Capacity added to either an AU-4 or to an assembly of AU-3s to create an STM-1. Always contains STM-1 framing and can contain maintenance and operational functions. SOH can be subdivided into MSOH (multiplex section overhead) and RSOH (regenerator section overhead).

SEF

Support Entity Function (in NE)

Self-healing

A network's ability to automatically recover from the failure of one or more of its components.

Server

Computer in a computer network that performs dedicated main tasks that require generally sufficient performance. See also Client.

Service

The operational mode of a physical entity that indicates that the entity is providing service. This designation will change with each switch action.

Severely Errored Frame Seconds (SEFS)

A performance monitoring parameter.

Severely Errored Second (SES)

A second that has a binary error ratio. SES is used as a performance monitoring parameter.

Severity

See Alarm Severity

SH

Short Haul

SI

Synchronous Interface

SIB

Subrack Interface Box

SLC

Subscriber Loop Carrier

SLM

Signal Label Mismatch

Smart Communication Channel (SCC)

An HDLC messaging channel between the SDH-TE and the 5ESS host node. Similar to the DCC messaging channels that are located in the STM-N section overhead.

SML

Service Management Level

SMN

SDH Management Network

SMS

SDH Management Subnetwork

SNC/I

SubNetwork Connection (protection) / Inherent monitoring

SNC/NI

SubNetwork Connection / Non Intrusive monitoring

SNR

Signal to Noise Ratio

Soft Windows

PC emulator package for HP platforms.

SOH

Section Overhead. Capacity added to either an AU-4 or to an assembly of AU-3s to create an STM-1. Always contains STM-1 framing and can contain maintenance and operational functions. SOH can be subdivided in MSOH (Multiplex Section OverHead) and RSOH (Regenerator Section OverHead).

SONET

Synchronous Optical Network

Space Diversity (SD)

Reception of the Radio signal via mirror effects on Earth.

SPB2M

Subrack Protection for 2 Mbit/s Board

Specification and Design Language (SDL)

This is a standard formal language for specifying (essentially) finite state machines.

SPI

SDH Physical Interface Synchronous-Plesiochronous Interface

Squelch Map

Traffic map for SLM Add-Drop Multiplexer network elements that contains information for each cross-connection in the ring and indicates the source and destination network elements for the low-speed circuit to which the cross-connection belongs. This information is used to prevent traffic misconnection in rings that have isolated network elements or segments. See also Cross-Connect Map.

SSM

Synchronization Status Marker

Standby

The operational mode of a physical entity that indicates that the entity is not providing service, but standby. This designation changes with each switch action.

Standby

The operational mode of a physical entity that indicates that the entity is not providing service but is on standby. This designation will change with each switch action.

Station Clock Input (SCI)

An external clock may be connected to a Station Clock Input.

STM

Synchronous Transport Module Building block of SDH.

STP

Spanning Tree Protocol

STVRP

Spanning Tree with VPN Registration Protocol

System Administrator

A user an application with System Administrator privileges. See also User Privilege.

Index

Numerics

1000BASE-SX, [2-7](#), [2-7](#)

100BaseT, [5-7](#)

A Access node, [2-59](#), [2-60](#)

Add/Drop, [A-1](#)

Add/drop capacity, [4-13](#)

administration

CIT, [5-8](#)

Alarm

programmable station alarm

raise/clear delay, [5-9](#)

rack top alarm lamps, [5-9](#)

severity settings, [5-18](#)

station alarm interface, [5-9](#)

Alarms and status reports, [5-16](#)

Application

10 Gbit/s, [2-15](#), [4-12](#)

2.5 Gbit/s, [2-15](#), [4-11](#)

Architecture, [4-2](#)

system, [4-5](#)

Assembly kit

ordering, [7-2](#)

AU Pointer, [A-10](#)

Authorization levels, [5-12](#)

Auto-negotiation, [3-7](#)

B Bandwidth allocation (GbE), [2-41](#)

Bandwidth management, [10-45](#)

Blocked port, [2-47](#)

C cable storage

floor plan layout figure, [6-27](#)

Cables, [4-29](#)

CIC

Customer Information Center,
[7-2](#)

Circuit pack

ordering, [7-2](#)

Circuit pack faceplate LEDs, [5-5](#)

Circuit packs, [4-16](#)

circuit packs, [6-11](#)

Circuit packs, [6-13](#)

fit rates, [9-16](#)

CIT

PC requirements, [5-7](#)

Classification, Queuing and
Scheduling (CQS), [2-103](#)

Color-unaware one-rate two-color
marker, [2-108](#)

Committed burst size (CBS),
[2-108](#)

Committed information rate (CIR),
[2-108](#)

Congested second, [2-139](#)

Connector, [4-26](#)

connectors

electrical, [6-31](#)

optical, [6-30](#)

Core engineering

10 Gbit/s application, [6-20](#)

2.5 Gbit/s application, [6-19](#)

Core Unit 10G, [4-3](#)

Core Unit 2.5G, [4-2](#)

course

descriptions, [8-13](#)

registration, [8-12](#)

suitcase, arranging, [8-12](#)

suitcasing, [8-12](#)

course; listing, [8-13](#)

CQS

See: Classification, Queuing
and Scheduling

cross-connections, [2-13](#)

Customer

connectors, [4-25](#)

interface, [4-25](#)

Customer identification (CID),
[2-75](#)

-
- Customer identifier (CID), [2-70](#)
 - Customer role port, [2-70](#)
 - Customer-role port, [2-69](#), [2-75](#), [2-99](#), [2-99](#)
-
- D** DCC, [2-159](#), [5-10](#)
- DCC- partition repair, [5-37](#)
 - Default user priority, [2-112](#)
 - Delay-insensitive traffic, [2-114](#)
 - Delay-sensitive traffic, [2-114](#)
 - design life, [9-13](#)
 - Designated port, [2-47](#)
 - Differential delay, [2-40](#)
 - Dimensions, [10-42](#)
 - DNI, [2-24](#), [5-24](#)
 - advantages, [2-17](#)
 - configurations, [2-18](#)
 - with drop and continue, [2-17](#)
 - Dropper / Marker, [2-111](#)
 - Dropping precedence, [2-108](#)
 - Dual homing, [3-14](#)
 - Dynamic bandwidth adjustment (GbE), [2-41](#)
 - Dynamic VLAN ID list, [2-76](#)
-
- E** ED
- Engineering Drawing, [7-2](#)
 - EH&S management, [9-6](#)
 - electrical
 - connectors, [6-31](#)
 - EMC/ESD requirements, [6-5](#)
 - engineering service, [8-4](#)
 - engineering services; installation services, [6-2](#)
-
- Enhanced basic Ethernet PM counters, [2-134](#)
- Environment, [10-43](#)
- Environmental aspects, [9-6](#)
- environmental conditions, [6-5](#)
- EOW, [5-32](#)
- equipment, [2-151](#)
 - interconnection, [6-30](#)
- Equipment protection, [2-147](#)
- 1+1 cross-connect/timing unit SI-S16.1 C2/1 and SI-L16.2 C2/1, [2-149](#)
 - 1+1 cross-connect/timing unit SI-S64.2 C1/1 and SI-L64.2 C2/1, [2-149](#)
 - 1+1 E3/DS3, [2-148](#)
 - 1+1 STM1e, [2-148](#)
 - 1:N (N < 4) E1, [2-148](#)
 - configurations, [2-147](#)
- Ethernet
- E/FE features, [3-6](#)
 - GbE features, [3-9](#)
 - services, [3-6](#)
- Ethernet congestion monitoring counters, [2-139](#)
- Ethernet frame, [2-75](#)
- Ethernet frame size, [2-32](#)
- Ethernet high quality traffic counters, [2-136](#)
- ethernet interface, [2-7](#), [2-7](#)
- Ethernet low quality traffic counters, [2-138](#)
- Ethernet over SDH (EoS), [2-32](#)
- Ethernet service flow PM counters, [2-136](#)
- Ethernet service route, [2-141](#)
- Ethernet services
 - packets over SDH, [3-6](#)
- Ethernet switch, [2-31](#)
- Ethertype, [2-73](#), [2-77](#), [2-77](#), [2-78](#), [2-103](#)
- Ethertype swapping, [2-120](#)
- ETSI subracks, [6-28](#)
-
- F** Fan unit, [4-69](#)
- Fault detection, isolation and reporting, [5-17](#)
 - floor plan layout, [6-24](#), [6-28](#)
 - Flow classifier, [2-107](#)
 - Flow control, [2-66](#), [2-66](#)
-
- G** GARP VLAN Registration Protocol (GVRP), [2-51](#), [2-76](#)
- Generic framing procedure (GFP), [2-32](#)
- GFP encapsulation
 - VC12–Xv, [2-33](#)
 - VC3–Xv, [2-33](#)
 - VC4–Xv, [2-34](#)
- GVRP, [2-51](#), [2-100](#)
-
- H** Half-duplex and full-duplex, [3-7](#)
- Hardware
 - ordering, [7-2](#)
- Historic bins, [10-50](#)
- History records, [5-14](#)
- hot pluggable, [2-150](#)
- Hub node, [2-59](#), [2-60](#)
-
- I** IEEE 802.1ad VLAN tagging mode, [2-77](#)
-

-
- IEEE 802.1Q VLAN tagging, [2-76](#)
 - IEEE 802.3ah OAM, [2-89](#)
 - IEEE 802.3ah OAM performance monitoring counters, [2-140](#)
 - IGMP snooping, [2-85](#)
 - IMF
 - infant mortality factor, [9-13](#)
 - IMR
 - infant mortality rate, [9-13](#)
 - installation service, [8-2](#)
 - interface
 - ethernet, [2-7](#), [2-7](#)
 - Interface circuit packs, [4-4](#)
 - interfaces
 - operations, [5-9](#)
 - inventory, [2-151](#)
 - Inventory contro, [5-14](#)
 - IP-GE/2F (LKA52), [4-46](#)
 - IP-GE/2F-OS (LKA53), [4-48](#), [4-50](#)
 - ITM CIT access, [5-7](#)
 - ITU-T, [A-1](#)
-
- J** JO byte, [5-19](#)
 - Jumbo frames, [2-32](#)
-
- L** LAN
 - performance LAN interfac, [5-17](#)
 - related alarms, [5-17](#)
 - LAN group, [2-31](#), [2-70](#), [2-75](#)
 - LAN interconnect, [2-67](#)
 - LAN interconnect mode, [2-68](#)
 - LAN port, [2-30](#)
-
- LAN-VPN, [2-69](#)
 - LAN-VPN with QoS, [2-70](#)
 - LBO
 - lightguide build-out, [6-30](#), [7-10](#)
 - LCAS
 - See: Link capacity adjustment scheme
 - LCAS and Ethernet encapsulation mode, [2-40](#)
 - Learning bridges, [2-35](#)
 - Link aggregation, [2-83](#)
 - Link capacity adjustment scheme (LCAS), [2-40](#)
 - Link Pass Through, [2-81](#)
 - Load balancing, [2-84](#)
 - Loaded seconds, [2-137](#)
 - Login and password aging, [5-12](#)
 - loopbacks, [5-20](#)
 - LWS
 - Alcatel-Lucent Worldwide Services, [8-4](#)
 - LXC functionality, [3-13](#)
-
- M** maintainability specifications, [9-13](#)
 - Maintenance, [5-16](#)
 - maintenance
 - using WaveStar CIT, [5-8](#)
 - maintenance service, [8-7](#)
 - Maintenance tier
 - first, [2-157](#)
 - second, [2-157](#)
 - Mapping structure, [10-32](#)
 - Maximum bridge diameter, [2-44](#)
 - MDI/MDO, [10-53](#)
-
- mean time to repair, [9-13](#)
 - Miscellaneous discretets, [5-9](#)
 - Monitoring points, [5-27](#)
 - MSP, [2-22](#), [5-24](#)
 - MS-SPRing, [2-14](#), [5-24](#)
 - 2 fiber, [2-15](#)
 - APS/K-byte protocol, [2-15](#)
 - at STM-16 and STM-64 level, [2-14](#)
 - channels, [2-15](#)
 - Parameters for provisioning, [2-16](#)
 - MTBF
 - Mean Time Between Failures, [9-13](#)
 - multiplex section shared protection ring (MS-SPRing), [2-14](#)
-
- N** Navis® Optical NMS, [2-157](#)
 - NE
 - power dissipation, [10-36](#)
 - synchronization, [10-34](#)
 - NE management and remote operations interfaces, [5-16](#)
 - Network
 - management, [10-44](#)
 - management interfaces, [5-10](#)
 - planning, [6-2](#)
 - synchronization, [6-22](#)
 - Network role port, [2-70](#)
 - Network tiers, [3-1](#)
 - Network-role port, [2-69](#), [2-75](#), [2-99](#), [2-99](#)
 - Non-intrusively monitoring, [2-25](#)

-
- O** OAM sublayer, [2-89](#)
- OAMP, [5-1](#)
- OAM&P, [5-3](#), [10-49](#)
- operations
- interfaces, [5-9](#)
- Operations Interfaces
- F interface, [2-10](#)
 - Office Alarm Interfaces, [2-10](#)
 - Q interfaces, [2-10](#)
 - User-settable miscellaneous discrete, [2-10](#)
- Operations System Interfaces, [5-3](#)
- optical
- connectors, [6-30](#)
- optical interface module, [2-150](#)
- orderwire, [5-32](#)
- OSI LAN, [2-158](#)
- Overhead bytes processing, [10-46](#)
- Oversubscription mode, [2-110](#)
-
- P** Paddle boards, [4-24](#)
- Available paddle boards, [7-6](#)
 - position in subrack, [6-15](#)
- Path cost, [2-46](#)
- path overhead, [A-10](#)
- Pause operation, [2-66](#)
- Peak information rate (PIR), [2-109](#)
- Performance monitoring, [2-132](#)
- Performance Monitoring, [5-26](#)
- Performance monitoring, [5-26](#), [10-50](#)
- on the Gigabit Ethernet Card, [5-26](#)
- planning
- considerations, [6-2](#)
- Planning data, [10-22](#), [10-25](#)
- Plesiochronous Digital Hierarchy (PDH), [A-1](#)
- PLL, [4-63](#)
- Port role, [2-97](#)
- Port VLAN identifier (PVID), [2-76](#)
- position in subrack, [6-11](#)
- Printed circuit boards, [4-23](#)
- Privilege codes, [5-12](#)
- product
- development, [9-5](#)
- Product description, [4-1](#)
- Propagation delay, [2-40](#)
- Protection
- equipment, [2-147](#)
 - MSP, [2-22](#)
 - network, [2-12](#)
 - SNCP/N, [2-24](#)
- Protection and redundancy, [5-24](#)
- Protection mechanism, [2-22](#)
- Provider bridge mode, [2-103](#)
- Provider bridge tagging mode, [2-77](#)
- Provisioning, [5-34](#)
- bridge priority, [2-49](#)
 - default, [5-34](#)
- provisioning
- definition, [5-33](#)
- Provisioning
- LAN and WAN ports details, [2-105](#)
 - of slot, [5-35](#)
- path cost, [2-49](#)
- port modes, [5-35](#)
- port priority, [2-49](#)
- reports, [5-34](#)
- TTP modes, [5-36](#)
- Provisioning
- SS bits, [5-34](#)
-
- Q** Quality and reliability, [9-3](#)
- Quality of service, [2-37](#)
- Quality of Service, [2-102](#)
- Quality of service, [5-18](#)
- quality policy, [9-3](#)
- Queue, [2-114](#)
- Queue scheduling method, [2-114](#)
-
- R** Rack
- ordering, [7-2](#)
- Rapid spanning tree protocol (rSTP), [2-50](#)
- Rate control, [2-60](#)
- Rate control mode, [2-111](#)
- Rate control modes, [2-110](#)
- record, circuit provisioning, [2-160](#)
- Reliability, [9-14](#)
- and service availability, [9-15](#)
- reliability
- product, [9-3](#)
- Reliability
- specifications, [9-15](#)
- Repeater, [2-64](#)
- Repeater mode, [2-55](#)
- Reports
- active alarms and status, [5-29](#)

-
- date and time function, [5-29](#)
 - of analog parameters, [5-30](#)
 - per fault-type per instance, [5-29](#)
 - synchronization repor, [5-31](#)
 - version/equipment list, [5-31](#)
 - retiming
 - 2 Mbit/s tributary, [2-155](#)
 - Robustness, [9-21](#)
 - RoHS Directive, [9-11](#)
 - Root port, [2-46](#)
 - Round trip delay measurements, [2-141](#)
 - rSTP
 - See: Rapid spanning tree protocol
-
- S**
- Scheduler, [2-114](#)
 - SDH, [A-1](#)
 - section overhead, [A-9](#)
 - Security, [2-157](#)
 - security, [5-8](#), [5-12](#)
 - self healing, [2-14](#)
 - Service level agreements, [2-105](#)
 - Severely loaded seconds, [2-138](#)
 - SFP, [2-150](#)
 - slide-in module, [2-150](#)
 - Small Form Factor Pluggable, [2-150](#)
 - SFP, [2-5](#)
 - SNC protection
 - for cascaded SNCP sections, [2-26](#)
 - hold-off timers, [2-26](#)
 - SNC/N, [2-24](#)
 - SNCP, [5-25](#)
 - SNCP/N protection commands, [2-26](#)
 - Software download, [2-158](#), [4-67](#)
 - Software upgrades, [5-14](#)
 - Spanning tree, [2-71](#)
 - Spanning tree protocol, [2-44](#), [2-47](#)
 - Spanning tree with VPN registration protocol (STVRP), [2-51](#), [2-71](#), [2-76](#)
 - spare stock, [10-54](#)
 - Specifications
 - electrical interfaces, [10-31](#)
 - optical connector interfaces, [10-26](#)
 - power, [10-36](#)
 - transmission performance, [10-33](#)
 - Speed and connectors, [3-11](#)
 - Speed, cable and connector, [3-11](#)
 - Static VLAN ID list, [2-76](#)
 - STM-1 frame, [A-4](#)
 - STP
 - See: Spanning tree protocol
 - per virtual switch per operation mode, [2-48](#)
 - status parameters, [2-48](#)
 - Strict policing mode, [2-110](#)
 - Strict priority, [2-115](#)
 - STVRP, [2-51](#), [2-76](#), [2-100](#)
 - See: Spanning tree with VPN registration protocol
 - Subrack, [4-14](#), [6-10](#)
 - subrack, [6-28](#)
 - 2200 mm by 300 mm, [6-28](#), [6-28](#)
 - 2200 mm by 600 mm, [6-29](#)
 - 2600 mm by 300 mm, [6-29](#)
 - 2600 mm by 600 mm, [6-29](#)
 - earthquake proof, [6-29](#)
 - Supervision and alarms, [10-52](#)
 - Switch priority, [2-45](#)
 - Synchronization, [2-153](#)
 - configurations, [2-153](#)
 - status message support, [2-155](#)
 - Synchronization and timing, [10-34](#)
 - Synchronizing, [4-59](#)
 - Synchronous Digital Hierarchy (SDH), [A-1](#)
 - Synchronous Transport Module 1 (STM-1), [A-4](#)
 - System
 - interconnection types, [4-24](#)
 - System control, [4-67](#)
 - System management
 - features, [4-67](#)
 - OMS, [4-67](#)
 - System planning and engineering, [6-1](#)
-
- T**
- Technical specifications, [10-1](#)
 - Test
 - LED, [5-23](#)
 - local system, [5-22](#)
 - Threshold report, [5-27](#)
 - Tiers, [3-1](#)
 - Timing, [2-153](#), [4-59](#)
 - architecture, [4-59](#)
 - back-up timing, [4-65](#)
 - clock/synchronous distribution on circuit packs, [4-66](#)

-
- external reference outputs, 4-61
 - free running operation, 4-64
 - hold-over mode, 4-65
 - locked mode, 4-64
 - locked to external timing reference operation, 4-65
 - locked-to-line or tributary timing mode, 4-64
 - mode protection, 2-154
 - modes, 4-63
 - reference, 4-59
 - Also see: inputs
 - reference protection, 2-154
 - select reference, 4-63
 - Timing modes, 10-35
 - TL1 interface, 5-7
 - TOP, 2-14
 - TPID (Ethertype) translation, 2-120
 - Traffic class, 2-112, 2-114
 - training, 8-12
 - transceiver module, 6-30
 - transoceanic protocol, 2-14
 - Transparent tagging, 2-75
 - Trunking applications, 2-58
 - Trunking LAN interface, 2-76
 - TSS
 - Technical Support Service, 8-9
-
- U** Unit
 - descriptions, 4-30
 - Units
 - Core, 272/64 10G, 4-33
 - core, 64/32 2.5G, 4-30, 4-30, 4-31, 4-32, 4-41, 4-41
 - Data interface unit IP-GE/2, 4-46, 4-46
 - Data Interface unit LAN
 - FastEthernet Mb-EOS, 4-45, 4-45
 - Fan Unit, 4-69
 - Paddle Board 2 Mbit/s, protected, 4-53, 4-53
 - Paddle Board 2 Mbit/s, unprotected, 4-53, 4-53
 - Paddle Board 34/45 Mbit/s, 4-54
 - Paddle Board STM-1e, 4-54
 - Paddle board-LAN/100/8, 4-56
 - Paddle board-LAN/12x10/100BaseT, 4-55, 4-55
 - Plesiosynchronous Interface unit 1.5Mbit/s, 4-41
 - Plesiosynchronous Interface unit 2Mbit/s, 4-42
 - Plesiosynchronous Interface unit 34Mbit/s/45Mbit/s, 4-42
 - Power Unit, 4-68
 - Synchronous Interface unit STM-1e, 4-42
 - Synchronous Interface units STM-16, 4-43
 - Synchronous Interface units STM-1o, 4-43
 - Synchronous Interface units STM-4, 4-43, 4-44
 - System Controller, 4-56
 - User channels, 5-32
 - User login security, 5-12
 - User panel, 5-4, 10-52
 - controls and connector, 5-5
 - LEDs and connector, 5-4
 - User priority, 2-105, 2-112
 - User privilege codes, 5-12
-
- V** VC allocation (GbE), 2-43
 - Version recognition, 5-14
 - Virtual concatenation, 2-34, 2-38, 2-38
 - Virtual switch, 2-31
 - visible alarms, 5-3, 5-4
 - VLAN
 - trunking, 2-72
 - VLAN ID list, 2-76
 - VLAN tagging, 2-76
 - VLAN trunking, 2-35, 2-58
 - VPN tagging, 2-70, 2-75
-
- W** WAN bandwidth, 3-8
 - WAN port, 2-30
 - WAN port capacity, 3-8
 - Weight, 10-43
 - Weighted bandwidth, 2-115