



Alcatel-Lucent

7450 ETHERNET SERVICE SWITCH

7750 SERVICE ROUTER

7950 EXTENSIBLE ROUTING SYSTEM

QUALITY OF SERVICE GUIDE

RELEASE 14.0.R1

Alcatel-Lucent Proprietary
This document contains proprietary information of Alcatel-Lucent and is not to be disclosed or used except in
accordance with applicable agreements.
Copyright 2016 © Alcatel-Lucent. All rights reserved.

Alcatel-Lucent assumes no responsibility for the accuracy of the information presented, which is subject to change without notice.

Alcatel, Lucent, Alcatel-Lucent and the Alcatel-Lucent logo are trademarks of Alcatel-Lucent. All other trademarks are the property of their respective owners.

Copyright 2016 Alcatel-Lucent.

All rights reserved.

Disclaimers

Alcatel-Lucent products are intended for commercial uses. Without the appropriate network design engineering, they must not be sold, licensed or otherwise distributed for use in any hazardous environments requiring fail-safe performance, such as in the operation of nuclear facilities, aircraft navigation or communication systems, air traffic control, direct life-support machines, or weapons systems, in which the failure of products could lead directly to death, personal injury, or severe physical or environmental damage. The customer hereby agrees that the use, sale, license or other distribution of the products for any such application without the prior written consent of Alcatel-Lucent, shall be at the customer's sole risk. The customer hereby agrees to defend and hold Alcatel-Lucent harmless from any claims for loss, cost, damage, expense or liability that may arise out of or in connection with the use, sale, license or other distribution of the products in such applications.

This document may contain information regarding the use and installation of non-Alcatel-Lucent products. Please note that this information is provided as a courtesy to assist you. While Alcatel-Lucent tries to ensure that this information accurately reflects information provided by the supplier, please refer to the materials provided with any non-Alcatel-Lucent product and contact the supplier for confirmation. Alcatel-Lucent assumes no responsibility or liability for incorrect or incomplete information provided about non-Alcatel-Lucent products.

However, this does not constitute a representation or warranty. The warranties provided for Alcatel-Lucent products, if any, are set forth in contractual documentation entered into by Alcatel-Lucent and its customers.

This document was originally written in English. If there is any conflict or inconsistency between the English version and any other version of a document, the English version shall prevail.

Table of Contents

Getting Started	15
About This Guide.....	15
Alcatel-Lucent SR-Series Router Services Configuration Process	15
QoS Policies	17
In This Chapter.....	17
QoS Overview	17
Forwarding Classes.....	18
High Priority Classes.....	19
Assured Classes	20
Best-Effort Classes	20
Queue Parameters	21
Queue ID	21
Unicast or Multipoint Queue	21
Queue Hardware Scheduler.....	22
Committed Information Rate	22
Peak Information Rate.....	23
Adaptation Rule.....	24
Committed Burst Size	25
Maximum Burst Size	26
High Priority Only Buffers	26
Hi-Low Priority Only Buffers	27
WRED Per Queue	27
Native Queue Mode	28
Pool per Queue Mode	31
Packet Markings.....	34
Queue Counters	35
Queue-Types.....	36
Color Aware Profiling.....	36
QoS Policies	37
Service versus Network QoS	40
QoS Policy Entities.....	41
Network QoS Policies.....	42
Network Queue QoS Policies.....	44
Service Ingress QoS Policies	47
FC Mapping Based on EXP Bits at VLL/VPLS SAP	50
Egress Forwarding Class Override	53
Service Egress QoS Policies.....	54
Named Pool Policies	56
Slope Policies.....	58
RED Slopes.....	59
Tuning the Shared Buffer Utilization Calculation.....	62
Slope Policy Parameters	64
Scheduler Policies.....	65
Virtual Hierarchical Scheduling	67
Tiers	68

Table of Contents

Scheduler Policies Applied to Applications	71
Scheduler Policies Applied to SAPs	73
Customer Service Level Agreement (SLA)	74
Scheduler Policies Applied to Multi-Service Sites	74
Shared Queues	74
ATM Traffic Descriptor Profiles	75
Configuration Notes	75
Network QoS Policies	77
In This Section	77
Overview	77
Network Ingress Tunnel QoS Override	78
For Tunnel Terminated IP Routing Decisions	78
QoS for Self-Generated (CPU) Traffic on Network Interfaces	81
Basic Configurations	84
Create a Network QoS Policy	84
Applying Network Policies	86
Default Network Policy Values	87
Service Management Tasks	91
Deleting QoS Policies	91
Remove a Policy from the QoS Configuration	92
Copying and Overwriting Network Policies	93
Editing QoS Policies	94
Network QoS Policy Command Reference	95
Command Hierarchies	95
Configuration Commands	95
Self-Generated Traffic Commands	97
Operational Commands	98
Show Commands	98
Command Descriptions	99
Configuration Commands	99
Operational Commands	99
Show Commands	133
Network Queue QoS Policies	147
In This Section	147
Overview	147
Network Queue Parent Scheduler	148
Basic Configurations	148
Create a Network Queue QoS Policy	148
Applying Network Queue Policies	151
XMAS and MDAs	151
Ethernet Ports	152
SONET/SDH Ports	153
Default Network Queue Policy Values	153
Service Management Tasks	158
Deleting QoS Policies	159
Remove a Policy from the QoS Configuration	159
Copying and Overwriting QoS Policies	159

Editing QoS Policies	160
Network Queue QoS Policy Command Reference	161
Command Hierarchies	161
Configuration Commands	161
Operational Commands	162
Show Commands	162
Command Descriptions	162
Configuration Commands	162
Operational Commands	163
Show Commands	185
Service Egress and Ingress QoS Policies	189
In This Section	189
Overview	190
Basic Configurations	190
Service Egress QoS Policy	191
Service Egress QoS Queue	192
Percent-Rate Support	192
Dynamic MBS for Egress Queue Group Queues	193
Queue Length as a Delay Value	195
Egress SAP Forwarding Class and Forwarding Profile Overrides	196
Egress Criteria Classification Directly to Policer	197
Dot1p Egress Remarking	199
DEI Egress Remarking	200
DSCP/Prec Egress Remarking	204
Queue Depth Monitoring	205
Service Ingress QoS Policy	207
Service Ingress QoS Queue	208
Percent-Rate Support	209
Service Ingress Forwarding Class (FC)	210
Service Ingress IP Match Criteria	211
Service Ingress IPv6 Match Criteria	212
Service Ingress MAC Match Criteria	212
VLAN ID Matching	213
Ingress Criteria Classification Directly to Policer	214
Virtual Network Identifier (VNI) Classification	215
FC Mapping Based on EXP Bits	216
Service Management Tasks	217
Applying Service Ingress and Egress Policies	217
Epipe	218
IES	218
VPLS	219
VPRN	219
Editing QoS Policies	220
Copying and Overwriting QoS Policies	220
Deleting QoS Policies	221
Remove a Policy from the QoS Configuration	221
Service SAP QoS Policy Command Reference	223
Command Hierarchies	223

Table of Contents

Service Ingress QoS Policy Commands	223
Service Egress QoS Policy Commands	227
Operational Commands	230
Show Commands	231
Command Descriptions	231
Configuration Commands	231
Operational Commands	232
Show Commands	370
Queue Sharing and Redirection	389
In This Section	389
Queue Sharing and Redirection	389
Supported Platforms	390
Queue Group Applications	390
Access SAP Queue Group Applications	390
Ingress Access Port Queue Group Hardware Queue Allocation	391
Network Port Queue Groups for IP Interfaces	392
Pseudowire Shaping for Layer 2 and Layer 3 Services	392
QoS on Ingress Bindings	393
Queue Group Templates and Port Queue Groups	395
Queue Group Templates	395
Port Queue Groups	396
Percent-Rate Support	396
Forwarding Plane Queue Groups	396
Redirection Models	397
Access SAP Forwarding Class Based Redirection	398
Ingress and Egress SAP Forwarding Class Redirection Association Rules	400
Policy Based Provisioning Model	400
SAP-Based Provisioning Model	402
Access Queue Group Statistics	404
Port Queue Groups	404
Forwarding Plane Queue Groups	404
Network IP Interface Forwarding Class-Based Redirection	405
Egress Network Forwarding Class Redirection Association Rules	405
Egress Network IP Interface Statistics	407
Separate Ingress IPv4 and IPv6 Statistics	407
Ingress PW Shaping Using Spoke-SDP Forwarding Class-Based Redirection	407
Feature Configuration	408
Provisioning Model	409
Ingress Packet Classification	411
Egress PW Shaping using Spoke-SDP Forwarding Class-Based Redirection	411
Feature Configuration	411
Provisioning Model	412
Egress Marking of PW Packet Header	414
Egress Packet Re-Classification Based on IPv4/IPv6 Criteria	414
Ingress Per SAP Statistics with Ingress Queue Groups	415
Ingress and Egress PW Statistics	417
Queue Group Behavior on LAG	418
Queue Group Queue Instantiation Per Link	418

Per Link Queue Group Queue Parameters	418
Adding a Queue Group to an Existing LAG	418
Removing a Queue Group from a LAG	418
Adding a Port to a LAG	419
Basic Configurations	419
Configuring an Ingress Queue Group Template	419
Configuring Egress Queue Group Template	420
Applying Ingress Queue Group to SAP Ingress Policy	420
Applying Egress Queue Group to SAP Egress Policy	421
SAP-based Egress Queue Re-direction	422
Configuring Queue Group on Ethernet Access Ingress Port	423
Configuring Overrides	424
Configuring Queue Group on Ethernet Access Egress Port	425
Configuring Queue Group for Network Egress Traffic on Port	426
Configuring Queue Group for Network Ingress Traffic on Forwarding Plane	427
Using Queue Groups to Police Ingress/Egress Traffic on Network Interface	428
Configuring Ingress/Egress PW Shaping Using Spoke-SDP Forwarding Class-Based Redirection	429
Specifying QoS Policies on Service SAPs	432
QoS Queue Group Template Command Reference	433
Command Hierarchies	433
Configuring Egress Queue Group Templates	433
Configuring Ingress Queue Group Templates	434
Show Commands	436
Monitor Commands	436
Command Descriptions	437
Configuration Commands	437
Show Commands	466
Monitor Commands	500
QoS Scheduler Policies	505
In This Section	505
Overview	505
Scheduler Policies	505
Egress Port-Based Schedulers	506
Service/Subscriber or Multi-service Site Egress Port Bandwidth Allocation	508
Service or Subscriber or Multi-service site Scheduler Child to Port Scheduler Parent	510
Frame and Packet-Based Bandwidth Allocation	513
Queue Parental Association Scope	515
Service or Subscriber or Multi-service Site-Level Scheduler Parental Association Scope	516
Network Queue Parent Scheduler	517
Foster Parent Behavior for Orphaned Queues and Schedulers	517
Congestion Monitoring on Egress Port Scheduler	518
Frame-Based Accounting	524
Operational Modifications	524
Existing Egress Port Based Virtual Scheduling	525
Queue Behavior Modifications for Frame Based Accounting	525
Virtual Scheduler Rate and Queue Rate Parameter Interpretation	525
Virtual Scheduling Unused Bandwidth Distribution	526
Default Unused Bandwidth Distribution	526

Table of Contents

Limit Unused Bandwidth	527
Configuring Port Scheduler Policies	529
Port Scheduler Structure	529
Special Orphan Queue and Scheduler Behavior	529
Packet to Frame Bandwidth Conversion	530
Aggregate Rate Limits for Directly Attached Queues	531
SAP Egress QoS Policy Queue Parenting	531
Network Queue QoS Policy Queue Parenting	532
Egress Port Scheduler Overrides	532
Applying a Port Scheduler Policy to a Virtual Port	532
Applying Aggregate Rate Limit to a VPORT	534
Applying a Scheduler Policy to a VPORT	534
Weighted Scheduler Group in a Port Scheduler Policy	536
Basic Configurations	536
Create a QoS Scheduler Policy	537
Applying Scheduler Policies	538
Creating a QoS Port Scheduler Policy	542
Configuring Port Parent Parameters	543
Within-CIR Priority Level Parameters	543
Above-CIR Priority Level Parameters	544
Configuring Distributed LAG Rate	544
Service Management Tasks	556
Deleting QoS Policies	556
Removing a QoS Policy from a Customer Multi-Service Site	557
Removing a QoS Policy from SAP(s)	557
Removing a Policy from the QoS Configuration	558
Copying and Overwriting Scheduler Policies	558
Editing QoS Policies	560
QoS Scheduler Policy Command Reference	561
Command Hierarchies	561
Scheduler Policy Configuration Commands	561
Port Scheduler Policy Configuration Commands	561
Operational Commands	562
Show Commands	562
Clear Commands	563
Command Descriptions	564
Configuration Commands	564
Operational Commands	564
Scheduler Policy Commands	565
Port Scheduler Policy Commands	573
Show Commands	581
Clear Commands	617
Slope QoS Policies	621
In This Section	621
Overview	621
Basic Configurations	622
Create a Slope QoS Policy	622
Applying Slope Policies	623

Default Slope Policy Values	625
Deleting QoS Policies.....	626
Ports.....	626
MDA (FP1)	627
FP (FP2 and higher based hardware).....	627
Remove a Policy from the QoS Configuration	628
Copying and Overwriting QoS Policies	628
Editing QoS Policies.....	629
Slope QoS Policy Command Reference	631
Command Hierarchies.....	631
Configuration Commands	631
Operational Commands	631
Show Commands.....	632
Command Descriptions	632
Configuration Commands	632
Operational Commands	632
Show Commands.....	638
Shared-Queue QoS Policies	641
In This Section.....	641
Overview.....	641
Multipoint Shared Queuing.....	642
Ingress Queuing Modes of Operation	642
Ingress Service Queuing.....	642
Basic Configurations	647
Modifying the Default Shared-Queue Policy	648
Applying Shared-Queue Policies	648
Default Shared Queue Policy Values	651
Shared-Queue QoS Policy Command Reference.....	657
Command Hierarchies.....	657
Configuration Commands	657
Show Commands.....	657
Command Descriptions	658
Configuration Commands	658
Show Commands.....	667
Advanced QoS Policies	669
In This Section.....	669
Overview.....	669
Basic Configurations	670
Create an Advanced QoS Policy.....	670
Applying Advanced Policies.....	671
Default Advanced Policy Values	672
Deleting QoS Policies.....	672
Queue Group	672
SAP Ingress	673
SAP Egress.....	673
Copying and Overwriting Advanced Policies.....	673
Editing Advanced Policies	673

Table of Contents

Advanced QoS Policy Command Reference.....	675
Command Hierarchies.....	675
Configuration Commands	675
Operational Commands	675
Show Commands	676
Command Descriptions	676
Configuration Commands	676
Operational Commands	677
Show Commands	690
QoS ATM Traffic Descriptor Profiles	691
In This Section.....	691
Overview.....	691
ATM Traffic Descriptor Profiles	691
ATM Traffic Management.....	691
QoS Model for ATM-Based Services	692
ATM Service Categories	693
ATM Traffic Descriptors and QoS Parameters.....	693
Policing.....	694
Shaping.....	694
ATM Queuing and Scheduling	694
Congestion Avoidance	695
Basic Configurations	695
Create an ATM-TD-Profile QoS Policy.....	695
Applying ATM-TD-Profile Policies	696
Default ATM-TD-Profile Policy Values	698
Service Management Tasks	699
Removing a Profile from the QoS Configuration	699
Copying and Overwriting Profile.....	699
Editing QoS Policies.....	700
ATM QoS Policy Command Reference	701
Command Hierarchies.....	701
Configuration Commands	701
Operational Commands	701
Show Commands	701
Command Descriptions	702
Configuration Commands	702
Named Pools.....	719
In This Section.....	719
Overview.....	719
Named Pool Mode for IOM3-XP Card.....	722
Basic Configuration	723
Create a Named Pool QoS Policy.....	723
Named pool Configuration Procedure.....	723
Allocation Steps	725
Named Pools QoS Policy Command Reference	727
Command Hierarchies.....	727
Configuration Commands	727

Show Commands	728
Command Descriptions	728
Configuration Commands	728
Named Pool Policy Creation	729
Shared Queue QoS Commands	743
Network Queue QoS Policy Commands	746
Show Commands	750
High Scale Ethernet MDA Capabilities	757
In This Section	757
HSMMDA QoS Model	757
Queue Scaling	758
Port-Based Scheduling	758
Dual Pass Queuing	762
Egress Intermediate Destination Secondary Shapers	762
Packet and Octet Counting	764
Above CIR Discard with PIR Bypass	766
HSMMDA Ingress Queue Policing Mode	766
HSMMDA Buffer Utilization Controls	768
HSMMDA Buffer Pools	768
Identifying Queue Groups as Provisioned or System	768
Provisioned and System Port Class Pools	769
Aggregate Pools for Type and Class Separation	770
Use of Aggregate Control Buffer Pools	771
HSMMDA Buffer Pool Policy	773
Port Class Pool Sizing	775
HSMMDA Available Buffer Register Operation	775
HSMMDA Queue Congestion and Buffer Utilization Controls	776
Maximum HSMMDA Queue Depth	777
Control Plane HSMMDA RED Slope Policy Management	777
HSMMDA Slope Policy MBS Parameter	778
HSMMDA Slope Policy Slope Parameters	778
HSMMDA Slope Shutdown Behavior	782
Ingress Packet Mapping to HSMMDA RED Slope	782
Egress Packet Mapping to HSMMDA RED Slope	782
HSMMDA Queue Congestion or Pool Congestion Discard Stats	783
Egress Queue CIR Based Dot1P Remarking	784
SAP Ingress and SAP Egress QoS Policies	784
SAP Ingress QoS Policy	784
SAP Egress QoS Policy	785
Subscriber Queuing Differences	786
HSMMDA Features	786
HSMMDA LAG	786
Billing	787
Resource Management	787
HSMMDA Queue Groups	788
Scheduling Classes	788
Scheduling Class Weighted Groups	789
Scheduler Strict Priority Levels	789

Table of Contents

Strict Priority Level PIR	789
Scheduler Maximum Rate	790
HSMDA Scheduler Policy Overrides	790
Orphan Queues	790
Default HSMDA Scheduling Policy	790
Basic HSMDA Configurations	791
HSMDA Pool Policies	791
HSMDA Scheduler Policies	792
HSMDA Slope Policies	793
Egress Queue Group	793
Configuring HSMDA Queue Group Overrides	794
Applying HSMDA Policies	794
HSMDA Command Reference	797
Command Hierarchies	797
Show Commands	798
Command Descriptions	798
Configuration Commands	798
QoS in MC-MLPPP	829
In This Section	829
Overview	829
Ingress MLPPP Class Reassembly	833
Configuring MC-MLPPP QoS Parameters	833
Basic Configurations	834
Configuring MC-MLPPP	836
QoS in MLFR and FRF.12 Fragmentation	836
QoS in MLFR	836
QoS in FRF.12 End-to-End Fragmentation	839
MLPPP Command Reference	841
Command Hierarchies	841
Configuration Commands	841
Command Descriptions	842
Configuration Commands	842
Class Fair Hierarchical Policing (CFHP)	847
In This Section	847
Introduction	847
Parent Policer Priority and Unfair Sensitive Discard Thresholds	849
CFHP Ingress and Egress Use Cases	851
Post-CFHP Queuing and Scheduling	851
Ingress CFHP Queuing	851
Egress CFHP Queuing	852
Policer to Local Queue Mapping	852
Egress Subscriber CFHP Queuing	853
Subscriber Destination String Queue Group Identification	854
SAP Default Destination String	854
CFHP Policer Control Policy	855
Policer Control Policy Root Arbiter	855
Tier 1 and Tier 2 Explicit Arbiters	856

Explicit Arbiter Rate Limits	856
CFHP with Child Policer Exceed PIR Enabled	856
CFHP Child Policer Definition and Creation	857
Policer Enabled SAP QoS Policy Applicability	858
Child Policer Parent Association	858
Profile Capped Policers	859
Policer Interaction with Initial Profile, Discard Eligibility, and Ingress Priority	861
Ingress 'Undefined' Initial Profile	863
Ingress Explicitly 'In-Profile' State Packet Handling without Profile-Capped Mode	863
Ingress Explicitly 'In-Profile' State Packet Handling with Profile-Capped Mode	864
Ingress Explicit 'Out-of-Profile' State Packet Handling	864
Egress Explicit Profile Reclassification	864
Preserving Out of Profile State at Egress Policer	865
Egress Policer CIR Packet Handling without Profile Capped Mode	865
Egress Policer CIR Packet Handling with Profile Capped Mode	865
Forwarding Traffic Exceeding PIR in Egress Policers	866
Ingress Child Policer Stat-Mode	866
Egress Child Policer Stat-Mode	869
Profile Preferred Mode Root Policers	870
Class Fair Hierarchical Policing (CFHP) Policy Command Reference	873
Command Hierarchies	873
Class Fair Hierarchical Policing Commands	873
Command Descriptions	874
Configuration Commands	874
Frequently Used QoS Terms	887
In This Chapter	887
Above CIR Distribution	888
Available Bandwidth	888
CBS	888
CIR	888
CIR Level	889
CIR Weight	889
Child	890
Level	890
MBS	890
MCR	890
Offered Load	891
Orphan	891
Parent	891
Queue	892
Rate	892
Root (Scheduler)	892
Scheduler Policy	893
Tier	893
Virtual Scheduler	893
Weight	893
Within CIR Distribution	894

Table of Contents

Standards and Protocol Support 895

Getting Started

About This Guide

This guide describes the Quality of Service (QoS) provided by the routers and presents examples to configure and implement various protocols and services.

This document is organized into functional chapters and provides concepts and descriptions of the implementation flow, as well as Command Line Interface (CLI) syntax and command usage.

Unless otherwise specified, the topics and commands described in this document apply to the:

- 7450 ESS
- 7750 SR
- 7950 XRS

7450 ESS applicability statements refer to the 7450 ESS when it is not running in mixed mode. 7750 SR applicability statements refer to the 7750 SR-7/12, 7750 SR-12e, 7750 SR-a4/a8 and 7750 SR-e1/e2/e3 platforms unless otherwise specified.

Command outputs shown in this guide are examples only; actual displays may differ depending on supported functionality and user configuration.

Alcatel-Lucent SR-Series Router Services Configuration Process

[Table 1](#) lists the tasks necessary to configure and apply QoS policies. This guide is presented in an overall logical configuration flow. Each section describes a software area and provides CLI syntax and command usage to configure parameters for a functional area.

Table 1: Configuration Process

Area	Task	Chapter	Supported Platform
Policy configuration	Configuring QoS Policies		
	Network	Network QoS Policies	All
	Network queue	Network Queue QoS Policies	All
	SAP ingress/SAP egress	Service Egress and Ingress QoS Policies	All
	Scheduler	QoS Scheduler Policies	All
	Slope	Slope QoS Policies	All
	Shared queue	Shared-Queue QoS Policies	7450 ESS, 7750 SR
	ATM traffic descriptor	QoS ATM Traffic Descriptor Profiles	7750 SR
	Named pools	Named Pools	7450 ESS, 7750 SR
	HSMDA	High Scale Ethernet MDA Capabilities	7750 SR
	CFHP	Class Fair Hierarchical Policing (CFHP)	7750 SR, 7950 XRS
Reference	List of IEEE, IETF, and other proprietary entities	Standards and Protocol Support	All

In This Chapter

This chapter provides information about Quality of Service (QoS) policy management.

Topics in this chapter include:

- [QoS Overview](#)
 - [Forwarding Classes](#)
 - [Queue Parameters](#)
- [QoS Policies](#)
 - [Service versus Network QoS](#)
 - [QoS Policy Entities](#)
 - [Network QoS Policies](#)
 - [Network Queue QoS Policies](#)
 - [Service Ingress QoS Policies](#)
 - [Service Egress QoS Policies](#)
 - [Named Pool Policies](#)
 - [Slope Policies](#)
 - [Scheduler Policies](#)
 - [Shared Queues](#)
 - [ATM Traffic Descriptor Profiles](#)
 - [Configuration Notes](#)

QoS Overview

Routers are designed with Quality of Service (QoS) mechanisms on both ingress and egress to support multiple customers and multiple services per physical interface. The router has an extensive and flexible capabilities to classify, police, shape and mark traffic.

In the Alcatel-Lucent service router's service model, a service is provisioned on the provider-edge (PE) equipment. Service data is encapsulated and then sent in a service tunnel to the far-end Alcatel-Lucent service router where the service data is delivered.

The operational theory of a service tunnel is that the encapsulation of the data between the two Alcatel Lucent service routers (such as the 7950 XRS, 7750 SR, 7750 SR MG and 7450 ESS) appear like a Layer 2 path to the service data although it is really traversing an IP or IP/MPLS core. The tunnel from one edge device to the other edge device is provisioned with an encapsulation and the services are mapped to the tunnel that most appropriately supports the service needs.

The router supports eight forwarding classes internally named: Network-Control, High-1, Expedited, High-2, Low-1, Assured, Low-2 and Best-Effort. The forwarding classes are discussed in more detail in [Forwarding Classes](#).

Router QoS policies control how QoS is handled at distinct points in the service delivery model within the device. There are different types of QoS policies that cater to the different QoS needs at each point in the service delivery model. QoS policies are defined in a global context in the router and only take effect when the policy is applied to a relevant entity.

QoS policies are uniquely identified with a policy ID number or name. Policy ID 1 or Policy ID "default" is reserved for the default policy which is used if no policy is explicitly applied.

The QoS policies within the router can be divided into three main types:

- QoS policies are used for classification, defining and queuing attributes and marking.
- Slope policies define default buffer allocations and WRED slope definitions.
- Scheduler policies determine how queues are scheduled.

Forwarding Classes

Routers support multiple forwarding classes and class-based queuing, so the concept of forwarding classes is common to all of the QoS policies.

Each forwarding class (also called Class of Service (CoS)) is important only in relation to the other forwarding classes. A forwarding class provides network elements a method to weigh the relative importance of one packet over another in a different forwarding class.

Queues are created for a specific forwarding class to determine the manner in which the queue output is scheduled into the switch fabric. The forwarding class of the packet, along with the profile state, determines how the packet is queued and handled (the per hop behavior (PHB)) at each hop along its path to a destination egress point. Routers support eight (8) forwarding classes ([Table 2](#)).

Table 2: Forwarding Classes

FC-ID	FC Name	FC Designation	DiffServ Name	Class Type	Notes
7	Network Control	NC	NC2	High-Priority	Intended for network control traffic
6	High-1	H1	NC1		Intended for a second network control class or delay/jitter sensitive traffic
5	Expedited	EF	EF		Intended for delay/jitter sensitive traffic
4	High-2	H2	AF4		Intended for delay/jitter sensitive traffic
3	Low-1	L1	AF2	Assured	Intended for assured traffic. Also is the default priority for network management traffic
2	Assured	AF	AF1		Intended for assured traffic
1	Low-2	L2	CS1	Best Effort	Intended for BE traffic
0	Best Effort	BE	BE		

[Table 2](#) presents the default definitions for the forwarding classes. The forwarding class behavior, in terms of ingress marking interpretation and egress marking, can be changed by a [Network QoS Policies](#). All forwarding class queues support the concept of in-profile and out-of-profile, and exceed-profile at egress.

The forwarding classes can be classified into three class types:

- High priority/Premium
- Assured
- Best effort

High Priority Classes

The high priority forwarding classes are Network Control (nc), Expedited (ef), High 1 (h1), and High 2 (h2). High priority forwarding classes are always serviced at congestion points over other forwarding classes; this behavior is determined by the router queue scheduling algorithm ([Virtual Hierarchical Scheduling](#)).

With a strict PHB at each network hop, service latency is mainly affected by the amount of high-priority traffic at each hop. These classes are intended to be used for network control traffic or for delay or jitter-sensitive services.

If the service core network is over-subscribed, a mechanism to traffic engineer a path through the core network and reserve bandwidth must be used to apply strict control over the delay and bandwidth requirements of high-priority traffic. In the router, RSVP-TE can be used to create a path defined by an MPLS LSP through the core. Premium services are then mapped to the LSP with care exercised to not oversubscribe the reserved bandwidth.

If the core network has sufficient bandwidth, it is possible to effectively support the delay and jitter characteristics of high-priority traffic without utilizing traffic engineered paths, as long as the core treats high-priority traffic with the proper PHB.

Assured Classes

The assured forwarding classes are Assured (af) and Low 1 (11). Assured forwarding classes provide services with a committed rate and a peak rate much like Frame Relay. Packets transmitted through the queue at or below the committed transmission rate are marked in-profile. If the core service network has sufficient bandwidth along the path for the assured traffic, all aggregate in-profile service packets will reach the service destination. Packets transmitted out the service queue that are above the committed rate will be marked out-of-profile or exceed-profile (if exceeding the PIR is enabled). When an assured out-of-profile or exceed-profile service packet is received at a congestion point in the network, it will be discarded before in-profile assured service packets.

Multiple assured classes are supported with relative weighting between them. In DiffServ, the code points for the various Assured classes are AF4, AF3, AF2 and AF1. Typically, AF4 has the highest weight of the four and AF1 the lowest. The Assured and Low 1 classes are differentiated based on the default DSCP mappings. All DSCP and EXP mappings can be modified by the user.

Best-Effort Classes

The best-effort classes are Low 2 (12) and Best-Effort (be). The best-effort forwarding classes have no delivery guarantees. All packets within this class are treated by default as out-of-profile assured service packets.

Queue Parameters

This section describes the queue parameters provisioned on access and queues for QoS.

The queue parameters are:

- [Queue ID](#)
- [Unicast or Multipoint Queue](#)
- [Queue Hardware Scheduler](#)
- [Committed Information Rate](#)
- [Peak Information Rate](#)
- [Adaptation Rule](#)
- [Committed Burst Size](#)
- [Maximum Burst Size](#)
- [High Priority Only Buffers](#)
- [Hi-Low Priority Only Buffers](#)
- [WRED Per Queue](#)
- [Packet Markings](#)
- [Queue-Types](#)

Queue ID

The queue ID is used to uniquely identify the queue. The queue ID is only unique within the context of the QoS policy within which the queue is defined.

Unicast or Multipoint Queue

Currently, for the 7750 SR and 7950 XRS, only VPLS services use multipoint ingress queues, although IES and VPRN services use multipoint ingress queues for multicast traffic alone when PIM is enabled on the service interface.

Queue Hardware Scheduler

The hardware scheduler for a queue dictates how it will be scheduled relative to other queues at the hardware level. When a queue is defined in a service ingress or service egress QoS policy, it is possible to explicitly define the hardware scheduler to use for the queue when it is applied to a SAP.

Being able to define a hardware scheduler is important as a single queue allows support for multiple forwarding classes. The default behavior is to automatically choose the expedited or non-expedited nature of the queue based on the forwarding classes mapped to it. As long as all forwarding classes mapped to the queue are expedited (nc, ef, h1 or h2), the queue will be treated as an expedited queue by the hardware schedulers. When any non-expedited forwarding classes are mapped to the queue (be, af, l1 or l2), the queue will be treated as best effort by the hardware schedulers.

The expedited hardware schedulers are used to enforce expedited access to internal switch fabric destinations.

Committed Information Rate

The committed information rate (CIR) for a queue performs two distinct functions:

1. Profile marking service ingress queues — Service ingress queues mark packets in-profile or out-of-profile based on the queue's CIR. For each packet in a service ingress queue, the CIR is checked with the current transmission rate of the queue. If the current rate is at or below the CIR threshold, the transmitted packet is internally marked in-profile. If the current rate is above the threshold, the transmitted packet is internally marked out-of-profile.
2. Scheduler queue priority metric — The scheduler serving a group of service ingress or egress queues prioritizes individual queues based on their current CIR and PIR states. Queues operating below their CIR are always served before those queues operating at or above their CIR. Queue scheduling is discussed in [Virtual Hierarchical Scheduling](#).

All router queues support the concept of in-profile and out-of-profile. The network QoS policy applied at network egress determines how or if the profile state is marked in packets transmitted into the service core network. If the profile state is marked in the service core packets, out-of-profile packets are preferentially dropped over in-profile packets at congestion points in the core.

1. When defining the CIR for a queue, the value specified is the administrative CIR for the queue. The router has a number of native rates in hardware that it uses to determine the operational CIR for the queue. The user has some control over how the administrative CIR is converted to an operational CIR should the hardware not support the exact CIR and PIR combination specified. The interpretation of the administrative CIR is discussed below in [Adaptation Rule](#)

Although the router is flexible in how the CIR can be configured, there are conventional ranges for the CIR based on the forwarding class of a queue. A service ingress queue associated with the high-priority class normally has the CIR threshold equal to the PIR rate although the router allows the CIR to be provisioned to any rate below the PIR should this behavior be required. If the service egress queue is associated with a best-effort class, the CIR threshold is normally set to zero; again the setting of this parameter is flexible.

The CIR for a service queue is provisioned on ingress and egress service queues within service ingress QoS policies and service egress QoS policies, respectively.

The CIR for network queues are defined within network queue policies based on the forwarding class. The CIR for the queues for the forwarding class are defined as a percentage of the network interface bandwidth.

Peak Information Rate

The peak information rate (PIR) defines the maximum rate at which packets are allowed to exit the queue. It does not specify the maximum rate at which packets may enter the queue; this is governed by the queue's ability to absorb bursts and is defined by its maximum burst size (MBS).

The actual transmission rate of a service queue depends on more than just its PIR. Each queue is competing for transmission bandwidth with other queues. Each queue's PIR, CIR and the relative importance of the scheduler serving the queue all combine to affect a queue's ability to transmit packets as discussed in [Single Tier Scheduling](#).

The PIR is provisioned on ingress and egress service queues within service ingress QoS policies and service egress QoS policies, respectively.

The PIR for network queues are defined within network queue policies based on the forwarding class. The PIR for the queues for the forwarding class are defined as a percentage of the network interface bandwidth.

Queue Parameters

When defining the PIR for a queue, the value specified is the administrative PIR for the queue. The router has a number of native rates in hardware that it uses to determine the operational PIR for the queue. The user has some control over how the administrative PIR is converted to an operational PIR should the hardware not support the exact CIR and PIR values specified. The interpretation of the administrative PIR is discussed below in [Adaptation Rule](#).

Adaptation Rule

The adaptation rule provides the QoS provisioning system with the ability to adapt specific CIR and PIR defined administrative rates to the underlying capabilities of the hardware the queue will be created on to derive the operational rates. The administrative CIR and PIR rates are translated to actual operational rates enforced by the hardware queue. The rule provides a constraint used when the exact rate is not available due to hardware implementation trade-offs.

For the CIR and PIR parameters individually, the system will attempt to find the best operational rate depending on the defined constraint. The supported constraints are:

- **Minimum** — Find the hardware supported rate that is equal to or higher than the specified rate
- **Maximum** — Find the hardware supported rate that is equal to or lesser than the specified rate
- **Closest** — Find the hardware supported rate that is closest to the specified rate

Depending on the hardware upon which the queue is provisioned, the actual operational CIR and PIR settings used by the queue will be dependent on the method the hardware uses to implement and represent the mechanisms that enforce the CIR and PIR rates.

As the hardware has a very granular set of rates, the recommended method to determine which hardware the rate is used for a given queue is to configure the queue rates with the associated adaptation rule and use the `show pools` output to display the actual rate achieved.

To illustrate how the adaptation rule constraints **minimum**, **maximum** and **closest** are evaluated in determining the operational CIR or PIR, assume there is a queue on an IOM3-XP where the administrative CIR and PIR values are 401 Mbps and 403 Mbps, respectively.

The following output shows the operating CIR and PIR rates achieved for the different adaptation rule settings:

```
*A:PE# # queue using default adaptation-rule=closest
*A:PE# show qos sap-egress 10 detail | match expression "Queue-Id|CIR Rule"
Queue-Id          : 1                Queue-Type       : auto-expedite
PIR Rule          : closest           CIR Rule         : closest
*A:PE#
```



```

*A:PE# show pools 1/1/1 access-egress service 1 | match expression "PIR|CIR"
Admin PIR      : 403000          Oper PIR      : 403200
Admin CIR      : 401000          Oper CIR      : 401600
*A:PE#
*A:PE# configure qos sap-egress 10 queue 1 adaptation-rule pir max cir max
*A:PE#
*A:PE# show qos sap-egress 10 detail | match expression "Queue-Id|CIR Rule"
Queue-Id      : 1              Queue-Type    : auto-expedite
PIR Rule      : max           CIR Rule      : max
*A:PE#
*A:PE# show pools 1/1/1 access-egress service 1 | match expression "PIR|CIR"
Admin PIR      : 403000          Oper PIR      : 401600
Admin CIR      : 401000          Oper CIR      : 400000
*A:PE#
*A:PE# configure qos sap-egress 10 queue 1 adaptation-rule pir min cir min
*A:PE#
*A:PE# show qos sap-egress 10 detail | match expression "Queue-Id|CIR Rule"
Queue-Id      : 1              Queue-Type    : auto-expedite
PIR Rule      : min           CIR Rule      : min
*A:PE#
*A:PE# show pools 1/1/1 access-egress service 1 | match expression "PIR|CIR"
Admin PIR      : 403000          Oper PIR      : 403200
Admin CIR      : 401000          Oper CIR      : 401600
*A:PE#

```

Committed Burst Size

The committed burst size (CBS) parameters specify the amount of buffers that can be drawn from the reserved buffer portion of the queue's buffer pool. Once the reserved buffers for a given queue have been used, the queue contends with other queues for additional buffer resources up to the maximum burst size.

The CBS is provisioned on ingress and egress service queues within service ingress QoS policies and service egress QoS policies, respectively. The CBS for a queue is specified in Kbytes.

The CBS for network queues are defined within network queue policies based on the forwarding class. The CBS for the queues for the forwarding class are defined as a percentage of buffer space for the pool.

Maximum Burst Size

The maximum burst size (MBS) parameter specifies the maximum queue depth to which a queue can grow. This parameter ensures that a customer that is massively or continuously over-subscribing the PIR of a queue will not consume all the available buffer resources. For high-priority forwarding class service queues, the MBS can be relatively smaller than the other forwarding class queues because the high-priority service packets are scheduled with priority over other service forwarding classes.

The MBS is provisioned on ingress and egress service queues within service ingress QoS policies and service egress QoS policies, respectively. The MBS for a queue is specified in Kbytes.

The MBS for network queues are defined within network queue policies based on the forwarding class. The MBS for the queues for the forwarding class are defined as a percentage of buffer space for the pool.

High Priority Only Buffers

High priority (HP) only buffers are defined on a queue and allow buffers to be reserved for traffic classified as high priority. When the queue depth reaches a specified level, only high-priority traffic can be enqueued. The HP only reservation for a queue is defined as a percentage of the MBS value.

On service ingress, the HP only reservation for a queue is defined in the service ingress QoS policy. High priority traffic is specified in the match criteria for the policy.

On service egress, the HP only reservation for a queue is defined in the service egress QoS policy. Service egress queues are specified by forwarding class. High priority traffic for a given traffic class is traffic that has been marked as in-profile either on ingress classification or based on interpretation of the QoS markings.

The HP only for network queues are defined within network queue policies based on the forwarding class. High priority traffic for a specific traffic class is marked as in-profile either on ingress classification or based on interpretation of the QoS markings.

Hi-Low Priority Only Buffers

Hi-low priority only buffers are defined on a queue and allow buffers to be reserved for traffic classified as high or low priority. When the queue depth reaches a specified level, only high and low priority traffic can be enqueued. The high/low priority only reservation for a queue is defined as a percentage of the MBS value. This is available for service egress and egress queue group queues. The high/low priority traffic for a given traffic class is traffic that has been determined to be in-profile or out-of-profile.

Hi-low priority only buffers exist also for egress network queues in a network queue policy, however, in these policies it is not configurable and has a default of an additional 10% of the MBS value on top of the high priority only.

WRED Per Queue

Egress SAP, subscriber, and network queues by default use drop tails within the queues and WRED slopes applied to the pools in which the queues reside in order to apply congestion control to the traffic in those queues. An alternative to this is to apply the WRED slopes directly to the egress queue using WRED per queue.

WRED per queue is supported for SAP egress QoS policy queues (and therefore to egress SAP and subscriber queues) and for queues within an egress queue group template. There are two modes available:

- Native, which is supported on FP3 queues.
- Pool per queue, which is supported on FP2 and higher based hardware.

Table 3: WRED Per Queue Congestion Control Summary

	In profile traffic	Out profile traffic	Exceed profile traffic	Wred-queue Mode	Slope usage	Comments
FP3 queues	Drop tail (MBS) used	Low slope used	Exceed slope used	native	Exceed-low	If slope shutdown, MBS is used. High-slope not used.
Pool per queue	High slope	Low slope	Exceed slope	pool-per-queue (FP3/FP2)	Default	If slope shutdown, MBS is used.

Queue Parameters

Table 3: WRED Per Queue Congestion Control Summary (Continued)

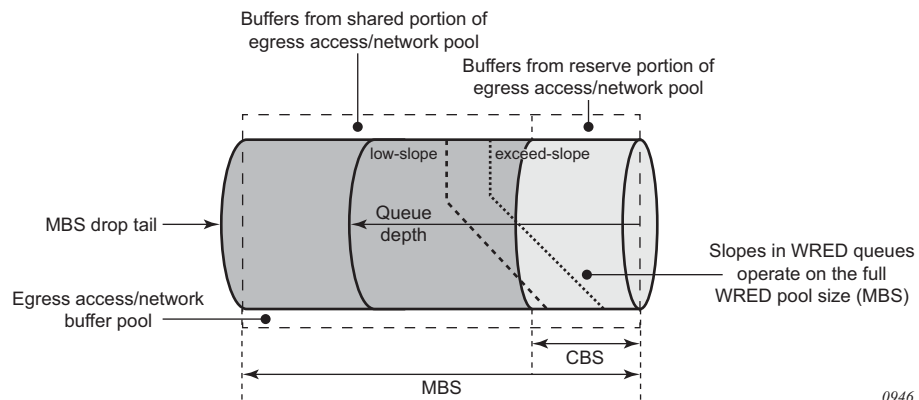
	In profile traffic	Out profile traffic	Exceed profile traffic	Wred-queue Mode	Slope usage	Comments
Pool/megapool/named-pool	High slope	Low slope	Exceed slope	n/a	n/a	If slope shutdown, total pool size is used.

Native Queue Mode

When an egress queue is configured for native mode, it will use the native WRED capabilities of the forwarding plane queue. This is only supported on FP3 hardware.

Congestion control within the queue will use the low and exceed slopes from the applied slope policy together with the MBS drop tail. The queue continues to take buffers from its associated egress access or network buffer pool, on which WRED can also be enabled. This is shown in [Figure 1](#).

Figure 1: WRED queue: native mode



To configure a native WRED queue, the **wred-queue** command is used under **queue** in a SAP egress QoS policy or egress queue group template with the mode set to **native** as follows.

```

qos
queue-group-templates
egress
queue-group <queue-group-name> create
queue <queue-id> create
wred-queue [policy <slope-policy-name>] mode native

```

```

        slope-usage exceed-low
    exit
    exit
    exit
exit
sap-egress <policy-id> create
    queue <queue-id> [<queue-type>] [create]
        wred-queue [policy <slope-policy-name>] mode native
            slope-usage exceed-low
    exit
exit

```

Congestion control is provided by both the slope policy applied to the queue and the MBS tail drop.

The **slope-usage** defines the mapping of the traffic profile to the WRED slope and only **exceed-low** is allowed with a native mode queue. The slope mapping is shown below and requires the low and exceed slopes to be no shutdown in the applied slope policy (otherwise traffic will use the MBS drop tail or a pool slope):

- Out of profile maps to the low slope.
- Exceed profile maps to the exceed slope.

The instantaneous queue depth is used against the slopes when native mode is configured, consequently the time-average-factor within the slope policy is ignored.

The in profile traffic uses the MBS drop tail for congestion control (the high slope is not used with a native mode queue).

If a queue is configured to use native mode WRED per queue on hardware earlier than FP3, the queue operates as a regular queue.

If the following SAP egress QoS policy is applied to SAP on an FP3 with the egress:

```

sap-egress 10 create
    queue 1 create
        wred-queue policy "slope1" mode native
            slope-usage exceed-low
    exit
exit

```

the details of both the pool and queue can then be shown using this command:

```

*A:PE# show pools access-egress 2/1/2 service 1
=====
Pool Information
=====
Port          : 2/1/2
Application   : Acc-Egr          Pool Name      : default

```

Queue Parameters

```

CLI Config. Resv CBS : 30%(default)
Resv CBS Step       : 0%           Resv CBS Max       : 0%
Amber Alarm Threshold: 0%         Red Alarm Threshold : 0%
-----
Queue-Groups
-----
Queue-Group:Instance : policer-output-queues:1
-----
Utilization          State      Start-Avg    Max-Avg      Max-Prob
-----
High-Slope           Down        70%          90%          80%
Low-Slope            Down        50%          75%          80%
Exceed-Slope        Down        30%          55%          80%
Time Avg Factor      : 7
Pool Total           : 74880 KB
Pool Shared          : 51840 KB      Pool Resv         : 23040 KB
-----
Current Resv CBS     Provisioned   Rising        Falling       Alarm
%age                 all Queues   Alarm Thd     Alarm Thd     Color
-----
30%                  0 KB        NA            NA            Green
Pool Total In Use   : 0 KB
Pool Shared In Use  : 0 KB        Pool Resv In Use : 0 KB
WA Shared In Use    : 0 KB
Hi-Slope Drop Prob : 0           Lo-Slope Drop Prob : 0
Excd-Slope Drop Prob : 0
=====
Queue : 1->2/1/2:1->1
=====
FC Map               : be l2 af l1 h2 ef h1 nc
Tap                  : not-applicable
Admin PIR            : 10000000      Oper PIR         : Max
Admin CIR            : 0           Oper CIR         : 0
Admin MBS            : 12240 KB      Oper MBS         : 12240 KB
Hi Prio Only         : not-applicable Hi Low Prio Only : not-applicable
CBS                  : 0 KB          Depth            : 0
Slope                : slope1
WRED Mode            : native        Slope Usage      : exceed-low
-----
High Slope Information
-----
State                : disabled
Start Average        : 0 KB          Max Average       : 0 KB
Max Probability      : 0 %          Curr Probability  : 0 %
-----
Low Slope Information
-----
State                : enabled
Start Average        : 7200 KB      Max Average       : 9120 KB
Max Probability      : 80 %          Curr Probability  : 0 %
-----
Exceed Slope Information
-----
State                : enabled

```

```

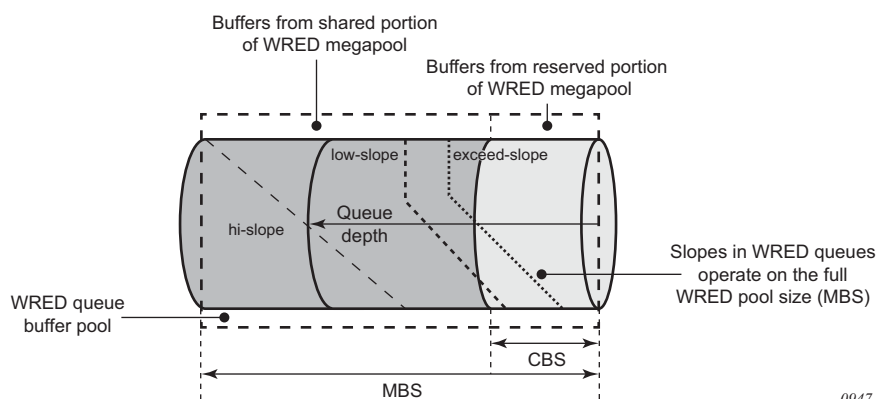
Start Average      : 4680 KB          Max Average       : 6600 KB
Max Probability    : 80 %            Curr Probability   : 0 %
-----
=====
=====
*A:PE#

```

Pool per Queue Mode

When pool per queue mode is used, the queue resides in its own pool which is located in the forwarding plane egress megapool. The size of the pool is the same as the size of the queue (based on the MBS), consequently the WRED slopes operating on the pool's buffer utilization are reacting to the congestion depth of the queue. The size of the reserved CBS portion of the buffer pool is dictated by the queue's CBS parameter. This is shown in [Figure 2](#).

Figure 2: WRED queue: pool-per-queue mode



The queue pools take buffers from the WRED egress megapool which must be enabled per FP; if this megapool is not enabled, the queue operates as a regular queue. By default only the Ingress normal and Egress normal megapools exist on an FP. The Egress WRED megapool is configured using the following commands:

```

configure
card <slot-number>
fp <fp-number>
egress
wred-queue-control
[no] buffer-allocation min <percentage> max
<percentage>
[no] resv-cbs min <percentage> max <percentage>
[no] shutdown
[no] slope-policy <slope-policy-name>

```

Queue Parameters

The buffer allocation determines how much of the Egress normal megapool is allocated for the Egress WRED megapool, with the **resv-cbs** defining the amount of reserved buffers in the Egress WRED megapool. In both cases the **min** and **max** values must be equal. The **slope-policy** defines the WRED slope parameters and the time average factor used on the megapool itself to handle congestion as the megapool buffers are used. The **no shutdown** command enables the megapool. The megapools on card 1 FP 1 can be shown as follows:

```
*A:PE# show megapools 1 fp 1
=====
MegaPool Summary
=====
Type      Id      App.    Pool Name                Actual ResvCBS   PoolSize
Admin ResvCBS
-----
fp        1/1    Egress  normal                    n/a              282624
n/a
fp        1/1    Ingress normal                n/a              374784
n/a
fp        1/1    Egress  wred                       24576            93696
25%
=====
*A:PE#
```

To configure a pool per queue, the **wred-queue** command is used under queue in a SAP egress QoS policy or egress queue group template with the mode set to **pool-per-queue** as follows:

```
qos
  queue-group-templates
    egress
      queue-group <queue-group-name> create
      queue <queue-id> create
        wred-queue [policy <slope-policy-name>] mode pool-
per-queue
          slope-usage default
        exit
      exit
    exit
  sap-egress <policy-id> create
    queue <queue-id> [<queue-type>] [create]
      wred-queue [policy <policy-name>] mode pool-per-queue
      slope-usage default
    exit
  exit
```

Congestion control is provided by the slope policy applied to the queue, with the slopes to be used having been **no shutdown** (otherwise traffic will use the MBS drop tail or a megapool slope). The **slope-usage** defines the mapping of the traffic profile to the WRED slope and only **default** is allowed with **pool-per-queue** which gives the following mapping:

- In profile maps to the high slope.
- Out of profile maps to the low slope.
- Exceed profile maps to the exceed slope.

If the following SAP egress QoS policy is applied to SAP on an FP with the egress WRED megapool enabled:

```

sap-egress 10 create
  queue 1 create
    wred-queue policy "slope1" mode pool-per-queue
    slope-usage default
  exit
exit

```

the details of both the megapool and queue pool usages can then be shown using this command (detailed version):

```

*A:PE# show megapools 2 fp 1 wred service-id 1 detail
=====
MegaPool Information
=====
Slot                : 2
Application         : Egress           Pool Name          : wred
Resv CBS           : 25%
-----
Utilization          State      Start-Avg    Max-Avg    Max-Prob
-----
High-Slope          Down      70%          90%        80%
Low-Slope           Down      50%          75%        80%
Exceed-Slope        Down      30%          55%        80%
Time Avg Factor     : 7
Pool Total          : 476160 KB
Pool Shared         : 353280 KB           Pool Resv          : 122880 KB
Pool Total In Use   : 0 KB
Pool Shared In Use  : 0 KB           Pool Resv In Use   : 0 KB
WA Shared In Use    : 0 KB

Hi-Slope Drop Prob : 0           Lo-Slope Drop Prob : 0
Excd-Slope Drop Prob : 0
=====
Queue : 1->2/1/2:1->1
=====
FC Map              : be l2 af l1 h2 ef h1 nc
Admin PIR           : 10000000          Oper PIR           : Max
Admin CIR           : 0              Oper CIR           : 0
Admin MBS           : 12240 KB          Oper MBS           : 12240 KB
Hi Prio Only        : not-applicable    Hi Low Prio Only   : not-applicable
CBS                 : 0 KB              Depth              : 0
Slope               : slope1
WRED Mode           : pool-per-queue    Slope Usage        : default
Time Avg Factor     : 7
-----
High Slope Information
-----

```

Queue Parameters

```
State          : enabled
Start Average  : 8880 KB
Max Probability : 80 %
Max Average    : 10800 KB
Curr Probability : 0 %
-----

Low Slope Information
-----
State          : enabled
Start Average  : 7200 KB
Max Probability : 80 %
Max Average    : 9120 KB
Curr Probability : 0 %
-----

Exceed Slope Information
-----
State          : enabled
Start Average  : 4800 KB
Max Probability : 80 %
Max Average    : 6720 KB
Curr Probability : 0 %
-----

Pool Information
-----
Pool Total Allowed : 12240 KB
Pool Shared Allowed : 12240 KB
High Slope Start Avg : 8880 KB
Low Slope Start Avg : 7200 KB
Excd Slope Start Avg : 4800 KB
Pool Total In Use : 0 KB
From MegaPool Shared : 0 KB
WA Pool In Use : 0 KB
Pool Resv : 0 KB
High slope Max Avg : 10800 KB
Low slope Max Avg : 9120 KB
Excd slope Max Avg : 6720 KB
From MegaPool Resv : 0 KB

Hi-Slope Drop Prob : 0
Excd-Slope Drop Prob : 0
Lo-Slope Drop Prob : 0
-----
=====
=====
*A:PE#
```

Each WRED **pool-per-queue** uses a WRED pool resource on the FP. The resource usage can be seen in the **tools dump resource-usage card [slot-num] fp [fp-number]** output under Dynamic Q2 WRED Pools.

Packet Markings

Typically, customer markings placed on packets are not treated as trusted from an in-profile or out-of-profile perspective. This allows the use of the ingress buffering to absorb bursts over PIR from a customer and only perform marking as packets are scheduled out of the queue (as opposed to using a hard policing function that operates on the received rate from the customer). The resulting profile (in or out) based on ingress scheduling into the switch fabric is used by network egress for tunnel marking and egress congestion management.

The high/low priority feature allows a provider to offer a customer the ability to have some packets treated with a higher priority when buffered to the ingress queue. If the queue is configured with a hi-prio-only setting (setting the high priority MBS threshold higher than the queue's low priority MBS threshold) a portion of the ingress queue's allowed buffers are reserved for high priority traffic. An access ingress packet must hit an ingress QoS action in order for the ingress forwarding plane to treat the packet as high priority (the default is low priority).

If the packet's ingress queue is above the low priority MBS, the packet will be discarded unless it has been classified as high priority. The priority of the packet is not retained after the packet is placed into the ingress queue. Once the packet is scheduled out of the ingress queue, the packet will be considered in-profile or out-of-profile based on the dynamic rate of the queue relative to the queue's CIR parameter.

If an ingress queue is not configured with a hi-prio-only parameter, the low priority and high priority MBS thresholds will be the same. There will be no difference in high priority and low priority packet handling. At access ingress, the priority of a packet has no effect on which packets are scheduled first. Only the first buffering decision is affected. At ingress and egress, the current dynamic rate of the queue relative to the queue's CIR does affect the scheduling priority between queues going to the same destination (either the switch fabric tap or egress port). The strict operating priority for queues are (from highest to lowest):

- Expedited queues within the CIR (conform)
- Best Effort queues within the CIR (conform)
- Expedited and Best Effort queues above the CIR (exceed)

For access ingress, the CIR controls both dynamic scheduling priority and marking threshold. At network ingress, the queue's CIR affects the scheduling priority but does not provide a profile marking function (as the network ingress policy trusts the received marking of the packet based on the network QoS policy).

At egress, the profile of a packet is only important for egress queue buffering decisions and egress marking decisions, not for scheduling priority. The egress queue's CIR determines the dynamic scheduling priority, but does not affect the packet's ingress determined profile.

Queue Counters

The router maintains counters for queues within the system for granular billing and accounting. Each queue maintains the following counters:

- Counters for packets and octets accepted into the queue
- Counters for packets and octets rejected at the queue
- Counters for packets and octets transmitted in-profile

Queue Parameters

- Counters for packets and octets transmitted out-of-profile

Queue-Types

The **expedite**, **best-effort** and **auto-expedite** queue types are mutually exclusive to each other. Each defines the method that the system uses to service the queue from a hardware perspective. While parental virtual schedulers can be defined for the queue, they only enforce how the queue interacts for bandwidth with other queues associated with the same scheduler hierarchy. An internal mechanism that provides access rules when the queue is vying for bandwidth with queues in other virtual schedulers is also needed.

Color Aware Profiling

The normal handling of SAP ingress access packets applies an in-profile or out-of-profile state to each packet relative to the dynamic rate of the queue as the packet is forwarded towards the egress side of the system. When the queue rate is within or equal to the configured CIR, the packet is considered in-profile. When the queue rate is above the CIR, the packet is considered out-of-profile. (This applies when the packet is scheduled out of the queue, not when the packet is buffered into the queue.) Egress queues use the profile marking of packets to preferentially buffer in-profile packets during congestion events. Once a packet has been marked in-profile or out-of-profile by the ingress access SLA enforcement, the packet is tagged with an in-profile or out-of-profile marking allowing congestion management in subsequent hops towards the packet's ultimate destination. Each hop to the destination must have an ingress table that determines the in-profile or out-of-profile nature of a packet based on its QoS markings.

Color aware profiling adds the ability to selectively treat packets received on a SAP as in-profile or out-of-profile regardless of the queue forwarding rate. This allows a customer or access device to color a packet out-of-profile with the intention of preserving in-profile bandwidth for higher priority packets. The customer or access device may also color the packet in-profile, but this is rarely done as the original packets are usually already marked with the in-profile marking.

Each ingress access forwarding class may have one or multiple sub-class associations for SAP ingress classification purposes. Each sub-class retains the chassis wide behavior defined to the parent class while providing expanded ingress QoS classification actions. Sub-classes are created to provide a match association that enforces actions different than the parent forwarding class. These actions include explicit ingress remarking decisions and color aware functions.

All non-profiled and profiled packets are forwarded through the same ingress access queue to prevent out-of-sequence forwarding. Profiled packets in-profile are counted against the total packets flowing through the queue that are marked in-profile. This reduces the amount of CIR available to non-profiled packets causing fewer to be marked in-profile. Profiled packets out-of-profile are counted against the total packets flowing through the queue that are marked in-profile. This ensures that the amount of non-profiled packets marked out-of-profile is not affected by the profiled out-of-profile packet rate.

QoS Policies

Service ingress, service egress, and network QoS policies are defined with a scope of either template or exclusive. Template policies can be applied to multiple SAPs or IP interfaces, whereas, exclusive policies can only be applied to a single entity.

On most systems, the number of configurable SAP ingress and egress QoS policies per system is larger than the maximum number that can be applied per FP. The **tools dump resource-usage card fp** output displays the actual number of policies applied on a given FP (noting that the default SAP ingress policy is always applied once for internal use). The **tools dump resource-usage system** output displays the usage of the policies at a system level. The **show qos sap-ingress** and **show qos sap-egress** commands can be used to show the number of policies configured.

One service ingress QoS policy and one service egress QoS policy can be applied to a specific SAP. One network QoS policy can be applied to a specific IP interface. A network QoS policy defines both ingress and egress behavior.

Router QoS policies are applied on service ingress, service egress, and network interfaces and define:

Classification rules for how traffic is mapped to queues

- The number of forwarding class queues
- The queue parameters used for policing, shaping, and buffer allocation
- QoS marking/interpretation

The router supports thousands of queues. The exact numbers depend on the hardware being deployed.

There are several types of QoS policies:

- Service ingress
- Service egress
- Network (for ingress and egress)

QoS Policies

- Network queue (for ingress and egress)
- ATM traffic descriptor profile
- Scheduler
- Shared queue
- Slope

Service ingress QoS policies are applied to the customer-facing Service Access Points (SAPs) and map traffic to forwarding class queues on ingress. The mapping of traffic to queues can be based on combinations of customer QoS marking (IEEE 802.1p bits, DSCP, and TOS precedence), IP and MAC criteria. The characteristics of the forwarding class queues are defined within the policy as to the number of forwarding class queues for unicast traffic and the queue characteristics. There can be up to eight (8) unicast forwarding class queues in the policy; one for each forwarding class. A service ingress QoS policy also defines up to three (3) queues per forwarding class to be used for multipoint traffic for multipoint services. In the case of the VPLS, four types of forwarding are supported (which is not to be confused with forwarding classes); unicast, multicast, broadcast, and unknown. Multicast, broadcast, and unknown types are flooded to all destinations within the service while the unicast forwarding type is handled in a point-to-point fashion within the service.

Service egress QoS policies are applied to SAPs and map forwarding classes to service egress queues for a service. Up to 8 queues per service can be defined for the 8 forwarding classes. A service egress QoS policy also defines how to remark the forwarding class to IEEE 802.1p bits in the customer traffic.

Network QoS policies are applied to IP interfaces. On ingress, the policy applied to an IP interface maps incoming DSCP and EXP values to forwarding class and profile state for the traffic received from the core network. On egress, the policy maps forwarding class and profile state to DSCP and EXP values for traffic to be transmitted into the core network.

Network queue policies are applied on egress to network ports and channels and on ingress to XMA or MDAs. The policies define the forwarding class queue characteristics for these entities.

Service ingress, service egress, and network QoS policies are defined with a scope of either *template* or *exclusive*. Template policies can be applied to multiple SAPs or IP interfaces whereas exclusive policies can only be applied to a single entity.

One service ingress QoS policy and one service egress QoS policy can be applied to a specific SAP. One network QoS policy can be applied to a specific IP interface. A network QoS policy defines both ingress and egress behavior.

If no QoS policy is explicitly applied to a SAP or IP interface, a default QoS policy is applied.

A summary of the major functions performed by the QoS policies is listed in [Table 4](#).

Table 4: QoS Policy Types and Descriptions

Policy Type	Applied at...	Description	Page
Service Ingress	SAP ingress	<ul style="list-style-type: none"> Defines up to 32 forwarding class queues and queue parameters for traffic classification Defines up to 31 multipoint service queues for broadcast, multicast and destination unknown traffic in multipoint services Defines match criteria to map flows to the queues based on combinations of customer QoS (IEEE 802.1p/DE bits, DSCP, TOS Precedence), IP criteria or MAC criteria 	Service Ingress QoS Policies
Service Egress	SAP egress	<ul style="list-style-type: none"> Defines up to 8 forwarding class queues and queue parameters for traffic classification Maps one or more forwarding classes to the queues 	Service Egress QoS Policies
Network	Router interface	<ul style="list-style-type: none"> Used for classification/marketing of IP and MPLS packets At ingress, defines DSCP, Dot1p MPLS LSP-EXP and IP criteria classification to FC mapping At ingress, defines FC to policer/queue-group queue mapping At egress, defines DSCP or prec FC mapping At egress, defines FC to policer/queue-group queue mapping At egress, defines DSCP, MPLS LSP-EXP and Dot1p/DE marking 	Network QoS Policies
Network Queue	Network ingress MDA and egress port	<ul style="list-style-type: none"> Defines forwarding class mappings to network queues and queue characteristics for the queues 	Network Queue QoS Policies
Slope	Ports	<ul style="list-style-type: none"> Enables or disables the WRED slope parameters within an egress queue, an ingress pool, or an egress megapool 	Slope Policy Parameters

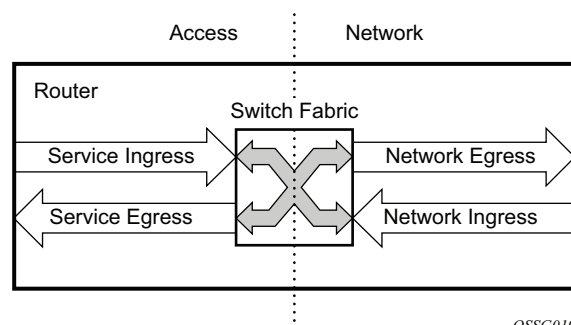
Table 4: QoS Policy Types and Descriptions (Continued)

Policy Type	Applied at...	Description	Page
Scheduler	Customer multi-service site Service SAP	<ul style="list-style-type: none"> Defines the hierarchy and parameters for each scheduler Defined in the context of a tier which is used to place the scheduler within the hierarchy Three tiers of virtual schedulers are supported 	Scheduler Policies
Shared Queue	SAP ingress	<ul style="list-style-type: none"> Shared-queues can be implemented to mitigate the queue consumption on an MDA 	Shared Queues
ATM Traffic Descriptor Profile	SAP ingress	<ul style="list-style-type: none"> Defines the expected rates and characteristics of traffic. Specified traffic parameters are used for policing ATM cells and for selecting the service category for the per-VC queue 	ATM Traffic Descriptor Profiles
ATM Traffic Descriptor Profile	SAP egress	<ul style="list-style-type: none"> Specified traffic parameters are used for scheduling and shaping ATM cells and for selecting the service category for the per-VC queue 	ATM Traffic Descriptor Profiles

Service versus Network QoS

The QoS mechanisms within the routers are specialized for the type of traffic on the interface. For customer interfaces, there is service ingress and egress traffic, and for network core interfaces, there is network ingress and network egress traffic, as shown in [Figure 3](#).

Figure 3: Service vs Network Traffic Types



OSSG019

The router uses QoS policies applied to a SAP for a service or to a network MDA/port to define the queuing, queue attributes, and QoS marking/interpretation.

The router supports four types of service and network QoS policies:

- Service ingress QoS policies
- Service egress QoS policies
- Network QoS policies
- Network Queue QoS policies

QoS Policy Entities

Services are configured with default QoS policies. Additional policies must be explicitly created and associated. There is one default service ingress QoS policy, one default service egress QoS policy, and one default network QoS policy. Only one ingress QoS policy and one egress QoS policy can be applied to a SAP or network port.

When you create a new QoS policy, default values are provided for most parameters with the exception of the policy ID and queue ID values, descriptions, and the default action queue assignment. Each policy has a scope, default action, a description, and **at least** one queue. The queue is associated with a forwarding class.

Service QoS policies can be applied to the following service types:

- Epipe — Both ingress and egress policies are supported on an Epipe service access point (SAP).
- VPLS — Both ingress and egress policies are supported on a VPLS SAP.
- IES — Both ingress and egress policies are supported on an IES SAP.
- VPRN — Both ingress and egress policies are supported on a VPRN SAP.

Network QoS policies can be applied to the following entities:

- Network interfaces
- Apipe/cpipe/epipe/ipipe/fpipe and VPLS spoke SDPs
- VPLS spoke and mesh SDPs
- IES and VPRN Interface spoke SDPs
- VPRN network ingress
- VXLAN network ingress

Network QoS policies can be applied to:

- Ingress MDAs
- Egress ports

Default QoS policies maps all traffic with equal priority and allow an equal chance of transmission (Best Effort (be) forwarding class) and an equal chance of being dropped during periods of congestion. QoS prioritizes traffic according to the forwarding class and uses congestion management to control access ingress, access egress, and network traffic with queuing according to priority

Network QoS Policies

Network QoS policies define egress QoS marking and ingress QoS interpretation for traffic on core network IP interfaces. The router automatically creates egress queues for each of the forwarding classes on network IP interfaces.

A network QoS policy defines both the ingress and egress handling of QoS on the IP interface. The following functions are defined.

- Ingress
 - Defines DSCP, Dot1p, and IP criteria mappings to forwarding classes
 - Defines LSP EXP value mappings to forwarding classes
- Egress
 - Defines DSCP and prec mappings to forwarding classes
 - Defines the forwarding class to DSCP value markings
 - Defines the forwarding class to Dot1p/DE value markings
 - Defines forwarding class to LSP EXP value markings
 - Enables/disables remarking of QoS
 - Defines FC to policer/queue-group queue mapping

The required elements to be defined in a network QoS policy are:

- A unique network QoS policy ID
- Egress forwarding class to DSCP value mappings for each forwarding class
- Egress forwarding class to Dot1p value mappings for each forwarding class
- Egress forwarding class to LSP EXP value mappings for each forwarding class
- Enabling/disabling of egress QoS remarking
- A default ingress forwarding class and in-profile/out-of-profile state

Optional network QoS policy elements include:

- DSCP name to forwarding class and profile state mappings for all DSCP values received

- LSP EXP value to forwarding class and profile state mappings for all EXP values received
- Ingress FC fp-redirect-group policer mapping
- Egress FC port-redirect-group queue/policer mapping

Network policy ID 1 is reserved as the default network QoS policy. The default policy cannot be deleted or changed.

The default network QoS policy is applied to all network interfaces which do not have another network QoS policy explicitly assigned.

Table 5: Default Network QoS Policy Egress Marking

FC-ID	FC Name	FC Label	DiffServ Name	Egress DSCP Marking		Egress LSP EXP Marking	
				In-Profile Name	Out-of-Profile Name	In-Profile	Out-of-Profile
7	Network Control	nc	NC2	nc2 111000 - 56	nc2 111000 - 56	111 - 7	111 - 7
6	High-1	h1	NC1	nc1 110000 - 48	nc1 110000 - 48	110 - 6	110 - 6
5	Expedited	ef	EF	ef 101110 - 46	ef 101110 - 46	101 - 5	101 - 5
4	High-2	h2	AF4	af41 100010 - 34	af42 100100 - 36	100 - 4	100 - 4
3	Low-1	l1	AF2	af21 010010 - 18	af22 010100 - 20	011 - 3	010 - 2
2	Assured	af	AF1	af11 001010 - 10	af12 001100 - 12	011 - 3	010 - 2
1	Low-2	l2	CS1	cs1 001000 - 8	cs1 001000 - 8	001 - 1	001 - 1
0	Best Effort	be	BE	be 000000 - 0	be 000000 - 0	000 - 0	000 - 0

For network ingress, [Table 6](#) and [Table 7](#) list the default mapping of DSCP name and LSP EXP values to forwarding class and profile state for the default network QoS policy.

Table 6: Default Network QoS Policy DSCP to Forwarding Class Mappings

Ingress DSCP		Forwarding Class			
dscp-name	dscp-value (binary - decimal)	FC ID	Name	Label	Profile State
Default		0	Best-Effort	be	Out
ef	101110 - 46	5	Expedited	ef	In
nc1	110000 - 48	6	High-1	h1	In
nc2	111000 - 56	7	Network Control	nc	In
af11	001010 - 10	2	Assured	af	In
af12	001100 - 12	2	Assured	af	Out
af13	001110 - 14	2	Assured	af	Out
af21	010010 - 18	3	Low-1	l1	In
af22	010100 - 20	3	Low-1	l1	Out
af23	010110 - 22	3	Low-1	l1	Out
af31	011010 - 26	3	Low-1	l1	In
af32	011100 - 28	3	Low-1	l1	Out
af33	011110 - 30	3	Low-1	l1	Out
af41	100010 - 34	4	High-2	h2	In
af42	100100 - 36	4	High-2	h2	Out
af43	100110 - 38	4	High-2	h2	Out

Network Queue QoS Policies

Network queue policies define the network forwarding class queue characteristics. Network queue policies are applied on egress on core network ports or channels and on ingress on MDAs. Network queue policies can be configured to use as many queues as needed. This means that the number of queues can vary. Not all policies will use eight queues like the default network queue policy.

The queue characteristics that can be configured on a per-forwarding class basis are:

- Committed Buffer Size (CBS) as a percentage of the buffer pool

- Maximum Buffer Size (MBS) as a percentage of the buffer pool
- High Priority Only Buffers as a percentage of MBS
- Peak Information Rate (PIR) as a percentage of egress port bandwidth
- Committed Information Rate (CIR) as a percentage of egress port bandwidth

Network queue policies are identified with a unique policy name which conforms to the standard router alphanumeric naming conventions.

The system default network queue policy is named **default** and cannot be edited or deleted. [Table 7](#) describes the default network queue policy definition.

Table 7: Default Network Queue Policy Definition

Forwarding Class	Queue	Definition
Network-Control (nc)	Queue 8	<ul style="list-style-type: none"> • PIR = 100% • CIR = 10% • MBS = 25% • CBS = 3% • High-Prio-Only = 10%
High-1 (h1)	Queue 7	<ul style="list-style-type: none"> • PIR = 100% • CIR = 10% • MBS = 25% • CBS = 3% • High-Prio-Only = 10%
Expedited (ef)	Queue 6	<ul style="list-style-type: none"> • PIR = 100% • CIR = 100% • MBS = 50% • CBS = 10% • High-Prio-Only = 10%

Table 7: Default Network Queue Policy Definition (Continued)

Forwarding Class	Queue	Definition (Continued)
High-2 (h2)	Queue 5	<ul style="list-style-type: none"> • PIR = 100% • CIR = 100% • MBS = 50% • CBS = 10% • High-Prio-Only = 10%
Low-1 (l1)	Queue 4	<ul style="list-style-type: none"> • PIR = 100% • CIR = 25% • MBS = 25% • CBS = 3% • High-Prio-Only = 10%
Assured (af)	Queue 3	<ul style="list-style-type: none"> • PIR = 100% • CIR = 25% • MBS = 50% • CBS = 10% • High-Prio-Only = 10%
Low-2 (l2)	Queue 2	<ul style="list-style-type: none"> • PIR = 100% • CIR = 25% • MBS = 50% • CBS = 3% • High-Prio-Only = 10%
Best-Effort (be)	Queue 1	<ul style="list-style-type: none"> • PIR = 100% • CIR = 0% • MBS = 50% • CBS = 1% • High-Prio-Only = 10%

Service Ingress QoS Policies

Service ingress QoS policies define ingress service forwarding class queues and map flows to those queues. When a service ingress QoS policy is created by default, it always has two queues defined that cannot be deleted: one for the default unicast traffic and one for the default multipoint traffic. These queues exist within the definition of the policy. The queues only get instantiated in hardware when the policy is applied to a SAP. In the case where the service does not have multipoint traffic, the multipoint queues will not be instantiated.

In the simplest service ingress QoS policy, all traffic is treated as a single flow and mapped to a single queue, and all flooded traffic is treated with a single multipoint queue. The required elements to define a service ingress QoS policy are:

- A unique service ingress QoS policy ID
- A QoS policy scope of template or exclusive
- At least one default unicast forwarding class queue. The parameters that can be configured for a queue are discussed in [Queue Parameters](#)
- At least one multipoint forwarding class queue

Optional service ingress QoS policy elements include:

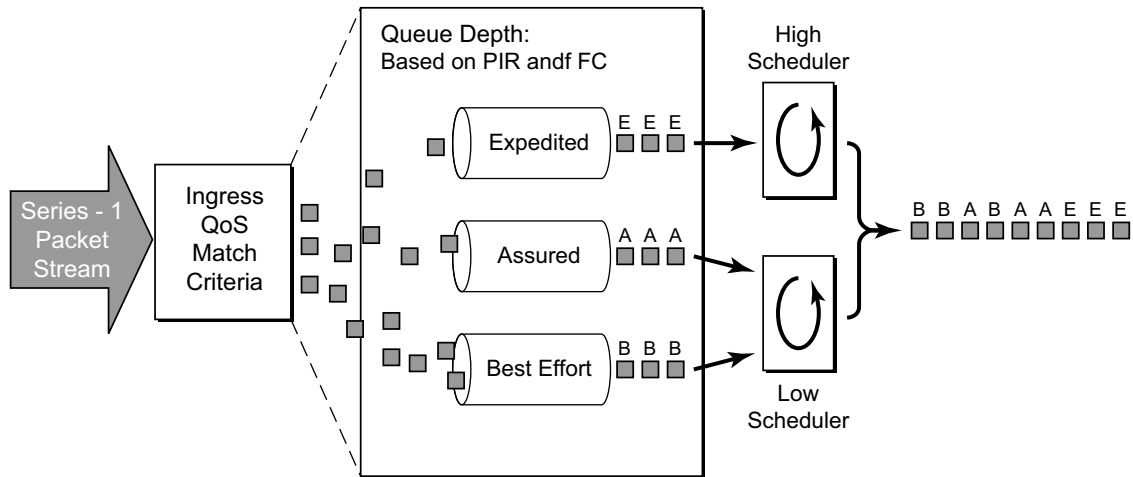
- Additional unicast queues up to a total of 31
- Additional multipoint queues up to 31
- QoS policy match criteria to map packets to a forwarding class

To facilitate more forwarding classes, sub-classes are now supported. Each forwarding class can have one or multiple sub-class associations for SAP ingress classification purposes. Each sub-class retains the chassis wide behavior defined to the parent class while providing expanded ingress QoS classification actions.

There can now be up to 64 classes and subclasses combined in a sap-ingress policy. With the extra 56 values, the size of the forwarding class space is more than sufficient to handle the various combinations of actions.

Forwarding class expansion is accomplished through the explicit definition of sub-forwarding classes within the SAP ingress QoS policy. The CLI mechanism that creates forwarding class associations within the SAP ingress policy is also used to create sub-classes. A portion of the sub-class definition directly ties the sub-class to a parent, chassis wide forwarding class. The sub-class is only used as a SAP ingress QoS classification tool, the sub-class association is lost once ingress QoS processing is finished.

Figure 4: Traffic Queuing Model for 3 Queues and 3 Classes



OSSG236

When configured with this option, the forwarding class and drop priority of incoming traffic will be determined by the mapping result of the EXP bits in the top label. Table 8 displays the new classification hierarchy based on rule type.:

Table 8: Forwarding Class and Enqueuing Priority Classification Hierarchy Based on Rule Type

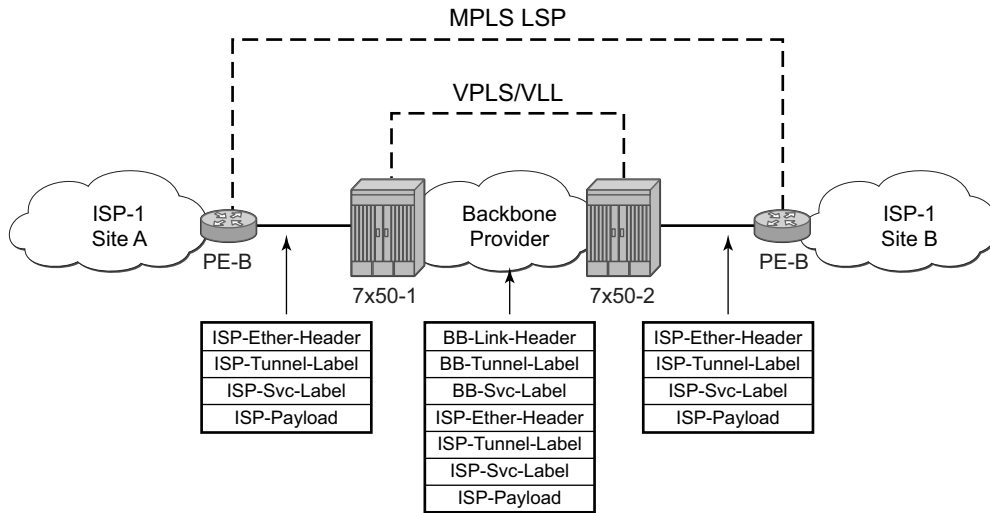
#	Rule	Forwarding Class	Enqueuing Priority	Comments
1	default-fc	Set the policy's default forwarding class.	Set to policy default	All packets match the default rule.
2	dot1p dot1p-value	Set when an fc-name exists in the policy. Otherwise, preserve from the previous match.	Set when the priority parameter is high or low. Otherwise, preserve from the previous match.	Each dot1p-value must be explicitly defined. Each packet can only match a single dot1p rule.
3	lsp-exp exp-value	Set when an fc-name exists in the policy. Otherwise, preserve from the previous match.	Set when the priority parameter is high or low. Otherwise, preserve from the previous match.	* Each exp-value must be explicitly defined. Each packet can only match a single lsp-exp rule. * This rule can only be applied on Ethernet L2 SAP

Table 8: Forwarding Class and Enqueuing Priority Classification Hierarchy Based on Rule Type

#	Rule	Forwarding Class	Enqueuing Priority	Comments
4	prec ip-prec-value	Set when an fc-name exists in the policy. Otherwise, preserve from the previous match.	Set when the priority parameter is high or low. Otherwise, preserve from the previous match	Each ip-prec-value must be explicitly defined. Each packet can only match a single prec rule.
5	dscp dscp-name	Set when an fc-name exists in the policy. Otherwise, preserve from the previous match.	Set when the priority parameter is high or low in the entry. Otherwise, preserve from the previous match.	Each dscp-name that defines the DSCP value must be explicitly defined. Each packet can only match a single DSCP rule.
6	IP criteria: Multiple entries per policy Multiple criteria per entry	Set when an fc-name exists in the entry's action. Otherwise, preserve from the previous match.	Set when the priority parameter is high or low in the entry action. Otherwise, preserve from the previous match.	When IP criteria is specified, entries are matched based on ascending order until first match and then processing stops. A packet can only match a single IP criteria entry.
7	MAC criteria: Multiple entries per policy Multiple criteria per entry	Set when an fc-name exists in the entry's action. Otherwise, preserve from the previous match.	Set when the priority parameter is specified as high or low in the entry action. Otherwise, preserve from the previous match.	When MAC criteria is specified, entries are matched based on ascending order until first match and then processing stops. A packet can only match a single MAC criteria entry.

FC Mapping Based on EXP Bits at VLL/VPLS SAP

Figure 5: Example Configuration — Carrier’s Carrier Application



OSSG257

To accommodate backbone ISPs who want to provide VPLS/VLL to small ISPs as a site-to-site inter-connection service, small ISP routers can connect to Ethernet Layer 2 SAPs. The traffic will be encapsulated in a VLL/VPLS SDP. These small ISP routers are typically PE router. In order to provide appropriate QoS, the SR-Series router support a new classification option that based on received MPLS EXP bits.

The **lsp-exp** command is will be supported in sap-ingress qos policy. This option can only be applied on Ethernet Layer 2 SAPs.

Table 9: Forwarding Class Classification Based on Rule Type

#	Rule	Forwarding Class	Comments
1	default-fc	Set the policy’s default forwarding class.	All packets match the default rule.
2	IP criteria: <ul style="list-style-type: none"> Multiple entries per policy Multiple criteria per entry 	Set when an <i>fc-name</i> exists in the entry’s action. Otherwise, preserve from the previous match.	When IP criteria is specified, entries are matched based on ascending order until first match and then processing stops. A packet can only match a single IP criteria entry.

Table 9: Forwarding Class Classification Based on Rule Type (Continued)

#	Rule	Forwarding Class	Comments
3	MAC criteria: <ul style="list-style-type: none"> • Multiple entries per policy • Multiple criteria per entry 	Set when an <i>fc-name</i> exists in the entry's action. Otherwise, preserve from the previous match.	When MAC criteria is specified, entries are matched based on ascending order until first match and then processing stops. A packet can only match a single MAC criteria entry.

The enqueueing priority is specified as part of the classification rule and is set to “high” or “low”. The enqueueing priority relates to the forwarding class queue’s High-Priority-Only allocation where only packets with a high enqueueing priority are accepted into the queue once the queue’s depth reaches the defined threshold. (See [High Priority Only Buffers](#).)

The mapping of IEEE 802.1p bits, IP Precedence and DSCP values to forwarding classes is optional as is specifying IP and MAC criteria.

The IP and MAC match criteria can be very basic or quite detailed. IP and MAC match criteria are constructed from policy entries. An entry is identified by a unique, numerical entry ID. A single entry cannot contain more than one match value for each match criteria. Each match entry has a queuing action which specifies: the forwarding class of packets that match the entry.

- The forwarding class of packets that match the entry
- The enqueueing priority (high or low) for matching packets

The entries are evaluated in numerical order based on the entry ID from the lowest to highest ID value. The first entry that matches all match criteria has its action performed.

The supported service ingress QoS policy IP match criteria are:

- Destination IP address/prefix
- Destination port/range
- IP fragment
- Protocol type (TCP, UDP, etc.)
- Source port/range
- Source IP address/prefix
- DSCP value

The supported service ingress QoS policy MAC match criteria are:

- IEEE 802.2 LLC SSAP value/mask

QoS Policies

- IEEE 802.2 LLC DSAP value/mask
- IEEE 802.3 LLC SNAP OUI zero or non-zero value
- IEEE 802.3 LLC SNAP PID value
- IEEE 802.1p value/mask
- Source MAC address/mask
- Destination MAC address/mask
- EtherType value

The MAC match criteria that can be used for an Ethernet frame depends on the frame's format. See [Table 10](#).

Table 10: MAC Match Ethernet Frame Types

Frame Format	Description
802dot3	IEEE 802.3 Ethernet frame. Only the source MAC, destination MAC and IEEE 802.1p value are compared for match criteria.
802dot2-llc	IEEE 802.3 Ethernet frame with an 802.2 LLC header.
802dot2-snap	IEEE 802.2 Ethernet frame with 802.2 SNAP header.
Ethernet-II	Ethernet type II frame where the 802.3 length field is used as an Ethernet type (Etype) value. Etype values are two byte values greater than 0x5FF (1535 decimal).

The 802dot3 frame format matches across all Ethernet frame formats where only the source MAC, destination MAC and IEEE 802.1p value are compared. The other Ethernet frame types match those field values in addition to fields specific to the frame format. [Table 11](#) lists the criteria that can be matched for the various MAC frame types.

Table 11: MAC Match Criteria Frame Type Dependencies

Frame Format	Source MAC	Dest MAC	IEEE 802.1p Value	Etype Value	LLC Header SSAP/DSAP Value/Mask	SNAP-OUI Zero/Non-zero Value	SNAP-PID Value
802dot3	Yes	Yes	Yes	No	No	No	No
802dot2-llc	Yes	Yes	Yes	No	Yes	No	No
802dot2-snap	Yes	Yes	Yes	No	No ¹	Yes	Yes
ethernet-II	Yes	Yes	Yes	Yes	No	No	No

Note:

1. When a SNAP header is present, the LLC header is always set to AA-AA

Service ingress QoS policy ID 1 is reserved for the default service ingress policy. The default policy cannot be deleted or changed.

The default service ingress policy is implicitly applied to all SAPs which do not explicitly have another service ingress policy assigned. The characteristics of the default policy are listed in [Table 12](#).

Table 12: Default Service Ingress Policy ID 1 Definition

Characteristic	Item	Definition
Queues	Queue 1	1 (one) queue all unicast traffic: <ul style="list-style-type: none"> • Forward Class: best-effort (be) • CIR = 0 • PIR = max (line rate) • MBS, CBS and HP Only = default (values derived from applicable policy)
	Queue 11	1 (one) queue for all multipoint traffic: <ul style="list-style-type: none"> • CIR = 0 • PIR = max (line rate) • MBS, CBS and HP Only = default (values derived from applicable policy)
Flows	Default Forwarding Class	1 (one) flow defined for all traffic: <ul style="list-style-type: none"> • All traffic mapped to best-effort (be) with a low priority

Egress Forwarding Class Override

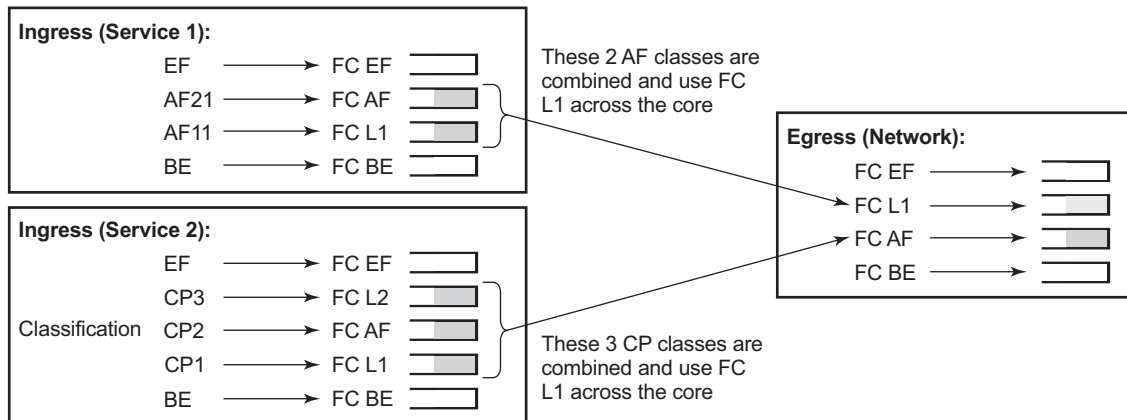
Egress forwarding class override provides additional QoS flexibility by allowing the use of a different forwarding class at egress than was used at ingress.

The ingress QoS processing classifies traffic into a forwarding class (or sub-class) and by default the same forwarding class is used for this traffic at the access or network egress. The ingress forwarding class or sub-class can be overridden so that the traffic uses a different forwarding class at the egress. This can be configured for the main forwarding classes and for sub-classes, allowing each to use a different forwarding class at the egress.

The buffering, queuing, policing and remarking operation at the ingress and egress remain unchanged. Egress reclassification is possible. The profile processing is completely unaffected by overriding the forwarding class.

When used in conjunction with QPPB (QoS Policy Propagation Using BGP), a QPPB assigned forwarding class takes precedence over both the normal ingress forwarding class classification rules and any egress forwarding class overrides.

Figure 6: Egress Forwarding Class Override



al_0187

Figure 6 shows the ingress service 1 using forwarding classes AF and L1 that are overridden to L1 for the network egress, while it also shows ingress service 2 using forwarding classes L1, AF, and L2 that are overridden to AF for the network egress.

Service Egress QoS Policies

Service egress queues are implemented at the transition from the service core network to the service access network. The advantages of per-service queuing before transmission into the access network are:

- Per-service egress subrate capabilities especially for multipoint services
- More granular, fairer scheduling per-service into the access network
- Per-service statistics for forwarded and discarded service packets

The subrate capabilities and per-service scheduling control are required to make multiple services per physical port possible. Without egress shaping, it is impossible to support more than one service per port. There is no way to prevent service traffic from bursting to the available port bandwidth and starving other services.

For accounting purposes, per-service statistics can be logged. When statistics from service ingress queues are compared with service egress queues, the ability to conform to per-service QoS requirements within the service core can be measured. The service core statistics are a major asset to core provisioning tools.

Service egress QoS policies define egress queues and map forwarding class flows to queues. In the simplest service egress QoS policy, all forwarding classes are treated like a single flow and mapped to a single queue. To define a basic egress QoS policy, the following are required:

- A unique service egress QoS policy ID
- A QoS policy scope of template or exclusive
- At least one defined default queue

Optional service egress QoS policy elements include:

- Additional queues up to a total of 8 separate queues (unicast)
- Dot1p/DE, DSCP and prec remarking based on forwarding class

Each queue in a policy is associated with one of the forwarding classes. Each queue can have its individual queue parameters allowing individual rate shaping of the forwarding class(es) mapped to the queue.

More complex service queuing models are supported in the router where each forwarding class is associated with a dedicated queue.

The forwarding class determination per service egress packet is determined either at ingress or egress. If the packet ingress the service on the same router, the service ingress classification rules determine the forwarding class of the packet. If the packet is received on a network interface, the forwarding class is marked in the tunnel transport encapsulation. In each case, the packet can be reclassified into a different forwarding class at service egress.

Service egress QoS policy ID 1 is reserved as the default service egress policy. The default policy cannot be deleted or changed. The default access egress policy is applied to all SAPs service egress policy explicitly assigned. The characteristics of the default policy are listed in the following table.

Table 13: Default Service Egress Policy ID 1 Definition

Characteristic	Item	Definition
Queues	Queue 1	1 (one) queue defined for all traffic classes: <ul style="list-style-type: none"> • CIR = 0 • PIR = max (line rate) • MBS and CBS = default

Table 13: Default Service Egress Policy ID 1 Definition (Continued)

Characteristic	Item	Definition
Flows	Default Action	1 (one) flow defined for all traffic classes: <ul style="list-style-type: none"> • All traffic mapped to queue 1 with no marking

Named Pool Policies

The named buffer pool feature for the 7450 ESS and 7750 SR allows for the creation of named buffer pools at the MDA and port level. Named pools allow for a customized buffer allocation mode for ingress and egress queues that goes beyond the default pool behavior.

Named pools are defined within a named pool policy. The policy contains a q1-pools context which is used to define port allocation weights and named pools for buffer pools on Q1 based IOMs (all IOMs that are currently supported). The policy may be applied at either the port or MDA level at which time the pools defined within the policy are created on the port or MDA. When the policy is applied at the MDA level, MDA named pools are created. MDA named pools will typically be used when either a pool cannot be created per port or when the buffering needs of queues mapped to the pool are not affected by sharing the pool with queues from other ports. MDA named pools allow buffers to be efficiently shared between queues on different ports mapped to the same pool. However, MDA named pools do present the possibility that very active queues on one port could deplete buffers in the pool offering the possibility that queues on other ports experiencing buffer starvation. Port named pools are created when the policy is applied at the port level and allow for a more surgical application of the buffer space allocated for a physical port. MDA pool names do not need to be unique. If a name overlaps exists, the port pool will be used. The same pool name may be created on multiple ports on the same MDA.

The named pool policy is applied at the MDA ingress and egress level and at the ingress and egress port level. Each MDA within the system is associated with a forwarding plane traffic manager that has support for a maximum of 57 buffer pools. The following circumstances affect the number of named pools that can be created per MDA (these circumstances may be different between ingress and egress for the MDA):

- The forwarding plane can be associated with multiple MDAs (each MDA has its own named pools)
- A single system level pool for system created queues is allocated
- There must be default pools for queues that are not explicitly mapped or are incorrectly mapped to a named pool
- Default pools for most IOM types (separate for ingress and egress)
- Access pool

- Network pool
- The number of named per-port pools is dependent on the number of ports the MDA supports which is variable per MDA type
- Per-port named pools cannot be used by ingress network queues, but pools defined in a named pool policy defined on an ingress all network port are still created
 - Ingress network queues use the default network pool or MDA named pools.
 - Ingress port buffer space allocated to network mode ports is included in the buffers made available to ingress MDA named pools.
 - Ingress port buffer space on channelized ports associated with network bandwidth is included in the buffers made available to ingress MDA named pools.
 - Ingress port named pools are only allocated buffers when the port is associated with some access mode bandwidth.
- Per-port named pools on ports aggregated into a LAG are still created per physical port
- Default, named MDA and named per-port pools are allocated regardless of queue provisioning activity associated with the pool

If the named pool policy is applied to an MDA or port that cannot create every pool defined in the policy, the policy application attempt will fail. Any preexisting named pool policy on the MDA or port will not be affected by the failed named pool policy association attempt.

When buffer pools are being created or deleted, individual queues may need to be moved to or from the default pools. When a queue is being moved, the traffic destined to the queue is first moved temporarily to a ‘fail-over’ queue. Then the queue is allowed to drain. Once the queue is drained, the statistics for the queue are copied. The queue is then returned to the free queue list. A new queue is then created associated with the appropriate buffer pool, the saved stats are loaded to the queue and then the traffic is moved from the fail-over queue to the new queue. While the traffic is being moved between the old queue to the fail-over queue and then to the new queue, some out of order forwarding may be experienced. Also, any traffic forwarded through the fail-over queue will not be accounted for in billing or accounting statistics. A similar action is performed for queues that have the associated pool name added, changed or removed. This only applies to where fail-over queues are currently supported.

The first step in allowing named pools to be created for an MDA is to enable ‘named-pool-mode’ at the IOM level (config card slot-number named-pool-mode). Named pool mode may be enabled and disabled at anytime. When MDAs are currently provisioned on the IOM, the IOM is reset to allow all existing pools to be deleted and the new default, named MDA and named port pools to be created and sized. If MDAs are not currently provisioned (as when the system is booting up), the IOM is not reset. When named pool mode is enabled, the system changes the way that default pools are created. The system no longer creates default pools per port, instead, a set of per forwarding plane level pools are created that are used by all queues that are not explicitly mapped to a named pool.

QoS Policies

After the IOM has been placed into named pool mode, a named pool policy must be associated with the ingress and egress contexts of the MDA or individual ports on the MDA for named pools to be created. There are no named pools that exist by default.

Each time the default pool reserve, aggregate MDA pool limit or individual pool sizes is changed, buffer pool allocation must be re-evaluated.

Pools may be deleted from the named pool policy at anytime. Queues associated with removed or non-existent pools are mapped to one of the default pools based on whether the queue is access or ingress. The queue is flagged as ‘pool-orphaned’ until either the pool comes into existence, or the pool name association is changed on the pool.

An ingress or egress port managed buffer space is derived from the port’s active bandwidth. Based on this bandwidth value compared to the other port’s bandwidth value, the available buffer space is given to each port to manage. It may be desirable to artificially increase or decrease this bandwidth value to compensate for how many buffers are actually needed on each port. If one port has very few queues associated with it and another has many queues associated, the commands in the port’s “modify-buffer-allocation-rate” CLI context may be used to move one port’s bandwidth up, and another port’s bandwidth down. As provisioning levels change between ports, the rate modification commands may be used to adapt the buffer allocations per port.

Buffer allocation rate modification is supported for both standard and named pool mode buffer allocation methods.

The system allocates buffers based on the following criteria:

- “named-pool-mode” setting on the IOM
- Amount of path bandwidth on channelized ports
- Existence of queues provisioned on the port or channel
- Current speed of each port
- Each ports “ing-percentage-of-rate” and “egr-percentage-of-rate” command setting
- The port-allocation-weights setting for default, MDA and port
- The ports division between network and access bandwidth
- Each individual named pool’s network-allocation-weight and access-allocation-weight

Slope Policies

For network ingress, a buffer pool is created for the XMA or MDA and is used for all network ingress queues for ports on the XMA or MDA.

Slope policies define the RED slope characteristics as a percentage of pool size for the pool on which the policy is applied.

Default buffer pools exist (logically) at the port and XMA and MDA levels. Each physical port has two pool objects associated:

- Access ingress/egress pool
- Network egress pool

By default, each pool is associated with slope-policy **default**.

Access and network pools (in network mode) and access uplink pools (in access uplink mode) are created at the port level; creation is dependent on the physical port mode (network, access) or the mode of provisioned channel paths.

Node-level pools are used by ingress network queues and bundle access queues. A single ingress network pool is created at the node-level for ingress network queues.

An ingress and egress access pool is created at the MDA level for all bundle access queues.

Slope policies can also be applied when using WRED per Queue, see [WRED Per Queue](#).

RED Slopes

Each buffer pool supports a high-priority RED slope and a low-priority RED slope. The high-priority RED slope manages access to the shared portion of the buffer pool for high-priority or in-profile packets. The low-priority RED slope manages access to the shared portion of the buffer pool for low-priority or out-of-profile packets. In addition, egress access, network pools, and megapools support an exceed slope which manages access to the shared portion of the buffer pool for exceed-profile packets.

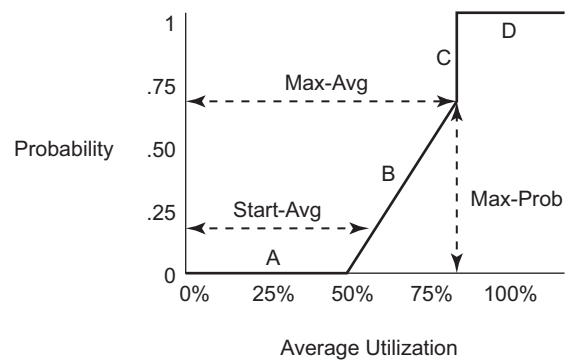
For access buffer pools, the percentage of the buffers that are to be reserved for CBS buffers is configured by the user software (cannot be changed by user). This setting indirectly assigns the amount of shared buffers on the pool. This is an important function that controls the ultimate average and total shared buffer utilization value calculation used for RED slope operation. The CBS setting can be used to dynamically maintain the buffer space on which the RED slopes operate.

For network buffer pools, the CBS setting does not exist; instead, the configured CBS values for each network forwarding class queue inversely defines the shared buffer size. If the total CBS for each queue equals or exceeds 100% of the buffer pool size, the shared buffer size is equal to 0 (zero) and a queue cannot exceed its CBS.

When a queue depth exceeds the queue's CBS, packets received on that queue must contend with other queues exceeding their CBS for shared buffers. To resolve this contention, the buffer pool uses two RED slopes to determine buffer availability on a packet by packet basis. A packet that was either classified as high priority or considered in-profile is handled by the high-priority RED slope. This slope should be configured with RED parameters that prioritize buffer availability over packets associated with the low-priority RED slope. Packets that had been classified as low priority or out-of-profile are handled by this low-priority RED slope. At egress, the additional exceed-slope should be configured with RED parameters that prioritize the high-priority and low-priority traffic above the exceed-profile traffic.

The following is a simplified overview of how a RED slope determines shared buffer availability on a packet basis:

1. The RED function keeps track of shared buffer utilization and shared buffer average utilization.
2. At initialization, the utilization is 0 (zero) and the average utilization is 0 (zero).
3. When each packet is received, the current average utilization is plotted on the slope to determine the packet's discard probability.
4. A random number is generated associated with the packet and is compared to the discard probability.
5. The lower the discard probability, the lower the chances are that the random number is within the discard range.
6. If the random number is within the range, the packet is discarded which results in no change to the utilization or average utilization of the shared buffers.
7. A packet is discarded if the utilization variable is equal to the shared buffer size or if the utilized CBS (actually in use by queues, not just defined by the CBS) is oversubscribed and has stolen buffers from the shared size, lowering the effective shared buffer size equal to the shared buffer utilization size.
8. If the packet is queued, a new shared buffer average utilization is calculated using the time-average-factor (TAF) for the buffer pool. The TAF describes the weighting between the previous shared buffer average utilization result and the new shared buffer utilization in determining the new shared buffer average utilization. (See [Tuning the Shared Buffer Utilization Calculation](#).)
9. The new shared buffer average utilization is used as the shared buffer average utilization next time a packet's probability is plotted on the RED slope.
10. When a packet is removed from a queue (if the buffers returned to the buffer pool are from the shared buffers), the shared buffer utilization is reduced by the amount of buffers returned. If the buffers are from the CBS portion of the queue, the returned buffers do not result in a change in the shared buffer utilization.

Figure 7: RED Slope Characteristics

OSSG020

A RED slope itself is a graph with an X (horizontal) and Y (vertical) axis. The X-axis plots the percentage of shared buffer average utilization, going from 0 to 100 percent. The Y-axis plots the probability of packet discard marked as 0 to 1. The actual slope can be defined as four sections in (X, Y) points (Figure 7):

1. Section A is (0, 0) to (start-avg, 0). This is the part of the slope that the packet discard value is always zero, preventing the RED function from discarding packets when the shared buffer average utilization falls between 0 and start-avg.
2. Section B is (start-avg, 0) to (max-avg, max-prob). This part of the slope describes a linear slope where packet discard probability increases from zero to max-prob.
3. Section C is (max-avg, max-prob) to (max-avg, 1). This part of the slope describes the instantaneous increase of packet discard probability from max-prob to one. A packet discard probability of 1 results in an automatic discard of the packet.
4. Section D is (max-avg, 1) to (100%, 1). On this part of the slope, the shared buffer average utilization value of max-avg to 100% results in a packet discard probability of 1.

Plotting any value of shared buffer average utilization will result in a value for packet discard probability from 0 to 1. Changing the values for start-avg, max-avg and max-prob allows the adaptation of the RED slope to the needs of the access or network queues using the shared portion of the buffer pool, including disabling the RED slope.

Tuning the Shared Buffer Utilization Calculation

The router allows tuning the calculation of the Shared Buffer Average Utilization (SBAU) after assigning buffers for a packet entering a queue as used by the RED slopes to calculate a packet's drop probability. The router implements a time average factor (TAF) parameter in the buffer policy which determines the contribution of the historical shared buffer utilization and the instantaneous Shared Buffer Utilization (SBU) in calculating the SBAU. The TAF defines a weighting exponent used to determine the portion of the shared buffer instantaneous utilization and the previous shared buffer average utilization used to calculate the new shared buffer average utilization. To derive the new shared buffer average utilization, the buffer pool takes a portion of the previous shared buffer average and adds it to the inverse portion of the instantaneous shared buffer utilization (SBU). The formula used to calculate the average shared buffer utilization is:

Figure 8: Equation

$$SBAU_n = \left(SBU \times \frac{1}{2^{TAF}} \right) + \left(SBAU_{n-1} \times \frac{2^{TAF} - 1}{2^{TAF}} \right)$$

where:

SBAUn = Shared buffer average utilization for event n

SBAUn-1 = Shared buffer average utilization for event (n-1)

SBU = The instantaneous shared buffer utilization

TAF = The time average factor

Table 14 shows the effect the allowed values of TAF have on the relative weighting of the instantaneous SBU and the previous SBAU (SBAUn-1) has on the calculating the current SBAU (SBAUn).

Table 14: TAF Impact on Shared Buffer Average Utilization Calculation

TAF	2 ^{TAF}	Equates To	Shared Buffer Instantaneous Utilization Portion	Shared Buffer Average Utilization Portion
0	2 ⁰	1	1/1 (1)	0 (0)
1	2 ¹	2	1/2 (0.5)	1/2 (0.5)

Table 14: TAF Impact on Shared Buffer Average Utilization Calculation (Continued)

TAF	2^{TAF}	Equates To	Shared Buffer Instantaneous Utilization Portion	Shared Buffer Average Utilization Portion
2	2^2	4	1/4 (0.25)	3/4 (0.75)
3	2^3	8	1/8 (0.125)	7/8 (0.875)
4	2^4	16	1/16 (0.0625)	15/16 (0.9375)
5	2^5	32	1/32 (0.03125)	31/32 (0.96875)
6	2^6	64	1/64 (0.015625)	63/64 (0.984375)
7	2^7	128	1/128 (0.0078125)	127/128 (0.9921875)
8	2^8	256	1/256 (0.00390625)	255/256 (0.99609375)
9	2^9	512	1/512 (0.001953125)	511/512 (0.998046875)
10	2^{10}	1024	1/1024 (0.0009765625)	1023/1024 (0.9990234375)
11	2^{11}	2048	1/2048 (0.00048828125)	2047/2048 (0.99951171875)
12	2^{12}	4096	1/4096 (0.000244140625)	4095/4096 (0.999755859375)
13	2^{13}	8192	1/8192 (0.0001220703125)	8191/8192 (0.9998779296875)
14	2^{14}	16384	1/16384 (0.00006103515625)	16383/16384 (0.99993896484375)
15	2^{15}	32768	1/32768 (0.000030517578125)	32767/32768 (0.999969482421875)

The value specified for the TAF affects the speed at which the shared buffer average utilization tracks the instantaneous shared buffer utilization. A low value weights the new shared buffer average utilization calculation more to the shared buffer instantaneous utilization. When TAF is zero, the shared buffer average utilization is equal to the instantaneous shared buffer utilization. A high value weights the new shared buffer average utilization calculation more to the previous shared buffer average utilization value. The TAF value applies to all high and low priority RED slopes for ingress and egress buffer pools controlled by the buffer policy.

Slope Policy Parameters

The elements required to define a slope policy are:

- A unique policy ID
- The high, low, and exceed RED slope shapes for the buffer pool: the start-avg, max-avg and max-prob.
- The TAF weighting factor to use for the SBAU calculation for determining RED slope drop probability.

Unlike access QoS policies where there are distinct policies for ingress and egress, slope policy is defined with generic parameters so that it is not inherently an ingress or an egress policy. A slope policy defines ingress properties when it is associated with an access port buffer pool on ingress and egress properties when it is associated with an access buffer pool on egress.

Each access port buffer pool can be associated with one slope policy ID on ingress and one slope policy ID on egress. The slope policy IDs on ingress and egress can be set independently.

Slope policy ID **default** is reserved for the default slope policy. The default policy cannot be deleted or changed. The default slope policy is implicitly applied to all access buffer pools which do not have another slope policy explicitly assigned.

[Table 15](#) lists the default values for the default slope policy.

Table 15: Default Slope Policy Definition

Parameter	Description	Setting
Policy ID	Slope policy ID	1 (Policy ID 1 reserved for default slope policy)
High (RED) slope	Administrative state	Shutdown
	start-avg	70% utilization
	max-avg	90% utilization
	max-prob	80% probability
Low (RED) slope	Administrative state	Shutdown
	start-avg	50% utilization
	max-avg	75% utilization
	max-prob	80% probability

Table 15: Default Slope Policy Definition (Continued)

Parameter	Description	Setting
Exceed (RED) slope	Administrative state	Shutdown
	start-avg	30% utilization
	max-avg	55% utilization
	max-prob	80% probability
TAF	Time average factor	7

Scheduler Policies

A scheduler policy defines the hierarchy and all operating parameters for the member schedulers. A scheduler policy must be defined in the QoS context before a group of virtual schedulers can be used. Although configured in a scheduler policy, the individual schedulers are actually created when the policy is applied to a site, such as a SAP or interface.

Scheduler objects define bandwidth controls that limit each child (other schedulers and queues) associated with the scheduler. The scheduler object can also define a child association with a parent scheduler of its own.

A scheduler is used to define a bandwidth aggregation point within the hierarchy of virtual schedulers. The scheduler's rate defines the maximum bandwidth that the scheduler can consume. It is assumed that each scheduler created will have queues or other schedulers defined as child associations. The scheduler can also be a child (take bandwidth from) a scheduler in a higher tier, except for schedulers created in Tier 1.

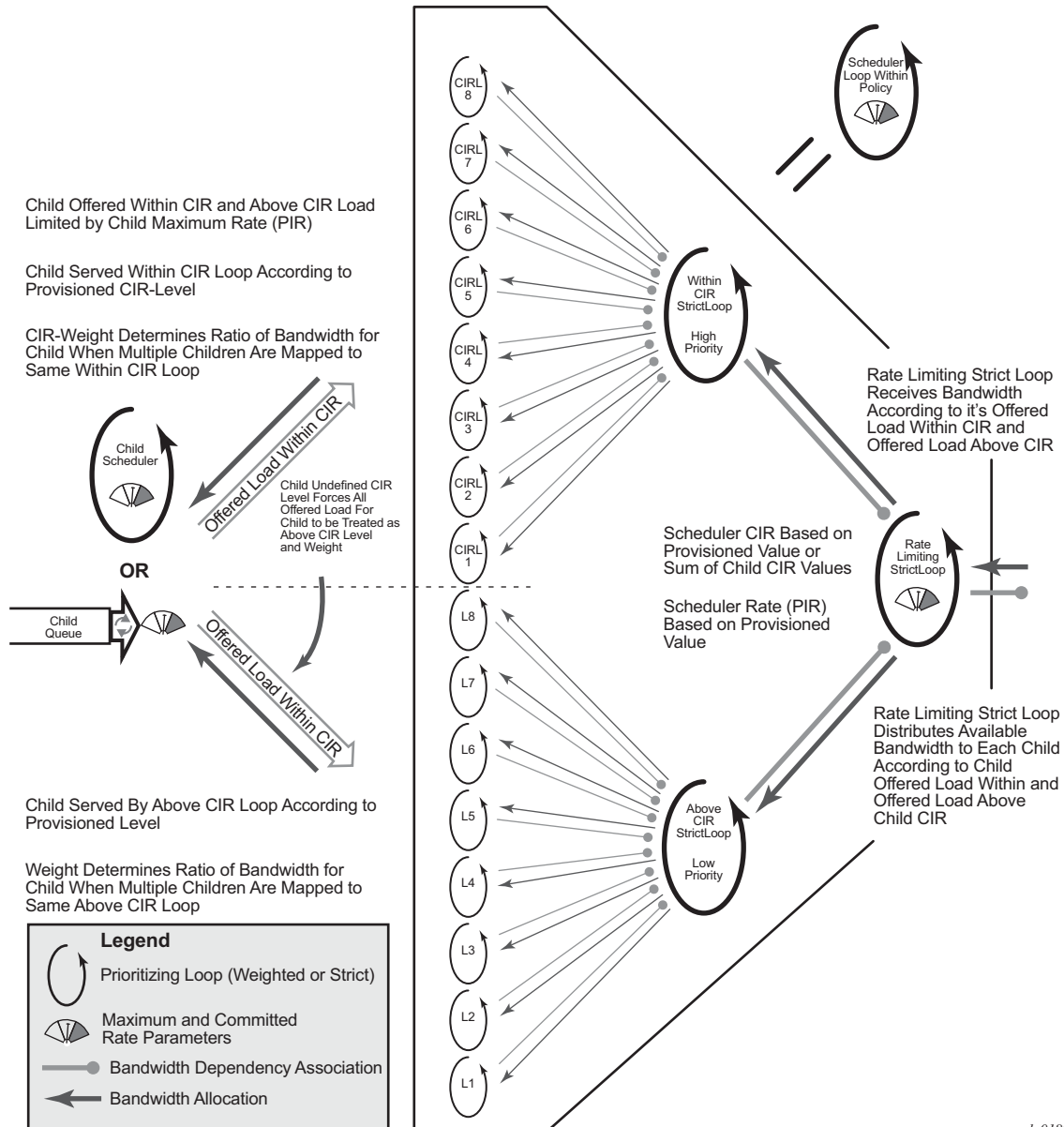
A parent parameter can be defined to specify a scheduler further up in the scheduler policy hierarchy. Only schedulers in Tiers 2 and 3 can have parental association. Tier 1 schedulers cannot have a parental association. When multiple schedulers and/or queues share a child status with the scheduler on the parent, the weight or strict parameters define how this scheduler contends with the other children for the parent's bandwidth. The parent scheduler can be removed or changed at anytime and is immediately reflected on the schedulers actually created by association of this scheduler policy.

When a parent scheduler is defined without specifying level, weight, or CIR parameters, the default bandwidth access method is weight with a value of 1.

If any orphaned queues (queues specifying a scheduler name that does not exist) exist on the ingress SAP and the policy application creates the required scheduler, the status on the queue becomes non-orphaned at this time.

Figure 9 depicts how child queues and schedulers interact with their parent scheduler to receive bandwidth. The scheduler distributes bandwidth to the children by first using each child’s CIR according to the CIR-level parameter (CIR L8 through CIR L1 weighted loops). The weighting at each CIR-Level loop is defined by the CIR weight parameter for each child. The scheduler then distributes any remaining bandwidth to the children up to each child’s rate parameter according to the Level parameter (L8 through L1 weighted loops). The weighting at each level loop is defined by the weight parameter for each child.

Figure 9: Virtual Scheduler Internal Bandwidth Allocation



al_0188

Virtual Hierarchical Scheduling

Virtual hierarchical scheduling is a method that defines a bounded operation for a group of queues. One or more queues are mapped to a given scheduler with strict and weighted metrics controlling access to the scheduler. The scheduler has an optional prescribed maximum operating rate that limits the aggregate rate of the child queues. This scheduler may then feed into another virtual scheduler in a higher tier. The creation of a hierarchy of schedulers and the association of queues to the hierarchy allows for a hierarchical Service Level Agreement (SLA) to be enforced.

Scheduler policies in the routers determine the order queues are serviced. All ingress and egress queues operate within the context of a scheduler. Multiple queues share the same scheduler. Schedulers control the data transfer between the following queues and destinations:

- Service ingress queues to switch fabric destinations.
- Service egress queues to access egress ports.
- Network ingress queues to switch fabric destinations.
- Network egress queues to network egress interfaces.

There are two types of scheduler policies:

- [Single Tier Scheduling](#)
- [Hierarchical Scheduler Policies](#)

Schedulers and scheduler policies control the data transfer between queues, switch fabric destinations and egress ports/interfaces. The type of scheduling available for the various scheduling points within the system are summarized in [Table 16](#).

Table 16: Supported Scheduler Policies

Scheduling From	To	Single-Tier	Hierarchical
Service Ingress Queues	Switch Fabric Destinations	Yes	Yes
Service Egress Queues	Access Egress Ports	Yes	Yes
Network Ingress Queues	Switch Fabric Destinations	Yes	No
Network Egress Queues	Network Egress Interfaces	Yes	No

Tiers

In single tier scheduling, queues are scheduled based on the forwarding class of the queue and the operational state of the queue relative to the queue's CIR and PIR. Queues operating within their CIR values are serviced before queues operating above their CIR values with "high-priority" forwarding class queues given preference over "low-priority" forwarding class queues. In single tier scheduling, all queues are treated as if they are at the same "level" and the queue's parameters and operational state directly dictate the queue's scheduling. Single tier scheduling is the system default scheduling policy for all the queues and destinations listed above and has no configurable parameters.

Hierarchical scheduler policies are an alternate way to schedule queues that can be used on service ingress and service egress queues. Hierarchical scheduler policies allow the creation of a hierarchy of schedulers where queues and/or other schedulers are scheduled by superior schedulers.

To illustrate the difference between single tier scheduling and hierarchical scheduling policies, consider a simple case where, on service ingress, three queues are created for gold, silver and bronze service and are configured as follows:

- Gold: CIR = 10 Mbps, PIR = 10 Mbps
- Silver: CIR = 20 Mbps, PIR = 40 Mbps
- Bronze: CIR = 0 Mbps, PIR = 100 Mbps

In the router, the CIR is used for profiling of traffic (in-profile or out-of-profile), and the PIR is the rate at which traffic is shaped out of the queue. In single tier scheduling, each queue can burst up to its defined PIR, which means up to 150 Mbps (10 Mbps + 40 Mbps + 100 Mbps) can enter the service.

In a simple example of a hierarchical scheduling policy, a superior (or parent) scheduler can be created for the gold, silver and bronze queues which limits the overall rate for all queues to 100 Mbps. In this hierarchical scheduling policy, the customer can send in any combination of gold, silver and bronze traffic conforming to the defined PIR values and not to exceed 100 Mbps.

Single Tier Scheduling

Single-tier scheduling is the default method of scheduling queues in the router. Queues are scheduled with single-tier scheduling if no explicit hierarchical scheduler policy is defined or applied. There are no configurable parameters for single-tier scheduling.

In single tier scheduling, queues are scheduled based on the Forwarding Class of the queue and the operational state of the queue relative to the queue's Committed Information Rate (CIR) and Peak Information Rate (PIR). Queues operating within their CIR values are serviced before queues operating above their CIR values with "high-priority" forwarding class queues given preference over "low-priority" forwarding class queues. In Single Tier Scheduling, all queues are treated as if they are at the same "level" and the queue's parameters and operational state directly dictate the queue's scheduling.

A pair of schedulers, a high-priority and low-priority scheduler, transmits to a single destination switch fabric port, access port, or network interface. [Table 17](#) below lists how the forwarding class queues are mapped to the high and low scheduler:

Table 17: Forwarding Class Scheduler Mapping

Scheduler	Forwarding Class
High	Network Control
	Expedited
	High-2
	High 1
Low	Low-1
	Assured
	Low-2
	Best-Effort

By using the default QoS profile, all ingress traffic is treated as best effort (be) (mapped to FC be and to low priority scheduler). For an egress SAP using the default QoS profile, all egress traffic will use the same queue.

While competing for bandwidth to the destination, each scheduler determines which queue will be serviced next. During congestion (packets existing on multiple queues), queues are serviced in the following order:

Queues associated with the high-priority scheduler operating within their CIR

- Queues associated with the low-priority scheduler operating within their CIR
- All queues with traffic above CIR and within PIR will be serviced by a biased round robin

Queues associated with a single scheduler are serviced in a round robin method. If a queue reaches the configured PIR, the scheduler will not serve the queue until the transmission rate drops below the PIR.

The router QoS features are flexible and allow modifications to the forwarding class characteristics and the CIR and PIR queue parameters. The only fundamental QoS mechanisms enforced within the hardware are the association of the forwarding classes with the high priority or low priority scheduler and the scheduling algorithm. Other parameters can be modified to configure the appropriate QoS behavior.

Hierarchical Scheduler Policies

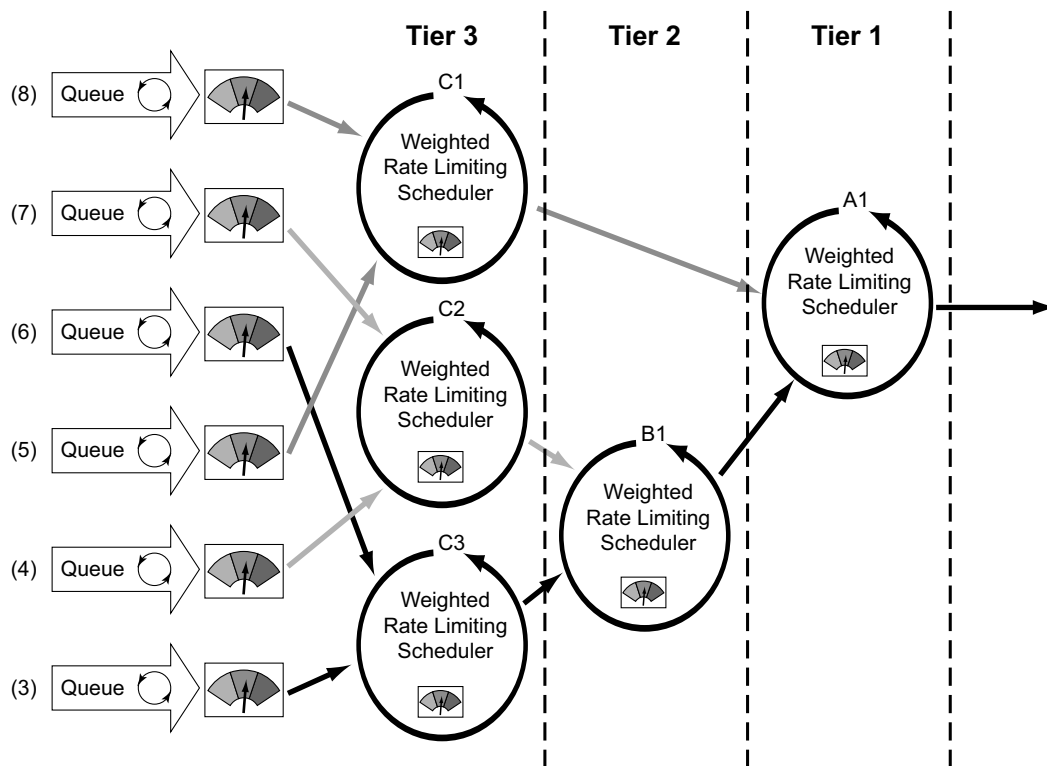
Hierarchical scheduler policies are an alternate way of scheduling queues which can be used on service ingress and service egress queues. Hierarchical scheduler policies allow the creation of a hierarchy of schedulers where queues and/or other schedulers are scheduled by superior schedulers.

The use of the hierarchical scheduler policies is often referred to as hierarchical QoS or H-QoS on the SR OS.

Hierarchical Virtual Schedulers

Virtual schedulers are created within the context of a hierarchical scheduler policy. A hierarchical scheduler policy defines the hierarchy and parameters for each scheduler. A scheduler is defined in the context of a tier (Tier 1, Tier 2, Tier 3). The tier level determines the scheduler's position within the hierarchy. Three tiers of virtual schedulers are supported (Figure 10). Tier 1 schedulers (also called root schedulers) are defined without a parent scheduler. It is not necessary for Tier 1 schedulers to obtain bandwidth from a higher tier scheduler. A scheduler can enforce a maximum rate of operation for all child queues and associated schedulers.

Figure 10: Hierarchical Scheduler and Queue Association

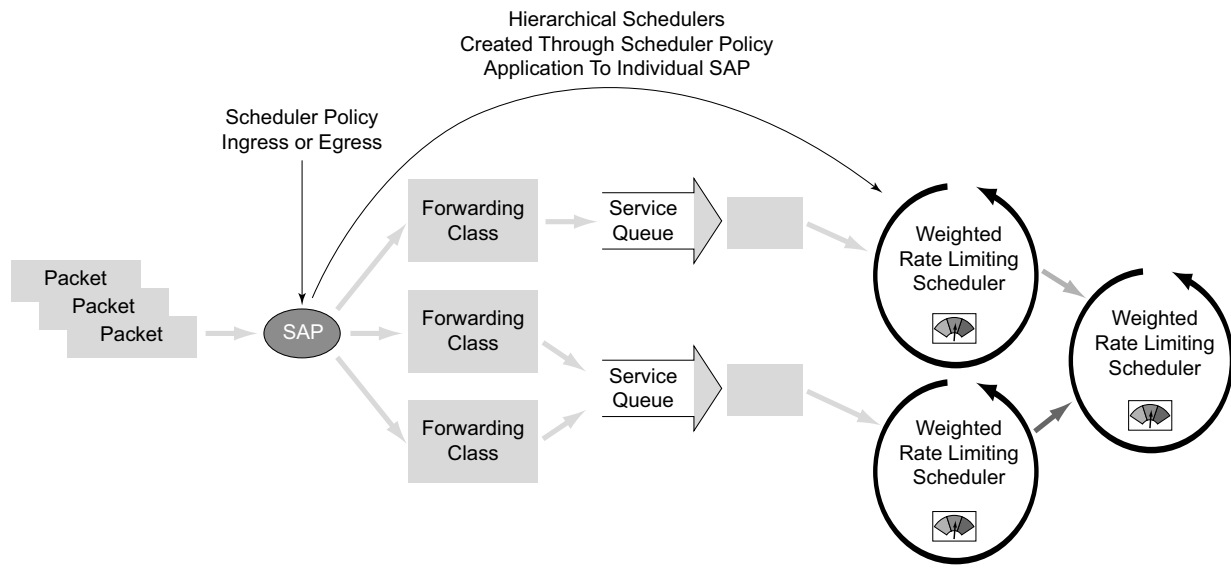


OSSG268

Scheduler Policies Applied to Applications

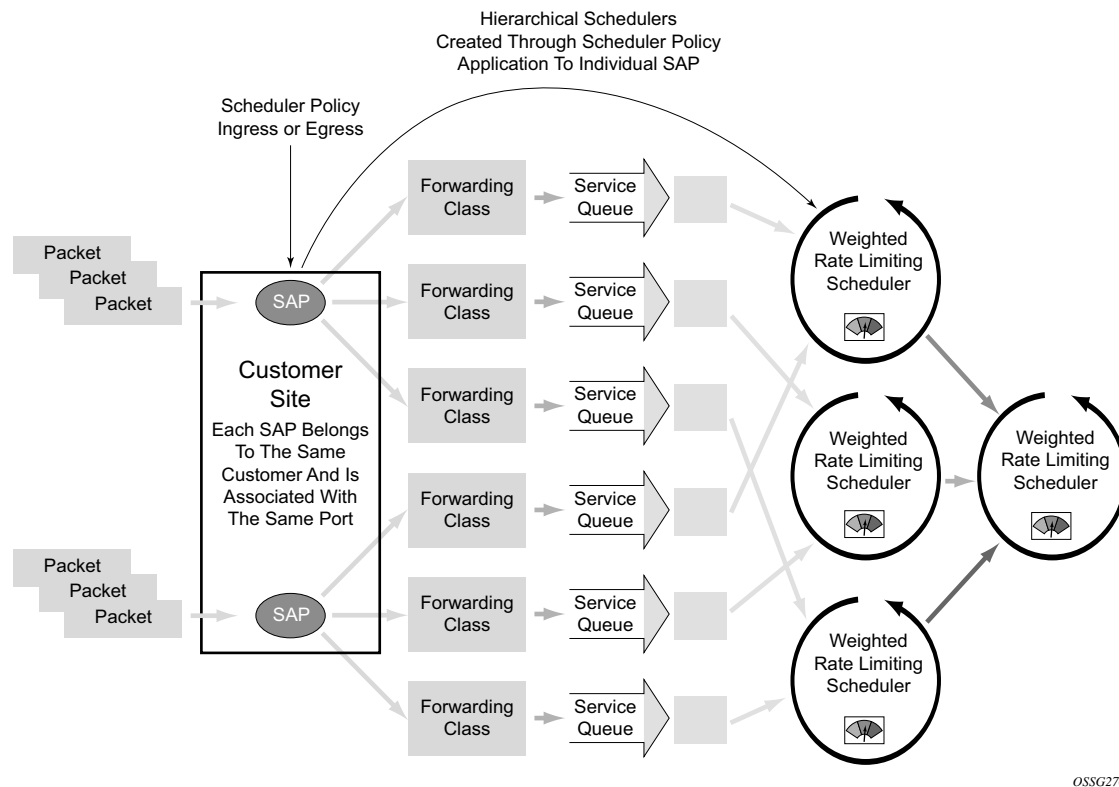
A scheduler policy can be applied either on a SAP (Figure 11) or on a multi-service customer site (a group of SAPs with common origination/termination point) (Figure 12). Whenever a scheduler policy is applied, the individual schedulers comprising the policy are created on the object. When the object is an individual SAP, only queues created on that SAP can use the schedulers created by the policy association. When the object is a multi-service customer site, the schedulers are available to any SAPs associated with the site (also see [Scheduler Policies Applied to SAPs](#)).

Figure 11: Scheduler Policy on SAP and Scheduler Hierarchy Creation



OSSG269

Figure 12: Scheduler Policy on Customer Site and Scheduler Hierarchy Creation



Queues become associated with schedulers when the parent scheduler name is defined within the queue definition in the SAP ingress policy. The scheduler is used to provide bandwidth to the queue relative to the operating constraints imposed by the scheduler hierarchy.

Scheduler Policies Applied to SAPs

A scheduler policy can be applied to create egress schedulers used by SAP queues. The schedulers comprising the policy are created at the time the scheduler policy is applied to the SAP. If any orphaned queues exist (queues specifying a scheduler name that does not exist) on the egress SAP and the policy application creates the required scheduler, the status on the queue will become non-orphaned.

Queues are associated with the configured schedulers by specifying the parent scheduler defined within the queue definition from the SAP egress policy. The scheduler is used to provide bandwidth to the queue relative to the operating constraints imposed by the scheduler hierarchy.

Customer Service Level Agreement (SLA)

The router implementation of hierarchical QoS allows a common set of virtual schedulers to govern bandwidth over a set of customer services that is considered to be from the same site. Different service types purchased from a single customer can be aggregately accounted and billed based on a single Service Level Agreement.

By configuring multi-service sites within a customer context, the customer site can be used as an anchor point to create an ingress and egress virtual scheduler hierarchy.

Once a site is created, it must be assigned to the chassis slot or a port (except in the 7450 ESS-1 model; the slot is automatically set to 1). This allows the system to allocate the resources necessary to create the virtual schedulers defined in the ingress and egress scheduler policies. This also acts as verification that each SAP assigned to the site exists within the context of the customer ID and that the SAP was created on the correct slot, port, or channel. The specified slot or port must already be preprovisioned (configured) on the system.

When scheduler policies are defined for ingress and egress, the scheduler names contained in each policy are created according to the parameters defined in the policy. Multi-service customer sites are configured only to create a virtual scheduler hierarchy and make it available to queues on multiple SAPs.

Scheduler Policies Applied to Multi-Service Sites

Only an existing scheduler policy and scheduler policy names can be applied to create the ingress or egress schedulers used by SAP queues associated with a customer's multi-service site. The schedulers defined in the scheduler policy can only be created after the customer site has been appropriately assigned to a chassis port, channel, or slot. Once a multi-service customer site is created, SAPs owned by the customer must be explicitly included in the site. The SAP must be owned by the customer the site was created within and the site assignment parameter must include the physical locale of the SAP.

Shared Queues

Shared-queue QoS policies can be implemented to reduce ingress queue consumption on an MDA. It is especially useful when VPLS, IES, and VPRN services are scaled on one MDA. Instead of allocating multiple hardware queues for each unicast or multipoint queue defined in a SAP ingress QoS policy, SAPs with the shared-queuing feature enabled only allocate one hardware queue for each SAP ingress QoS policy unicast or multipoint queue.

However, as a tradeoff, the total amount of traffic throughput at ingress of the node is reduced because any ingress packet serviced by a shared-queuing SAP is recirculated for further processing. When the node is only used for access SAPs, 5 Gbps ingress traffic is the maximum that can be processed without seeing packet drops at the MDA ingress. The reason for this is that any ingress packet serviced by a shared-queuing SAP is processed twice in the forwarding plane which greatly reduces bandwidth.

Shared-queuing can add latency. Network planners should consider these restrictions while trying to scale services on one MDA.

ATM Traffic Descriptor Profiles

Traffic descriptors profiles capture the cell arrival pattern for resource allocation. Source traffic descriptors for an ATM connection include at least one of the following:

- Sustained Information Rate (SIR)
- Peak Information Rate (PIR)
- Minimum Information Rate (MIR)
- Maximum Burst Size (MBS)

QoS Traffic descriptor profiles are applied on IES, VPRN, VPLS, and VLL SAPs.

ATM traffic descriptors are not supported on the 7950 XRS.

Configuration Notes

The following information describes QoS implementation caveats:

- Creating additional QoS policies is optional.
- Default policies are created for service ingress, service egress, network, network-queue, slope policies. Scheduler policies must be explicitly created and applied to a port.
- Associating a service or access ports with a QoS policy other than the default policy is optional.
- A network queue, service egress, and service ingress QoS policy must consist of at least one queue. Queues define the forwarding class, CIR, and PIR associated with the queue.

Network QoS Policies

In This Section

This section provides information to configure network QoS policies using the command line interface.

Topics in this section include:

- [Overview](#)
- [Basic Configurations](#)
- [Default Network Policy Values](#)
- [Service Management Tasks](#)

Overview

The ingress component of the policy defines how DiffServ code points (DSCPs) and MPLS EXP bits are mapped to internal forwarding class and profile state. The forwarding class and profile state define the Per Hop Behavior (PHB) or the QoS treatment through the router. The mapping on each network interface defaults to the mappings defined in the default network QoS policy until an explicit policy is defined for the network interface.

The egress component of the network QoS policy defines the DiffServ oriented queuing parameters associated with each forwarding class.

Each forwarding class defined within the system automatically creates a queue on each network interface. This queue gets all the parameters defined within the default network QoS policy 1 until an explicit policy is defined for the network interface.

If the egressing packet originated on an ingress SAP, or the remarking parameter is defined for the egress interface, the egress QoS policy also defines the IP DSCP or MPLS EXP bit marking based on the forwarding class and the profile state.

Network **policy-id 1** exists as the default policy that is applied to all network interfaces by default. The network **policy-id 1** cannot be modified or deleted. It defines the default DSCP-to-FC mapping and MPLS EXP-to-FC for the ingress. For the egress, it defines six forwarding classes which represent individual queues and the packet marking criteria.

New (non-default) network policy parameters can be modified. The **no** form of the command reverts the object to the default values. A new network policy must include the definition of at least one queue and specify the default-action. Incomplete network policies cannot be applied to network interfaces.

Changes made to a policy are applied immediately to all network interface where the policy is applied. For this reason, when a policy requires several changes, it is recommended that you copy the policy to a work area policy-id. The work-in-progress copy can be modified until all the changes are made and then the original policy-id can be overwritten with the **config qos copy** command.

For information about the tasks and commands necessary to access the command line interface and to configure and maintain your router devices, refer to CLI Usage chapter in the Basic System Configuration Guide.

Network Ingress Tunnel QoS Override

For Tunnel Terminated IP Routing Decisions

This section describes a mechanism that provides the ability to ignore the network ingress QoS mapping of a terminated tunnel containing an IP packet that is to be routed to a base router or VPRN destination. This is advantageous when the mapping for the tunnel QoS marking does not accurately or completely reflect the required QoS handling for the IP routed packet. When the mechanism is enabled on an ingress network IP interface, the IP interface will ignore the tunnel's QoS mapping and derive the internal forwarding class and profile based on the precedence or DiffServe Code Point (DSCP) values within the routed IP header ToS field compared to the Network QoS policy defined on the IP interface.

Normal QoS Operation

The following types of QoS mapping decisions are applicable on a network ingress IP interface.

- Ethernet dot1p value mapping (if defined)
- Default QoS mapping

- IP ToS precedence mapping
- IP ToS DSCP mapping
- MPLS LSP EXP mapping

The default QoS mapping always exists on an ingress IP interface and every received packet will be mapped to this default if another explicitly defined matching entry does not exist.

A tunnel that terminates on the ingress IP interface (the node is the last hop for the tunnel) is evaluated based on the type of tunnel, IP GRE or MPLS LSP. An IP tunneled packet may match a dot1p entry, IP ToS precedence entry or IP ToS DSCP entry when defined in the applied policy. An MPLS LSP may match a dot1p entry or MPLS EXP entry when defined.

The internal tunnel encapsulated packet is never evaluated for QoS determination when operating in normal mode.

Network Ingress IP Match Criteria

IP match criteria classification is supported in the ingress section of a network QoS policy.

The classification only applies to the outer IPv4 header of non-tunneled traffic, consequently the use of an ip-criteria statement in a network QoS policy is ignored for received traffic when the network QoS policy is applied on the ingress network IP interface in the following cases:

- Mesh SDPs in VPLS services
- Spoke SDPs in VPLS and Xpipe services
- Spoke SDP under an IP interface in an IES or VPRN service
- Spoke SDPs in a VPRN service
- Automatically created bindings using the auto-bind-tunnel command in a VPRN service
- IPv6 over IPv4 tunnels
- VXLAN bindings (egress VTEP, VNI)

The only exception is for traffic received on a Draft Rosen tunnel for which classification on the outer IP header only is supported.

Attempting to apply a network QoS policy containing an ip-criteria statement to any object except a network IP interface will result in an error.

An example configuration is shown below:

```
network 10 create
  ingress
    ip-criteria
```

```
entry 10 create
  match
    dst-ip 10.0.0.1/32
  exit
  action fc "h2" profile in
exit
```

Network Ingress IPv6 Match Criteria

IPv6 match criteria classification is supported in the ingress section of a network QoS policy.

The classification only applies to the outer IPv6 header of non-tunneled traffic, consequently the use of an `ipv6-criteria` statement in a network QoS policy is ignored for received traffic when the network QoS policy is applied on the ingress network IP interface in the following cases:

- Mesh SDPs in VPLS services
- Spoke SDPs in VPLS and Xpipe services
- Spoke SDP under an IP interface in an IES or VPRN service
- Spoke SDPs in a VPRN service
- Automatically created bindings using the `auto-bind-tunnel` command in a VPRN service
- IPv6 over IPv4 tunnels
- VXLAN bindings (egress VTEP, VNI)

Attempting to apply a network QoS policy containing an `ipv6-criteria` statement to any object except a network IP interface will result in an error.

An example configuration is shown below:

```
network 10 create
  ingress
    ipv6-criteria
      entry 10 create
        match
          dst-ip 2001:db8:1000::1/128
        exit
        action fc "ef" profile in
      exit
    exit
  exit
exit
```


Tunnel Termination QoS Override Operation

Tunnel termination QoS override only applies to IP routing decisions once the tunnel encapsulation is removed. Non-IP routed packets within a terminating tunnel are ignored by the override and are forwarded as described in the [Normal QoS Operation](#) section.

When tunnel termination QoS override is enabled, the ToS field within the routed IP header is evaluated against the IP ToS precedence and DSCP entries in the applied network QoS policy on the ingress IP interface. If an explicit match entry is not found, the default QoS mapping is used. Any dot1p and MPLS LSP EXP bits within the packet are ignored. If the packet was IP GRE tunneled to the node, the tunnel IP header ToS field is ignored as well.

Any tunnel received on the ingress IP interface that traverses the node (the node is not the ultimate hop for the tunnel) is not affected by the QoS override mechanism and is forwarded as described in [Normal QoS Operation](#) section.

Enabling and Disabling Tunnel Termination QoS Override

Tunnel termination QoS override is enabled and disabled within the network QoS policy under the ingress node. The default condition within the policy is not to override tunnel QoS for IP routed packets.

QoS for Self-Generated (CPU) Traffic on Network Interfaces

Differentiated services code point (DSCP), forwarding class (FC), and IEEE 802.1p values can be specified to be used by every protocol packet generated by the node. This enables prioritization or deprioritization of every protocol (as required). The markings effect a change in behavior on ingress when queuing. For example, if OSPF is not enabled, then traffic can be deprioritized to best effort (BE) DSCP. This change deprioritizes OSPF traffic to the CPU complex.

DSCP marking for internally generated control and management traffic should be used for the given application. This can be configured per routing instance. For example, OSPF packets can carry a different DSCP marking for the base instance and then for a VPRN service. ARP, IS-IS, and PPPoE are not IP protocols, so only 802.1p values can be configured.

The DSCP value can be set per application. When an application is configured to use a specified DSCP value, the 802.1p and MPLS EXP bits will be marked in accordance with the network (default 802.1p value of 7) or access (default 802.1p value of 0) egress policy as it applies to the logical interface the packet will be egressing.

Overview

The configuration of self-generated QoS is supported in the base router, VPRN, and management contexts.

The default values for self-generated traffic on network interfaces are:

- Routing protocols (OSPF, BGP, etc.)
 - Forwarding class: Network Control (NC)
 - DSCP value: NC1 (not applicable for ARP, IS-IS, and PPPoE)
 - 802.1p value: according to the egress QoS policy (7 by default)
- Management protocols (SSH, SNMP, etc.)
 - Forwarding class: Network Control (NC)
 - DSCP value: AF41
 - 802.1p value: according to the egress QoS policy (7 by default)

Table 18: Default QoS Values for Self-Generated Traffic

Protocol	DSCP	FC
ARP	N/A	NC
BFD	NC1	NC
BGP	NC1	NC
Cflowd	NC1	NC
DHCP	NC1	NC
Diameter	AF41	NC
DNS	AF41	NC
FTP	AF41	NC
GTP	NC2	NC
ICMP	BE	NC
IGMP	NC1	NC
IS-IS	N/A	NC
L2TP	NC1	NC
LDP	NC1	NC
MLD	NC1	NC
MSDP	NC1	NC

Table 18: Default QoS Values for Self-Generated Traffic (Continued)

Protocol	DSCP	FC
ND (NDIS)	NC2	NC
NTP/SNTP	NC1	NC
OSPF	NC1	NC
PECP	NC1	NC
PIM	NC1	NC
PPPoE	N/A	NC
PTP	NC1	NC
RADIUS	AF41	NC
RIP	NC1	NC
RSVP	NC1	NC
sFlow	NC1	NC
SNMP	AF41	NC
SRRP	NC1	NC
SSH	AF41	NC
Syslog	AF41	NC
TACACS+	AF41	NC
Telnet	AF41	NC
TFTP	AF41	NC
Traceroute	BE	NC
VRRP	NC1	NC



Note: ICMP echo requests (type 8) initiated from the router will use the DSCP value set by the **sgt-qos** command. The FC value is NC by default, or the value specified in the **ping** command parameter **fc fc-name**.



Note: Configurable values for BFD are not supported.

Basic Configurations

Default DSCP Mapping Table

DSCP Name	DSCP Value Decimal	DSCP Value Hexadecimal	DSCP Value Binary	Label
Default	0	0x00	0b000000	be
nc1	48	0x30	0b110000	h1
nc2	56	0x38	0b111000	nc
ef	46	0x2e	0b101110	ef
af11	10	0x0a	0b001010	assured
af12	12	0x0c	0b001100	assured
af13	14	0x0e	0b001110	assured
af21	18	0x12	0b010010	l1
af22	20	0x14	0b010100	l1
af23	22	0x16	0b010110	l1
af31	26	0x1a	0b011010	l1
af32	28	0x1c	0b011100	l1
af33	30	0x1d	0b011110	l1
af41	34	0x22	0b100010	h2
af42	36	0x24	0b100100	h2
af43	38	0x26	0b100110	h2
default*	0			

*The default forwarding class mapping is used for all DSCP names/values for which there is no explicit forwarding class mapping.

Basic Configurations

A basic network QoS policy must conform to the following:

- Each network QoS policy must have a unique policy ID.
- Include the definition of at least one queue.
- Specify the default-action.

Create a Network QoS Policy

Configuring and applying QoS policies other than the default policy is optional. A default network policy of the appropriate type is applied to each router interface.

To create a network QoS policy when operating, define the following:

- A network policy ID value. The system will not dynamically assign a value.
- Include a description. The description provides a brief overview of policy features.

- You can modify egress criteria to customize the forwarding class queues to be instantiated. Otherwise, the default values are applied.
 - Remarkings — When enabled, this command remarks ALL packets that egress on the specified network port. The remarkings is based on the forwarding class to DSCP and LSP EXP bit mapping defined under the egress node of the network QoS policy.
 - Forwarding class criteria — The forwarding class name represents an egress queue. Specify forwarding class criteria to define the egress characteristics of the queue and the marking criteria of packets flowing through it.
 - DSCP — The DSCP value is used for all IP packets requiring marking that egress on this forwarding class queue that are *in* or *out* of profile.
 - LSP EXP — The EXP value is used for all MPLS labeled packets requiring marking that egress on this forwarding class queue that are *in* or *out* of profile.
- Ingress criteria — Specifies the DSCP to forwarding class mapping for all IP packets and define the MPLS EXP bits to forwarding class mapping for all labeled packets.
 - Default action — Defines the default action to be taken for packets that have an undefined DSCP or MPLS EXP bits set. The default-action specifies the forwarding class to which such packets are assigned.
 - DSCP — Creates a mapping between the DSCP of the network ingress traffic and the forwarding class. Ingress traffic that matches the specified DSCP will be assigned to the corresponding forwarding class.
 - LSP EXP — Creates a mapping between the LSP EXP bits of the network ingress traffic and the forwarding class. Ingress traffic that matches the specified LSP EXP bits will be assigned to the corresponding forwarding class.

Use the following CLI syntax to create a network QoS policy:

```

CLI Syntax:  config>qos#
                network network-policy-id
                  description description-string
                  scope {exclusive | template}
                  egress
                    remarking
                    fc {be | l2 | af | l1 | h2 | ef | h1 | nc}
                      dot1p-in-profile dot1p-priority
                      dot1p-out-profile dot1p-priority
                      dscp-in-profile dscp-name
                      dscp-out-profile dscp-name
                      lsp-exp-in-profile mpls-exp-value
                      lsp-exp-out-profile mpls-exp-value
                    default-action fc {be | l2 | af | l1 | h2 | ef
                                       | h1 | nc} profile {in | out}
  
```

Basic Configurations

```
dot1p dot1p-priority fc {fc-name} profile {in
| out}
dscp dscp-name fc {be | 12 | af | 11 | h2 | ef
| h1 | nc} profile {in | out}
ler-use-dscp
lsp-exp lsp-exp-value fc fc-name profile {in |
out}
```

```
A:ALA-10:A:ALA-12>config>qos# info
#-----
echo "QoS Policy Configuration"
#-----
...
network 600 create
description "Network Egress Policy"
ingress
default-action fc ef profile in
exit
egress
remarking
exit
exit
...
#-----
A:ALA-12>config>qos#
```

Applying Network Policies

Use the following CLI syntax to apply network policies to the router access uplink port's IP interfaces:

```
CLI Syntax: config>router
interface interface-name
qos network-policy-id
```

The following output displays the configuration for router interface ALA-1-2 with network policy 600 applied to the interface.

```
A:ALA-7>config>router# info
#-----
echo "IP Configuration"
#-----
...
interface "ALA-1-2"
address 10.10.4.3/24
qos 600
exit
...
#-----
A:ALA-7>config>router#
```

Default Network Policy Values

The default network policy for IP interfaces is identified as policy-id 1. Default policies cannot be modified or deleted. The following displays default network policy parameters:

Table 19: Network Policy Defaults

Field				Default	
description				Default network QoS policy.	
scope				template	
ingress					
	default-action			fc be profile out	
		dscp			
			be	fc be	profile out
			ef	fc ef	profile in
			cs1	fc l2	profile in
			nc1	fc h1	profile in
			nc2	fc nc	profile in
			af11	fc af	profile in
			af12	fc af	profile out
			af13	fc af	profile out
			af21	fc l1	profile in
			af22	fc l1	profile out
			af23	fc l1	profile out
			af31	fc l1	profile in
			af32	fc l1	profile out
			af33	fc l1	profile out
			af41	fc h2	profile in
			af42	fc h2	profile out
			af43	fc h2	profile out

Table 19: Network Policy Defaults (Continued)

Field			Default	
		lsp-exp		
		0	fc be	profile out
		1	fc l2	profile in
		2	fc af	profile out
		3	fc af	profile in
		4	fc h2	profile in
		5	fc ef	profile in
		6	fc h1	profile in
		7	fc nc	profile in
egress				
	remarking		no	
	fc af			
		dscp-in-profile	af11	
		dscp-out-profile	af12	
		lsp-exp-in-profile	3	
		lsp-exp-out-profile	2	
	fc be			
		dscp-in-profile	be	
		dscp-out-profile	be	
		lsp-exp-in-profile	0	
		lsp-exp-out-profile	0	
	fc ef			
		dscp-in-profile	ef	
		dscp-out-profile	ef	
		lsp-exp-in-profile	5	

Table 19: Network Policy Defaults (Continued)

Field		Default	
	lsp-exp-out-profile	5	
	fc h1		
	dscp-in-profile	nc1	
	dscp-out-profile	nc1	
	lsp-exp-in-profile	6	
	lsp-exp-out-profile	6	
	fc h2		
	dscp-in-profile	af41	
	dscp-out-profile	af42	
	lsp-exp-in-profile	4	
	lsp-exp-out-profile	4	
	fc l		
	dscp-in-profile	af21	
	dscp-out-profile	af22	
	lsp-exp-in-profile	3	
	lsp-exp-out-profile	2	
	fc l2		
	dscp-in-profile	cs1	
	dscp-out-profile	cs1	
	lsp-exp-in-profile	1	
	lsp-exp-out-profile	1	
	fc nc		
	dscp-in-profile	nc2	
	dscp-out-profile	nc2	
	lsp-exp-in-profile	7	
	lsp-exp-out-profile	7	

Basic Configurations

The following output displays the default configuration:

```
A:ALA-49>config>qos>network# info detail
-----
description "Default network QoS policy."
scope template
ingress
  default-action fc be profile out
  no ler-use-dscp
  dscp be fc be profile out
  dscp ef fc ef profile in
  dscp cs1 fc l2 profile in
  dscp nc1 fc h1 profile in
  dscp nc2 fc nc profile in
  dscp af11 fc af profile in
  dscp af12 fc af profile out
  dscp af13 fc af profile out
  dscp af21 fc l1 profile in
  dscp af22 fc l1 profile out
  dscp af23 fc l1 profile out
  dscp af31 fc l1 profile in
  dscp af32 fc l1 profile out
  dscp af33 fc l1 profile out
  dscp af41 fc h2 profile in
  dscp af42 fc h2 profile out
  dscp af43 fc h2 profile out
  lsp-exp 0 fc be profile out
  lsp-exp 1 fc l2 profile in
  lsp-exp 2 fc af profile out
  lsp-exp 3 fc af profile in
  lsp-exp 4 fc h2 profile in
  lsp-exp 5 fc ef profile in
  lsp-exp 6 fc h1 profile in
  lsp-exp 7 fc nc profile in
exit
egress
  no remarking
  fc af
    dscp-in-profile af11
    dscp-out-profile af12
    lsp-exp-in-profile 3
    lsp-exp-out-profile 2
    dot1p-in-profile 2
    dot1p-out-profile 2
  exit
  fc be
    dscp-in-profile be
    dscp-out-profile be
    lsp-exp-in-profile 0
    lsp-exp-out-profile 0
    dot1p-in-profile 0
    dot1p-out-profile 0
  exit
  fc ef
    dscp-in-profile ef
    dscp-out-profile ef
    lsp-exp-in-profile 5
    lsp-exp-out-profile 5
    dot1p-in-profile 5
```

```

        dot1p-out-profile 5
    exit
    fc h1
        dscp-in-profile nc1
        dscp-out-profile nc1
        lsp-exp-in-profile 6
        lsp-exp-out-profile 6
        dot1p-in-profile 6
        dot1p-out-profile 6
    exit
    fc h2
        dscp-in-profile af41
        dscp-out-profile af42
        lsp-exp-in-profile 4
        lsp-exp-out-profile 4
        dot1p-in-profile 4
        dot1p-out-profile 4
    exit
    fc l1
        dscp-in-profile af21
        dscp-out-profile af22
        lsp-exp-in-profile 3
        lsp-exp-out-profile 2
        dot1p-in-profile 3
        dot1p-out-profile 3
    exit
    fc l2
        dscp-in-profile cs1
        dscp-out-profile cs1
        lsp-exp-in-profile 1
        lsp-exp-out-profile 1
        dot1p-in-profile 1
        dot1p-out-profile 1
    exit
    fc nc
        dscp-in-profile nc2
        dscp-out-profile nc2
        lsp-exp-in-profile 7
        lsp-exp-out-profile 7
        dot1p-in-profile 7
        dot1p-out-profile 7
    exit
exit
-----
A:ALA-49>config>qos>network#

```

Service Management Tasks

Deleting QoS Policies

A network policy is associated by default with router interfaces.

Service Management Tasks

You can replace the default policy with a non-default policy, but you cannot remove default policies from the configuration. When you remove a non-default policy, the policy association reverts to the appropriate default network policy.

CLI Syntax: `config>router`
`interface interface-name`
`qos network-policy-id`

The following output displays a sample configuration.

```
A:ALA-7>config>router# info
#-----
echo "IP Configuration"
#-----
...
    interface "ALA-1-2"
      address 10.10.4.3/24 broadcast host-ones
      no port
      no arp-timeout
      no allow-directed-broadcasts
      icmp
        mask-reply
        redirects 100 10
        unreachable 100 10
        ttl-expired 100 10
      exit
      qos 1
      ingress
        no filter
      exit
      egress
        no filter
      exit
      no mac
      no ntp-broadcast
      no cflowd
      no shutdown
    exit
    interface "ALA-1-3"
  ...
#-----
A:ALA-7>config>router#
```

Remove a Policy from the QoS Configuration

To delete a network policy, enter the following commands:

CLI Syntax: `config>qos# no network network-policy-id`

Copying and Overwriting Network Policies

You can copy an existing network policy to a new policy ID value or overwrite an existing policy ID. The overwrite option must be specified or an error occurs if the destination policy ID exists.

CLI Syntax: `config>qos# copy network source-policy-id dest-policy-id [overwrite]`

The following output displays the copied policies:

```
A:ALA-12>config>qos# info detail
-----
...
network 1 create
description "Default network QoS policy."
scope template
ingress
  default-action fc be profile out
  dscp be fc be profile out
  dscp ef fc ef profile in
  dscp cs1 fc l2 profile in
  dscp ncl fc h1 profile in
  dscp nc2 fc nc profile in
  dscp af11 fc af profile in
  dscp af12 fc af profile out
  dscp af13 fc af profile out
  dscp af21 fc l1 profile in
  dscp af22 fc l1 profile out
...
network 600 create
description "Default network QoS policy."
scope template
ingress
  default-action fc be profile out
  dscp be fc be profile out
  dscp ef fc ef profile in
  dscp cs1 fc l2 profile in
  dscp ncl fc h1 profile in
  dscp nc2 fc nc profile in
  dscp af11 fc af profile in
  dscp af12 fc af profile out
  dscp af13 fc af profile out
  dscp af21 fc l1 profile in
  dscp af22 fc l1 profile out
...
network 700 create
description "Default network QoS policy."
scope template
ingress
  default-action fc be profile out
  dscp be fc be profile out
  dscp ef fc ef profile in
  dscp cs1 fc l2 profile in
  dscp ncl fc h1 profile in
```

Service Management Tasks

```
dscp nc2 fc nc profile in
dscp af11 fc af profile in
dscp af12 fc af profile out
dscp af13 fc af profile out
dscp af21 fc l1 profile in
dscp af22 fc l1 profile out
...
-----
A:ALA-12>config>qos#
```

Editing QoS Policies

You can change existing policies, except the default policies, and entries in the CLI. The changes are applied immediately to all interfaces where the policy is applied. To prevent configuration errors use the copy command to make a duplicate of the original policy to a work area, make the edits, and then overwrite the original policy.

Network QoS Policy Command Reference

Command Hierarchies

- [Configuration Commands](#)
- [Multi-Class Frame-Relay Profile Commands](#)
- [Operational Commands](#)
- [Show Commands](#)

Configuration Commands

Multi-Class Frame-Relay Profile Commands

The commands listed in this section apply only to the 7450 ESS and 7750 SR.

```

config
  — qos
    — [no] mc-fr-profile-ingress profile-id
      — description description-string
      — no description
      — class class-id
        — reassemble-timeout timeout-value
        — no reassemble-timeout
    — [no] mc-fr-profile-egress profile-id
      — description description-string
      — no description
      — class class-id
        — max-queue-size queue-size
        — no max-queue-size
        — mir mir
        — no mir
        — weight weight
        — no weight

config
  — qos
    — [no] network network-policy-id
      — description description-string
      — no description
      — scope {exclusive | template}
      — no scope
      — egress

```

- [no] **fc** *fc-name*
 - **de-mark** [**force** *de-value*]
 - **no de-mark**
 - **dot1p** *dot1p-priority*
 - **no dot1p**
 - **dot1p-in-profile** *dot1p-priority*
 - **no dot1p-in-profile**
 - **dot1p-out-profile** *dot1p-priority*
 - **no dot1p-out-profile**
 - **dscp-in-profile** *dscp-name*
 - **no dscp-in-profile**
 - **dscp-out-profile** *dscp-name*
 - **no dscp-out-profile**
 - **lsp-exp-in-profile** *lsp-exp-value*
 - **no lsp-exp-in-profile**
 - **lsp-exp-out-profile** *lsp-exp-value*
 - **no lsp-exp-out-profile**
 - **policer** *policer-id* [**queue** *queue-id*]
 - **port-redirect-group** {**queue** *queue-id* | **policer** *policer-id* [**queue** *queue-id*]}
 - **no port-redirect-group**
- **dscp** *dscp-name* [**fc** *fc-name*] [**profile** {**in** | **out**}]
- **no dscp** *dscp-name*
- **prec** *ip-prec-value* [**fc** *fc-name*] [**profile** {**in** | **out**}]
- **no prec** *ip-prec-value*
- [no] **remarking** [**force**]
- **ingress**
 - **default-action** **fc** *fc-name* **profile** {**in** | **out**}
 - **dot1p** *dot1p-priority* **fc** *fc-name* **profile** {**in** | **out** | **use-de**}
 - **no dot1p** *dot1p-priority*
 - **dscp** *dscp-name* **fc** *fc-name* **profile** {**in** | **out**}
 - **no dscp** *dscp-name*
 - [no] **fc** *fc-name*
 - **fp-redirect-group** **broadcast-policer** *policer-id*
 - **no fp-redirect-group** **broadcast-policer**
 - **fp-redirect-group** **policer** *policer-id*
 - **no fp-redirect-group** **policer**
 - **fp-redirect-group** **mcast-policer** *policer-id*
 - **no fp-redirect-group** **mcast-policer** *policer-id*
 - **fp-redirect-group** **unknown-policer** *policer-id*
 - **no fp-redirect-group** **unknown-policer**
- [no] **ip-criteria**
 - **entry** *entry-id* [**create**]
 - **no entry** *entry-id*
 - **action** [**fc** *fc-name*] [**profile** {**in** | **out**}]
 - **no action**
 - **description** *description-string*
 - **no description**
 - **match** [**protocol** *protocol-id*]
 - **no match**
 - **dscp** [**protocol** *protocol-id*]
 - **no dscp**
 - **dst-ip** {*ip-address/mask* | *ip-address netmask*}
 - **no dst-ip**

- **dst-port** {lt | gt | eq} *dst-port-number*
- **dst-port range** *start end*
- **no dst-port**
- **fragment** *start end*
- **no fragment**
- **src-ip** {*ip-address/mask* | **ip-address** *ipv4-address-mask* | **ip-prefix-list** *prefix-list-name*}
- **no src-ip**
- **src-port** {lt | gt | eq} *src-port-number*
- **no src-port** *start end*
- **renum** [*old-entry-id new-entry-id*]
- [no] **ipv6-criteria**
 - **entry** *entry-id* [**create**]
 - **no entry** *entry-id*
 - **action** [*fc fc-name*] [**profile** {in | out}]
 - **no action**
 - **description** *description-string*
 - **no description**
 - **match** [**next-header** *next-header*]
 - **no match**
 - **dscp** [**protocol** *protocol-id*]
 - **no dscp**
 - **dst-ip** {*ipv6-address/prefix-length* | **ipv6-address** *ipv6-address-mask*}
 - **no dst-ip**
 - **dst-port** {lt | gt | eq} *dst-port-number*
 - **dst-port range** *start end*
 - **no dst-port**
 - **fragment** {true | false | first-only | non-first-only}
 - **no fragment**
 - **src-ip** {*ipv6-address/prefix-length* | **ipv6-address** *ipv6-address-mask*}
 - **no src-ip**
 - **src-port** {lt | gt | eq} *src-port-number*
 - **no src-port** *start end*
 - **renum** [*old-entry-id new-entry-id*]
- [no] **ler-use-dscp**
- **lsp-exp** *lsp-exp-value* **fc** *fc-name* **profile** {in | out}
- **no lsp-exp** *lsp-exp-value*

Self-Generated Traffic Commands

- ```

config
 — service
 — vprn
 — sgt-qos
 — application dscp-app-name dscp {dscp-value | dscp-name}
 — application dot1p-app-name dot1p dot1p-priority
 — no application {dscp-app-name | dot1p-app-name}
 — dscp dscp-name fc fc-name
 — no dscp dscp-name

```

## Network QoS Policy Command Reference

- **router**
  - **sgt-qos**
    - **application** *dscp-app-name* **dscp** {*dscp-value* | *dscp-name*}
    - **application** *dot1p-app-name* **dot1p** *dot1p-priority*
    - **no application** {*dscp-app-name* | *dot1p-app-name*}
    - **dscp** *dscp-name* **fc** *fc-name*
    - **no dscp** *dscp-name*

## Operational Commands

- config**
  - **qos**
    - **copy network** *src-pol* *dst-pol* [**overwrite**]

## Show Commands

- show**
  - **qos**
    - **dscp-table** **value** *dscp-value*
    - **mc-fr-profile-ingress** [**detail**]
    - **mc-fr-profile-egress** [**detail**]
    - **network** *policy-id* [**detail**]
  - **router**
    - **sgt-qos**
      - **application** [*app-name*] [**dscp** | **dot1p**]
    - **dscp-map** [*dscp-name*]

## Command Descriptions

### Configuration Commands

#### Generic Commands

##### description

|                    |                                                                                                                                                                                                                                                                                                                                                      |
|--------------------|------------------------------------------------------------------------------------------------------------------------------------------------------------------------------------------------------------------------------------------------------------------------------------------------------------------------------------------------------|
| <b>Syntax</b>      | <b>description</b> <i>description-string</i><br><b>no description</b>                                                                                                                                                                                                                                                                                |
| <b>Context</b>     | config>qos>network policy-id                                                                                                                                                                                                                                                                                                                         |
| <b>Description</b> | This command creates a text description stored in the configuration file for a configuration context.<br><br>The <b>description</b> command associates a text string with a configuration context to help identify the context in the configuration file.<br><br>The <b>no</b> form of this command removes any description string from the context. |
| <b>Default</b>     | No description is associated with the configuration context.                                                                                                                                                                                                                                                                                         |
| <b>Parameters</b>  | <i>description-string</i> — A text string describing the entity. Allowed values are any string up to 80 characters long composed of printable, 7-bit ASCII characters. If the string contains special characters (#, \$, spaces, etc.), the entire string must be enclosed within double quotes.                                                     |

### Operational Commands

##### copy

|                    |                                                                                                                                                                                                                                                                                            |
|--------------------|--------------------------------------------------------------------------------------------------------------------------------------------------------------------------------------------------------------------------------------------------------------------------------------------|
| <b>Syntax</b>      | <b>copy network</b> <i>src-pol dst-pol</i> [ <b>overwrite</b> ]                                                                                                                                                                                                                            |
| <b>Context</b>     | config>qos                                                                                                                                                                                                                                                                                 |
| <b>Description</b> | This command copies existing QoS policy entries for a QoS policy-id to another QoS policy-id.<br><br>The <b>copy</b> command is used to create new policies using existing policies and also allows bulk modifications to an existing policy with the use of the <b>overwrite</b> keyword. |

## Network QoS Policy Command Reference

**Parameters**     **network** *src-pol dst-pol* — Indicates that the source and destination policies are network policy IDs. Specify the source policy that the copy command will copy and specify the destination policy to which the command will duplicate the policy to a new or different policy ID.

**Values**        1 to 65535

**overwrite** — Specifies to replace the existing destination policy. Everything in the existing destination policy will be overwritten with the contents of the source policy. If **overwrite** is not specified, an error will occur if the destination policy ID exists.

```
SR>config>qos# copy network 1 427
MINOR: CLI Destination "427" exists use {overwrite}.
SR>config>qos# copy network 1 427 overwrite
```

## scope

**Syntax**        **scope {exclusive | template}**  
**no scope**

**Context**       config>qos>network

**Description**   This command configures the network policy scope as exclusive or template. The policy's scope cannot be changed if the policy is applied to an interface.

The **no** form of this command sets the scope of the policy to the default of **template**.

**Default**        template

**Parameters**   **exclusive** — When the scope of a policy is defined as exclusive, the policy can only be applied to one interface. If a policy with an exclusive scope is assigned to a second interface an error message is generated. If the policy is removed from the exclusive interface, it will become available for assignment to another exclusive interface.

The system default policies cannot be put into the exclusive scope. An error will be generated if scope exclusive is executed in any policies with a policy-id equal to 1.

**template** — When the scope of a policy is defined as template, the policy can be applied to multiple interfaces on the router.

Default QoS policies are configured with template scopes. An error is generated if you try to modify the template scope parameter to exclusive scope on default policies.

## Multi-Link Frame Relay Commands

The commands described in this section apply only to the 7450 ESS and 7750 SR.

## mc-fr-profile-ingress

**Syntax**        [no] **mc-fr-profile-ingress** *profile-id*

|                    |                                                                                                                                                                                                                                                                   |
|--------------------|-------------------------------------------------------------------------------------------------------------------------------------------------------------------------------------------------------------------------------------------------------------------|
| <b>Context</b>     | config>qos                                                                                                                                                                                                                                                        |
| <b>Description</b> | This command creates a profile for the user to configure the ingress QoS parameters of a Multi-Link Frame Relay (MLFR) bundle. A maximum of 128 ingress QoS profiles may be created on the system.<br><br>The <b>no</b> form of this command deletes the profile. |
| <b>Default</b>     | none                                                                                                                                                                                                                                                              |
| <b>Parameters</b>  | <i>profile-id</i> — Specifies the profile number.<br><br><b>Values</b> 1 to 65535                                                                                                                                                                                 |

## class

|                    |                                                                                                                                                                                             |
|--------------------|---------------------------------------------------------------------------------------------------------------------------------------------------------------------------------------------|
| <b>Syntax</b>      | <b>class</b> <i>class-id</i>                                                                                                                                                                |
| <b>Context</b>     | config>qos>mc-fr-profile-ingress<br>config>qos>mc-fr-profile-egress                                                                                                                         |
| <b>Description</b> | This command provides the Frame Relay scheduling class context for the user to configure the ingress or egress QoS parameters of an MLFR bundle or an FRF.12 UNI/NNI link for this profile. |
| <b>Default</b>     | none                                                                                                                                                                                        |
| <b>Parameters</b>  | <i>class-id</i> — Specifies the Frame Relay scheduling class number.<br><br><b>Values</b> 0 to 3                                                                                            |

## reassembly-timeout

|                    |                                                                                                          |
|--------------------|----------------------------------------------------------------------------------------------------------|
| <b>Syntax</b>      | <b>reassembly-timeout</b> <i>timeout-value</i><br><b>no reassembly-timeout</b>                           |
| <b>Context</b>     | config>qos>mc-fr-profile-ingress>class                                                                   |
| <b>Description</b> | This command configures the value of the MLFR bundle ingress per-class reassembly timer for the profile. |
| <b>Default</b>     | Class 0=10 msec<br><br>Class 1=10 msec<br><br>Class 2=100 msec<br><br>Class 3=1000 msec                  |
| <b>Parameters</b>  | <i>timeout-value</i> — Specifies the timeout value, in milliseconds.<br><br><b>Values</b> 1 to 1000      |

### mc-fr-profile-egress

|                    |                                                                                                                                                                                                                                                                  |
|--------------------|------------------------------------------------------------------------------------------------------------------------------------------------------------------------------------------------------------------------------------------------------------------|
| <b>Syntax</b>      | <b>[no] mc-fr-profile-egress</b> <i>profile-id</i>                                                                                                                                                                                                               |
| <b>Context</b>     | config>qos                                                                                                                                                                                                                                                       |
| <b>Description</b> | This command creates a profile for the user to configure the egress QoS parameters of an MLFR bundle or an FRF.12 UNI/NNI link. A maximum of 128 egress QoS egress profile may be created on the system.<br><br>The no form of this command deletes the profile. |
| <b>Default</b>     | none                                                                                                                                                                                                                                                             |
| <b>Parameters</b>  | <i>profile-id</i> — Specifies the profile number.<br><b>Values</b> 1 to 65535                                                                                                                                                                                    |

### max-queue-size

|                    |                                                                                                                             |
|--------------------|-----------------------------------------------------------------------------------------------------------------------------|
| <b>Syntax</b>      | <b>max-queue-size</b> <i>queue-size</i><br><b>no max-queue-size</b>                                                         |
| <b>Context</b>     | config>qos>mc-fr-profile-egress>class                                                                                       |
| <b>Description</b> | This command configures the maximum size for each Frame Relay scheduling class queue for this profile.                      |
| <b>Default</b>     | Class 0=10<br>Class 1=50<br>Class 2=150<br>Class 3=750                                                                      |
| <b>Parameters</b>  | <i>queue-size</i> — Specifies the number, in milliseconds, of the available link or bundle rate.<br><b>Values</b> 1 to 1000 |

### mir

|                    |                                                                                                                                          |
|--------------------|------------------------------------------------------------------------------------------------------------------------------------------|
| <b>Syntax</b>      | <b>mir</b> <i>mir</i><br><b>no mir</b>                                                                                                   |
| <b>Context</b>     | config>qos>mc-fr-profile-egress>class                                                                                                    |
| <b>Description</b> | This command configures the minimum information rate scheduling parameter for each Frame Relay scheduling class queues for this profile. |

|                   |                                                                             |
|-------------------|-----------------------------------------------------------------------------|
| <b>Default</b>    | 90% for all classes                                                         |
| <b>Parameters</b> | <i>mir</i> — Specifies the percentage of the available link or bundle rate. |
| <b>Values</b>     | 1 to 100                                                                    |

## weight

|                    |                                                                                                                           |
|--------------------|---------------------------------------------------------------------------------------------------------------------------|
| <b>Syntax</b>      | <b>weight</b> <i>weight</i><br><b>no weight</b>                                                                           |
| <b>Context</b>     | config>qos>mc-fr-profile-egress>class                                                                                     |
| <b>Description</b> | This command configures the WRR weight scheduling parameter for each Frame Relay scheduling class queue for this profile. |
| <b>Default</b>     | Class 0=N/A<br>Class 1=1 (not configurable)<br>Class 2=89<br>Class 3=10                                                   |
| <b>Parameters</b>  | <i>weight</i> — Specifies the weight schedule.                                                                            |
| <b>Values</b>      | 1 to 100                                                                                                                  |

## Network QoS Policy Commands

### network

|                    |                                                                                                                                                                                                                                                                                                                                                                                                                                                                                                                                                                                                                                                                                             |
|--------------------|---------------------------------------------------------------------------------------------------------------------------------------------------------------------------------------------------------------------------------------------------------------------------------------------------------------------------------------------------------------------------------------------------------------------------------------------------------------------------------------------------------------------------------------------------------------------------------------------------------------------------------------------------------------------------------------------|
| <b>Syntax</b>      | <b>network</b> <i>network-policy-id</i> [ <b>create</b> ]<br><b>no network</b> <i>network-policy-id</i>                                                                                                                                                                                                                                                                                                                                                                                                                                                                                                                                                                                     |
| <b>Context</b>     | config>qos                                                                                                                                                                                                                                                                                                                                                                                                                                                                                                                                                                                                                                                                                  |
| <b>Description</b> | This command creates or edits a QoS network policy. The network policy defines the treatment IP or MPLS packets receive as they ingress and egress the network port.<br><br>The QoS network policy consists of an ingress and egress component. The ingress component of the policy defines how DiffServ code points and MPLS EXP bits are mapped to internal forwarding class and profile state. The forwarding class and profile state define the Per Hop Behavior (PHB) or the QoS treatment through the router. The mapping on each network interface defaults to the mappings defined in the default network QoS policy until an explicit policy is defined for the network interface. |

## Network QoS Policy Command Reference

The egress component of the network QoS policy defines the queuing parameters associated with each forwarding class. Each of the forwarding classes defined within the system automatically creates a queue on each network interface. This queue gets all the parameters defined within the default network QoS policy 1 until an explicit policy is defined for the network interface access uplink port. If the egressing packet originated on an ingress SAP, or the remarking parameter is defined for the egress interface, the egress QoS policy also defines the IP DSCP or MPLS EXP bit marking based on the forwarding class and the profile state.

Network **policy-id 1** exists as the default policy that is applied to all network interfaces by default. The network **policy-id 1** cannot be modified or deleted. It defines the default DSCP-to-FC mapping and MPLS EXP-to-FC mapping and for the ingress. For the egress, it defines six forwarding classes which represent individual queues and the packet marking criteria.

Network policy-id 1 exists as the default policy that is applied to all network ports by default. This default policy cannot be modified or deleted. It defined the default DSCP-to-FC mapping and default unicast meters for ingress IP traffic. For the egress, it defines the forwarding class to Dot1p and DSCP values and the packet marking criteria.

If a new network policy is created (for instance, policy-id 3), only the default action and egress forwarding class parameters are identical to the default policy. A new network policy does not contain the default DSCP-to-FC and MPLS-EXP-to-FC mapping for network QoS policy of type **ip-interface** or the DSCP-to-FC mapping (for network QoS policy of type **port**). The default network policy can be copied (use the copy command) to create a new network policy that includes the default ingress DSCP-to-FC and MPLS EXP-to-FC mapping (as appropriate). You can modify parameters or use the **no** modifier to remove an object from the configuration.

Any changes made to an existing policy, using any of the sub-commands, will be applied immediately to all network interfaces where this policy is applied. For this reason, when many changes are required on a policy, it is highly recommended that the policy be copied to a work area policy-id. That work-in-progress policy can be modified until complete and then written over the original policy-id. Use the config qos copy command to maintain policies in this manner.

The **no** form of this command deletes the network policy. A policy cannot be deleted until it is removed from all entities where it is applied. The default network **policy policy-id 1** cannot be deleted.

|                   |                                                                                        |
|-------------------|----------------------------------------------------------------------------------------|
| <b>Default</b>    | System Default Network Policy 1                                                        |
| <b>Parameters</b> | <i>network-policy-id</i> — The policy-id uniquely identifies the policy on the router. |
| <b>Default</b>    | none                                                                                   |
| <b>Values</b>     | 1 to 65535                                                                             |

## Network Ingress QoS Policy Commands

### ingress

**Syntax**    **ingress**



**Context** config>qos>network

**Description** This command is used to enter the CLI node that creates or edits policy entries that specify the DiffServ code points to forwarding class mapping for all IP packets and define the MPLS EXP bits to forwarding class mapping for all labeled packets.

When premarked IP or MPLS packets ingress on a network port, they get a Per Hop Behavior (that is, the QoS treatment through the router-based on the mapping defined under the current node.

## default-action

**Syntax** **default-action fc *fc-name* profile {in | out}**

**Context** config>qos>network>ingress

**Description** This command defines or edits the default action to be taken for packets that have an undefined DSCP or MPLS EXP bits set. The **default-action** command specifies the forwarding class to which such packets are assigned.

Multiple default-action commands will overwrite each previous default-action command.

**Default** default-action fc be profile out

**Parameters** **fc *fc-name*** — Specify the forwarding class name. All packets with DSCP value or MPLS EXP or dot1p bits bits that is not defined will be placed in this forwarding class.

**Default** None, the fc name must be specified

**Values** be, l2, af, l1, h2, ef, h1, nc

**profile {in | out}** — All packets that are assigned to this forwarding class will be considered in or out of profile based on this command. In case of congestion, the in-profile packets are preferentially queued over the out-of-profile packets.

**Default** None

**Values** in, out

## ip-criteria

**Syntax** [**no**] **ip-criteria**

**Context** config>qos>network>ingress

**Description** IP criteria-based network ingress policies are used to select the appropriate ingress queue and corresponding forwarding class for matched traffic. This command is used to enter the context to create or edit policy entries that specify IP criteria such as IP quintuple lookup or DiffServ code point.

The 7750 SR OS implementation will exit on the first match found and execute the actions in accordance with the accompanying action command. For this reason, entries must be sequenced correctly from most to least explicit.

## Network QoS Policy Command Reference

The classification only applies to the outer IP header of non-tunneled traffic. The only exception is for traffic received on a Draft Rosen tunnel for which classification on the outer IP header only is supported.

Attempting to apply a network QoS policy containing an **ip-criteria** statement to any object except a network IP interface will result in an error.

The **no** form of this command deletes all the entries specified under this node. Once IP criteria entries are removed from a network ingress policy, the IP criteria is removed from all network interfaces where that policy is applied. This command is supported on FP2 and higher based hardware and is otherwise ignored.

### ipv6-criteria

|                    |                                                                                                                                                                                                                                                                                                                                                                                                                                                                                                                                                                                                                                                                                                                                                                                                                                                                                                                                                                                                                                                                                                                                                                         |
|--------------------|-------------------------------------------------------------------------------------------------------------------------------------------------------------------------------------------------------------------------------------------------------------------------------------------------------------------------------------------------------------------------------------------------------------------------------------------------------------------------------------------------------------------------------------------------------------------------------------------------------------------------------------------------------------------------------------------------------------------------------------------------------------------------------------------------------------------------------------------------------------------------------------------------------------------------------------------------------------------------------------------------------------------------------------------------------------------------------------------------------------------------------------------------------------------------|
| <b>Syntax</b>      | <b>[no] ipv6-criteria</b>                                                                                                                                                                                                                                                                                                                                                                                                                                                                                                                                                                                                                                                                                                                                                                                                                                                                                                                                                                                                                                                                                                                                               |
| <b>Context</b>     | config>qos>network>ingress                                                                                                                                                                                                                                                                                                                                                                                                                                                                                                                                                                                                                                                                                                                                                                                                                                                                                                                                                                                                                                                                                                                                              |
| <b>Description</b> | <p>IP criteria-based network ingress policies are used to select the appropriate ingress queue and corresponding forwarding class for matched traffic. This command is used to enter the context to create or edit policy entries that specify IPv6 criteria such as IP quintuple lookup or DiffServ code point.</p> <p>The 7750 SR OS implementation will exit on the first match found and execute the actions in accordance with the accompanying action command. For this reason, entries must be sequenced correctly from most to least explicit.</p> <p>The classification only applies to the outer IPv6 header of non-tunneled traffic.</p> <p>Attempting to apply a network QoS policy containing an <b>ipv6-criteria</b> statement to any object except a network IP interface will result in an error.</p> <p>The <b>no</b> form of this command deletes all the entries specified under this node. Once IP criteria entries are removed from a network ingress policy, the IP criteria is removed from all network interfaces where that policy is applied.</p> <p>This command is supported on FP2 and higher based hardware and is otherwise ignored.</p> |

### action

|                    |                                                                                                                       |
|--------------------|-----------------------------------------------------------------------------------------------------------------------|
| <b>Syntax</b>      | <b>action [fc <i>fc-name</i>] [profile {in   out}]</b><br><b>no action</b>                                            |
| <b>Context</b>     | config>qos>network>ingress>ip-criteria>entry<br>config>qos>network>ingress>ipv6-criteria>entry                        |
| <b>Description</b> | This mandatory command associates the forwarding class and packet profile with specific IP or IPv6 criteria entry ID. |

Packets that meet all match criteria within the entry have their forwarding class and packet profile set based on the parameters included in the action parameters.

The action command must be executed for the match criteria to be added to the active list of entries.

Each time action is executed on a specific entry ID, the previous entered values for `fc fc-name` and `profile` are overridden with the newly defined parameters.

The **no** form of the command removes the entry from the active entry list. Removing an entry on a policy immediately removes the entry from all network interfaces using the policy. All previous parameters for the action are lost.

**Default** Action specified by the `default-action`.

**Parameters** `fc fc-name` — The value given for `fc fc-name` must be one of the predefined forwarding classes in the system. Specifying the `fc fc-name` is required. When a packet matches the rule, the forwarding class is assigned to the specified forwarding class.

**Values** `fc: class`  
`class: be, l2, af, l1, h2, ef, h1, nc`

**Default** Inherit (When `fc fc-name` is not defined, the rule preserves the previous forwarding class of the packet.)

**profile {in | out}** — The profile reclassification action is mandatory. Packets matching the IP flow reclassification entry will be explicitly reclassified to either in-profile or out-of-profile.

## entry

**Syntax** `entry entry-id [create]`  
`no entry entry-id`

**Context** `config>qos>network>ingress>ip-criteria`  
`config>qos>network>ingress>ipv6-criteria`

**Description** This command is used to create or edit an IP or IPv6 criteria entry for the policy. Multiple entries can be created using unique `entry-id` numbers.

The list of flow criteria is evaluated in a top down fashion with the lowest entry ID at the top and the highest entry ID at the bottom. If the defined match criteria for an entry within the list matches the information in the ingress packet, the system stops matching the packet against the list and performs the matching entries reclassification actions. If none of the entries match the packet, the IP flow reclassification list has no effect on the packet.

An entry is not populated in the list unless the action command is executed for the entry. An entry that is not populated in the list has no effect on ingress packets. If the action command is executed without any explicit reclassification actions specified, the entry is populated in the list allowing packets matching the entry to exit the list, preventing them from matching entries lower in the list. Since this is the only flow reclassification entry that the packet matched and this entry explicitly states that no reclassification action is to be performed, the matching packet will not be reclassified.

## Network QoS Policy Command Reference

The **no** form of this command removes the specified entry from the policy. Entries removed from the policy are immediately removed from all services where that policy is applied.

**Default** none

**Parameters** *entry-id* — The entry-id, expressed as an integer, uniquely identifies a match criterion and the corresponding action. It is recommended that multiple entries be given entry-ids in staggered increments. This allows users to insert a new entry in an existing policy without requiring renumbering of all the existing entries.

An entry cannot have any match criteria defined (in which case, everything matches) but must have at least the keyword action fc fc-name profile {in | out} ] for it to be considered complete. Entries without the action keyword will be considered incomplete and hence will be rendered inactive.

**Values** 1 to 65535

**Default** none

**create** — Required parameter when creating a flow entry when the system is configured to require the explicit use of the keyword to prevent accidental object creation. Objects may be accidentally created when this protection is disabled and an object name is mistyped when attempting to edit the object. This keyword is not required when the protection is disabled. The keyword is ignored when the flow entry already exists.

## match

**Syntax** **match [protocol protocol-id]**  
**[no] match**

**Context** config>qos>network>ingress>ip-criteria>entry

**Description** This command creates a context to configure match criteria for an ingress network QoS policy match criteria. When the match criteria have been satisfied the action associated with the match criteria is executed.

If more than one match criteria (within one match statement) are configured then all criteria must be satisfied (AND function) before the action associated with the match is executed.

A match context can consist of multiple match criteria, but multiple match statements cannot be entered per entry.

It is possible that a network QoS policy includes the dscp map command, the dot1p map command, and an IP match criteria. When multiple matches occur for the traffic, the order of precedence is used to arrive at the final action. The order of precedence is as follows:

802.1p bits

- DSCP
- IP Quintuple

The **no** form of this command removes the match criteria for the entry-id.

- Parameters** **protocol** *protocol-id* — Specifies an IP protocol to be used as an ingress network QoS policy match criterion.
- The protocol type such as TCP / UDP / OSPF is identified by its respective protocol number. Well-known protocol numbers include ICMP(1), TCP(6), UDP(17).
- Values** protocol-id: 0 to 255 protocol numbers accepted in DHB  
 keywords: none, crtp, crudp, egp, eigrp, encap, ether-ip, gre, icmp, idrp, igmp, igp, ip, ipv6, ipv6-frag, ipv6-icmp, ipv6-no-nxt, ipv6-opts, ipv6-route, isis, iso-ip, l2tp, ospf-igp, pim, pnni, ptp, rdp, rsvp, stp, tcp, udp, vrrp  
 \* — udp/tcp wildcard

**Table 20: Protocol ID descriptions**

| Protocol    | Protocol ID | Description                                                 |
|-------------|-------------|-------------------------------------------------------------|
| icmp        | 1           | Internet Control Message                                    |
| igmp        | 2           | Internet Group Management                                   |
| ip          | 4           | IP in IP (encapsulation)                                    |
| tcp         | 6           | Transmission Control                                        |
| egp         | 8           | Exterior Gateway Protocol                                   |
| igp         | 9           | any private interior gateway (used by Cisco for their IGRP) |
| udp         | 17          | User Datagram                                               |
| rdp         | 27          | Reliable Data Protocol                                      |
| ipv6        | 41          | IPv6                                                        |
| ipv6-route  | 43          | Routing Header for IPv6                                     |
| ipv6-frag   | 44          | Fragment Header for IPv6                                    |
| idrp        | 45          | Inter-Domain Routing Protocol                               |
| rsvp        | 46          | Reservation Protocol                                        |
| gre         | 47          | General Routing Encapsulation                               |
| ipv6-icmp   | 58          | ICMP for IPv6                                               |
| ipv6-no-nxt | 59          | No Next Header for IPv6                                     |
| ipv6-opts   | 60          | Destination Options for IPv6                                |
| iso-ip      | 80          | ISO Internet Protocol                                       |
| eigrp       | 88          | EIGRP                                                       |
| ospf-igp    | 89          | OSPF-IGP                                                    |

**Table 20: Protocol ID descriptions (Continued)**

| Protocol | Protocol ID | Description                        |
|----------|-------------|------------------------------------|
| ether-ip | 97          | Ethernet-within-IP Encapsulation   |
| encap    | 98          | Encapsulation Header               |
| pnni     | 102         | PNNI over IP                       |
| pim      | 103         | Protocol Independent Multicast     |
| vrrp     | 112         | Virtual Router Redundancy Protocol |
| l2tp     | 115         | Layer Two Tunneling Protocol       |
| stp      | 118         | Schedule Transfer Protocol         |
| ptp      | 123         | Performance Transparency Protocol  |
| isis     | 124         | ISIS over IPv4                     |
| crtip    | 126         | Combat Radio Transport Protocol    |
| crudp    | 127         | Combat Radio User Datagram         |

## match

**Syntax** `match [next-header next-header]`  
**no match**

**Context** `config>qos>network>ingress>ipv6-criteria>entry`

**Description** This command creates a context to configure match criteria for a network QoS policy match IPv6 criteria. When the match criteria have been satisfied the action associated with the match criteria is executed.

If more than one match criteria (within one match statement) are configured, then all criteria must be satisfied (AND function) before the action associated with the match is executed.

A match context can consist of multiple match criteria, but multiple match statements cannot be entered per entry.

It is possible that a network ingress policy includes the dscp map command, the dot1p map command, and an IPv6 match criteria. When multiple matches occur for the traffic, the order of precedence is used to arrive at the final action. The order of precedence is as follows:

802.1p bits

- DSCP
- IP Quintuple

The **no** form of this command removes the match criteria for the entry-id.

|                   |                                                                                                                                                                                                                                                                                                                                                                                                                                                                                                                                                                                           |
|-------------------|-------------------------------------------------------------------------------------------------------------------------------------------------------------------------------------------------------------------------------------------------------------------------------------------------------------------------------------------------------------------------------------------------------------------------------------------------------------------------------------------------------------------------------------------------------------------------------------------|
| <b>Parameters</b> | <p><b>next-header</b> <i>next-header</i> — Specifies the next header to match.</p> <p>The protocol type such as TCP / UDP / OSPF is identified by its respective protocol number. Well-known protocol numbers include ICMP(1), TCP(6), UDP(17).</p> <p><b>Values</b> protocol numbers accepted in DHB: 0 to 42, 45 to 49, 52 to 59, 61 to 255</p> <p>keywords: none, crtp, crudp, egp, eigrp, encap, ether-ip, gre, icmp, idrp, igmp, igp, ip, ipv6, ipv6-icmp, ipv6-no-nxt, isis, iso-ip, l2tp, ospf-igp, pim, pnni, ptp, rdp, rsvp, stp, tcp, udp, vrrp</p> <p>* — udp/tcp wildcard</p> |
|-------------------|-------------------------------------------------------------------------------------------------------------------------------------------------------------------------------------------------------------------------------------------------------------------------------------------------------------------------------------------------------------------------------------------------------------------------------------------------------------------------------------------------------------------------------------------------------------------------------------------|

## dscp

|                    |                                                                                                                                                                                                                                                                                                                                                                                                                                                                                                                                                                                 |
|--------------------|---------------------------------------------------------------------------------------------------------------------------------------------------------------------------------------------------------------------------------------------------------------------------------------------------------------------------------------------------------------------------------------------------------------------------------------------------------------------------------------------------------------------------------------------------------------------------------|
| <b>Syntax</b>      | <p><b>dscp</b> <i>dscp-name</i></p> <p><b>no dscp</b></p>                                                                                                                                                                                                                                                                                                                                                                                                                                                                                                                       |
| <b>Context</b>     | <p>config&gt;qos&gt;network&gt;ingress&gt;ip-criteria&gt;entry&gt;match</p> <p>config&gt;qos&gt;network&gt;ingress&gt;ipv6-criteria&gt;entry&gt;match</p>                                                                                                                                                                                                                                                                                                                                                                                                                       |
| <b>Description</b> | <p>This command configures a DiffServ Code Point (DSCP) code point to be used as a network ingress QoS policy match criterion.</p> <p>The <b>no</b> form of this command removes the DSCP match criterion.</p>                                                                                                                                                                                                                                                                                                                                                                  |
| <b>Parameters</b>  | <p><i>dscp-name</i> — Specifies a dscp name that has been previously mapped to a value using the dscp-name command. The DiffServ code point can only be specified by its name.</p> <p><b>Values</b> be, cp1, cp2, cp3, cp4, cp5, cp6, cp7, cs1, cp9, af11, cp11, af12, cp13, af13, cp15, cs2, cp17, af21, cp19, af22, cp21, af23, cp23, cs3, cp25, af31, cp27, af32, cp29, af33, cp31, cs4, cp33, af41, cp35, af42, cp37, af43, cp39, cs5, cp41, cp42, cp43, cp44, cp45, cp47, nc1, cp49, cp50, cp51, cp52, cp53, cp54, cp55, nc2, cp57, cp58, cp59, cp60, cp61, cp62, cp63</p> |

## dst-ip

|                    |                                                                                                                                                                                                                                                                                                        |
|--------------------|--------------------------------------------------------------------------------------------------------------------------------------------------------------------------------------------------------------------------------------------------------------------------------------------------------|
| <b>Syntax</b>      | <p><b>dst-ip</b> {<i>ip-address/mask</i>   <i>ip-address netmask</i>}</p> <p><b>dst-ip</b> {<i>ipv6-address/prefix-length</i>   <b>ipv6-address</b> <i>ipv6-address-mask</i>}</p> <p><b>no dst-ip</b></p>                                                                                              |
| <b>Context</b>     | <p>config&gt;qos&gt;network&gt;ingress&gt;ip-criteria&gt;entry&gt;match</p> <p>config&gt;qos&gt;network&gt;ingress&gt;ipv6-criteria&gt;entry&gt;match</p>                                                                                                                                              |
| <b>Description</b> | <p>This command configures a destination address range to be used as a network ingress QoS policy match criterion.</p> <p>To match on the destination address, specify the address and its associated mask, e.g., 10.1.0.0/16. The conventional notation of 10.1.0.0 255.255.0.0 can also be used.</p> |

## Network QoS Policy Command Reference

The **no** form of this command removes the destination IP address match criterion.

**Parameters** *ip-address* — The IP address of the destination IP or IPv6 interface. This address must be unique within the subnet and specified in dotted decimal notation.

**Values**

ip-address: a.b.c.d  
ipv6-address: x:x:x:x:x:x:x (eight 16-bit pieces)  
x:x:x:x:x:d.d.d.d  
x: [0 to FFFF]H  
d: [0 to 255]D  
prefix-length: 1 to 128

### dst-port

**Syntax** **dst-port** {**lt** | **gt** | **eq**} *dst-port-number*  
**dst-port range** *start end*  
**no dst-port**

**Context** config>qos>network>ingress>ip-criteria>entry>match  
config>qos>network>ingress>ipv6-criteria>entry>match

**Description** This command configures a destination TCP or UDP port number or port range for a network ingress QoS policy match criterion.

The **no** form of this command removes the destination port match criterion.

**Default** none

**Parameters** **lt** | **gt** | **eq** *dst-port-number* — The TCP or UDP port numbers to match specified as less than (lt), greater than (gt) or equal to (eq) to the destination port value specified as a decimal integer.

**Values** 1 to 65535 (decimal)

**range** *start end* — The range of TCP or UDP port values to match specified as between the start and end destination port values inclusive.

**Values** 1 to 65535 (decimal)

### fragment

**Syntax** **fragment** {**true** | **false**}  
**no fragment**

**Context** config>qos>ingress>ip-criteria>entry>match

**Description** This command configures fragmented or non-fragmented IP packets as a network ingress QoS policy match criterion.



The **no** form of this command removes the match criterion and matches all packets regardless of whether they are fragmented or not.

- Parameters**
- true** — Configures a match on all fragmented IP packets. A match will occur for all packets that have either the MF (more fragment) bit set OR have the Fragment Offset field of the IP header set to a non-zero value.
  - false** — Configures a match on all non-fragmented IP packets. Non-fragmented IP packets are packets that have the MF bit set to zero and have the Fragment Offset field also set to zero.

## fragment

- Syntax** **fragment** {**true** | **false** | **first-only** | **non-first-only**}  
**no fragment**
- Context** config>qos>network>ingress>ipv6-criteria>entry>match
- Description** This command configures fragmented or non-fragmented IPv6 packets as a network ingress QoS policy match criterion.
- The **no** form of this command removes the match criterion and matches all packets regardless of whether they are fragmented or not.
- Parameters**
- true** — Specifies to match on all fragmented IPv6 packets. A match will occur for all packets that contain an IPv6 Fragmentation Extension Header.
  - false** — Specifies to match on all non-fragmented IP packets. Non-fragmented IPv6 packets are packets that do not contain an IPv6 Fragmentation Extension Header.
  - first-only** — Matches if a packet is an initial fragment of the fragmented IPv6 packet.
  - non-first-only** — Matches if a packet is a non-initial fragment of the fragmented IPv6 packet.

## src-ip

- Syntax** **src-ip** {*ip-address/mask* | **ip-address** *ipv4-address-mask* | **ip-prefix-list** *prefix-list-name*}}  
**src-ip** {*ipv6-address/prefix-length* | **ipv6-address** *ipv6-address-mask*}  
**no src-ip**
- Context** config>qos>network>ingress>ip-criteria>entry>match  
config>qos>network>ingress>ipv6-criteria>entry>match
- Description** This command configures a source IPv4 or IPv6 address range to be used as a network ingress QoS policy match criterion.
- To match on the source IPv4 or IPv6 address, specify the address and its associated mask, for example, 10.1.0.0/16. The conventional notation of 10.1.0.0 255.255.0.0 can also be used for IPv4.
- The **no** form of the command removes the source IPv4 or IPv6 address match criterion.

## Network QoS Policy Command Reference

|                   |                                                                                                                                                                                                                        |
|-------------------|------------------------------------------------------------------------------------------------------------------------------------------------------------------------------------------------------------------------|
| <b>Default</b>    | No source IP match criterion.                                                                                                                                                                                          |
| <b>Parameters</b> | <b>ip-address</b> — Specifies the source IPv4 address specified in dotted decimal notation.<br><b>Values</b> ip-address: a.b.c.d                                                                                       |
|                   | <b>mask</b> — Specifies the length in bits of the subnet mask.<br><b>Values</b> 1 to 32                                                                                                                                |
|                   | <b>ipv4-address-mask</b> — Specifies the subnet mask in dotted decimal notation.<br><b>Values</b> a.b.c.d (dotted quad equivalent of mask length)                                                                      |
|                   | <b>ipv6-address</b> — Specifies the IPv6 prefix for the IP match criterion in hex digits.<br><b>Values</b> ipv6-address: x:x:x:x:x:x:x (eight 16-bit pieces)<br>x:x:x:x:x:d.d.d.d<br>x: [0 to FFFF]H<br>d: [0 to 255]D |
|                   | <b>prefix</b> — Specifies the IPv6 prefix length for the ipv6-address expressed as a decimal integer.<br><b>Values</b> 1 to 128                                                                                        |
|                   | <b>mask</b> — Specifies the eight 16-bit hexadecimal pieces representing bit match criteria.<br><b>Values</b> x:x:x:x:x:x:x (eight 16-bit pieces)                                                                      |

## src-port

|                    |                                                                                                                                                                                                                                                  |
|--------------------|--------------------------------------------------------------------------------------------------------------------------------------------------------------------------------------------------------------------------------------------------|
| <b>Syntax</b>      | <b>src-port</b> {lt   gt   eq} <i>src-port-number</i><br><b>src-port range</b> <i>start end</i>                                                                                                                                                  |
| <b>Context</b>     | config>qos>network>ingress>ip-criteria>entry>match<br>config>qos>network>ingress>ipv6-criteria>entry>match                                                                                                                                       |
| <b>Description</b> | This command configures a source TCP or UDP port number or port range for a network ingress QoS policy match criterion.<br><br>The <b>no</b> form of this command removes the source port match criterion.                                       |
| <b>Default</b>     | No src-port match criterion.                                                                                                                                                                                                                     |
| <b>Parameters</b>  | <b>lt   gt   eq</b> <i>src-port-number</i> — The TCP or UDP port numbers to match specified as less than (lt), greater than (gt) or equal to (eq) to the source port value specified as a decimal integer.<br><b>Values</b> 1 to 65535 (decimal) |
|                    | <b>range</b> <i>start end</i> — The range of TCP or UDP port values to match specified as between the start and end source port values inclusive.<br><b>Values</b> 1 to 65535 (decimal)                                                          |

## dot1p

|                    |                                                                                                                                                                                                                                                                                                                                                                                                                                                                                                                                                                                                                                                                                                                                                                                                                                                                                                                                                                                                                                                                                                                                                                                                                                                                                                                                                                                                                                                                                                                      |
|--------------------|----------------------------------------------------------------------------------------------------------------------------------------------------------------------------------------------------------------------------------------------------------------------------------------------------------------------------------------------------------------------------------------------------------------------------------------------------------------------------------------------------------------------------------------------------------------------------------------------------------------------------------------------------------------------------------------------------------------------------------------------------------------------------------------------------------------------------------------------------------------------------------------------------------------------------------------------------------------------------------------------------------------------------------------------------------------------------------------------------------------------------------------------------------------------------------------------------------------------------------------------------------------------------------------------------------------------------------------------------------------------------------------------------------------------------------------------------------------------------------------------------------------------|
| <b>Syntax</b>      | <b>dot1p</b> <i>dot1p-priority</i> <b>fc</b> <i>fc-name</i> <b>profile</b> { <b>in</b>   <b>out</b>   <b>use-de</b> }<br><b>no dot1p</b> <i>dot1p-priority</i>                                                                                                                                                                                                                                                                                                                                                                                                                                                                                                                                                                                                                                                                                                                                                                                                                                                                                                                                                                                                                                                                                                                                                                                                                                                                                                                                                       |
| <b>Context</b>     | config>qos>network>ingress                                                                                                                                                                                                                                                                                                                                                                                                                                                                                                                                                                                                                                                                                                                                                                                                                                                                                                                                                                                                                                                                                                                                                                                                                                                                                                                                                                                                                                                                                           |
| <b>Description</b> | <p>This command explicitly sets the forwarding class or enqueueing priority and profile of the packet when a packet is marked with a <i>dot1p-priority</i> specified. Adding a dot1p rule on the policy forces packets that match the <i>dot1p-priority</i> specified to override be assigned to the forwarding class and enqueueing priority and profile of the packet based on the parameters included in the Dot1p rule. When the forwarding class is not specified in the rule, a matching packet preserves (or inherits) the existing forwarding class derived from earlier matches in the classification hierarchy. When the enqueueing priority is not specified in the rule, a matching packet preserves (or inherits) the existing enqueueing priority derived from earlier matches in the classification hierarchy.</p> <p>The <i>dot1p-priority</i> is derived from the most significant three bits in the IEEE 802.1q or IEEE 802.1p header. The three dot1p bits define 8 Class-of-Service (CoS) values commonly used to map packets to per-hop Quality-of-Service (QoS) behavior.</p> <p>The <b>no</b> form of this command removes the explicit dot1p classification rule from the policy. Removing the rule on the policy immediately removes the rule on all ingress SAPs using the policy.</p>                                                                                                                                                                                                     |
| <b>Parameters</b>  | <p><i>dot1p-priority</i> — This value is a required parameter that specifies the unique IEEE 802.1p value that will match the dot1p rule. If the command is executed multiple times with the same <i>dot1p-value</i>, the previous forwarding class and enqueueing priority is completely overridden by the new parameters or defined to be inherited when a forwarding class or enqueueing priority parameter is missing.</p> <p>A maximum of eight dot1p rules are allowed on a single policy.</p> <p><b>Values</b> 0 to 7</p> <p><b>fc</b> <i>fc-name</i> — The value given for the <i>fc-name</i> parameter must be one of the predefined forwarding classes in the system. Specifying the <i>fc-name</i> is optional. When a packet matches the rule, the forwarding class is only overridden when the <b>fc</b> <i>fc-name</i> parameter is defined on the rule. If the packet matches and the forwarding class is not explicitly defined in the rule, the forwarding class is inherited based on previous rule matches.</p> <p><b>Values</b> be, l2, af, l1, h2, ef, h1, nc</p> <p><b>profile</b> {<b>in</b>   <b>out</b>   <b>use-de</b>} — All packets that are assigned to this forwarding class will be considered in or out of profile based on this command or to use the DE1 bit to determine the profile of the packets. In case of congestion, the in-profile packets are preferentially queued over the out-of-profile packets.</p> <p><b>Default</b> none, the profile name must be specified.</p> |

## dscp

|               |                                                                                                                                    |
|---------------|------------------------------------------------------------------------------------------------------------------------------------|
| <b>Syntax</b> | <b>dscp</b> <i>dscp-name</i> <b>fc</b> <i>fc-name</i> <b>profile</b> { <b>in</b>   <b>out</b> }<br><b>no dscp</b> <i>dscp-name</i> |
|---------------|------------------------------------------------------------------------------------------------------------------------------------|

## Network QoS Policy Command Reference

- Context** config>qos>network>ingress
- Description** This command creates a mapping between the DiffServ Code Point (DSCP) of the network ingress traffic and the forwarding class.
- Ingress traffic that matches the specified DSCP will be assigned to the corresponding forwarding class. Multiple commands can be entered to define the association of some or all sixty-four DiffServ code points to the forwarding class. For undefined code points, packets are assigned to the forwarding class specified under the **default-action** command.
- The **no** form of this command removes the DiffServ code point to forwarding class association. The **default-action** then applies to that code point value.
- Default** none
- Parameters** *dscp-name* — The name of the DiffServ code point to be associated with the forwarding class. DiffServ code point can only be specified by its name and only an existing DiffServ code point can be specified. The software provides names for the well known code points.
- The system-defined names available are as follows. The system-defined names must be referenced as all lower case exactly as shown in the first column in [Table 21](#) and [Table 22](#) below.
- Additional names to code point value associations can be added using the '**dscp-name dscp-name dscp-value**' command.
- The actual mapping is being done on the *dscp-value*, not the *dscp-name* that references the *dscp-value*. If a second *dscp-name* that references the same *dscp-value* is mapped within the policy, an error will occur. The second name will not be accepted until the first name is removed.

**Table 21: Default DSCP Names to DSCP Value Mapping Table**

| DSCP Name | DSCP Value Decimal | DSCP Value Hexadecimal | DSCP Value Binary |
|-----------|--------------------|------------------------|-------------------|
| nc1       | 48                 | 0x30                   | 0b110000          |
| nc2       | 56                 | 0x38                   | 0b111000          |
| ef        | 46                 | 0x2e                   | 0b101110          |
| af41      | 34                 | 0x22                   | 0b100010          |
| af42      | 36                 | 0x24                   | 0b100100          |
| af43      | 38                 | 0x26                   | 0b100110          |
| af31      | 26                 | 0x1a                   | 0b011010          |
| af32      | 28                 | 0x1c                   | 0b011100          |
| af33      | 30                 | 0x1d                   | 0b011110          |
| af21      | 18                 | 0x12                   | 0b010010          |

**Table 21: Default DSCP Names to DSCP Value Mapping Table (Continued)**

| DSCP Name | DSCP Value Decimal | DSCP Value Hexadecimal | DSCP Value Binary |
|-----------|--------------------|------------------------|-------------------|
| af22      | 20                 | 0x14                   | 0b010100          |
| af23      | 22                 | 0x16                   | 0b010110          |
| af11      | 10                 | 0x0a                   | 0b001010          |
| af12      | 12                 | 0x0c                   | 0b001100          |
| af13      | 14                 | 0x0e                   | 0b001110          |
| default   | 0                  | 0x00                   | 0b000000          |

**Table 22: Default Class Selector Code Points to DSCP Value Mapping Table**

| DSCP Name | DSCP Value Decimal | DSCP Value Hexadecimal | DSCP Value Binary |
|-----------|--------------------|------------------------|-------------------|
| cs7       | 56                 | 0x38                   | 0b111000          |
| cs6       | 48                 | 0x30                   | 0b110000          |
| cs5       | 40                 | 0x28                   | 0b101000          |
| cs4       | 32                 | 0x20                   | 0b100000          |
| cs3       | 24                 | 0x18                   | 0b011000          |
| cs2       | 16                 | 0x10                   | 0b010000          |
| cs1       | 08                 | 0x8                    | 0b001000          |

**fc** *fc-name* — Enter this required parameter to specify the *fc-name* with which the code point will be associated.

**Default** none, for every DSCP value defined, the forwarding class must be indicated.

**Values** be, l2, af, l1, h2, ef, h1, nc

**profile {in | out}** — Enter this required parameter to indicate whether the DiffServ code point value is the in-profile or out-of-profile value.

DSCP values mapping to forwarding classes Expedited (ef), High-1 (h1) and Network-Control (nc) can only be set to in-profile.

## Network QoS Policy Command Reference

DSCP values mapping to forwarding class 'be' can only be set to out-of-profile.

**Default** None, for every DSCP value defined, the profile must be indicated. If a DSCP value is not mapped, the default-action forwarding class and profile state will be used for that value.

**Values** in, out

### fp-redirect-group

**Syntax** **fp-redirect-group broadcast-policer** *policer-id*  
**no fp-redirect-group broadcast-policer**

**Context** config>qos>network>ingress>fc

**Description** This command is used to redirect the FC of a broadcast packet received in a VPLS service over a PW or network IP interface to an ingress forwarding plane queue-group.

It defines the mapping of a FC to a policer-id and redirects the lookup of the policer of the same ID in some ingress forwarding plane queue-group instance. However, the queue-group name and instance are explicitly provided only at the time the network QoS policy is applied to the ingress context of a spoke or mesh SDP or a network IP interface.

The broadcast-policer statement is ignored when the network QoS policy is applied to any object other than a VPLS spoke or mesh SDP or a network IP interface.

The no version of this command removes the redirection of the FC.

**Parameters** *policer policer-id* — The specified *policer-id* must exist within the queue-group template applied to the ingress context of the forwarding plane.

**Values** 1 to 32

### fp-redirect-group

**Syntax** **fp-redirect-group unknown-policer** *policer-id*  
**no fp-redirect-group unknown-policer**

**Context** config>qos>network>ingress>fc

**Description** This command is used to redirect the FC of an unknown packet received in a VPLS service on a PW or network IP interface to an ingress forwarding plane queue-group.

It defines the mapping of a FC to a policer-id and redirects the lookup of the policer of the same ID in some ingress forwarding plane queue-group instance. However, the queue-group name and instance are explicitly provided only at the time the network QoS policy is applied to the ingress context of a VPLS spoke or mesh SDP or a network IP interface.

The unknown-policer statement is ignored when the network QoS policy is applied to any object other than a VPLS spoke or mesh SDP or a network IP interface.

The **no** version of this command removes the redirection of the FC.

**Parameters** *unknown-policer policer-id* — The specified *policer-id* must exist within the queue-group template applied to the ingress context of the forwarding plane.

**Values** 1 to 32

## fp-redirect-group

**Syntax** **fp-redirect-group policer** *policer-id*  
**no fp-redirect-group policer**

**Context** config>qos>network>ingress>fc

**Description** This command is used to redirect the FC of a packet of a PW or network IP interface to an ingress forwarding plane queue-group.

It defines the mapping of a FC to a *policer-id* and redirects the lookup of the policer of the same ID in some ingress forwarding plane queue-group instance. However, the queue-group name and instance are explicitly provided only at the time the network QoS policy is applied to the ingress context of a spoke-sdp or a network IP interface.

The **no** version of this command removes the redirection of the FC.

**Parameters** *policer policer-id* — The specified *policer-id* must exist within the queue-group template applied to the ingress context of the forwarding plane.

**Values** 1 to 8

## fp-redirect-group

**Syntax** **fp-redirect-group mcast-policer** *policer-id*  
**no fp-redirect-group mcast-policer**

**Context** config>qos>network>ingress>fc

**Description** This command is used to redirect the FC of a multicast packet of a PW or network IP interface to an ingress forwarding plane queue-group.

It defines the mapping of a FC to a *policer-id* and redirects the lookup of the policer of the same ID in some ingress forwarding plane queue-group instance. However, the queue-group name and instance are explicitly provided only at the time the network QoS policy is applied to the ingress context of a spoke-sdp or a network IP interface.

The **no** version of this command removes the redirection of the FC.

**Parameters** *mcast policer-id* — The specified *policer-id* must exist within the queue-group template applied to the ingress context of the forwarding plane.

**Values** 1 to 32

## Network QoS Policy Command Reference

### ler-use-dscp

|                    |                                                                                                                                                                                                                                                                                                                                                                                                                                                                                                                                                                                                                                                                                                                                                                                                                                                                                                                                                                                                                                                                                                                                                                                                                                                                                                                                                                                                                                                                                                                         |
|--------------------|-------------------------------------------------------------------------------------------------------------------------------------------------------------------------------------------------------------------------------------------------------------------------------------------------------------------------------------------------------------------------------------------------------------------------------------------------------------------------------------------------------------------------------------------------------------------------------------------------------------------------------------------------------------------------------------------------------------------------------------------------------------------------------------------------------------------------------------------------------------------------------------------------------------------------------------------------------------------------------------------------------------------------------------------------------------------------------------------------------------------------------------------------------------------------------------------------------------------------------------------------------------------------------------------------------------------------------------------------------------------------------------------------------------------------------------------------------------------------------------------------------------------------|
| <b>Syntax</b>      | <b>[no] ler-use-dscp</b>                                                                                                                                                                                                                                                                                                                                                                                                                                                                                                                                                                                                                                                                                                                                                                                                                                                                                                                                                                                                                                                                                                                                                                                                                                                                                                                                                                                                                                                                                                |
| <b>Context</b>     | config>qos>network>ingress                                                                                                                                                                                                                                                                                                                                                                                                                                                                                                                                                                                                                                                                                                                                                                                                                                                                                                                                                                                                                                                                                                                                                                                                                                                                                                                                                                                                                                                                                              |
| <b>Description</b> | <p>This command is used to enable tunnel QoS mapping on all ingress network IP interfaces the network-qos-policy-id is associated with. The command may be defined at anytime after the network QoS policy has been created. Any network IP interfaces currently associated with the policy will immediately start to use the internal IP ToS field of any tunnel terminated IP routed packet received on the interface, ignoring any QoS markings in the tunnel portion of the packet.</p> <p>This attribute provides the ability to ignore the network ingress QoS mapping of a terminated tunnel containing an IP packet that is to be routed to a base router or VPRN destination. This is advantageous when the mapping for the tunnel QoS marking does not accurately or completely reflect the required QoS handling for the IP routed packet. When the mechanism is enabled on an ingress network IP interface, the IP interface will ignore the tunnel's QoS mapping and derive the internal forwarding class and profile based on the precedence or DiffServe Code Point (DSCP) values within the routed IP header ToS field compared to the Network QoS policy defined on the IP interface.</p> <p>The default state is not to enforce tunnel termination IP routed QoS override within the network QoS policy.</p> <p>The <b>no</b> form of the command removes tunnel termination IP routed QoS override from the network QoS policy and all ingress network IP interfaces associated with the policy.</p> |
| <b>Default</b>     | no ler-use-dscp                                                                                                                                                                                                                                                                                                                                                                                                                                                                                                                                                                                                                                                                                                                                                                                                                                                                                                                                                                                                                                                                                                                                                                                                                                                                                                                                                                                                                                                                                                         |

### lsp-exp

|                    |                                                                                                                                                                                                                                                                                                                                                                                                                                                                                                                                                                                                                                                                                          |
|--------------------|------------------------------------------------------------------------------------------------------------------------------------------------------------------------------------------------------------------------------------------------------------------------------------------------------------------------------------------------------------------------------------------------------------------------------------------------------------------------------------------------------------------------------------------------------------------------------------------------------------------------------------------------------------------------------------------|
| <b>Syntax</b>      | <b>lsp-exp <i>lsp-exp-value</i> fc <i>fc-name</i> profile {in   out}</b><br><b>no lsp-exp <i>lsp-exp-value</i></b>                                                                                                                                                                                                                                                                                                                                                                                                                                                                                                                                                                       |
| <b>Context</b>     | config>qos>network>ingress                                                                                                                                                                                                                                                                                                                                                                                                                                                                                                                                                                                                                                                               |
| <b>Description</b> | <p>This command creates a mapping between the LSP EXP bits of the network ingress traffic and the forwarding class.</p> <p>Ingress traffic that matches the specified LSP EXP bits will be assigned to the corresponding forwarding class. Multiple commands can be entered to define the association of some or all eight LSP EXP bit values to the forwarding class. For undefined values, packets are assigned to the forwarding class specified under the <b>default-action</b> command.</p> <p>The <b>no</b> form of this command removes the association of the LSP EXP bit value to the forwarding class. The <b>default-action</b> then applies to that LSP EXP bit pattern.</p> |
| <b>Default</b>     | none                                                                                                                                                                                                                                                                                                                                                                                                                                                                                                                                                                                                                                                                                     |



- Parameters** *lsp-exp-value* — Specify the LSP EXP values to be associated with the forwarding class.
- Default** None, the *lsp-exp* command must define a value.
  - Values** 0 to 8 (Decimal representation of three EXP bit field)
- fc** *fc-name* — Enter this required parameter to specify the *fc-name* that the EXP bit pattern will be associated with.
- Default** None, the *lsp-exp* command must define a *fc-name*.
  - Values** be, l2, af, l1, h2, ef, h1, nc
- profile** {*in* | *out*} — Enter this required parameter to indicate whether the LSP EXP value is the in-profile or out-of-profile value.
- Default** None, the *lsp-exp* command must define a profile state.
  - Values** in, out

## Network Egress QoS Policy Commands

### egress

- Syntax** `egress`
- Context** `config>qos>network`
- Description**

This command is used to enter the CLI node that creates or edits egress policy entries that specify the forwarding class queues to be instantiated when this policy is applied to the network port.

The forwarding class and profile state mapping to in and out-of-profile DiffServ code points and MPLS EXP bits mapping for all labeled packets are also defined in this context.

All service packets are aggregated into DiffServ based egress queues on the network interface. The service packets are transported either with IP GRE encapsulation or over a MPLS LSP. The exception is with the IES service. In this case, the actual customer IP header has the DSCP field mapped.

All out-of-profile service packets are marked with the corresponding out-of-profile DSCP or the EXP bit value at network egress. All the in-profile service ingress packets are marked with the corresponding in-profile DSCP or EXP bit value based on the forwarding class they belong.

### fc

- Syntax** `[no] fc fc-name`
- Context** `config>qos>network>egress`

## Network QoS Policy Command Reference

|                    |                                                                                                                                                                                                                                                                                                                                                                                                                                                                                                                                                                                                                                                                                                                                                                                                  |
|--------------------|--------------------------------------------------------------------------------------------------------------------------------------------------------------------------------------------------------------------------------------------------------------------------------------------------------------------------------------------------------------------------------------------------------------------------------------------------------------------------------------------------------------------------------------------------------------------------------------------------------------------------------------------------------------------------------------------------------------------------------------------------------------------------------------------------|
| <b>Description</b> | <p>This command specifies the forwarding class name. The forwarding class name represents an egress queue. The <b>fc</b> <i>fc-name</i> represents a CLI parent node that contains sub-commands or parameters describing the egress characteristics of the queue and the marking criteria of packets flowing through it. The <b>fc</b> command overrides the default parameters for that forwarding class to the values defined in the network default policy.</p> <p>The <b>no</b> form of this command removes the forwarding class name associated with this queue, as appropriate. The forwarding class reverts to the defined parameters in the default network policy. If the <i>fc-name</i> is removed from the network policy that forwarding class reverts to the factory defaults.</p> |
| <b>Default</b>     | Undefined forwarding classes default to the configured parameters in the default network policy policy-id 1.                                                                                                                                                                                                                                                                                                                                                                                                                                                                                                                                                                                                                                                                                     |
| <b>Parameters</b>  | <i>fc-name</i> — The case-sensitive, system-defined forwarding class name for which policy entries will be created.                                                                                                                                                                                                                                                                                                                                                                                                                                                                                                                                                                                                                                                                              |
| <b>Default</b>     | none                                                                                                                                                                                                                                                                                                                                                                                                                                                                                                                                                                                                                                                                                                                                                                                             |
| <b>Values</b>      | be, l2, af, l1, h2, ef, h1, nc                                                                                                                                                                                                                                                                                                                                                                                                                                                                                                                                                                                                                                                                                                                                                                   |

## Network Egress QoS Policy Forwarding Class Commands

### de-mark

|                    |                                                                                                                                                                                                                                                                                                                                                                                                                                                                                                                                                                                                                                                                                                                                                                                                                                                                                                                                                            |
|--------------------|------------------------------------------------------------------------------------------------------------------------------------------------------------------------------------------------------------------------------------------------------------------------------------------------------------------------------------------------------------------------------------------------------------------------------------------------------------------------------------------------------------------------------------------------------------------------------------------------------------------------------------------------------------------------------------------------------------------------------------------------------------------------------------------------------------------------------------------------------------------------------------------------------------------------------------------------------------|
| <b>Syntax</b>      | <b>de-mark</b> [ <b>force</b> <i>de-value</i> ]<br><b>no de-mark</b>                                                                                                                                                                                                                                                                                                                                                                                                                                                                                                                                                                                                                                                                                                                                                                                                                                                                                       |
| <b>Context</b>     | config>qos>network>egress>fc                                                                                                                                                                                                                                                                                                                                                                                                                                                                                                                                                                                                                                                                                                                                                                                                                                                                                                                               |
| <b>Description</b> | This command is used to explicitly define the marking of the DE bit for <b>fc</b> <i>fc-name</i> according to the in and out-of-profile/exceed-profile status of the packet ( <i>fc-name</i> may be used to identify the dot1p-value).                                                                                                                                                                                                                                                                                                                                                                                                                                                                                                                                                                                                                                                                                                                     |
| <b>Parameters</b>  | <i>de-value</i> — If the <i>de-value</i> is specifically mentioned in the command line it means this value is to be used for all the packets of this forwarding class regardless of their in/out of profile status. If no <i>de-value</i> is present, the default values are used for the marking of the DE bit: i.e. 0 for in-profile packets, 1 for out-of-profile and exceed-profile packets— see 802.1ad-2005 standard.<br><br>In the PBB case, for a Network Port (B-SDP), the following rules must be used: <ul style="list-style-type: none"><li>• the outer VID follows the rules for regular SDP</li><li>• for packets originated from a local I-VPLS/PBB-Epipe, this command dictates the marking of the DE bit for both the outer (link level) BVID and ITAG; if the command is not used the DE bit will be set to zero.</li><li>• for transit packets (B-SAP/B-SDP to B-SDP) the related ITAG bits will be preserved, same for BVID.</li></ul> |
| <b>Values</b>      | 0, 1                                                                                                                                                                                                                                                                                                                                                                                                                                                                                                                                                                                                                                                                                                                                                                                                                                                                                                                                                       |

## dot1p

|                    |                                                                                                                                                                                                                                                                                                                                                                                                                                                                                                                                                                                                                                                             |
|--------------------|-------------------------------------------------------------------------------------------------------------------------------------------------------------------------------------------------------------------------------------------------------------------------------------------------------------------------------------------------------------------------------------------------------------------------------------------------------------------------------------------------------------------------------------------------------------------------------------------------------------------------------------------------------------|
| <b>Syntax</b>      | <b>dot1p</b> <i>dot1p-priority</i><br><b>no dot1p</b>                                                                                                                                                                                                                                                                                                                                                                                                                                                                                                                                                                                                       |
| <b>Context</b>     | config>qos>network>egress>fc                                                                                                                                                                                                                                                                                                                                                                                                                                                                                                                                                                                                                                |
| <b>Description</b> | <p>This command will be used whenever the dot1p bits are set to a common value regardless of the internal profile of the packets. Although it is not mandatory, it is expected that this command is used in combination with the de-mark command to enable the marking of the DE bit according to the internal profile of the packet.</p> <p>This command acts as a shortcut version of configuring the two existing commands with the same dot1p-priority.</p> <p>The dot1p x command is saved in the configuration as dot1p-in-profile x and dot1p-out-profile x. The exceed-profile traffic is marked with the same value as out-of-profile traffic.</p> |

## dot1p-in-profile

|                    |                                                                                                                                                                                                                                                                                                                                                                                                                                                                                                      |
|--------------------|------------------------------------------------------------------------------------------------------------------------------------------------------------------------------------------------------------------------------------------------------------------------------------------------------------------------------------------------------------------------------------------------------------------------------------------------------------------------------------------------------|
| <b>Syntax</b>      | <b>dot1p-in-profile</b> <i>dot1p-priority</i><br><b>no dot1p-in-profile</b>                                                                                                                                                                                                                                                                                                                                                                                                                          |
| <b>Context</b>     | config>qos>network>egress>fc                                                                                                                                                                                                                                                                                                                                                                                                                                                                         |
| <b>Description</b> | <p>This command specifies dot1p in-profile mappings and only applies to the 7750 SR and 7950 XRS. The exceed-profile traffic is marked with the same value as out-of-profile traffic.</p> <p>The <b>no</b> form of the command reverts to the default in-profile <i>dot1p-priority</i> setting for policy-id 1.</p>                                                                                                                                                                                  |
| <b>Parameters</b>  | <p><i>dot1p-priority</i> — This value is a required parameter that specifies the unique IEEE 802.1p value that will match the Dot1p rule. If the command is executed multiple times with the same <i>dot1p-value</i>, the previous forwarding class and enqueueing priority is completely overridden by the new parameters or defined to be inherited when a forwarding class or enqueueing priority parameter is missing.</p> <p>A maximum of eight dot1p rules are allowed on a single policy.</p> |
| <b>Values</b>      | 0 to 7                                                                                                                                                                                                                                                                                                                                                                                                                                                                                               |

## dot1p-out-profile

|                    |                                                                                                                                                                                                                                   |
|--------------------|-----------------------------------------------------------------------------------------------------------------------------------------------------------------------------------------------------------------------------------|
| <b>Syntax</b>      | <b>dot1p-out-profile</b> <i>dot1p-priority</i><br><b>no dot1p-out-profile</b>                                                                                                                                                     |
| <b>Context</b>     | config>qos>network>egress>fc                                                                                                                                                                                                      |
| <b>Description</b> | <p>This command specifies dot1p out-profile mappings and only applies to the 7750 SR and 7950 XRS.</p> <p>The <b>no</b> form of the command reverts to the default out-profile <i>dot1p-priority</i> setting for policy-id 1.</p> |

## Network QoS Policy Command Reference

**Parameters** *dot1p-priority* — This value is a required parameter that specifies the unique IEEE 802.1p value that will match the dot1p rule. If the command is executed multiple times with the same *dot1p-value*, the previous forwarding class and enqueueing priority is completely overridden by the new parameters or defined to be inherited when a forwarding class or enqueueing priority parameter is missing.

A maximum of eight dot1p rules are allowed on a single policy.

**Values** 0 to 7

### dscp-in-profile

**Syntax** **dscp-in-profile** *dscp-name*  
**no dscp-in-profile**

**Context** config>qos>network>egress>fc

**Description** This command specifies the in-profile DSCP name for the forwarding class. The corresponding DSCP value will be used for all IP packets requiring marking the egress on this forwarding class queue that are in profile.

When multiple DSCP names are associated with the forwarding class at network egress, the last name entered will overwrite the previous value.

The **no** form of this command reverts to the factory default in-profile dscp-name setting for policy-id 1.

**Parameters** *dscp-name* — System- or user-defined, case-sensitive *dscp-name*.

**Default** none

**Values** Any defined system- or user-defined *dscp-name*

### dscp-out-profile

**Syntax** **dscp-out-profile** *dscp-name*  
**no dscp-out-profile**

**Context** config>qos>network>egress>fc

**Description** This command specifies the out-of-profile DSCP name for the forwarding class. The corresponding DSCP value will be used for all IP packets requiring marking the egress on this forwarding class queue that are out-of-profile. The exceed-profile traffic is marked with the same value as out-of-profile traffic.

When multiple DSCP names are associated with the forwarding class at network egress, the last name entered will overwrite the previous value.

The **no** form of this command reverts to the factory default out-of-profile dscp-name setting for policy-id 1.

**Default**

Policy-id 1: Factory setting  
 Policy-id 2 to 65535: Policy-id setting

**Parameters**

*dscp-name* — System- or user-defined, case-sensitive *dscp-name*.

**Default** none

**Values** Any defined system- or user-defined *dscp-name*

## lsp-exp-in-profile

**Syntax** **lsp-exp-in-profile** *lsp-exp-value*  
**no lsp-exp-in-profile**

**Context** config>qos>network>egress>fc

**Description**

This command specifies the in-profile LSP EXP value for the forwarding class. The EXP value will be used for all LSP labeled packets requiring marking the egress on this forwarding class queue that are in-profile.

When multiple EXP values are associated with the forwarding class at network egress, the last name entered will overwrite the previous value.

The **no** form of this command reverts to the factory default in-profile EXP setting.

**Default**

Policy-id 1: Factory setting  
 Policy-id 2 to 65535: Policy-id setting

**Parameters**

*lsp-exp-value* — The 3-bit LSP EXP bit value, expressed as a decimal integer.

**Default** none

**Values** 0 to 7

## lsp-exp-out-profile

**Syntax** **lsp-exp-out-profile** *lsp-exp-value*  
**no lsp-exp-out-profile**

**Context** config>qos>network>egress>fc

**Description**

This command specifies the out-of-profile LSP EXP value for the forwarding class. The EXP value will be used for all LSP labeled packets requiring marking the egress on this forwarding class queue that are out-of-profile. The exceed-profile traffic is marked with the same value as out-of-profile traffic.

## Network QoS Policy Command Reference

When multiple EXP values are associated with the forwarding class at network egress, the last name entered will overwrite the previous value.

The **no** form of this command reverts to the factory default out-of-profile EXP setting.

### Default

|                       |                   |
|-----------------------|-------------------|
| Policy-id 1:          | Factory setting   |
| Policy-id 2 to 65535: | Policy-id setting |

### Parameters

*mpls-exp-value* — The 3-bit MPLS EXP bit value, expressed as a decimal integer.

**Default** none

**Values** 0 to 7

## policer

**Syntax** **policer** *policer-id*  
**no policer**

**Context** config>qos>queue-group-templates>ingress>queue-group  
config>qos>queue-group-templates>egress>queue-group

**Description** This command is used in ingress and egress queue-group templates to create, modify, or delete a policer.

Policers are created and used in a similar manner to queues. The policer ID space is separate from the queue ID space, allowing both a queue and a policer to share the same ID. The ingress queue-group template have up to 32 policers (numbered 1 through 32) and can be defined while the egress queue-group template supports a maximum of 8 (numbered 1 through 8). While a policer can be defined in a queue-group template, it is not actually created until the queue-group template is instantiated on ingress context of a forwarding plane or on the egress context of a port.

Once a policer is created, the policer's metering rate and profiling rates can be defined as well as the policer's maximum and committed burst sizes (MBS and CBS respectively). Unlike queues which have dedicated counters, policers allow various stat-mode settings that define the counters that will be associated with the policer. Another supported feature—*packet-byte-offset*—provides a policer with the ability to modify the size of each packet based on a defined number of bytes.

Once a policer is created, it cannot be deleted from the queue-group template unless any forwarding classes that are redirected to the policer are first removed.

The **no** version of this command deletes the policer.

- Parameters** *policer-id* — The *policer-id* must be specified when executing the *policer* command. If the specified ID already exists, the system enters that *policer*'s context to allow the *policer*'s parameters to be modified. If the ID does not exist and is within the allowed range for the QoS policy type, a context for the *policer* ID will be created (depending on the system's current create keyword requirements which may require the *create* keyword to actually add the new *policer* ID to the QoS policy) and the system will enter that new *policer*'s context for possible parameter modification.
- Values** 1 to 32 ingress
- Values** 1 to 8 egress

## port-redirect-group

- Syntax** **port-redirect-group** {*queue* *queue-id* | **policer** *policer-id* [*queue* *queue-id*]}  
**no port-redirect-group**
- Context** config>qos>network>egress>fc
- Description** This command is used to redirect the FC of a packet of a PW or network IP interface to an egress port queue-group.
- It defines the mapping of a FC to a *queue-id* or a *policer-id* and a *queue-id*, and redirects the lookup of the *queue* or *policer* of the same ID in some egress port *queue-group* instance. However, the *queue-group* name and instance are explicitly provided only at the time the network QoS policy is applied to egress context of a *spoke-sdp* or a network IP interface.
- The **no** version of this command removes the redirection of the FC.
- Parameters** *queue-id* — This parameter must be specified when executing the **port-redirect-group** command. The specified *queue-id* must exist within the egress port *queue* group on each IP interface where the network QoS policy is applied.
- Values** 1 to 8
- policer id* — The specified *policer-id* must exist within the *queue-group* template applied to the ingress context of the forwarding plane.
- Values** 1 to 8

## dscp

- Syntax** **dscp** *dscp-name* [*fc* *fc-name*] [**profile** {*in* | *out*}]  
**no dscp** *dscp-name*
- Context** configure>qos>network>egress

## Network QoS Policy Command Reference

**Description** This command defines a specific IP Differentiated Services Code Point (DSCP) value that must be matched to perform the associated reclassification actions. If an egress packet on the spoke-sdp the network QoS policy is applied to matches the specified IP DSCP value, the forwarding class and profile may be overridden.

By default, the forwarding class and profile of the packet is derived from ingress classification and profiling functions. Matching a DHCP based reclassification rule will override all IP precedence based reclassification rule actions.

The IP DSCP bits used to match against dscp reclassification rules come from the Type of Service (ToS) field within the IPv4 header or the Traffic Class field from the IPv6 header. If the packet does not have an IP header, dscp based matching is not performed.

The IP precedence and DSCP based re-classification are only supported on a PW used in an IES or VPRN spoke-interface. The CLI will block the application of a network QoS policy with the egress re-classification commands to a network IP interface or to a spoke-sdp part of L2 service.

Conversely, the CLI will not allow the user to add the egress re-classification commands to a network QoS policy if it is being used by a network IP interface or a L2 spoke-sdp.

Also, the egress re-classification commands will only take effect if the redirection of the spoke-sdp to use an egress port queue-group succeeds, i.e., the following CLI command succeeds:

```
config>service>vprn>interface>spoke-sdp>egress>qos network-policy-id port-redirect-group
queue-group-name instance instance-id
```

```
config>service>ies>interface>spoke-sdp>egress>qos network-policy-id port-redirect-group
queue-group-name instance instance-id
```

Reclassification will however occur regardless of whether the queue group instance exists or not on a given egress network port.

When the redirection command fails in CLI, the PW will use the network QoS policy assigned to the network IP interface. Since the network QoS policy applied to a network IP interface does not support re-classification, the PW packets will not undergo re-classification.

The **no** version of this command removes the egress re-classification rule.

**Parameters** *dscp-name* — be | ef | cp1 | cp2 | cp3 | cp4 | cp5 | cp6 | cp7 | cp9 | cs1 | cs2 | cs3 | cs4 | cs5 | nc1 | nc2 | af11 | af12 | af13 | af21 | af22 | af23 | af31 | af32 | af33 | af41 | af42 | af43 | cp11 | cp13 | cp15 | cp17 | cp19 | cp21 | cp23 | cp25 | cp27 | cp29 | cp31 | cp33 | cp35 | cp37 | cp39 | cp41 | cp42 | cp43 | cp44 | cp45 | cp47 | cp49 | cp50 | cp51 | cp52 | cp53 | cp54 | cp55 | cp57 | cp58 | cp59 | cp60 | cp61 | cp62 | cp63

*fc fc-name* — be | l2 | af | l1 | h2 | ef | h1 | nc

*profile {in | out}* — keywords - specify type of marking to be done.



## prec

|                    |                                                                                                                                                                                                                                                                                                                                                                                                                                                                                                                                                                                                                                                                                                                                                                                                                                                                                                                                                                                                                                                                                                                                                                                                                                                                                                                                                                                                                                                                                                                                                                                                                                                                                                                                                                                                                                                                                                                                                                                                                                                                                                                                                                                                                                                                                                                                                                                                                  |
|--------------------|------------------------------------------------------------------------------------------------------------------------------------------------------------------------------------------------------------------------------------------------------------------------------------------------------------------------------------------------------------------------------------------------------------------------------------------------------------------------------------------------------------------------------------------------------------------------------------------------------------------------------------------------------------------------------------------------------------------------------------------------------------------------------------------------------------------------------------------------------------------------------------------------------------------------------------------------------------------------------------------------------------------------------------------------------------------------------------------------------------------------------------------------------------------------------------------------------------------------------------------------------------------------------------------------------------------------------------------------------------------------------------------------------------------------------------------------------------------------------------------------------------------------------------------------------------------------------------------------------------------------------------------------------------------------------------------------------------------------------------------------------------------------------------------------------------------------------------------------------------------------------------------------------------------------------------------------------------------------------------------------------------------------------------------------------------------------------------------------------------------------------------------------------------------------------------------------------------------------------------------------------------------------------------------------------------------------------------------------------------------------------------------------------------------|
| <b>Syntax</b>      | <b>prec</b> <i>ip-prec-value</i> [ <b>fc</b> <i>fc-name</i> ] [ <b>profile</b> { <i>in</i>   <i>out</i> }]<br><b>no prec</b> <i>ip-prec-value</i>                                                                                                                                                                                                                                                                                                                                                                                                                                                                                                                                                                                                                                                                                                                                                                                                                                                                                                                                                                                                                                                                                                                                                                                                                                                                                                                                                                                                                                                                                                                                                                                                                                                                                                                                                                                                                                                                                                                                                                                                                                                                                                                                                                                                                                                                |
| <b>Context</b>     | configure>qos>network>egress                                                                                                                                                                                                                                                                                                                                                                                                                                                                                                                                                                                                                                                                                                                                                                                                                                                                                                                                                                                                                                                                                                                                                                                                                                                                                                                                                                                                                                                                                                                                                                                                                                                                                                                                                                                                                                                                                                                                                                                                                                                                                                                                                                                                                                                                                                                                                                                     |
| <b>Description</b> | <p>This command defines a specific IP Precedence value that must be matched to perform the associated reclassification actions. If an egress packet on the spoke-sdp the network QoS policy is applied to matches the specified IP Precedence value, the forwarding class and profile may be overridden.</p> <p>By default, the forwarding class and profile of the packet is derived from ingress classification and profiling functions.</p> <p>The IP Precedence bits used to match against the reclassification rules come from the Type of Service (ToS) field within the IPv4 header or the Traffic Class field from the IPv6 header. If the packet does not have an IP header, IP precedence based matching is not performed.</p> <p>The IP precedence and DSCP based re-classification are only supported on a PW used in an IES or VPRN spoke-interface. The CLI will block the application of a network QoS policy with the egress re-classification commands to a network IP interface or to a spoke-sdp part of L2 service.</p> <p>Conversely, the CLI will not allow the user to add the egress re-classification commands to a network QoS policy if it is being used by a network IP interface or a L2 spoke-sdp.</p> <p>Also, the egress re-classification commands will only take effect if the redirection of the spoke-sdp to use an egress port queue-group succeeds, i.e., the following CLI command succeeds:</p> <ul style="list-style-type: none"> <li>— <b>config&gt;service&gt;vprn&gt;interface&gt;spoke-sdp&gt;egress&gt;qos</b> <i>network-policy-id</i> <b>port-redirect-group</b> <i>queue-group-name</i> <b>instance</b> <i>instance-id</i></li> <li>— <b>config&gt;service&gt;ies&gt;interface&gt;spoke-sdp&gt;egress&gt;qos</b> <i>network-policy-id</i> <b>port-redirect-group</b> <i>queue-group-name</i> <b>instance</b> <i>instance-id</i></li> </ul> <p>Reclassification will however occur regardless of whether the queue group instance exists or not on a given egress network port.</p> <p>When the redirection command fails in CLI, the PW will use the network QoS policy assigned to the network IP interface. Since the network QoS policy applied to a network IP interface does not support re-classification, the PW packets will not undergo re-classification.</p> <p>The <b>no</b> version of this command removes the egress re-classification rule.</p> |
| <b>Parameters</b>  | <p><i>ip-prec-value</i> — 0 to 7</p> <p><i>fc fc-name</i> — be   l2   af   l1   h2   ef   h1   nc</p> <p><i>profile {in   out}</i> — keywords - specify type of marking to be done.</p>                                                                                                                                                                                                                                                                                                                                                                                                                                                                                                                                                                                                                                                                                                                                                                                                                                                                                                                                                                                                                                                                                                                                                                                                                                                                                                                                                                                                                                                                                                                                                                                                                                                                                                                                                                                                                                                                                                                                                                                                                                                                                                                                                                                                                          |

## Network QoS Policy Command Reference

### remarking

**Syntax** [no] remarking [force]

**Context** config>qos>network>egress

**Description** This command remarks both customer traffic and egress network IP interface traffic; VPRN customer traffic is not remarked. The remarking is based on the forwarding class to DSCP and LSP EXP bit mapping defined under the egress node of the network QoS policy.

Normally, packets that ingress on network ports have either DSCP or, in case of MPLS packets, LSP EXP bit set by an upstream router. The packets are placed in the appropriate forwarding class based on the DSCP to forwarding class mapping or the LSP EXP to forwarding class mapping. The DSCP or LSP EXP bits of such packets are not altered as the packets egress this router, unless **remarking** is enabled.

Remarking can be required if this router is connected to a different DiffServ domain where the DSCP to forwarding class mapping is different.

Normally no remarking is necessary when all router devices are in the same DiffServ domain.

The network QoS policy supports an egress flag that forces remarking of packets that were received on trusted IES and network IP interfaces. This provides the capability of remarking without regard to the ingress state of the IP interface on which a packet was received. The effect of the setting of the egress network remark trusted state on each type of ingress IP interface and trust state is shown in the following table.

The remark trusted state has no effect on packets received on an ingress VPRN IP interface.

| <b>Ingress IP Interface Type and Trust State</b> | <b>Egress Network IP Interface Trust Remark Disabled (Default)</b> | <b>Egress Network IP Interface Trust Remark Enabled</b> |
|--------------------------------------------------|--------------------------------------------------------------------|---------------------------------------------------------|
| IES Non-Trusted (Default)                        | Egress Remarked                                                    | Egress Remarked                                         |
| IES Trusted                                      | Egress Not Remarked                                                | Egress Remarked                                         |
| VPRN Non-Trusted                                 | Egress Remarked                                                    | Egress Remarked                                         |
| VPRN Trusted (Default)                           | Egress Not Remarked                                                | Egress Not Remarked                                     |
| Network Non-Trusted                              | Egress Remarked                                                    | Egress Remarked                                         |
| Network Trusted (Default)                        | Egress Not Remarked                                                | Egress Remarked                                         |

The **no** form of this command reverts to the default behavior.

**Default** **no remarking** — Remarking disabled in the Network QoS policy.

**Parameters** **force** — Specifies that all IP routed traffic egressing the associated network interface will have its EXP, DSCP, P-bit and DE bit setting remarked as defined in the associated QoS policy. Only bit fields configured in the QoS policy will be remarked; all others will be left untouched or set based on the default if the fields were not present at ingress.

## Self-Generated Traffic Commands

### sgt-qos

|                    |                                                                                                 |
|--------------------|-------------------------------------------------------------------------------------------------|
| <b>Syntax</b>      | <b>sgt-qos</b>                                                                                  |
| <b>Context</b>     | config>router<br>config>service>vprn                                                            |
| <b>Description</b> | This command enables the context to configure DSCP/dot1p re-marking for self-generated traffic. |

### application

|                    |                                                                                                                                                                                                                                                                                                                                         |
|--------------------|-----------------------------------------------------------------------------------------------------------------------------------------------------------------------------------------------------------------------------------------------------------------------------------------------------------------------------------------|
| <b>Syntax</b>      | <b>application</b> <i>dscp-app-name</i> <b>dscp</b> { <i>dscp-value</i>   <i>dscp-name</i> }<br><b>application</b> <i>dot1p-app-name</i> <b>dot1p</b> <i>dot1p-priority</i><br><b>no application</b> { <i>dscp-app-name</i>   <i>dot1p-app-name</i> }                                                                                   |
| <b>Context</b>     | config>router>sgt-qos<br>config>service>vprn>sgt-qos                                                                                                                                                                                                                                                                                    |
| <b>Description</b> | This command configures DSCP/dot1p re-marking for self-generated application traffic. When an application is configured using this command, then the specified DSCP name/value is used for all packets generated by this application within the router instance it is configured. The instances can be base router, vprn or management. |

Using the value configured in this command:

- Sets the DSCP bits in the IP packet.
- Maps to the FC. This value will be signaled from the CPM to the egress forwarding complex.
- Based on this signaled FC the egress forwarding complex QoS policy sets the Ethernet 802.1p and MPLS EXP bits.
- The Ethernet 802.1p and MPLS EXP bits are set by the egress complex for all packets based on the signaled FC. This includes ARP, PPPoE and IS-IS packets that, due to their nature, do not carry DSCP bits.
- The DSCP value in the egress IP header will be as configured in this command. The egress QoS policy will not overwrite this value.

Only one DSCP name/value can be configured per application, if multiple entries are configured then the subsequent entry overrides the previous configured entry.

The **no** form of this command reverts back to the default value.

|                   |                                                             |
|-------------------|-------------------------------------------------------------|
| <b>Parameters</b> | <i>dscp-app-name</i> — Specifies the DSCP application name. |
| <b>Values</b>     | The following values apply to the 7750 SR and 7950 XRS:     |

## Network QoS Policy Command Reference

bgp, cflowd, dhcp, diameter, dns, ftp, gtp, icmp, igmp, igmp-reporter, l2tp, ldp, mld, msdp, ndis, ntp, ospf, pcep, pim, ptp, radius, rip, rsvp, sflow, snmp, snmp-notification, srrp, ssh, syslog, tacplus, telnet, tftp, traceroute, vrrp

**Values** The following values apply to the 7450 ESS:

bgp, dhcp, dns, ftp, icmp, igmp, ldp, mld, ntp, ospf, radius, rsvp, rip, ssh, snmp, snmp-notification, syslog, telnet, tftp, traceroute, tacplus, vrrp

*dscp-value* — Specifies a value when this packet egresses the respective egress policy should provide the mapping for the DSCP value to either LSP-EXP bits or IEEE 802.1p (Dot1P) bits as appropriate otherwise the default mapping applies.

**Values** 0 to 63

*dscp-name* — Specifies the DSCP name.

**Values** none, be, ef, cp1, cp2, cp3, cp4, cp5, cp6, cp7, cp9, cs1, cs2, cs3, cs4, cs5, nc1, nc2, af11, af12, af13, af21, af22, af23, af31, af32, af33, af41, af42, af43, cp11, cp13, cp15, cp17, cp19, cp21, cp23, cp25, cp27, cp29, cp31, cp33, cp35, cp37, cp39, cp41, cp42, cp43, cp44, cp45, cp47, cp49, cp50, cp51, cp52, cp53, cp54, cp55, cp57, cp58, cp59, cp60, cp61, cp62, cp63

*dot1p-priority* — Specifies the Dot1P priority.

**Values** 0 to 7

*dot1p-app-name* — Specifies the Dot1P application name.

**Values** The following values apply to the 7750 SR and 7950 XRS:  
arp, isis, pppoe

**Values** The following values apply to the 7450 ESS  
arp, isis

### dscp

|                    |                                                                                                                                                                                                                                                                                                                                                                                                                                                                  |
|--------------------|------------------------------------------------------------------------------------------------------------------------------------------------------------------------------------------------------------------------------------------------------------------------------------------------------------------------------------------------------------------------------------------------------------------------------------------------------------------|
| <b>Syntax</b>      | <b>dscp</b> <i>dscp-name</i> <b>fc</b> <i>fc-name</i><br><b>no dscp</b> <i>dscp-name</i>                                                                                                                                                                                                                                                                                                                                                                         |
| <b>Context</b>     | config>router>sgt-qos<br>config>service>vprn>sgt-qos                                                                                                                                                                                                                                                                                                                                                                                                             |
| <b>Description</b> | This command creates a mapping between the DiffServ Code Point (DSCP) of the self generated traffic and the forwarding class.<br><br>Self generated traffic that matches the specified DSCP will be assigned to the corresponding forwarding class. Multiple commands can be entered to define the association of some or all sixty-four DiffServ code points to the forwarding class.<br><br>All dscp name that defines a dscp value must be explicitly defined |

The **no** form of this command removes the DiffServ code point to forwarding class association.

- Default** none
- Parameters** *dscp-name* — The name of the DiffServ code point to be associated with the forwarding class. DiffServ code point can only be specified by its name and only an existing DiffServ code point can be specified. The software provides names for the well known code points.
- Values** be, ef, cp1, cp2, cp3, cp4, cp5, cp6, cp7, cp9, cs1, cs2, cs3, cs4, cs5, nc1, nc2, af11, af12, af13, af21, af22, af23, af31, af32, af33, af41, af42, af43, cp11, cp13, cp15, cp17, cp19, cp21, cp23, cp25, cp27, cp29, cp31, cp33, cp35, cp37, cp39, cp41, cp42, cp43, cp44, cp45, cp47, cp49, cp50, cp51, cp52, cp53, cp54, cp55, cp57, cp58, cp59, cp60, cp61, cp62, cp63
- fc** *fc-name* — Specify the forwarding class name. All packets with DSCP value or MPLS EXP bits that is not defined will be placed in this forwarding class.
- Default** None, the fc name must be specified
- Values** be, l2, af, l1, h2, ef, h1, nc

## Show Commands

### dscp-table

- Syntax** **dscp-table** [**value** *dscp-value*]
- Context** show>qos
- Description** Displays the DSCP name to DSCP value mappings.
- Parameters** **value** *dscp-value* — The specific DSCP value for which to display information.
- Default** Show all values
- Values** 0 to 63

**Table 23: Show QoS Network Table Output Fields**

| Label      | Description                                                                              |
|------------|------------------------------------------------------------------------------------------|
| DSCP Name  | Displays the name of the DiffServ code point to be associated with the forwarding class. |
| DSCP Value | Displays the DSCP values range between 0 and 63.                                         |
| TOS (bin)  | Displays the type of service in Binary format.                                           |
| TOS (hex)  | Displays the type of service in Hex format.                                              |

# Network QoS Policy Command Reference

## Output

### Sample Output

```
A:ALA-48# show qos dscp-table
```

```
=====
```

```
DSCP Mapping
```

```
=====
```

| DSCP Name | DSCP Value | TOS (bin) | TOS (hex) |
|-----------|------------|-----------|-----------|
| be        | 0          | 0000 0000 | 00        |
| cp1       | 1          | 0000 0100 | 04        |
| cp2       | 2          | 0000 1000 | 08        |
| cp3       | 3          | 0000 1100 | 0C        |
| cp4       | 4          | 0001 0000 | 10        |
| cp5       | 5          | 0001 0100 | 14        |
| cp6       | 6          | 0001 1000 | 18        |
| cp7       | 7          | 0001 1100 | 1C        |
| cs1       | 8          | 0010 0000 | 20        |
| cp9       | 9          | 0010 0100 | 24        |
| af11      | 10         | 0010 1000 | 28        |
| cp11      | 11         | 0010 1100 | 2C        |
| af12      | 12         | 0011 0000 | 30        |
| cp13      | 13         | 0011 0100 | 34        |
| af13      | 14         | 0011 1000 | 38        |
| cp15      | 15         | 0011 1100 | 3C        |
| cs2       | 16         | 0100 0000 | 40        |
| cp17      | 17         | 0100 0100 | 44        |
| af21      | 18         | 0100 1000 | 48        |
| cp19      | 19         | 0100 1100 | 4C        |
| af22      | 20         | 0101 0000 | 50        |
| cp21      | 21         | 0101 0100 | 54        |
| af23      | 22         | 0101 1000 | 58        |
| cp23      | 23         | 0101 1100 | 5C        |
| cs3       | 24         | 0110 0000 | 60        |
| cp25      | 25         | 0110 0100 | 64        |
| af31      | 26         | 0110 1000 | 68        |
| cp27      | 27         | 0110 1100 | 6C        |
| af32      | 28         | 0111 0000 | 70        |
| cp29      | 29         | 0111 0100 | 74        |
| af33      | 30         | 0111 1000 | 78        |
| cp31      | 31         | 0111 1100 | 7C        |
| cs4       | 32         | 1000 0000 | 80        |
| cp33      | 33         | 1000 0100 | 84        |
| af41      | 34         | 1000 1000 | 88        |
| cp35      | 35         | 1000 1100 | 8C        |
| af42      | 36         | 1001 0000 | 90        |
| cp37      | 37         | 1001 0100 | 94        |
| af43      | 38         | 1001 1000 | 98        |
| cp39      | 39         | 1001 1100 | 9C        |
| cs5       | 40         | 1010 0000 | A0        |
| cp41      | 41         | 1010 0100 | A4        |
| cp42      | 42         | 1010 1000 | A8        |
| cp43      | 43         | 1010 1100 | AC        |
| cp44      | 44         | 1011 0000 | B0        |
| cp45      | 45         | 1011 0100 | B4        |
| ef        | 46         | 1011 1000 | B8        |
| cp47      | 47         | 1011 1100 | BC        |

```
nc1 48 1100 0000 C0
cp49 49 1100 0100 C4
cp50 50 1100 1000 C8
cp51 51 1100 1100 CC
cp52 52 1101 0000 D0
cp53 53 1101 0100 D4
cp54 54 1101 1000 D8
cp55 55 1101 1100 DC
nc2 56 1110 0000 E0
cp57 57 1110 0100 E4
cp58 58 1110 1000 E8
cp59 59 1110 1100 EC
cp60 60 1111 0000 F0
cp61 61 1111 0100 F4
cp62 62 1111 1000 F8
cp63 63 1111 1100 FC
```

```
=====
A:ALA-48#
```

```
A:ALA-48# show qos dscp-table value 46
```

```
=====
DSCP Mapping
=====
DSCP Name DSCP Value TOS (bin) TOS (hex)

ef 46 1011 1000 B8
=====
```

```
A:ALA-48#
```

## mc-fr-profile-ingress

**Syntax** mc-fr-profile-ingress [detail]

**Context** show>qos

**Description** This command displays MLFR ingress profile details and only applies to the 7750 SR and 7950 XRS.

**Output**

### Sample Output

```
*A:Cpm-A# show qos mc-fr-profile-ingress
=====
Multi-class Frame-Relay Ingress Profiles
=====
Profile-Id Description

1 Default ingress multi-class frame-relay profile.
=====
*A:Cpm-A#
*A:Cpm-A# show qos mc-fr-profile-ingress 1 detail
=====
Multi-class FR Ingress Profile (1)
=====
```

## Network QoS Policy Command Reference

```
Profile-id : 1
Description: Default ingress multi-class frame-relay profile.

FR Class Reassembly Timeout

0 10
1 10
2 100
3 1000
=====
Associations

No Matching Entries
```

### mc-fr-profile-egress

- Syntax** `mc-fr-profile-egress [detail]`
- Context** `show>qos`
- Description** This command displays MLFR egress profile details and only applies to the 7750 SR and 7950 XRS.
- Output**

#### Sample Output

```
*A:Cpm-A# show qos mc-fr-profile-egress 1
=====
Multi-class FR Egress Profile (1)
=====
Profile-id : 1
Description: Default egress multi-class frame-relay profile.
=====
*A:Cpm-A#
*A:Cpm-A# show qos mc-fr-profile-egress 1 detail
=====
Multi-class FR Egress Profile (1)
=====
Profile-id : 1
Description: Default egress multi-class frame-relay profile.
=====
MCFR Mir Weight Max Size
Class

0 100 0 25
1 85 0 5
2 0 66 200
3 0 33 1000
=====
Associations

No Matching Entries
=====
*A:Cpm-A#
```



## network

**Syntax** `network [policy-id] [detail]`

**Context** `show>qos`

**Description** This command displays network policy information.

**Special Cases** **Network QoS Policy Output Fields** — The following table describes network QoS Policy output fields.

**Table 24: Show QoS Network Output Fields**

| Label                     | Description                                                                                                                                                                                                                                                                                                                                                                                                                                                       |
|---------------------------|-------------------------------------------------------------------------------------------------------------------------------------------------------------------------------------------------------------------------------------------------------------------------------------------------------------------------------------------------------------------------------------------------------------------------------------------------------------------|
| Policy-Id                 | The ID that uniquely identifies the policy.                                                                                                                                                                                                                                                                                                                                                                                                                       |
| Remark                    | True<br>Remarking is enabled for all packets that egress this router where the network policy is applied. The remarking is based on the forwarding class to DSCP and LSP EXP bit mapping defined under the egress node of the network QoS policy.                                                                                                                                                                                                                 |
|                           | False<br>Remarking is disabled.                                                                                                                                                                                                                                                                                                                                                                                                                                   |
| Description               | A text string that helps identify the policy's context in the configuration file.                                                                                                                                                                                                                                                                                                                                                                                 |
| Forward Class/<br>FC Name | Specifies the forwarding class name.                                                                                                                                                                                                                                                                                                                                                                                                                              |
| Profile                   | Out<br>Specifies that IP packets requiring marking the egress on this forwarding class queue that are out of profile.                                                                                                                                                                                                                                                                                                                                             |
|                           | In<br>Specifies that IP packets requiring marking the egress on this forwarding class queue that are in profile.                                                                                                                                                                                                                                                                                                                                                  |
| Accounting                | Packet-based<br>Specifies that the meters associated with this policy do not account for packet framing overheads (such as Ethernet the Inter Frame Gap (IFG) and the preamble), while accounting for the bandwidth to be used by this flow.<br>Frame-based<br>Specifies that the meters associated with this policy account for the packet framing overheads (such as for Ethernet the IFG and preamble), while accounting the bandwidth to be used by the flow. |

**Table 24: Show QoS Network Output Fields (Continued)**

| Label                | Description                                                           |
|----------------------|-----------------------------------------------------------------------|
| DSCP Mapping:        |                                                                       |
| Out-of-Profile       | Displays the DSCP used for out-of-profile traffic.                    |
| In-Profile           | Displays the DSCP used for in-profile traffic.                        |
| LSP EXP Bit Mapping: |                                                                       |
| Out-of-Profile       | Displays the LSP EXP value used for out-of-profile traffic.           |
| In-Profile           | Displays the LSP EXP value used for in-profile traffic.               |
| Interface            | Displays the interface name.                                          |
| IP Addr              | Displays the interface IP address.                                    |
| Port-Id              | Specifies the physical port identifier that associates the interface. |

```
A:ALA-12# show qos network
=====
Network Policies
=====
Policy-Id Remark Description

1 True Default network QoS policy.
=====
A:ALA-12#
```

```
A:ALA-12# show qos network 1
=====
QoS Network Policy
=====
Network Policy (1)

Policy-id : 1 Remark : True
Forward Class : be Profile : Out-profile
Description : Default network QoS policy.
=====
A:ALA-12#
```

```
A:ALA-12# show qos network 1 detail
=====
QoS Network Policy
=====
Network Policy (1)

Policy-id : 1 Remark : True
Forward Class : be Profile : Out-profile
Description : Default network QoS policy.

DSCP Fowarding Class Profile
```

```

ef ef In
nc1 h1 In
nc2 nc In
af11 af In
af12 af Out
af13 af Out
af21 l1 In
af22 l1 Out
af23 l1 Out
af31 l1 In
af32 l1 Out
af33 l1 Out
af41 h2 In
af42 h2 Out
af43 h2 Out

```

```

LSP EXP Bit Map Fowarding Class Profile

0 be Out
1 l2 In
2 af Out
3 af In
4 h2 In
5 ef In
6 h1 In
7 nc In

```

Egress Forwarding Class Queuing

```

FC Name : af
- DSCP Mapping
Out-of-Profile : af12 In-Profile : af11
- LSP EXP Bit Mapping
Out-of-Profile : 2 In-Profile : 3

FC Name : be
- DSCP Mapping
Out-of-Profile : default In-Profile : default
- LSP EXP Bit Mapping
Out-of-Profile : 0 In-Profile : 0

FC Name : ef
- DSCP Mapping
Out-of-Profile : ef In-Profile : ef
- LSP EXP Bit Mapping
Out-of-Profile : 5 In-Profile : 5

FC Name : h1
- DSCP Mapping
Out-of-Profile : nc1 In-Profile : nc1
- LSP EXP Bit Mapping
Out-of-Profile : 6 In-Profile : 6

FC Name : h2
- DSCP Mapping
Out-of-Profile : af42 In-Profile : af41

```

## Network QoS Policy Command Reference

```

- LSP EXP Bit Mapping
Out-of-Profile : 4 In-Profile : 4

FC Name : 11
- DSCP Mapping
Out-of-Profile : af22 In-Profile : af21
- LSP EXP Bit Mapping
Out-of-Profile : 2 In-Profile : 3

FC Name : 12
- DSCP Mapping
Out-of-Profile : cs1 In-Profile : cs1
- LSP EXP Bit Mapping
Out-of-Profile : 1 In-Profile : 1

FC Name : nc
- DSCP Mapping
Out-of-Profile : nc2 In-Profile : nc2
- LSP EXP Bit Mapping
Out-of-Profile : 7 In-Profile : 7

Interface Association

Interface : system
IP Addr. : 10.10.0.3/32 Port Id : vport-1
Interface : to-ser1
IP Addr. : 10.10.13.3/24 Port Id : 1/1/2

=====
A:ALA-12#

config>qos# show qos network 2 detail
=====
QoS Network Policy

Network Policy (2)

Policy-id : 2 Remark : True
Forward Class : be Profile : Out
LER Use DSCP : False

DSCP Forwarding Class Profile

No Matching Entries

LSP EXP Bit Map Forwarding Class Profile

No Matching Entries

Dot1p Bit Map Forwarding Class Profile

3 ef n
4 af Out
5 nc Use-DE

Egress Forwarding Class Queuing

FC Value : 0 FC Name : be

```

```

- DSCP Mapping
Out-of-Profile : be In-Profile : be

- Dot1p Mapping
Out-of-Profile : 7 In-Profile : 7

- LSP EXP Bit Mapping
Out-of-Profile : 0 In-Profile : 0

- DE Mark : Force 1

FC Value : 1 FC Name : 12
- DSCP Mapping
Out-of-Profile : cs1 In-Profile : cs1

- Dot1p Mapping
Out-of-Profile : 1 In-Profile : 1

- LSP EXP Bit Mapping
Out-of-Profile : 1 In-Profile : 1

- DE Mark : None

```

-----  
config>qos#

A:PE>config>qos>network\$ show qos network 10 detail

```

=====
QoS Network Policy
=====

Network Policy (10)

Policy-id : 10 Remark : False
Forward Class : be Profile : Out
LER Use DSCP : False
Description : (Not Specified)

DSCP (Ingress) Forwarding Class Profile

No Matching Entries

DSCP (Egress) Forwarding Class Profile

No Matching Entries

Prec (Egress) Forwarding Class Profile

No Matching Entries

LSP EXP Bit Map Forwarding Class Profile

```

## Network QoS Policy Command Reference

No Matching Entries

```

Dot1p Bit Map Forwarding Class Profile

```

No Matching Entries

```

Egress Forwarding Class Mapping

```

```
FC Value : 0 FC Name : be
- DSCP Mapping
Out-of-Profile : be In-Profile : be

- Dot1p Mapping
Out-of-Profile : 0 In-Profile : 0

- LSP EXP Bit Mapping
Out-of-Profile : 0 In-Profile : 0

DE Mark : None
Redirect Grp Q : None Redirect Grp Plcr: None

FC Value : 1 FC Name : 12
- DSCP Mapping
Out-of-Profile : cs1 In-Profile : cs1

- Dot1p Mapping
Out-of-Profile : 1 In-Profile : 1

- LSP EXP Bit Mapping
Out-of-Profile : 1 In-Profile : 1

DE Mark : None
Redirect Grp Q : None Redirect Grp Plcr: None

FC Value : 2 FC Name : af
- DSCP Mapping
Out-of-Profile : af12 In-Profile : af11

- Dot1p Mapping
Out-of-Profile : 2 In-Profile : 2

- LSP EXP Bit Mapping
Out-of-Profile : 2 In-Profile : 3

DE Mark : None
Redirect Grp Q : None Redirect Grp Plcr: None

FC Value : 3 FC Name : 11
- DSCP Mapping
Out-of-Profile : af22 In-Profile : af21

- Dot1p Mapping
Out-of-Profile : 3 In-Profile : 3

- LSP EXP Bit Mapping
```

```

Out-of-Profile : 2
DE Mark : None
Redirect Grp Q : None

FC Value : 4
- DSCP Mapping
Out-of-Profile : af42

- Dot1p Mapping
Out-of-Profile : 4

- LSP EXP Bit Mapping
Out-of-Profile : 4

DE Mark : None
Redirect Grp Q : None

FC Value : 5
- DSCP Mapping
Out-of-Profile : ef

- Dot1p Mapping
Out-of-Profile : 5

- LSP EXP Bit Mapping
Out-of-Profile : 5

DE Mark : None
Redirect Grp Q : None

FC Value : 6
- DSCP Mapping
Out-of-Profile : nc1

- Dot1p Mapping
Out-of-Profile : 6

- LSP EXP Bit Mapping
Out-of-Profile : 6

DE Mark : None
Redirect Grp Q : None

FC Value : 7
- DSCP Mapping
Out-of-Profile : nc2

- Dot1p Mapping
Out-of-Profile : 7

- LSP EXP Bit Mapping
Out-of-Profile : 7

DE Mark : None
Redirect Grp Q : None

```

```

In-Profile : 3

Redirect Grp Plcr: None

FC Name : h2

In-Profile : af41

In-Profile : 4

In-Profile : 4

Redirect Grp Plcr: None

FC Name : ef

In-Profile : ef

In-Profile : 5

In-Profile : 5

Redirect Grp Plcr: None

FC Name : h1

In-Profile : nc1

In-Profile : 6

In-Profile : 6

Redirect Grp Plcr: None

FC Name : nc

In-Profile : nc2

In-Profile : 7

In-Profile : 7

Redirect Grp Plcr: None

```

-----

## Network QoS Policy Command Reference

```

Ingress Forwarding Class Mapping

FC Value : 0 FC Name : be
Redirect UniCast Plcr : 1 Redirect MultiCast Plcr : 3
Redirect BroadCast Plcr : 4 Redirect Unknown Plcr : 2

FC Value : 1 FC Name : l2
Redirect UniCast Plcr : None Redirect MultiCast Plcr : None
Redirect BroadCast Plcr : None Redirect Unknown Plcr : None

FC Value : 2 FC Name : af
Redirect UniCast Plcr : None Redirect MultiCast Plcr : None
Redirect BroadCast Plcr : None Redirect Unknown Plcr : None

FC Value : 3 FC Name : l1
Redirect UniCast Plcr : None Redirect MultiCast Plcr : None
Redirect BroadCast Plcr : None Redirect Unknown Plcr : None

FC Value : 4 FC Name : h2
Redirect UniCast Plcr : None Redirect MultiCast Plcr : None
Redirect BroadCast Plcr : None Redirect Unknown Plcr : None

FC Value : 5 FC Name : ef
Redirect UniCast Plcr : None Redirect MultiCast Plcr : None
Redirect BroadCast Plcr : None Redirect Unknown Plcr : None

FC Value : 6 FC Name : h1
Redirect UniCast Plcr : None Redirect MultiCast Plcr : None
Redirect BroadCast Plcr : None Redirect Unknown Plcr : None

FC Value : 7 FC Name : nc
Redirect UniCast Plcr : None Redirect MultiCast Plcr : None
Redirect BroadCast Plcr : None Redirect Unknown Plcr : None

Match Criteria (Ingress)

No Matching Entries

Interface Association

No Interface Association Found.
```

**Parameters** *policy-id* — Displays information for the specific policy ID.

**Default** all network policies

**Values** 1 to 65535

**detail** — Includes information about ingress and egress DSCP and LSP EXP bit mappings and network policy interface associations.



## sgt-qos

|                    |                                                                                                                                                                                                                                                                                                                                        |
|--------------------|----------------------------------------------------------------------------------------------------------------------------------------------------------------------------------------------------------------------------------------------------------------------------------------------------------------------------------------|
| <b>Syntax</b>      | <b>sgt-qos</b>                                                                                                                                                                                                                                                                                                                         |
| <b>Context</b>     | show>router                                                                                                                                                                                                                                                                                                                            |
| <b>Description</b> | This command displays QoS information for self-generated traffic. In the output, “none” means that the default values for each application are used, not that there is no value set. For a list of application defaults, see <a href="#">QoS for Self-Generated (CPU) Traffic on Network Interfaces</a> and <a href="#">Table 18</a> . |

## application

|                    |                                                                                                                                                                                                                                                                                                                          |
|--------------------|--------------------------------------------------------------------------------------------------------------------------------------------------------------------------------------------------------------------------------------------------------------------------------------------------------------------------|
| <b>Syntax</b>      | <b>application</b> [ <i>app-name</i> ] [ <b>dscp</b>   <b>dot1p</b> ]                                                                                                                                                                                                                                                    |
| <b>Context</b>     | show>router>sgt-qos                                                                                                                                                                                                                                                                                                      |
| <b>Description</b> | This command displays application QoS settings.                                                                                                                                                                                                                                                                          |
| <b>Parameters</b>  | <i>app-name</i> — The specific application.                                                                                                                                                                                                                                                                              |
| <b>Values</b>      | The following values apply to the 7750 SR and 7950 XRS:<br>arp, bgp, cflowd, dhcp, diameter, dns, ftp, gtp, icmp, igmp, igmp-reporter, isis, l2tp, ldp, mld, msdp, ndis, ntp, ospf, pcep, pim, pppoe, ptp, radius, rip, rsvp, sflow, snmp, snmp-notification, srrp, ssh, syslog, tacplus, telnet, tftp, traceroute, vrrp |
| <b>Values</b>      | The following values apply to the 7450 ESS:<br>arp, bgp, dhcp, dns, ftp, icmp, isis, ldp, ntp, ospf, radius, rip, rsvp, snmp, snmp-notification, ssh, syslog, tacplus, telnet, tftp, traceroute, vrrp                                                                                                                    |

## dscp-map

|                    |                                                                                                                                                                                                                                                                                                                                                                                                                           |
|--------------------|---------------------------------------------------------------------------------------------------------------------------------------------------------------------------------------------------------------------------------------------------------------------------------------------------------------------------------------------------------------------------------------------------------------------------|
| <b>Syntax</b>      | <b>dscp-map</b> [ <i>dscp-name</i> ]                                                                                                                                                                                                                                                                                                                                                                                      |
| <b>Context</b>     | show>router>sgt-qos                                                                                                                                                                                                                                                                                                                                                                                                       |
| <b>Description</b> | This command displays DSCP to FC mappings.                                                                                                                                                                                                                                                                                                                                                                                |
| <b>Parameters</b>  | <i>dscp-name</i> — The specific DSCP name.<br>be, ef, cp1, cp2, cp3, cp4, cp5, cp6, cp7, cp9, cs1, cs2, cs3, cs4, cs5, nc1, nc2, af11, af12, af13, af21, af22, af23, af31, af32, af33, af41, af42, af43, cp11, cp13, cp15, cp17, cp19, cp21, cp23, cp25, cp27, cp29, cp31, cp33, cp35, cp37, cp39, cp41, cp42, cp43, cp44, cp45, cp47, cp49, cp50, cp51, cp52, cp53, cp54, cp55, cp57, cp58, cp59, cp60, cp61, cp62, cp63 |



# Network Queue QoS Policies

---

## In This Section

This section provides information to configure network queue QoS policies using the command line interface.

Topics in this section include:

- [Overview](#)
- [Basic Configurations](#)
- [Default Network Queue Policy Values](#)
- [Service Management Tasks](#)

## Overview

Network queue policies define the ingress network queuing at the XMAMDA network node level. Network queue policies are also used at the Ethernet port and SONET/SDH path level to define network egress queuing.

There is one default network queue policy. Each policy can have up to 16 queues (unicast and multicast). The default policies can be copied but they cannot be deleted or modified. The default policy is identified as **network-queue default**. Default network queue policies are applied to XMA/MDA network ingress ports. You must explicitly create and then associate other network queue QoS policies.

For information about the tasks and commands necessary to access the command line interface and to configure and maintain your devices, refer to CLI Usage chapter in the Basic System Configuration Guide.

## Network Queue Parent Scheduler

Network queues support port scheduler parent priority-level associations. Using a port scheduler policy definition and mapping network queues to a port parent priority level, HQoS functionality is supported providing eight levels of strict priority and weights within the same priority. A network queue's bandwidth is allocated using the "within-cir" and "above-cir" scheme normal for port schedulers.

Queue CIR and PIR percentages when port-based schedulers are in effect will be based on frame-offered-load calculations.

A network queue with a port parent association exists on a port without a scheduler policy defined will be considered to be orphaned.

Refer to [QoS Scheduler Policies](#) for more information about queue parental association scope.

## Basic Configurations

A basic network queue QoS policy must conform to the following:

- Each network queue QoS policy must have a unique policy name.
- Queue parameters can be modified, but cannot be deleted.

## Create a Network Queue QoS Policy

Configuring and applying QoS policies other than the default policy is optional. A default network queue policy is applied to XMA and MDA network ingress ports.

To create a network queue policy, define the following:

- Enter a network queue policy name. The system will not dynamically assign a name.
- Include a description. The description provides a brief overview of policy features.
- Forwarding class — You can assign a forwarding class to a specific queue.

Use the following CLI syntax to create a network queue QoS policy:

```
CLI Syntax: config>qos
 network-queue policy-name
 description description-string
```

```

fc fc-name
 multicast-queue queue-id
 queue queue-id
queue queue-id [multipoint] [queue-type]
 cbs percent
 high-prio-only percent
 mbs percent
 port-parent [weight weight] [level level] [cir-
 weight cir-weight] [cir-level cir-level]
 rate percent [cir percent]

```

The following output displays a network queue QoS policy.

```

A:ALA-1>config>qos# network-queue default
A:ALA-1>config>qos>network-queue# info detail

description "Default network queue QoS policy."
queue 1 create
 mbs 50
 cbs 1
 high-prio-only 10
exit
queue 2 create
 rate 100 cir 25
 mbs 50
 cbs 3
 high-prio-only 10
exit
queue 3 create
 rate 100 cir 25
 mbs 50
 cbs 1
 high-prio-only 10
exit
queue 4 create
 rate 100 cir 25
 mbs 25
 cbs 3
 high-prio-only 10
exit
queue 5 create
 rate 100 cir 100
 mbs 50
 cbs 1
 high-prio-only 10
exit
queue 6 create
 rate 100 cir 100
 mbs 50
 cbs 1
 high-prio-only 10
exit
queue 7 create
 rate 100 cir 10
 mbs 25

```

## Basic Configurations

```
 cbs 3
 high-prio-only 10
 exit
queue 8 create
 rate 100 cir 10
 mbs 25
 cbs 3
 high-prio-only 10
exit
queue 9 multipoint create
 mbs 50
 cbs 1
 high-prio-only 10
exit
queue 10 multipoint create
 rate 100 cir 5
 mbs 50
 cbs 1
 high-prio-only 10
exit
queue 11 multipoint create
 rate 100 cir 5
 mbs 50
 cbs 1
 high-prio-only 10
exit
queue 12 multipoint create
 rate 100 cir 5
 mbs 25
 cbs 1
 high-prio-only 10
exit
queue 13 multipoint create
 rate 100 cir 100
 mbs 50
 cbs 1
 high-prio-only 10
exit
queue 14 multipoint create
 rate 100 cir 100
 mbs 50
 cbs 1
 high-prio-only 10
exit
queue 15 multipoint create
 rate 100 cir 10
 mbs 25
 cbs 1
 high-prio-only 10
exit
queue 16 multipoint create
 rate 100 cir 10
 mbs 25
 cbs 1
 high-prio-only 10
exit
fc af create
 multicast-queue 11
 queue 3
```

```

exit
fc be create
 multicast-queue 9
 queue 1
exit
fc ef create
 multicast-queue 14
 queue 6
exit
fc h1 create
 multicast-queue 15
 queue 7
exit
fc h2 create
 multicast-queue 13
 queue 5
exit
fc l1 create
 multicast-queue 12
 queue 4
exit
fc l2 create
 multicast-queue 10
 queue 2
exit
fc nc create
 multicast-queue 16
 queue 8
exit

```

## Applying Network Queue Policies

Apply network queue policies to the following entities:

- [XMAs and MDAs](#)
- [Ethernet Ports](#)
- [SONET/SDH Ports](#)

### XMAs and MDAs

Use the following CLI syntax to apply a network queue policy to an XMA or MDA network ingress port:

```

CLI Syntax: config>card
 mda mda-slot
 network
 ingress
 queue-policy name

```

## Basic Configurations

The following output displays XMA or MDA network ingress queue policy reverted to the default policy.

```
A:ALA-7>config>card>mda# info

mda-type m60-10/100eth-tx
network
 ingress
 pool default
 resv-cbs sum
 slope-policy "default"
 exit
 queue-policy "default"
 exit
 egress
 pool default
 resv-cbs sum
 slope-policy "default"
 exit
 exit
 exit
access
 ingress
 pool default
 resv-cbs sum
 slope-policy "default"
 exit
 exit
 egress
 pool default
 resv-cbs sum
 slope-policy "default"
 exit
 exit
 exit
 no shutdown

A:ALA-7>config>card>mda#
```

## Ethernet Ports

Use the following CLI syntax to apply a network queue policy to an Ethernet port.

```
CLI Syntax: config>port#
 ethernet
 network
 queue-policy name
```

The following output displays the port configuration.

```
A:ALA-49>config>port# info

```



```

 ethernet
 network
 queue-policy "nq1"
 exit
 exit
 no shutdown

A:ALA-49>config>port#

```

## SONET/SDH Ports

Use the following CLI syntax to apply a network queue policy to a SONET/SDH port:

**CLI Syntax:**

```

config>port#
sonet-sdh
 path path
 network
 queue-policy name

```

The following output displays the port configuration.

```

A:ALA-48>config>port# info

description "OC-12 SONET/SDH"
sonet-sdh
 path sts3
 network
 queue-policy "nq1"
 exit
 no shutdown
 exit
exit
no shutdown

A:ALA-48>config>port#

```

## Default Network Queue Policy Values

The default network queue policies are identified as policy-id **default**. The default policies cannot be modified or deleted. [Table 25](#) displays default policy parameters.

**Table 25: Network Queue Policy Defaults**

| Field       | Default                             |
|-------------|-------------------------------------|
| description | "Default network queue QoS policy." |

## Default Network Queue Policy Values

**Table 25: Network Queue Policy Defaults (Continued)**

| Field   |                | Default |
|---------|----------------|---------|
| queue 1 |                |         |
|         | pir            | 100     |
|         | cir            | 0       |
|         | mbs            | 50      |
|         | cbs            | 1       |
|         | high-prio-only | 10      |
| queue 2 |                |         |
|         | pir            | 100     |
|         | cir            | 25      |
|         | mbs            | 50      |
|         | cbs            | 3       |
|         | high-prio-only | 10      |
| queue 3 |                |         |
|         | pir            | 100     |
|         | cir            | 25      |
|         | mbs            | 50      |
|         | cbs            | 1       |
|         | high-prio-only | 10      |
| queue 4 |                |         |
|         | pir            | 100     |
|         | cir            | 25      |
|         | mbs            | 25      |
|         | cbs            | 3       |
|         | high-prio-only | 10      |
| queue 5 |                |         |
|         | pir            | 100     |

**Table 25: Network Queue Policy Defaults (Continued)**

| Field   |                | Default            |
|---------|----------------|--------------------|
|         | cir            | 100                |
|         | mbs            | 50                 |
|         | cbs            | 1                  |
|         | high-prio-only | 10                 |
| queue 6 |                |                    |
|         | pir            | 100                |
|         | cir            | 100                |
|         | mbs            | 50                 |
|         | cbs            | 1                  |
|         | high-prio-only | 10                 |
| queue 7 |                |                    |
|         | pir            | 100                |
|         | cir            | 10                 |
|         | mbs            | 25                 |
|         | cbs            | 3                  |
|         | high-prio-only | 10                 |
| queue 8 |                |                    |
|         | pir            | 100                |
|         | cir            | 10                 |
|         | mbs            | 50                 |
|         | cbs            | 3                  |
|         | high-prio-only | 10                 |
| fc af   |                | queue 3            |
|         |                | multicast-queue 11 |
| fc be   |                | queue 1            |
|         |                | multicast-queue 9  |

## Default Network Queue Policy Values

**Table 25: Network Queue Policy Defaults (Continued)**

| Field | Default            |
|-------|--------------------|
| fc ef | queue 6            |
|       | multicast-queue 14 |
| fc h1 | queue 67           |
|       | multicast-queue 15 |
| fc h2 | queue 5            |
|       | multicast-queue 13 |
| fc l1 | queue 7            |
|       | multicast-queue 12 |
| fc l2 | queue 2            |
|       | multicast-queue 10 |
| fc nc | queue 8            |
|       | multicast-queue 16 |

```
A:ALA-7>config>qos>network-queue# info detail

description "Default network queue QoS policy."
queue 1 auto-expedite create
rate 100 cir 0
mbs 50
cbs 1
high-prio-only 10
exit
queue 2 auto-expedite create
rate 100 cir 25
mbs 50
cbs 3
high-prio-only 10
exit
queue 3 auto-expedite create
rate 100 cir 25
mbs 50
cbs 1
high-prio-only 10
exit
queue 4 auto-expedite create
rate 100 cir 25
mbs 25
cbs 3
high-prio-only 10
exit
queue 5 auto-expedite create
```

```
 rate 100 cir 100
 mbs 50
 cbs 1
 high-prio-only 10
 exit
queue 6 auto-expedite create
 rate 100 cir 100
 mbs 50
 cbs 1
 high-prio-only 10
exit
queue 7 auto-expedite create
 rate 100 cir 10
 mbs 25
 cbs 3
 high-prio-only 10
exit
queue 8 auto-expedite create
 rate 100 cir 10
 mbs 25
 cbs 3
 high-prio-only 10
exit
queue 9 multipoint auto-expedite create
 rate 100 cir 0
 mbs 50
 cbs 1
 high-prio-only 10
exit
queue 10 multipoint auto-expedite create
 rate 100 cir 5
 mbs 50
 cbs 1
 high-prio-only 10
exit
queue 11 multipoint auto-expedite create
 rate 100 cir 5
 mbs 50
 cbs 1
 high-prio-only 10
exit
queue 12 multipoint auto-expedite create
 rate 100 cir 5
 mbs 25
 cbs 1
 high-prio-only 10
exit
queue 13 multipoint auto-expedite create
 rate 100 cir 100
 mbs 50
 cbs 1
 high-prio-only 10
exit
queue 14 multipoint auto-expedite create
 rate 100 cir 100
 mbs 50
 cbs 1
 high-prio-only 10
exit
```

## Service Management Tasks

```
queue 15 multipoint auto-expedite create
 rate 100 cir 10
 mbs 25
 cbs 1
 high-prio-only 10
exit
queue 16 multipoint auto-expedite create
 rate 100 cir 10
 mbs 25
 cbs 1
 high-prio-only 10
exit
fc af create
 multicast-queue 11
 queue 3
exit
fc be create
 multicast-queue 9
 queue 1
exit
fc ef create
 multicast-queue 14
 queue 6
exit
fc h1 create
 multicast-queue 15
 queue 7
exit
fc h2 create
 multicast-queue 13
 queue 5
exit
fc l1 create
 multicast-queue 12
 queue 4
exit
fc l2 create
 multicast-queue 10
 queue 2
exit
fc nc create
 multicast-queue 16
 queue 8
exit

A:ALA-7>config>qos>network-queue#
exit
```

## Service Management Tasks

This section discusses the following service management tasks:

- [Deleting QoS Policies](#)

- [Remove a Policy from the QoS Configuration](#)
- [Copying and Overwriting QoS Policies](#)
- [Editing QoS Policies](#)

## Deleting QoS Policies

A network queue policy is associated by default with XMA or MDA network ingress ports. You can replace the default policy with a customer-configured policy, but you cannot entirely remove a QoS policy. When you remove a QoS policy, the policy association reverts to the default network-queue policy **default**.

To delete a user-created network queue policy, enter the following commands:

**CLI Syntax:** `config>qos# no network-queue policy-name`

**Example:** `config>qos# no network-queue nq1`

## Remove a Policy from the QoS Configuration

To delete a network policy, enter the following commands:

**CLI Syntax:** `config>qos# no network-queue policy-name`

**Example:** `config>qos# no network-queue test`

## Copying and Overwriting QoS Policies

You can copy an existing network queue policy, rename it with a new policy ID name, or overwrite an existing network queue policy. The overwrite option must be specified or an error occurs if the destination policy ID exists.

**CLI Syntax:** `config>qos# copy network-queue source-policy-id dest-policy-id [overwrite]`

**Example:** `config>qos# copy network-queue nq1 nq2`

## **Editing QoS Policies**

You can change existing policies, except the default policies, and entries in the CLI. The changes are applied immediately to all interfaces where the policy is applied. To prevent configuration errors use the copy command to make a duplicate of the original policy to a work area, make the edits, and then overwrite the original policy.



# Network Queue QoS Policy Command Reference

## Command Hierarchies

- [Configuration Commands](#)
- [Operational Commands](#)
- [Show Commands](#)

## Configuration Commands

```

config
 — qos
 — network-queue policy-name
 — description description-string
 — no description
 — egress-hsmda
 — [no] wrr-policy {add add-bytes | subtract sub-bytes}
 — [no] packet-byte-offset
 — [no] queue queue-id
 — [no] adaptation-rule [pir {min | max | closest}]
 — percent-rate percentage
 — wrr-weight value
 — mbs {size [bytes | kilobytes] | default}
 — slope-policy hsmda-slope-policy-name
 — [no] fc fc-name
 — multicast-queue queue-id
 — no multicast-queue
 — queue queue-id
 — no queue
 — egress-hsmda
 — [no] queue
 — queue queue-id [multipoint] [queue-type] pool pool-name [create]
 — no queue queue-id
 — adaptation-rule [pir adaptation-rule] [cir adaptation-rule]
 — no adaptation-rule
 — avg-frame-overhead percent
 — no avg-frame-overhead
 — cbs percent
 — no cbs
 — high-prio-only percent
 — no high-prio-only
 — mbs percent
 — no mbs
 — [no] pool pool-name [create]

```

- **port-parent** [weight *weight*] [*level level*] [**cir-weight** *cir-weight*] [**cir-level** *cir-level*] [**cir-level** *level*] [**cir-weight** *weight*]
- **no port-parent**
- **rate** *percent* [**cir** *percent*]
- **no rate**

## Operational Commands

```
config
 — qos
 — copy network-queue src-name dst-name [overwrite]
```

## Show Commands

```
show
 — qos
 — network-queue [network-queue-policy-name] [detail]
```

## Command Descriptions

### Configuration Commands

#### Generic Commands

description

|                |                                                                                                                                                                                                                                                                              |
|----------------|------------------------------------------------------------------------------------------------------------------------------------------------------------------------------------------------------------------------------------------------------------------------------|
| <b>Syntax</b>  | <b>description</b> <i>description-string</i><br><b>no description</b>                                                                                                                                                                                                        |
| <b>Context</b> | config>qos>shared-queue<br>config>qos>network-queue<br>config>qos>network<br>config>qos>network>ingress>ipv6-criteria>entry<br>config>qos>network>ingress>ip-criteria>entry<br>config>qos>sap-egress<br>config>qos>sap-ingress<br>config>qos>sap-ingress>ipv6-criteria>entry |

```
config>qos>sap-ingress>ip-criteria>entry
config>qos>sap-ingress>mac-criteria>entry
config>qos>scheduler-policy
config>qos>scheduler-policy>tier>scheduler
```

**Description** This command creates a text description stored in the configuration file for a configuration context.

The **description** command associates a text string with a configuration context to help identify the context in the configuration file.

The **no** form of this command removes any description string from the context.

**Default** No description is associated with the configuration context.

**Parameters** *description-string* — A text string describing the entity. Allowed values are any string up to 80 characters long composed of printable, 7-bit ASCII characters. If the string contains special characters (#, \$, spaces, etc.), the entire string must be enclosed within double quotes.

## Operational Commands

### copy

**Syntax** **copy network-queue src-name dst-name [overwrite]**

**Context** config>qos

**Description** This command copies or overwrites existing network queue QoS policies to another network queue policy ID.

The **copy** command is a configuration level maintenance tool used to create new policies using existing policies. It also allows bulk modifications to an existing policy with the use of the **overwrite** keyword.

**Parameters** **network-queue** — Indicates that the source policy ID and the destination policy ID are network-queue policy IDs. Specify the source policy ID that the copy command will attempt to copy from and specify the destination policy ID to which the command will copy a duplicate of the policy.

**overwrite** — specifies to replace the existing destination policy. Everything in the existing destination policy will be overwritten with the contents of the source policy. If **overwrite** is not specified, a message is generated saying that the destination policy ID exists.

```
SR7>config>qos# copy network-queue nq1 nq2
MINOR: CLI Destination "nq2" exists - use {overwrite}.
SR7>config>qos# copy network-queue nq1 nq2 overwrite
```

## Network Queue QoS Policy Commands

### network-queue

|                    |                                                                                                                                                                                                                                                                                                                 |
|--------------------|-----------------------------------------------------------------------------------------------------------------------------------------------------------------------------------------------------------------------------------------------------------------------------------------------------------------|
| <b>Syntax</b>      | <b>[no] network-queue</b> <i>policy-name</i>                                                                                                                                                                                                                                                                    |
| <b>Context</b>     | config>qos                                                                                                                                                                                                                                                                                                      |
| <b>Description</b> | This command creates a context to configure a network queue policy. Network queue policies define the ingress network queuing at the XMA or MDA network node level and on the Ethernet port and SONET/SDH path level to define network egress queuing.                                                          |
| <b>Default</b>     | default                                                                                                                                                                                                                                                                                                         |
| <b>Parameters</b>  | <i>policy-name</i> — The name of the network queue policy.<br><b>Values</b> Valid names consist of any string up to 32 characters long composed of printable, 7-bit ASCII characters. If the string contains special characters (#, \$, spaces, etc.), the entire string must be enclosed within double quotes. |

### fc

|                    |                                                                                                                                                                                                                                                                                                                                                                                                                                                                                                                                                 |
|--------------------|-------------------------------------------------------------------------------------------------------------------------------------------------------------------------------------------------------------------------------------------------------------------------------------------------------------------------------------------------------------------------------------------------------------------------------------------------------------------------------------------------------------------------------------------------|
| <b>Syntax</b>      | <b>[no] fc</b> <i>fc-name</i>                                                                                                                                                                                                                                                                                                                                                                                                                                                                                                                   |
| <b>Context</b>     | config>qos>network-queue                                                                                                                                                                                                                                                                                                                                                                                                                                                                                                                        |
| <b>Description</b> | The <b>fc</b> context in the network-queue context provides a forwarding class queue context to the contained buffer control and queue rate commands.<br><br>The <b>fc</b> node contains the PIR, CIR, CBS and MBS commands used to control the buffer pool resources of each forwarding class queue on the ingress and egress pools that are associated with the network-queue policy.<br><br>The <b>no</b> form of this command restores all PIR, CIR, CBS and MBS parameters for the forwarding class network queue to their default values. |
| <b>Parameters</b>  | <i>fc-name</i> — The forwarding class name for which the contained PIR, CIR, CBS and MBS queue attributes apply. An instance of <b>fc</b> is allowed for each <b>fc-name</b> .<br><b>Values</b> be, l2, af, l1, h2, ef, h1, nc                                                                                                                                                                                                                                                                                                                  |

### multicast-queue

|                |                                                                     |
|----------------|---------------------------------------------------------------------|
| <b>Syntax</b>  | <b>multicast-queue</b> <i>queue-id</i><br><b>no multicast-queue</b> |
| <b>Context</b> | config>qos>network-queue>fc                                         |

**Description** This command overrides the default multicast forwarding type queue mapping for **fc** *fc-name*. The specified *queue-id* must exist within the policy as a multipoint queue before the mapping can be made. Once the forwarding class mapping is executed, all multicast traffic using this policy is forwarded using the *queue-id*.

The multicast forwarding type includes the **unknown** unicast forwarding type and the **broadcast** forwarding type unless each is explicitly defined to a different multipoint queue. When the unknown and broadcast forwarding types are left as default, they will track the defined queue for the multicast forwarding type.

The **no** form of the command sets the multicast forwarding type *queue-id* back to the default queue for the forwarding class. If the **broadcast** and **unknown** forwarding types were not explicitly defined to a multipoint queue, they will also be set back to the default multipoint queue (queue 11).

#### Resource Utilization

When a multipoint queue is created and at least one forwarding class is mapped to the queue using the **multipoint-queue** command, a single ingress multipoint hardware queue is created per instance of the applied network-queue policy using the queue-policy command at the ingress network XMA or MDA level. Multipoint queues are not created at egress and the multipoint queues defined in the network-queue policy are ignored when the policy is applied to an egress port.

**Parameters** *queue-id* — The *queue-id* parameter specified must be an existing, multipoint queue defined in the **config>qos>network-queue>queue** context.

**Values** Any valid multipoint queue-ID in the policy including 2 through 16.

**Default** 11

## queue

**Syntax** **queue** *queue-id* [**multipoint**] [*queue-type*] **pool** *pool-name* [**create**]  
**no queue** *queue-id*

**Context** config>qos>network-queue

**Description** This command creates the context to configure forwarding-class to queue mappings.

Explicit definition of an ingress queue's hardware scheduler status is supported. A single ingress queue allows support for multiple forwarding classes. The default behavior automatically chooses the expedited or non-expedited nature of the queue based on the forwarding classes mapped to it. As long as all forwarding classes mapped to the queue are expedited (nc, ef, h1 or h2), the queue is treated as an expedited queue by the hardware schedulers. When any non-expedited forwarding classes are mapped to the queue (be, af, l1 or l2), the queue is treated as best effort (be) by the hardware schedulers. The expedited hardware schedulers are used to enforce expedited access to internal switch fabric destinations. The hardware status of the queue must be defined at the time of queue creation within the policy.

## Network Queue QoS Policy Command Reference

The **no** form of this command removes the *queue-id* from the network-queue policy and from any existing XMA, MDA, or port using the policy. If any forwarding class forwarding types are mapped to the queue, they revert to their default queues. When a queue is removed, any pending accounting information for each XMA, MDA, or port queue created due to the definition of the queue in the policy is discarded.

### Resource Utilization

When the network-queue policy is applied on an ingress XMA or MDA, each unicast queue is created multiple times - once for each switch fabric destination currently provisioned. Some IOM types on the 7450 ESS and 7750 SR represent one switch fabric destinations while others may represent two. XCMs on a 7950 XRS represent two switch fabric destinations, where each XMA is one destination. At egress, a single queue is created since the policy is applied at the port level. Queues are only created when at least one forwarding class is mapped to the queue using the queue command within the forwarding class context.

### Parameters

*queue-id* — The *queue-id* for the queue, expressed as an integer. The *queue-id* uniquely identifies the queue within the policy. This is a required parameter each time the queue command is executed.

**Values** 1 to 32

*queue-type* — The **expedite**, **best-effort** and **auto-expedite** queue types are mutually exclusive to each other. Each defines the method that the system uses to service the queue from a hardware perspective. While parental virtual schedulers can be defined for the queue, they only enforce how the queue interacts for bandwidth with other queues associated with the same scheduler hierarchy. An internal mechanism that provides access rules when the queue is vying for bandwidth with queues in other virtual schedulers is also needed. A keyword must be specified at the time the queue is created in the network-queue policy. If an attempt to change the keyword after the queue is initially defined, an error is generated.

**expedite** — This keyword ensures that the queue is treated in an expedited manner independent of the forwarding classes mapped to the queue.

**best-effort** — This keyword ensures that the queue is treated in a non-expedited manner independent of the forwarding classes mapped to the queue.

**auto-expedite** — This keyword allows the system to auto-define the way the queue is serviced by the hardware. When **auto-expedite** is defined on the queue, the queue is treated in an expedited manner when all forwarding classes mapped to the queue are configured as expedited types nc, ef, h1 or h2. When a single non-expedited forwarding class is mapped to the queue (be, af, l1 and l2) the queue automatically falls back to non-expedited status.

**Values** expedite, best-effort, auto-expedite

**Default** auto-expedite

**multipoint** — This keyword specifies that this *queue-id* is for multipoint forwarded traffic only. This *queue-id* can only be explicitly mapped to the forwarding class multicast, broadcast, or unknown unicast ingress traffic. If you attempt to map forwarding class unicast traffic to a multipoint queue, an error is generated and no changes are made to the current unicast traffic queue mapping.

A queue must be created as multipoint. The **multipoint** designator cannot be defined after the queue is created. If an attempt is made to modify the command to include the **multipoint** keyword, an error is generated and the command will not execute.

The **multipoint** keyword can be entered in the command line on a preexisting multipoint queue to edit *queue-id* parameters.

**Values** multipoint or not present

**Default** Present (the queue is created as non-multipoint)

## egress-hsmda

**Syntax** **egress-hsmda**

**Context** config>qos>network-queue

**Description** This command enables the context to configure queue definitions for use on HSMDAs and only applies to the 7450 ESS and 7750 SR.

## queue

**Syntax** [**no**] **queue** *queue-id*

**Context** config>qos>network-queue>egress-hsmda  
config>qos>network-queue>fc

**Description** This command is a container for the configuration parameters controlling the behavior of an HSMDA queue. Unlike the standard QoS policy queue command, this command is not used to actually create or dynamically assign the queue to the object which the policy is applied. The queue identified by *queue-id* always exists whether the command is executed or not. In the case of HSMDA SAPs and subscribers, all eight queues exist at the moment the system allocates an HSMDA queue group to the object.

### Best-Effort, Expedited and Auto-Expedite Queue Behavior Based on Queue-ID

With standard service queues, the scheduling behavior relative to other queues is based on two items, the queues Best-Effort or Expedited nature and the dynamic rate of the queue relative to the defined CIR. HSMDA queues are handled differently. The create time auto-expedite and explicit expedite and best-effort qualifiers have been eliminated and instead the scheduling behavior is based solely on the queues identifier. Queues with a *queue-id* equal to 1 are placed in scheduling class 1. Queues with *queue-id* 2 are placed in scheduling class 2. And so on up to scheduling class 8. Each scheduling class is either mapped directly to a strict scheduling priority level based on the class ID, or the class may be placed into a weighted scheduling class group providing byte fair weighted round robin scheduling between the members of the group. Two weighted groups are supported and each may contain up to three consecutive scheduling classes. The weighed group assumes its highest member class's inherent strict scheduling level for scheduling purposes. Strict priority level 8 has the highest priority while strict level 1 has the lowest. When grouping of scheduling classes is defined, some of the strict levels will not be in use.

## Network Queue QoS Policy Command Reference

### Every HSMDA Queue Supports Profile Mode Implicitly

Unlike standard service queues, the HSMDA queues do not need to be placed into the special mode profile at create time in order to support ingress color aware policing. Each queue may handle in-profile, out-of-profile and profile undefined packets simultaneously. As with standard queues, the explicit profile of a packet is dependent on ingress sub-forwarding class to which the packet is mapped.

The no form of the command restores the defined queue-id to its default parameters. All HSMDA queues having the queue-id and associated with the QoS policy are re-initialized to default parameters.

This command only applies to the 7450 ESS and 7750 SR.

**Parameters** *queue-id* — Defines the context of which of the eight egress queues will be entered for editing purposes.

### packet-byte-offset

**Syntax** **packet-byte-offset** {**add** *add-bytes* | **subtract** *sub-bytes*}  
**no packet-byte-offset**

**Context** config>qos>network-queue>egress-hsmda

**Description** This command adds or subtracts the specified number of bytes to the accounting function for each packet handled by the HSMDA queue. Normally, the accounting and leaky bucket functions are based on the 14-byte Ethernet DLC header, 4-byte or 8-byte VLAN tag (optional), 20-byte IP header, IP payload and the 4-byte CRC (everything except the preamble and inter-frame gap). As an example, the packet-byte-offset command can be used to add the frame encapsulation overhead (20 bytes) to the queues accounting functions. The accounting functions affected include:

- Offered High Priority / In-Profile Octet Counter
- Offered Low Priority / Out-of-Profile Octet Counter
- Discarded High Priority / In-Profile Octet Counter
- Discarded Low Priority / Out-of-Profile Octet Counter
- Forwarded In-Profile Octet Counter
- Forwarded Out-of-Profile Octet Counter
- Peak Information Rate (PIR) Leaky Bucket Updates
- Committed Information Rate (CIR) Leaky Bucket Updates
- Queue Group Aggregate Rate Limit Leaky Bucket Updates

The secondary shaper leaky bucket, scheduler priority level leaky bucket and the port maximum rate updates are not affected by the configured packet-byte-offset. Each of these accounting functions are frame based and always include the preamble, DLC header, payload and the CRC regardless of the configured byte offset.



The `packet-byte-offset` command accepts either `add` or `subtract` as valid keywords which define whether bytes are being added or removed from each packet traversing the queue. Up to 20 bytes may be added to the packet and up to 43 bytes may be removed from the packet. An example use case for subtracting bytes from each packet is an IP based accounting function. Given a Dot1Q encapsulation, the command `packet-byte-offset subtract 14` would remove the DLC header and the Dot1Q header from the size of each packet for accounting functions only. The 14 bytes are not actually removed from the packet, only the accounting size of the packet is affected.

As inferred above, the variable accounting size offered by the `packet-byte-offset` command is targeted at the queue and queue group level. When the queue group represents the last-mile bandwidth constraints for a subscriber, the offset allows the HSMDA queue group to provide an accurate accounting to prevent overrun and underrun conditions for the subscriber. The accounting size of the packet is ignored by the secondary shapers, the scheduling priority level shapers and the scheduler maximum rate. The actual on-the-wire frame size is used for these functions to allow an accurate representation of the behavior of the subscribers packets on an Ethernet aggregation network.

The `packet-byte-offset` value may be overridden for the HSMDA queue at the network queue level.

The **no** form of the command removes any accounting size changes to packets handled by the queue. The command does not affect overrides that may exist on an associated with the queue.

This command only applies to the 7450 ESS and 7750 SR.

|                   |                                                                                                                                                                                                                                                                                                                                                                                                                                                                                                                                                                                                                                                                                                                                                                                                                                                                                                                                                                                                            |
|-------------------|------------------------------------------------------------------------------------------------------------------------------------------------------------------------------------------------------------------------------------------------------------------------------------------------------------------------------------------------------------------------------------------------------------------------------------------------------------------------------------------------------------------------------------------------------------------------------------------------------------------------------------------------------------------------------------------------------------------------------------------------------------------------------------------------------------------------------------------------------------------------------------------------------------------------------------------------------------------------------------------------------------|
| <b>Parameters</b> | <p><b>add</b> <i>add-bytes</i> — Indicates that the byte value should be added to the packet for queue and queue group level accounting functions. Either the <b>add</b> or <b>subtract</b> keyword must be specified. The corresponding byte value must be specified when executing the <code>packet-byte-offset</code> command. The <b>add</b> keyword is mutually exclusive with the <b>subtract</b> keyword.</p> <p><b>Values</b>      1 to 31</p> <p><b>subtract</b> <i>sub-bytes</i> — Indicates that the byte value should be subtracted from the packet for queue and queue group level accounting functions. The <b>subtract</b> keyword is mutually exclusive with the <b>add</b> keyword. Either the <b>add</b> or <b>subtract</b> keyword must be specified. The corresponding byte value must be specified when executing the <code>packet-byte-offset</code> command. The minimum resulting packet size used by the system is 64 bytes with an HS-MDA.</p> <p><b>Values</b>      1 to 64</p> |
|-------------------|------------------------------------------------------------------------------------------------------------------------------------------------------------------------------------------------------------------------------------------------------------------------------------------------------------------------------------------------------------------------------------------------------------------------------------------------------------------------------------------------------------------------------------------------------------------------------------------------------------------------------------------------------------------------------------------------------------------------------------------------------------------------------------------------------------------------------------------------------------------------------------------------------------------------------------------------------------------------------------------------------------|

## wrr-policy

|                    |                                                                                                                                                                        |
|--------------------|------------------------------------------------------------------------------------------------------------------------------------------------------------------------|
| <b>Syntax</b>      | <b>wrr-policy hsmda-wrr-policy-name</b><br><b>no wrr-policy</b>                                                                                                        |
| <b>Context</b>     | config>qos>network-queue>egress-hsmda                                                                                                                                  |
| <b>Description</b> | This command associates an existing HSMDA weighted-round-robin (WRR) scheduling loop policy to the HSMDA queue. This command only applies to the 7450 ESS and 7750 SR. |
| <b>Parameters</b>  | <i>hsmda-wrr-policy-name</i> — Specifies the existing HSMDA WRR policy name to associate to the queue.                                                                 |

### slope-policy

|                    |                                                                                                                                                                                                                                                                                                                                                                                                                                                                                                                    |
|--------------------|--------------------------------------------------------------------------------------------------------------------------------------------------------------------------------------------------------------------------------------------------------------------------------------------------------------------------------------------------------------------------------------------------------------------------------------------------------------------------------------------------------------------|
| <b>Syntax</b>      | <b>slope-policy</b> <i>hsmdda-slope-policy-name</i><br><b>no slope-policy</b>                                                                                                                                                                                                                                                                                                                                                                                                                                      |
| <b>Context</b>     | config>qos>network-queue>egress-hsmdda>queue                                                                                                                                                                                                                                                                                                                                                                                                                                                                       |
| <b>Description</b> | This command associates an existing HSMDA slope policy to the QoS policy HSMDA queue. The specified <i>hsmdda-slope-policy-name</i> must exist for the command to succeed. If the policy name does not exist, the command has no effect on the existing slope policy association. Once a slope policy is associated with a QoS policy queue or override, the slope policy cannot be removed from the system. Any edits to an associated slope policy are immediately applied to the queues using the slope policy. |

Within the ingress and egress QoS policies, packets are classified as high priority or low-priority. For color aware policies, packets are also potentially classified as in-profile, out-of-profile or profile-undefined. Based on these classifications, packets are mapped to the RED slopes in the following manner:

#### Ingress Slope Mapping

- In-Profile — High Slope (priority ignored)
- Profile-Undefined, High Priority — High Slope
- Out-of-Profile Low Slope (priority ignored)
- Profile-Undefined, Low Priority — Low Slope

#### Egress Slope Mapping

- In-Profile from ingress — High Slope
- Out-of-Profile from ingress — Low Slope

The specified policy contains a value that defines the queue's MBS value (*queue-mbs*). This is the maximum depth of the queue specified in bytes where all packets start to discard. The high and low priority RED slopes provide congestion control mechanisms that react to the current depth of the queue and start a random discard that increases in probability as the queue depth increases. The start point and end point for each discard probability slope is defined as follows:

- Start-Utilization — This is defined as percentage of MBS and specifies where the discard probability for the slope begins to rise above 0%. (A corresponding Start-Probability parameter is not needed as the start probability is always 0%.)
- Maximum-Utilization — This is also defined as a percentage of MBS and specifies where (based on MBS utilized) the discard probability rises to 100%. This is the first portion of the knee coordinates and is meaningless without the Maximum-Probability parameter.
- Maximum-Probability — This is defined as a percentage of discard probability and in conjunction with maximum-utilization completes the knee coordinate where the discard probability deviates from the slope and rises to 100%.

Up to 1024 HSMDA slope policies may be configured on a system.

The system maintains a slope policy named `hsmda-default` which acts as a default policy when an explicit slope policy has not been defined for an HSMDA queue. The default policy may be edited, but it cannot be deleted. If a `no slope-policy hsmda-default` command is executed, the default slope policy returns to the factory default settings. The factory default settings are as follows:

High Slope:

- Start-Utilization 100%
- Max-Utilization 100%
- Max-Probability 100%
- Shutdown

Low Slope:

- Start-Utilization 90%
- Max-Utilization 90%
- Max-Probability 1
- No Shutdown

Time-Average-Factor: 0

The **no** form of the command restores the association between the queue and the HSMDA default slope policy. The command has no immediate effect for queues that have a local override defined for the slope policy.

This command applies only to the 7450 ESS and 7750 SR.

**Parameters** *hsmda-slope-policy-name* — Specifies an existing slope policy within the system. If a slope policy with the specified name does not exist, the slope-policy command will fail without modifying the slope behavior on the queue. Once a slope policy is associated with an HSMDA queue, the policy cannot be deleted.

**Default** `hsmda-default`

## adaptation-rule

**Syntax** `adaptation-rule [pir {max | min | closest}]`  
**no adaptation-rule**

**Context** `config>qos>network-queue>egress-hsmda>queue`

**Description** This command defines the method used by the system to derive the operational PIR settings when the HSMDA queue is provisioned in hardware. For the PIR parameters individually, the system attempts to find the best operational rate depending on the defined constraint.

The **no** form of the command removes any explicitly defined constraints used to derive the operational PIR created by the application of the policy. When a specific **adaptation-rule** is removed, the default constraints for **pir** apply.

## Network Queue QoS Policy Command Reference

This command only applies to the 7450 ESS and 7750 SR.

|                   |                                                                                                                                                                                                                                                                                                                                                                                                                                                                                                                                        |
|-------------------|----------------------------------------------------------------------------------------------------------------------------------------------------------------------------------------------------------------------------------------------------------------------------------------------------------------------------------------------------------------------------------------------------------------------------------------------------------------------------------------------------------------------------------------|
| <b>Parameters</b> | <i>adaptation-rule</i> — Specifies the adaptation rule to be used while computing the operational PIR value.                                                                                                                                                                                                                                                                                                                                                                                                                           |
| <b>Values</b>     | <b>pir</b> — Defines the constraints enforced when adapting the PIR rate defined. The <b>pir</b> parameter requires a qualifier that defines the constraint used when deriving the operational PIR for the HSMDA queue. When the <b>pir</b> command is not specified, the default applies.<br><b>max</b> — The <b>max</b> (maximum) option is mutually exclusive with the <b>min</b> and <b>closest</b> options.<br><b>min</b> — The <b>min</b> (minimum) option is mutually exclusive with the <b>max</b> and <b>closest</b> options. |
| <b>Default</b>    | <b>closest</b> — The <b>closest</b> parameter is mutually exclusive with the <b>min</b> and <b>max</b> parameter. When <b>closest</b> is defined, the operational PIR for the HSMDA queue will be the rate closest to the rate specified using the <b>rate</b> command                                                                                                                                                                                                                                                                 |

## mbs

|                    |                                                                                                                                                                                                                                                                                                                                                                                                                                                                                                                                                                                                                                                                                                                                                                                                                                                                                                                                                                                                                                                                     |
|--------------------|---------------------------------------------------------------------------------------------------------------------------------------------------------------------------------------------------------------------------------------------------------------------------------------------------------------------------------------------------------------------------------------------------------------------------------------------------------------------------------------------------------------------------------------------------------------------------------------------------------------------------------------------------------------------------------------------------------------------------------------------------------------------------------------------------------------------------------------------------------------------------------------------------------------------------------------------------------------------------------------------------------------------------------------------------------------------|
| <b>Syntax</b>      | <b>mbs {size [byte   kilobytes]   default}</b><br><b>no mbs</b>                                                                                                                                                                                                                                                                                                                                                                                                                                                                                                                                                                                                                                                                                                                                                                                                                                                                                                                                                                                                     |
| <b>Context</b>     | config>qos>network-queue>egress-hsmda>queue                                                                                                                                                                                                                                                                                                                                                                                                                                                                                                                                                                                                                                                                                                                                                                                                                                                                                                                                                                                                                         |
| <b>Description</b> | <p>The Maximum Burst Size (<b>mbs</b>) command specifies the relative amount of the buffer pool space for the maximum buffers for a specific HSMDA queue.</p> <p>The MBS value is used to by a queue to determine whether it has exhausted its total allowed buffers while enqueueing packets. Once the queue has exceeded its maximum amount of buffers, all packets are discarded until the queue transmits a packet. A queue that has not exceeded its MBS size is not guaranteed that a buffer will be available when needed or that the packet's RED slope will not force the discard of the packet. Setting proper CBS parameters and controlling CBS oversubscription is one major safeguard to queue starvation (when a queue does not receive its fair share of buffers). Another is properly setting the RED slope parameters for the needs of the network queues.</p> <p>The <b>no</b> form of the command returns the MBS size for the queue to the default for the forwarding class.</p> <p>This command only applies to the 7450 ESS and 7750 SR.</p> |
| <b>Parameters</b>  | <i>size</i> — Specifies the size of the MBS for the HSMDA queue.                                                                                                                                                                                                                                                                                                                                                                                                                                                                                                                                                                                                                                                                                                                                                                                                                                                                                                                                                                                                    |
| <b>Values</b>      | 0 to 2688000 (for bytes)<br>0 to 2625 (for kilobytes)                                                                                                                                                                                                                                                                                                                                                                                                                                                                                                                                                                                                                                                                                                                                                                                                                                                                                                                                                                                                               |
|                    | <i>bytes</i> — Identifies the size value in terms of bytes.                                                                                                                                                                                                                                                                                                                                                                                                                                                                                                                                                                                                                                                                                                                                                                                                                                                                                                                                                                                                         |
|                    | <i>kilobytes</i> — Identifies the size value in terms of kilobytes.                                                                                                                                                                                                                                                                                                                                                                                                                                                                                                                                                                                                                                                                                                                                                                                                                                                                                                                                                                                                 |

*default* — Specifies the size of the MBS to be the default value configured on the system.

## percent-rate

|                    |                                                                                                                                                                                                                           |
|--------------------|---------------------------------------------------------------------------------------------------------------------------------------------------------------------------------------------------------------------------|
| <b>Syntax</b>      | <b>percent-rate</b> <i>percentage</i><br><b>no percent-rate</b>                                                                                                                                                           |
| <b>Context</b>     | config>qos>network-queue>egress-hsmda>queue                                                                                                                                                                               |
| <b>Description</b> | This command specifies the PIR shaping rate for the HSMDA queue. This command only applies to the 7450 ESS and 7750 SR.<br><br>The <b>no</b> form of the command returns the PIR size for the queue to the default value. |
| <b>Parameters</b>  | <i>percentage</i> — Specifies the PIR percentage rate for the HSMDA queue.<br><br><b>Values</b> 0.10 to 100.00                                                                                                            |

## wrr-weight

|                    |                                                                                                                                                                                                                        |
|--------------------|------------------------------------------------------------------------------------------------------------------------------------------------------------------------------------------------------------------------|
| <b>Syntax</b>      | <b>wrr-weight</b> <i>value</i><br><b>no wrr-weight</b>                                                                                                                                                                 |
| <b>Context</b>     | config>qos>network-queue>egress-hsmda>queue                                                                                                                                                                            |
| <b>Description</b> | This command assigns the weight value to the HSMDA queue. This command only applies to the 7450 ESS and 7750 SR.<br><br>The <b>no</b> form of the command returns the weight value for the queue to the default value. |
| <b>Parameters</b>  | <i>value</i> — Specifies the weight for the HSMDA queue.<br><br><b>Values</b> 1 to 32                                                                                                                                  |

## Network Queue QoS Policy Queue Commands

### queue

|                    |                                                                                                                                                            |
|--------------------|------------------------------------------------------------------------------------------------------------------------------------------------------------|
| <b>Syntax</b>      | <b>queue</b> <i>queue-id</i> [ <b>multipoint</b> ] [ <i>queue-type</i> ] <b>pool</b> <i>pool-name</i> [ <b>create</b> ]<br><b>no queue</b> <i>queue-id</i> |
| <b>Context</b>     | config>qos>network-queue                                                                                                                                   |
| <b>Description</b> | This command enables the context to configure a QoS network-queue policy queue.                                                                            |

## Network Queue QoS Policy Command Reference

Explicit definition of an ingress queue's hardware scheduler status is supported. A single ingress queue allows support for multiple forwarding classes. The default behavior automatically chooses the expedited or non-expedited nature of the queue based on the forwarding classes mapped to it. As long as all forwarding classes mapped to the queue are expedited (nc, ef, h1 or h2), the queue is treated as an expedited queue by the hardware schedulers. When any non-expedited forwarding classes are mapped to the queue (be, af, l1 or l2), the queue is treated as best effort (be) by the hardware schedulers. The expedited hardware schedulers are used to enforce expedited access to internal switch fabric destinations. The hardware status of the queue must be defined at the time of queue creation within the policy.

The **queue** command allows the creation of multipoint queues. Only multipoint queues can receive ingress packets that need flooding to multiple destinations. By separating the unicast for multipoint traffic at service ingress and handling the traffic on separate multipoint queues, special handling of the multipoint traffic is possible. Each queue acts as an accounting and (optionally) shaping device offering precise control over potentially expensive multicast, broadcast and unknown unicast traffic. Only the back-end support of multipoint traffic (between the forwarding class and the queue based on forwarding type) needs to be defined. The individual classification rules used to place traffic into forwarding classes are not affected. Queues must be defined as multipoint at the time of creation within the policy.

The multipoint queues are for multipoint traffic.

The **no** form of this command removes the *queue-id* from the network-queue policy and from any existing SAPs using the policy. If any forwarding class forwarding types are mapped to the queue, they revert to their default queues. When a queue is removed, any pending accounting information for each SAP queue created due to the definition of the queue in the policy is discarded.

If the specified pool-name does not exist on the XMA or MDA, the queue will be treated as 'pool orphaned' and will be mapped to the appropriate default pool. Once the pool comes into existence on the XMA, MDA, or port, the queue will be mapped to the new pool.

Once the queue is created within the policy, the pool command may be used to either remove the queue from the pool, or specify a new pool name association for the queue. The pool command does not appear in save or show command output. Instead, the current pool name for the queue will appear (or not appear) on the queue command output using the pool keyword.

### Parameters

*queue-id* — The *queue-id* for the queue, expressed as an integer. The *queue-id* uniquely identifies the queue within the policy. This is a required parameter each time the queue command is executed.

**Values** 1 to 32

*queue-type* — The **expedite**, **best-effort** and **auto-expedite** queue types are mutually exclusive to each other. Each defines the method that the system uses to service the queue from a hardware perspective. While parental virtual schedulers can be defined for the queue, they only enforce how the queue interacts for bandwidth with other queues associated with the same scheduler hierarchy. An internal mechanism that provides access rules when the queue is vying for bandwidth with queues in other virtual schedulers is also needed. A keyword must be specified at the time the queue is created in the network-queue policy. If an attempt is made to change the keyword after the queue is initially defined, an error is generated.

**expedite** — This keyword ensures that the queue is treated in an expedited manner independent of the forwarding classes mapped to the queue.

**best-effort** — This keyword ensures that the queue is treated in a non-expedited manner independent of the forwarding classes mapped to the queue.

**auto-expedite** — This keyword allows the system to auto-define the way the queue is serviced by the hardware. When **auto-expedite** is defined on the queue, the queue is treated in an expedited manner when all forwarding classes mapped to the queue are configured as expedited types nc, ef, h1 or h2. When a single non-expedited forwarding class is mapped to the queue (be, af, l1 and l2) the queue automatically falls back to non-expedited status.

**Values** expedite, best-effort, auto-expedite

**Default** auto-expedite

**multipoint** — This keyword specifies that this *queue-id* is for multipoint forwarded traffic only. This *queue-id* can only be explicitly mapped to the forwarding class multicast, broadcast, or unknown unicast ingress traffic. If you attempt to map forwarding class unicast traffic to a multipoint queue, an error is generated and no changes are made to the current unicast traffic queue mapping.

A queue must be created as multipoint. The **multipoint** designator cannot be defined after the queue is created. If an attempt is made to modify the command to include the **multipoint** keyword, an error is generated and the command will not execute.

The **multipoint** keyword can be entered in the command line on a preexisting multipoint queue to edit *queue-id* parameters.

**Values** multipoint or not present

**Default** Not present (the queue is created as non-multipoint)

*pool-name* — The specified pool-name identifies a named pool where the policy will be applied. Each queue created within the system is tied to a physical port. When the policy is applied and the queue is created, the system will scan the named pools associated with the port to find the specified pool name. If the pool is not found on the port, the system will then look at named pools defined at the ports MDA level. If the pool name is not found on either the port or MDA, the queue will be marked as ‘pool-orphaned’ and will be mapped to the appropriate default pool. If the pool comes into existence, the queue will be moved from the default pool to the new named pool and the ‘pool-orphaned’ state will be cleared. The specified name must be an ASCII name string up to 16 characters long. This parameter applies only to the 7450 ESS and 7750 SR.

**Values** Any valid ASCII name string

**Default** None

The queue’s pool association may only be removed by either re-executing the queue command without the pool keyword or by executing the no pool command within the queue’s CLI context. When the pool name is removed, the queue will be placed on the appropriate default pool.

### adaptation-rule

|                    |                                                                                                                                                                                                                                                                                                                                                                                                                                                                                                                                                                                                                                                                                                                                                                                                                                                                                                                                                                                                                                                                                                                                                                                                                                                                                                                                                                                                                                                                                                                                                            |
|--------------------|------------------------------------------------------------------------------------------------------------------------------------------------------------------------------------------------------------------------------------------------------------------------------------------------------------------------------------------------------------------------------------------------------------------------------------------------------------------------------------------------------------------------------------------------------------------------------------------------------------------------------------------------------------------------------------------------------------------------------------------------------------------------------------------------------------------------------------------------------------------------------------------------------------------------------------------------------------------------------------------------------------------------------------------------------------------------------------------------------------------------------------------------------------------------------------------------------------------------------------------------------------------------------------------------------------------------------------------------------------------------------------------------------------------------------------------------------------------------------------------------------------------------------------------------------------|
| <b>Syntax</b>      | <b>adaptation-rule</b> [ <i>pir adaptation-rule</i> ] [ <i>cir adaptation-rule</i> ]<br><b>no adaptation-rule</b>                                                                                                                                                                                                                                                                                                                                                                                                                                                                                                                                                                                                                                                                                                                                                                                                                                                                                                                                                                                                                                                                                                                                                                                                                                                                                                                                                                                                                                          |
| <b>Context</b>     | config>qos>network-queue>queue                                                                                                                                                                                                                                                                                                                                                                                                                                                                                                                                                                                                                                                                                                                                                                                                                                                                                                                                                                                                                                                                                                                                                                                                                                                                                                                                                                                                                                                                                                                             |
| <b>Description</b> | <p>This command defines the method used by the system to derive the operational CIR and PIR settings when the queue is provisioned in hardware. For the CIR and PIR parameters individually, the system attempts to find the best operational rate depending on the defined constraint.</p> <p>The <b>no</b> form of the command removes any explicitly defined constraints used to derive the operational CIR and PIR created by the application of the policy. When a specific <b>adaptation-rule</b> is removed, the default constraints for <b>pir</b> and <b>cir</b> apply.</p>                                                                                                                                                                                                                                                                                                                                                                                                                                                                                                                                                                                                                                                                                                                                                                                                                                                                                                                                                                       |
| <b>Default</b>     | adaptation-rule pir closest cir closest                                                                                                                                                                                                                                                                                                                                                                                                                                                                                                                                                                                                                                                                                                                                                                                                                                                                                                                                                                                                                                                                                                                                                                                                                                                                                                                                                                                                                                                                                                                    |
| <b>Parameters</b>  | <i>adaptation-rule</i> — Specifies the adaptation rule to be used while computing the operational CIR or PIR value.                                                                                                                                                                                                                                                                                                                                                                                                                                                                                                                                                                                                                                                                                                                                                                                                                                                                                                                                                                                                                                                                                                                                                                                                                                                                                                                                                                                                                                        |
| <b>Values</b>      | <p><b>pir</b> — Defines the constraints enforced when adapting the PIR rate defined within the <b>queue queue-id rate</b> command. The <b>pir</b> parameter requires a qualifier that defines the constraint used when deriving the operational PIR for the queue. When the <b>pir</b> command is not specified, the default applies.</p> <p><b>cir</b> — Defines the constraints enforced when adapting the CIR rate defined within the <b>queue queue-id rate</b> command. The <b>cir</b> parameter requires a qualifier that defines the constraint used when deriving the operational CIR for the queue. When the <b>cir</b> parameter is not specified, the default constraint applies.</p> <p><b>max</b> — The <b>max</b> (maximum) option is mutually exclusive with the <b>min</b> and <b>closest</b> options. When <b>max</b> is defined, the operational PIR for the queue will be equal to or less than the administrative rate specified using the <b>rate</b> command.</p> <p><b>min</b> — The <b>min</b> (minimum) option is mutually exclusive with the <b>max</b> and <b>closest</b> options. When <b>min</b> is defined, the operational PIR for the queue will be equal to or greater than the administrative rate specified using the <b>rate</b> command.</p> <p><b>closest</b> — The <b>closest</b> parameter is mutually exclusive with the <b>min</b> and <b>max</b> parameter. When <b>closest</b> is defined, the operational PIR for the queue will be the rate closest to the rate specified using the <b>rate</b> command.</p> |

### avg-frame-overhead

|               |                                                                          |
|---------------|--------------------------------------------------------------------------|
| <b>Syntax</b> | <b>avg-frame-overhead</b> <i>percent</i><br><b>no avg-frame-overhead</b> |
|---------------|--------------------------------------------------------------------------|



**Context** config>qos>network-queue>queue

**Description** This command configures the average frame overhead to define the average percentage that the offered load to a queue will expand during the frame encapsulation process before sending traffic on-the-wire. While the avg-frame-overhead value may be defined on any queue, it is only used by the system for queues that egress a SONET or SDH port or channel. Queues operating on egress Ethernet ports automatically calculate the frame encapsulation overhead based on a 20 byte per packet rule (8 bytes for preamble and 12 bytes for Inter-Frame Gap).

When calculating the frame encapsulation overhead for port scheduling purposes, the system determines the following values:

- **Offered-Load** — The offered-load of a queue is calculated by starting with the queue depth in octets, adding the received octets at the queue and subtracting queue discard octets. The result is the number of octets the queue has available to transmit. This is the packet-based offered-load.
- **Frame-encapsulation overhead** — Using the avg-frame-overhead parameter, the frame-encapsulation overhead is simply the queue's current offered-load (how much has been received by the queue) multiplied by the avg-frame-overhead. If a queue had an offered load of 10,000 octets and the avg-frame-overhead equals 10%, the frame-encapsulation overhead would be  $10,000 \times 0.1$  or 1,000 octets.

For egress Ethernet queues, the frame-encapsulation overhead is calculated by multiplying the number of offered-packets for the queue by 20 bytes. If a queue was offered 50 packets then the frame-encapsulation overhead would be  $50 \times 20$  or 1,000 octets.

- **Frame-based offered-load** — The frame-based offered-load is calculated by adding the offered-load to the frame-encapsulation overhead. If the offered-load is 10,000 octets and the encapsulation overhead was 1,000 octets, the frame-based offered-load would equal 11,000 octets.
- **Packet to frame factor** — The packet-to-frame factor is calculated by dividing the frame-encapsulation overhead by the queue's offered-load (packet based). If the frame-encapsulation overhead is 1,000 octets and the offered-load is 10,000 octets then the packet to frame factor would be  $1,000 / 10,000$  or 0.1. When in use, the avg-frame-overhead will be the same as the packet to frame factor making this calculation unnecessary.
- **Frame-based CIR** — The frame-based CIR is calculated by multiplying the packet to frame factor with the queue's-configured CIR and then adding that result to that CIR. If the queue CIR is set at 500 octets and the packet to frame factor equals 0.1, the frame-based CIR would be  $500 \times 1.1$  or 550 octets.
- **Frame-based within-cir offered-load** — The frame-based within-cir offered-load is the portion of the frame-based offered-load considered to be within the frame-based CIR. The frame-based within-cir offered-load is the lesser of the frame-based offered-load and the frame-based CIR. If the frame-based offered-load equaled 11000 octets and the frame-based CIR equaled 550 octets, the frame-based within-cir offered-load would be limited to 550 octets. If the frame-based offered-load equaled 450 octets and the frame-based CIR equaled 550 octets, the frame-based within-cir offered-load would equal 450 octets (or the entire frame-based offered-load).

## Network Queue QoS Policy Command Reference

As a special case, when a queue or associated intermediate scheduler is configured with a CIR-weight equal to 0, the system automatically sets the queue's frame-based within-cir offered-load to 0, preventing it from receiving bandwidth during the port scheduler's within-cir pass.

- **Frame-based PIR** — The frame-based PIR is calculated by multiplying the packet to frame-factor with the queue's-configured PIR and then adding the result to that PIR. If the queue PIR is set to 7500 octets and the packet to frame-factor equals 0.1, the frame-based PIR would be  $7,500 \times 1.1$  or 8,250 octets.
- **Frame-based within-pir offered-load** — The frame-based within-pir offered-load is the portion of the frame-based offered-load considered to be within the frame-based PIR. The frame-based within-pir offered-load is the lesser of the frame-based offered-load and the frame-based PIR. If the frame-based offered-load equaled 11,000 octets and the frame-based PIR equaled 8250 octets, the frame-based within-pir offered-load would be limited to 8,250 octets. If the frame-based offered-load equaled 7,000 octets and the frame-based PIR equaled 8,250 octets, the frame-based within-pir offered load would equal 7,000 octets.

**Port Scheduler Operation Using Frame Transformed Rates** — The port scheduler uses the frame based rates to figure the maximum rates that each queue may receive during the within-cir and above-cir bandwidth allocation passes. During the within-cir pass, a queue may receive up to its frame based within-cir offered-load. The maximum it may receive during the above-cir pass is the difference between the frame based within-pir offered load and the amount of actual bandwidth allocated during the within-cir pass.

**SAP and Subscriber SLA-Profile Average Frame Overhead Override** (applies only to the 7450 ESS and 7750 SR) — The average frame overhead parameter on a sap-egress may be overridden at an individual egress queue basis. On each SAP and within the sla-profile policy used by subscribers an avg-frame-overhead command may be defined under the queue-override context for each queue. When overridden, the queue instance will use its local value for the average frame overhead instead of the sap-egress-defined overhead.

The **no** form of this command restores the average frame overhead parameter for the queue to the default value of 0 percent. When set to 0, the system uses the packet based queue statistics for calculating port scheduler priority bandwidth allocation. If the no avg-frame-overhead command is executed in a queue-override queue id context, the avg-frame-overhead setting for the queue within the sap-egress QoS policy takes effect.

**Default** 0

**Parameters** *percent* — This parameter sets the average amount of packet-to-frame encapsulation overhead expected for the queue. This value is not used by the system for egress Ethernet queues.

**Values** 0.00 to 100.00

**cbs**

**Syntax** **cbs percent**  
**no cbs**

**Context** config>qos>network-queue>queue

**Description** The Committed Burst Size (**cbs**) command specifies the relative amount of reserved buffers for a specific ingress network XMA or MDA forwarding class queue or egress network port forwarding class queue. The value is entered as a percentage.

The CBS for a queue is used to determine whether it has exhausted its reserved buffers while enqueueing packets. Once the queue has exceeded the amount of buffers considered in reserve for this queue, it must contend with other queues for the available shared buffer space within the buffer pool. Access to this shared pool space is controlled through Random Early Detection (RED) slope application.

Two RED slopes are maintained in each buffer pool. A high priority slope is used by in-profile packets. A low priority slope is used by out-of-profile packets. At egress, there is an additional RED slope maintained in each buffer pool, the exceed slope, which is used by exceed-profile packets. All Network-Control and Management packets are considered in-profile. Assured packets are handled by their in-profile and out-of-profile markings. All Best-Effort packets are considered out-of-profile. Premium queues should be configured such that the CBS percent is sufficient to prevent shared buffering of packets. This is generally taken care of by the CIR scheduling of Premium queues and the overall small amount of traffic on the class. Premium queues in a properly designed system will drain before all others, limiting their buffer utilization.

The RED slopes will detect congestion conditions and work to discard packets and slow down random TCP session flows through the queue. The RED slope definitions can be defined, modified or disabled through the network-queue policy assigned to the XMA or MDA for the network ingress buffer pool or assigned to the network port for network egress buffer pools.

The resultant CBS size can be larger than the MBS. This will result in a portion of the CBS for the queue to be unused and should be avoided.

The **no** form of this command returns the CBS size for the queue to the default for the forwarding class.

**Default** The **cbs** forwarding class defaults are listed in the [Table 26](#).

**Table 26: cbs forwarding class defaults**

| Forwarding Class | Forwarding Class Label | Default CBS |
|------------------|------------------------|-------------|
| Network-Control  | nc                     | 3           |
| High-1           | h1                     | 3           |
| Expedited        | ef                     | 1           |
| High-2           | h2                     | 1           |
| Low-1            | l1                     | 3           |
| Assured          | af                     | 1           |
| Low-2            | l2                     | 3           |
| Best-Effort      | be                     | 1           |

## Network Queue QoS Policy Command Reference

**Special Cases**    **Forwarding Class Queue on Egress Network Port or Channel** — For network egress, each forwarding class is supported by an egress queue on a per network port basis. These forwarding class-based queues are automatically created once a port or channel is placed in the network mode. The configuration parameters for each queue come from the applied egress network-queue policy on the network port or channel. Forwarding Class Queue on egress channel applies only to the 7450 ESS and 7750 SR.

The **cbs** value is used to calculate the queue's CBS size based on the total amount of buffer space allocated for the buffer pool on the egress network port or channel. This buffer pool size will dynamically fluctuate based on the port or channel's egress pool size setting.

The total reserved buffers based on the total percentages can exceed 100 percent. This might not be desirable and should be avoided as a rule of thumb. If the total percentage equals or exceeds 100 percent of the buffer pool size, no buffers will be available in the shared portion of the pool. Any queue exceeding its CBS size will experience a hard drop on all packets until it drains below this threshold.

**Forwarding Class Queue on Ingress XMA or MDA** — For network ingress, each forwarding class is supported by an ingress queue per XMA or MDA. These forwarding class queues are automatically created once a single port or channel is placed in the network mode on the XMA/MDA and are removed once all network ports or channels are removed from the XMA/MDA (defined as access). The configuration parameters for each queue come from the applied ingress policy under the network context of the XMA or MDA.

The **cbs** value is used to calculate the queue's CBS size based on the total amount buffer space allocated for the network ingress buffer pool on the XMA or MDA. This buffer pool will dynamically fluctuate based on the sum of all ingress pool sizes for all network ports and channels on the XMA or MDA.

The total reserved buffers based on the total percentages can exceed 100 percent. This might not be desirable and should be avoided as a rule of thumb. If the total percentage equals or exceeds 100 percent of the buffer pool size, no buffers will be available in the shared portion of the pool. Any queue exceeding its CBS size will experience a hard drop on all packets until it drains below this threshold.

**Parameters**    *percent* — The percent of buffers reserved from the total buffer pool space, expressed as a decimal integer. If 10 MB is the total buffers in the buffer pool, a value of 10 would reserve 1MB (10%) of buffer space for the forwarding class queue. The value 0 specifies that no reserved buffers are required by the queue (a minimal reserved size can be applied for scheduling purposes).

**Values**    0 to 100

### high-prio-only

**Syntax**    **high-prio-only** *percent*  
**no high-prio-only**

**Context**    config>qos>network-queue>queue

**Description**    The **high-prio-only** command allows the reservation of queue buffers for use exclusively by high priority packets as a default condition for access buffer queues for this network queue policy.

The difference between the MBS size for the queue and the high priority reserve defines the threshold where lower priority traffic will be discarded. The result is used on the queue to define a threshold where lower priority packets are discarded, leaving the rest of the default MBS size for high priority packets only. If the current MBS for the queue is 10MBytes, a value of 5 will result in a high priority reserve on the queue of 576 KBytes. A value of 0 specifies that none of the MBS of the queue will be reserved for high priority traffic. This does not affect RED slope operation for packets attempting to be queued.

Modifying the current MBS for the queue through the **mbs** command will cause the default **high-prio-only** function to be recalculated and applied to the queue. The **high-prio-only** command as defined for the specific queue can be used to override the default **high-prio-only** setting as defined in the network queue policy. Network queues also have a **hi-low-prio-only** drop tail which defaults to an additional 10% of the MBS value on top of the **high-prio-only** setting, however, the **hi-low-prio-only** is not configurable for egress network queues in a network queue policy.

Network queues also have a **hi-low-prio-only** drop tail which defaults to an additional 10% of the MBS value on top of the **high-prio-only** setting, however, the **hi-low-prio-only** is not configurable for egress network queues in a network queue policy.

The **no** form of this command restores the default value.

**Default** 10%

**Parameters** *percent* — The amount of queue buffer space, expressed as a decimal percentage of the MBS.

**Values** 0 to 100, default

## mbs

**Syntax** **mbs** *percent*  
**no mbs**

**Context** config>qos>network-queue>queue

**Description** The Maximum Burst Size (**mbs**) command specifies the relative amount of the buffer pool space for the maximum buffers for a specific ingress network XMA or MDA forwarding class queue or egress network port forwarding class queue. The value is entered as a percentage.

The MBS value is used to by a queue to determine whether it has exhausted its total allowed buffers while enqueueing packets. Once the queue has exceeded its maximum amount of buffers, all packets are discarded until the queue transmits a packet. A queue that has not exceeded its MBS size is not guaranteed that a buffer will be available when needed or that the packet's RED slope will not force the discard of the packet. Setting proper CBS parameters and controlling CBS oversubscription is one major safeguard to queue starvation (when a queue does not receive its fair share of buffers). Another is properly setting the RED slope parameters for the needs of the network queues.

The MBS size can sometimes be smaller than the CBS. This will result in a portion of the CBS for the queue to be unused and should be avoided.

The **no** form of the command returns the MBS size for the queue to the default for the forwarding class.

## Network Queue QoS Policy Command Reference

**Special Cases**     **Forwarding Class Queue on Egress Network Port or Channel** — For network egress, each forwarding class is supported by an egress queue on a per network port basis. These forwarding class-based queues are automatically created once a port or channel is placed in the network mode. The configuration parameters for each queue come from the applied egress policy on the network port or channel. Forwarding Class Queue on egress channel applies only to the 7450 ESS and 7750 SR.

The **mbs** value is used to calculate the queue's MBS size based on the total amount buffer space allocated for the buffer pool on the egress network port or channel. This buffer pool size will dynamically fluctuate based on the port or channels egress pool size setting.

The total MBS settings for all network egress queues on the port or channel based on the total percentages can exceed 100 percent. Some over-subscription can be desirable to allow exceptionally busy forwarding classes more access to buffer space. The proper use of CBS settings will ensure that oversubscribing MBS settings will not starve other queues of buffers when needed.

**Forwarding Class Queue on Ingress XMA or MDA** — For network ingress, each forwarding class is supported by an ingress queue per XMA or MDA. These forwarding class queues are automatically created once a single port or channel is placed in the network mode on the XMA/MDA and are removed once all network ports or channels are removed from the XMA/MDA (defined as access). The configuration parameters for each queue come from the applied ingress policy under the network context of the XMA or MDA.

The **mbs** value is used to calculate the queue's MBS size based on the total amount buffer space allocated for the network ingress buffer pool on the XMA or MDA. This buffer pool will dynamically fluctuate based on the sum of all ingress pool sizes for all network ports and channels on the XMA or MDA.

The total MBS settings for all network egress queues on the port or channel based on the total percentages can exceed 100 percent. Some over-subscription can be desirable to allow exceptionally busy forwarding classes more access to buffer space. The proper use of CBS settings will ensure that oversubscribing MBS settings will not starve other queues of buffers when needed.

**Parameters**     *percent* — The percent of buffers from the total buffer pool space for the maximum amount of buffers, expressed as a decimal integer. If 10 MB is the total buffers in the buffer pool, a value of 10 would limit the maximum queue size to 1MB (10%) of buffer space for the forwarding class queue. If the total size is increased to 20MB, the existing value of 10 would automatically increase the maximum size of the queue to 2MB.

**Values**     0 to 100

## pool

**Syntax**     **pool** *pool-name* [**create**]  
              **no pool** *pool-name*

**Context**     config>qos>network-queue>queue

**Description** This command is utilized once the queue is created within the policy. The pool command may be used to either remove the queue from the pool, or specify a new pool name association for the queue. The pool command does not appear in save or show command output. Instead, the current pool name for the queue will appear (or not appear) on the queue command output using the pool keyword.

The **no** form of the command removes a named pool association for the queue. When the pool name is removed, the queue will be placed on the appropriate default pool.

This command only applies to the 7450 ESS and 7750 SR.

**Default** None

**Parameters** *pool-name* — The specified *pool-name* identifies a named pool where the policy will be applied. Each queue created within the system is tied to a physical port. When the policy is applied and the queue is created, the system will scan the named pools associated with the port to find the specified pool name. If the pool is not found on the port, the system will then look at named pools defined at the ports MDA level. If the pool name is not found on either the port or MDA, the queue will be marked as ‘pool-orphaned’ and will be mapped to the appropriate default pool. If the pool comes into existence, the queue will be moved from the default pool to the new named pool and the ‘pool-orphaned’ state will be cleared. The specified name must be an ASCII name string up to 32 characters long.

## port-parent

**Syntax** **port-parent** [**weight** *weight*] [**level** *level*] [**cir-weight** *cir-weight*] [**cir-level** *cir-level*]  
**no port-parent**

**Context** config>qos>network-queue>queue

**Description** This command specifies whether this queue feeds off a port-level scheduler. For the network-queue policy context, only the port-parent command is supported. When a port scheduler exists on the port, network queues without a port-parent association will be treated as an orphan queue on the port scheduler and treated according to the current orphan behavior on the port scheduler. If the port-parent command is defined for a network queue on a port without a port scheduler defined, the network queue will operate as if a parent association does not exist. Once a port scheduler policy is associated with the egress port, the port-parent command will come into effect.

When a network-queue policy is associated with an XMA, MDA, or CMA for ingress queue definition, the port-parent association of the queues are ignored.

The **no** form of this command removes a port scheduler parent association for the queue or scheduler. If a port scheduler is defined on the port which the queue or scheduler instance exists, the queue or scheduler will become orphaned.

**Default** no port-parent

## Network Queue QoS Policy Command Reference

|                   |                                                                                                                                                                                                                                                                                                                                                                                                                                                                                                                                                                                                                                                                                                                                                                                                                                                                                                                                                                                                                                                                                                                                                                                                                                                                                                                                                                                                                                                                                                                                                                                                                        |
|-------------------|------------------------------------------------------------------------------------------------------------------------------------------------------------------------------------------------------------------------------------------------------------------------------------------------------------------------------------------------------------------------------------------------------------------------------------------------------------------------------------------------------------------------------------------------------------------------------------------------------------------------------------------------------------------------------------------------------------------------------------------------------------------------------------------------------------------------------------------------------------------------------------------------------------------------------------------------------------------------------------------------------------------------------------------------------------------------------------------------------------------------------------------------------------------------------------------------------------------------------------------------------------------------------------------------------------------------------------------------------------------------------------------------------------------------------------------------------------------------------------------------------------------------------------------------------------------------------------------------------------------------|
| <b>Parameters</b> | <p><b>weight</b> <i>weight</i> — Defines the weight the queue or scheduler will use at the above-cir port priority level (defined by the level parameter).</p> <p><b>Values</b> 0 to 100</p> <p><b>Default</b> 1</p> <p><b>level</b> <i>level</i> — Defines the port priority the queue or scheduler will use to receive bandwidth for its above-cir offered-load.</p> <p><b>Values</b> 1 to 8 (8 is the highest priority)</p> <p><b>Default</b> 1</p> <p><b>cir-weight</b> <i>cir-weight</i> — Defines the weight the queue or scheduler will use at the within-cir port priority level (defined by the cir-level parameter). The weight is specified as an integer value from 0 to 100 with 100 being the highest weight. When the cir-weight parameter is set to a value of 0, the queue or scheduler does not receive bandwidth during the port scheduler's within-cir pass and the cir-level parameter is ignored. If the cir-weight parameter is 1 or greater, the cir-level parameter comes into play.</p> <p><b>Values</b> 0 to 100</p> <p><b>Default</b> 1</p> <p><b>cir-level</b> <i>cir-level</i> — Defines the port priority the queue or scheduler will use to receive bandwidth for its within-cir offered-load. If the cir-weight parameter is set to a value of 0 (the default value), the queue or scheduler does not receive bandwidth during the port scheduler's within-cir pass and the cir-level parameter is ignored. If the cir-weight parameter is 1 or greater, the cir-level parameter comes into play.</p> <p><b>Values</b> 0 to 8 (8 is the highest priority)</p> <p><b>Default</b> 0</p> |
|-------------------|------------------------------------------------------------------------------------------------------------------------------------------------------------------------------------------------------------------------------------------------------------------------------------------------------------------------------------------------------------------------------------------------------------------------------------------------------------------------------------------------------------------------------------------------------------------------------------------------------------------------------------------------------------------------------------------------------------------------------------------------------------------------------------------------------------------------------------------------------------------------------------------------------------------------------------------------------------------------------------------------------------------------------------------------------------------------------------------------------------------------------------------------------------------------------------------------------------------------------------------------------------------------------------------------------------------------------------------------------------------------------------------------------------------------------------------------------------------------------------------------------------------------------------------------------------------------------------------------------------------------|

### rate

|                    |                                                                                                                                                                                                                                                                                                                                                                                                                                                                                                                                                                                                                                                                                                                                                                                                                                                                                                                                                                                                                                                                            |
|--------------------|----------------------------------------------------------------------------------------------------------------------------------------------------------------------------------------------------------------------------------------------------------------------------------------------------------------------------------------------------------------------------------------------------------------------------------------------------------------------------------------------------------------------------------------------------------------------------------------------------------------------------------------------------------------------------------------------------------------------------------------------------------------------------------------------------------------------------------------------------------------------------------------------------------------------------------------------------------------------------------------------------------------------------------------------------------------------------|
| <b>Syntax</b>      | <b>rate</b> <i>percent</i> [ <b>cir</b> <i>percent</i> ]<br><b>no rate</b>                                                                                                                                                                                                                                                                                                                                                                                                                                                                                                                                                                                                                                                                                                                                                                                                                                                                                                                                                                                                 |
| <b>Context</b>     | config>qos>network-queue>queue                                                                                                                                                                                                                                                                                                                                                                                                                                                                                                                                                                                                                                                                                                                                                                                                                                                                                                                                                                                                                                             |
| <b>Description</b> | <p>This command defines the administrative Peak Information Rate (PIR) and the administrative Committed Information Rate (CIR) parameters for the queue. The PIR defines the percentage that the queue can transmit packets through the switch fabric (for SAP ingress queues) or out an egress interface (for SAP egress queues). Defining a PIR does not necessarily guarantee that the queue can transmit at the intended rate. The actual rate sustained by the queue can be limited by oversubscription factors or available egress bandwidth.</p> <p>The CIR defines the percentage at which the system prioritizes the queue over other queues competing for the same bandwidth. For SAP ingress, the CIR also defines the rate that packets are considered in-profile by the system. In-profile then out-of-profile packets are preferentially queued by the system at egress and at subsequent next hop nodes where the packet can traverse. To be properly handled throughout the network, the packets must be marked accordingly for profiling at each hop.</p> |



The CIR can be used by the queue's parent commands *cir-level* and *cir-weight* parameters to define the amount of bandwidth considered to be committed for the child queue during bandwidth allocation by the parent scheduler.

The **rate** command can be executed at anytime, altering the PIR and CIR rates for all queues created through the association of the SAP ingress or SAP egress QoS policy with the *queue-id*.

The **no** form of the command returns all queues created with the *queue-id* by association with the QoS policy to the default PIR and CIR parameters (100, 0).

**Parameters** *cir percent* — Defines the percentage of the guaranteed rate allowed for the queue. When the **rate** command is executed, a valid PIR setting must be explicitly defined. When the **rate** command has not been executed, the default PIR of **100** is assumed. Fractional values are not allowed and must be given as a positive integer.

The actual PIR rate is dependent on the queue's **adaptation-rule** parameters and the actual hardware where the queue is provisioned.

**Values** 0 to 100

**Default** 100

*cir percent* — Defines the percentage of the maximum rate allowed for the queue. When the **rate** command is executed, a CIR setting is optional. When the **rate** command has not been executed or the **cir** parameter is not explicitly specified, the default CIR (0) is assumed. Fractional values are not allowed and must be given as a positive integer.

**Values** 0 to 100

**Default** 0

## Show Commands

### network-queue

**Syntax** **network-queue** [*network-queue-policy-name*] [**detail**]

**Context** show>qos

**Description** This command displays network queue policy information.

**Parameters** *network-queue-policy-name* — The name of the network queue policy.

**Values** Valid names consist of any string up to 32 characters long composed of printable, 7-bit ASCII characters. If the string contains special characters (#, \$, spaces, etc.), the entire string must be enclosed within double quotes.

**detail** — Includes each queue's rates and adaptation-rule and & cbs details. It also shows FC to queue mapping details.

**Table 27: Network Queue Labels and Descriptions**

| Label       | Description                                                                         |
|-------------|-------------------------------------------------------------------------------------|
| Policy      | The policy name that uniquely identifies the policy.                                |
| Description | A text string that helps identify the policy's context in the configuration file.   |
| Port-Id     | Displays the physical port identifier where the network queue policy is applied.    |
| Queue       | Displays the queue ID.                                                              |
| CIR         | Displays the committed information rate.                                            |
| PIR         | Displays the peak information rate.                                                 |
| CBS         | Displays the committed burst size.                                                  |
| MBS         | Displays the maximum burst size.                                                    |
| HiPrio      | Displays the high priority value.                                                   |
| FC          | Displays FC to queue mapping.                                                       |
| UCastQ      | Displays the specific unicast queue to be used for packets in the forwarding class. |

```

A:ALA-12# show qos network-queue nq1
=====
QoS Network Queue Policy
=====
Network Queue Policy (nq1)

Policy : nq1
Description : (Not Specified)

Associations

Port-id : 1/1/1
=====
A:ALA-12>show>qos#

A:ALA-12>show>qos# network-queue nq1 detail
=====
QoS Network Queue Policy
=====
Network Queue Policy (nq1)

Policy : nq1
Description : (Not Specified)

Queue CIR PIR CBS MBS HiPrio

1 0 100 1 50 10
2 25 100 5 50 10
3 25 100 20 50 10

```

## Network Queue QoS Policies

|   |     |     |    |    |    |
|---|-----|-----|----|----|----|
| 4 | 25  | 100 | 5  | 25 | 10 |
| 5 | 100 | 100 | 20 | 50 | 10 |
| 6 | 100 | 100 | 20 | 50 | 10 |
| 7 | 10  | 100 | 5  | 25 | 10 |
| 8 | 10  | 100 | 5  | 25 | 10 |

-----  
FC                    UCastQ  
-----

|    |   |
|----|---|
| be | 1 |
| l2 | 2 |
| af | 3 |
| l1 | 4 |
| h2 | 5 |
| ef | 6 |
| h1 | 7 |
| nc | 8 |

-----  
Associations  
-----

Port-id : 1/1/1  
=====

A:ALA-12>show>qos#



# Service Egress and Ingress QoS Policies

---

## In This Section

This section provides information to configure SAP ingress and egress QoS policies using the command line interface.

Topics in this section include:

- [Overview](#)
- [Basic Configurations](#)
- [Service Egress QoS Policy](#)
  - [Service Egress QoS Queue](#)
  - [Percent-Rate Support](#)
  - [Dynamic MBS for Egress Queue Group Queues](#)
  - [Egress SAP Forwarding Class and Forwarding Profile Overrides](#)
  - [Egress Criteria Classification Directly to Policer](#)
  - [Dot1p Egress Remarking](#)
  - [Queue Depth Monitoring](#)
- [Service Ingress QoS Policy](#)
  - [Service Ingress QoS Queue](#)
  - [Percent-Rate Support](#)
  - [Service Ingress Forwarding Class \(FC\)](#)
  - [Service Ingress IP Match Criteria](#)
  - [Service Ingress IP Match Criteria](#)
  - [Service Ingress IPv6 Match Criteria](#)
  - [Service Ingress MAC Match Criteria](#)
  - [Ingress Criteria Classification Directly to Policer](#)
  - [Virtual Network Identifier \(VNI\) Classification](#)
  - [FC Mapping Based on EXP Bits](#)
- [Service Management Tasks](#)
  - [Applying Service Ingress and Egress Policies](#)

- [Editing QoS Policies](#)
- [Copying and Overwriting QoS Policies](#)
- [Deleting QoS Policies](#)
- [Remove a Policy from the QoS Configuration](#)

## Overview

There is one default service ingress policy and one default service egress policy. Each policy can have up to 32 ingress queues and 8 egress queues per service.

The default policies can be copied and modified but they cannot be deleted. The default policies are identified as policy ID 1.

The default policies are applied to the appropriate interface, by default. For example, the default SAP ingress policy is applied to access ingress SAPs. The default SAP egress policy is applied to access egress SAPs. You must explicitly associate other QoS policies.

For information about the tasks and commands necessary to access the command line interface and to configure and maintain your router, refer to the CLI Usage chapter in the Basic System Configuration Guide.

## Basic Configurations

A basic service egress QoS policy must conform to the following:

- Have a unique service egress QoS policy ID.
- Have a QoS policy scope of template or exclusive.
- Have at least one defined default queue.

A basic service ingress QoS policy must conform to the following:

- Have a unique service ingress QoS policy ID.
- Have a QoS policy scope of template or exclusive.
- Have at least one default unicast forwarding class queue.
- Have at least one multipoint forwarding class queue.

Configuring and applying QoS policies is optional. If no QoS policy is explicitly applied to a SAP or IP interface, a default QoS policy is applied.

- [Percent-Rate Support](#)
- [Service Egress QoS Policy](#)
- [Service Ingress QoS Policy](#)

## Service Egress QoS Policy

To create a service egress policy, you must define the following:

- A new policy ID value. The system will not dynamically assign a value.
- Specify the scope. A QoS policy must be defined as having either an *exclusive* scope for one-time use, or a *template* scope which enables its use with multiple SAPs.
- Include a description. The description provides a brief overview of policy features.

After the policy is created, the policy's behavior can be defined:

- Specify the forwarding class. The forwarding class name or names associated with the egress queue. The egress queue for the service traffic is selected based on the forwarding classes that are associated with the queue.
- A new queue ID value. The system will not dynamically assign a value.
- Define queue parameters. Queues support explicit and auto-expedite hardware queue scheduling, and parent virtual scheduler definition.

The following displays an egress QoS policy configuration:

```
A:ALA-7>config>qos# info
#-----
echo "QoS Policy Configuration"
#-----
...
 sap-egress 105 create
 description "SAP egress policy"
 queue 1 create
 exit
 queue 2 create
 exit
 queue 3 expedite create
 parent test1
 exit
 fc af create
 queue 1
 exit
 fc ef create
 queue 2
 exit
 exit
...
#-----
```

## Service Egress QoS Policy

```
A:ALA-7>config>qos#
```

### Service Egress QoS Queue

To create a service egress queue parameters, define the following:

- A new queue ID value. The system will not dynamically assign a value.
- Define queue parameters. Egress queues support explicit and auto-expedite hardware queue scheduling, and parent virtual scheduler definition.

The following displays an egress QoS policy configuration:

```
A:ALA-7>config>qos# info

...
 sap-egress 105 create
 description "SAP egress policy"
 queue 1 create
 parent "scheduler-tier1"
 exit
 queue 2 create
 exit
 queue 3 expedite create
 parent "test1"
 exit
 fc af create
 queue 1
 exit
 fc ef create
 exit
 exit
...

A:ALA-7>config>qos#
```

### Percent-Rate Support

The **percent-rate** command is supported for **pir** and **cir** parameters for both queues and policers. Also supported is the capability of specifying the rate as a percentage value of the line rate for **sap-ingress** and **sap-egress** qos policies. It is supported for both queues and policers. The user has the option of specifying **percent-rate** for **pir** and **cir** parameters. For **pir**, the range is 0.01 to 100.00, and for **cir**, the range is 0.00 to 100.00.

The rate can be also configured using the existing keyword **rate** in Kbps.

For queues, when the queue rate is in percent-rate either a local-limit or a port-limit can be applied.



When the local-limit is used the percent-rate is relative to the queue's parent scheduler rate or the agg-rate rate at egress, when the port-limit is used the percent-rate is relative to the rate of the port (including the ingress-rate/egress-rate setting) to which the queue is attached. port-limit is the default.

For policers, the percent-rate rate is always relative to the immediate parent root policer/arbiter rate or the FP capacity.

SAP-Egress QoS Policy:

```
*B:Dut-A>config>qos>sap-egress# queue 1 percent-rate
- no percent-rate
- percent-rate <pir-percent> [cir <cir-percent>] [port-limit | local-limit]

<pir-percent> : [0.01..100.00]
<cir-percent> : [0.00..100.00]
<port-limit | local-*> : keyword

*B:Dut-A>config>qos>sap-egress# policer 1 percent-rate
- no percent-rate
- percent-rate <pir-percent> [cir <cir-percent>]

<pir-percent> : [0.01..100.00]
<cir-percent> : [0.00..100.00]
```

## Dynamic MBS for Egress Queue Group Queues

Dynamic MBS is used to constrain the maximum delay experienced by the traffic forwarded through an egress queue group queue when the operational PIR of the queue is modified as part of the HQoS algorithm.

The approximate maximum delay of traffic through a queue due to the length of the queue which is not using HQoS is relative to its administrative PIR and can be approximated as  $(MBS[kB] \times 8) / PIR[kbps]$  in seconds. A queue's PIR is set to **max**, its administrative PIR is set to the rate of the port to which the queue is attached.

When using HQoS, the PIR is modified by the HQoS algorithm to give an operational PIR that is equal to or lower than the administrative PIR. As the operational PIR changes, the delay through the queue can also change if the length of the queue is fixed. Reducing the operational PIR could increase the delay, while increasing the operational PIR could reduce the delay. Enabling dynamic MBS on a queue allows the system to change the administrative MBS of the queue in a ratio of operational PIR to administrative PIR, giving an operational MBS, which aims to maintain the maximum queue delay. A queue's **high-prio-only**, **hi-low-prio-only**, and WRED slope parameters are defined as percentages of the MBS and are therefore adjusted accordingly.

## Service Egress QoS Policy

When any of the queue parameters are reduced, packets that are already in the queue will not be affected and will be forwarded. Reducing these parameters will constrain the latency for newly arriving packets, but those packets already in the queue before the new parameter values were set will be forwarded with the delay associated with the actual queue depth when the packet was enqueued (based on the previous parameter values).

The configured CBS is used as a minimum operational MBS. The maximum MBS is capped by the maximum administrative MBS (1 GB).

If the operational MBS changes such that its value is similar or equal to the configured CBS, the system increases the CBS to ensure that buffers can be requested from the correct portion of the buffer pool (shared or reserved); this operation is automatic and the CBS reverts to its configured value if the MBS is increased sufficiently. The automatic increase in the CBS could, however, cause the **resv-cbs** red or amber alarms to be raised if the increase in the related queues' CBS results in the total CBS assigned (but not necessarily used) matching or exceeding the **resv-cbs** red and amber thresholds.

If a LAG is used together with **pool-per-queue**, the related hardware queues exist in their own pool in the egress WRED megapool on a given FP and the operational MBS is used to size the shared part of the pool with the sum of the CBS defining the reserved part of the pool.

Dynamic MBS is supported for both native FP and **pool-per-queue** queues within an egress queue group template, which can be applied to access or network Ethernet ports and used for egress network interface traffic, egress SAP traffic, and subscriber egress policed traffic.

The configuration of dynamic MBS and queue depth monitoring are mutually exclusive.

Dynamic MBS is configured as follows:

```
configure
 qos
 queue-group-templates
 egress
 queue-group <queue-group-name> create
 queue <queue-id>
```

The operational MBS can be shown using the **show pools** and **show qos scheduler-hierarchy** commands.

The following example shows the use of dynamic MBS. A queue group template is applied to port 5/1/1 configured with multiple queues using HQoS, one of which has the following parameters:

```
queue-group "qg1" create
 queue 1 best-effort create
 parent "s1" cir-level 1
 rate 50000
```

```
mbs 1000 kilobytes
dynamic-mbs
exit
```

Without any traffic in the other queues constraining the operational PIR on this queue, the MBS used is the administrative MBS.

```
*B:PE# show pools access-egress 5/1/1 queue-group "qg1" instance 1
...
=====
Queue : accQGrp->qg1:1(5/1/1)->1
=====
FC Map : not-applicable
Tap : not-applicable
Admin PIR : 50000 Oper PIR : 50000
Admin CIR : 0 Oper CIR : 0
Admin MBS : 1008 KB Oper MBS : not-applicable
Hi Prio Only : 120 KB Hi Low Prio Only : 216 KB
CBS : 0 KB Depth : 0
Slope : not-applicable
```

If traffic is sent to the other queues in the queue group such that the operational PIR of queue 1 is reduced to 25 Mbps, the show output changes to:

```
*B:PE# show pools 5/1/1 access-egress queue-group "qg1" instance 1
...
=====
Queue : accQGrp->qg1:1(5/1/1)->1
=====
FC Map : not-applicable
Tap : not-applicable
Admin PIR : 50000 Oper PIR : 25000
Admin CIR : 0 Oper CIR : 0
Admin MBS : 1008 KB Oper MBS : 504 KB
Hi Prio Only : 60 KB Hi Low Prio Only : 108 KB
CBS : 0 KB Depth : 0
Slope : not-applicable
```

The output shows that the operational MBS is now 50% of the administrative MBS and that the queue's **high-prio-only** and **hi-low-prio-only** values have changed accordingly.

## Queue Length as a Delay Value

The length of a queue within an egress queue group template can be configured as a target queue delay, in milliseconds, rather than an absolute byte/kbytes value. The queue MBS is calculated from the queue delay and the administrative PIR with the MBS [kB] is approximately the value of  $((\text{queue delay}[\text{ms}]/1000) \times (\text{PIR}[\text{kbits}]/8))$ .

The queue delay is configured as follows:

```

configure
 qos
 queue-group-templates
 egress
 queue-group <queue-group-name> create
 queue <queue-id>
 queue-delay <ms>

```

The **queue-delay** command and the **mbs** command are mutually exclusive. In order to change between the **mbs** and **queue-delay** parameters, the current parameter must be removed before adding the new parameter, that is, changing from **mbs** to **queue-delay** requires a **no mbs** before the **queue-delay** is configured and changing from **queue-delay** to **mbs** requires a **no queue-delay** before the **mbs** is configured. If **queue-delay** is configured for an egress queue group queue, it is not possible to override the MBS for that queue.

An example of configuring queue delay and the resulting MBS is shown below:

```

*B:PE# configure qos queue-group-templates egress queue-group "qg2"
*B:PE>cfg>qos>qgrps>egr>qgrp# info

queue 1 best-effort create
 rate 50000
 queue-delay 100
 exit

*B:PE>cfg>qos>qgrps>egr>qgrp# exit all
*B:PE# show pools access-egress 5/1/1 queue-group "qg2" instance 1
...
=====
Queue : accQGrp->qg2:1(5/1/1)->1
=====
FC Map : not-applicable
Tap : not-applicable
Admin PIR : 50000 Oper PIR : 50000
Admin CIR : 0 Oper CIR : 0
Admin MBS : 612 KB Oper MBS : not-applicable
Hi Prio Only : 72 KB Hi Low Prio Only : 132 KB
CBS : 0 KB Depth : 0
Slope : not-applicable

```

## Egress SAP Forwarding Class and Forwarding Profile

## Overrides

An access egress packet's forwarding class can be changed to redirect the packet to an alternate queue than the ingress forwarding class determination would have used. An access egress packet's profile (in or out) can also be changed to modifying the congestion behavior within the egress queue. In both cases, egress marking decisions will be based on the new forwarding class and profile as opposed to the egress forwarding class or profile. The exception is when ingress remarking is configured. An ingress remark decision will not be affected by egress forwarding class or egress profile overrides.

The SAP egress QoS policy allows reclassification rules that are used to override the ingress forwarding class and profile of packets that egress a SAP where the QoS policy is applied.

Dot1p, IP precedence, DSCP and IP quintuple entries can be defined, each with an explicit forwarding class or profile override parameters. The reclassification logic for each entry follows the same basic hierarchical behavior as the classification rules within the SAP ingress QoS policy. Dot1p, IP precedence, and DSCP have the lowest match priority while the IP criteria (quintuple) entries have the highest. When an optional parameter (such as **profile**) for Dot1p, IP precedence, or DSCP entries is not specified, the value from the lower priority IP quintuple match for that parameter is preserved. If the IP precedence values overlap with DSCP values in that they will match the same IP header TOS field, the DSCP entry parameters will override or remove the IP precedence parameters. When none of the matched entries override a parameter, the ingress classification is preserved.

## Egress Criteria Classification Directly to Policer

It is possible to classify traffic directly to a policer, independent of the policer/queue assigned to the traffic's forwarding class. This is supported at SAP egress by configuring a policer in the **action** statement within an **ip-criteria** or **ipv6-criteria** statement.

The policed traffic by default exits through one of the following methods:

- A queue in the **policer-output-queues queue** group that is automatically created on an access or hybrid port with the queue used that was chosen by the forwarding class definition in that queue group. If the forwarding class is modified in the **action** statement then the new forwarding class selects the queue to be used.
- A specific queue in a user configured queue group. For SAP egress, this requires the use of the **port-redirect-queue-group queue** parameter in the criteria **action** statement with the queue group name being specified when the egress QoS policy is applied to the SAP. For subscribers, the queue group to be used is selected using the inter-dest-id associated with the subscriber and configured as the **host-match dest** under the port access queue group configuration.

## Service Egress QoS Policy

- A SAP queue configured within the SAP egress QoS policy.
- The queue to which the forwarding class for the traffic is mapped. This could be a queue group, SAP, or subscriber queue. This requires the use of the **use-fc-mapped-queue** parameter in the criteria **action** statement. If the forwarding class is modified in the **action** statement then new forwarding class selects the queue to be used.

The number of configuration combinations of a policer and one of the above methods is capped at 63 within a given SAP egress QoS policy. For two or more definitions to be counted as a single combination, their action statement must have the same policer ID, the same queue ID (if specified in either statement), the same **port-redirect-queue-group** (if specified in either statement) and the parameter **use-fc-mapped-queues** (if specified in either statement). The forwarding class and profile used are irrelevant when considering the number of combinations. For example, it is possible to configure 32 policers with traffic exiting queue 1 but then, only 31 of the same policers are exiting queue 2; this would use all 63 combinations. A resource is also allocated per FP where each combination configured corresponds to an egress bypass entry used in the FP per sap-instance or per subscriber-sap-sla instance which use the egress qos policy. The number of egress bypass entries available on an FP, together with the number allocated and the number free, can be seen using the following tools command.

```
*A:PE>tools>dump>resource-usage# card 1 fp 1
=====
Resource Usage Information for Card Slot #1 FP #1
=====

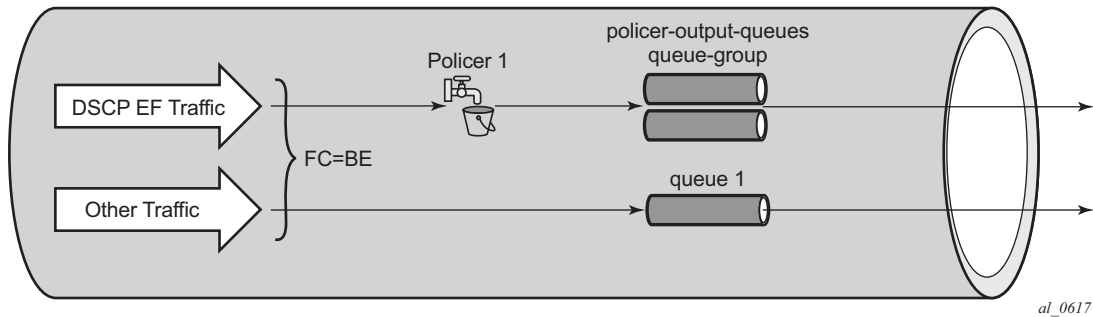
Total Allocated Free

...
Egress Qos Bypass 262143 0 262143
...
=====
```

This is supported on all FP2- and higher-based hardware, excluding when a HS-MDA is used. QPPB processing takes precedence over this feature.

This could be used, for example, when it is required that egress traffic with a DSCP value EF is to be policed instead of shaped in a queue on a given SAP. The traffic could be classified based on its DSCP value and directed to **policer 1** while the remainder of the customer's traffic is processed using egress **queue 1**. This is shown in [Figure 13](#).

Figure 13: Egress SAP



The configuration would be as follows:

```

sap-egress 10 create
 queue 1 create
 exit
 policer 1 create
 exit
 ip-criteria
 entry 10 create
 match
 dscp ef
 exit
 action policer 1
 exit
exit
exit

```

## Dot1p Egress Remarking

Dot1p marking can be performed on egress for all services and with respect to the profile of the packet and the VLAN tag.

The following commands can be used to remark the dot1p values at a SAP egress:

**CLI Syntax:**

```

sap-egress policy-id create
 fc fc-name create
 dot1p {dot1p-value | in-profile dot1p-value out-
 profile dot1p-value [exceed-profile dot1p-value]}
 dot1p-inner {dot1p-value | in-profile dot1p-value
 out-profile dot1p-value}
 dot1p-outer {dot1p-value | in-profile dot1p-value
 out-profile dot1p-value [exceed-profile dot1p-
 value]}

```

## Service Egress QoS Policy

```
exit
exit
```

The precedence of the above commands is summarized as, from highest to lowest precedence:

- dot1p-outer used for outer tag markings
- dot1p-inner used for inner tag markings
- existing dot1p used for marking both tags
- markings taken from packet received at ingress

The configuration of qinq-mark-top-only under the SAP egress takes precedence over the use of the dot1p-inner in the policy, i.e. the inner VLAN tag is not remarked when qinq-mark-top-only is configured (the marking used for the inner VLAN tag is based on the current default which is governed by the marking of the packet received at the ingress to the system). If qinq-mark-top-only is omitted, both the inner and outer VLAN tags are remarked.

Remarking the inner dot1p is not supported based on the profile result of egress policing.

The egress remarking occurs after any egress classification.

## DEI Egress Remarking

It is often desirable to meter traffic from different users to ensure fairness or to meet bandwidth guarantees. Dropping all traffic in excess of a committed rate is likely to result in severe under-utilization of the networks, since most traffic sources are bursty in nature. It is burdensome to meter traffic at all points in the network where bandwidth contention occurs. One solution is to mark those frames in excess of the committed rate as drop eligible on admission to the network.

Previously, the discard eligibility was marked / determined using existing QoS fields: for example, the three MPLS EXP and Ethernet dot1p bits. Using certain combination(s) of these bits to indicate both forwarding class (priority) and discard eligibility meant decreasing the number of Forwarding Classes that can be differentiated in the network.

IEEE 802.1ad-2005 and IEEE 802.1ah standards allow drop eligibility to be conveyed separately from priority, preserving all the eight forwarding classes (priorities) that could be indicated using the three 802.1p bits. Now all the previously introduced traffic types will be marked as drop eligible. Customers can continue to use the dot1p markings with the enhancement of changing the dot1p value used, in access, based on the profile information.

The following commands can be used to remark the DE values at a SAP egress:

**CLI Syntax:** `sap-egress <policy-id> create`



```

fc <fc-name> create
 de-mark [force <de-value>]
 de-mark-inner [force <de-value>]
 de-mark-outer [force <de-value>]
exit
exit

```

The DE bit is set to 0 for in-profile traffic and 1 for out-of-profile and exceed-profile traffic, unless explicitly forced.

The precedence of the above commands is summarized as, from highest to lowest precedence:

- de-mark-outer used for outer tag markings
- de-mark-inner used for inner tag markings
- existing de-mark used for marking both tags
- markings taken from packet received at ingress

The configuration of qinq-mark-top-only under the SAP egress takes precedence over the use of the de-mark-inner in the policy, i.e. the inner VLAN tag is not remarked when qinq-mark-top-only is configured (the marking used for the inner VLAN tag is based on the current default which is governed by the marking of the packet received at the ingress to the system). If qinq-mark-top-only is omitted, both the inner and outer VLAN tags are remarked.

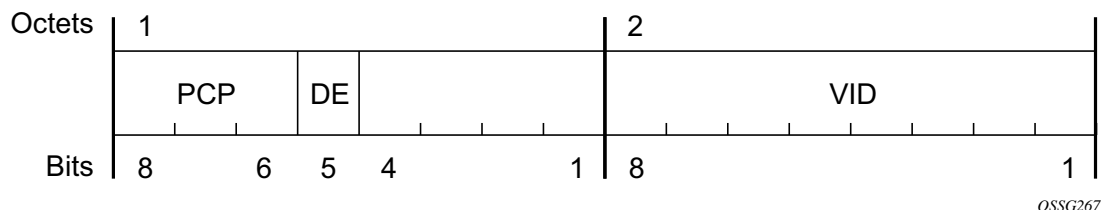
Remarking the inner DE bit is not supported based on the profile result of egress policing.

The egress remarking occurs after any egress classification.

### DEI in IEEE 802.1ad

IEEE 802.1ad-2005 standard allows drop eligibility to be conveyed separately from priority in service VLAN TAGs (STAGs). The service VLAN TAG has a new format where the priority and discard eligibility parameters are conveyed in the three bit priority code point (PCP) field and respectively in the DE bit (Figure 14).

**Figure 14: DE Bit in the 802.1ad S-TAG**



## Service Egress QoS Policy

The introduction of the DE bit allows the S-TAG to convey eight forwarding classes/distinct priorities, each with a drop eligible indication.

When DE bit is set to 0 (DE=FALSE) the related packet is not discard eligible. This is the case for the packets that are within the CIR limits and must be given priority in case of congestion. If the DEI is not used or backwards compliance is required the DE bit should be set to zero on transmission and ignored on reception.

When the DE bit is set to 1 (DE=TRUE) the related packet is discard eligible. This is the case for the packets that are sent above the CIR limit. In case of congestion these packets will be the first ones to be dropped.

### DEI in IEEE 802.1ah

IEEE 802.1ah (PBB) standard provides a dedicate bit for DE indication in both the BVID and the ITAG.

The backbone VLAN ID (BVID) is a regular 802.1ad STAG. Its DE bit may be used to convey the related tunnel QoS throughout an Ethernet backbone.

The ITAG header offers also an I-DEI bit that may be used to indicate the service drop eligibility associated with this frame.

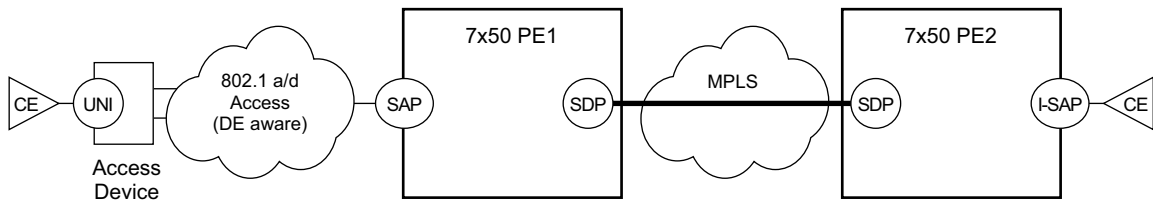
These bits must follow the same rules as described in [DEI in IEEE 802.1ad](#).

### IEEE 802.1ad Use Case

[Figure 15](#) illustrates an example of a topology where the new DE feature may be used: a DE aware, 802.1ad access network connected via a regular SAP to a router PE.

In this example, PE1 can ensure coherent processing of the DE indication between the 802.1ad and the MPLS networks: for example, for packets ingressing the SAP connected to 802.1ad access, read the DE indication and perform classification, color-aware metering/policing, marking of the related backbone QoS fields and selective discarding of the frames throughout the queueing system based on their discard eligibility. In addition, packets egressing the SAP towards the 802.1ad access provide proper DE indication by marking the new DE bit in the STAG.

**Figure 15: DE Aware 802.1ad Access Network**

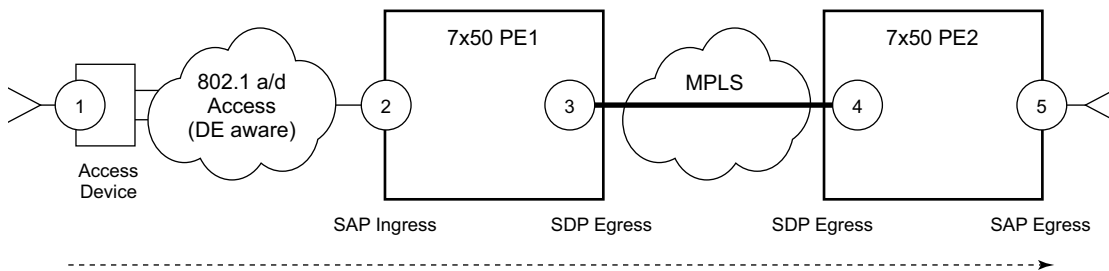


Fig\_26

The following shows an example of the QoS processing in more detail.

Figure 16 displays a simple example of the DEI processing steps for the IEEE 802.1ad Use Case for both ingress and egress directions (from a PE1 SAP perspective).

**Figure 16: DEI Processing Ingress into the PE1 SAP**



Fig\_28

The following steps related to DEI are involved in the QoS processing as the packet moves from left to right:

1. The QinQ access device sets the DE bit from the STAG based on the QoS classification or on the results of the metering/policing for the corresponding customer UNI.
2. The SAP on PE1 may use the DE bit from the customer STAG to classify the frames as in/out of profile. Color aware policing/metering can generate addition out of profile packets as the result of packet flow surpassing the CIR.
3. When the packet leaves PE1 via SDP, the DE indication must be copied onto the appropriate tunnel QoS fields (outer VLAN ID and or EXP bits) using the internal PHB (per hop behavior) of the packet (for example, the FC and Profile).
4. As the packet arrives at PE2, ingress into the related SDP, the DE indication is used to classify the packets into an internal PHB.
5. Egress from the PE2 SAP, the internal PHB may be used to perform marking of the DE bit.

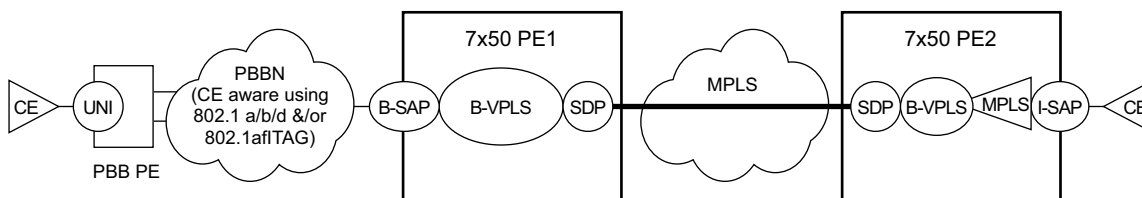
## Service Egress QoS Policy

A combination of two access networks can be possible. If PBB encapsulation is used, the configuration used for DE in SAP and SDP policies applies to both BVID and ITAG DE bits. When both fields are used the BVID takes precedence.

## IEEE 802.1ah Use Case

Figure 17 illustrates an example of a PBB topology where the DE feature can be used. The processing requirements highlighted in the 802.1ad use case apply to the 802.1ah BVID, format and etype, these being identical with the 802.1ad STAG. In addition the DE bit from the 802.1ah ITAG header may need to be processed following the same rules as for the related field in the BVID/STAG: for example, the DE bit from the BVID header represents the QoS associated with the “Ethernet Tunnel” while the DE bit from the ITAG represent the service QoS.

Figure 17: DE Aware PBB Topology



Fig\_27

In this example, the BVID is not used for a part of the network leaving only I-DEI bit from the ITAG as the only option for a dedicated DE field. If both are included, then the QoS information from the BVID is to be used.

## DSCP/Prec Egress Remarking

DSCP/prec marking can be performed on egress for all services and with respect to the profile of the packet.

The following commands can be used to remark the DSCP/prec values at a SAP egress:

```
sap-egress <policy-id> create
 fc <fc-name> create
 dscp {dscp <dscp-name>|
 in-profile {<dscp-name>
 out-profile <dscp-name>
 [exceed-profile <dscp-name>]}
 prec {<ip-prec-value>|
```

```

 in-profile <ip-prec-value> out-profile <ip-prec-
value>
 [exceed-profile <ip-prec-value>]}
 exit
exit

```

Remarking the DSCP/prec based on the profile result of egress policing must be enabled as the follows under the related policer configuration:

```

sap-egress <policy-id> create
 policer <policer-id> create
 enable-dscp-prec-remarking
 exit
exit

```

## Queue Depth Monitoring

Queue depth monitoring gives more visibility to the operator of the queue depths being experienced on a set of queues when the traffic is bursty. The instantaneous depth of a queue can be seen using the **show pools** command, whereas queue depth monitoring shows the variation in queue depth over a period of time. It is applicable to SAP ingress unicast and multipoint queues and SAP egress queues, and for ingress and egress access and network queue group queues used by any service or network interfaces. The monitoring uses a polling mechanism by the line card CPU. Consequently, the results provided are statistical in nature. This is supported on FP2- and higher-based line cards.

An override (**monitor-depth**) is used to enable queue depth monitoring, which is configured under the SAP or queue group queue-overrides. There are show and clear commands, using the **queue-depth** parameter, for both service SAPs and port queue groups with associated MIB variables.

The configuration below gives an example of enabling the monitoring of the depth of queue 1 on an Epipe SAP.

```

epipe 1 customer 1 create
 sap 1/2/1 create
 egress
 qos 10
 queue-override
 queue 1 create
 monitor-depth
 exit
 exit
 exit
exit

```

## Service Egress QoS Policy

The queue depth can then be shown as follows:

```
*A:PE-1# show service id 1 sap 1/2/1 queue-depth

=====
Queue Depth Information (Ingress SAP)
=====
No Matching Entries
=====

=====
Queue Depth Information (Egress SAP)
=====

Name : 1->1/2/1->1
MBS : Def

Queue Depths (percentage)

0%-10% 11%-20% 21%-30% 31%-40% 41%-50% 51%-60% 61%-70% 71%-80% 81%-90% 91%-100%

68.21 3.64 3.43 3.47 3.86 3.22 3.86 2.87 3.78 3.66

Average Elapsed Time : 0d 00:11:48
Wghtd Avg Polling Interval: 99 ms

*A:PE-1#
```

The output shows the percentage of polls for each 10% range of queue depth. The output includes the name of the queue, its MBS configuration, the average elapsed time over which the depth was monitored (this is the elapsed time since the start of monitoring or the last clear), and the weighted average polling interval.

For example, in the above output, the queue depth was in the range of 51% to 60% for 3.22 percent of the polls, the polling was performed over an elapsed time of 11 minutes and 48 seconds, and the average polling interval was 99ms.

The monitoring is performed on the hardware queues corresponding to the configured queue. It is possible that the set of related hardware queues for a given configured queue changes over time. For example, when LAG ports are added or removed resulting in monitored hardware queues being added or removed. If the set of hardware queues for the configured queue changes, the system will only report occupancy information of all currently instantiated hardware queues, specifically, no attempt is made to keep historical occupancy information. The average polling interval is weighted based on the elapsed monitoring time of the individual hardware queues corresponding to the configured queue, and the elapsed monitoring time is averaged over the same set of hardware queues.

There is no specific limit on the number of queues that can be monitored but the amount of each line card CPU's resources allocated to the monitoring is bounded, consequently average polling interval will increase as more queues are monitored on the line card.

If the MBS of a queue is modified, the occupancy information is cleared and the elapsed timers reset to zero. Issuing a clear card will also clear this information. Packet drops caused at the pool level, rather than at the queue level, would result in lower queue depths being reported.

## Service Ingress QoS Policy

To create an service ingress policy, define the following:

- A policy ID value. The system will not dynamically assign a value.
- Include a description. The description provides a brief overview of policy features.
- Specify a default forwarding class for the policy. All packets received on an ingress SAP using this ingress QoS policy will be classified to the default forwarding class.
- Specify a default priority for all packets received on an ingress SAP using this policy.
- Define mappings from incoming packet contents to a forwarding class, and then, separately, from the forwarding class to queue.
- Define forwarding class parameters.
  - Modify the **multicast-queue** default value to override the default multicast forwarding type queues mapping for **fc fc-name**.
  - Modify the **unknown-queue** default value to override the default unknown unicast forwarding type queues mapping for **fc fc-name**.
  - Modify the **broadcast-queue** default value to override the default broadcast forwarding type queues mapping for **fc fc-name**.
- Configure precedence value for the forwarding class or enqueueing priority when a packet is marked with an IP precedence value.
- Specify IP, IPv6 or MAC criteria. You can define IP, IPv6 and MAC-based SAP ingress policies to select the appropriate ingress queue and corresponding forwarding class for matched traffic.
- A SAP ingress policy is created with a template scope. The scope can be modified to exclusive for a special one-time use policy. Otherwise, the **template** scope enables the policy to be applied to multiple SAPs.

The following displays an service ingress policy configuration:

```
A:ALA-7>config>qos>sap-ingress# info

...
```

## Service Ingress QoS Policy

```
 sap-ingress 100 create
 description "Used on VPN sap"
 ...

A:ALA-7>config>qos>sap-ingress#
```

## Service Ingress QoS Queue

To create service ingress queues parameters, define the following:

- A new queue ID value — The system will not dynamically assign a value.
- Queue parameters — Ingress queues support multipoint queues, explicit and auto-expedite hardware queue scheduling, and parent virtual scheduler definition.

The following displays an ingress queue configuration:

```
A:ALA-7>config>qos# info
#-----
echo "QoS Policy Configuration"
#-----
...
 sap-ingress 100 create
 description "Used on VPN sap"
 queue 1 create
 exit
 queue 2 multipoint create
 exit
 queue 10 create
 parent VPN_be
 rate 11000
 exit
 queue 12 create
 parent VPN_priority
 rate 11000
 exit
 queue 13 create
 parent VPN_reserved
 rate 1
 exit
 queue 15 create
 parent VPN_video
 rate 1500 cir 1500
 exit
 queue 16 create
 parent VPN_voice
 rate 2500 cir 2500
 exit
 queue 17 create
 parent VPN_nc
 rate 100 cir 36
 exit
 queue 20 multipoint create
```



```

 parent VPN_be
 rate 11000
 exit
 queue 22 multipoint create
 parent VPN_priority
 rate 11000
 exit
 queue 23 multipoint create
 parent VPN_reserved
 rate 1
 exit
 queue 25 multipoint create
 parent VPN_video
 rate 1500 cir 1500
 exit
 queue 26 multipoint create
 parent VPN_voice
 rate 2500 cir 2500
 exit
 queue 27 multipoint create
 parent VPN_nc
 rate 100 cir 36
 exit
 ...
#-----
A:ALA-7>config>qos#

```

## Percent-Rate Support

The **percent-rate** command is supported for **pir** and **cir** parameters for both queues and policers. Also supported is the capability of specifying the rate as a percentage value of the line rate for sap-ingress and sap-egress qos policies. It is supported for both queues and policers. The user has the option of specifying **percent-rate** for **pir** and **cir** parameters. For **pir**, the range is 0.01 to 100.00, and for **cir**, the range is 0.00 to 100.00.

The rate can be also configured using the existing keyword **rate** in Kbps.

For queues, when the queue rate is in percent-rate either a local-limit or a port-limit can be applied.

When the local-limit is used the percent-rate is relative to the queue's parent scheduler rate or the agg-rate rate at egress, when the port-limit is used the percent-rate is relative to the rate of the port (including the ingress-rate/egress-rate setting) to which the queue is attached. port-limit is the default.

For policers, the percent-rate rate is always relative to the immediate parent root policer/arbiter rate or the FP capacity.

SAP Ingress QoS Policy:

## Service Ingress QoS Policy

```
*B:Dut-A>config>qos>sap-ingress# queue 1 percent-rate
- no percent-rate
- percent-rate <pir-percent> [cir <cir-percent>] [port-limit | local-limit]
- percent-rate <pir-percent> police [port-limit | local-limit]

<pir-percent> : [0.01..100.00]
<cir-percent> : [0.00..100.00]
<police> : keyword
<port-limit | local-*> : keyword

*B:Dut-A>config>qos>sap-ingress# policer 1 percent-rate
- no percent-rate
- percent-rate <pir-percent> [cir <cir-percent>]

<pir-percent> : [0.01..100.00]
<cir-percent> : [0.00..100.00]
```

## Service Ingress Forwarding Class (FC)

The following displays a forwarding class and precedence configurations:

```
A:ALA-7>config>qos# info
#-----
...
 fc af create
 queue 12
 broadcast-queue 22
 multicast-queue 22
 unknown-queue 22
 exit
 fc be create
 queue 10
 broadcast-queue 20
 multicast-queue 20
 unknown-queue 20
 exit
 fc ef create
 queue 13
 broadcast-queue 23
 multicast-queue 23
 unknown-queue 23
 exit
 fc h1 create
 queue 15
 broadcast-queue 25
 multicast-queue 25
 unknown-queue 25
 exit
 fc h2 create
 queue 16
 broadcast-queue 26
 multicast-queue 26
 unknown-queue 26
 exit
```

```

fc nc create
 queue 17
 broadcast-queue 27
 multicast-queue 27
 unknown-queue 27
exit
prec 0 fc be
prec 2 fc af
prec 3 fc ef
prec 5 fc h1
prec 6 fc h2
prec 7 fc nc
...
#-----
A:ALA-7>config>qos#

```

## Service Ingress IP Match Criteria

When specifying SAP ingress match criteria, only one match criteria type (IP/IPv6 or MAC) can be configured in the SAP ingress QoS policy.

The following displays an ingress IP criteria configuration:

```

A:ALA-7>config>qos# info
...
#-----
echo "QoS Policy Configuration"
#-----
...
 sap-ingress 100 create
...
 ip-criteria
 entry 10 create
 description "Entry 10-FC-AF"
 match protocol 6
 src-ip 10.10.10.103/24
 exit
 action fc af priority high
 exit
 entry 20 create
 description "Entry 20-FC-BE"
 match protocol 17
 dst-port eq 255
 exit
 no action
 exit
 exit
 exit
..
#-----
A:ALA-7>config>qos#

```

## Service Ingress IPv6 Match Criteria

When specifying SAP ingress match criteria, only one match criteria type (IP/IPv6 or MAC) can be configured in the SAP ingress QoS policy. This feature applies only to the 7750 SR and 7950 XRS.

The following displays an ingress IPv6 criteria configuration:

```
A:ALA-48>config>qos>sap-ingress# info

queue 1 create
exit
queue 11 multipoint create
exit
ip-criteria
exit
ipv6-criteria
 entry 10 create
 description "IPv6 SAP-ingress policy"
 match
 src-ip ::/96
 dst-ip 200::/7
 exit
 action fc be priority low
 exit
 entry 20 create
 description "Entry 20-FC-AF"
 match next-header tcp
 src-port eq 500
 exit
 action fc af priority high
 exit
exit

A:ALA-48>config>qos>sap-ingress#
```

## Service Ingress MAC Match Criteria

Both IP/IPv6 criteria and MAC criteria cannot be configured in the same SAP ingress QoS policy.

To configure service ingress policy MAC criteria, define the following:

- A new entry ID value. Entries must be explicitly created. The system will not dynamically assign entries or a value.
- The action to associate the forwarding class or enqueueing priority with a specific MAC criteria entry ID.
- A description. The description provides a brief overview of policy features.

- Match criteria for ingress SAP QoS policy. Optionally, specify an IP protocol to be used as an ingress SAP QoS policy match criterion.

The following displays an ingress MAC criteria configuration:

```
A:ALA-7>config>qos# info
...
#-----
echo "QoS Policy Configuration"
#-----
...
 sap-ingress 101 create
...
 mac-criteria
 entry 10 create
 description "Entry10-low prio"
 match
 dst-mac 04-67-ff-00-00-01 ff-ff-ff-ff-ff-ff
 dot1p 7 7
 exit
 action fc be priority low
 exit
 exit
 exit
#-----
A:ALA-7>config>qos#
```

## VLAN ID Matching

On ingress VLAN ID matching may be used to set QoS on SAP ingress. The matching rules are the same as for VID filter (See “VID filters” in the Filter Policies section of the Router Configuration Guide) but the action allows setting of the forwarding class.

For example, to set the forwarding class of all VIDs with 6 in the lower 3 bits of the VID a filter as illustrated below could be constructed and then ingress qos 5 could be applied to any SAP that requires the policy.

```
qos
 sap-ingress 5 create
 queue 1 create
 exit
 queue 11 multipoint create
 exit
 mac-criteria
 type vid
 entry 1 create
 match frame-type ethernet-II
 outer-tag 6 7
 exit
 action fc "af"
 exit
 exit
```

```

exit
exit

```

## Ingress Criteria Classification Directly to Policer

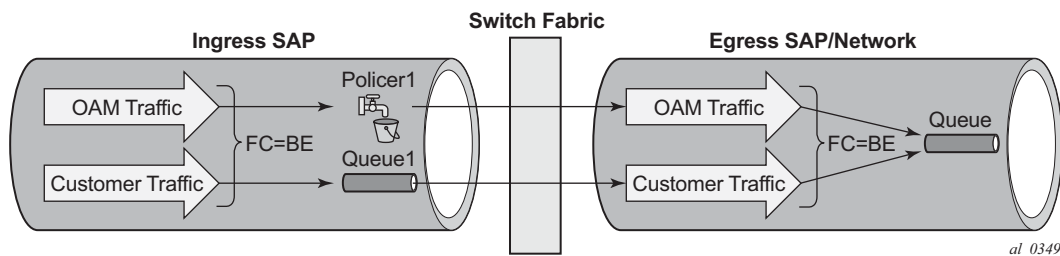
It is possible to classify traffic directly to a policer, independent of the policer/queue assigned to the traffic's forwarding class. This is supported at SAP ingress when using one of the following statements: ip-criteria, ipv6-criteria or mac-criteria.

The standard mechanisms are still used to assign a forwarding class to the related traffic, and this forwarding class continues to be used for QOS processing at egress.

This is supported on all FP2 and higher based line cards. The use of explicitly configured broadcast, unknown, or multicast policers is not supported. QPPB processing takes precedence over this feature.

This could be used, for example, when it is required that ingress OAM traffic is not subject to the same QOS control as other customer traffic on a given SAP. The OAM traffic could be classified based on its source MAC address (for example, with an OUI of 00-xx-yy as configured below) and directed to policer 1 while the remainder of the customer's traffic is processed using ingress queue 1. This is shown in [Figure 18](#).

**Figure 18: Ingress Criteria Classification Directly to Policer**



The configuration would be as follows:

```

sap-ingress 10 create
 queue 1 create
 exit
 queue 11 multipoint create
 exit
 policer 1 create
 exit
 mac-criteria
 entry 10 create
 match
 src-mac 00-xx-yy-00-00-00 ff-ff-ff-00-00-00
 exit

```

```

 action policer 1
 exit
exit
exit

```

## Virtual Network Identifier (VNI) Classification

Virtual Network Identifier (VNI) classification is supported for VXLAN and VXLAN GPE traffic within a SAP ingress QoS policy. This classification is configured in the **ip-criteria** and **ipv6-criteria** contexts with **type vxlan-vni** (changed from the default **type normal**). The matching entry must be created with **match protocol udp** for IPv4 or **match next-header udp** for IPv6, and uses the **vxlan-vni** parameter within the **match** statement to match on a single VNI or a range of VNIs.

The type cannot be changed when **ip-criteria** or **ipv6-criteria** entries are configured. If there are no **ip-criteria** or **ipv6-criteria** entries configured, the type can be changed from **vxlan-vni** to **normal**. The type can only be changed from **normal** to **vxlan-vni** if there are no **ip-criteria** or **ipv6-criteria** entries configured and if the SAP ingress QoS policy has not been applied to any object.

The following is an example where traffic received with a VNI of 1 is sent to policer 1 and VNIs 2 to 10 are sent to policer 2:

```

sap-ingress 10 create
 queue 1 create
 exit
 queue 11 multipoint create
 exit
 policer 1 create
 exit
 policer 2 create
 exit
 ip-criteria
 type vxlan-vni
 entry 10 create
 match protocol udp
 vxlan-vni eq 1
 exit
 action policer 1
 exit
 entry 20 create
 match protocol udp
 vxlan-vni range 2 10
 exit
 action policer 2
 exit
 exit
exit

```

Ingress VNI classification is applicable to all Ethernet SAPs, except for PW-SAPs, B-VPLS SAPs, and CCAG SAPs, in any applicable service. The feature is supported on FP2- and higher-based hardware.

The following restrictions also apply:

- Source and destination port matching on a SAP on which a SAP ingress QoS policy is applied that has **ip-criteria** or **ipv6-criteria** statements with **type vxlan-vni**, is not available for:

→ IPv4 QoS classification for VXLAN or VXLAN GPE traffic

→ IPv6 QoS and filter classification for VXLAN or VXLAN GPE traffic

If the criteria type is set to **vxlan-vni** and if source or destination port matching entries are configured in an IPv4 or IPv6 SAP ingress QoS policy or in an IPv6 filter policy, any VXLAN or VXLAN GPE ingress traffic will not match these entries on the SAP on which the SAP ingress QoS policy is applied.

- The simultaneous configuration on a SAP of a QoS policy containing an **ip-criteria** entry with **type vxlan-vni** and of a MAC filter with **type vid** is not supported, and vice versa.

This is only applicable to Epipe and VPLS services.

- If a SAP ingress QoS policy that has **ip-criteria** or **ipv6-criteria** statements with **type vxlan-vni** is applied to a SAP, any **ip-criteria** or **ipv6-criteria** entry match **vxlan-vni** statements will not match:

→ IPv4 packets containing options

→ IPv6 packets containing extension headers

→ Ingress 802.1ah PBB frames

→ IPv6 over PPPoE traffic received with more than one VLAN tag

→ Non-first fragments of an IPv4 or IPv6 fragmented packet

- The configuration of a SAP ingress QoS policy containing **ip-criteria** or **ipv6-criteria** entry match **vxlan-vni** statements is not supported within an SLA profile.

## FC Mapping Based on EXP Bits

You can use the **lsp-exp** command to set your sap-ingress qos policy on Ethernet L2 SAPs to perform FC mapping based on EXP bits.

The **lsp-exp** option causes the forwarding class and drop priority of incoming traffic to be determined by the mapping result of the EXP bits in the top label.

The following example displays FC mapping based on EXP bits:



```
*A:Dut-T>config>qos>sap-ingress# info

queue 1 create
exit
queue 2 create
exit
queue 3 create
exit
queue 11 multipoint create
exit
fc "af" create
 queue 2
exit
fc "be" create
 queue 1
exit
fc "ef" create
 queue 3
exit
lsp-exp 0 fc "be" priority low
lsp-exp 1 fc "af" priority high
lsp-exp 2 fc "ef" priority low hsmda-counter-override 1
lsp-exp 3 fc "ef" priority high hsmda-counter-override 2
```

## Service Management Tasks

This section discusses the following service management tasks:

- [Deleting QoS Policies](#)
- [Copying and Overwriting QoS Policies](#)
- [Remove a Policy from the QoS Configuration](#)
- [Editing QoS Policies](#)

## Applying Service Ingress and Egress Policies

Apply SAP ingress and egress policies to the following service SAPs:

- [Epipe](#)
- [IES](#)
- [VPLS](#)
- [VPRN](#)

Refer to the Subscriber Services Overview section of the Services Guide for information about configuring service parameters on the 7750 SR and 7450 ESS.

### Epipe

The following output displays an Epipe service configuration with SAP ingress policy 100 and SAP egress 105 applied to the SAP.

```
A:ALA-7>config>service# info

 epipe 6 customer 6 vpn 6 create
 description "Distributed Epipe service to west coast"
 sap 1/1/10:010 create
 ingress
 qos 100
 exit
 egress
 qos 105
 exit
 exit
 spoke-sdp 2:6 create
 ingress
 vc-label 6298
 exit
 egress
 vc-label 6300
 exit
 exit
 no shutdown
 exit

A:ALA-7>config>service#
```

### IES

The following output displays an IES service configuration with SAP ingress policy 100 and SAP egress 105 applied to the SAP.

```
A:ALA-7>config>service# info

 ies 88 customer 8 vpn 88 create
 interface "Sector A" create
 sap 1/1/1.2.2 create
 ingress
 qos 100
 exit
 egress
 qos 105
 exit
 exit
 exit
 no shutdown
 exit

```

## VPLS

The following output displays a VPLS service configuration with SAP ingress policy 100. The SAP egress policy 1 is applied to the SAP by default.

```
A:ALA-7>config>service# info

 vpls 700 customer 7 vpn 700 create
 description "test"
 stp
 shutdown
 exit
 sap 1/1/9:010 create
 ingress
 qos 100
 exit
 exit
 spoke-sdp 2:222 create
 exit
 mesh-sdp 2:700 create
 exit
 no shutdown
 exit

A:ALA-7>config>service#
```

## VPRN

The following output displays a VPRN service configuration for the 7750 SR and 7950 XRS.

```
A:ALA-7>config>service# info

...
 vprn 1 customer 1 create
 ecmp 8
 autonomous-system 10000
 route-distinguisher 10001:1
 auto-bind-tunnel
 resolution-filter
 resolution-filter ldp
 vrf-target target:10001:1
 interface "to-cel" create
 address 11.1.0.1/24
 sap 1/1/10:1 create
 ingress
 qos 100
 exit
 egress
 qos 105
 exit
 exit
 exit
 no shutdown
```

## Service Management Tasks

```
 exit
 ...

A:ALA-7>config>service#
```

## Editing QoS Policies

You can change QoS existing policies and entries. The changes are applied immediately to all services where this policy is applied. To prevent configuration errors copy the policy to a work area, make the edits, and then write over the original policy.

## Copying and Overwriting QoS Policies

You can copy an existing service egress or ingress policy, rename it with a new policy ID value, or overwrite an existing policy ID. The overwrite option must be specified or an error occurs if the destination policy ID exists.

**CLI Syntax:** `config>qos# copy {sap-ingress | sap-egress} source-policy-id dest-policy-id [overwrite]`

The following output displays the copied policies:

```
A:ALA-7>config>qos# info

...
exit
 sap-ingress 100 create
 description "Used on VPN sap"
 queue 1 create
 exit
 queue 2 multipoint create
 exit
 queue 10 create
 parent "VPN_be"
 rate 11000
 exit
 ...
 sap-ingress 101 create
 description "Used on VPN sap"
 queue 1 create
 exit
 queue 2 multipoint create
 exit
 queue 10 create
 parent "VPN_be"
 rate 11000
 exit
 sap-ingress 200 create
```

```

description "Used on VPN sap"
queue 1 create
exit
queue 2 multipoint create
exit
queue 10 create
 parent "VPN_be"
 rate 11000
exit
...

A:ALA-7>config>qos#

```

## Deleting QoS Policies

Every service SAP is associated, by default, with the appropriate egress or ingress policy (policy-id 1). You can replace the default policy with a customer-configured policy, but you cannot entirely remove the policy from the SAP configuration. When you remove a non-default service egress or ingress policy, the association reverts to the default policy-id 1.

A QoS policy cannot be deleted until it is removed from all SAPs where they are applied.

```

A:ALA-7>config>qos# no sap-ingress 100
MINOR: CLI SAP ingress policy "100" cannot be removed because it is in use.
A:ALA-7>config>qos#

```

## Remove a Policy from the QoS Configuration

**CLI Syntax:** `config>qos# no sap-ingress policy-id`

**Example:**

```

config>qos# no sap-ingress 100
config>qos# no sap-egress 1010

```

Service Management Tasks

# Service SAP QoS Policy Command Reference

## Command Hierarchies

- [Service Ingress QoS Policy Commands](#)
- [Service Egress QoS Policy Commands](#)
- [Operational Commands](#)
- [Show Commands](#)

## Service Ingress QoS Policy Commands

```

config
 — qos
 — [no] sap-ingress {policy-id | policy-name}
 — default-fc fc-name
 — no default-fc
 — default-priority {low | high}
 — no default-priority
 — description description-string
 — no description
 — dot1p dot1p-priority [fc fc-name] [priority {low | high}]
 — no dot1p dot1p-priority
 — dscp dscp-name [fc fc-name] [priority {low | high}]
 — no dscp dscp-name
 — dynamic-policer
 — range start-entry policer-id count count
 — no range
 — [no] fc fc-name
 — policer policer-id [fp-redirect-group]
 — no policer
 — broadcast-policer policer-id [fp-redirect-group]
 — no broadcast-policer
 — broadcast-queue queue-id [group queue-group-name]
 — no broadcast-queue
 — [no] de-1-out-profile
 — egress-fc fc-name
 — no egress-fc
 — in-remark dscp dscp-name
 — in-remark prec ip-prec-value
 — no in-remark
 — multicast-policer policer-id [fp-redirect-group]
 — no multicast-policer
 — multicast-queue queue-id [group queue-group-name]
 — no multicast-queue
 — out-remark dscp dscp-name

```

- **out-remark** *prec ip-prec-value*
- **no out-remark**
- **queue** *queue-id* {**group** *queue-group-name* [**instance** *instance-id*] | **port-redirect-group-queue**}
- **no queue**
- **unknown-policer** *policer-id* [**fp-redirect-group**]
- **no unknown-policer**
- **unknown-queue** *queue-id* [**group** *queue-group-name*]
- **no unknown-queue**
- **[no] ip-criteria**
  - **[no] entry** *entry-id*
    - **action** [**fc** *fc-name*] [**priority** {**high** | **low**}] [**policer** *policer-id*]
    - **no action**
    - **description** *description-string*
    - **no description**
    - **match** [**protocol** *protocol-id*]
    - **no match**
      - **dscp** *dscp-name*
      - **no dscp**
      - **dst-ip** {*ip-address/mask* | *ip-address ipv4-address-mask* | **ip-prefix-list** *prefix-list-name*}
      - **no dst-ip**
      - **dst-port** {**lt** | **gt** | **eq**} *dst-port-number*
      - **dst-port range** *start end*
      - **no dst-port**
      - **fragment** {**true** | **false**}
      - **no fragment**
      - **src-ip** {*ip-address/mask* | *ip-address ipv4-address-mask* | **ip-prefix-list** *prefix-list-name*}
      - **no src-ip**
      - **src-port** {**lt** | **gt** | **eq**} *src-port-number*
      - **src-port range** *start end*
      - **no src-port**
      - **vxlan-vni** [**eq** *vxlan-vni-id* | **range** *start end*]
      - **no vxlan-vni**
  - **renum** [*old-entry-id new-entry-id*]
  - **type** *filter-type*
  - **no type**
- **[no] ipv6-criteria**
  - **[no] entry** *entry-id*
    - **action** [**fc** *fc-name*] [**priority** {**low** | **high**}] [**policer** *policer-id*]
    - **no action**
    - **description** *description-string*
    - **no description**
    - **match** [**next-header** *next-header*]
    - **no match**
      - **dscp** *dscp-name*
      - **no dscp**
      - **dst-ip** {*ipv6-address/prefix-length* | *ipv6-address/ipv6-address-mask*}
      - **no dst-ip**
      - **dst-port** {**lt** | **gt** | **eq**} *dst-port-number*
      - **dst-port range** *start end*
      - **no dst-port**



## Service Egress and Ingress QoS Policies

- **fragment** {true | false | first-only | non-first-only}
- **no fragment**
- **src-ip** {ipv6-address/prefix-length | ipv6-address/ipv6-address-mask}
- **no src-ip**
- **src-port** {lt | gt | eq} src-port-number
- **src-port range** start end
- **no src-port**
- **renum** [old-entry-id new-entry-id]
- **type** filter-type
- **no type**
- **lsp-exp** lsp-exp-value [fc fc-name] [priority {low | high}] [hsmda-counter-override counter-id]
- **no lsp-exp** lsp-exp-value
- **[no] mac-criteria**
  - **[no] entry** entry-id
    - **action** [fc fc-name] [priority {low | high}] [policer policer-id]
    - **no action**
    - **description** description-string
    - **no description**
    - **match** [frame-type {802dot3 | 802dot2-llc | 802dot2-snap | ethernet-II | atm}]
    - **no match**
      - **atm-vci** vci-value
      - **no atm-vci**
      - **dot1p** dot1p-value [dot1p-mask]
      - **no dot1p**
      - **dsap** dsap-value [dsap-mask]
      - **no dsap**
      - **dst-mac** ieee-address [ieee-address-mask]
      - **no dst-mac**
      - **etype** etype-value
      - **no etype**
      - **inner-tag** value [vid-mask]
      - **no inner-tag**
      - **outer-tag** value [vid-mask]
      - **no outer-tag**
      - **snap-oui** [zero | non-zero]
      - **no snap-oui**
      - **snap-pid** snap-pid
      - **no snap-pid**
      - **src-mac** ieee-address [ieee-address-mask]
      - **no src-mac**
      - **ssap** ssap-value [ssap-mask]
      - **no ssap**
    - **renum** old-entry-number new-entry-number
    - **type** filter-type
    - **no type**
  - **policer** policer-id [create]
  - **no policer** policer-id
    - **adaptation-rule** pir {max | min | closest} [cir {max | min | closest}]
    - **no adaptation-rule**
    - **adv-config-policy** policy-name
    - **no adv-config-policy**

## Service SAP QoS Policy Command Reference

- **description** *description-string*
- **no description**
- **cbs** {*size* [bytes | kilobytes] | default}
- **no cbs**
- **high-prio-only** *percent-of-mbs*
- **no high-prio-only**
- **mbs** {*size* [bytes | kilobytes] | default}
- **no mbs**
- **packet-byte-offset** {add *bytes* | subtract *bytes*}
- **no packet-byte-offset**
- **parent** {root | *arbiter-name*} [level *level*] [weight *weight-within-level*]
- **no parent**
- **percent-rate** *pir-percent* [cir *cir-percent*]
- **no percent-rate**
- **no profile-capped**
- **rate** {max | kilobits-per-second} [cir {max | kilobits-per-second}]
- **no rate**
- **stat-mode** {no-stats | minimal | offered-profile-no-cir | offered-priority-no-cir | offered-limited-profile-cir | offered-profile-cir | offered-priority-cir | offered-total-cir | offered-profile-capped-cir | offered-limited-capped-cir}
- **no stat-mode**
- **prec** *ip-prec-value* [fc *fc-name*] [priority {low | high}]
- **no prec** *ip-prec-value*
- **queue** *queue-id* [multipoint] [*queue-type*] [*queue-mode*] pool *pool-name*
- **no queue** *queue-id*
  - **adaptation-rule** [pir *adaptation-rule*] [cir *adaptation-rule*]
  - **no adaptation-rule**
  - **adv-config-policy** *policy-name*
  - **no adv-config-policy**
  - **burst-limit**
  - **no burst-limit**
  - **cbs** *size-in-kbytes*
  - **no cbs**
  - **hi-low-prio-only** *percent*
  - **no hi-low-prio-only**
  - **high-prio-only** *percent*
  - **no high-prio-only**
  - **mbs** *size* [bytes | kilobytes]
  - **no mbs**
  - **packet-byte-offset** {add *bytes* | subtract *bytes*}
  - **no packet-byte-offset**
  - **parent** *scheduler-name* [weight *weight*] [level *level*] [cir-weight *cir-weight*] [cir-level *cir-level*]
  - **no parent**
  - **percent-rate** *pir-percent* [cir *cir-percent*] [port-limit | local-limit]
  - **percent-rate** *pir-percent* police [port-limit | local-limit]
  - **no percent-rate**
  - [no] pool *pool-name*
  - **rate** *pir-rate* [cir *cir-rate* | police]
  - **no rate**
- **scope** {exclusive | template}
- **no scope**
- **sub-insert-shared-pccrule** start-entry *entry-id* count *count*

- **no sub-insert-shared-pccrule**

## Service Egress QoS Policy Commands

```

config
 — qos
 — [no] sap-egress policy-id | policy-name
 — description description-string
 — no description
 — dot1p dot1p-value [fc fc-name] [profile {in | out | use-de}]
 — no dot1p dot1p-value
 — dscp dscp-list [hsmda-counter-override counter-id] [fc fc-name] [profile {in | out}]
 — no dscp dscp-list
 — dynamic-policer
 — range start-entry policer-id count count
 — no range
 — ethernet-ctag
 — no ethernet-ctag
 — fc fc-name
 — no fc fc-name
 — [no] de-mark [force de-value]
 — [no] de-mark-inner [force de-value]
 — [no] de-mark-outer [force de-value]
 — [no] dot1p {dot1p-value | in-profile dot1p-value out-profile dot1p-value
 [exceed-profile dot1p-value]}
 — [no] dot1p-inner {dot1p-value | in-profile dot1p-value out-profile dot1p-value}
 — [no] dot1p-outer {dot1p-value | in-profile dot1p-value out-profile dot1p-value
 [exceed-profile dot1p-value]}
 — dscp {dscp-name | in-profile dscp-name out-profile dscp-name [exceed-profile
 dscp-name]}
 — no dscp
 — hsmda
 — queue queue-id
 — no queue
 — policer policer-id [{port-redirect-group-queue [queue queue-id] | group
 queue-group-name [instance instance-id] [queue group-queue-id]}]
 — no policer
 — prec {ip-prec-value | in-profile ip-prec-value out-profile ip-prec-value
 [exceed-profile ip-prec-value]}
 — no prec ip-prec-value
 — queue queue-id [{group queue-group-name [instance instance-id]} | port-redirect-group-queue]
 — no queue
 — hsmda-queues
 — [no] low-burst-max-class class-id
 — packet-byte-offset {add add-bytes | subtract sub-bytes}
 — no packet-byte-offset
 — queue queue-id [port-redirect-group-queue]
 — no queue queue-id
 — adaptation-rule [pir adaptation-rule]

```

- **no adaptation-rule**
- **burst-limit** *size* [bytes | kilobytes]
- **no burst-limit**
- **mbs** {[0 to 2625] kilobytes | [0 to 2688000] bytes | default}
- **no mbs**
- **rate** *pir-rate* {max | kilobits-per-second}
- **no rate**
- **slope-policy** *hsmda-slope-policy-name*
- **no slope-policy**
- [no] **wrr-weight** *weight*
- [no] **wrr-policy** *wrr-policy-name*
- [no] **ip-criteria**
  - **entry** *entry-id* [create]
  - **no entry** *entry-id*
    - **action** [hsmda-counter-override *counter-id*] [fc *fc-name*] [profile {in | out}] [policer *policer-id*] [port-redirect-group-queue *queue-id* | queue *queue-id* | use-fc-mapped-queue]
    - **no action**
    - **description** *description string*
    - **no description**
    - **match** [protocol *protocol-id*]
    - **no match**
      - **dscp** *dscp-name*
      - **no dscp**
      - **dst-ip** {*ip-address/mask* | *ip-address* *ipv4-address-mask* | **ip-prefix-list** *prefix-list-name*}
      - **no dst-ip**
      - **dst-port** {lt | gt | eq} *dst-port-number*
      - **dst-port range** *start end*
      - **no dst-port**
      - **fragment** {true | false}
      - **no fragment**
      - **src-ip** {*ip-address/mask* | *ip-address* *ipv4-address-mask* | **ip-prefix-list** *prefix-list-name*}
      - **no src-ip**
      - **src-port** {lt | gt | eq} *src-port-number*
      - **src-port range** *start end*
      - **no src-port** *port*
    - **renum** *old-entry-id new-entry-id*
- [no] **ipv6-criteria**
  - **entry** *entry-id* [create]
  - **no entry** *entry-id*
    - **action** [hsmda-counter-override *counter-id*] [fc *fc-name*] [profile {in | out}] [policer *policer-id*] {port-redirect-group-queue *queue-id* | queue *queue-id* | use-fc-mapped-queue}
    - **no action**
    - **description** *description string*
    - **no description**
    - **match** [next-header *next header*]
    - **no match**
      - **dscp** *dscp-name*
      - **no dscp**
      - **dst-ip** {*ipv6-address/prefix-length* | *ipv6-address* *ipv6-address-mask*}

## Service Egress and Ingress QoS Policies

- **no dst-ip**
- **dst-port** {lt | gt | cq} *dst-port-number*
- **dst-port range** *start end*
- **no dst-port**
- **src-ip** {ipv6-address/prefix-length | ipv6-address ipv6-address-mask}
- **no src-ip**
- **src-port** {lt | gt | cq} *dst-port-number*
- **src-port range** *start end*
- **no src-port**
- **renum** *old-entry-number new-entry-number*
- **parent-location** {default | sla}
- **no parent-location**
- **policer** *policer-id* [group *queue-group-name* [queue *group-queue-id*]]
- **no policer**
  - **adaptation-rule** [pir {max | min | closest}] [cir {max | min | closest}]
  - **no adaptation-rule**
  - **adv-config-policy** *adv-config-policy-name*
  - **no adv-config-policy**
  - **cbs** {size [bytes | kilobytes] | default}
  - **no cbs**
  - **description** *description string*
  - **no description**
  - [no] **enable-dscp-prec-remarking**
  - [no] **enable-exceed-pir**
  - **high-prio-only** *percent-of-mbs*
  - **no high-prio-only**
  - **mbs** {size [bytes | kilobytes] | default}
  - **no mbs**
  - **packet-byte-offset** {add *bytes* | subtract *bytes*}
  - **no packet-byte-offset**
  - **parent** {root | *arbiter-name*} [level *level*] [weight *weight-within-level*]
  - **no parent**
  - **percent-rate** *percent-of-line-rate* [cir *percent-of-line-rate*]
  - **no percent-rate**
  - [no] **profile-capped**
  - [no] **profile-out-preserve**
  - **rate** {max | kilobits-per-second} [cir {max | kilobits-per-second}]
  - **no rate**
  - **stat-mode** {no-stats | minimal | offered-profile-no-cir | offered-profile-cir | offered-total-cir | offered-limited-capped-cir | offered-profile-capped-cir | offered-limited-capped-cir}
  - **no stat-mode**
- **policy-name** *policy-name*
- **no policy-name**
- **prec** *ip-prec-value* [hsmda-counter-override *counter-id*] [fc *fc-name*] [profile {in | out}]
- **no prec** *ip-prec-value*
- **queue** *queue-id* [multipoint] [*queue-type*] [*queue-mode*] pool *pool-name*
- **no queue** *queue-id*
  - **adaptation-rule** [pir *adaptation-rule*] [cir *adaptation-rule*]
  - **no adaptation-rule**
  - **adv-config-policy** *policy-name*
  - **no adv-config-policy**

## Service SAP QoS Policy Command Reference

- **avg-frame-overhead** *percent*
- **no avg-frame-overhead**
- **burst-limit**
- **no burst-limit**
- **cbs** *size-in-kbytes*
- **no cbs**
- **high-prio-only** *percent*
- **no high-prio-only**
- **mbs** *size* [*bytes* | *kilobytes*]
- **no mbs**
- **packet-byte-offset** **add** *add-bytes*
- **packet-byte-offset** **subtract** *sub-bytes*
- **no packet-byte-offset**
- **parent** *scheduler-name* [**weight** *weight*] [**level** *level*] [**cir-weight** *cir-weight*]  
    [**cir-level** *cir-level*]
- **no parent**
- **percent-rate** *pir-percent* [**cir** *cir-percent*] [**port-limit** | **local-limit**]
- **no percent-rate**
- [**no**] **pool** *pool-name*
- **port-parent** [**weight** *weight*] [**level** *level*] [**cir-weight** *cir-weight*] [**cir-level**  
    *cir-level*]
- **no port-parent**
- **rate** *pir-rate* [**cir** *cir-rate*]
- **no rate**
- **wred-queue** [**policy** *slope-policy-name*] [**mode** {**native** | **pool-per-queue**}]  
    [**slope-usage** {**default** | **exceed-low**}]
- **no wred-queue**
- **scope** {**exclusive** | **template**}
- **no scope**
- **sub-insert-shared-pccrule** **start-entry** *entry-id* **count** *count*
- **no sub-insert-shared-pccrule**

- config**
  - **qos**
    - **match-list**
      - **ip-prefix-list** *ip-prefix-list-name* [**create**]
      - **no ip-prefix-list** *ip-prefix-list-name*
        - **description** *string*
        - **no description**
        - **prefix** *ip-prefix/prefix-length*
        - **no prefix** *ip-prefix/prefix-length*

## Operational Commands

- config**
  - **qos**
    - **copy** **sap-egress** *src-pol* *dst-pol* [**overwrite**]
    - **copy** **sap-ingress** *src-pol* *dst-pol* [**overwrite**]
    - **copy** **hsmda-pool-policy** *src-name* *dst-name* [**overwrite**]
    - **copy** **hsmda-scheduler-policy** *src-name* *dst-name* [**overwrite**]
    - **copy** **hsmda-slope-policy** *src-name* *dst-name* [**overwrite**]

— **copy** **named-pool-policy** *src-name dst-name* [**overwrite**]

## Show Commands

```
show
 — qos
 — sap-ingress [policy-id] [association | match-criteria | hsmda | detail]
 — sap-egress [policy-id] [association | match-criteria | hsmda | detail]
```

## Command Descriptions

### Configuration Commands

#### Generic Commands

#### description

|                    |                                                                                                                                                                                                                                                                                                  |
|--------------------|--------------------------------------------------------------------------------------------------------------------------------------------------------------------------------------------------------------------------------------------------------------------------------------------------|
| <b>Syntax</b>      | <b>description</b> <i>description-string</i><br><b>no description</b>                                                                                                                                                                                                                            |
| <b>Context</b>     | config>qos>sap-egress<br>config>qos>sap-egress>ip-criteria>entry<br>config>qos>sap-ingress<br>config>qos>sap-ingress>ip-criteria>entry<br>config>qos>sap-ingress>ipv6-criteria>entry<br>config>qos>sap-ingress>mac-criteria>entry                                                                |
| <b>Description</b> | This command creates a text description stored in the configuration file for a configuration context.<br><br>The <b>no</b> form of this command removes any description string from the context.                                                                                                 |
| <b>Default</b>     | No description is associated with the configuration context.                                                                                                                                                                                                                                     |
| <b>Parameters</b>  | <i>description-string</i> — A text string describing the entity. Allowed values are any string up to 80 characters long composed of printable, 7-bit ASCII characters. If the string contains special characters (#, \$, spaces, etc.), the entire string must be enclosed within double quotes. |

## Operational Commands

### copy

**Syntax**     **copy sap-egress** *src-pol dst-pol* [**overwrite**]  
**copy sap-ingress** *src-pol dst-pol* [**overwrite**]  
**copy hsmda-pool-policy** *src-name dst-name* [**overwrite**]  
**copy hsmda-scheduler-policy** *src-name dst-name* [**overwrite**]  
**copy hsmda-slope-policy** *src-name dst-name* [**overwrite**]  
**copy named-pool-policy** *src-name dst-name* [**overwrite**]

**Context**     config>qos

**Description**     This command copies existing QoS policy entries for a QoS policy-id to another QoS policy-id.

The **copy** command is a configuration level maintenance tool used to create new policies using existing policies. It also allows bulk modifications to an existing policy with the use of the **overwrite** keyword.

**Parameters**     **sap-egress** *src-pol dst-pol* — Indicates that the source policy ID and the destination policy ID are sap-egress policy IDs. Specify the source policy ID that the copy command will attempt to copy from and specify the destination policy ID to which the command will copy a duplicate of the policy.

**Values**     1 to 65535

**sap-ingress** *src-pol dst-pol* — Indicates that the source policy ID and the destination policy ID are SAP ingress policy IDs. Specify the source policy ID that the copy command will attempt to copy from and specify the destination policy ID to which the command will copy a duplicate of the policy.

**Values**     1 to 65535

**hsmda-pool-policy** *src-name dst-name* — Indicates that the source HSMDA pool policy ID and the destination policy ID are HSMDA pool policy IDs. Specify the source policy ID that the copy command will attempt to copy from and specify the destination policy ID to which the command will copy a duplicate of the policy. This parameter applies only to the 7450 ESS and 7750 SR.

**hsmda-scheduler-policy** *src-name dst-name* — Indicates that the source HSMDA scheduler policy ID and the destination policy ID are HSMDA scheduler policy IDs. Specify the source policy ID that the copy command will attempt to copy from and specify the destination policy ID to which the command will copy a duplicate of the policy. This parameter applies only to the 7450 ESS and 7750 SR.

**hsmda-slope-policy** *src-name dst-name* — Indicates that the source HSMDA slope policy ID and the destination policy ID are HSMDA slope policy IDs. Specify the source policy ID that the copy command will attempt to copy from and specify the destination policy ID to which the command will copy a duplicate of the policy. This parameter applies only to the 7450 ESS and 7750 SR.



**overwrite** — Specifies to replace the existing destination policy. Everything in the existing destination policy will be overwritten with the contents of the source policy. If **overwrite** is not specified, an error will occur if the destination policy ID exists.

```
SR>config>qos# copy sap-egress 1 1010
MINOR: CLI Destination "1010" exists use {overwrite}.
SR>config>qos# copy sap-egress 1 1010 overwrite
```

### Service Ingress QoS Policy Commands

#### sap-ingress

**Syntax** [no] **sap-ingress** {*policy-id* | *policy-name*}

**Context** config>qos

**Description** This command is used to create or edit the ingress policy. The ingress policy defines the Service Level Agreement (SLA) enforcement service packets receive as they ingress a SAP. SLA enforcement is accomplished through the definition of queues that have Forwarding Class (FC), Committed Information Rate (CIR), Peak Information Rate (PIR), Committed Burst Size (CBS), and Maximum Burst Size (MBS) characteristics. The simplest policy defines a single queue that all ingress traffic flows through. Complex policies have multiple queues combined with specific IP or MAC match criteria that indicate which queue a packet will flow through.

Policies in effect are templates that can be applied to multiple services as long as the **scope** of the policy is template. Queues defined in the policy are not instantiated until a policy is applied to a service SAP.

A SAP ingress policy is considered incomplete if it does not include definition of at least one queue and does not specify the default action. The OS does not allow incomplete SAP ingress policies to be applied to services.

SAP ingress policies can be defined with either IP headers as the match criteria or MAC headers as the match criteria. The IP and MAC criteria are mutually exclusive and cannot be part of the same SAP ingress policy.

It is possible that a SAP ingress policy will include the **dscp** map command, the **dot1p** map command and an IP or MAC match criteria. When multiple matches occur for the traffic, the order of precedence will be used to arrive at the final action. The order of precedence is as follows:

1. 802.1p bits
2. DSCP
3. IP Quintuple or MAC headers

## Service SAP QoS Policy Command Reference

The SAP ingress policy with *policy-id* 1 is a system-defined policy applied to services when no other policy is explicitly specified. The system SAP ingress policy can be modified but not deleted. The **no sap-ingress** command restores the factory default settings when used on *policy-id* 1. The default SAP ingress policy defines one queue associated with the best effort (be) forwarding class, with CIR of zero and PIR of line rate.

Any changes made to the existing policy, using any of the sub-commands are applied immediately to all services where this policy is applied. For this reason, when many changes are required on a policy, it is recommended that the policy be copied to a work area policy ID. That work-in-progress policy can be modified until complete and then written over the original *policy-id*. Use the **config qos copy** command to maintain policies in this manner.

The **no sap-ingress *policy-id*** command deletes the SAP ingress policy. A policy cannot be deleted until it is removed from all services where it is applied. The system default SAP ingress policy is a special case; the **no** command restores the factory defaults to *policy-id* 1.

**Parameters** *policy-id* — The *policy-id* uniquely identifies the policy.

**Values** 1 to 65535

*policy-name* — The *policy-name* uniquely identifies the policy.

**Values** Valid names consist of any string up to 64 characters long. Policies must first be created with a *policy-id*, after which a *policy-name* can be assigned and used as an alias to reference the policy during configuration changes. Policy names may not begin with a number (0-9) or the underscore “\_” character (e.g. *\_myPolicy*). “default” can not be used as policy names. Saved configurations and display output from the “info” and most “show” commands will show the *policy-id* (not the *policy-name*) where the policies are referenced.

### policy-name

|                    |                                                                                                                                                                                                                                                                                                                                                                                 |
|--------------------|---------------------------------------------------------------------------------------------------------------------------------------------------------------------------------------------------------------------------------------------------------------------------------------------------------------------------------------------------------------------------------|
| <b>Syntax</b>      | <b>policy-name</b> <i>policy-name</i><br><b>no policy-name</b>                                                                                                                                                                                                                                                                                                                  |
| <b>Context</b>     | cconfig>qos>sap-ingress<br>config>qos>sap-egress                                                                                                                                                                                                                                                                                                                                |
| <b>Description</b> | Policies must first be created with a <i>policy-id</i> , after which a <i>policy-name</i> can be assigned and used as an alias to reference the policy during configuration changes. Saved configurations and display output from the <b>info</b> and most <b>show</b> commands will show the <i>policy-id</i> (not the <i>policy-name</i> ) where the policies are referenced. |
| <b>Default</b>     | no <i>policy-name</i>                                                                                                                                                                                                                                                                                                                                                           |
| <b>Parameters</b>  | <i>policy-name</i> — Policy names may not begin with a number (0-9) or the underscore “_” character (e.g. <i>_myPolicy</i> ). “default” cannot be used as policy names. Specify a character string 64 characters or less.                                                                                                                                                       |

## scope

|                    |                                                                                                                                                                                                                                                                                                                                                                                                                                                                                                                                                                                                                                                                                                                                                                                                                                          |
|--------------------|------------------------------------------------------------------------------------------------------------------------------------------------------------------------------------------------------------------------------------------------------------------------------------------------------------------------------------------------------------------------------------------------------------------------------------------------------------------------------------------------------------------------------------------------------------------------------------------------------------------------------------------------------------------------------------------------------------------------------------------------------------------------------------------------------------------------------------------|
| <b>Syntax</b>      | <b>scope {exclusive   template}</b><br><b>no scope</b>                                                                                                                                                                                                                                                                                                                                                                                                                                                                                                                                                                                                                                                                                                                                                                                   |
| <b>Context</b>     | config>qos>sap-ingress                                                                                                                                                                                                                                                                                                                                                                                                                                                                                                                                                                                                                                                                                                                                                                                                                   |
| <b>Description</b> | This command configures the Service Ingress QoS policy scope as exclusive or template.<br><br>The policy's scope cannot be changed if the policy is applied to a service.<br><br>The <b>no</b> form of this command sets the scope of the policy to the default of <b>template</b> .                                                                                                                                                                                                                                                                                                                                                                                                                                                                                                                                                     |
| <b>Default</b>     | template                                                                                                                                                                                                                                                                                                                                                                                                                                                                                                                                                                                                                                                                                                                                                                                                                                 |
| <b>Parameters</b>  | <b>exclusive</b> — When the scope of a policy is defined as exclusive, the policy can only be applied to one SAP. If a policy with an exclusive scope is assigned to a second SAP an error message is generated. If the policy is removed from the exclusive SAP, it will become available for assignment to another exclusive SAP.<br><br>The system default policies cannot be put into the exclusive scope. An error will be generated if scope exclusive is executed in any policies with a policy-id equal to 1.<br><br><b>template</b> — When the scope of a policy is defined as template, the policy can be applied to multiple SAPs on the router.<br><br>Default QoS policies are configured with template scopes. An error is generated when the template scope parameter to exclusive scope on default policies is modified. |

## sub-insert-shared-pccrule

|                    |                                                                                                                                                                                                                                                                                                                   |
|--------------------|-------------------------------------------------------------------------------------------------------------------------------------------------------------------------------------------------------------------------------------------------------------------------------------------------------------------|
| <b>Syntax</b>      | <b>sub-insert-shared-pccrule start-entry entry-id count count</b><br><b>no sub-insert-shared-pccrule</b>                                                                                                                                                                                                          |
| <b>Context</b>     | config>qos>sap-egress<br>config>qos>sap-ingress                                                                                                                                                                                                                                                                   |
| <b>Description</b> | This command defines the range of filter and QoS policy entries that are reserved for shared entries received in Flow-Information AVP via Gx interface (PCC rules – Policy and Charging Control). The no version of this command disables the insertion, which will result in a failure of PCC rule installation. |
| <b>Default</b>     | no sub-insert-shared-pccrule                                                                                                                                                                                                                                                                                      |
| <b>Parameters</b>  | <b>start-entry entry-id</b> — Specifies the lowest entry in the range.<br><br><b>Values</b> 1 to 65535<br><br><b>count count</b> — Specifies the number of entries in the range.<br><br><b>Values</b> 1 to 65535                                                                                                  |

### default-fc

|                    |                                                                                                                                                                                                                                                                                                                                                                                                                                                                                                                                                                                                                                                                                                                                                                                                                                                                                                                                                                                                                                                                           |     |                   |  |                                       |  |                              |
|--------------------|---------------------------------------------------------------------------------------------------------------------------------------------------------------------------------------------------------------------------------------------------------------------------------------------------------------------------------------------------------------------------------------------------------------------------------------------------------------------------------------------------------------------------------------------------------------------------------------------------------------------------------------------------------------------------------------------------------------------------------------------------------------------------------------------------------------------------------------------------------------------------------------------------------------------------------------------------------------------------------------------------------------------------------------------------------------------------|-----|-------------------|--|---------------------------------------|--|------------------------------|
| <b>Syntax</b>      | <b>default-fc</b> <i>fc-name</i>                                                                                                                                                                                                                                                                                                                                                                                                                                                                                                                                                                                                                                                                                                                                                                                                                                                                                                                                                                                                                                          |     |                   |  |                                       |  |                              |
| <b>Context</b>     | config>qos>sap-ingress                                                                                                                                                                                                                                                                                                                                                                                                                                                                                                                                                                                                                                                                                                                                                                                                                                                                                                                                                                                                                                                    |     |                   |  |                                       |  |                              |
| <b>Description</b> | <p>This command configures the default forwarding class for the policy. In the event that an ingress packet does not match a higher priority (more explicit) classification command, the default forwarding class or sub-class will be associated with the packet. Unless overridden by an explicit forwarding class classification rule, all packets received on an ingress SAP using this ingress QoS policy will be classified to the default forwarding class. Optionally, the default ingress enqueueing priority for the traffic can be overridden as well.</p> <p>The default forwarding class is best effort (be). The <b>default-fc</b> settings are displayed in the <b>show configuration</b> and <b>save</b> output regardless of inclusion of the <b>detail</b> keyword.</p>                                                                                                                                                                                                                                                                                 |     |                   |  |                                       |  |                              |
| <b>Default</b>     | be                                                                                                                                                                                                                                                                                                                                                                                                                                                                                                                                                                                                                                                                                                                                                                                                                                                                                                                                                                                                                                                                        |     |                   |  |                                       |  |                              |
| <b>Parameters</b>  | <p><i>fc-name</i> — Specify the forwarding class name for the queue. The value given for <i>fc-name</i> must be one of the predefined forwarding classes in the system.</p> <p>The sub-class-name parameter is optional and used with the <i>fc-name</i> parameter to define a preexisting sub-class. The <i>fc-name</i> and sub-class-name parameters must be separated by a period (dot). If sub-class-name does not exist in the context of <i>fc-name</i>, an error will occur. If sub-class-name is removed using the <code>no fc <i>fc-name</i>.sub-class-name force</code> command, the <code>default-fc</code> command will automatically drop the sub-class-name and only use <i>fc-name</i> (the parent forwarding class for the sub-class) as the forwarding class.</p> <p><b>Values</b></p> <table><tr><td>fc:</td><td>class[.sub-class]</td></tr><tr><td></td><td>class: be, l2, af, l1, h2, ef, h1, nc</td></tr><tr><td></td><td>sub-class: 29 characters max</td></tr></table> <p><b>Default</b> None (Each sub-class-name must be explicitly defined)</p> | fc: | class[.sub-class] |  | class: be, l2, af, l1, h2, ef, h1, nc |  | sub-class: 29 characters max |
| fc:                | class[.sub-class]                                                                                                                                                                                                                                                                                                                                                                                                                                                                                                                                                                                                                                                                                                                                                                                                                                                                                                                                                                                                                                                         |     |                   |  |                                       |  |                              |
|                    | class: be, l2, af, l1, h2, ef, h1, nc                                                                                                                                                                                                                                                                                                                                                                                                                                                                                                                                                                                                                                                                                                                                                                                                                                                                                                                                                                                                                                     |     |                   |  |                                       |  |                              |
|                    | sub-class: 29 characters max                                                                                                                                                                                                                                                                                                                                                                                                                                                                                                                                                                                                                                                                                                                                                                                                                                                                                                                                                                                                                                              |     |                   |  |                                       |  |                              |

### default-priority

|                    |                                                                                                                                                                                                                                                    |
|--------------------|----------------------------------------------------------------------------------------------------------------------------------------------------------------------------------------------------------------------------------------------------|
| <b>Syntax</b>      | <b>default-priority</b> {high   low}                                                                                                                                                                                                               |
| <b>Context</b>     | config>qos>sap-ingress                                                                                                                                                                                                                             |
| <b>Description</b> | <p>This command configures the default enqueueing priority for all packets received on an ingress SAP using this policy. To change the default priority for the policy, the <b>fc-name</b> must be defined whether it is being changed or not.</p> |
| <b>Default</b>     | low                                                                                                                                                                                                                                                |

- Parameters**
- high** — Setting the enqueueing parameter to **high** for a packet increases the likelihood of enqueueing the packet when the ingress queue is congested. Ingress enqueueing priority only affects ingress SAP queuing, once the packet is placed in a buffer on the ingress queue, the significance of the enqueueing priority is lost.
  - low** — Setting the enqueueing parameter to **low** for a packet decreases the likelihood of enqueueing the packet when the ingress queue is congested. Ingress enqueueing priority only affects ingress SAP queuing, once the packet is placed in a buffer on the ingress queue, the significance of the enqueueing priority is lost.

## fc

- Syntax** `[no] fc fc-name`
- Context** `config>qos>sap-ingress`
- Description** The **fc** command creates a class or sub-class instance of the forwarding class *fc-name*. Once the *fc-name* is created, classification actions can be applied and the sub-class can be used in match classification criteria. Attempting to use an undefined sub-class in a classification command will result in an execution error and the command will fail.
- The **no** form of the command removes all the explicit queue mappings for *fc-name* forwarding types. The queue mappings revert to the default queues for *fc-name*. To successfully remove a sub-class, all associations with the sub-class in the classification commands within the policy must first be removed or diverted to another forwarding class or sub-class.
- Parameters** *fc-name* — The parameter sub-class-name is optional and must be defined using a dot separated notation with a preceding valid system-wide forwarding class name. Creating a sub-class follows normal naming conventions. Up to sixteen ASCII characters may be used. If the same sub-name is used with two or more forwarding class names, each is considered a different instance of sub-class. A sub-class must always be specified with its preceding forwarding class name. When a forwarding class is created or specified without the optional sub-class, the parent forwarding class is assumed.
- Within the SAP ingress QoS policy, up to 56 sub classes may be created. Each of the 56 sub-classes may be created within any of the eight parental forwarding classes. Once the limit of 56 is reached, any further sub-class creations will fail and the sub-class will not exist.
- Successfully creating a sub-class places the CLI within the context of the sub-class for further sub-class parameter definitions. Within the sub-class context, commands may be executed that define sub-class priority (within the parent forwarding class queue mapping), sub-class color aware profile settings, sub-class in-profile and out-of-profile precedence or DSCP markings.
- The sub-class-name parameter is optional and used with the *fc-name* parameter to define a preexisting sub-class. The *fc-name* and sub-class-name parameters must be separated by a period (dot). If sub-class-name does not exist in the context of *fc -name*, an error will occur. If sub-class-name is removed using the `no fc fc-name.sub-class-name force` command, the default-*fc* command will automatically drop the sub-class-name and only use *fc-name* (the parent forwarding class for the sub-class) as the forwarding class.

### Values

## Service SAP QoS Policy Command Reference

fc: class[.sub-class]  
class: be, l2, af, l1, h2, ef, h1, nc  
sub-class: 29 characters max

**Default** None (Each sub-class-name must be explicitly defined)

### policer

|                    |                                                                                                                                                                                                                                                                                                                                                                                                                                                                                                                                                                                                                                                                                                                                                                                                                                                                                                                                                                                                                                                                                                                                                                                                                                                                      |
|--------------------|----------------------------------------------------------------------------------------------------------------------------------------------------------------------------------------------------------------------------------------------------------------------------------------------------------------------------------------------------------------------------------------------------------------------------------------------------------------------------------------------------------------------------------------------------------------------------------------------------------------------------------------------------------------------------------------------------------------------------------------------------------------------------------------------------------------------------------------------------------------------------------------------------------------------------------------------------------------------------------------------------------------------------------------------------------------------------------------------------------------------------------------------------------------------------------------------------------------------------------------------------------------------|
| <b>Syntax</b>      | <b>policer</b> <i>policer-id</i> [ <b>fp-redirect-group</b> ]<br><b>no policer</b>                                                                                                                                                                                                                                                                                                                                                                                                                                                                                                                                                                                                                                                                                                                                                                                                                                                                                                                                                                                                                                                                                                                                                                                   |
| <b>Context</b>     | config>qos>sap-ingress>fc                                                                                                                                                                                                                                                                                                                                                                                                                                                                                                                                                                                                                                                                                                                                                                                                                                                                                                                                                                                                                                                                                                                                                                                                                                            |
| <b>Description</b> | Within a sap-ingress QoS policy forwarding class context, the <b>policer</b> command is used to map packets that match the forwarding class and are considered unicast in nature to the specified policer-id. The specified policer-id must already exist within the <b>sap-ingress</b> QoS policy. While the system is determining the forwarding class of a packet, it is also looking up its forwarding destination. If ingress forwarding logic has resolved a unicast destination (the packet does not need to be sent to multiple destinations), it is considered to be a unicast packet and will be mapped to either an ingress queue (using the <b>queue</b> <i>queue-id</i> or <b>queue</b> <i>queue-id</i> <b>group</b> <i>ingress-queue-group</i> commands) or an ingress policer ( <b>policer</b> <i>policer-id</i> ). The <b>queue</b> and <b>policer</b> commands within the forwarding class context are mutually exclusive. By default, the unicast forwarding type is mapped to the SAP ingress default queue (queue 1). If the <b>policer</b> <i>policer-id</i> command is executed, any previous policer mapping or queue mapping for the unicast forwarding type within the forwarding class is overridden if the policer mapping is successful. |

A policer defined within the **sap-ingress** policy is not actually created on an ingress SAP or a subscriber using an **sla-profile** where the policy is applied until at least one forwarding type (unicast, broadcast, unknown or multicast) from one of the forwarding classes is mapped to the policer. If insufficient policer resources exist to create the policer for a SAP or subscriber or multi-service site or ingress policing is not supported on the port associated with the SAP or subscriber or multi-service site, the initial forwarding class forwarding type mapping will fail.

When the unicast forwarding type within a forwarding class is mapped to a policer, the unicast packets classified to the sub-classes within the forwarding class are also mapped to the policer.

The **no** form of this command is used to restore the mapping of the unicast forwarding type within the forwarding class to the default queue. If all forwarding class forwarding types had been removed from the default queue, the queue will not exist on the SAPs or subscriber or multi-service sites associated with the QoS policy and the **no policer** command will cause the system to attempt to create the default queue on each object. If the system cannot create the default queue in each instance, the **no policer** command will fail and the unicast forwarding type within the forwarding class will continue its mapping to the existing policer-id. If the **no policer** command results in a policer without any current mappings, the policer will be removed from the SAPs and subscribers associated with the QoS policy. All statistics associated with the policer on each SAP and subscriber will be lost.

- Parameters** *policer-id* — When the forwarding class **policer** command is executed, a valid *policer-id* must be specified. The parameter *policer-id* references a *policer-id* that has already been created within the **sap-ingress** QoS policy.
- Values** 1 to 63
- Default** None
- fp-redirect-group** — Redirects a forwarding class to a forwarding plane queue-group as specified in a SAP QoS policy.

## broadcast-policer

- Syntax** **broadcast-policer** *policer-id* [**fp-redirect-group**]  
**no broadcast-policer**
- Context** config>qos>sap-ingress>fc
- Description** Within a **sap-ingress** QoS policy forwarding class context, the **broadcast-policer** command is used to map packets that match the forwarding class and are considered broadcast in nature to the specified *policer-id*. The specified *policer-id* must already exist within the **sap-ingress** QoS policy. While the system is determining the forwarding class of a packet, it is also looking up its forwarding destination based on the ingress service type and the service instance forwarding records. If the service type is VPLS and the destination MAC address is the broadcast address (ff:ff:ff:ff:ff:ff), the packet is classified into the broadcast forwarding type.

Broadcast forwarding type packets are mapped to either an ingress multipoint queue (using the **broadcast** *queue-id* or **broadcast** *queue-id* **group** *ingress-queue-group* commands) or an ingress policer (**broadcast-policer** *policer-id*). The **broadcast** and **broadcast-policer** commands within the forwarding class context are mutually exclusive. By default, the broadcast forwarding type is mapped to the SAP ingress default multipoint queue. If the **broadcast-policer** *policer-id* command is executed, any previous policer mapping or queue mapping for the broadcast forwarding type within the forwarding class is overridden if the policer mapping is successful.

A policer defined within the **sap-ingress** policy is not actually created on an ingress SAP or a subscriber using an **sla-profile** where the policy is applied until at least one forwarding type (unicast, broadcast, unknown or multicast) from one of the forwarding classes is mapped to the policer. If insufficient policer resources exist to create the policer for a SAP or subscriber or multi-service site or ingress policing is not supported on the port associated with the SAP or subscriber or multi-service site, the initial forwarding class forwarding type mapping will fail.

The **broadcast-policer** command is ignored for instances of the policer applied to SAPs or subscribers multiservice site where broadcast packets are not supported.

When the broadcast forwarding type within a forwarding class is mapped to a policer, the broadcast packets classified to the sub-classes within the forwarding class are also mapped to the policer.

## Service SAP QoS Policy Command Reference

The **no** form of this command is used to restore the mapping of the broadcast forwarding type within the forwarding class to the default multipoint queue. If all forwarding class forwarding types had been removed from the default multipoint queue, the queue will not exist on the SAPs or subscribers or multi-service site associated with the QoS policy and the **no broadcast-policer** command will cause the system to attempt to create the default multipoint queue on each object. If the system cannot create the queue on each instance, the **no broadcast-policer** command will fail and the broadcast forwarding type within the forwarding class will continue its mapping to the existing policer-id. If the **no broadcast-policer** command results in a policer without any current mappings, the policer will be removed from the SAPs and subscribers associated with the QoS policy. All statistics associated with the policer on each SAP and subscriber will be lost.

**Parameters** *policer-id* — When the forwarding class **broadcast-policer** command is executed, a valid *policer-id* must be specified. The parameter *policer-id* references a *policer-id* that has already been created within the sap-ingress QoS policy.

**Values** 1 to 63

**Default** None

**fp-redirect-group** — Redirects a forwarding class to a forwarding plane queue-group as specified in a SAP QoS policy.

## multicast-policer

**Syntax** **multicast-policer** *policer-id* [**fp-redirect-group**]  
**no multicast-policer**

**Context** config>qos>sap-ingress>fc

**Description** Within a **sap-ingress** QoS policy forwarding class context, the **multicast-policer** command is used to map packets that match the forwarding class and are considered multicast in nature to the specified *policer-id*. The specified *policer-id* must already exist within the **sap-ingress** QoS policy. While the system is determining the forwarding class of a packet, it is also looking up its forwarding destination based on the ingress service type and the service instance forwarding records. Two basic types of services support multicast packets; routed services (IES and VPRN) and L2 multipoint services (VPLS, I-VPLS and B-VPLS). For the routed service types, a multicast packet is destined to an IPv4 or IPv6 multicast address. For the L2 multipoint services, a multicast packet is a packet destined to a multicast MAC address (multicast bit set in the destination MAC address but not the ff:ff:ff:ff:ff:ff broadcast address). The VPLS services also support two other multipoint forwarding types (broadcast and unknown) which are considered separate from the multicast forwarding type.

If ingress forwarding logic has resolved a packet to the multicast forwarding type within the forwarding class, it will be mapped to either an ingress multipoint queue (using the **multicast queue-id** or **multicast queue-id group ingress-queue-group** commands) or an ingress policer (**multicast-policer policer-id**). The **multicast** and **multicast-policer** commands within the forwarding class context are mutually exclusive. By default, the multicast forwarding type is mapped to the SAP ingress default multipoint queue. If the **multicast-policer policer-id** command is executed, any previous policer mapping or queue mapping for the multicast forwarding type within the forwarding class is overridden if the policer mapping is successful.



A policer defined within the **sap-ingress** policy is not actually created on an ingress SAP or a subscriber using an **sla-profile** where the policy is applied until at least one forwarding type (unicast, broadcast, unknown or multicast) from one of the forwarding classes is mapped to the policer. If insufficient policer resources exist to create the policer for a SAP or subscriber or multi-service site or ingress policing is not supported on the port associated with the SAP or subscriber or multi-service site, the initial forwarding class forwarding type mapping will fail.

The **multicast-policer** command is ignored for instances of the policer applied to SAPs subscribers or multi-service site where broadcast packets are not supported.

When the multicast forwarding type within a forwarding class is mapped to a policer, the multicast packets classified to the sub-classes within the forwarding class are also mapped to the policer.

The **no** form of this command is used to restore the mapping of the multicast forwarding type within the forwarding class to the default multipoint queue. If all forwarding class forwarding types had been removed from the default multipoint queue, the queue will not exist on the SAPs subscribers or multi-service site associated with the QoS policy and the **no multicast-policer** command will cause the system to attempt to create the default multipoint queue on each object. If the system cannot create the queue on each instance, the **no multicast-policer** command will fail and the multicast forwarding type within the forwarding class will continue its mapping to the existing policer-id. If the **no multicast-policer** command results in a policer without any current mappings, the policer will be removed from the SAPs and subscribers associated with the QoS policy. All statistics associated with the policer on each SAP and subscriber will be lost.

**Parameters** *policer-id* — When the forwarding class **multicast-policer** command is executed, a valid *policer-id* must be specified. The parameter *policer-id* references a *policer-id* that has already been created within the **sap-ingress** QoS policy.

**Values** 1 to 63

**Default** None

**fp-redirect-group** — Redirects a forwarding class to a forwarding plane queue-group as specified in a SAP QoS policy.

### unknown-policer

**Syntax** **unknown-policer** *policer-id* [**fp-redirect-group**]  
**no unknown-policer**

**Context** config>qos>sap-ingress>fc

**Description** Within a **sap-ingress** QoS policy forwarding class context, the **unknown-policer** command is used to map packets that match the forwarding class and are considered unknown in nature to the specified policer-id. The specified policer-id must already exist within the **sap-ingress** QoS policy. While the system is determining the forwarding class of a packet, it is also looking up its forwarding destination based on the ingress service type and the service instance forwarding records. If the service type is VPLS and the destination MAC address is unicast but the MAC has not been learned and populated within the VPLS services FDB, the packet is classified into the unknown forwarding type.

## Service SAP QoS Policy Command Reference

Unknown forwarding type packets are mapped to either an ingress multipoint queue (using the **unknown** *queue-id* or **unknown** *queue-id* **group** *ingress-queue-group* commands) or an ingress policer (**unknown-policer** *policer-id*). The **unknown** and **unknown-policer** commands within the forwarding class context are mutually exclusive. By default, the unknown forwarding type is mapped to the SAP ingress default multipoint queue. If the **unknown-policer** *policer-id* command is executed, any previous policer mapping or queue mapping for the unknown forwarding type within the forwarding class is overridden if the policer mapping is successful.

A policer defined within the **sap-ingress** policy is not actually created on an ingress SAP or a subscriber using an **sla-profile** where the policy is applied until at least one forwarding type (unicast, broadcast, unknown or multicast) from one of the forwarding classes is mapped to the policer. If insufficient policer resources exist to create the policer for a SAP or subscriber or multi-service site or ingress policing is not supported on the port associated with the SAP or subscriber or multi-service site, the initial forwarding class forwarding type mapping will fail.

The **unknown-policer** command is ignored for instances of the policer applied to SAPs or subscribers multiservice site where unknown packets are not supported.

When the unknown forwarding type within a forwarding class is mapped to a policer, the unknown packets classified to the sub-classes within the forwarding class are also mapped to the policer.

The **no** form of this command is used to restore the mapping of the unknown forwarding type within the forwarding class to the default multipoint queue. If all forwarding class forwarding types had been removed from the default multipoint queue, the queue will not exist on the SAPs or subscriber or multi-service site associated with the QoS policy and the **no** broadcast-policer command will cause the system to attempt to create the default multipoint queue on each object. If the system cannot create the queue on each instance, the **no** unknown-policer command will fail and the unknown forwarding type within the forwarding class will continue its mapping to the existing policer-id. If the **no** unknown-policer command results in a policer without any current mappings, the policer will be removed from the SAPs and subscribers associated with the QoS policy. All statistics associated with the policer on each SAP and subscriber will be lost.

**Parameters** *policer-id* — When the forwarding class **unknown-policer** command is executed, a valid *policer-id* must be specified. The parameter *policer-id* references a *policer-id* that has already been created within the **sap-ingress** QoS policy.

**Values** 1 to 63

**Default** None

**fp-redirect-group** — Redirects a forwarding class to a forwarding plane queue-group as specified in a SAP QoS policy.

### dot1p

**Syntax** **dot1p** *dot1p-value* [**fc** *fc-name*] [**profile** {**in** | **out** | **use-de**}]  
**no dot1p** *dot1p-value*

**Context** config>qos>sap-ingress

**Description** This command explicitly sets the forwarding class or sub-class or enqueueing priority when a packet is marked with a *dot1p-priority* specified. Adding a *dot1p* rule on the policy forces packets that match the *dot1p-priority* specified to override the forwarding class and enqueueing priority based on the parameters included in the *dot1p* rule. When the forwarding class is not specified in the rule, a matching packet preserves (or inherits) the existing forwarding class derived from earlier matches in the classification hierarchy. When the enqueueing priority is not specified in the rule, a matching packet preserves (or inherits) the existing enqueueing priority derived from earlier matches in the classification hierarchy.

The *dot1p-priority* is derived from the most significant three bits in the IEEE 802.1q or IEEE 802.1p header. The three *dot1p* bits define 8 Class-of-Service (CoS) values commonly used to map packets to per-hop Quality-of-Service (QoS) behavior.

The **no** form of this command removes the explicit *dot1p* classification rule from the SAP ingress policy. Removing the rule on the policy immediately removes the rule on all ingress SAPs using the policy.

**Parameters** *dot1p-value* — This value is a required parameter that specifies the unique IEEE 802.1p value that will match the *dot1p* rule. If the command is executed multiple times with the same *dot1p-value*, the previous forwarding class and enqueueing priority is completely overridden by the new parameters or defined to be inherited when a forwarding class or enqueueing priority parameter is missing.

A maximum of eight *dot1p* rules are allowed on a single policy.

**Values** 0 to 7

**fc** *fc-name* — The value given for the *fc-name* parameter must be one of the predefined forwarding classes in the system. Specifying the *fc-name* is optional. When a packet matches the rule, the forwarding class is only overridden when the *fc* *fc-name* parameter is defined on the rule. If the packet matches and the forwarding class is not explicitly defined in the rule, the forwarding class is inherited based on previous rule matches.

**Default** None

**priority** {**in** | **out** | **use-de**} — All frames that are assigned to this forwarding class will be considered in or out of profile based on this command or to use the default. In case of congestion, the in- profile frames are preferentially queued over the out-of-profile frames

**Values** **in** — All frames are treated as in-profile.

**out** — All frames are treated as out of profile.

**use-de** — The profile of all frames is set according to the DEI bit.

## dscp

**Syntax** **dscp** *dscp-name* [*dscp-name...*(upto 8 max)] **fc** *fc-name* [**priority** {**low** | **high**}]  
**no dscp** *dscp-name* [*dscp-name...*(upto 8 max)]

**Context** config>qos>sap-ingress

## Service SAP QoS Policy Command Reference

**Description** This command explicitly sets the forwarding class or subclass or enqueueing priority when a packet is marked with the DiffServ Code Point (DSCP) value contained in the *dscp-name*. A list of up to 8 *dscp-names* can be entered on a single command. The lists of *dscp-names* within the configuration are managed by the system to ensure that each list does not exceed 8 names. Entering more than 8 *dscp-names* with the same parameters (**fc**, **priority**) will result in multiple lists being created. Conversely, multiple lists with the same parameters (fc, priority) are merged and the lists repacked to a maximum of 8 per list if *dscp-names* are removed or the parameters changed so the multiple lists use the same parameters. Also, if a subset of a list is entered with different parameters then a new list will be created for the subset. When the list is stored in the configuration, the *dscp-names* are sorted by their DSCP value in ascending numerical order, consequently the order in the configuration may not be exactly what the user entered.

Adding a DSCP rule on the policy forces packets that match the DSCP value specified to override the forwarding class and enqueueing priority based on the parameters included in the DSCP rule. When the forwarding class is not specified in the rule, a matching packet preserves (or inherits) the existing forwarding class derived from earlier matches in the classification hierarchy. When the enqueueing priority is not specified in the rule, a matching packet preserves (or inherits) the existing enqueueing priority derived from earlier matches in the classification hierarchy.

The DSCP value (referred to here by *dscp-name*) is derived from the most significant six bits in the IPv4 header ToS byte field (DSCP bits) or the Traffic Class field from the IPv6 header. If the packet does not have an IP header, *dscp* based matching is not performed. The six DSCP bits define 64 DSCP values used to map packets to per-hop Quality-of-Service (QoS) behavior. The most significant three bits in the IP header ToS byte field are also commonly used in a more traditional manner to specify an IP precedence value, causing an overlap between the precedence space and the DSCP space. Both IP precedence and DSCP classification rules are supported.

DSCP rules have a higher match priority than IP precedence rules and where a *dscp-name* DSCP value overlaps an *ip-prec-value*, the DSCP rule takes precedence.

The **no** form of the command removes the specified the *dscp-names* from the explicit DSCP classification rule in the SAP ingress policy. As *dscp-names* are removed, the system repacks the lists of *dscp-names* with the same parameters (up to 8 per list). As the **no** command does not have any additional parameters, it is possible to remove multiple *dscp-names* from multiple DSCP statements having different parameters with one command. If a *dscp-name* specified in a **no** command does not exist in any DSCP statement, then the command is aborted at that point with an error message displayed; any *dscp-names* in the list before the failed entry will be processed as normal but the processing will stop at the failed entry so that the remainder of the list is not processed.

Removing the *dscp-name* from the policy immediately removes the *dscp-name* on all ingress SAPs using the policy.

This is supported on FP2- and higher-based line cards for the 7450 ESS.

**Parameters** *dscp-name* — The DSCP name is a required parameter that specifies the unique IP header ToS byte DSCP bits value that will match the DSCP rule. If the command is executed multiple times with the same *dscp-name*, the previous forwarding class and enqueueing priority is completely overridden by the new parameters or defined to be inherited when a forwarding class or enqueueing priority parameter is missing.

## Service Egress and Ingress QoS Policies

A maximum of 64 DSCP rules are allowed on a single policy and a maximum of 8 *dscp-names* can be specified in a single statement.

The specified name must exist as a *dscp-name*. SR OS software provides names for the well-known code points these can be shown using the command below:

```
A:PE# show qos dscp-table
```

```
=====
DSCP Mapping
=====
```

| DSCP Name | DSCP Value | TOS (bin) | TOS (hex) |
|-----------|------------|-----------|-----------|
| be        | 0          | 0000 0000 | 00        |
| cp1       | 1          | 0000 0100 | 04        |
| cp2       | 2          | 0000 1000 | 08        |
| cp3       | 3          | 0000 1100 | 0C        |
| cp4       | 4          | 0001 0000 | 10        |
| cp5       | 5          | 0001 0100 | 14        |
| cp6       | 6          | 0001 1000 | 18        |
| cp7       | 7          | 0001 1100 | 1C        |
| cs1       | 8          | 0010 0000 | 20        |
| cp9       | 9          | 0010 0100 | 24        |
| af11      | 10         | 0010 1000 | 28        |
| cp11      | 11         | 0010 1100 | 2C        |
| af12      | 12         | 0011 0000 | 30        |
| cp13      | 13         | 0011 0100 | 34        |
| af13      | 14         | 0011 1000 | 38        |
| cp15      | 15         | 0011 1100 | 3C        |
| cs2       | 16         | 0100 0000 | 40        |
| cp17      | 17         | 0100 0100 | 44        |
| af21      | 18         | 0100 1000 | 48        |
| cp19      | 19         | 0100 1100 | 4C        |
| af22      | 20         | 0101 0000 | 50        |
| cp21      | 21         | 0101 0100 | 54        |
| af23      | 22         | 0101 1000 | 58        |
| cp23      | 23         | 0101 1100 | 5C        |
| cs3       | 24         | 0110 0000 | 60        |
| cp25      | 25         | 0110 0100 | 64        |
| af31      | 26         | 0110 1000 | 68        |
| cp27      | 27         | 0110 1100 | 6C        |
| af32      | 28         | 0111 0000 | 70        |
| cp29      | 29         | 0111 0100 | 74        |
| af33      | 30         | 0111 1000 | 78        |
| cp31      | 31         | 0111 1100 | 7C        |
| cs4       | 32         | 1000 0000 | 80        |
| cp33      | 33         | 1000 0100 | 84        |
| af41      | 34         | 1000 1000 | 88        |
| cp35      | 35         | 1000 1100 | 8C        |
| af42      | 36         | 1001 0000 | 90        |
| cp37      | 37         | 1001 0100 | 94        |
| af43      | 38         | 1001 1000 | 98        |
| cp39      | 39         | 1001 1100 | 9C        |
| cs5       | 40         | 1010 0000 | A0        |
| cp41      | 41         | 1010 0100 | A4        |
| cp42      | 42         | 1010 1000 | A8        |
| cp43      | 43         | 1010 1100 | AC        |
| cp44      | 44         | 1011 0000 | B0        |
| cp45      | 45         | 1011 0100 | B4        |
| ef        | 46         | 1011 1000 | B8        |
| cp47      | 47         | 1011 1100 | BC        |

## Service SAP QoS Policy Command Reference

|      |    |           |    |
|------|----|-----------|----|
| nc1  | 48 | 1100 0000 | C0 |
| cp49 | 49 | 1100 0100 | C4 |
| cp50 | 50 | 1100 1000 | C8 |
| cp51 | 51 | 1100 1100 | CC |
| cp52 | 52 | 1101 0000 | D0 |
| cp53 | 53 | 1101 0100 | D4 |
| cp54 | 54 | 1101 1000 | D8 |
| cp55 | 55 | 1101 1100 | DC |
| nc2  | 56 | 1110 0000 | E0 |
| cp57 | 57 | 1110 0100 | E4 |
| cp58 | 58 | 1110 1000 | E8 |
| cp59 | 59 | 1110 1100 | EC |
| cp60 | 60 | 1111 0000 | F0 |
| cp61 | 61 | 1111 0100 | F4 |
| cp62 | 62 | 1111 1000 | F8 |
| cp63 | 63 | 1111 1100 | FC |

=====

**fc *fc-name*** — The value given for *fc-name* must be one of the predefined forwarding classes in the system. Specifying the *fc-name* is optional. When a packet matches the rule the forwarding class is only overridden when the **fc *fc-name*** parameter is defined on the rule. If the packet matches and the forwarding class is not explicitly defined in the rule, the forwarding class is inherited based on previous rule matches.

The sub-class-name parameter is optional and used with the *fc-name* parameter to define a preexisting sub-class. The *fc-name* and sub-class-name parameters must be separated by a period (dot). If sub-class-name does not exist in the context of *fc-name*, an error will occur. If sub-class-name is removed using the **no fc *fc-name*.sub-class-name force** command, the default-*fc* command will automatically drop the sub-class-name and only use *fc-name* (the parent forwarding class for the sub-class) as the forwarding class.

### Values

```
fc: class[.sub-class]
 class: be, l2, af, l1, h2, ef, h1, nc
 sub-class: 29 characters max
```

**Default** Inherit (When **fc *fc-name*** is not defined, the rule preserves the previous forwarding class of the packet.)

**priority** — This parameter overrides the default enqueueing priority for all packets received on an ingress SAP using this policy that match this rule. Specifying the priority is optional. When a packet matches the rule the enqueueing priority is only overridden when the priority parameter is defined on the rule. If the packet matches and priority is not explicitly defined in the rule, the enqueueing priority is inherited based on previous rule matches.

**Default** low priority

**high** — This parameter is used in conjunction with the **priority** parameter. Setting the enqueueing parameter to **high** for a packet increases the likelihood of enqueueing the packet when the ingress queue is congested. Ingress enqueueing priority only affects ingress SAP queuing. Once the packet is placed in a buffer on the ingress queue, the significance of the enqueueing priority is lost.

**Default** low priority

**low** — This parameter is used in conjunction with the **priority** parameter. Setting the enqueueing parameter to **low** for a packet decreases the likelihood of enqueueing the packet when the ingress queue is congested. Ingress enqueueing priority only affects ingress SAP queuing, once the packet is placed in a buffer on the ingress queue, the significance of the enqueueing priority is lost.

**Default** Inherit (When **priority** is not defined, the rule preserves the previous enqueueing priority of the packet.)

## dscp

**Syntax** **dscp** *dscp-name* [*dscp-name...*(up to 8 max)] [**fc** *fc-name*] [**hsmda-counter-override** *counter-id*] [**profile** {**in** | **out**}]  
**no dscp** *dscp-name* [*dscp-name...*(up to 8 max)]

**Context** config>qos>sap-egress

**Description** This command defines IP Differentiated Services Code Point (DSCP) names that must be matched to perform the associated reclassification actions. The specified name must exist as a *dscp-name*. SR OS software provides names for the well-known code points. A list of up to 8 *dscp-names* can be entered on a single command. The lists of *dscp-names* within the configuration are managed by the system to ensure that each list does not exceed 8 names. Entering more than 8 *dscp-names* with the same parameters (fc, hsmda-counter-override, priority) will result in multiple lists being created. Conversely, multiple lists with the same parameters (fc, hsmda-counter-override, priority) are merged and the lists repacked to a maximum of 8 per list if *dscp-names* are removed or the parameters changed so the multiple lists use the same parameters. Also, if a subset of a list is entered with different parameters then a new list will be created for the subset. When the list is stored in the configuration, the *dscp-names* are sorted by their DSCP value in ascending numerical order, consequently the order in the configuration may not be exactly what the user entered.

If an egress packet on the SAP matches an IP DSCP value corresponding to a specified *dscp-name*, the forwarding class, profile or HSMDA egress queue accounting behavior may be overridden. By default, the forwarding class and profile of the packet is derived from ingress classification and profiling functions. The default behavior for HSMDA queue accounting is to use the counters associated with the queue to which the packet is mapped. Matching a DSCP based reclassification rule will override all IP precedence based reclassification rule actions.

The IP DSCP bits used to match against dscp reclassification rules come from the Type of Service (ToS) field within the IPv4 header or the Traffic Class field from the IPv6 header. If the packet does not have an IP header, dscp based matching is not performed.

## Service SAP QoS Policy Command Reference

The reclassification actions from a dscp reclassification rule may be overridden by an IP flow match event.

The **fc** keyword is optional. When specified, the egress classification rule will overwrite the forwarding class derived from ingress. The new forwarding class is used for egress remarking and queue mapping decisions. If an ip-criteria match occurs after the DSCP match, the new forwarding class may be overridden by the higher priority match actions. If the higher priority match actions do not specify a new fc, the fc from the dscp match will be used.

The **profile** keyword is optional. When specified, the egress classification rule will overwrite the profile of the packet derived from ingress. The new profile value is used for egress remarking and queue congestion behavior. If an ip-criteria match occurs after the DSCP match, the new profile may be overridden by the higher priority match actions. If the higher priority match actions do not specify a new profile, the profile from the DSCP match will be used.

The **hsmda-counter-override** keyword is optional. When specified, and the egress SAP is created on an HSM DA, the egress classification rule will override the default queue accounting function for the packet. By default, the HSM DA uses each queue's default queue counters for packets mapped to the queue. The hsmda-counter-override keyword is used to map the packet to an explicit exception counter. One of eight counters may be used. When the packet is mapped to an exception counter, the packet will not increment the queue's discard or forwarding counters, instead the exception discard and forwarding counters will be used.

The DSCP-based counter override decision may be overwritten by an ip-criteria reclassification rule match if the higher priority classification rule has an hsmda-counter-override action defined.

The **no** form of the command removes the specified *dscp-names* from the reclassification rule in the SAP egress QoS policy. As *dscp-names* are removed, the system repacks the lists of *dscp-names* with the same parameters (up to 8 per list). As the **no** command does not have any additional parameters, it is possible to remove multiple *dscp-names* from multiple DSCP statements having different parameters with one command. If a *dscp-name* specified in a **no** command does not exist in any DSCP statement then the command is aborted at that point with an error message displayed. Any *dscp-names* in the list before the failed entry will be processed as normal but the processing will stop at the failed entry so that the remainder of the list is not processed.

### Parameters

*dscp-name*: — The *dscp-name* parameter is required when defining a DSCP reclassification rule. The specified name must exist as a dscp-name. A maximum of 8 dscp-names can be specified in a single statement. SR OS software provides names for the well-known code points, these can be shown using the command below:

```
A:PE# show qos dscp-table
=====
DSCP Mapping
=====
DSCP Name DSCP Value TOS (bin) TOS (hex)

be 0 0000 0000 00
cp1 1 0000 0100 04
cp2 2 0000 1000 08
cp3 3 0000 1100 0C
cp4 4 0001 0000 10
cp5 5 0001 0100 14
cp6 6 0001 1000 18
```



## Service Egress and Ingress QoS Policies

|      |    |      |      |    |
|------|----|------|------|----|
| cp7  | 7  | 0001 | 1100 | 1C |
| cs1  | 8  | 0010 | 0000 | 20 |
| cp9  | 9  | 0010 | 0100 | 24 |
| af11 | 10 | 0010 | 1000 | 28 |
| cp11 | 11 | 0010 | 1100 | 2C |
| af12 | 12 | 0011 | 0000 | 30 |
| cp13 | 13 | 0011 | 0100 | 34 |
| af13 | 14 | 0011 | 1000 | 38 |
| cp15 | 15 | 0011 | 1100 | 3C |
| cs2  | 16 | 0100 | 0000 | 40 |
| cp17 | 17 | 0100 | 0100 | 44 |
| af21 | 18 | 0100 | 1000 | 48 |
| cp19 | 19 | 0100 | 1100 | 4C |
| af22 | 20 | 0101 | 0000 | 50 |
| cp21 | 21 | 0101 | 0100 | 54 |
| af23 | 22 | 0101 | 1000 | 58 |
| cp23 | 23 | 0101 | 1100 | 5C |
| cs3  | 24 | 0110 | 0000 | 60 |
| cp25 | 25 | 0110 | 0100 | 64 |
| af31 | 26 | 0110 | 1000 | 68 |
| cp27 | 27 | 0110 | 1100 | 6C |
| af32 | 28 | 0111 | 0000 | 70 |
| cp29 | 29 | 0111 | 0100 | 74 |
| af33 | 30 | 0111 | 1000 | 78 |
| cp31 | 31 | 0111 | 1100 | 7C |
| cs4  | 32 | 1000 | 0000 | 80 |
| cp33 | 33 | 1000 | 0100 | 84 |
| af41 | 34 | 1000 | 1000 | 88 |
| cp35 | 35 | 1000 | 1100 | 8C |
| af42 | 36 | 1001 | 0000 | 90 |
| cp37 | 37 | 1001 | 0100 | 94 |
| af43 | 38 | 1001 | 1000 | 98 |
| cp39 | 39 | 1001 | 1100 | 9C |
| cs5  | 40 | 1010 | 0000 | A0 |
| cp41 | 41 | 1010 | 0100 | A4 |
| cp42 | 42 | 1010 | 1000 | A8 |
| cp43 | 43 | 1010 | 1100 | AC |
| cp44 | 44 | 1011 | 0000 | B0 |
| cp45 | 45 | 1011 | 0100 | B4 |
| ef   | 46 | 1011 | 1000 | B8 |
| cp47 | 47 | 1011 | 1100 | BC |
| nc1  | 48 | 1100 | 0000 | C0 |
| cp49 | 49 | 1100 | 0100 | C4 |
| cp50 | 50 | 1100 | 1000 | C8 |
| cp51 | 51 | 1100 | 1100 | CC |
| cp52 | 52 | 1101 | 0000 | D0 |
| cp53 | 53 | 1101 | 0100 | D4 |
| cp54 | 54 | 1101 | 1000 | D8 |
| cp55 | 55 | 1101 | 1100 | DC |
| nc2  | 56 | 1110 | 0000 | E0 |
| cp57 | 57 | 1110 | 0100 | E4 |
| cp58 | 58 | 1110 | 1000 | E8 |
| cp59 | 59 | 1110 | 1100 | EC |
| cp60 | 60 | 1111 | 0000 | F0 |
| cp61 | 61 | 1111 | 0100 | F4 |
| cp62 | 62 | 1111 | 1000 | F8 |
| cp63 | 63 | 1111 | 1100 | FC |

=====

## Service SAP QoS Policy Command Reference

**fc** *fc-name*: — The **fc** reclassification action is optional. When specified, packets matching the IP DSCP value corresponding to a specified *dscp-name* will be explicitly reclassified to the forwarding class specified as *fc-name* regardless of the ingress classification decision. The explicit forwarding class reclassification may be overwritten by an ip-criteria reclassification match. The **fc** name defined must be one of the eight forwarding classes supported by the system. To remove the forwarding class reclassification action for the specified DSCP value, the **dscp** command must be re-executed without the **fc** reclassification action defined.

**Values** be, 11, af, 12, h1, ef, h2 or nc

**profile** {**in** | **out**} — The profile reclassification action is optional. When specified, packets matching the IP DSCP value corresponding to a specified *dscp-name* will be explicitly reclassified to either in-profile or out-of-profile regardless of the ingress profiling decision. The explicit profile reclassification may be overwritten by an ip-criteria reclassification match. To remove the profile reclassification action for the specified *dscp-name*, the **dscp** command must be re-executed without the profile reclassification action defined.

**in** — The **in** parameter is mutually exclusive to the out parameter following the profile reclassification action keyword. Either in or out must be specified when the profile keyword is present. When in is specified, any packets matching the reclassification rule will be treated as in-profile by the egress forwarding plane. This value may be overwritten by an explicit profile action in an ip-criteria reclassification match.

**out** — The **out** parameter is mutually exclusive to the in parameter following the profile reclassification action keyword. Either in or out must be specified when the profile keyword is present. When out is specified, any packets matching the reclassification rule will be treated as out-of-profile by the egress forwarding plane. This value may be overwritten by an explicit profile action in an ip-criteria reclassification match.

**hsmda-counter-override** *counter-id* — The **hsmda-counter-override** reclassification action is optional and only has significance on SAPs which are created on an HSMDA. When specified, packets matching the IP precedence value will be mapped to the defined HSMDA exception counter-id for the packets queue group. The default behavior is to use the default counter on the queue group for the queue to which the packet is mapped. The **hsmda-counter-override** action may be overwritten by an ip-criteria reclassification rule match. The specified counter-id must be specified as an integer between 1 and 8. To remove the ESMDA exception counter reclassification action for the specified DSCP value, the **dscp** command must be re-executed without the **hsmda-counter-override** reclassification action defined. This parameter applies only to the 7740 ESS and 7750 SR.

**Values** 1 to 8

### dynamic-policer

|                |                                                 |
|----------------|-------------------------------------------------|
| <b>Syntax</b>  | <b>dynamic-policer</b>                          |
| <b>Context</b> | config>qos>sap-egress<br>config>qos>sap-ingress |

**Description** This command enables the context in which common properties for dynamic-policers can be configured. Dynamic policers are instantiated and terminated on demand due to an action request submitted by the policy server (for example via Gx interface). The actions types behind dynamic policers are typically related to rate-limiting or volume monitoring. The dynamic-policers can be instantiated on demand at any time during the lifetime of the sla-profile instance.

**Default** none

## range

**Syntax** **range start-entry** *policer-id* **count** *count*  
**no range**

**Context** config>qos>sap-egress  
config>qos>sap-ingress

**Description** This command defines the range of ids for dynamic policers that are created via Gx interface. The no version of the command disables creation of dynamic policers via Gx interface, resulting in a Gx rule instantiation failure.

The **no** for of the command reverts to the default.

**Default** no range

**Parameters** **start-entry** *policer-id* — Specifies the lowest entry in the range.

**Values** 1 to 63

**count** *count* — Specifies the number of entries in the range.

**Values** 1 to 63

## ethernet-ctag

**Syntax** [**no**] **ethernet-ctag**

**Context** config>qos>sap-egress

**Description** This command specifies that the top customer tag should be used for egress reclassification based on dot1p criteria. This command applies to all dot1p criteria configured in a given SAP egress QoS policy.

The no form of this command means that a service delimiting tag will be used for egress reclassification based on dot1p criteria.

**Default** no ethernet-ctag

## Service SAP QoS Policy Command Reference

### ip-criteria

|                    |                                                                                                                                                                                                                                                                                                                                                                                                                                                                                                                                                                                                                                                                                                                                                                                                  |
|--------------------|--------------------------------------------------------------------------------------------------------------------------------------------------------------------------------------------------------------------------------------------------------------------------------------------------------------------------------------------------------------------------------------------------------------------------------------------------------------------------------------------------------------------------------------------------------------------------------------------------------------------------------------------------------------------------------------------------------------------------------------------------------------------------------------------------|
| <b>Syntax</b>      | <b>[no] ip-criteria</b>                                                                                                                                                                                                                                                                                                                                                                                                                                                                                                                                                                                                                                                                                                                                                                          |
| <b>Context</b>     | config>qos>sap-ingress                                                                                                                                                                                                                                                                                                                                                                                                                                                                                                                                                                                                                                                                                                                                                                           |
| <b>Description</b> | <p>IP criteria-based SAP ingress policies are used to select the appropriate ingress queue and corresponding forwarding class for matched traffic.</p> <p>This command is used to enter the context to create or edit policy entries that specify IP criteria such as IP quintuple lookup or DiffServ code point.</p> <p>The software implementation will exit on the first match found and execute the actions in accordance with the accompanying action command. For this reason entries must be sequenced correctly from most to least explicit.</p> <p>The <b>no</b> form of this command deletes all the entries specified under this node. Once IP criteria entries are removed from a SAP ingress policy, the IP criteria is removed from all services where that policy is applied.</p> |

### ip-criteria

|                    |                                                                                                                                                                                                                                                                                                                                                                                                                                                                                                                                                                                                                                                                                                                                                                                                 |
|--------------------|-------------------------------------------------------------------------------------------------------------------------------------------------------------------------------------------------------------------------------------------------------------------------------------------------------------------------------------------------------------------------------------------------------------------------------------------------------------------------------------------------------------------------------------------------------------------------------------------------------------------------------------------------------------------------------------------------------------------------------------------------------------------------------------------------|
| <b>Syntax</b>      | <b>[no] ip-criteria</b>                                                                                                                                                                                                                                                                                                                                                                                                                                                                                                                                                                                                                                                                                                                                                                         |
| <b>Context</b>     | config>qos>sap-egress                                                                                                                                                                                                                                                                                                                                                                                                                                                                                                                                                                                                                                                                                                                                                                           |
| <b>Description</b> | <p>IP criteria-based SAP egress policies are used to select the appropriate ingress queue and corresponding forwarding class for matched traffic.</p> <p>This command is used to enter the context to create or edit policy entries that specify IP criteria such as IP quintuple lookup or DiffServ code point.</p> <p>The software implementation will exit on the first match found and execute the actions in accordance with the accompanying action command. For this reason entries must be sequenced correctly from most to least explicit.</p> <p>The <b>no</b> form of this command deletes all the entries specified under this node. Once IP criteria entries are removed from a SAP ingress policy, the IP criteria is removed from all services where that policy is applied.</p> |

### ipv6-criteria

|                    |                                                                                                                                                                 |
|--------------------|-----------------------------------------------------------------------------------------------------------------------------------------------------------------|
| <b>Syntax</b>      | <b>[no] ipv6-criteria</b>                                                                                                                                       |
| <b>Context</b>     | config>qos>sap-egress<br>config>qos>sap-ingress                                                                                                                 |
| <b>Description</b> | <p>IPv6 criteria-based SAP egress/ingress policies are used to select the appropriate ingress queue and corresponding forwarding class for matched traffic.</p> |

This command is used to enter the node to create or edit policy entries that specify IPv6 criteria such as IP quintuple lookup or DiffServ code point.

The OS implementation will exit on the first match found and execute the actions in accordance with the accompanying action command. For this reason entries must be sequenced correctly from most to least explicit.

This is supported on FP2- and higher-based line cards and requires mixed-mode for the 7450 ESS.

The **no** form of this command deletes all the entries specified under this node. Once ipv6-criteria entries are removed from a SAP ingress policy, the ipv6-criteria is removed from all services where that policy is applied.

### renum

|                    |                                                                                                                                                                                                                                                                                                                                                             |
|--------------------|-------------------------------------------------------------------------------------------------------------------------------------------------------------------------------------------------------------------------------------------------------------------------------------------------------------------------------------------------------------|
| <b>Syntax</b>      | <b>renum</b> <i>old-entry-number new-entry-number</i>                                                                                                                                                                                                                                                                                                       |
| <b>Context</b>     | config>qos>sap-ingress>ip-criteria<br>config>qos>sap-egress>ip-criteria<br>config>qos>sap-ingress>ipv6-criteria<br>config>qos>sap-egress>ipv6-criteria<br>config>qos>sap-ingress>mac-criteria<br>config>qos>network>ingress>ip-criteria<br>config>qos>network>ingress>ipv6-criteria                                                                         |
| <b>Description</b> | This command renumbers existing QoS policy criteria entries to properly sequence policy entries.<br><br>This can be required in some cases since the router exits when the first match is found and executes the actions in accordance with the accompanying action command. This requires that entries be sequenced correctly from most to least explicit. |
| <b>Parameters</b>  | <i>old-entry-number</i> — Enter the entry number of an existing entry.<br><br><b>Default</b> none<br><b>Values</b> 1 to 65535<br><br><i>new-entry-number</i> — Enter the new entry-number to be assigned to the old entry.<br><br><b>Default</b> none<br><b>Values</b> 1 to 65535                                                                           |

### type

|                |                                                                            |
|----------------|----------------------------------------------------------------------------|
| <b>Syntax</b>  | <b>type</b> <i>filter-type</i><br><b>no type</b>                           |
| <b>Context</b> | config>qos>sap-ingress>ip-criteria<br>config>qos>sap-ingress>ipv6-criteria |

## Service SAP QoS Policy Command Reference

|                    |                                                                                                                                                                                                                                                                                                                                                                                                                                                                                                                                                                                                                                                                                                                                                                                                                                                                                                                                                                                                                                                             |
|--------------------|-------------------------------------------------------------------------------------------------------------------------------------------------------------------------------------------------------------------------------------------------------------------------------------------------------------------------------------------------------------------------------------------------------------------------------------------------------------------------------------------------------------------------------------------------------------------------------------------------------------------------------------------------------------------------------------------------------------------------------------------------------------------------------------------------------------------------------------------------------------------------------------------------------------------------------------------------------------------------------------------------------------------------------------------------------------|
| <b>Description</b> | This command sets the <b>ip-criteria</b> and <b>ipv6-criteria</b> type to control the type of match entries configurable in this context.                                                                                                                                                                                                                                                                                                                                                                                                                                                                                                                                                                                                                                                                                                                                                                                                                                                                                                                   |
| <b>Default</b>     | normal                                                                                                                                                                                                                                                                                                                                                                                                                                                                                                                                                                                                                                                                                                                                                                                                                                                                                                                                                                                                                                                      |
| <b>Parameters</b>  | <i>filter-type</i> — Specifies which type of entries that the <b>ip-criteria</b> and <b>ipv6-criteria</b> statements can contain.<br><b>Values</b><br><b>normal</b> — Regular match criteria are allowed; VXLAN VNI matching is not allowed.<br><b>vlan-vni</b> — Matching is allowed on a VXLAN VNI for VXLAN and VXLAN GPE frames.<br>The type cannot be changed when <b>ip-criteria</b> or <b>ipv6-criteria</b> entries are configured. If there are no <b>ip-criteria</b> or <b>ipv6-criteria</b> entries configured, the type can be changed from <b>vlan-vni</b> to <b>normal</b> . The type can only be changed from <b>normal</b> to <b>vlan-vni</b> if there are no <b>ip-criteria</b> or <b>ipv6-criteria</b> entries configured and if the SAP ingress QoS policy has not been applied to any object<br>A SAP ingress QoS policy configured with <b>type vlan-vni</b> can be applied to any Ethernet SAPs, except for a PW-SAP, B-VPLS SAP, or CCAG SAP, in any applicable service. This feature is supported on FP2- and higher-based hardware. |

### type

|                    |                                                                                                                                                                                                                                                                                                                                   |
|--------------------|-----------------------------------------------------------------------------------------------------------------------------------------------------------------------------------------------------------------------------------------------------------------------------------------------------------------------------------|
| <b>Syntax</b>      | <b>type</b> <i>filter-type</i><br><b>no type</b>                                                                                                                                                                                                                                                                                  |
| <b>Context</b>     | config>qos>sap-ingress>mac-criteria                                                                                                                                                                                                                                                                                               |
| <b>Description</b> | This command sets the mac-criteria type.                                                                                                                                                                                                                                                                                          |
| <b>Default</b>     | normal                                                                                                                                                                                                                                                                                                                            |
| <b>Parameters</b>  | <i>filter-type</i> — Specifies which type of entries this MAC filter can contain.<br><b>Values</b><br><b>normal</b> — Regular match criteria are allowed; ISID match not allowed.<br><b>vid</b> — Configures the VID filter type used to match on ethernet_II frame types. This allows matching VLAN tags for explicit filtering. |

### lsp-exp

|               |                                                                                                                                                                                                                |
|---------------|----------------------------------------------------------------------------------------------------------------------------------------------------------------------------------------------------------------|
| <b>Syntax</b> | <b>lsp-exp</b> <i>lsp-exp-value</i> [ <b>fc</b> <i>fc-name</i> ] [ <b>priority</b> { <b>low</b>   <b>high</b> }] [ <b>hsmda-counter-override</b> <i>counter-id</i> ]<br><b>no lsp-exp</b> <i>lsp-exp-value</i> |
|---------------|----------------------------------------------------------------------------------------------------------------------------------------------------------------------------------------------------------------|

|                    |                                                                                                                                                                                                                                                                                                                                                                                                                                                                                                                                                                                                                                                                                                                                                                                                                                                                                                                                                                                                                                                                                                                                                                                                                                                                                                                                                                                                                                                                                                                                                                                                                                                                                                                                                                                              |
|--------------------|----------------------------------------------------------------------------------------------------------------------------------------------------------------------------------------------------------------------------------------------------------------------------------------------------------------------------------------------------------------------------------------------------------------------------------------------------------------------------------------------------------------------------------------------------------------------------------------------------------------------------------------------------------------------------------------------------------------------------------------------------------------------------------------------------------------------------------------------------------------------------------------------------------------------------------------------------------------------------------------------------------------------------------------------------------------------------------------------------------------------------------------------------------------------------------------------------------------------------------------------------------------------------------------------------------------------------------------------------------------------------------------------------------------------------------------------------------------------------------------------------------------------------------------------------------------------------------------------------------------------------------------------------------------------------------------------------------------------------------------------------------------------------------------------|
| <b>Context</b>     | config>qos>sap-ingress                                                                                                                                                                                                                                                                                                                                                                                                                                                                                                                                                                                                                                                                                                                                                                                                                                                                                                                                                                                                                                                                                                                                                                                                                                                                                                                                                                                                                                                                                                                                                                                                                                                                                                                                                                       |
| <b>Description</b> | <p>This command explicitly sets the forwarding class or sub-class enqueueing priority when a packet is marked with a MPLS EXP bits specified. Adding a <code>lsp-exp</code> rule on the policy forces packets that match the MPLS LSP EXP specified to override the forwarding class and enqueueing priority based on the parameters included in the <code>lsp-exp</code> rule. When the forwarding class is not specified in the rule, a matching packet preserves (or inherits) the existing forwarding class derived from earlier matches in the classification hierarchy. When the enqueueing priority is not specified in the rule, a matching packet preserves (or inherits) the existing enqueueing priority derived from earlier matches in the classification hierarchy.</p> <p>The <i>lsp-exp-value</i> is derived from the MPLS LSP EXP bits of the top label.</p> <p>Multiple commands can be entered to define the association of some or all eight LSP EX bit values to the forwarding class.</p> <p>The <b>no</b> form of this command removes the explicit <code>lsp-exp</code> classification rule from the SAP ingress policy. Removing the rule on the policy immediately removes the rule on all ingress SAPs using the policy.</p> <p>This command applies to Ethernet Layer 2 SAPs only.</p>                                                                                                                                                                                                                                                                                                                                                                                                                                                                           |
| <b>Default</b>     | none                                                                                                                                                                                                                                                                                                                                                                                                                                                                                                                                                                                                                                                                                                                                                                                                                                                                                                                                                                                                                                                                                                                                                                                                                                                                                                                                                                                                                                                                                                                                                                                                                                                                                                                                                                                         |
| <b>Parameters</b>  | <p><i>lsp-exp-value</i> — This value is a required parameter that specifies the unique MPLS LSP EXP value that will match the <code>lsp-exp</code> rule. If the command is executed multiple times with the same <code>lsp-exp-value</code>, the previous forwarding class and enqueueing priority is completely overridden by the new parameters or defined to be inherited when a forwarding class or enqueueing priority parameter is missing.</p> <p>A maximum of eight <code>lsp-exp</code> rules are allowed on a single policy.</p> <p><b>Values</b>      0 to 7</p> <p><b>fc</b> <i>fc-name</i> — The value given for the <code>fc-name</code> parameter must be one of the predefined forwarding classes in the system. Specifying the <code>fc-name</code> is optional. When a packet matches the rule the forwarding class is only overridden when the <code>fc</code> <code>fc-name</code> parameter is defined on the rule. If the packet matches and the forwarding class is not explicitly defined in the rule, the forwarding class is inherited based on previous rule matches.</p> <p>The <code>sub-class-name</code> parameter is optional and used with the <code>fc-name</code> parameter to define a preexisting sub-class. The <code>fc-name</code> and <code>sub-class-name</code> parameters must be separated by a period (dot). If <code>sub-class-name</code> does not exist in the context of <code>fc -name</code>, an error will occur.</p> <p><b>Values</b></p> <p style="margin-left: 40px;">fc:            class[.sub-class]</p> <p style="margin-left: 100px;">class: be, l2, af, l1, h2, ef, h1, nc</p> <p style="margin-left: 100px;">sub-class: 29 characters max</p> <p><b>Default</b>      None (Each sub-class-name must be explicitly defined)</p> |

## Service SAP QoS Policy Command Reference

**priority** — The priority parameter is used to override the default enqueueing priority for all packets received on an ingress SAP using this policy that match this rule. Specifying the priority is optional. When a packet matches the rule, the enqueueing priority is only overridden when the priority parameter is defined on the rule. If the packet matches and priority is not explicitly defined in the rule, the enqueueing priority is inherited based on previous rule matches.

**high** — The high parameter is used in conjunction with the priority parameter. Setting the enqueueing parameter to high for a packet increases the likelihood of enqueueing the packet when the ingress queue is congested. Ingress enqueueing priority only affects ingress SAP queuing, once the packet is placed in a buffer on the ingress queue, the significance of the enqueueing priority is lost.

**low** — The low parameter is used in conjunction with the priority parameter. Setting the enqueueing parameter to low for a packet decreases the likelihood of enqueueing the packet when the ingress queue is congested. Ingress enqueueing priority only affects ingress SAP queuing, once the packet is placed in a buffer on the ingress queue, the significance of the enqueueing priority is lost.

**Default** No override.

**hsmda-counter-override** *counter-id* — The hsmda-counter-override reclassification action is optional and only has significance on SAPs which are created on an HSMDA. When specified, packets matching the MPLS EXP value will be mapped to the defined HSMDA exception counter-id for the packets queue group. The default behavior is to use the default counter on the queue group for the queue to which the packet is mapped. The specified counter-id must be specified as an integer between 1 and 8. To remove the HSMDA exception counter reclassification action for the specified lsp-exp-value, the lsp-exp command must be re-executed without the hsmda-counter-override reclassification action defined. This parameter only applies to the 7450 ESS and 7750 SR.

**Values** 1 to 8

## mac-criteria

|                    |                                                                                                                                                             |
|--------------------|-------------------------------------------------------------------------------------------------------------------------------------------------------------|
| <b>Syntax</b>      | <b>[no] mac-criteria</b>                                                                                                                                    |
| <b>Context</b>     | config>qos>sap-ingress                                                                                                                                      |
| <b>Description</b> | The <b>mac-criteria</b> based SAP ingress policies are used to select the appropriate ingress queue and corresponding forwarding class for matched traffic. |

This command is used to enter the node to create or edit policy entries that specify MAC criteria.

Router implementation will exit on the first match found and execute the actions in accordance with the accompanying action command. For this reason entries must be sequenced correctly from most to least explicit.

The **no** form of this command deletes all the entries specified under this node. Once mac-criteria entries are removed from a SAP ingress policy, the mac-criteria is removed from all services where that policy is applied.



## policer

|                    |                                                                                                                                                                                                                                                                                                                                                                                                                                                                                                                                                                                                                                                                                                                                                                                                                                                                                                                                                                                                                                                                                                                                                                                                                                                                                                                                                                                                                                                                                                                                                                                                                                                                                                                                                                                                                                                                                                                                                                                                                                                                                                                                                                                                                                                                                                                                                                                                                                                                                                                                                                                                                                                                                                |
|--------------------|------------------------------------------------------------------------------------------------------------------------------------------------------------------------------------------------------------------------------------------------------------------------------------------------------------------------------------------------------------------------------------------------------------------------------------------------------------------------------------------------------------------------------------------------------------------------------------------------------------------------------------------------------------------------------------------------------------------------------------------------------------------------------------------------------------------------------------------------------------------------------------------------------------------------------------------------------------------------------------------------------------------------------------------------------------------------------------------------------------------------------------------------------------------------------------------------------------------------------------------------------------------------------------------------------------------------------------------------------------------------------------------------------------------------------------------------------------------------------------------------------------------------------------------------------------------------------------------------------------------------------------------------------------------------------------------------------------------------------------------------------------------------------------------------------------------------------------------------------------------------------------------------------------------------------------------------------------------------------------------------------------------------------------------------------------------------------------------------------------------------------------------------------------------------------------------------------------------------------------------------------------------------------------------------------------------------------------------------------------------------------------------------------------------------------------------------------------------------------------------------------------------------------------------------------------------------------------------------------------------------------------------------------------------------------------------------|
| <b>Syntax</b>      | <b>policer</b> <i>policer-id</i> [ <b>create</b> ]<br><b>no policer</b> <i>policer-id</i>                                                                                                                                                                                                                                                                                                                                                                                                                                                                                                                                                                                                                                                                                                                                                                                                                                                                                                                                                                                                                                                                                                                                                                                                                                                                                                                                                                                                                                                                                                                                                                                                                                                                                                                                                                                                                                                                                                                                                                                                                                                                                                                                                                                                                                                                                                                                                                                                                                                                                                                                                                                                      |
| <b>Context</b>     | config>qos>sap-ingress                                                                                                                                                                                                                                                                                                                                                                                                                                                                                                                                                                                                                                                                                                                                                                                                                                                                                                                                                                                                                                                                                                                                                                                                                                                                                                                                                                                                                                                                                                                                                                                                                                                                                                                                                                                                                                                                                                                                                                                                                                                                                                                                                                                                                                                                                                                                                                                                                                                                                                                                                                                                                                                                         |
| <b>Description</b> | <p>This command is used in the sap-ingress and sap-egress QoS policies to create, modify or delete a policer. Policers are created and used in a similar manner to queues. The policer ID space is separate from the queue ID space, allowing both a queue and a policer to share the same ID. The sap-ingress policy may have up to 63 policers (numbered 1 through 63) may be defined while the sap-egress QoS policy supports a maximum of 8 (numbered 1 through 8). While a policer may be defined within a QoS policy, it is not actually created on SAPs or subscribers or multi-service site associated with the policy until a forwarding class is mapped to the policer's ID.</p> <p>All policers must be created within the QoS policies. A default policer is not created when a sap-ingress or sap-egress QoS policy is created.</p> <p>Once a policer is created, the policer's metering rate and profiling rates may be defined as well as the policer's maximum and committed burst sizes (MBS and CBS respectively). Unlike queues which have dedicated counters, policers allow various stat-mode settings that define the counters that will be associated with the policer. Another supported feature—packet-byte-offset—provides a policer with the ability to modify the size of each packet based on a defined number of bytes.</p> <p>Once a policer is created, it cannot be deleted from the QoS policy unless any forwarding classes that are mapped to the policer are first moved to other policers or queues.</p> <p>The system will allow a policer to be created on a SAP QoS policy regardless of the ability to support policers on objects where the policy is currently applied. The system only scans the current objects for policer support and sufficient resources to create the policer when a forwarding class is first mapped to the policer ID. If the policer cannot be created due to one or more instances of the policy not supporting policing or having insufficient resources to create the policer, the forwarding class mapping will fail.</p> <p>The <b>no</b> form of this command is used to delete a policer from a sap-ingress or sap-egress QoS policy. The specified policer cannot currently have any forwarding class mappings for the removal of the policer to succeed. It is not necessary to actually delete the policer ID for the policer instances to be removed from SAPs or subscriber or multi-service site associated with the QoS policy once all forwarding classes have been moved away from the policer. It is automatically deleted from each policing instance although it still appears in the QoS policy.</p> |
| <b>Parameters</b>  | <p><i>policer-id</i> — The <i>policer-id</i> must be specified when executing the policer command. If the specified ID already exists, the system enters that policer's context to allow the policer's parameters to be modified. If the ID does not exist and is within the allowed range for the QoS policy type, a context for the policer ID will be created (depending on the system's current create keyword requirements which may require the create keyword to actually add the new policer ID to the QoS policy) and the system will enter that new policer's context for possible parameter modification.</p> <p><b>Values</b>      1 to 63</p>                                                                                                                                                                                                                                                                                                                                                                                                                                                                                                                                                                                                                                                                                                                                                                                                                                                                                                                                                                                                                                                                                                                                                                                                                                                                                                                                                                                                                                                                                                                                                                                                                                                                                                                                                                                                                                                                                                                                                                                                                                     |

## Service SAP QoS Policy Command Reference

### description

|                    |                                                                                                                                                                                                                                                                                                                                                                                                                                                                                                                                                                                                                                                                                                                                        |
|--------------------|----------------------------------------------------------------------------------------------------------------------------------------------------------------------------------------------------------------------------------------------------------------------------------------------------------------------------------------------------------------------------------------------------------------------------------------------------------------------------------------------------------------------------------------------------------------------------------------------------------------------------------------------------------------------------------------------------------------------------------------|
| <b>Syntax</b>      | <b>description</b> <i>description-string</i><br><b>no description</b>                                                                                                                                                                                                                                                                                                                                                                                                                                                                                                                                                                                                                                                                  |
| <b>Context</b>     | config>qos>sap-ingress>policer                                                                                                                                                                                                                                                                                                                                                                                                                                                                                                                                                                                                                                                                                                         |
| <b>Description</b> | The <b>description</b> command is used to define an informational ASCII string associated with the policer control policy. The string value can be defined or changed at any time once the policy exists.<br><br>The <b>no</b> form of this command is used to remove an explicit description string from the policer.                                                                                                                                                                                                                                                                                                                                                                                                                 |
| <b>Default</b>     | <b>no description</b>                                                                                                                                                                                                                                                                                                                                                                                                                                                                                                                                                                                                                                                                                                                  |
| <b>Parameters</b>  | <i>description-string</i> — The <i>description-string</i> parameter defines the ASCII description string for the policer control policy. The description string can be up to 80 characters. If the string contains spaces, it must be placed within beginning and ending double quotation marks. Beginning and ending quotation marks are not considered part of the description string. Only printable ASCII characters are allowed in the string. The sting does not need to be unique and may be repeated in the descriptions for other policer control policies or other objects. If the command is executed without the description-sting present, any existing description string will be unaffected.<br><br><b>Default</b> None |

### adv-config-policy

|                    |                                                                                                                                                                                                                                                                                                                                                                                                                                                                                                                                                                                                                                                                                                      |
|--------------------|------------------------------------------------------------------------------------------------------------------------------------------------------------------------------------------------------------------------------------------------------------------------------------------------------------------------------------------------------------------------------------------------------------------------------------------------------------------------------------------------------------------------------------------------------------------------------------------------------------------------------------------------------------------------------------------------------|
| <b>Syntax</b>      | <b>[no] adv-config-policy</b> <i>policy-name</i>                                                                                                                                                                                                                                                                                                                                                                                                                                                                                                                                                                                                                                                     |
| <b>Context</b>     | config>qos>sap-ingress>policer<br>config>qos>sap-egress>policer                                                                                                                                                                                                                                                                                                                                                                                                                                                                                                                                                                                                                                      |
| <b>Description</b> | This command specifies the advanced QoS policy. The advanced QoS policy contains only queue and policer child control parameters within a child-control node.<br><br>Once a policy is created, it may be applied to a queue or policer defined within a <b>sap-egress</b> or <b>sap-ingress</b> QoS policy. It may also be applied to a queue or policer defined within an <b>ingress</b> or <b>egress queue-group</b> template. When a policy is currently associated with a QoS policy or template, the policy may be modified but not deleted (even in the event that the QoS policy or template is not in use).<br><br>The <b>no</b> form of this command removes the specified advanced policy. |
| <b>Default</b>     | None                                                                                                                                                                                                                                                                                                                                                                                                                                                                                                                                                                                                                                                                                                 |
| <b>Parameters</b>  | <i>policy-name</i> — The name of the advanced QoS policy.<br><br><b>Values</b> Valid names consist of any string up to 63 characters long composed of printable, 7-bit ASCII characters. If the string contains special characters (#, \$, spaces, etc.), the entire string must be enclosed within double quotes.                                                                                                                                                                                                                                                                                                                                                                                   |

## adaptation-rule

|                    |                                                                                                                                                                                                                                                                                                                                                                                                                                                                                                                                                                                                                                                                                                                                                                                                                                                                                                                                                                                                                                                                                                                                                                                                                                                                                                                                                                                                                                                                                                                                                                                                                                                                                                                                                            |
|--------------------|------------------------------------------------------------------------------------------------------------------------------------------------------------------------------------------------------------------------------------------------------------------------------------------------------------------------------------------------------------------------------------------------------------------------------------------------------------------------------------------------------------------------------------------------------------------------------------------------------------------------------------------------------------------------------------------------------------------------------------------------------------------------------------------------------------------------------------------------------------------------------------------------------------------------------------------------------------------------------------------------------------------------------------------------------------------------------------------------------------------------------------------------------------------------------------------------------------------------------------------------------------------------------------------------------------------------------------------------------------------------------------------------------------------------------------------------------------------------------------------------------------------------------------------------------------------------------------------------------------------------------------------------------------------------------------------------------------------------------------------------------------|
| <b>Syntax</b>      | <b>adaptation-rule</b> [ <b>pir</b> { <b>max</b>   <b>min</b>   <b>closest</b> }] [ <b>cir</b> { <b>max</b>   <b>min</b>   <b>closest</b> }]<br><b>no adaptation-rule</b>                                                                                                                                                                                                                                                                                                                                                                                                                                                                                                                                                                                                                                                                                                                                                                                                                                                                                                                                                                                                                                                                                                                                                                                                                                                                                                                                                                                                                                                                                                                                                                                  |
| <b>Context</b>     | config>qos>sap-ingress>policer                                                                                                                                                                                                                                                                                                                                                                                                                                                                                                                                                                                                                                                                                                                                                                                                                                                                                                                                                                                                                                                                                                                                                                                                                                                                                                                                                                                                                                                                                                                                                                                                                                                                                                                             |
| <b>Description</b> | <p>This command is used to define how the policer's configuration parameters are translated into the underlying hardware capabilities used to implement each policer instance. For instance, the configured rates for the policer need to be mapped to the timers and decrement granularity used by the hardware's leaky bucket functions that actually perform the traffic metering. If a rate is defined that cannot be exactly matched by the hardware, the adaptation-rule setting provides guidance for which hardware rate should be used.</p> <p>The <b>max</b> keyword tells the system that the defined rate is the maximum rate that should be given to the policer. If the hardware cannot exactly match the given rate, the next lowest hardware supported rate is used.</p> <p>The <b>min</b> keyword tells the system that the defined rate is the minimum rate that should be given to the policer. If the hardware cannot exactly match the given rate, the next highest hardware supported rate is used.</p> <p>The <b>closest</b> keyword tells the system that the defined rate is the target rate for the policer. If the hardware cannot exactly match the given rate, the system will use the closest hardware supported rate compared to the target rate.</p> <p>The hardware also needs to adapt the given mbs and cbs values into the PIR bucket violate threshold (discard) and the CIR bucket exceed threshold (out-of-profile). The hardware may not have an exact threshold match which it can use. In R8.0, the system treats the mbs and cbs values as minimum threshold values.</p> <p>The <b>no</b> form of this command is used to return the policer's metering and profiling hardware adaptation rules to closest.</p> |
| <b>Parameters</b>  | <p><b>pir</b> {<b>max</b>   <b>min</b>   <b>closest</b>} — When the optional <b>pir</b> parameter is specified, the <b>max</b>, <b>min</b> or <b>closest</b> keyword qualifier must follow.</p> <p><b>max</b> — The <b>max</b> keyword is used to inform the system that the metering rate defined for the policer is the maximum allowed rate. The system will choose a hardware supported rate that is closest but not exceeding the specified rate.</p> <p><b>min</b> — The <b>min</b> keyword is used to inform the system that the metering rate defined for the policer is the minimum allowed rate. The system will choose a hardware supported rate that is closest but not lower than the specified rate.</p> <p><b>closest</b> — The <b>closest</b> keyword is used to inform the system that the metering rate defined for the policer is the target rate. The system will choose a hardware supported rate that is closest to the specified rate.</p> <p><b>Default</b>      closest</p> <p><b>cir</b> {<b>max</b>   <b>min</b>   <b>closest</b>} — When the optional <b>cir</b> parameter is specified, the <b>max</b>, <b>min</b> or <b>closest</b> keyword qualifier must follow.</p>                                                                                                                                                                                                                                                                                                                                                                                                                                                                                                                                                       |

## Service SAP QoS Policy Command Reference

**max** — The **max** keyword is used to inform the system that the profiling rate defined for the policer is the maximum allowed rate. The system will choose a hardware supported rate that is closest but not exceeding the specified rate.

**min** — The **min** keyword is used to inform the system that the profiling rate defined for the policer is the minimum allowed rate. The system will choose a hardware supported rate that is closest but not lower than the specified rate.

**closest** — The **closest** keyword is used to inform the system that the profiling rate defined for the policer is the target rate. The system will choose a hardware supported rate that is closest to the specified rate.

**Default**      **closest**

### cbs

|                    |                                                                                                                                                                                                                                                                                                                                                                                                                                                                                                                                                                                                                                                                                                                                                                                    |
|--------------------|------------------------------------------------------------------------------------------------------------------------------------------------------------------------------------------------------------------------------------------------------------------------------------------------------------------------------------------------------------------------------------------------------------------------------------------------------------------------------------------------------------------------------------------------------------------------------------------------------------------------------------------------------------------------------------------------------------------------------------------------------------------------------------|
| <b>Syntax</b>      | <b>cbs</b> { <i>size</i> [ <b>bytes</b>   <b>kilobytes</b> ]   <b>default</b> }<br><b>no cbs</b>                                                                                                                                                                                                                                                                                                                                                                                                                                                                                                                                                                                                                                                                                   |
| <b>Context</b>     | config>qos>sap-ingress>policer<br>config>qos>qgrps>egr>qgrp>policer                                                                                                                                                                                                                                                                                                                                                                                                                                                                                                                                                                                                                                                                                                                |
| <b>Description</b> | <p>This command is used to configure the policer's CIR leaky bucket's exceed threshold. The CIR bucket's exceed threshold represents the committed burst tolerance allowed by the policer. If the policer's forwarding rate is equal to or less than the policer's defined CIR, the CIR bucket depth hovers around the 0 depth with spikes up to the maximum packet size in the offered load. If the forwarding rate increases beyond the profiling rate, the amount of data allowed to be in-profile above the rate is capped by the threshold.</p> <p>The policer's <b>cbs</b> size defined in the QoS policy may be overridden on an <b>sla-profile</b> or SAP where the policy is applied.</p> <p>The no form of this command returns the policer to its default CBS size.</p> |
| <b>Default</b>     | 64 kilobytes when CIR = <b>max</b> , otherwise 10ms volume of traffic for a configured non zero/non max CIR.                                                                                                                                                                                                                                                                                                                                                                                                                                                                                                                                                                                                                                                                       |
| <b>Parameters</b>  | <p><i>size</i> [<b>bytes</b>   <b>kilobytes</b>] — The <i>size</i> parameter is required when specifying <b>cbs</b> and is expressed as an integer representing the required size in either bytes or kilobytes. The default is kilobytes. The optional <b>byte</b> and <b>kilobyte</b> keywords are mutually exclusive and are used to explicitly define whether size represents bytes or kilobytes.</p> <p><b>bytes</b> — When <b>byte</b> is defined, the value given for size is interpreted as the queue's MBS value given in bytes.</p> <p><b>kilobytes</b> — When <b>kilobytes</b> is defined, the value is interpreted as the queue's MBS value given in kilobytes.</p> <p><b>Values</b>      0 – 16777216 or <b>default</b></p> <p><b>Default</b>      <b>kilobyte</b></p> |

## high-prio-only

|                    |                                                                                                                                                                                                                                                                                                                                                                                                                                                                                            |
|--------------------|--------------------------------------------------------------------------------------------------------------------------------------------------------------------------------------------------------------------------------------------------------------------------------------------------------------------------------------------------------------------------------------------------------------------------------------------------------------------------------------------|
| <b>Syntax</b>      | <b>high-prio-only</b> <i>percent-of-mbs</i><br><b>no high-prio-only</b>                                                                                                                                                                                                                                                                                                                                                                                                                    |
| <b>Context</b>     | config>qos>sap-ingress>policer                                                                                                                                                                                                                                                                                                                                                                                                                                                             |
| <b>Description</b> | This command is used to configure the percentage of the policer's PIR leaky bucket's MBS (maximum burst size) that is reserved for high priority traffic. While the <b>mbs</b> value defines the policer's high priority violate threshold, the percentage value defined is applied to the <b>mbs</b> value to derive the bucket's low priority violate threshold. See the <b>mbs</b> command details for information on which types of traffic is associated with each violate threshold. |
| <b>Parameters</b>  | <i>percent-of-mbs</i> — The <i>percent-of-mbs</i> parameter is required when specifying <b>high-prio-only</b> and is expressed as a percentage.                                                                                                                                                                                                                                                                                                                                            |
|                    | <b>Values</b> 0 to 100                                                                                                                                                                                                                                                                                                                                                                                                                                                                     |
|                    | <b>Default</b> 10                                                                                                                                                                                                                                                                                                                                                                                                                                                                          |

## mbs

|                    |                                                                                                                                                                                                                                                                                                                                                                                                                                                                                                                                                                                                                                                                                                                                                                                                                                                                                                                                                                                                                                                                                                                                                                                                                                                                                                                                                                                                                                                                                                                                                                                                                                |
|--------------------|--------------------------------------------------------------------------------------------------------------------------------------------------------------------------------------------------------------------------------------------------------------------------------------------------------------------------------------------------------------------------------------------------------------------------------------------------------------------------------------------------------------------------------------------------------------------------------------------------------------------------------------------------------------------------------------------------------------------------------------------------------------------------------------------------------------------------------------------------------------------------------------------------------------------------------------------------------------------------------------------------------------------------------------------------------------------------------------------------------------------------------------------------------------------------------------------------------------------------------------------------------------------------------------------------------------------------------------------------------------------------------------------------------------------------------------------------------------------------------------------------------------------------------------------------------------------------------------------------------------------------------|
| <b>Syntax</b>      | <b>mbs</b> { <i>size</i> [ <b>bytes</b>   <b>kilobytes</b> ]   <b>default</b> }<br><b>no mbs</b>                                                                                                                                                                                                                                                                                                                                                                                                                                                                                                                                                                                                                                                                                                                                                                                                                                                                                                                                                                                                                                                                                                                                                                                                                                                                                                                                                                                                                                                                                                                               |
| <b>Context</b>     | config>qos>sap-ingress>policer                                                                                                                                                                                                                                                                                                                                                                                                                                                                                                                                                                                                                                                                                                                                                                                                                                                                                                                                                                                                                                                                                                                                                                                                                                                                                                                                                                                                                                                                                                                                                                                                 |
| <b>Description</b> | <p>This command is used to configure the policer's PIR leaky bucket's high priority violate threshold. The <b>high-prio-only</b> command is applied to the MBS value to derive the bucket's low priority violate threshold. For ingress, trusted in-profile packets and untrusted high priority packets use the policer's high priority violate threshold while trusted out-of-profile and untrusted low priority packets use the policer's low priority violate threshold. At egress, in-profile packets use the policer's high priority violate threshold and out-of-profile packets use the policer's low priority violate threshold.</p> <p>The PIR bucket's violate threshold represent the maximum burst tolerance allowed by the policer. If the policer's offered rate is equal to or less than the policer's defined rate, the PIR bucket depth hovers around the 0 depth with spikes up to the maximum packet size in the offered load. If the offered rate increases beyond the metering rate, the amount of data allowed above the rate is capped by the threshold. The low priority violate threshold provides a smaller burst size for the lower priority traffic associated with the policer. Since all lower priority traffic is discarded at the lower burst tolerance size, the remaining burst tolerance defined by <b>high-prio-only</b> is available for the higher priority traffic.</p> <p>The policer's mbs size defined in the QoS policy may be overridden on an sla-profile or SAP where the policy is applied.</p> <p>The no form of this command returns the policer to its default MBS size.</p> |
| <b>Default</b>     | 64 kilobytes when PIR = <b>max</b> , otherwise, 10ms volume of traffic for a configured non zero/non max PIR.                                                                                                                                                                                                                                                                                                                                                                                                                                                                                                                                                                                                                                                                                                                                                                                                                                                                                                                                                                                                                                                                                                                                                                                                                                                                                                                                                                                                                                                                                                                  |

## Service SAP QoS Policy Command Reference

|                   |                                                                                                                                                                                                                                                                                                                                                                                                                                                                                                                                                                                                                                                                                                                                                                                                |
|-------------------|------------------------------------------------------------------------------------------------------------------------------------------------------------------------------------------------------------------------------------------------------------------------------------------------------------------------------------------------------------------------------------------------------------------------------------------------------------------------------------------------------------------------------------------------------------------------------------------------------------------------------------------------------------------------------------------------------------------------------------------------------------------------------------------------|
| <b>Parameters</b> | <p><i>size</i> [<b>bytes</b>   <b>kilobytes</b>] — The <i>size</i> parameter is required when specifying <b>mbs</b> and is expressed as an integer representing the required size in either bytes or kilobytes. The default is kilobytes. The optional <b>byte</b> and <b>kilobyte</b> keywords are mutually exclusive and are used to explicitly define whether <i>size</i> represents bytes or kilobytes.</p> <p><b>bytes</b> — When <b>byte</b> is defined, the value given for <i>size</i> is interpreted as the queue's MBS value given in bytes.</p> <p><b>kilobytes</b> — When <b>kilobytes</b> is defined, the value is interpreted as the queue's MBS value given in kilobytes.</p> <p><b>Values</b>     0 – 16777216 or <b>default</b></p> <p><b>Default</b>    <b>kilobytes</b></p> |
|-------------------|------------------------------------------------------------------------------------------------------------------------------------------------------------------------------------------------------------------------------------------------------------------------------------------------------------------------------------------------------------------------------------------------------------------------------------------------------------------------------------------------------------------------------------------------------------------------------------------------------------------------------------------------------------------------------------------------------------------------------------------------------------------------------------------------|

### parent

|                    |                                                                                                                                                                                                                                                                                                                                                                                                             |
|--------------------|-------------------------------------------------------------------------------------------------------------------------------------------------------------------------------------------------------------------------------------------------------------------------------------------------------------------------------------------------------------------------------------------------------------|
| <b>Syntax</b>      | <b>parent</b> { <b>root</b>   <i>arbiter-name</i> } [ <b>level</b> <i>level</i> ] [ <b>weight</b> <i>weight-within-level</i> ]<br><b>no parent</b>                                                                                                                                                                                                                                                          |
| <b>Context</b>     | config>qos>sap-ingress>policer                                                                                                                                                                                                                                                                                                                                                                              |
| <b>Description</b> | This command is used to create a child to parent mapping between each instance of the policer and either the <b>root</b> arbiter or a specific tiered <b>arbiter</b> on the object where the policy is applied. Defining a parent association for the policer causes the policer to compete for the parent policer's available bandwidth with other child policers mapped to the policer control hierarchy. |

Policer control hierarchies may be created on SAPs or on a subscriber or multi-service site context. To create a policer control hierarchy on an ingress or egress SAP context, a **policer-control-policy** must be applied to the SAP. Once applied, the system will create a parent policer that is bandwidth limited by the policy's **max-rate** value under the root arbiter. The root arbiter in the policy also provides the information used to determine the various priority level discard-unfair and discard-all thresholds. Besides the root arbiter, the policy may also contain user defined tiered arbiters that provide arbitrary bandwidth control for subsets of child policers that are either directly or indirectly parented by the arbiter.

When the QoS policy containing the policer with a **parent** mapping to an arbiter name exists on the SAP, the system will scan the available arbiters on the SAP. If an arbiter exists with the appropriate name, the policer to arbiter association is created. If the specified arbiter does not exist either because a **policer-control-policy** is not currently applied to the SAP or the arbiter name does not exist within the applied policy, the policer is placed in an orphan state. Orphan policers operate as if they are not parented and are not subject to any bandwidth constraints other than their own PIR. When a policer enters the orphan state, it is flagged as operationally degraded due to the fact that it is not operating as intended and a trap is generated. Whenever a **policer-control-policy** is added to the SAP or the existing policy is modified, the SAP's policer's parenting configurations must be reevaluated. If an orphan policer becomes parented, the degraded flag should be cleared and a resulting trap should be generated.

For subscribers, the policer control hierarchy is created through the **policer-control-policy** applied to the **sub-profile** used by the subscriber. A unique policer control hierarchy is created for each subscriber associated with the **sub-profile**. The QoS policy containing the policer with the parenting command comes into play through the subscriber **sla-profile** which references the QoS policy. The combining of the **sub-profile** and the **sla-profile** at the subscriber level provides the system with the proper information to create the policer control hierarchy instance for the subscriber. This functionality is available only for the 7450 ESS and 7750 SR.

Executing the **parent** command will fail if:

- The policer's stat-mode in the QoS policy is set to no-stats
- A stat-mode no-stats override exists on an instance of the policer on a SAP or subscriber or multi-service site context

A policer with a **parent** command applied cannot be configured with **stat-mode no-stats** in either the QoS policy or as an override on an instance of the policer

Once a policer is successfully parented to an arbiter, the **parent** commands **level** and **weight** parameters are used to determine at what priority level and at which weight in the priority level that the child policer competes with other children (policers or other arbiters) for bandwidth.

The **no** form of this command is used to remove the parent association from all instances of the policer.

**Parameters** **{root | arbiter-name}** — When the **parent** command is executed, either the keyword **root** or an *arbiter-name* must be specified.

**root** — The **root** keyword specifies that the policer is intended to become a child to the **root** arbiter where an instance of the policer is created. If the **root** arbiter does not exist, the policer will be placed in the orphan state.

**Default** **root**

*arbiter-name* — The *arbiter-name* parameter specifies that the policer is intended to become a child to one of the tiered arbiters with the given arbiter-name where an instance of the policer is created. If the specified arbiter-name does not exist, the policer will be placed in the orphan state.

**Default** None

**weight** *weight-within-level* — The **weight** *weight-within-level* keyword and parameter are optional when executing the **parent** command. When **weight** is not specified, a default level of 1 is used in the parent arbiters priority level. When **weight** is specified, the *weight-within-level* parameter must be specified as an integer value from 1 through 100.

**Default** 1

### percent-rate

**Syntax** **percent-rate** *pir-percent* [**cir** *cir-percent*]  
**no percent-rate**

**Context** config>qos>sap-egress>policer

## Service SAP QoS Policy Command Reference

config>qos>sap-ingress>policer

**Description** The percent-rate command within the SAP ingress and egress QoS policy enables supports for a policer's PIR and CIR rate to be configured as a percentage of the immediate parent root policer/arbitrator rate or the FP capacity.

This enables the same QoS policy to be used on SAPs on different FPs without needing to use SAP based policer overrides to modify a policer's rate to get the same relative performance from the policer.

If the parent arbitrator rate changes after the policer is created, the policer's PIR and CIR rates will be recalculated based on the defined percentage value.

The rate and percent-rate commands override one another. If the current rate for a policer is defined using the percent-rate command and the rate command is executed, the percent-rate values are deleted. In a similar fashion, the percent-rate command causes any rate command values to be deleted. A policer's rate may dynamically be changed back and forth from a percentage to an explicit rate at anytime.

The **no** form of this command returns the queue to its default shaping rate and cir rate.

**Parameters** *pir-percent* — Specifies the policer's PIR as a percentage of the immediate parent root policer/arbitrator rate or the FP capacity.

**Values** Percentage ranging from 0.01 to 100.00

**Default** 100.00

**cir** *cir-percent* — The **cir** keyword is optional and when defined the required cir-percent CIR parameter expresses the policer's CIR as a percentage of the immediate parent root policer/arbitrator rate or the FP capacity.

**Values** Percentage ranging from 0.00 to 100.00

**Default** 100.00

## profile-capped

**Syntax** [no] profile-capped

**Context** config>qos>sap-ingress>policer  
config>qos>sap-egress>policer  
config>qos>queue-group-templates>ingress>queue-group  
config>qos>queue-group-templates>egress>queue-group

**Description** Profile capped mode enforces an overall in-profile burst limit to the CIR bucket for ingress undefined, ingress explicit in-profile, egress soft-in-profile, and egress explicit in-profile packets. The default behavior when profile-capped mode is not enabled is to ignore the CIR output state when an explicit in-profile packet is handled by an ingress or egress policer.

The profile-capped mode makes two changes:



- At egress, soft-in-profile packets (packets received from ingress as in-profile) are treated the same as explicit in-profile (unless explicitly reclassified as out-of-profile) and have an initial policer state of in-profile.
- At both ingress and egress, any packet output from the policer with a non-conforming CIR state are treated as out-of-profile (out-of-profile state is ignored for initial in-profile packets when profile capped mode is not enabled)

**Default** no profile-capped

### profile-out-preserve

**Syntax** `[no] profile-out-preserve`

**Context** `config>qos>sap-egress>policer`

**Description** This command specifies whether to preserve the color of offered out-of-profile traffic at sap-egress policer (profile of the packet can change based on egress CIR state).

When enabled, traffic determined as out-of-profile at ingress policer will be treated as out-of-profile at sap-egress policer.

### rate

**Syntax** `rate {max | kilobits-per-second} [cir {max | kilobits-per-second}]`  
`no rate`

**Context** `config>qos>sap-ingress>policer`

**Description** This command is used to configure the policer's metering and optional profiling rates. The metering rate is used by the system to configure the policer's PIR leaky bucket's decrement rate while the profiling rate configures the policer's CIR leaky bucket's decrement rate. The decrement function empties the bucket while packets applied to the bucket attempt to fill it based on the each packets size. If the bucket fills faster than how much is decremented per packet, the bucket's depth eventually reaches it's exceed (CIR) or violate (PIR) threshold. The **cbs**, **mbs**, and **high-prio-only** commands are used to configure the policer's PIR and CIR thresholds.

If a packet arrives at the policer while the bucket's depth is less than the threshold associated with the packet, the packet is considered to be conforming to the bucket's rate. If the bucket depth is equal to or greater than the threshold, the packet is considered to be in the exception state. For the CIR bucket, the exception state is exceeding the CIR rate while the PIR bucket's exception state is violating the PIR bucket rate. If the packet is violating the PIR, the packet is marked red and will be discarded. If the packet is not red, it may be green or yellow based on the conforming or exceeding state from the CIR bucket.

When a packet is red neither the PIR or CIR bucket depths are incremented by the packets size. When the packet is yellow the PIR bucket is incremented by the packet size, but the CIR bucket is not. When the packet is green, both the PIR and CIR buckets are incremented by the packet size. This ensures that conforming packets impact the bucket depth while exceeding or violating packets do not.

## Service SAP QoS Policy Command Reference

The policer's **adaptation-rule** command settings are used by the system to convert the specified rates into hardware timers and decrement values for the policer's buckets.

By default, the policer's metering rate is **max** and the profiling rate is 0 Kbps (all packets out-of-profile).

The **rate** settings defined for the policer in the QoS policy may be overridden on an **sla-profile** or SAP where the policy is applied.

The **no** form of this command is used to restore the default metering and profiling rate to a policer.

**Parameters** **{max | kilobits-per-second}** — Specifying the keyword **max** or an explicit *kilobits-per-second* parameter directly following the rate command is required and identifies the policer's metering rate for the PIR leaky bucket. When the policer is first created, the metering rate defaults to max. The *kilobits-per-second* value must be expressed as an integer and defines the rate in kilobits-per-second. The integer value is multiplied by 1,000 to derive the actual rate in bits-per-second. When max is specified, the maximum policer rate used will be equal to the maximum capacity of the card on which the policer is configured. If the policer rate is set to a value larger than the maximum rate possible for the card, then the PIR used is equivalent to max.

**Values** **max** or 1 to 2000000000

**cir {max | kilobits-per-second}** — The optional **cir** keyword is used to override the default CIR rate of the policer. Specifying the keyword max or an explicit *kilobits-per-second* parameter directly following the cir keyword is required and identifies the policer's profiling rate for the CIR leaky bucket. When the policer is first created, the profiling rate defaults to 0 Kbps. The *kilobits-per-second* value must be expressed as an integer and defines the rate in kilobits-per-second. The integer value is multiplied by 1,000 to derive the actual rate in bits-per-second. When **max** is specified, the maximum policer rate used will be equal to the maximum capacity of the card on which the policer is configured. If the policer rate is set to a value larger than the maximum rate possible for the card, then the CPIC used is equivalent to max.

**Values** **max** or 0 to 2000000000

## stat-mode

**Syntax** **stat-mode {no-stats | minimal | offered-profile-no-cir | offered-priority-no-cir | offered-limited-profile-cir | offered-profile-cir | offered-priority-cir | offered-total-cir | offered-profile-capped-cir | offered-limited-capped-cir}**  
**no stat mode**

**Context** config>qos>sap-ingress>policer  
config>qos>queue-group-templates>ingress>queue-group

**Description** This command is used to configure the forwarding plane counters that allow offered, output and discard accounting to occur for the policer. An ingress policer has multiple types of offered packets (explicit in-profile, explicit out-of-profile, high priority or low priority) and each of these offered types is interacting with the policer's metering and profiling functions resulting in colored output packets (green, yellow and red). Due to the large number of policers, it is not economical to allocate counters in the forwarding plane for all possible offered packet types and output conditions. Many policers will not be configured with a CIR profiling rate and not all policers will receive explicitly profiled offered packets. The **stat-mode** command allows provisioning of the number of counters each policer requires and how the offered packet types and output conditions should be mapped to the counters.

While a **no-stats** mode is supported which prevents any packet accounting, the use of the policer's **parent** command requires at the policer's **stat-mode** to be set at least to the **minimal** setting so that offered stats are available for the policer's Fair Information Rate (FIR) to be calculated. Once a policer has been made a child to a parent policer, the **stat-mode** cannot be changed to **no-stats** unless the policer parenting is first removed.

Each time the policer's **stat-mode** is changed, any previous counter values are lost and any new counters are set to zero.

Each mode uses a certain number of counters per policer instance that are allocated from the forwarding plane's policer counter resources. You can view the the total/allocated/free stats by using the **tools dump resource-usage card fp** command. If insufficient counters exist to implement a mode on any policer instance, the **stat-mode** change will fail and the previous mode will continue unaffected for all instances of the policer.

The default **stat-mode** when a policer is created within the policy is **minimal**.

The **stat-mode** setting defined for the policer in the QoS policy may be overridden on an **sla-profile** or SAP where the policy is applied. If insufficient policer counter resources exist to implement the override, the **stat-mode** override command will fail. The previous **stat-mode** setting active for the policer will continue to be used by the policer.

The **no** form of this command attempts to return the policer's stat-mode setting to minimal. The command will fail if insufficient policer counter resources exist to implement minimal where the QoS policer is currently applied and has a forwarding class mapping.

**Parameters** **no-stats** — Counter resource allocation: 0

The policer does not have any forwarding plane counters allocated and cannot provide offered, discard and forward statistics. A policer using no-stats cannot be a child to a parent policer and the policer's parent command will fail.

When **collect-stats** is enabled, the lack of counters causes the system to generate the following statistics:

- a. offered-in = 0
- b. offered-out = 0
- c. discard-in = 0
- d. discard-out = 0
- e. forward-in = 0
- f. forward-out = 0

## Service SAP QoS Policy Command Reference

Counter 0 indicates that the accounting statistic returns a value of zero.

**minimal** — Counter resource allocation: 1

The default **stat-mode** for a policer is **minimal**. The **minimal** mode allocates 1 forwarding plane offered counter and one traffic manager discard counter. The forwarding counter is derived by subtracting the discard counter from the offered counter. The counters do not differentiate possible offered types (profile or priority) and do not count green or yellow output. This does not prevent the policer from supporting different offered packet types and does not prevent the policer from supporting a CIR rate.

This counter mode is useful when only the most basic accounting information is required.

The counters are used in the following manner:

1. offered = profile in/out, priority high/low
2. discarded = Same as 1
3. forwarded = Derived from 1 - 2

When **collect-stats** is enabled, the counters are used by the system to generate the following statistics:

- a. offered-in = 1
- b. offered-out = 0
- c. discard-in = 2
- d. discard-out = 0
- e. forward-in = 3
- f. forward-out = 0

Counter 0 indicates that the accounting statistic returns a value of zero.

With **minimal** enabled as the policer **stat-mode**, the SAP offered stats for the policer returned via MIB query and CLI show commands will return the following values:

- i. offered-in = 1
- ii. offered-out = 0
- iii. offered-undefined = 0
- iv. offered-managed = 0 (IPM managed packets are not redirected from the policer)

Counter 0 indicates that the SAP policer statistic returns a value of zero.

**offered-profile-no-cir** — Counter resource allocation: 2

The **offered-profile-no-cir** mode allocates two forwarding plane offered counters and two traffic manager discard counters.

The **offered-profile-no-cir** mode is most useful when the policer is receiving only in-profile and out-of-profile premarked (and trusted) packets. It is expected that in this instance a CIR rate will not be defined since all packets are already premarked. This mode does not prevent the policer from receiving untrusted (color undefined) nor does it prevent the policer from being configured with a CIR rate.

The counters are used in the following manner:

1. offered-in = profile in
2. offered-out = profile out, priority high/low
3. dropped-in = Same as 1

4. dropped-out = Same as 2
5. forwarded-in = Derived from 1 - 3
6. forwarded-out = Derived from 2 - 4

When **collect-stats** is enabled, the counters are used by the system to generate the following statistics:

- a. offered-in = 1
- b. offered-out = 2
- c. discard-in = 3
- d. discard-out = 4
- e. forward-in = 5
- f. forward-out = 6

With **offered-profile-no-cir** enabled as the policer **stat-mode**, the SAP offered stats for the policer returned via MIB query and CLI show commands will return the following values:

- i. offered-in = 1
- ii. offered-out = 2
- iii. offered-undefined = 0
- iv. offered-managed = 0 (IPPM managed packets are not redirected from the policer)

Counter 0 indicates that the SAP policer statistic returns a value of zero.

**offered-priority-no-cir** — Counter resource allocation: 2

The **offered-priority-no-cir** mode allocates two forwarding plane offered counters and two traffic manager discard counters.

The **offered-priority-no-cir** mode is most useful when the policer is receiving only untrusted packets and the ingress priority high and priority low classification options are being used without a CIR profiling rate defined. This mode does not prevent the policer from receiving trusted packets that are premarked in-profile or out-of-profile nor does it prevent the policer from being configured with a CIR rate.

The counters are used in the following manner:

1. offered-high = profile in, priority high
2. offered-low = profile out, priority low
3. dropped-high = Same as 1
4. dropped-low = Same as 2
5. forwarded-high = Derived from 1 - 3
6. forwarded-low = Derived from 2 - 4

When **collect-stats** is enabled, the counters are used by the system to generate the following statistics:

- a. offered-high = 1
- b. offered-low = 2
- c. discard-high = 3
- d. discard-low = 4
- e. forward-high = 5
- f. forward-low = 6

## Service SAP QoS Policy Command Reference

With **offered-priority-no-cir** enabled as the policer **stat-mode**, the SAP offered stats for the policer returned via MIB query and CLI show commands will return the following values:

- i. offered-high = 1
- ii. offered-low = 2
- iii. offered-undefined = 0
- iv. offered-managed = 0 (IMPM managed packets are not redirected from the policer)

Counter 0 indicates that the SAP policer statistic returns a value of zero.

**offered-limited-profile-cir** — Counter resource allocation: 3

The **offered-limited-profile-cir** mode allocates three forwarding plane offered counters and three traffic manager discard counters.

The **offered-limited-profile-cir** mode is most useful when the policer is receiving trusted out-of-profile (profile out but no profile in) traffic and untrusted packets are being applied to a defined CIR profiling rate. This mode does not prevent the policer from receiving trusted in-profile packets.

The counters are used in the following manner:

- 1. offered-undefined-that-turned-green = profile in, priority high/low
- 2. offered-undefined-that-turned-yellow-or-red = priority high/low
- 3. offered-out-that-stayed-yellow-or-turned-red = profile out
- 4. dropped-undefined-that-turned-green = Same as 1
- 5. dropped-undefined-that-turned-yellow-or-red = Same as 2
- 6. dropped-out-that-turned-yellow-or-red = Same as 3
- 7. forwarded-undefined-that-turned-green = Derived from 1 - 4
- 8. forwarded-undefined-that-turned-yellow = Derived from 2 - 5
- 9. forwarded-out-that-turned-yellow = Derived from 3 - 6

When **collect-stats** is enabled, the counters are used by the system to generate the following statistics:

- a. offered-in = 0
- b. offered-out = 1 + 2 + 3
- c. discard-in = 0
- d. discard-out = 4 + 5 + 6
- e. forward-in = 7
- f. forward-out = 8 + 9

With **offered-limited-profile-cir** enabled as the policer **stat-mode**, the SAP offered stats for the policer returned via MIB query and CLI show commands will return the following values:

- i. offered-in = 0
- ii. offered-out = 3
- iii. offered-undefined = 1 + 2
- iv. offered-managed = 0 (IMPM managed packets are not redirected from the policer)

Counter 0 indicates that the SAP policer statistic returns a value of zero.

**offered-profile-cir** — Counter resource allocation: 4

The **offered-profile-cir** mode allocates four forwarding plane offered counters and four traffic manager discard counters.

The **offered-profile-cir** mode is most useful when the policer is receiving trusted out-of-profile and in-profile traffic and is also receiving untrusted packets that are being applied to a defined CIR profiling rate. This mode differs from **offered-limited-profile-cir** mode in that it expects both trusted in-profile and out-of-profile packets while still performing CIR profiling on packets with untrusted markings. It is expected that in most cases where both trusted and untrusted packets are received, the predominate case will not include trusted in-profile packets making the offered-limited-profile-cir accounting mode acceptable.

The counters are used in the following manner:

1. offered-in-that-stayed-green-or-turned-red = profile in
2. offered-undefined-that-turned-green = priority high/low
3. offered-undefined-that-turned-yellow-or-red = priority high/low
4. offered-out-that-stayed-yellow-or-turned-red = profile out
5. dropped-in-that-stayed-green-or-turned-red = Same as 1
6. dropped-undefined-that-turned-green = Same as 2
7. dropped-undefined-that-turned-yellow-or-red = Same as 3
8. dropped-out-that-turned-yellow-or-red = Same as 4
9. forwarded-in-that-stayed-green = Derived from 1 - 5
10. forwarded-undefined-that-turned-green = Derived from 2 - 6
11. forwarded-undefined-that-turned-yellow = Derived from 3 - 7
12. forwarded-out-that-turned-yellow = Derived from 4 - 8

When **collect-stats** is enabled, the counters are used by the system to generate the following statistics:

- a. offered-in = 1
- b. offered-out = 2 + 3 + 4
- c. discard-in = 5 + 6
- d. discard-out = 7 + 8
- e. forward-in = 9 + 10
- f. forward-out = 11 + 12

With **offered-profile-cir** enabled as the policer **stat-mode**, the SAP offered stats for the policer returned via MIB query and CLI show commands will return the following values:

- i. offered-high = 1
  - ii. offered-low = 4
  - iii. offered-undefined = 2 + 3
  - iv. offered-managed = 0 (IPPM managed packets are not redirected from the policer)
- Counter 0 indicates that the SAP policer statistic returns a value of zero.

**offered-priority-cir** — Counter resource allocation: 4

The **offered-priority-cir** mode allocates four forwarding plane offered counters and four traffic manager discard counters.

## Service SAP QoS Policy Command Reference

The **offered-priority-cir** mode is most useful when the policer is receiving only untrusted packets that are being classified as high priority or low priority and are being applied to a defined CIR profiling rate. This mode differs from **offered-profile-cir** mode in that it does not expect trusted in-profile and out-of-profile packets but does not exclude the ability of the policer to receive them.

The counters are used in the following manner:

1. offered-high-that-turned-green = profile in, priority high
2. offered-high-that-turned-yellow-or-red = profile in, priority high
3. offered-low-that-turned-green = profile out, priority low
4. offered-low-that-turned-yellow-or-red = profile out, priority low
5. dropped-high-that-turned-green = Same as 1
6. dropped-high-that-turned-yellow-or-red = Same as 2
7. dropped-low-that-turned-green = Same as 3
8. dropped-low-that-turned-yellow-or-red = Same as 4
9. forwarded-high-that-turned-green = Derived from 1 - 5
10. forwarded-high-that-turned-yellow = Derived from 2 - 6
11. forwarded-low-that-turned-green = Derived from 3 - 7
12. forwarded-low-that-turned-yellow = Derived from 4 - 8

When **collect-stats** is enabled, the counters are used by the system to generate the following statistics:

- a. offered-high = 1 + 2
- b. offered-low = 3 + 4
- c. discard-in = 5 + 7
- d. discard-out = 6 + 8
- e. forward-in = 9 + 11
- f. forward-out = 10 + 12

With **offered-priority-cir** enabled as the policer **stat-mode**, the SAP offered stats for the policer returned via MIB query and CLI show commands will return the following values:

- i. offered-high = 1 + 2
- ii. offered-low = 3 + 4
- iii. offered-undefined = 0
- iv. offered-managed = 0 (IMPM managed packets are not redirected from the policer)

Counter 0 indicates that the SAP policer statistic returns a value of zero.

### **offered-total-cir** — Counter resource allocation: 2

The **offered-total-cir** mode allocates two forwarding plane offered counters and two traffic manager discard counters.

The **offered-total-cir** mode is most useful when the policer is not receiving trusted in-profile or out-of-profile traffic and both high and low priority classifications are not being used on the untrusted packets and the offered packets are being applied to a defined CIR profiling rate. This mode does not prevent the policer from receiving trusted in-profile or out-of-profile packets and does not prevent the use of priority high or low classifications on the untrusted packets.



The counters are used in the following manner:

1. offered-that-turned-green = profile in/out, priority high/low
2. offered- that-turned-yellow-or-red = profile in/out, priority high/low
3. dropped-offered-that-turned-green = Same as 1
4. dropped-offered-that-turned-yellow-or-red = Same as 2
5. forwarded-offered-that-turned-green = Derived from 1 - 3
6. forwarded-offered-that-turned-yellow = Derived from 2 - 4

When **collect-stats** is enabled, the counters are used by the system to generate the following statistics:

- a. offered-in = 1 + 2
- b. offered-out = 0
- c. discard-in = 3
- d. discard-out = 4
- e. forward-in = 5
- f. forward-out = 6

Counter 0 indicates that the accounting statistic returns a value of zero.

With **offered-total-cir** enabled as the policer **stat-mode**, the SAP offered stats for the policer returned via MIB query and CLI show commands will return the following values:

- i. offered-high = 1 + 2
- ii. offered-low = 0
- iii. offered-undefined = 0
- iv. offered-managed = 0 (IPPM managed packets are not redirected from the policer)

Counter 0 indicates that the SAP policer statistic returns a value of zero.

### **offered-profile-capped-cir** — Counter resource allocation: 2

When **offered-profile-capped-cir** is defined, the system creates five offered-output counters in the forwarding plane and five discard counters in the traffic manager.

The **offered-profile-capped-cir** mode is similar to the offered-profile-cir mode except that it includes support for profile in and **soft-in-profile** that may be output as ‘out-of-profile’ due to enabling **profile-capped** mode on the ingress policer.

The impact of using **offered-profile-capped-cir** stat-mode while **profile-capped** mode is disabled are that one of the counting resources in the forwarding plane and traffic manager will not be used and soft-in-profile will be treated as ‘offered-in’ instead of ‘offered-undefined’.

The counters are used in the following manner:

1. ‘offered-in-that-stayed-green’ = profile in, soft-in-profile
2. ‘offered-in-that-turned-yellow-or-red’ = profile in, soft-in-profile
3. ‘offered-soft-out-that-turned-green’ = soft-out-of-profile
4. ‘offered-soft-out- that-turned-yellow-or-red’ = soft-out-of-profile
5. ‘offered-out-that-turned-yellow-or-red’ = profile out
6. ‘dropped-in-that-stayed-green’ = Same as 1
7. ‘dropped-in-that-turned-yellow-or-red’ = Same as 2

## Service SAP QoS Policy Command Reference

- 8. 'dropped-soft-out-that-turned-green' = Same as 3
- 9. 'dropped-soft-out-that-turned-yellow-or-red' = Same as 4
- 10. 'dropped-out-that-turned-yellow-or-red' = Same as 5
- 11. 'forwarded-in-that-stayed-green' = Derived from 1 - 6
- 12. 'forwarded-in-that-turned-yellow' = Derived from 2 - 7
- 13. 'forwarded-soft-out-that-turned-green' = Derived from 3 - 8
- 14. 'forwarded-soft-out-that-turned-yellow' = Derived from 4 - 9
- 15. 'forwarded-out-that-turned-yellow' = Derived from 5 - 10

When collect-stats is enabled, the counters are used by the system to generate the following statistics:

- a. 'offered-undefined' = 3 + 4
- b. 'offered-in' = 1 + 2
- c. 'offered-out' = 5
- d. 'discard-in' = 6 + 8
- e. 'discard-out' = 7 + 9 + 10
- f. 'forward-in' = 11 + 13
- g. 'forward-out' = 12 + 14 + 15

**offered-limited-capped-cir** — Counter resource allocation: 2

**offered-limited-capped-cir** is defined, the system creates four forwarding plane offered-output counters in the network processor and four discard counters in the traffic manager.

The **offered-limited-capped-cir** mode is similar to the **offered-profile-capped-cir** mode except that it combines **profile out** and **soft-out-of-profile** and eliminates the 'offered-undefined' statistic.

The impact of using **offered-limited-capped-cir** stat-mode while **profile-capped** mode is disabled are that one of the counting resources in the forwarding plane and traffic manager will not be used and **soft-in-profile** will be treated as 'offered-in' instead of 'offered-undefined'.

The counters are used in the following manner:

- 1. 'offered-in-that-stayed-green' = profile in, soft-in-profile
- 2. 'offered-in-that-turned-yellow-or-red' = profile in, soft-in-profile
- 3. 'offered-out-that-turned-green' = soft-out-of-profile
- 4. 'offered-out- that-turned-yellow-or-red' = profile out, soft-out-of-profile
- 5. 'dropped-in-that-stayed-green' = Same as 1
- 6. 'dropped-in-that-turned-yellow-or-red' = Same as 2
- 7. 'dropped-out-that-turned-green' = Same as 3
- 8. 'dropped-out-that-turned-yellow-or-red' = Same as 4
- 9. 'forwarded-in-that-stayed-green' = Derived from 1 - 5
- 10. 'forwarded-in-that-turned-yellow' = Derived from 2 - 6
- 11. 'forwarded-out-that-turned-green' = Derived from 3 - 7
- 12. 'forwarded-out-that-turned-yellow' = Derived from 4 - 8

When collect-stats is enabled, the counters are used by the system to generate the following statistics:

- a. 'offered-in' = 1 + 2
- b. 'offered-out' = 3 + 4
- c. 'discard-in' = 5 + 7
- d. 'discard-out' = 6 + 8
- e. 'forward-in' = 9 + 11
- f. 'forward-out' = 10 + 12

## prec

|                    |                                                                                                                                                                                                                                                                                                                                                                                     |
|--------------------|-------------------------------------------------------------------------------------------------------------------------------------------------------------------------------------------------------------------------------------------------------------------------------------------------------------------------------------------------------------------------------------|
| <b>Syntax</b>      | <b>prec</b> <i>ip-prec-value</i> <b>fc</b> <i>fc-name</i> [ <b>priority</b> { <b>high</b>   <b>low</b> }]<br><b>no prec</b> <i>ip-prec-value</i>                                                                                                                                                                                                                                    |
| <b>Context</b>     | config>qos>sap-ingress                                                                                                                                                                                                                                                                                                                                                              |
| <b>Description</b> | This command explicitly sets the forwarding class or enqueueing priority when a packet is marked with an IP precedence value ( <i>ip-prec-value</i> ). Adding an IP precedence rule on the policy forces packets that match the specified <i>ip-prec-value</i> to override the forwarding class and enqueueing priority based on the parameters included in the IP precedence rule. |

When the forwarding class is not specified in the rule, a matching packet preserves (or inherits) the existing forwarding class derived from earlier matches in the classification hierarchy.

When the enqueueing priority is not specified in the rule, a matching packet preserves (or inherits) the existing enqueueing priority derived from earlier matches in the classification hierarchy.

The *ip-prec-value* is derived from the most significant three bits in the IP header ToS byte field (precedence bits). The three precedence bits define 8 Class-of-Service (CoS) values commonly used to map packets to per-hop Quality-of-Service (QoS) behavior. The precedence bits are also part of the newer DiffServ Code Point (DSCP) method of mapping packets to QoS behavior. The DSCP uses the most significant six bits in the IP header ToS byte and so overlaps with the precedence bits. Both IP precedence and DSCP classification rules are supported. DSCP rules have a higher match priority than IP precedence rules and where a *dscp-name* DSCP value overlaps an *ip-prec-value*, the DSCP rule takes precedence.

The HSMDA queue offered stats represent all packets sent to a specific ingress or egress queue regardless of the HSMDA counter override. This results in accurate queue offered stats, while the discard and forwarding stats per queue only represent packets that have not been associated with an exception counter. If the queue discard and forwarding stats are subtracted from the queue offered stats, an approximation of the number of packets handled by the queue that have been associated with an exception counter may be calculated. This is an approximation due to the possible presence of packets currently in the queue that are not represented by the discard or forwarding stats at the time the stats are collected but had been included in the queue offered stats. This discrepancy is minimized when the stats are collected over time and disappears completely once the queue drains.

## Service SAP QoS Policy Command Reference

The **no** form of the command removes the explicit IP precedence classification rule from the SAP ingress policy. Removing the rule on the policy immediately removes the rule on all ingress SAPs using the policy.

### Parameters

**ip-prec-value** — The *ip-prec-value* is a required parameter that specifies the unique IP header ToS byte precedence bits value that will match the IP precedence rule. If the command is executed more than once with the same *ip-prec-value*, the previous forwarding class and enqueueing priority is completely overridden by the new parameters or defined to be inherited when a forwarding class or enqueueing priority parameter is missing.

A maximum of eight IP precedence rules are allowed on a single policy.

The precedence is evaluated from the lowest to highest value.

**Values** 0 to 7

**fc fc-name** — The value given for the *fc-name* parameter must be one of the predefined forwarding classes in the system. Specifying the *fc-name* is optional. When a packet matches the rule the forwarding class is only overridden when the **fc fc-name** parameter is defined on the rule. If the packet matches and the forwarding class is not explicitly defined in the rule, the forwarding class is inherited based on previous rule matches.

The sub-class-name parameter is optional and used with the *fc-name* parameter to define a preexisting sub-class. The *fc-name* and sub-class-name parameters must be separated by a period (dot). If sub-class-name does not exist in the context of *fc-name*, an error will occur. If sub-class-name is removed using the **no fc fc-name.sub-class-name force** command, the default-*fc* command will automatically drop the sub-class-name and only use *fc-name* (the parent forwarding class for the sub-class) as the forwarding class.

### Values

**fc:** class[.sub-class]  
class: be, l2, af, l1, h2, ef, h1, nc  
sub-class: 29 characters max

**Default** Inherit (When **fc** is not defined, the rule preserves the previous forwarding class of the packet.)

**priority** — The priority parameter overrides the default enqueueing priority for all packets received on an ingress SAP using this policy that match this rule. Specifying the priority is optional. When a packet matches the rule the enqueueing priority is only overridden when the priority parameter is defined on the rule. If the packet matches and priority is not explicitly defined in the rule, the enqueueing priority is inherited based on previous rule matches.

**high** — This parameter is used in conjunction with the **priority** parameter. Setting the enqueueing parameter to **high** for a packet increases the likelihood of enqueueing the packet when the ingress queue is congested. Ingress enqueueing priority only affects ingress SAP queuing. When the packet is placed in a buffer on the ingress queue, the significance of the enqueueing priority is lost.

**low** — This parameter is used in conjunction with the **priority** parameter. Setting the enqueueing parameter to **low** for a packet decreases the likelihood of enqueueing the packet when the ingress queue is congested. Ingress enqueueing priority only affects ingress SAP enqueueing. When the packet is placed in a buffer on the ingress queue, the significance of the enqueueing priority is lost.

**Default** Inherit (When priority is not defined, the rule preserves the previous enqueueing priority of the packet.)

**Values** high, low

## prec

**Syntax** **prec** *ip-prec-value* **fc** *fc-name* [**hsmda-counter-override** *counter-id*] [**profile** {**in** | **out**}]  
**no prec** *ip-prec-value*

**Context** config>qos>sap-egress

**Description** This command defines a specific IP precedence value that must be matched to perform the associated reclassification actions. If an egress packet on the SAP matches the specified IP precedence value, the forwarding class, profile or HSMDA egress queue accounting behavior may be overridden. By default, the forwarding class and profile of the packet is derived from ingress classification and profiling functions. The default behavior for HSMDA queue accounting is to use the counters associated with the queue to which the packet is mapped (applies to the 7450 ESS and 7750 SR).

The IP precedent bits used to match against prec reclassification rules come from the Type of Service (ToS) field within the IPv4 header. If the packet does not have an IPv4 header, prec based matching is not performed.

The reclassification actions from a prec reclassification rule may be overridden by a DHCP or IP flow matching events.

The **fc** keyword is optional. When specified, the egress classification rule will overwrite the forwarding class derived from ingress. The new forwarding class is used for egress remarking and queue mapping decisions. If a dhcp or ip-criteria match occurs after the prec match, the new forwarding class may be overridden by the higher priority match actions. If the higher priority match actions do not specify a new fc, the fc from the prec match will be used.

The **profile** keyword is optional. When specified, the egress classification rule will overwrite the profile of the packet derived from ingress. The new profile value is used for egress remarking and queue congestion behavior. If a dhcp or ip-criteria match occurs after the prec match, the new profile may be overridden by the higher priority match actions. If the higher priority match actions do not specify a new profile, the profile from the prec match will be used.

## Service SAP QoS Policy Command Reference

The `hsmda-counter-override` keyword applies to the 7450 ESS and 7750 SR and is optional. When specified and the egress SAP is created on an HSMDA, the egress classification rule will override the default queue accounting function for the packet. By default, the HSMDA uses each queue's default queue counters for packets mapped to the queue. The `hsmda-counter-override` keyword is used to map the packet to an explicit exception counter. One of eight counters may be used. When the packet is mapped to an exception counter, the packet will not increment the queue's discard or forwarding counters, instead the exception discard and forwarding counters will be used. The dscp based counter override decision may be overwritten by an ip-criteria reclassification rule match if the higher priority classification rule has an `hsmda-counter-override` action defined.

The **no** form of the command removes the reclassification rule from the SAP egress QoS policy.

### Parameters

**fc** *fc-name* — This keyword is optional. When specified, packets matching the IP precedence value will be explicitly reclassified to the forwarding class specified as *fc-name* regardless of the ingress classification decision. The explicit forwarding class reclassification may be overwritten by a higher priority dscp or ip-criteria reclassification match. The *fc-name* defined must be one of the eight forwarding classes supported by the system. To remove the forwarding class reclassification action for the specified *prec-value*, the `prec` command must be re-executed without the `fc` reclassification action defined.

**Values**      be, 11, af, 12, h1, ef, h2 or nc

**Default**     None

**profile** {**in** | **out**} — This keyword is optional. When specified, packets matching the IP precedence value will be explicitly reclassified to either in-profile or out-of-profile regardless of the ingress profiling decision. The explicit profile reclassification may be overwritten by a higher priority dscp or ip-criteria reclassification match. To remove the profile reclassification action for the specified *prec-value*, the `prec` command must be re-executed without the profile reclassification action defined.

**in** — The `in` parameter is mutually exclusive to the `out` parameter following the profile reclassification action keyword. Either `in` or `out` must be specified when the profile keyword is present. When `in` is specified, any packets matching the reclassification rule will be treated as in-profile by the egress forwarding plane. This value may be overwritten by an explicit profile action in a higher priority dscp or ip-criteria reclassification match.

**out** — The `out` parameter is mutually exclusive to the `in` parameter following the profile reclassification action keyword. Either `in` or `out` must be specified when the profile keyword is present. When `out` is specified, any packets matching the reclassification rule will be treated as out-of-profile by the egress forwarding plane. This value may be overwritten by an explicit profile action in a higher priority dscp or ip-criteria reclassification match.

*hsmda-counter-override counter-id* — The *hsmda-counter-override* reclassification action is optional and only has significance on SAPs which are created on an HSMDA. When specified, packets matching the IP precedence value will be mapped to the defined HSMDA exception counter-id for the packets queue group. The default behavior is to use the default counter on the queue group for the queue to which the packet is mapped. The *hsmda-counter-override* action may be overwritten by an *ip-criteria* reclassification rule match. The specified counter-id must be specified as an integer between 1 and 8. To remove the ESMDA exception counter reclassification action for the specified DSCP value, the *dscp* command must be re-executed without the *hsmda-counter-override* reclassification action defined.

**Values** 1 to 8

## queue

|                    |                                                                                                                                                                                                                                                                         |
|--------------------|-------------------------------------------------------------------------------------------------------------------------------------------------------------------------------------------------------------------------------------------------------------------------|
| <b>Syntax</b>      | <b>queue</b> <i>queue-id</i> [ <b>multipoint</b> ] [ <i>queue-type</i> ] [ <i>queue-mode</i> ] <b>pool</b> <i>pool-name</i><br><b>queue</b> <i>queue-id</i> [ <b>multipoint</b> ] [ <i>queue-type</i> ] <b>pool</b> <i>pool-name</i><br><b>no queue</b> <i>queue-id</i> |
| <b>Context</b>     | config>qos>sap-ingress<br>config>qos>sap-egress                                                                                                                                                                                                                         |
| <b>Description</b> | This command creates the context to configure an ingress service access point (SAP) QoS policy queue.                                                                                                                                                                   |

Explicit definition of an ingress queue's hardware scheduler status is supported. A single ingress queue allows support for multiple forwarding classes. The default behavior automatically chooses the expedited or non-expedited nature of the queue based on the forwarding classes mapped to it. As long as all forwarding classes mapped to the queue are expedited (nc, ef, h1 or h2), the queue is treated as an expedited queue by the hardware schedulers. When any non-expedited forwarding classes are mapped to the queue (be, af, l1 or l2), the queue is treated as best effort (be) by the hardware schedulers. The expedited hardware schedulers are used to enforce expedited access to internal switch fabric destinations. The hardware status of the queue must be defined at the time of queue creation within the policy.

The **queue** command allows the creation of multipoint queues. Only multipoint queues can receive ingress packets that need flooding to multiple destinations. By separating the unicast for multipoint traffic at service ingress and handling the traffic on separate multipoint queues special handling of the multipoint traffic is possible. Each queue acts as an accounting and (optionally) shaping device offering precise control over potentially expensive multicast, broadcast and unknown unicast traffic. Only the back-end support of multipoint traffic (between the forwarding class and the queue based on forwarding type) needs to be defined. The individual classification rules used to place traffic into forwarding classes are not affected. Queues must be defined as multipoint at the time of creation within the policy.

The multipoint queues are for multipoint-destined service traffic. Within non-multipoint services, such as Epipe services, all traffic is considered unicast due to the nature of the service type. Multicast and broadcast-destined traffic in an Epipe service will not be mapped to a multipoint service queue.

## Service SAP QoS Policy Command Reference

When an ingress SAP QoS policy with multipoint queues is applied to an Epipe SAP, the multipoint queues are not created. When an ingress SAP QoS policy with multipoint queues is applied to an IES SAP, a multipoint queue will be created when PIM is enabled on the IES interface.

Any billing or statistical queries about a multipoint queue on a non-multipoint service returns zero values. Any queue parameter information requested about a multipoint queue on a non-multipoint service returns the queue parameters in the policy. Buffers will not be allocated for multipoint queues on non-multipoint services. Buffer pool queries return zero values for actual buffers allocated and current buffer utilization.

The **no** form of this command removes the *queue-id* from the SAP ingress QoS policy and from any existing SAPs using the policy. If any forwarding class forwarding types are mapped to the queue, they revert to their default queues. When a queue is removed, any pending accounting information for each SAP queue created due to the definition of the queue in the policy is discarded.

The pool keyword is a create time parameter that allows the queue to receive buffers from an explicit buffer pool instead of the default buffer pool. The specified pool-name must have been explicitly created in a named-pool-policy and the policy must have been applied to the MDA or port on which the queue resides.

If the specified pool-name does not exist on the MDA, the queue will be treated as ‘pool orphaned’ and will be mapped to the appropriate default pool. Once the pool comes into existence on the MDA or port, the queue will be mapped to the new pool.

Once the queue is created within the policy, the pool command may be used to either remove the queue from the pool, or specify a new pool name association for the queue. The pool command does not appear in save or show command output. Instead, the current pool name for the queue will appear (or not appear) on the queue command output using the pool keyword.

### Parameters

*queue-id* — The *queue-id* for the queue, expressed as an integer. The *queue-id* uniquely identifies the queue within the policy. This is a required parameter each time the queue command is executed.

**Values**     1 to 32

*queue-type* — The **expedite**, **best-effort** and **auto-expedite** queue types are mutually exclusive to each other. Each defines the method that the system uses to service the queue from a hardware perspective. While parental virtual schedulers can be defined for the queue, they only enforce how the queue interacts for bandwidth with other queues associated with the same scheduler hierarchy. An internal mechanism that provides access rules when the queue is vying for bandwidth with queues in other virtual schedulers is also needed. A keyword must be specified at the time the queue is created in the SAP ingress policy. If an attempt to change the keyword after the queue is initially defined, an error is generated.

**expedite** — This keyword ensures that the queue is treated in an expedited manner independent of the forwarding classes mapped to the queue.

**best-effort** — This keyword ensures that the queue is treated in a non-expedited manner independent of the forwarding classes mapped to the queue.



**auto-expedite** — This keyword allows the system to auto-define the way the queue is serviced by the hardware. When **auto-expedite** is defined on the queue, the queue is treated in an expedited manner when all forwarding classes mapped to the queue are configured as expedited types nc, ef, h1 or h2. When a single non-expedited forwarding class is mapped to the queue (be, af, l1 and l2) the queue automatically falls back to non-expedited status.

**Values** expedite, best-effort, auto-expedite

**Default** auto-expedite

**multipoint** — This keyword specifies that this *queue-id* is for multipoint forwarded traffic only. This *queue-id* can only be explicitly mapped to the forwarding class multicast, broadcast, or unknown unicast ingress traffic. If you attempt to map forwarding class unicast traffic to a multipoint queue, an error is generated and no changes are made to the current unicast traffic queue mapping.

A queue must be created as multipoint. The **multipoint** designator cannot be defined after the queue is created. If an attempt is made to modify the command to include the **multipoint** keyword, an error is generated and the command will not execute.

The **multipoint** keyword can be entered in the command line on a preexisting multipoint queue to edit *queue-id* parameters.

**Values** multipoint or not present

**Default** Present (the queue is created as non-multipoint)

*queue-mode* — Specifies the mode in which the queue is operating. This attribute is associated with the queue at the time of creation and cannot be modified thereafter.

**Values** **profile-mode**: When the queue is operating in the profile mode (or, the color aware mode), the queue tries to provide the appropriate bandwidth to the packets with different profiles. The profiles are assigned according to the configuration of the forwarding class or the sub-forwarding class.

**priority-mode**: The queue is capable of handling traffic differently with two distinct priorities. These priorities are assigned by the stages preceding the queueing framework in the system. In priority mode, the queue does not have the functionality to support the profiled traffic and in such cases the queue will have a degraded performance. However, the converse is not valid and a queue in profile mode should be capable of supporting the different priorities of traffic.

**Default** **priority-mode**

## Service SAP QoS Policy Command Reference

*pool-name* — The specified *pool-name* identifies a named pool where the policy will be applied. Each queue created within the system is tied to a physical port. When the policy is applied and the queue is created, the system will scan the named pools associated with the port to find the specified pool name. If the pool is not found on the port, the system will then look at named pools defined at the ports MDA level. If the pool name is not found on either the port or MDA, the queue will be marked as ‘pool-orphaned’ and will be mapped to the appropriate default pool. If the pool comes into existence, the queue will be moved from the default pool to the new named pool and the ‘pool-orphaned’ state will be cleared. The specified name must be an ASCII name string up to 16 characters long.

**Values** Any valid ASCII name string

**Default** None

The queue’s pool association may only be removed by either re-executing the queue command without the pool keyword or by executing the no pool command within the queue’s CLI context. When the pool name is removed, the queue will be placed on the appropriate default pool.

## Service Ingress QoS Policy Forwarding Class Commands

### broadcast-queue

**Syntax** **broadcast-queue** *queue-id* [**group** *queue-group-name*]

**Context** config>qos>sap-ingress>fc

**Description** This command overrides the default broadcast forwarding type queue mapping for **fc** *fc-name*. The specified *queue-id* must exist within the policy as a multipoint queue before the mapping can be made. Once the forwarding class mapping is executed, all broadcast traffic on a SAP using this policy will be forwarded using the *queue-id*.

The broadcast forwarding type usually tracks the multicast forwarding type definition. This command overrides that default behavior.

The **no** form of the command sets the broadcast forwarding type *queue-id* back to the default of tracking the multicast forwarding type queue mapping.

**Parameters** *queue-id* — The *queue-id* parameter must be an existing, multipoint queue defined in the config>qos>sap-ingress context.

**Values** Any valid multipoint queue ID in the policy including 2 through 32.

**Default** 11

**group** *queue-group-name* — This optional parameter is used to redirect the forwarding type within the forwarding class to the specified queue-id within the queue-group-name. When the policy is applied, all packets matching the forwarding class and forwarding type will be redirected to the queue within the specified queue group. The *queue-group-name* are configured in the **config>qos>queue-group-templates** egress and ingress contexts.

## de-1-out-profile

**Syntax** [no] **de-1-out-profile**

**Context** config>qos>sap-ingress>fc

**Description** This command, when enabled on a parent forwarding class, applies a color profile mode to the packets stored in the queue associated with this forwarding class. The queue associated with the parent forwarding class **MUST** be of type **profile-mode**.

When this QoS policy is applied to the ingress of a Frame Relay VLL SAP, the system will treat the received FR frames with DE bit set as out-of-profile regardless of their previous marking as the result of the default classification or on a match with an IP filter. It also adjusts the CIR of the ingress SAP queue to take into account out-of-profile frames which were sent while the SAP queue was in the “< CIR” state of the bucket. This makes sure that the CIR of the SAP is achieved in the long run.

All received DE=0 frames which are classified into this parent forwarding class or any of its sub-classes have their profile unchanged by enabling this option. That is the DE=0 frame profile could be undetermined (default), in-profile, or out-of-profile as per previous classification. The DE=0 frames which have a profile of undetermined will be evaluated by the system CIR marking algorithm and will be marked appropriately.

The **priority** option if used has no effect. All FR VLL DE=1 frames have automatically their priority set to low while DE=0 frames have their priority set to high. Furthermore, DE=1 frames have drop-preference bit set in the internal header. The internal settings of the priority bit and of the drop-preference bit of the frame is independent of the use or not of the profile mode.

All other capabilities of the Fpipe service are maintained. This includes remarking of the DE bit on egress SAP, and FR PW control word on egress network port for the packets which were classified into “out-of-profile” at ingress SAP.

This **de-1-out-profile** keyword has an effect when applied to the ingress of a SAP which is part of an fpipe service. It can also be used on the ingress of an epipe or vpls SAP.

The **no** form of the command disables the color profile mode of operation on all SAPs this ingress QoS policy is applied.

**Default** no de-1-out-profile

## egress-fc

**Syntax** **egress-fc** *fc-name*

## Service SAP QoS Policy Command Reference

|                    |                                                                                                                                                                                                                                                                                                                                                                                        |
|--------------------|----------------------------------------------------------------------------------------------------------------------------------------------------------------------------------------------------------------------------------------------------------------------------------------------------------------------------------------------------------------------------------------|
|                    | <b>no egress-fc</b>                                                                                                                                                                                                                                                                                                                                                                    |
| <b>Context</b>     | config>qos>sap-ingress>fc                                                                                                                                                                                                                                                                                                                                                              |
| <b>Description</b> | <p>This command configures the forwarding class to be used by the egress QoS processing. It overrides the forwarding class determined by ingress classification but not the QoS Policy Propagation via BGP.</p> <p>The forwarding class and/or forwarding sub-class can be overridden.</p> <p>The new egress forwarding class is applicable to both SAP egress and network egress.</p> |
| <b>Default</b>     | no egress-fc                                                                                                                                                                                                                                                                                                                                                                           |
| <b>Parameters</b>  | <i>fc-name</i> — Specifies the forwarding class name to be used by the egress QoS processing.                                                                                                                                                                                                                                                                                          |
|                    | <b>Default</b> None. The fc name must be specified.                                                                                                                                                                                                                                                                                                                                    |
|                    | <b>Values</b> be, l2, af, l1, h2, ef, h1, nc                                                                                                                                                                                                                                                                                                                                           |

## in-remark

|                    |                                                                                                                                                                                                                                                                                                                                                                                                                                                                                                                                                                                                                                                                                                                                                                                                                                                                                                                                                                                                                                                                                                                                                                                                                                                                                                                                                                                                                                                                                        |
|--------------------|----------------------------------------------------------------------------------------------------------------------------------------------------------------------------------------------------------------------------------------------------------------------------------------------------------------------------------------------------------------------------------------------------------------------------------------------------------------------------------------------------------------------------------------------------------------------------------------------------------------------------------------------------------------------------------------------------------------------------------------------------------------------------------------------------------------------------------------------------------------------------------------------------------------------------------------------------------------------------------------------------------------------------------------------------------------------------------------------------------------------------------------------------------------------------------------------------------------------------------------------------------------------------------------------------------------------------------------------------------------------------------------------------------------------------------------------------------------------------------------|
| <b>Syntax</b>      | <b>in-remark dscp</b> <i>dscp-name</i><br><b>in-remark prec</b> <i>ip-prec-value</i><br><b>no in-remark</b>                                                                                                                                                                                                                                                                                                                                                                                                                                                                                                                                                                                                                                                                                                                                                                                                                                                                                                                                                                                                                                                                                                                                                                                                                                                                                                                                                                            |
| <b>Context</b>     | config>qos>sap-ingress>fc                                                                                                                                                                                                                                                                                                                                                                                                                                                                                                                                                                                                                                                                                                                                                                                                                                                                                                                                                                                                                                                                                                                                                                                                                                                                                                                                                                                                                                                              |
| <b>Description</b> | <p>This command is used in a SAP ingress QoS policy to define an explicit in-profile remark action for a forwarding class or sub-class. While the SAP ingress QoS policy may be applied to any SAP, the remarking functions are only enforced when the SAP is associated with an IP or subscriber interface (in an IES or VPRN). When the policy is applied to a Layer 2 SAP (i.e., Epipe or VPLS), the remarking definitions are silently ignored.</p> <p>In the case where the policy is applied to a Layer 3 SAP, the in-profile remarking definition will be applied to packets that have been classified to the forwarding class or sub-class. It is possible for a packet to match a classification command that maps the packet to a particular forwarding class or sub-class only to have a more explicit (higher priority match) override the association. Only the highest priority match forwarding class or sub-class association will drive the in-profile marking.</p> <p>The in-remark command is only applicable to ingress IP routed packets that are considered in-profile. The profile of a SAP ingress packet is affected by either the explicit in-profile/out-of-profile definitions or the ingress policing function applied to the packet. The following table shows the effect of the in-remark command on received SAP ingress packets. Within the in-profile IP packet's ToS field, either the six DSCP bits or the three precedence bits are remarked.</p> |

| <b>SAP Ingress Packet State</b>    | <b>'in-remark' Command Effect</b> |
|------------------------------------|-----------------------------------|
| Non-Routed, Policed In-Profile     | No Effect (non-routed packet)     |
| Non-Routed, Policed Out-of-Profile | No Effect (non-routed packet)     |
| Non-Routed, Explicit In-Profile    | No Effect (non-routed packet)     |

| SAP Ingress Packet State            | 'in-remark' Command Effect                     |
|-------------------------------------|------------------------------------------------|
| Non-Routed, Explicit Out-of-Profile | No Effect (non-routed packet)                  |
| IP Routed, Policed In-Profile       | in-remark value applied to IP header ToS field |
| IP Routed, Policed Out-of-Profile   | No Effect (out-of-profile packet)              |
| IP Routed, Explicit In-Profile      | in-remark value applied to IP header ToS field |
| IP Routed, Explicit Out-of-Profile  | No Effect (out-of-profile packet)              |

The **no** form of the command disables ingress remarking of in-profile packets classified to the forwarding class or sub-class.

| Parameters                       |                                                                                                                                                                                                                                                                                                                                                                                                                                                                                                                                                                                                                                                                                                                                                                                                                                                                                                                                                                                                                                                              |
|----------------------------------|--------------------------------------------------------------------------------------------------------------------------------------------------------------------------------------------------------------------------------------------------------------------------------------------------------------------------------------------------------------------------------------------------------------------------------------------------------------------------------------------------------------------------------------------------------------------------------------------------------------------------------------------------------------------------------------------------------------------------------------------------------------------------------------------------------------------------------------------------------------------------------------------------------------------------------------------------------------------------------------------------------------------------------------------------------------|
| <b>dscp</b> <i>dscp-name</i>     | <p>— This parameter is one of two mutually exclusive settings that are applicable to the in-remark command. The in-remark command can be configured to either remark the DiffServ Code Point (DSCP) six bit value or the three Precedence bits. The dscp parameter specifies that the matching packets DSCP bits should be overridden with the value represented by dscp-name.</p> <p>32 characters, maximum, The name specified by dscp-name is used to refer to the six bit value represented by dscp-name. It must be one of the predefined DSCP names defined on the system.</p> <p><b>Values</b> be, cp1, cp2, cp3, cp4, cp5, cp6, cp7, cs1, cp9, af11, cp11, af12, cp13, af13, cp15, cs2, cp17, af21, cp19, af22, cp21, af23, cp23, cs3, cp25, af31, cp27, af32, cp29, af33, cp31, cs4, cp33, af41, cp35, af42, cp37, af43, cp39, cs5, cp41, cp42, cp43, cp44, cp45, cp47, nc1, cp49, cp50, cp51, cp52, cp53, cp54, cp55, nc2, cp57, cp58, cp59, cp60, cp61, cp62, cp63</p> <p><b>Default</b> None (an explicit valid DSCP name must be specified)</p> |
| <b>prec</b> <i>ip-prec-value</i> | <p>— This parameter is one of two mutually exclusive settings that are applicable to the in-remark command. The in-remark command can be configured to either remark the DiffServ Code Point (DSCP) six bit value or the three Precedence bits. The prec parameter specifies that the matching packets Precedence bits should be overridden with the value represented by prec-value.</p> <p><b>Values</b> 0 to 7</p> <p><b>Default</b> None (an explicit precedence value must be specified)</p>                                                                                                                                                                                                                                                                                                                                                                                                                                                                                                                                                            |

## multicast-queue

|                    |                                                                                                                                                                                                                                                                                                                                                                     |
|--------------------|---------------------------------------------------------------------------------------------------------------------------------------------------------------------------------------------------------------------------------------------------------------------------------------------------------------------------------------------------------------------|
| <b>Syntax</b>      | <b>multicast-queue</b> <i>queue-id</i> [ <b>group</b> <i>queue-group-name</i> ]                                                                                                                                                                                                                                                                                     |
| <b>Context</b>     | config>qos>sap-ingress>fc                                                                                                                                                                                                                                                                                                                                           |
| <b>Description</b> | This command overrides the default multicast forwarding type queue mapping for <b>fc</b> <i>fc-name</i> . The specified <i>queue-id</i> must exist within the policy as a multipoint queue before the mapping can be made. Once the forwarding class mapping is executed, all multicast traffic on a SAP using this policy is forwarded using the <i>queue-id</i> . |

## Service SAP QoS Policy Command Reference

The multicast forwarding type includes the **unknown** unicast forwarding type and the **broadcast** forwarding type unless each is explicitly defined to a different multipoint queue. When the unknown and broadcast forwarding types are left as default, they will track the defined queue for the multicast forwarding type.

The **no** form of the command sets the multicast forwarding type *queue-id* back to the default queue for the forwarding class. If the **broadcast** and **unknown** forwarding types were not explicitly defined to a multipoint queue, they will also be set back to the default multipoint queue (queue 11).

**Parameters** *queue-id* — The *queue-id* parameter specified must be an existing, multipoint queue defined in the `config>qos>sap-ingress` context.

**Values** Any valid multipoint queue-ID in the policy including 2 through 32.

**Default** 11

**group** *queue-group-name* — This optional parameter is used to redirect the forwarding type within the forwarding class to the specified *queue-id* within the *queue-group-name*. When the policy is applied, all packets matching the forwarding class and forwarding type will be redirected to the queue within the specified queue group. The *queue-group-name* are configured in the `config>qos>queue-group-templates` egress and ingress contexts.

## out-remark

**Syntax** **out-remark dscp** *dscp-name*  
**out-remark prec** *ip-prec-value*  
**no out-remark**

**Context** `config>qos>sap-ingress>fc`

**Description** This command is used in a SAP ingress QoS policy to define an explicit out-of-profile remark action for a forwarding class or sub-class. While the SAP ingress QoS policy may be applied to any SAP, the remarking functions are only enforced when the SAP is associated with an IP or subscriber interface (in an IES or VPRN). When the policy is applied to a Layer 2 SAP (for example, Epipe or VPLS), the remarking definitions are silently ignored.

In the case where the policy is applied to a Layer 3 SAP, the out-of-profile remarking definition will be applied to packets that have been classified to the forwarding class or sub-class. It is possible for a packet to match a classification command that maps the packet to a particular forwarding class or sub-class only to have a more explicit (higher priority match) override the association. Only the highest priority match forwarding class or sub-class association will drive the out-of-profile marking.

The out-remark command is only applicable to ingress IP routed packets that are considered out-of-profile. The profile of a SAP ingress packet is affected by either the explicit in-profile/out-of-profile definitions or the ingress policing function applied to the packet. The following table shows the effect of the out-remark command on received SAP ingress packets. Within the out-of-profile IP packet's ToS field, either the six DSCP bits or the three precedence bits are remarked.

Table 28: Out-remark command effect

| SAP Ingress Packet State            | 'out-remark' Command Effect                     |
|-------------------------------------|-------------------------------------------------|
| Non-Routed, Policed In-Profile      | No Effect (non-routed packet)                   |
| Non-Routed, Policed Out-of-Profile  | No Effect (non-routed packet)                   |
| Non-Routed, Explicit In-Profile     | No Effect (non-routed packet)                   |
| Non-Routed, Explicit Out-of-Profile | No Effect (non-routed packet)                   |
| IP Routed, Policed In-Profile       | No Effect (in-profile packet)                   |
| IP Routed, Policed Out-of-Profile   | out-remark value applied to IP header ToS field |
| IP Routed, Explicit In-Profile      | No Effect (in-of-profile packet)                |
| IP Routed, Explicit Out-of-Profile  | out-remark value applied to IP header ToS field |

A packet that is explicitly remarked at ingress will not be affected by any egress remarking decision. Explicit ingress remarking has highest priority.

The **no** form of the command disables ingress remarking of out-of-profile packets classified to the forwarding class or sub-class.

**Default** none

**Parameters** **dscp** *dscp-name* — This parameter is one of two mutually exclusive settings that are applicable to the out-remark command. The out-remark command can be configured to either remark the DiffServ Code Point (DSCP) six bit value or the three Precedence bits. The dscp parameter specifies that the matching packets DSCP bits should be overridden with the value represented by dscp-name.

32 characters, maximum. The name specified by dscp-name is used to refer to the six bit value represented by dscp-name. It must be one of the predefined DSCP names defined on the system.

**Values** be, cp1, cp2, cp3, cp4, cp5, cp6, cp7, cs1, cp9, af11, cp11, af12, cp13, af13, cp15, cs2, cp17, af21, cp19, af22, cp21, af23, cp23, cs3, cp25, af31, cp27, af32, cp29, af33, cp31, cs4, cp33, af41, cp35, af42, cp37, af43, cp39, cs5, cp41, cp42, cp43, cp44, cp45, cp47, nc1, cp49, cp50, cp51, cp52, cp53, cp54, cp55, nc2, cp57, cp58, cp59, cp60, cp61, cp62, cp63

**Default** None (an explicit valid DSCP name must be specified)

**prec** *ip-prec-value* — This parameter is one of two mutually exclusive settings that are applicable to the out-remark command. The out-remark command can be configured to either remark the DiffServ Code Point (DSCP) six bit value or the three Precedence bits. The prec parameter specifies that the matching packets Precedence bits should be overridden with the value represented by prec-value.

## Service SAP QoS Policy Command Reference

The value specified by prec-value is used to overwrite the Precedence bits within a matching routed packets IP header ToS field.

**Values** 0 to 7

**Default** None (an explicit Precedence value must be specified)

An explicit dscp name or prec value must be specified for out-of-profile remarking to be applied.

### profile

|                    |                                                                                                                                                                                                                                                                                                                                                                                                                                                                                                                                                                                                                                                                                                                                                                                                                                                                                                                                                                                                                                                                                                                                                   |
|--------------------|---------------------------------------------------------------------------------------------------------------------------------------------------------------------------------------------------------------------------------------------------------------------------------------------------------------------------------------------------------------------------------------------------------------------------------------------------------------------------------------------------------------------------------------------------------------------------------------------------------------------------------------------------------------------------------------------------------------------------------------------------------------------------------------------------------------------------------------------------------------------------------------------------------------------------------------------------------------------------------------------------------------------------------------------------------------------------------------------------------------------------------------------------|
| <b>Syntax</b>      | <b>profile {in   out}</b><br><b>no profile</b>                                                                                                                                                                                                                                                                                                                                                                                                                                                                                                                                                                                                                                                                                                                                                                                                                                                                                                                                                                                                                                                                                                    |
| <b>Context</b>     | config>qos>sap-ingress>fc                                                                                                                                                                                                                                                                                                                                                                                                                                                                                                                                                                                                                                                                                                                                                                                                                                                                                                                                                                                                                                                                                                                         |
| <b>Description</b> | <p>This command places a forwarding class or sub-class into a color aware profile mode. Normally, packets associated with a class are considered in-profile or out-of-profile solely based on the dynamic rate of the ingress queue relative to its CIR. Explicitly defining a class as in-profile or out-of-profile overrides this function by handling each packet with the defined profile state.</p> <p>The profile command may only be executed when the forwarding class or the parent forwarding class (for a sub-class) is mapped to a queue that has been enabled to support color aware profile packets. The queue may only be configured for profile-mode at the time the queue is created in the SAP ingress QoS policy.</p> <p>A queue operating in profile-mode may support in-profile, out-of-profile and non-profiled packets simultaneously. However, the high and low priority classification actions are ignored when the queue is in profile-mode.</p> <p>The <b>no</b> form of the command removes an explicit in-profile or out-of-profile configuration on a forwarding class or sub-class.</p>                            |
| <b>Default</b>     | <b>no profile</b> — The default profile state of a forwarding class or sub-class is not to treat ingress packets as color aware. An explicit definition for in-profile or out-of-profile must be specified on the forwarding class or sub-class.                                                                                                                                                                                                                                                                                                                                                                                                                                                                                                                                                                                                                                                                                                                                                                                                                                                                                                  |
| <b>Parameters</b>  | <p><b>in</b> — The <b>in</b> keyword is mutually exclusive to the <b>out</b> keyword. When the profile in command is executed, all packets associated with the class will be handled as in-profile. Packets explicitly handled as in-profile or out-of-profile still flow through the ingress service queue associated with the class to preserve order within flows. In-profile packets will count against the CIR of the queue, diminishing the amount of CIR available to other classes using the queue that are not configured with an explicit profile.</p> <p><b>out</b> — The <b>out</b> keyword is mutually exclusive to the <b>in</b> keyword. When the profile out command is executed, all packets associated with the class will be handled as out-of-profile. Packets explicitly handled as in-profile or out-of-profile still flow through the ingress service queue associated with the class to preserve order within flows. Out-of-profile packets will not count against the CIR of the queue, allowing other classes using the queue that are not configured with an explicit profile to be measured against the full CIR.</p> |



## unknown-queue

|                    |                                                                                                                                                                                                                                                                                                                                                                                                                                                                                                                                                                                                                                                                                                                                                              |
|--------------------|--------------------------------------------------------------------------------------------------------------------------------------------------------------------------------------------------------------------------------------------------------------------------------------------------------------------------------------------------------------------------------------------------------------------------------------------------------------------------------------------------------------------------------------------------------------------------------------------------------------------------------------------------------------------------------------------------------------------------------------------------------------|
| <b>Syntax</b>      | <b>unknown-queue</b> <i>queue-id</i> [ <b>group</b> <i>queue-group-name</i> ]<br><b>no unknown-queue</b>                                                                                                                                                                                                                                                                                                                                                                                                                                                                                                                                                                                                                                                     |
| <b>Context</b>     | config>qos>sap-ingress>fc                                                                                                                                                                                                                                                                                                                                                                                                                                                                                                                                                                                                                                                                                                                                    |
| <b>Description</b> | <p>This command overrides the default unknown unicast forwarding type queue mapping for <b>fc</b> <i>fc-name</i>. The specified <i>queue-id</i> must exist within the policy as a multipoint queue before the mapping can be made. Once the forwarding class mapping is executed, all unknown traffic on a SAP using this policy is forwarded using the <i>queue-id</i>.</p> <p>The unknown forwarding type usually tracks the multicast forwarding type definition. This command overrides that default behavior.</p> <p>The <b>no</b> form of this command sets the unknown forwarding type <i>queue-id</i> back to the default of tracking the multicast forwarding type queue mapping.</p>                                                               |
| <b>Parameters</b>  | <p><i>queue-id</i> — Specifies an existing multipoint queue defined in the <b>config&gt;qos&gt;sap-ingress</b> context.</p> <p><b>Values</b> Any valid multipoint <i>queue-id</i> in the policy including 2 through 32.</p> <p><b>Default</b> 11</p> <p><b>group</b> <i>queue-group-name</i> — This optional parameter is used to redirect the forwarding type within the forwarding class to the specified <i>queue-id</i> within the <i>queue-group-name</i>. When the policy is applied, all packets matching the forwarding class and forwarding type will be redirected to the queue within the specified queue group. The <i>queue-group-name</i> are configured in the <b>config&gt;qos&gt;queue-group-templates</b> egress and ingress contexts.</p> |

## queue

|                    |                                                                                                                                                                                                                                                                                                                                                                                                                                       |
|--------------------|---------------------------------------------------------------------------------------------------------------------------------------------------------------------------------------------------------------------------------------------------------------------------------------------------------------------------------------------------------------------------------------------------------------------------------------|
| <b>Syntax</b>      | <b>queue</b> <i>queue-id</i> [{ <b>group</b> <i>queue-group-name</i> [ <b>instance</b> <i>instance-id</i> ]   <b>port-redirect-group-queue</b> } ]<br><b>no queue</b>                                                                                                                                                                                                                                                                 |
| <b>Context</b>     | config>qos>sap-ingress>fc<br>config>qos>sap-egress>fc                                                                                                                                                                                                                                                                                                                                                                                 |
| <b>Description</b> | <p>This command overrides the default queue mapping for <b>fc</b> <i>fc-name</i>. The specified <i>queue-id</i> must exist within the policy before the mapping can be made. Once the forwarding class mapping is executed, all traffic classified to <i>fc-name</i> on a SAP using this policy.</p> <p>The <b>no</b> form of this command sets the <i>queue-id</i> back to the default queue for the forwarding class (queue 1).</p> |
| <b>Default</b>     | <b>no queue</b>                                                                                                                                                                                                                                                                                                                                                                                                                       |

## Service SAP QoS Policy Command Reference

- Parameters** *queue-id* — Specifies the SAP egress queue-id to be associated with the forwarding class. The queue-id must be an existing queue defined in sap-egress policy-id.
- Values** 1 — 8
- Default** 1
- group** *queue-group-name* — This optional parameter is used to redirect the forwarding type within the forwarding class to the specified *queue-id* within the *queue-group-name*. When the policy is applied, all packets matching the forwarding class and forwarding type will be redirected to the queue within the specified queue group. The queue-group-name are configured in the *config>qos>queue-group-templates* egress and ingress contexts. This parameter is used when policy based queue group redirection is desired. That is, the specific queue group to redirect to is named in the QoS policy.
- instance** *instance-id* — This parameter is used to specify the specific instance of a queue group with template queue-group-name to which this queue should be redirected. This parameter is only valid for queue groups on egress ports where policy based redirection is required.
- Values** 1 to 40960
- Default** 1
- port-redirect-group-queue** — This keyword is used to mark a given forwarding class queue for redirection to an egress queue group queue. This is only used when the specific queue group instance is assigned at the time the QoS policy is applied to the SAP. This redirection model is known as SAP based redirection.

## hsmda-queues

- Syntax** **hsmda-queues**
- Context** config>qos>sap-egress
- Description** This command enables the context to configure queue definitions for use on SAPs or subscribers on HSMMDAs. A single QoS policy simultaneously defines queues for both standard MDA and for HSMMDA subscribers and SAPs. This allows the policy association decision to be ignorant of the type of hardware the SAP or subscriber is traversing.

## queue

- Syntax** **queue** *queue-id* [**port-redirect-group-queue**]  
**no queue** *queue-id*
- Context** config>qos>sap-egress>hsmda-queues

**Description** This command, within the QoS policy HSMDA-queues context, is a container for the configuration parameters controlling the behavior of an HSMDA queue. Unlike the standard QoS policy queue command, this command is not used to actually create or dynamically assign the queue to the object which the policy is applied. The queue identified by queue-id always exists on the SAP or subscriber context whether the command is executed or not. In the case of HSMDA SAPs and subscribers, all eight queues exist at the moment the system allocates an HSMDA queue group to the object (both ingress and egress).

### **Best-Effort, Expedited and Auto-Expedite Queue Behavior Based on Queue-ID**

With standard service queues, the scheduling behavior relative to other queues is based on two items, the queues Best-Effort or Expedited nature and the dynamic rate of the queue relative to the defined CIR. HSMDA queues are handled differently. The create time auto-expedite and explicit expedite and best-effort qualifiers have been eliminated and instead the scheduling behavior is based solely on the queues identifier. Queues with a queue-id equal to 1 are placed in scheduling class 1. Queues with queue-id 2 are placed in scheduling class 2. And so on up to scheduling class 8. Each scheduling class is either mapped directly to a strict scheduling priority level based on the class ID, or the class may be placed into a weighted scheduling class group providing byte fair weighted round robin scheduling between the members of the group. Two weighted groups are supported and each may contain up to three consecutive scheduling classes. The weighed group assumes its highest member class's inherent strict scheduling level for scheduling purposes. Strict priority level 8 has the highest priority while strict level 1 has the lowest. When grouping of scheduling classes is defined, some of the strict levels will not be in use.

### **Single Type of HSMDA Queues**

Another difference between HSMDA queues and standard service queues is the lack of Multipoint queues. At ingress, an HSMDA SAP or subscriber does not require multi-point queues since all forwarding types (broadcast, multicast, unicast and unknown) forward to a single destination, the ingress forwarding plane on the IOM. Instead of a possible eight queues per forwarding type (for a total of up to 32) within the SAP ingress QoS policy, the hsmdda-queues node supports a maximum of eight queues.

### **Every HSMDA Queue Supports Profile Mode Implicitly**

Unlike standard service queues, the HSMDA queues do not need to be placed into the special mode profile at create time in order to support ingress color aware policing. Each queue may handle in-profile, out-of-profile and profile undefined packets simultaneously. As with standard queues, the explicit profile of a packet is dependent on ingress sub-forwarding class to which the packet is mapped.

### **Queue sharing and redirection**

Redirection to an egress port queue group specified for the HSMDA is possible using the port-redirect-group parameter. If this is specified, then packets are redirected to the queue-id in the HSMDA queue group instance named at the the time the egress QoS policy is applied to the SAP.

The **no** form of the command restores the defined queue-id to its default parameters. All HSMDA queues having the queue-id and associated with the QoS policy are re-initialized to default parameters.

**Parameters** *queue-id* — Defines the context of which of the eight ingress or egress queues will be entered for editing purposes.

## Service SAP QoS Policy Command Reference

**port-redirect-group** — This parameter is used to mark a given forwarding class queue for redirection to an egress port queue group. This is only used when the specific queue group instance is assigned at the time the qos policy is applied to the SAP. This redirection model is known as SAP based redirection.

### packet-byte-offset

|                    |                                                                                                                                                                                                                                                                                                                                                                                                                                                                                                                                   |
|--------------------|-----------------------------------------------------------------------------------------------------------------------------------------------------------------------------------------------------------------------------------------------------------------------------------------------------------------------------------------------------------------------------------------------------------------------------------------------------------------------------------------------------------------------------------|
| <b>Syntax</b>      | <b>packet-byte-offset</b> { <b>add</b> <i>add-bytes</i>   <b>subtract</b> <i>sub-bytes</i> }<br><b>no packet-byte-offset</b>                                                                                                                                                                                                                                                                                                                                                                                                      |
| <b>Context</b>     | config>qos>sap-egress>hsmda-queues                                                                                                                                                                                                                                                                                                                                                                                                                                                                                                |
| <b>Description</b> | This command adds or subtracts the specified number of bytes to the accounting function for each packet handled by the HSMDA queue. Normally, the accounting and leaky bucket functions are based on the 14-byte Ethernet DLC header, 4-byte or 8-byte VLAN tag (optional), 20-byte IP header, IP payload and the 4-byte CRC (everything except the preamble and inter-frame gap). For example, the packet-byte-offset command can be used to add the frame encapsulation overhead (20 bytes) to the queues accounting functions. |

The accounting functions affected include:

- Offered High Priority / In-Profile Octet Counter
- Offered Low Priority / Out-of-Profile Octet Counter
- Discarded High Priority / In-Profile Octet Counter
- Discarded Low Priority / Out-of-Profile Octet Counter
- Forwarded In-Profile Octet Counter
- Forwarded Out-of-Profile Octet Counter
- Peak Information Rate (PIR) Leaky Bucket Updates
- Committed Information Rate (CIR) Leaky Bucket Updates
- Queue Group Aggregate Rate Limit Leaky Bucket Updates

The secondary shaper leaky bucket, scheduler priority level leaky bucket and the port maximum rate updates are not affected by the configured packet-byte-offset. Each of these accounting functions are frame based and always include the preamble, DLC header, payload and the CRC regardless of the configured byte offset.

The packet-byte-offset command accepts either add or subtract as valid keywords which define whether bytes are being added or removed from each packet traversing the queue. Up to 20 bytes may be added to the packet and up to 43 bytes may be removed from the packet. An example use case for subtracting bytes from each packet is an IP based accounting function. Given a Dot1Q encapsulation, the command packet-byte-offset subtract 14 would remove the DLC header and the Dot1Q header from the size of each packet for accounting functions only. The 14 bytes are not actually removed from the packet, only the accounting size of the packet is affected.

As inferred above, the variable accounting size offered by the packet-byte-offset command is targeted at the queue and queue group level. When the queue group represents the last-mile bandwidth constraints for a subscriber, the offset allows the HSMDA queue group to provide an accurate accounting to prevent overrun and underrun conditions for the subscriber. The accounting size of the packet is ignored by the secondary shapers, the scheduling priority level shapers and the scheduler maximum rate. The actual on-the-wire frame size is used for these functions to allow an accurate representation of the behavior of the subscribers packets on an Ethernet aggregation network.

The packet-byte-offset value may be overridden for the HSMDA queue at the SAP or subscriber profile level.

The **no** form of the command removes any accounting size changes to packets handled by the queue. The command does not affect overrides that may exist on SAPs or subscriber profiles associated with the queue.

**Parameters** **add** *add-bytes* — Indicates that the byte value should be added to the packet for queue and queue group level accounting functions. Either the **add** or **subtract** keyword must be specified. The corresponding byte value must be specified when executing the packet-byte-offset command. The **add** keyword is mutually exclusive with the **subtract** keyword.

**Values** 1 to 31

**subtract** *sub-bytes* — Indicates that the byte value should be subtracted from the packet for queue and queue group level accounting functions. The **subtract** keyword is mutually exclusive with the **add** keyword. Either the **add** or **subtract** keyword must be specified. The corresponding byte value must be specified when executing the packet-byte-offset command. The minimum resulting packet size used by the system is 64 bytes with an HS-MDA.

**Values** 1 to 64

### wrr-policy

**Syntax** **wrr-policy** *wrr-policy-name*  
**no wrr-policy**

**Context** config>qos>sap-egress>hsmda-queues

**Description** This command associates an existing HSMDA weighted-round-robin (WRR) scheduling loop policy to the HSMDA queue.

**Parameters** *wrr-policy-name* — Specifies the existing HSMDA WRR policy name to associate to the queue.

### low-burst-max-class

**Syntax** **low-burst-max-class** *class-id*  
**no low-burst-max-class**

**Context** config>qos>sap-egress>hsmda-queues>queue

## Service SAP QoS Policy Command Reference

- Description** This command assigns the low burst maximum class to associate with the HSMDA queue. The **no** form of the command returns the class id for the queue to the default value.
- Parameters** *class-id* — Specifies the class identifier of the low burst max class for the HSMDA queue.
- Values** 1 to 32

### wrr-weight

- Syntax** **wrr-weight** *value*  
**no wrr-weight**
- Context** config>qos>sap-egress>hsmda-queues>queue
- Description** This command assigns the weight value to the HSMDA queue. The **no** form of the command returns the weight value for the queue to the default value.
- Parameters** *value* — Specifies the weight for the HSMDA queue.
- Values** 1 to 32

### slope-policy

- Syntax** **slope-policy** *hsmda-slope-policy-name*  
**no slope-policy**
- Context** config>qos>sap-egress>hsmda-queues>queue
- Description** This command associates an existing HSMDA slope policy to the QoS policy HSMDA queue. The specified *hsmda-slope-policy-name* must exist for the command to succeed. If the policy name does not exist, the command has no effect on the existing slope policy association. Once a slope policy is associated with a QoS policy queue, subscriber profile override or SAP override, the slope policy cannot be removed from the system. Any edits to an associated slope policy are immediately applied to the queues using the slope policy.

Within the ingress and egress QoS policies, packets are classified as high priority or low-priority. For color aware policies, packets are also potentially classified as in-profile, out-of-profile or profile-undefined. Based on these classifications, packets are mapped to the RED slopes in the following manner:

#### Ingress Slope Mapping

- In-Profile — High Slope (priority ignored)
- Profile-Undefined, High Priority — High Slope
- Out-of-Profile Low Slope (priority ignored)
- Profile-Undefined, Low Priority — Low Slope

### Egress Slope Mapping

- In-Profile from ingress — High Slope
- Out-of-Profile from ingress — Low Slope

The specified policy contains a value that defines the queue's MBS value (queue-mbs). This is the maximum depth of the queue specified in bytes where all packets start to discard. The high and low priority RED slopes provide congestion control mechanisms that react to the current depth of the queue and start a random discard that increases in probability as the queue depth increases. The start point and end point for each discard probability slope is defined as follows:

- Start-Utilization — This is defined as percentage of MBS and specifies where the discard probability for the slope begins to rise above 0%. (A corresponding Start-Probability parameter is not needed as the start probability is always 0%.)
- Maximum-Utilization — This is also defined as a percentage of MBS and specifies where (based on MBS utilized) the discard probability rises to 100%. This is the first portion of the knee coordinates and is meaningless without the Maximum-Probability parameter.
- Maximum-Probability — This is defined as a percentage of discard probability and in conjunction with maximum-utilization completes the knee coordinate where the discard probability deviates from the slope and rises to 100%.

Up to 1024 HSMDA slope policies may be configured on a system.

The system maintains a slope policy named hsmda-default which acts as a default policy when an explicit slope policy has not been defined for an HSMDA queue. The default policy may be edited, but it cannot be deleted. If a no slope-policy hsmda-default command is executed, the default slope policy returns to the factory default settings. The factory default settings are as follows:

#### High Slope:

- Start-Utilization 100%
- Max-Utilization 100%
- Max-Probability 100%
- Shutdown

#### Low Slope:

- Start-Utilization 90%
- Max-Utilization 90%
- Max-Probability 1
- No Shutdown

Time-Average-Factor: 0

The **no** form of the command restores the association between the queue and the HSMDA default slope policy. The command has no immediate effect for queues that have a local override defined for the slope policy.

## Service SAP QoS Policy Command Reference

|                   |                                                                                                                                                                                                                                                                                                                             |
|-------------------|-----------------------------------------------------------------------------------------------------------------------------------------------------------------------------------------------------------------------------------------------------------------------------------------------------------------------------|
| <b>Parameters</b> | <i>hsmda-slope-policy-name</i> — Specifies an existing slope policy within the system. If a slope policy with the specified name does not exist, the slope-policy command will fail without modifying the slope behavior on the queue. Once a slope policy is associated with an HSMDA queue, the policy cannot be deleted. |
| <b>Default</b>    | hsmda-default                                                                                                                                                                                                                                                                                                               |

## Service Ingress QoS Policy Entry Commands

### action

|                    |                                                                                                                                                                                                                                                                                                                                                                                                                                                                                                                                                                                                                                                                                                                                                                                                                                                                                                                                                                                                                                                                                                                                                                                                                                                                                                                                                                                                                                                                                                                                                                                                                                                                                                                                                                                                                                                                                                                                                                                                                        |
|--------------------|------------------------------------------------------------------------------------------------------------------------------------------------------------------------------------------------------------------------------------------------------------------------------------------------------------------------------------------------------------------------------------------------------------------------------------------------------------------------------------------------------------------------------------------------------------------------------------------------------------------------------------------------------------------------------------------------------------------------------------------------------------------------------------------------------------------------------------------------------------------------------------------------------------------------------------------------------------------------------------------------------------------------------------------------------------------------------------------------------------------------------------------------------------------------------------------------------------------------------------------------------------------------------------------------------------------------------------------------------------------------------------------------------------------------------------------------------------------------------------------------------------------------------------------------------------------------------------------------------------------------------------------------------------------------------------------------------------------------------------------------------------------------------------------------------------------------------------------------------------------------------------------------------------------------------------------------------------------------------------------------------------------------|
| <b>Syntax</b>      | <b>action</b> [ <b>fc</b> <i>fc-name</i> ] [ <b>priority</b> { <b>high</b>   <b>low</b> }] [ <b>policer</b> <i>policer-id</i> ]<br><b>no action</b>                                                                                                                                                                                                                                                                                                                                                                                                                                                                                                                                                                                                                                                                                                                                                                                                                                                                                                                                                                                                                                                                                                                                                                                                                                                                                                                                                                                                                                                                                                                                                                                                                                                                                                                                                                                                                                                                    |
| <b>Context</b>     | config>qos>sap-ingress>ip-criteria>entry<br>config>qos>sap-ingress>ipv6-criteria>entry<br>config>qos>sap-ingress>mac-criteria>entry                                                                                                                                                                                                                                                                                                                                                                                                                                                                                                                                                                                                                                                                                                                                                                                                                                                                                                                                                                                                                                                                                                                                                                                                                                                                                                                                                                                                                                                                                                                                                                                                                                                                                                                                                                                                                                                                                    |
| <b>Description</b> | <p>This mandatory command associates the forwarding class or enqueueing priority with specific IP, IPv6 or MAC criteria entry ID. The action command supports setting the forwarding class parameter to a sub-class. Packets that meet all match criteria within the entry have their forwarding class and enqueueing priority overridden based on the parameters included in the <b>action</b> parameters. When the forwarding class is not specified in the <b>action</b> command syntax, a matching packet preserves (or inherits) the existing forwarding class derived from earlier matches in the classification hierarchy. When the enqueueing priority is not specified in the action, a matching packet preserves (or inherits) the existing enqueueing priority derived from earlier matches in the classification hierarchy.</p> <p>When a policer is specified in the action, a matching packet is directed to the configured policer instead of the policer/queue assigned to the forwarding class of the packet.</p> <p>The <b>action</b> command must be executed for the match criteria to be added to the active list of entries. If the entry is designed to prevent more explicit (higher entry ID) entries from matching certain packets, the <b>fc</b> <i>fc-name</i> and <b>match</b> <i>protocol</i> fields should not be defined when executing action. This allows packets matching the entry to preserve the forwarding class and enqueueing priority derived from previous classification rules.</p> <p>Each time action is executed on a specific entry ID, the previous entered values for <b>fc</b> <i>fc-name</i> and <b>priority</b> are overridden with the newly defined parameters or inherits previous matches when a parameter is omitted.</p> <p>The <b>no</b> form of the command removes the entry from the active entry list. Removing an entry on a policy immediately removes the entry from all SAPs using the policy. All previous parameters for the action is lost.</p> |
| <b>Default</b>     | Action specified by the <b>default-fc</b> .                                                                                                                                                                                                                                                                                                                                                                                                                                                                                                                                                                                                                                                                                                                                                                                                                                                                                                                                                                                                                                                                                                                                                                                                                                                                                                                                                                                                                                                                                                                                                                                                                                                                                                                                                                                                                                                                                                                                                                            |



**Parameters** **fc *fc-name*** — The value given for **fc *fc-name*** must be one of the predefined forwarding classes in the system. Specifying the **fc *fc-name*** is required. When a packet matches the rule, the forwarding class is only overridden when the **fc *fc-name*** parameter is defined on the rule. If the packet matches and the forwarding class is not explicitly defined in the rule, the forwarding class is inherited based on previous rule matches.

The sub-class-name parameter is optional and used with the fc-name parameter to define a preexisting sub-class. The fc-name and sub-class-name parameters must be separated by a period (dot). If sub-class-name does not exist in the context of fc -name, an error will occur. If sub-class-name is removed using the no fc *fc-name.sub-class-name* force command, the default-fc command will automatically drop the sub-class-name and only use fc-name (the parent forwarding class for the sub-class) as the forwarding class.

### Values

```
fc: class[.sub-class]
 class: be, l2, af, l1, h2, ef, h1, nc
 sub-class: 29 characters max
```

**Default** Inherit (When **fc *fc-name*** is not defined, the rule preserves the previous forwarding class of the packet.)

**priority** — The **priority** parameter overrides the default enqueueing priority for all packets received on a SAP using this policy that match this rule. Specifying the priority (**high** or **low**) is optional. When a packet matches the rule, the enqueueing priority is only overridden when the priority parameter is defined on the rule. If the packet matches and priority is not explicitly defined in the rule, the enqueueing priority is inherited based on previous rule matches.

**Default** Inherit (When the **priority (high or low)** is not defined, the rule preserves the previous enqueueing priority of the packet)

**high** — The **high** parameter is used in conjunction with the **priority** parameter. Setting the **priority** enqueueing parameter to **high** for a packet increases the likelihood to enqueue the packet when the queue is congested. The enqueueing priority only affects ingress SAP queuing. When the packet is placed in a buffer on the queue, the significance of the enqueueing priority is lost.

**low** — The **low** parameter is used in conjunction with the **priority** parameter. Setting the **priority** enqueueing parameter to **low** for a packet decreases the likelihood to enqueue the packet when the queue is congested. The enqueueing priority only affects ingress SAP queuing. When the packet is placed in a buffer on the ingress queue, the significance of the enqueueing priority is lost.

**Default** Inherit

***policer-id*** — A valid *policer-id* must be specified. The parameter *policer-id* references a *policer-id* that has already been created within the sap-ingress QoS policy.

**Values** 1 to 63

**Default** none

### action

|                    |                                                                                                                                                                                                                                                                                                                                                               |
|--------------------|---------------------------------------------------------------------------------------------------------------------------------------------------------------------------------------------------------------------------------------------------------------------------------------------------------------------------------------------------------------|
| <b>Syntax</b>      | <b>action</b> [ <b>fc</b> <i>fc-name</i> ] [ <b>hsmda-counter-override</b> <i>counter-id</i> ] [ <b>profile</b> { <b>in</b>   <b>out</b> }] [ <b>policer</b> <i>policer-id</i> [{ <b>port-redirect-group-queue</b> <i>queue queue-id</i>   <b>queue</b> <i>queue-id</i>   <b>use-fc-mapped-queue</b> }]]<br><b>no action</b>                                  |
| <b>Context</b>     | config>qos>sap-egress>ip-criteria>entry<br>config>qos>sap-egress>ipv6-criteria>entry                                                                                                                                                                                                                                                                          |
| <b>Description</b> | This command defines the reclassification actions that should be performed on any packet matching the defined IP flow criteria within the entries match node. When defined under the ip-criteria context, the reclassification only applies to IPv4 packets. When defined under the ipv6-criteria context, the reclassification only applies to IPv6 packets. |

If an egress packet on the SAP matches the specified IP flow entry, the forwarding class, or profile or HSMMDA or egress queue accounting behavior may be overridden. By default, the forwarding class and profile of the packet is derived from ingress classification and profiling functions. The default behavior for HSMMDA queue accounting is to use the counters associated with the queue to which the packet is mapped. Matching an IP flow reclassification entry will override all IP precedence or DSCP based reclassification rule actions when an explicit reclassification action is defined for the entry.

It is also possible to redirect the egress packet to a configured policer. The forwarding class or profile can also be optionally specified, but redirection to a policer is mutually exclusive with the **hsmda-counter-override** keyword.

When an IP flow entry is first created, the entry will have no explicit behavior defined as the reclassification actions to be performed. In show and info commands, the entry will display no action as the specified reclassification action for the entry. When the entry is defined with no action, the entry will not be populated in the IP flow reclassification list used to evaluate packets egressing a SAP with the SAP egress policy defined. An IP flow reclassification entry is only added to the evaluation list when the action command for the entry is executed either with explicit reclassification entries or without any actions defined. Specifying action without any trailing reclassification actions allows packets matching the entry to exit the evaluation list without matching entries lower in the list. Executing no action on an entry removes the entry from the evaluation list and also removes any explicitly defined reclassification actions associated with the entry.

The **fc** keyword is optional. When specified, the egress classification rule will overwrite the forwarding class derived from ingress. The new forwarding class is used for egress remarking and queue mapping decisions.

The **profile** keyword is optional. When specified, the egress classification rule will overwrite the profile of the packet derived from ingress. The new profile value is used for egress remarking and queue congestion behavior.

The **hsmda-counter-override** keyword is optional. When specified and the egress SAP is created on an HSMDA, the egress classification rule will override the default queue accounting function for the packet. By default, the HSMDA uses each queue's default queue counters for packets mapped to the queue. The **hsmda-counter-override** keyword is used to map the packet to an explicit exception counter. One of eight counters may be used. When the packet is mapped to an exception counter, the packet will not increment the queue's discard or forwarding counters, instead the exception discard and forwarding counters will be used. This keyword is mutually exclusive with the redirection to a policer.

The **policer** keyword is optional. When specified, the egress packet will be redirected to the configured policer. Optional parameters allow the user to control how the forwarded policed traffic exits the egress port. By default, the policed forwarded traffic will use a queue in the egress port's policer-output-queue queue group, alternatively a queue in an instance of a user configured queue group can be used or a local SAP egress queue. This keyword is mutually exclusive with the **hsmda-counter-override** keyword.

The **no** form of this command removes all reclassification actions from the IP flow reclassification entry and also removes the entry from the evaluation list. An entry removed from the evaluation list will not be matched to any packets egress a SAP associated with the SAP egress QoS policy.

**Default** Action specified by the **default-fc**.

**Parameters** **fc** *fc-name* — The **fc** reclassification action is optional. When specified, packets matching the IP flow reclassification entry will be explicitly reclassified to the forwarding class specified as *fc-name* regardless of the ingress classification decision. The *fc-name* defined must be one of the eight forwarding classes supported by the system. To remove the forwarding class reclassification action for the IP flow entry, the action command must be re-executed without the **fc** reclassification action defined.

#### Values

```
fc: class[.sub-class]
 class: be, l2, af, l1, h2, ef, h1, nc
 sub-class: 29 characters max
```

**Default** none

**profile {in | out}** — The **profile** reclassification action is optional. When specified, packets matching the IP flow reclassification entry will be explicitly reclassified to either in-profile or out-of-profile regardless of the ingress profiling decision. To remove the **profile** reclassification action for the IP flow reclassification entry, the action command must be re-executed without the **profile** reclassification action defined.

**in** — The **in** parameter is mutually exclusive to the **out** parameter following the **profile** reclassification action keyword. Either **in** or **out** must be specified when the **profile** keyword is present. When **in** is specified, any packets matching the reclassification rule will be treated as in-profile by the egress forwarding plane.

**out** — The **out** parameter is mutually exclusive to the **in** parameter following the **profile** reclassification action keyword. Either **in** or **out** must be specified when the **profile** keyword is present. When **out** is specified, any packets matching the reclassification rule will be treated as out-of-profile by the egress forwarding plane.

## Service SAP QoS Policy Command Reference

**hsmda-counter-override** *counter-id* — The hsmda-counter-override reclassification action is optional and only has significance on SAPs which are created on an HSMDA. When specified, packets matching the IP precedence value will be mapped to the defined HSMDA exception counter-id for the packets queue group. The default behavior is to use the default counter on the queue group for the queue to which the packet is mapped. The hsmda-counter-override action may be overwritten by an ip-criteria reclassification rule match. The specified counter-id must be specified as an integer between 1 and 8. To remove the ESMDA exception counter reclassification action for the specified dscp-value, the dscp command must be re-executed without the hsmda-counter-override reclassification action defined. This keyword is mutually exclusive with the redirection to a policer.

**Values** 1 to 8

**Default** None

**policer** *policer-id* — When the action policer command is executed, a valid policer-id must be specified. The parameter policer-id references a policer-id that has already been created within the sap-egress QoS policy.

**Values** 1 to 63

**Default** none

**port-redirect-group-queue** **queue** *queue-id* — Used to override the forwarding class default egress queue destination to an egress port queue group. The specific egress queue group instance to use is specified at the time that the QoS policy is applied to the SAP. Therefore, this parameter is only valid if SAP based redirection is required. The queue parameter overrides the policer's default egress queue destination to a specified queue-id in the egress port queue group instance is used.

**Values** 1 to 8

**queue** *queue-id* — This parameter overrides the policer's default egress queue destination to a specified local SAP queue of that queue-id. A queue of ID queue-id must exist within the egress QoS policy.

**Values** 1 to 8

**use-fc-mapped-queue** — This parameter overrides the policer's default egress queue destination to the queue mapped by the traffic's forwarding class.

## entry

**Syntax** **entry** *entry-id* [**create**]  
**no entry** *entry-id*

**Context** config>qos>sap-ingress>ip-criteria  
config>qos>sap-egress>ip-criteria  
config>qos>sap-ingress>ipv6-criteria  
config>qos>sap-ingress>mac-criteria

**Description** This command is used to create or edit an IP, IPv6, or MAC criteria entry for the policy. Multiple entries can be created using unique *entry-id* numbers.

The list of flow criteria is evaluated in a top down fashion with the lowest entry ID at the top and the highest entry ID at the bottom. If the defined match criteria for an entry within the list matches the information in the egress packet, the system stops matching the packet against the list and performs the matching entries reclassification actions. If none of the entries match the packet, the IP flow reclassification list has no effect on the packet.

An entry is not populated in the list unless the action command is executed for the entry. An entry that is not populated in the list has no effect on egress packets. If the action command is executed without any explicit reclassification actions specified, the entry is populated in the list allowing packets matching the entry to exit the list, preventing them from matching entries lower in the list. Since this is the only flow reclassification entry that the packet matched and this entry explicitly states that no reclassification action is to be performed, the matching packet will not be reclassified.

The **no** form of this command removes the specified entry from the policy. Entries removed from the policy are immediately removed from all services where that policy is applied.

**Default** none

**Parameters** *entry-id* — The *entry-id*, expressed as an integer, uniquely identifies a match criterion and the corresponding action. It is recommended that multiple entries be given *entry-ids* in staggered increments. This allows users to insert a new entry in an existing policy without requiring renumbering of all the existing entries.

An entry cannot have any match criteria defined (in which case, everything matches) but must have at least the keyword **action fc** *fc-name* for it to be considered complete. Entries without the action keyword will be considered incomplete and hence will be rendered inactive.

**Default** none

**Values** 1 to 65535

**create** — Required parameter when creating a flow entry when the system is configured to require the explicit use of the keyword to prevent accidental object creation. Objects may be accidentally created when this protection is disabled and an object name is mistyped when attempting to edit the object. This keyword is not required when the protection is disabled. The keyword is ignored when the flow entry already exists.

## match

**Syntax** **[no] match [protocol protocol-id]**

**Context** config>qos>sap-egress>ip-criteria>entry  
config>qos>sap-ingress>ip-criteria>entry

**Description** This command creates a context to configure match criteria for SAP QoS policy match criteria. When the match criteria have been satisfied the action associated with the match criteria is executed.

If more than one match criteria (within one match statement) are configured, then all criteria must be satisfied (AND function) before the action associated with the match is executed.

## Service SAP QoS Policy Command Reference

A **match** context can consist of multiple match criteria, but multiple **match** statements cannot be entered per entry.

It is possible that a SAP policy includes the **dscp** map command, the **dot1p** map command, and an IP match criteria. When multiple matches occur for the traffic, the order of precedence is used to arrive at the final action. The order of precedence is as follows:

1. 802.1p bits
2. DSCP
3. IP Quintuple or MAC headers

The **no** form of this command removes the match criteria for the *entry-id*.

**Parameters** **protocol** *protocol-id* — Specifies an IP protocol to be used as a SAP QoS policy match criterion.

The protocol type such as TCP / UDP / OSPF is identified by its respective protocol number. Well-known protocol numbers include ICMP(1), TCP(6), UDP(17).

**Values** The following values apply to the 7750 SR and 7950 XRS:  
 protocol-id: 0 to 255 protocol numbers accepted in DHB  
 keywords: none, crtp, crudp, egp, eigrp, encap, ether-ip, gre, icmp, idrp, igmp, igp, ip, ipv6, ipv6-frag, ipv6-icmp, ipv6-no-nxt, ipv6-opts, ipv6-route, isis, iso-ip, l2tp, ospf-igp, pim, pnni, ptp, rdp, rsvp, stp, tcp, udp, vrrp

**Values** The following values apply to the 7450 ESS:  
 keywords: none, crtp, crudp, egp, eigrp, encap, ether-ip, gre, icmp, idrp, igmp, igp, ip, ipv6, ipv6-frag, ipv6-icmp, ipv6-no-nxt, ipv6-opts, ipv6-route, isis, iso-ip, l2tp, ospf-igp, pim, pnni, ptp, rdp, rsvp, stp, tcp, udp, vrrp  
 \* — udp/tcp wildcard

**Table 29: IP Protocol Names**

| Protocol | Protocol ID | Description                                                 |
|----------|-------------|-------------------------------------------------------------|
| icmp     | 1           | Internet Control Message                                    |
| igmp     | 2           | Internet Group Management                                   |
| ip       | 4           | IP in IP (encapsulation)                                    |
| tcp      | 6           | Transmission Control                                        |
| egp      | 8           | Exterior Gateway Protocol                                   |
| igp      | 9           | any private interior gateway (used by Cisco for their IGRP) |
| udp      | 17          | User Datagram                                               |
| rdp      | 27          | Reliable Data Protocol                                      |

Table 29: IP Protocol Names (Continued)

| Protocol    | Protocol ID | Description                        |
|-------------|-------------|------------------------------------|
| ipv6        | 41          | IPv6                               |
| ipv6-route  | 43          | Routing Header for IPv6            |
| ipv6-frag   | 44          | Fragment Header for IPv6           |
| idrp        | 45          | Inter-Domain Routing Protocol      |
| rsvp        | 46          | Reservation Protocol               |
| gre         | 47          | General Routing Encapsulation      |
| ipv6-icmp   | 58          | ICMP for IPv6                      |
| ipv6-no-nxt | 59          | No Next Header for IPv6            |
| ipv6-opts   | 60          | Destination Options for IPv6       |
| iso-ip      | 80          | ISO Internet Protocol              |
| eigrp       | 88          | EIGRP                              |
| ospf-igp    | 89          | OSPF/IGP                           |
| ether-ip    | 97          | Ethernet-within-IP Encapsulation   |
| encap       | 98          | Encapsulation Header               |
| pnni        | 102         | PNNI over IP                       |
| pim         | 103         | Protocol Independent Multicast     |
| vrrp        | 112         | Virtual Router Redundancy Protocol |
| l2tp        | 115         | Layer Two Tunneling Protocol       |
| stp         | 118         | Schedule Transfer Protocol         |
| ptp         | 123         | Performance Transparency Protocol  |
| isis        | 124         | ISIS over IPv4                     |
| crtp        | 126         | Combat Radio Transport Protocol    |
| crudp       | 127         | Combat Radio User Datagram         |

match

**Syntax** match [next-header *next-header*]  
no match

**Context** config>qos>sap-ingress>ipv6-criteria>entry

## Service SAP QoS Policy Command Reference

```
config>qos>sap-egress>ipv6-criteria>entry
```

**Description** This command creates a context to configure match criteria for ingress SAP QoS policy match IPv6 criteria. When the match criteria have been satisfied the action associated with the match criteria is executed.

If more than one match criteria (within one match statement) are configured, then all criteria must be satisfied (AND function) before the action associated with the match is executed.

A **match** context can consist of multiple match criteria, but multiple **match** statements cannot be entered per entry.

It is possible that a SAP ingress policy includes the **dscp** map command, the **dot1p** map command, and an IPv6 match criteria. When multiple matches occur for the traffic, the order of precedence is used to arrive at the final action. The order of precedence is as follows:

1. 802.1p bits
2. DSCP
3. IP Quintuple or MAC headers

The **no** form of this command removes the match criteria for the *entry-id*.

**Parameters** **next-header** *next-header* — Specifies the next header to match.

On the 7750 SR and 7950 XRS, the protocol type such as TCP / UDP / OSPF is identified by its respective protocol number. Well-known protocol numbers include ICMP(1), TCP(6), UDP(17).

**Values** protocol numbers accepted in DHB: 0 to 42, 45 to 49, 52 to 59, 61 to 255

**keywords:** none, crtp, crudp, egp, eigrp, encap, ether-ip, gre, icmp, idrp, igmp, igp, ip, ipv6, ipv6-icmp, ipv6-no-nxt, isis, iso-ip, l2tp, ospf-igp, pim, pnni, ptp, rdp, rsvp, stp, tcp, udp, vrrp  
\* — udp/tcp wildcard

## match

**Syntax** **match** [frame-type {802dot3 | 802dot2-llc | 802dot2-snap | ethernet-II | atm}]  
**no match**

**Context** config>qos>sap-ingress>mac-criteria>entry

**Description** This command creates a context for entering/editing match MAC criteria for ingress SAP QoS policy match criteria. When the match criteria have been satisfied the action associated with the match criteria is executed.

If more than one match criteria (within one match statement) are configured then all criteria must be satisfied (AND function) before the action associated with the match will be executed.



A **match** context can consist of multiple match criteria, but multiple **match** statements cannot be entered per entry.

The **no** form of the command removes the match criteria for the *entry-id*.

|                   |                                                                                                                                                                                                                                                                                                                                                                                                                                                                                                                                                                                                                                                                                                                                                                                                                                                                      |
|-------------------|----------------------------------------------------------------------------------------------------------------------------------------------------------------------------------------------------------------------------------------------------------------------------------------------------------------------------------------------------------------------------------------------------------------------------------------------------------------------------------------------------------------------------------------------------------------------------------------------------------------------------------------------------------------------------------------------------------------------------------------------------------------------------------------------------------------------------------------------------------------------|
| <b>Parameters</b> | <p><b>frame-type</b> <i>keyword</i> — The <b>frame-type</b> keyword configures an Ethernet frame type or an ATM frame type to be used for the MAC filter match criteria.</p> <p><b>Default</b> 802dot3</p> <p><b>Values</b> 802dot3, 802dot2-llc, 802dot2-snap, ethernet_II, atm</p> <p><b>802dot3</b> — Specifies the frame type is Ethernet IEEE 802.3.</p> <p><b>802dot2-llc</b> — Specifies the frame type is Ethernet IEEE 802.2 LLC.</p> <p><b>802dot2-snap</b> — Specifies the frame type is Ethernet IEEE 802.2 SNAP.</p> <p><b>ethernet_II</b> — Specifies the frame type is Ethernet Type II.</p> <p><b>atm</b> — Specifies the frame type as ATM cell. The user is not allowed to configure entries with frame type of atm and a frame type of other supported values in the same QoS policy. This parameter applies only to the 7750 SR ad 7950 XRS.</p> |
|-------------------|----------------------------------------------------------------------------------------------------------------------------------------------------------------------------------------------------------------------------------------------------------------------------------------------------------------------------------------------------------------------------------------------------------------------------------------------------------------------------------------------------------------------------------------------------------------------------------------------------------------------------------------------------------------------------------------------------------------------------------------------------------------------------------------------------------------------------------------------------------------------|

## atm-vci

|                    |                                                                                                                                               |
|--------------------|-----------------------------------------------------------------------------------------------------------------------------------------------|
| <b>Syntax</b>      | <p><b>atm-vci</b> <i>vci-value</i></p> <p><b>no atm-vci</b></p>                                                                               |
| <b>Context</b>     | config>qos>sap-ingress>mac-criteria>entry>match                                                                                               |
| <b>Description</b> | <p>This command configures a VCI based filter entry in the SAP ingress QoS policy. This command applies only to the 7450 ESS and 7750 SR.</p> |

This new criterion has only take affect when applied to a VPI SAP of an apipe VLL service of type atm-vcpc. The application of this criterion to the ATM SAP of any other ATM VLL service, any other VLL service, VPLS service, or IES/VP RN service has no effect.

The user is not allowed to configure a MAC matching criterion other than atm-vci once a MAC criteria filter entry that includes the frame type of atm has been configured.

When the policy is applied to the ingress ATM VPI SAP of an atm-vcpc VLL service and a received packet matches the VCI value configured in the atm-vci parameter, it is assigned the FC in the fc option of the action part of the filter. This determines which forwarding class queue this packet will be stored. If the user entered a priority value in the priority option, it is ignored as the priority and profile of ATM VLL service packets is solely determined based on the ATM conformance definition configured in the ATM QoS traffic descriptor profile applied to this ATM SAP.

On egress ATM SAP, the Q-chip will queue the packet on the egress SAP queue corresponding to the packet's FC and forwards the packet to the ATM MDA (CMA). The ATM MDA (CMA) stores the individual cells it in the VP queue corresponding to the SAP.

## Service SAP QoS Policy Command Reference

It is strongly recommended that the user does not enable cell-concatenation on the spoke-SDP when a VCI QoS filter is applied to the SAP. The filter will match against the VCI in the header of the first cell in the concatenated packet. Cell concatenation is disabled by default on a spoke-sdp of all ATM VLL service types.

The **no** form of this command removes the VCI value as the match criterion.

**Parameters** *vci-value* — The value of the VCI field in the received ATM cell header.  
**Values** 1, 2, 5 to 65535

## IP QoS Policy Match Commands

### dscp

**Syntax** **dscp**  
**no dscp**

**Context** config>qos>sap-ingress>ip-criteria>entry>match  
config>qos>sap-egress>ip-criteria>entry>match  
config>qos>sap-ingress>ipv6-criteria>entry>match  
config>qos>sap-egress>ipv6-criteria>entry>match

**Description** This command configures a DiffServ Code Point (DSCP) code point to be used as a SAP QOS policy match criterion.  
  
The **no** form of this command removes the DSCP match criterion.

**Default** none

**Parameters** *dscp-name* — Specifies a dscp name that has been previously mapped to a value using the **dscp-name** command. The DiffServ code point can only be specified by its name.  
**Values** be, cp1, cp2, cp3, cp4, cp5, cp6, cp7, cs1, cp9, af11, cp11, af12, cp13, af13, cp15, cs2, cp17, af21, cp19, af22, cp21, af23, cp23, cs3, cp25, af31, cp27, af32, cp29, af33, cp31, cs4, cp33, af41, cp35, af42, cp37, af43, cp39, cs5, cp41, cp42, cp43, cp44, cp45, ef, cp47, nc1, cp49, cp50, cp51, cp52, cp53, cp54, cp55, nc2, cp57, cp58, cp59, cp60, cp61, cp62, cp63

### hsmda

**Syntax** **hsmda**

**Context** config>qos>sap-egress>fc

**Description** This command defines how packets matching the forwarding class will be mapped to an HSMDA queue ID. The SAP QoS policies simultaneously support both standard service queue mappings and ESDMA queue mappings for the same forwarding class and the `hsmda` node is used to separate the HSMDA mappings from the standard mappings. This allows the same QoS policy to be used on a standard MDA attached SAP and an HSMDA attached SAP.

## queue

**Syntax** `queue queue-id`  
`no queue`

**Context** `config>qos>sap-egress>fc>hsmda`

**Description** This command specifies the HSMDA queue mapping for all packets in point-to-point services and unicast destined packets in multipoint services. Point-to-point services include `epipe` and other VLL type services. Multipoint services include IES, VPLS and VPRN services. The `queue` command does not apply to multicast, broadcast or unknown unicast packets within multipoint services (the `multicast`, `broadcast` and `unknown` commands must be used to define the queue mapping for non-unicast packets within a forwarding class). For `Epipes`, the `queue queue-id` mapping applies to all packets, regardless of the packets destination MAC address.

Each forwarding class has a default queue ID based on the intrinsic hierarchy between the forwarding classes as represented in [Table 30](#). Executing the `queue` command within the HSMDA context of a forwarding class with a different queue ID than the default overrides the default mapping. Multiple forwarding classes may be mapped to the same HSMDA queue ID.

**Table 30: Default FC HSMDA Queue ID Mappings**

| Forwarding Class | Default HSMDA Queue ID |
|------------------|------------------------|
| NC               | queue 8                |
| H1               | queue 7                |
| EF               | queue 6                |
| H2               | queue 5                |
| L1               | queue 4                |
| AF               | queue 3                |
| L2               | queue 2                |
| BE               | queue 1                |

[Table 31](#) presents the way that packets are mapped to queues based on the type of service and the various forwarding types.

**Table 31: Ingress HSMDA Queue Mapping Behavior Based on Forwarding Type**

| Queue Mappings For Each Forwarding Type |                             |                           |                           |                                            |
|-----------------------------------------|-----------------------------|---------------------------|---------------------------|--------------------------------------------|
| Service Type                            | Queue                       | Broadcast                 | Multicast                 | Unknown                                    |
| Epipe                                   | All packets matching the FC | None                      | None                      | None                                       |
| IES                                     | All packets matching the FC | Packets with Broadcast DA | IP Multicast Packets      | None                                       |
| VPLS                                    | All packets matching the FC | Packets with Broadcast DA | Packets with Multicast DA | Packets with Unicast DA but Unknown in FIB |
| VPRN                                    | All packets matching the FC | Packets with Broadcast DA | IP Multicast Packets      | None                                       |

The forwarding class queue mappings may be modified at anytime. The sub-forwarding classes inherit the parent forwarding classes queue mappings.

The no form of the command returns the HSMDA queue mapping for queue to the default mapping for the forwarding class.

**Parameters** *queue-id* — Configures a specific HSMDA queue.

**Values**

- 1 to 8
- BE Default: 1
- L2 Default: 2
- AF Default: 3
- L1 Default: 4
- H2 Default: 5
- EF Default: 6
- H1 Default: 7
- NC Default: 8

**mbs**

**Syntax** **mbs** {*size* [bytes | kilobytes] | default}  
**no mbs**

**Context** config>qos>sap-egress>hsmda-queues>queues

**Description** This command is used to configure the policer's PIR leaky bucket's high priority violate threshold. The **high-prio-only** command is applied to the MBS value to derive the bucket's low priority violate threshold. For egress, trusted in-profile packets and untrusted high priority packets use the policer's high priority violate threshold while trusted out-of-profile and untrusted low priority packets use the policer's low priority violate threshold. At egress, in-profile packets use the policer's high priority violate threshold and out-of-profile packets use the policer's low priority violate threshold.

The PIR bucket's violate threshold represent the maximum burst tolerance allowed by the policer. If the policer's offered rate is equal to or less than the policer's defined rate, the PIR bucket depth hovers around the 0 depth with spikes up to the maximum packet size in the offered load. If the offered rate increases beyond the metering rate, the amount of data allowed above the rate is capped by the threshold. The low priority violate threshold provides a smaller burst size for the lower priority traffic associated with the policer. Since all lower priority traffic is discarded at the lower burst tolerance size, the remaining burst tolerance defined by **high-prio-only** is available for the higher priority traffic.

The policer's mbs size defined in the QoS policy may be overridden on an sla-profile or SAP where the policy is applied.

The no form of this command returns the policer to its default MBS size.

**Default** None

**Parameters** *size* [**bytes** | **kilobytes**] — The *size* parameter is required when specifying **mbs** and is expressed as an integer representing the required size in either bytes or kilobytes. The default is kilobytes. The optional **byte** and **kilobyte** keywords are mutually exclusive and are used to explicitly define whether size represents bytes or kilobytes.

**bytes** — When **byte** is defined, the value given for size is interpreted as the queue's MBS value given in bytes.

**kilobytes** — When **kilobytes** is defined, the value is interpreted as the queue's MBS value given in kilobytes.

**Values** 1 to 39321600

**Default** kilobyte

## dst-ip

**Syntax** **dst-ip** {*ip-address/mask* | *ip-address ipv4-address-mask* | **ip-prefix-list** *prefix-list-name*}  
**dst-ip** {*ipv6-address/prefix-length* | *ipv6-address ipv6-address-mask*}  
**no dst-ip**

**Context** config>qos>sap-ingress>ip-criteria>entry>match  
 config>qos>sap-egress>ip-criteria>entry>match  
 config>qos>sap-ingress>ipv6-criteria>entry>match  
 config>qos>sap-egress>ipv6-criteria>entry>match

**Description** This command configures a destination address range to be used as a SAP QoS policy match criterion.

## Service SAP QoS Policy Command Reference

To match on the IPv4 or IPv6 destination address, specify the address and its associated mask, e.g., 10.1.0.0/16. The conventional notation of 10.1.0.0 255.255.0.0 can also be used for IPv4.

The **no** form of this command removes the destination IPv4 or IPv6 address match criterion.

**Default** No destination IP match criteria

**Parameters** *ip-address* — Specifies the destination IPv4 address specified in dotted decimal notation.

**Values** ip-address: a.b.c.d

*mask* — Specify the length in bits of the subnet mask.

**Values** 1 to 32

*ipv4-address-mask* — Specify the subnet mask in dotted decimal notation.

**Values** a.b.c.d (dotted quad equivalent of mask length)

**ip-prefix-list** — creates a list of IPv4 prefixes for match criteria in QoS policies. An ip-prefix-list must contain only IPv4 address prefixes.

*prefix-list-name* — A string of up to 32 characters of printable ASCII characters. If special characters are used, the string must be enclosed within double quotes.

*ipv6-address* — The IPv6 prefix for the IP match criterion in hex digits (applies to the 7750 SR and 7950 XRS).

**Values** ipv6-address x:x:x:x:x:x:x (eight 16-bit pieces)  
x:x:x:x:x::d.d.d.d  
x: [0 to FFFF]H  
d: [0 to 255]D

*prefix-length* — The IPv6 prefix length for the ipv6-address expressed as a decimal integer (applies to the 7750 SR and 7950 XRS).

**Values** 1 to 128

*mask* — Eight 16-bit hexadecimal pieces representing bit match criteria.

**Values** x:x:x:x:x:x:x (eight 16-bit pieces)

## dst-port

**Syntax** **dst-port** {lt | gt | eq} *dst-port-number*  
**dst-port range** *start end*  
**no dst-port**

**Context** config>qos>sap-ingress  
config>qos>sap-ingress>ip-criteria>entry>match  
config>qos>sap-egress>ip-criteria>entry>match  
config>qos>sap-ingress>ipv6-criteria>entry>match  
config>qos>sap-egress>ipv6-criteria>entry>match

|                    |                                                                                                                                                                                                                                                                                                                                                                                                                                                                                                            |
|--------------------|------------------------------------------------------------------------------------------------------------------------------------------------------------------------------------------------------------------------------------------------------------------------------------------------------------------------------------------------------------------------------------------------------------------------------------------------------------------------------------------------------------|
| <b>Description</b> | This command configures a destination TCP or UDP port number or port range for a SAP QoS policy match criterion.<br><br>The <b>no</b> form of this command removes the destination port match criterion.                                                                                                                                                                                                                                                                                                   |
| <b>Default</b>     | none                                                                                                                                                                                                                                                                                                                                                                                                                                                                                                       |
| <b>Parameters</b>  | <b>lt   gt   eq</b> <i>dst-port-number</i> — The TCP or UDP port numbers to match specified as less than ( <b>lt</b> ), greater than ( <b>gt</b> ) or equal to ( <b>eq</b> ) to the destination port value specified as a decimal integer.<br><br><b>Values</b> 1 to 65535 (decimal)<br><br><b>range</b> <i>start end</i> — The range of TCP or UDP port values to match specified as between the <i>start</i> and <i>end</i> destination port values inclusive.<br><br><b>Values</b> 1 to 65535 (decimal) |

## fragment

|                    |                                                                                                                                                                                                                                                                                                                                                                                                                                      |
|--------------------|--------------------------------------------------------------------------------------------------------------------------------------------------------------------------------------------------------------------------------------------------------------------------------------------------------------------------------------------------------------------------------------------------------------------------------------|
| <b>Syntax</b>      | <b>fragment {true   false}</b><br><b>no fragment</b>                                                                                                                                                                                                                                                                                                                                                                                 |
| <b>Context</b>     | config>qos>sap-ingress>ip-criteria>entry>match<br>config>qos>sap-egress>ip-criteria>entry>match                                                                                                                                                                                                                                                                                                                                      |
| <b>Description</b> | This command configures fragmented or non-fragmented IP packets as a SAP QoS policy match criterion.<br><br>The <b>no</b> form of this command removes the match criterion and matches all packets regardless of whether they are fragmented or not.                                                                                                                                                                                 |
| <b>Default</b>     | no fragment                                                                                                                                                                                                                                                                                                                                                                                                                          |
| <b>Parameters</b>  | <b>true</b> — Configures a match on all fragmented IP packets. A match will occur for all packets that have either the MF (more fragment) bit set OR have the Fragment Offset field of the IP header set to a non-zero value.<br><br><b>false</b> — Configures a match on all non-fragmented IP packets. Non-fragmented IP packets are packets that have the MF bit set to zero and have the Fragment Offset field also set to zero. |

## fragment

|                    |                                                                                                                |
|--------------------|----------------------------------------------------------------------------------------------------------------|
| <b>Syntax</b>      | <b>fragment {true   false   first-only   non-first-only}</b><br><b>no fragment</b>                             |
| <b>Context</b>     | config>qos>sap-ingress>ipv6-criteria>entry>match                                                               |
| <b>Description</b> | This command configures fragmented or non-fragmented IPv6 packets as a SAP ingress QoS policy match criterion. |

## Service SAP QoS Policy Command Reference

The **no** form of this command removes the match criterion and matches all packets regardless of whether they are fragmented or not.

**Default** no fragment

**Parameters** **true** — Specifies to match on all fragmented IPv6 packets. A match will occur for all packets that contain an IPv6 Fragmentation Extension Header.

**false** — Specifies to match on all non-fragmented IP packets. Non-fragmented IPv6 packets are packets that do not contain an IPv6 Fragmentation Extension Header.

**first-only** — Matches if a packet is an initial fragment of the fragmented IPv6 packet.

**non-first-only** — Matches if a packet is a non-initial fragment of the fragmented IPv6 packet.

### src-ip

**Syntax** **src-ip** {*ip-address/mask* | **ip-address** *ipv4-address-mask* | **ip-prefix-list** *prefix-list-name*}  
**src-ip** {*ipv6-address/prefix-length* | **ipv6-address** *ipv6-address-mask*}  
**no src-ip**

**Context** config>qos>sap-ingress>ip-criteria>entry>match  
config>qos>sap-egress>ip-criteria>entry>match  
config>qos>sap-ingress>ipv6-criteria>entry>match  
config>qos>sap-egress>ipv6-criteria>entry>match

**Description** This command configures a source IPv4 or IPv6 address range to be used as an SAP QoS policy match criterion.

To match on the source IPv4 or IPv6 address, specify the address and its associated mask, e.g. 10.1.0.0/16. The conventional notation of 10.1.0.0 255.255.0.0 can also be used for IPv4.

The **no** form of the command removes the source IPv4 or IPv6 address match criterion.

**Default** No source IP match criterion.

**Parameters** *ip-address* — Specifies the source IPv4 address specified in dotted decimal notation.

**Values** ip-address: a.b.c.d

*mask* — Specifies the length in bits of the subnet mask.

**Values** 1 to 32

*ipv4-address-mask* — Specifies the subnet mask in dotted decimal notation.

**Values** a.b.c.d (dotted quad equivalent of mask length)

**ip-prefix-list** — creates a list of IPv4 prefixes for match criteria in QoS policies. An ip-prefix-list must contain only IPv4 address prefixes.

*prefix-list-name* — A string of up to 32 characters of printable ASCII characters. If special characters are used, the string must be enclosed within double quotes.



*ipv6-address* — Specifies the IPv6 prefix for the IP match criterion in hex digits.

**Values**     *ipv6-address*: x:x:x:x:x:x:x (eight 16-bit pieces)  
 x:x:x:x:x:x:d.d.d.d  
 x: [0 to FFFF]H  
 d: [0 to 255]D

*prefix* — Specifies the IPv6 prefix length for the *ipv6-address* expressed as a decimal integer.

**Values**     1 to 128

*mask* — Specifies the eight 16-bit hexadecimal pieces representing bit match criteria.

**Values**     x:x:x:x:x:x:x (eight 16-bit pieces)

## src-port

|                    |                                                                                                                                                                                                                                                                                                                                                                                                                                                                                                                |
|--------------------|----------------------------------------------------------------------------------------------------------------------------------------------------------------------------------------------------------------------------------------------------------------------------------------------------------------------------------------------------------------------------------------------------------------------------------------------------------------------------------------------------------------|
| <b>Syntax</b>      | <b>src-port</b> { <b>lt</b>   <b>gt</b>   <b>eq</b> } <i>src-port-number</i><br><b>src-port range</b> <i>start end</i><br><b>no src-port</b>                                                                                                                                                                                                                                                                                                                                                                   |
| <b>Context</b>     | config>qos>sap-ingress>ip-criteria>entry>match<br>config>qos>sap-egress>ip-criteria>entry>match<br>config>qos>sap-ingress>ipv6-criteria>entry>match                                                                                                                                                                                                                                                                                                                                                            |
| <b>Description</b> | This command configures a source TCP or UDP port number or port range for a SAP QoS policy match criterion.<br><br>The <b>no</b> form of this command removes the source port match criterion.                                                                                                                                                                                                                                                                                                                 |
| <b>Default</b>     | No <i>src-port</i> match criterion.                                                                                                                                                                                                                                                                                                                                                                                                                                                                            |
| <b>Parameters</b>  | <b>lt</b>   <b>gt</b>   <b>eq</b> <i>src-port-number</i> — The TCP or UDP port numbers to match specified as less than ( <b>lt</b> ), greater than ( <b>gt</b> ) or equal to ( <b>eq</b> ) to the source port value specified as a decimal integer.<br><br><b>Values</b> 1 to 65535 (decimal)<br><br><b>range</b> <i>start end</i> — The range of TCP or UDP port values to match specified as between the <i>start</i> and <i>end</i> source port values inclusive.<br><br><b>Values</b> 1 to 65535 (decimal) |

## vxlan-vni

|                |                                                                                                           |
|----------------|-----------------------------------------------------------------------------------------------------------|
| <b>Syntax</b>  | <b>vxlan-vni</b> [ <b>eq</b> <i>vxlan-vni-id</i>   <b>range</b> <i>start end</i> ]<br><b>no vxlan-vni</b> |
| <b>Context</b> | config>qos>sap-ingress>ip-criteria>entry>match<br>config>qos>sap-ingress>ipv6-criteria>entry>match        |

## Service SAP QoS Policy Command Reference

|                    |                                                                                                                                                                                                                                                                                                                                                                                                                                                                                                                                                                                                                                                                                                                                                                                                                                                     |
|--------------------|-----------------------------------------------------------------------------------------------------------------------------------------------------------------------------------------------------------------------------------------------------------------------------------------------------------------------------------------------------------------------------------------------------------------------------------------------------------------------------------------------------------------------------------------------------------------------------------------------------------------------------------------------------------------------------------------------------------------------------------------------------------------------------------------------------------------------------------------------------|
| <b>Description</b> | <p>This command configures a VXLAN or VXLAN GPE VNI to be used as a SAP QoS policy match criterion. A range of VNIs to be matched can be specified by including the keyword <b>range</b> with a <i>start</i> and <i>end</i> VNI. This command requires the <b>type</b> to be set to <b>vxlan-vni</b> in the related <b>ip-criteria</b> or <b>ipv6-criteria</b> context.</p> <p>See <a href="#">Virtual Network Identifier (VNI) Classification</a> for the list of restrictions for this command.</p>                                                                                                                                                                                                                                                                                                                                               |
| <b>Default</b>     | n/a                                                                                                                                                                                                                                                                                                                                                                                                                                                                                                                                                                                                                                                                                                                                                                                                                                                 |
| <b>Parameters</b>  | <p><b>eq</b> <i>vxlan-vni-id</i> — Specifies the VXLAN or VXLAN GPE VNI to be matched in the SAP ingress QoS classification. The VNI can be specified in any of the available formats but is always shown in decimal.</p> <p><b>Values</b>      1 to 16777215 (Decimal)<br/>                  0x1..0xFFFFFFFF (Hexadecimal)<br/>                  [0b1..0b11111111111111111111111111111111] (Binary)</p> <p><b>range</b> <i>start end</i> — Identifies a range of VNIs to be used as matching criteria. The <i>start</i> value must be lower than the <i>end</i> value. The VNI can be specified in any of the available formats but is always shown in decimal.</p> <p><b>Values</b>      1 to 16777215 (Decimal)<br/>                  0x1..0xFFFFFFFF (Hexadecimal)<br/>                  [0b1..0b11111111111111111111111111111111] (Binary)</p> |

## Service Ingress MAC QoS Policy Match Commands

### dot1p

|                    |                                                                                                                                                                                                |
|--------------------|------------------------------------------------------------------------------------------------------------------------------------------------------------------------------------------------|
| <b>Syntax</b>      | <b>dot1p</b> <i>dot1p-value</i> [ <i>dot1p-mask</i> ]<br><b>no dot1p</b>                                                                                                                       |
| <b>Context</b>     | config>qos>sap-ingress>mac-criteria>entry                                                                                                                                                      |
| <b>Description</b> | <p>The IEEE 802.1p value to be used as the match criterion.</p> <p>Use the <b>no</b> form of this command to remove the dot1p value as the match criterion.</p>                                |
| <b>Default</b>     | None                                                                                                                                                                                           |
| <b>Parameters</b>  | <p><i>dot1p-value</i> — Enter the IEEE 802.1p value in decimal.</p> <p><b>Values</b>      0 to 7</p> <p><i>dot1p-mask</i> — This 3-bit mask can be configured using the following formats:</p> |

| Format Style | Format Syntax | Example |
|--------------|---------------|---------|
| Decimal      | D             | 4       |

| Format Style | Format Syntax | Example |
|--------------|---------------|---------|
| Hexadecimal  | 0xH           | 0x4     |
| Binary       | 0bBBB         | 0b100   |

To select a range from 4 up to 7 specify *p-value* of 4 and a *mask* of 0b100 for value and mask.

**Default** 7 (decimal) (exact match)

**Values** 1 to 7 (decimal)

## dsap

**Syntax** **dsap** *dsap-value* [*dsap-mask*]  
**no dsap**

**Context** config>qos>sap-ingress>mac-criteria>entry

**Description** Configures an Ethernet 802.2 LLC DSAP value or range for an ingress SAP QoS policy match criterion.

This is a one-byte field that is part of the 802.2 LLC header of the IEEE 802.3 Ethernet Frame.

The snap-pid field, etype field, ssap and dsap fields are mutually exclusive and cannot be part of the same match criteria.

Use the no form of this command to remove the dsap value as the match criterion.

**Default** None

**Parameters** *dsap-value* — The 8-bit dsap match criteria value in hexadecimal.

**Values** 0x00 to 0xFF (hex)

*dsap-mask* — This is optional and can be used when specifying a range of dsap values to use as the match criteria.

This 8 bit mask can be configured using the following formats:

| Format Style | Format Syntax | Example    |
|--------------|---------------|------------|
| Decimal      | DDD           | 240        |
| Hexadecimal  | 0xHH          | 0xF0       |
| Binary       | 0BBBBBBBB     | 0b11110000 |

**Default** FF (hex) (exact match)

**Values** 0x00 to 0xFF (hex)

## Service SAP QoS Policy Command Reference

### dst-mac

| <b>Syntax</b>      | <b>dst-mac</b> <i>ieee-address</i> [ <i>ieee-address-mask</i> ]<br><b>no dst-mac</b>                                                                                                                                                                                                                                                                                                                                                                                                                                                                                                                                                                                                                                                                                                                                                                                                                                                   |                  |               |         |         |                  |                 |             |                  |                  |        |              |                |
|--------------------|----------------------------------------------------------------------------------------------------------------------------------------------------------------------------------------------------------------------------------------------------------------------------------------------------------------------------------------------------------------------------------------------------------------------------------------------------------------------------------------------------------------------------------------------------------------------------------------------------------------------------------------------------------------------------------------------------------------------------------------------------------------------------------------------------------------------------------------------------------------------------------------------------------------------------------------|------------------|---------------|---------|---------|------------------|-----------------|-------------|------------------|------------------|--------|--------------|----------------|
| <b>Context</b>     | config>qos>sap-ingress>mac-criteria>entry                                                                                                                                                                                                                                                                                                                                                                                                                                                                                                                                                                                                                                                                                                                                                                                                                                                                                              |                  |               |         |         |                  |                 |             |                  |                  |        |              |                |
| <b>Description</b> | Configures a destination MAC address or range to be used as a Service Ingress QoS policy match criterion.<br><br>The no form of this command removes the destination mac address as the match criterion.                                                                                                                                                                                                                                                                                                                                                                                                                                                                                                                                                                                                                                                                                                                               |                  |               |         |         |                  |                 |             |                  |                  |        |              |                |
| <b>Default</b>     | none                                                                                                                                                                                                                                                                                                                                                                                                                                                                                                                                                                                                                                                                                                                                                                                                                                                                                                                                   |                  |               |         |         |                  |                 |             |                  |                  |        |              |                |
| <b>Parameters</b>  | <i>ieee-address</i> — The MAC address to be used as a match criterion.<br><br><b>Values</b> HH:HH:HH:HH:HH:HH or HH-HH-HH-HH-HH-HH where H is a hexadecimal digit<br><br><i>ieee-address-mask</i> — A 48-bit mask to match a range of MAC address values.<br>This 48-bit mask can be configured using the following formats: <table><thead><tr><th>Format Style</th><th>Format Syntax</th><th>Example</th></tr></thead><tbody><tr><td>Decimal</td><td>DDDDDDDDDDDDDDDD</td><td>281474959933440</td></tr><tr><td>Hexadecimal</td><td>0xHHHHHHHHHHHHHH</td><td>0xFFFFFFFF000000</td></tr><tr><td>Binary</td><td>0BBBBBBB...B</td><td>0b11110000...B</td></tr></tbody></table><br>All packets with a source MAC OUI value of 00-03-FA subject to a match condition should be specified as: 0003FA000000 0xFFFFFFFF000000<br><b>Default</b> 0xFFFFFFFFFFFF (hex) (exact match)<br><b>Values</b> 0x0000000000000000 to 0xFFFFFFFFFFFF (hex) | Format Style     | Format Syntax | Example | Decimal | DDDDDDDDDDDDDDDD | 281474959933440 | Hexadecimal | 0xHHHHHHHHHHHHHH | 0xFFFFFFFF000000 | Binary | 0BBBBBBB...B | 0b11110000...B |
| Format Style       | Format Syntax                                                                                                                                                                                                                                                                                                                                                                                                                                                                                                                                                                                                                                                                                                                                                                                                                                                                                                                          | Example          |               |         |         |                  |                 |             |                  |                  |        |              |                |
| Decimal            | DDDDDDDDDDDDDDDD                                                                                                                                                                                                                                                                                                                                                                                                                                                                                                                                                                                                                                                                                                                                                                                                                                                                                                                       | 281474959933440  |               |         |         |                  |                 |             |                  |                  |        |              |                |
| Hexadecimal        | 0xHHHHHHHHHHHHHH                                                                                                                                                                                                                                                                                                                                                                                                                                                                                                                                                                                                                                                                                                                                                                                                                                                                                                                       | 0xFFFFFFFF000000 |               |         |         |                  |                 |             |                  |                  |        |              |                |
| Binary             | 0BBBBBBB...B                                                                                                                                                                                                                                                                                                                                                                                                                                                                                                                                                                                                                                                                                                                                                                                                                                                                                                                           | 0b11110000...B   |               |         |         |                  |                 |             |                  |                  |        |              |                |

### etype

|                    |                                                                                                                                                                                                                                                                                                                                                                                                                                                                                      |
|--------------------|--------------------------------------------------------------------------------------------------------------------------------------------------------------------------------------------------------------------------------------------------------------------------------------------------------------------------------------------------------------------------------------------------------------------------------------------------------------------------------------|
| <b>Syntax</b>      | <b>etype</b> <i>etype-value</i><br><b>no etype</b>                                                                                                                                                                                                                                                                                                                                                                                                                                   |
| <b>Context</b>     | config>qos>sap-ingress>mac-criteria>entry                                                                                                                                                                                                                                                                                                                                                                                                                                            |
| <b>Description</b> | Configures an Ethernet type II value to be used as a service ingress QoS policy match criterion.<br><br>The Ethernet type field is a two-byte field used to identify the protocol carried by the Ethernet frame. For e.g. 0800 is used to identify the IP v4 packets.<br><br>The Ethernet type field is used by the Ethernet version-II frames. IEEE 802.3 Ethernet frames do not use the type field. For IEEE 802.3 frames use the dsap, ssap or snap-pid fields as match criteria. |

The snap-pid field, etype field, ssap and dsap fields are mutually exclusive and cannot be part of the same match criteria.

The no form of this command removes the previously entered etype field as the match criteria.

**Default** None

**Parameters** *etype-value* — The Ethernet type II frame Ethertype value to be used as a match criterion expressed in hexadecimal.

**Values** 0x0600 to 0xFFFF

### inner-tag

**Syntax** **inner-tag** *value* [*vid-mask*]  
**no inner-tag**

**Context** config>qos>sap-ingress>mac-criteria>entry

**Description** This command configures the matching of the second tag that is carried transparently through the service. The inner-tag on ingress is the second tag on the frame if there are no service delimiting tags. Inner tag is the second tag before any service delimiting tags on egress but is dependent in the ingress configuration and may be set to 0 even in cases where additional tags are on the frame. This allows matching VLAN tags for explicit filtering or QoS setting when using default or null encapsulations.

The inner-tag is not applicable in ingress on dot1Q SAPs. The inner-tag may be populated on egress depending on the ingress SAP type.

On QinQ SAPs of null and default that do not strip tags inner-tag will contain the second tag (which is still the second tag carried transparently through the service.) On ingress SAPs that strip any tags, inner-tag will contain 0 even if there are more than 2 tags on the frame.

The optional vid\_mask is defaulted to 4095 (exact match) but may be specified to allow pattern matching. The masking operation is ((value and vid-mask) == (tag and vid-mask)). A value of 6 and a mask of 7 would match all VIDs with the lower 3 bits set to 6.

For QoS, the VID type cannot be specified on the default QoS policy.

The default vid-mask is set to 4095 for exact match.

### outer-tag

**Syntax** **outer-tag** *value* [*vid-mask*]  
**no outer-tag**

**Context** config>qos>sap-ingress>mac-criteria>entry

## Service SAP QoS Policy Command Reference

**Description** This command configures the matching of the first tag that is carried transparently through the service. Service delimiting tags are stripped from the frame and outer tag on ingress is the first tag after any service delimiting tags. Outer tag is the first tag before any service delimiting tags on egress. This allows matching VLAN tags for explicit filtering or QoS setting when using default or null encapsulations.

On dot1Q SAPs outer-tag is the only tag that can be matched. On dot1Q SAPs with exact match (sap 2/1/1:50) the outer-tag will be populated with the next tag that is carried transparently through the service or 0 if there is no additional VLAN tags on the frame.

On QinQ SAPs that strip a single service delimiting tag outer-tag will contain the next tag (which is still the first tag carried transparently through the service.) On SAPs with two service delimiting tags (two tags stripped) outer-tag will contain 0 even if there are more than 2 tags on the frame.

The optional *vid\_mask* is defaulted to 4095 (exact match) but may be specified to allow pattern matching. The masking operation is ((value & vid-mask) == (tag & vid-mask)). A value of 6 and a mask of 7 would match all VIDs with the lower 3 bits set to 6.

For QoS, the VID type cannot be specified on the default QoS policy.

The default vid-mask is set to 4095 for exact match.

### snap-oui

**Syntax** **snap-oui {zero | non-zero}**  
**no snap-oui**

**Context** config>qos>sap-ingress>mac-criteria>entry

**Description** Configures an IEEE 802.3 LLC SNAP Ethernet frame OUI zero or non-zero value to be used as a service ingress QoS policy match criterion.

The **no** form of this command removes the criterion from the match criteria.

**Default** none

**Parameters** **zero** — Specifies to match packets with the three-byte OUI field in the SNAP-ID set to zero.  
**non-zero** — Specifies to match packets with the three-byte OUI field in the SNAP-ID not set to zero.

### snap-pid

**Syntax** **snap-pid snap-pid**  
**no snap-pid**

**Context** config>qos>sap-ingress>mac-criteria>entry

**Description** Configures an IEEE 802.3 LLC SNAP Ethernet frame PID value to be used as a service ingress QoS policy match criterion.

This is a two-byte protocol id that is part of the IEEE 802.3 LLC SNAP Ethernet Frame that follows the three-byte OUI field.

The snap-pid field, etype field, ssap and dsap fields are mutually exclusive and cannot be part of the same match criteria.

The **snap-pid** match criteria is independent of the OUI field within the SNAP header. Two packets with different three-byte OUI fields but the same PID field will both match the same policy entry based on a snap-pid match criteria.

The **no** form of this command removes the snap-pid value as the match criteria.

**Default** none

**Parameters** *smap-pid* — The two-byte snap-pid value to be used as a match criterion in hexadecimal.

**Values** 0x0000 to 0xFFFF

## src-mac

**Syntax** **src-mac** *ieee-address* [*ieee-address-mask*]  
**no src-mac**

**Context** config>qos>sap-ingress>mac-criteria>entry

**Description** This command configures a source MAC address or range to be used as a service ingress QoS policy match criterion.

The **no** form of this command removes the source mac as the match criteria.

**Default** none

**Parameters** *ieee-address* — Enter the 48-bit IEEE mac address to be used as a match criterion.

**Values** HH:HH:HH:HH:HH:HH or HH-HH-HH-HH-HH-HH where H is a hexadecimal digit

*ieee-address-mask* — This 48-bit mask can be configured using:

This 48 bit mask can be configured using the following formats

| Format Style | Format Syntax    | Example         |
|--------------|------------------|-----------------|
| Decimal      | DDDDDDDDDDDDDDDD | 281474959933440 |
| Hexadecimal  | 0xHHHHHHHHHHHHHH | 0x0FFFFFF000000 |
| Binary       | 0bBBBBBBB...B    | 0b11110000...B  |

## Service SAP QoS Policy Command Reference

To configure all packets with a source MAC OUI value of 00-03-FA are subject to a match condition, then the entry should be specified as: 003FA000000 0xFFFFFFFF000000

**Default** 0xFFFFFFFFFFFFFF (hex) (exact match)

**Values** 0x0000000000000000 to 0xFFFFFFFFFFFFFF (hex)

### ssap

**Syntax** **ssap** *ssap-value* [*ssap-mask*]  
**no ssap**

**Context** config>qos>sap-ingress>mac-criteria>entry

**Description** This command configures an Ethernet 802.2 LLC SSAP value or range for an ingress SAP QoS policy match criterion.

This is a one-byte field that is part of the 802.2 LLC header of the IEEE 802.3 Ethernet Frame.

The snap-pid field, etype field, ssap and dsap fields are mutually exclusive and cannot be part of the same match criteria.

The **no** form of this command removes the ssap match criterion.

**Default** none

**Parameters** *ssap-value* — The 8-bit ssap match criteria value in hex.

**Values** 0x00 to 0xFF (hex)

*ssap-mask* — This is optional and can be used when specifying a range of ssap values to use as the match criteria.

This 8 bit mask can be configured using the following formats:

| Format Style | Format Syntax | Example    |
|--------------|---------------|------------|
| Decimal      | DDD           | 240        |
| Hexadecimal  | 0xHH          | 0xF0       |
| Binary       | 0BBBBBBBB     | 0b11110000 |

**Default** none

**Values** 0x00 to 0xFF



## Service Egress QoS Policy Forwarding Class Commands

fc

|                    |                                                                                                                                                                                                                                                                                                                                                                                                                                                                                                                                                                                                                                                                                                            |
|--------------------|------------------------------------------------------------------------------------------------------------------------------------------------------------------------------------------------------------------------------------------------------------------------------------------------------------------------------------------------------------------------------------------------------------------------------------------------------------------------------------------------------------------------------------------------------------------------------------------------------------------------------------------------------------------------------------------------------------|
| <b>Syntax</b>      | <b>fc</b> <i>fc-name</i><br><b>no fc</b> <i>fc-name</i>                                                                                                                                                                                                                                                                                                                                                                                                                                                                                                                                                                                                                                                    |
| <b>Context</b>     | config>qos>sap-egress                                                                                                                                                                                                                                                                                                                                                                                                                                                                                                                                                                                                                                                                                      |
| <b>Description</b> | <p>The <b>fc</b> <i>fc-name</i> node within the SAP egress QoS policy is used to contain the explicitly defined queue mapping and dot1p marking commands for <i>fc-name</i>. When the mapping for <i>fc-name</i> points to the default queue and the dot1p marking is not defined, the node for <i>fc-name</i> is not displayed in the <b>show configuration</b> or <b>save configuration</b> output unless the detail option is specified.</p> <p>The <b>no</b> form of the command removes the explicit queue mapping and dot1p marking commands for <i>fc-name</i>. The queue mapping reverts to the default queue for <i>fc-name</i> and the dot1p marking (if appropriate) uses the default of 0.</p> |
| <b>Default</b>     | none                                                                                                                                                                                                                                                                                                                                                                                                                                                                                                                                                                                                                                                                                                       |
| <b>Parameters</b>  | <p><i>fc-name</i> — This parameter specifies the forwarding class queue mapping or dot1p marking is to be edited. The value given for <i>fc-name</i> must be one of the predefined forwarding classes in the system.</p> <p><b>Values</b>     be, l2, af, l1, h2, ef, h1, nc</p>                                                                                                                                                                                                                                                                                                                                                                                                                           |

parent-location

|                    |                                                                                                                                                                                                                                                                                                                                                                                                                                                                                                      |
|--------------------|------------------------------------------------------------------------------------------------------------------------------------------------------------------------------------------------------------------------------------------------------------------------------------------------------------------------------------------------------------------------------------------------------------------------------------------------------------------------------------------------------|
| <b>Syntax</b>      | <b>parent-location</b> { <b>default</b>   <b>sla</b> }<br><b>no parent-location</b>                                                                                                                                                                                                                                                                                                                                                                                                                  |
| <b>Context</b>     | config>qos>sap-egress                                                                                                                                                                                                                                                                                                                                                                                                                                                                                |
| <b>Description</b> | <p>This command determines the expected location of the parent schedulers for queues configured with a parent command within the sap-egress policy. All parent schedulers must be configured within a scheduler-policy applied at the location corresponding to the parent-location parameter.</p> <p>If a parent scheduler name does not exist at the specified location, the queue will not be parented and will be orphaned.</p> <p>The <b>no</b> form of the command reverts to the default.</p> |
| <b>Default</b>     | default                                                                                                                                                                                                                                                                                                                                                                                                                                                                                              |
| <b>Parameters</b>  | <p><b>default</b> — When the sap-egress policy is applied to an sla-profile for a subscriber, the parent schedulers of the queues need to be configured in the scheduler-policy applied to the subscriber's sub-profile.</p>                                                                                                                                                                                                                                                                         |

## Service SAP QoS Policy Command Reference

When the sap-egress policy is applied to a SAP, the parent schedulers of the queues need to be configured in the scheduler-policy applied to the SAP or the multi-service site.

**sla** — When the sap-egress policy is applied to an sla-profile for a subscriber, the parent schedulers of the queues need to be configured in the scheduler-policy applied to the same sla-profile.

If this parameter is configured within a sap-egress policy that is applied to any object except of the egress of an sla-profile, the configured parent schedulers will not be found and so the queues will not be parented and will be orphaned.

### policer

|                    |                                                                                                                                                                                                                                                                                                                                                                                                                                                                                                                                                                                                                                                                                                                                                                                                                                                                                                                                                                                                                                                                                                                                                                                                                                                                                                                                                                                                                                                                                                                                                                                                                                                                                                                                                                                                                                                                                                                                                                                                                                                                                                                                                                                                                                                                                                                                                                                                                                                                                                                                                                                                                                                                                       |
|--------------------|---------------------------------------------------------------------------------------------------------------------------------------------------------------------------------------------------------------------------------------------------------------------------------------------------------------------------------------------------------------------------------------------------------------------------------------------------------------------------------------------------------------------------------------------------------------------------------------------------------------------------------------------------------------------------------------------------------------------------------------------------------------------------------------------------------------------------------------------------------------------------------------------------------------------------------------------------------------------------------------------------------------------------------------------------------------------------------------------------------------------------------------------------------------------------------------------------------------------------------------------------------------------------------------------------------------------------------------------------------------------------------------------------------------------------------------------------------------------------------------------------------------------------------------------------------------------------------------------------------------------------------------------------------------------------------------------------------------------------------------------------------------------------------------------------------------------------------------------------------------------------------------------------------------------------------------------------------------------------------------------------------------------------------------------------------------------------------------------------------------------------------------------------------------------------------------------------------------------------------------------------------------------------------------------------------------------------------------------------------------------------------------------------------------------------------------------------------------------------------------------------------------------------------------------------------------------------------------------------------------------------------------------------------------------------------------|
| <b>Syntax</b>      | <b>policer</b> <i>policer-id</i> [[[ <b>port-redirect-group-queue</b> ] <b>queue</b> <i>queue-id</i> ]   <b>group</b> <i>queue-group-name</i> [ <b>instance</b> <i>instance-id</i> ] [ <b>queue</b> <i>group-queue-id</i> ]]<br><b>no policer</b>                                                                                                                                                                                                                                                                                                                                                                                                                                                                                                                                                                                                                                                                                                                                                                                                                                                                                                                                                                                                                                                                                                                                                                                                                                                                                                                                                                                                                                                                                                                                                                                                                                                                                                                                                                                                                                                                                                                                                                                                                                                                                                                                                                                                                                                                                                                                                                                                                                     |
| <b>Context</b>     | config>qos>sap-egress>fc                                                                                                                                                                                                                                                                                                                                                                                                                                                                                                                                                                                                                                                                                                                                                                                                                                                                                                                                                                                                                                                                                                                                                                                                                                                                                                                                                                                                                                                                                                                                                                                                                                                                                                                                                                                                                                                                                                                                                                                                                                                                                                                                                                                                                                                                                                                                                                                                                                                                                                                                                                                                                                                              |
| <b>Description</b> | <p>Within a sap-egress QoS policy forwarding class context, the policer command is used to map packets that match the forwarding class to the specified policer-id. The specified policer-id must already exist within the sap-egress QoS policy. The forwarding class of the packet is first discovered at ingress based on the ingress classification rules. When the packet arrives at egress, the sap-egress QoS policy may match a forwarding class reclassification rule which overrides the ingress derived forwarding class. The forwarding class context within the sap-egress QoS policy is then used to map the packet to an egress queue (using the queue <i>queue-id</i>, or port-redirect-group queue <i>queue-id</i>, or group <i>queue-group-name</i> instance <i>instance-id</i> queue <i>queue-id</i> commands) or an egress policer (<b>policer</b> <i>policer-id</i>). The queue and policer commands within the forwarding class context are mutually exclusive. By default, the forwarding class is mapped to the SAP egress default queue (queue 1). If the policer <b>policer-id</b> command is executed, any previous policer mapping or queue mapping for the forwarding class is overridden if the policer mapping is successful.</p> <p>A policer defined within the sap-egress policy is not actually created on an egress SAP or a subscriber using an sla-profile where the policy is applied until at least one forwarding class is mapped to the policer. If insufficient policer resources exist to create the policer for a SAP or subscriber or egress policing is not supported on the port associated with the SAP or subscriber, the initial forwarding class mapping will fail.</p> <p>Packets that are mapped to an egress policer that are not discarded by the policer must be placed into a default queue on the packets destination port. The system uses egress port queue groups for this purpose. An egress queue group named policer-output-queues is automatically created on each port that support egress policers. By default, the system uses the forwarding class mappings within this queue group to decide which queue within the group will receive each packet output from the policer. This default policer output queuing behavior may be overridden for non-subscriber packets by redirection to a queue group. The name and instance of the queue group to redirect to is either specified in the QoS policy itself, or the fact that a forwarding class must be redirected is simply identified in the QoS policy and the specific queue group instance is only identified at the time the QoS policy is applied:</p> |

- If the **policer** *policer-id* command is successfully executed, the default egress queuing is performed for the forwarding class using the policer-output-queues queue group and the *queue-id* within the group based on the forwarding class map from the group template
- If the **policer** *policer-id* **queue** *queue-id* command is successfully executed, the specified SAP *queue-id* within egress QoS policy is used instead of the default policer output queues.
- If the **policer** *policer-id* **port-redirect-group-queue** keyword is successfully executed, the system will map the forwarding class to the queue within the egress queue group instance specified at the time the QoS policy is applied to the SAP, using the forwarding class map from the queue group template.
- If the **policer** *policer-id* **port-redirect-group queue** *queue-id* command is successfully executed, the system will map the forwarding class to the configured *queue-id* within the egress queue group instance that is specified at the time the QoS policy is applied to the SAP (ignoring using the forwarding class map from the queue group template).
- If the **policer** *policer-id* **group** *queue-group-name* **instance** *instance-id* command is successfully executed, the system will map the forwarding class to the queue within the specified egress queue group instance using the forwarding class map from the group template.
- If the **policer** *policer-id* **group** *queue-group-name* **instance** *instance-id* **queue** *queue-id* command is successfully executed, the system will map the forwarding class to the specified *queue-id* within the specified egress queue group instance (ignoring the forwarding class map in the group template).

If the specified **group** *queue-group-name* is not defined as an egress queue-group-template, the **policer** command will fail. Further, if the specified group does not exist on the port for the SAPs or subscribers associated with the **sap-egress** QoS policy, the policer command will fail. While a group *queue-group-name* is specified in a **sap-egress** QoS policy, the groups corresponding egress template cannot be deleted. While a port egress queue group is associated with a policer instance, the port queue group cannot be deleted.

If the specified *queue-group-queue-id* is not defined in the egress *queue-group-template* *queue-group-name*, the policer command will fail. While a *queue-id* within an egress queue group template is referenced by a **sap-egress** QoS policy forwarding class policer command, the queue cannot be deleted from the queue group template.

If an egress policed packet is discarded by the egress port queue group queue, the source policer discard stats are incremented. This means that the discard counters for the policer represent both the policer discard events and the destination queue drop tail events associated with the policer.

The **no** form of this command is used to restore the mapping of the forwarding class to the default queue. If all forwarding classes have been removed from the default queue, the queue will not exist on the SAPs or subscribers associated with the QoS policy and the no policer command will cause the system to attempt to create the default queue on each object. If the system cannot create the default queue in each instance, the no policer command will fail and the forwarding class will continue its mapping to the existing *policer-id*. If the no policer command results in a policer without any current mappings, the policer will be removed from the SAPs and subscribers associated with the QoS policy. All statistics associated with the policer on each SAP and subscribers will be lost.

**Default** none

## Service SAP QoS Policy Command Reference

- Parameters** *policer-id* — When the forwarding class **policer** command is executed, a valid *policer-id* must be specified. The parameter *policer-id* references a *policer-id* that has already been created within the **sap-egress** QoS policy.
- Values** 1 to 63
- Default** none
- port-redirect-group-queue** — Used to override the forwarding class default egress queue destination to an egress port queue group. The specific egress queue group instance to use is specified at the time that the QoS policy is applied to the SAP. Therefore, this parameter is only valid if SAP based redirection is required.
- queue queue-id** — This parameter overrides the forwarding class default egress queue destination to a specified *queue-id*. If **port-redirect-group** is not configured, then this will be a local SAP queue of that *queue-id*. A queue of ID *queue-id* must exist within the egress QoS policy. If **port-redirect-group-queue** is configured then the **queue queue-id** in the egress port queue group instance is used.
- Values** 1 to 8
- Default** Derived from forwarding class assignment in queue-group definition.
- group queue-group-name** — The **group queue-group-name** is optional and is used to override the forwarding class's default egress queue destination. If the queue group-queue-id parameter is not specified, the forwarding class map within the specified group's template is used to derive which queue within the group will receive the forwarding class's packets. An egress queue group template must exist for the specified queue-group-name or the policer command will fail. The specified queue-group-name must also exist as an egress queue group on the ports where SAPs and subscribers associated with the sap-egress policy is applied or the policer command will fail.
- Values** Any qualifying egress queue group name
- Default** **policer-output-queues**
- queue group-queue-id** — The **queue group-queue-id** is optional when the group queue-group-name parameter is specified and is used to override the forwarding class mapping within the group's egress queue group template. The specified group-queue-id must exist within the group's egress queue group template or the policer command will fail.
- Values** 1 to 8
- Default** Derived from forwarding class assignment in queue-group definition
- instance instance-id** — This parameter is used to specify the specific instance of a queue group with template queue-group-name to which this queue should be redirected. This parameter is only valid for queue groups on egress ports where policy based redirection is required.
- Values** 1 to 40960
- Default** 1

## description

|                    |                                                                                                                                                                                                                                                                                                                                                                                                                                                                                                                                                                                                                                                                                                                                         |
|--------------------|-----------------------------------------------------------------------------------------------------------------------------------------------------------------------------------------------------------------------------------------------------------------------------------------------------------------------------------------------------------------------------------------------------------------------------------------------------------------------------------------------------------------------------------------------------------------------------------------------------------------------------------------------------------------------------------------------------------------------------------------|
| <b>Syntax</b>      | <b>description</b> <i>description string</i><br><b>no description</b>                                                                                                                                                                                                                                                                                                                                                                                                                                                                                                                                                                                                                                                                   |
| <b>Context</b>     | config>qos>sap-egress>policer                                                                                                                                                                                                                                                                                                                                                                                                                                                                                                                                                                                                                                                                                                           |
| <b>Description</b> | The <b>description</b> command is used to define an informational ASCII string associated with the policer control policy. The string value can be defined or changed at any time once the policy exists.<br><br>The <b>no</b> form of this command is used to remove an explicit description string from the policer.                                                                                                                                                                                                                                                                                                                                                                                                                  |
| <b>Default</b>     | <b>no description</b>                                                                                                                                                                                                                                                                                                                                                                                                                                                                                                                                                                                                                                                                                                                   |
| <b>Parameters</b>  | <i>description string</i> — The <i>description-string</i> parameter defines the ASCII description string for the policer control policy. The description string can be up to 80 characters. If the string contains spaces, it must be placed within beginning and ending double quotation marks. Beginning and ending quotation marks are not considered part of the description string. Only printable ASCII characters are allowed in the string. The sting does not need to be unique and may be repeated in the descriptions for other policer control policies or other objects. If the command is executed without the description-string present, any existing description string will be unaffected.<br><br><b>Default</b> None |

## adaptation-rule

|                    |                                                                                                                                                                                                                                                                                                                                                                                                                                                                                                                                                                                                                                                                                                                                                                                                                                                                                                                                                                                                                                                                                                                                                                                                                                                                               |
|--------------------|-------------------------------------------------------------------------------------------------------------------------------------------------------------------------------------------------------------------------------------------------------------------------------------------------------------------------------------------------------------------------------------------------------------------------------------------------------------------------------------------------------------------------------------------------------------------------------------------------------------------------------------------------------------------------------------------------------------------------------------------------------------------------------------------------------------------------------------------------------------------------------------------------------------------------------------------------------------------------------------------------------------------------------------------------------------------------------------------------------------------------------------------------------------------------------------------------------------------------------------------------------------------------------|
| <b>Syntax</b>      | <b>adaptation-rule</b> [pir { <b>max</b>   <b>min</b>   <b>closest</b> }] [cir { <b>max</b>   <b>min</b>   <b>closest</b> }]<br><b>no adaptation-rule</b>                                                                                                                                                                                                                                                                                                                                                                                                                                                                                                                                                                                                                                                                                                                                                                                                                                                                                                                                                                                                                                                                                                                     |
| <b>Context</b>     | config>qos>sap-egress>policer                                                                                                                                                                                                                                                                                                                                                                                                                                                                                                                                                                                                                                                                                                                                                                                                                                                                                                                                                                                                                                                                                                                                                                                                                                                 |
| <b>Description</b> | This command is used to define how the policer's configuration parameters are translated into the underlying hardware capabilities used to implement each policer instance. For instance, the configured rates for the policer need to be mapped to the timers and decrement granularity used by the hardware's leaky bucket functions that actually perform the traffic metering. If a rate is defined that cannot be exactly matched by the hardware, the adaptation-rule setting provides guidance for which hardware rate should be used.<br><br>The <b>max</b> keyword tells the system that the defined rate is the maximum rate that should be given to the policer. If the hardware cannot exactly match the given rate, the next lowest hardware supported rate is used.<br><br>The <b>min</b> keyword tells the system that the defined rate is the minimum rate that should be given to the policer. If the hardware cannot exactly match the given rate, the next highest hardware supported rate is used.<br><br>The <b>closest</b> keyword tells the system that the defined rate is the target rate for the policer. If the hardware cannot exactly match the given rate, the system will use the closest hardware supported rate compared to the target rate. |

## Service SAP QoS Policy Command Reference

The hardware also needs to adapt the given mbs and cbs values into the PIR bucket violate threshold (discard) and the CIR bucket exceed threshold (out-of-profile). The hardware may not have an exact threshold match which it can use. In R8.0, the system treats the mbs and cbs values as minimum threshold values.

The **no** form of this command is used to return the policer's metering and profiling hardware adaptation rules to closest.

### Parameters

**pir {max | min | closest}** — When the optional **pir** parameter is specified, the **max**, **min** or **closest** keyword qualifier must follow.

**max** — The **max** keyword is used to inform the system that the metering rate defined for the policer is the maximum allowed rate. The system will choose a hardware supported rate that is closest but not exceeding the specified rate.

**min** — The **min** keyword is used to inform the system that the metering rate defined for the policer is the minimum allowed rate. The system will choose a hardware supported rate that is closest but not lower than the specified rate.

**closest** — The **closest** keyword is used to inform the system that the metering rate defined for the policer is the target rate. The system will choose a hardware supported rate that is closest to the specified rate.

**Default**      closest

**cir {max | min | closest}** — When the optional **cir** parameter is specified, the **max**, **min** or **closest** keyword qualifier must follow.

**max** — The **max** keyword is used to inform the system that the profiling rate defined for the policer is the maximum allowed rate. The system will choose a hardware supported rate that is closest but not exceeding the specified rate.

**min** — The **min** keyword is used to inform the system that the profiling rate defined for the policer is the minimum allowed rate. The system will choose a hardware supported rate that is closest but not lower than the specified rate.

**closest** — The **closest** keyword is used to inform the system that the profiling rate defined for the policer is the target rate. The system will choose a hardware supported rate that is closest to the specified rate.

**Default**      closest

### cbs

**Syntax**      **cbs {size [bytes | kilobytes] | default}**  
**no cbs**

**Context**      config>qos>sap-egress>policer

|                    |                                                                                                                                                                                                                                                                                                                                                                                                                                                                                                                                                                                                                                                                                                                                                                                     |
|--------------------|-------------------------------------------------------------------------------------------------------------------------------------------------------------------------------------------------------------------------------------------------------------------------------------------------------------------------------------------------------------------------------------------------------------------------------------------------------------------------------------------------------------------------------------------------------------------------------------------------------------------------------------------------------------------------------------------------------------------------------------------------------------------------------------|
| <b>Description</b> | <p>This command is used to configure the policer's CIR leaky bucket's exceed threshold. The CIR bucket's exceed threshold represents the committed burst tolerance allowed by the policer. If the policer's forwarding rate is equal to or less than the policer's defined CIR, the CIR bucket depth hovers around the 0 depth with spikes up to the maximum packet size in the offered load. If the forwarding rate increases beyond the profiling rate, the amount of data allowed to be in-profile above the rate is capped by the threshold.</p> <p>The policer's <b>cbs</b> size defined in the QoS policy may be overridden on an <b>sla-profile</b> or SAP where the policy is applied.</p> <p>The no form of this command returns the policer to its default CBS size.</p>  |
| <b>Default</b>     | 64 kilobytes when CIR = max, otherwise, 10ms volume of traffic for a configured non zero/non max CIR.                                                                                                                                                                                                                                                                                                                                                                                                                                                                                                                                                                                                                                                                               |
| <b>Parameters</b>  | <p><i>size</i> [<b>bytes</b>   <b>kilobytes</b>] — The <i>size</i> parameter is required when specifying <b>cbs</b> and is expressed as an integer representing the required size in either bytes or kilobytes. The default is kilobytes. The optional <b>byte</b> and <b>kilobyte</b> keywords are mutually exclusive and are used to explicitly define whether size represents bytes or kilobytes.</p> <p><b>bytes</b> — When <b>byte</b> is defined, the value given for size is interpreted as the queue's MBS value given in bytes.</p> <p><b>kilobytes</b> — When <b>kilobytes</b> is defined, the value is interpreted as the queue's MBS value given in kilobytes.</p> <p><b>Values</b>      0 – 16777216 or <b>default</b></p> <p><b>Default</b>      <b>kilobytes</b></p> |

### enable-dscp-prec-remarking

|                    |                                                                                                                                                                                                                                                                                                                                  |
|--------------------|----------------------------------------------------------------------------------------------------------------------------------------------------------------------------------------------------------------------------------------------------------------------------------------------------------------------------------|
| <b>Syntax</b>      | <b>[no] enable-dscp-prec-remarking</b>                                                                                                                                                                                                                                                                                           |
| <b>Context</b>     | config>qos>sap-egress>policer                                                                                                                                                                                                                                                                                                    |
| <b>Description</b> | <p>This command enables DSCP/precedence remarking based on the profile state of a packet being forwarded by a SAP or subscriber egress policer. The DSCP/precedence can be remarked to a value independent of the packet's profile, or separately based on if the packet have an exceed, in-profile or out-of-profile state.</p> |
| <b>Default</b>     | no enable-dscp-prec-remarking                                                                                                                                                                                                                                                                                                    |

### enable-exceed-pir

|                |                                                         |
|----------------|---------------------------------------------------------|
| <b>Syntax</b>  | <b>[no] enable-exceed-pir</b>                           |
| <b>Context</b> | config>qos>sap-egress>policer<br>cfg>qos>qgrps>egr>qgrp |

## Service SAP QoS Policy Command Reference

**Description** This command enables the forwarding of traffic exceeding the PIR for a SAP egress or a network egress queue group (configured in the egress queue group template) policer. This traffic is forwarded as exceed-profile instead of being dropped.

**Default** no enable-exceed-pir

### high-prio-only

**Syntax** **high-prio-only** *percent-of-mbs*  
**no high-prio-only**

**Context** config>qos>sap-egress>policer

**Description** This command is used to configure the percentage of the policer's PIR leaky bucket's MBS (maximum burst size) that is reserved for high priority traffic. While the **mbs** value defines the policer's high priority violate threshold, the percentage value defined is applied to the **mbs** value to derive the bucket's low priority violate threshold. See the **mbs** command details for information on which types of traffic is associated with each violate threshold.

**Default** 10

**Parameters** *percent-of-mbs* — The *percent-of-mbs* parameter is required when specifying **high-prio-only** and is expressed as a percentage.

**Values** 0 to 100

**Default** 10

### mbs

**Syntax** **mbs** {*size* [bytes | kilobytes] | default}  
**no mbs**

**Context** config>qos>sap-egress>policer

**Description** This command is used to configure the policer's PIR leaky bucket's high priority violate threshold. The **high-prio-only** command is applied to the MBS value to derive the bucket's low priority violate threshold. For egress, trusted in-profile packets and untrusted high priority packets use the policer's high priority violate threshold while trusted out-of-profile and untrusted low priority packets use the policer's low priority violate threshold. At egress, in-profile packets use the policer's high priority violate threshold and out-of-profile packets use the policer's low priority violate threshold.

The PIR bucket's violate threshold represent the maximum burst tolerance allowed by the policer. If the policer's offered rate is equal to or less than the policer's defined rate, the PIR bucket depth hovers around the 0 depth with spikes up to the maximum packet size in the offered load. If the offered rate increases beyond the metering rate, the amount of data allowed above the rate is capped by the threshold. The low priority violate threshold provides a smaller burst size for the lower priority traffic associated with the policer. Since all lower priority traffic is discarded at the lower burst tolerance size, the remaining burst tolerance defined by **high-prio-only** is available for the higher priority traffic.



The policer's mbs size defined in the QoS policy may be overridden on an sla-profile or SAP where the policy is applied.

The no form of this command returns the policer to its default MBS size.

|                   |                                                                                                                                                                                                                                                                                                                                                                                                                                                                                                                                                                                                                                                                                                                                                                                     |
|-------------------|-------------------------------------------------------------------------------------------------------------------------------------------------------------------------------------------------------------------------------------------------------------------------------------------------------------------------------------------------------------------------------------------------------------------------------------------------------------------------------------------------------------------------------------------------------------------------------------------------------------------------------------------------------------------------------------------------------------------------------------------------------------------------------------|
| <b>Default</b>    | None                                                                                                                                                                                                                                                                                                                                                                                                                                                                                                                                                                                                                                                                                                                                                                                |
| <b>Parameters</b> | <p><i>size</i> [<b>bytes</b>   <b>kilobytes</b>] — The <i>size</i> parameter is required when specifying <b>mbs</b> and is expressed as an integer representing the required size in either bytes or kilobytes. The default is kilobytes. The optional <b>byte</b> and <b>kilobyte</b> keywords are mutually exclusive and are used to explicitly define whether size represents bytes or kilobytes.</p> <p><b>bytes</b> — When <b>byte</b> is defined, the value given for size is interpreted as the queue's MBS value given in bytes.</p> <p><b>kilobytes</b> — When <b>kilobytes</b> is defined, the value is interpreted as the queue's MBS value given in kilobytes.</p> <p><b>Values</b>      0 – 16777216 or <b>default</b></p> <p><b>Default</b>      <b>kilobytes</b></p> |

## packet-byte-offset

|                    |                                                                                                                                                                                                                                                                                                                                                                                                                                                                                                                                                                                                                                                                                                                                                                                                                                                                                                                                                                                                                                       |
|--------------------|---------------------------------------------------------------------------------------------------------------------------------------------------------------------------------------------------------------------------------------------------------------------------------------------------------------------------------------------------------------------------------------------------------------------------------------------------------------------------------------------------------------------------------------------------------------------------------------------------------------------------------------------------------------------------------------------------------------------------------------------------------------------------------------------------------------------------------------------------------------------------------------------------------------------------------------------------------------------------------------------------------------------------------------|
| <b>Syntax</b>      | <b>packet-byte-offset</b> { <b>add</b> <i>bytes</i>   <b>subtract</b> <i>bytes</i> }<br><b>no packet-byte-offset</b>                                                                                                                                                                                                                                                                                                                                                                                                                                                                                                                                                                                                                                                                                                                                                                                                                                                                                                                  |
| <b>Context</b>     | config>qos>sap-egress>policer                                                                                                                                                                                                                                                                                                                                                                                                                                                                                                                                                                                                                                                                                                                                                                                                                                                                                                                                                                                                         |
| <b>Description</b> | <p>This command is used to modify the size of each packet handled by the policer by adding or subtracting a number of bytes. The actual packet size is not modified; only the size used to determine the bucket depth impact is changed. The <b>packet-byte-offset</b> command is meant to be an arbitrary mechanism that can be used to either add downstream frame encapsulation or remove portions of packet headers. Both the policing metering and profiling throughput is affected by the offset as well as the stats associated with the policer.</p> <p>When child policers are adding to or subtracting from the size of each packet, the parent policer's <b>min-thresh-separation</b> value should also need to be modified by the same amount.</p> <p>The policer's <b>packet-byte-offset</b> defined in the QoS policy may be overridden on an <b>sla-profile</b> or SAP where the policy is applied.</p> <p>The <b>no</b> version of this command is used to remove per packet size modifications from the policer.</p> |

## Service SAP QoS Policy Command Reference

**Parameters**    **add bytes** — The **add** keyword is mutually exclusive to the **subtract** keyword. Either **add** or **subtract** must be specified. When **add** is defined the corresponding bytes parameter specifies the number of bytes that is added to the size each packet associated with the policer for rate metering, profiling and accounting purposes. From the policer's perspective, the maximum packet size is increased by the amount being added to the size of each packet.

**Values**        0 to 31

**Default**        None

**subtract bytes** — The **subtract** keyword is mutually exclusive to the **add** keyword. Either **add** or **subtract** must be specified. When **b** is defined the corresponding bytes parameter specifies the number of bytes that is subtracted from the size of each packet associated with the policer for rate metering, profiling and accounting purposes. From the policer's perspective, the maximum packet size is reduced by the amount being subtracted from the size of each packet. The minimum resulting packet size used by the system is 1 byte.

**Values**        1 to 64

**Default**        None

## parent

**Syntax**        **parent** {**root** | *arbiter-name*} [**level** *level*] [**weight** *weight-within-level*]  
**no parent**

**Context**        config>qos>sap-egress>policer

**Description**    This command is used to create a child to parent mapping between each instance of the policer and either the **root** arbiter or a specific tiered **arbiter** on the object where the policy is applied. Defining a parent association for the policer causes the policer to compete for the parent policer's available bandwidth with other child policers mapped to the policer control hierarchy.

Policer control hierarchies may be created on SAPs or on a subscriber or multi-service site context. To create a policer control hierarchy on an ingress or egress SAP context, a **policer-control-policy** must be applied to the SAP. Once applied, the system will create a parent policer that is bandwidth limited by the policy's **max-rate** value under the root arbiter. The root arbiter in the policy also provides the information used to determine the various priority level discard-unfair and discard-all thresholds. Besides the root arbiter, the policy may also contain user defined tiered arbiters that provide arbitrary bandwidth control for subsets of child policers that are either directly or indirectly parented by the arbiter.

When the QoS policy containing the policer with a **parent** mapping to an arbiter name exists on the SAP, the system will scan the available arbiters on the SAP. If an arbiter exists with the appropriate name, the policer to arbiter association is created. If the specified arbiter does not exist either because a **policer-control-policy** is not currently applied to the SAP or the arbiter name does not exist within the applied policy, the policer is placed in an orphan state. Orphan policers operate as if they are not parented and are not subject to any bandwidth constraints other than their own PIR. When a policer

enters the orphan state, it is flagged as operationally degraded due to the fact that it is not operating as intended and a trap is generated. Whenever a **policer-control-policy** is added to the SAP or the existing policy is modified, the SAP's policer's parenting configurations must be reevaluated. If an orphan policer becomes parented, the degraded flag should be cleared and a resulting trap should be generated.

On the 7450 ESS and 7750 SR, for subscribers, the policer control hierarchy is created through the **policer-control-policy** applied to the **sub-profile** used by the subscriber. A unique policer control hierarchy is created for each subscriber associated with the **sub-profile**. The QoS policy containing the policer with the parenting command comes into play through the subscriber **sla-profile** which references the QoS policy. The combining of the **sub-profile** and the **sla-profile** at the subscriber level provides the system with the proper information to create the policer control hierarchy instance for the subscriber.

Executing the **parent** command will fail if:

- The policer's stat-mode in the QoS policy is set to no-stats
- A stat-mode no-stats override exists on an instance of the policer on a SAP or subscribers or multi-service site context

A policer with a **parent** command applied cannot be configured with **stat-mode no-stats** in either the QoS policy or as an override on an instance of the policer

Once a policer is successfully parented to an arbiter, the **parent** commands **level** and **weight** parameters are used to determine at what priority level and at which weight in the priority level that the child policer competes with other children (policers or other arbiters) for bandwidth.

The **no** form of this command is used to remove the parent association from all instances of the policer.

**Parameters** {**root** | *arbiter-name*} — When the **parent** command is executed, either the keyword **root** or an *arbiter-name* must be specified.

**root** — The **root** keyword specifies that the policer is intended to become a child to the **root** arbiter where an instance of the policer is created. If the **root** arbiter does not exist, the policer will be placed in the orphan state.

*arbiter-name* — The *arbiter-name* parameter specifies that the policer is intended to become a child to one of the tiered arbiters with the given arbiter-name where an instance of the policer is created. If the specified arbiter-name does not exist, the policer will be placed in the orphan state.

**Default**     None

**weight** *weight-within-level* — The **weight** *weight-within-level* keyword and parameter are optional when executing the **parent** command. When **weight** is not specified, a default level of 1 is used in the parent arbiters priority level. When **weight** is specified, the *weight-within-level* parameter must be specified as an integer value from 1 through 100.

**Default**     1

### rate

|                    |                                                                                                                                                                                                                                                                                                                                                                                                                                                                                                                                                                                                                                                                                                                                                                                                                                                                                                                                                                                                                                                                                                                                                                                                                                                                                                                                                                                                                                                                                                                                                                                                                                                                                                                                                                                                                                                                                                                                                                                                                                                                                                                                                                                                                                                                                                                                                                                                 |
|--------------------|-------------------------------------------------------------------------------------------------------------------------------------------------------------------------------------------------------------------------------------------------------------------------------------------------------------------------------------------------------------------------------------------------------------------------------------------------------------------------------------------------------------------------------------------------------------------------------------------------------------------------------------------------------------------------------------------------------------------------------------------------------------------------------------------------------------------------------------------------------------------------------------------------------------------------------------------------------------------------------------------------------------------------------------------------------------------------------------------------------------------------------------------------------------------------------------------------------------------------------------------------------------------------------------------------------------------------------------------------------------------------------------------------------------------------------------------------------------------------------------------------------------------------------------------------------------------------------------------------------------------------------------------------------------------------------------------------------------------------------------------------------------------------------------------------------------------------------------------------------------------------------------------------------------------------------------------------------------------------------------------------------------------------------------------------------------------------------------------------------------------------------------------------------------------------------------------------------------------------------------------------------------------------------------------------------------------------------------------------------------------------------------------------|
| <b>Syntax</b>      | <b>rate</b> { <b>max</b>   <i>kilobits-per-second</i> } [ <b>cir</b> { <b>max</b>   <i>kilobits-per-second</i> }]<br><b>no rate</b>                                                                                                                                                                                                                                                                                                                                                                                                                                                                                                                                                                                                                                                                                                                                                                                                                                                                                                                                                                                                                                                                                                                                                                                                                                                                                                                                                                                                                                                                                                                                                                                                                                                                                                                                                                                                                                                                                                                                                                                                                                                                                                                                                                                                                                                             |
| <b>Context</b>     | config>qos>sap-egress>policer                                                                                                                                                                                                                                                                                                                                                                                                                                                                                                                                                                                                                                                                                                                                                                                                                                                                                                                                                                                                                                                                                                                                                                                                                                                                                                                                                                                                                                                                                                                                                                                                                                                                                                                                                                                                                                                                                                                                                                                                                                                                                                                                                                                                                                                                                                                                                                   |
| <b>Description</b> | <p>This command is used to configure the policer's metering and optional profiling rates. The metering rate is used by the system to configure the policer's PIR leaky bucket's decrement rate while the profiling rate configures the policer's CIR leaky bucket's decrement rate. The decrement function empties the bucket while packets applied to the bucket attempt to fill it based on the each packets size. If the bucket fills faster than how much is decremented per packet, the bucket's depth eventually reaches it's exceed (CIR) or violate (PIR) threshold. The <b>cbs</b>, <b>mbs</b> and <b>high-prio-only</b> commands are used to configure the policer's PIR and CIR thresholds.</p> <p>If a packet arrives at the policer while the bucket's depth is less than the threshold associated with the packet, the packet is considered to be conforming to the bucket's rate. If the bucket depth is equal to or greater than the threshold, the packet is considered to be in the exception state. For the CIR bucket, the exception state is exceeding the CIR rate while the PIR bucket's exception state is violating the PIR bucket rate. If the packet is violating the PIR, the packet is marked red and will be discarded. If the packet is not red, it may be green or yellow based on the conforming or exceeding state from the CIR bucket.</p> <p>When a packet is red neither the PIR or CIR bucket depths are incremented by the packets size. When the packet is yellow the PIR bucket is incremented by the packet size, but the CIR bucket is not. When the packet is green, both the PIR and CIR buckets are incremented by the packet size. This ensures that conforming packets impact the bucket depth while exceeding or violating packets do not.</p> <p>The policer's <b>adaptation-rule</b> command settings are used by the system to convert the specified rates into hardware timers and decrement values for the policer's buckets.</p> <p>By default, the policer's metering rate is <b>max</b> and the profiling rate is 0 Kbps (all packets out-of-profile).</p> <p>The <b>rate</b> settings defined for the policer in the QoS policy may be overridden on an <b>sla-profile</b> or SAP where the policy is applied.</p> <p>The <b>no</b> form of this command is used to restore the default metering and profiling rate to a policer.</p> |
| <b>Parameters</b>  | <p>{<b>max</b>   <i>kilobits-per-second</i>} — Specifying the keyword <b>max</b> or an explicit <i>kilobits-per-second</i> parameter directly following the rate command is required and identifies the policer's metering rate for the PIR leaky bucket. When the policer is first created, the metering rate defaults to max. The <i>kilobits-per-second</i> value must be expressed as an integer and defines the rate in kilobits-per-second. The integer value is multiplied by 1,000 to derive the actual rate in bits-per-second. When max is specified, the maximum policer rate used will be equal to the maximum capacity of the card on which the policer is configured. If the policer rate is set to a value larger than the maximum rate possible for the card, then the PIR used is equivalent to max.</p> <p><b>Values</b>     <b>max</b> or 1 to 2000000000</p> <p><b>Values</b>     <b>max</b> or 0 to 2000000000</p>                                                                                                                                                                                                                                                                                                                                                                                                                                                                                                                                                                                                                                                                                                                                                                                                                                                                                                                                                                                                                                                                                                                                                                                                                                                                                                                                                                                                                                                         |

**cir** {**max** | *kilobits-per-second*} — The optional **cir** keyword is used to override the default CIR rate of the policer. Specifying the keyword **max** or an explicit *kilobits-per-second* parameter directly following the **cir** keyword is required and identifies the policer's profiling rate for the CIR leaky bucket. When the policer is first created, the profiling rate defaults to 0 Kbps. The *kilobits-per-second* value must be expressed as an integer and defines the rate in kilobits-per-second. The integer value is multiplied by 1,000 to derive the actual rate in bits-per-second.

**Values**      **max** or 0 to 20,000,000

## stat-mode

|                    |                                                                                                                                                                                                                                                                                                                                                                                                                                                                                                                                                                                                                                                                                                                                                                                                                                                                                                                                                                                                                                                                                              |
|--------------------|----------------------------------------------------------------------------------------------------------------------------------------------------------------------------------------------------------------------------------------------------------------------------------------------------------------------------------------------------------------------------------------------------------------------------------------------------------------------------------------------------------------------------------------------------------------------------------------------------------------------------------------------------------------------------------------------------------------------------------------------------------------------------------------------------------------------------------------------------------------------------------------------------------------------------------------------------------------------------------------------------------------------------------------------------------------------------------------------|
| <b>Syntax</b>      | <b>stat-mode</b> { <b>no-stats</b>   <b>minimal</b>   <b>offered-profile-no-cir</b>   <b>offered-profile-cir</b>   <b>offered-total-cir</b>   <b>offered-limited-capped-cir</b>   <b>offered-profile-capped-cir</b>   <b>offered-total-cir-exceed</b> }<br><b>no stat mode</b>                                                                                                                                                                                                                                                                                                                                                                                                                                                                                                                                                                                                                                                                                                                                                                                                               |
| <b>Context</b>     | config>qos>sap-egress>policer<br>config>qos>queue-group-templates>egress>queue-group                                                                                                                                                                                                                                                                                                                                                                                                                                                                                                                                                                                                                                                                                                                                                                                                                                                                                                                                                                                                         |
| <b>Description</b> | The <b>sap-egress</b> QoS policy's policer <b>stat-mode</b> command is used to configure the forwarding plane counters that allow offered, output and discard accounting to occur for the policer. An egress policer has multiple types of offered packets (soft in-profile and out-of-profile from ingress and hard in-profile, out-of-profile, and exceed-profile due to egress profile overrides) and each of these offered types is interacting with the policer's metering and profiling functions resulting in colored output packets (green, yellow and red). Due to the potential large number of egress policers, it is not economical to allocate counters in the forwarding plane for all possible offered packet types and output conditions. Many policers will not be configured with a CIR profiling rate and not all policers will receive explicitly re-profiled offered packets. The <b>stat-mode</b> command allows provisioning of the number of counters each policer requires and how the offered packet types and output conditions should be mapped to the counters. |

While a **no-stats** mode is supported which prevents any packet accounting, the use of the policer's **parent** command requires at the policer's **stat-mode** to be set at least to the **minimal** setting so that offered stats are available for the policer's Fair Information Rate (FIR) to be calculated. Once a policer has been made a child to a parent policer, the **stat-mode** cannot be changed to **no-stats** unless the policer parenting is first removed.

Each time the policer's **stat-mode** is changed, any previous counter values are lost and any new counters are set to zero.

Each mode uses a certain number of counters per policer instance that are allocated from the forwarding plane's policer counter resources. You can view the the total/allocated/free stats by using the **tools dump resource-usage card fp** command. If insufficient counters exist to implement a mode on any policer instance, the **stat-mode** change will fail and the previous mode will continue unaffected for all instances of the policer.

The default **stat-mode** when a policer is created within the policy is **minimal**.

## Service SAP QoS Policy Command Reference

The **stat-mode** setting defined for the policer in the QoS policy may be overridden on an **sla-profile** or SAP where the policy is applied. If insufficient policer counter resources exist to implement the override, the **stat-mode** override command will fail. The previous **stat-mode** setting active for the policer will continue to be used by the policer.

The **no** form of this command attempts to return the policer's **stat-mode** setting to **minimal**. The command will fail if insufficient policer counter resources exist to implement **minimal** where the QoS policer is currently applied and has a forwarding class mapping.

### Parameters **no-stats** — Counter resource allocation: 0

The policer does not have any forwarding plane counters allocated and cannot provide offered, discard and forward statistics. A policer using **no-stats** cannot be a child to a parent policer and the policer's **parent** command will fail.

When **collect-stats** is enabled, the lack of counters causes the system to generate the following statistics:

- a. offered-in = 0
- b. offered-out = 0
- c. discard-in = 0
- d. discard-out = 0
- e. forward-in = 0
- f. forward-out = 0

Counter 0 indicates that the accounting statistic returns a value of zero.

### **minimal** — Counter resource allocation: 1

The default **stat-mode** for a policer is **minimal**. The **minimal** mode allocates 1 forwarding plane offered counter and one traffic manager discard counter. The forwarding counter is derived by subtracting the discard counter from the offered counter. The counters do not differentiate possible offered types (profile or priority) and do not count green, yellow, or red output. This does not prevent the policer from supporting different offered packet types and does not prevent the policer from supporting a CIR rate or using exceed PIR.

This counter mode is useful when only the most basic accounting information is required.

The counters are used in the following manner:

1. offered = soft-in-profile-out-of-profile, profile in/out
2. discarded = Same as 1
3. forwarded = Derived from 1 - 2

When **collect-stats** is enabled, the counters are used by the system to generate the following statistics:

- a. offered-in = 0
- b. offered-out = 1
- c. discard-in = 0
- d. discard-out = 2
- e. forward-in = 0
- f. forward-out (includes forward-in and forward-exceed)= 3

Counter 0 indicates that the accounting statistic returns a value of zero.

### **offered-profile-no-cir** — Counter resource allocation: 2

The **offered-profile-no-cir** mode allocates two forwarding plane offered counters and two traffic manager discard counters.

The **offered-profile-no-cir** mode is most useful when profile based offered, discard and forwarding stats are required from the egress policer, but a CIR is not being used to recolor the soft in-profile and out-of-profile packets. This mode does not prevent the policer from being configured with a CIR rate or using exceed PIR.

The counters are used in the following manner:

1. offered-in = soft-in-profile, profile in
2. offered-out = soft-out-of-profile, profile out
3. dropped-in = Same as 1
4. dropped-out = Same as 2
5. forwarded-in = Derived from 1 - 3
6. forwarded-out = Derived from 2 - 4

When **collect-stats** is enabled, the counters are used by the system to generate the following statistics:

- a. offered-in = 1
- b. offered-out = 2
- c. discard-in = 3
- d. discard-out = 4
- e. forward-in (includes forward-exceed that were in) = 5
- f. forward-out (includes forward-exceed that were out) = 6

### **offered-profile-cir** — Counter resource allocation: 4

The **offered-profile-cir** mode allocates four forwarding plane offered counters and four traffic manager discard counters.

The **offered-profile-cir** mode is most useful when profile based offered, discard and forwarding stats are required from the egress policer and a CIR rate is being used to recolor the soft in-profile and out-of-profile packets.

The counters are used in the following manner:

1. offered-in-that-stayed-green-or-turned-red = profile in
2. offered-soft-that-turned-green = soft-in-profile-out-of-profile
3. offered-soft-or-out-that-turned-yellow-or-red = soft-in-profile-out-of-profile
4. offered-out-that-stayed-yellow-or-turned-red = profile-out
5. dropped-in-that-stayed-green-or-turned-red = Same as 1
6. dropped-soft-that-turned-green = Same as 2
7. dropped-soft-that-turned-yellow-or-red = Same as 3
8. dropped-out-that-stayed-yellow-or-turned-red = Same as 4
9. forwarded-in-that-stayed-green-or-turned-red = Derived from 1 - 5
10. forwarded-soft-that-turned-green = Derived from 2 - 6
11. forwarded-soft-or-out-that-turned-yellow-or-turned-red = Derived from 3 - 7
12. forwarded-out-that-turned-yellow = Derived from 4 - 8

## Service SAP QoS Policy Command Reference

When **collect-stats** is enabled, the counters are used by the system to generate the following statistics:

- a. offered-in = 1
- b. offered-out = 4
- c. offered-undefined = 2+3
- d. discard-in = 5 + 6
- e. discard-out = 7 + 8
- f. forward-in (includes forward-exceed that were in) = 9+10
- g. forward-out (includes forward-exceed that were soft or out) = 11+12

**offered-total-cir** — Counter resource allocation: 2

The **offered-total-cir** mode allocates two forwarding plane offered counters and two traffic manager discard counters.

The **offered-total-cir** mode is most useful when the policer is not receiving trusted in-profile or out-of-profile traffic and both high and low priority classifications are not being used on the untrusted packets and the offered packets are being applied to a defined CIR profiling rate. This mode does not prevent the policer from receiving trusted in-profile or out-of-profile packets and does not prevent the use of priority high or low classifications on the untrusted packets.

The counters are used in the following manner:

1. offered-that-turned-green =soft-in-profile-out-of-profile, profile in/out
2. offered- that-turned-yellow-or-red =soft-in-profile-out-of-profile, profile in/out
3. dropped-offered-that-turned-green = Same as 1
4. dropped-offered-that-turned-yellow-or-red = Same as 2
5. forwarded-offered-that-turned-green = Derived from 1 - 3
6. forwarded-offered-that-turned-yellow-or-red = Derived from 2 - 4

When **collect-stats** is enabled, the counters are used by the system to generate the following statistics:

- a. offered-in = 0
- b. offered-out = 1 + 2
- c. discard-in = 3
- d. discard-out = 4
- e. forward-in = 5
- f. forward-out (includes forward-exceed) = 6

Counter 0 indicates that the accounting statistic returns a value of zero.

**offered-limited-capped-cir** — Counter resource allocation: 4

**offered-limited-capped-cir** is defined, the system creates four forwarding plane offered-output counters in the network processor and three discard counters in the traffic manager.

The **offered-limited-capped-cir** mode is similar to the **offered-profile-capped-cir** mode except that it combines **profile out** and **soft-out-of-profile** and eliminates the 'offered-undefined' statistic.



The impact of using **offered-limited-capped-cir** stat-mode while profile-capped mode is disabled are that one of the counting resources in the forwarding plane and traffic manager will not be used and **soft-in-profile** will be treated as ‘offered-in’ instead of ‘offered-undefined’.

The counters are used in the following manner:

1. offered-in-that-stayed-green = profile in, soft-in-profile
2. offered-in-that-turned-yellow-or-red = profile in, soft-in-profile
3. offered-out-that-turned-green = soft-out-of-profile
4. offered-out- that-turned-yellow-or-red = profile out, soft-out-of-profile
5. dropped-in-that-stayed-green = Same as 1
6. dropped-in-that-turned-yellow-or-red = Same as 2
7. dropped-out-that-turned-green = Same as 3
8. dropped-out-that-turned-yellow-or-red = Same as 4
9. forwarded-in-that-stayed-green = Derived from 1 - 5
10. forwarded-in-that-turned-yellow-or-red = Derived from 2 - 6
11. forwarded-out-that-turned-green = Derived from 3 - 7
12. forwarded-out-that-turned-yellow-or-red = Derived from 4 – 8

When **collect-stats** is enabled, the counters are used by the system to generate the following statistics:

- a. offered-in = 1 + 2
- b. offered-out = 3 + 4
- c. discard-in = 5 + 7
- d. discard-out = 6 + 8
- e. forward-in = 9 + 11
- f. forward-out (includes forward-exceed = 10 + 12

**offered-profile-capped-cir** — Counter resource allocation: 5

When **offered-profile-capped-cir** is defined, the system creates five offered-output counters in the forwarding plane and five discard counters in the traffic manager.

The **offered-profile-capped-cir** mode is similar to the **offered-profile-cir** mode except that it includes support for **profile in** and **soft-in-profile** that may be output as ‘out-of-profile’ due to enabling profile-capped mode on the ingress policer.

The impact of using **offered-profile-capped-cir** stat-mode while **profile-capped** mode is disabled are that one of the counting resources in the forwarding plane and traffic manager will not be used and soft-in-profile will be treated as ‘offered-in’ instead of ‘offered-undefined’.

The counters are used in the following manner:

1. offered-in-that-stayed-green = profile in
2. offered-in-that-turned-yellow-or-red = profile in
3. offered-soft-that-turned-green = soft-in-profile-out-of-profile
4. offered-soft-that-turned-yellow-or-red = soft-in-profile-out-of-profile
5. offered-out-that-stayed-yellow-or-turned-red = profile out

## Service SAP QoS Policy Command Reference

6. dropped-in-that-stayed-green = Same as 1
7. dropped-in-that-turned-yellow-or-red = Same as 2
8. dropped-soft-that-turned-green = Same as 3
9. dropped-soft-that-turned-yellow-or-red = Same as 4
10. dropped-out-that-stayed-yellow-or-turned-red = Same as 5
11. forwarded-in-that-stayed-green = Derived from 1 - 6
12. forwarded-in-that-turned-yellow-or-red = Derived from 2 - 7
13. forwarded-soft-that-turned-green = Derived from 3 - 8
14. forwarded-soft-that-turned-yellow-or-red = Derived from 4 - 9
15. forwarded-out-that-stayed-yellow-or-turned-red = Derived from 5 - 10

When **collect-stats** is enabled, the counters are used by the system to generate the following statistics:

- a. offered-undefined = 3 + 4
- b. offered-in = 1 + 2
- c. offered-out = 5
- d. discard-in = 6 + 8
- e. discard-out = 7 + 9 + 10
- f. forward-in = 11 + 13
- g. forward-out (includes forward-exceed) = 12 + 14 + 15

**offered-total-cir-exceed** — Counter resource allocation: 3

The **offered-total-cir-exceed** mode allocates three forwarding plane offered counters and three traffic manager discard counters.

The **offered-total-cir-exceed** mode is most useful when the policer is configured to forward packets which exceed its configured PIR. The mode gives the forward and dropped counters per profile (in, out, exceed).

The counters are used in the following manner:

1. offered-any-to-green
2. offered-any-to-yellow
3. offered-any-to-red
4. dropped-any-to-green
5. dropped-any-to-yellow
6. dropped-any-to-red
7. forwarded-any-to-green = Derived from 4-1
8. forwarded-any-to-yellow = Derived from 5-2
9. forwarded-any-to-red = Derived from 6-3

When **collect-stats** is enabled, the counters are used by the system to generate the following statistics:

- a. offered-total = 1+2+3
- b. dropped-exceed = 6
- c. dropped-out = 5

- d. dropped-in = 4
- e. forward-in = 7
- f. forward-out = 8
- g. forward-exceed = 9

## dscp

|                    |                                                                                                                                                                                                                                                                                                                                                                                                                                                                                                                                                                                                                                                                                                                                                                                                                                                                                                                                                                                                                                                                                                                                  |
|--------------------|----------------------------------------------------------------------------------------------------------------------------------------------------------------------------------------------------------------------------------------------------------------------------------------------------------------------------------------------------------------------------------------------------------------------------------------------------------------------------------------------------------------------------------------------------------------------------------------------------------------------------------------------------------------------------------------------------------------------------------------------------------------------------------------------------------------------------------------------------------------------------------------------------------------------------------------------------------------------------------------------------------------------------------------------------------------------------------------------------------------------------------|
| <b>Syntax</b>      | <b>dscp</b> { <i>dscp-name</i>   <b>in-profile</b> <i>dscp-name</i> <b>out-profile</b> <i>dscp-name</i> [ <b>exceed-profile</b> <i>dscp-name</i> ]}<br><b>no dscp</b>                                                                                                                                                                                                                                                                                                                                                                                                                                                                                                                                                                                                                                                                                                                                                                                                                                                                                                                                                            |
| <b>Context</b>     | config>qos>sap-egress>fc                                                                                                                                                                                                                                                                                                                                                                                                                                                                                                                                                                                                                                                                                                                                                                                                                                                                                                                                                                                                                                                                                                         |
| <b>Description</b> | This command configures a DiffServ Code Point (DSCP) code point to be used for remarking packets from the specified FC. If the optional exceed/in/out-profile is specified, the command will remark different DSCP code points depending on whether the packet was classified to be exceed, in, or out-of-profile ingress to the node.<br><br>This is supported on FP2- and higher-based line cards for the 7450 ESS.                                                                                                                                                                                                                                                                                                                                                                                                                                                                                                                                                                                                                                                                                                            |
| <b>Default</b>     | not enabled                                                                                                                                                                                                                                                                                                                                                                                                                                                                                                                                                                                                                                                                                                                                                                                                                                                                                                                                                                                                                                                                                                                      |
| <b>Parameters</b>  | <i>dscp-name</i> — Specifies a dscp name that has been previously mapped to a value using the <b>dscp-name</b> command. The DiffServ code point can only be specified by its name.<br><br><b>Values</b> be, cp1, cp2, cp3, cp4, cp5, cp6, cp7, cs1, cp9, af11, cp11, af12, cp13, af13, cp15, cs2, cp17, af21, cp19, af22, cp21, af23, cp23, cs3, cp25, af31, cp27, af32, cp29, af33, cp31, cs4, cp33, af41, cp35, af42, cp37, af43, cp39, cs5, cp41, cp42, cp43, cp44, cp45, ef, cp47, nc1, cp49, cp50, cp51, cp52, cp53, cp54, cp55, nc2, cp57, cp58, cp59, cp60, cp61, cp62, cp63<br><br><b>exceed-profile</b> <i>dscp-name</i> — This optional parameter specifies the dscp name to be used to remark the traffic which is exceed-profile. If not specified, this defaults to the same value configured for <b>out-profile</b> parameter.<br><br><b>in-profile</b> <i>dscp-name</i> — This parameter specifies the dscp name to be used to remark the traffic which is in-profile.<br><br><b>out-profile</b> <i>dscp-name</i> — This parameter specifies the dscp name to be used to remark the traffic which is out-profile. |

## prec

|                |                                                                                                                                                                                                            |
|----------------|------------------------------------------------------------------------------------------------------------------------------------------------------------------------------------------------------------|
| <b>Syntax</b>  | <b>prec</b> { <i>ip-prec-value</i>   <b>in-profile</b> <i>ip-prec-value</i> <b>out-profile</b> <i>ip-prec-value</i> [ <b>exceed-profile</b> <i>ip-prec-value</i> ]}<br><b>no prec</b> <i>ip-prec-value</i> |
| <b>Context</b> | config>qos>sap-egress>fc                                                                                                                                                                                   |

## Service SAP QoS Policy Command Reference

|                    |                                                                                                                                                                                                                                                                                                                                                                                                                                                                                                                                                                                                                                                                                                                                                                             |
|--------------------|-----------------------------------------------------------------------------------------------------------------------------------------------------------------------------------------------------------------------------------------------------------------------------------------------------------------------------------------------------------------------------------------------------------------------------------------------------------------------------------------------------------------------------------------------------------------------------------------------------------------------------------------------------------------------------------------------------------------------------------------------------------------------------|
| <b>Description</b> | This command defines a value to be used for remarking packets for the specified FC. If the optional in/out/exceed-profile is specified, the command will remark different PREC values depending on whether the packet was classified to be in, exceed, or out-of-profile.                                                                                                                                                                                                                                                                                                                                                                                                                                                                                                   |
| <b>Parameters</b>  | <p><i>ip-prec-value</i> — This parameter specifies the IP precedence to be used to remark all traffic</p> <p><b>Values</b> 0 to 7</p> <p><b>exceed-profile</b> <i>ip-prec-value</i> — This optional parameter specifies the IP precedence to be used to remark traffic which is exceed-profile. If not specified, this defaults to the same value configured for out-profile parameter.</p> <p><b>Values</b> 0 to 7</p> <p><b>in-profile</b> <i>ip-prec-value</i> — This parameter specifies the IP precedence to be used to remark traffic which is in-profile.</p> <p><b>Values</b> 0 to 7</p> <p><b>out-profile</b> <i>ip-prec-value</i> — This parameter specifies the IP precedence to be used to remark traffic which is out-profile.</p> <p><b>Values</b> 0 to 7</p> |

### scope

|                    |                                                                                                                                                                                                                                                                                                                                                                                                                                                                                                                                                                                                                                                           |
|--------------------|-----------------------------------------------------------------------------------------------------------------------------------------------------------------------------------------------------------------------------------------------------------------------------------------------------------------------------------------------------------------------------------------------------------------------------------------------------------------------------------------------------------------------------------------------------------------------------------------------------------------------------------------------------------|
| <b>Syntax</b>      | <b>scope {exclusive   template}</b><br><b>no scope</b>                                                                                                                                                                                                                                                                                                                                                                                                                                                                                                                                                                                                    |
| <b>Context</b>     | config>qos>sap-egress                                                                                                                                                                                                                                                                                                                                                                                                                                                                                                                                                                                                                                     |
| <b>Description</b> | <p>Enter the scope of this policy. The scope of the policy cannot be changed if the policy is applied to one or more services.</p> <p>The no form of this command sets the scope of the policy to the default of template.</p>                                                                                                                                                                                                                                                                                                                                                                                                                            |
| <b>Default</b>     | template                                                                                                                                                                                                                                                                                                                                                                                                                                                                                                                                                                                                                                                  |
| <b>Parameters</b>  | <p><b>exclusive</b> — When the scope of a policy is defined as exclusive, the policy can only be applied to a single SAP. Attempting to assign the policy to a second SAP will result in an error message. If the policy is removed from the exclusive SAP, it will become available for assignment to another exclusive SAP.</p> <p>The system default policies cannot be put into the exclusive scope. An error will be generated if scope exclusive is executed in any policies with a policy-id equal to 1.</p> <p><b>template</b> — When the scope of a policy is defined as template, the policy can be applied to multiple SAPs on the router.</p> |

### sap-egress

|               |                                                  |
|---------------|--------------------------------------------------|
| <b>Syntax</b> | <b>[no] sap-egress {policy-id   policy-name}</b> |
|---------------|--------------------------------------------------|

|                    |                                                                                                                                                                                                                                                                                                                                                                                                                                                                                                                                                                                                                                                                                                                                                                                                                                                                                                                                                                                                                                                                                                                                                                                                                                                                                                                                                                                                                                                                                                                                                                                                                                                                                                                                                                                                                                                                                                                                                                                                                                                                                                                                                                                                                                                                                                                                                                                                                                                                                                                                                                                                                                                                                                                                                                                                                                                                                                                                                                                                                                                                                                                                                                                                                                                                                                                                                                                                                                                                                                                                                                                                                                                                                                            |
|--------------------|------------------------------------------------------------------------------------------------------------------------------------------------------------------------------------------------------------------------------------------------------------------------------------------------------------------------------------------------------------------------------------------------------------------------------------------------------------------------------------------------------------------------------------------------------------------------------------------------------------------------------------------------------------------------------------------------------------------------------------------------------------------------------------------------------------------------------------------------------------------------------------------------------------------------------------------------------------------------------------------------------------------------------------------------------------------------------------------------------------------------------------------------------------------------------------------------------------------------------------------------------------------------------------------------------------------------------------------------------------------------------------------------------------------------------------------------------------------------------------------------------------------------------------------------------------------------------------------------------------------------------------------------------------------------------------------------------------------------------------------------------------------------------------------------------------------------------------------------------------------------------------------------------------------------------------------------------------------------------------------------------------------------------------------------------------------------------------------------------------------------------------------------------------------------------------------------------------------------------------------------------------------------------------------------------------------------------------------------------------------------------------------------------------------------------------------------------------------------------------------------------------------------------------------------------------------------------------------------------------------------------------------------------------------------------------------------------------------------------------------------------------------------------------------------------------------------------------------------------------------------------------------------------------------------------------------------------------------------------------------------------------------------------------------------------------------------------------------------------------------------------------------------------------------------------------------------------------------------------------------------------------------------------------------------------------------------------------------------------------------------------------------------------------------------------------------------------------------------------------------------------------------------------------------------------------------------------------------------------------------------------------------------------------------------------------------------------------|
| <b>Context</b>     | config>qos                                                                                                                                                                                                                                                                                                                                                                                                                                                                                                                                                                                                                                                                                                                                                                                                                                                                                                                                                                                                                                                                                                                                                                                                                                                                                                                                                                                                                                                                                                                                                                                                                                                                                                                                                                                                                                                                                                                                                                                                                                                                                                                                                                                                                                                                                                                                                                                                                                                                                                                                                                                                                                                                                                                                                                                                                                                                                                                                                                                                                                                                                                                                                                                                                                                                                                                                                                                                                                                                                                                                                                                                                                                                                                 |
| <b>Description</b> | <p>This command is used to create or edit a Service Egress QoS policy. The egress policy defines the Service Level Agreement (SLA) for service packets as they egress on the SAP.</p> <p>Policies in effect are templates that can be applied to multiple services as long as the scope of the policy is template. The queues defined in the policy are not instantiated until a policy is applied to a service.</p> <p>A sap-egress policy differs from sap-ingress policies in the complexity of the QoS parameters that can be defined. At ingress, policies determine queue mappings based on ingress DSCP, Dot1P and IP or MAC match criteria. Multiple queues can be created per forwarding class and each queue can have different CIR or PIR parameters.</p> <p>At egress, the policies are much simpler, as the forwarding class and in or out of profile determination happened way back at the original service ingress SAP. Egress SAP QoS policies allow the definition of queues and the mapping of forwarding classes to those queues. Each queue needs to have a relative CIR for determining its allocation of QoS resources during periods of congestion. A PIR can also be defined that forces a hard limit on the packets transmitted through the queue. When the forwarding class is mapped to the queue, a Dot1p value can optionally be specified. If specified and the SAP has a Dot1q encapsulation type, the Dot1p value will be used for all packets that egress on that forwarding class. If the Dot1p value is not specified, a Dot1p value of zero will be used. If the SAP is null encapsulated, or on a SONET/SDH interface, the Dot1p value has no meaning.</p> <p>A <b>default-action</b> parameter is required to specify the default queue used by all forwarding classes not specifically mapped within the queue parameters. A sap-egress policy will be considered incomplete, if it does not include definition of at least one queue and does not specify the default action. Incomplete sap-egress policies cannot be applied to services.</p> <p>The sap-egress policy with policy-id 1 is the default sap-egress QoS policy and is applied to service egress SAPs when an explicit policy is not specified or removed. The system sap-egress policy can be modified but not deleted. Using the <b>no sap-egress</b> command on <b>policy-id 1</b> causes it to revert to its factory default parameters.</p> <p>The factory default settings for sap-egress policy-id 1 define a single queue with PIR set to the maximum value and a CIR set to 25. The single queue is the default queue and all forwarding classes will map to it. Packets being tagged according to the SAP encapsulation defined will have the Dot1p bits set to zero.</p> <p>Any changes made to an existing policy, using any of the sub-commands, will be applied immediately to all egress SAPs where this policy is applied. For this reason, when many changes are required on a policy, it is highly recommended that the policy be copied to a work area policy-id. That work-in-progress policy can be modified until complete and then written over the original policy-id. Use the <b>config qos copy</b> command to maintain policies in this manner.</p> <p>The <b>no</b> form of this command to deletes the sap-egress policy. A policy cannot be deleted until it is removed from all service SAPs where it is applied. When a sap-egress policy is removed from a SAP, the SAP will revert to the default sap-egress policy-id 1.</p> <p>The system default sap-egress policy is a special case. The <b>no</b> command restores the factory defaults to policy-id 1.</p> |

## Service SAP QoS Policy Command Reference

|                   |                                                                                                                                                                                                                                                                                                                                                                                                                                                                                                                                                                                       |
|-------------------|---------------------------------------------------------------------------------------------------------------------------------------------------------------------------------------------------------------------------------------------------------------------------------------------------------------------------------------------------------------------------------------------------------------------------------------------------------------------------------------------------------------------------------------------------------------------------------------|
| <b>Parameters</b> | <i>policy-id</i> — The <i>policy-id</i> uniquely identifies the policy on the router.                                                                                                                                                                                                                                                                                                                                                                                                                                                                                                 |
| <b>Default</b>    | none                                                                                                                                                                                                                                                                                                                                                                                                                                                                                                                                                                                  |
| <b>Values</b>     | 1 to 65535                                                                                                                                                                                                                                                                                                                                                                                                                                                                                                                                                                            |
|                   | <i>policy-name</i> — The <i>policy-name</i> uniquely identifies the policy.                                                                                                                                                                                                                                                                                                                                                                                                                                                                                                           |
| <b>Values</b>     | Valid names consist of any string up to 64 characters long. Policies must first be created with a <i>policy-id</i> , after which a <i>policy-name</i> can be assigned and used as an alias to reference the policy during configuration changes. Policy names may not begin with a number (0-9) or the underscore “_” character (e.g. <i>_myPolicy</i> ). “default” can not be used as policy names. Saved configurations and display output from the "info" and most "show" commands will show the <i>policy-id</i> (not the <i>policy-name</i> ) where the policies are referenced. |

## de-mark

|                    |                                                                                                                                                                                                                                                                                                                                                                                                                                                                                                                                                                                                                                                                                                                                                                                                                                                                                                                                                                                                                                                                                                                                                                                                        |
|--------------------|--------------------------------------------------------------------------------------------------------------------------------------------------------------------------------------------------------------------------------------------------------------------------------------------------------------------------------------------------------------------------------------------------------------------------------------------------------------------------------------------------------------------------------------------------------------------------------------------------------------------------------------------------------------------------------------------------------------------------------------------------------------------------------------------------------------------------------------------------------------------------------------------------------------------------------------------------------------------------------------------------------------------------------------------------------------------------------------------------------------------------------------------------------------------------------------------------------|
| <b>Syntax</b>      | <b>[no] de-mark [force <i>de-value</i>]</b>                                                                                                                                                                                                                                                                                                                                                                                                                                                                                                                                                                                                                                                                                                                                                                                                                                                                                                                                                                                                                                                                                                                                                            |
| <b>Context</b>     | config>qos>sap-egress>fc                                                                                                                                                                                                                                                                                                                                                                                                                                                                                                                                                                                                                                                                                                                                                                                                                                                                                                                                                                                                                                                                                                                                                                               |
| <b>Description</b> | <p>This command is used to explicitly define the marking of the DE bit for <b>fc</b> <i>fc-name</i> according to the in-profile, out-of-profile, or exceed-profile status of the packet (<i>fc-name</i> may be used to identify the <i>dot1p-value</i>).</p> <p>If no <i>de-value</i> is present, the default values are used for the marking of the DE bit: for example, 0 for in-profile packets, 1 for out-of-profile or exceed-profile packets— see IEEE 802.1ad-2005 standard.</p> <p>In the PBB case, for a Backbone SAP (B-SAP) and for packets originated from a local I-VPLS/PBB-Epipe, the command dictates the marking of the DE bit for both the BVID and ITAG.</p> <p>If this command is not used, the DE bit should be preserved if an ingress TAG exist or set to zero otherwise.</p> <p>If the <i>de-value</i> is specifically mentioned in the command line it means this value is to be used for all the packets of this forwarding class regardless of their in/out of profile status.</p> <p>The commands <b>de-mark-inner</b> and <b>de-mark-outer</b> take precedence over the <b>de-mark</b> command if both are specified in the same policy.</p> <p><b>Values:</b> 0 or 1</p> |

## dot1p

|               |                                                                                                                                           |
|---------------|-------------------------------------------------------------------------------------------------------------------------------------------|
| <b>Syntax</b> | <b>[no] dot1p {<i>dot1p-value</i>   in-profile <i>dot1p-value</i> out-profile <i>dot1p-value</i> [exceed-profile <i>dot1p-value</i>]}</b> |
|---------------|-------------------------------------------------------------------------------------------------------------------------------------------|

|                    |                                                                                                                                                                                                                                                                                                                                                                                                                                                                                                                                                                                                                                                                                                                                                                                                                                                                                                                                                                                                                                                                                                                                                                                                                                                                                                                                                                                                                                                                                                                                                                                                                                                                                                                                                                                                                                                                                                                                                                                                                                                                                                                                                                                                                                                                                                                                                                                                                                                     |
|--------------------|-----------------------------------------------------------------------------------------------------------------------------------------------------------------------------------------------------------------------------------------------------------------------------------------------------------------------------------------------------------------------------------------------------------------------------------------------------------------------------------------------------------------------------------------------------------------------------------------------------------------------------------------------------------------------------------------------------------------------------------------------------------------------------------------------------------------------------------------------------------------------------------------------------------------------------------------------------------------------------------------------------------------------------------------------------------------------------------------------------------------------------------------------------------------------------------------------------------------------------------------------------------------------------------------------------------------------------------------------------------------------------------------------------------------------------------------------------------------------------------------------------------------------------------------------------------------------------------------------------------------------------------------------------------------------------------------------------------------------------------------------------------------------------------------------------------------------------------------------------------------------------------------------------------------------------------------------------------------------------------------------------------------------------------------------------------------------------------------------------------------------------------------------------------------------------------------------------------------------------------------------------------------------------------------------------------------------------------------------------------------------------------------------------------------------------------------------------|
| <b>Context</b>     | config>qos>sap-egress>fc                                                                                                                                                                                                                                                                                                                                                                                                                                                                                                                                                                                                                                                                                                                                                                                                                                                                                                                                                                                                                                                                                                                                                                                                                                                                                                                                                                                                                                                                                                                                                                                                                                                                                                                                                                                                                                                                                                                                                                                                                                                                                                                                                                                                                                                                                                                                                                                                                            |
| <b>Description</b> | <p>This command explicitly defines the egress IEEE 802.1p (dot1p) bits marking for <i>fc-name</i>. When the marking is set, all packets of <i>fc-name</i> that have either an IEEE 802.1q or IEEE 802.1p encapsulation use the explicitly defined <i>dot1p-value</i>. If the egress packets for <i>fc-name</i> are not IEEE 802.1q or IEEE 802.1p encapsulated, the dot1p command has no effect.</p> <p>The optional <b>in-profile</b> <i>dot1p-value</i> <b>out-profile</b> <i>dot1p-value</i> [<b>exceed-profile</b> <i>dot1p-value</i>] structure added to the existing dot1p command will add the capability to mark on an egress SAP the in, out, and exceed profile status via a certain dot1p combination, similarly with the DE options.</p> <p>Once the <b>in-profile</b> keyword is added, then the <b>out-profile</b> keyword must be specified, however, <b>exceed-profile</b> is optional. If the optional <b>exceed-profile</b> <i>dot1p-value</i> is not included, any exceed profile traffic will be marked with the same dot1p value as configured for the out of profile traffic.</p> <p>The command with the additional structure may be used on the SAP when the internal in, out, and exceed profile status needs to be communicated to an access network/customer device that does not support the DE bit.</p> <p>When these commands are used the DE Bit or the equivalent field is left unchanged by the egress processing if a tag exists. If a new tag is added, the related DE bit is set to 0.</p> <p>When the previous command (dot1p dot1p-value) is used without the new structure, it means that the dot1p-value is used for the entire forwarding class, same as before. The two versions of the command are mutually exclusive.</p> <p>Independently the in or out/exceed profile status may be indicated via the setting of the DE bit setting if the de-mark command is used. The DE value used for exceed profile is the same as that used for out of profile.</p> <p>In the PBB case, for a Backbone SAP (B-SAP) and for packets originated from a local I-VPLS/PBB-Epipe, the command dictates the marking of the dot1p bits for both the BVID and ITAG.</p> <p>The commands <b>dot1p-inner</b> and <b>dot1p-outer</b> take precedence over the dot1p command if both are specified in the same policy.</p> <p>The <b>no</b> form of the command sets the IEEE 802.1p or IEEE 802.1q priority bits to 0.</p> |
| <b>Default</b>     | 0                                                                                                                                                                                                                                                                                                                                                                                                                                                                                                                                                                                                                                                                                                                                                                                                                                                                                                                                                                                                                                                                                                                                                                                                                                                                                                                                                                                                                                                                                                                                                                                                                                                                                                                                                                                                                                                                                                                                                                                                                                                                                                                                                                                                                                                                                                                                                                                                                                                   |
| <b>Parameters</b>  | <p><b>in-profile</b> <i>dot1p-value</i> — Specifies the 802.1p value to set for in-profile frames in this forwarding class.</p> <p style="padding-left: 2em;"><b>Values</b>      0 to 7</p> <p><b>out-profile</b> <i>dot1p-value</i> — specifies the 802.1p value to set for out-profile frames in this forwarding class.</p> <p style="padding-left: 2em;"><b>Values</b>      0 to 7</p> <p><b>exceed-profile</b> <i>dot1p-value</i> — specifies the 802.1p value to set for exceed-profile frames in this forwarding class.</p> <p style="padding-left: 2em;"><b>Values</b>      0 to 7</p>                                                                                                                                                                                                                                                                                                                                                                                                                                                                                                                                                                                                                                                                                                                                                                                                                                                                                                                                                                                                                                                                                                                                                                                                                                                                                                                                                                                                                                                                                                                                                                                                                                                                                                                                                                                                                                                       |

### de-mark-inner

|                    |                                                                                                                                                                                                                                                                                                                                                                                                                                                                                                                                                                                                                                                                                                                                                                                                                                                                                                                                                                                                                                                                                                                                                                                                                                                                                                                                                                                                                                                                                                  |
|--------------------|--------------------------------------------------------------------------------------------------------------------------------------------------------------------------------------------------------------------------------------------------------------------------------------------------------------------------------------------------------------------------------------------------------------------------------------------------------------------------------------------------------------------------------------------------------------------------------------------------------------------------------------------------------------------------------------------------------------------------------------------------------------------------------------------------------------------------------------------------------------------------------------------------------------------------------------------------------------------------------------------------------------------------------------------------------------------------------------------------------------------------------------------------------------------------------------------------------------------------------------------------------------------------------------------------------------------------------------------------------------------------------------------------------------------------------------------------------------------------------------------------|
| <b>Syntax</b>      | <b>[no] de-mark-inner [force de-value]</b>                                                                                                                                                                                                                                                                                                                                                                                                                                                                                                                                                                                                                                                                                                                                                                                                                                                                                                                                                                                                                                                                                                                                                                                                                                                                                                                                                                                                                                                       |
| <b>Context</b>     | config>qos>sap-egress>fc                                                                                                                                                                                                                                                                                                                                                                                                                                                                                                                                                                                                                                                                                                                                                                                                                                                                                                                                                                                                                                                                                                                                                                                                                                                                                                                                                                                                                                                                         |
| <b>Description</b> | <p>This command is used to explicitly define the marking of the DE bit in the inner VLAN tag for fc fc-name on a qinq SAP according to the in and out of profile status of the packet.</p> <p>If no de-value is present, the default values are used for the marking of the DE bit: for example, 0 for in-profile packets, 1 for out-of-profile ones— see IEEE 802.1ad-2005 standard.</p> <p>If the de-value is included in the command line then this value is used for all the inner tags of packets of this forwarding class regardless of their in/out of profile status.</p> <p>This command takes precedence over the <b>de-mark</b> command if both are specified in the same policy and over the default action.</p> <p>The configuration of <b>qinq-mark-top-only</b> under the SAP egress takes precedence over the use of the <b>de-mark-inner</b> in the policy, i.e. the inner VLAN tag is not remarked when <b>qinq-mark-top-only</b> is configured (the marking used for the inner VLAN tag is based on the current default which is governed by the marking of the packet received at the ingress to the system).</p> <p>If <b>no de-mark</b> commands are used, the DE bit is preserved if an ingress inner tag exists, or set to zero otherwise.</p> <p>This command is only supported on FP2 and higher based hardware, and is otherwise ignored.</p> <p>Remarking the inner DE bit is not supported based on the profile result of egress policing.</p> <p>Value: 0 or 1</p> |

### de-mark-outer

|                    |                                                                                                                                                                                                                                                                                                                                                                                                                                                                                                                                                                                                                                                                                                                                                                                                                                  |
|--------------------|----------------------------------------------------------------------------------------------------------------------------------------------------------------------------------------------------------------------------------------------------------------------------------------------------------------------------------------------------------------------------------------------------------------------------------------------------------------------------------------------------------------------------------------------------------------------------------------------------------------------------------------------------------------------------------------------------------------------------------------------------------------------------------------------------------------------------------|
| <b>Syntax</b>      | <b>[no] de-mark-outer [force de-value]</b>                                                                                                                                                                                                                                                                                                                                                                                                                                                                                                                                                                                                                                                                                                                                                                                       |
| <b>Context</b>     | config>qos>sap-egress>fc                                                                                                                                                                                                                                                                                                                                                                                                                                                                                                                                                                                                                                                                                                                                                                                                         |
| <b>Description</b> | <p>This command is used to explicitly define the marking of the DE bit in the outer or single VLAN tag on a qinq or dot1q SAP, respectively, according to the in, out, or exceed of profile status of the packet.</p> <p>If no de-value is present, the default values are used for the marking of the DE bit: for example, 0 for in-profile packets, 1 for out-of-profile/exceed-profile packets— see IEEE 802.1ad-2005 standard.</p> <p>If the de-value is included in the command line then this value is used for all the outer or single tags of packets of this forwarding class regardless of their in/out of profile status.</p> <p>In the PBB case, for a Backbone SAP (B-SAP) and for packets originated from a local I-VPLS/PBB-Epipe, the command dictates the marking of the DE bit for both the BVID and ITAG.</p> |



This command takes precedence over the **de-mark** command if both are specified in the same policy and over the default action.

If **no de-mark** commands are used, the DE bit is preserved if an ingress outer or single tag exists, or set to zero otherwise.

This command is supported on FP2 and higher based hardware, and is otherwise ignored.

Values: 0 or 1

## dot1p-inner

|                    |                                                                                                                                                                                                                                                                                                                                                                                                                                                                                                                                                                                                                                                                                                                                                                                                                                                                                                                                                                                                                                                                                                                                                                                                                                                                                                                                                                                                                                                                                                                                                                                                                                                                                                                                                                                                                                                                                                                                                                                                                                                                                                                                                                                                                                                                                                                                                      |
|--------------------|------------------------------------------------------------------------------------------------------------------------------------------------------------------------------------------------------------------------------------------------------------------------------------------------------------------------------------------------------------------------------------------------------------------------------------------------------------------------------------------------------------------------------------------------------------------------------------------------------------------------------------------------------------------------------------------------------------------------------------------------------------------------------------------------------------------------------------------------------------------------------------------------------------------------------------------------------------------------------------------------------------------------------------------------------------------------------------------------------------------------------------------------------------------------------------------------------------------------------------------------------------------------------------------------------------------------------------------------------------------------------------------------------------------------------------------------------------------------------------------------------------------------------------------------------------------------------------------------------------------------------------------------------------------------------------------------------------------------------------------------------------------------------------------------------------------------------------------------------------------------------------------------------------------------------------------------------------------------------------------------------------------------------------------------------------------------------------------------------------------------------------------------------------------------------------------------------------------------------------------------------------------------------------------------------------------------------------------------------|
| <b>Syntax</b>      | <b>[no] dot1p-inner</b> { <i>dot1p-value</i>   <b>in-profile</b> <i>dot1p-value</i> <b>out-profile</b> <i>dot1p-value</i> }                                                                                                                                                                                                                                                                                                                                                                                                                                                                                                                                                                                                                                                                                                                                                                                                                                                                                                                                                                                                                                                                                                                                                                                                                                                                                                                                                                                                                                                                                                                                                                                                                                                                                                                                                                                                                                                                                                                                                                                                                                                                                                                                                                                                                          |
| <b>Context</b>     | config>qos>sap-egress>fc                                                                                                                                                                                                                                                                                                                                                                                                                                                                                                                                                                                                                                                                                                                                                                                                                                                                                                                                                                                                                                                                                                                                                                                                                                                                                                                                                                                                                                                                                                                                                                                                                                                                                                                                                                                                                                                                                                                                                                                                                                                                                                                                                                                                                                                                                                                             |
| <b>Description</b> | <p>This command explicitly defines the egress inner VLAN tag IEEE 802.1p (dot1p) bits marking for <i>fc-name</i>. When the marking is set, all packets of <i>fc-name</i> that have either an inner IEEE 802.1q or IEEE 802.1p encapsulation on a qinq SAP will use the explicitly defined <i>dot1p-value</i>. If the egress packets for <i>fc-name</i> are not IEEE 802.1q or IEEE 802.1p qinq encapsulated, this command has no effect.</p> <p>The optional <b>in-profile</b>   <i>dot1p-value</i> <b>out-profile</b> <i>dot1p-value</i> parameters on the <b>dot1p-inner</b> command adds the capability to mark the in and out of profile status on an egress qinq SAP. The command with the additional parameters may be used on the SAP when the internal in and out of profile status needs to be communicated to an access network/customer device that does not support the DE bit. Once the in-profile keyword is added, then the rest of the structure must be specified.</p> <p>When these commands are used, the DE Bit or the equivalent field is left unchanged by the egress processing if an inner tag exists. If a new inner tag is added, the related DE bit is set to 0. The in or out profile status may be indicated via the setting of the DE bit setting if the <b>de-mark(-inner)</b> command is used.</p> <p>The two versions of the command (with and without parameters) are mutually exclusive.</p> <p>This command takes precedence over the <b>dot1p</b> command if both are specified in the same policy and over the default action where the marking is taken from packet received at ingress.</p> <p>The configuration of <b>qinq-mark-top-only</b> under the SAP egress takes precedence over the use of the <b>dot1p-inner</b> in the policy, that is, the inner VLAN tag is not remarked when <b>qinq-mark-top-only</b> is configured (the marking used for the inner VLAN tag is based on the current default which is governed by the marking of the packet received at the ingress to the system).</p> <p>The <b>no</b> form of the command sets the inner IEEE 802.1p or IEEE 802.1q priority bits to 0.</p> <p>This command is supported on FP2 and higher based hardware, and is otherwise ignored.</p> <p>Remarking the inner dot1p is not supported based on the profile result of egress policing.</p> |
| <b>Default</b>     | 0                                                                                                                                                                                                                                                                                                                                                                                                                                                                                                                                                                                                                                                                                                                                                                                                                                                                                                                                                                                                                                                                                                                                                                                                                                                                                                                                                                                                                                                                                                                                                                                                                                                                                                                                                                                                                                                                                                                                                                                                                                                                                                                                                                                                                                                                                                                                                    |

## Service SAP QoS Policy Command Reference

- Parameters** *dot1p-value* — Specifies the 802.1p value to set for in-profile frames in this forwarding class.
- Values** 0 to 7
- in-profile** *dot1p-value* — Specifies the 802.1p value to set for in-profile frames in this forwarding class.
- Values** 0 to 7
- out-profile** *dot1p-value* — specifies the 802.1p value to set for out-profile frames in this forwarding class.
- Values** 0 to 7

### dot1p-outer

- Syntax** `[no] dot1p-outer {dot1p-value | in-profile dot1p-value out-profile dot1p-value [exceed-profile dot1p-value]}`
- Context** config>qos>sap-egress>fc
- Description** This command explicitly defines the egress outer or single VLAN tag IEEE 802.1p (dot1p) bits marking for *fc-name*. When the marking is set, all packets of *fc-name* that have either an outer or single IEEE 802.1q or IEEE 802.1p encapsulation on a qinq or a dot1p SAP, respectively, will use the explicitly defined *dot1p-value*. If the egress packets for *fc-name* are not IEEE 802.1q or IEEE 802.1p encapsulated, this command has no effect.

The optional **in-profile** *dot1p-value* **out-profile** *dot1p-value* [**exceed-profile** *dot1p-value*] parameters on the dot1p-outer command adds the capability to mark the in, out, and exceed profile status on an egress qinq or dot1p SAP. The command with the additional parameters may be used on the SAP when the internal in, out, and exceed profile status needs to be communicated to an access network/customer device that does not support the DE bit.

Once the **in-profile** keyword is added, then the **out-profile** keyword must be specified, however, **exceed-profile** is optional. If the optional **exceed-profile** *dot1p-value* is not included, any exceed profile traffic will be marked with the same dot1p value as configured for the out of profile traffic.

When these commands are used, the DE Bit or the equivalent field is left unchanged by the egress processing if a (single or outer) tag exists. If a new tag is added, the related DE bit is set to 0. The in, out, or exceed profile status may be indicated via the setting of the DE bit setting if the **de-mark(-outer)** command is used. The DE value used for exceed profile is the same as that used for out of profile.

In the PBB case, for a Backbone SAP (B-SAP) and for packets originated from a local I-VPLS/PBB-Epipe, the command dictates the marking of the dot1p bits for both the BVID and ITAG.

The two versions of the command (with and without parameters) are mutually exclusive.

This command takes precedence over the **dot1p** command if both are specified in the same policy and over the default action where the marking is taken from packet received at ingress.

The **no** form of the command sets the IEEE 802.1p or IEEE 802.1q priority bits to 0.

This command is supported on FP2 and higher based hardware, and is otherwise ignored.

|                   |                                                                                                                                                                                                                                                                                                                                                                                                                                                                                                                                                                                                                                         |
|-------------------|-----------------------------------------------------------------------------------------------------------------------------------------------------------------------------------------------------------------------------------------------------------------------------------------------------------------------------------------------------------------------------------------------------------------------------------------------------------------------------------------------------------------------------------------------------------------------------------------------------------------------------------------|
| <b>Default</b>    | 0                                                                                                                                                                                                                                                                                                                                                                                                                                                                                                                                                                                                                                       |
| <b>Parameters</b> | <p><i>dot1p-value</i> — Specifies the 802.1p value to set for in-profile frames in this forwarding class.</p> <p><b>Values</b> 0 to 7</p> <p><b>in-profile</b> <i>dot1p-value</i> — Specifies the 802.1p value to set for in-profile frames in this forwarding class.</p> <p><b>Values</b> 0 to 7</p> <p><b>out-profile</b> <i>dot1p-value</i> — specifies the 802.1p value to set for out-profile frames in this forwarding class.</p> <p><b>Values</b> 0 to 7</p> <p><b>exceed-profile</b> <i>dot1p-value</i> — specifies the 802.1p value to set for exceed-profile frames in this forwarding class.</p> <p><b>Values</b> 0 to 7</p> |

## description

|                    |                                                                                                                                                                                                                                                                                                                                                            |
|--------------------|------------------------------------------------------------------------------------------------------------------------------------------------------------------------------------------------------------------------------------------------------------------------------------------------------------------------------------------------------------|
| <b>Syntax</b>      | <b>description</b> <i>string</i><br><b>no description</b>                                                                                                                                                                                                                                                                                                  |
| <b>Context</b>     | config>qos>match-list>ip-prefix-list                                                                                                                                                                                                                                                                                                                       |
| <b>Description</b> | <p>This command creates a text description stored in the configuration file for a configuration context.</p> <p>The <b>description</b> command associates a text string with a configuration context to help identify the context in the configuration file.</p> <p>The <b>no</b> form of the command removes any description string from the context.</p> |
| <b>Default</b>     | none                                                                                                                                                                                                                                                                                                                                                       |
| <b>Parameters</b>  | <i>string</i> — The description character string. Allowed values are any string up to 80 characters long composed of printable, 7-bit ASCII characters. If the string contains special characters (#, \$, spaces, etc.), the entire string must be enclosed within double quotes.                                                                          |

## match-list

|                    |                                                                                            |
|--------------------|--------------------------------------------------------------------------------------------|
| <b>Syntax</b>      | <b>match-list</b>                                                                          |
| <b>Context</b>     | config>qos                                                                                 |
| <b>Description</b> | This command enables the configuration context for match lists to be used in QoS policies. |

### ip-prefix-list

|                    |                                                                                                                                                                                                                                                                                                                            |
|--------------------|----------------------------------------------------------------------------------------------------------------------------------------------------------------------------------------------------------------------------------------------------------------------------------------------------------------------------|
| <b>Syntax</b>      | <b>ip-prefix-list</b> <i>ip-prefix-list-name</i> [ <b>create</b> ]<br><b>no ip-prefix-list</b> <i>ip-prefix-list-name</i>                                                                                                                                                                                                  |
| <b>Context</b>     | config>qos>match-list                                                                                                                                                                                                                                                                                                      |
| <b>Description</b> | <p>This command creates a list of IPv4 prefixes for match criteria in QoS policies.</p> <p>An ip-prefix-list must contain only IPv4 address prefixes created using the prefix command and cannot be deleted if it is referenced by a QoS policy.</p> <p>The <b>no</b> form of this command deletes the specified list.</p> |
| <b>Parameters</b>  | <i>ip-prefix-list-name</i> — A string of up to 32 characters of printable ASCII characters. If special characters are used, the string must be enclosed within double quotes.                                                                                                                                              |

### prefix

|                    |                                                                                                                                                                                                                                                                                                                                                                                                                                                                                                            |
|--------------------|------------------------------------------------------------------------------------------------------------------------------------------------------------------------------------------------------------------------------------------------------------------------------------------------------------------------------------------------------------------------------------------------------------------------------------------------------------------------------------------------------------|
| <b>Syntax</b>      | <b>prefix</b> <i>ip-prefix/prefix-length</i><br><b>no prefix</b> <i>ip-prefix/prefix-length</i>                                                                                                                                                                                                                                                                                                                                                                                                            |
| <b>Context</b>     | config>qos>match-list>ip-prefix-list                                                                                                                                                                                                                                                                                                                                                                                                                                                                       |
| <b>Description</b> | <p>This command adds an IPv4 address prefix to an existing IPv4 address prefix match list.</p> <p>The <b>no</b> form of this command deletes the specified prefix from the list.</p> <p>To add set of unique prefixes, execute the command with all unique prefixes. The prefixes are allowed to overlap IPv4 address space.</p> <p>An IPv4 prefix addition will be blocked, if resource exhaustion is detected anywhere in the system because of QoS Policies that use this IPv4 address prefix list.</p> |
| <b>Default</b>     | none                                                                                                                                                                                                                                                                                                                                                                                                                                                                                                       |
| <b>Parameters</b>  | <i>ip-prefix</i> — A valid IPv4 address prefix in dotted decimal notation.<br><b>Values</b> 0.0.0.0 to 255.255.255.255 (host bit must be 0)<br><i>prefix-length</i> — Length of the entered IP prefix<br><b>Values</b> 1 to 32                                                                                                                                                                                                                                                                             |

## Service Queue QoS Policy Commands

### adaptation-rule

|                    |                                                                                                                                                                                                                                                                                                                                                                                                                                                                                                                                                                                                                                                                                                                                                                                                                                                                                                                                                                                                                                                                                                                                                                                                                                                                                                                                                                                                                                                                                                                                                                                                                                                                                                                                         |
|--------------------|-----------------------------------------------------------------------------------------------------------------------------------------------------------------------------------------------------------------------------------------------------------------------------------------------------------------------------------------------------------------------------------------------------------------------------------------------------------------------------------------------------------------------------------------------------------------------------------------------------------------------------------------------------------------------------------------------------------------------------------------------------------------------------------------------------------------------------------------------------------------------------------------------------------------------------------------------------------------------------------------------------------------------------------------------------------------------------------------------------------------------------------------------------------------------------------------------------------------------------------------------------------------------------------------------------------------------------------------------------------------------------------------------------------------------------------------------------------------------------------------------------------------------------------------------------------------------------------------------------------------------------------------------------------------------------------------------------------------------------------------|
| <b>Syntax</b>      | <b>adaptation-rule</b> [ <b>pir</b> <i>adaptation-rule</i> ] [ <b>cir</b> <i>adaptation-rule</i> ]<br><b>no adaptation-rule</b>                                                                                                                                                                                                                                                                                                                                                                                                                                                                                                                                                                                                                                                                                                                                                                                                                                                                                                                                                                                                                                                                                                                                                                                                                                                                                                                                                                                                                                                                                                                                                                                                         |
| <b>Context</b>     | config>qos>sap-ingress>queue<br>config>qos>sap-egress>queue                                                                                                                                                                                                                                                                                                                                                                                                                                                                                                                                                                                                                                                                                                                                                                                                                                                                                                                                                                                                                                                                                                                                                                                                                                                                                                                                                                                                                                                                                                                                                                                                                                                                             |
| <b>Description</b> | <p>This command defines the method used by the system to derive the operational CIR and PIR settings when the queue is provisioned in hardware. For the CIR and PIR parameters individually, the system attempts to find the best operational rate depending on the defined constraint.</p> <p>The <b>no</b> form of the command removes any explicitly defined constraints used to derive the operational CIR and PIR created by the application of the policy. When a specific <b>adaptation-rule</b> is removed, the default constraints for <b>rate</b> and <b>cir</b> apply.</p>                                                                                                                                                                                                                                                                                                                                                                                                                                                                                                                                                                                                                                                                                                                                                                                                                                                                                                                                                                                                                                                                                                                                                   |
| <b>Default</b>     | adaptation-rule pir closest cir closest                                                                                                                                                                                                                                                                                                                                                                                                                                                                                                                                                                                                                                                                                                                                                                                                                                                                                                                                                                                                                                                                                                                                                                                                                                                                                                                                                                                                                                                                                                                                                                                                                                                                                                 |
| <b>Parameters</b>  | <p><i>adaptation-rule</i> — Specifies the adaptation rule to be used while computing the operational CIR or PIR value.</p> <p><b>Values</b></p> <p><b>pir</b> — Defines the constraints enforced when adapting the PIR rate defined within the <b>queue</b> <i>queue-id</i> <b>rate</b> command. The <b>pir</b> parameter requires a qualifier that defines the constraint used when deriving the operational PIR for the queue. When the <b>rate</b> command is not specified, the default applies.</p> <p><b>cir</b> — Defines the constraints enforced when adapting the CIR rate defined within the <b>queue</b> <i>queue-id</i> <b>rate</b> command. The <b>cir</b> parameter requires a qualifier that defines the constraint used when deriving the operational CIR for the queue. When the <b>cir</b> parameter is not specified, the default constraint applies.</p> <p><b>max</b> — The <b>max</b> (maximum) option is mutually exclusive with the <b>min</b> and <b>closest</b> options. When <b>max</b> is defined, the operational PIR for the queue will be equal to or less than the administrative rate specified using the <b>rate</b> command.</p> <p><b>min</b> — The <b>min</b> (minimum) option is mutually exclusive with the <b>max</b> and <b>closest</b> options. When <b>min</b> is defined, the operational PIR for the queue will be equal to or greater than the administrative rate specified using the <b>rate</b> command.</p> <p><b>closest</b> — The <b>closest</b> parameter is mutually exclusive with the <b>min</b> and <b>max</b> parameter. When <b>closest</b> is defined, the operational PIR for the queue will be the rate closest to the rate specified using the <b>rate</b> command.</p> |

## Service SAP QoS Policy Command Reference

### adv-config-policy

|                    |                                                                                                                                                                                                                                                                                                                                                                                                                                                                                                                                                                                                                                                                                                      |
|--------------------|------------------------------------------------------------------------------------------------------------------------------------------------------------------------------------------------------------------------------------------------------------------------------------------------------------------------------------------------------------------------------------------------------------------------------------------------------------------------------------------------------------------------------------------------------------------------------------------------------------------------------------------------------------------------------------------------------|
| <b>Syntax</b>      | <b>[no] adv-config-policy</b> <i>policy-name</i>                                                                                                                                                                                                                                                                                                                                                                                                                                                                                                                                                                                                                                                     |
| <b>Context</b>     | config>qos>sap-ingress>queue<br>config>qos>sap-egress>queue                                                                                                                                                                                                                                                                                                                                                                                                                                                                                                                                                                                                                                          |
| <b>Description</b> | <p>This command specifies the advanced QoS policy. The advanced QoS policy contains only queue and policer child control parameters within a child-control node.</p> <p>Once a policy is created, it may be applied to a queue or policer defined within a <b>sap-egress</b> or <b>sap-ingress</b> QoS policy. It may also be applied to a queue or policer defined within an ingress or <b>egress queue-group</b> template. When a policy is currently associated with a QoS policy or template, the policy may be modified but not deleted (even in the event that the QoS policy or template is not in use).</p> <p>The <b>no</b> form of this command removes the specified advanced policy.</p> |
| <b>Default</b>     | None                                                                                                                                                                                                                                                                                                                                                                                                                                                                                                                                                                                                                                                                                                 |
| <b>Parameters</b>  | <i>policy-name</i> — The name of the advanced QoS policy.                                                                                                                                                                                                                                                                                                                                                                                                                                                                                                                                                                                                                                            |
| <b>Values</b>      | Valid names consist of any string up to 32 characters long composed of printable, 7-bit ASCII characters. If the string contains special characters (#, \$, spaces, etc.), the entire string must be enclosed within double quotes.                                                                                                                                                                                                                                                                                                                                                                                                                                                                  |

### adaptation-rule

|                    |                                                                                                                                                                                                                                                                                                                                                                                                                                                                                                                                                                                                                                              |
|--------------------|----------------------------------------------------------------------------------------------------------------------------------------------------------------------------------------------------------------------------------------------------------------------------------------------------------------------------------------------------------------------------------------------------------------------------------------------------------------------------------------------------------------------------------------------------------------------------------------------------------------------------------------------|
| <b>Syntax</b>      | <b>adaptation-rule</b> [ <b>pir</b> <i>adaptation-rule</i> ]<br><b>no adaptation-rule</b>                                                                                                                                                                                                                                                                                                                                                                                                                                                                                                                                                    |
| <b>Context</b>     | config>qos>sap-egress>hsmda-queues>queue                                                                                                                                                                                                                                                                                                                                                                                                                                                                                                                                                                                                     |
| <b>Description</b> | <p>This command defines the method used by the system to derive the operational CIR and PIR settings when the queue is provisioned in hardware. For the CIR and PIR parameters individually, the system attempts to find the best operational rate depending on the defined constraint. This command applies only to the 7450 ESS and 7750 SR.</p> <p>The <b>no</b> form of the command removes any explicitly defined constraints used to derive the operational CIR and PIR created by the application of the policy. When a specific <b>adaptation-rule</b> is removed, the default constraints for <b>rate</b> and <b>cir</b> apply.</p> |
| <b>Default</b>     | adaptation-rule pir closest cir closest                                                                                                                                                                                                                                                                                                                                                                                                                                                                                                                                                                                                      |

**Parameters** *adaptation-rule* — Specifies the adaptation rule to be used while computing the operational CIR or PIR value.

**Values** **pir** — Defines the constraints enforced when adapting the PIR rate defined within the **queue** *queue-id* **rate** command. The **pir** parameter requires a qualifier that defines the constraint used when deriving the operational PIR for the queue. When the **rate** command is not specified, the default applies.

**max** — The **max** (maximum) option is mutually exclusive with the **min** and **closest** options. When **max** is defined, the operational PIR for the queue will be equal to or less than the administrative rate specified using the **rate** command.

**min** — The **min** (minimum) option is mutually exclusive with the **max** and **closest** options. When **min** is defined, the operational PIR for the queue will be equal to or greater than the administrative rate specified using the **rate** command.

**closest** — The **closest** parameter is mutually exclusive with the **min** and **max** parameter. When **closest** is defined, the operational PIR for the queue will be the rate closest to the rate specified using the **rate** command.

## avg-frame-overhead

**Syntax** **avg-frame-overhead** *percent*  
**no avg-frame-overhead**

**Context** config>qos>sap-egress>queue

**Description** This command configures the average frame overhead to define the average percentage that the offered load to a queue will expand during the frame encapsulation process before sending traffic on-the-wire. While the avg-frame-overhead value may be defined on any queue, it is only used by the system for queues that egress a Sonet or SDH port or channel. Queues operating on egress Ethernet ports automatically calculate the frame encapsulation overhead based on a 20 byte per packet rule (8 bytes for preamble and 12 bytes for Inter-Frame Gap). This command applies only to the 7450 ESS and 7750 SR.

When calculating the frame encapsulation overhead for port scheduling purposes, the system determines the following values:

- Offered-Load — The offered-load of a queue is calculated by starting with the queue depth in octets, adding the received octets at the queue and subtracting queue discard octets. The result is the number of octets the queue has available to transmit. This is the packet-based offered-load.
- Frame-encapsulation overhead — Using the avg-frame-overhead parameter, the frame-encapsulation overhead is simply the queue's current offered-load (how much has been received by the queue) multiplied by the avg-frame-overhead. If a queue had an offered load of 10,000 octets and the avg-frame-overhead equals 10%, the frame-encapsulation overhead would be 10,000 x 0.1 or 1,000 octets.

## Service SAP QoS Policy Command Reference

For egress Ethernet queues, the frame-encapsulation overhead is calculated by multiplying the number of offered-packets for the queue by 20 bytes. If a queue was offered 50 packets then the frame-encapsulation overhead would be  $50 \times 20$  or 1,000 octets.

- **Frame-based offered-load** — The frame-based offered-load is calculated by adding the offered-load to the frame-encapsulation overhead. If the offered-load is 10,000 octets and the encapsulation overhead was 1,000 octets, the frame-based offered-load would equal 11,000 octets.
- **Packet to frame factor** — The packet -to-frame factor is calculated by dividing the frame-encapsulation overhead by the queue's offered-load (packet based). If the frame-encapsulation overhead is 1,000 octets and the offered-load is 10,000 octets then the packet to frame factor would be  $1,000 / 10,000$  or 0.1. When in use, the avg-frame-overhead will be the same as the packet to frame factor making this calculation unnecessary.
- **Frame-based CIR** — The frame-based CIR is calculated by multiplying the packet to frame factor with the queue's configured CIR and then adding that result to that CIR. If the queue CIR is set at 500 octets and the packet to frame factor equals 0.1, the frame-based CIR would be  $500 \times 1.1$  or 550 octets.
- **Frame-based within-cir offered-load** — The frame-based within-cir offered-load is the portion of the frame-based offered-load considered to be within the frame-based CIR. The frame-based within-cir offered-load is the lesser of the frame-based offered-load and the frame-based CIR. If the frame-based offered-load equaled 11000 octets and the frame-based CIR equaled 550 octets, the frame-based within-cir offered-load would be limited to 550 octets. If the frame-based offered-load equaled 450 octets and the frame-based CIR equaled 550 octets, the frame-based within-cir offered-load would equal 450 octets (or the entire frame-based offered-load).

As a special case, when a queue or associated intermediate scheduler is configured with a CIR-weight equal to 0, the system automatically sets the queue's frame-based within-cir offered-load to 0, preventing it from receiving bandwidth during the port scheduler's within-cir pass.

- **Frame-based PIR** — The frame-based PIR is calculated by multiplying the packet to frame-factor with the queue's-configured PIR and then adding the result to that PIR. If the queue PIR is set to 7500 octets and the packet to frame-factor equals 0.1, the frame-based PIR would be  $7,500 \times 1.1$  or 8,250 octets.
- **Frame-based within-pir offered-load** — The frame-based within-pir offered-load is the portion of the frame-based offered-load considered to be within the frame-based PIR. The frame-based within-pir offered-load is the lesser of the frame-based offered-load and the frame-based PIR. If the frame-based offered-load equaled 11,000 octets and the frame-based PIR equaled 8250 octets, the frame-based within-pir offered-load would be limited to 8,250 octets. If the frame-based offered-load equaled 7,000 octets and the frame-based PIR equaled 8,250 octets, the frame-based within-pir offered load would equal 7,000 octets.

**Port Scheduler Operation Using Frame Transformed Rates** — The port scheduler uses the frame based rates to figure the maximum rates that each queue may receive during the within-cir and above-cir bandwidth allocation passes. During the within-cir pass, a queue may receive up to its frame based within-cir offered-load. The maximum it may receive during the above-cir pass is the difference between the frame based within-pir offered load and the amount of actual bandwidth allocated during the within-cir pass.



SAP and Subscriber SLA-Profile Average Frame Overhead Override — The average frame overhead parameter on a sap-egress may be overridden on an individual egress queue basis. On each SAP and within the sla-profile policy used by subscribers. An avg-frame-overhead command may be defined under the queue-override context for each queue. When overridden, the queue instance will use its local value for the average frame overhead instead of the sap-egress defined overhead.

The **no** form of this command restores the average frame overhead parameter for the queue to the default value of 0 percent. When set to 0, the system uses the packet based queue statistics for calculating port scheduler priority bandwidth allocation. If the no avg-frame-overhead command is executed in a queue-override queue id context, the avg-frame-overhead setting for the queue within the sap-egress QoS policy takes effect.

**Default** 0

**Parameters** *percent* — This parameter sets the average amount of packet-to-frame encapsulation overhead expected for the queue. This value is not used by the system for egress Ethernet queues. This parameter only applies to the 7450 ESS and 7750 SR.

**Values** 0.00 to 100.00

### burst-limit

**Syntax** **burst-limit** {**default** | *size* [**byte** | **kilobyte**]}  
**no burst-limit**

**Context** config>qos>sap-ingress>queue  
config>qos>sap-egress>queue

**Description** The **queue burst-limit** command is used to define an explicit shaping burst size for a queue. The configured size defines the shaping leaky bucket threshold level that indicates the maximum burst over the queue's shaping rate.

The **burst-limit** command is supported under the sap-ingress and sap-egress QoS policy queues. The command is also supported under the ingress and egress queue-group-templates queues.

The **no** form of this command is used to restore the default burst limit to the specified queue. This is equivalent to specifying burst-limit default within the QoS policies or queue group templates. When specified within a queue-override queue context, any current burst limit override for the queue will be removed and the queue's burst limit will be controlled by its defining policy or template.

**Parameters** **default** — The default parameter is mutually exclusive to specifying an explicit size value. When burst-limit default is executed, the queue is returned to the system default value.

## Service SAP QoS Policy Command Reference

*size* — When a numeric value is specified (*size*), the system interprets the value as an explicit burst limit size. The value is expressed as an integer and by default is interpreted as the burst limit in Kilobytes. If the value is intended to be interpreted in bytes, the byte qualifier must be added following *size*.

**Values** 1 to 13,671 kilobites or 14,000,000 bytes

**Default** No default for *size*, use the default keyword to specify default burst limit

**bytes** — The **bytes** qualifier is used to specify that the value given for *size* must be interpreted as the burst limit in bytes. The byte qualifier is optional and mutually exclusive with the kilobytes qualifier.

**kilobytes** — The **kilobyte** qualifier is used to specify that the value given for *size* must be interpreted as the burst limit in Kilobytes. The kilobyte qualifier is optional and mutually exclusive with the bytes qualifier. If neither bytes nor kilobytes is specified, the default qualifier is kilobytes.

### burst-limit

**Syntax** **burst-limit** *size* [**bytes** | **kilobytes**]  
**no burst-limit**

**Context** config>qos>sap-egress>hsmda-queue>queue

**Description** The **queue burst-limit** command is used to define an explicit shaping burst size for a queue. The configured *size* defines the shaping leaky bucket threshold level that indicates the maximum burst over the queue's shaping rate.

The **burst-limit** command is supported under the sap-ingress and sap-egress QoS policy queues. The command is also supported under the ingress and egress queue-group-templates queues.

The **no** form of this command is used to restore the default burst limit to the specified queue. This is equivalent to specifying **burst-limit default** within the QoS policies or queue group templates. When specified within a **queue-override** queue context, any current burst limit override for the queue will be removed and the queue's burst limit will be controlled by its defining policy or template.

**Default** no burst-limit

**Parameters** *size* — When a numeric value is specified (*size*), the system interprets the value as an explicit burst limit size. The value is expressed as an integer and by default is interpreted as the burst limit in Kilobytes. If the value is intended to be interpreted in bytes, the byte qualifier must be added following *size*.

**Values** 1 to 1000000

**Default** No default for *size*, use the default keyword to specify default burst limit

**bytes** — The **bytes** qualifier is used to specify that the value given for size must be interpreted as the burst limit in bytes. The byte qualifier is optional and mutually exclusive with the kilobytes qualifier.

**kilobytes** — The **kilobytes** qualifier is used to specify that the value given for size must be interpreted as the burst limit in Kilobytes. The kilobyte qualifier is optional and mutually exclusive with the bytes qualifier. If neither bytes nor kilobytes is specified, the default qualifier is kilobytes.

### cbs

|                    |                                                                                                                                                                                                                                                                                                                                                                                                                                                                                                                                                                                                                                                                                                                                                                                                                                                                                                                                                                                                                                                                                                                                                                                                                                                                                                                                                                                                                                  |
|--------------------|----------------------------------------------------------------------------------------------------------------------------------------------------------------------------------------------------------------------------------------------------------------------------------------------------------------------------------------------------------------------------------------------------------------------------------------------------------------------------------------------------------------------------------------------------------------------------------------------------------------------------------------------------------------------------------------------------------------------------------------------------------------------------------------------------------------------------------------------------------------------------------------------------------------------------------------------------------------------------------------------------------------------------------------------------------------------------------------------------------------------------------------------------------------------------------------------------------------------------------------------------------------------------------------------------------------------------------------------------------------------------------------------------------------------------------|
| <b>Syntax</b>      | <b>cbs</b> <i>size-in-kbytes</i><br><b>no cbs</b>                                                                                                                                                                                                                                                                                                                                                                                                                                                                                                                                                                                                                                                                                                                                                                                                                                                                                                                                                                                                                                                                                                                                                                                                                                                                                                                                                                                |
| <b>Context</b>     | config>qos>sap-egress>queue<br>config>qos>sap-ingress>queue                                                                                                                                                                                                                                                                                                                                                                                                                                                                                                                                                                                                                                                                                                                                                                                                                                                                                                                                                                                                                                                                                                                                                                                                                                                                                                                                                                      |
| <b>Description</b> | <p>This command provides a mechanism to override the default reserved buffers for the queue. It is permissible, and possibly desirable, to oversubscribe the total CBS reserved buffers for a given access port egress buffer pool. Oversubscription may be desirable due to the potentially large number of service queues and the economy of statistical multiplexing the individual queue's CBS settings into the defined reserved total.</p> <p>When oversubscribing the reserved total, it is possible for a queue depth to be lower than its CBS setting and still not receive a buffer from the buffer pool for an ingress frame. As more queues are using their CBS buffers and the total in use exceeds the defined reserved total, essentially the buffers are being removed from the shared portion of the pool without the shared in use average and total counts being decremented. This can affect the operation of the high and low priority RED slopes on the pool, causing them to miscalculate when to start randomly dropping packets.</p> <p>If the CBS value is larger than the MBS value, the CBS is capped to the value of the MBS or the minimum CBS value. If the MBS and CBS values are configured to be equal (or nearly equal) this will result in the CBS being slightly higher than the value configured.</p> <p>The <b>no</b> form of this command returns the CBS size to the default value.</p> |
| <b>Default</b>     | default                                                                                                                                                                                                                                                                                                                                                                                                                                                                                                                                                                                                                                                                                                                                                                                                                                                                                                                                                                                                                                                                                                                                                                                                                                                                                                                                                                                                                          |
| <b>Parameters</b>  | <p><i>size-in-kbytes</i> — The size parameter is an integer expression of the number of kilobytes reserved for the queue. If a value of 10KBytes is desired, enter the value 10. A value of 0 specifies that no reserved buffers are required by the queue (a minimal reserved size can still be applied for scheduling purposes) The CBS maximum value used is constrained by the pool size in which the queue exists.</p> <p><b>Values</b>     0 to 104857 or default<br/>                            Minimum configurable non-zero value: 6Kbytes on an FP2 and<br/>                            7680 bytes on an FP3<br/>                            Minimum non-zero default value: maximum of 10ms of CIR or<br/>                            6Kbytes on an FP2 and 7680 bytes on an FP3</p>                                                                                                                                                                                                                                                                                                                                                                                                                                                                                                                                                                                                                                 |

### hi-low-prio-only

|                    |                                                                                                                                                                                                                                                                                                                                                                                                                                                                                                                                                                                                                                                                                                                                                                                                                                                                                                          |
|--------------------|----------------------------------------------------------------------------------------------------------------------------------------------------------------------------------------------------------------------------------------------------------------------------------------------------------------------------------------------------------------------------------------------------------------------------------------------------------------------------------------------------------------------------------------------------------------------------------------------------------------------------------------------------------------------------------------------------------------------------------------------------------------------------------------------------------------------------------------------------------------------------------------------------------|
| <b>Syntax</b>      | <b>hi-low-prio-only</b> <i>percent</i><br><b>no hi-low-prio-only</b>                                                                                                                                                                                                                                                                                                                                                                                                                                                                                                                                                                                                                                                                                                                                                                                                                                     |
| <b>Context</b>     | config>qos>sap-egress>queue<br>config>qos>qgrps>egr>qgrp>queue                                                                                                                                                                                                                                                                                                                                                                                                                                                                                                                                                                                                                                                                                                                                                                                                                                           |
| <b>Description</b> | <p>The <b>hi-low-prio-only</b> command configures the percentage of buffer space for the queue, used exclusively by higher priority (in-profile and out-of-profile) packets. The specified value overrides the default value for the context. It is applicable to SAP egress QoS policy queues and egress queue group template queues.</p> <p>The priority of a packet can only be set in the SAP ingress QoS policy and is only applicable on the ingress queues for a SAP. At SAP egress, the priority of a packet is based on its profile state. The <b>no</b> form of this command restores the default higher priority reserved size.</p> <p>The <b>hi-low-prio-only</b> drop tail exists also for egress network queues in a network queue policy, however, in these policies it is not configurable and has a default of an additional 10% of the MBS value on top of the high priority only.</p> |
| <b>Default</b>     | 20%                                                                                                                                                                                                                                                                                                                                                                                                                                                                                                                                                                                                                                                                                                                                                                                                                                                                                                      |
| <b>Parameters</b>  | <i>percent</i> — The percentage reserved for higher priority (in-profile and out-of-profile) traffic on the queue.                                                                                                                                                                                                                                                                                                                                                                                                                                                                                                                                                                                                                                                                                                                                                                                       |
|                    | <b>Values</b> 0 to 100, default                                                                                                                                                                                                                                                                                                                                                                                                                                                                                                                                                                                                                                                                                                                                                                                                                                                                          |

### high-prio-only

|                    |                                                                                                                                                                                                                                                                                                                                                                                                                                                                                                                        |
|--------------------|------------------------------------------------------------------------------------------------------------------------------------------------------------------------------------------------------------------------------------------------------------------------------------------------------------------------------------------------------------------------------------------------------------------------------------------------------------------------------------------------------------------------|
| <b>Syntax</b>      | <b>high-prio-only</b> <i>percent</i><br><b>no high-prio-only</b>                                                                                                                                                                                                                                                                                                                                                                                                                                                       |
| <b>Context</b>     | config>qos>sap-ingress>queue<br>config>qos>sap-egress>queue                                                                                                                                                                                                                                                                                                                                                                                                                                                            |
| <b>Description</b> | <p>The <b>high-prio-only</b> command configures the percentage of buffer space for the queue, used exclusively by high priority packets. The specified value overrides the default value for the context.</p> <p>The priority of a packet can only be set in the SAP ingress QoS policy and is only applicable on the ingress queues for a SAP. At SAP egress, the priority of a packet is based on its profile state.</p> <p>The <b>no</b> form of this command restores the default high priority reserved size.</p> |
| <b>Parameters</b>  | <i>percent</i> — The percentage reserved for high priority traffic on the queue.                                                                                                                                                                                                                                                                                                                                                                                                                                       |
|                    | <b>Values</b> 0 to 100, default                                                                                                                                                                                                                                                                                                                                                                                                                                                                                        |

## mbs

|                    |                                                                                                                                                                                                                                                                                                                                                                                                                                                                                                                                                                                                                                                                                                                                                                                                                                                                                                                                                                                                                                                                                                                                                                                                                                                                                                                                                                                                                                                                    |
|--------------------|--------------------------------------------------------------------------------------------------------------------------------------------------------------------------------------------------------------------------------------------------------------------------------------------------------------------------------------------------------------------------------------------------------------------------------------------------------------------------------------------------------------------------------------------------------------------------------------------------------------------------------------------------------------------------------------------------------------------------------------------------------------------------------------------------------------------------------------------------------------------------------------------------------------------------------------------------------------------------------------------------------------------------------------------------------------------------------------------------------------------------------------------------------------------------------------------------------------------------------------------------------------------------------------------------------------------------------------------------------------------------------------------------------------------------------------------------------------------|
| <b>Syntax</b>      | <b>mbs</b> <i>size</i> [ <b>bytes</b>   <b>kilobytes</b> ]<br><b>no mbs</b>                                                                                                                                                                                                                                                                                                                                                                                                                                                                                                                                                                                                                                                                                                                                                                                                                                                                                                                                                                                                                                                                                                                                                                                                                                                                                                                                                                                        |
| <b>Context</b>     | config>qos>sap-egress>queue<br>config>qos>sap-ingress>queue                                                                                                                                                                                                                                                                                                                                                                                                                                                                                                                                                                                                                                                                                                                                                                                                                                                                                                                                                                                                                                                                                                                                                                                                                                                                                                                                                                                                        |
| <b>Description</b> | <p>The Maximum Burst Size (MBS) command provides the explicit definition of the maximum amount of buffers allowed for a specific queue. The value is given in bytes or kilobytes and overrides the default value for the context.</p> <p>The MBS value is used by a queue to determine whether it has exhausted all of its buffers while enqueueing packets. Once the queue has exceeded the amount of buffers allowed by MBS, all packets are discarded until packets have been drained from the queue.</p> <p>The sap-ingress context for mbs provides a mechanism for overriding the default maximum size for the queue.</p> <p>The sum of the MBS for all queues on an ingress access port can oversubscribe the total amount of buffering available. When congestion occurs and buffers become scarce, access to buffers is controlled by the RED slope a packet is associated with. A queue that has not exceeded its MBS size is not guaranteed that a buffer will be available when needed or that the packets RED slope will not force the discard of the packet. Setting proper CBS parameters and controlling CBS oversubscription is one major safeguard to queue starvation (when a queue does not receive its fair share of buffers). Another is properly setting the RED slope parameters for the needs of services on this port or channel.</p> <p>The <b>no</b> form of this command returns the MBS size assigned to the queue to the value.</p> |
| <b>Default</b>     | default                                                                                                                                                                                                                                                                                                                                                                                                                                                                                                                                                                                                                                                                                                                                                                                                                                                                                                                                                                                                                                                                                                                                                                                                                                                                                                                                                                                                                                                            |
| <b>Parameters</b>  | <p><i>size</i> [<b>bytes</b>   <b>kilobytes</b>] — The size parameter is an integer expression of the maximum number of bytes or kilobytes of buffering allowed for the queue. The default unit is kilobytes; to configure the MBS in bytes specify the bytes parameter. A value of 0 causes the queue to discard all packets. The queue MBS maximum value used is constrained by the pool size in which the queue exists and by the shared pool space in the corresponding megapool.</p> <p><b>Values</b>      0 to 131072 or default<br/>                       Minimum configurable non-zero value: 1 byte<br/>                       Minimum default value: maximum of 10ms of PIR or 64Kbytes</p>                                                                                                                                                                                                                                                                                                                                                                                                                                                                                                                                                                                                                                                                                                                                                             |

## packet-byte-offset

|                |                                                                                                                      |
|----------------|----------------------------------------------------------------------------------------------------------------------|
| <b>Syntax</b>  | <b>packet-byte-offset</b> { <b>add</b> <i>bytes</i>   <b>subtract</b> <i>bytes</i> }<br><b>no packet-byte-offset</b> |
| <b>Context</b> | config>qos>sap-egress>queue                                                                                          |

## Service SAP QoS Policy Command Reference

**Description** This command is used to modify the size of each packet handled by the queue by adding or subtracting a number of bytes. The actual packet size is not modified; only the size used to determine the bucket depth impact is changed.

The `packet-byte-offset` command is meant to be an arbitrary mechanism that can be used to either add downstream frame encapsulation or remove portions of packet headers.

When a `packet-byte-offset` value is applied to a queue instance, it adjusts the immediate packet size. This means that the queue rates, i.e., operational PIR and CIR, and queue bucket updates use the adjusted packet size. In addition, the queue statistics will also reflect the adjusted packet size. Scheduler policy rates, which are data rates, will use the adjusted packet size.

The port scheduler max-rate and the priority level rates and weights, if a Weighted Scheduler Group is used, are always on-the-wire rates and thus use the actual frame size. The same goes for the `agg-rate-limit` on a SAP, a subscriber, or a Multi-Service Site (MSS) when the queue is port-parented.

When the user enables frame-based-accounting in a scheduler policy or queue-frame-based-accounting with `agg-rate-limit` in a port scheduler policy, the queue rate will be capped to a user configured on-the-wire rate but the `packet-byte-offset` value is still in effect as explained above. This command is ignored on FP1 hardware.

The **no** form of this command is used to remove per packet size modifications from the queue.

**Parameters** **add** *bytes* — The **add** keyword is mutually exclusive to the **subtract** keyword. Either parameter must be specified. When **add** is defined, the corresponding `bytes` parameter specifies the number of bytes that is added to the size of each packet associated with the queue for scheduling and accounting purposes.

**Values** 0 to 32

**Default** None

**subtract** *bytes* — The **subtract** keyword is mutually exclusive to the **add** keyword. Either parameter must be specified. When **subtract** is defined, the corresponding `bytes` parameter specifies the number of bytes that is subtracted to the size of each packet associated with the queue for scheduling and accounting purposes. The minimum resulting packet size used by the system is 1 byte.

**Values** 0 to 64

**Default** None

### packet-byte-offset

**Syntax** `packet-byte-offset {add bytes | subtract bytes}`  
`no packet-byte-offset`

**Context** `config>qos>sap-ingress>queue`

**Description** This command is used to modify the size of each packet handled by the queue by adding or subtracting a number of bytes. The actual packet size is not modified; only the size used to determine the ingress scheduling and profiling is changed. The packet-byte-offset command is meant to be an arbitrary mechanism that can be used to either add downstream frame encapsulation or remove portions of packet headers. Both the scheduling and profiling throughput is affected by the offset as well as the stats (accounting) associated with the queue. The packet-byte-offset does not apply to drop statistics, received valid statistics, or the offered managed and unmanaged statistics used by Ingress Multicast Path Management.

The no version of this command is used to remove per packet size modifications from the queue.

**Parameters** **add** *bytes* — The add keyword is mutually exclusive to the subtract keyword. Either add or subtract must be specified. When add is defined the corresponding bytes parameter specifies the number of bytes that is added to the size each packet associated with the queue for scheduling, profiling and accounting purposes. From the queue's perspective, the packet size is increased by the amount being added to the size of each packet.

**Values** 0 to 30, in steps of 2

**Default** None

**subtract** *bytes* — The subtract keyword is mutually exclusive to the add keyword. Either add or subtract must be specified. When subtract is defined the corresponding bytes parameter specifies the number of bytes that is subtracted from the size of each packet associated with the queue for scheduling, profiling and accounting purposes. From the queue's perspective, the packet size is reduced by the amount being subtracted from the size of each packet. The minimum resulting packet size used by the system is 1 byte.

**Values** Values 0 to 64, in steps of 2

**Default** None

## parent

**Syntax** **parent** *scheduler-name* [**weight** *weight*] [**level** *level*] [**cir-weight** *cir-weight*] [**cir-level** *cir-level*]  
**no parent**

**Context** config>qos>sap-ingress>queue  
config>qos>sap-egress>queue

**Description** This command defines an optional parent scheduler that further governs the available bandwidth given the queue aside from the queue's PIR setting. When multiple schedulers and/or queues share a child status with the parent scheduler, the **weight** or **level** parameters define how this queue contends with the other children for the parent's bandwidth.

Checks are not performed to see if a *scheduler-name* exists when the parent command is defined on the queue. Scheduler names are configured in the **config>qos>scheduler-policy>tier level** context. Multiple schedulers can exist with the *scheduler-name* and the association pertains to a scheduler that should exist on the egress SAP as the policy is applied and the queue created. When the queue is created on the egress SAP, the existence of the *scheduler-name* is dependent on a scheduler policy

## Service SAP QoS Policy Command Reference

containing the *scheduler-name* being directly or indirectly applied (through a multi-service customer site) to the egress SAP. If the *scheduler-name* does not exist, the queue is placed in the orphaned operational state. The queue will accept packets but will not be bandwidth limited by a virtual scheduler or the scheduler hierarchy applied to the SAP. The orphaned state must generate a log entry and a trap message. The SAP which the queue belongs to must also depict an orphan queue status. The orphaned state of the queue is automatically cleared when the *scheduler-name* becomes available on the egress SAP.

The parent scheduler can be made unavailable due to the removal of a scheduler policy or scheduler. When an existing parent scheduler is removed or inoperative, the queue enters the orphaned state mentioned above and automatically return to normal operation when the parent scheduler is available again.

When a parent scheduler is defined without specifying weight or strict parameters, the default bandwidth access method is weight with a value of 1.

The **no** form of the command removes a child association with a parent scheduler. If a parent association does not currently exist, the command has no effect and returns without an error. Once a parent association has been removed, the former child queue attempts to operate based on its configured rate parameter. Removing the parent association on the queue within the policy takes effect immediately on all queues using the SAP egress QoS policy.

### Parameters

*scheduler-name* — The defined *scheduler-name* conforms to the same input criteria as the schedulers defined within a scheduler policy. Scheduler names are configured in the `config>qos>scheduler-policy>tier level` context. There are no checks performed at the time of definition to ensure that the *scheduler-name* exists within an existing scheduler policy. For the queue to use the defined *scheduler-name*, the scheduler exists on each egress SAP the queue is eventually created on. For the duration where *scheduler-name* does not exist on the egress SAP, the queue operates in an orphaned state.

**Values** Any string up to 32 characters long composed of printable, 7-bit ASCII characters. If the string contains special characters (#, \$, spaces, etc.), the entire string must be enclosed within double quotes.

**Default** None. Each parental association must be explicitly defined.

**weight** *weight* — *weight* defines the relative weight of this queue in comparison to other child schedulers and queues while vying for bandwidth on the parent *scheduler-name*. Any queues or schedulers defined as weighted receive no parental bandwidth until all strict queues and schedulers on the parent have reached their maximum bandwidth or are idle. In this manner, weighted children are considered to be the lowest priority.



All **weight** values from all weighted active queues and schedulers with a common parent scheduler are added together. Then, each individual active weight is divided by the total, deriving the percentage of remaining bandwidth provided to the queue or scheduler after the strict children are serviced. A weight is considered to be active when the pertaining queue or scheduler has not reached its maximum rate and still has packets to transmit. All child queues and schedulers with a weight of 0 are considered to have the lowest priority level and are not serviced until all strict and non-zero weighted queues and schedulers are operating at the maximum bandwidth or are idle.

**Values** 0 to 100

**Default** 1

**level** *level* — The optional **level** parameter defines the level of hierarchy when compared to other schedulers and queues when vying for bandwidth on the parent *scheduler-name*. Any queues or schedulers defined as **strict** receive no parental bandwidth until all strict queues and schedulers with a higher (numerically larger) priority on the parent have reached their maximum bandwidth or are idle.

Children of the parent scheduler with a lower strict priority or that are weighted will not receive bandwidth until all children with a higher strict priority have either reached their maximum bandwidth or are idle. Children with the same strict level are serviced in a round robin fashion.

**Values** 1 to 100

**Default** 1

**cir-weight** *cir-weight* — Defines the weight the queue or scheduler will use at the within-cir port priority level (defined by the *cir-level* parameter). The weight is specified as an integer value from 0 to 100 with 100 being the highest weight. When the *cir-weight* parameter is set to a value of 0 (the default value), the queue or scheduler does not receive bandwidth during the port schedulers within-cir pass and the *cir-level* parameter is ignored. If the *cir-weight* parameter is 1 or greater, the *cir-level* parameter comes into play.

**Values** 0 to 100

**cir-level** *cir-level* — Defines the port priority the queue or scheduler will use to receive bandwidth for its within-cir offered-load. If the *cir-weight* parameter is set to a value of 0 (the default value), the queue or scheduler does not receive bandwidth during the port schedulers within-cir pass and the *cir-level* parameter is ignored. If the *cir-weight* parameter is 1 or greater, the *cir-level* parameter comes into play.

**Values** 0 to 8 (8 is the highest priority)

**Default** 0

## percent-rate

**Syntax** **percent-rate** *pir-percent* [**cir** *cir-percent*] [**port-limit** | **local-limit**]  
**percent-rate** *pir-percent* **police** [**port-limit** | **local-limit**]  
**no percent-rate**

**Context** config>qos>sap-egress>queue

## Service SAP QoS Policy Command Reference

```
config>qos>sap-ingress>queue
```

### Description

The percent-rate command within the SAP ingress and egress QoS policy enables supports for a queue's PIR and CIR rate to be configured as a percentage of the egress port's line rate or of its parent scheduler's rate. When the rates are expressed as a port-limit, the actual rates used per instance of the queue will vary based on the port speed. For example, when the same QoS policy is used on a 1-Gigabit and a 10-Gigabit Ethernet port, the queue's rates will be 10 times greater on the 10 Gigabit port due to the difference in port speeds. This enables the same QoS policy to be used on SAPs on different ports without needing to use SAP based queue overrides to modify a queue's rate to get the same relative performance from the queue.

If the port's speed changes after the queue is created, the queue's PIR and CIR rates will be recalculated based on the defined percentage value.

When the rates are expressed as a local-limit, the actual rates used per instance of the queue are relative to the queue's parent scheduler rate. This enables the same QoS policy to be used on SAPs with different parent scheduler rates without needing to use SAP based queue overrides to modify a queue's rate to get the same relative performance from the queue. If the parent scheduler rate changes after the queue is created, the queue's PIR and CIR rates will be recalculated based on the defined percentage value.

The rate and percent-rate commands override one another. If the current rate for a queue is defined using the percent-rate command and the rate command is executed, the percent-rate values are deleted. In a similar fashion, the percent-rate command causes any rate command values to be deleted. A queue's rate may dynamically be changed back and forth from a percentage to an explicit rate at anytime.

Queue rate overrides can only be specified in the form as configured in the QoS policy (a SAP override can only be specified as a percent-rate if the associated QoS policy was also defined as percent-rate). Likewise, a SAP override can only be specified as a rate (kbps) if the associated QoS policy was also defined as a rate. Queue-overrides are relative to the limit type specified in the QoS policy.

The **no** form of this command returns the queue to its default shaping rate and cir rate. When no percent-rate is defined within a SAP ingress or egress queue-override, the queue reverts to the defined shaping and CIR rates within the SAP ingress and egress QoS policy associated with the queue.

### Parameters

*pir-percent* — The *pir-percent* parameter is used to express the queue's PIR as a percentage dependent on the use of the port-limit or local-limit.

**Values** Percentage ranging from 0.01 to 100.00. The default is 100.00.

**cir** *cir-percent* — The **cir** keyword is optional and when defined the required *cir-percent* CIR parameter expresses the queue's CIR as a percentage dependent on the use of the port-limit or local-limit.

**Values** Percentage ranging from 0.00 to 100.00. The default is 100.00

**port-limit** — The **port-limit** keyword specifies that the configure PIR and CIR percentages are relative to the rate of the port (including the **ingress-rate/egress-rate** setting) to which this queue connects.

**local-limit** — The **local-limit** keyword specifies that the configure PIR and CIR percentages are relative to the rate of the queue's parent scheduler **rate** or **agg-rate** rate at egress.

## pool

|                    |                                                                                                                                                                                                                                                                                                                                                                                                                                                                                                                                                                                                                                                                                                                                                                                                                                                |
|--------------------|------------------------------------------------------------------------------------------------------------------------------------------------------------------------------------------------------------------------------------------------------------------------------------------------------------------------------------------------------------------------------------------------------------------------------------------------------------------------------------------------------------------------------------------------------------------------------------------------------------------------------------------------------------------------------------------------------------------------------------------------------------------------------------------------------------------------------------------------|
| <b>Syntax</b>      | <b>pool</b> <i>pool-name</i><br><b>no pool</b> <i>pool-name</i>                                                                                                                                                                                                                                                                                                                                                                                                                                                                                                                                                                                                                                                                                                                                                                                |
| <b>Context</b>     | config>qos>sap-ingress>queue<br>config>qos>sap-egress>queue                                                                                                                                                                                                                                                                                                                                                                                                                                                                                                                                                                                                                                                                                                                                                                                    |
| <b>Description</b> | <p>This command is utilized once the queue is created within the policy. The pool command can be used to either remove the queue from the pool, or specify a new pool name association for the queue. The pool command does not appear in save or show command output. Instead, the current pool name for the queue will appear (or not appear) on the queue command output using the pool keyword.</p> <p>The <b>no</b> pool command is used to remove a named pool association for the queue. When the pool name is removed, the queue will be placed on the appropriate default pool.</p> <p>This command only applies to the 7450 ESS and 7750 SR.</p>                                                                                                                                                                                     |
| <b>Default</b>     | None                                                                                                                                                                                                                                                                                                                                                                                                                                                                                                                                                                                                                                                                                                                                                                                                                                           |
| <b>Parameters</b>  | <p><i>pool-name</i> — The specified <i>pool-name</i> identifies a named pool where the policy will be applied. Each queue created within the system is tied to a physical port. When the policy is applied and the queue is created, the system will scan the named pools associated with the port to find the specified pool name. If the pool is not found on the port, the system will then look at named pools defined at the ports MDA level. If the pool name is not found on either the port or MDA, the queue will be marked as ‘pool-orphaned’ and will be mapped to the appropriate default pool. If the pool comes into existence, the queue will be moved from the default pool to the new named pool and the ‘pool-orphaned’ state will be cleared. The specified name must be an ASCII name string up to 32 characters long.</p> |

## port-parent

|                    |                                                                                                                                                                                                                                                                                                                                                                                                                                                                                                                                                                                                                                                                                                                                                                                                                                                                                                                                                          |
|--------------------|----------------------------------------------------------------------------------------------------------------------------------------------------------------------------------------------------------------------------------------------------------------------------------------------------------------------------------------------------------------------------------------------------------------------------------------------------------------------------------------------------------------------------------------------------------------------------------------------------------------------------------------------------------------------------------------------------------------------------------------------------------------------------------------------------------------------------------------------------------------------------------------------------------------------------------------------------------|
| <b>Syntax</b>      | <b>port-parent</b> [ <b>weight</b> <i>weight</i> ] [ <b>level</b> <i>level</i> ] [ <b>cir-weight</b> <i>cir-weight</i> ] [ <b>cir-level</b> <i>cir-level</i> ]<br><b>no port-parent</b>                                                                                                                                                                                                                                                                                                                                                                                                                                                                                                                                                                                                                                                                                                                                                                  |
| <b>Context</b>     | config>qos>sap-egress>queue                                                                                                                                                                                                                                                                                                                                                                                                                                                                                                                                                                                                                                                                                                                                                                                                                                                                                                                              |
| <b>Description</b> | <p>This command specifies whether this queue feeds off a port-level scheduler. When configured, this SAP egress queue is parented by a port-level scheduler. This object is mutually exclusive with SAP egress queue parent. Only one kind of parent is allowed.</p> <p>The <b>port-parent</b> command defines a child/parent association between an egress queue and a port based scheduler or between an intermediate service scheduler and a port based scheduler. The command may be issued in three distinct contexts; <b>sap-egress queue</b> <i>queue-id</i>, <b>network-queue</b> <i>queue-id</i> and <b>scheduler-policy scheduler</b> <i>scheduler-name</i>. The <b>port-parent</b> command allows for a set of within-cir and above-CIR parameters that define the port priority levels and weights for the queue or scheduler. If the <b>port-parent</b> command is executed without any parameters, the default parameters are assumed.</p> |

## Service SAP QoS Policy Command Reference

In this context, the **port-parent** command is mutually exclusive to the **parent** command (used to create a parent/child association between a queue and an intermediate scheduler). Executing a **port-parent** command when a parent definition is in place causes the current intermediate scheduler association to be removed and replaced by the defined port-parent association. Executing a **parent** command when a port-parent definition exists causes the port scheduler association to be removed and replaced by the defined intermediate scheduler name.

Changing the parent context on a SAP egress policy queue may cause a SAP or subscriber or multi-service site context of the queue (policy associated with a SAP or subscriber profile or multi-service site) to enter an orphaned state. If an instance of a queue is created on a port or channel that does not have a port scheduler enabled and the sap-egress policy creating the queue has a port-parent association, the queue will be allowed to run according to its own rate parameters and will not be controlled by a virtual scheduling context. If an instance of a queue is on a port or channel that has a port scheduler configured and the sap-egress policy defines the queue as having a non-existent intermediate scheduler parent, the queue will be treated as an orphan and will be handled according to the current orphan behavior on the port scheduler.

The **no** form of this command removes a port scheduler parent association for the queue or scheduler. If a port scheduler is defined on the port which the queue or scheduler instance exists, the queue or scheduler will become orphaned if an port scheduler is configured on the egress port of the queue or scheduler.

|                   |                                                                                                                                                                                                                                                                                                                                                                                                                                                                                                                                                                                                  |
|-------------------|--------------------------------------------------------------------------------------------------------------------------------------------------------------------------------------------------------------------------------------------------------------------------------------------------------------------------------------------------------------------------------------------------------------------------------------------------------------------------------------------------------------------------------------------------------------------------------------------------|
| <b>Default</b>    | no port-parent                                                                                                                                                                                                                                                                                                                                                                                                                                                                                                                                                                                   |
| <b>Parameters</b> | <b>weight</b> <i>weight</i> — Defines the weight the queue or scheduler will use at the above-cir port priority level (defined by the level parameter).<br><b>Values</b> 0 to 100<br><b>Default</b> 1                                                                                                                                                                                                                                                                                                                                                                                            |
|                   | <b>level</b> <i>level</i> — Defines the port priority the queue or scheduler will use to receive bandwidth for its above-cir offered-load.<br><b>Values</b> 1 to 8 (8 is the highest priority)<br><b>Default</b> 1                                                                                                                                                                                                                                                                                                                                                                               |
|                   | <b>cir-weight</b> <i>cir-weight</i> — Defines the weight the queue or scheduler will use at the within-cir port priority level (defined by the cir-level parameter). The weight is specified as an integer value from 0 to 100 with 100 being the highest weight. When the cir-weight parameter is set to a value of 0 (the default value), the queue or scheduler does not receive bandwidth during the port schedulers within-cir pass and the cir-level parameter is ignored. If the cir-weight parameter is 1 or greater, the cir-level parameter comes into play.<br><b>Values</b> 0 to 100 |

**cir-level** *cir-level* — Defines the port priority the queue or scheduler will use to receive bandwidth for its within-cir offered-load. If the *cir-weight* parameter is set to a value of 0 (the default value), the queue or scheduler does not receive bandwidth during the port schedulers within-cir pass and the *cir-level* parameter is ignored. If the *cir-weight* parameter is 1 or greater, the *cir-level* parameter comes into play.

**Values** 0 to 8 (8 is the highest priority)

**Default** 0

## rate

**Syntax** **rate** *pir-rate* [**cir** *cir-rate* | **police**]  
**no rate**

**Context** config>qos>sap-ingress>queue

**Description** This command defines the administrative Peak Information Rate (PIR) and the administrative Committed Information Rate (CIR) parameters for the queue. The PIR defines the maximum rate that the queue can transmit packets through the switch fabric (for SAP ingress queues). Defining a PIR does not necessarily guarantee that the queue can transmit at the intended rate. The actual rate sustained by the queue can be limited by oversubscription factors or available egress bandwidth.

The CIR defines the rate at which the system prioritizes the queue over other queues competing for the same bandwidth. For SAP ingress, the CIR also defines the rate that packets are considered in-profile by the system. In-profile then out-of-profile packets are preferentially queued by the system at egress and at subsequent next hop nodes where the packet can traverse. To be properly handled throughout the network, the packets must be marked accordingly for profiling at each hop.

The CIR can be used by the queue's parent commands *cir-level* and *cir-weight* parameters to define the amount of bandwidth considered to be committed for the child queue during bandwidth allocation by the parent scheduler.

The **rate** command can be executed at anytime, altering the PIR and CIR rates for all queues created through the association of the SAP ingress or SAP egress QoS policy with the *queue-id*.

The **no** form of the command returns all queues created with the *queue-id* by association with the QoS policy to the default PIR and CIR parameters (**max**, 0).

**Parameters** **rate max cir 0** — The **max** default specifies the amount of bandwidth in kilobits per second (thousand bits per second). The **max** value is mutually exclusive to the **pir-rate** value.

*pir-rate* — Defines the administrative PIR rate, in kilobits, for the queue. When the **rate** command is executed, a valid PIR setting must be explicitly defined. When the **rate** command has not been executed, the default PIR of **max** is assumed.

Fractional values are not allowed and must be given as a positive integer.

## Service SAP QoS Policy Command Reference

The actual PIR rate is dependent on the queue's **adaptation-rule** parameters and the actual hardware where the queue is provisioned.

**Values** [1 to 200000000 | **max**] **kbps**

**Default** max

*cir-rate* — The **cir** parameter overrides the default administrative CIR used by the queue. When the **rate** command is executed, a CIR setting is optional. When the **rate** command has not been executed or the **cir** parameter is not explicitly specified, the default CIR (0) is assumed. Fractional values are not allowed and must be given as a positive integer.

**Values** [0 to 200000000 | **max**] **kbps**

**Default** 0

**police** — Specifies that the out of profile traffic feeding into the physical queue instance should be dropped. Using this keyword will override the bandwidth specified by the SAP ingress queue's administrative CIR.

### rate

**Syntax** **rate** *pir-rate* [**cir** *cir-rate*]  
**no rate**

**Context** config>qos>sap-egress>queue

**Description** This command defines the administrative Peak Information Rate (PIR) and the administrative Committed Information Rate (CIR) parameters for the queue. The PIR defines the maximum rate that the queue can transmit packets out an egress interface (for SAP egress queues). Defining a PIR does not necessarily guarantee that the queue can transmit at the intended rate. The actual rate sustained by the queue can be limited by oversubscription factors or available egress bandwidth.

The CIR defines the rate at which the system prioritizes the queue over other queues competing for the same bandwidth. In-profile packets are preferentially queued by the system at egress and at subsequent next hop nodes where the packet can traverse. To be properly handled as in- or out-of-profile throughout the network, the packets must be marked accordingly for profiling at each hop.

The CIR can be used by the queue's parent commands *cir-level* and *cir-weight* parameters to define the amount of bandwidth considered to be committed for the child queue during bandwidth allocation by the parent scheduler.

The **rate** command can be executed at anytime, altering the PIR and CIR rates for all queues created through the association of the SAP egress QoS policy with the *queue-id*.

The **no** form of the command returns all queues created with the *queue-id* by association with the QoS policy to the default PIR and CIR parameters (**max**, 0).

**Parameters** **rate max cir 0** — The **max** default specifies the amount of bandwidth in kilobits per second (thousand bits per second). The **max** value is mutually exclusive to the **pir-rate** value.

*pir-rate* — Defines the administrative PIR rate, in kilobits, for the queue. When the **rate** command is executed, a valid PIR setting must be explicitly defined. When the **rate** command has not been executed, the default PIR of **max** is assumed.

Fractional values are not allowed and must be given as a positive integer.

The actual PIR rate is dependent on the queue's **adaptation-rule** parameters and the actual hardware where the queue is provisioned.

**Values** [1 to 200000000 | **max**] **kbps**

**Default** max

*cir-rate* — The **cir** parameter overrides the default administrative CIR used by the queue. When the **rate** command is executed, a CIR setting is optional. When the **rate** command has not been executed or the **cir** parameter is not explicitly specified, the default CIR (0) is assumed. Fractional values are not allowed and must be given as a positive integer.

**Values** [0 to 200000000 | **max**] **kbps**

**Default** 0

## rate

**Syntax** **rate** *pir-rate* {**max** | *kilobits-per-second*}  
**no rate**

**Context** config>qos>sap-egress>hsmda-queues>queue

**Description** This command configures a rate limit (PIR) for scheduling packets out of the queue and an optional CIR rate used to determine the profile of packets scheduled from the queue. Configuring a rate limit for a queue on an HSMDA is optional; the default rate is set to maximum (max) causing the shaper to have no effect. The **cir** keyword is used to configure the rate threshold between the in-profile and out-of-profile state of the queue during scheduling from the queue. This command only applies to the 7450 ESS and 7750 SR.

Since the CIR leaky bucket is updated during scheduling events and not enqueueing events. The profiling function is not based on packet arrival. Instead, the queue absorbs bursts that exceed the queues forwarding rate. In this case, burst tolerance is more heavily affected by the maximum queue depth (mbs) and the PIR shaping behavior then the CIR leaky bucket behavior.

### Egress Profiling Based Dot1P Remarking

HSMDA egress queues are capable of remarking Dot1P and DEI bits based on the current state of the queues CIR. Egress Dot1P remarking is enabled at the forwarding class level. Using egress profiling based Dot1P remarking, either two distinct Dot1P values may be used to distinguish in-profile and out-of-profile, or just the DEI bit may be toggled.

### SAP and Subscriber Queue Rate Overrides

The shaping rate and CIR values may be overridden on each SAP or subscriber to which the QoS policy is associated.

## Service SAP QoS Policy Command Reference

The **no** form of the command returns all queues created with the *queue-id* by association with the QoS policy to the default PIR and CIR parameters (**max**, 0).

**Parameters** *pir-rate* — Defines the administrative PIR rate, in kilobits, for the queue. When the **rate** command is executed, a valid PIR setting must be explicitly defined. When the **rate** command has not been executed, the default PIR of **max** is assumed.

Fractional values are not allowed and must be given as a positive integer.

The actual PIR rate is dependent on the queue's **adaptation-rule** parameters and the actual hardware where the queue is provisioned.

**Values** 1 to 100000000, **max**

**Default** max

## wred-queue

**Syntax** **wred-queue** [**policy** *slope-policy-name*] [**mode** {**native** | **pool-per-queue**}] [**slope-usage** {**default** | **exceed-low**}]  
**no wred-queue**

**Context** config>qos>sap-egress>queue

**Description** This command allows the configuration of WRED per queue with the following options:

- **Native hardware WRED**  
This uses the hardware per queue WRED capabilities of the FP3 and is configured with the **native** keyword.
- **Pool per queue WRED**  
This implements each queue in its own pool and uses the WRED capabilities of the pool to provide WRED per queue. This is supported on both FP2 and later hardware and is configured with the **pool-per-queue** keyword.

### Native Hardware WRED

When the **wred-queue mode native** command is configured, the queue uses the WRED capabilities of the FP3. In this case the out and exceed profile traffic map to the low and exceed WRED slopes specified within the slope policy, and the in profile traffic uses the MBS drop tail; this requires the **slope-usage** to be configured as **exceed-low**. The instantaneous queue depth is compared against the low and exceed slopes so the time average factor in the slope policy is ignored.

When a policy is not explicitly defined, the default slope policy is used.

When **native** mode is enabled for a queue, the **hi-low-prio-only** and **high-prio-only** commands are ignored; traffic mapped to a slope which is shutdown will use the MBS drop tail.

This is only supported on FP3 hardware and is ignored on FP1 and FP2 hardware.

The **no** form of the command restores the queue default congestion control behavior to the queue.



**Pool-per-queue WRED**

When the **wred-queue mode pool-per-queue** command is defined and the queue ID is created on FP2 or higher based hardware, a buffer pool is created specifically for the queue and the queue obtains all buffers from that pool. The size of the pool is the same as the size of the queue. In this manner, the WRED slopes that operate based on the pool's buffer utilization are also reacting to the congestion depth of the queue.

The size of the buffer pool is dictated by the queue's **mbs** parameter. The size of the reserved CBS portion of the buffer pool is dictated by the queue's **cbs** parameter. The provisioning characteristics of the **mbs** and **cbs** commands are not changed.

In the case where this is applied on FP2 or higher based hardware which has WRED queue support shutdown (**config>card>fp>egress>wred-queue-control>shutdown**) the queue will continue to map to either to its default pool or the pool defined in the **pool** command. If the **no shutdown** command is executed in the **wred-queue-control** context, the queue will at that point be automatically moved to its own WRED pool.

Each pool created for a queue using the **wred-queue** command shares buffers with all other **wred-queue** enabled queues on the same forwarding plane. The WRED pool buffer management behavior is defined within the **config>card>fp>egress>wred-queue-control** CLI context.

The WRED slopes within the pool are defined by the slope policy associated with the queue. When a policy is not explicitly defined, the default slope policy is used. The slope policy enables, disables and defines the relative geometry of the high, low, and exceed WRED slopes in the pool. The policy also specifies the time average factor used by the pool when calculating the weighted average pool depth.

As packets attempt to enter the egress queue, they are associated with the high, low, or exceed WRED slope based on the packets' profile. If the packet is in-profile, the high slope is used. If the packet is out-of-profile, the low slope is used, and, if the packet is exceed-profile, then exceed slope is used. This mapping of packet profile to slope is enabled using the **slope-usage default** parameter. Each WRED slope performs a probability discard based on the current weighted average pool depth.

When **wred-queue** is enabled for a SAP egress queue on FP2 or higher based hardware, the queue pool **hi-low-prio-only** and **hi-prio-only** commands are ignored; traffic mapped to a slope which is shutdown will use the MBS drop tail.

The configuration of **wred-queue mode pool-per-queue** is ignored on FP1 hardware. The resource usage for the wred-queue pool-per-queue per forwarding plane can be seen in the **tools dump resource-usage card [slot-num] fp [fp-number]** output under *Dynamic Q2 Wred Pools*.

The **no** form of the command restores the generic buffer pool behavior to the queue. The WRED pool is removed from the system. The queue will be moved to either the default buffer pool or to a named pool if defined and the pool exists. The queue then uses the default congestion control behavior.

|                   |                                                                                                                       |
|-------------------|-----------------------------------------------------------------------------------------------------------------------|
| <b>Default</b>    | no wred-queue                                                                                                         |
| <b>Parameters</b> | <i>slope-policy-name</i> — Specifies an existing slope policy that is used to override the default WRED slope policy. |

## Service SAP QoS Policy Command Reference

**mode {native | pool-per-queue}** — The mode specifies whether the WRED per queue is using the native FP3 WRED capabilities or the FP2 and later hardware pool per queue.

**Values**     **native** - use the hardware per queue WRED capabilities of the FP3 and requires **slope-usage exceed-low**.  
**pool-per-queue** - each queue uses its own pool and the WRED capabilities of the pool to provide WRED per queue. This is supported on both FP2 and later hardware and requires **slope-usage default**.

**Default**     native

**slope-usage {default | exceed-low}** — This parameter specifies congestion control to be used.

**Values**     **default** - maps the in, out, and exceed profile traffic to the high, low, and exceed WRED slopes respectively; this is only supported for **pool-per-queue** mode.  
**exceed-low** - maps the out and exceed profile traffic to the low and exceed WRED slopes with the in profile traffic using the MBS drop tail. This is only supported for **native** mode.

**Default**     exceed-low

## Show Commands



**Note:** For consistency across 7950 XRS platforms, C-XMAs/XMAs are modeled in SR OS (CLI and SNMP) as MDAs.

The command outputs in the following section are examples only; actual displays may differ depending on supported functionality and user configuration.

### sap-ingress

**Syntax**     **sap-ingress** [*policy-id*] [**association** | **match-criteria** | **hsmda** | **detail**]  
**Context**     show>qos  
**Description**     This command displays SAP ingress QoS policy information.  
**Special Cases**     **Show SAP Ingress Output** — The following table describes SAP ingress show command output.

| Label     | Description                                                                |
|-----------|----------------------------------------------------------------------------|
| Policy-Id | The ID that uniquely identifies the policy.                                |
| Scope     | Exclusive<br>Implies that this policy can only be applied to a single SAP. |

| Label         | Description (Continued)                                                                                                                                                                                                                                                                                                                                                                                                                                         |
|---------------|-----------------------------------------------------------------------------------------------------------------------------------------------------------------------------------------------------------------------------------------------------------------------------------------------------------------------------------------------------------------------------------------------------------------------------------------------------------------|
| Description   | <p>Template</p> <p>Implies that this policy can be applied to multiple SAPs on the router.</p> <p>A text string that helps identify the policy's context in the configuration file.</p>                                                                                                                                                                                                                                                                         |
| Default FC    | Specifies the default forwarding class for the policy.                                                                                                                                                                                                                                                                                                                                                                                                          |
| Priority      | Specifies the enqueueing priority when a packet is marked with a <i>dot1p-value</i> specified.                                                                                                                                                                                                                                                                                                                                                                  |
| Criteria-type | <p>IP</p> <p>Specifies that an IP criteria-based SAP ingress policy is used to select the appropriate ingress queue and corresponding forwarding class for matched traffic.</p>                                                                                                                                                                                                                                                                                 |
| Mode          | <p>MAC</p> <p>Specifies that a MAC criteria-based SAP is used to select the appropriate ingress queue and corresponding forwarding class for matched traffic.</p> <p>Specifies the configured mode of the meter (trTcm or srTcm).</p>                                                                                                                                                                                                                           |
| CIR Admin     | Specifies the administrative Committed Information Rate (CIR) parameters for the queue. The CIR defines the rate at which the system prioritizes the queue over other queues competing for the same bandwidth.                                                                                                                                                                                                                                                  |
| CIR Oper      | The operational value derived by computing the CIR value from the administrative CIR and PIR values and their corresponding adaptation rules.                                                                                                                                                                                                                                                                                                                   |
| CIR Rule      | <p>min</p> <p>The operational CIR for the queue will be equal to or greater than the administrative rate specified using the rate command.</p> <p>max</p> <p>The operational CIR for the queue will be equal to or less than the administrative rate specified using the rate command.</p> <p>closest</p> <p>The operational PIR for the queue will be the rate closest to the rate specified using the rate command without exceeding the operational PIR.</p> |
| PIR Admin     | Specifies the administrative Peak Information Rate (PIR) parameters for the queue. The PIR defines the maximum rate that the queue can transmit packets through the switch fabric (for SAP ingress queues) or out an egress interface (for SAP egress queues).                                                                                                                                                                                                  |
| PIR Oper      | The administrative PIR specified by the user.                                                                                                                                                                                                                                                                                                                                                                                                                   |
| PIR Rule      | <p>min</p> <p>The operational PIR for the queue will be equal to or greater than the administrative rate specified using the rate command.</p> <p>max</p> <p>The operational PIR for the queue will be equal to or less than the administrative rate specified using the rate command.</p>                                                                                                                                                                      |

## Service SAP QoS Policy Command Reference

| Label      | Description (Continued)                                                                                                                                                                                                                                                                                                                                                                                                                                                                |
|------------|----------------------------------------------------------------------------------------------------------------------------------------------------------------------------------------------------------------------------------------------------------------------------------------------------------------------------------------------------------------------------------------------------------------------------------------------------------------------------------------|
|            | closest<br>The operational PIR for the queue will be the rate closest to the rate specified using the rate command.                                                                                                                                                                                                                                                                                                                                                                    |
| CBS        | def<br>Specifies the default CBS value for the queue.<br>value<br>Specifies the value to override the default reserved buffers for the queue.                                                                                                                                                                                                                                                                                                                                          |
| MBS        | def<br>Specifies the default MBS value.<br>value<br>Specifies the value to override the default MBS for the queue.                                                                                                                                                                                                                                                                                                                                                                     |
| HiPrio     | Specifies the percentage of buffer space for the queue, used exclusively by high priority packets.                                                                                                                                                                                                                                                                                                                                                                                     |
| PIR Lvl/Wt | Specifies the priority level of the scheduler when compared to other child schedulers and queue vying for bandwidth on the parent schedulers during the 'above CIR' distribution phase of bandwidth allocation.<br>Weight defines the relative weight of this scheduler in comparison to other child schedulers and queue at the same level.                                                                                                                                           |
| CIR Lvl/Wt | Specifies the level of hierarchy when compared to other schedulers and queue when vying for bandwidth on the parent scheduler.<br>Weight defines the relative weight of this queue in comparison to other child schedulers and queue while vying for bandwidth on the parent scheduler.                                                                                                                                                                                                |
| Parent     | Specifies the parent scheduler that governs the available bandwidth given the queue aside from the queue's PIR setting.                                                                                                                                                                                                                                                                                                                                                                |
| Dot1p      | Specifies the forwarding class or enqueueing priority when a packet is marked with a <i>dot1p-value</i> specified.                                                                                                                                                                                                                                                                                                                                                                     |
| FC         | Specifies the forwarding class overrides.                                                                                                                                                                                                                                                                                                                                                                                                                                              |
| Priority   | The optional priority setting overrides the default enqueueing priority for the packets received on an ingress SAP which uses the policy that matches this rule.<br>High<br>Specifies that the high enqueueing parameter for a packet increases the likelihood of enqueueing the packet when the ingress queue is congested.<br>Low<br>Specifies that the low enqueueing parameter for a packet decreases the likelihood of enqueueing the packet when the ingress queue is congested. |
| DSCP       | Specifies the forwarding class or enqueueing priority when a packet is marked with the DiffServ Code Point (DSCP) value.                                                                                                                                                                                                                                                                                                                                                               |
| FC         | Specifies one of the predefined forwarding classes in the system. When a packet matches the rule the forwarding class is only overridden when the <b>fc-<i>fc-name</i></b> parameter is defined on the rule.                                                                                                                                                                                                                                                                           |

| Label                | Description (Continued)                                                                                                                                                                                                                                                                                                                                                                                                                                                                            |
|----------------------|----------------------------------------------------------------------------------------------------------------------------------------------------------------------------------------------------------------------------------------------------------------------------------------------------------------------------------------------------------------------------------------------------------------------------------------------------------------------------------------------------|
| Priority             | <p>This parameter specifies the default enqueueing priority overrides for all packets received on an ingress SAP using this policy that match this rule.</p> <p>High</p> <p>Specifies that the high enqueueing parameter for a packet increases the likelihood of enqueueing the packet when the ingress queue is congested.</p> <p>Low</p> <p>Specifies that the low enqueueing parameter for a packet decreases the likelihood of enqueueing the packet when the ingress queue is congested.</p> |
| Prec                 | Specifies the forwarding class or enqueueing priority when a packet is marked with an IP precedence value ( <i>ip-prec-value</i> ).                                                                                                                                                                                                                                                                                                                                                                |
| UCastQ               | Specifies the default unicast forwarding type queue mapping.                                                                                                                                                                                                                                                                                                                                                                                                                                       |
| MCastQ               | Specifies the overrides for the default multicast forwarding type queue mapping.                                                                                                                                                                                                                                                                                                                                                                                                                   |
| BCastQ               | Specifies the default broadcast forwarding type queue mapping.                                                                                                                                                                                                                                                                                                                                                                                                                                     |
| UnknownQ             | Specifies the default unknown unicast forwarding type queue mapping.                                                                                                                                                                                                                                                                                                                                                                                                                               |
| Match Criteria Entry | Specifies an IP or MAC criteria entry for the policy.                                                                                                                                                                                                                                                                                                                                                                                                                                              |
| Source IP            | Specifies a source IP address range used for an ingress SAP QoS policy match.                                                                                                                                                                                                                                                                                                                                                                                                                      |
| Source Port          | Specifies a source TCP or UDP port number or port range used for an ingress SAP QoS policy match.                                                                                                                                                                                                                                                                                                                                                                                                  |
| Protocol             | Specifies the IP protocol number to be used for an ingress SAP QoS policy match.                                                                                                                                                                                                                                                                                                                                                                                                                   |
| DSCP                 | Specifies a DiffServ Code Point (DSCP) name used for an ingress SAP QoS policy match.                                                                                                                                                                                                                                                                                                                                                                                                              |
| Fragment             | <p>True</p> <p>Configures a match on all fragmented IP packets.</p> <p>False</p> <p>Configures a match on all non-fragmented IP packets.</p>                                                                                                                                                                                                                                                                                                                                                       |
| FC                   | Specifies the entry's forwarding class.                                                                                                                                                                                                                                                                                                                                                                                                                                                            |
| Priority             | Specifies the default enqueueing priority overrides for all packets received on an ingress SAP using this policy.                                                                                                                                                                                                                                                                                                                                                                                  |
| Src MAC              | Specifies a source MAC address or range to be used as a Service Ingress QoS policy match.                                                                                                                                                                                                                                                                                                                                                                                                          |
| Dst MAC              | Specifies a destination MAC address or range to be used as a Service Ingress QoS policy match.                                                                                                                                                                                                                                                                                                                                                                                                     |
| Dot1p                | Specifies a IEEE 802.1p value to be used as the match.                                                                                                                                                                                                                                                                                                                                                                                                                                             |
| Snap-pid             | Specifies an IEEE 802.3 LLC SNAP Ethernet Frame PID value to be used as a Service Ingress QoS policy match.                                                                                                                                                                                                                                                                                                                                                                                        |
| Ethernet-type        | Specifies an Ethernet type II Ethertype value to be used as a Service Ingress QoS policy match.                                                                                                                                                                                                                                                                                                                                                                                                    |

## Service SAP QoS Policy Command Reference

| Label               | Description (Continued)                                                                                                      |
|---------------------|------------------------------------------------------------------------------------------------------------------------------|
| ESnap-oui-zero      | Specifies an IEEE 802.3 LLC SNAP Ethernet Frame OUI zero or non-zero value to be used as a Service Ingress QoS policy match. |
| DSAP                | Specifies an Ethernet 802.2 LLC DSAP value or range for an ingress SAP QoS policy match.                                     |
| SSAP                | Specifies an Ethernet 802.2 LLC DSAP value or range for an ingress SAP QoS policy match.                                     |
| FC                  | Specifies the entry's forwarding class.                                                                                      |
| Priority            | Specifies the default enqueueing priority overrides for all packets received on an ingress SAP using this policy.            |
| Service Association |                                                                                                                              |
| Service-Id          | The unique service ID number which identifies the service in the service domain.                                             |
| Customer-Id         | Specifies the customer ID which identifies the customer to the service.                                                      |
| SAP                 | Specifies the a Service Access Point (SAP) within the service where the SAP ingress policy is applied.                       |

**Parameters** *policy-id* — Displays information about the specific policy ID.

**Default** all SAP ingress policies

**Values** 1 to 65535

**detail** — Displays detailed policy information including policy associations.

### Output

#### Sample Output

```
show qos sap-ingress
=====
Sap Ingress Policies
=====
Policy-Id Scope Name Description

1 Template default Default SAP ingress QoS policy.
3 Template
3:P2 Template

Number of Policies : 3
=====
```

```
show qos sap-ingress 3:P2 match-criteria
=====
QoS Sap Ingress

Sap Ingress Policy (3:P2)

```

## Service Egress and Ingress QoS Policies

Policy-id : 3:P2 Scope : Template  
Default FC : be Priority : Low  
Criteria-type : IP  
Name : (Not Specified)  
Description : Auto-created pcc-rule sap-ingress qos policy

---

### Dynamic Configuration Information

---

PccRule Insert Point : 40000 (size 100\* DynPlcr Insert Point : 20 (size 20)  
Shared Policies : 0  
CBS : Def MBS : Def  
Parent : (Not Specified)  
Level : 1 Weight : 1  
Packet Byte Offset : 0  
Stat Mode : minimal

---

\* indicates that the corresponding row element may have been truncated.

---

### Match Criteria

---

#### IP Match Criteria

---

Entry : 40000  
Description : Auto-created entry for pcc-rule RULE\_ingress\_FC  
Source IP : Undefined  
Dest. IP : 75.24.24.3/32  
Source Port : None Dest. Port : None  
Protocol : tcp DSCP : cp60  
Fragment : Off  
FC : af Priority : Default  
Policer : n/a

Entry : 40001  
Description : Auto-created entry for pcc-rule RULE\_ingress\_FC\_HTTP  
Source IP : Undefined  
Dest. IP : 75.24.24.4/32  
Source Port : None Dest. Port : None  
Protocol : tcp DSCP : cp60  
Fragment : Off  
FC : h2 Priority : Default  
Policer : n/a

Entry : 40002  
Description : Auto-created entry for pcc-rule RULE\_ingress\_FC\_RDR  
Source IP : Undefined  
Dest. IP : 75.24.24.5/32  
Source Port : None Dest. Port : None  
Protocol : tcp DSCP : cp60  
Fragment : Off  
FC : h1 Priority : Default  
Policer : n/a

Entry : 40003  
Description : Auto-created entry for pcc-rule RULE\_ingress\_RATE\_LIMIT  
Source IP : Undefined  
Dest. IP : 75.24.24.10/32  
Source Port : None Dest. Port : None  
Protocol : tcp DSCP : cp60

## Service SAP QoS Policy Command Reference

```

Fragment : Off
FC : Default
Policer : 20
Priority : Default
...

IPv6 Match Criteria

No Match Criteria Entries found.
=====

QoS Sap Ingress
=====
Sap Ingress Policy (100)

Policy-id : 100
Default FC : be
Criteria-type : IP
Description : Used on VPN sap
Scope : Template
Priority : Low

Queue Mode CIR Admin PIR Admin CBS HiPrio PIR Lvl/Wt Parent
 CIR Rule PIR Rule MBS

1 Prio 0 max def def 1/1 None
 closest closest def
2 Prio 0 max def def 1/1 None
 closest closest def
10 Prio 0 11000 def def 1/1 VPN_be
 closest closest def
11 Prio 0 max def def 1/1 None
 closest closest def
12 Prio 0 11000 def def 1/1 VPN_prio*
 closest closest def
13 Prio 0 1 def def 1/1 VPN_rese*
 closest closest def
15 Prio 1500 1500 def def 1/1 VPN_video
 closest closest def
16 Prio 2500 2500 def def 1/1 VPN_voice
 closest closest def
17 Prio 36 100 def def 1/1 VPN_nc
 closest closest def
20 Prio 0 11000 def def 1/1 VPN_be
 closest closest def
22 Prio 0 11000 def def 1/1 VPN_prio*
 closest closest def
23 Prio 0 1 def def 1/1 VPN_rese*
 closest closest def
25 Prio 1500 1500 def def 1/1 VPN_video
 closest closest def
26 Prio 2500 2500 def def 1/1 VPN_voice
 closest closest def
27 Prio 36 100 def def 1/1 VPN_nc
 closest closest def

FC UCastQ MCastQ BCastQ UnknownQ

be 10 20 20 20
af 12 22 22 22
h2 16 26 26 26

```



## Service Egress and Ingress QoS Policies

```

ef 13 23 23 23
h1 15 25 25 25
nc 17 27 27 27

SubFC Profile In-Remark Out-Remark

af None None None
be None None None
ef None None None
h1 None None None
h2 None None None
nc None None None

Dot1p FC Priority

0 af High
1 ef High
7 be Low

DSCP FC Priority

af41 af High

Prec Value FC Priority

0 be Default
2 af Default
3 ef Default
5 h1 Default
6 h2 Default
7 nc Default

Match Criteria

IP Match Criteria

Entry : 10
Description : Entry 10-FC-AF
Source IP : 10.10.10.104/24
Dest. IP : Undefined
Protocol : 6
Fragment : Off
FC : af
Source Port : None
Dest. Port : None
DSCP : None
Priority : High

Entry : 20
Description : Entry 20-FC-BE
Source IP : Undefined
Dest. IP : Undefined
Protocol : 17
Fragment : Off
FC : Default
Source Port : None
Dest. Port : eq 255
DSCP : None
Priority : Default

IPv6 Match Criteria

No Match Criteria Entries found.

Associations

Service-Id : 700 (VPLS)
Customer-Id : 7

```

## Service SAP QoS Policy Command Reference

```

- SAP : 1/1/9:0 override
=====
*A:ALA-48>config>qos#

config>qos# show qos sap-ingress 2 detail
=====
QoS Sap Ingress

Sap Ingress Policy (2)

Policy-id : 2 Scope : Template
Default FC : be Priority : Low
Criteria-type : None

Queue Mode CIR Admin PIR Admin CBS HiPrio PIR Lvl/Wt Parent
 CIR Rule PIR Rule MBS

1 Prio 0 max def def 1/1 None
 closest closest def
11 Prio 0 max def def 1/1 None
 closest closest def

FC UCastQ MCastQ BCastQ UnknownQ

af def def def def
ef def def def def

SubFC DE-1-out-profile Profile In-Remark Out-Remark

af No None None None
ef Yes None None None

Dot1p FC Priority

No Dot1p-Map Entries Found.

DSCP FC Priority

No DSCP-Map Entries Found.

Prec Value FC Priority

No Prec-Map Entries Found.

Match Criteria

No Matching Criteria.

Associations

No Associations Found.
config>qos#

show qos sap-ingress

=====
Sap Ingress Policies
=====

```

```

Policy-Id Scope Name Description

1 Template default Default SAP ingress QoS policy.
10 Template
20 Template

Number of policies : 3
=====
*A:#

```

### sap-egress

**Syntax** `sap-egress [policy-id] [association | match-criteria | hsmdda | detail]`

**Context** `show>qos`

**Description** This command displays SAP egress QoS policy information.

**Special Cases** **SAP Egress Output** — The following table describes SAP egress show command output.

| Label       | Description                                                                                                                                                                                                                                                                                                                                                 |
|-------------|-------------------------------------------------------------------------------------------------------------------------------------------------------------------------------------------------------------------------------------------------------------------------------------------------------------------------------------------------------------|
| Policy-Id   | The ID that uniquely identifies the policy.                                                                                                                                                                                                                                                                                                                 |
| Scope       | Exclusive<br>Implies that this policy can only be applied to a single SAP.<br>Template<br>Implies that this policy can be applied to multiple SAPs on the router.                                                                                                                                                                                           |
| Description | A text string that helps identify the policy's context in the configuration file.                                                                                                                                                                                                                                                                           |
| Queue:      |                                                                                                                                                                                                                                                                                                                                                             |
| CIR Admin   | Specifies the administrative Committed Information Rate (CIR) parameters for the queue. The CIR defines the rate at which the system prioritizes the queue over other queues competing for the same bandwidth.                                                                                                                                              |
| CIR Oper    | The operational value derived by computing the CIR value from the administrative CIR and PIR values and their corresponding adaptation rules.                                                                                                                                                                                                               |
| CIR Rule    | min<br>The operational CIR for the queue will be equal to or greater than the administrative rate specified using the rate command except where the derived operational CIR is greater than the operational PIR. If the derived operational CIR is greater than the derived operational PIR, the operational CIR will be made equal to the operational PIR. |

## Service SAP QoS Policy Command Reference

| Label      | Description (Continued)                                                                                                                                                                                                                                               |
|------------|-----------------------------------------------------------------------------------------------------------------------------------------------------------------------------------------------------------------------------------------------------------------------|
|            | <p>max<br/>The operational CIR for the queue will be equal to or less than the administrative rate specified using the rate command.</p>                                                                                                                              |
|            | <p>closest<br/>The operational PIR for the queue will be the rate closest to the rate specified using the rate command without exceeding the operational PIR.</p>                                                                                                     |
| PIR Admin  | <p>Specifies the administrative Peak Information Rate (PIR) parameters for the queue. The PIR defines the maximum rate that the queue can transmit packets through the switch fabric (for SAP ingress queues) or out an egress interface (for SAP egress queues).</p> |
| PIR Oper   | <p>The administrative PIR specified by the user.</p>                                                                                                                                                                                                                  |
| PIR Rule   | <p>min<br/>The operational PIR for the queue will be equal to or greater than the administrative rate specified using the rate command.</p>                                                                                                                           |
|            | <p>max<br/>The operational PIR for the queue will be equal to or less than the administrative rate specified using the rate command.</p>                                                                                                                              |
|            | <p>closest<br/>The operational PIR for the queue will be the rate closest to the rate specified using the rate command.</p>                                                                                                                                           |
| CBS        | <p>def<br/>Specifies that the CBS value reserved for the queue.</p>                                                                                                                                                                                                   |
|            | <p>value<br/>Specifies the value to override the default reserved buffers for the queue.</p>                                                                                                                                                                          |
| MBS        | <p>def<br/>Specifies that the MBS value is set by the def-mbs function.</p>                                                                                                                                                                                           |
|            | <p>value<br/>Specifies the value to override the default maximum size for the queue.</p>                                                                                                                                                                              |
| HiPrio     | <p>Specifies the percentage of buffer space for the queue, used exclusively by high priority packets.</p>                                                                                                                                                             |
| PIR Lvl/Wt | <p>Specifies the priority level of the scheduler when compared to other child schedulers and queues vying for bandwidth on the parent schedulers during the 'above CIR' distribution phase of bandwidth allocation.</p>                                               |
|            | <p>Weight defines the relative weight of this scheduler in comparison to other child schedulers and queues at the same level.</p>                                                                                                                                     |
| CIR Lvl/Wt | <p>Specifies the level of hierarchy when compared to other schedulers and queues when vying for bandwidth on the parent scheduler.</p>                                                                                                                                |
|            | <p>Weight defines the relative weight of this queue in comparison to other child schedulers and queues while vying for bandwidth on the parent scheduler.</p>                                                                                                         |
| Parent     | <p>Specifies the parent scheduler that governs the available bandwidth given the queue aside from the queue's PIR setting.</p>                                                                                                                                        |

| Label               | Description (Continued)                                                                                                                                  |
|---------------------|----------------------------------------------------------------------------------------------------------------------------------------------------------|
| FC Name             | Specifies the forwarding class queue mapping or dot1p marking is to be edited.                                                                           |
| Queue-id            | Specifies the <i>queue-id</i> that uniquely identifies the queue within the policy.                                                                      |
| Explicit/Default    | Explicit<br>Specifies the egress IEEE 802.1p (dot1p) bits marking for <i>fc-name</i> .<br>Default<br>Specifies that the default dot1p value (0) is used. |
| Service Association |                                                                                                                                                          |
| Service-Id          | The unique service ID number which identifies the service in the service domain.                                                                         |
| Customer-Id         | Specifies the customer ID which identifies the customer to the service.                                                                                  |
| SAP                 | Specifies the a Service Access Point (SAP) within the service where the policy is applied.                                                               |
| Mirror SAPs:        |                                                                                                                                                          |
| Mirror Dest         | Specifies the mirror service ID which identifies the service in the service domain.                                                                      |
| SAP                 | Specifies the a Service Access Point (SAP) within the service where the SAP egress policy is applied.                                                    |

**Parameters** *policy-id* — Displays information about the specific policy ID.

**Values** 1 to 65535

**detail** — Displays detailed policy information including policy associations.

### Output

#### Sample Output

```
A:ALA-49# show qos sap-egress
=====
Sap Egress Policies
=====
Policy-Id Scope Description

1 Template Default SAP egress QoS policy.
1010 Template
1020 Template
=====
A:ALA-49#

A:ALA-49# show qos sap-egress 1010
=====
QoS Sap Egress
=====
Sap Scheduler Policy (1010)
```

## Service SAP QoS Policy Command Reference

```

Policy-id : 1010 Scope : Template
=====
A:ALA-49#

A:ALA-49# show qos sap-egress 1010 detail
=====
QoS Sap Egress
=====
Sap Scheduler Policy (1010)

Policy-id : 1010 Scope : Template

Queue CIR Admin PIR Admin CBS HiPrio PIR Lvl/Wt Parent
 CIR Rule PIR Rule MBS CIR Lvl/Wt

1 0 max def def 1/1 None
 closest closest def def 0/1
8 0 max def def 1/1 None
 closest closest def def 0/1

FC Name Queue-id Explicit/Default

be 8 Explicit (7)

Associations

Service-Id : 1 (VPRN) Customer-Id : 1
- SAP : 1/1/10:1

SLA Profiles :
- test override

Mirror SAPs

No Mirror SAPs Found.
=====
A:ALA-49#

config>qos# show qos sap-egress 2 detail
=====
QoS Sap Egress

Sap Scheduler Policy (2)

Policy-id : 2 Scope : Template

Queue CIR Admin PIR Admin CBS HiPrio PIR Lvl/Wt Parent AvgOvrhd
 CIR Rule PIR Rule MBS CIR Lvl/Wt

1 0 max def def 1/1 None 0.00
 closest closest def def 0/1

FC Name Queue-id Explicit/Default DE-Mark

af def Explicit (4) Profile
11 def Explicit (In:5 Out:6) Force 0

```

## Service Egress and Ingress QoS Policies

```
ef def Default None

Associations

No Associations Found.

Mirror SAPs

No Mirror SAPs Found.
=====
config>qos#
```

```
configure
#-----
echo "QoS Policy Configuration"
#-----
 qos
 match-list
 ip-prefix-list "ip-prefix-list-1" create
 description "IPv4 prefix list"
 prefix 10.0.0.0/8
 prefix 192.168.0.0/16
 exit
 exit
 exit
#-----
echo "QoS Policy Configuration"
#-----
 qos
 sap-egress 10 create
 queue 1 create
 exit
 queue 2 create
 exit
 fc af create
 queue 2
 exit
 ip-criteria
 entry 10 create
 match
 dst-ip ip-prefix-list "ip-prefix-list-1"
 exit
 action fc "af"
 exit
 exit
 exit
exit
```

The IPv4 prefix list can be shown as follows:

```
*A:PE# show qos match-list ip-prefix-list "ip-prefix-list-1"
=====
QoS Match IP Prefix List
=====
Prefix Name : ip-prefix-list-1
```

## Service SAP QoS Policy Command Reference

```
Description : IPv4 prefix list

IP Prefixes

10.0.0.0/8
192.168.0.0/16

No. of Prefixes : 2

=====
*A:PE#
```

### queue

**Syntax** **queue from** {**sap** *sap-id* | **queue-group** *port-id queue-group-name* | **subscriber** *subscriber-id* | **network** {*mda-id* | *port-id*} | **system** {**card** *slot-number* | **mda** *mda-id* **port** *port-id*}} {**ingress** | **egress**} [**id** *queue-id*]

**Context** show>qos

**Description** The show qos queue command outputs the Burst Control Group (BCG) name and slowest accurate visitation time for the specified queues.

For each queue specified, the system may find multiple hardware queues. This may be true for ingress queues on multipoint services (VPLS, IES, VPRN) or for queues created on an Ethernet Link Aggregation Group (LAG). When this is true, the show command may display the calculated slowest accurate visitation time for the logical queue (all hardware queues will have the same calculated value) but must display the BCG name for each individual hardware queue.

The BCG name associated with a queue may be specified in the show bcg command to display the historical and current visitation time for the BCG managing the burst tolerance of the queue. If the output visitation time is greater (longer time) than the queue returned slowest accurate visitation time, the queue's shaping rate may be negatively impacted.

**Parameters** **from** — The from keyword specifies that the following parameters are match criteria for finding a single or set of ingress or egress queues within the system. The system will accept sap, queue-group, subscriber, network-queues or shared-queues as the match criteria.

**sap** *sap-id* — The sap keyword is used to specify that the system should find and display the BCG and calculate the slowest accurate visitation time for the queues within the specified sap-id. The sap keyword is mutually exclusive with the other from match criteria. If the specified sap-id is not found, the system should return 'The specified SAP ID does not exist'.

**queue-group** *port-id queue-group-name* — The queue-group keyword is used to specify that the system should find and display the BCG and calculate the slowest accurate visitation time for the queues within the specified queue-group-name on the specified port-id. The following ingress or egress keyword further specifies that the targeted queue group is an ingress port or egress port queue group. The queue-group keyword is mutually exclusive with the other from match criteria. If the specified port-id is not provisioned on the system or the specified queue-group-name is not found on the ports specified direction, the system should return 'The specified queue group does not exist'.



**subscriber** *subscriber-id* — The subscriber keyword is used to specify that the system should find and display the BCG and calculate the slowest accurate visitation time for the queues associated with the specified subscriber-id. The queue-group keyword is mutually exclusive with the other from match criteria. If the specified subscriber-id does not exist, the system should return ‘The specified subscriber does not exist’. This parameter applies to the 7450 ESS and 7750 SR only.

**network** {*mda-id* | *port-id*} — The network keyword is used to specify that the system should find and display the queue information for the queues associated with the specified mda-id or port-id. If the ingress direction qualifier is specified, an mda-id is required. If the egress direction qualifier is specified, a port-id is required. The network keyword is mutually exclusive with the other from match criteria. If the specified mda-id does not exist, the system should return ‘The specified XMA or MDA is not provisioned’. If the specified port-id does not exist, the system should return ‘The specified port is not provisioned’.

**system** {*card slot-number* | *mda-id* | *port-id*} — The system keyword is used to specify that the system should find and display the queue information for all the system queues associated with the specified card slot-id, mda mda-id or port port-id. If the ingress direction qualifier is specified, the ingress system queues are displayed. If the egress direction qualifier is specified, only the egress system queues are displayed. The system keyword is mutually exclusive with the other from match criteria. If the specified slot-id does not exist, the system should return ‘The specified slot number is not provisioned’. If the specified mda-id does not exist, the system should return ‘The specified MDA is not provisioned’. If the specified port-id does not exist, the system should return ‘The specified port is not provisioned’. The id parameter is not supported when matching system queues.

{**ingress** | **egress**} — The ingress and egress direction qualifiers are mutually exclusive. Either ingress or egress must be specified.

**id queue-id** — The id keyword is used to limit the return queues to a single queue-id. The keyword is not accepted when the system match criteria is used.

## bcg

|                    |                                                                                                                                              |
|--------------------|----------------------------------------------------------------------------------------------------------------------------------------------|
| <b>Syntax</b>      | <b>bcg</b> <i>burst-control-group-name</i> [ <b>member-queues</b> [ <b>at-risk-only</b> ]] [ <b>exp-util-bw</b> <i>megabits-per-second</i> ] |
| <b>Context</b>     | show>qos                                                                                                                                     |
| <b>Description</b> | The show qos bcg command outputs the current and historical visitation time associated with the specified BCG name.                          |

A Burst Control Group (BCG) represents a list of queues that share the same non-scheduling PIR and CIR bucket target update interval. When a queue’s scheduled rate bursts above its PIR bucket depth, the queue is removed from its scheduling context. The system uses a BCG in order to visit the queues PIR bucket to periodically drain an appropriate amount from the bucket. When the bucket has been drained below the PIR bucket threshold, the queue is allowed back onto its scheduling context. The

## Service SAP QoS Policy Command Reference

amount decremented from the bucket is a function of the amount of time that has elapsed since the last bucket update and the queue's shaping rate (PIR). If the queue's shaping rate is configured as 1Mbps and 1ms has elapsed since the last bucket update, the system will decrement the PIR bucket by 125 bytes. One caveat is that the bucket cannot be decremented past a depth of 0. This fact drives how the system chooses which BCG is used to manage the queue bucket update interval.

If a queue's shaping rate is 1Mbps and the threshold (burst limit) is set to 10Kbytes, the maximum amount of time that can expire before the queue is updated without resulting in a negative bucket depth is 81.92ms. This can be calculated by taking the number of bits represented by the bucket depth (10Kbytes =  $10 * 1,024 * 8 = 81,920$  bits) and dividing it by the rate (81,920 bits / 1,000,000 bits per second = 81.92ms). The queue will not be removed from the scheduler until the PIR bucket depth has equaled or exceeded the configured burst threshold, so the bucket will be at least 10Kbytes deep. If the system visits the queue PIR bucket within 81.92ms, the resulting decrement operation will leave the bucket. If the system takes longer than 81.92ms, the decrement result will be greater than 10Kbytes and part of the decrement result will be lost. The net result is from less than timely updates is that the queue will not be returned to the scheduler context fast enough and some shaping bandwidth for the queue will be lost (underrun the shaping rate).

Each Q2 based forwarding plane maintains 7 Burst Control Groups, each targeting a certain queue bucket visitation time. A 40ms, 20ms, 10ms, 5ms, 1ms, 500us and 100us BCG is supported. By default, queues are placed on a BCG based on shaping rate and the queue's burst limit (PIR threshold depth) is set based on the BCG visitation time and the queue's specified shaping rate. When all shaping queues on a Q2 are left in a default burst tolerance management state, the system has sufficient BCG visitation resources to ensure that all queues do not experience inaccurate bucket decrement conditions.

When explicit burst-limit threshold values are defined for a shaping queue, the system picks an appropriate BCG based on the queue's configured shaping rate and the explicit threshold to find a BCG with the best target visitation time that results in worst case decrement values that are less than the configured threshold. However, when a queue is placed on a 'faster' BCG, more visitation resources are consumed and it is possible that the system will not meet a queue's decrement constraints.

The **show qos bcg** command allows visibility into a BCG's historic and current visitation time. The system samples the amount of time it takes each list to visit each of its associated queues once each second and stores the last 10 samples. It also keeps the longest visitation time seen since the last time the BCG statistics were cleared, the longest visitation time for the current queue-to-BCG lists associations, calculated longest visitation time based on maximum scheduling bandwidth and lastly the longest visitation time for an optionally defined scheduling rate.

With each sample, the system indirectly calculates the amount of scheduling bandwidth based on how much Q2 resources were diverted from BNG visitation processing. This calculated scheduling bandwidth is useful since it can be used to evaluate the worst case longest visitation times for each BCG. The calculated scheduling bandwidth value is stored with the longest seen visitation time and the longest seen visitation time with the current queue-to-BCG mappings.

**Parameters** *burst-control-group-name* — The burst-control-group-name is required and specifies which globally unique Burst Control Group will be displayed. If the specified Burst Control Group does not exist, the show command will fail and the system will return 'The specified BCG does not exist'.

**member-queues [at-risk-only]** — The member-queues optional keyword is used to include a list of all queues attached to the specified burst-control-group-name. The optional at-risk-only keyword may be added to limit the displayed queues to only include queues that are considered ‘at-risk’ for inaccurate shaping based on 100% worst case scheduling bandwidth for the current queue mappings. The 100% scheduling bandwidth used in the ‘at-risk’ determination may be overridden with a specified scheduling bandwidth by using the exp-util-bw parameter.

**exp-util-bw** — An optional keyword used to display a calculated worst case visitation rate for the specified burst-control-group-name based on the specified value for megabits-per-second.

*megabits-per-second* — A value also modifies the member-queues ‘at-risk’ state output.



# Queue Sharing and Redirection

---

## In This Section

This section provides information to configure queue groups using the command line interface.

Topics in this section include:

- [Queue Sharing and Redirection](#)
  - [Pseudowire Shaping for Layer 2 and Layer 3 Services](#)
- [Queue Group Templates and Port Queue Groups](#)
- [Access SAP Forwarding Class Based Redirection](#)
- [Network IP Interface Forwarding Class-Based Redirection](#)
- [Queue Group Behavior on LAG](#)
- [Configuring Ingress/Egress PW Shaping Using Spoke-SDP Forwarding Class-Based Redirection](#)
- [Basic Configurations](#)

## Queue Sharing and Redirection

Queue groups are objects created on access or network Ethernet port or ingress forwarding plane of an IOM/IMM/XMA that allow SAP or IP interface forwarding classes to be redirected from the normal type of queue mapping to a shared queue. Queue groups may contain queues, policers, or a combination of the two depending on the type of queue group. The following types of queue groups are supported:

- Access ingress supports a single queue group instance per ingress port, or multiple queue groups created at the ingress forwarding plane level of the IOM/IMM/XMA. Access ingress port queue groups may only contain queues, whereas access ingress forwarding plane queue groups may only contain policers.
- Access egress supports the creation of multiple queue groups per egress port. These queue groups may only contain queues.

## Queue Sharing and Redirection

- Network ingress supports the creation of multiple queue groups at the ingress forwarding plane level of the IOM/IMM/XMA. These queue groups may only contain policers.
- Network egress supports the creation of multiple queue groups per egress port. These queue groups may contain queues only, or queues and policers.

## Supported Platforms

Queue sharing and redirection is supported on the SR and ESS platforms with the following IOM types:

- Access SAP port queue group supported on IOM-1 of types the iom-10g, iom-20g, and iom- 20g-b. Network queue groups are not supported.
- Access SAP port and network port queue group are supported on IOM-2s.
- Access SAP port and network port queue groups are supported on FP2 and higher based hardware
- Ingress access and network forwarding plane queue groups are supported on FP2 and higher based hardware except on the 7750 SR-a4/a8..

Queue sharing and redirection are also supported in conjunction with the use of existing Ethernet MDA, Ethernet CMA, HS-MDA and the VSM MDA.

## Queue Group Applications

### Access SAP Queue Group Applications

Normally, each SAP (Service Access Point) has dedicated ingress and egress queues that are only used by that particular SAP. The SAP queues are created based on the queue definitions within the SAP ingress and SAP egress QoS policy applied to the SAP. Each packet that enters or egresses the SAP has an associated forwarding class. The QoS policy is used to map the forwarding class to one of the SAP's local queue IDs. This per-SAP queuing has advantages over a shared queuing model in that it allows each SAP to have a unique scheduling context per queue. During congestion, SAPs operating within their conforming bandwidth will experience little impact since they do not need to compete for queue buffer space with misbehaving or heavily loaded SAPs.

The situation is different for a shared or port-queuing model that is based on policing color packets that conform or exceed a static rate before the single queue and that use WRED or drop tail functions to essentially reserve room for the conforming packets.

In this model, there is no way for the conforming packets to go to the head of line in the view of the port scheduler. Another advantage of per-SAP queuing is the ability for the SAP queues to perform shaping to control burst sizes and forwarding rates based on the SAPs defined SLA. This is especially beneficial when a provider is enforcing a sub-line rate bandwidth limit and the customer does not have the ability to shape at the CE.

However, there are cases where per-SAP queuing is not preferred. Per SAP queuing requires a more complex provisioning model in order to properly configure the SAPs ingress and egress SLAs. This requires service awareness at some points in the network where an aggregation function is being performed. In this case, a shared queuing or per-port queuing model will suffice. Creating ingress and egress access queue groups and mapping the SAPs forwarding classes to the queues within the queue group provides this capability.

A further use case is where a set of ingress SAPs, which may represent a subset of the total number of ingress SAPs, is to be shaped or policed on an aggregate per-forwarding class basis when those SAPs are spread across a LAG on multiple ingress ports, and where color-aware treatment is required so that explicitly in-profile traffic is honored up to CIR, but above which it is marked as out of profile

The above scenarios can be supported with access queue groups. A single ingress queue group is supported per access port, while multiple ingress queue group instances are supported per IOM/IMM/XMA forwarding plane. To provide more flexibility on the egress side of the access port, multiple egress access queue group queue-group instances are supported per egress access port.

Since queue redirection is defined per forwarding class, it is possible to redirect some forwarding classes to a queue group while having others on the SAP use the SAP local queues. This is helpful when shared queuing is only desired for a few applications such as VOIP or VOD while other applications still require queuing at the SAP level.

## **Ingress Access Port Queue Group Hardware Queue Allocation**

When ingress access port queue groups are configured, hardware queues are allocated to each switch fabric destination for each queue configured in the queue group template.

The allocation of ingress access port queue group hardware queues has been optimized for the 7950 XRS-20 systems to avoid allocating ingress hardware queues to XCMs in slots 11 and above.

When the first XCM in slot 11 or above is provisioned additional ingress hardware queues will be allocated to XCMs in slots 11 to 20 for any configured ingress access port queue group queue. If sufficient hardware queues are unavailable, the XCM provisioning will fail. Adding queues to the queue group template or adding additional ingress access port queue groups will continue to require more hardware queue to be allocated, with the configurations failing if there are not sufficient available. When the last XCM in slot 11 and above is unprovisioned, the related additional hardware queues to the all of the XCMs in slots 11 and above are freed.

## Network Port Queue Groups for IP Interfaces

Queue groups may be created on egress network ports in order to provide network IP interface queue redirection. A single set of egress port based forwarding class queues are available by default and all IP interfaces on the port share the queues. Creating a network queue group allows one or more IP interfaces to selectively redirect forwarding classes to the group in order to override the default behavior. Using network egress queue groups it is possible to provide dedicated queues for each IP interface.

Non-IPv4/non-IPv6/non-MPLS packets will remain on the regular network port queues. Therefore, when using an egress port-scheduler it is important to parent the related regular network port queues to appropriate port-scheduler priority levels to ensure the desired operation under port congestion. This is particularly important for protocol traffic such as LACP, EFM-OAM, ETH-CFM, ARP and IS-IS, which by default use the FC NC regular network port queue.

## Pseudowire Shaping for Layer 2 and Layer 3 Services

This feature allows the user to perform ingress and egress data path shaping of packets forwarded within a spoke-sdp (PW). It applies to a VLL service, a VPLS/B-VPLS service, and an IES/VPRN spoke-interface.

The ingress PW rate-limiting feature uses a policer in the queue-group provisioning model. This model allows the mapping of one or more PWs to the same instance of policers that are defined in a queue-group template.

Operationally, the provisioning model in the case of the ingress PW shaping feature consists of the following steps:

1. Create an ingress queue-group template and configure policers for each FC that needs to be redirected and optionally for each traffic type (unicast, broadcast, unknown, or multicast).



2. Apply the queue-group template to the network ingress forwarding plane where there exists a network IP interface that the PW packets can be received on. This creates one instance of the template on the ingress of the FP. One or more instances of the same template can be created.
3. Configure FC-to-policer mappings together with the policer redirect to a queue-group in the ingress context of a network QoS policy. No queue-group name is specified in this step, which means the same network QoS policy can redirect different PWs to different queue-group templates.
4. Apply this network QoS policy to the ingress context of a spoke-sdp inside a service, or to the ingress context of a PW template and specify the redirect queue-group name.

One or more spoke-sdps can have their FCs redirected to use policers in the same policer queue-group instance.

The egress PW shaping provisioning model allows the mapping of one or more PWs to the same instance of queues, or policers and queues, that are defined in the queue-group template.

Operationally, the provisioning model consists of the following steps:

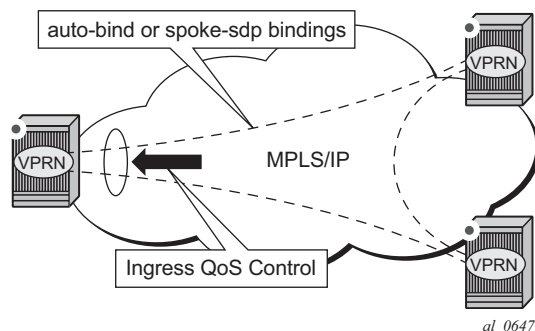
1. Create an egress queue-group template and configure queues only, or policers and queues for each FC which needs to be redirected.
2. Apply the queue-group template to the network egress context of all ports where there exists a network IP interface which the PW packets can be forwarded on. This creates one instance of the template on the egress of the port. One or more instances of the same template can be created.
3. Configure FC-to-policer or FC-to-queue mappings together with the redirect to a queue-group in the egress context of a network QoS policy. No queue-group name is specified in this step, which means the same network QoS policy can redirect different PWs to different queue-group templates.
4. Apply this network QoS policy to the egress context of a spoke-sdp inside a service, or to the egress context of a PW template and specify the redirect queue-group name.

One or more spoke-sdps can have their FCs redirected to use queues only, or queues and policers in the same queue-group instance.

## QoS on Ingress Bindings

Traffic is tunneled between VPRN service instances on different PEs over service tunnels bound to MPLS LSPs or GRE tunnels. The binding of the service tunnels to the underlying transport is achieved either automatically (using the **auto-bind-tunnel** command) or statically (using the **spoke-sdp** command; not that under the VPRN IP interface). QoS control can be applied to the service tunnels for traffic ingressing into a VPRN service, see [Figure 19](#).

**Figure 19: Ingress QoS Control on VPRN Bindings**



An ingress queue group must be configured and applied to the ingress network FP where the traffic is received for the VPRN. All traffic received on that FP for any binding in the VPRN (either automatically or statically configured) which is redirected to a policer in the FP queue group (using **fp-redirect-group** in the network QoS policy) will be controlled by that policer. As a result, the traffic from all such bindings is treated as a single entity (per forwarding class) with regard to ingress QoS control. Any **fp-redirect-group multicast-policer, broadcast-policer** or **unknown-policer** commands in the network QoS policy are ignored for this traffic (IP multicast traffic would use the ingress network queues or queue group related to the network interface).

Ingress classification is based on the configuration of the ingress section of the specified network QoS policy, noting that the dot1p and exp classification is based on the outer Ethernet header and MPLS label whereas the DSCP applies to the outer IP header if the tunnel encapsulation is GRE, or the DSCP in the first IP header in the payload if **ler-use-dscp** is enabled in the ingress section of the referenced network QoS policy.

Ingress bandwidth control does not take into account the outer Ethernet header, the MPLS labels/control word or GRE headers, or the FCS of the incoming frame.

The following command configures the association of the network QoS policy and the FP queue group and instance within the network ingress of a VPRN:

```
configure
 vprn
 network
 ingress
 qos <network-policy-id> fp-redirect-group <queue-group-name>
 instance <instance-id>
```

When this command is configured, it overrides the QoS applied to the related network interfaces for unicast traffic arriving on bindings in that VPRN. The IP and IPv6 criteria statements are not supported in the applied network QoS policy

This is supported for all available transport tunnel types and is independent of the label mode (**vrf** or **next-hop**) used within the VPRN. It is also supported for Carrier-Supporting-Carrier VPRNs.

The ingress network interfaces on which the traffic is received must be on FP2- and higher-based hardware. The above command is ignored on FP1-based hardware.

## Queue Group Templates and Port Queue Groups

### Queue Group Templates

Before a queue group with a specific name may be created on a port or an IOM/IMM/XMA ingress forwarding plane, a queue group template with the same name must first be created. The template is used to define each queue, scheduling attributes and its default parameters. When a queue or policer is defined in a queue group template, that queue will exist in every instance of a port or forwarding plane queue group with that template name. The default queue or policer parameters (such as rate or mbs values) may be overridden with a specific value in each queue group. This works in a similar manner to SAP ingress or SAP egress QoS policies.

Queue sharing is also supported if the High Scale MDA (HSMDA) is used. On ingress, HSMDA queues are bypassed, and the queue group on the IOM forwarding plane is used. On egress, it is possible to redirect forwarding classes from multiple SAPs to an HSMDA queue group. The HSMDA also uses the term *queue group* to describe a group of 8 preconfigured hardware queues on its egress port. When queue sharing and redirection is configured on egress, a set of 8 HSMDA queues could be configured as a part of the queue group template. These correspond to 8 hardware queues on the HSMDA. When all eight (8) egress fcs are mapped to the queue-group instantiated in the egress port, the per-sap hsmdda queue-group resource is freed.

## Port Queue Groups

Once an ingress or egress queue group template is defined, a port based queue group with the same name may be created. Port queue groups are named objects that act as a container for a group of queues. The queues are created based on the defined queue IDs within the associated queue group template. Port queue groups must be created individually on the ingress and egress sides of the port, but multiple port queue groups of the same template name may be created on egress ports if they have a different instance identifier. These are termed ‘queue group instances’. Each instance of a named queue group created on a port is an independent set of queues structured as per the queue group template. Port queue groups are only supported on Ethernet ports and may be created on ports within a LAG.

## Percent-Rate Support

The **percent-rate** command is supported in a queue group template for **pir** and **cir** parameters only for egress queues. The user has the option of specifying **percent-rate** for **pir** and **cir** parameters. For **pir**, the range is 0.01 to 100.00, and for **cir**, the range is 0.00 to 100.00.

The rate can be also configured using the existing keyword rate in Kbps.

When the queue rate is configured with **percent-rate**, a port-limit is applied, specifically, the **percent-rate** is relative to the rate of the port to which the queue is attached.

```
*A:PE>config>qos>qgrps>egr>qgrp>queue# percent-rate
- no percent-rate
- percent-rate <pir-percent> [cir <cir-percent>]

<pir-percent> : [0.01..100.00]
<cir-percent> : [0.00..100.00]
```

## Forwarding Plane Queue Groups

Ingress forwarding plane queue groups allow groups of SAPs on one or more ports, or on a LAG on the IOM, IMM, or XMA, to be bundled together from a QoS enforcement perspective with an aggregate rate limit to be enforced across all SAPs of a bundle. Multiple queue groups are supported per IOM/IMM/XMA or port on access ingress. These are implemented at the forwarding plane level on the ingress IOM so that SAPs residing on different ingress ports or SAPs on a LAG spread across ports on a given IOM can be redirected to the same queue group

Once an ingress queue group template is defined, a forwarding plane queue group with the same name may be created on an ingress forwarding plane of an IOM, IMM, or XMA. Forwarding plane queue groups are named objects that act as a container for a group of policers. Queues are not supported in forwarding plane queue groups. Only hierarchical policers are supported in the forwarding plane queue group, rather than queues. These policers may be configured to use profile-aware behavior. The policers are created based on the defined policer IDs within the associated queue group template. Multiple forwarding plane queue groups of the same template name may be created on ingress if they have a different instance identifier. These are termed *queue group instances*. Each instance of a named queue group created on a forwarding plane is an independent set of policers structured as per the queue group template. Forwarding plane queue groups are only supported with Ethernet ports and may be created on IOMs, IMM, or XMA with ports in a LAG.

## Redirection Models

Two models are supported for forwarding class redirection. In the first, the actual instance of a queue group to use for forwarding class redirection is named in the QoS policy. This is termed *policy-based redirection*.

In the second model, the forwarding class queue or policers to apply redirection to are identified in the ingress or egress QoS policy. However, the specific named queue group instance is not identified until a QoS policy is applied to a SAP. This is termed *SAP-based redirection*.

Policy-based redirection allows different forwarding classes in the same QoS policy to be redirected to different queue groups, but it requires at least one QoS policy to be configured per queue group instance.

SAP-based redirection can require less QoS policies to be configured since the policy does not have to name the queue group. However, if redirected, all forwarding classes of a given SAP must use the same named queue group instance.

Policy based redirection is applicable to port queue groups on access ingress and access and network egress, while SAP based redirection is applicable to forwarding plane queue groups on access and network ingress, and port queue groups on access and network egress.

## Access SAP Forwarding Class Based Redirection

Forwarding class redirection is provisioned within the SAP ingress or SAP egress QoS policy. In each policy, the forwarding class to queue ID mapping may optionally specify a named queue group instance (policy-based redirection) or may simply tag the forwarding class for redirection (SAP-based redirection). When the name is specified, the defined queue ID must exist in the queue group template with the same name.

Redirecting a SAP forwarding class to a queue within a port based queue group using policy-based redirection requires four steps:

1. Create an ingress or egress queue group template. If the forwarding class redirection is in the ingress SAP path, an ingress queue group template must be created. Similarly, an egress queue group template must be created for egress forwarding class redirection. Optionally, you can create the queues in a template by using default parameters. Individual queues must be created before they are associated with a forwarding class. The default queue parameters may be overridden on each port based queue group.
2. Create an ingress or egress queue group instance with the same name as the template on the port associated with the SAP. Examples are as follows:

On ingress ports:

```
config>port>ethernet>access>ingress>queue-group queue-group-name
```

On egress ports:

```
config>port>ethernet>access>egress>queue-group queue-group-name [instance instance-id]
```

Queue parameter overrides can also be applied at this time.

3. Redirect the SAP ingress or SAP egress QoS policy forwarding class policer or queue to the queue group name and desired queue ID (Steps 2 and 3 may be done in opposite order). Examples are as follows:

On ingress:

```
config>qos>sap-ingress policy-id
```

```
 fc fc-name
```

```
 queue queue-id group queue-group-name
```

On egress:

```
config>qos>sap-egress policy-id
```

```
 fc fc-name
```

```
 queue queue-id group queue-group-name instance instance-id
```

```
config>qos>sap-egress policy-id
```

**fc** *fc-name*

**policer** *policer-id* **group** *queue-group-name* **instance** *instance-id*

4. Finally, the SAP ingress or SAP egress QoS policy must be applied to the SAP.

Redirecting a SAP forwarding class to a queue within an egress port based or ingress forwarding plane queue group using SAP-based redirection requires four steps:

1. Create an ingress or egress queue group template. If the forwarding class redirection is in the ingress SAP path, an ingress queue group template must be created. Similarly, an egress queue group template must be created for egress forwarding class redirection. Optionally, you can create the queues in a template by using default parameters. Individual queues must be created before they are associated with a forwarding class. The default queue parameters may be overridden on each port based queue group.
2. Create an ingress queue group instance on the forwarding plane of the IOM/IMM/XMA, or an egress port queue group with the same name as the template on the port associated with the SAP.

On ingress:

```
config>card>fp>ingress>access>queue-group queue-group-name instance
instance-id [create]
```

On egress:

```
config>port>ethernet>access>egress>queue-group queue-group-name [instance
instance-id]
```

3. Redirect the SAP ingress forwarding class policer in the SAP-ingress QoS policy using the keyword **fp-redirect-group** keyword on the policer, or SAP egress forwarding class queue or policer using the **port-redirect-group** keyword. (Steps 2 and 3 may be done in opposite order.)

On ingress:

```
config>qos>sap-ingress policy-id
```

**fc** *fc-name*

**queue** *queue-id* **fp-redirect-group**

On egress:

```
config>qos>sap-egress policy-id
```

**fc** *fc-name*

**queue** *queue-id* **port-redirect-group-queue**

```
config>qos>sap-egress policy-id
```

**fc** *fc-name*

**policer** *policer-id* **port-redirect-group-queue**

## Queue Sharing and Redirection

4. Finally, the SAP ingress or SAP egress QoS policy must be applied to the SAP. The named queue group instance that was created on the ingress forwarding plane or the egress port must be specified at this time.

On ingress:

```
config>service>epipe>sap sap-id
```

```
ingress
```

```
qos sap-ingress-policy-id fp-redirect-group queue-group-name instance
instance-id
```

On egress:

```
config>service>epipe>sap sap-id
```

```
egress
```

```
qos sap-egress-policy-id port-redirect-group queue-group-name instance
instance-id
```

Redirection to a queue group on the HSMDA supports the SAP-based provisioning model, only.

## Ingress and Egress SAP Forwarding Class Redirection Association Rules

### Policy Based Provisioning Model

The association rules between SAP ingress and egress QoS policies and queue group templates are simple since both the target queue group name and queue ID within the group are explicitly stated within the access QoS policies.

The following association rules apply when the policy based provisioning model is applied with port queue groups.

When a SAP ingress QoS policy forwarding class is redirected to a queue group queue ID:

- If the queue group name does not exist as an ingress queue group template, the forwarding class redirection will fail.
- If a redirection queue ID does not exist within the ingress queue group template, the forwarding class redirection will fail.
- If the SAP ingress QoS policy is currently applied to a non-Ethernet port or an Ethernet port where the specified ingress queue group does not exist, the forwarding class redirection will fail.



When a SAP ingress QoS policy forwarding class redirection is removed from a queue group queue ID:

- If the forwarding class is being moved to another queue group queue ID that does not exist within an ingress queue group template, the redirection removal from the current queue group queue ID will fail.
- If the forwarding class is being moved to a local queue ID within the SAP ingress QoS policy and the local queue ID does not exist, the redirection removal from the current queue group queue ID will fail.
- If the forwarding class is being moved to a local queue ID within the SAP ingress QoS policy and it is the first forwarding class to be mapped to the queue ID the system will attempt to instantiate the queue on each ingress SAP where the SAP ingress QoS policy is applied. If the queue cannot be created on any of the SAPs, the redirection removal from the current queue group ID will fail.

When a SAP egress QoS policy forwarding class is redirected to a queue group queue ID:

- If the queue group name does not exist as an egress queue group template, the forwarding class redirection will fail.
- If a redirection queue ID does not exist within the egress queue group template, the forwarding class redirection will fail.
- If the SAP egress QoS policy is currently applied to a non-Ethernet port or an Ethernet port where the specified egress queue group does not exist, the forwarding class redirection will fail.

When a SAP egress QoS policy forwarding class redirection is removed from a queue group queue ID:

- If the forwarding class is being moved to another queue group queue ID that does not exist within an egress queue group template, the redirection removal from the current queue group queue ID will fail.
- If the forwarding class is being moved to a local queue ID within the SAP egress QoS policy and the local queue ID does not exist, the redirection removal from the current queue group queue ID will fail.
- If the forwarding class is being moved to a local queue ID within the SAP egress QoS policy and it is the first forwarding class to be mapped to the queue ID the system will attempt to instantiate the queue on each egress SAP where the SAP egress QoS policy is applied. If the queue cannot be created on any of the SAPs, the redirection removal from the current queue group ID will fail.

If the above operation is successful then:

- The system decrements the association counter for the egress queue group template with the same name as the queue group previously specified in the forwarding class redirection.

## Queue Sharing and Redirection

- The system decrements the queue ID association counter within the queue group template for the queue ID previously specified in the forwarding class redirection.
- The system decrements the port queue group association counter for each egress port queue group where the SAP egress QoS policy is applied to a SAP.

When a SAP ingress QoS policy with a forwarding class redirection to a queue group queue ID is applied to a SAP:

- If the queue group specified in any forwarding class redirection does not exist as an ingress port queue group on the port associated with the SAP, the SAP ingress QoS policy application will fail.

If the operation above is successful, then:

- The system increments the port queue group association counter for each ingress port queue group referenced in a forwarding class redirection on the port associated with the SAP. The ingress port queue group association counter is incremented for each forwarding class redirected to the queue group within the added policy.

When a SAP ingress QoS policy with a forwarding class redirection to a queue group queue ID is removed from a SAP:

- If removing the SAP ingress QoS policy from the SAP results in the need to instantiate an ingress queue for the SAP that cannot be created, the SAP ingress QoS policy removal action will fail.

If the operation above is successful, then:

- The system decrements the port queue group association counter for each egress port queue group referenced in a forwarding class redirection within the removed SAP egress QoS policy. The egress port queue group association counter is decremented for each forwarding class redirected to the queue group within the removed policy.

## SAP-Based Provisioning Model

When a redirection to a named forwarding plane queue group instance is applied to a SAP on ingress:

- If the queue group name does not exist as an ingress queue group template, the redirection will fail.
- If a queue group name does exist as an ingress queue group template, but the specified instance-id has not been instantiated on the same forwarding plane as used by the SAP, the redirection will fail.

- If a redirected policer ID in the SAP ingress QoS policy does not match a policer ID in the named ingress queue group template, the redirection will fail.
- If the SAP ingress QoS policy is currently applied to a non-Ethernet port or an Ethernet port where the specified ingress queue group instance does not exist on the forwarding plane, the redirection will fail.

If the operation above is successful, then:

- The system increments the association counter for the ingress queue group template with the same name as the queue group specified in the SAP redirection for each forwarding class redirected to the template.
- The system increments the policer ID association counter within the queue group template for each forwarding class redirected to a policer ID.
- The system increments the forwarding plane queue group instance association counter for each ingress queue group instance where a SAP ingress QoS policy specifying redirection is applied to a SAP.

When redirection to a named queue group is removed from an ingress SAP:

- If the forwarding class is being moved to another queue group policer ID that does not exist within the ingress FP queue group, the redirection removal from the current queue group policer ID will fail.
- If the forwarding class is being moved to a local policer ID within the SAP ingress QoS policy and the local policer ID does not exist, the redirection removal from the current queue group policer ID will fail.
- If the forwarding class is being moved to a local policer ID within the SAP ingress QoS policy and it is the first forwarding class to be mapped to the policer ID the system will attempt to instantiate the policer on each ingress SAP where the SAP ingress QoS policy is applied. If the policer cannot be created on any of the SAPs, the redirection removal from the current queue group policer ID will fail.

If the operation above is successful, then:

- The system decrements the association counter for the ingress queue group template with the same name as the queue group previously specified in the forwarding class redirection.
- The system decrements the policer ID association counter within the queue group template for the policer ID previously specified in the forwarding class redirection.

The system decrements the forwarding plane queue group template association counter for each ingress queue group where redirection is applied to the ingress SAP.

For the SAP-based provisioning model, the rules for redirecting a forwarding class queue to an egress port queue group are similar to those on ingress.

## Queue Sharing and Redirection

- If an egress QoS policy containing one or more redirections is applied to a SAP, but either no queue group instance is specified at association time, or a named queue group instance is specified and either the queue group name or the instance identifier does not correspond to a queue group that has been created on the egress port, then the association will be rejected.
- If all of the redirections in an egress QoS policy are to queue ids that do not exist in the named queue group instance, then the association will be rejected.
- If a policer local to a SAP feeds into a SAP based queue group queue instance, and the queue ID to use is not explicitly specified in the egress QoS policy (through the command `policer policer-id port-redirect-group-queue`) and is instead inferred from the forwarding class of the policer, but that forwarding class does not exist in the queue group template, then no error is generated. Instead, the queue with the lowest queue ID is used in the queue group instance. If at a later time, a user attempts to add a queue with a given queue-id to a policer redirect for a given forwarding class in the egress QoS template, then the system will check that the corresponding queue-id exists in any queue group instances associated with any SAPs using the QoS policy.

## Access Queue Group Statistics

### Port Queue Groups

When a forwarding class is redirected to an ingress or egress port queue group queue, the packets sent to the queue are statistically tracked by a set of counters associated with the queue group queue and not with any of the counters associated with the SAP.

This means that it is not possible to perform accounting within a queue group based on the source SAPs feeding packets to the queue. The statistics associated with the SAP will not reflect packets redirected to a port queue group queue.

The set of statistics per queue are eligible for collection in a similar manner as SAP queues. The `collect-stats` command enables or disables statistics collection in to a billing file based on the accounting policy applied to the queue group.

### Forwarding Plane Queue Groups

When a forwarding class is redirected to a forwarding plane queue group queue or policer, the packets sent to the queue or policer are statistically tracked by a set of counters associated with the queue group queue/policer and not with any of the counters associated with the SAP.

This means that it is not possible to perform accounting within a queue group based on the source SAPs feeding packets to the queue. That is, the statistics associated with the SAP will not include packets redirected to a queue group queue.

If the user enables the **packet-byte-offset** {*add bytes* | *subtract bytes*} option under the ingress queue-group policer, the byte counters of that policer will reflect the adjusted packet size.

The set of statistics per queue are eligible for collection in a similar manner to SAP queues. The **collect-stats** command enables or disables statistics collection in to a billing file based on the accounting policy applied to the queue group.

## Network IP Interface Forwarding Class-Based Redirection

Forwarding class redirection for a network IP interface is defined in a four step process.

1. Create an ingress or egress queue group template with the appropriate queues or policers.
2. Apply an instance of an ingress queue-group template created in step 1 (containing only policers) to the FP ingress network configuration context of card X. In addition, or alternatively, apply an instance of an egress queue-group template created in step 1 to the network egress configuration context of port Y.
3. Configure the network QoS policy used on the IP interface to redirect ingress traffic to a policer ID (defined in the ingress queue-group template created in step 1) on the basis of forwarding-class and forwarding-type (unicast vs. multicast). In addition, or alternatively, configure the network QoS policy to redirect egress traffic to a queue ID and/or a policer ID based on forwarding-class.
4. Apply the network QoS policy to the network IP interface and at the same time specify the ingress and/or egress queue-group instances associated with the interface.

## Egress Network Forwarding Class Redirection Association Rules

The association rules work differently for network egress IP interfaces than they do for access SAPs. Since the network QoS policy does not directly reference the queue group names, the system is unable to check for queue group template existence or queue ID existence when the forwarding class queue redirection is defined. Configuration verification can only be checked at the time the network QoS policy is applied to a network IP interface.

## Queue Sharing and Redirection

The system keeps an association counter for each queue group template and an association counter for each queue ID within the template. The system also keeps an association counter for each queue group created on a port.

When a network QoS policy is applied to an IP interface with the queue group parameter specified:

- If the queue group name does not exist as an egress queue group template, the QoS policy application will fail.
- If a redirection queue ID within the policy does not exist within the egress queue group template, the QoS policy application will fail.
- If the IP interface is bound to a port (or LAG) and the specified queue group name does not exist on the port, the QoS policy application will fail.

If the operation above is successful, then:

- The system increments the association counter for the queue group template with the same name as the queue group specified when the QoS policy is applied.
- The system increments the queue ID association counter within the queue group template for each forwarding class redirected to the queue ID.
- If the IP interface is currently bound to a port (or LAG), the association counter for the queue group on the port is incremented.

When the queue group parameter is removed from an IP interface:

- The system decrements the association counter for the queue group template with the same queue group name that was removed from the IP interface.
- The system decrements the queue ID association counter within the queue group template for each forwarding class that had previously been redirected to the queue ID.
- If the IP interface is currently bound to a port (or LAG), the association counter for the removed queue group on the port is decremented.

When a network QoS policy egress forwarding class redirection to a queue ID is removed or added:

- If a redirection is being added to a forwarding class and the queue ID does not exist on the queue groups for IP interfaces where the QoS policy is applied, the redirection will fail.

If the operation above is successful, then:

- The system finds all IP interfaces where the policy is applied.
- Finds all affected queue group templates based on the queue group associated with the QoS policy on each interface.

- If removing, the queue ID association counter is decremented within each queue group template based on the queue ID removed from the policy.
- If adding, the queue ID association counter is incremented within each queue group template based on the queue ID added to the policy.

When an IP interface associated with a queue group is bound to a port:

- If the specified egress queue group does not exist on the port, the port binding will fail.

If the operation above is successful, then:

- The system increments the association counter for the queue group on the port.

When an IP interface associated with a queue group is unbound from a port:

- The system decrements the association counter for the queue group on the unbound port

## Egress Network IP Interface Statistics

The statistics for network interfaces work differently than statistics on SAPs. Counter sets are created for each egress IP interface and not per egress queue. When a forwarding class for an egress IP interface is redirected from the default egress port queue to a queue group queue, the system continues to use the same counter set.

## Separate Ingress IPv4 and IPv6 Statistics

This feature adds support for separate ingress IPv4 and IPv6 statistics on IP interfaces. IES and VPRN interfaces, and subscriber group interfaces on IES and VPRN, as well as for uRPF. In previous release, the ingress statistics for IPv4 and IPv6 traffic was combined into a single set of packet and bytes counters. The existing counters will now only count IPv4 traffic, while new separate counters are available to IPv6 traffic.

The feature introduces a new CLI command to explicitly enable ingress statistics on IP interfaces, changing the default to disabled.

## Ingress PW Shaping Using Spoke-SDP Forwarding Class-

## Based Redirection

### Feature Configuration

The user applies a network QoS policy to the ingress context of a spoke-SDP to redirect the mapping of a Forwarding Class (FC) to a policer defined in a queue-group template which is instantiated on the ingress Forwarding Plane (FP) where the PW packets are received. (This feature applies to both spoke-SDP and mesh-SDP. Spoke-SDP is used throughout for ease of reading.)

```
config>service>vprn>interface>spoke-sdp>ingress>qos network-policy-id fp-redirect-group queue-group-name instance instance-id
```

Let us refer to a queue-group containing policers as a *policer queue-group*. The user must instantiate this queue-group by applying the following command:

```
config>card>fp>ingress>network>queue-group queue-group-name instance instance-id
```

The policers are instantiated at ingress FP, one instance per destination tap, and are used to service packets of this spoke-SDP which are received on any port on the FP to support a network IP interface on LAG and on any network IP interface to support ECMP on the network IP interface and LSP reroutes to a different network IP interface on the same FP.

In the ingress context of the network QoS policy, the user defines the mapping of a FC to a policer-id and instructs the code to redirect the mapping to the policer of the same ID in some queue-group:

```
config>qos>network>ingress>fc>fp-redirect-group policer policer-id
config>qos>network>ingress>fc>fp-redirect-group broadcast-policer policer-id
config>qos>network>ingress>fc>fp-redirect-group unknown-policer policer-id
config>qos>network>ingress>fc>fp-redirect-group mcast-policer policer-id
```

The user can redirect the unicast, broadcast, unknown, and multicast packets of a FC to different policers to allow for different policing rates for these packet types (broadcast and unknown are only applicable to VPLS services). However, the queue-group is explicitly named only at the time the network QoS policy is applied to the spoke-SDP as shown above with the example of the VPRN service.

When the FC of a PW is redirected to use a policer in the named queue-group, the policer feeds the existing per-FP ingress shared queues referred to as *policer-output-queues*. These queues are shared by both access and network policers configured on the same ingress FP. The shared queue parameters are configurable using the following command:

```
configure>qos>shared-queue policer-output-queues
```



The CLI configuration in this section uses a spoke-SDP defined in the context of a VPRN interface. However the PW shaping feature is supported with all PW based services including the PW template.

### Provisioning Model

Operationally, the provisioning model in the case of the ingress PW shaping feature consists of the following steps:

1. Create an ingress queue-group template and configure policers for each FC which needs to be redirected and optionally for each traffic type (unicast, broadcast, unknown, or multicast).
2. Apply the queue-group template to the network ingress context of all IOM3/IMM FPs where there exists a network IP interface which the PW packets can be received on. This creates one instance of the template on the ingress of the FP. One or more instances of the same template can be created.
3. Configure FC-to-policer mappings together with the policer redirect to a queue-group in the ingress context of a network QoS policy. No queue-group name is specified in this step which means the same network QoS policy can redirect different PWs to different queue-group templates.
  - a. Apply this network QoS policy to the ingress context of a spoke-SDP inside a service or to the ingress context of a PW template and specify the redirect queue-group name.
  - b. One or more spoke-SDPs can have their FCs redirected to use policers in the same policer queue-group instance.

The following are the constraints and rules of this provisioning model when used in the ingress PW shaping feature:

1. Only a queue-group containing policers, can be instantiated in the network ingress context of an IOM3/IMM FP. If the queue-group template contains policers and queues, the queues are not instantiated.
2. If the queue-group contains queues only, the instantiation in the data path is failed.
3. One or more instances of the same policer queue-group name and/or a different policer queue-group name can be created on network ingress context of an IOM3/IMM FP.
4. The queue-group-name must be unique within all network ingress and access ingress queue groups in the system.
5. The instantiated FP policer queue-group can be used by PW packets received on a network IP interface configured on both Ethernet ports and POS ports of that IOM3/IMM.

## Queue Sharing and Redirection

6. When a PW FC is redirected to use a policer in a named policer queue-group and the queue-group name does not exist, the association is failed at the time the user associates the ingress context of a spoke-SDP to the named queue-group. In such a case, the PW packet feeds directly the ingress network shared queue for that FC defined in the network-queue policy applied to the ingress of the MDA/FP.
7. When a PW FC is redirected to use a policer in a named policer queue-group and the queue-group name exists but the policer-id is not defined in the queue-group template, the association is failed at the time the user associates the ingress context of a spoke-SDP to the named queue-group. In such a case, the PW packet feeds directly the ingress network shared queue for that FC defined in the network-queue policy applied to the ingress of the MDA/FP.
8. When a PW FC is redirected to use a policer in a named policer queue-group and the queue-group name exists and the policer-id is defined in the queue-group template, it is not required to check that an instance of that queue-group exists in all ingress FPs which have network IP interfaces. The handling of this is dealt with in the data path as follows:
  - a. When a PW packet for that FC is received and an instance of the referenced queue-group name exists on that FP, the packet is processed by the policer and is then feed the per-FP ingress shared queues referred to as *policer-output-queues*.
  - b. When a PW packet for that FC is received and an instance of the referenced queue-group name does not exist on that FP, the PW packets are fed directly into the corresponding ingress network shared queue for that FC defined in the network-queue policy applied to the ingress of the MDA/FP.
9. If a network QoS policy is applied to the ingress context of a PW, any PW FC, which is not explicitly redirected in the network QoS policy, has the corresponding packets feed directly the ingress network shared queue for that FC defined in the network-queue policy applied to the ingress of the MDA/FP.
  - a. This behavior is the same regardless if the ingress network IP interface from which the PW packet is received is redirected or not to a policer queue-group.
10. If no network QoS policy is applied to the ingress context of the PW, then all packets of the PW feed:
  - a. the ingress network shared queue for the packet FC defined in the network-queue policy applied to the ingress of the MDA/FP. This is the default behavior.
  - b. a queue-group policer followed by the per-FP ingress shared queues referred to as *policer-output-queues* if the ingress context of the network IP interface from which the packet is received is redirected to a queue-group. The only exceptions to this behavior are for packets received from a IES/VPRN spoke interface and from a R-VPLS spoke-SDP, which is forwarded to the R-VPLS IP interface. In these two cases, the ingress network shared queue for the packet FC defined in the network-queue policy applied to the ingress of the MDA/FP is used.

## Ingress Packet Classification

When a PW is redirected to use a policer queue-group, the classification of the packet for the purpose of FC and profile determination is performed according to default classification rule or the QoS filters defined in the ingress context of the network QoS policy applied to the PW. This is true regardless if an instance of the named policer queue-group exists on the ingress FP the PW packet is received on. The user can apply a QoS filter matching the dot1.p in the VLAN tag corresponding to the Ethernet port encapsulation, the EXP in the outer label when the tunnel is an LSP, the DSCP in the IP header if the tunnel encapsulation is GRE, and the DSCP in the payload's IP header if the user enabled the **ler-use-dscp** option and the PW terminates in IES or VPRN service (spoke-interface).

When the policer queue-group name the PW is redirected does not exist, the redirection command is failed. In this case, the packet classification is performed according to default classification rule or the QoS filters defined in the ingress context of the network QoS policy applied to the network IP interface the PW packet is received on.

## Egress PW Shaping using Spoke-SDP Forwarding Class-Based Redirection

### Feature Configuration

The user applies a network QoS policy to the egress context of a spoke-sdp to redirect the mapping of a Forwarding Class (FC) to a policer and/or a queue part of a queue-group instance created in the egress of a network port.

```
config>service>vprn>interface>spoke-sdp>egress>qos network-policy-id port-redirect-group queue-group-name instance instance-id
```

The queue-group queues or policers are instantiated at egress port, one instance per network port and per link of LAG network port and are used to service packets of this spoke-SDP, which are forwarded over any network IP interface on this port.

```
config>port>ethernet>network>egress>queue-group queue-group-name instance instance-id
```

In the egress context of the network QoS policy, the user defines the mapping of a FC to a policer-id or a queue-id and instructs the code to redirect the mapping to the queue or policer of the same ID in some queue-group. However, the queue-group is explicitly named only at the time the network QoS policy is applied to the spoke-SDP as shown above with the example of the VPRN service. The command is as follows:

## Queue Sharing and Redirection

```
config>qos>network>egress>fc>port-redirect-group {queue queue-id | policer policer-id [queue queue-id] }
```

There are three possible outcomes when executing this command.

- The user can redirect a FC to use a queue in a queue-group and in which case there are no policers used.

```
config>qos>network>egress>fc>port-redirect-group queue queue-id
```

- The user can redirect a FC to use a policer-id in a queue-group without specifying a queue-id and in which case the policer is feeding the egress shared queue for that FC defined in the network-queue policy applied to the egress of this port.

```
config>qos>network>egress>fc>port-redirect-group policer policer-id
```

- The user can redirect a FC to use a policer feeding a queue both of which are defined in the named queue-group.

```
config>qos>network>egress>fc>port-redirect-group policer policer-id queue queue-id
```

The CLI configuration in this section uses a spoke-sdp defined in the context of a VPRN interface. However the PW shaping feature is supported with all PW based services and PW template.

## Provisioning Model

This provisioning model allows the mapping of one or more PWs to the same instance of queues, or policers and queue, which are defined in the queue-group template.

Operationally, the provisioning model consists of the following steps:

1. Create an egress queue-group template and configure queues only or policers and queues for each FC which needs to be redirected.
2. Apply the queue-group template to the network egress context of all IOM3/IMM ports where there exists a network IP interface which the PW packets can be forwarded on. This creates one instance of the template on the egress of the port. One or more instances of the same template can be created.
3. Configure FC-to-policer or FC-to-queue mappings together with the redirect to a queue-group in the egress context of a network QoS policy. No queue-group name is specified in this step which means the same network QoS policy can redirect different PWs to different queue-group templates.
  - a. Apply this network QoS policy to the egress context of a spoke-sdp inside a service or to the egress context of a PW template and specify the redirect queue-group name.

- b. One or more spoke-sdps can have their FCs redirected to use queues only or queues and policers in the same queue-group instance.

The following are the constraints and rules of this provisioning model:

1. Queue-groups containing queues only or policers and queues can be instantiated in the network egress context of an Ethernet port on IOM3/IMM.
2. When a port is a LAG, one instance of the queue-group is instantiated on each member link.
3. One or more instances of the same queue-group name and/or a different queue-group name can be created in the network egress context of an Ethernet port.
4. The queue-group-name must be unique within all network egress and access egress queue groups in the system.
5. A user attempt to instantiate the queue-group on the network egress context of a POS port or a TDM port will fail.
6. When a PW FC is redirected to use a queue or a policer and a queue in a queue-group and the queue-group name does not exist, the association is failed at the time the user associates the egress context of a spoke-SDP to the named queue-group. In such a case, the PW packet is fed directly to the corresponding egress queue for that FC used by the IP network interface the PW packet is forwarded on. This queue can be a queue-group queue or the egress shared queue for that FC defined in the network-queue policy applied to the egress of this port. This is the existing implementation and default behavior for a PW packet.
7. When a PW FC is redirected to use a queue or a policer and a queue in a queue-group and the queue-group name exists but the policer-id and/or the queue-id is not defined in the queue-group template, the association is failed at the time the user associates the egress context of a spoke-SDP to the named queue-group. In such a case, the PW packet is fed directly to the corresponding egress queue for that FC used by the IP network interface the PW packet is forwarded on.
8. When a PW FC is redirected to use a queue or a policer and a queue in a queue-group and the queue-group name exists and the policer-id or policer-id plus queue-id exist, it is not required to check that an instance of that queue-group exists in all egress network ports which have network IP interfaces. The handling of this is dealt with in the data path as follows:
  - a. When a PW packet for that FC is forwarded and an instance of the referenced queue-group name exists on that egress port, the packet is processed by the queue-group policer and is fed to the queue-group queue. If only a policer is specified in the redirection command, then the packet is processed by the queue-group policer and is then fed into the corresponding egress shared queue for that FC defined in the network-queue policy applied to the egress of this port. If only a queue is specified in the redirection command, the packet is fed to the queue-group queue.

## Queue Sharing and Redirection

- b. When a PW packet for that FC is forwarded and an instance of the referenced queue-group name does not exist on that egress port, the PW packet is fed directly to the corresponding egress shared queue for that FC defined in the network-queue policy applied to the egress of this port.
- c. If a network QoS policy is applied to the egress context of a PW, any PW FC, which is not explicitly redirected in the network, QoS policy has the corresponding packets feed directly the corresponding the egress shared queue for that FC defined in the network-queue policy applied to the egress of this port.

## Egress Marking of PW Packet Header

When the queue-group name the PW is redirected to exists and the redirection succeeds, the marking of the packet's DEI/dot1p/DSCP and the tunnel's DEI/dot1p/DSCP/EXP is performed according to the relevant mappings of the {FC, profile} in the egress context of the network QoS policy applied to the PW. This is true if an instance of the queue-group exists on the egress port the PW packet is forwarded to. If the packet's profile value changed due to egress child policer CIR profiling, the new profile value is used to mark the packet's DEI/dot1p and the tunnel's DEI/dot1p/EXP and the DSCP/prec will be remarked if **enable-dscp-prec-marking** is enabled under the policer.

When the redirection command succeeds but there is no instance of the queue-group on the egress port, or when the redirection command fails due to an inexistent queue-group name, the marking of the packet's DEI/dot1p/DSCP and the tunnel's DEI/dot1p/DSCP/EXP fields is performed according to the relevant commands in the egress context of the network QoS policy applied to the network IP interface the PW packet is forwarded to.

## Egress Packet Re-Classification Based on IPv4/IPv6 Criteria

The user enables IP precedence or DSCP based egress re-classification by applying the following command in the context of the network QoS policy applied to the egress context of a spoke-SDP.

```
config>qos>network>egress>prec ip-prec-value [fc fc-name] [profile {in | out}]
```

```
config>qos>network>egress>dscp dscp-name [fc fc-name] [profile {in | out}]
```

The IP precedence bits used to match against DSCP reclassification rules come from the Type of Service (ToS) field within the IPv4 header or the Traffic Class field from the IPv6 header.

The IP DSCP bits used to match against DSCP reclassification rules come from the Type of Service (ToS) field within the IPv4 header or the Traffic Class field from the IPv6 header.

If the packet does not have an IP header, DSCP or IP-precedence based matching is not performed.

The IP precedence and DSCP based re-classification are only supported on a PW used in an IES or VPRN spoke-interface. The CLI blocks the application of a network QoS policy with the egress re-classification commands to a network IP interface or to a spoke-SDP part of L2 service. Conversely, the CLI does not allow the user to add the egress re-classification commands to a network QoS policy if it is being used by a network IP interface or a L2 spoke-SDP.

In addition, the egress re-classification commands only take effect if the redirection of the spoke-SDP to use an egress port queue-group succeeds; for example, the following CLI commands succeed:

```
config>service>vprn>interface>spoke-sdp>egress>qos network-policy-id port-redirect-group queue-group-name instance instance-id
```

```
config>service>ies>interface>spoke-sdp>egress>qos network-policy-id port-redirect-group queue-group-name instance instance-id
```

Reclassification will however occur regardless of whether the queue group instance exists or not on a given egress network port. When the redirection command fails in CLI, the PW uses the network QoS policy assigned to the network IP interface. Since the network QoS policy applied to a network IP interface does not support re-classification, the PW packets do not undergo re-classification.

## Ingress Per SAP Statistics with Ingress Queue Groups

A new statistic displaying the number of valid ingress packets received on a SAP, or subscribers on that SAP, is shown below in the *sap-stats* output. This is available for SAPs in all services. This is particularly useful to display SAP level traffic statistics when forwarding classes in a SAP ingress policy have been redirected to an ingress queue group.

In the example below, traffic is received on an ingress FP policer with a *packet-byte-offset of subtract 10*. It can be seen that the ingress **queueing stats** and **offered forwarding engine stats** are all zero as the traffic is using the FP ingress policer. The Received Valid statistic is non-zero and matches that seen on the ingress FP queue group, with the difference being that the packet-byte-offset is applied to the **queue group policer octets** but not the **Received Valid** octets.

The value in the Received Valid field may not instantaneously match the sum of the offered stats (even in the case where all traffic is using the SAP queues) when traffic is being forwarded, however, once the traffic has stopped the Received Valid will equal the sum of the offered stats.

## Queue Sharing and Redirection

```
A:PE1# show service id 100 sap 1/1/3 sap-stats
```

```
=====
Service Access Points(SAP)
=====
```

```
Service Id : 100
SAP : 1/1/3 Encap : null
Description : (Not Specified)
Admin State : Up Oper State : Up
Flags : None
Multi Svc Site : None
Last Status Change : 04/04/2014 11:45:25
Last Mgmt Change : 04/04/2014 11:48:01

```

```
Sap Statistics

```

```
Last Cleared Time : 04/04/2014 11:51:12
```

```
 Packets Octets
CPM Ingress : 0 0
```

```
Forwarding Engine Stats
```

```
Dropped : 0 0
Received Valid : 5 510
Off. HiPrio : 0 0
Off. LowPrio : 0 0
Off. Uncolor : 0 0
Off. Managed : 0 0
```

```
Queueing Stats(Ingress QoS Policy 100)
```

```
Dro. HiPrio : 0 0
Dro. LowPrio : 0 0
For. InProf : 0 0
For. OutProf : 0 0
```

```
Queueing Stats(Egress QoS Policy 1)
```

```
Dro. InProf : 0 0
Dro. OutProf : 0 0
For. InProf : 0 0
For. OutProf : 0 0
=====
```

```
A:PE1#
```

```
A:PE1# show card 1 fp 1 queue-group "qg1" instance 1 mode access statistics ingress
```

```
=====
Card:1 Acc.QGrp: qg1 Instance: 1
=====
```

```
Group Name : qg1
Description : (Not Specified)
Pol Ctl Pol : None Acct Pol : None
Collect Stats : disabled

```

```
Statistics

```

```
 Packets Octets
Ing. Policer: 1 Grp: qg1 (Stats mode: minimal)
Off. All : 5 460
Dro. All : 0 0
```



```
For. All : 5 460
=====
A:PE1#
```

## Ingress and Egress PW Statistics

The PW forwarded packet and octet statistics (SDP binding statistics) are currently supported for both ingress and egress and are available via show command, monitor command, and accounting file. These statistics consist of the ingress-forwarded and ingress-dropped packet and octet counters, as well as the egress-forwarded packet and octet counters. However, they do not include discards in the ingress network queues. The latter are counted in the stats of the queues defined in the network-queue policy applied to the ingress of the MDA/FP.

The ingress and egress SDP binding stats do not count the label stack of the PW packet but count the PW Control Word (CW) if included in the packet.

With the introduction of the PW shaping feature—the ingress or egress queue-group policer—a PW FC is redirected to also provide packet and octet forwarded and dropped-statistics by means of the show command, monitor command, and accounting file of the ingress or egress queue-group instance.

Similar to the SDP binding stats, the ingress policer stats for a spoke-SDP does not count the label stack. When the spoke-SDP is part of a L2-service, they will count the L2-encapsulation, minus CRC and VLAN tag if popped out, and they also count the PW CW, if included in the packet. When the spoke-SDP is part of a L3-service, the policer stats only count the IP payload and do not count the PW CW. Unlike the ingress SDP binding stats, if the user enables the **packet-byte-offset** {*add bytes* | *subtract bytes*} option under the queue-group policer, then the policer stats reflect the adjusted packet size in both L2 and L3-spoke-SDPs.

The egress queue-group policer and/or queue counts the full label stack of the PW packet including the CW. If the user enables the **packet-byte-offset** {*add bytes* | *subtract bytes*} option under the queue-group policer and queue-group queue, then the policer and queue stats reflect the adjusted packet size.

The SDP binding and queue-group statistics does however remain separate as one or more PWs can have FCs redirected to the same policer ID in the queue-group instance.

## **Queue Group Behavior on LAG**

### **Queue Group Queue Instantiation Per Link**

When a port queue group is created on a Link Aggregation Group (LAG) context, it is individually instantiated on each link in the LAG.

### **Per Link Queue Group Queue Parameters**

The queue parameters for a queue within the queue group are used for each port queue and are not divided or split between the port queues representing the queue group queue. For instance, when a queue rate of 100Mbps is defined on a queue group queue, each instance of the queue group (on each LAG port) will have a rate of 100Mbps.

### **Adding a Queue Group to an Existing LAG**

A queue group must be created on the primary (lowest port ID) port of the LAG. If an attempt is made to create a queue group on a port other than the primary, the attempt will fail. When the group is defined on the primary port, the system will attempt to create the queue group on each port of the LAG. If sufficient resources are not available on each port, the attempt to create the queue group will fail.

Any queue group queue overrides defined on the primary port will be automatically replicated on all other ports within the LAG.

### **Removing a Queue Group from a LAG**

A queue group must be removed from the primary port of the LAG. The queue group will be deleted by the system from each of the port members of the LAG.

## Adding a Port to a LAG

When adding a port to a LAG group, the port must have the same queue groups defined as the existing ports on the LAG before it will be allowed as a member. This includes all queue group override parameters.

## Basic Configurations

- [Configuring an Ingress Queue Group Template](#)
- [Configuring Egress Queue Group Template](#)
- [Applying Ingress Queue Group to SAP Ingress Policy](#)
- [Applying Egress Queue Group to SAP Egress Policy](#)
- [Configuring Queue Group on Ethernet Access Ingress Port](#)
- [Configuring Overrides](#)
- [Configuring Queue Group on Ethernet Access Egress Port](#)
- [Configuring Queue Group for Network Egress Traffic on Port](#)
- [Configuring Queue Group for Network Ingress Traffic on Forwarding Plane](#)
- [Using Queue Groups to Police Ingress/Egress Traffic on Network Interface](#)
- [Configuring Ingress/Egress PW Shaping Using Spoke-SDP Forwarding Class-Based Redirection](#)
- [Specifying QoS Policies on Service SAPs](#)

## Configuring an Ingress Queue Group Template

The following displays an ingress queue group template configuration example:

```
*A:Dut-T>cfg>qos>qgrps# info

 ingress
 queue-group "QG_ingress_1" create
 queue 1 best-effort create
 mbs 100
 exit
 queue 2 best-effort create
 mbs 100
 exit
 queue 3 best-effort create
 mbs 100
 exit
 queue 4 best-effort create
```

## Basic Configurations

```
 mbs 100
 exit
 exit
 exit

*A:Dut-T>cfg>qos>qgrps#
```



**Note:** To fully use the queue group feature to save queues, you must explicitly map all forwarding classes to queue group queues. This rule is applicable to SAP ingress, SAP egress and network QoS policies.

## Configuring Egress Queue Group Template

The following displays an egress queue group template configuration example:

```
*A:Dut-T>cfg>qos>qgrps# info

...
 egress
 queue-group "QG_egress_1" create
 description "Egress queue group"
 queue 1 best-effort create
 mbs 100
 exit
 queue 2 best-effort create
 mbs 100
 exit
 queue 3 best-effort create
 mbs 100
 exit
 queue 4 best-effort create
 mbs 100
 exit
 exit
 exit

*A:Dut-T>cfg>qos>qgrps#
```

## Applying Ingress Queue Group to SAP Ingress Policy

The following display a SAP ingress policy configuration with **group** *queue-group-name* specified:

```
*A:Dut-T>config>qos>sap-ingress# info
```

```

queue 1 create
exit
queue 11 multipoint create
exit
fc "af" create
 queue 2 group "QG_ingress_1"
exit
fc "be" create
 queue 1 group "QG_ingress_1"
exit
fc "ef" create
 queue 3 group "QG_ingress_1"
exit
fc "nc" create
 queue 4 group "QG_ingress_1"
exit
dot1p 0 fc "be"
dot1p 2 fc "af"
dot1p 4 fc "ef"
dot1p 6 fc "nc"

*A:Dut-T>config>qos>sap-ingress#

```

## Applying Egress Queue Group to SAP Egress Policy

The following display a SAP egress policy configuration with **group** *queue-group-name* specified:

```

A:Dut-T>config>qos>sap-egress# info

queue 1 create
exit
fc af create
 queue 2 group "QG_egress_1"
exit
fc be create
 queue 1 group "QG_egress_1"
exit
fc ef create
 queue 3 group "QG_egress_1"
exit
fc nc create
 queue 4 group "QG_egress_1"
exit

A:Dut-T>config>qos>sap-egress#

```

## SAP-based Egress Queue Re-direction

The following displays a SAP egress policy configuration with port-redirect-group-queue construct (shown for both regular and HS-MDA egress queues) and the actual queue-group-name is determined by the SAP egress QoS configuration:

```
*A:Dut-A# configure qos sap-egress 3
*A:Dut-A>config>qos>sap-egress# info

queue 1 create
exit
queue 2 create
exit
policer 8 create
 rate 50000
exit
fc af create
 queue 3 port-redirect-group-queue
 hsmda
 queue 3 port-redirect-group-queue
 exit
exit
fc be create
 queue 3 port-redirect-group-queue
 hsmda
 queue 3 port-redirect-group-queue
 exit
exit
fc ef create
 policer 8 port-redirect-group-queue
 hsmda
 queue 3 port-redirect-group-queue
 exit
exit
fc h1 create
 queue 3 port-redirect-group-queue
 hsmda
 queue 3 port-redirect-group-queue
 exit
exit
fc h2 create
 queue 3 port-redirect-group-queue
 hsmda
 queue 3 port-redirect-group-queue
 exit
exit
fc l1 create
 queue 3 port-redirect-group-queue
 hsmda
 queue 3 port-redirect-group-queue
 exit
exit
fc l2 create
 queue 3 port-redirect-group-queue
 hsmda
 queue 3 port-redirect-group-queue
```

```

 exit
 exit
 fc nc create
 queue 3 port-redirect-group-queue
 hsmda
 queue 3 port-redirect-group-queue
 exit
 exit
exit

```

-----

This is to be in-conjunction with:

```

*A:Dut-A# configure service vpls 1
*A:Dut-A>config>service>vpls# info

 stp
 shutdown
 exit
 sap 9/1/2:1 create
 egress
 qos 3 port-redirect-group qg1 instance 101
 exit
 exit
exit

```

## Configuring Queue Group on Ethernet Access Ingress Port

The provisioning steps involved in using a queue-group queue on an ingress port are:

- Queue Group Template Creation
  - Create the queue group template in the ingress context
  - Create the queue within the queue group template
- Queue Group Creation
  - Identify the ingress port (or ports) for which the queue group will be needed (for LAG use the primary port member)
  - Create a queue group with the same name as the template on the port or ports
- Map a Forwarding Class to the queue-id within the queue group
  - Map forwarding classes to queue-group queues.
  - Identify or create the SAP ingress QoS policy that will be used on the ingress SAP where queue redirection is desired
  - Map the desired forwarding classes to the queue group name and the specific queue ID within the group
- Apply the SAP ingress QoS policy
  - Identify or create the ingress SAP requiring forwarding class redirection to the queue group

## Basic Configurations

→ Assign the QoS policy to the SAP

The following displays an Ethernet access ingress port queue-group configuration example:

```
*A:Dut-T>config>port# /configure port 9/2/1
*A:Dut-T>config>port# info

 ethernet
 mode access
 access
 ingress
 queue-group "QG_ingress_1" create
 exit
 exit
 egress
 queue-group "QG_egress_1" create
 exit
 exit
 exit
 exit
no shutdown

*A:Dut-T>config>port#

*A:Dut-T>config>port# /configure port 9/2/2
*A:Dut-T>config>port# info

 ethernet
 mode access
 access
 ingress
 queue-group "QG_ingress_1" create
 exit
 exit
 egress
 queue-group "QG_egress_1" create
 exit
 exit
 exit
 exit
no shutdown

*A:Dut-T>config>port#
```

## Configuring Overrides

The following output display a port queue group queue override example.

```
*A:Dut-T>config>port>ethernet>access# /configure port 9/2/1
*A:Dut-T>config>port# info

 ethernet
 mode access
 access
```



```

 ingress
 queue-group "QG_ingress_1" create
 queue-overrides
 queue 2 create
 rate 800000 cir 20000
 exit
 exit
 exit
exit
egress
 queue-group "QG_egress_1" create
 exit
exit
exit
no shutdown

*A:Dut-T>config>port# /configure port 9/2/2
*A:Dut-T>config>port# info

 ethernet
 mode access
 access
 ingress
 queue-group "QG_ingress_1" create
 exit
 exit
 egress
 queue-group "QG_egress_1" create
 queue-overrides
 queue 3 create
 rate 1500000 cir 2000
 exit
 exit
 exit
 exit
 exit
 no shutdown

*A:Dut-T>config>port#

```

## Configuring Queue Group on Ethernet Access Egress Port

The provisioning steps involved in using a queue-group queue on an egress access port are:

- Queue Group Template Creation
  - Create the queue group template in the egress context
  - Create the queue within the queue group template
- Queue Group Creation

## Basic Configurations

- Identify which egress port (or ports) on which the queue group will be needed (for LAG use the primary port member)
- Create a queue group instance with the same name as the template on the port or ports
- From this point, there are two methods for regular Ethernet based SAPs to have port access egress re-direction. a). Policy based re-direction and, b). SAP based re-direction. For Policy based redirection:
  - Map a Forwarding Class to the queue-id within the queue group
    - Identify or create the SAP egress QoS policy that will be used on the egress SAP where policy-based queue re-direction is desired
    - Map the desired forwarding classes to the queue group name and the specific queue ID within the group with the “group” keyword
- Apply the SAP egress QoS policy
  - Identify or create the egress SAP requiring forwarding class redirection to the queue group
  - Assign the QoS policy to the SAP
- For SAP based redirection:
  - Map a Forwarding Class to the queue-id within the queue group
    - Identify or create the SAP egress QoS policy that will be used on the egress SAP where SAP-based queue re-direction redirection is desired
    - Map the desired forwarding classes to the queue group specific queue-id, and the keyword "port-redirect-group-queue". The actual queue-group template name is determined by the sap instance's configuration which associated the sap-egress qos policy in conjunction with the port-redirect-group's instance.
- Apply the SAP egress QoS policy and the queue-group template's instance under the SAP.
  - Identify or create the egress SAP requiring forwarding class redirection to the queue group
  - Assign the QoS policy and the egress queue-group template's instance to the SAP.

## Configuring Queue Group for Network Egress Traffic on Port

The provisioning steps involved in using a queue-group queue on an egress network port are:

- Queue Group Template Creation:
  - Create the egress queue group template.

- Create the queues and/or policers within the queue group template.
- Queue Group Creation:
  - Identify the egress port (or ports) on which the queue group will be needed (for LAG use the primary port member).
  - Create a queue group with the same name as the template on the port or ports. The instance ID is optional.
- Map a Forwarding Class to the queue-id within the queue group:
  - Identify or create the network QoS policy that will be used on the egress IP interface where queue redirection is desired.
  - Map the desired egress forwarding classes within the network QoS policy to the specific queue IDs and/or policer IDs within the group (the group name will be supplied when the QoS policy is applied to the IP interface).
- Apply the network QoS policy:
  - Identify or create the IP interface requiring forwarding class redirection to the queue group.
  - Assign the QoS policy to the IP interface and specify the queue group name (and optionally instance ID) for redirection of egress traffic.

Once a queue within a template is mapped by a forwarding class on any object, the queue may be edited, but not deleted.

## Configuring Queue Group for Network Ingress Traffic on Forwarding Plane

The provisioning steps involved in using a queue-group for ingress traffic on a network interface are:

- Queue Group Template Creation:
  - Create the ingress queue group template.
  - Create the policers within the queue group template.
- Queue Group Creation:
  - Identify the ingress forwarding plane on which the queue group will be needed.
  - Create a queue group with the same name as the template in the FP ingress network configuration context. An instance ID is mandatory.
- Map a Forwarding Class to the policer-id within the queue group:
  - Identify or create the network QoS policy that will be used on the ingress IP interface where queue redirection is desired.

## Basic Configurations

- Map the desired ingress forwarding classes within the network QoS policy to the specific policer IDs within the group (the group name will be supplied when the QoS policy is applied to the IP interface).
- Apply the network QoS policy:
  - Identify or create the IP interface requiring forwarding class redirection to the queue group.
  - Assign the QoS policy to the IP interface and specify the queue group name and instance ID for redirection of ingress traffic.

## Using Queue Groups to Police Ingress/Egress Traffic on Network Interface

```
config
 qos
 queue-group-templates
 ingress
 queue-group "Ingress_QG_1" create
 policer 2 create
 rate 9000
 exit
 exit
 exit
 egress
 queue-group "Egress_QG_1" create
 queue 1 best-effort create
 exit
 policer 2 create
 rate 9000
 exit
 exit
exit

network 2 create
 ingress
 fc be
 fp-redirect-group policer 2
 exit
 egress
 fc be
 port-redirect-group policer 2
 exit
exit

card 1
 card-type xcm-x20
 mda 1
 mda-type cx20-10g-sfp
 no shutdown
 exit
```

```

fp 1
 ingress
 network
 queue-group "Ingress_QG_1" instance 550 create
 exit
 exit
exit
no shutdown

port 1/1/3
 ethernet
 mtu 1514
 network
 egress
 queue-group "Egress_QG_1" instance 550 create
 exit
 exit
 exit
no shutdown
exit

router
 interface "to-D"
 address 10.10.11.3/24
 port 1/1/3
 qos 2 egress-port-redirect-group "Egress_QG_1" egress-instance
 550 ingress-fp-redirect-group "Ingress_QG_1" ingress-instance
 550
 no shutdown

```

## Configuring Ingress/Egress PW Shaping Using Spoke-SDP Forwarding Class-Based Redirection

```

configure
#-----
echo "QoS Policy Configuration"
#-----
qos
 queue-group-templates
 ingress
 queue-group "QGIng1" create
 policer 1 create
 exit
 policer 2 create
 exit
 policer 3 create
 exit
 policer 4 create
 exit

```

## Basic Configurations

```
 exit
 exit
 egress
 queue-group "QGEgr1" create
 queue 1 best-effort create
 exit
 policer 1 create
 exit
 policer 2 create
 exit
 policer 3 create
 exit
 policer 4 create
 exit
 exit
 exit
 exit
 exit
 network 10 create
 ingress
 lsp-exp 0 fc be profile out
 lsp-exp 1 fc be profile out
 lsp-exp 2 fc be profile out
 lsp-exp 3 fc be profile out
 lsp-exp 4 fc be profile out
 lsp-exp 5 fc be profile out
 lsp-exp 6 fc be profile out
 lsp-exp 7 fc be profile out
 fc af
 fp-redirect-group policer 4
 exit
 fc be
 fp-redirect-group policer 1
 exit
 fc l1
 fp-redirect-group policer 2
 exit
 fc l2
 fp-redirect-group policer 3
 exit
 exit
 egress
 fc af
 port-redirect-group policer 4
 exit
 fc be
 port-redirect-group policer 1
 exit
 fc l1
 port-redirect-group policer 2
 exit
 fc l2
 port-redirect-group policer 3
 exit
 exit
 exit
 exit
#-----
echo "Card Configuration"
```

```

#-----
card 3
 fp 1
 ingress
 network
 queue-group "QGIng1" instance 1 create
 exit
 queue-group "QGIng1" instance 2 create
 exit
 exit
 exit
 exit
exit
#-----
echo "Port Configuration"
#-----
port 3/2/1
 ethernet
 encap-type dot1q
 network
 egress
 queue-group "QGEgr1" instance 1 create
 exit
 queue-group "QGEgr1" instance 2 create
 exit
 exit
 exit
 exit
no shutdown

*A:Dut-T>config>service#
customer 1 create
 description "Default customer"
exit
sdp 1 mpls create
 description "Default sdp description"
 far-end 2.2.2.2
 ldp
 path-mtu 9000
 keep-alive
 shutdown
exit
no shutdown
exit
vpls 1 customer 1 vpn 1 create
 description "Default tls description for service id 1"
 service-mtu 9000
 stp
 shutdown
 exit
 service-name "XYZ Vpls 1"
 sap 9/2/1:1.* create
 description "Default sap description for service id 1"
 static-mac 00:00:1e:00:01:02 create
 ingress
 qos 10
 exit
exit

```

## Basic Configurations

```
spoke-sdp 1:101 vc-type vlan create
 description "Description for Sdp Bind 1 for Svc ID 1"
 ingress
 qos 10 fp-redirect-group "QGIng1" instance 1
 exit
 egress
 qos 10 port-redirect-group "QGEgr1" instance 1
 exit
 static-mac 00:00:28:00:01:02 create
 no shutdown
exit
no shutdown
exit

router
 interface "ip-12.1.1.1"
 address 12.1.1.1/24
 port 3/2/1:1
 exit
 interface "system"
 address 1.1.1.1/32
 exit
#-----
```

## Specifying QoS Policies on Service SAPs

The following output displays a VPLS service configuration example.

```
*A:Dut-T>config>service>vpls# info

 stp
 shutdown
 exit
 sap 9/2/1 create
 ingress
 qos 10
 exit
 egress
 qos 10
 exit
 exit
 sap 9/2/2 create
 ingress
 qos 10
 exit
 egress
 qos 10
 exit
 exit
 no shutdown

*A:Dut-T>config>service>vpls#
```



# QoS Queue Group Template Command Reference

## Command Hierarchies

- [Configuring Egress Queue Group Templates](#)
- [Configuring Ingress Queue Group Templates](#)
- [Show Commands](#)
- [Monitor Commands](#)

## Configuring Egress Queue Group Templates

```

config
 — qos
 — queue-group-templates
 — egress
 — queue-group queue-group-name [create]
 — no queue-group queue-group-name
 — description description-string
 — no description
 — policer policer-id [create]
 — no policer policer-id
 — adaptation-rule pir {max | min | closest;} [cir {max | min |
 closest}]
 — no adaptation-rule
 — adv-config-policy policy-name
 — no adv-config-policy
 — cbs {size [bytes | kilobytes] | default}
 — no cbs
 — description description-string
 — no description
 — [no] enable-exceed-pir
 — high-prio-only percent-of-mbs
 — no high-prio-only
 — mbs {size [bytes | kilobytes] | default}
 — no mbs
 — packet-byte-offset {add bytes | subtract bytes}
 — no packet-byte-offset
 — parent {root | arbiter-name} [level level] [weight weight-
 within-level]
 — no parent
 — no profile-capped
 — rate {max | kilobits-per-second} [cir {max | kilobits-per-
 second}]
 — no rate

```

## QoS Queue Group Template Command Reference

- **stat-mode** {no-stats | minimal | offered-profile-no-cir | offered-priority-no-cir | offered-limited-profile-cir | offered-profile-cir | offered-priority-cir | offered-total-cir | offered-profile-capped-cir | offered-limited-capped-cir}
- **no stat-mode**
- **queue** *queue-id* [*queue-type*] [create]
- **no queue** *queue-id*
  - **adaptation-rule** [pir *adaptation-rule*] [cir *adaptation-rule*]
  - **no adaptation-rule**
  - **adv-config-policy** *adv-config-policy-name*
  - **no adv-config-policy**
  - **burst-limit**
  - **no burst-limit**
  - **burst-limit** *size-in-kbytes*
  - **no burst-limit**
  - **cbs** *size-in-kbytes*
  - **no cbs**
  - [no] **dynamic-mbs**
  - **hi-low-prio-only** *percent*
  - **no hi-low-prio-only**
  - **high-prio-only** *percent*
  - **no high-prio-only**
  - **mbs** *size* [bytes | kilobytes]
  - **no mbs**
  - **parent** *scheduler-name* [weight *weight*] [level *level*] [cir-weight *cir-weight*] [cir-level *cir-level*]
  - **no parent**
  - **packet-byte-offset** {add *bytes* | subtract *bytes*}
  - **no packet-byte-offset**
  - **percent-rate** *per-percent* [cir *cir-percent*]
  - **no percent-rate**
  - **pool** *pool-name*
  - **no pool**
  - **port-parent** [weight *weight*] [level *level*] [cir-weight *cir-weight*] [cir-level *cir-level*]
  - **no port-parent**
  - **queue-delay** *delay*
  - **no queue-delay**
  - **rate** *pir-rate* [cir *cir-rate*]
  - **no rate**

## Configuring Ingress Queue Group Templates

- config
  - qos
    - **queue-group-templates**
      - **ingress**
        - **description** *description-string*
        - **no description**
        - **queue-group** *queue-group-name* [create]

- **no queue-group** *queue-group-name*
  - **policer** *policer-id* [**create**]
  - [**no**] **policer**
    - **adaptation-rule** [**pir** {**max** | **min** | **closest**}] [**cir** {**max** | **min** | **closest**}]
    - **no adaptation-rule**
    - **cbs** {*size* [**bytes** | **kilobytes**] | **default**}
    - **no cbs**
    - **description** *description string*
    - **no description**
    - **high-prio-only** *percent-of-mbs*
    - **no high-prio-only**
    - **mbs** {*size* [**bytes** | **kilobytes**] | **default**}
    - **no mbs**
    - **packet-byte-offset** {**add** *bytes* | **subtract** *bytes*}
    - **no packet-byte-offset**
    - **parent** {**root** | *arbiter-name*} [**level** *level*] [**weight** *weight-within-level*]
    - **no parent**
    - **rate** {**max** | *kilobits-per-second*} [**cir** {**max** | *kilobits-per-second*}]
    - **no rate**
    - **stat-mode** {**no-stats** | **minimal** | **offered-profile-no-cir** | **offered-profile-cir** | **offered-total-cir**}
    - **no stat-mode**
- **queue** *queue-id* [**multipoint**] [*queue-type*] [*queue-mode*] [**create**]
- **no queue** *queue-id*
  - **adaptation-rule** [**pir** *adaptation-rule*] [**cir** *adaptation-rule*]
  - **no adaptation-rule**
  - **burst-limit**
  - **no burst-limit**
  - **burst-limit** *size-in-kbytes*
  - **no burst-limit**
  - **cbs** *size-in-kbytes*
  - **no cbs**
  - **high-prio-only** *percent*
  - **no high-prio-only**
  - **mbs** *size-in-kbytes*
  - **no mbs**
  - **packet-byte-offset** {**add** *bytes* | **subtract** *bytes*}
  - **no packet-byte-offset**
  - **parent** *scheduler-name* [**weight** *weight*] [**level** *level*] [**cir-weight** *cir-weight*] [**cir-level** *cir-level*]
  - **no parent**
  - **pool** *pool-name*
  - **no pool**
  - **rate** *pir-rate* [**cir** *cir-rate*]
  - **rate** *pir-rate* **police**
  - **no rate**

## Show Commands

```

show
 — qos
 — queue-group [queue-group-name] [ingress | egress] [association | detail]
 — queue-group summary
 — sap-egress [policy-id] [association | match-criteria| hsmda | detail]
 — sap-ingress [policy-id] [association | match-criteria| hsmda | detail]

show
 — pools mda-id[/port] [access-app [pool-name | service service-id | queue-group queue-group-name]]
 — pools mda-id[/port] [network-app [pool-name | queue-group queue-group-name]]
 — pools mda-id[/port] [direction [pool-name | service service-id | queue-group queue-group-name]]
 — port port-id queue-group [ingress | egress] [queue-group-name] [{statistics | associations}]

```

## Monitor Commands

For more information about monitor commands, refer to the Basic System Configuration Guide for command usage and CLI syntax.

```

monitor
 — card slot-number fp fp-number ingress {access | network} queue-group queue-group-name instance
 instance-id [interval seconds] [repeat repeat] policer policer-id [absolute | percent-rate | reference-
 rate]
 — qos
 — arbiter-stats
 — card slot-number fp fp-number queue-group queue-group-name instance instance-id
 [ingress] [access | networks] [interval seconds] [repeat repeat] [absolute | rate]
 [arbiter root | name]
 — port port-id egress network queue-group queue-group-name instance instance-id
 [interval seconds] [repeat repeat] [absolute | rate] [arbiter root | name]
 — scheduler-stats
 — port port-id queue-group queue-group-name [ingress | egress] [interval seconds]
 [repeat repeat] [absolute | rate] [access | network] [instance instance-id]

```

## Command Descriptions

### Configuration Commands

#### Generic Commands

##### description

|                    |                                                                                                                                                                                                                                                                                                                                         |
|--------------------|-----------------------------------------------------------------------------------------------------------------------------------------------------------------------------------------------------------------------------------------------------------------------------------------------------------------------------------------|
| <b>Syntax</b>      | <b>description</b> <i>description-string</i><br><b>no description</b>                                                                                                                                                                                                                                                                   |
| <b>Context</b>     | cfg>qos>qgrps>egr>qgrp<br>cfg>qos>qgrps>ing>qgrp<br>cfg>qos>qgrps>ing>qgrp>policer                                                                                                                                                                                                                                                      |
| <b>Description</b> | This command creates a text description stored in the configuration file for a configuration context. The <b>description</b> command associates a text string with a configuration context to help identify the content in the configuration file.<br><br>The <b>no</b> form of this command removes the string from the configuration. |
| <b>Default</b>     | none                                                                                                                                                                                                                                                                                                                                    |
| <b>Parameters</b>  | <i>description-string</i> — The description character string. Allowed values are any string up to 80 characters long composed of printable, 7-bit ASCII characters. If the string contains special characters (#, \$, spaces, etc.), the entire string must be enclosed within double quotes.                                           |

#### Queue Group Commands

##### queue-group-templates

|                    |                                                                                      |
|--------------------|--------------------------------------------------------------------------------------|
| <b>Syntax</b>      | <b>queue-group-templates</b>                                                         |
| <b>Context</b>     | config>qos                                                                           |
| <b>Description</b> | This command enables the context to define ingress and egress queue group templates. |
| <b>Default</b>     | none                                                                                 |

## QoS Queue Group Template Command Reference

### egress

|                    |                                                                                                                                                                              |
|--------------------|------------------------------------------------------------------------------------------------------------------------------------------------------------------------------|
| <b>Syntax</b>      | <b>egress</b>                                                                                                                                                                |
| <b>Context</b>     | cfg>qos>qgrps                                                                                                                                                                |
| <b>Description</b> | This command enables the context to configure QoS egress queue groups. Egress queue group templates can be applied to egress Ethernet ports to create an egress queue group. |
| <b>Default</b>     | none                                                                                                                                                                         |

### queue-group

|                    |                                                                                                                                                                                                                                                                                                                                                                                                                                                                                                                                                                                                                                                                                                                                                                                                                                                                                            |
|--------------------|--------------------------------------------------------------------------------------------------------------------------------------------------------------------------------------------------------------------------------------------------------------------------------------------------------------------------------------------------------------------------------------------------------------------------------------------------------------------------------------------------------------------------------------------------------------------------------------------------------------------------------------------------------------------------------------------------------------------------------------------------------------------------------------------------------------------------------------------------------------------------------------------|
| <b>Syntax</b>      | <b>queue-group</b> <i>queue-group-name</i> [ <b>create</b> ]<br><b>no queue-group</b> <i>queue-group-name</i>                                                                                                                                                                                                                                                                                                                                                                                                                                                                                                                                                                                                                                                                                                                                                                              |
| <b>Context</b>     | cfg>qos>qgrps>egr<br>cfg>qos>qgrps>ingr                                                                                                                                                                                                                                                                                                                                                                                                                                                                                                                                                                                                                                                                                                                                                                                                                                                    |
| <b>Description</b> | <p>This command creates a queue group template. The system does not maintain default queue groups or queue group templates. Each queue group template used in the system must be explicitly created.</p> <p>The <i>queue-group-name</i> parameter is required when executing the queue-group command and identifies the name of the template to be either created or edited. Each ingress queue group template must be uniquely named within the system. Multiple ingress queue group templates may not share the same name. An ingress and egress queue group template may share the same name.</p> <p>The <b>no</b> form of the command removes the specified queue group template from the system. If the queue group template is currently in use by an ingress port, the command will fail. If group-name does not exist, the command has no effect and does not return an error.</p> |
| <b>Default</b>     | none                                                                                                                                                                                                                                                                                                                                                                                                                                                                                                                                                                                                                                                                                                                                                                                                                                                                                       |
| <b>Parameters</b>  | <p><i>queue-group-name</i> — Specifies the name of the queue group template up to 32 characters in length.</p> <p><b>create</b> — Keyword used to create the queue group instance. The <b>create</b> keyword requirement can be enabled/disabled in the <b>environment&gt;create</b> context.</p>                                                                                                                                                                                                                                                                                                                                                                                                                                                                                                                                                                                          |

### policer

|                    |                                                                                                             |
|--------------------|-------------------------------------------------------------------------------------------------------------|
| <b>Syntax</b>      | <b>policer</b> <i>policer-id</i> [ <b>create</b> ]<br><b>no policer</b> <i>policer-id</i>                   |
| <b>Context</b>     | config>qos>queue-group-templates>ingress>queue-group<br>config>qos>queue-group-templates>egress>queue-group |
| <b>Description</b> | This command is used in ingress and egress queue-group templates to create, modify, or delete a policer.    |

Policers are created and used in a similar manner to queues. The policer ID space is separate from the queue ID space, allowing both a queue and a policer to share the same ID. The ingress queue-group template may have up to 32 policers (numbered 1 through 32) and may be defined, while the egress queue-group template supports a maximum of 8 (numbered 1 through 8). While a policer may be defined in a queue-group template, it is not actually created until the queue-group template is instantiated on the ingress context of a forwarding plane or on the egress context of a port.

Once a policer is created, the policer's metering rate and profiling rates may be defined, as well as the policer's maximum and committed burst sizes (MBS and CBS respectively). Unlike queues that have dedicated counters, policers allow various stat-mode settings which define the counters that will be associated with the policer. Another supported feature—packet-byte-offset—provides a policer with the ability to modify the size of each packet based on a defined number of bytes.

Once a policer is created, it cannot be deleted from the queue-group template unless any forwarding classes that are redirected to the policer are first removed.

The **no** version of this command deletes the policer.

**Parameters** *policer-id* — The *policer-id* must be specified when executing the policer command. If the specified ID already exists, the system enters that policer's context to allow the policer's parameters to be modified. If the ID does not exist and is within the allowed range for the QoS policy type, a context for the policer ID will be created (depending on the system's current create keyword requirements which may require the create keyword to actually add the new policer ID to the QoS policy) and the system will enter that new policer's context for possible parameter modification.

**Values** 1 to 32 ingress  
1 to 8 egress

## fc

**Syntax** **fc** *fc-name* [**create**]  
**no fc** *fc-name*

**Context** config qos>queue-group-templates>egress>queue-group-template

**Description** The **fc** command is used to enter the forwarding class mapping context for the given *fc-name*. Each forwarding class has a default mapping depending on the egress queue group template. The system created policer-output-queue template contains queues 1 and 2 by default with queue 1 being best-effort and queue 2 expedited. Forwarding classes be, l1, af and l2 all map to queue 1 by default. Forwarding classes h1, ef, h2 and nc all map to queue 2 by default. More queues may be created within the policer-output-queues template and the default forwarding classes may be changed to any defined queue within the template.

When all other user defined egress queue group templates are created, only queue 1 (best-effort) exists and all forwarding classes are mapped to that queue. Other queues may be created and the forwarding classes may be changed to any defined queue within the template.

## QoS Queue Group Template Command Reference

Besides the default mappings within the templates, the egress queue group template forwarding class queue mappings operate the same as the forwarding class mappings in a sap-egress QoS policy.

The template forwarding class mappings are the default mechanism for mapping egress policed traffic to a queue within an egress port queue group associated with the template. If a queue-id is explicitly specified in the QoS policy forwarding class policer mapping, and that queue exists within the queue group, the template forwarding class mapping is ignored.

On the 7450 ESS and 7750 SR, egress policed subscriber traffic works in a slightly different way. The subscriber and subscriber host support destination and organization strings which when exist are used to identify the egress port queue group. In this instance, the forwarding class mappings are always used and any queue overrides in the QoS policy are ignored. If neither string exists for the subscriber host, the egress queue group queue-id can be derived from either the QoS policy policer mapping or the template forwarding class queue mappings.

The **no** form of this command is used to return the specified forwarding class to its default template queue mapping.

**Parameters** *fc-name* — A valid forwarding class must be specified as *fc-name* when the **fc** command is executed. When the **fc fc-name** command is successfully executed, the system will enter the specified forwarding class context where the **queue queue-id** command may be executed.

**Values** **be, l1, af, l2, h1, ef, h2** or **nc**

**Default** None

## policer

**Syntax** **policer** *policer-id*  
**no policer**

**Context** config>qos>queue-group-templates>ingress>queue-group  
config>qos>queue-group-templates>egress>queue-group

**Description** This command is used in ingress and egress queue-group templates to create, modify or delete a policer.

Policers are created and used in a similar manner to queues. The policer ID space is separate from the queue ID space, allowing both a queue and a policer to share the same ID. The ingress queue-group template may have up to 32 policers (numbered 1 through 32) may be defined while the egress queue-group template supports a maximum of 8 (numbered 1 through 8). While a policer may be defined in a queue-group template, it is not actually created until the queue-group template is instantiated on ingress context of a forwarding plane or on the egress context of a port.

Once a policer is created, the policer's metering rate and profiling rates may be defined as well as the policer's maximum and committed burst sizes (MBS and CBS respectively). Unlike queues which have dedicated counters, policers allow various stat-mode settings that define the counters that will be associated with the policer. Another supported feature—*packet-byte-offset*—provides a policer with the ability to modify the size of each packet based on a defined number of bytes.



Once a policer is created, it cannot be deleted from the queue-group template unless any forwarding classes that are redirected to the policer are first removed.

The **no** form of this command deletes the policer.

- Parameters** *policer-id* — The policer-id must be specified when executing the policer command. If the specified ID already exists, the system enters that policer's context to allow the policer's parameters to be modified. If the ID does not exist and is within the allowed range for the QoS policy type, a context for the policer ID will be created (depending on the system's current create keyword requirements which may require the create keyword to actually add the new policer ID to the QoS policy) and the system will enter that new policer's context for possible parameter modification.
- Values** 1 to 32 ingress  
1 to 8 egress

## port-redirect-group

- Syntax** **port-redirect-group** {**queue** *queue-id* | **policer** *policer-id* [**queue** *queue-id*]}  
**no port-redirect-group**
- Context** config>qos>network>egress>fc
- Description** This command is used to redirect the FC of a packet of a PW or network IP interface to an egress port queue-group.
- It defines the mapping of a FC to a queue-id or a policer-id and a queue-id and redirects the lookup of the queue or policer of the same ID in some egress port queue-group instance. However, the queue-group name and instance are explicitly provided only at the time the network QoS policy is applied to egress context of a spoke-sdp or a network IP interface.
- The no version of this command removes the redirection of the FC.
- Parameters** **queue** *queue-id* — The specified queue-id must exist within the queue-group template applied to the egress context of the port.
- Values** 1 to 8
- policer** *policer-id* — The specified policer-id must exist within the queue-group template applied to the egress context of the port
- Values** 1 to 8

## fp-redirect-group

- Syntax** **fp-redirect-group** **policer** *policer-id*  
**no fp-redirect-group policer**
- Context** config>qos>network>ingress>fc

## QoS Queue Group Template Command Reference

- Description** This command is used to redirect the FC of a packet of a pseudowire or network IP interface to an ingress forwarding plane queue-group.
- It defines the mapping of a FC to a policer-id and redirects the lookup of the policer of the same ID in some ingress forwarding plane queue-group instance. However, the queue-group name and instance are explicitly provided only at the time the network QoS policy is applied to the ingress context of a spoke-sdp or a network IP interface.
- The **no** version of this command removes the redirection of the FC.
- Parameters** **policer** *policer-id* — The specified policer-id must exist within the queue-group template applied to the ingress context of the forwarding plane
- Values** 1 to 8

### fp-redirect-group

- Syntax** **fp-redirect-group multicast-policer** *policer-id*  
**no fp-redirect-group multicast-policer**
- Context** config>qos>network>ingress>fc
- Description** This command is used to redirect the FC of a multicast packet of a pseudowire or network IP interface to an ingress forwarding plane queue-group.
- It defines the mapping of a FC to a policer-id and redirects the lookup of the policer of the same ID in some ingress forwarding plane queue-group instance. However, the queue-group name and instance are explicitly provided only at the time the network QoS policy is applied to the ingress context of a spoke-sdp or a network IP interface.
- The no version of this command removes the redirection of the FC.
- Parameters** **multicast-policer** *policer-id* — The specified policer-id must exist within the queue-group template applied to the ingress context of the forwarding plane
- Values** 1 to 32

### queue

- Syntax** **queue** *queue-id* [*queue-type*] [**create**]  
**no queue** *queue-id*
- Context** cfg>qos>qgrps>egr>qgrp

**Description** This command creates a queue for use in a queue group template. Once created, the defined queue-id acts as a repository for the default parameters for the queue. The template queue is created on each queue-group object which is created with the queue group template name. Each queue is identified within the template by a queue-id number. The template ensures that all queue groups created with the template name will have the same queue-ids providing a uniform structure for the forwarding class redirection commands in the SAP egress QoS policies. The parameters within the template queue will be used as the default settings for each queue in the actual queue group. The queue parameters may be individually changed for each queue in each queue group using per queue overrides.

The **no** form of the command

**Default** none

## adaptation-rule

**Syntax** **adaptation-rule** [**pir** *adaptation-rule*] [**cir** *adaptation-rule*]  
**no adaptation-rule**

**Context** config>qos>qgrp>egr>qgrp>queue  
config>qos>qgrp>ing>qgrp>queue  
config>qos>qgrp>ing>qgrp>policer

**Description** This command defines the method used by the system to derive the operational CIR and PIR settings when the queue is provisioned in hardware. For the CIR and PIR parameters individually, the system attempts to find the best operational rate depending on the defined constraint.

The **no** form of the command removes any explicitly defined constraints used to derive the operational CIR and PIR created by the application of the policy. When a specific **adaptation-rule** is removed, the default constraints for **rate** and **cir** apply.

**Default** adaptation-rule pir closest cir closest

**Parameters** **pir** — Defines the constraints enforced when adapting the PIR rate defined within the **queue queue-id rate** command. The **pir** parameter requires a qualifier that defines the constraint used when deriving the operational PIR for the queue. When the **rate** command is not specified, the default applies.

**cir** — Defines the constraints enforced when adapting the CIR rate defined within the **queue queue-id rate** command. The **cir** parameter requires a qualifier that defines the constraint used when deriving the operational CIR for the queue. When the **cir** parameter is not specified, the default constraint applies.

*adaptation-rule* — Specifies the adaptation rule to be used while computing the operational CIR or PIR value.

**Values** **max** — The **max** (maximum) option is mutually exclusive with the **min** and **closest** options. When **max** is defined, the operational PIR for the queue will be equal to or less than the administrative rate specified using the **rate** command.

## QoS Queue Group Template Command Reference

**min** — The **min** (minimum) option is mutually exclusive with the **max** and **closest** options. When **min** is defined, the operational PIR for the queue will be equal to or greater than the administrative rate specified using the **rate** command.

**closest** — The **closest** parameter is mutually exclusive with the **min** and **max** parameter. When **closest** is defined, the operational PIR for the queue will be the rate closest to the rate specified using the **rate** command.

### adv-config-policy

|                    |                                                                                                                    |
|--------------------|--------------------------------------------------------------------------------------------------------------------|
| <b>Syntax</b>      | <b>adv-config-policy</b> <i>adv-config-policy-name</i><br><b>no adv-config-policy</b>                              |
| <b>Context</b>     | config>qos>qgrp>egress>qgrp>policer<br>config>qos>qgrp>ingress>qgrp>policer                                        |
| <b>Description</b> | This command specifies the name of the advanced configuration policy to be applied with this policer.              |
| <b>Parameters</b>  | <i>adv-config-policy-name</i> — Specifies an existing advanced configuration policy up to 32 characters in length. |

### burst-limit

|                    |                                                                                                                                                                                                                                                                                                                                                                                                                                                                                                                                                                                                                                                                                                                                                                                                                                                                  |
|--------------------|------------------------------------------------------------------------------------------------------------------------------------------------------------------------------------------------------------------------------------------------------------------------------------------------------------------------------------------------------------------------------------------------------------------------------------------------------------------------------------------------------------------------------------------------------------------------------------------------------------------------------------------------------------------------------------------------------------------------------------------------------------------------------------------------------------------------------------------------------------------|
| <b>Syntax</b>      | <b>burst-limit</b> { <b>default</b>   <i>size</i> [ <b>bytes</b>   <b>kilobytes</b> ]}<br><b>no burst-limit</b>                                                                                                                                                                                                                                                                                                                                                                                                                                                                                                                                                                                                                                                                                                                                                  |
| <b>Context</b>     | config>qos>qgrps>egr>qgrp>queue<br>config>qos>qgrp>ing>qgrp>queue                                                                                                                                                                                                                                                                                                                                                                                                                                                                                                                                                                                                                                                                                                                                                                                                |
| <b>Description</b> | <p>The queue burst-limit command is used to define an explicit shaping burst size for a queue. The configured size defines the shaping leaky bucket threshold level that indicates the maximum burst over the queue's shaping rate.</p> <p>The burst-limit command is supported under the sap-ingress and sap-egress QoS policy queues. The command is also supported under the ingress and egress queue-group-templates queues.</p> <p>The <b>no</b> form of this command is used to restore the default burst limit to the specified queue. This is equivalent to specifying burst-limit default within the QoS policies or queue group templates. When specified within a queue-override queue context, any current burst limit override for the queue will be removed and the queue's burst limit will be controlled by its defining policy or template.</p> |
| <b>Parameters</b>  | <b>default</b> — The default parameter is mutually exclusive to specifying an explicit size value. When burst-limit default is executed, the queue is returned to the system default value.                                                                                                                                                                                                                                                                                                                                                                                                                                                                                                                                                                                                                                                                      |

*size* — When a numeric value is specified (*size*), the system interprets the value as an explicit burst limit size. The value is expressed as an integer and by default is interpreted as the burst limit in Kilobytes. If the value is intended to be interpreted in bytes, the byte qualifier must be added following *size*.

**Values** 1 to 14,000 (14,000 or 14,000,000 depending on bytes or kilobytes)

**Default** No default for *size*, use the default keyword to specify default burst limit

**bytes** — The **bytes** qualifier is used to specify that the value given for *size* must be interpreted as the burst limit in bytes. The byte qualifier is optional and mutually exclusive with the kilobytes qualifier.

**kilobytes** — The **kilobytes** qualifier is used to specify that the value given for *size* must be interpreted as the burst limit in Kilobytes. The kilobyte qualifier is optional and mutually exclusive with the bytes qualifier. If neither bytes nor kilobytes is specified, the default qualifier is kilobytes.

## cbs

**Syntax** **cbs** *size-in-kbytes*  
**no cbs**

**Context** config>qos>qgrps>egr>qgrp>queue  
config>qos>qgrp>ing>qgrp>queue  
config>qos>qgrp>egr>qgrp>policer  
config>qos>qgrp>ing>qgrp>policer

**Description** The **cbs** command is used to define the default committed buffer size for the template queue or the CBS for the template policer. Overall, the **cbs** command follows the same behavior and provisioning characteristics as the **cbs** command in the SAP ingress and egress QoS policy.

The **no** form of this command restores the default CBS size to the template policer.

**Default** default

**Parameters** *size-in-kbytes* — For the queues, the *size* parameter is an integer expression of the number of kilobytes reserved for the queue. If a value of 10KBytes is desired, enter the value 10. A value of 0 specifies that no reserved buffers are required by the queue (a minimal reserved size can still be applied for scheduling purposes). For policers, the *size* parameter is an integer expression of the number of kilobytes for the policer CBS.

**Values** Queues: 0 to 104857 or default

Minimum configurable non-zero value - 6Kbytes on an FP2 and 7680 bytes on an FP3

Minimum non-zero default value - maximum of 10ms of CIR or 6Kbytes on an FP2 and 7680 bytes on an FP3

**Values** Policers: 0 to 16777216 or default

## QoS Queue Group Template Command Reference

### dynamic-mbs

|                    |                                                                                                                                                                                                                                                                                                                                                                                                                                                                                                                                                                                                                                                                                                                      |
|--------------------|----------------------------------------------------------------------------------------------------------------------------------------------------------------------------------------------------------------------------------------------------------------------------------------------------------------------------------------------------------------------------------------------------------------------------------------------------------------------------------------------------------------------------------------------------------------------------------------------------------------------------------------------------------------------------------------------------------------------|
| <b>Syntax</b>      | <b>[no] dynamic-mbs</b>                                                                                                                                                                                                                                                                                                                                                                                                                                                                                                                                                                                                                                                                                              |
| <b>Context</b>     | config>qos>qgrps>egr>qgrp>queue                                                                                                                                                                                                                                                                                                                                                                                                                                                                                                                                                                                                                                                                                      |
| <b>Description</b> | <p>This command enables support for dynamically modifying the MBS size of a queue using H-QoS in order to maintain the maximum latency for traffic in the queue based on the queue's configured MBS and the ratio of its operational PIR to its administrative PIR. As the H-QoS algorithm updates the operational PIR, by reducing or increasing it, the MBS of the queue is adjusted accordingly.</p> <p>The configuration of dynamic MBS and the configuration of queue depth monitoring (<b>monitor-depth</b> command) are mutually exclusive. Queue depth monitoring is an override on the queue where the queue group is applied.</p> <p>The <b>no</b> form of this command disables dynamic MBS resizing.</p> |
| <b>Default</b>     | no dynamic-mbs                                                                                                                                                                                                                                                                                                                                                                                                                                                                                                                                                                                                                                                                                                       |

### enable-exceed-pir

|                    |                                                                                                                                                                                                                                                         |
|--------------------|---------------------------------------------------------------------------------------------------------------------------------------------------------------------------------------------------------------------------------------------------------|
| <b>Syntax</b>      | <b>[no] enable-exceed-pir</b>                                                                                                                                                                                                                           |
| <b>Context</b>     | config>qos>sap-egress>policer<br>cfg>qos>qgrps>egr>qgrp                                                                                                                                                                                                 |
| <b>Description</b> | <p>This command enables the forwarding of traffic exceeding the PIR for a SAP egress or a network egress queue group (configured in the egress queue group template) policer. This traffic is forwarded as exceed-profile instead of being dropped.</p> |
| <b>Default</b>     | no enable-exceed-pir                                                                                                                                                                                                                                    |

### hi-low-prio-only

|                    |                                                                                                                                                                                                                                                                                                                                                                                                                                                                                                                                                                                                                                              |
|--------------------|----------------------------------------------------------------------------------------------------------------------------------------------------------------------------------------------------------------------------------------------------------------------------------------------------------------------------------------------------------------------------------------------------------------------------------------------------------------------------------------------------------------------------------------------------------------------------------------------------------------------------------------------|
| <b>Syntax</b>      | <b>hi-low-prio-only</b> <i>percent</i><br><b>no hi-low-prio-only</b>                                                                                                                                                                                                                                                                                                                                                                                                                                                                                                                                                                         |
| <b>Context</b>     | config>qos>sap-egress>queue<br>config>qos>qgrps>egr>qgrp>queue                                                                                                                                                                                                                                                                                                                                                                                                                                                                                                                                                                               |
| <b>Description</b> | <p>The <b>hi-low-prio-only</b> command configures the percentage of buffer space for the queue, used exclusively by higher priority (in-profile and out-of-profile) packets. The specified value overrides the default value for the context. It is applicable to SAP egress QoS policy queues and egress queue group template queues.</p> <p>The priority of a packet can only be set in the SAP ingress QoS policy and is only applicable on the ingress queues for a SAP. At SAP egress, the priority of a packet is based on its profile state. The <b>no</b> form of this command restores the default high priority reserved size.</p> |

The **hi-low-prio-only** drop tail exists also for egress network queues in a network queue policy, however, in these policies it is not configurable and has a default of an additional 10% of the MBS value on top of the high priority only.

**Default** 20%

**Parameters** *percent* — The percentage reserved for higher priority (in-profile and out-of-profile) traffic on the queue.

**Values** 0 to 100, default

## high-prio-only

**Syntax** **high-prio-only** *percent*  
**no high-prio-only**

**Context** config>qos>qgrps>egr>qgrp>queue  
config>qos>qgrp>ing>qgrp>queue

**Description** The **high-prio-only** command configures the percentage of buffer space for the queue, used exclusively by high priority packets. The specified value overrides the default value for the context.

The priority of a packet can only be set in the SAP ingress QoS policy and is only applicable on the ingress queues for a SAP. At SAP egress, the priority of a packet is based on its profile state.

The **no** form of this command restores the default high priority reserved size.

**Parameters** *percent* — The percentage reserved for high priority traffic on the queue.

**Values** 0 to 100, default

## high-prio-only

**Syntax** **high-prio-only** *percent-of-mbs*  
**no high-prio-only**

**Context** config>qos>qgrps>ing>qgrp>policer  
config>qos>qgrps>egr>qgrp>policer

**Description** This command is used to configure the percentage of the policer's PIR leaky bucket's MBS (maximum burst size) that is reserved for high priority traffic. While the **mbs** value defines the policer's high priority violate threshold, the percentage value defined is applied to the **mbs** value to derive the bucket's low priority violate threshold. See the **mbs** command details for information on which types of traffic is associated with each violate threshold.

## QoS Queue Group Template Command Reference

|                   |                                                                                                                                                 |
|-------------------|-------------------------------------------------------------------------------------------------------------------------------------------------|
| <b>Parameters</b> | <i>percent-of-mbs</i> — The <i>percent-of-mbs</i> parameter is required when specifying <b>high-prio-only</b> and is expressed as a percentage. |
| <b>Values</b>     | 0 to 100                                                                                                                                        |
| <b>Default</b>    | 10                                                                                                                                              |

### mbs

|                    |                                                                                                                                                  |
|--------------------|--------------------------------------------------------------------------------------------------------------------------------------------------|
| <b>Syntax</b>      | <b>mbs size [bytes   kilobytes]</b><br><b>no mbs</b>                                                                                             |
| <b>Context</b>     | config>qos>qgrps>egr>qgrp>queue<br>config>qos>qgrp>ing>qgrp>queue<br>config>qos>qgrp>egr>qgrp>policer<br>config>qos>qgrp>ing>qgrp>policer        |
| <b>Description</b> | The Maximum Burst Size (MBS) command specifies the default maximum buffer size for the template queue. The value is given in bytes or kilobytes. |

The MBS value is used by a queue to determine whether it has exhausted all of its buffers while enqueueing packets. Once the queue has exceeded the amount of buffers allowed by MBS, all packets are discarded until packets have been drained from the queue.

The port Ethernet access ingress and egress queue group context for mbs provides a mechanism for overriding the default maximum size for the queue.

The sum of the MBS for all queues on an ingress access port can oversubscribe the total amount of buffering available. When congestion occurs and buffers become scarce, access to buffers is controlled by the RED slope a packet is associated with. A queue that has not exceeded its MBS size is not guaranteed that a buffer will be available when needed or that the packets RED slope will not force the discard of the packet. Setting proper CBS parameters and controlling CBS over-subscription is one major safeguard to queue starvation (when a queue does not receive its fair share of buffers). Another is properly setting the RED slope parameters for the needs of services on this port or channel.

When configured on an egress queue group queue, this command and the **queue-delay** command are mutually exclusive. In order to change between the **mbs** and **queue-delay** parameters, the current parameter must be removed before adding the new parameter, that is, changing from **mbs** to **queue-delay** requires a **no mbs** before the **queue-delay** is configured and changing from **queue-delay** to **mbs** requires a **no queue-delay** before the **mbs** is configured. If **queue-delay** is configured for an egress queue group queue, it is not possible to override the MBS for that queue.

For policers, this command is used to configure the policer's PIR leaky bucket's high priority violate threshold. The **high-prio-only** command is applied to the MBS value to derive the bucket's low priority violate threshold.

For ingress, trusted in-profile packets and untrusted high priority packets use the policer's high priority violate threshold while trusted out-of-profile and untrusted low priority packets use the policer's low priority violate threshold. At egress, in-profile packets use the policer's high priority violate threshold and out-of-profile packets use the policer's low priority violate threshold.



The PIR bucket's violate threshold represent the maximum burst tolerance allowed by the policer. If the policer's offered rate is equal to or less than the policer's defined rate, the PIR bucket depth hovers around the 0 depth with spikes up to the maximum packet size in the offered load. If the offered rate increases beyond the metering rate, the amount of data allowed above the rate is capped by the threshold. The low priority violate threshold provides a smaller burst size for the lower priority traffic associated with the policer. Since all lower priority traffic is discarded at the lower burst tolerance size, the remaining burst tolerance defined by high-prio-only is available for the higher priority traffic.

The policer's mbs size defined in the QoS policy may be overridden on an sla-profile or SAP where the policy is applied.

The **no** form of this command returns the MBS size assigned to the queue to the value.

**Default** 64 kilobytes when PIR = max, otherwise 10ms volume of traffic for a configured non zero/non max PIR.

**Parameters** *size* — For queues, the size parameter is an integer expression of the maximum number of bytes or kilobytes of buffering allowed for the queue. For a value of 100 kbps, enter the value 100. A value of 0 causes the queue to discard all packets. For policers, the size parameter is an integer expression of the maximum number of bytes for the policer's MBS. The queue MBS maximum value used is constrained by the pool size in which the queue exists and by the shared pool space in the corresponding megapool.

**Values** For queues: 0 to 134217728, default

**Values** For policers: 0 to 16777216, default

**[bytes | kilobytes]** — Select bytes or kilobytes. Kilobytes is the default.

## packet-byte-offset

**Syntax** **packet-byte-offset** {*add bytes* | *subtract bytes*}  
**no packet-byte-offset**

**Context** config>qos>qgrpid>ing>qgrp>queue

**Description** This command is used to modify the size of each packet handled by the queue by adding or subtracting a number of bytes. The actual packet size is not modified; only the size used to determine the ingress scheduling and profiling is changed. The packet-byte-offset command is meant to be an arbitrary mechanism that can be used to either add downstream frame encapsulation or remove portions of packet headers. Both the scheduling and profiling throughput is affected by the offset as well as the stats (accounting) associated with the queue. The packet-byte-offset does not apply to drop statistics, received valid statistics, or the offered managed and unmanaged statistics used by Ingress Multicast Path Management.

The no version of this command is used to remove per packet size modifications from the queue.

## QoS Queue Group Template Command Reference

**Parameters**    **add bytes** — The add keyword is mutually exclusive to the subtract keyword. Either add or subtract must be specified. When add is defined the corresponding bytes parameter specifies the number of bytes that is added to the size each packet associated with the queue for scheduling, profiling and accounting purposes. From the queue's perspective, the packet size is increased by the amount being added to the size of each packet.

**Values**        0 to 30, in steps of 2

**Default**        None

**subtract bytes** — The subtract keyword is mutually exclusive to the add keyword. Either add or subtract must be specified. When subtract is defined the corresponding bytes parameter specifies the number of bytes that is subtracted from the size of each packet associated with the queue for scheduling, profiling and accounting purposes. From the queue's perspective, the packet size is reduced by the amount being subtracted from the size of each packet. The minimum resulting packet size used by the system is 1 byte.

**Values**        Values 0 to 64, in steps of 2

**Default**        None

## parent

**Syntax**        **parent** *scheduler-name* [**weight** *weight*] [**level** *level*] [**cir-weight** *cir-weight*] [**cir-level** *cir-level*]  
**no parent**

**Context**        config>qos>qgrps>egr>qgrp>queue  
config>qos>qgrp>ing>qgrp>queue

**Description**    This command defines an optional parent scheduler that further governs the available bandwidth given the queue aside from the queue's PIR setting. When multiple schedulers and/or queues share a child status with the parent scheduler, the **weight** or **level** parameters define how this queue contends with the other children for the parent's bandwidth.

Checks are not performed to see if a *scheduler-name* exists when the parent command is defined on the queue. Scheduler names are configured in the config>qos>scheduler-policy>tier *level* context. Multiple schedulers can exist with the *scheduler-name* and the association pertains to a scheduler that should exist on the egress SAP as the policy is applied and the queue created. When the queue is created on the egress SAP, the existence of the *scheduler-name* is dependent on a scheduler policy containing the *scheduler-name* being directly or indirectly applied (through a multi-service customer site) to the egress SAP. If the *scheduler-name* does not exist, the queue is placed in the orphaned operational state. The queue will accept packets but will not be bandwidth limited by a virtual scheduler or the scheduler hierarchy applied to the SAP. The orphaned state must generate a log entry and a trap message. The SAP which the queue belongs to must also depict an orphan queue status. The orphaned state of the queue is automatically cleared when the *scheduler-name* becomes available on the egress SAP.

The parent scheduler can be made unavailable due to the removal of a scheduler policy or scheduler. When an existing parent scheduler is removed or inoperative, the queue enters the orphaned state mentioned above and automatically return to normal operation when the parent scheduler is available again.

When a parent scheduler is defined without specifying weight or strict parameters, the default bandwidth access method is weight with a value of 1.

The **no** form of the command removes a child association with a parent scheduler. If a parent association does not currently exist, the command has no effect and returns without an error. Once a parent association has been removed, the former child queue attempts to operate based on its configured rate parameter. Removing the parent association on the queue within the policy takes effect immediately on all queues using the SAP egress QoS policy.

### Parameters

*scheduler-name* — The defined *scheduler-name* conforms to the same input criteria as the schedulers defined within a scheduler policy. Scheduler names are configured in the `config>qos>scheduler-policy>tier level` context. There are no checks performed at the time of definition to ensure that the *scheduler-name* exists within an existing scheduler policy. For the queue to use the defined *scheduler-name*, the scheduler exists on each egress SAP the queue is eventually created on. For the duration where *scheduler-name* does not exist on the egress SAP, the queue operates in an orphaned state.

**Values** Any string up to 32 characters long composed of printable, 7-bit ASCII characters. If the string contains special characters (#, \$, spaces, etc.), the entire string must be enclosed within double quotes.

**Default** None. Each parental association must be explicitly defined.

**weight** *weight* — *weight* defines the relative weight of this queue in comparison to other child schedulers and queues while vying for bandwidth on the parent *scheduler-name*. Any queues or schedulers defined as weighted receive no parental bandwidth until all strict queues and schedulers on the parent have reached their maximum bandwidth or are idle. In this manner, weighted children are considered to be the lowest priority.

All **weight** values from all weighted active queues and schedulers with a common parent scheduler are added together. Then, each individual active weight is divided by the total, deriving the percentage of remaining bandwidth provided to the queue or scheduler after the strict children are serviced. A weight is considered to be active when the pertaining queue or scheduler has not reached its maximum rate and still has packets to transmit. All child queues and schedulers with a weight of 0 are considered to have the lowest priority level and are not serviced until all strict and non-zero weighted queues and schedulers are operating at the maximum bandwidth or are idle.

**Values** 0 to 100

**Default** 1

**level** *level* — The optional **level** parameter defines the level of hierarchy when compared to other schedulers and queues when vying for bandwidth on the parent *scheduler-name*. Any queues or schedulers defined as **strict** receive no parental bandwidth until all strict queues and schedulers with a higher (numerically larger) priority on the parent have reached their maximum bandwidth or are idle.

## QoS Queue Group Template Command Reference

Children of the parent scheduler with a lower strict priority or that are weighted will not receive bandwidth until all children with a higher strict priority have either reached their maximum bandwidth or are idle. Children with the same strict level are serviced in a round robin fashion.

**Values** 1 to 100

**Default** 1

**cir-weight** *cir-weight* — Defines the weight the queue or scheduler will use at the within-cir port priority level (defined by the cir-level parameter). The weight is specified as an integer value from 0 to 100 with 100 being the highest weight. When the cir-weight parameter is set to a value of 0 (the default value), the queue or scheduler does not receive bandwidth during the port schedulers within-cir pass and the cir-level parameter is ignored. If the cir-weight parameter is 1 or greater, the cir-level parameter comes into play.

**Values** 0 to 100

**cir-level** *cir-level* — Defines the port priority the queue or scheduler will use to receive bandwidth for its within-cir offered-load. If the cir-weight parameter is set to a value of 0 (the default value), the queue or scheduler does not receive bandwidth during the port schedulers within-cir pass and the cir-level parameter is ignored. If the cir-weight parameter is 1 or greater, the cir-level parameter comes into play.

**Values** 0 to 8 (8 is the highest priority)

**Default** 0

### percent-rate

**Syntax** **percent-rate** *pir-percent* [**cir** *cir-percent*]  
**no percent-rate**

**Context** config>qos>queue-group-templates>egress>queue-group-template>queue

**Description** The **percent-rate** command within the egress queue group template enables support for a queue's PIR and CIR rate to be configured as a percentage of the egress port's line rate. When the rates are expressed as a percentage within the template, the actual rate used per instance of the queue group queue-id will vary based on the port speed. For example, when the same template is used to create a queue group on a 1-Gigabit and a 10-Gigabit Ethernet port, the queue's rates will be 10 times greater on the 10 Gigabit port due to the difference in port speeds. This enables the same template to be used on multiple ports without needing to use port based queue overrides to modify a queue's rate to get the same relative performance from the queue.

If the port's speed changes after the queue is created, the queue's shaping and CIR rates will be recalculated based on the defined percentage value.

The rate and percent-rate commands override one another. If the current rate for a queue is defined using the percent-rate command and the rate command is executed, the percent-rate values are deleted. In a similar fashion, the percent-rate command causes any rate command values to be deleted. A queue's rate may dynamically be changed back and forth from a percentage to an explicit rate at anytime.

The **no** form of this command returns the queue to its default shaping rate and cir rate.

**Parameters** *pir-percent* — This parameter is used to express the queue’s shaping rate as a percentage of line rate. The line rate associated with the queue’s port may dynamically change due to configuration or auto-negotiation and the egress-rate setting.

**Values** Percentage ranging from 0.01 to 100.00. The default is 100.00.

*cir-percent* — The **cir** keyword is optional and when defined the required *pir-percent* parameter expresses the queue’s committed scheduling rate as a percentage of line rate. The line rate associated with the queue’s port may dynamically change due to configuration or auto-negotiation and the egress-rate setting.

**Values** Percentage ranging from 0.00 to 100.00. The default is 100.00.

## pool

**Syntax** **pool** *pool-name*  
**no pool**

**Context** config>qos>qgrps>egr>qgrp>queue  
config>qos>qgrps>ing>qgrp>queue

**Description** This command specifies a named pool for this queue. The pool command overrides the default buffer pool association for the template queue when the queue is created on an IOM with named pool mode enabled. The pool command follows the same behavior and provisioning characteristics as the pool command in the SAP ingress QoS policy.

When the template is applied as an ingress port queue group, the named pool may be either a port named pool or an MDA named pool. When the template is applied as a VPLS ingress queue group, the named pool will only match an MDA named pool. If named pool mode is not enabled where the template queue is created, the defined pool name is ignored.

The **no** form of the command removes the pool name from the configuration.

This command only applies to the 7450 ESS and 7750 SR.

**Default** none

**Parameters** *pool-name* — The specified *pool-name* identifies a named pool where the policy will be applied. Each queue created within the system is tied to a physical port. When the policy is applied and the queue is created, the system will scan the named pools associated with the port to find the specified pool name. If the pool is not found on the port, the system will then look at named pools defined at the ports MDA level. If the pool name is not found on either the port or MDA, the queue will be marked as ‘pool-orphaned’ and will be mapped to the appropriate default pool. If the pool comes into existence, the queue will be moved from the default pool to the new named pool and the ‘pool-orphaned’ state will be cleared. The specified name must be an ASCII name string up to 32 characters long.

## QoS Queue Group Template Command Reference

### port-parent

|                    |                                                                                                                                                                                                                                                                                                                                                                                                                                                                                                                                                                                                                                                                                                                                                                                                                                                                                                                                                                                                                                                                                                                                                                                                                                                                                                                                                                                                                                                                                                                                                                                                                  |
|--------------------|------------------------------------------------------------------------------------------------------------------------------------------------------------------------------------------------------------------------------------------------------------------------------------------------------------------------------------------------------------------------------------------------------------------------------------------------------------------------------------------------------------------------------------------------------------------------------------------------------------------------------------------------------------------------------------------------------------------------------------------------------------------------------------------------------------------------------------------------------------------------------------------------------------------------------------------------------------------------------------------------------------------------------------------------------------------------------------------------------------------------------------------------------------------------------------------------------------------------------------------------------------------------------------------------------------------------------------------------------------------------------------------------------------------------------------------------------------------------------------------------------------------------------------------------------------------------------------------------------------------|
| <b>Syntax</b>      | <b>port-parent</b> [ <b>weight</b> <i>weight</i> ] [ <b>level</b> <i>level</i> ] [ <b>cir-weight</b> <i>cir-weight</i> ] [ <b>cir-level</b> <i>cir-level</i> ]<br><b>no port-parent</b>                                                                                                                                                                                                                                                                                                                                                                                                                                                                                                                                                                                                                                                                                                                                                                                                                                                                                                                                                                                                                                                                                                                                                                                                                                                                                                                                                                                                                          |
| <b>Context</b>     | config>qos>qgrps>egr>qgrp>queue                                                                                                                                                                                                                                                                                                                                                                                                                                                                                                                                                                                                                                                                                                                                                                                                                                                                                                                                                                                                                                                                                                                                                                                                                                                                                                                                                                                                                                                                                                                                                                                  |
| <b>Description</b> | <p>This command defines the port scheduling parameters used to control the queues behavior when a virtual egress port scheduling is enabled where the egress queue group template is applied. The port-parent command follows the same behavior and provisioning characteristics as the parent command in the SAP egress QoS policy. The port-parent command is mutually exclusive with the parent command.</p> <p>The <b>no</b> form of the command removes the values from the configuration.</p>                                                                                                                                                                                                                                                                                                                                                                                                                                                                                                                                                                                                                                                                                                                                                                                                                                                                                                                                                                                                                                                                                                              |
| <b>Default</b>     | none                                                                                                                                                                                                                                                                                                                                                                                                                                                                                                                                                                                                                                                                                                                                                                                                                                                                                                                                                                                                                                                                                                                                                                                                                                                                                                                                                                                                                                                                                                                                                                                                             |
| <b>Parameters</b>  | <p><b>weight</b> <i>weight</i> — Defines the weight the queue or scheduler will use at the above-cir port priority level (defined by the level parameter).</p> <p><b>Values</b> 0 to 100</p> <p><b>Default</b> 1</p> <p><b>level</b> <i>level</i> — Defines the port priority the queue or scheduler will use to receive bandwidth for its above-cir offered-load.</p> <p><b>Values</b> 1 to 8 (8 is the highest priority)</p> <p><b>Default</b> 1</p> <p><b>cir-weight</b> <i>cir-weight</i> — Defines the weight the queue or scheduler will use at the within-cir port priority level (defined by the cir-level parameter). The weight is specified as an integer value from 0 to 100 with 100 being the highest weight. When the cir-weight parameter is set to a value of 0 (the default value), the queue or scheduler does not receive bandwidth during the port schedulers within-cir pass and the cir-level parameter is ignored. If the cir-weight parameter is 1 or greater, the cir-level parameter comes into play.</p> <p><b>Values</b> 0 to 100</p> <p><b>cir-level</b> <i>cir-level</i> — Defines the port priority the queue or scheduler will use to receive bandwidth for its within-cir offered-load. If the cir-weight parameter is set to a value of 0 (the default value), the queue or scheduler does not receive bandwidth during the port schedulers within-cir pass and the cir-level parameter is ignored. If the cir-weight parameter is 1 or greater, the cir-level parameter comes into play.</p> <p><b>Values</b> 0 to 8 (8 is the highest priority)</p> <p><b>Default</b> 0</p> |

### queue-delay

|               |                                                          |
|---------------|----------------------------------------------------------|
| <b>Syntax</b> | <b>queue-delay</b> <i>delay</i><br><b>no queue-delay</b> |
|---------------|----------------------------------------------------------|

**Context** config>qos>qgrps>egr>qgrp>queue

**Description** This command configures the target queue delay for packets forwarded through the queue. It is used to determine the related queue parameters based on the administrative PIR of the queue. This command and the **mbs** command are mutually exclusive.

In order to change between the **mbs** and **queue-delay** parameters, the current parameter must be removed before adding the new parameter, that is, changing from **mbs** to **queue-delay** requires a **no mbs** before the **queue-delay** is configured and changing from **queue-delay** to **mbs** requires a **no queue-delay** before the **mbs** is configured.

If **queue-delay** is configured for an egress queue group queue, it is not possible to override the MBS for that queue.

The **no** form of this command disables the determination of the queue parameters based on the queue delay.

**Default** no queue-delay

**Parameters** *delay* — target queue delay in milliseconds

**Values** 1 to 5000 (decimal)

## rate

**Syntax** **rate** *pir-rate* [*cir cir-rate*]  
**no rate**

**Context** config>qos>qgrps>egr>qgrp>queue  
config>qos>qgrps>ing>qgrp>policer  
config>qos>qgrps>egr>qgrp>policer

**Description** This command defines the administrative Peak Information Rate (PIR) and the administrative Committed Information Rate (CIR) parameters for the queue or policer. The PIR defines the maximum rate that the queue or policer can transmit packets out an egress interface (for SAP egress queues or policer). Defining a PIR does not necessarily guarantee that the queue can transmit at the intended rate. The actual rate sustained by the queue or policer can be limited by oversubscription factors or available egress bandwidth.

The CIR defines the rate at which the system prioritizes the queue or policer over other queues or policer competing for the same bandwidth. In-profile then out-of-profile packets are preferentially queued by the system at egress and at subsequent next hop nodes where the packet can traverse. To be properly handled throughout the network, the packets must be marked accordingly for profiling at each hop.

The CIR can be used by the queue or policer's parent commands *cir-level* and *cir-weight* parameters to define the amount of bandwidth considered to be committed for the child queue during bandwidth allocation by the parent scheduler.

## QoS Queue Group Template Command Reference

The **rate** command can be executed at anytime, altering the PIR and CIR rates for all queues created through the association of the SAP egress QoS policy with the *queue-id* or *policer-id*.

The **no** form of the command returns all queues or policer created with the *queue-id* or *policer-id* by association with the QoS policy to the default PIR and CIR parameters (**max**, 0).

|                   |                                                                                                                                                                                                                                                                                                                                                                                                                                                                                                                                                                                                                                                                                                                                                                                                                                                                                                                                                                                                                                                                                                                                                                                                                                                                                                                                                                                                                                                                                                                                                                                                                                                                                                                                                                                                                                                                                                                                                                                                       |
|-------------------|-------------------------------------------------------------------------------------------------------------------------------------------------------------------------------------------------------------------------------------------------------------------------------------------------------------------------------------------------------------------------------------------------------------------------------------------------------------------------------------------------------------------------------------------------------------------------------------------------------------------------------------------------------------------------------------------------------------------------------------------------------------------------------------------------------------------------------------------------------------------------------------------------------------------------------------------------------------------------------------------------------------------------------------------------------------------------------------------------------------------------------------------------------------------------------------------------------------------------------------------------------------------------------------------------------------------------------------------------------------------------------------------------------------------------------------------------------------------------------------------------------------------------------------------------------------------------------------------------------------------------------------------------------------------------------------------------------------------------------------------------------------------------------------------------------------------------------------------------------------------------------------------------------------------------------------------------------------------------------------------------------|
| <b>Parameters</b> | <b>rate max cir 0</b> — The <b>max</b> default specifies the amount of bandwidth in kilobits per second (thousand bits per second). The <b>max</b> value is mutually exclusive to the <b>pir-rate</b> value.<br><i>pir-rate</i> — Defines the administrative PIR rate, in kilobits, for the queue or policer. When the <b>rate</b> command is executed, a valid PIR setting must be explicitly defined. When the <b>rate</b> command has not been executed, the default PIR of <b>max</b> is assumed. When <b>max</b> is specified, the maximum policer rate used will be equal to the maximum capacity of the card on which the policer is configured. If the policer rate is set to a value larger than the maximum rate possible for the card, then the PIR used is equivalent to <b>max</b> . Fractional values are not allowed and must be given as a positive integer.<br>The actual PIR rate is dependent on the queue's <b>adaptation-rule</b> parameters and the actual hardware where the queue or policer is provisioned.<br><b>Values</b> Queue: [1 to 2000000000   max] Kbps<br><b>Values</b> Policer:[1 to 2000000000   max] Kbps<br><b>Default</b> max<br><i>cir-rate</i> — The <b>cir</b> parameter overrides the default administrative CIR used by the queue or policer. When the <b>rate</b> command is executed, a CIR setting is optional. When the <b>rate</b> command has not been executed or the <b>cir</b> parameter is not explicitly specified, the default CIR (0) is assumed.<br>Fractional values are not allowed and must be given as a positive integer. When <b>max</b> is specified, the maximum policer rate used will be equal to the maximum capacity of the card on which the policer is configured. If the policer rate is set to a value larger than the maximum rate possible for the card then the CIR used is equivalent to <b>max</b> .<br><b>Values</b> Queue: [0 to 2000000000   max] Kbps<br>Policer:[0 to 2000000000   max] Kbps<br><b>Default</b> 0 |
|-------------------|-------------------------------------------------------------------------------------------------------------------------------------------------------------------------------------------------------------------------------------------------------------------------------------------------------------------------------------------------------------------------------------------------------------------------------------------------------------------------------------------------------------------------------------------------------------------------------------------------------------------------------------------------------------------------------------------------------------------------------------------------------------------------------------------------------------------------------------------------------------------------------------------------------------------------------------------------------------------------------------------------------------------------------------------------------------------------------------------------------------------------------------------------------------------------------------------------------------------------------------------------------------------------------------------------------------------------------------------------------------------------------------------------------------------------------------------------------------------------------------------------------------------------------------------------------------------------------------------------------------------------------------------------------------------------------------------------------------------------------------------------------------------------------------------------------------------------------------------------------------------------------------------------------------------------------------------------------------------------------------------------------|

## packet-byte-offset

|                    |                                                                                                                                                                                                                                     |
|--------------------|-------------------------------------------------------------------------------------------------------------------------------------------------------------------------------------------------------------------------------------|
| <b>Syntax</b>      | <b>packet-byte-offset {add bytes   subtract bytes}</b><br><b>no packet-byte-offset</b>                                                                                                                                              |
| <b>Context</b>     | config>qos>queue-group-templates>egress>queue-group>queue                                                                                                                                                                           |
| <b>Description</b> | This command is used to modify the size of each packet handled by the queue by adding or subtracting a number of bytes. The actual packet size is not modified; only the size used to determine the bucket depth impact is changed. |



The packet-byte-offset command is meant to be an arbitrary mechanism that can be used to either add downstream frame encapsulation or remove portions of packet headers.

When a packet-byte-offset value is applied to a queue instance, it adjusts the immediate packet size. This means that the queue rates (i.e., operational PIR and CIR) and queue bucket updates use the adjusted packet size. In addition, the queue statistics will also reflect the adjusted packet size. Scheduler policy rates, which are data rates, will use the adjusted packet size.

The port scheduler **max-rate** and the priority level rates and weights, if a Weighted Scheduler Group is used, are always on-the-wire rates and thus use the actual frame size. The same goes for the **agg-rate-limit** on a SAP, a subscriber, or a Multi-Service Site (MSS) when the queue is port-parented.

When the user enables **frame-based-accounting** in a scheduler policy or **queue-frame-based-accounting** with **agg-rate-limit** in a port scheduler policy, the queue rate will be capped to a user configured on-the-wire rate, but the packet-byte-offset value is still in effect as explained above. This command is ignored on FP1 hardware.

The **no** version of this command is used to remove per packet size modifications from the queue.

**Parameters** **add bytes** — The **add** keyword is mutually exclusive to the **subtract** keyword. Either **add** or **subtract** must be specified. When **add** is defined, the corresponding bytes parameter specifies the number of bytes that is added to the size of each packet associated with the queue for scheduling and accounting purposes.

**Values** 0 to 32

**subtract bytes** — The **subtract** keyword is mutually exclusive to the **add** keyword. Either **add** or **subtract** must be specified. When **subtract** is defined, the corresponding bytes parameter specifies the number of bytes that is subtracted to the size of each packet associated with the queue for scheduling and accounting purposes. The minimum resulting packet size used by the system is 1 byte.

**Values** 0 to 64

## wred-queue

**Syntax** **wred-queue** [**policy** *slope-policy-name*] [**mode** {**native** | **pool-per-queue**}] [**slope-usage** {**default** | **exceed-low**}]  
**no wred-queue**

**Context** config>qos>qgrps>egr>qgrp>queue

**Description** This command allows the configuration of WRED per queue with the following options:

- Native hardware WRED  
This uses the hardware per queue WRED capabilities of the FP3 and is configured with the **native** keyword.
- Pool per queue WRED

## QoS Queue Group Template Command Reference

This implements each queue in its own pool and uses the WRED capabilities of the pool to provide WRED per queue. This is supported on both FP2 and later hardware and is configured with the **pool-per-queue** keyword.

### Native Hardware WRED

When the **wred-queue mode** native command is configured, the queue uses the WRED capabilities of the FP3. In this case the out and exceed profile traffic map to the low and exceed WRED slopes specified within the slope policy, and the in profile traffic uses the MBS drop tail; this requires the **slope-usage** to be configured as **exceed-low**. The instantaneous queue depth is compared against the low and exceed slopes so the time average factor in the slope policy is ignored.

When a policy is not explicitly defined, the default slope policy is used.

When **native** mode is enabled for a queue, the **hi-low-prio-only** and **high-prio-only** commands are ignored; traffic mapped to a slope which is shutdown will use the MBS drop tail.

This is only supported on FP3 hardware and is ignored on FP1 and FP2 hardware.

The **no** form of the command restores the queue default congestion control behavior to the queue.

### Pool-per-queue WRED

When the **wred-queue mode pool-per-queue** command is defined and the queue ID is created on FP2 or higher based hardware, a buffer pool is created specifically for the queue and the queue obtains all buffers from that pool. The size of the pool is the same as the size of the queue. In this manner, the WRED slopes that operate based on the pool's buffer utilization are also reacting to the congestion depth of the queue.

The size of the buffer pool is dictated by the queue's **mbs** parameter. The size of the reserved CBS portion of the buffer pool is dictated by the queue's **cbs** parameter. The provisioning characteristics of the **mbs** and **cbs** commands are not changed.

In the case where this is applied on FP2 or higher based hardware which has WRED queue support shutdown (**config>card>fp>egress>wred-queue-control>shutdown**) the queue will continue to map to either to its default pool or the pool defined in the **pool** command. If the **no shutdown** command is executed in the **wred-queue-control** context, the queue will at that point be automatically moved to its own WRED pool.

Each pool created for a queue using the **wred-queue** command shares buffers with all other **wred-queue** enabled queues on the same forwarding plane. The WRED pool buffer management behavior is defined within the **config>card>fp>egress>wred-queue-control** CLI context.

The WRED slopes within the pool are defined by the slope policy associated with the queue. When a policy is not explicitly defined, the default slope policy is used. The slope policy enables, disables and defines the relative geometry of the high, low, and exceed WRED slopes in the pool. The policy also specifies the time average factor used by the pool when calculating the weighted average pool depth.

As packets attempt to enter the egress queue, they are associated with the high, low, or exceed WRED slope based on the packets' profile. If the packet is in-profile, the high slope is used. If the packet is out-of-profile, the low slope is used, and, if the packet is exceed-profile, then exceed slope is used. This mapping of packet profile to slope is enabled using the **slope-usage default** parameter. Each WRED slope performs a probability discard based on the current weighted average pool depth.

When **wred-queue** is enabled for an egress queue group queue on FP2 or higher based hardware, the queue pool **hi-low-prio-only** and **hi-prio-only** commands are ignored; traffic mapped to a slope which is shutdown will use the MBS drop tail.

The configuration of **wred-queue mode pool-per-queue** is ignored on FP1 hardware. The resource usage for the wred-queue pool-per-queue per forwarding plane can be seen in the **tools dump resource-usage card [slot-num] fp [fp-number]** output under *Dynamic Q2 Wred Pools*.

The **no** form of the command restores the generic buffer pool behavior to the queue. The WRED pool is removed from the system. The queue will be moved to either the default buffer pool or to a named pool if defined and the pool exists. The queue then uses the default congestion control behavior.

**Default** no wred-queue

**Parameters** *slope-policy-name* — Specifies an existing slope policy that is used to override the default WRED slope policy.

**mode {native | pool-per-queue}** — The mode species whether the WRED per queue is using the native FP3 WRED capabilities or the FP2 and later hardware pool per queue.

**Values** **native** - use the hardware per queue WRED capabilities of the FP3 and requires **slope-usage exceed-low**.

**pool-per-queue** - each queue uses its own pool and the WRED capabilities of the pool to provide WRED per queue. This is supported on both FP2 and later hardware and requires **slope-usage default**.

**Default** native

**slope-usage {default | exceed-low}** — This parameter specifies congestion control to be used.

**Values** **default** - maps the in, out, and exceed profile traffic to the high, low, and exceed WRED slopes respectively; this is only supported for **pool-per-queue** mode.

**exceed-low** - maps the out and exceed profile traffic to the low and exceed WRED slopes with the in profile traffic using the MBS drop tail. This is only supported for **native** mode.

**Default** exceed-low

## queue

**Syntax** queue *queue-id*  
no queue

## QoS Queue Group Template Command Reference

|                    |                                                                                                                                                                                                                                                                                                                                                                                                                                                                                                    |
|--------------------|----------------------------------------------------------------------------------------------------------------------------------------------------------------------------------------------------------------------------------------------------------------------------------------------------------------------------------------------------------------------------------------------------------------------------------------------------------------------------------------------------|
| <b>Context</b>     | config>qos>queue-group-templates>egress>queue-group-template>fc                                                                                                                                                                                                                                                                                                                                                                                                                                    |
| <b>Description</b> | This command is used to map the forwarding class to the specified <i>queue-id</i> . The specified <i>queue-id</i> must exist within the egress queue group template. Once a queue is defined in a forwarding class mapping, that queue cannot be deleted unless the forwarding class mapping is moved to another queue within the template. Other criteria may also exist preventing the queue from being deleted from the template such as an applied SAP egress QoS policy mapping to the queue. |
| <b>Parameters</b>  | <i>queue-id</i> — The specified <i>queue-id</i> must exist within the egress queue group template.                                                                                                                                                                                                                                                                                                                                                                                                 |
| <b>Values</b>      | 1 to 8                                                                                                                                                                                                                                                                                                                                                                                                                                                                                             |
| <b>Default</b>     | Dependent on user or system created template.                                                                                                                                                                                                                                                                                                                                                                                                                                                      |

### ingress

|                    |                                                                                                                                                                                                                                                                                                                                      |
|--------------------|--------------------------------------------------------------------------------------------------------------------------------------------------------------------------------------------------------------------------------------------------------------------------------------------------------------------------------------|
| <b>Syntax</b>      | <b>ingress</b>                                                                                                                                                                                                                                                                                                                       |
| <b>Context</b>     | config>qos>qgrps                                                                                                                                                                                                                                                                                                                     |
| <b>Description</b> | <p>This command enables the context to create ingress queue group templates. Ingress queue group templates can be applied to ingress ports to create an ingress queue group of the same name.</p> <p>An ingress template must be created for a group-name prior to creating a queue group with the same name on an ingress port.</p> |
| <b>Default</b>     | none                                                                                                                                                                                                                                                                                                                                 |

### queue

|                    |                                                                                                                                                                                                                                                                                                                                                                                                                                                                                                                                                                                                                                                                                                                                                                                                                                                                                                                                                                           |
|--------------------|---------------------------------------------------------------------------------------------------------------------------------------------------------------------------------------------------------------------------------------------------------------------------------------------------------------------------------------------------------------------------------------------------------------------------------------------------------------------------------------------------------------------------------------------------------------------------------------------------------------------------------------------------------------------------------------------------------------------------------------------------------------------------------------------------------------------------------------------------------------------------------------------------------------------------------------------------------------------------|
| <b>Syntax</b>      | <b>queue <i>queue-id</i> [multipoint] [<i>queue-type</i>] [<i>queue-mode</i>] [create]</b><br><b>no queue <i>queue-id</i></b>                                                                                                                                                                                                                                                                                                                                                                                                                                                                                                                                                                                                                                                                                                                                                                                                                                             |
| <b>Context</b>     | cfg>qos>qgrps>egr>qgrp<br>cfg>qos>qgrps>ing>qgrp                                                                                                                                                                                                                                                                                                                                                                                                                                                                                                                                                                                                                                                                                                                                                                                                                                                                                                                          |
| <b>Description</b> | <p>This command creates a queue for use in a queue group template. Once created, the defined <i>queue-id</i> acts as a repository for the default parameters for the queue. The template queue is created on each queue-group object which is created with the queue group template name. Each queue is identified within the template by a <i>queue-id</i> number. The template ensures that all queue groups created with the template? name will have the same <i>queue-ids</i> providing a uniform structure for the forwarding class redirection commands in the SAP ingress QoS policies. The parameters within the template queue will be used as the default settings for each queue in the actual queue group. The queue parameters may be individually changed for each queue in each queue group using per queue overrides.</p> <p>Once a queue within a template is mapped by a forwarding class on any object, the queue may be edited, but not deleted.</p> |

The **no** form of the command removes a template queue from the queue group template. If the queue is specified as a forwarding class redirection target in any SAP ingress QoS policy, the command will fail.

|                   |                                                                                                                                                                                                                                                                                                                                                                                                                                                                                                                                                                                                                                                                                                                                                                                                                                                                                                                                                                                                                                                                                                                                                                                                                                                                                                                                                                                                                                                                                                                                                                                                                                                                                                                                                                                                                                                                                                                                                                                                                                                                                                                                                                                                                                                                                                                                                                                                                                                                                                                  |
|-------------------|------------------------------------------------------------------------------------------------------------------------------------------------------------------------------------------------------------------------------------------------------------------------------------------------------------------------------------------------------------------------------------------------------------------------------------------------------------------------------------------------------------------------------------------------------------------------------------------------------------------------------------------------------------------------------------------------------------------------------------------------------------------------------------------------------------------------------------------------------------------------------------------------------------------------------------------------------------------------------------------------------------------------------------------------------------------------------------------------------------------------------------------------------------------------------------------------------------------------------------------------------------------------------------------------------------------------------------------------------------------------------------------------------------------------------------------------------------------------------------------------------------------------------------------------------------------------------------------------------------------------------------------------------------------------------------------------------------------------------------------------------------------------------------------------------------------------------------------------------------------------------------------------------------------------------------------------------------------------------------------------------------------------------------------------------------------------------------------------------------------------------------------------------------------------------------------------------------------------------------------------------------------------------------------------------------------------------------------------------------------------------------------------------------------------------------------------------------------------------------------------------------------|
| <b>Default</b>    | none                                                                                                                                                                                                                                                                                                                                                                                                                                                                                                                                                                                                                                                                                                                                                                                                                                                                                                                                                                                                                                                                                                                                                                                                                                                                                                                                                                                                                                                                                                                                                                                                                                                                                                                                                                                                                                                                                                                                                                                                                                                                                                                                                                                                                                                                                                                                                                                                                                                                                                             |
| <b>Parameters</b> | <p><i>queue-id</i> — This required parameter identifies the queue that will either be created or edited within the queue group template.</p> <p><b>Values</b> 1 to 32</p> <p><b>multipoint</b> — This optional keyword creates an ingress multipoint queue. Multipoint queues in a queue group may be used by ingress VPLS for forwarding types multicast, broadcast or unknown within a forwarding class. For ingress IES and VPRN access SAPs, only multicast is supported. Multipoint queues are only supported on ingress queue group templates</p> <p><i>queue-type</i> — The queue types are mutually exclusive to each other.</p> <p><b>Values</b></p> <p><b>expedite</b> — This keyword ensures that the queue is treated in an expedited manner independent of the forwarding classes mapped to the queue.</p> <p><b>best-effort</b> — This keyword ensures that the queue is treated in a non-expedited manner independent of the forwarding classes mapped to the queue.</p> <p><i>queue-mode</i> — These keywords are optional and mutually exclusive when creating a new template queue. The keywords specify how the queue manages ingress explicitly profiled packets.</p> <p><b>Values</b></p> <p><b>profile-mode</b> — Overrides the default priority mode of the queue and allows the adoption of color-aware profiling within the queue. Forwarding classes and sub-classes may be explicitly defined as in-profile or out-of-profile. Out-of-profile classified packets bypass the CIR rate associated with the queue reserving it for the undefined or in-profile classified packets. If the template queue is not defined as profile-mode and the packet redirected to the queue is explicitly out-of-profile based on the classification rules, the queues within CIR bandwidth may be consumed by the packet.</p> <p><b>priority-mode</b> — Defines that the SAP ingress QoS policy priority classification result will be honored by the queue. Priority mode is the default mode of the queue. High priority packets are allowed into the queue up to the mbs size defined for the queue. Low priority packets are discarded at the low priority MBS threshold which is derived from applying the hi-prio-only percentage to the queues MBS and subtracting that result from the mbs size defined.</p> <p><b>create</b> — Keyword used to create the queue ID instance. The <b>create</b> keyword requirement can be enabled/disabled in the <b>environment&gt;create</b> context.</p> |

## QoS Queue Group Template Command Reference

### rate

|                    |                                                                                                                                                                                                                                                                                                                                                                                                                                                                                                                                                                                                                                                                                                                                                                                                                                                                                                                                                                                                                                                                                                                                                                                                                                                                                                                                                                                                                                                                                                                                                                                                                                                                             |
|--------------------|-----------------------------------------------------------------------------------------------------------------------------------------------------------------------------------------------------------------------------------------------------------------------------------------------------------------------------------------------------------------------------------------------------------------------------------------------------------------------------------------------------------------------------------------------------------------------------------------------------------------------------------------------------------------------------------------------------------------------------------------------------------------------------------------------------------------------------------------------------------------------------------------------------------------------------------------------------------------------------------------------------------------------------------------------------------------------------------------------------------------------------------------------------------------------------------------------------------------------------------------------------------------------------------------------------------------------------------------------------------------------------------------------------------------------------------------------------------------------------------------------------------------------------------------------------------------------------------------------------------------------------------------------------------------------------|
| <b>Syntax</b>      | <b>rate</b> <i>pir-rate</i> [ <b>cir</b> <i>cir-rate</i> ]<br><b>rate</b> <i>pir-rate</i> <b>police</b><br><b>no rate</b>                                                                                                                                                                                                                                                                                                                                                                                                                                                                                                                                                                                                                                                                                                                                                                                                                                                                                                                                                                                                                                                                                                                                                                                                                                                                                                                                                                                                                                                                                                                                                   |
| <b>Context</b>     | config>qos>qgrp>ing>qgrp>queue                                                                                                                                                                                                                                                                                                                                                                                                                                                                                                                                                                                                                                                                                                                                                                                                                                                                                                                                                                                                                                                                                                                                                                                                                                                                                                                                                                                                                                                                                                                                                                                                                                              |
| <b>Description</b> | <p>This command defines the administrative Peak Information Rate (PIR) and the administrative Committed Information Rate (CIR) parameters for the queue. The PIR defines the maximum rate that the queue can transmit packets through the switch fabric (for SAP ingress queues). Defining a PIR does not necessarily guarantee that the queue can transmit at the intended rate. The actual rate sustained by the queue can be limited by oversubscription factors or available egress bandwidth.</p> <p>The CIR defines the rate at which the system prioritizes the queue over other queues competing for the same bandwidth. For SAP ingress, the CIR also defines the rate that packets are considered in-profile by the system. In-profile then out-of-profile packets are preferentially queued by the system at egress and at subsequent next hop nodes where the packet can traverse. To be properly handled throughout the network, the packets must be marked accordingly for profiling at each hop.</p> <p>The CIR can be used by the queue's parent commands <i>cir-level</i> and <i>cir-weight</i> parameters to define the amount of bandwidth considered to be committed for the child queue during bandwidth allocation by the parent scheduler.</p> <p>The <b>rate</b> command can be executed at anytime, altering the PIR and CIR rates for all queues created through the association of the SAP ingress or SAP egress QoS policy with the <i>queue-id</i>.</p> <p>The <b>no</b> form of the command returns all queues created with the <i>queue-id</i> by association with the QoS policy to the default PIR and CIR parameters (<b>max</b>, 0).</p> |
| <b>Default</b>     | none                                                                                                                                                                                                                                                                                                                                                                                                                                                                                                                                                                                                                                                                                                                                                                                                                                                                                                                                                                                                                                                                                                                                                                                                                                                                                                                                                                                                                                                                                                                                                                                                                                                                        |
| <b>Parameters</b>  | <p><i>pir-rate</i> — Defines the administrative PIR rate, in kilobits, for the queue. When the <b>rate</b> command is executed, a valid PIR setting must be explicitly defined. When the <b>rate</b> command has not been executed, the default PIR of <b>max</b> is assumed.</p> <p>Fractional values are not allowed and must be given as a positive integer.</p> <p>The actual PIR rate is dependent on the queue's <b>adaptation-rule</b> parameters and the actual hardware where the queue is provisioned.</p> <p><b>Values</b> [1 to 2000000000   <b>max</b>] Kbps</p> <p><b>Default</b> max</p> <p><i>cir-rate</i> — The <b>cir</b> parameter overrides the default administrative CIR used by the queue. When the <b>rate</b> command is executed, a CIR setting is optional. When the <b>rate</b> command has not been executed or the <b>cir</b> parameter is not explicitly specified, the default CIR (0) is assumed.</p> <p>Fractional values are not allowed and must be given as a positive integer.</p> <p><b>Values</b> [0 to 2000000000   <b>max</b>] Kbps</p> <p><b>Default</b> 0</p>                                                                                                                                                                                                                                                                                                                                                                                                                                                                                                                                                                   |

**police** — Specifies that the out of profile traffic feeding into the physical queue instance should be dropped. Using this keyword will override the bandwidth specified by the SAP ingress queue's administrative CIR.

If the **police** keyword is not specified, the individual queue group overrides may override both the defined shaping rate and the cir defined profiling rate. When police is defined, only the policing rate may be overridden.

## policer

|                    |                                                                                                                                                       |
|--------------------|-------------------------------------------------------------------------------------------------------------------------------------------------------|
| <b>Syntax</b>      | <b>policer</b> <i>policer-id</i> [ <b>create</b> ]<br><b>no policer</b>                                                                               |
| <b>Context</b>     | cfg>qos>qgrps>ing>qgrp                                                                                                                                |
| <b>Description</b> | This command configures a QoS ingress queue-group policer.                                                                                            |
| <b>Default</b>     | none                                                                                                                                                  |
| <b>Parameters</b>  | <i>policer-id</i> — This required parameter identifies the queue-group policer that will either be created or edited within the queue group template. |
|                    | <b>Values</b> 1 to 32                                                                                                                                 |
|                    | <b>create</b> — This optional keyword creates an ingress queue-group policer.                                                                         |

## profile-capped

|                    |                                                   |
|--------------------|---------------------------------------------------|
| <b>Syntax</b>      | <b>profile-capped</b><br><b>no profile-capped</b> |
| <b>Context</b>     | cfg>qos>qgrps>ing>qgrp>policer                    |
| <b>Description</b> | This command enables a limit on the profile.      |
| <b>Default</b>     | no profile-capped                                 |

## packet-byte-offset

|                    |                                                                                                                      |
|--------------------|----------------------------------------------------------------------------------------------------------------------|
| <b>Syntax</b>      | <b>packet-byte-offset</b> { <b>add</b> <i>bytes</i>   <b>subtract</b> <i>bytes</i> }<br><b>no packet-byte-offset</b> |
| <b>Context</b>     | cfg>qos>qgrps>ing>qgrp>policer                                                                                       |
| <b>Description</b> | This command configures a packet byte offset for the QoS ingress queue-group policer.                                |
| <b>Default</b>     | none                                                                                                                 |

## QoS Queue Group Template Command Reference

- Parameters** *add bytes* — Specifies an number of bytes to add as the offset amount.  
**Values** 0 to 31
- subtract bytes* — Specifies an number of bytes to add as the offset amount.  
**Values** 1 to 32

### parent

- Syntax** **parent** {**root** | *arbiter-name*} [**level** *level*] [**weight** *weight-within-level*]  
**no parent**
- Context** config>qos>qgrpid>ing>qgrp>policer
- Description** This command defines an optional parent scheduler that further governs the available bandwidth given the queue aside from the queue's PIR setting. When multiple schedulers and/or queues share a child status with the parent scheduler, the **weight** or **level** parameters define how this queue contends with the other children for the parent's bandwidth.
- The **no** form of the command removes a child association with a parent scheduler. If a parent association does not currently exist, the command has no effect and returns without an error. Once a parent association has been removed, the former child queue attempts to operate based on its configured rate parameter. Removing the parent association on the queue within the policy takes effect immediately on all queues using the SAP egress QoS policy.
- Parameters** **root** — Selects the root level arbiter for the parent to the child.  
*arbiter-name* — Specifies an arbiter for the parent to the child.  
**Values** Any string up to 32 characters long composed of printable, 7-bit ASCII characters. If the string contains special characters (#, \$, spaces, etc.), the entire string must be enclosed within double quotes.  
**Default** None. Each parental association must be explicitly defined.  
*weight-within-level* — *weight* defines the relative weight of this queue in comparison to other child schedulers and queues while vying for bandwidth on the parent *scheduler-name*. Any queues or schedulers defined as weighted receive no parental bandwidth until all strict queues and schedulers on the parent have reached their maximum bandwidth or are idle. In this manner, weighted children are considered to be the lowest priority.



All **weight** values from all weighted active queues and schedulers with a common parent scheduler are added together. Then, each individual active weight is divided by the total, deriving the percentage of remaining bandwidth provided to the queue or scheduler after the strict children are serviced. A weight is considered to be active when the pertaining queue or scheduler has not reached its maximum rate and still has packets to transmit. All child queues and schedulers with a weight of 0 are considered to have the lowest priority level and are not serviced until all strict and non-zero weighted queues and schedulers are operating at the maximum bandwidth or are idle.

**Values** 0 to 100

**Default** 1

*level* — The optional **level** parameter defines the level of hierarchy when compared to other schedulers and queues when vying for bandwidth on the parent *scheduler-name*. Any queues or schedulers defined as **strict** receive no parental bandwidth until all strict queues and schedulers with a higher (numerically larger) priority on the parent have reached their maximum bandwidth or are idle.

Children of the parent scheduler with a lower strict priority or that are weighted will not receive bandwidth until all children with a higher strict priority have either reached their maximum bandwidth or are idle. Children with the same strict level are serviced in a round robin fashion.

**Values** 1 to 8

**Default** 1

## stat-mode

|                    |                                                                                                                                                                                                                                                                                                                                                                                                                                                                                                                                                                                                                                                                                                                                                                            |
|--------------------|----------------------------------------------------------------------------------------------------------------------------------------------------------------------------------------------------------------------------------------------------------------------------------------------------------------------------------------------------------------------------------------------------------------------------------------------------------------------------------------------------------------------------------------------------------------------------------------------------------------------------------------------------------------------------------------------------------------------------------------------------------------------------|
| <b>Syntax</b>      | <b>stat-mode</b> { <b>no-stats</b>   <b>minimal</b>   <b>offered-profile-no-cir</b>   <b>offered-priority-no-cir</b>   <b>offered-limited-profile-cir</b>   <b>offered-profile-cir</b>   <b>offered-priority-cir</b>   <b>offered-total-cir</b>   <b>offered-profile-capped-cir</b>   <b>offered-limited-capped-cir</b> }                                                                                                                                                                                                                                                                                                                                                                                                                                                  |
| <b>Context</b>     | cfg>qos>qgrps>ing>qgrp>policer                                                                                                                                                                                                                                                                                                                                                                                                                                                                                                                                                                                                                                                                                                                                             |
| <b>Description</b> | This command selects the statistics mode for the QoS ingress queue-group policer.                                                                                                                                                                                                                                                                                                                                                                                                                                                                                                                                                                                                                                                                                          |
| <b>Default</b>     | none                                                                                                                                                                                                                                                                                                                                                                                                                                                                                                                                                                                                                                                                                                                                                                       |
| <b>Parameters</b>  | <p><b>no-stat</b> — Selects no statistics as the statistics mode.</p> <p><b>minimal</b> — Selects minimal statistics as the statistics mode.</p> <p><b>offered-profile-no-cir</b> — Selects no offered profile CIR statistics as the statistics mode.</p> <p><b>offered-priority-no-cir</b> — Selects no offered priority CIR statistics as the statistics mode.</p> <p><b>offered-limited-profile-cir</b> — Selects limited profile CIR statistics as the statistics mode.</p> <p><b>offered-profile-cir</b> — Selects offered profile CIR statistics as the statistics mode.</p> <p><b>offered-priority-cir</b> — Selects offered priority CIR statistics as the statistics mode.</p> <p><b>offered-total-cir</b> — Selects total statistics as the statistics mode.</p> |

## QoS Queue Group Template Command Reference

**offered-profile-capped-cir** — Selects offered profile capped statistics as the statistics mode.

**offered-limited-capped-cir** — Selects offered limited capped statistics as the statistics mode.

### Show Commands

The command outputs in the following section are examples only; actual displays may differ depending on supported functionality and user configuration.

#### queue-group

**Syntax** **queue-group** [*queue-group-name*] [**ingress** | **egress**] [**association** | **detail** | **summary**]  
**queue-group summary**

**Context** show>qos

**Description** This command displays queue-group information.

**Parameters** *queue-group-name* — Specifies the name of an existing queue group template up to 32 characters in length.

**ingress** — Specifies whether the queue group name is an ingress policy.

**egress** — Specifies whether the queue group name is an egress policy.

**associations** — Displays the entities associated with the specified queue group name.

**detail** — Displays detailed queue group information for the specified queue group name.

**summary** — Displays the total number of queue-group instance per card (IOM or XCM).

#### Output

##### Sample Output

```
*A:Dut-T>cfg>qos>qgrps>egr>qgrp# show qos queue-group egress
=====
Queue Group Egress
=====
Group-Name Description

QG_egress_1 Egress queue group
=====
*A:Dut-T#

*A:Dut-T# show qos queue-group egress QG_egress_1 detail
=====
QoS Queue-Group Egress
=====

QoS Queue Group
```

## Queue Sharing and Redirection

```

Group-Name : QG_egress_1
Description : Egress queue group

Queue CIR Admin PIR Admin CBS HiPrio PIR Lvl/Wt Parent
 CIR Rule PIR Rule MBS CIR Lvl/Wt
 Named-Buffer Pool

1 0 max def def 1/1 None
 closest closest 100
 (not-assigned)
2 0 max def def 1/1 None
 closest closest 100
 (not-assigned)
3 0 max def def 1/1 None
 closest closest 100
 (not-assigned)
4 0 max def def 1/1 None
 closest closest 100
 (not-assigned)
=====
Queue Group Ports (access)
=====
Port Sched Pol Acctg Pol Stats Description

9/2/1 0 No
9/2/2 0 No

Queue Group Ports (network)
=====
Port Sched Pol Acctg Pol Stats Description

6/1/1 0 No

Queue Group Sap FC Maps
=====
Sap Policy FC Name Queue Id

10 af 2
10 be 1
10 ef 3
10 nc 4

Entries found: 4

*A:Dut-T#

*A:Dut-T# show qos queue-group egress QG_egress_1 association
=====
QoS Queue-Group Egress
=====
QoS Queue Group

Group-Name : QG_egress_1

```

## QoS Queue Group Template Command Reference

```

Description : Egress queue group
=====
Queue Group Ports (access)
=====
Port Sched Pol Acctg Pol Stats Description

9/2/1 0 No
9/2/2 0 No

Queue Group Ports (network)
=====
Port Sched Pol Acctg Pol Stats Description

6/1/1 0 No

Queue Group Sap FC Maps
=====
Sap Policy FC Name Queue Id

10 af 2
10 be 1
10 ef 3
10 nc 4

Entries found: 4

*A:Dut-T#
*A:Dut-T# show qos queue-group summary
=====
card | access-ingress | access-egress | network-egress

 1 | 60 | 2047 | 0
 2 | 60 | 0 | 2047
=====
Total ingress QG templates per system: <num>
Total egress QG templates per system: <num>

```

The total number of queue-group instance per card (IOM or XCM).

```

*A:Dut-T# show qos queue-group ingress
=====
Queue Group Ingress
=====
Group-Name Description

QG_ingress_1 Ingress queue-group
=====
*A:Dut-T#

*A:Dut-T# show qos queue-group ingress detail
=====
QoS Queue-Group Ingress
=====

```

## Queue Sharing and Redirection

```

QoS Queue Group

Group-Name : QG_ingress_1
Description : Ingress queue-group

Queue Mode CIR Admin PIR Admin CBS HiPrio PIR Lvl/Wt Parent
 CIR Rule PIR Rule MBS HiPrio CIR Lvl/Wt
 Named-Buffer Pool

1 Prio 0 max def def 1/1 None
 closest closest 100
 (not-assigned)
2 Prio 0 max def def 1/1 None
 closest closest 100
 (not-assigned)
3 Prio 0 max def def 1/1 None
 closest closest 100
 (not-assigned)
4 Prio 0 max def def 1/1 None
 closest closest 100
 (not-assigned)

=====
Queue Group Ports
=====
Port Sched Pol Acctg Pol Stats Description

9/2/1 0 0 No
9/2/2 0 0 No

=====
Queue Group Sap FC Maps
=====
Sap Policy FC Name Queue (id type)

10 af (2 Unicast)
10 be (1 Unicast)
10 ef (3 Unicast)
10 nc (4 Unicast)

Entries found: 4

*A:Dut-T#

*A:Dut-T# show qos queue-group ingress association
=====
QoS Queue-Group Ingress
=====

QoS Queue Group

Group-Name : QG_ingress_1
Description : Ingress queue-group

Queue Group Ports
=====

```

## QoS Queue Group Template Command Reference

```

Port Sched Pol Acctg Pol Stats Description

9/2/1
9/2/2

=====
Queue Group Sap FC Maps
=====
Sap Policy FC Name Queue (id type)

10 af (2 Unicast)
10 be (1 Unicast)
10 ef (3 Unicast)
10 nc (4 Unicast)

Entries found: 4

=====
*A:Dut-T#

*A:Dut-T# show qos queue-group summary
=====
Queue-group instances per card
=====
card port-acc-ing port-acc-egr port-nw-egr fp-acc-ing fp-nw-ing

1 0 0 0 0 0
2 0 0 0 0 0
3 0 0 0 0 0
4 0 2 1000 0 500
5 0 0 0 0 0
6 0 0 0 0 0
7 0 0 0 0 0
8 0 0 0 0 0
9 0 2 1000 0 500
10 0 0 0 0 0
11 0 0 0 0 0
12 0 0 0 0 0

Total ingress QG templates per system : 3
Total egress QG templates per system : 5
=====
*A:Dut-T#

```

### Related queue-group command output:

```

*A:Dut-T# show card 9 fp 1 ingress queue-group "QGIng1" mode network instance 1
statistics
=====
Card:9 Net.QGrp: QGIng1 Instance: 1
=====
Group Name : QGIng1
Description : (Not Specified)
Pol Ctl Pol : pcp Acct Pol : None
Collect Stats : disabled

Statistics

```

## Queue Sharing and Redirection

|                                                    | Packets  | Octets      |
|----------------------------------------------------|----------|-------------|
| Ing. Policer: 1 Grp: QGIng1 (Stats mode: minimal)  |          |             |
| Off. All :                                         | 91836202 | 91465530792 |
| Dro. All :                                         | 6678807  | 6649127172  |
| For. All :                                         | 85157395 | 84816403620 |
| Ing. Policer: 2 Grp: QGIng1 (Stats mode: minimal)  |          |             |
| Off. All :                                         | 93584703 | 90933906888 |
| Dro. All :                                         | 8320200  | 6106644900  |
| For. All :                                         | 85264503 | 84827261988 |
| Ing. Policer: 3 Grp: QGIng1 (Stats mode: minimal)  |          |             |
| Off. All :                                         | 93584703 | 90933906888 |
| Dro. All :                                         | 8320049  | 6106288404  |
| For. All :                                         | 85264654 | 84827618484 |
| Ing. Policer: 4 Grp: QGIng1 (Stats mode: minimal)  |          |             |
| Off. All :                                         | 93584703 | 90933906888 |
| Dro. All :                                         | 8326509  | 6110568864  |
| For. All :                                         | 85258194 | 84823338024 |
| Ing. Policer: 5 Grp: QGIng1 (Stats mode: minimal)  |          |             |
| Off. All :                                         | 93584703 | 90933906888 |
| Dro. All :                                         | 24877143 | 22616873028 |
| For. All :                                         | 68707560 | 68317033860 |
| Ing. Policer: 6 Grp: QGIng1 (Stats mode: minimal)  |          |             |
| Off. All :                                         | 93434643 | 90919501128 |
| Dro. All :                                         | 24727111 | 22602499656 |
| For. All :                                         | 68707532 | 68317001472 |
| Ing. Policer: 7 Grp: QGIng1 (Stats mode: minimal)  |          |             |
| Off. All :                                         | 93584703 | 90933906888 |
| Dro. All :                                         | 24877214 | 22616941944 |
| For. All :                                         | 68707489 | 68316964944 |
| Ing. Policer: 8 Grp: QGIng1 (Stats mode: minimal)  |          |             |
| Off. All :                                         | 93430663 | 90919119048 |
| Dro. All :                                         | 24723280 | 22602263280 |
| For. All :                                         | 68707383 | 68316855768 |
| Ing. Policer: 9 Grp: QGIng1 (Stats mode: minimal)  |          |             |
| Off. All :                                         | 0        | 0           |
| Dro. All :                                         | 0        | 0           |
| For. All :                                         | 0        | 0           |
| Ing. Policer: 10 Grp: QGIng1 (Stats mode: minimal) |          |             |
| Off. All :                                         | 0        | 0           |
| Dro. All :                                         | 0        | 0           |
| For. All :                                         | 0        | 0           |
| Ing. Policer: 11 Grp: QGIng1 (Stats mode: minimal) |          |             |
| Off. All :                                         | 0        | 0           |
| Dro. All :                                         | 0        | 0           |
| For. All :                                         | 0        | 0           |
| Ing. Policer: 12 Grp: QGIng1 (Stats mode: minimal) |          |             |
| Off. All :                                         | 0        | 0           |

## QoS Queue Group Template Command Reference

```

Dro. All : 0 0
For. All : 0 0

Ing. Policer: 13 Grp: QGIng1 (Stats mode: minimal)
Off. All : 0 0
Dro. All : 0 0
For. All : 0 0

Ing. Policer: 14 Grp: QGIng1 (Stats mode: minimal)
Off. All : 0 0
Dro. All : 0 0
For. All : 0 0

Ing. Policer: 15 Grp: QGIng1 (Stats mode: minimal)
Off. All : 0 0
Dro. All : 0 0
For. All : 0 0

Ing. Policer: 16 Grp: QGIng1 (Stats mode: minimal)
Off. All : 0 0
Dro. All : 0 0
For. All : 0 0
=====
*A:Dut-T#

*A:Dut-T# show qos policer-hierarchy card 9 fp 1 queue-group "QGIng1" ingress instance
1 detail
=====
Policer Hierarchy - Card: 9 Queue-Group: QGIng1
=====
Ingress Policer Policy :

Legend :
(*) real-time dynamic value
(w) Wire rates

root (Ing)
|
No Active Access Members Found on slot 9

|
| slot(9) (Network)
| Profile-preferred:Disabled
| MaxPIR:1500
| ConsumedByChildren:1500
| OperPIR:1500 OperFIR:1500
|
| DepthPIR:205904 bytes
| Priority 8
| Oper Thresh Unfair:311296 Oper Thresh Fair:425984
| Association count:0
| Priority 7
| Oper Thresh Unfair:311296 Oper Thresh Fair:425984
| Association count:0
| Priority 6
| Oper Thresh Unfair:311296 Oper Thresh Fair:425984
| Association count:0
| Priority 5

```



## Queue Sharing and Redirection

```
Oper Thresh Unfair:311296 Oper Thresh Fair:425984
Association count:0
Priority 4
Oper Thresh Unfair:311296 Oper Thresh Fair:425984
Association count:0
Priority 3
Oper Thresh Unfair:311296 Oper Thresh Fair:425984
Association count:0
Priority 2
Oper Thresh Unfair:311296 Oper Thresh Fair:425984
Association count:4
Priority 1
Oper Thresh Unfair:102400 Oper Thresh Fair:204800
Association count:4

--(A) : DATA (QGrp: QGIngl Instance: 1)
|
| MaxPIR:max
| ConsumedByChildren:500
| OperPIR:500 OperFIR:500
|
| [Level 1 Weight 1]
| Assigned PIR:500 Offered:41603
| Consumed:500
|
| Assigned FIR:500
|
--(P) : Policer Net-FPQG-1-T3:1->4
|
| MaxPIR:max MaxCIR:0
| CBS:0 MBS:20480
| HiPrio:2048
| Depth:1184
|
| OperPIR:128 OperCIR:0
| OperFIR:128
| PacketByteOffset:0
| StatMode: minimal
|
| [Level 1 Weight 1]
| Assigned PIR:125 Offered:9966
| Consumed:125
|
| Assigned FIR:125
|
--(P) : Policer Net-FPQG-1-T3:1->3
|
| MaxPIR:max MaxCIR:0
| CBS:0 MBS:20480
| HiPrio:2048
| Depth:18256
|
| OperPIR:128 OperCIR:0
| OperFIR:128
| PacketByteOffset:0
| StatMode: minimal
|
| [Level 1 Weight 1]
| Assigned PIR:125 Offered:9966
| Consumed:125
|
| Assigned FIR:125
```

## QoS Queue Group Template Command Reference

```
--(P) : Policer Net-FPQG-1-T3:1->2
 |
 | MaxPIR:max MaxCIR:0
 | CBS:0 MBS:20480
 | HiPrio:2048
 | Depth:18944
 |
 | OperPIR:128 OperCIR:0
 | OperFIR:128
 | PacketByteOffset:0
 | StatMode: minimal
 |
 | [Level 1 Weight 1]
 | Assigned PIR:125 Offered:9967
 | Consumed:125
 |
 | Assigned FIR:125
 |
--(P) : Policer Net-FPQG-1-T3:1->1
 |
 | MaxPIR:max MaxCIR:0
 | CBS:0 MBS:20480
 | HiPrio:2048
 | Depth:19024
 |
 | OperPIR:128 OperCIR:0
 | OperFIR:128
 | PacketByteOffset:0
 | StatMode: minimal
 |
 | [Level 1 Weight 1]
 | Assigned PIR:125 Offered:11724
 | Consumed:125
 |
 | Assigned FIR:125
 |
--(A) : HIGH (QGrp: QGIng1 Instance: 1)
 |
 | MaxPIR:1000
 | ConsumedByChildren:1000
 | OperPIR:1000 OperFIR:1000
 |
 | [Level 2 Weight 1]
 | Assigned PIR:1000 Offered:1000
 | Consumed:1000
 |
 | Assigned FIR:1000
 |
--(P) : Policer Net-FPQG-1-T3:1->8
 |
 | MaxPIR:max MaxCIR:0
 | CBS:0 MBS:20480
 | HiPrio:2048
 | Depth:21353
 |
 | OperPIR:250 OperCIR:0
 | OperFIR:250
 | PacketByteOffset:0
 | StatMode: minimal
 |
 | [Level 1 Weight 1]
 | Assigned PIR:250 Offered:9966
```

```

Consumed:250
Assigned FIR:250
--(P) : Policer Net-FPQG-1-T3:1->7
MaxPIR:max MaxCIR:0
CBS:0 MBS:20480
HiPrio:2048
Depth:21065

OperPIR:250 OperCIR:0
OperFIR:250
PacketByteOffset:0
StatMode: minimal

[Level 1 Weight 1]
Assigned PIR:250 Offered:9967
Consumed:250

Assigned FIR:250

--(P) : Policer Net-FPQG-1-T3:1->6
MaxPIR:max MaxCIR:0
CBS:0 MBS:20480
HiPrio:2048
Depth:21353

OperPIR:250 OperCIR:0
OperFIR:250
PacketByteOffset:0
StatMode: minimal

[Level 1 Weight 1]
Assigned PIR:250 Offered:9967
Consumed:250

Assigned FIR:250

--(P) : Policer Net-FPQG-1-T3:1->5
MaxPIR:max MaxCIR:0
CBS:0 MBS:20480
HiPrio:2048
Depth:21065

OperPIR:250 OperCIR:0
OperFIR:250
PacketByteOffset:0
StatMode: minimal

[Level 1 Weight 1]
Assigned PIR:250 Offered:9967
Consumed:250

Assigned FIR:250

```

-----  
\*A:Dut-T#

## QoS Queue Group Template Command Reference

```
*A:Dut-T# show qos policer port 9/2/4 network egress queue-group "QGEgr1" instance 1
=====
Policer Information (Summary), Slot 9
=====

Name FC-Maps MBS HP-Only A.PIR A.CIR
Direction CBS Depth O.PIR O.CIR O.FIR

Net-PQG-9/2/4-QGEgr1:1->8
Egress 64 KB 8 KB Max 0
 0 KB 1026 Max 0 Max
Net-PQG-9/2/4-QGEgr1:1->7
Egress 64 KB 8 KB Max 0
 0 KB 1026 Max 0 Max
Net-PQG-9/2/4-QGEgr1:1->6
Egress 64 KB 8 KB Max 0
 0 KB 1026 Max 0 Max
Net-PQG-9/2/4-QGEgr1:1->5
Egress 64 KB 8 KB Max 0
 0 KB 1026 Max 0 Max
Net-PQG-9/2/4-QGEgr1:1->4
Egress 64 KB 8 KB Max 0
 0 KB 1026 Max 0 Max
Net-PQG-9/2/4-QGEgr1:1->3
Egress 64 KB 8 KB Max 0
 0 KB 1026 Max 0 Max
Net-PQG-9/2/4-QGEgr1:1->2
Egress 64 KB 8 KB Max 0
 0 KB 1026 Max 0 Max
Net-PQG-9/2/4-QGEgr1:1->1
Egress 64 KB 8 KB Max 0
 0 KB 1026 Max 0 Max
=====
*A:Dut-T#
```

```
*A:Dut-T# show qos policer port 9/2/4 network egress queue-group "QGEgr1" instance 1
detail
=====
Policer Info (Net-PQG-9/2/4-QGEgr1:1->8), Slot 9
=====
Policer Name : Net-PQG-9/2/4-QGEgr1:1->8
Direction : Egress Fwding Plane : 1
Depth PIR : 1026 Bytes Depth CIR : 0 Bytes
Depth FIR : 1026 Bytes
MBS : 64 KB CBS : 0 KB
Hi Prio Only : 8 KB Pkt Byte Offset : 0
Admin PIR : Max Admin CIR : 0 Kbps
Oper PIR : Max Oper CIR : 0 Kbps
Oper FIR : Max
Stat Mode : minimal
Parent Arbiter Name: (Not Specified)

Arbiter Member Information

Offered Rate : 0 Kbps
Level : 0 Weight : 0
Parent PIR : 0 Kbps Parent FIR : 0 Kbps
```

```

Consumed : 0 Kbps

=====
Policer Info (Net-PQG-9/2/4-QGEgr1:1->7), Slot 9
=====
Policer Name : Net-PQG-9/2/4-QGEgr1:1->7
Direction : Egress Fwding Plane : 1
Depth PIR : 1026 Bytes Depth CIR : 0 Bytes
Depth FIR : 1026 Bytes
MBS : 64 KB CBS : 0 KB
Hi Prio Only : 8 KB Pkt Byte Offset : 0
Admin PIR : Max Admin CIR : 0 Kbps
Oper PIR : Max Oper CIR : 0 Kbps
Oper FIR : Max
Stat Mode : minimal
Parent Arbiter Name: (Not Specified)

Arbiter Member Information

Offered Rate : 0 Kbps
Level : 0 Weight : 0
Parent PIR : 0 Kbps Parent FIR : 0 Kbps
Consumed : 0 Kbps

=====
Policer Info (Net-PQG-9/2/4-QGEgr1:1->6), Slot 9
=====
Policer Name : Net-PQG-9/2/4-QGEgr1:1->6
Direction : Egress Fwding Plane : 1
Depth PIR : 1026 Bytes Depth CIR : 0 Bytes
Depth FIR : 1026 Bytes
MBS : 64 KB CBS : 0 KB
Hi Prio Only : 8 KB Pkt Byte Offset : 0
Admin PIR : Max Admin CIR : 0 Kbps
Oper PIR : Max Oper CIR : 0 Kbps
Oper FIR : Max
Stat Mode : minimal
Parent Arbiter Name: (Not Specified)

Arbiter Member Information

Offered Rate : 0 Kbps
Level : 0 Weight : 0
Parent PIR : 0 Kbps Parent FIR : 0 Kbps
Consumed : 0 Kbps

=====
Policer Info (Net-PQG-9/2/4-QGEgr1:1->5), Slot 9
=====
Policer Name : Net-PQG-9/2/4-QGEgr1:1->5
Direction : Egress Fwding Plane : 1
Depth PIR : 1026 Bytes Depth CIR : 0 Bytes
Depth FIR : 1026 Bytes
MBS : 64 KB CBS : 0 KB
Hi Prio Only : 8 KB Pkt Byte Offset : 0
Admin PIR : Max Admin CIR : 0 Kbps

```

## QoS Queue Group Template Command Reference

```
Oper PIR : Max Oper CIR : 0 Kbps
Oper FIR : Max
Stat Mode : minimal
Parent Arbiter Name: (Not Specified)
```

---

### Arbiter Member Information

---

```
Offered Rate : 0 Kbps
Level : 0 Weight : 0
Parent PIR : 0 Kbps Parent FIR : 0 Kbps
Consumed : 0 Kbps
```

---

### Policer Info (Net-PQG-9/2/4-QGEgr1:1->4), Slot 9

---

```
Policer Name : Net-PQG-9/2/4-QGEgr1:1->4
Direction : Egress Fwding Plane : 1
Depth PIR : 1026 Bytes Depth CIR : 0 Bytes
Depth FIR : 1026 Bytes
MBS : 64 KB CBS : 0 KB
Hi Prio Only : 8 KB Pkt Byte Offset : 0
Admin PIR : Max Admin CIR : 0 Kbps
Oper PIR : Max Oper CIR : 0 Kbps
Oper FIR : Max
Stat Mode : minimal
Parent Arbiter Name: (Not Specified)
```

---

### Arbiter Member Information

---

```
Offered Rate : 0 Kbps
Level : 0 Weight : 0
Parent PIR : 0 Kbps Parent FIR : 0 Kbps
Consumed : 0 Kbps
```

---

### Policer Info (Net-PQG-9/2/4-QGEgr1:1->3), Slot 9

---

```
Policer Name : Net-PQG-9/2/4-QGEgr1:1->3
Direction : Egress Fwding Plane : 1
Depth PIR : 1026 Bytes Depth CIR : 0 Bytes
Depth FIR : 1026 Bytes
MBS : 64 KB CBS : 0 KB
Hi Prio Only : 8 KB Pkt Byte Offset : 0
Admin PIR : Max Admin CIR : 0 Kbps
Oper PIR : Max Oper CIR : 0 Kbps
Oper FIR : Max
Stat Mode : minimal
Parent Arbiter Name: (Not Specified)
```

---

### Arbiter Member Information

---

```
Offered Rate : 0 Kbps
Level : 0 Weight : 0
Parent PIR : 0 Kbps Parent FIR : 0 Kbps
Consumed : 0 Kbps
```

---

## Queue Sharing and Redirection

```
=====
Policer Info (Net-PQG-9/2/4-QGEgr1:1->2), Slot 9
=====
Policer Name : Net-PQG-9/2/4-QGEgr1:1->2
Direction : Egress Fwding Plane : 1
Depth PIR : 1026 Bytes Depth CIR : 0 Bytes
Depth FIR : 1026 Bytes
MBS : 64 KB CBS : 0 KB
Hi Prio Only : 8 KB Pkt Byte Offset : 0
Admin PIR : Max Admin CIR : 0 Kbps
Oper PIR : Max Oper CIR : 0 Kbps
Oper FIR : Max
Stat Mode : minimal
Parent Arbiter Name: (Not Specified)

Arbiter Member Information

Offered Rate : 0 Kbps
Level : 0 Weight : 0
Parent PIR : 0 Kbps Parent FIR : 0 Kbps
Consumed : 0 Kbps

Policer Info (Net-PQG-9/2/4-QGEgr1:1->1), Slot 9
=====
Policer Name : Net-PQG-9/2/4-QGEgr1:1->1
Direction : Egress Fwding Plane : 1
Depth PIR : 1026 Bytes Depth CIR : 0 Bytes
Depth FIR : 1026 Bytes
MBS : 64 KB CBS : 0 KB
Hi Prio Only : 8 KB Pkt Byte Offset : 0
Admin PIR : Max Admin CIR : 0 Kbps
Oper PIR : Max Oper CIR : 0 Kbps
Oper FIR : Max
Stat Mode : minimal
Parent Arbiter Name: (Not Specified)

Arbiter Member Information

Offered Rate : 0 Kbps
Level : 0 Weight : 0
Parent PIR : 0 Kbps Parent FIR : 0 Kbps
Consumed : 0 Kbps

Network Interface Association

No Association Found.

SDP Association

Policer Info (1->1:101->10), Slot 9
Policer Info (1->2:102->10), Slot 9
Policer Info (1->3:103->10), Slot 9
Policer Info (1->4:104->10), Slot 9
```

## QoS Queue Group Template Command Reference

```
Policer Info (1->5:105->10), Slot 9
Policer Info (1->6:106->10), Slot 9
Policer Info (1->7:107->10), Slot 9
Policer Info (1->8:108->10), Slot 9
Policer Info (1->9:109->10), Slot 9
Policer Info (1->10:110->10), Slot 9
Policer Info (1->11:111->10), Slot 9
Policer Info (1->12:112->10), Slot 9
Policer Info (1->13:113->10), Slot 9
Policer Info (1->14:114->10), Slot 9
Policer Info (1->15:115->10), Slot 9
Policer Info (1->16:116->10), Slot 9
```

```
*A:Dut-T# show port 9/2/4 queue-group egress "QGEgr1" statistics instance 1
```

```

Ethernet port 9/2/4 Network Egress queue-group

```

|                       | Packets       | Octets         |
|-----------------------|---------------|----------------|
| Egress Queue: 1       | Group: QGEgr1 | Instance-Id: 1 |
| In Profile forwarded  | : 0           | 0              |
| In Profile dropped    | : 0           | 0              |
| Out Profile forwarded | : 0           | 0              |
| Out Profile dropped   | : 0           | 0              |
| Egress Policer: 1     | Group: QGEgr1 | Instance-Id: 1 |
| Stats mode: minimal   |               |                |
| Off. All              | : 22133354    | 22708821204    |
| Dro. All              | : 0           | 0              |
| For. All              | : 22133354    | 22708821204    |
| Egress Policer: 2     | Group: QGEgr1 | Instance-Id: 1 |
| Stats mode: minimal   |               |                |
| Off. All              | : 22133354    | 22708821204    |
| Dro. All              | : 0           | 0              |
| For. All              | : 22133354    | 22708821204    |
| Egress Policer: 3     | Group: QGEgr1 | Instance-Id: 1 |
| Stats mode: minimal   |               |                |
| Off. All              | : 22133354    | 22708821204    |
| Dro. All              | : 0           | 0              |
| For. All              | : 22133354    | 22708821204    |
| Egress Policer: 4     | Group: QGEgr1 | Instance-Id: 1 |
| Stats mode: minimal   |               |                |
| Off. All              | : 22133354    | 22708821204    |
| Dro. All              | : 0           | 0              |
| For. All              | : 22133354    | 22708821204    |
| Egress Policer: 5     | Group: QGEgr1 | Instance-Id: 1 |
| Stats mode: minimal   |               |                |
| Off. All              | : 22133355    | 22708822230    |
| Dro. All              | : 0           | 0              |
| For. All              | : 22133355    | 22708822230    |
| Egress Policer: 6     | Group: QGEgr1 | Instance-Id: 1 |
| Stats mode: minimal   |               |                |
| Off. All              | : 22133355    | 22708822230    |



## Queue Sharing and Redirection

```
Dro. All : 0
For. All : 22133355 22708822230
```

```
Egress Policer: 7 Group: QGEgr1 Instance-Id: 1
Stats mode: minimal
Off. All : 22133355 22708822230
Dro. All : 0
For. All : 22133355 22708822230
```

```
Egress Policer: 8 Group: QGEgr1 Instance-Id: 1
Stats mode: minimal
Off. All : 22133355 22708822230
Dro. All : 0
For. All : 22133355 22708822230
```

```

*A:Dut-T#
```

```
*A:Dut-T# show port 9/2/4 queue-group egress "QGEgr1" network associations
```

```
=====
Ethernet port 9/2/4 Network Egress queue-group
=====
```

```
Queue-Group : QGEgr1 Queue-Id : 1
Queue-Group : QGEgr1 Policer-*: 1
Queue-Group : QGEgr1 Policer-*: 2
Queue-Group : QGEgr1 Policer-*: 3
Queue-Group : QGEgr1 Policer-*: 4
Queue-Group : QGEgr1 Policer-*: 5
Queue-Group : QGEgr1 Policer-*: 6
Queue-Group : QGEgr1 Policer-*: 7
Queue-Group : QGEgr1 Policer-*: 8
..
```

```
*A:Dut-T#
```

```
*A:Dut-T# show qos queue-group "QGIng1" ingress association
```

```
=====
QoS Queue-Group Ingress
=====
```

```

QoS Queue Group

```

```
Group-Name : QGIng1
Description : Description for Ingress queue-group QGIng1
```

```
=====
Queue Group Ports
=====
```

```
Port Sched Pol Acctg Pol Stats Description

```

```
No Matching Entries
```

```
=====
Queue Group Sap FC Maps
=====
```

```
Sap Policy FC Name Queue (id type)

```

```
No Matching Entries
```

```
=====
Queue Group FP Maps
=====
```

## QoS Queue Group Template Command Reference

```

=====
Card Num Fp Num Instance Type

4 1 1 Network
4 1 2 Network
4 1 3 Network
4 1 4 Network
4 1 5 Network
4 1 6 Network
4 1 7 Network
4 1 8 Network
4 1 9 Network
4 1 10 Network

clear card 4 fp 1 ingress mode network queue-group "QGIng1" instance 1 statistics

*A:Dut-T# monitor card 9 fp 1 ingress queue-group "QGIng1" network instance 1 policer 1
=====
Monitor Card: 9 Ingress Network Queue-Group: QGIng1 Statistics
=====

At time t = 0 sec (Base Statistics)

 Packets Octets

Ing. Policer: 1 Grp: QGIng1 (Stats mode: minimal)
Off. All : 98080861 97685211156
Dro. All : 12856083 12801694068
For. All : 85224778 84883517088

At time t = 11 sec (Mode: Delta)

 Packets Octets

Ing. Policer: 1 Grp: QGIng1 (Stats mode: minimal)
Off. All : 16190 16125240
Dro. All : 16010 15945960
For. All : 180 179280

^C
*A:Dut-T#

*A:Dut-T>config>qos>sap-ingress# show card 3 fp 1 ingress queue-group "QGIng3"
instance 1 mode access detail
=====
Card:3 Acc.QGrp: QGIng3 Instance: 1
=====
Group Name : QGIng3
Description : (Not Specified)
Pol Ctl Pol : None Acct Pol : None
Collect Stats : disabled

Queues

```

## Queue Sharing and Redirection

No queues found

-----  
 Statistics  
 -----

|                                                                      | Packets  | Octets     |
|----------------------------------------------------------------------|----------|------------|
| Ing. Policer: 1 Grp: QGIng3 (Stats mode: offered-profile-capped-cir) |          |            |
| Off. InProf :                                                        | 0        | 0          |
| Off. OutProf :                                                       | 0        | 0          |
| Off. Uncolor :                                                       | 22159073 | 1506816964 |
| Dro. InProf :                                                        | 0        | 0          |
| Dro. OutProf :                                                       | 0        | 0          |
| For. InProf :                                                        | 215642   | 14663656   |
| For. OutProf :                                                       | 21943431 | 1492153308 |

|                                                                      |           |             |
|----------------------------------------------------------------------|-----------|-------------|
| Ing. Policer: 2 Grp: QGIng3 (Stats mode: offered-profile-capped-cir) |           |             |
| Off. InProf :                                                        | 0         | 0           |
| Off. OutProf :                                                       | 0         | 0           |
| Off. Uncolor :                                                       | 274898620 | 18693106160 |
| Dro. InProf :                                                        | 0         | 0           |
| Dro. OutProf :                                                       | 0         | 0           |
| For. InProf :                                                        | 1640582   | 111559576   |
| For. OutProf :                                                       | 273258038 | 18581546584 |

|                                                                      |          |            |
|----------------------------------------------------------------------|----------|------------|
| Ing. Policer: 3 Grp: QGIng3 (Stats mode: offered-profile-capped-cir) |          |            |
| Off. InProf :                                                        | 0        | 0          |
| Off. OutProf :                                                       | 0        | 0          |
| Off. Uncolor :                                                       | 19318482 | 1313656776 |
| Dro. InProf :                                                        | 0        | 0          |
| Dro. OutProf :                                                       | 0        | 0          |
| For. InProf :                                                        | 188072   | 12788896   |
| For. OutProf :                                                       | 19130410 | 1300867880 |

|                                                                      |          |            |
|----------------------------------------------------------------------|----------|------------|
| Ing. Policer: 4 Grp: QGIng3 (Stats mode: offered-profile-capped-cir) |          |            |
| Off. InProf :                                                        | 0        | 0          |
| Off. OutProf :                                                       | 0        | 0          |
| Off. Uncolor :                                                       | 24634863 | 1675170684 |
| Dro. InProf :                                                        | 0        | 0          |
| Dro. OutProf :                                                       | 0        | 0          |
| For. InProf :                                                        | 240244   | 16336592   |
| For. OutProf :                                                       | 24394619 | 1658834092 |

=====  
 \*A:Dut-T>config>qos>sap-ingress#

\*A:Dut-A# show card 9 fp 1 ingress mode access queue-group "Ingress\_QG\_1" instance  
 2838 statistics

=====  
 Card:9 Acc.QGrp: Ingress\_QG\_1 Instance: 2838  
 =====

Group Name : Ingress\_QG\_1  
 Description : (Not Specified)  
 Pol Ctl Pol : None Acct Pol : None  
 Collect Stats : disabled

-----  
 Statistics  
 -----

|  | Packets | Octets |
|--|---------|--------|
|--|---------|--------|

## QoS Queue Group Template Command Reference

```
Ing. Policer: 2 Grp: Ingress_QG_1 (Stats mode: minimal)
Off. All : 53982387 6909745536
Dro. All : 50861158 6510228224
For. All : 3121229 399517312
=====

*A:Dut-A# show card 9 fp 1 ingress mode access queue-group "Ingress_QG_1" instance 2838

=====
Card:9 Acc.QGrp: Ingress_QG_1 Instance: 2838
=====
Group Name : Ingress_QG_1
Description : (Not Specified)
Pol Ctl Pol : None Acct Pol : None
Collect Stats : disabled
=====
*A:Dut-A# show card 9 fp 1 ingress mode access queue-group "Ingress_QG_1" instance
2838 detail

=====
Card:9 Acc.QGrp: Ingress_QG_1 Instance: 2838
=====
Group Name : Ingress_QG_1
Description : (Not Specified)
Pol Ctl Pol : None Acct Pol : None
Collect Stats : disabled

Queues

No queues found

Statistics

 Packets Octets

Ing. Policer: 2 Grp: Ingress_QG_1 (Stats mode: minimal)
Off. All : 65347348 8364460544
Dro. All : 61569092 7880843776
For. All : 3778256 483616768
=====

*A:Dut-A# show card 9 fp 1 ingress mode access queue-group "Ingress_QG_1" instance
2838 statistics

=====
Card:9 Acc.QGrp: Ingress_QG_1 Instance: 2838
=====
Group Name : Ingress_QG_1
Description : (Not Specified)
Pol Ctl Pol : None Acct Pol : None
Collect Stats : disabled

Statistics

 Packets Octets

Ing. Policer: 2 Grp: Ingress_QG_1 (Stats mode: minimal)
Off. All : 65347348 8364460544
Dro. All : 61569092 7880843776
For. All : 3778256 483616768
```

## Queue Sharing and Redirection

```
=====
*A:Dut-A# monitor card 9 fp 1 ingress access queue-group "Ingress_QG_1" instance 2838
policer 2

=====
Monitor Card: 9 Ingress Access Queue-Group: Ingress_QG_1 Statistics
=====

At time t = 0 sec (Base Statistics)

 Packets Octets

Ing. Policer: 2 Grp: Ingress_QG_1 (Stats mode: minimal)
Off. All : 133088161 17035284608
Dro. All : 125393700 16050393600
For. All : 7694461 984891008

At time t = 11 sec (Mode: Delta)

 Packets Octets

Ing. Policer: 2 Grp: Ingress_QG_1 (Stats mode: minimal)
Off. All : 9306452 1191225856
Dro. All : 8768431 1122359168
For. All : 538021 68866688

At time t = 22 sec (Mode: Delta)

 Packets Octets

Ing. Policer: 2 Grp: Ingress_QG_1 (Stats mode: minimal)
Off. All : 9290787 1189220736
Dro. All : 8754737 1120606336
For. All : 536050 68614400

At time t = 33 sec (Mode: Delta)

 Packets Octets

Ing. Policer: 2 Grp: Ingress_QG_1 (Stats mode: minimal)
Off. All : 9291993 1189375104
Dro. All : 8753745 1120479360
For. All : 538248 68895744

At time t = 44 sec (Mode: Delta)

 Packets Octets

Ing. Policer: 2 Grp: Ingress_QG_1 (Stats mode: minimal)
Off. All : 9289980 1189117440
Dro. All : 8752910 1120372480
For. All : 537070 68744960

```

## QoS Queue Group Template Command Reference

At time t = 55 sec (Mode: Delta)

```

 Packets Octets

Ing. Policer: 2 Grp: Ingress_QG_1 (Stats mode: minimal)
Off. All : 9291543 1189317504
Dro. All : 8754385 1120561280
For. All : 537158 68756224

```

At time t = 66 sec (Mode: Delta)

```

 Packets Octets

Ing. Policer: 2 Grp: Ingress_QG_1 (Stats mode: minimal)
Off. All : 9290688 1189208064
Dro. All : 8753578 1120457984
For. All : 537110 68750080

```

At time t = 77 sec (Mode: Delta)

```

 Packets Octets

Ing. Policer: 2 Grp: Ingress_QG_1 (Stats mode: minimal)
Off. All : 9290745 1189215360
Dro. All : 8753631 1120464768
For. All : 537114 68750592

```

At time t = 88 sec (Mode: Delta)

```

 Packets Octets

Ing. Policer: 2 Grp: Ingress_QG_1 (Stats mode: minimal)
Off. All : 9290723 1189212544
Dro. All : 8753612 1120462336
For. All : 537111 68750208

```

At time t = 99 sec (Mode: Delta)

```

 Packets Octets

Ing. Policer: 2 Grp: Ingress_QG_1 (Stats mode: minimal)
Off. All : 9290589 1189195392
Dro. All : 8753485 1120446080
For. All : 537104 68749312

```

At time t = 110 sec (Mode: Delta)

```

 Packets Octets

Ing. Policer: 2 Grp: Ingress_QG_1 (Stats mode: minimal)
Off. All : 9290735 1189214080
Dro. All : 8753622 1120463616
For. All : 537113 68750464

```

```
=====
*A:Dut-A# clear card 9 fp 1 mode access ingress queue-group "Ingress_QG_1" instance
2838 statistics
```

## sap-egress

- Syntax** `sap-egress [policy-id] [association | match-criteria | hsmda | detail]`
- Context** `show>qos`
- Description** This command displays SAP egress QoS policy information. Queue group information is displayed in the FC section.
- Parameters**
  - policy-id* — The SAP egress policy ID that uniquely identifies the policy.
  - association** — Displays the entities associated with the specified policy ID.
  - match-criteria** — Displays match criteria when this keyword is specified.
  - hsmda** — Displays HSMDA properties (applies only to the 7450 ESS and 7750 SR).
  - detail** — Displays detailed information about the specified SAP egress policy.

### Output

#### Sample Output

```
*A:Dut-T>config>port# show qos sap-egress 10 detail
=====
QoS Sap Egress
=====

Sap Egress Policy (10)

Policy-id : 10 Scope : Template
Description : (Not Specified)

Queue CIR Admin PIR Admin CBS HiPrio PIR Lvl/Wt Parent AvgOvrhd
 CIR Rule PIR Rule MBS CIR Lvl/Wt
 Named-Buffer Pool

1 0 max def def 1/1 None 0.00
 closest closest def 0/1
 (not-assigned)

FC Name Queue QGroup Dot1p Exp/Default DE-Mark DSCP/Prec Marking

be 1 QG_egres* Default None default
af 2 QG_egres* Default None default
ef 3 QG_egres* Default None default
nc 4 QG_egres* Default None default
```

## QoS Queue Group Template Command Reference

---

### Associations

---

Service-Id : 1 (VPLS) Customer-Id : 1  
 - SAP : 9/2/1  
 - SAP : 9/2/2

---

### Mirror SAPs

---

No Mirror SAPs Found.

---

| HSMDA Queue | CIR | Admin Rule | PIR Rule | Admin Rule | Packet Offset | Slope | Policy |
|-------------|-----|------------|----------|------------|---------------|-------|--------|
|-------------|-----|------------|----------|------------|---------------|-------|--------|

---

|   |   |         |         |  |       |  |         |
|---|---|---------|---------|--|-------|--|---------|
| 1 | 0 |         | max     |  | add 0 |  | default |
|   |   | closest | closest |  |       |  |         |
| 2 | 0 |         | max     |  | add 0 |  | default |
|   |   | closest | closest |  |       |  |         |
| 3 | 0 |         | max     |  | add 0 |  | default |
|   |   | closest | closest |  |       |  |         |
| 4 | 0 |         | max     |  | add 0 |  | default |
|   |   | closest | closest |  |       |  |         |
| 5 | 0 |         | max     |  | add 0 |  | default |
|   |   | closest | closest |  |       |  |         |
| 6 | 0 |         | max     |  | add 0 |  | default |
|   |   | closest | closest |  |       |  |         |
| 7 | 0 |         | max     |  | add 0 |  | default |
|   |   | closest | closest |  |       |  |         |
| 8 | 0 |         | max     |  | add 0 |  | default |
|   |   | closest | closest |  |       |  |         |

---

| FC | HSMDA Queue-id | HSMDA Dot1p Profiling |
|----|----------------|-----------------------|
| af | def            | disabled              |
| be | def            | disabled              |
| ef | def            | disabled              |
| nc | def            | disabled              |

---

| DSCP | Cntr Id | Profile | fc |
|------|---------|---------|----|
|------|---------|---------|----|

---

No DSCP-Map Entries Found.

---

| Prec Value | Cntr Id | Profile | fc |
|------------|---------|---------|----|
|------------|---------|---------|----|

---

No Prec-Map Entries Found.

---

### Match Criteria

---

No Matching Criteria.

---



```

HSMDA Associations

No Associations Found.
```

```
=====
*A:Dut-T>config>port#
```

## sap-ingress

- Syntax** `sap-ingress [policy-id] [association | match-criteria | hsmda | detail]`
- Context** `show>qos`
- Description** This command displays SAP ingress QoS policy information. Queue group information is displayed in the FC section.
- Parameters**
- policy-id* — The SAP egress policy ID that uniquely identifies the policy.
  - association** — Displays the entities associated with the specified policy ID.
  - match-criteria** — Displays match criteria when this keyword is specified.
  - hsmda** — Displays HSMDA properties (applies only to the 7450 ESS and 7750 SR).
  - detail** — Displays detailed information about the specified SAP egress policy.

### Output

#### Sample Output

```
*A:Dut-T>config>port# show qos sap-ingress 10 detail
=====
QoS Sap Ingress
=====

Sap Ingress Policy (10)

Policy-id : 10 Scope : Template
Default FC : be Priority : Low
Criteria-type : None
Description : (Not Specified)

Queue Mode CIR Admin PIR Admin CBS HiPrio PIR Lvl/Wt Parent
 CIR Rule PIR Rule MBS CIR Lvl/Wt
 Named-Buffer Pool

1 Prio 0 max def def 1/1 None
 closest closest def
 (not-assigned)
11 Prio 0 max def def 1/1 None
 closest closest def
 (not-assigned)
```

## QoS Queue Group Template Command Reference

```

FC UCastQ/QGrp MCastQ/QGrp BCastQ/QGrp UnknownQ/QGrp

be 1/QG_ingress_1 def/ def/ def/
af 2/QG_ingress_1 def/ def/ def/
ef 3/QG_ingress_1 def/ def/ def/
nc 4/QG_ingress_1 def/ def/ def/

```

```

FC DE-1-out-profile Profile In-Remark Out-Remark

af No None None None
be No None None None
ef No None None None
nc No None None None

```

```

Dot1p FC Priority Cntr Id

0 be Default Default
2 af Default Default
4 ef Default Default
6 nc Default Default

```

```

DSCP FC Priority Cntr Id

No DSCP-Map Entries Found.

```

```

Prec Value FC Priority Cntr Id

No Prec-Map Entries Found.

```

```

Match Criteria

No Matching Criteria.

```

```

Associations

Service-Id : 1 (VPLS) Customer-Id : 1
- SAP : 9/2/1
- SAP : 9/2/2

```

```

HSMDA CIR Admin PIR Admin Packet Slope Policy
Queue CIR Rule PIR Rule Offset

1 0 max add 0 default
 closest closest
2 0 max add 0 default
 closest closest
3 0 max add 0 default
 closest closest
4 0 max add 0 default

```

```

 closest closest
5 0 max add 0 default
 closest closest
6 0 max add 0 default
 closest closest
7 0 max add 0 default
 closest closest
8 0 max add 0 default
 closest closest

FC HSMDA UCastQ HSMDA MCastQ HSMDA BCastQ

af def def def
be def def def
ef def def def
nc def def def

HSMDA Associations

No Associations Found.
=====
*A:Dut-T>config>port#

```

## pools

**Syntax** **pools** *mda-id[/port]* [**access-app** [*pool-name* | **service** *service-id* | **queue-group** *queue-group-name*]]  
**pools** *mda-id[/port]* [**network-app** [*pool-name* | **queue-group** *queue-group-name*]]  
**pools** *mda-id[/port]* [**direction** [*pool-name* | **service** *service-id* | **queue-group** *queue-group-name*]]

**Context** show

**Description** This command displays queue group pool information.

**Parameters** *mda-id[/port]* — Displays the pool information of the specified XMA or MDA.  
*pool-name* — Displays the pool information of the specified QoS policy.

**Values** access-ingress, access-egress

**service** *service-id* — Displays pool information for the specified service.

**Values** 1 to 2147483647

**queue-group** *queue-group-name* — Display information for the specified queue group.

**direction** — Specifies to display information for the ingress or egress direction.

**Values** ingress, egress

**Output**

### Sample Output

## QoS Queue Group Template Command Reference

```

*A:PE# show pools access-egress 5/1/1 queue-group "qg1" instance 1
=====
Pool Information
=====
Port : 5/1/1
Application : Acc-Egr Pool Name : default
CLI Config. Resv CBS : 30%(default)
Resv CBS Step : 0% Resv CBS Max : 0%
Amber Alarm Threshold: 0% Red Alarm Threshold: 0%

Queue-Groups

Queue-Group:Instance : qg1:1

Utilization State Start-Avg Max-Avg Max-Prob

High-Slope Down 70% 90% 80%
Low-Slope Down 50% 75% 80%
Exceed-Slope Down 30% 55% 80%
Time Avg Factor : 7
Pool Total : 75264 KB
Pool Shared : 52224 KB Pool Resv : 23040 KB

Current Resv CBS Provisioned Rising Falling Alarm
%age all Queues Alarm Thd Alarm Thd Color

30% 0 KB NA NA Green
Pool Total In Use : 0 KB
Pool Shared In Use : 0 KB Pool Resv In Use : 0 KB
WA Shared In Use : 0 KB
Hi-Slope Drop Prob : 0 Lo-Slope Drop Prob : 0
Excd-Slope Drop Prob : 0
=====
Queue : accQGrp->qg1:1(5/1/1)->1
=====
FC Map : not-applicable
Tap : not-applicable
Admin PIR : 10000000 Oper PIR : Max
Admin CIR : 0 Oper CIR : 0
Admin MBS : 12288 KB Oper MBS : not-applicable
Hi Prio Only : 1344 KB Hi Low Prio Only : 2496 KB
CBS : 0 KB Depth : 0
Slope : not-applicable
=====
*A:PE#

*A:Dut-T>config>port# show pools 9/2/1 access-ingress queue-group QG_ingress_1
=====
Pool Information
=====
Port : 9/2/1
Application : Acc-Ing Pool Name : default
Resv CBS : Sum

Queue-Groups

QG_ingress_1

```



## QoS Queue Group Template Command Reference

|                              |     |     |   |         |   |
|------------------------------|-----|-----|---|---------|---|
|                              | n/a | 102 | 9 | 1000000 | 0 |
|                              |     | 0   | 0 | Max     | 0 |
| QGrp->QG_ingress_1(9/2/1)->1 | n/a | 102 | 9 | 1000000 | 0 |
|                              |     | 0   | 0 | Max     | 0 |
| QGrp->QG_ingress_1(9/2/1)->1 | n/a | 102 | 9 | 1000000 | 0 |
|                              |     | 0   | 0 | Max     | 0 |
| QGrp->QG_ingress_1(9/2/1)->1 | n/a | 102 | 9 | 1000000 | 0 |
|                              |     | 0   | 0 | Max     | 0 |
| QGrp->QG_ingress_1(9/2/1)->1 | n/a | 102 | 9 | 1000000 | 0 |
|                              |     | 0   | 0 | Max     | 0 |
| QGrp->QG_ingress_1(9/2/1)->1 | n/a | 102 | 9 | 1000000 | 0 |
|                              |     | 0   | 0 | Max     | 0 |
| QGrp->QG_ingress_1(9/2/1)->1 | n/a | 102 | 9 | 1000000 | 0 |
|                              |     | 0   | 0 | Max     | 0 |
| QGrp->QG_ingress_1(9/2/1)->2 | n/a | 102 | 9 | 1000000 | 0 |
|                              |     | 0   | 0 | Max     | 0 |
| QGrp->QG_ingress_1(9/2/1)->2 | n/a | 102 | 9 | 1000000 | 0 |
|                              |     | 0   | 0 | Max     | 0 |
| QGrp->QG_ingress_1(9/2/1)->2 | n/a | 102 | 9 | 1000000 | 0 |
|                              |     | 0   | 0 | Max     | 0 |
| QGrp->QG_ingress_1(9/2/1)->2 | n/a | 102 | 9 | 1000000 | 0 |
|                              |     | 0   | 0 | Max     | 0 |
| QGrp->QG_ingress_1(9/2/1)->2 | n/a | 102 | 9 | 1000000 | 0 |
|                              |     | 0   | 0 | Max     | 0 |
| QGrp->QG_ingress_1(9/2/1)->2 | n/a | 102 | 9 | 1000000 | 0 |
|                              |     | 0   | 0 | Max     | 0 |
| QGrp->QG_ingress_1(9/2/1)->2 | n/a | 102 | 9 | 1000000 | 0 |
|                              |     | 0   | 0 | Max     | 0 |
| QGrp->QG_ingress_1(9/2/1)->2 | n/a | 102 | 9 | 1000000 | 0 |
|                              |     | 0   | 0 | Max     | 0 |
| QGrp->QG_ingress_1(9/2/1)->2 | n/a | 102 | 9 | 1000000 | 0 |
|                              |     | 0   | 0 | Max     | 0 |
| QGrp->QG_ingress_1(9/2/1)->2 | n/a | 102 | 9 | 1000000 | 0 |
|                              |     | 0   | 0 | Max     | 0 |
| QGrp->QG_ingress_1(9/2/1)->2 | n/a | 102 | 9 | 1000000 | 0 |
|                              |     | 0   | 0 | Max     | 0 |
| QGrp->QG_ingress_1(9/2/1)->2 | n/a | 102 | 9 | 1000000 | 0 |
|                              |     | 0   | 0 | Max     | 0 |
| QGrp->QG_ingress_1(9/2/1)->2 | n/a | 102 | 9 | 1000000 | 0 |
|                              |     | 0   | 0 | Max     | 0 |
| QGrp->QG_ingress_1(9/2/1)->2 | n/a | 102 | 9 | 1000000 | 0 |
|                              |     | 0   | 0 | Max     | 0 |

## Queue Sharing and Redirection

|                              |     |     |   |         |   |
|------------------------------|-----|-----|---|---------|---|
| QGrp->QG_ingress_1(9/2/1)->2 | n/a | 102 | 9 | 1000000 | 0 |
|                              |     | 0   | 0 | Max     | 0 |
| QGrp->QG_ingress_1(9/2/1)->2 | n/a | 102 | 9 | 1000000 | 0 |
|                              |     | 0   | 0 | Max     | 0 |
| QGrp->QG_ingress_1(9/2/1)->2 | n/a | 102 | 9 | 1000000 | 0 |
|                              |     | 0   | 0 | Max     | 0 |
| QGrp->QG_ingress_1(9/2/1)->2 | n/a | 102 | 9 | 1000000 | 0 |
|                              |     | 0   | 0 | Max     | 0 |
| QGrp->QG_ingress_1(9/2/1)->2 | n/a | 102 | 9 | 1000000 | 0 |
|                              |     | 0   | 0 | Max     | 0 |
| QGrp->QG_ingress_1(9/2/1)->3 | n/a | 102 | 9 | 1000000 | 0 |
|                              |     | 0   | 0 | Max     | 0 |
| QGrp->QG_ingress_1(9/2/1)->3 | n/a | 102 | 9 | 1000000 | 0 |
|                              |     | 0   | 0 | Max     | 0 |
| QGrp->QG_ingress_1(9/2/1)->3 | n/a | 102 | 9 | 1000000 | 0 |
|                              |     | 0   | 0 | Max     | 0 |
| QGrp->QG_ingress_1(9/2/1)->3 | n/a | 102 | 9 | 1000000 | 0 |
|                              |     | 0   | 0 | Max     | 0 |
| QGrp->QG_ingress_1(9/2/1)->3 | n/a | 102 | 9 | 1000000 | 0 |
|                              |     | 0   | 0 | Max     | 0 |
| QGrp->QG_ingress_1(9/2/1)->3 | n/a | 102 | 9 | 1000000 | 0 |
|                              |     | 0   | 0 | Max     | 0 |
| QGrp->QG_ingress_1(9/2/1)->3 | n/a | 102 | 9 | 1000000 | 0 |
|                              |     | 0   | 0 | Max     | 0 |
| QGrp->QG_ingress_1(9/2/1)->3 | n/a | 102 | 9 | 1000000 | 0 |
|                              |     | 0   | 0 | Max     | 0 |
| QGrp->QG_ingress_1(9/2/1)->3 | n/a | 102 | 9 | 1000000 | 0 |
|                              |     | 0   | 0 | Max     | 0 |
| QGrp->QG_ingress_1(9/2/1)->3 | n/a | 102 | 9 | 1000000 | 0 |
|                              |     | 0   | 0 | Max     | 0 |
| QGrp->QG_ingress_1(9/2/1)->3 | n/a | 102 | 9 | 1000000 | 0 |
|                              |     | 0   | 0 | Max     | 0 |
| QGrp->QG_ingress_1(9/2/1)->3 | n/a | 102 | 9 | 1000000 | 0 |
|                              |     | 0   | 0 | Max     | 0 |

## QoS Queue Group Template Command Reference

|                              |     |     |   |         |   |
|------------------------------|-----|-----|---|---------|---|
|                              |     | 0   | 0 | Max     | 0 |
| QGrp->QG_ingress_1(9/2/1)->3 |     |     |   |         |   |
|                              | n/a | 102 | 9 | 1000000 | 0 |
|                              |     | 0   | 0 | Max     | 0 |
| QGrp->QG_ingress_1(9/2/1)->3 |     |     |   |         |   |
|                              | n/a | 102 | 9 | 1000000 | 0 |
|                              |     | 0   | 0 | Max     | 0 |
| QGrp->QG_ingress_1(9/2/1)->3 |     |     |   |         |   |
|                              | n/a | 102 | 9 | 1000000 | 0 |
|                              |     | 0   | 0 | Max     | 0 |
| QGrp->QG_ingress_1(9/2/1)->3 |     |     |   |         |   |
|                              | n/a | 102 | 9 | 1000000 | 0 |
|                              |     | 0   | 0 | Max     | 0 |
| QGrp->QG_ingress_1(9/2/1)->3 |     |     |   |         |   |
|                              | n/a | 102 | 9 | 1000000 | 0 |
|                              |     | 0   | 0 | Max     | 0 |
| QGrp->QG_ingress_1(9/2/1)->4 |     |     |   |         |   |
|                              | n/a | 102 | 9 | 1000000 | 0 |
|                              |     | 0   | 0 | Max     | 0 |
| QGrp->QG_ingress_1(9/2/1)->4 |     |     |   |         |   |
|                              | n/a | 102 | 9 | 1000000 | 0 |
|                              |     | 0   | 0 | Max     | 0 |
| QGrp->QG_ingress_1(9/2/1)->4 |     |     |   |         |   |
|                              | n/a | 102 | 9 | 1000000 | 0 |
|                              |     | 0   | 0 | Max     | 0 |
| QGrp->QG_ingress_1(9/2/1)->4 |     |     |   |         |   |
|                              | n/a | 102 | 9 | 1000000 | 0 |
|                              |     | 0   | 0 | Max     | 0 |
| QGrp->QG_ingress_1(9/2/1)->4 |     |     |   |         |   |
|                              | n/a | 102 | 9 | 1000000 | 0 |
|                              |     | 0   | 0 | Max     | 0 |
| QGrp->QG_ingress_1(9/2/1)->4 |     |     |   |         |   |
|                              | n/a | 102 | 9 | 1000000 | 0 |
|                              |     | 0   | 0 | Max     | 0 |
| QGrp->QG_ingress_1(9/2/1)->4 |     |     |   |         |   |
|                              | n/a | 102 | 9 | 1000000 | 0 |
|                              |     | 0   | 0 | Max     | 0 |
| QGrp->QG_ingress_1(9/2/1)->4 |     |     |   |         |   |
|                              | n/a | 102 | 9 | 1000000 | 0 |
|                              |     | 0   | 0 | Max     | 0 |
| QGrp->QG_ingress_1(9/2/1)->4 |     |     |   |         |   |
|                              | n/a | 102 | 9 | 1000000 | 0 |
|                              |     | 0   | 0 | Max     | 0 |
| QGrp->QG_ingress_1(9/2/1)->4 |     |     |   |         |   |
|                              | n/a | 102 | 9 | 1000000 | 0 |
|                              |     | 0   | 0 | Max     | 0 |



```

n/a 102 9 1000000 0
 0 0 Max 0
QGrp->QG_ingress_1(9/2/1) ->4
n/a 102 9 1000000 0
 0 0 Max 0
QGrp->QG_ingress_1(9/2/1) ->4
n/a 102 9 1000000 0
 0 0 Max 0
QGrp->QG_ingress_1(9/2/1) ->4
n/a 102 9 1000000 0
 0 0 Max 0
QGrp->QG_ingress_1(9/2/1) ->4
n/a 102 9 1000000 0
 0 0 Max 0
QGrp->QG_ingress_1(9/2/1) ->4
n/a 102 9 1000000 0
 0 0 Max 0
QGrp->QG_ingress_1(9/2/1) ->4
n/a 102 9 1000000 0
 0 0 Max 0
QGrp->QG_ingress_1(9/2/1) ->4
n/a 102 9 1000000 0
 0 0 Max 0
=====
*A:Dut-T>config>port#

```

### port

- Syntax**     **port** *port-id* **queue-group** [**ingress** | **egress**] [*queue-group-name*] [{**statistics** | **associations**}]
- Context**     show>port
- Description** This command displays physical port information for the port's queue group.
- Parameters**
  - port-id* — Specifies the port ID to display information about the port's queue group.
  - queue-group ingress** — Specifies whether the queue group name is an ingress policy.
  - queue-group egress** — Specifies whether the queue group name is an egress policy.
  - queue-group-name* — Specifies the name of an existing queue group template up to 32 characters in length.
  - statistics** — Displays statistical information for the queue group.
  - associations** — Displays the entities associated with the specified queue group name.

### Output

#### Sample Output

```

*A:Dut-T>config>port# show port 9/2/1 queue-group ingress
=====
Ethernet port 9/2/1 Access Ingress queue-group
=====

```

## QoS Queue Group Template Command Reference

```
Group Name : QG_ingress_1
Description : (Not Specified)
Sched Policy : None Acct Pol : None
Collect Stats : disabled
```

### Queues

```

Ing. QGroup : QG_ingress_1 Queue-Id : 1 (Unicast) (Priority)
Description : Ingress queue-group
Admin PIR : max* Admin CIR: 0*
PIR Rule : closest* CIR Rule : closest*
CBS : def* MBS : 100*
Hi Prio : def*
```

```
Ing. QGroup : QG_ingress_1 Queue-Id : 2 (Unicast) (Priority)
Description : Ingress queue-group
Admin PIR : 800000 Admin CIR: 20000
PIR Rule : closest* CIR Rule : closest*
CBS : def* MBS : 100*
Hi Prio : def*
```

```
Ing. QGroup : QG_ingress_1 Queue-Id : 3 (Unicast) (Priority)
Description : Ingress queue-group
Admin PIR : max* Admin CIR: 0*
PIR Rule : closest* CIR Rule : closest*
CBS : def* MBS : 100*
Hi Prio : def*
```

```
Ing. QGroup : QG_ingress_1 Queue-Id : 4 (Unicast) (Priority)
Description : Ingress queue-group
Admin PIR : max* Admin CIR: 0*
PIR Rule : closest* CIR Rule : closest*
CBS : def* MBS : 100*
Hi Prio : def*
```

\* means the value is inherited

```
=====
*A:Dut-T>config>port#
```

```
*A:Dut-T>config>port# show port 9/2/2 queue-group egress
```

```
=====
Ethernet port 9/2/2 Access Egress queue-group
```

```
=====
Group Name : QG_egress_1
Description : (Not Specified)
Sched Policy : None Acct Pol : None
Collect Stats : disabled
```

### Queues

```

Egr. QGroup : QG_egress_1 Queue-Id : 1
Description : Egress queue group
Admin PIR : max* Admin CIR: 0*
PIR Rule : closest* CIR Rule : closest*
CBS : def* MBS : 100*
Hi Prio : def*
```

```
Egr. QGroup : QG_egress_1 Queue-Id : 2
```

```

Description : Egress queue group
Admin PIR : max* Admin CIR: 0*
PIR Rule : closest* CIR Rule : closest*
CBS : def* MBS : 100*
Hi Prio : def*

```

```

Egr. QGroup : QG_egress_1 Queue-Id : 3
Description : Egress queue group
Admin PIR : 1500000 Admin CIR: 2000
PIR Rule : closest* CIR Rule : closest*
CBS : def* MBS : 100*
Hi Prio : def*

```

```

Egr. QGroup : QG_egress_1 Queue-Id : 4
Description : Egress queue group
Admin PIR : max* Admin CIR: 0*
PIR Rule : closest* CIR Rule : closest*
CBS : def* MBS : 100*
Hi Prio : def*

```

\* means the value is inherited

```

=====
*A:Dut-T>config>port#

```

```

*A:Dut-T>config>port# show port 9/2/2 egress queue-group QG_egress_1 statistics

```

```

Ethernet port 9/2/2 Access Egress queue-group

```

|                                    | Packets     | Octets      |
|------------------------------------|-------------|-------------|
| Egress Queue: 1 Group: QG_egress_1 |             |             |
| For. InProf                        | : 0         | 0           |
| For. OutProf                       | : 228091788 | 14959815064 |
| Dro. InProf                        | : 0         | 0           |
| Dro. OutProf                       | : 0         | 0           |
| Egress Queue: 2 Group: QG_egress_1 |             |             |
| For. InProf                        | : 0         | 0           |
| For. OutProf                       | : 40661626  | 2764990568  |
| Dro. InProf                        | : 0         | 0           |
| Dro. OutProf                       | : 0         | 0           |
| Egress Queue: 3 Group: QG_egress_1 |             |             |
| For. InProf                        | : 0         | 0           |
| For. OutProf                       | : 40661628  | 2764990704  |
| Dro. InProf                        | : 0         | 0           |
| Dro. OutProf                       | : 0         | 0           |
| Egress Queue: 4 Group: QG_egress_1 |             |             |
| For. InProf                        | : 0         | 0           |
| For. OutProf                       | : 40661629  | 2764990772  |
| Dro. InProf                        | : 0         | 0           |
| Dro. OutProf                       | : 0         | 0           |

```

*A:Dut-T>config>port#

```

## Monitor Commands

### card

|                    |                                                                                                                                                                                                                                                                                                                                                                                                                                                                                                                                                                                                                                                                                                                                                                                                                                                                                                                                                                                                                                                                                                                                                                                                                                                                                                                                                                                                                                                                                                                                                                                                                                                                                        |
|--------------------|----------------------------------------------------------------------------------------------------------------------------------------------------------------------------------------------------------------------------------------------------------------------------------------------------------------------------------------------------------------------------------------------------------------------------------------------------------------------------------------------------------------------------------------------------------------------------------------------------------------------------------------------------------------------------------------------------------------------------------------------------------------------------------------------------------------------------------------------------------------------------------------------------------------------------------------------------------------------------------------------------------------------------------------------------------------------------------------------------------------------------------------------------------------------------------------------------------------------------------------------------------------------------------------------------------------------------------------------------------------------------------------------------------------------------------------------------------------------------------------------------------------------------------------------------------------------------------------------------------------------------------------------------------------------------------------|
| <b>Syntax</b>      | <b>card</b> <i>slot-number</i> <b>fp</b> <i>fp-number</i> <b>ingress</b> { <b>access</b>   <b>network</b> } <b>queue-group</b> <i>queue-group-name</i> <b>instance</b> <i>instance-id</i> [ <b>interval</b> <i>seconds</i> ] [ <b>repeat</b> <i>repeat</i> ] <b>policer</b> <i>policer-id</i> [ <b>absolute</b>   <b>percent-rate</b>   <i>reference-rate</i> ]                                                                                                                                                                                                                                                                                                                                                                                                                                                                                                                                                                                                                                                                                                                                                                                                                                                                                                                                                                                                                                                                                                                                                                                                                                                                                                                        |
| <b>Context</b>     | monitor                                                                                                                                                                                                                                                                                                                                                                                                                                                                                                                                                                                                                                                                                                                                                                                                                                                                                                                                                                                                                                                                                                                                                                                                                                                                                                                                                                                                                                                                                                                                                                                                                                                                                |
| <b>Description</b> | This command monitors policer statistics in an ingress FP queue group.                                                                                                                                                                                                                                                                                                                                                                                                                                                                                                                                                                                                                                                                                                                                                                                                                                                                                                                                                                                                                                                                                                                                                                                                                                                                                                                                                                                                                                                                                                                                                                                                                 |
| <b>Parameters</b>  | <p><b>card</b> <i>slot-number</i> — Specifies the slot number associated with the queue group, expressed as an integer.</p> <p><b>Values</b> 1 to 20</p> <p><b>fp</b> <i>fp-number</i> — Specifies the FP number associated with the queue group, expressed as an integer.</p> <p><b>Values</b> 1 to 2</p> <p><b>ingress</b> — Displays policer statistics applied on the ingress FP.</p> <p><b>access</b> — Displays policer statistics on the FP access.</p> <p><b>network</b> — Displays policer statistics on the FP network.</p> <p><b>queue-group</b> <i>queue-group-name</i> — Specifies the name of the queue group up to 32 characters in length</p> <p><b>instance</b> <i>instance-id</i> — Specifies the identification of a specific instance of the queue-group.</p> <p><b>Values</b> 1 to 65535</p> <p><b>interval</b> <i>seconds</i> — Configures the interval for each display in seconds.</p> <p><b>Default</b> 11 seconds</p> <p><b>Values</b> 11 to 60</p> <p><b>repeat</b> <i>repeat</i> — Configures how many times the command is repeated.</p> <p><b>Default</b> 10</p> <p><b>Values</b> 1 to 999</p> <p><b>policer</b> <i>policer-id</i> — The specified policer-id must exist within the queue-group template applied to the ingress context of the forwarding plane.</p> <p><b>Values</b> 1 to 32</p> <p><b>absolute</b> — When the absolute keyword is specified, the raw statistics are displayed, without processing. No calculations are performed on the delta or rate statistics.</p> <p><b>percent-rate</b> — When the percent-rate keyword is specified, the rate-per-second for each statistic is displayed based on the reference rate of 10G.</p> |

*reference-rate* — When a reference-rate value is specified, the rate-per-second for each statistic is displayed as a percentage based on the reference rate specified.

**Values** 100M, 1G, 10G, 40G, 100G, 400G

## card

**Syntax** **card** *slot-number* **fp** *fp-number* **queue-group** *queue-group-name* **instance** *instance-id* [**ingress**] [**access** | **networks**] [**interval** *seconds*] [**repeat** *repeat*] [**absolute** | **percent-rate** | *reference-rate*] [**arbiter root** | *name*]

**Context** monitor>qos>arbiter-stats

**Description** This command monitors arbiter statistics in an ingress FP queue group.

**Parameters** **card** *slot-number* — Specifies the slot number associated with the queue group, expressed as an integer.

**Values** 1 to 20

**fp** *fp-number* — Specifies the FP number associated with the queue group, expressed as an integer.

**Values** 1 to 2

**ingress** — Displays policer statistics applied on the ingress FP.

**access** — Displays policer statistics on the FP access.

**network** — Displays policer statistics on the FP network.

**queue-group** *queue-group-name* — Specifies the name of the queue group up to 32 characters in length

**instance** *instance-id* — Specifies the identification of a specific instance of the queue-group.

**Values** 1 to 65535

**interval** *seconds* — Configures the interval for each display in seconds.

**Default** 11 seconds

**Values** 11 to 60

**repeat** *repeat* — Configures how many times the command is repeated.

**Default** 10

**Values** 1 to 999

**absolute** — When the absolute keyword is specified, the raw statistics are displayed, without processing. No calculations are performed on the delta or rate statistics.

**percent-rate** — When the percent-rate keyword is specified, the rate-per-second for each statistic is displayed based on the reference rate of 10G.

## QoS Queue Group Template Command Reference

*reference-rate* — When a reference-rate value is specified, the rate-per-second for each statistic is displayed as a percentage based on the reference rate specified.

**Values** 100M, 1G, 10G, 40G, 100G, 400G

**arbiter name** — Specify the name of the policer control policy arbiter.

**Values** An existing arbiter-name in the form of a string up to 32 characters long composed of printable, 7-bit ASCII characters. If the string contains special characters (#, \$, spaces, etc.), the entire string must be enclosed within double quotes.

**root** — Specifies the root arbiter.

### port

**Syntax** **port** *port-id* **egress network queue-group queue-group-name instance instance-id** [**interval seconds**] [**repeat repeat**] [**absolute | rate**] [**arbiter root | name**]

**Context** monitor>qos>arbiter-stats

**Description** This command monitors arbiter statistics in an egress port queue group.

**Parameters**

|                              |                                          |                          |         |
|------------------------------|------------------------------------------|--------------------------|---------|
| <b>port</b> <i>port-id</i> — |                                          |                          |         |
| <i>port-id</i>               | <i>slot/mda/port</i> [ <i>.channel</i> ] |                          |         |
|                              | eth-sat-id                               | <i>esat-id/slot/port</i> |         |
|                              |                                          | esat                     | keyword |
|                              |                                          | <i>id</i>                | 1 to 20 |
|                              | pxc-id                                   | <i>pxc-id.sub-port</i>   |         |
|                              |                                          | pxc                      | keyword |
|                              |                                          | <i>id</i>                | 1 to 64 |
|                              |                                          | <i>sub-port</i>          | a, b    |

**Values** slot/mda/port

**egress network** — Specifies statistics are for an egress network queue group.

**queue-group queue-group-name** — Specifies the name of the queue group up to 32 characters in length.

**instance instance-id** — Specifies the identification of a specific instance of the queue-group.

**Values** 1 to 65535

**interval seconds** — Configures the interval for each display in seconds.

**Default** 11 seconds

**Values** 11 to 60

**repeat** *repeat* — Configures how many times the command is repeated.

**Default** 10

**Values** 1 to 999

**absolute** — When the **absolute** keyword is specified, the raw statistics are displayed, without processing. No calculations are performed on the delta or rate statistics.

**rate** — When the **rate** keyword is specified, the rate-per-second for each statistic is displayed.

**arbiter** *name* — Specify the name of the policer control policy arbiter.

**Values** An existing arbiter-name in the form of a string up to 32 characters long composed of printable, 7-bit ASCII characters. If the string contains special characters (#, \$, spaces, etc.), the entire string must be enclosed within double quotes.

**root** — Specify the root arbiter.

## port

**Syntax** **port** *port-id* **queue-group** *queue-group-name* [**ingress** | **egress**] [**interval** *seconds*] [**repeat** *repeat*] [**absolute** | **rate**] [**access** | **network**] [**instance** *instance-id*]

**Context** monitor>qos>scheduler-stats

**Description** This command enables port traffic monitoring.

**Parameters** **port** *port-id* — Specifies the port ID.

### Values

|                |                                          |                   |         |
|----------------|------------------------------------------|-------------------|---------|
| <i>port-id</i> | <i>slot/mda/port</i> [ <i>.channel</i> ] |                   |         |
|                | eth-sat-id                               | esat-id/slot/port |         |
|                |                                          | esat              | keyword |
|                |                                          | <i>id</i>         | 1 to 20 |
|                | pxc-id                                   | pxc-id.sub-port   |         |
|                |                                          | pxc               | keyword |
|                |                                          | <i>id</i>         | 1 to 64 |
|                |                                          | <i>sub-port</i>   | a, b    |

**queue-group** *queue-group-name* — Specifies the name of the queue group up to 32 characters in length.

**instance** *instance-id* — Specifies the identification of a specific instance of the queue-group.

**Values** 1 to 65535

**ingress** — Specifies statistics are for an ingress queue group.

**egress** — Specifies statistics are for an egress queue group.

## QoS Queue Group Template Command Reference

**interval** *seconds* — Configures the interval for each display in seconds.

**Default** 11 seconds

**Values** 11 to 60

**repeat** *repeat* — Configures how many times the command is repeated.

**Default** 10

**Values** 1 to 999

**absolute** — When the **absolute** keyword is specified, the raw statistics are displayed, without processing. No calculations are performed on the delta or rate statistics.

**rate** — When the **rate** keyword is specified, the rate-per-second for each statistic is displayed.

**access** — Displays scheduler statistics applied on an access port.

**network** — Displays scheduler statistics applied on a network port.



# QoS Scheduler Policies

---

## In This Section

This section provides information to configure QoS scheduler and port scheduler policies using the command line interface.

Topics in this section include:

- [Overview](#)
- [Basic Configurations](#)
- [Service Management Tasks](#)

## Overview

### Scheduler Policies

Virtual schedulers are created within the context of a scheduler policy that is used to define the hierarchy and parameters for each scheduler. A scheduler is defined in the context of a tier which is used to place the scheduler within the hierarchy. Three tiers of virtual schedulers are supported. Root schedulers are defined without a parent scheduler meaning it is not subject to obtaining bandwidth from a higher tier scheduler. A scheduler has the option of enforcing a maximum rate of operation for all child queues and schedulers associated with it.

Because a scheduler is designed to arbitrate bandwidth between many inputs, a metric must be assigned to each child queue or scheduler vying for transmit bandwidth. This metric indicates whether the child is to be scheduled in a strict or weighted fashion and the level or weight the child has to other children.

## Egress Port-Based Schedulers

In previous releases, HQoS root (top tier) schedulers always assumed that the configured rate was available, regardless of egress port level oversubscription and congestion. This resulted in the possibility that the aggregate bandwidth assigned to queues was not actually available at the port level. When the HQoS algorithm configures queues with more bandwidth than available on an egress port, actual bandwidth distribution to queues on the port will be solely based on the action of the hardware scheduler. This can result in a forwarding rate at each queue that is very different than the desired rate.

The port-based scheduler feature was introduced to allow HQoS bandwidth allocation based on available bandwidth at the egress port level. The port-based scheduler works at the egress line rate of the port to which it is attached. Port-based scheduling bandwidth allocation automatically includes the Inter-Frame Gap (IFG) and preamble for packets forwarded on queues servicing egress Ethernet ports. However, on PoS and SDH based ports, the HDLC encapsulation overhead and other framing overhead per packet is not known by the system. Instead of automatically determining the encapsulation overhead for SDH or SONET queues, the system provides a configurable frame encapsulation efficiency parameter that allows the user to select the average encapsulation efficiency for all packets forwarded out the egress queue.

A special port scheduler policy can be configured to define the virtual scheduling behavior for an egress port. The port scheduler is a software-based state machine managing a bandwidth allocation algorithm that represents the scheduling hierarchy shown in [Port Level Virtual Scheduler Bandwidth Allocation Based on Priority and CIR](#).

The first tier of the scheduling hierarchy manages the total frame based bandwidth that the port scheduler will allocate to the eight priority levels.

The second tier receives bandwidth from the first tier in two priorities, a “within-cir” loop and an “above-cir” loop. The second tier “within-cir” loop provides bandwidth to the third tier “within-cir” loops, one for each of the eight priority levels. The second tier “above-cir” loop provides bandwidth to the third tier “above-cir” loops for each of the eight priority levels.

The “within-cir” loop for each priority level on the third tier supports an optional rate limiter used to restrict the maximum amount of “within-cir” bandwidth the priority level can receive. A maximum priority level rate limit is also supported that restricts the total amount of bandwidth the level can receive for both “within-cir” and “above-cir”. The amount of bandwidth consumed by each priority level for “within-cir” and “above-cir” is predicated on the rate limits described and the ability for each child queue or scheduler attached to the priority level to use the bandwidth.

The priority 1 “above-cir” scheduling loop has a special two tier strict distribution function. The high priority level 1 “above-cir” distribution is weighted between all queues and schedulers attached to level 1 for “above-cir” bandwidth. The low priority distribution for level 1 “above-cir” is reserved for all orphaned queues and schedulers on the egress port. Orphans are queues and schedulers that are not explicitly or indirectly attached to the port scheduler through normal parenting conventions. By default, all orphans receive bandwidth after all parented queues and schedulers and are allowed to consume whatever bandwidth is remaining. This default behavior for orphans can be overridden on each port scheduler policy by defining explicit orphan port parent association parameters.

Ultimately, any bandwidth allocated by the port scheduler is given to a child queue. The bandwidth allocated to the queue is converted to a value for the queue’s PIR (maximum rate) setting. This way, the hardware schedulers operating at the egress port level will only schedule bandwidth for all queues on the port up to the limits prescribed by the virtual scheduling algorithm.

The following lists the bandwidth allocation sequence for the port virtual scheduler:

1. Priority level 8 offered load up to priority CIR
2. Priority level 7 offered load up to priority CIR
3. Priority level 6 offered load up to priority CIR
4. Priority level 5 offered load up to priority CIR
5. Priority level 4 offered load up to priority CIR
6. Priority level 3 offered load up to priority CIR
7. Priority level 2 offered load up to priority CIR
8. Priority level 1 offered load up to priority CIR
9. Priority level 8 remaining offered load up to remaining priority rate limit
10. Priority level 7 remaining offered load up to remaining priority rate limit
11. Priority level 6 remaining offered load up to remaining priority rate limit
12. Priority level 5 remaining offered load up to remaining priority rate limit
13. Priority level 4 remaining offered load up to remaining priority rate limit
14. Priority level 3 remaining offered load up to remaining priority rate limit
15. Priority level 2 remaining offered load up to remaining priority rate limit
16. Priority level 1 remaining offered load up to remaining priority rate limit
17. Priority level 1 remaining orphan offered load up to remaining priority rate limit (default orphan behavior unless orphan behavior has been overridden in the scheduler policy)

When a queue is inactive or has a limited offered load that is below its fair share (fair share is based on the bandwidth allocation a queue would receive if it was registering adequate activity), its operational PIR must be set to some value to handle what would happen if the queues offered load increased prior to the next iteration of the port virtual scheduling algorithm. If an inactive queue's PIR was set to zero (or near zero), the queue would throttle its traffic until the next algorithm iteration. If the operational PIR was set to its configured rate, the result could overrun the expected aggregate rate of the port scheduler.

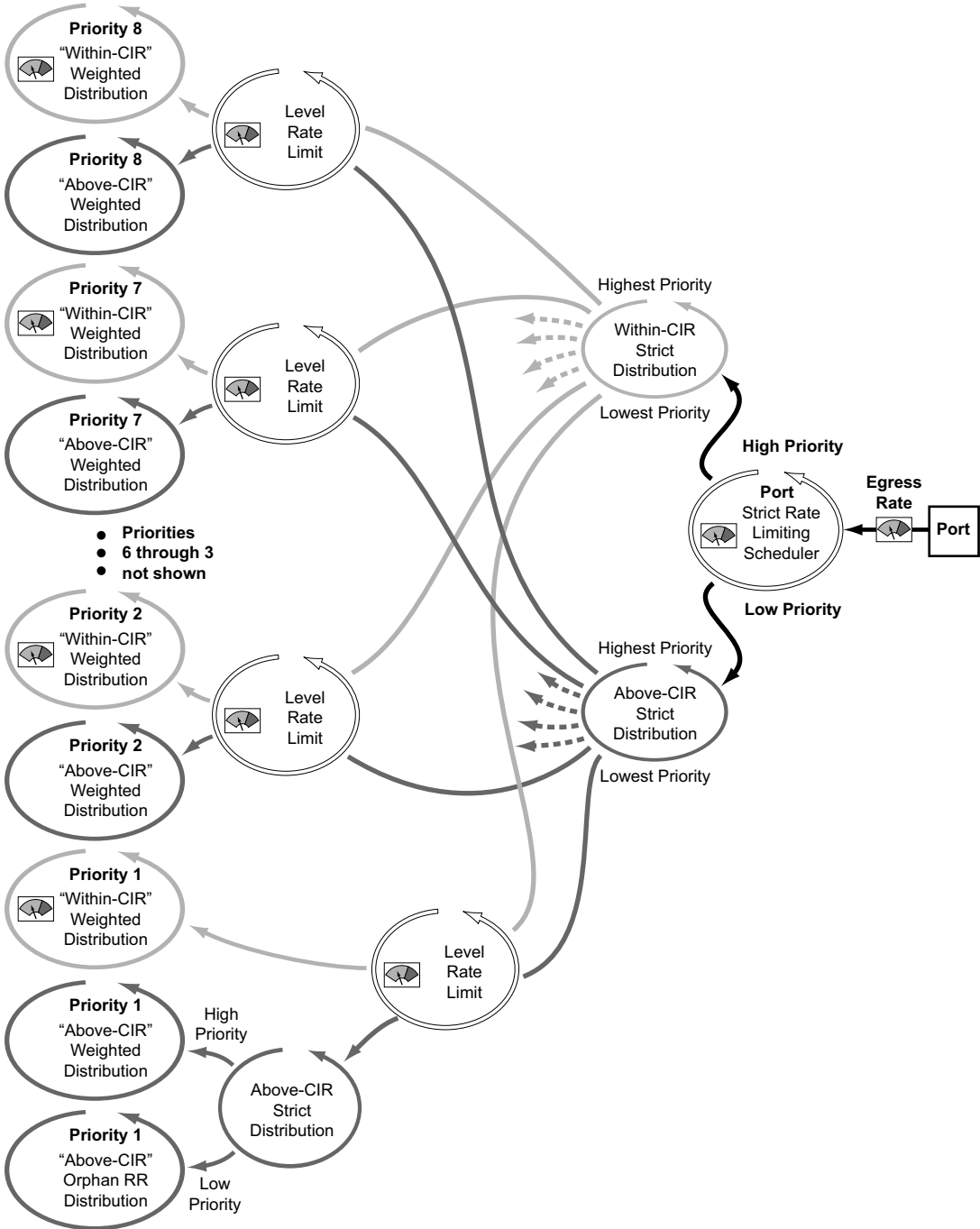
To accommodate inactive queues, the system calculates a Minimum Information Rate (MIR) for each queue. To calculate each queue's MIR, the system determines what that queue's Fair Information Rate (FIR) would be if that queue had actually been active during the latest iteration of the virtual scheduling algorithm. For example, if three queues are active (1, 2, and 3) and two queues are inactive (4 and 5), the system first calculates the FIR for each active queue. Then it recalculates the FIR for queue 4 assuming queue 4 was active with queues 1, 2, and 3 and uses the result as the queue's MIR. The same is done for queue 5 using queues 1, 2, 3, and 5. The MIR for each inactive queue is used as the operational PIR for each queue.

## **Service/Subscriber or Multi-service Site Egress Port Bandwidth Allocation**

The port-based egress scheduler can be used to allocate bandwidth to each service or subscriber or multi-service site associated with the port. While egress queues on the service can have a child association with a scheduler policy on the SAP or multi-service site, all queues must vie for bandwidth from an egress port. Two methods are supported to allocate bandwidth to each service or subscriber or multi-service site queue:

1. Service or subscriber or multi-service site queue association with a scheduler on the SAP or multi-service site which is itself associated with a port-level scheduler.
2. Service or subscriber or multi-service site queue association directly with a port-level scheduler.

Figure 20: Port Level Virtual Scheduler Bandwidth Allocation Based on Priority and CIR

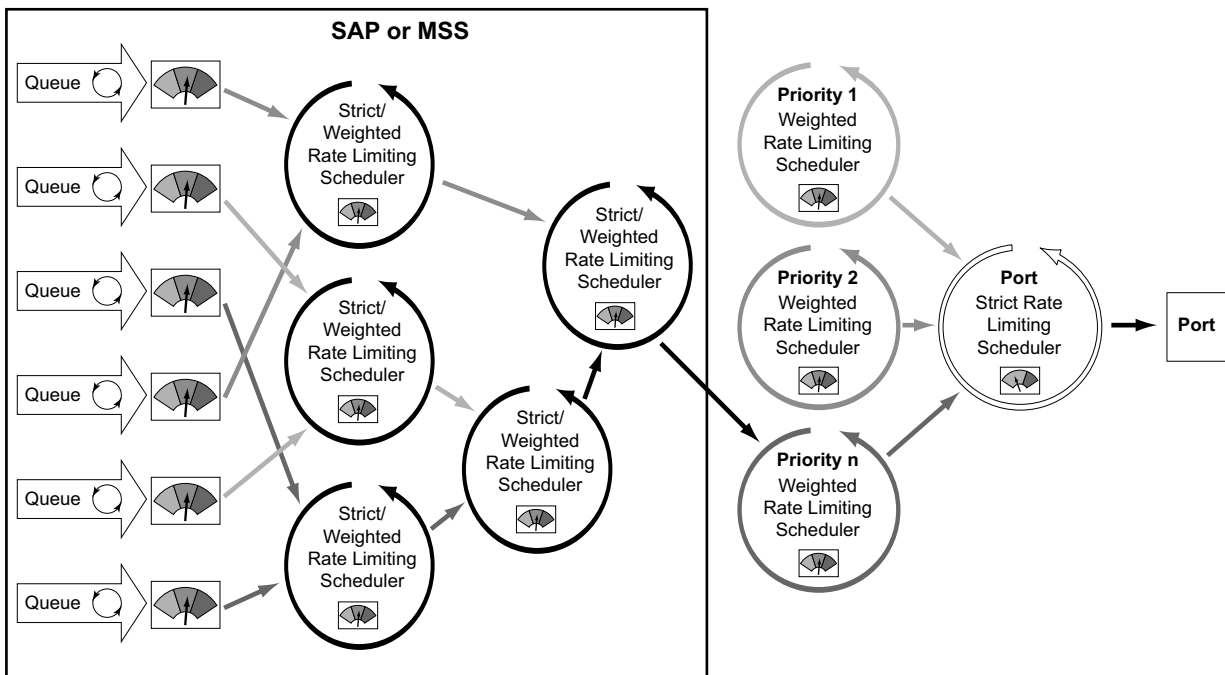


OSSG130

## Service or Subscriber or Multi-service site Scheduler Child to Port Scheduler Parent

The service or subscriber or multi-service site scheduler to port scheduler association model allows for multiple services or subscriber or multi-service site to have independent scheduler policy definitions while the independent schedulers receive bandwidth from the scheduler at the port level. By using two scheduler policies, available egress port bandwidth can be allocated fairly or unfairly depending on the desired behavior. Figure 21 graphically demonstrates this model.

Figure 21: Two Scheduler Policy Model for Access Ports



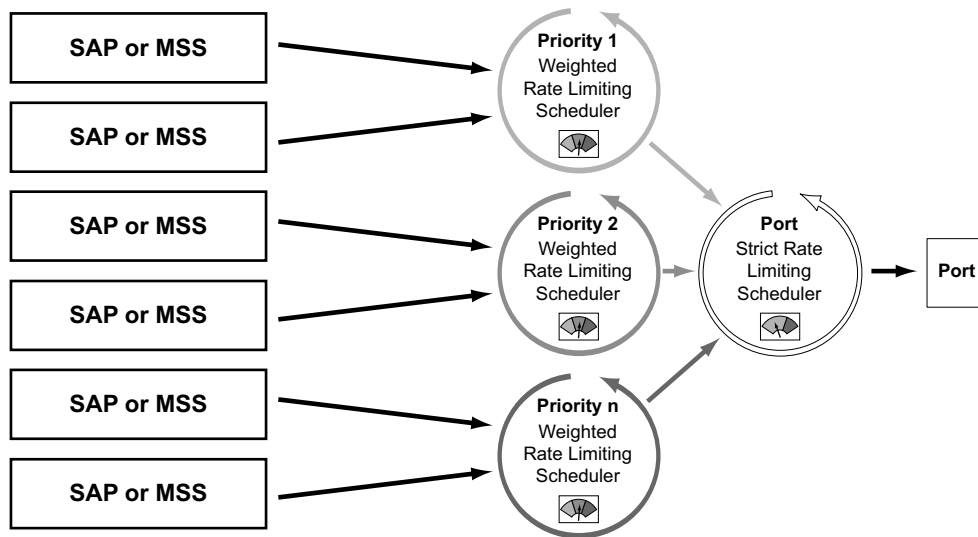
OSSG131

Once a two scheduler policy model is defined, the bandwidth distribution hierarchy allocates the available port bandwidth to the port schedulers based on priority, weights, and rate limits. The service or subscriber or multi-service site level schedulers and the queues they service become an extension of this hierarchy.

Due to the nature of the two scheduler policy, bandwidth is allocated on a per-service or per subscriber or multi-service site basis as opposed to a per-class basis. A common use of the two policy model is for a carrier-of-carriers mode of business. In essence, the goal of a carrier is to provide segments of bandwidth to providers who purchase that bandwidth as services. While the carrier does not concern itself with the interior services of the provider, it does however care how congestion affects the bandwidth allocation to each provider's service. As an added benefit, the two policy approach provides the carrier with the ability to

preferentially allocate bandwidth within a service or subscriber or multi-service site context through the service or subscriber or multi-service site level policy without affecting the overall bandwidth allocation to each service or subscriber or multi-service site. [Figure 22](#) shows a per-service bandwidth allocation using the two scheduler policy model. While the figure shows services grouped by scheduling priority, it is expected that many service models will place the services in a common port priority and use weights to provide a weighted distribution between the service instances. Higher weights provide for relatively higher amounts of bandwidth.

**Figure 22: Schedulers on SAP or Multi-Service Site Receive Bandwidth From Port Priority Levels**



OSSG132

### **Direct Service or Subscriber or Multi-service site Queue Association to Port Scheduler Parents**

The second model of bandwidth allocation on an egress access port is to directly associate a service or subscriber or multi-service site queue to a port-level scheduler. This model allows the port scheduler hierarchy to allocate bandwidth on a per class or priority basis to each service or subscriber or multi-service site queue. This allows the provider to manage the available egress port bandwidth on a service tier basis ensuring that during egress port congestion, a deterministic behavior is possible from an aggregate perspective. While this

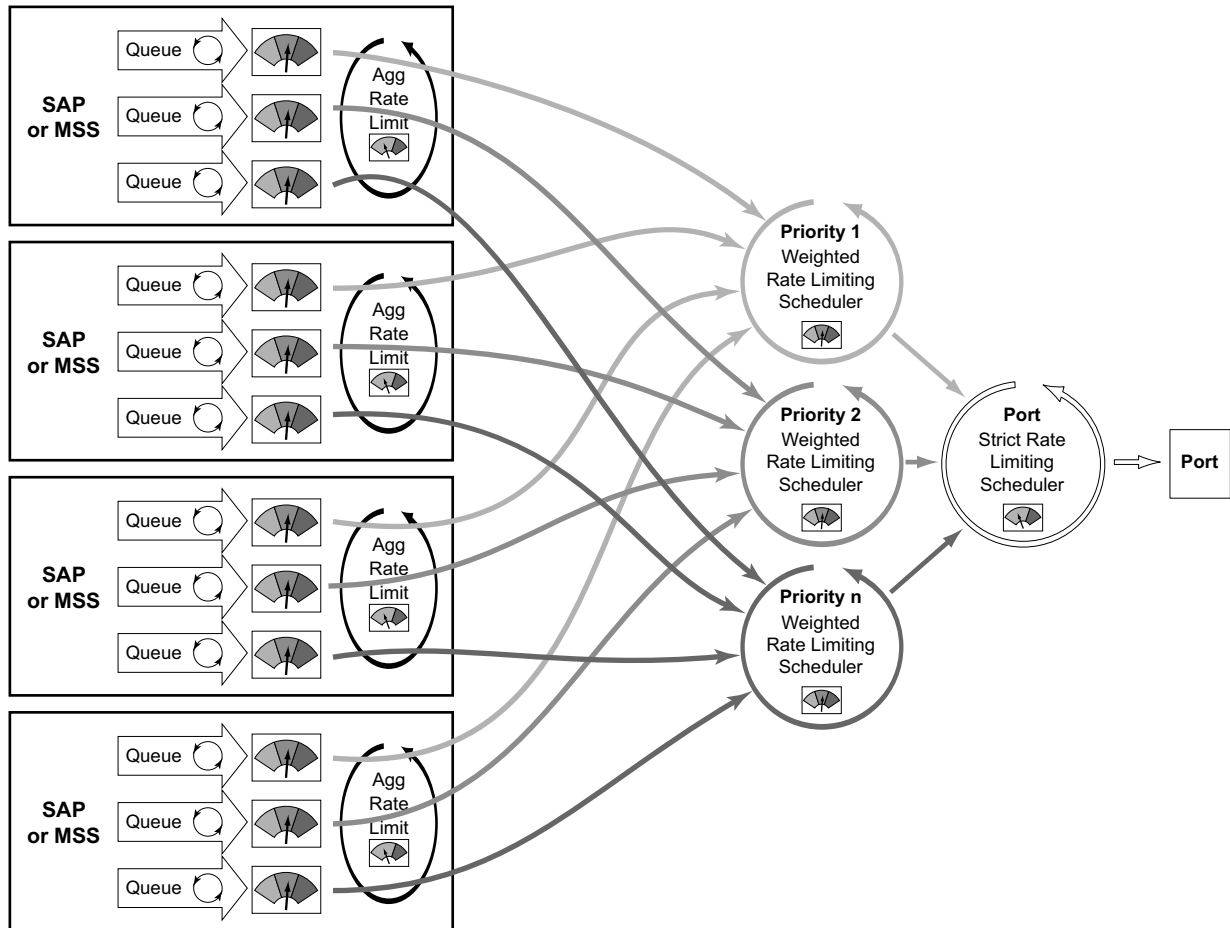
provides an aggregate bandwidth allocation model, it does not inhibit per service or per subscriber or multi-service site queuing. [Figure 23](#) demonstrates the single, port scheduler policy model.

[Figure 23](#) also demonstrates the optional aggregate rate limiter at the SAP, multi-service site or subscriber or multi-service site level. The aggregate rate limiter is used to define a maximum aggregate bandwidth at which the child queues can operate. While the port-level scheduler is allocating bandwidth to each child queue, the current sum of the bandwidth for the service or subscriber or multi-service site is monitored. Once the aggregate rate limit is reached, no more bandwidth is allocated to the children associated with the SAP, multi-service site, or subscriber or multi-service site. Aggregate rate limiting is restricted to the single scheduler policy model and is mutually exclusive to defining SAP, multi-service site, or subscriber or multi-service site scheduling policies.

The benefit of the single scheduler policy model is that the bandwidth is allocated per priority for all queues associated with the egress port. This allows a provider to preferentially allocate bandwidth to higher priority classes of service independent of service or subscriber or multi-service site instance. In many cases on the 7750 SR, a subscriber can purchase multiple services from a single site (VoIP, HSI, Video) and each service can have a higher premium value relative to other service types. If a subscriber has purchased a premium service class, that service class should get bandwidth before another subscriber's best effort service class. When combined with the aggregate rate limit feature, the single port-level scheduler policy model provides a per-service instance or per-subscriber instance aggregate SLA and a class based port bandwidth allocation function.



Figure 23: Direct Service or Subscriber or Multi-service site Association to Port Scheduler Model



OSSG133

## Frame and Packet-Based Bandwidth Allocation

A port-based bandwidth allocation mechanism must consider the effect that line encapsulation overhead plays relative to the bandwidth allocated per service or subscriber or multi-service site. The service or subscriber or multi-service site level bandwidth definition (at the queue level) operates on a packet accounting basis. For Ethernet, this includes the DLC header, the payload and the trailing CRC. This does not include the IFG or the preamble. This

means that an Ethernet packet will consume 20 bytes more bandwidth on the wire than what the queue accounted for. When considering HDLC encoded PoS or SDH ports on the 7750 SR, the overhead is variable based on '7e' insertions (and other TDM framing issues). The HDLC and SONET/SDH frame overhead is not included for queues forwarding on PoS and SDH links.

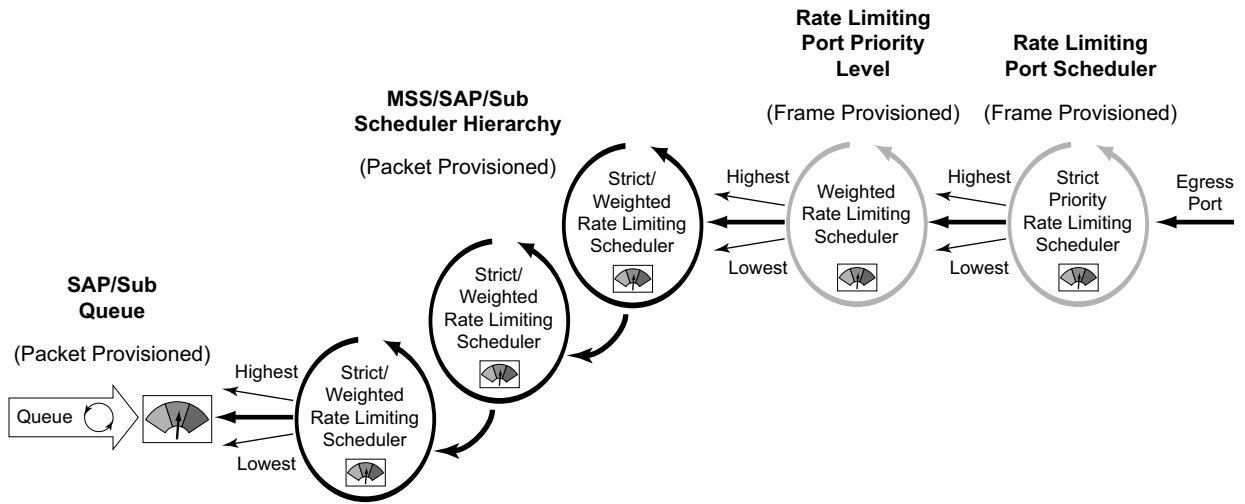
The port-based scheduler hierarchy must translate the frame based accounting (on-the-wire bandwidth allocation) it performs to the packet based accounting in the queues. When the port scheduler considers the maximum amount of bandwidth a queue should get, it must first determine how much bandwidth the queue can use. This is based on the offered load the queue is currently experiencing (how many octets are being offered the queue). The offered load is compared to the queues configured CIR and PIR. The CIR value determines how much of the offered load should be considered in the "within-cir" bandwidth allocation pass. The PIR value determines how much of the remaining offered load (after "within-cir") should be considered for the "above-cir" bandwidth allocation pass.

For Ethernet queues (queues associated with an egress Ethernet port), the packet to frame conversion is relatively easy. The system multiplies the number of offered packets by 20 bytes and adds the result to the offered octets ( $\text{offeredPackets} \times 20 + \text{offeredOctets} = \text{frameOfferedLoad}$ ). This frame-offered-load value represents the amount of line rate bandwidth the queue is requesting. The system computes the ratio of increase between the offered-load and frame-offered-load and calculates the current frame based CIR and PIR. The frame-CIR and frame-PIR values are used as the limiting values in the "within-cir" and "above-cir" port bandwidth distribution passes.

For PoS or SDH queues on the 7750 SR, the packet to frame conversion is more difficult to dynamically calculate due to the variable nature of HDLC encoding. Wherever a '7e' bit or byte pattern appears in the data stream, the framer performing the HDLC encoding must place another '7e' within the payload. Since this added HDLC encoding is unknown to the forwarding plane, the system allows for an encapsulation overhead parameter that can be provisioned on a per queue basis. This is provided on a per queue basis to allow for differences in the encapsulation behavior between service flows in different queues. The system multiplies the offered load of the queue by the encapsulation-overhead parameter and adds the result to the offered load of the queue ( $\text{offeredOctets} * \text{configuredEncapsulationOverhead} + \text{offeredOctets} = \text{frameOfferedLoad}$ ). The frame-offered-load value is used by the egress PoS/SDH port scheduler in the same manner as the egress Ethernet port scheduler above.

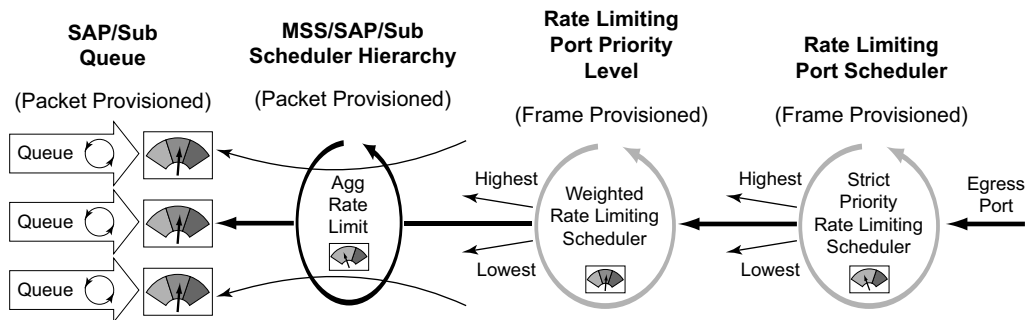
From a provisioning perspective, queues and service level (and subscriber level) scheduler policies are always provisioned with packet-based parameters. The system will convert these values to frame-based on-the-wire values for the purpose of port bandwidth allocation. However, port-based scheduler policy scheduler maximum rates and CIR values are always interpreted as on-the-wire values and must be provisioned accordingly. [Figure 24](#) and [Figure 25](#) provide a logical view of bandwidth distribution from the port to the queue level and shows the packet or frame-based provisioning at each step.

Figure 24: Port Bandwidth Distribution for Service and Port Scheduler Hierarchies



OSSG134

Figure 25: Port Bandwidth Distribution for Direct Queue to Port Scheduler Hierarchy



OSSG135

## Queue Parental Association Scope

A **port-parent** command in the sap-egress and network-queue QoS policy queue context defines the direct child/parent association between an egress queue and a port scheduler priority level. The **port-parent** command is mutually exclusive to the already-existing **parent** command, which associates a queue with a scheduler at the SAP, multi-service site or subscriber or multi-service site profile level. It is possible to mix local parented (parent to service or subscriber or multi-service site level scheduler) and port parented queues with schedulers on the same egress port.

The **port-parent** command only accepts a child/parent association to the eight priority levels on a port scheduler hierarchy. Similar to the local **parent** command, two associations are supported, one for “within-cir” bandwidth (cir-level) and a second one for “above-cir” bandwidth (level). The “within-cir” association is optional and can be disabled by using the default “within-cir” weight value of 0. In the event that a queue with a defined parent port is on a port without a port scheduler policy applied, that queue will be considered an orphaned queue. If a queue with a parent command is defined on a port and the named scheduler is not found due a missing scheduler policy or a missing scheduler of that name, the queue will be considered orphaned as well.

A queue can be moved from a local (on the SAP, multi-service site, or subscriber or multi-service site profile) parent to a port parent priority level simply by executing the **port-parent** command. Once the **port-parent** command is executed, any local parent information for the queue is lost. The queue can also be moved back to a local parent at anytime by executing the local parent command. Lastly, the local parent or port parent association can be removed at any time by using the no version of the appropriate parent command.

## Service or Subscriber or Multi-service Site-Level Scheduler Parental Association Scope

The **port-parent** command in the scheduler-policy scheduler context (at all tier levels) allows a scheduler to be associated with a port scheduler priority level. The **port-parent** command is mutually exclusive to the **parent** command for schedulers at tiers 2 and 3 within the scheduler policy. The **port-parent** command is the only parent command allowed for schedulers in tier 1.

The **port-parent** command only accepts a child/parent association to the eight priority levels on a port scheduler hierarchy. Similar to the normal local parent command, two associations are supported, one for “within-cir” bandwidth (cir-level) and a second one for “above-cir” bandwidth (level). The “within-cir” association is optional and can be disabled by using the default “within-cir” weight value of 0. In the event that a scheduler with a port parent defined is on a port without a port scheduler policy applied, that scheduler will be considered an orphaned scheduler.

A scheduler in tiers 2 and 3 can be moved from a local (within the policy) parent to a port parent priority level simply by executing the **port-parent** command. Once the **port-parent** command is executed, any local parent information for the scheduler is lost. The schedulers at tiers 2 and 3 can also be moved back to a local parent at anytime by executing the local parent command. Lastly, the local parent or port parent association can be removed at anytime by using the no version of the appropriate parent command. A scheduler in tier 1 can only be associated with a port parent and that port parent definition can be added or removed at anytime.

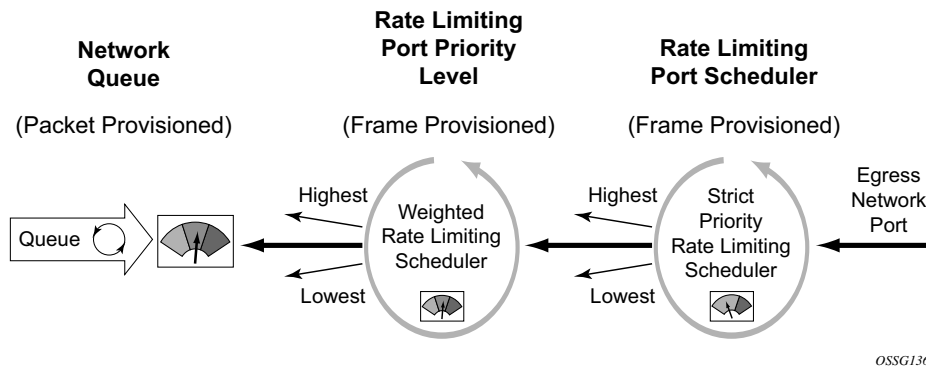
## Network Queue Parent Scheduler

Network queues support port scheduler parent priority-level associations. Using a port scheduler policy definition and mapping network queues to a port parent priority level, HQoS functionality is supported providing eight levels of strict priority and weights within the same priority. A network queue's bandwidth is allocated using the "within-cir" and "above-cir" scheme normal for port schedulers.

Queue CIR and PIR percentages when port-based schedulers are in effect will be based on frame-offered-load calculations. [Figure 26](#) demonstrates port-based virtual scheduling bandwidth distribution.

A network queue with a port parent association exists on a port without a scheduler policy defined will be considered to be orphaned.

**Figure 26: Bandwidth Distribution on Network Port with Port-Based Scheduling**



## Foster Parent Behavior for Orphaned Queues and Schedulers

All queues and schedulers on a port that has a port-based scheduler policy configured will be subject to bandwidth allocation through the port-based schedulers. All queues and schedulers that are not configured with a scheduler parent are considered to be orphaned when port-based scheduling is in effect. This includes access and network queue schedulers at the SAP, multi-service site, subscriber and port level.

By default, orphaned queues and schedulers are allocated bandwidth after all queues and schedulers in the parented hierarchy have had bandwidth allocated "within-cir" and "above-cir". In essence, an orphaned scheduler or queue can be considered as being foster parented by the port scheduler. Orphaned queues and schedulers have an inherent port scheduler association as shown below:

- Within-CIR priority = 1

## Overview

- Within-CIR weight = 0
- Above-CIR priority = 1
- Above-CIR weight = 0

The above-CIR weight = 0 value is only used for orphaned queues and schedulers on port scheduler enabled egress ports. The system interprets weight=0 as priority level 0 and will only distribute bandwidth to level 0 once all other properly parented queues and schedulers have received bandwidth. Orphaned queues and schedulers all have equal priority to the remaining port bandwidth.

The default orphan behavior can be overridden for each port scheduler policy by using the orphan override command. The orphan override command accepts the same parameters as the port parent command. When the orphan override command is executed, all orphan queues and schedulers are treated in a similar fashion as other properly parented queues and schedulers based on the override parenting parameters.

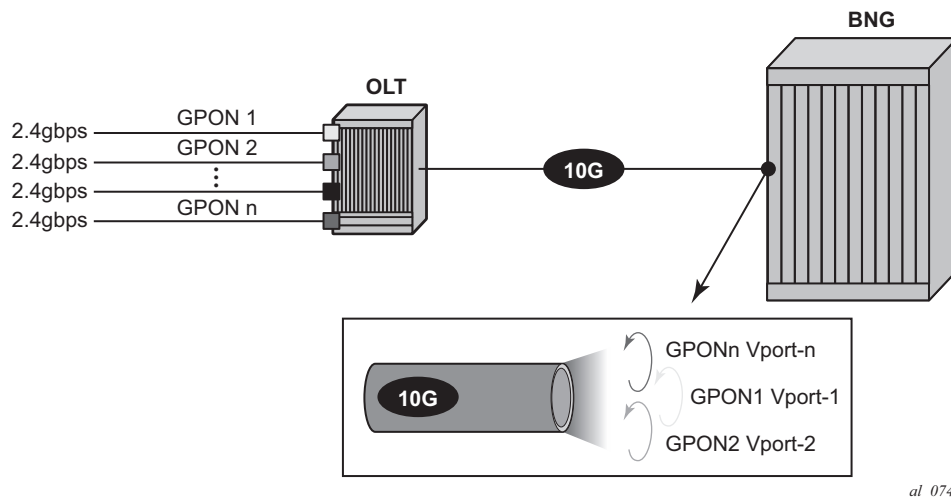
It is expected that an orphan condition is not the desired state for a queue or scheduler and is the result of a temporary configuration change or configuration error.

## Congestion Monitoring on Egress Port Scheduler

A typical example of congestion monitoring on an Egress Port Scheduler (EPS) is when the EPS is configured within a Vport. A Vport is a construct in an HQoS hierarchy that can be used to control the bandwidth associated with an access network element (such as, GPON port, OLT, DSLAM) or a retailer that has subscribers on an access node (among other retailers).

The example in [Figure 27](#) shows Vports representing GPON ports on an OLT. For capacity planning purposes, it's necessary to know if the GPON ports (Vports) are congested. Frequent and prolonged congestion on the Vport will prompt the operator to increase the offered bandwidth to its subscribers by allocating additional GPON ports and subsequently moving the subscribers to the newly allocated GPON ports.

Figure 27: GPON Bandwidth Control through Vport



al\_0740

There are no forward/drop counters directly associated with the EPS. Instead, the counters are maintained on a per queue level. Consequently, any indication of the congestion level on the EPS is derived from the queue counters that are associated with the given EPS.

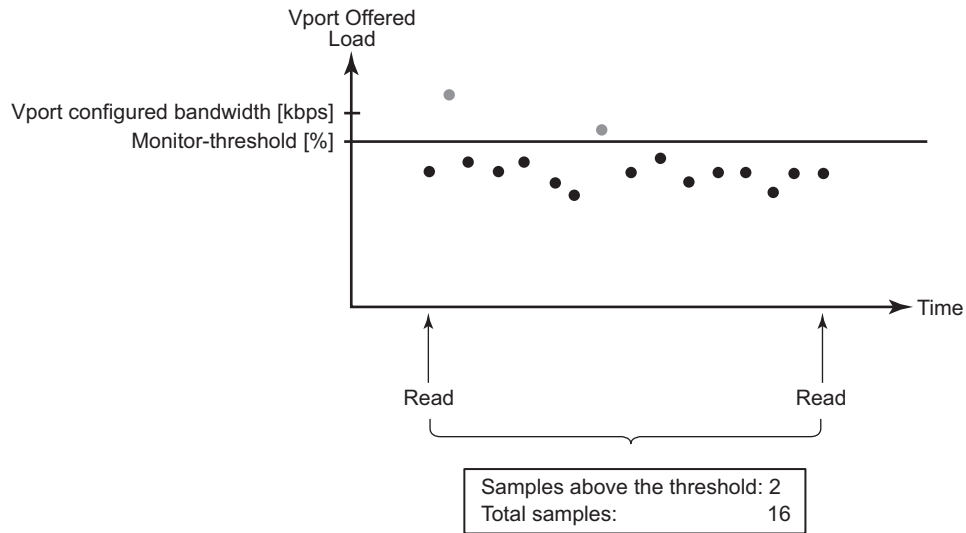
The EPS congestion monitoring capabilities rely on a counter that records the number of times that the offered EPS load (measured at the queue level) crossed the predefined bandwidth threshold levels within a given, operator defined timeframe. This counter is called the exceed counter. The rate comparison calculation (offered rate vs threshold) are executed several times per second and the calculation interval cannot be influenced externally by the operator.

The monitoring threshold can be configured via CLI per aggregate EPS rate, EPS level or EPS group. The threshold is applicable to PIR rates.

To enable congestion monitoring on EPS, monitoring must be explicitly enabled under the Vport object itself or under the physical port when the EPS is attached directly to the physical port. In addition, the monitoring threshold within the EPS must be configured.

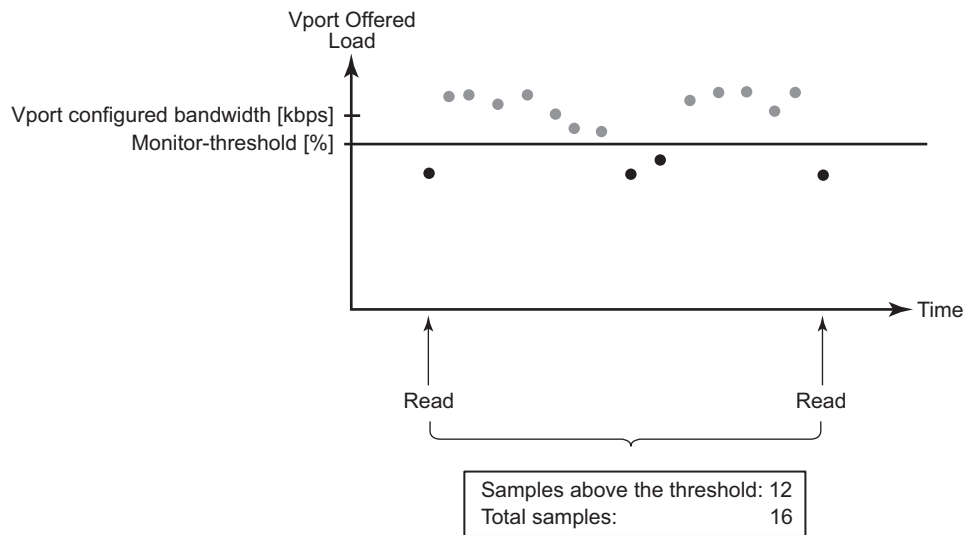
Two examples of congestion monitoring on an EPS that is configured under the Vport are shown in [Figure 28](#) and [Figure 29](#). [Figure 29](#) shows more severe congestion than [Figure 28](#). The EPS exceed counter (the number of dots above the threshold line) can be obtained via a CLI show command or read directly via MIBs.

**Figure 28: Exceed Counts**



al\_0741

**Figure 29: Exceed Counts (Severe Congestion)**



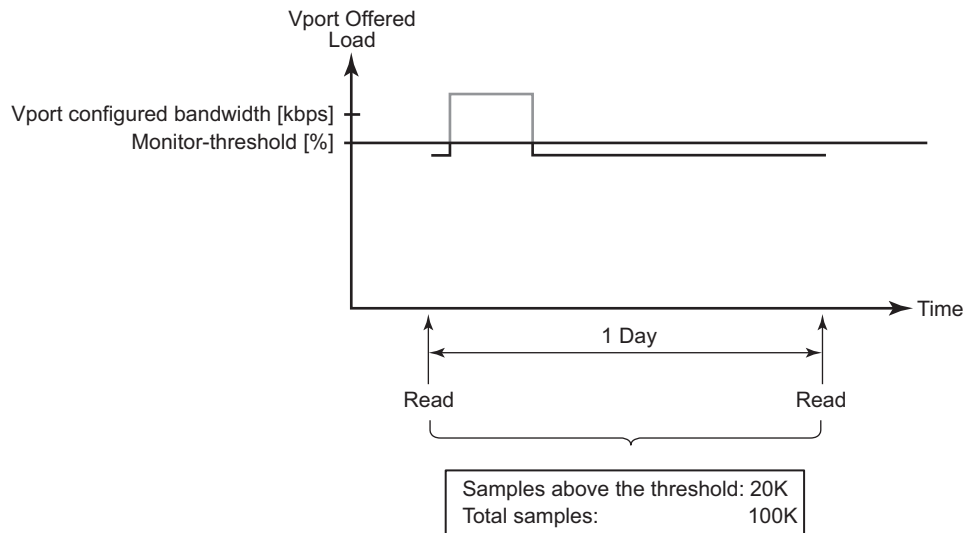
al\_0742

Once the exceed counter value is obtained, the counter should be cleared, which resets the exceed counter and number of samples to zero. This is because the longer the interval between a clear and a show or read, the more diluted the congestion information becomes. For example, 100 threshold exceeds within a 5 minute interval depicts a more accurate congestion picture compared to 100 threshold exceeds within a 5 hour interval.



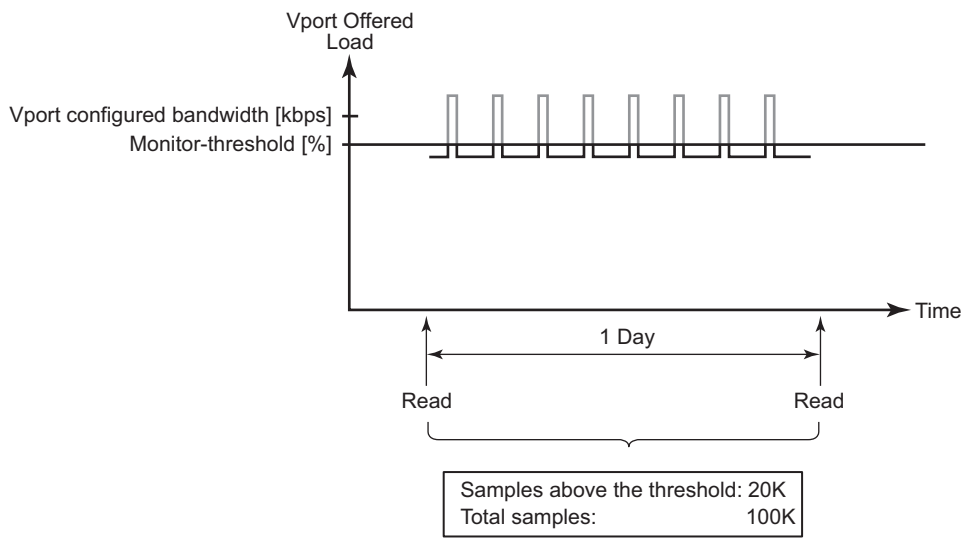
The reduced ability to determine the time of congestion if the reading interval is too long is shown in Figure 30, Figure 31, and Figure 32. It can be seen that the same readings (in the 3 examples) can represent different congestion patterns that occur at different times between the two consecutive reads. The congestion pattern, or the exact time of congestion cannot be determined from the reading itself. The reading only indicates that the congestion occurred x number of times between the two consecutive readings. In the example shown in Figure 30, Figure 31, and Figure 32, an operator can decipher that the link was congested 20% of the time during a one day period without being able to pinpoint the exact time of congestion within the one day period. To determine the time of the congestion more accurately, the operator must collect the information more frequently. For example, if the information is collected every 30 minutes, then the operator can determine the part of the day during which congestion occurred within 30 minutes of accuracy.

**Figure 30: Determining the Time of Congestion (Example 1)**



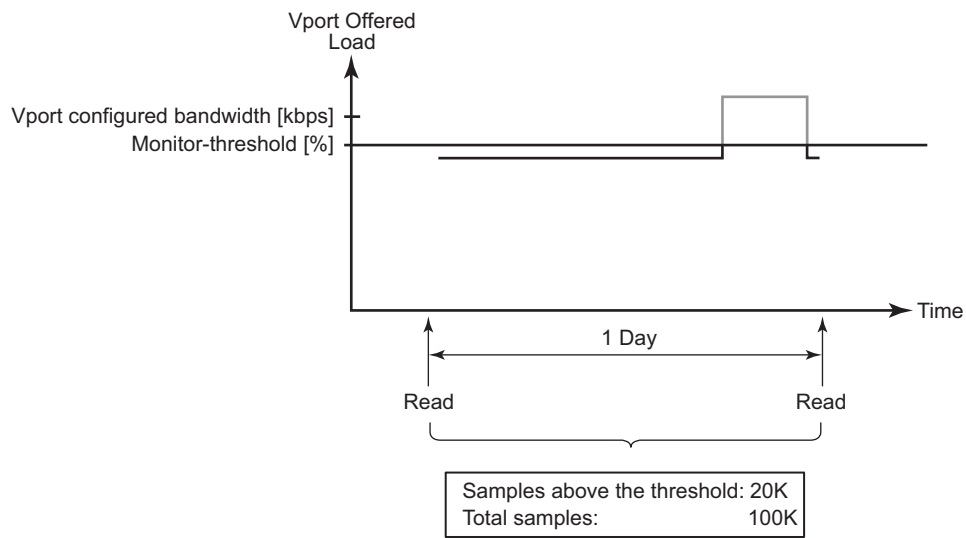
al\_0743

**Figure 31: Determining the Time of Congestion Example 2)**



al\_0744

**Figure 32: Determining the Time of Congestion (Example 3)**



al\_0748

## Scalability, Performance, and Operation

The scalability and performance is driven by the number of entities for which congestion monitoring is enabled on each line card.

Each statistics gathering operation requires a show or read followed by a clear. The shorter the time between the two, the more accurate the information about the congestion state of the EPS will be.

If the clear operation is not executed after the show or read operation, the external statistics gathering entity (external server) would need to perform additional operations (such as, subtract statistics between the two consecutive reads) in order to obtain the delta between the two reads.

The recommended minimum polling interval at a higher scale (high number of monitoring entities) is 15 minutes per monitoring entity.

If statistics are obtained via SNMP, the relevant MIB entries corresponding to the show command are:

- tPortEgrVPortMonThrEntry
- tPortEgrMonThrEntry

Clearing of the statistics can also be performed through a common MIB entry, corresponding to a clear command: tmnxClearEntry.

## Restrictions

The scalability and performance is driven by the number of entities for which congestion monitoring is enabled on each line card.

- EPS congestion monitoring is supported only on Ethernet ports.
- If EPS is applied under Vports, the congestion monitoring mechanism does not provide any indication of whether or not the physical port was congested. For example, if the physical port is congested, it will distribute less bandwidth to its Vports than it otherwise would. Therefore, the Vport offered load will appear as less than it actually is, giving an impression of no congestion.
- Changing EPS parameters dynamically does not automatically update congestion monitoring statistics. Therefore, it is recommended that the congestion monitoring statistics are cleared after changing the values of EPS parameters.
- If EPS is configured under a LAG, the failure of the active link causes an interruption in statistics collection.

## Frame-Based Accounting

The standard accounting mechanism uses ‘packet based’ rules that account for the DLC header, any existing tags, Ethernet payload and the 4 byte CRC. The Ethernet framing overhead which includes the Inter-Frame Gap (IFG) and preamble (20 bytes total) are not included in packet based accounting. When frame based accounting is enabled, the 20 byte framing overhead is included in the queue CIR, PIR and scheduling operations allowing the operations to take into consideration on-wire bandwidth consumed by each Ethernet packet.

Since the native queue accounting functions (stats, CIR and PIR) are based on packet sizes and do not include Ethernet frame encapsulation overhead, the system must manage the conversion between packet based and frame based accounting. To accomplish this, the system requires that a queue operates in frame based accounting mode, and must be managed by a virtual scheduler policy or by a port virtual scheduler policy. Egress queues can use either port or service schedulers to accomplish frame based accounting, but ingress queues are limited to service based scheduling policies.

Turning on frame based accounting for a queue is accomplished through a frame based accounting command defined on the scheduling policy level associated with the queue or through a queue frame based accounting parameter on the aggregate rate limit command associated with the queues SAP, multi-service site or subscriber or multi-service site context.

## Operational Modifications

To add frame overhead to the existing QoS Ethernet packet handling functions, the system uses the already existing virtual scheduling capability of the system. The system currently monitors each queue included in a virtual scheduler to determine its offered load. This offered load value is interpreted based on the queues defined CIR and PIR threshold rates to determine bandwidth offerings from the queues virtual scheduler. When egress port based virtual scheduling was added, frame based usage on the wire was added to allow for the port bandwidth to be accurately allocated to each child queue on the port.

## Existing Egress Port Based Virtual Scheduling

The port based virtual scheduling mechanism takes the native packet based accounting results from the queue and adds 20 bytes to each packet to derive the queue's frame based offered load. The ratio between the frame based offered load and the packet based offered load is then used to determine the effective frame based CIR and frame based PIR thresholds for the queue. Once the port virtual scheduler computes the amount of bandwidth allowed to the queue (in a frame based fashion), the bandwidth is converted back to a packet based value and used as the queue's operational PIR. The queue's native packet based mechanisms continue to function, but the maximum operational rate is governed by frame based decisions.

## Queue Behavior Modifications for Frame Based Accounting

The frame based accounting feature extends this capability to allow the queue CIR and PIR thresholds to be defined as frame based values as opposed to packet based values. The queue continues to internally use its packet based mechanisms, but the provisioned frame based CIR and PIR values are continuously revalued based on the ratio between the calculated frame based offered load and actual packet based offered load. As a result, the queue's operational packet based CIR and PIR are accurately modified during each iteration of the virtual scheduler to represent the provisioned frame based CIR and PIR.

## Virtual Scheduler Rate and Queue Rate Parameter Interpretation

Normally, a scheduler policy contains rates that indicate packet based accounting values. When the children queues associated with the policy are operating in frame based accounting mode, the parent schedulers must also be governed by frame based rates. Since either port based or service based virtual scheduling is required for queue frame based operation, enabling frame based operation is configured at either the scheduling policy or aggregate rate limit command level. All queues associated with the policy or the aggregate rate limit command will inherit the frame based accounting setting from the scheduling context.

When frame based accounting is enabled, the queues CIR and PIR settings are automatically interpreted as frame based values. If a SAP ingress QoS policy is applied with a queue PIR set to 100Mbps on two different SAPs, one associated with a policy with frame based accounting enabled and the other without frame based accounting enabled, the 100Mbps rate will be interpreted differently for each queue. The frame based accounting queue will add 20 bytes to each packet received by the queue and limit the rate based on the extra overhead. The packet based accounting queue will not add the 20 bytes per packet and thus allow more packets through per second.

Similarly, the rates defined in the scheduling policy with frame based accounting enabled will automatically be interpreted as frame based rates.

The port based scheduler aggregate rate limit command always interprets its configured rate limit value as a frame based rate. Setting the frame based accounting parameter on the aggregate rate limit command only affects the queues managed by the aggregate rate limit and converts them from packet based to frame based accounting mode.

## Virtual Scheduling Unused Bandwidth Distribution

The Hierarchical QoS (HQoS) mechanism is designed to enforce a user definable hierarchical shaping behavior on an arbitrary set of queues. The mechanism accomplishes this by monitoring the offered rate of each queue and using the result as an input to a virtual scheduler hierarchy defined by the user. The hierarchy consists of a number of virtual scheduler with configurable maximum rates per scheduler and attachment parameters between each. The parameters consist of weights and priority levels used to distribute the available bandwidth in a top down fashion through the hierarchy with the queues at the bottom. The resulting bandwidth provided to each member queue by the virtual schedulers is then configured as an operational PIR on the corresponding hardware queue, which prevents that queue from receiving more hardware scheduler bandwidth than dictated by the virtual scheduler.

## Default Unused Bandwidth Distribution

The default behavior of HQoS is to only throttle active queues currently exceeding their allocated bandwidth by the virtual schedulers controlling the active queue. A queue that is currently operating below its share of bandwidth is allowed an operational PIR greater than its current rate, this includes inactive queues. The operational PIR for a queue is capped by its admin PIR and set to the queue's fair-share of the available bandwidth based on its priority level in the HQoS hierarchy and its weight within that priority level. The result is that between HQoS iterations, a queue below its share of bandwidth may burst to a higher rate and momentarily overrun the prescribed aggregate rate.

This default behavior works well in situations where an aggregate rate is being applied as a customer capping function to limit excessive use of network resources. However, in certain circumstances where an aggregate rate must be maintained due to limited downstream QoS abilities or due to downstream priority unaware aggregate policing, a more conservative behavior is required. The following functions can be used to control the unused bandwidth distribution:

- The **above-offered-cap** command within the **adv-config-policy** provides control of each queue's operational PIR to prevent aggregate rate overrun. This is accomplished by defining how much a queue's operational PIR is allowed to exceed the queue's current allocated bandwidth.
- The **limit-unused-bandwidth** (LUB) command.

## Limit Unused Bandwidth

The limit-unused-bandwidth (LUB) command protects against exceeding the aggregated bandwidth by adding a LUB second-pass to the HQoS function, which ensures that the aggregate fair-share bandwidth does not exceed the aggregate rate.

The command can be applied on any tier 1 scheduler within an egress scheduler policy or within any agg-rate node (except when using the HS-MDA) and affects all queues controlled by the object.

When LUB is enabled, the LUB second pass is performed as part of the HQoS algorithm. The order of operation between HQoS and LUB is as follows:

- Queue offered rate calculation.
- Offered rate modifications based on **adv-config-policy offered-measurement** parameters.
- HQoS Bandwidth determination based on modified offered-rates.
- LUB second pass to ensure aggregate rates are not exceeded where LUB enabled.
- Bandwidth distribution modification based on **adv-config-policy bandwidth-distribution** parameters.
- Each queue's operational PIR is then modified.

When LUB is enabled on a scheduler rate or aggregate rate, a LUB context is created containing the rate and the associated queues the rate controls. Because a queue may be controlled by multiple LUB enabled rates in a hierarchy, a queue may be associated with multiple LUB contexts.

LUB is applied to the contexts where it is enabled. LUB first considers how much of the aggregate rate is unused by the aggregate rates of each member queue after the first pass of the HQoS algorithm. This represents the current bandwidth that may be distributed between the member queues. LUB then distributes the available bandwidth to its member queues based on each queue's LUB-weight. A queue's LUB-weight is determined as follows:

- If a queue is using all of its default H-QoS assigned rate then its LUB-weight is 0. It is not participating in the bandwidth distribution as it cannot accept more bandwidth.

## Overview

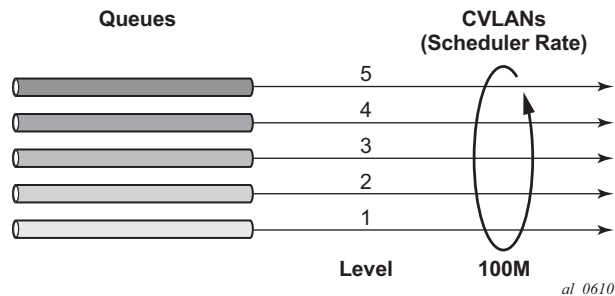
- Else if a queue has accumulated work then its LUB-weight is set to 50. The work is determined by the queue having built up a depth of packets, or its offered rate is increasing since last sample period. The aim is to assign more of the unused bandwidth to queues needing more capacity. No attempt is made to distribute based on a queue's relative priority level or weight within the hierarchy.
- Otherwise, a queue's LUB-weight is 1

The resulting operational PIRs are then set such that the scheduler or agg-rate rate is not exceeded. To achieve the best precision, queues must be configured to use **adaptation-rule pir max cir max** to prevent the actual queue rate used exceeds that determined by LUB.

### Example

Taking a simple scenario with 5 egress SAP queues all without rates configured but with each queue parented to a different level in a parent scheduler which has a rate of 100Mb/s, see [Figure 33](#).

**Figure 33: Limit Unused Bandwidth Example**



The resulting bandwidth distribution is shown in [Figure 34](#). Firstly, when no traffic is being sent with and without LUB applied, then when 20Mbps and 40Mbps are sent on queues 3 and 5, respectively, again with and without LUB applied. As can be seen, the distribution of bandwidth in the case where traffic is sent and LUB is enabled is based upon the LUB-weights described above.



Figure 34: Resulting Bandwidth Distribution

| No Traffic      |               |                   | Traffic in Q5 & Q3 |               |                   |
|-----------------|---------------|-------------------|--------------------|---------------|-------------------|
| Offered Traffic | Default H-Qos | Second Pass (LUB) | Offered Traffic    | Default H-Qos | Second Pass (LUB) |
| 0               | 100           | 20                | 40                 | 100           | $59.39=40+19.39$  |
| 0               | 100           | 20                | 0                  | 60            | $0.39=0+0.39$     |
| 0               | 100           | 20                | 20                 | 60            | $39.42=20+19.42$  |
| 0               | 100           | 20                | 0                  | 40            | $0.39=0+0.39$     |
| 0               | 100           | 20                | 0                  | 40            | $0.39=0+0.39$     |

|                                                             |                                                                                       |                                                                                                                           |                                                                                                  |
|-------------------------------------------------------------|---------------------------------------------------------------------------------------|---------------------------------------------------------------------------------------------------------------------------|--------------------------------------------------------------------------------------------------|
| <p>Each queue can burst to the full available capacity.</p> | <p>Each queue can burst to 1/5<sup>th</sup> of the available capacity. [100/5=20]</p> | <p>Each queue can burst to the available capacity at that level. (full capacity minus capacity used by higher levels)</p> | <p>Each queue can burst to the used capacity plus its allocated part of the unused capacity.</p> |
|-------------------------------------------------------------|---------------------------------------------------------------------------------------|---------------------------------------------------------------------------------------------------------------------------|--------------------------------------------------------------------------------------------------|

al\_0611

## Configuring Port Scheduler Policies

### Port Scheduler Structure

Every port scheduler supports eight strict priority levels with a two pass bandwidth allocation mechanism for each priority level. Priority levels 8 through 1 (level 8 is the highest priority) are available for port-parent association for child queues and schedulers. Each priority level supports a maximum rate limit parameter that limits the amount of bandwidth that may be allocated to that level. A CIR parameter is also supported that limits the amount of bandwidth allocated to the priority level for the child queue’s offered load, within their defined CIR. An overall maximum rate parameter defines the total bandwidth that will be allocated to all priority levels.

### Special Orphan Queue and Scheduler Behavior

When a port scheduler is present on an egress port or channel, the system ensures that all queues and schedulers receive bandwidth from that scheduler to prevent free-running queues which can cause the aggregate operational PIR of the port or channel to oversubscribe the bandwidth available. When the aggregate maximum rate for the queues on a port or channel operate above the available line rate, the forwarding ratio between the queues will be affected

by the hardware schedulers on the port and may not reflect the scheduling defined on the port or intermediate schedulers. Queues and schedulers that are either explicitly attached to the port scheduler using the port-parent command or are attached to an intermediate scheduler hierarchy that is ultimately attached to the port scheduler are managed through the normal eight priority levels. Queues and schedulers that are not attached directly to the port scheduler and are not attached to an intermediate scheduler that itself is attached to the port scheduler are considered orphaned queues and, by default, are tied to priority 1 with a weight of 0. All weight 0 queues and schedulers at priority level 1 are allocated bandwidth after all other children and each weight 0 child is given an equal share of the remaining bandwidth. This default orphan behavior may be overridden at the port scheduler policy by using the orphan-override command. The orphan-override command accepts the same parameters as the port-parent command. When the orphan-override command is executed, the parameters will be used as the port parent parameters for all orphans associated with a port using the port scheduler policy.

## Packet to Frame Bandwidth Conversion

Another difference between the service level scheduler-policy and the port level port-scheduler-policy is in bandwidth allocation behavior. The port scheduler is designed to offer on-the-wire bandwidth. For Ethernet ports, this includes the IFG and the preamble for each frame and represents 20 bytes total per frame. The queues and intermediate service level schedulers (a service level scheduler is a scheduler instance at the SAP, multi-service site or subscriber or multi-service site profile level) operate based on packet overhead which does not include the IFG or preamble on Ethernet packets. In order for the port based virtual scheduling algorithm to function, it must convert the queue and service scheduler packet based required bandwidth and bandwidth limiters (CIR and rate PIR) to frame based values. This is accomplished by adding 20 bytes to each Ethernet frame offered at the queue level to calculate a frame based offered load. Then the algorithm calculates the ratio increase between the packet based offered load and the frame based offered load and uses this ratio to adapt the CIR and rate PIR values for the queue to frame-CIR and frame-PIR values. When a service level scheduler hierarchy is between the queues and the port based schedulers, the ratio between the average frame-offered-load and the average packet-offered-load is used to adapt the scheduler's packet based CIR and rate PIR to frame based values. The frame based values are then used to distribute the port based bandwidth down to the queue level.

Packet over SONET (PoS) and SDH queues on the 7450 ESS and 7750 SR also operate based on packet sizes and do not include on-the-wire frame overhead. Unfortunately, the port based virtual scheduler algorithm does not have access to all the frame encapsulation overhead occurring at the framer level. Instead of automatically calculating the difference between packet-offered-load and frame-offered-load, the system relies on a provisioned value at the queue level. This avg-frame-overhead parameter is used to calculate the difference between the packet-offered-load and the frame-offered-load. This difference is added to the packet-offered-load to derive the frame-offered-load. Proper setting of this percentage value is

required for proper bandwidth allocation between queues and service schedulers. If this value is not attainable, another approach is to artificially lower the maximum rate of the port scheduler to represent the average port framing overhead. This, in conjunction with a zero or low value for avg-frame-overhead, will ensure that the allocated queue bandwidth will control forwarding behavior instead of the low level hardware schedulers.

## **Aggregate Rate Limits for Directly Attached Queues**

When all queues for a SAP, multi-service site or subscriber or multi-service site instance are attached directly to the port scheduler (using the port-parent command), it is possible to configure an agg-rate-limit for the queues. This is beneficial since the port scheduler does not provide a mechanism to enforce an aggregate SLA for a service or subscriber or multi-service site and the agg-rate-limit provides this ability. Queues may be provisioned directly on the port scheduler when it is desirable to manage the congestion at the egress port based on class priority instead of on a per service object basis.

The agg-rate-limit is not supported when one or more queues on the object are attached to an intermediate service scheduler. In this event, it is expected that the intermediate scheduler hierarchy will be used to enforce the aggregate SLA. Attaching an agg-rate-limit is mutually exclusive to attaching an egress scheduler policy at the SAP or subscriber or multi-service site profile level. Once an aggregate rate limit is in effect, a scheduler policy cannot be assigned. Once a scheduler policy is assigned on the egress side of a SAP or subscriber or multi-service site profile, an agg-rate-limit cannot be assigned.

Since the sap-egress policy defines a queue's parent association before the policy is associated with a service SAP or subscriber or multi-service site profile, it is possible for the policy to either not define a port-parent association or define an intermediate scheduler parenting that does not exist. As stated above, queues in this state are considered to be orphaned and automatically attached to port scheduler priority 1. Orphaned queues are included in the aggregate rate limiting behavior on the SAP or subscriber or multi-service site instance they are created within.

## **SAP Egress QoS Policy Queue Parenting**

A sap-egress QoS policy queue may be associated with either a port parent or an intermediate scheduler parent. The validity parent definition cannot be checked at the time it is provisioned since the application of the QoS policy is not known until it is applied to an egress SAP or subscriber or multi-service site profile. It is allowed to have port or intermediate parenting decided on a queue by queue basis, some queues tied directly to the port scheduler priorities while other queues are attached to intermediate schedulers.

## Network Queue QoS Policy Queue Parenting

A network-queue policy only supports direct port parent priority association. Intermediate schedulers are not supported on network ports or channels.

## Egress Port Scheduler Overrides

Once a port scheduler has been associated with an egress port, it is possible to override the following parameters:

- The max-rate allowed for the scheduler.
- The maximum rate for each priority level 8 through 1.
- The CIR associated with each priority level 8 through 1.

The orphan priority level (level 1) has no configuration parameters and cannot be overridden.

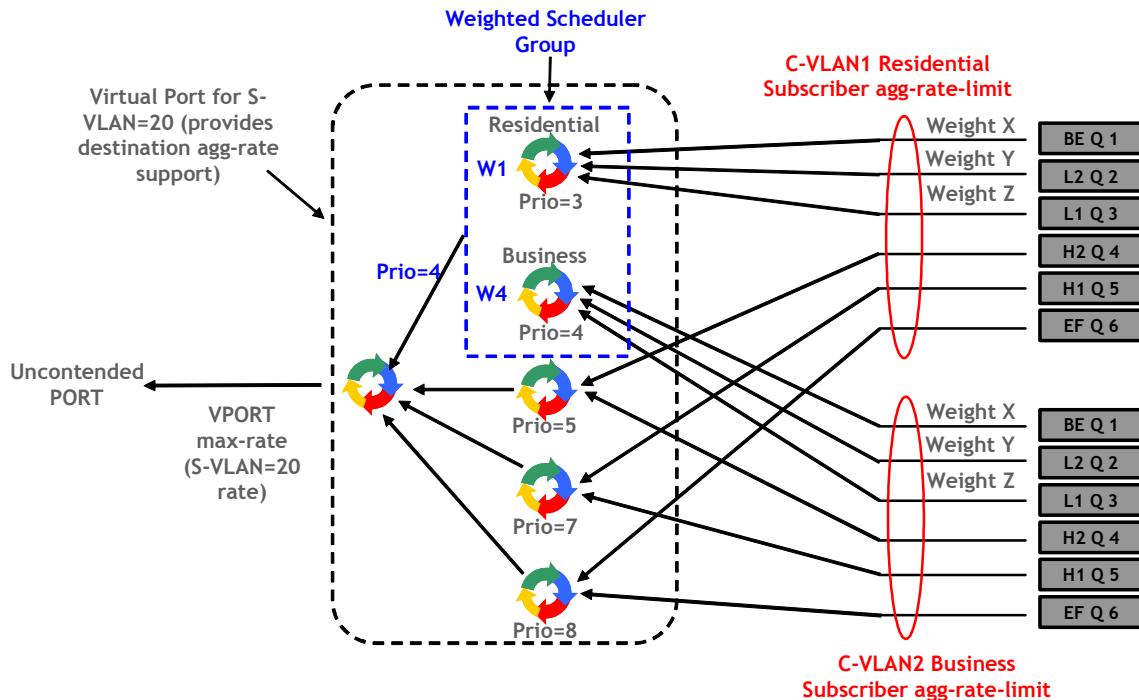
## Applying a Port Scheduler Policy to a Virtual Port

In order to represent a downstream network aggregation node in the local node scheduling hierarchy, a new scheduling node, referred to as virtual port, and vport in CLI have been introduced. The vport operates exactly like a port scheduler except multiple vport objects can be configured on the egress context of an Ethernet port.

This feature applies to the 7450 ESS and 7750 SR only.

[Figure 35](#) illustrates the use of the vport on an Ethernet port of a Broadband Network Gateway (BNG). In this case, the vport represents a specific downstream DSLAM.

Figure 35: Applying a Port Scheduler Policy to a Vport



The user adds a vport to an Ethernet port using the following command:

```
CLI Syntax: configure>port>ethernet>access>egress>vport vport-name
 create
```

The vport is always configured at the port level even when a port is a member of a LAG. The vport name is local to the port it is applied to but must be the same for all member ports of a LAG. It however does not need to be unique globally on a chassis.

The user applies a port scheduler policy to a vport using the following command:

```
CLI Syntax: configure>port>ethernet>access>egress>vport>port-
 scheduler-policy port-scheduler-policy-name
```

A Vport cannot be parented to the port scheduler when it is using a port scheduler policy itself. It is thus important the user ensures that the sum of the **max-rate** parameter value in the port scheduler policies of all Vport instances on a given egress Ethernet port does not oversubscribe the port's rate. If it does, the scheduling behavior degenerates to that of the H/W scheduler on that port. A Vport which uses an **agg-rate**, or a scheduler-policy can be parented to a port scheduler. This is explained in Section Applying Aggregate Rate Limit to a VPORT. The application of the **agg-rate rate**, **port-scheduler-policy** and **scheduler-policy** commands under a VPORT are mutually exclusive.

Each subscriber host queue is port parented to the Vport which corresponds to the destination DSLAM using the existing port-parent command:

**CLI Syntax:** `configure>qos>sap-egress>queue>port-parent [weight weight] [level level] [cir-weight cir-weight] [cir-level cir-level]`

This command can parent the queue to either a port or to a Vport. These operations are mutually exclusive in CLI as explained above. When parenting to a Vport, the parent Vport for a subscriber host queue is not explicitly indicated in the above command. It is determined indirectly. The determination of the parent Vport for a given subscriber host queue is described in the 7750 SR OS Triple Play Guide.

Subscriber host queues, SLA profile schedulers, subscriber profile scheduler and PW SAPs (in IES or VPRN services) can be parented to a VPORT.

## Applying Aggregate Rate Limit to a VPORT

The user can apply an aggregate rate limit to the Vport and apply a port scheduler policy to the port.

This model allows the user to over subscribe the Ethernet port. The application of the **agg-rate** option is mutually exclusive with the application of a port scheduler policy, or a scheduler policy to a VPORT.

When using this model, a subscriber host queue with the **port-parent** option enabled is scheduled within the context of the port's port scheduler policy. More details are provided in the 7750 SR OS Triple Play Guide.

## Applying a Scheduler Policy to a VPORT

The user can apply a scheduler policy to the VPORT. This allows scheduling control of subscriber tier 1 schedulers in a scheduler policy applied to the egress of a subscriber or SLA profile, or to a PW SAP in an IES or VPRN service. This feature applies only to the 7450 ESS and 7750 SR.

The advantage of using a scheduler policy under a VPORT, compared to the use of a port scheduler (with or without an agg-rate rate), is that it allows a port parent to be configured at the VPORT level as well as allowing the user to oversubscribe the Ethernet port.

Bandwidth distribution from an egress port scheduler to a VPORT configured with a scheduler policy can be performed based on the level/cir-level and weight/cir-weight configured under the scheduler's port parent. The result is in allowing multiple VPORTs, for example representing different DSLAMs, to share the port bandwidth capacity in a flexible way that is under the control of the user.

The configuration of a scheduler policy under a VPORT is mutually exclusive with the configuration of a port scheduler policy or an aggregate rate limit.

A scheduler policy is configured under a VPORT as follows:

**CLI Syntax:** `config>port>ethernet>access>egress>vport# scheduler-policy scheduler-policy-name`

When using this model, a tier 1 scheduler in a scheduling policy applied to a subscriber profile or SLA profiles must be configured as follows:

**CLI Syntax:** `config>qos>scheduler-policy>tier# parent-location vport`

If the VPORT exists, but the port does not have a port scheduler policy applied, then its schedulers will be orphaned and no port level QOS control can be enforced.

The following **show/clear** commands are available related to the VPORT scheduler:

```
show qos scheduler-hierarchy port port-id vport name
[scheduler scheduler-name] [detail]
```

```
show qos scheduler-stats port port-id vport name
[scheduler scheduler-name] [detail]
```

```
clear qos scheduler-stats port port-id vport name
[scheduler scheduler-name] [detail]
```

HQoS adjustment and host tracking are not supported on schedulers that are configured in a scheduler policy on a VPORT, so the configuration of a scheduler policy under a VPORT is mutually exclusive with the configuration of the egress-rate-modify parameter.

ESM over MPLS pseudowires are not supported when a scheduler policy is configured on a VPORT.

## Weighted Scheduler Group in a Port Scheduler Policy

The existing port scheduler policy defines a set of eight priority levels with no ability of grouping levels within a single priority. In order to allow for the application of a scheduling weight to groups of queues competing at the same priority level of the port scheduler policy applied to the vport, or to the Ethernet port, a new group object is defined under the port scheduler policy:

**CLI Syntax:** `configure>qos>port-scheduler-policy>group group-name  
rate pir-rate[cir cir-rate]`

Up to eight groups can be defined within each port scheduler policy. One or more levels can map to the same group. A group has a rate and optionally a cir-rate and inherits the highest scheduling priority of its member levels. For example, the scheduler group for the 7450 ESS and 7750 SR shown in the vport in [Figure 35](#) consists of level priority 3 and level priority 4. It thus inherits priority 4 when competing for bandwidth with the standalone priority levels 8, 7, and 5.

In essence, a group receives bandwidth from the port or from the vport and distributes it within the member levels of the group according to the weight of each level within the group. Each priority level will compete for bandwidth within the group based on its weight under congestion situation. If there is no congestion, a priority level can achieve up to its rate (cir-rate) worth of bandwidth.

The mapping of a level to a group is performed as follows:

**CLI Syntax:** `configure>qos>port-scheduler-policy>level priority-  
level rate pir-rate [cir cir-rate] group group-name  
[weight weight-in-group]`

CLI will enforce that mapping of levels to a group are contiguous. In other words, a user would not be able to add priority level to group unless the resulting set of priority levels is contiguous.

When a level is not explicitly mapped to any group, it maps directly to the root of the port scheduler at its own priority like in existing behavior.

## Basic Configurations

A basic QoS scheduler policy must conform to the following:

- Each QoS scheduler policy must have a unique policy ID.
- A tier level 1 parent scheduler name cannot be configured.



A basic QoS port scheduler policy must conform to the following:

- Each QoS port scheduler policy must have a unique policy name.

## Create a QoS Scheduler Policy

Configuring and applying QoS policies is optional. If no QoS policy is explicitly applied to a SAP or IP interface, a default QoS policy is applied.

To create a scheduler policy, define the following:

- A scheduler policy ID value. The system will not dynamically assign a value.
- Include a description. The description provides a brief overview of policy features.
- Specify the tier level. A tier identifies the level of hierarchy that a group of schedulers are associated with.
- Specify a scheduler name. A scheduler defines bandwidth controls that limit each child (other schedulers and queues) associated with the scheduler.
- Specify a parent scheduler name to be associated with a level 2 or 3 tier.
- You can modify the bandwidth that the scheduler can offer its child queues or schedulers. Otherwise, the scheduler will be allowed to consume bandwidth without a scheduler-defined limit.

The following displays a scheduler policy configuration:

```
A:ALA-12>config>qos# info
#-----
echo "QoS Policy Configuration"
#-----
...
 scheduler-policy "SLA1" create
 description "NetworkControl(3), Voice(2) and NonVoice(1) have strict
priorities"
 tier 1
 scheduler "All_traffic" create
 description "All traffic goes to this scheduler eventually"
 rate 11000
 exit
 exit
 tier 2
 scheduler "NetworkControl" create
 description "network control traffic within the VPN"
 parent All_traffic level 3 cir-level 3
 rate 100
 exit
 scheduler "NonVoice" create
 description "NonVoice of VPN and Internet traffic will be serviced
by this scheduler"
 parent All_traffic cir-level 1
```

## Overview

```

 rate 11000
 exit
 scheduler "Voice" create
 description "Any voice traffic from VPN and Internet use this
scheduler"
 parent All_traffic level 2 cir-level 2
 rate 5500
 exit
exit
tier 3
 scheduler "Internet_be" create
 parent NonVoice cir-level 1
 exit
 scheduler "Internet_priority" create
 parent NonVoice level 2 cir-level 2
 exit
 scheduler "Internet_voice" create
 parent Voice
 exit
 scheduler "VPN_be" create
 parent NonVoice cir-level 1
 exit
 scheduler "VPN_nc" create
 parent NetworkControl
 rate 100 cir 36
 exit
 scheduler "VPN_priority" create
 parent NonVoice level 2 cir-level 2
 exit
 scheduler "VPN_reserved" create
 parent NonVoice level 3 cir-level 3
 exit
 scheduler "VPN_video" create
 parent NonVoice level 5 cir-level 5
 rate 1500 cir 1500
 exit
 scheduler "VPN_voice" create
 parent Voice
 rate 2500 cir 2500
 exit
exit
exit
sap-ingress 100 create
 description "Used on VPN sap"
...

A:ALA-12>config>qos#
```

## Applying Scheduler Policies

Apply scheduler policies to the following entities:

- [Customer](#)
- [Epipe](#)

- [IES](#)
- [VPLS](#)
- [VPRN](#)

## Customer

Use the following CLI syntax to associate a scheduler policy to a customer's multiservice site:

```
CLI Syntax: config>customer customer-id
 multiservice-site customer-site-name
 egress
 scheduler-policy scheduler-policy-name
 ingress
 scheduler-policy scheduler-policy-name
```

## Epipe

Use the following CLI syntax to apply QoS policies to ingress and/or egress Epipe SAPs:

```
CLI Syntax: config>service# epipe service-id [customer customer-id]
 sap sap-id
 egress
 scheduler-policy scheduler-policy-name
 ingress
 scheduler-policy scheduler-policy-name

 config>service# epipe service-id [customer customer-id]
 sap sap-id
 egress
 qos sap-egress-policy-id
 ingress
 qos sap-ingress-policy-id
```

The following output displays an Epipe service configuration with SAP scheduler policy SLA2 applied to the SAP ingress and egress.

```
A:SR>config>service# info

 epipe 6 customer 6 vpn 6 create
 description "Distributed Epipe service to west coast"
 sap 1/1/10:0 create
 ingress
 scheduler-policy "SLA2"
 qos 100
```

## Overview

```
 exit
 egress
 scheduler-policy "SLA2"
 qos 1010
 exit
 exit
...

A:SR>config>service#
```

## IES

Use the following CLI syntax to apply scheduler policies to ingress and/or egress IES SAPs:

**CLI Syntax:**

```
config>service# ies service-id [customer customer-id]
interface ip-int-name
 sap sap-id
 egress
 scheduler-policy scheduler-policy-name
 ingress
 scheduler-policy scheduler-policy-name
```

The following output displays an IES service configuration with scheduler policy SLA2 applied to the SAP ingress and egress.

```
A:SR>config>service# info

 ies 88 customer 8 vpn 88 create
 interface "Sector A" create
 sap 1/1/1.2.2 create
 ingress
 scheduler-policy "SLA2"
 qos 101
 exit
 egress
 scheduler-policy "SLA2"
 qos 1020
 exit
 exit
 exit
 no shutdown
 exit

A:SR>config>service#
```

## VPLS

Use the following CLI syntax to apply scheduler policies to ingress and/or egress VPLS SAPs:

**CLI Syntax:** config>service# vpls *service-id* [customer *customer-id*]  
 sap *sap-id*  
 egress  
     scheduler-policy *scheduler-policy-name*  
 ingress  
     scheduler-policy *scheduler-policy-name*

The following output displays an VPLS service configuration with scheduler policy SLA2 applied to the SAP ingress and egress.

```
A:SR>config>service# info

...
 vpls 700 customer 7 vpn 700 create
 description "test"
 stp
 shutdown
 exit
 sap 1/1/9:0 create
 ingress
 scheduler-policy "SLA2"
 qos 100
 exit
 egress
 scheduler-policy "SLA2"
 exit
 exit
 spoke-sdp 2:222 create
 exit
 mesh-sdp 2:700 create
 exit
 no shutdown
exit
...

A:SR>config>service#
```

## VPRN

Use the following CLI syntax to apply scheduler policies to ingress and/or egress VPRN SAPs on the 7750 SR and 7950 XRS:

**CLI Syntax:** config>service# vprn *service-id* [customer *customer-id*]  
 interface *ip-int-name*  
 sap *sap-id*  
 egress  
     scheduler-policy *scheduler-policy-name*  
 ingress  
     scheduler-policy *scheduler-policy-name*

The following output displays a VPRN service configuration with the scheduler policy SLA2 applied to the SAP ingress and egress.

```
A:SR7>config>service# info

...
 vprn 1 customer 1 create
 ecmp 8
 autonomous-system 10000
 route-distinguisher 10001:1
 auto-bind-tunnel
 resolution-filter
 resolution-filter ldp
 vrf-target target:10001:1
 interface "to-ce1" create
 address 11.1.0.1/24
 sap 1/1/10:1 create
 ingress
 scheduler-policy "SLA2"
 exit
 egress
 scheduler-policy "SLA2"
 exit
 exit
 exit
 no shutdown
 exit
 epipe 6 customer 6 vpn 6 create

A:SR7>config>service#
```

## Creating a QoS Port Scheduler Policy

Configuring and applying QoS port scheduler policies is optional. If no QoS port scheduler policy is explicitly applied to a SAP or IP interface, a default QoS policy is applied.

To create a port scheduler policy, define the following:

- A port scheduler policy name.
- Include a description. The description provides a brief overview of policy features.

Use the following CLI syntax to create a QoS port scheduler policy.

The **create** keyword is included in the command syntax upon creation of a policy.

```
CLI Syntax: config>qos
 port-scheduler-policy scheduler-policy-name [create]
 description description-string
 level priority-level rate pir-rate [cir cir-rate]
 max-rate rate
```

```
orphan-override [level priority-level] [weight
weight] [cir-level priority-level] [cir-weight
cir-weight]
```

The following displays a scheduler policy configuration example:

```
*A:ALA-48>config>qos>port-sched-plcy# info

description "Test Port Scheduler Policy"
orphan-override weight 50 cir-level 4 cir-weight 50

*A:ALA-48>config>qos>port-sched-plcy#
```

## Configuring Port Parent Parameters

The **port-parent** command defines a child/parent association between an egress queue and a port based scheduler or between an intermediate service scheduler and a port based scheduler. The command may be issued in three distinct contexts; **sap-egress>queue** *queue-id*, and **network-queue> queue** *queue-id* and **scheduler-policy>scheduler** *scheduler-name* the **network-queue> queue** *queue-id* context. The **port-parent** command allows for a set of within-cir and above-cir parameters that define the port priority levels and weights for the queue or scheduler. If the port-parent command is executed without any parameters, the default parameters are assumed.

## Within-CIR Priority Level Parameters

The within-cir parameters define which port priority level the queue or scheduler should be associated with when receiving bandwidth for the queue or schedulers within-cir offered load. The within-cir offered load is the amount of bandwidth the queue or schedulers could use that is equal to or less than its defined or summed CIR value. The summed value is only valid on schedulers and is the sum of the within-cir offered loads of the children attached to the scheduler. The parameters that control within-cir bandwidth allocation are the port-parent commands cir-level and cir-weight keywords. The cir-level keyword defines the port priority level that the scheduler or queue uses to receive bandwidth for its within-cir offered load. The cir-weight is used when multiple queues or schedulers exist at the same port priority level for within-cir bandwidth. The weight value defines the relative ratio that is used to distribute bandwidth at the priority level when more within-cir offered load exists than the port priority level has bandwidth.

A cir-weight equal to zero (the default value) has special meaning and informs the system that the queue or scheduler does not receive bandwidth from the within-cir distribution. Instead all bandwidth for the queue or scheduler must be allocated in the port scheduler's above-cir pass.

## Above-CIR Priority Level Parameters

The above-cir parameters define which port priority level the queue or scheduler should be associated with when receiving bandwidth for the queue's or scheduler's above-cir offered load. The above-cir offered load is the amount of bandwidth the queue or scheduler could use that is equal to or less than its defined PIR value (based on the queue or scheduler's rate command) less any bandwidth that was given to the queue or scheduler during the above-cir scheduler pass. The parameters that control above-cir bandwidth allocation are the port-parent commands level and weight keywords. The level keyword defines the port priority level that the scheduler or queue uses to receive bandwidth for its above-cir offered load. The weight is used when multiple queues or schedulers exist at the same port priority level for above-cir bandwidth. The weight value defines the relative ratio that is used to distribute bandwidth at the priority level when more above-cir offered load exists than the port priority level has bandwidth.

**CLI Syntax:**

```
config>qos# scheduler-policy scheduler-policy-name
tier {1 | 2 | 3}
 scheduler scheduler-name
 port-parent [level priority-level] [weight
 priority-weight] [cir-level cir-priority-
 level] [cir-weight cir-priority-weight]
```

**CLI Syntax:**

```
config>qos#
sap-egress sap-egress-policy-id [create]
 queue queue-id [{auto-expedite | best-effort |
 expedite}] [priority-mode | profile-mode]
 [create]
 port-parent [level priority-level] [weight
 priority-weight] [cir-level cir-priority-
 level] [cir-weight cir-priority-weight]
```

**CLI Syntax:**

```
config>qos#
network-queue network-queue-policy-name [create]
no network-queue network-queue-policy-name
 queue queue-id [multipoint] [{auto-expedite | best-
 effort | expedite}] [priority-mode | profile-
 mode] [create]
 port-parent [level priority-level] [weight
 priority-weight] [cir-level cir-priority-
 level] [cir-weight cir-priority-weight]
```

## Configuring Distributed LAG Rate

The following output displays a sample configuration and explanation with and without **dist-lag-rate-shared**.



```

*B:ALU-A>config>port# info

 ethernet
 mode access
 egress-scheduler-policy "psp"
 autonegotiate limited
 exit
 no shutdown

*B:ALU-A>config>port# /configure lag 30
*B:ALU-A>config>lag# info

 description "Description For LAG Number 30"
 mode access
 port 2/1/6
 port 2/1/10
 port 3/2/1
 port 3/2/2
 no shutdown

*B:ALU-A>config>service>ies>if>sap# /configure qos port-scheduler-policy "psp"
*B:ALU-A>config>qos>port-sched-plcy# info

 max-rate 413202

```

Before enabling **dist-lag-rate-shared**, in the **port-scheduler-policy psp**, the max-rate achieved is twice 413202 kbps 816Mbps. This is because LAG has members from two different cards.

Two port-scheduler-instances are created, one on each card with the max-rate of 413202 kbps. This can be confirmed using the following show o/p.

Once dist-lag-rate-shared is enabled in port-scheduler-policy, this max-rate is enforced across all members of the LAG.

```

*B:ALU-A>config>service>ies>if>sap# /show qos scheduler-hierarchy sap lag-30 egress
detail
=====
Scheduler Hierarchy - Sap lag-30
=====
Egress Scheduler Policy :

Legend :
(*) real-time dynamic value
(w) Wire rates
B Bytes

Root (Egr)
| slot(2)
|--(S) : Tier0Egress:1->lag-30:0.0->1 (Port lag-30 Orphan)
| | AdminPIR:2000000 AdminCIR:0(sum)
| | Parent Limit Unused Bandwidth: not-found
| |
| | AvgFrmOv:101.65(*)

```

# Overview

```
AdminPIR:2000000 (w) AdminCIR:0 (w)

[Within CIR Level 0 Weight 0]
Assigned:0 (w) Offered:0 (w)
Consumed:0 (w)

[Above CIR Level 1 Weight 0]
Assigned:413202 (w) Offered:2000000 (w) <----without dist-lag-rate-shared 413MB
is assigned to slot 2
Consumed:413202 (w)

TotalConsumed:413202 (w)
OperPIR:406494

[As Parent]
OperPIR:406494 OperCIR:0
ConsumedByChildren:406494

-- (Q) : 1->lag-30 (2/1/6) ->1
AdminPIR:1000000 AdminCIR:0
Parent Limit Unused Bandwidth: not-found
AvgFrmOv:101.65 (*)
CBS:0 B MBS:1310720 B
Depth:1045760 B HiPrio:262144 B

[CIR]
Assigned:0 Offered:0
Consumed:0

[PIR]
Assigned:203247 Offered:1000000
Consumed:203247

OperPIR:205000 OperCIR:0

PktByteOffset:add 0*
OnTheWireRates:false
ATMOnTheWireRates:false
LastMileOnTheWireRates:false

-- (Q) : 1->lag-30 (2/1/10) ->1
AdminPIR:1000000 AdminCIR:0
Parent Limit Unused Bandwidth: not-found
AvgFrmOv:101.65 (*)
CBS:0 B MBS:1310720 B
Depth:1048320 B HiPrio:262144 B

[CIR]
Assigned:0 Offered:0
Consumed:0

[PIR]
Assigned:203247 Offered:1000000
Consumed:203247

OperPIR:205000 OperCIR:0
```

```

| | | PktByteOffset:add 0*
| | | OnTheWireRates:false
| | | ATMonTheWireRates:false
| | | LastMileOnTheWireRates:false
|
| slot(3)
|--(S) : Tier0Egress:1->lag-30:0.0->1 (Port lag-30 Orphan)
| | AdminPIR:2000000 AdminCIR:0(sum)
| | Parent Limit Unused Bandwidth: not-found
|
| | AvgFrmOv:101.65(*)
| | AdminPIR:2000000(w) AdminCIR:0(w)
|
| | [Within CIR Level 0 Weight 0]
| | Assigned:0(w) Offered:0(w)
| | Consumed:0(w)
|
| | [Above CIR Level 1 Weight 0]
| | Assigned:413202(w) Offered:2000000(w) <----without dist-lag-rate-shared 413MB
is assigned to slot 3
| | Consumed:413202(w)
|
| | TotalConsumed:413202(w)
| | OperPIR:406494
|
| | [As Parent]
| | OperPIR:406494 OperCIR:0
| | ConsumedByChildren:406494
|
|--(Q) : 1->lag-30(3/2/2)->1
| | AdminPIR:1000000 AdminCIR:0
| | Parent Limit Unused Bandwidth: not-found
| | AvgFrmOv:101.65(*)
| | CBS:0 B MBS:1253376 B
| | Depth:1106976 B HiPrio:147456 B
|
| | [CIR]
| | Assigned:0 Offered:0
| | Consumed:0
|
| | [PIR]
| | Assigned:203247 Offered:1000000
| | Consumed:203247
|
| | OperPIR:203125 OperCIR:0
|
| | PktByteOffset:add 0*
| | OnTheWireRates:false
| | ATMonTheWireRates:false
| | LastMileOnTheWireRates:false
|
|--(Q) : 1->lag-30(3/2/1)->1
| | AdminPIR:1000000 AdminCIR:0
| | Parent Limit Unused Bandwidth: not-found
| | AvgFrmOv:101.65(*)
| | CBS:0 B MBS:1253376 B
| | Depth:1106976 B HiPrio:147456 B

```

## Overview

```
| | |
| | | [CIR]
| | | Assigned:0 Offered:0
| | | Consumed:0
| | |
| | | [PIR]
| | | Assigned:203247 Offered:1000000
| | | Consumed:203247
| | |
| | | OperPIR:203125 OperCIR:0
| | |
| | | PktByteOffset:add 0*
| | | OnTheWireRates:false
| | | ATMonTheWireRates:false
| | | LastMileOnTheWireRates:false
```

The following output shows **dist-lag-rate-shared** enabled.

```
*B:ALU-A>config>qos>port-sched-plcy# dist-lag-rate-shared
*B:ALU-A>config>qos>port-sched-plcy# info

 dist-lag-rate-shared
 max-rate 413202

*B:ALU-A>config>qos>port-sched-plcy# !/show

*B:ALU-A>config>qos>port-sched-plcy# /show qos scheduler-hierarchy sap lag-30 egress\
detail
=====
Scheduler Hierarchy - Sap lag-30
=====
Egress Scheduler Policy :

Legend :
(*) real-time dynamic value
(w) Wire rates
B Bytes

Root (Egr)
| slot(2)
|--(S) : Tier0Egress:1->lag-30:0.0->1 (Port lag-30 Orphan)
| | AdminPIR:2000000 AdminCIR:0(sum)
| | Parent Limit Unused Bandwidth: not-found
| |
| | AvgFrmOv:101.65(*)
| | AdminPIR:2000000(w) AdminCIR:0(w)
| |
| | [Within CIR Level 0 Weight 0]
| | Assigned:0(w) Offered:0(w)
| | Consumed:0(w)
| |
| | [Above CIR Level 1 Weight 0]
| | Assigned:206601(w) Offered:2000000(w) <----with dist-lag-rate-shared 206 Mb
is assigned to slot 2
| | Consumed:206601(w)
```

```

TotalConsumed:206601(w)
OperPIR:203247

[As Parent]
OperPIR:203247 OperCIR:0
ConsumedByChildren:203247

--(Q) : 1->lag-30(2/1/6)->1
| AdminPIR:1000000 AdminCIR:0
| Parent Limit Unused Bandwidth: not-found
| AvgFrmOv:101.65(*)
| CBS:0 B MBS:1310720 B
| Depth:1045760 B HiPrio:262144 B
|
| [CIR]
| Assigned:0 Offered:0
| Consumed:0
|
| [PIR]
| Assigned:101624 Offered:1000000
| Consumed:101624
|
| OperPIR:102000 OperCIR:0
|
| PktByteOffset:add 0*
| OnTheWireRates:false
| ATMonTheWireRates:false
| LastMileOnTheWireRates:false
|
--(Q) : 1->lag-30(2/1/10)->1
| AdminPIR:1000000 AdminCIR:0
| Parent Limit Unused Bandwidth: not-found
| AvgFrmOv:101.65(*)
| CBS:0 B MBS:1310720 B
| Depth:1047040 B HiPrio:262144 B
|
| [CIR]
| Assigned:0 Offered:0
| Consumed:0
|
| [PIR]
| Assigned:101624 Offered:1000000
| Consumed:101624
|
| OperPIR:102000 OperCIR:0
|
| PktByteOffset:add 0*
| OnTheWireRates:false
| ATMonTheWireRates:false
| LastMileOnTheWireRates:false
|
slot(3)
--(S) : Tier0Egress:1->lag-30:0.0->1 (Port lag-30 Orphan)
| AdminPIR:2000000 AdminCIR:0(sum)
| Parent Limit Unused Bandwidth: not-found
|
| AvgFrmOv:101.65(*)
| AdminPIR:2000000(w) AdminCIR:0(w)

```

# Overview

```

|
| [Within CIR Level 0 Weight 0]
| Assigned:0(w) Offered:0(w)
| Consumed:0(w)
|
| [Above CIR Level 1 Weight 0]
| Assigned:206601(w) Offered:2000000(w) <----with dist-lag-rate-shared 206 Mb
is assigned to slot 3
| Consumed:206601(w)
|
| TotalConsumed:206601(w)
| OperPIR:203247
|
| [As Parent]
| OperPIR:203247 OperCIR:0
| ConsumedByChildren:203247
|
| --(Q) : 1->lag-30(3/2/2)->1
| AdminPIR:1000000 AdminCIR:0
| Parent Limit Unused Bandwidth: not-found
| AvgFrmOv:101.65(*)
| CBS:0 B MBS:1253376 B
| Depth:1105728 B HiPrio:147456 B
|
| [CIR]
| Assigned:0 Offered:0
| Consumed:0
|
| [PIR]
| Assigned:101624 Offered:1000000
| Consumed:101624
|
| OperPIR:101500 OperCIR:0
|
| PktByteOffset:add 0*
| OnTheWireRates:false
| ATMOnTheWireRates:false
| LastMileOnTheWireRates:false
|
| --(Q) : 1->lag-30(3/2/1)->1
| AdminPIR:1000000 AdminCIR:0
| Parent Limit Unused Bandwidth: not-found
| AvgFrmOv:101.65(*)
| CBS:0 B MBS:1253376 B
| Depth:1105728 B HiPrio:147456 B
|
| [CIR]
| Assigned:0 Offered:0
| Consumed:0
|
| [PIR]
| Assigned:101624 Offered:1000000
| Consumed:101624
|
| OperPIR:101500 OperCIR:0
|
| PktByteOffset:add 0*
```

```

| | | OnTheWireRates:false
| | | ATMOnTheWireRates:false
| | | LastMileOnTheWireRates:false
| |

```

```

=====
*B:ALU-A>config>qos>port-sched-plcy#

```

If one of the member links of the LAG goes down, then the max-rate is divided among the remaining lag members.

Card 2 is assigned 137734 (1/3 of max-rate 413202)

Card 3 is assigned 275468 (2/3 of max-rate 413202)

```

*B:ALU-A>config>qos>port-sched-plcy# /show lag 30 detail

```

```

=====
LAG Details
=====

```

```

Description : Description For LAG Number 30

```

```

Details

```

```

Lag-id : 30 Mode : access
Adm : up Opr : up
Thres. Exceeded Cnt : 11 Port Threshold : 0
Thres. Last Cleared : 06/25/2014 21:47:49 Threshold Action : down
Dynamic Cost : false Encap Type : null
Configured Address : 00:1a:f0:1d:8b:c9 Lag-IfIndex : 1342177310
Hardware Address : 00:1a:f0:1d:8b:c9 Adapt Qos (access) : distribute
Hold-time Down : 0.0 sec Port Type : standard
Per-Link-Hash : disabled
Include-Egr-Hash-Cfg: disabled
Per FP Ing Queuing : disabled Per FP Egr Queuing : disabled
Per FP SAP Instance : disabled
LACP : disabled
Standby Signaling : lacp
Port weight : 0 gbps Number/Weight Up : 3
Weight Threshold : 0 Threshold Action : down

```

```

Port-id Adm Act/Stdby Opr Primary Sub-group Forced Prio

2/1/6 up active down yes 1 - 32768
2/1/10 up active up no 1 - 32768
3/2/1 up active up no 1 - 32768
3/2/2 up active up no 1 - 32768
=====

```

```

*B:ALU-A>config>qos>port-sched-plcy# /show qos scheduler-hierarchy sap lag-30 egress
detail

```

```

=====
Scheduler Hierarchy - Sap lag-30
=====

```

```

Egress Scheduler Policy :

```

```

Legend :

```

# Overview

(\*) real-time dynamic value  
(w) Wire rates  
B Bytes

```

Root (Egr)
| slot (2)
|--(S) : Tier0Egress:1->lag-30:0.0->1 (Port lag-30 Orphan)
| | AdminPIR:1000000 AdminCIR:0(sum)
| | Parent Limit Unused Bandwidth: not-found
| |
| | AvgFrmOv:101.65(*)
| | AdminPIR:1000000(w) AdminCIR:0(w)
| |
| | [Within CIR Level 0 Weight 0]
| | Assigned:0(w) Offered:0(w)
| | Consumed:0(w)
| |
| | [Above CIR Level 1 Weight 0]
| | Assigned:137734(w) Offered:1000000(w)
| | Consumed:137734(w)
| |
| | TotalConsumed:137734(w)
| | OperPIR:135498
| |
| | [As Parent]
| | OperPIR:135498 OperCIR:0
| | ConsumedByChildren:135498
| |
|--(Q) : 1->lag-30(2/1/6)->1
| | AdminPIR:1000000 AdminCIR:0
| | Parent Limit Unused Bandwidth: not-found
| | AvgFrmOv:101.65(*)
| | CBS:0 B MBS:1310720 B
| | Depth:0 B HiPrio:262144 B
| |
| | [CIR]
| | Assigned:0 Offered:0
| | Consumed:0
| |
| | [PIR]
| | Assigned:67749 Offered:0
| | Consumed:0
| |
| | OperPIR:68000 OperCIR:0
| |
| | PktByteOffset:add 0*
| | OnTheWireRates:false
| | ATMOnTheWireRates:false
| | LastMileOnTheWireRates:false
| |
|--(Q) : 1->lag-30(2/1/10)->1
| | AdminPIR:1000000 AdminCIR:0
| | Parent Limit Unused Bandwidth: not-found
| | AvgFrmOv:101.65(*)
| | CBS:0 B MBS:1310720 B
| | Depth:1044480 B HiPrio:262144 B
```



```

[CIR]
Assigned:0 Offered:0
Consumed:0

[PIR]
Assigned:135498 Offered:1000000
Consumed:135498

OperPIR:135000 OperCIR:0

PktByteOffset:add 0*
OnTheWireRates:false
ATMOnTheWireRates:false
LastMileOnTheWireRates:false

slot(3)
--(S) : Tier0Egress:1->lag-30:0.0->1 (Port lag-30 Orphan)
AdminPIR:2000000 AdminCIR:0(sum)
Parent Limit Unused Bandwidth: not-found

AvgFrmOv:101.65(*)
AdminPIR:2000000(w) AdminCIR:0(w)

[Within CIR Level 0 Weight 0]
Assigned:0(w) Offered:0(w)
Consumed:0(w)

[Above CIR Level 1 Weight 0]
Assigned:275468(w) Offered:2000000(w)
Consumed:275468(w)

TotalConsumed:275468(w)
OperPIR:270996

[As Parent]
OperPIR:270996 OperCIR:0
ConsumedByChildren:270996

--(Q) : 1->lag-30(3/2/2)->1
AdminPIR:1000000 AdminCIR:0
Parent Limit Unused Bandwidth: not-found
AvgFrmOv:101.65(*)
CBS:0 B MBS:1253376 B
Depth:1106976 B HiPrio:147456 B

[CIR]
Assigned:0 Offered:0
Consumed:0

[PIR]
Assigned:135498 Offered:1000000
Consumed:135498

OperPIR:135625 OperCIR:0

PktByteOffset:add 0*

```

## Overview

```
| | | OnTheWireRates:false
| | | ATMonTheWireRates:false
| | | LastMileOnTheWireRates:false
| | |
| | | --(Q) : 1->lag-30(3/2/1)->1
| | | AdminPIR:1000000 AdminCIR:0
| | | Parent Limit Unused Bandwidth: not-found
| | | AvgFrmOv:101.65(*)
| | | CBS:0 B MBS:1253376 B
| | | Depth:1105728 B HiPrio:147456 B
| | |
| | | [CIR]
| | | Assigned:0 Offered:0
| | | Consumed:0
| | |
| | | [PIR]
| | | Assigned:135498 Offered:1000000
| | | Consumed:135498
| | |
| | | OperPIR:135625 OperCIR:0
| | |
| | | PktByteOffset:add 0*
| | | OnTheWireRates:false
| | | ATMonTheWireRates:false
| | | LastMileOnTheWireRates:false
```

```
=====
*B:ALU-A>config>qos>port-sched-plcy#
```

The following output shows the **max-rate percent** value.

```
*B:ALU-A>config>qos>port-sched-plcy# info
```

```

max-rate percent 50.00

```

With **max-rate percent**, the **max-rate** is capped to the percent of the active LAG capacity.

When **max-rate** is configured as percentage and the **dist-lag-rate-shared** is ignored.

The group rate, level pir and cir rate can be entered as percent.

```
*B:ALU-A>config>qos>port-sched-plcy# info
```

```

dist-lag-rate-shared
max-rate percent 30.00
group "test" create
percent-rate 20.00 cir 20.00
exit
level 1 percent-rate 10.00 percent-cir 10.00
level 2 percent-rate 20.00 percent-cir 20.00
level 3 percent-rate 30.00 percent-cir 30.00
level 4 percent-rate 40.00 percent-cir 40.00
level 5 percent-rate 50.00 percent-cir 50.00
```

```
level 6 percent-rate 60.00 percent-cir 60.00
level 7 percent-rate 70.00 percent-cir 70.00
level 8 percent-rate 80.00 percent-cir 80.00
```

### Port scheduler-Overrides

Both max-rate and level can be overridden if they are of the same type as in the policy being overridden.

```
*B:ALU-A>config>port>ethernet>egr-sched-override$ info

max-rate percent 50.00
level 1 percent-rate 10.00 percent-cir 10.00
level 2 percent-rate 20.00 percent-cir 20.00
level 3 percent-rate 30.00 percent-cir 30.00
level 4 percent-rate 40.00 percent-cir 40.00
level 5 percent-rate 50.00 percent-cir 50.00
level 6 percent-rate 60.00 percent-cir 60.00
level 7 percent-rate 70.00 percent-cir 70.00
level 8 percent-rate 80.00 percent-cir 80.00
```

The following are additions to the to the show command output:

### Dist Lag Rate, Lvl and Group PIR and Cir Percent rates

```
*B:ALU-A>config>qos>port-sched-plcy# /show qos port-scheduler-policy "psp2"
=====
QoS Port Scheduler Policy
=====
Policy-Name : psp2
Description : (Not Specified)
Max Rate : max Max Rate Percent : 30.00
Dist LAG Rate : True Last changed : 07/16/2014 21:31:51
Group : test
Group PIR : max Group CIR : max
Group PIR Percent : 20.00 Group CIR Percent : 20.00

Lvl1 PIR : max Lvl1 CIR : max
Lvl1 PIR Percent : 10.00 Lvl1 CIR Percent : 10.00
Lvl2 PIR : max Lvl2 CIR : max
Lvl2 PIR Percent : 20.00 Lvl2 CIR Percent : 20.00
Lvl3 PIR : max Lvl3 CIR : max
Lvl3 PIR Percent : 30.00 Lvl3 CIR Percent : 30.00
Lvl4 PIR : max Lvl4 CIR : max
Lvl4 PIR Percent : 40.00 Lvl4 CIR Percent : 40.00
Lvl5 PIR : max Lvl5 CIR : max
Lvl5 PIR Percent : 50.00 Lvl5 CIR Percent : 50.00
Lvl6 PIR : max Lvl6 CIR : max
Lvl6 PIR Percent : 60.00 Lvl6 CIR Percent : 60.00
Lvl7 PIR : max Lvl7 CIR : max
Lvl7 PIR Percent : 70.00 Lvl7 CIR Percent : 70.00
Lvl8 PIR : max Lvl8 CIR : max
Lvl8 PIR Percent : 80.00 Lvl8 CIR Percent : 80.00
Orphan Lvl : default Orphan Weight : default
```

## Service Management Tasks

```
Orphan CIR-Lvl : default Orphan CIR-Weight : default

--snip--

Egr Port Sched Override

Max Rate : max* Max Rate Percent : 50.00
Lv11 PIR : max* Lv11 CIR : max*
Lv11 PIR Percent : 10.00 Lv11 CIR Percent : 10.00
Lv12 PIR : max* Lv12 CIR : max*
Lv12 PIR Percent : 20.00 Lv12 CIR Percent : 20.00
Lv13 PIR : max* Lv13 CIR : max*
Lv13 PIR Percent : 30.00 Lv13 CIR Percent : 30.00
Lv14 PIR : max* Lv14 CIR : max*
Lv14 PIR Percent : 40.00 Lv14 CIR Percent : 40.00
Lv15 PIR : max* Lv15 CIR : max*
Lv15 PIR Percent : 50.00 Lv15 CIR Percent : 50.00
Lv16 PIR : max* Lv16 CIR : max*
Lv16 PIR Percent : 60.00 Lv16 CIR Percent : 60.00
Lv17 PIR : max* Lv17 CIR : max*
Lv17 PIR Percent : 70.00 Lv17 CIR Percent : 70.00
Lv18 PIR : max* Lv18 CIR : max*
Lv18 PIR Percent : 80.00 Lv18 CIR Percent : 80.00
* means the value is inherited

```

## Service Management Tasks

This section discusses the following service management tasks:

- [Deleting QoS Policies](#)
- [Copying and Overwriting Scheduler Policies](#)
- [Editing QoS Policies](#)

### Deleting QoS Policies

There are no scheduler or port-scheduler policies associated with customer or service entities. Removing a scheduler or port-scheduler policy from a multi-service customer site causes the created schedulers to be removed which makes them unavailable for the ingress SAP queues associated with the customer site. Queues that lose their parent scheduler association are deemed to be orphaned and are no longer subject to a virtual scheduler. The SAPs that have ingress queues that rely on the schedulers enter into an orphaned state on one or more queues.

A QoS scheduler policy cannot be deleted until it is removed from all customer multi-service sites or service SAPs where it is applied.

```
SR7>config>qos# no scheduler-policy SLA2
MINOR: QOS #1003 The policy has references
SR7>config>qos#
```

## Removing a QoS Policy from a Customer Multi-Service Site

**CLI Syntax:**

```
config>service>customer customer-id
multi-service-site customer-site-name
 egress
 no scheduler-policy
 ingress
 no scheduler-policy
```

**Example:**

```
config>service>customer# multi-service-site "Test"
config>service>cust>multi-service-site# ingress
config>service>cust>multi-service-site>ingress# no
scheduler-policy
```

## Removing a QoS Policy from SAP(s)

**CLI Syntax:**

```
config>service# {epipe | vpls} service-id [customer
customer-id]
sap sap-id
 egress
 no scheduler policy
 ingress
 no scheduler policy
```

**Example:**

```
config>service# epipe 6
config>service>epipe# sap sap 1/1/9:0
config>service>epipe>sap# egress
config>service>epipe>sap>egress# no scheduler-policy
config>service>epipe>sap>egress# exit
config>service>epipe>sap# ingress
config>service>epipe>sap>ingress#
config>service>epipe>sap>ingress# no scheduler-policy
```

The following syntax and example apply to the 7750 SR and 7950 XRS.

**CLI Syntax:**

```
config>service# {ies | vprn} service-id [customer
customer-id]
interface ip-int-name
```

```
sap sap-id
 egress
 no scheduler policy
 ingress
 no scheduler policy
```

**Example:**

```
config>service# vprn 1
config>service>vprn# interface "to-cel"
config>service>vprn>if# sap 1/1/10:1
config>service>vprn>if>sap# ingress
config>service>vprn>if>sap>ingress# no scheduler-policy
config>service>vprn>if>sap>ingress# exit
config>service>vprn>if>sap# egress
config>service>vprn>if>sap>egress# no scheduler-policy
config>service>vprn>if>sap>egress# exit
config>service>vprn>if>sap#
```

## Removing a Policy from the QoS Configuration

To delete a scheduler policy, enter the following commands:

**CLI Syntax:** `config>qos# no scheduler-policy network-policy-id`

**Example:** `config>qos# no scheduler-policy SLA1`

To delete a port scheduler policy, enter the following commands:

**CLI Syntax:** `config>qos# no port-scheduler-policy network-policy-id`

**Example:** `config>qos# no port-scheduler-policy test1`

## Copying and Overwriting Scheduler Policies

You can copy an existing QoS policy, rename it with a new QoS policy value, or overwrite an existing policy. The overwrite option must be specified or an error occurs if the destination policy exists.

**CLI Syntax:** `config>qos> copy scheduler-policy src-name dst-name [overwrite]`

**Example:** `config>qos# copy scheduler-policy SLA1 SLA2`

```

A:SR>config>qos#
...
#-----
echo "QoS Policy Configuration"
#-----
 scheduler-policy "SLA1" create
 description "NetworkControl(3), Voice(2) and NonVoice(1) have strict
priorities"
 tier 1
 scheduler "All_traffic" create
 description "All traffic goes to this scheduler eventually"
 rate 11000
 exit
 exit
 tier 2
 scheduler "NetworkControl" create
 description "network control traffic within the VPN"
 parent "All_traffic" level 3 cir-level 3
 rate 100
 exit
 scheduler "NonVoice" create
 description "NonVoice of VPN and Internet traffic will be serviced
by this scheduler"
 parent "All_traffic" cir-level 1
 rate 11000
 exit
 scheduler "Voice" create
 description "Any voice traffic from VPN and Internet use this
scheduler"
 parent "All_traffic" level 2 cir-level 2
 rate 5500
 exit
 tier 3
 scheduler "Internet_be" create
 parent "NonVoice" cir-level 1
 exit
 scheduler "Internet_priority" create
 parent "NonVoice" level 2 cir-level 2
 exit
 ...
 scheduler-policy "SLA2" create
 description "NetworkControl(3), Voice(2) and NonVoice(1) have strict
priorities"
 tier 1
 scheduler "All_traffic" create
 description "All traffic goes to this scheduler eventually"
 rate 11000
 exit
 exit
 tier 2
 scheduler "NetworkControl" create
 description "network control traffic within the VPN"
 parent "All_traffic" level 3 cir-level 3
 rate 100
 exit
 scheduler "NonVoice" create
 description "NonVoice of VPN and Internet traffic will be serviced
by this scheduler"

```

## Service Management Tasks

```

 parent "All_traffic" cir-level 1
 rate 11000
 exit
 scheduler "Voice" create
 description "Any voice traffic from VPN and Internet use this
scheduler"
 parent "All_traffic" level 2 cir-level 2
 rate 5500
 exit
 exit
 tier 3
 scheduler "Internet_be" create
 parent "NonVoice" cir-level 1
 exit
 scheduler "Internet_priority" create
 parent "NonVoice" level 2 cir-level 2
 exit
 ...
#-----
A:SR>config>qos#
```

## Editing QoS Policies

You can change existing policies and entries in the CLI. The changes are applied immediately to all customer multi-service sites and service SAPs where the policy is applied. To prevent configuration errors use the copy command to make a duplicate of the original policy to a work area, make the edits, and then overwrite the original policy.



# QoS Scheduler Policy Command Reference

## Command Hierarchies

- [Scheduler Policy Configuration Commands](#)
- [Port Scheduler Policy Configuration Commands](#)
- [Operational Commands](#)
- [Show Commands](#)
- [Clear Commands](#)

## Scheduler Policy Configuration Commands

```

config
 — qos
 — [no] scheduler-policy scheduler-policy-name
 — description description-string
 — no description
 — [no] frame-based-accounting
 — parent-location {none | sub | vport}
 — no parent-location
 — [no] tier tier
 — [no] scheduler scheduler-name
 — description description-string
 — no description
 — [no] limit-unused-bandwidth
 — parent scheduler-name [weight weight] [level level] [cir-weight cir-weight] [cir-level cir-level]
 — no parent
 — port-parent [weight weight] [level level] [cir-weight cir-weight] [cir-level cir-level]
 — no port-parent
 — rate [pir-rate] [cir cir-rate]
 — no rate

```

## Port Scheduler Policy Configuration Commands

```

config
 — qos
 — [no] port-scheduler-policy port-scheduler-name
 — description description-string
 — no description

```

## QoS Scheduler Policy Command Reference

- **[no] dist-lag-rate-shared**
- **group** *name* [**create**]
- **no group** *name*
  - **percent-rate** *pir-percent* [**cir** *cir-percent*]
  - **no percent-rate**
  - **rate** *pir-rate* [**cir** *cir-rate*]
  - **no rate**
- **level** *priority-level* **rate** *pir-rate* [**cir** *cir-rate*] **group** *name* [**weight** *weight*] [**monitor-threshold** *percent*]
- **level** *priority-level* **percent-rate** *pir-percent* [**percent-cir** *cir-percent*] **group** *name* [**weight** *weight*] [**monitor-threshold** *percent*]
- **level** *priority-level* **rate** *pir-rate* [**cir** *cir-rate*] [**monitor-threshold** *percent*]
- **level** *priority-level* **percent-rate** *pir-percent* [**percent-cir** *cir-percent*] [**monitor-threshold** *percent*]
- **no level** *priority-level*
- **level** *priority-level* **rate** *pir-rate* [**cir** *cir-rate*]
- **no level** *priority-level*
- **max-rate** *pir-rate*
- **max-rate** **percent** *percent-rate*
- **no max-rate**
- **monitor-threshold** *percent*
- **no monitor-threshold**
- **orphan-override** [**level** *priority-level*] [**weight** *percent*] [**cir-level** *priority-level*] [**cir-weight** *cir-weight*]
- **no orphan-override**

## Operational Commands

- config
  - qos
    - **copy** **scheduler-policy** *src-name* *dst-name* [**overwrite**]
    - **copy** **port-scheduler-policy** *src-name* *dst-name* [**overwrite**]

## Show Commands

- show
  - qos
    - **scheduler-hierarchy** **customer** *customer-id* **site** *customer-site-name* [**scheduler** *scheduler-name*] [**ingress** | **egress**] [**detail**]
    - **scheduler-hierarchy** **port** **port-id** [**detail**]
    - **scheduler-hierarchy** **port** *port-id* [**detail**] **queue-group** *queue-group-name* [**scheduler** *scheduler-name*] [**ingress** | **egress**]
    - **scheduler-hierarchy** **sap** *sap-id* [**scheduler** *scheduler-name*] [**ingress** | **egress**] [**detail**]
    - **scheduler-hierarchy** **subscriber** *sub-ident-string* [**scheduler** *scheduler-name*] [**ingress** | **egress**] [**detail**]

- **scheduler-name** *scheduler-name*
  - **scheduler-policy** *scheduler-name* [**association** | **sap-ingress** *policy-id* | **sap-egress** *policy-id*]
  - **scheduler-stats customer** *customer-id* **site** *customer-site-name* [**scheduler** *scheduler-name*] [**ingress** | **egress**]
  - **scheduler-stats sap** *sap-id* [**scheduler** *scheduler-name*] [**ingress** | **egress**]
  - **scheduler-stats subscriber** *sub-indent-string* [**scheduler** *scheduler-name*] [**ingress** | **egress**]
- show**
- **qos**
    - **agg-rate customer** *customer-id* **site** *customer-site-name* [**egress**] [**detail**]
    - **agg-rate port** *port-id* **queue-group** *queue-group-name* [**egress**] [**access** | **network**] [**instance** *instance-id*] [**detail**]
    - **agg-rate port** *port-id* **vport** *name* [**detail**]
    - **agg-rate sap** *sap-id* [**egress**] [**detail**]
    - **agg-rate sap** *sap-id* **encap-group** *group-name* [**member** *encap-id*] [**detail**]
    - **agg-rate subscriber** *sub-indent-string* [**egress**] [**detail**]
- show**
- **qos**
    - **port-scheduler-policy** [*port-scheduler-policy-name*] [**association**]
    - **port-scheduler-policy** *port-scheduler-policy-name* **network-policy** *network-queue-policy-name*
    - **port-scheduler-policy** *port-scheduler-policy-name* **sap-egress** *policy-id*
    - **port-scheduler-policy** *port-scheduler-policy-name* **scheduler-policy** *scheduler-policy-name*
    - **port-scheduler-policy** *port-scheduler-policy-name* **scheduler-policy** *scheduler-policy-name* **sap-egress** *policy-id*

## Clear Commands

- clear**
- **qos**
    - **scheduler-stats**
      - **sap** *sap-id* [**scheduler** *scheduler-name*] [**ingress** | **egress**]

## Command Descriptions

### Configuration Commands

#### Generic Commands

##### description

|                    |                                                                                                                                                                                                                                                                                                                                                             |
|--------------------|-------------------------------------------------------------------------------------------------------------------------------------------------------------------------------------------------------------------------------------------------------------------------------------------------------------------------------------------------------------|
| <b>Syntax</b>      | <b>description</b> <i>description-string</i><br><b>no description</b>                                                                                                                                                                                                                                                                                       |
| <b>Context</b>     | config>qos>scheduler-policy<br>config>qos>scheduler-policy>tier>scheduler<br>config>qos>port-scheduler-policy                                                                                                                                                                                                                                               |
| <b>Description</b> | <p>This command creates a text description stored in the configuration file for a configuration context.</p> <p>The <b>description</b> command associates a text string with a configuration context to help identify the context in the configuration file.</p> <p>The <b>no</b> form of this command removes any description string from the context.</p> |
| <b>Default</b>     | No description is associated with the configuration context.                                                                                                                                                                                                                                                                                                |
| <b>Parameters</b>  | <i>description-string</i> — A text string describing the entity. Allowed values are any string up to 80 characters long composed of printable, 7-bit ASCII characters. If the string contains special characters (#, \$, spaces, etc.), the entire string must be enclosed within double quotes.                                                            |

### Operational Commands

##### copy

|                    |                                                                                                                                                                                                                                                                                                                                    |
|--------------------|------------------------------------------------------------------------------------------------------------------------------------------------------------------------------------------------------------------------------------------------------------------------------------------------------------------------------------|
| <b>Syntax</b>      | <b>copy scheduler-policy</b> <i>src-name dst-name</i> [ <b>overwrite</b> ]<br><b>copy port-scheduler-policy</b> <i>src-name dst-name</i> [ <b>overwrite</b> ]                                                                                                                                                                      |
| <b>Context</b>     | config>qos                                                                                                                                                                                                                                                                                                                         |
| <b>Description</b> | <p>This command copies existing QoS policy entries for a QoS policy to another QoS policy.</p> <p>The <b>copy</b> command is a configuration level maintenance tool used to create new policies using existing policies. It also allows bulk modifications to an existing policy with the use of the <b>overwrite</b> keyword.</p> |

If **overwrite** is not specified, an error will occur if the destination policy exists.

|                   |                                                                                                                                                                                                                                                                                                                                                                                                                                                                                                                                                                                                                                                                                                                                                                                                                                                                                    |
|-------------------|------------------------------------------------------------------------------------------------------------------------------------------------------------------------------------------------------------------------------------------------------------------------------------------------------------------------------------------------------------------------------------------------------------------------------------------------------------------------------------------------------------------------------------------------------------------------------------------------------------------------------------------------------------------------------------------------------------------------------------------------------------------------------------------------------------------------------------------------------------------------------------|
| <b>Parameters</b> | <p><b>scheduler-policy</b> <i>src-name dst-name</i> — Indicates that the source policy and the destination policy are scheduler policy. Specify the source policy that the copy command will attempt to copy from and specify the destination policy to which the command will copy a duplicate of the policy.</p> <p><b>port-scheduler-policy</b> <i>src-name dst-name</i> — Indicates that the source policy and the destination policy are port scheduler policy IDs. Specify the source policy that the copy command will attempt to copy from and specify the destination policy name to which the command will copy a duplicate of the policy.</p> <p><b>overwrite</b> — Forces the destination policy name to be copied as specified. When forced, everything in the existing destination policy will be completely overwritten with the contents of the source policy.</p> |
|-------------------|------------------------------------------------------------------------------------------------------------------------------------------------------------------------------------------------------------------------------------------------------------------------------------------------------------------------------------------------------------------------------------------------------------------------------------------------------------------------------------------------------------------------------------------------------------------------------------------------------------------------------------------------------------------------------------------------------------------------------------------------------------------------------------------------------------------------------------------------------------------------------------|

## Scheduler Policy Commands

### scheduler-policy

|                    |                                                                                                                                                                                                                                         |
|--------------------|-----------------------------------------------------------------------------------------------------------------------------------------------------------------------------------------------------------------------------------------|
| <b>Syntax</b>      | <b>[no] scheduler-policy</b> <i>scheduler-policy-name</i>                                                                                                                                                                               |
| <b>Context</b>     | config>qos                                                                                                                                                                                                                              |
| <b>Description</b> | Each scheduler policy is divided up into groups of schedulers based on the tier each scheduler is created under. A tier is used to give structure to the schedulers within a policy and define rules for parent scheduler associations. |

The **scheduler-policy** command creates a scheduler policy or allows you to edit an existing policy. The policy defines the hierarchy and operating parameters for virtual schedulers. Merely creating a policy does not create the schedulers; it only provides a template for the schedulers to be created when the policy is associated with a SAP or multi-service site.

Each scheduler policy must have a unique name within the context of the system. Modifications made to an existing policy are executed on all schedulers that use the policy. This can cause queues or schedulers to become orphaned (invalid parent association) and adversely affect the ability of the system to enforce service level agreements (SLAs).

If a *scheduler-policy-name* does not exist, it is assumed that an attempt is being made to create a new policy. The success of the command execution is dependent on the following:

1. The maximum number of scheduler policies has not been configured.
2. The provided scheduler-policy-name is valid.
3. The **create** keyword is entered with the command if the system is configured to require it (enabled in the **environment create** command).

## QoS Scheduler Policy Command Reference

When the maximum number of scheduler policies has been exceeded a configuration error occurs, the command will not execute, and the CLI context will not change.

If the provided scheduler-policy-name is invalid according to the criteria below, a name syntax error occurs, the command will not execute, and the CLI context will not change.

|                   |                                                                                                                                                                                                                                     |
|-------------------|-------------------------------------------------------------------------------------------------------------------------------------------------------------------------------------------------------------------------------------|
| <b>Default</b>    | none — Each scheduler policy must be explicitly created.                                                                                                                                                                            |
| <b>Parameters</b> | <i>scheduler-policy-name</i> — The name of the scheduler policy.                                                                                                                                                                    |
| <b>Values</b>     | Valid names consist of any string up to 32 characters long composed of printable, 7-bit ASCII characters. If the string contains special characters (#, \$, spaces, etc.), the entire string must be enclosed within double quotes. |

### frame-based-accounting

|                    |                                                                                                                                                                                                                                                                                                                                                                                                                                                                                                                                                                                                                                                                                                                                                                                                                                                                                                                                                                                                                                                                                                                                                                                                                                                                                                                                                                                         |
|--------------------|-----------------------------------------------------------------------------------------------------------------------------------------------------------------------------------------------------------------------------------------------------------------------------------------------------------------------------------------------------------------------------------------------------------------------------------------------------------------------------------------------------------------------------------------------------------------------------------------------------------------------------------------------------------------------------------------------------------------------------------------------------------------------------------------------------------------------------------------------------------------------------------------------------------------------------------------------------------------------------------------------------------------------------------------------------------------------------------------------------------------------------------------------------------------------------------------------------------------------------------------------------------------------------------------------------------------------------------------------------------------------------------------|
| <b>Syntax</b>      | <b>frame-based-accounting</b><br><b>no frame-based-accounting</b>                                                                                                                                                                                                                                                                                                                                                                                                                                                                                                                                                                                                                                                                                                                                                                                                                                                                                                                                                                                                                                                                                                                                                                                                                                                                                                                       |
| <b>Context</b>     | config>qos>scheduler-policy                                                                                                                                                                                                                                                                                                                                                                                                                                                                                                                                                                                                                                                                                                                                                                                                                                                                                                                                                                                                                                                                                                                                                                                                                                                                                                                                                             |
| <b>Description</b> | <p>The frame-based-accounting command is used to enable frame based for both the children queues parented to the scheduling policy and for the schedulers within the scheduler policy.</p> <p>Once frame based accounting is enabled on the policy, all queues associated with the scheduler (through the parent command on each queue) will have their rate and CIR values interpreted as frame based values. When shaping, the queues will include the 12 byte Inter-Frame Gap (IFG) and 8 byte preamble for each packet scheduled out the queue. The profiling CIR threshold will also include the 20 byte frame encapsulation overhead. Statistics associated with the queue do not include the frame encapsulation overhead.</p> <p>The scheduler policy's scheduler rate and CIR values will be interpreted as frame based values.</p> <p>The configuration of <b>parent-location</b> and <b>frame-based-accounting</b> in a scheduler policy is mutually exclusive to ensure consistency between the different scheduling levels.</p> <p>The <b>no</b> frame-based-accounting command is used to return all schedulers within the policy and queues associated with the policy to the default packet based accounting mode. If <b>frame-based-accounting</b> is not currently enabled for the scheduling policy, the <b>no frame-based-accounting</b> command has no effect.</p> |

### parent-location

|                |                                                                          |
|----------------|--------------------------------------------------------------------------|
| <b>Syntax</b>  | <b>parent-location {none   sub   vport}</b><br><b>no parent-location</b> |
| <b>Context</b> | config>qos>scheduler-policy                                              |

|                    |                                                                                                                                                                                                                                                                                                                                                                                                                                                                                                                                                                                                                                                                                                                                                                                                                                                                                                                                                                                                                                                                                                                                                                                                                                                                                                                                                                                                                |
|--------------------|----------------------------------------------------------------------------------------------------------------------------------------------------------------------------------------------------------------------------------------------------------------------------------------------------------------------------------------------------------------------------------------------------------------------------------------------------------------------------------------------------------------------------------------------------------------------------------------------------------------------------------------------------------------------------------------------------------------------------------------------------------------------------------------------------------------------------------------------------------------------------------------------------------------------------------------------------------------------------------------------------------------------------------------------------------------------------------------------------------------------------------------------------------------------------------------------------------------------------------------------------------------------------------------------------------------------------------------------------------------------------------------------------------------|
| <b>Description</b> | <p>This command determines the expected location of the parent schedulers for the tier 1 schedulers configured with a parent command within the scheduler-policy. The parent schedulers must be configured within a scheduler-policy applied at the location corresponding to the parent-location parameter.</p> <p>If a parent scheduler name does not exist at the specified location, the schedulers will not be parented and will be orphaned.</p> <p>The configuration of <b>parent-location</b> and <b>frame-based-accounting</b> in a scheduler policy is mutually exclusive in order to ensure consistency between the different scheduling levels.</p> <p>The <b>no</b> form of the command reverts to the default.</p>                                                                                                                                                                                                                                                                                                                                                                                                                                                                                                                                                                                                                                                                               |
| <b>Default</b>     | none                                                                                                                                                                                                                                                                                                                                                                                                                                                                                                                                                                                                                                                                                                                                                                                                                                                                                                                                                                                                                                                                                                                                                                                                                                                                                                                                                                                                           |
| <b>Parameters</b>  | <p><b>none</b> — This parameter indicates that the tier 1 schedulers do not have a parent scheduler and the configuration of the parent under a tier 1 scheduler is blocked. Conversely, this parameter is blocked when any tier 1 scheduler has a parent configured.</p> <p><b>sub</b> — When the scheduler-policy is applied to an sla-profile for a subscriber, the parent schedulers of the tier 1 schedulers need to be configured in the scheduler-policy applied to the subscriber's sub-profile.</p> <p>If this parameter is configured within a scheduler-policy that is applied to any object except for the egress of an sla-profile, the configured parent schedulers will not be found and so the tier 1 schedulers will not be parented and will be orphaned.</p> <p><b>vport</b> — When the scheduler-policy is applied to an sla-profile, a sub-profile for a subscriber or to the egress of a pseudowire SAP, the parent schedulers of the tier 1 schedulers need to be configured in the scheduler-policy applied to the vport to which the subscriber will be assigned.</p> <p>If this parameter is configured within a scheduler-policy that is applied to any object except for the egress of an sla-profile or sub-profile, or to the egress of a PW SAP, the configured parent schedulers will not be found and so the tier 1 schedulers will not be parented and will be orphaned.</p> |

## tier

|                    |                                                                                                                                                                                                                                                                                                                                                                                                                                                                                                                                                                  |
|--------------------|------------------------------------------------------------------------------------------------------------------------------------------------------------------------------------------------------------------------------------------------------------------------------------------------------------------------------------------------------------------------------------------------------------------------------------------------------------------------------------------------------------------------------------------------------------------|
| <b>Syntax</b>      | <b>tier</b> <i>tier</i>                                                                                                                                                                                                                                                                                                                                                                                                                                                                                                                                          |
| <b>Context</b>     | config>qos>scheduler-policy                                                                                                                                                                                                                                                                                                                                                                                                                                                                                                                                      |
| <b>Description</b> | <p>This command identifies the level of hierarchy that a group of schedulers are associated with. Within a tier level, a scheduler can be created or edited. Schedulers created within a tier can only be a child (take bandwidth from a scheduler in a higher tier). Tier levels increase sequentially with 1 being the highest tier. All tier 1 schedulers are considered to be root and cannot be a child of another scheduler. Schedulers defined in tiers other than 1 can also be root (parentless).</p> <p>3 tiers (levels 1, 2 and 3) are supported.</p> |

## QoS Scheduler Policy Command Reference

The **save config** and **show config** commands only display information on scheduler tiers that contain defined schedulers. When all schedulers have been removed from a level, that level ceases to be included in output from these commands.

|                   |                                                                                                                                                                                                                                                                                    |
|-------------------|------------------------------------------------------------------------------------------------------------------------------------------------------------------------------------------------------------------------------------------------------------------------------------|
| <b>Parameters</b> | <i>tier</i> — This parameter is required to indicate the group of schedulers to create or be edited. Tier levels cannot be created or deleted. If a value for level is given that is out-of-range, an error will occur and the current context of the CLI session will not change. |
| <b>Values</b>     | 1 to 3                                                                                                                                                                                                                                                                             |
| <b>Default</b>    | None                                                                                                                                                                                                                                                                               |

### scheduler

|                    |                                                                                                                                                                                                                                                                                                                                                                                                                                                                                                                                                                                                                                                                                        |
|--------------------|----------------------------------------------------------------------------------------------------------------------------------------------------------------------------------------------------------------------------------------------------------------------------------------------------------------------------------------------------------------------------------------------------------------------------------------------------------------------------------------------------------------------------------------------------------------------------------------------------------------------------------------------------------------------------------------|
| <b>Syntax</b>      | <b>scheduler</b> <i>scheduler-name</i><br><b>no scheduler</b> <i>scheduler-name</i>                                                                                                                                                                                                                                                                                                                                                                                                                                                                                                                                                                                                    |
| <b>Context</b>     | config>qos>scheduler-policy>tier                                                                                                                                                                                                                                                                                                                                                                                                                                                                                                                                                                                                                                                       |
| <b>Description</b> | This command creates a new scheduler or edits an existing scheduler within the scheduler policy tier. A scheduler defines bandwidth controls that limit each child (other schedulers and queues) associated with the scheduler. Scheduler objects are created within the hierarchical tiers of the policy. It is assumed that each scheduler created will have queues or other schedulers defined as child associations. The scheduler can be a child (take bandwidth from a scheduler in a higher tier, except for schedulers created in tier 1). A total of 32 schedulers can be created within a single scheduler policy with no restriction on the distribution between the tiers. |

Each scheduler must have a unique name within the context of the scheduler policy; however the same name can be reused in multiple scheduler policies. If *scheduler-name* already exists within the policy tier level (regardless of the inclusion of the keyword create), the context changes to that scheduler name for the purpose of editing the scheduler parameters. Modifications made to an existing scheduler are executed on all instantiated schedulers created through association with the policy of the edited scheduler. This can cause queues or schedulers to become orphaned (invalid parent association) and adversely affect the ability of the system to enforce service level agreements (SLAs).

If the *scheduler-name* exists within the policy on a different tier (regardless of the inclusion of the keyword create), an error occurs and the current CLI context will not change.

If the *scheduler-name* does not exist in this or another tier within the scheduler policy, it is assumed that an attempt is being made to create a scheduler of that name. The success of the command execution is dependent on the following:

1. The maximum number of schedulers has not been configured.
2. The provided *scheduler-name* is valid.
3. The **create** keyword is entered with the command if the system is configured to require it (enabled in the **environment create** command).

When the maximum number of schedulers has been exceeded on the policy, a configuration error occurs and the command will not execute, nor will the CLI context change.



If the provided scheduler-name is invalid according to the criteria below, a name syntax error will occur, the command will not execute, and the CLI context will not change.

- Parameters** *scheduler-name* — The name of the scheduler.
- Values** Valid names consist of any string up to 32 characters long composed of printable, 7-bit ASCII characters. If the string contains special characters (#, \$, spaces, etc.), the entire string must be enclosed within double quotes.
- Default** None. Each scheduler must be explicitly created.
- create** — This optional keyword explicitly specifies that it is acceptable to create a scheduler with the given *scheduler-name*. If the **create** keyword is omitted, **scheduler-name** is not created when the system environment variable create is set to true. This safeguard is meant to avoid accidental creation of system objects (such as schedulers) while attempting to edit an object with a mistyped name or ID. The keyword has no effect when the object already exists.

## limit-unused-bandwidth

- Syntax** **[no] limit-unused-bandwidth**
- Context** config>qos>scheduler-policy>tier>scheduler
- Description** This command is used to enable (or disable) aggregate rate overrun protection on the agg-rate context.

## parent

- Syntax** **parent scheduler-name [weight weight] [level level] [cir-weight cir-weight] [cir-level cir-level]**  
**no parent**
- Context** config>qos>scheduler-policy>tier>scheduler
- Description** This command defines an optional parent scheduler that is higher up the policy hierarchy. Only schedulers in tier levels 2 and 3 can have a parental association. When multiple schedulers and/or queues share a child status with the scheduler on the parent, the weight or strict parameters define how this scheduler contends with the other children for the parent's bandwidth. The parent scheduler can be removed or changed at anytime and is immediately reflected on the schedulers created by association of this scheduler policy.
- When a parent scheduler is defined without specifying weight or strict parameters, the default bandwidth access method is weight with a value of 1.

## QoS Scheduler Policy Command Reference

The **no** form of the command removes a child association with a parent scheduler. If a parent association does not currently exist, the command has no effect and returns without an error. Once a parent association has been removed, the former child scheduler attempts to operate based on its configured rate parameter. Removing the parent association on the scheduler within the policy will take effect immediately on all schedulers with *scheduler-name* that have been created using the *scheduler-policy-name*.

### Parameters

*scheduler-name* — The *scheduler-name* must already exist within the context of the scheduler policy in a tier that is higher (numerically lower).

**Values** Any valid *scheduler-name* existing on a higher tier within the scheduler policy.

**Default** None. Each parental association must be explicitly created.

**weight** *weight* — *Weight* defines the relative weight of this scheduler in comparison to other child schedulers and queues at the same strict level defined by the **level** parameter. Within the level, all weight values from active children at that level are summed and the ratio of each active child's weight to the total is used to distribute the available bandwidth at that level. A weight is considered to be active when the queue or scheduler the weight pertains to has not reached its maximum rate and still has packets to transmit.

A 0 (zero) weight value signifies that the child scheduler will receive bandwidth only after bandwidth is distributed to all other non-zero weighted children in the strict level.

**Values** 0 to 100

**Default** 1

**level** *level* — The **level** keyword defines the strict priority level of this scheduler in comparison to other child schedulers and queues vying for bandwidth on the parent scheduler-name during the 'above CIR' distribution phase of bandwidth allocation. During the above CIR distribution phase, any queues or schedulers defined at a lower strict level receive no parental bandwidth until all queues and schedulers defined with a higher (numerically larger) strict level on the parent have reached their maximum bandwidth or have satisfied their offered load requirements.

When the similar **cir-level** parameter default (undefined) are retained for the child scheduler, bandwidth is only allocated to the scheduler during the above CIR distribution phase.

Children of the parent scheduler with a lower strict priority level will not receive bandwidth until all children with a higher strict priority level have either reached their maximum bandwidth or are idle. Children with the same strict level are serviced according to their weight.

**Values** 1 to 8

**Default** 1

**cir-weight** *cir-weight* — The **cir-weight** keyword defines the relative weight of this scheduler in comparison to other child schedulers and queues at the same **cir-level** defined by the **cir-level** parameter. Within the strict **cir-level**, all **cir-weight** values from active children at that level are summed and the ratio of each active child's **cir-weight** to the total is used to distribute the available bandwidth at that level. A **cir-weight** is considered to be active when the queue or scheduler that the **cir-weight** pertains to has not reached the CIR and still has packets to transmit.

A 0 (zero) **cir-weight** value signifies that the child scheduler will receive bandwidth only after bandwidth is distributed to all other non-zero weighted children in the strict cir-level.

**Values** 0 to 100

**Default** 1

**cir-level** *cir-level* — The **cir-level** keyword defines the strict priority CIR level of this scheduler in comparison to other child schedulers and queues vying for bandwidth on the parent *scheduler-name* during the ‘within CIR’ distribution phase of bandwidth allocation. During the ‘within CIR’ distribution phase, any queues or schedulers defined at a lower strict CIR level receive no parental bandwidth until all queues and schedulers defined with a higher (numerically larger) strict CIR level on the parent have reached their CIR bandwidth or have satisfied their offered load requirements.

If the scheduler’s **cir-level** parameter retains the default (undefined) state, bandwidth is only allocated to the scheduler during the above CIR distribution phase.

Children with the same strict cir-level are serviced according to their cir-weight.

**Values** Undefined, 1 to 8

**Default** Undefined

## port-parent

**Syntax** **port-parent** [**weight** *weight*] [**level** *level*] [**cir-weight** *cir-weight*] [**cir-level** *cir-level*]  
**no port-parent**

**Context** config>qos>scheduler-policy>tier>scheduler

**Description** The **port-parent** command defines a child/parent association between an egress queue and a port based scheduler or between an intermediate service scheduler and a port based scheduler. The command may be issued in three distinct contexts; **sap-egress queue** *queue-id*, **network-queue queue** *queue-id* and **scheduler-policy scheduler** *scheduler-name*. The **port-parent** command allows for a set of within-CIR and above-CIR parameters that define the port priority levels and weights for the queue or scheduler. If the **port-parent** command is executed without any parameters, the default parameters are assumed.

In this context, the **port-parent** command is mutually exclusive to the **parent** command (used to create a parent/child association between a queue and an intermediate scheduler). Executing a **port-parent** command when a parent definition is in place causes the current intermediate scheduler association to be removed and replaced by the defined port-parent association. Executing a **parent** command when a port-parent definition exists causes the port scheduler association to be removed and replaced by the defined intermediate scheduler name.

## QoS Scheduler Policy Command Reference

Changing the parent context on a SAP egress policy queue may cause a SAP or subscriber context of the queue (policy associated with a SAP or subscriber profile) to enter an orphaned state. If an instance of a queue is created on a port or channel that does not have a port scheduler enabled and the sap-egress policy creating the queue has a port-parent association, the queue will be allowed to run according to its own rate parameters and will not be controlled by a virtual scheduling context. If an instance of a queue is on a port or channel that has a port scheduler configured and the sap-egress policy defines the queue as having a non-existent intermediate scheduler parent, the queue will be treated as an orphan and will be handled according to the current orphan behavior on the port scheduler.

The **no** form of this command removes a port scheduler parent association for the queue or scheduler. If a port scheduler is defined on the port which the queue or scheduler instance exists, the queue or scheduler will become orphaned if an port scheduler is configured on the egress port of the queue or scheduler.

**Default**    **no port-parent**

**Parameters**    **weight** *weight* — Defines the weight the queue or scheduler will use at the above-cir port priority level (defined by the **level** parameter).

**Values**        0 to 100

**Default**        1

**level** *level* — Defines the port priority the queue or scheduler will use to receive bandwidth for its above-cir offered-load.

**Values**        1 to 8 (8 is the highest priority)

**Default**        1

**cir-weight** *cir-weight* — Defines the weight the queue or scheduler will use at the within-cir port priority level (defined by the **cir-level** parameter). The weight is specified as an integer value from 0 to 100 with 100 being the highest weight. When the **cir-weight** parameter is set to a value of 0, the queue or scheduler does not receive bandwidth during the port scheduler's within-cir pass and the **cir-level** parameter is ignored. If the **cir-weight** parameter is 1 or greater, the **cir-level** parameter comes into play.

**Values**        0 to 100

**Default**        1

**cir-level** *cir-level* — Defines the port priority the queue or scheduler will use to receive bandwidth for its within-cir offered-load. If the **cir-weight** parameter is set to a value of 0 (the default value), the queue or scheduler does not receive bandwidth during the port scheduler's within-cir pass and the **cir-level** parameter is ignored. If the **cir-weight** parameter is 1 or greater, the **cir-level** parameter comes into play.

**Values**        0 to 8 (8 is the highest priority)

**Default**        0

rate

**Syntax**    **rate** [*pir-rate*] [**cir** *cir-rate*]

|                    |                                                                                                                                                                                                                                                                                                                                                                                                                                                                                                                                                                                                                                                                                                                                                                                                                                                                                                                                                                                                                                                                                                                                                                                                                                                                                                                                                                                                                                                                                                                                                                                                                                                                      |
|--------------------|----------------------------------------------------------------------------------------------------------------------------------------------------------------------------------------------------------------------------------------------------------------------------------------------------------------------------------------------------------------------------------------------------------------------------------------------------------------------------------------------------------------------------------------------------------------------------------------------------------------------------------------------------------------------------------------------------------------------------------------------------------------------------------------------------------------------------------------------------------------------------------------------------------------------------------------------------------------------------------------------------------------------------------------------------------------------------------------------------------------------------------------------------------------------------------------------------------------------------------------------------------------------------------------------------------------------------------------------------------------------------------------------------------------------------------------------------------------------------------------------------------------------------------------------------------------------------------------------------------------------------------------------------------------------|
|                    | <b>no rate</b>                                                                                                                                                                                                                                                                                                                                                                                                                                                                                                                                                                                                                                                                                                                                                                                                                                                                                                                                                                                                                                                                                                                                                                                                                                                                                                                                                                                                                                                                                                                                                                                                                                                       |
| <b>Context</b>     | config>qos>scheduler-policy>tier>scheduler<br>config>qos>port-scheduler-policy>max-rate                                                                                                                                                                                                                                                                                                                                                                                                                                                                                                                                                                                                                                                                                                                                                                                                                                                                                                                                                                                                                                                                                                                                                                                                                                                                                                                                                                                                                                                                                                                                                                              |
| <b>Description</b> | <p>The <b>rate</b> command defines the maximum bandwidth that the scheduler can offer its child queues or schedulers. The maximum rate is limited to the amount of bandwidth the scheduler can receive from its parent scheduler. If the scheduler has no parent, the maximum rate is assumed to be the amount available to the scheduler. When a parent is associated with the scheduler, the CIR parameter provides the amount of bandwidth to be considered during the parent scheduler's 'within CIR' distribution phase.</p> <p>The actual operating rate of the scheduler is limited by bandwidth constraints other than its maximum rate. The scheduler's parent scheduler may not have the available bandwidth to meet the scheduler's needs or the bandwidth available to the parent scheduler could be allocated to other child schedulers or child queues on the parent based on higher priority. The children of the scheduler may not need the maximum rate available to the scheduler due to insufficient offered load or limits to their own maximum rates.</p> <p>When a scheduler is defined without specifying a rate, the default rate is <b>max</b>. If the scheduler is a root scheduler (no parent defined), the default maximum rate must be changed to an explicit value. Without this explicit value, the scheduler will assume that an infinite amount of bandwidth is available and allow all child queues and schedulers to operate at their maximum rates.</p> <p>The <b>no</b> form of this command returns all queues created with this <i>queue-id</i> by association with the QoS policy to the default PIR and CIR parameters.</p> |
| <b>Parameters</b>  | <p><b>pir</b> <i>pir</i> — The <i>pir</i> parameter configures the PIR rate of the scheduler in kbps or it can be set to the maximum using the <b>max</b> keyword.</p> <p><b>Values</b> 1 to 3200000000, <b>max</b></p> <p><b>Default</b> max</p> <p><b>cir</b> <i>cir</i> — The <i>cir</i> parameter configures the CIR rate of the scheduler in kbps or it can be set to the maximum using the <b>max</b> keyword. The <b>sum</b> keyword can also be used which sets the CIR to the sum of child CIR Values.</p> <p><b>Values</b> 1 to 3200000000, <b>max</b>, <b>sum</b></p> <p><b>Default</b> sum</p>                                                                                                                                                                                                                                                                                                                                                                                                                                                                                                                                                                                                                                                                                                                                                                                                                                                                                                                                                                                                                                                           |

## Port Scheduler Policy Commands

### port-scheduler-policy

|                |                                                       |
|----------------|-------------------------------------------------------|
| <b>Syntax</b>  | [no] port-scheduler-policy <i>port-scheduler-name</i> |
| <b>Context</b> | config>qos                                            |

## QoS Scheduler Policy Command Reference

|                    |                                                                                                                                                                                                                                                                                                                                                                                                                                                                                                                                                                                                                                                           |
|--------------------|-----------------------------------------------------------------------------------------------------------------------------------------------------------------------------------------------------------------------------------------------------------------------------------------------------------------------------------------------------------------------------------------------------------------------------------------------------------------------------------------------------------------------------------------------------------------------------------------------------------------------------------------------------------|
| <b>Description</b> | <p>When a port scheduler has been associated with an egress port, it is possible to override the following parameters:</p> <ul style="list-style-type: none"><li>• The max-rate allowed for the scheduler</li><li>• The maximum rate for each priority level (8 through 1)</li><li>• The cir associated with each priority level (8 through 1)</li></ul> <p>The orphan priority level (level 0) has no configuration parameters and cannot be overridden.</p> <p>The <b>no</b> form of the command removes a port scheduler policy from the system. If the port scheduler policy is associated with an egress port or channel, the command will fail.</p> |
| <b>Parameters</b>  | <p><i>port-scheduler-name</i> — Specifies an existing port scheduler name. Each port scheduler must be uniquely named within the system and can be up to 32 ASCII characters in length.</p>                                                                                                                                                                                                                                                                                                                                                                                                                                                               |

### dist-lag-rate-shared

|                    |                                                                                                                                                                                                                                                                                                                                                                                                                                                                                                                                                                                                                                                           |
|--------------------|-----------------------------------------------------------------------------------------------------------------------------------------------------------------------------------------------------------------------------------------------------------------------------------------------------------------------------------------------------------------------------------------------------------------------------------------------------------------------------------------------------------------------------------------------------------------------------------------------------------------------------------------------------------|
| <b>Syntax</b>      | <b>[no] dist-lag-rate-shared</b>                                                                                                                                                                                                                                                                                                                                                                                                                                                                                                                                                                                                                          |
| <b>Context</b>     | config>qos>port-scheduler-policy                                                                                                                                                                                                                                                                                                                                                                                                                                                                                                                                                                                                                          |
| <b>Description</b> | <p>This command enables sharing of rates when the port on which this port-scheduler-policy is configured is part of a LAG configured in <b>distribute</b> mode.</p> <p>When enabled, the absolute rate values configured as part of the max-rate, PIR/CIR group rates and PIR/CIR level rates are shared across the member ports of the LAG when configured in <b>distribute</b> mode.</p> <p>This command does not have any affect when the port on which this <b>port-scheduler-policy</b> is configured is part of a LAG in <b>link</b> mode. Similarly when rates are configured as percent-active rates, the value of this object is irrelevant.</p> |

### group

|                    |                                                                                                                                                                                                                                                                                                                                                                                                                                                                      |
|--------------------|----------------------------------------------------------------------------------------------------------------------------------------------------------------------------------------------------------------------------------------------------------------------------------------------------------------------------------------------------------------------------------------------------------------------------------------------------------------------|
| <b>Syntax</b>      | <b>group name [create]</b><br><b>no group name</b>                                                                                                                                                                                                                                                                                                                                                                                                                   |
| <b>Context</b>     | config>qos>port-scheduler-policy                                                                                                                                                                                                                                                                                                                                                                                                                                     |
| <b>Description</b> | <p>This command defines a weighted scheduler group within a port scheduler policy.</p> <p>The port scheduler policy defines a set of eight priority levels. The weighted scheduler group allows for the application of a scheduling weight to groups of child queues competing at the same priority level of the port scheduler policy applied to a vport defined in the context of the egress of an Ethernet port or applied to the egress of an Ethernet port.</p> |

Up to eight groups can be defined within each port scheduler policy. One or more levels can map to the same group. A group has a rate and optionally a cir-rate and inherits the highest scheduling priority of its member levels. In essence, a group receives bandwidth from the port or from the vport and distributes it within the member levels of the group according to the weight of each level within the group.

Each priority level will compete for bandwidth within the group based on its weight under a congestion situation. If there is no congestion, a priority level can achieve up to its rate (cir-rate) worth of bandwidth.

CLI will enforce that mapping of levels to a group are contiguous. In other words, a user would not be able to add priority level to group unless the resulting set of priority levels is contiguous.

The **no** form of the command removes the group from the port scheduler policy.

- Parameters**
- name* — Specifies the name of the weighted scheduler group and can be up to 32 ASCII characters in length.
  - create** — This keyword is mandatory when creating the specified group.

## percent-rate

- Syntax** **percent-rate** *pir-percent* [**cir** *cir-percent*]  
**no percent-rate**
- Context** config>qos>port-scheduler-policy>group
- Description** The **percent-rate** command within the port scheduler policy group enables supports for a policer's PIR and CIR rate to be configured as a percentage of the immediate parent root policer/arbiter rate or the FP capacity.
- If the parent arbiter rate changes after the policer is created, the policer's PIR and CIR rates will be recalculated based on the defined percentage value.
- The **rate** and **percent-rate** commands override one another. If the current rate for a policer is defined using the **percent-rate** command and the **rate** command is executed, the **percent-rate** values are deleted. In a similar fashion, the **percent-rate** command causes any **rate** command values to be deleted. A policer's rate may dynamically be changed back and forth from a percentage to an explicit rate at anytime.
- The **no** form of this command returns the queue to its default shaping rate and cir rate.
- Parameters**
- pir-percent* — Specifies the policer's PIR as a percentage of the immediate parent root policer/arbiter rate or the FP capacity.
- |                |                                         |
|----------------|-----------------------------------------|
| <b>Values</b>  | Percentage ranging from 0.01 to 100.00. |
| <b>Default</b> | 100.00                                  |

## QoS Scheduler Policy Command Reference

**cir** *cir-percent* — The **cir** keyword is optional and when defined the required cir-percent CIR parameter expresses the policer's CIR as a percentage of the immediate parent root policer/arbitrator rate or the FP capacity.

**Values** Percentage ranging from 0.00 to 100.00.

**Default** 100.00

### rate

**Syntax** **rate** *pir-rate* [**cir** *cir-rate*]  
**no rate**

**Context** config>qos>port-scheduler-policy>group

**Description** This command specifies the total bandwidth and the within-cir bandwidth allocated to a weighted scheduler group.

**Parameters** *pir-rate* — Specifies PIR rates.

**Values** kilobits-per-second: 1 to 100000000, max, Kbps

**cir** *cir-rate* — Specifies CIR rates.

**Values** 0 to 100000000, max, Kbps

### level

**Syntax** **level** *priority-level* **pir** *pir-rate* [**cir** *cir-rate*] **group name** [**weight** *weight*] [**monitor-threshold** *percent*]  
**level** *priority-level* **percent-rate** *pir-percent* [**percent-cir** *cir-percent*] **group name** [**weight** *weight*] [**monitor-threshold** *percent*]  
**level** *priority-level* **pir** *pir-rate* [**cir** *cir-rate*] [**monitor-threshold** *percent*]  
**level** *priority-level* **percent-rate** *pir-percent* [**percent-cir** *cir-percent*] [**monitor-threshold** *percent*]  
**no level** *priority-level*

**Context** config>qos>port-scheduler-policy

**Description** This command configures an explicit within-cir bandwidth limit and a total bandwidth limit for each port scheduler's priority level. To understand how to set the level rate and CIR parameters, a basic understanding of the port level scheduler bandwidth allocation mechanism is required. The port scheduler takes all available bandwidth for the port or channel (after the max-rate and any port egress-rate limits have been accounted for) and offers it to each of the eight priority levels twice.



The first pass is called the within-cir pass and consists of providing the available port bandwidth to each of the 8 priority levels starting with level 8 and moving down to level 1. Each level takes the offered load and distributes it to all child members that have a port-parent cir-level equal to the current priority level. (Any child with a cir-weight equal to 0 is skipped in this pass.) Each child may consume bandwidth up to the child's frame based within-cir offered load. The remaining available port bandwidth is then offered to the next lower priority level until level 1 is reached.

The second pass is called the above-cir pass and consists of providing the remaining available port bandwidth to each of the eight priority levels a second time. Again, each level takes the offered load and distributes it to all child members that have a port-parent level equal to the current priority level. Each child may consume bandwidth up to the remainder of the child's frame based offered load (some of the offered load may have been serviced during the within-cir pass). The remaining available port bandwidth is then offered to the next priority level until level 1 is again reached.

If the port scheduling policy is using the default orphan behavior (orphan-override has not been configured on the policy), the system then takes any remaining port bandwidth and allocates it to the orphan queues and scheduler on priority level 1. In a non-override orphan state, all orphans are attached to priority level 1 using a weight of 0. The 0 weight value causes the system to allocate bandwidth equally to all orphans based on each orphan queue or scheduler's ability to use the bandwidth. If the policy has an orphan-override configured, the orphans are handled based on the override commands parameters in a similar fashion to properly parented queues and schedulers.

The port scheduler priority level command rate keyword is used to optionally limit the total amount of bandwidth that is allocated to a priority level (total for the within-cir and above-cir passes). The cir keyword optionally limits the first pass bandwidth allocated to the priority level during the within-cir pass.

When executing the level command, at least one of the optional keywords, **rate** or **cir**, must be specified. If neither keyword is included, the command will fail.

If a previous explicit value for rate or cir exists when the level command is executed, and either rate or cir is omitted, the previous value for the parameter is overwritten by the default value and the previous value is lost.

The configured priority level rate limits may be overridden at the egress port or channel using the egress-scheduler-override level priority-level command. When a scheduler instance has an override defined for a priority level, both the rate and cir values are overridden even when one of them is not explicitly expressed in the override command. For instance, if the cir kilobits-per-second portion of the override is not expressed, the scheduler instance defaults to not having a CIR rate limit for the priority level even when the port scheduler policy has an explicit CIR limit defined.

|                   |                                                                                                                                                                                                                                                                                                                                                                                                                                                                |
|-------------------|----------------------------------------------------------------------------------------------------------------------------------------------------------------------------------------------------------------------------------------------------------------------------------------------------------------------------------------------------------------------------------------------------------------------------------------------------------------|
| <b>Default</b>    | no level priority-level                                                                                                                                                                                                                                                                                                                                                                                                                                        |
| <b>Parameters</b> | <p><i>priority-level</i> — Specifies to which priority level the level command pertains. Each of the eight levels is represented by an integer value of 1 to 8, with 8 being the highest priority level.</p> <p><b>Values</b> 1 to 8 (8 is the highest priority)</p> <p><b>pir</b> <i>pir</i> — Specifies the total bandwidth limits allocated to priority-level.</p> <p><b>Values</b> 1 to 3200000000   max (Kilobits per second (1,000 bits per second))</p> |

## QoS Scheduler Policy Command Reference

**percent-rate** *pir-percent* — Specifies the percent bandwidth limits allocated to priority-level.

**Values** 0.01 to 100.00 | max (Kilobits per second)

**cir** *cir* — The cir specified limits the total bandwidth allocated in the within-cir distribution pass to priority-level. When cir is not specified, all the available port or channel bandwidth may be allocated to the specified priority level during the within-cir pass.

**Values** 0 to 3200000000 | max (Kilobits per second)

The value given for kilobits-per-second is expressed in kilobits-per-second on a base 10 scale as is usual for line rate calculations. If a value of 1 is given, the result is 1000 bits per second (as opposed to a base 2 interpretation that would be 1024 bits per second).

**percent-cir** *cir-percent* — Specifies the percent bandwidth limits allocated to priority-level.

**Values** 0.01 to 100.00 | max (Kilobits per second)

**group** *name* — specifies the existing group which specifies the weighted scheduler group this level maps to.

**weight** *weight* — Specifies and integer which specifies the weight of the level within this weighted scheduler group.

**Values** 1 to 100

**Default** 1

**monitor-threshold** *percent* — Specifies the percent of the configured rate. If the offered rate exceeds the configured threshold, a counter monitoring the threshold will be increased.

**Values** 0 to 100

## max-rate

**Syntax** **max-rate** *pir-rate*  
**max-rate percent** *percent-rate*  
**no max-rate**

**Context** config>qos>port-scheduler-policy

**Description** This command defines an explicit maximum frame based bandwidth limit for the port scheduler policies scheduler context. By default, once a scheduler policy is associated with a port or channel, the instance of the scheduler on the port automatically limit the bandwidth to the lesser of port or channel line rate and a possible egress-rate value (for Ethernet ports). If a max-rate is defined that is smaller than the port or channel rate, the expressed kilobits-per-second value is used instead. The max-rate command is another way to sub-rate the port or channel. This command can be used on channels only on the 7450 ESS and 7750 SR.

The max-rate command may be executed at anytime for an existing port-scheduler-policy. When a new max-rate is given for a policy, the system evaluates all instances of the policy to see if the configured rate is smaller than the available port or channel bandwidth. If the rate is smaller and the maximum rate is not currently overridden on the scheduler instance, the scheduler instance is updated with the new maximum rate value.

The max-rate value defined in the policy may be overridden on each scheduler instance. If the maximum rate is explicitly defined as an override on a port or channel, the policies max-rate value has no effect.

The **no** form of this command removes an explicit rate value from the port scheduler policy. Once removed, all instances of the scheduler policy on egress ports or channel are allowed to run at the available line rate unless the instance has a max-rate override in place.

**Parameters** *pir-rate* — Specifies the PIR rate.  
**Values** 1 to 3200000000, max, in Kbps  
**percent** *percent-rate* — Specifies the percent rate.  
**Values** 0.01 to 100.00

## monitor-threshold

**Syntax** **monitor-threshold** *percent*  
**no monitor-threshold**

**Context** config>qos>port-scheduler-policy

**Description** This command defines the congestion monitoring threshold for the desired monitoring entity under the port-scheduler for per aggregate port-scheduler rate, per individual level, and per group that is aggregating multiple levels.

The congestion threshold is specified in percentages of the configured PIR rate for the entity for which congestion monitoring is desired. For example, if the configured PIR rate for level 1 is 100,000 Kbps, and the monitoring threshold is set to 90%, then an event where the offered rate is >90,000 Kbps will be recorded. This event is shown as part of the cumulative count of congestion threshold exceeds since the last clearing of the counters.

The **no** form of this command removes the congestion monitoring threshold.

**Default** no monitor-threshold

**Parameters** *percent* — Specifies the percent of the configured rate. If the offered rate exceeds the configured threshold, a counter monitoring the threshold will be increased.  
**Values** 0 to 100

## orphan-override

**Syntax** **orphan-override** [*level priority-level*] [**weight** *percent*] [*cir-level priority-level*] [**cir-weight** *cir-weight*]  
**no orphan-override**

**Context** config>qos>port-scheduler-policy

## QoS Scheduler Policy Command Reference

**Description** This command override the default orphan behavior for port schedulers created using the port scheduler policy. The default orphan behavior is to give all orphan queues and schedulers bandwidth after all other properly parented queues and schedulers. Orphans by default do not receive any within-cir bandwidth and receive above-cir bandwidth after priority levels 8 through 1 have been allocated. The orphan-override command accepts the same parameters as the port-parent command in the SAP egress and network queue policy contexts. The defined parameters are used as a default port-parent association for any queue or scheduler on the port that the port scheduler policy is applied.

Orphan queues and schedulers are identified as:

- Any queue or scheduler that does not have a port-parent or parent command applied
- Any queue that has a parent command applied, but the specified scheduler name does not exist on the queue's SAP, MSS or SLA Profile instance.

A queue or scheduler may be properly parented to an upper level scheduler, but that scheduler may be orphaned. In this case, the queue or scheduler receives bandwidth from its parent scheduler based on the parent schedulers ability to receive bandwidth as an orphan.

### **Within-CIR Priority Level Parameters**

The within-cir parameters define which port priority level the orphan queues and schedulers should be associated with when receiving bandwidth for the queue or schedulers within-cir offered load. The within-cir offered load is the amount of bandwidth the queue or schedulers could use that is equal to or less than its defined or summed CIR value. The summed value is only valid on schedulers and is the sum of the within-cir offered loads of the children attached to the scheduler. The parameters that control within-cir bandwidth allocation for orphans are the orphan-override commands cir-level and cir-weight keywords. The cir-level keyword defines the port priority level that the scheduler or queue uses to receive bandwidth for its within-cir offered load. The cir-weight is used when multiple queues or schedulers exist at the same port priority level for within-cir bandwidth. The weight value defines the relative ratio that is used to distribute bandwidth at the priority level when more within-cir offered load exists than the port priority level has bandwidth.

A cir-weight equal to zero (the default value) has special meaning and informs the system that the orphan queues and schedulers do not receive bandwidth from the within-cir distribution. Instead all bandwidth for the orphan queues and schedulers must be allocated from the port scheduler's above-cir pass.

### **Above-CIR Priority Level Parameters**

The above-cir parameters define which port priority level the orphan queues and schedulers should be associated with when receiving bandwidth for the queue or schedulers above-cir offered load. The above-cir offered load is the amount of bandwidth the queue or schedulers could use that is equal to or less than its defined PIR value (based on the queue or schedulers rate command) less any bandwidth that was given to the queue or scheduler during the above-cir scheduler pass. The parameters that control above-cir bandwidth allocation for orphans are the orphan-override commands level and weight keywords. The level keyword defines the port priority level that the scheduler or queue uses to receive bandwidth for its above-cir offered load. The weight is used when multiple queues or schedulers exist at the same port priority level for above-cir bandwidth. The weight value defines the relative ratio that is used to distribute bandwidth at the priority level when more above-cir offered load exists than the port priority level has bandwidth.

The **no** form of the command removes the orphan override port parent association for the orphan queues and schedulers on port schedulers created with the port scheduler policy. Any orphan queues and schedulers on a port associated with the port scheduler policy will revert to default orphan behavior.

|                   |                                                                                                                                                                                                                                                                                                                                                                                                                                                                                                                                                                                                                                                                                                                                                                                                                                                                                                                                                                                                                                                                                                                                                                                                                                                                                                                                                                                                                                                                                                                                                                                               |
|-------------------|-----------------------------------------------------------------------------------------------------------------------------------------------------------------------------------------------------------------------------------------------------------------------------------------------------------------------------------------------------------------------------------------------------------------------------------------------------------------------------------------------------------------------------------------------------------------------------------------------------------------------------------------------------------------------------------------------------------------------------------------------------------------------------------------------------------------------------------------------------------------------------------------------------------------------------------------------------------------------------------------------------------------------------------------------------------------------------------------------------------------------------------------------------------------------------------------------------------------------------------------------------------------------------------------------------------------------------------------------------------------------------------------------------------------------------------------------------------------------------------------------------------------------------------------------------------------------------------------------|
| <b>Parameters</b> | <p><b>level</b> <i>priority-level</i> — Defines the port priority the orphan queues and schedulers will use to receive bandwidth for its above-cir offered-load.</p> <p><b>Values</b> 1 to 8 (8 is the highest priority)</p> <p><b>Default</b> 1</p> <p><b>weight</b> <i>percent</i> — Defines the weight the orphan queues and schedulers will use in the above-cir port priority level (defined by the level parameter).</p> <p><b>Values</b> 1 to 100</p> <p><b>Default</b> 1</p> <p><b>cir-level</b> <i>priority-level</i> — Defines the port priority the orphan queues and schedulers will use to receive bandwidth for its within-cir offered-load. If the cir-weight parameter is set to a value of 0 (the default value), the orphan queues and schedulers do not receive bandwidth during the port scheduler's within-cir pass and the cir-level parameter is ignored. If the cir-weight parameter is 1 or greater, the cir-level parameter comes into play.</p> <p><b>Values</b> 1 to 8 (8 is the highest level)</p> <p><b>cir-weight</b> <i>cir-weight</i> — Defines the weight the orphan queues and schedulers will use in the within-cir port priority level (defined by the cir-level parameter). When the cir-weight parameter is set to a value of 0 (the default value), the orphan queues and schedulers do not receive bandwidth during the port scheduler's within-cir pass and the cir-level parameter is ignored. If the cir-weight parameter is 1 or greater, the cir-level parameter comes into play.</p> <p><b>Values</b> 1 to 100 (100 is the highest weight)</p> |
|-------------------|-----------------------------------------------------------------------------------------------------------------------------------------------------------------------------------------------------------------------------------------------------------------------------------------------------------------------------------------------------------------------------------------------------------------------------------------------------------------------------------------------------------------------------------------------------------------------------------------------------------------------------------------------------------------------------------------------------------------------------------------------------------------------------------------------------------------------------------------------------------------------------------------------------------------------------------------------------------------------------------------------------------------------------------------------------------------------------------------------------------------------------------------------------------------------------------------------------------------------------------------------------------------------------------------------------------------------------------------------------------------------------------------------------------------------------------------------------------------------------------------------------------------------------------------------------------------------------------------------|

## Show Commands

The command outputs in the following section are examples only; actual displays may differ depending on supported functionality and user configuration.

### scheduler-policy

|                    |                                                                                                                                                 |
|--------------------|-------------------------------------------------------------------------------------------------------------------------------------------------|
| <b>Syntax</b>      | <b>scheduler-policy</b> <i>scheduler-name</i> [ <b>association</b>   <b>sap-ingress</b> <i>policy-id</i>   <b>sap-egress</b> <i>policy-id</i> ] |
| <b>Context</b>     | show>qos                                                                                                                                        |
| <b>Description</b> | Use this command to display scheduler policy information.                                                                                       |

## QoS Scheduler Policy Command Reference

**Parameters** *scheduler-name* — The name of a scheduler configured in the **config>qos>scheduler-policy** context.

**association** — Display the associations related to the specified scheduler name.

**sap-ingress** *policy-id* — Specify the SAP ingress QoS policy information.

**sap-egress** *policy-id* — Specify the SAP egress QoS policy information.

### Output **Customer Scheduler-Policy Output**

The following table describes the customer scheduler hierarchy fields.

**Table 32: Show QoS Scheduler-Policy Output Fields**

| Label              | Description                                                                                                                                                                                                                                                                                                                                    |
|--------------------|------------------------------------------------------------------------------------------------------------------------------------------------------------------------------------------------------------------------------------------------------------------------------------------------------------------------------------------------|
| Policy-Name        | Specifies the scheduler policy name.                                                                                                                                                                                                                                                                                                           |
| Description        | A text string that helps identify the policy's context in the configuration file.                                                                                                                                                                                                                                                              |
| Tier               | Specifies the level of hierarchy that a group of schedulers are associated with.                                                                                                                                                                                                                                                               |
| Scheduler          | Specifies the scheduler name.                                                                                                                                                                                                                                                                                                                  |
| Lvl/Wt             | Specifies the priority level of the scheduler when compared to other child schedulers and queues vying for bandwidth on the parent schedulers during the 'above CIR' distribution phase of bandwidth allocation.<br>Weight defines the relative weight of this scheduler in comparison to other child schedulers and queues at the same level. |
| Cir Lvl/Wt         | Specifies the level of hierarchy when compared to other schedulers and queues when vying for bandwidth on the parent scheduler.<br>Weight defines the relative weight of this queue in comparison to other child schedulers and queues while vying for bandwidth on the parent scheduler.                                                      |
| PIR                | Specifies the PIR rate.                                                                                                                                                                                                                                                                                                                        |
| CIR                | Specifies the CIR rate.                                                                                                                                                                                                                                                                                                                        |
| Parent             | Specifies the parent scheduler that governs the available bandwidth given the queue aside from the queue's PIR setting.                                                                                                                                                                                                                        |
| Service-Id         | The ID that uniquely identifies the policy.                                                                                                                                                                                                                                                                                                    |
| Customer-Id        | The ID that uniquely identifies the customer.                                                                                                                                                                                                                                                                                                  |
| SAP                | Specifies the Service Access Point (SAP) within the service where the policy is applied.                                                                                                                                                                                                                                                       |
| Multi Service Site | Specifies the multi-service site name.                                                                                                                                                                                                                                                                                                         |

**Table 32: Show QoS Scheduler-Policy Output Fields (Continued)**

| Label         | Description                                          |
|---------------|------------------------------------------------------|
| Orphan Queues | Specifies the number of queues in an orphaned state. |
| Hierarchy     | Displays the scheduler policy tree structure.        |

**Sample Output**

```

A:ALA-12# show qos scheduler-policy SLA1
=====
QoS Scheduler Policy
=====
Policy-Name : SLA1
Description : NetworkControl(3), Voice(2) and NonVoice(1) have strict priorities

Tier/Scheduler Lvl/Wt PIR Parent
 CIR Lvl/Wt CIR

1 All_traffic 1/1 11000 None
 -/- max
2 NetworkControl 3/1 100 All_traffic
 3/- max
2 NonVoice 1/1 11000 All_traffic
 1/- max
2 Voice 2/1 5500 All_traffic
 2/- max
3 Internet_be 1/1 max NonVoice
 1/- max
3 Internet_priority 2/1 max NonVoice
 2/- max
3 Internet_voice 1/1 max Voice
 -/- max
3 VPN_be 1/1 max NonVoice
 1/- max
3 VPN_nc 1/1 100 NetworkControl
 -/- 36
3 VPN_priority 2/1 max NonVoice
 2/- max
3 VPN_reserved 3/1 max NonVoice
 3/- max
3 VPN_video 5/1 1500 NonVoice
 5/- 1500
3 VPN_voice 1/1 2500 Voice
 -/- 2500
=====
A:ALA-12#
A:ALA-12# show qos scheduler-policy SLA1 association
=====
QoS Scheduler Policy
=====
Policy-Name : SLA1
Description : NetworkControl(3), Voice(2) and NonVoice(1) have strict priorities

Associations

Service-Id : 6000 (Epipe) Customer-Id : 274

```

## QoS Scheduler Policy Command Reference

```
- SAP : 1/1/3.1:0 (Egress)
Service-Id : 7000 (VPLS) Customer-Id : 7
- SAP : 1/1/5:0 (Egress)
- Multi Service Site : west (Ingress)
```

```
=====
A:ALA-12#
```

```
A:ALA-12# show qos scheduler-policy SLA1 sap-ingress 100
```

```
=====
Compatibility : Scheduler Policy SLA1 & Sap Ingress 100
=====
```

```
Orphan Queues :
None Found
```

```
Hierarchy :
```

```
Root
|
|---(S) : All_traffic
|
| |---(S) : NetworkControl
| |
| | |---(S) : VPN_nc
| | |
| | | |---(Q) : 17
| | | |
| | | |---(Q) : 27
| |
| |---(S) : NonVoice
| |
| | |---(S) : Internet_be
| | |
| | |---(S) : Internet_priority
| | |
| | |---(S) : VPN_be
| | | |---(Q) : 10
| | | |---(Q) : 20
| | |
| | |---(S) : VPN_priority
| | | |---(Q) : 12
| | | |---(Q) : 22
| | |
| | |---(S) : VPN_reserved
| | | |---(Q) : 13
| | | |---(Q) : 23
| | |
| | |---(S) : VPN_video
| | | |---(Q) : 15
| | | |---(Q) : 25
```



```

| |---(S) : Voice
| | |---(S) : Internet_voice
| | | |---(S) : VPN_voice
| | | |---(Q) : 16
| | | |---(Q) : 26
| |---(Q) : 1
| |---(Q) : 2
=====
A:ALA-12#

A:ALA-12# show qos scheduler-policy SLA1 sap-egress 101
=====
Compatibility : Scheduler Policy SLA1 & Sap Egress 101
=====
Orphan Queues :

None Found

Hierarchy :

Root
|---(S) : All_traffic
| |---(S) : NetworkControl
| | |---(S) : VPN_nc
| |---(S) : NonVoice
| | |---(S) : Internet_be
| | |---(S) : Internet_priority
| | |---(S) : VPN_be
| | |---(S) : VPN_priority
| | |---(S) : VPN_reserved
| | |---(S) : VPN_video
| |---(S) : Voice
| | |---(S) : Internet_voice
| | |---(S) : VPN_voice
=====
A:ALA-12#

```

scheduler-hierarchy customer

- Syntax** `scheduler-hierarchy customer customer-id site customer-site-name [scheduler scheduler-name] [ingress | egress] [detail]`
- Context** show>qos
- Description** This command displays the scheduler hierarchy per customer multi-service-site.
- Parameters**
  - customer** *customer-id* — Specifies the ID number associated with a particular customer.
  - Values** 1 to 2147483647
  - site** *customer-site-name* — The unique name customer site name.
  - scheduler** *scheduler-name* — The unique scheduler name created in the context of the scheduler policy.
  - ingress** — Displays ingress SAP customer scheduler stats.
  - egress** — Displays egress SAP customer scheduler stats.
  - detail** — Displays detailed information.
- Output** **Show QoS Scheduler-Hierarchy Customer Output**

The following table describes the customer scheduler hierarchy fields.

**Table 33: Show QoS Scheduler-Hierarchy Customer Output Fields**

| Label      | Description                                                                                                                                                                                                                                                                                                                                    |
|------------|------------------------------------------------------------------------------------------------------------------------------------------------------------------------------------------------------------------------------------------------------------------------------------------------------------------------------------------------|
| Legend     | Admin CIR/PIR: Specifies the configured value of CIR/PIR.<br>Assigned CIR/PIR: Specifies the PIR/CIR rate given to a member by that parent level.<br>Offered CIR/PIR: Specifies the offered load on that member.<br>Consumed CIR/PIR: Specifies the amount of scheduler bandwidth used by this member.                                         |
| Lvl/Wt     | Specifies the priority level of the scheduler when compared to other child schedulers and queues vying for bandwidth on the parent schedulers during the ‘above CIR’ distribution phase of bandwidth allocation.<br>Weight defines the relative weight of this scheduler in comparison to other child schedulers and queues at the same level. |
| Cir Lvl/Wt | Specifies the level of hierarchy when compared to other schedulers and queues when vying for bandwidth on the parent scheduler.<br>Weight defines the relative weight of this queue as compared to other child schedulers and queues while vying for bandwidth on the parent scheduler.                                                        |
| PIR        | Specifies the PIR rate.                                                                                                                                                                                                                                                                                                                        |

**Table 33: Show QoS Scheduler-Hierarchy Customer Output Fields (Continued)**

| Label              | Description (Continued)                                                                                                 |
|--------------------|-------------------------------------------------------------------------------------------------------------------------|
| CIR                | Specifies the CIR rate.                                                                                                 |
| Parent             | Specifies the parent scheduler that governs the available bandwidth given the queue aside from the queue's PIR setting. |
| Service-Id         | The ID that uniquely identifies the policy.                                                                             |
| Customer-Id        | The ID that uniquely identifies the customer.                                                                           |
| SAP                | Specifies the Service Access Point (SAP) within the service where the policy is applied.                                |
| Multi Service Site | Specifies the multi-service site name.                                                                                  |
| Orphan Queues      | Specifies the number of queues in an orphaned state.                                                                    |
| Hierarchy          | Displays the scheduler policy tree structure.                                                                           |

**Sample Output**

```
A:D# show qos scheduler-hierarchy customer 1 site bc
=====
Scheduler Hierarchy - Customer 1 MSS bc
=====
Root (Ing)
| slot(1)
|--(S) : gp
Root (Egr)
| slot(1)
|--(S) : gp
|
| |--(S) : pb
| |
| | |--(S) : pbs
| |
| | |--(S) : mb
| | |
| | | |--(S) : mbs
|
|--(S) : rb
|
|--(S) : rbs
=====
A:D#
```

## scheduler-hierarchy port

**Syntax** `scheduler-hierarchy port port-id [detail] queue-group queue-group-name [scheduler scheduler-name] [ingress | egress]`  
`scheduler-hierarchy port port-id [detail]`

## QoS Scheduler Policy Command Reference

**Context** show>qos

**Description** This command displays scheduler hierarchy information per port.

**Parameters** *port-id* — Specifies the port ID.

|                |                                          |                           |         |
|----------------|------------------------------------------|---------------------------|---------|
| <i>port-id</i> | <i>slot/mda/port</i> [ <i>.channel</i> ] |                           |         |
|                | eth-sat-id                               | esat-id/ <i>slot/port</i> |         |
|                |                                          | esat                      | keyword |
|                |                                          | <i>id</i>                 | 1 to 20 |
|                | pxc-id                                   | pxc-id. <i>sub-port</i>   |         |
|                |                                          | pxc                       | keyword |
|                |                                          | <i>id</i>                 | 1 to 64 |
|                |                                          | <i>sub-port</i>           | a, b    |

**detail** — Displays detailed information.

**queue-group** *queue-group-name* — Displays information about the specified queue group on the port.

**scheduler** *scheduler-name* — Displays information about the specified scheduler policy on the port.

**ingress** — Specifies to display ingress queue group information.

**egress** — Specifies to display egress queue group information.

### Output **Show QoS Scheduler-Hierarchy Port Output**

The following table describes port scheduler hierarchy fields.

**Table 34: Show QoS Schedule-Hierarchy Port Output Fields**

| Label             | Description                                                                    |
|-------------------|--------------------------------------------------------------------------------|
| S                 | Displays the scheduler name.                                                   |
| Q                 | Displays the queue ID and information.                                         |
| Admin CIR/PIR:    | Specifies the configured value of CIR/PIR.                                     |
| Assigned CIR/PIR: | Specifies the on-the-wire PIR/CIR rate given to a member by that parent level. |
| Offered CIR/PIR:  | Specifies the on-the-wire offered load on that member.                         |
| Consumed CIR/PIR: | Specifies the amount of scheduler bandwidth used by this member.               |

### Sample Output

```
*A:Dut-R# show qos scheduler-hierarchy port 1/2/1 detail
```

```

=====
Scheduler Hierarchy - Port 1/2/1
=====
Port-scheduler-policy p1
 Port Bandwidth : 10000000 Max Rate : max
 Consumed : 0 Offered : 0
[Within CIR Level 8]
 Rate : max
 Consumed : 0 Offered : 0

[Within CIR Level 7]
 Rate : max
 Consumed : 0 Offered : 0

[Within CIR Level 6]
 Rate : max
 Consumed : 0 Offered : 0

 (Q) : 2->1/2/1:1->3
 Assigned : 768 Offered : 0
 Consumed : 0
 Weight : 0

[Within CIR Level 5]
 Rate : max
 Consumed : 0 Offered : 0

[Within CIR Level 4]
 Rate : max
 Consumed : 0 Offered : 0

[Within CIR Level 3]
 Rate : max
 Consumed : 0 Offered : 0

[Within CIR Level 2]
 Rate : max
 Consumed : 0 Offered : 0

 (S) voip(SAP 1/2/1:1)
 Assigned : 0 Offered : 0
 Consumed : 0
 Weight : 40

 (S) all(SAP 1/2/1:1)
 Assigned : 19000 Offered : 0
 Consumed : 0
 Weight : 50

[Within CIR Level 1]
 Rate : max
 Consumed : 0 Offered : 0

[Within CIR Level 0]
 Rate : 0
 Consumed : 0 Offered : 0

[Above CIR Level 8]
 Rate : max

```

## QoS Scheduler Policy Command Reference

```
Consumed : 0 Offered : 0

[Above CIR Level 7]
Rate : max
Consumed : 0 Offered : 0

[Above CIR Level 6]
Rate : max
Consumed : 0 Offered : 0

[Above CIR Level 5]
Rate : max
Consumed : 0 Offered : 0

[Above CIR Level 4]
Rate : max
Consumed : 0 Offered : 0

[Above CIR Level 3]
Rate : max
Consumed : 0 Offered : 0

[Above CIR Level 2]
Rate : max
Consumed : 0 Offered : 0

(S) voip(SAP 1/2/1:1)
Assigned : 10000000 Offered : 0
Consumed : 0
Weight : 30

(S) all(SAP 1/2/1:1)
Assigned : 960000 Offered : 0
Consumed : 0
Weight : 50

[Above CIR Level 1]
Rate : max
Consumed : 0 Offered : 0

(Q) : 2->1/2/1:1->3
Assigned : 786 Offered : 0
Consumed : 0
Weight : 1
```

```
=====
*A:Dut-R#
```

### scheduler-hierarchy sap

- Syntax** `scheduler-hierarchy sap sap-id [scheduler scheduler-name] [ingress | egress] [detail]`
- Context** `show>qos`
- Description** This command displays the scheduler hierarchy per SAP.

**Parameters**    **sap** *sap-id* — Specifies the SAP assigned to the service.

**Values**        The following values apply to the 7750 SR and 7950 XRS:

|               |                |                                                                                             |
|---------------|----------------|---------------------------------------------------------------------------------------------|
| <i>sap-id</i> | null           | [ <i>port-id</i>   <i>lag-id</i> ]                                                          |
|               | dot1q          | [ <i>port-id</i>   <i>lag-id</i> ]: <i>qtag1</i>                                            |
|               | qinq           | [ <i>port-id</i>   <i>bundle-id</i>   <i>bpgrp-id</i>   <i>lag-id</i> ]: <i>qtag1.qtag2</i> |
|               | <i>port-id</i> | <i>slot/mda/port</i> [. <i>channel</i> ]                                                    |
|               |                | <i>esat-id/slot/port</i>                                                                    |
|               | esat           | keyword                                                                                     |
|               | <i>id</i>      | 1 to 20                                                                                     |
|               |                | <i>pxc-id.sub-port</i>                                                                      |
|               | pxc            | keyword                                                                                     |
|               | <i>id</i>      | 1 to 64                                                                                     |
|               |                | <i>sub-port</i> a, b                                                                        |
|               | <i>lag-id</i>  | <i>lag-id</i>                                                                               |
|               |                | <i>lag</i> keyword                                                                          |
|               |                | <i>id</i> 1 to 800                                                                          |
|               | <i>qtag1</i>   | 0 to 4094                                                                                   |
|               | <i>qtag2</i>   | *, 0 to 4094                                                                                |

**Values**        The following values apply to the 7750 SR only:

## QoS Scheduler Policy Command Reference

|               |                                                                                                                                                                                                                                                                                                                                                                                                                                                                                                                                                                                                                                                                                                                                                                                                                                                                                                                                                                                                                                                                                                                             |
|---------------|-----------------------------------------------------------------------------------------------------------------------------------------------------------------------------------------------------------------------------------------------------------------------------------------------------------------------------------------------------------------------------------------------------------------------------------------------------------------------------------------------------------------------------------------------------------------------------------------------------------------------------------------------------------------------------------------------------------------------------------------------------------------------------------------------------------------------------------------------------------------------------------------------------------------------------------------------------------------------------------------------------------------------------------------------------------------------------------------------------------------------------|
| <i>sap-id</i> | null [port-id   bundle-id   bpgrp-id   lag-id   aps-id]<br>dot1q [port-id   bundle-id   bpgrp-id   lag-id   aps-id]:qtag1<br>qinq [port-id   bundle-id   bpgrp-id   lag-id]:qtag1.qtag2<br>atm [port-id   aps-id][:vpi/vci   vpi   vpi1.vpi2]<br>frame [port-id   aps-id]:dlci<br>cisco-hdlc slot/mda/port.channel<br>cem slot/mda/port.channel<br>ima-grp [bundle-id][:vpi/vci   vpi   vpi1.vpi2]<br>port-id slot/mda/port[.channel]<br>bundle-id bundle-type-slot/mda.bundle-num<br>bundle keyword<br>type ima, fr, ppp<br>bundle-num 1 to 336<br>bpgrp-id bpgrp-type-bpgrp-num<br>bpgrp keyword<br>type ima, ppp<br>bpgrp-num 1 to 2000<br>aps-id aps-group-id[.channel]<br>aps keyword<br>group-id 1 to 64<br>ccag-id ccag-id.path-id[cc-type]:cc-id<br>ccag keyword<br>id 1 to 8<br>path-id a, b<br>cc-type .sap-net, .net-sap<br>cc-id 0 to 4094<br>lag-id lag-id<br>lag keyword<br>id 1 to 800<br>qtag1 0 to 4094<br>qtag2 *, 0 to 4094<br>vpi NNI: 0 to 4095<br>UNI: 0 to 255<br>vci 1, 2, 5 to 65535<br>dlci 16 to 1022<br>ipsec-id ipsec-id.[private   public]:tag<br>ipsec keyword<br>id 1 to 4<br>tag 0 to 4094 |
|---------------|-----------------------------------------------------------------------------------------------------------------------------------------------------------------------------------------------------------------------------------------------------------------------------------------------------------------------------------------------------------------------------------------------------------------------------------------------------------------------------------------------------------------------------------------------------------------------------------------------------------------------------------------------------------------------------------------------------------------------------------------------------------------------------------------------------------------------------------------------------------------------------------------------------------------------------------------------------------------------------------------------------------------------------------------------------------------------------------------------------------------------------|



**Values** The following values apply to the 7450 ESS only:

|               |          |                                                                 |
|---------------|----------|-----------------------------------------------------------------|
| <i>sap-id</i> | null     | [ <i>port-id</i>   <i>lag-id</i> ]                              |
|               | dot1q    | [ <i>port-id</i>   <i>lag-id</i> ]: <i>qtag1</i>                |
|               | qinq     | [ <i>port-id</i>   <i>lag-id</i> ]: <i>qtag1</i> . <i>qtag2</i> |
|               | frame    | [ <i>port-id</i> ]: <i>dlci</i>                                 |
|               | port-id  | slot/mda/port[.channel]                                         |
|               | aps-id   | aps-group-id[.channel]                                          |
|               | aps      | keyword                                                         |
|               | group-id | 1 to 64                                                         |
|               | ccag-id  | ccag-id.path-id[cc-type]:cc-id                                  |
|               | ccag     | keyword                                                         |
|               | id       | 1 to 8                                                          |
|               | path-id  | a, b]                                                           |
|               | cc-type  | .sap-net, .net-sap]                                             |
|               | cc-id    | 0 to 4094                                                       |
|               | lag-id   | lag-id                                                          |
|               | lag      | keyword                                                         |
|               | id       | 1 to 800                                                        |
|               | qtag1    | 0. to 4094                                                      |
|               | qtag2    | *, 0 to 4094                                                    |
|               | dlci     | 16 to 1022                                                      |

**scheduler** *scheduler-name* — The unique scheduler name created in the context of the scheduler policy

**ingress** — The keyword to display ingress SAP scheduler stats.

**egress** — The keyword to display egress SAP scheduler stats.

**detail** — Displays detailed information.

#### Output **Show Qos Scheduler-Hierarchy SAP Output**

The following table describes the SAP scheduler hierarchy fields.

**Table 35: Show QoS Scheduler-Hierarchy SAP Output Fields**

| Label  | Description                                                                                                                                                                                                                                                                                            |
|--------|--------------------------------------------------------------------------------------------------------------------------------------------------------------------------------------------------------------------------------------------------------------------------------------------------------|
| Legend | Admin CIR/PIR: Specifies the configured value of CIR/PIR.<br>Assigned CIR/PIR: Specifies the PIR/CIR rate given to a member by that parent level.<br>Offered CIR/PIR: Specifies the offered load on that member.<br>Consumed CIR/PIR: Specifies the amount of scheduler bandwidth used by this member. |
| PIR    | Specifies the PIR rate.                                                                                                                                                                                                                                                                                |
| CIR    | Specifies the CIR rate.                                                                                                                                                                                                                                                                                |
| S      | Displays the scheduler name.                                                                                                                                                                                                                                                                           |
| Q      | Displays the queue ID and information.                                                                                                                                                                                                                                                                 |

**Sample Output**

```
*A:Dut-R# show qos scheduler-hierarchy sap 1/2/1:1 ingress detail
=====
Scheduler Hierarchy - Sap 1/2/1:1
=====
Legend :
(*) real-time dynamic value
(w) Wire rates

Root (Ing)
| slot(1)
|--(S) : tplay
| | AdminPIR:960000 AdminCIR:960000 (sum)
| |
| | [Within CIR Level 0 Weight 0]
| | Assigned:0 Offered:0
| | Consumed:0
| |
| | [Above CIR Level 0 Weight 0]
| | Assigned:0 Offered:0
| | Consumed:0
| |
| | TotalConsumed:0
| | OperPIR:960000
| |
| | [As Parent]
| | Rate:960000
| | ConsumedByChildren:960000
|
|--(S) : voice
| | AdminPIR:max AdminCIR:max (sum)
| |
| | [Within CIR Level 6 Weight 1]
| | Assigned:960000 Offered:120000
| | Consumed:120000
```

```

[Above CIR Level 1 Weight 1]
Assigned:960000 Offered:120000
Consumed:0

TotalConsumed:120000
OperPIR:960000

[As Parent]
Rate:960000
ConsumedByChildren:120000

--(S) : AccessIngress:2->1/2/1:1->3
 | AdminPIR:max AdminCIR:max(sum)
 |
 | [Within CIR Level 0 Weight 1]
 | Assigned:960000 Offered:0
 | Consumed:0
 |
 | [Above CIR Level 1 Weight 1]
 | Assigned:960000 Offered:120000
 | Consumed:120000
 |
 | TotalConsumed:120000
 | OperPIR:960000
 |
 | [As Parent]
 | OperPIR:960000 OperCIR:960000
 | ConsumedByChildren:120000
 |
 | --(Q) : 2->1/2/1:1->3 5/1
 | | AdminPIR:10000000 AdminCIR:10000000
 | | CBS:6144 MBS:12288
 | | Depth:0 HiPrio:2048
 | |
 | | [CIR]
 | | Assigned:960000 Offered:120000
 | | Consumed:120000
 | |
 | | [PIR]
 | | Assigned:960000 Offered:120000
 | | Consumed:0
 | |
 | | OperPIR:960000 OperCIR:960000
 | |
 | --(Q) : 2->1/2/1:1->3 1/2
 | | AdminPIR:10000000 AdminCIR:10000000
 | | CBS:6144 MBS:12288
 | | Depth:0 HiPrio:2048
 | |
 | | [CIR]
 | | Assigned:840000 Offered:0
 | | Consumed:0
 | |
 | | [PIR]
 | | Assigned:840000 Offered:0
 | | Consumed:0
 | |
 | | OperPIR:840000 OperCIR:840000

```

## QoS Scheduler Policy Command Reference

```

--(S) : vod
 AdminPIR:max AdminCIR:max(sum)

 [Within CIR Level 2 Weight 75]
 Assigned:840000 Offered:2400000
 Consumed:840000

 [Above CIR Level 2 Weight 75]
 Assigned:840000 Offered:2400000
 Consumed:0

 TotalConsumed:840000
 OperPIR:840000

 [As Parent]
 Rate:840000
 ConsumedByChildren:840000

--(S) : AccessIngress:2->1/2/1:1->2
 AdminPIR:max AdminCIR:max(sum)

 [Within CIR Level 0 Weight 1]
 Assigned:840000 Offered:0
 Consumed:0

 [Above CIR Level 1 Weight 1]
 Assigned:840000 Offered:2400000
 Consumed:840000

 TotalConsumed:840000
 OperPIR:840000

 [As Parent]
 OperPIR:840000 OperCIR:840000
 ConsumedByChildren:840000

--(Q) : 2->1/2/1:1->2 5/1
 AdminPIR:10000000 AdminCIR:10000000
 CBS:6144 MBS:12288
 Depth:10236 HiPrio:2048

 [CIR]
 Assigned:840000 Offered:2400000
 Consumed:840000

 [PIR]
 Assigned:840000 Offered:2400000
 Consumed:0

 OperPIR:840000 OperCIR:840000

--(Q) : 2->1/2/1:1->2 1/2
 AdminPIR:10000000 AdminCIR:10000000
 CBS:6144 MBS:12288
 Depth:0 HiPrio:2048

 [CIR]

```

```

Assigned:420000 Offered:0
Consumed:0

[PIR]
Assigned:420000 Offered:0
Consumed:0

OperPIR:420000 OperCIR:420000

--(S) : hsi
AdminPIR:max AdminCIR:0(sum)

[Within CIR Level 2 Weight 5]
Assigned:0 Offered:0
Consumed:0

[Above CIR Level 1 Weight 1]
Assigned:0 Offered:961000
Consumed:0

TotalConsumed:0
OperPIR:0

[As Parent]
Rate:0
ConsumedByChildren:0

--(S) : AccessIngress:2->1/2/1:1->1
AdminPIR:max AdminCIR:0(sum)

[Within CIR Level 0 Weight 1]
Assigned:0 Offered:0
Consumed:0

[Above CIR Level 1 Weight 1]
Assigned:0 Offered:961000
Consumed:0

TotalConsumed:0
OperPIR:0

[As Parent]
OperPIR:0 OperCIR:0
ConsumedByChildren:0

--(Q) : 2->1/2/1:1->1 5/1
AdminPIR:1000000 AdminCIR:0
CBS:0 MBS:0
Depth:0 HiPrio:0

[CIR]
Assigned:0 Offered:0
Consumed:0

[PIR]
Assigned:0 Offered:961000
Consumed:0

```

## QoS Scheduler Policy Command Reference

```

| | | | | OperPIR:0 OperCIR:0
| | | | | --(Q) : 2->1/2/1:1->1 1/2
| | | | | AdminPIR:10000000 AdminCIR:0
| | | | | CBS:0 MBS:0
| | | | | Depth:0 HiPrio:0
| | | | | [CIR]
| | | | | Assigned:0 Offered:0
| | | | | Consumed:0
| | | | | [PIR]
| | | | | Assigned:0 Offered:0
| | | | | Consumed:0
| | | | | OperPIR:0 OperCIR:0
=====
*A:Dut-R#

*A:Dut-R# show qos scheduler-hierarchy sap 5/1/1:1 egress detail
=====
Scheduler Hierarchy - Sap 5/1/1:1
=====
Legend :
(*) real-time dynamic value
(w) Wire rates

Root (Egr)
| slot(5)
|--(S) : tplay
| | AdminPIR:960000 AdminCIR:19768(sum)
| | [Within CIR Level 0 Weight 0]
| | Assigned:0 Offered:0
| | Consumed:0
| | [Above CIR Level 0 Weight 0]
| | Assigned:0 Offered:0
| | Consumed:0
| | TotalConsumed:0
| | OperPIR:960000
| | [As Parent]
| | Rate:960000
| | ConsumedByChildren:19661
| |
| | --(S) : hsi
| | | AdminPIR:max AdminCIR:3000(sum)
| | | [Within CIR Level 2 Weight 5]
| | | Assigned:3000 Offered:3000
| | | Consumed:3000
| | | [Above CIR Level 1 Weight 1]
| | | Assigned:946339 Offered:6000

```

```

Consumed:3000

TotalConsumed:6000
OperPIR:946339

[As Parent]
Rate:946339
ConsumedByChildren:6000

--(Q) : 2->5/1/1:1->1
| AdminPIR:6000 AdminCIR:3000
| CBS:4 MBS:64
| Depth:56 HiPrio:8
|
| [Within CIR Level 0 Weight 1]
| Assigned:3000 Offered:0
| Consumed:0
|
| [Above CIR Level 1 Weight 1]
| Assigned:6000 Offered:6000
| Consumed:6000
|
| TotalConsumed:6000
| OperPIR:6000 OperCIR:3000

--(S) : vod
| AdminPIR:max AdminCIR:16000(sum)
|
| [Within CIR Level 2 Weight 75]
| Assigned:16000 Offered:13100
| Consumed:13100
|
| [Above CIR Level 2 Weight 75]
| Assigned:956439 Offered:13100
| Consumed:0
|
| TotalConsumed:13100
| OperPIR:956439
|
| [As Parent]
| Rate:956439
| ConsumedByChildren:13100

--(Q) : 2->5/1/1:1->2
| AdminPIR:20000 AdminCIR:16000
| CBS:20 MBS:64
| Depth:0 HiPrio:8
|
| [Within CIR Level 0 Weight 1]
| Assigned:16000 Offered:0
| Consumed:0
|
| [Above CIR Level 1 Weight 1]
| Assigned:20000 Offered:13100
| Consumed:13100
|
| TotalConsumed:13100
| OperPIR:20000 OperCIR:16000

```

## QoS Scheduler Policy Command Reference

```

--(S) : voice
AdminPIR:max AdminCIR:768 (sum)

[Within CIR Level 6 Weight 1]
Assigned:768 Offered:561
Consumed:561

[Above CIR Level 1 Weight 1]
Assigned:940900 Offered:561
Consumed:0

TotalConsumed:561
OperPIR:940900

[As Parent]
Rate:940900
ConsumedByChildren:561

--(Q) : 2->5/1/1:1->3
AdminPIR:786 AdminCIR:768
CBS:8 MBS:64
Depth:0 HiPrio:8

[Within CIR Level 0 Weight 1]
Assigned:768 Offered:0
Consumed:0

[Above CIR Level 1 Weight 1]
Assigned:786 Offered:561
Consumed:561

TotalConsumed:561
OperPIR:784 OperCIR:768
=====
*A:Dut-R#

```

### scheduler-hierarchy subscriber

- Syntax** **scheduler-hierarchy subscriber** *sub-ident-string* [**scheduler** *scheduler-name*] [**ingress** | **egress**] [**detail**]
- Context** show>qos
- Description** This command displays the scheduler hierarchy per subscriber.
- Parameters**
- subscriber** *sub-ident-string* — Displays the subscriber identification policy name.
  - scheduler** *scheduler-name* — Displays the scheduler name.
  - ingress** — Displays ingress SAP subscriber scheduler stats.
  - egress** — Displays egress SAP subscriber scheduler stats.
  - detail** — Displays detailed information.



**Output Show QoS Scheduler-Hierarchy Subscriber Output**

The following table describes the QoS scheduler hierarchy subscriber fields.

**Table 36: Show QoS Scheduler-Hierarchy Subscriber Output Fields**

| Label  | Description                                                                                                                                                                                                                                                                                            |
|--------|--------------------------------------------------------------------------------------------------------------------------------------------------------------------------------------------------------------------------------------------------------------------------------------------------------|
| Legend | Admin CIR/PIR: Specifies the configured value of CIR/PIR.<br>Assigned CIR/PIR: Specifies the PIR/CIR rate given to a member by that parent level.<br>Offered CIR/PIR: Specifies the offered load on that member.<br>Consumed CIR/PIR: Specifies the amount of scheduler bandwidth used by this member. |
| PIR    | Specifies the PIR rate.                                                                                                                                                                                                                                                                                |
| CIR    | Specifies the CIR rate.                                                                                                                                                                                                                                                                                |
| S      | Displays the scheduler name.                                                                                                                                                                                                                                                                           |
| Q      | Displays the queue ID and information.                                                                                                                                                                                                                                                                 |

**Sample Output**

```
A:D# show qos scheduler-hierarchy subscriber RoutedCoHost1
=====
Scheduler Hierarchy - Subscriber RoutedCoHost1
=====
Root (Ing)
| slot(1)
|--(S) : grandpa
|
| |--(S) : AccessIngress:Sub=1:1 200->1/2/5:1->8
| |
| | |--(Q) : Sub=RoutedCoHost1:adsl-hsi 200->1/2/5:1->8 1/2
| | |--(Q) : Sub=RoutedCoHost1:adsl-hsi 200->1/2/5:1->8 2/1
| |
| |--(S) : AccessIngress:Sub=1:1 200->1/2/5:1->7
| |
| | |--(Q) : Sub=RoutedCoHost1:adsl-hsi 200->1/2/5:1->7 1/2
| | |--(Q) : Sub=RoutedCoHost1:adsl-hsi 200->1/2/5:1->7 2/1
| |
| |--(S) : AccessIngress:Sub=1:1 200->1/2/5:1->6
| |
| | |--(Q) : Sub=RoutedCoHost1:adsl-hsi 200->1/2/5:1->6 1/2
| | |--(Q) : Sub=RoutedCoHost1:adsl-hsi 200->1/2/5:1->6 2/1
| |
| |
```



```

|
| --(Q) : Sub=RoutedCoHost1:adsl-hsi 200->1/2/5:1->5
|
| --(Q) : Sub=RoutedCoHost1:adsl-hsi 200->1/2/5:1->7
|
| --(S) : rbs
|
| --(Q) : Sub=RoutedCoHost1:adsl-hsi 200->1/2/5:1->6
|
| --(Q) : Sub=RoutedCoHost1:adsl-hsi 200->1/2/5:1->8
|

```

show qos scheduler-hierarchy subscriber x detail

```

...
|--(Q) : Sub=hpolSub43:hpolslaProf1 2000->2/1/5:2000->2 (Port 2/1/5)
|
| AdminPIR:100000 AdminCIR:0
|
| AvgFrmOv:0.00
|
| AdminPIR:100000(w) AdminCIR:0(w)
|
| CBS:0 B MBS:125952 B
|
| Depth:0 B HiPrio:15360 B
|
| MaxAggRate:22032821(w) CurAggRate:0(w)
|
| [Within CIR Level 0 Weight 0]
| Assigned:0(w) Offered:0(w)
| Consumed:0(w)
|
| [Above CIR Level 1 Weight 60]
| Assigned:1000(w) Offered:0(w)
| Consumed:0(w)
|
| TotalConsumed:0
| OperPIR:1000 OperCIR:0
|
...

```

## scheduler-name

- Syntax** scheduler-name *scheduler-name*
- Context** show>qos
- Description** This command displays the scheduler policies using the specified scheduler.
- Parameters** *scheduler-name* — The name of a scheduler configured in the **config>qos>scheduler-policy>tier** context.

### Output

#### Sample Output

```

A:ALA-12# show qos scheduler-name NetworkControl
=====
Scheduler : NetworkControl
=====

```

## QoS Scheduler Policy Command Reference

```
Scheduler Policy : SLA1
Scheduler Policy : alpha
Scheduler Policy : beta
=====
A:ALA-12#
```

### scheduler-stats customer

- Syntax** `scheduler-stats customer customer-id site customer-site-name [scheduler scheduler-name] [ingress | egress]`
- Context** show>qos
- Description** This command displays scheduler statistics information.
- Parameters** `customer customer-id` — Specifies the ID number associated with a particular customer.  
**Values** 1 to 2147483647  
`site customer-site-name` — The unique customer site name.  
`scheduler scheduler-name` — The unique scheduler name created in the context of the scheduler policy  
`ingress` — The keyword to display ingress SAP customer scheduler stats.  
`egress` — The keyword to display egress SAP customer scheduler stats.
- Output** **Show QoS Scheduler-Stats Customer Output**

The following table describes the SAP scheduler-stats customer fields.

**Table 37: Show QoS Scheduler-Stats Customer Output Fields**

| Label             | Description                               |
|-------------------|-------------------------------------------|
| Scheduler         | Displays the scheduler policy name.       |
| Forwarded Packets | Displays the number of packets forwarded. |
| Forwarded Octets  | Displays the number of octets forwarded.  |

### Sample Output

```
A:ALA-12# show qos scheduler-stats customer 274 site west scheduler NetworkControl
ingress
=====
Scheduler Stats
=====
Scheduler Forwarded Packets Forwarded Octets

NetworkControl 0 0
=====
A:ALA-12#
```

## scheduler-stats sap

- Syntax** `scheduler-stats sap sap-id [scheduler scheduler-name] [ingress | egress]`
- Context** show>qos
- Description** Display the scheduler stats per SAP.
- Parameters** `sap sap-id` — The port number and encapsulation value used to identify the SAP.

**Values** The following values apply to the 7750 SR and 7950 XRS:

|               |          |                                                        |
|---------------|----------|--------------------------------------------------------|
| <i>sap-id</i> | null     | [ <i>port-id</i>   <i>lag-id</i> ]                     |
|               | dot1q    | [ <i>port-id</i>   <i>lag-id</i> ]: <i>qtag1</i>       |
|               | qinq     | [ <i>port-id</i>   <i>lag-id</i> ]: <i>qtag1.qtag2</i> |
|               | lag-id   | lag-id                                                 |
|               | lag      | keyword                                                |
|               | id       | 1 to 800                                               |
|               | qtag1    | 0 to 4094                                              |
|               | qtag2    | *, 0 to 4094                                           |
|               | vpi      | NNI: 0 to 4095<br>UNI: 0 to 255                        |
|               | vci      | 1, 2, 5 to 65535                                       |
|               | dldci    | 16 to 1022                                             |
|               | ipsec-id | ipsec-id.[private   public]: <i>tag</i>                |
|               | ipsec    | keyword                                                |
|               | id       | 1 to 4                                                 |
|               | tag      | 0 to 4094                                              |

**Values** The following values apply to the 7750 SR only:

## QoS Scheduler Policy Command Reference

|               |                |                                                                                                       |
|---------------|----------------|-------------------------------------------------------------------------------------------------------|
| <i>sap-id</i> | null           | [ <i>port-id</i>   <i>bundle-id</i>   <i>bpgrp-id</i>   <i>lag-id</i>   <i>aps-id</i> ]               |
| dot1q         |                | [ <i>port-id</i>   <i>bundle-id</i>   <i>bpgrp-id</i>   <i>lag-id</i>   <i>aps-id</i> ]: <i>qtag1</i> |
| qinq          |                | [ <i>port-id</i>   <i>bundle-id</i>   <i>bpgrp-id</i>   <i>lag-id</i> ]: <i>qtag1.qtag2</i>           |
| atm           |                | [ <i>port-id</i>   <i>aps-id</i> ][: <i>vpi/vci</i>   <i>vpi</i>   <i>vpi1.vpi2</i> ]                 |
| frame         |                | [ <i>port-id</i>   <i>aps-id</i> ]: <i>dldci</i>                                                      |
| cisco-hdlc    |                | <i>slot/mda/port.channel</i>                                                                          |
| cem           |                | <i>slot/mda/port.channel</i>                                                                          |
| ima-grp       |                | [ <i>bundle-id</i> ][: <i>vpi/vci</i>   <i>vpi</i>   <i>vpi1.vpi2</i> ]                               |
| port-id       |                | <i>slot/mda/port</i> [ <i>.channel</i> ]                                                              |
| bundle-id     |                | <i>bundle-type-slot/mda.bundle-num</i>                                                                |
|               | bundle         | keyword                                                                                               |
|               | type           | ima, fr, ppp                                                                                          |
|               | bundle-num     | 1 to 336                                                                                              |
| bpgrp-id      |                | <i>bpgrp-type-bpgrp-num</i>                                                                           |
|               | bpgrp          | keyword                                                                                               |
|               | type           | ima, ppp                                                                                              |
|               | bpgrp-num      | 1 to 2000                                                                                             |
| aps-id        |                | <i>aps-group-id</i> [ <i>.channel</i> ]                                                               |
|               | aps            | keyword                                                                                               |
|               | group-id       | 1 to 64                                                                                               |
| ccag-id       |                | <i>ccag-id.path-id</i> [ <i>cc-type</i> ]: <i>cc-id</i>                                               |
|               | ccag           | keyword                                                                                               |
|               | id             | 1 to 8                                                                                                |
|               | path-id        | a, b                                                                                                  |
|               | cc-type        | .sap-net, .net-sap                                                                                    |
|               | cc-id          | 0 to 4094                                                                                             |
| eth-tunnel    |                | <i>eth-tunnel-id</i> [: <i>eth-tun-sap-id</i> ]                                                       |
|               | id:            | 1 to 1024                                                                                             |
|               | eth-tun-sap-id | 0 to 4094                                                                                             |
| lag-id        |                | <i>lag-id</i>                                                                                         |
|               | lag            | keyword                                                                                               |
|               | id             | 1 to 800                                                                                              |
| qtag1         |                | 0 to 4094                                                                                             |
| qtag2         |                | *, 0 to 4094                                                                                          |
| vpi           |                | NNI: 0 to 4095<br>UNI: 0 to 255                                                                       |
| vci           |                | 1, 2, 5 to 65535                                                                                      |
| dldci         |                | 16 to 1022                                                                                            |
| ipsec-id      |                | <i>ipsec-id</i> .[ <i>private</i>   <i>public</i> ]: <i>tag</i>                                       |

**Values** The following values apply to the 7450 ESS:

|               |                |                                                                 |
|---------------|----------------|-----------------------------------------------------------------|
| <i>sap-id</i> | null           | [ <i>port-id</i>   <i>lag-id</i> ]                              |
|               | dot1q          | [ <i>port-id</i>   <i>lag-id</i> ]: <i>qtag1</i>                |
|               | qinq           | [ <i>port-id</i>   <i>lag-id</i> ]: <i>qtag1</i> . <i>qtag2</i> |
|               | frame          | [ <i>port-id</i> ]: <i>dlci</i>                                 |
|               | port-id        | slot/mda/port[.channel]                                         |
|               | aps-id         | aps-group-id[.channel]                                          |
|               | aps            | keyword                                                         |
|               | group-id       | 1 to 64                                                         |
|               | ccag-id        | ccag-id.path-id[cc-type]:cc-id                                  |
|               | ccag           | keyword                                                         |
|               | id             | 1 to 8                                                          |
|               | path-id        | a, b]                                                           |
|               | cc-type        | .sap-net, .net-sap]                                             |
|               | cc-id          | 0 to 4094                                                       |
|               | eth-tunnel     | eth-tunnel-id[:eth-tun-sap-id]                                  |
|               | id:            | 1 to 1024                                                       |
|               | eth-tun-sap-id | 0 to 4094                                                       |
|               | lag-id         | lag-id                                                          |
|               | lag            | keyword                                                         |
|               | id             | 1 to 800                                                        |
|               | qtag1          | 0. to 4094                                                      |
|               | qtag2          | *, 0 to 4094                                                    |
|               | dlci           | 16 to 1022                                                      |

**scheduler** *scheduler-name* — The name of an existing scheduler policy.

**ingress** — Display only the policy displayed on the ingress SAP.

**egress** — Display only the policy displayed on the egress SAP.

#### Output **Show QoS Scheduler-Stats SAP Output**

The following table describes the scheduler-stats SAP fields.

**Table 38: Show QoS Scheduler-Stats SAP Output Fields**

| Label             | Description                               |
|-------------------|-------------------------------------------|
| Scheduler         | Displays the scheduler policy name.       |
| Forwarded Packets | Displays the number of packets forwarded. |

## QoS Scheduler Policy Command Reference

**Table 38: Show QoS Scheduler-Stats SAP Output Fields (Continued)**

| Label              | Description                              |
|--------------------|------------------------------------------|
| Forwarded Octet    | Displays the number of octets forwarded. |
| Ingress Schedulers | Displays the egress scheduler name(s).   |
| Egress Schedulers  | Displays the ingress scheduler name(s).  |

### Sample Output

```
A:ALA-12# show qos scheduler-stats sap 1/1/4.1:0
=====
Scheduler Stats
=====
Scheduler Forwarded Packets Forwarded Octets

Ingress Schedulers
All_traffic 0 0
NetworkControl 0 0
Egress Schedulers
All_traffic 0 0
Internet_be 0 0
Internet_priority 0 0
Internet_voice 0 0
NetworkControl 0 0
NonVoice 0 0
VPN_be 0 0
VPN_nc 0 0
VPN_priority 0 0
VPN_reserved 0 0
VPN_video 0 0
VPN_voice 0 0
Voice 0 0
=====
A:ALA-12#
```

```
A:ALA-12# show qos scheduler-stats sap 1/1/5:0 scheduler 1
=====
Scheduler Stats
=====
Scheduler Forwarded Packets Forwarded Octets

Ingress Schedulers
No Matching Entries.
Egress Schedulers
No Matching Entries.
=====
A:ALA-12#
```

```
A:ALA-12# show qos scheduler-stats sap 1/1/4.1:0 scheduler All_traffic
=====
Scheduler Stats
=====
Scheduler Forwarded Packets Forwarded Octets
```



```

Ingress Schedulers
All_traffic 0 0
Egress Schedulers
All_traffic 0 0
=====
A:ALA-12#

```

## scheduler-stats subscriber

- Syntax** `scheduler-stats subscriber sub-ident-string [scheduler scheduler-name] [ingress | egress]`
- Context** `show>qos`
- Description** This command displays scheduler statistics information and applies only to the 7450 ESS and 7750 SR.
- Parameters**
  - `subscriber sub-ident-string` — Specifies an existing SLA profile string.
  - `scheduler scheduler-name` — Specifies an existing scheduler name.
  - `ingress` — Display only the policy displayed on ingress.
  - `egress` — Display only the policy displayed on egress.
- Output** **Show QoS Scheduler-Stats Subscriber Output**

The following table describes the QoS scheduler-stats subscriber fields.

**Table 39: Show QoS Scheduler-Stats Subscriber Output Fields**

| Label             | Description                               |
|-------------------|-------------------------------------------|
| Scheduler         | Displays the scheduler policy name.       |
| Forwarded Packets | Displays the number of packets forwarded. |
| Forwarded Octet   | Displays the number of octets forwarded.  |

### Sample Output

```

A:D# show qos scheduler-stats subscriber RoutedCoHost1
=====
Scheduler Stats
=====
Scheduler Forwarded Packets Forwarded Octets

Ingress Schedulers
gp 0 0
Egress Schedulers
gp 0 0
mb 0 0
mbs 0 0

```

## QoS Scheduler Policy Command Reference

```

pb 0 0
pbs 0 0
rb 0 0
rbs 0 0
=====
*A:D#

```

### agg-rate customer

- Syntax** **customer** *customer-id* **site** *customer-site-name* [**egress**] [**detail**]
- Context** show>qos
- Description** This command displays the HQoS aggregate rate limit per customer multi-service-site.
- Parameters** **customer** *customer-id* — Specifies the ID number associated with a particular customer.
- Values** 1 to 2147483647
- site** *customer-site-name* — The unique customer site name.
- egress** — Displays egress SAP customer scheduler stats.
- detail** — Displays detailed information.

### agg-rate port

- Syntax** **port** *port-id* **queue-group** *queue-group-name* [**egress**] [**access** | **network**] [**instance** *instance-id*] [**detail**]
- port** *port-id* **vport** *name* [**detail**]
- Context** show>qos
- Description** This command displays the HQoS aggregate rate limit per port or vport.
- Parameters** *port-id* — Specifies the port ID.
- |                |                                          |                   |         |
|----------------|------------------------------------------|-------------------|---------|
| <i>port-id</i> | <i>slot/mda/port</i> [ <i>.channel</i> ] |                   |         |
|                | eth-sat-id                               | esat-id/slot/port |         |
|                |                                          | esat              | keyword |
|                |                                          | <i>id</i>         | 1 to 20 |
|                | pxc-id                                   | pxc-id.sub-port   |         |
|                |                                          | pxc               | keyword |
|                |                                          | <i>id</i>         | 1 to 64 |
|                |                                          | <i>sub-port</i>   | a, b    |
- queue-group** *queue-group-name* — Displays information about the specified queue group on the port.

**egress** — Displays egress queue group information.

**access** — Displays HQoS aggregate rate limit information on an access port.

**network** — Displays HQoS aggregate rate limit information on a network port.

**instance** *instance-id* — Specifies the identification of a specific instance of the queue-group.

**Values** 1 to 65535

**vport** *name* — Displays HQoS aggregate rate limit information for the specified vport.

**detail** — Displays detailed information.

## agg-rate sap

**Syntax** **sap** *sap-id* [**egress**] [**detail**]

**sap** *sap-id* **encap-group** *group-name* [**member** *encap-id*] [**detail**]

**Context** show>qos

**Description** This command displays the HQoS aggregate rate limit per SAP or encap group.

**Parameters** **sap** *sap-id* — The port number and encapsulation value used to identify the SAP.

### Values

|               |              |                                                                                                                |
|---------------|--------------|----------------------------------------------------------------------------------------------------------------|
| <i>sap-id</i> | null         | [ <i>port-id</i>   <i>bundle-id</i>   <i>bpgrp-id</i>   <i>lag-id</i>   <i>aps-id</i> ]                        |
|               | dot1q        | [ <i>port-id</i>   <i>bundle-id</i>   <i>bpgrp-id</i>   <i>lag-id</i>   <i>aps-id</i> ]: <i>qtag1</i>          |
|               | qinq         | [ <i>port-id</i>   <i>bundle-id</i>   <i>bpgrp-id</i>   <i>lag-id</i> ]: <i>qtag1.qtag2</i>                    |
|               | atm          | [ <i>port-id</i>   <i>aps-id</i> ][: <i>vpi/vci</i>   <i>vpi</i>   <i>vpi1.vpi2</i>   <i>cp.conn-prof-id</i> ] |
|               | cp           | keyword                                                                                                        |
|               | conn-prof-id | [1 to 8000]                                                                                                    |
|               | frame        | [ <i>port-id</i>   <i>aps-id</i> ]: <i>dldi</i>                                                                |
|               | cisco-hdlc   | <i>slot/mda/port.channel</i>                                                                                   |
|               | cem          | <i>slot/mda/port.channel</i>                                                                                   |
|               | ima-grp      | [ <i>bundle-id</i> ][: <i>vpi/vci</i>   <i>vpi</i>   <i>vpi1.vpi2</i>   <i>cp.conn-prof-id</i> ]               |
|               | cp           | keyword                                                                                                        |
|               | conn-prof-id | [1to8000]                                                                                                      |
|               | port-id      | <i>slot/mda/port</i> [ <i>.channel</i> ]                                                                       |
|               | bundle-id    | <i>bundle-type-slot/mda.bundle-num</i>                                                                         |
|               | bundle       | keyword                                                                                                        |
|               | type         | ima, fr, ppp                                                                                                   |
|               | bundle-num   | 1 to 336                                                                                                       |
|               | bpgrp-id     | <i>bpgrp-type-bpgrp-num</i>                                                                                    |
|               | bpgrp        | keyword                                                                                                        |
|               | type         | ima, ppp                                                                                                       |

## QoS Scheduler Policy Command Reference

|            |                                  |                    |
|------------|----------------------------------|--------------------|
|            | bpggrp-num                       | 1 to 2000          |
| aps-id     | aps-group-id[.channel]           |                    |
|            | aps                              | keyword            |
|            | group-id                         | 1 to 64            |
| ccag-id    | ccag-id.path-id[cc-type]:cc-id   |                    |
|            | ccag                             | keyword            |
|            | id                               | 1 to 8             |
|            | path-id                          | a, b               |
|            | cc-type                          | .sap-net, .net-sap |
|            | cc-id                            | 0 to 4094          |
| eth-tunnel | eth-tunnel-id[:eth-tun-sap-id]   |                    |
|            | id:                              | 1 to 128           |
|            | eth-tun-sap-id                   | 0 to 4094          |
| lag-id     | lag-id                           |                    |
|            | lag                              | keyword            |
|            | id                               | 1 to 800           |
| pw-id      | pw-id                            |                    |
|            | pw                               | keyword            |
|            | id                               | 1 to 10239         |
| qtag1      | 0 to 4094                        |                    |
| qtag2      | *, null, 0 to 4094               |                    |
| vpi        | NNI: 0 to 4095                   |                    |
|            | UNI: 0 to 255                    |                    |
| vci        | 1, 2, 5 to 65535                 |                    |
| dlci       | 16 to 1022                       |                    |
| tunnel-id  | tunnel-id.[private   public]:tag |                    |
|            | tunnel                           | keyword            |
|            | id                               | 1 to 16            |
|            | tag                              | 0 to 4094          |

**egress** — Displays egress SAP customer scheduler stats.

*group-name* — Specifies the name of the encap-group and can be up to 32 ASCII characters in length.

*encap-id* — Specifies the value of the single encap-id.

**Values** 1 to 16777215

**detail** — Displays detailed information.

## agg-rate subscriber

- Syntax** **subscriber** *sub-indent-string* [**egress**] [**detail**]
- Context** show>qos
- Description** This command displays the HQoS aggregate rate limit per subscriber.
- Parameters** **sub-indent-string** — Specifies the subscriber identification string of the subscriber.  
**egress** — Displays egress SAP customer scheduler stats.  
**detail** — Displays detailed information.

## port-scheduler-policy

- Syntax** **port-scheduler-policy** [*port-scheduler-policy-name*] [**association**]  
**port-scheduler-policy** *port-scheduler-policy-name* **network-policy** *network-queue-policy-name*  
**port-scheduler-policy** *port-scheduler-policy-name* **sap-egress** *policy-id*  
**port-scheduler-policy** *port-scheduler-policy-name* **scheduler-policy** *scheduler-policy-name*  
**port-scheduler-policy** *port-scheduler-policy-name* **scheduler-policy** *scheduler-policy-name* **sap-egress** *policy-id*
- Context** show>qos
- Description** This command displays port-scheduler policy information
- Parameters** *port-scheduler-policy-name* — Displays information for the specified existing port scheduler policy.  
**association** — Displays associations related to the specified port scheduler policy.  
**network-policy** *network-queue-policy-name* — Displays information for the specified existing network queue policy.  
**sap-egress** *policy-id* — Displays information for the specified existing SAP egress policy.  
**scheduler-policy** *scheduler-policy-name* — Displays information for the specified existing scheduler policy.
- Output** **Show QoS Port Scheduler Output**

The following table describes the QoS port scheduler policy fields.

**Table 40: Show QoS Port Scheduler Output Fields**

| Label       | Description                              |
|-------------|------------------------------------------|
| Policy Name | Displays the port scheduler policy name. |

**Table 40: Show QoS Port Scheduler Output Fields (Continued)**

| Label             | Description (Continued)                                                           |
|-------------------|-----------------------------------------------------------------------------------|
| Max Rate          | Displays the explicit maximum frame-based bandwidth limit of this port scheduler. |
| Lvlx PIR          | Displays the total bandwidth limit, PIR, for the specified priority level.        |
| Lvlx CIR          | Displays the within-cir bandwidth limit for the specified priority level.         |
| Orphan Lvl        | Displays above-cir port priority of orphaned queues and scheduler.                |
| Orphan Weight     | Displays the weight of orphaned queues and schedulers that are above-cir.         |
| Orphan CIR-Lvl    | Displays the port priority of orphaned queues and schedulers that are within-cir. |
| Orphan CIR-Weight | Displays the weight of orphaned queues and schedulers that are within-cir.        |
| Associations      | Displays associations related to the specified port scheduler policy.             |
| Mode              | Displays the port scheduler policy mode (STRICT, RR, WRR, WDRR).                  |
| Accounting        | Displays whether the accounting mode is frame-based or packet-based               |
| Last Changed      | Displays the last time the configuration changed.                                 |
| Queue #           | Displays the weight of the queue if configured.                                   |

**Sample Output**

```
*A:Dut-R# show qos port-scheduler-policy p1
=====
QoS Port Scheduler Policy
=====
Policy-Name : p1
Max Rate : max
Lvl1 PIR : max
Lvl2 PIR : max
Lvl3 PIR : max
Lvl4 PIR : max
Lvl5 PIR : max
Lvl6 PIR : max
Lvl7 PIR : max
Lvl8 PIR : max
Orphan Lvl : default
Orphan CIR-Lvl : default
Last changed : 05/21/2007 10:39:15
Lvl1 CIR : max
Lvl2 CIR : max
Lvl3 CIR : max
Lvl4 CIR : max
Lvl5 CIR : max
Lvl6 CIR : max
Lvl7 CIR : max
Lvl8 CIR : max
Orphan Weight : default
Orphan CIR-Weight : default
=====
QoS Port Scheduler Policy
=====
Policy-Name : p1

Associations

```

```
- Port : 5/1/1
=====
*A:Dut-R#
```

### Sample Output

The following configuration displays **dist-lag-rate-shared** and **percent-rate** for level, **group** and **max-rate** in a port-scheduler-policy

```
*B:vineshDut-A>config>qos>port-sched-plcy# info

dist-lag-rate-shared
 max-rate percent 30.00
group "test" create
 percent-rate 20.00 cir 20.00
exit
level 1 percent-rate 10.00 percent-cir 10.00
level 2 percent-rate 20.00 percent-cir 20.00
level 3 percent-rate 30.00 percent-cir 30.00
level 4 percent-rate 40.00 percent-cir 40.00
level 5 percent-rate 50.00 percent-cir 50.00
level 6 percent-rate 60.00 percent-cir 60.00
level 7 percent-rate 70.00 percent-cir 70.00
level 8 percent-rate 80.00 percent-cir 80.00
```

### Overrides

```
*B:vineshDut-A>config>port# info

ethernet
 mode access
 egress-scheduler-policy "psp2"
 egress-scheduler-override create
 max-rate percent 50.00
 level 1 percent-rate 10.00 percent-cir 10.00
 level 2 percent-rate 20.00 percent-cir 20.00
 level 3 percent-rate 30.00 percent-cir 30.00
 level 4 percent-rate 40.00 percent-cir 40.00
 level 5 percent-rate 50.00 percent-cir 50.00
 level 6 percent-rate 60.00 percent-cir 60.00
 level 7 percent-rate 70.00 percent-cir 70.00
 level 8 percent-rate 80.00 percent-cir 80.00
 exit
 autonegotiate limited
exit
no shutdown

```

The following output shows a **port-scheduler-policy** showing Dist Lag Rate and percent parameters

```
*B:vineshDut-A>config>port# /show qos port-scheduler-policy "psp2"
=====
QoS Port Scheduler Policy
=====
Policy-Name : psp2
```

## QoS Scheduler Policy Command Reference

```

Description : (Not Specified)
Max Rate : max
Dist LAG Rate : True
Group : test
Group PIR : max
Group PIR Percent : 20.00
Max Rate Percent : 30.00
Last changed : 07/16/2014 21:31:51
Group CIR : max
Group CIR Percent : 20.00

Lvl1 PIR : max
Lvl1 PIR Percent : 10.00
Lvl2 PIR : max
Lvl2 PIR Percent : 20.00
Lvl3 PIR : max
Lvl3 PIR Percent : 30.00
Lvl4 PIR : max
Lvl4 PIR Percent : 40.00
Lvl5 PIR : max
Lvl5 PIR Percent : 50.00
Lvl6 PIR : max
Lvl6 PIR Percent : 60.00
Lvl7 PIR : max
Lvl7 PIR Percent : 70.00
Lvl8 PIR : max
Lvl8 PIR Percent : 80.00
Orphan Lvl : default
Orphan CIR-Lvl : default

Lvl1 CIR : max
Lvl1 CIR Percent : 10.00
Lvl2 CIR : max
Lvl2 CIR Percent : 20.00
Lvl3 CIR : max
Lvl3 CIR Percent : 30.00
Lvl4 CIR : max
Lvl4 CIR Percent : 40.00
Lvl5 CIR : max
Lvl5 CIR Percent : 50.00
Lvl6 CIR : max
Lvl6 CIR Percent : 60.00
Lvl7 CIR : max
Lvl7 CIR Percent : 70.00
Lvl8 CIR : max
Lvl8 CIR Percent : 80.00
Orphan Weight : default
Orphan CIR-Weight : default

```

```

=====
Part of show port Output

Egr Port Sched Override

Max Rate : max*
Lvl1 PIR : max*
Lvl1 PIR Percent : 10.00
Lvl2 PIR : max*
Lvl2 PIR Percent : 20.00
Lvl3 PIR : max*
Lvl3 PIR Percent : 30.00
Lvl4 PIR : max*
Lvl4 PIR Percent : 40.00
Lvl5 PIR : max*
Lvl5 PIR Percent : 50.00
Lvl6 PIR : max*
Lvl6 PIR Percent : 60.00
Lvl7 PIR : max*
Lvl7 PIR Percent : 70.00
Lvl8 PIR : max*
Lvl8 PIR Percent : 80.00
* means the value is inherited

Max Rate Percent : 50.00
Lvl1 CIR : max*
Lvl1 CIR Percent : 10.00
Lvl2 CIR : max*
Lvl2 CIR Percent : 20.00
Lvl3 CIR : max*
Lvl3 CIR Percent : 30.00
Lvl4 CIR : max*
Lvl4 CIR Percent : 40.00
Lvl5 CIR : max*
Lvl5 CIR Percent : 50.00
Lvl6 CIR : max*
Lvl6 CIR Percent : 60.00
Lvl7 CIR : max*
Lvl7 CIR Percent : 70.00
Lvl8 CIR : max*
Lvl8 CIR Percent : 80.00

```



## Clear Commands

### sap

|                    |                                                                                                                                                                                                                                                                                                                                                                                                                                                                                                                                                                                                                                                                                                                                                                                                                                                                                                                                                                                                                                                                                                                                                                    |                                                                                       |      |                                    |  |       |                                                  |  |      |                                                        |  |     |                                                                                       |  |       |                                                 |  |            |                              |  |     |                              |  |         |                                                                         |  |         |                                |  |        |        |  |  |             |  |  |             |  |       |           |  |       |              |
|--------------------|--------------------------------------------------------------------------------------------------------------------------------------------------------------------------------------------------------------------------------------------------------------------------------------------------------------------------------------------------------------------------------------------------------------------------------------------------------------------------------------------------------------------------------------------------------------------------------------------------------------------------------------------------------------------------------------------------------------------------------------------------------------------------------------------------------------------------------------------------------------------------------------------------------------------------------------------------------------------------------------------------------------------------------------------------------------------------------------------------------------------------------------------------------------------|---------------------------------------------------------------------------------------|------|------------------------------------|--|-------|--------------------------------------------------|--|------|--------------------------------------------------------|--|-----|---------------------------------------------------------------------------------------|--|-------|-------------------------------------------------|--|------------|------------------------------|--|-----|------------------------------|--|---------|-------------------------------------------------------------------------|--|---------|--------------------------------|--|--------|--------|--|--|-------------|--|--|-------------|--|-------|-----------|--|-------|--------------|
| <b>Syntax</b>      | <b>sap</b> <i>sap-id</i> [ <b>scheduler</b> <i>scheduler-name</i> ] [ <b>ingress</b>   <b>egress</b> ]                                                                                                                                                                                                                                                                                                                                                                                                                                                                                                                                                                                                                                                                                                                                                                                                                                                                                                                                                                                                                                                             |                                                                                       |      |                                    |  |       |                                                  |  |      |                                                        |  |     |                                                                                       |  |       |                                                 |  |            |                              |  |     |                              |  |         |                                                                         |  |         |                                |  |        |        |  |  |             |  |  |             |  |       |           |  |       |              |
| <b>Context</b>     | clear>qos>scheduler-stats                                                                                                                                                                                                                                                                                                                                                                                                                                                                                                                                                                                                                                                                                                                                                                                                                                                                                                                                                                                                                                                                                                                                          |                                                                                       |      |                                    |  |       |                                                  |  |      |                                                        |  |     |                                                                                       |  |       |                                                 |  |            |                              |  |     |                              |  |         |                                                                         |  |         |                                |  |        |        |  |  |             |  |  |             |  |       |           |  |       |              |
| <b>Description</b> | This command clears scheduler statistics.                                                                                                                                                                                                                                                                                                                                                                                                                                                                                                                                                                                                                                                                                                                                                                                                                                                                                                                                                                                                                                                                                                                          |                                                                                       |      |                                    |  |       |                                                  |  |      |                                                        |  |     |                                                                                       |  |       |                                                 |  |            |                              |  |     |                              |  |         |                                                                         |  |         |                                |  |        |        |  |  |             |  |  |             |  |       |           |  |       |              |
| <b>Parameters</b>  | <i>sap-id</i> — Specifies the SAP assigned to the service.                                                                                                                                                                                                                                                                                                                                                                                                                                                                                                                                                                                                                                                                                                                                                                                                                                                                                                                                                                                                                                                                                                         |                                                                                       |      |                                    |  |       |                                                  |  |      |                                                        |  |     |                                                                                       |  |       |                                                 |  |            |                              |  |     |                              |  |         |                                                                         |  |         |                                |  |        |        |  |  |             |  |  |             |  |       |           |  |       |              |
| <b>Values</b>      | The following values apply to the 7750 SR and 7950 XRS:                                                                                                                                                                                                                                                                                                                                                                                                                                                                                                                                                                                                                                                                                                                                                                                                                                                                                                                                                                                                                                                                                                            |                                                                                       |      |                                    |  |       |                                                  |  |      |                                                        |  |     |                                                                                       |  |       |                                                 |  |            |                              |  |     |                              |  |         |                                                                         |  |         |                                |  |        |        |  |  |             |  |  |             |  |       |           |  |       |              |
|                    | <table> <tr> <td><i>sap-id</i></td> <td>null</td> <td>[<i>port-id</i>   <i>lag-id</i>]</td> </tr> <tr> <td></td> <td>dot1q</td> <td>[<i>port-id</i>   <i>lag-id</i>]:<i>qtag1</i></td> </tr> <tr> <td></td> <td>qinq</td> <td>[<i>port-id</i>   <i>lag-id</i>]:<i>qtag1.qtag2</i></td> </tr> <tr> <td></td> <td>atm</td> <td>[<i>port-id</i>   <i>aps-id</i>][:<i>vpi/vci</i>   <i>vpi</i>   <i>vpi1.vpi2</i>]</td> </tr> <tr> <td></td> <td>frame</td> <td>[<i>port-id</i>   <i>aps-id</i>]:<i>dlci</i></td> </tr> <tr> <td></td> <td>cisco-hdlc</td> <td><i>slot/mda/port.channel</i></td> </tr> <tr> <td></td> <td>cem</td> <td><i>slot/mda/port.channel</i></td> </tr> <tr> <td></td> <td>ima-grp</td> <td>[<i>bundle-id</i>][:<i>vpi/vci</i>   <i>vpi</i>   <i>vpi1.vpi2</i>]</td> </tr> <tr> <td></td> <td>port-id</td> <td><i>slot/mda/port[.channel]</i></td> </tr> <tr> <td></td> <td>lag-id</td> <td>lag-id</td> </tr> <tr> <td></td> <td></td> <td>lag keyword</td> </tr> <tr> <td></td> <td></td> <td>id 1 to 800</td> </tr> <tr> <td></td> <td>qtag1</td> <td>0 to 4094</td> </tr> <tr> <td></td> <td>qtag2</td> <td>*, 0 to 4094</td> </tr> </table> | <i>sap-id</i>                                                                         | null | [ <i>port-id</i>   <i>lag-id</i> ] |  | dot1q | [ <i>port-id</i>   <i>lag-id</i> ]: <i>qtag1</i> |  | qinq | [ <i>port-id</i>   <i>lag-id</i> ]: <i>qtag1.qtag2</i> |  | atm | [ <i>port-id</i>   <i>aps-id</i> ][: <i>vpi/vci</i>   <i>vpi</i>   <i>vpi1.vpi2</i> ] |  | frame | [ <i>port-id</i>   <i>aps-id</i> ]: <i>dlci</i> |  | cisco-hdlc | <i>slot/mda/port.channel</i> |  | cem | <i>slot/mda/port.channel</i> |  | ima-grp | [ <i>bundle-id</i> ][: <i>vpi/vci</i>   <i>vpi</i>   <i>vpi1.vpi2</i> ] |  | port-id | <i>slot/mda/port[.channel]</i> |  | lag-id | lag-id |  |  | lag keyword |  |  | id 1 to 800 |  | qtag1 | 0 to 4094 |  | qtag2 | *, 0 to 4094 |
| <i>sap-id</i>      | null                                                                                                                                                                                                                                                                                                                                                                                                                                                                                                                                                                                                                                                                                                                                                                                                                                                                                                                                                                                                                                                                                                                                                               | [ <i>port-id</i>   <i>lag-id</i> ]                                                    |      |                                    |  |       |                                                  |  |      |                                                        |  |     |                                                                                       |  |       |                                                 |  |            |                              |  |     |                              |  |         |                                                                         |  |         |                                |  |        |        |  |  |             |  |  |             |  |       |           |  |       |              |
|                    | dot1q                                                                                                                                                                                                                                                                                                                                                                                                                                                                                                                                                                                                                                                                                                                                                                                                                                                                                                                                                                                                                                                                                                                                                              | [ <i>port-id</i>   <i>lag-id</i> ]: <i>qtag1</i>                                      |      |                                    |  |       |                                                  |  |      |                                                        |  |     |                                                                                       |  |       |                                                 |  |            |                              |  |     |                              |  |         |                                                                         |  |         |                                |  |        |        |  |  |             |  |  |             |  |       |           |  |       |              |
|                    | qinq                                                                                                                                                                                                                                                                                                                                                                                                                                                                                                                                                                                                                                                                                                                                                                                                                                                                                                                                                                                                                                                                                                                                                               | [ <i>port-id</i>   <i>lag-id</i> ]: <i>qtag1.qtag2</i>                                |      |                                    |  |       |                                                  |  |      |                                                        |  |     |                                                                                       |  |       |                                                 |  |            |                              |  |     |                              |  |         |                                                                         |  |         |                                |  |        |        |  |  |             |  |  |             |  |       |           |  |       |              |
|                    | atm                                                                                                                                                                                                                                                                                                                                                                                                                                                                                                                                                                                                                                                                                                                                                                                                                                                                                                                                                                                                                                                                                                                                                                | [ <i>port-id</i>   <i>aps-id</i> ][: <i>vpi/vci</i>   <i>vpi</i>   <i>vpi1.vpi2</i> ] |      |                                    |  |       |                                                  |  |      |                                                        |  |     |                                                                                       |  |       |                                                 |  |            |                              |  |     |                              |  |         |                                                                         |  |         |                                |  |        |        |  |  |             |  |  |             |  |       |           |  |       |              |
|                    | frame                                                                                                                                                                                                                                                                                                                                                                                                                                                                                                                                                                                                                                                                                                                                                                                                                                                                                                                                                                                                                                                                                                                                                              | [ <i>port-id</i>   <i>aps-id</i> ]: <i>dlci</i>                                       |      |                                    |  |       |                                                  |  |      |                                                        |  |     |                                                                                       |  |       |                                                 |  |            |                              |  |     |                              |  |         |                                                                         |  |         |                                |  |        |        |  |  |             |  |  |             |  |       |           |  |       |              |
|                    | cisco-hdlc                                                                                                                                                                                                                                                                                                                                                                                                                                                                                                                                                                                                                                                                                                                                                                                                                                                                                                                                                                                                                                                                                                                                                         | <i>slot/mda/port.channel</i>                                                          |      |                                    |  |       |                                                  |  |      |                                                        |  |     |                                                                                       |  |       |                                                 |  |            |                              |  |     |                              |  |         |                                                                         |  |         |                                |  |        |        |  |  |             |  |  |             |  |       |           |  |       |              |
|                    | cem                                                                                                                                                                                                                                                                                                                                                                                                                                                                                                                                                                                                                                                                                                                                                                                                                                                                                                                                                                                                                                                                                                                                                                | <i>slot/mda/port.channel</i>                                                          |      |                                    |  |       |                                                  |  |      |                                                        |  |     |                                                                                       |  |       |                                                 |  |            |                              |  |     |                              |  |         |                                                                         |  |         |                                |  |        |        |  |  |             |  |  |             |  |       |           |  |       |              |
|                    | ima-grp                                                                                                                                                                                                                                                                                                                                                                                                                                                                                                                                                                                                                                                                                                                                                                                                                                                                                                                                                                                                                                                                                                                                                            | [ <i>bundle-id</i> ][: <i>vpi/vci</i>   <i>vpi</i>   <i>vpi1.vpi2</i> ]               |      |                                    |  |       |                                                  |  |      |                                                        |  |     |                                                                                       |  |       |                                                 |  |            |                              |  |     |                              |  |         |                                                                         |  |         |                                |  |        |        |  |  |             |  |  |             |  |       |           |  |       |              |
|                    | port-id                                                                                                                                                                                                                                                                                                                                                                                                                                                                                                                                                                                                                                                                                                                                                                                                                                                                                                                                                                                                                                                                                                                                                            | <i>slot/mda/port[.channel]</i>                                                        |      |                                    |  |       |                                                  |  |      |                                                        |  |     |                                                                                       |  |       |                                                 |  |            |                              |  |     |                              |  |         |                                                                         |  |         |                                |  |        |        |  |  |             |  |  |             |  |       |           |  |       |              |
|                    | lag-id                                                                                                                                                                                                                                                                                                                                                                                                                                                                                                                                                                                                                                                                                                                                                                                                                                                                                                                                                                                                                                                                                                                                                             | lag-id                                                                                |      |                                    |  |       |                                                  |  |      |                                                        |  |     |                                                                                       |  |       |                                                 |  |            |                              |  |     |                              |  |         |                                                                         |  |         |                                |  |        |        |  |  |             |  |  |             |  |       |           |  |       |              |
|                    |                                                                                                                                                                                                                                                                                                                                                                                                                                                                                                                                                                                                                                                                                                                                                                                                                                                                                                                                                                                                                                                                                                                                                                    | lag keyword                                                                           |      |                                    |  |       |                                                  |  |      |                                                        |  |     |                                                                                       |  |       |                                                 |  |            |                              |  |     |                              |  |         |                                                                         |  |         |                                |  |        |        |  |  |             |  |  |             |  |       |           |  |       |              |
|                    |                                                                                                                                                                                                                                                                                                                                                                                                                                                                                                                                                                                                                                                                                                                                                                                                                                                                                                                                                                                                                                                                                                                                                                    | id 1 to 800                                                                           |      |                                    |  |       |                                                  |  |      |                                                        |  |     |                                                                                       |  |       |                                                 |  |            |                              |  |     |                              |  |         |                                                                         |  |         |                                |  |        |        |  |  |             |  |  |             |  |       |           |  |       |              |
|                    | qtag1                                                                                                                                                                                                                                                                                                                                                                                                                                                                                                                                                                                                                                                                                                                                                                                                                                                                                                                                                                                                                                                                                                                                                              | 0 to 4094                                                                             |      |                                    |  |       |                                                  |  |      |                                                        |  |     |                                                                                       |  |       |                                                 |  |            |                              |  |     |                              |  |         |                                                                         |  |         |                                |  |        |        |  |  |             |  |  |             |  |       |           |  |       |              |
|                    | qtag2                                                                                                                                                                                                                                                                                                                                                                                                                                                                                                                                                                                                                                                                                                                                                                                                                                                                                                                                                                                                                                                                                                                                                              | *, 0 to 4094                                                                          |      |                                    |  |       |                                                  |  |      |                                                        |  |     |                                                                                       |  |       |                                                 |  |            |                              |  |     |                              |  |         |                                                                         |  |         |                                |  |        |        |  |  |             |  |  |             |  |       |           |  |       |              |

**Values** The following values apply to the 7750 SR:

## QoS Scheduler Policy Command Reference

|               |            |                                                                                                       |
|---------------|------------|-------------------------------------------------------------------------------------------------------|
| <i>sap-id</i> | null       | [ <i>port-id</i>   <i>bundle-id</i>   <i>bpgrp-id</i>   <i>lag-id</i>   <i>aps-id</i> ]               |
| dot1q         |            | [ <i>port-id</i>   <i>bundle-id</i>   <i>bpgrp-id</i>   <i>lag-id</i>   <i>aps-id</i> ]: <i>qtag1</i> |
| qinq          |            | [ <i>port-id</i>   <i>bundle-id</i>   <i>bpgrp-id</i>   <i>lag-id</i> ]: <i>qtag1.qtag2</i>           |
| atm           |            | [ <i>port-id</i>   <i>aps-id</i> ]: <i>vpi/vci</i>   <i>vpi</i>   <i>vpi1.vpi2</i>                    |
| frame         |            | [ <i>port-id</i>   <i>aps-id</i> ]: <i>dlci</i>                                                       |
| cisco-hdlc    |            | <i>slot/mda/port.channel</i>                                                                          |
| cem           |            | <i>slot/mda/port.channel</i>                                                                          |
| ima-grp       |            | [ <i>bundle-id</i> ]: <i>vpi/vci</i>   <i>vpi</i>   <i>vpi1.vpi2</i>                                  |
| port-id       |            | <i>slot/mda/port[.channel]</i>                                                                        |
| bundle-id     |            | <i>bundle-type-slot/mda.bundle-num</i>                                                                |
|               | bundle     | keyword                                                                                               |
|               | type       | ima, fr, ppp                                                                                          |
|               | bundle-num | 1 to 336                                                                                              |
| bpgrp-id      |            | <i>bpgrp-type-bpgrp-num</i>                                                                           |
|               | bpgrp      | keyword                                                                                               |
|               | type       | ima, ppp                                                                                              |
|               | bpgrp-num  | 1 to 2000                                                                                             |
| aps-id        |            | <i>aps-group-id[.channel]</i>                                                                         |
|               | aps        | keyword                                                                                               |
|               | group-id   | 1 to 64                                                                                               |
| ccag-id       |            | <i>ccag-id.path-id[cc-type]:cc-id</i>                                                                 |
|               | ccag       | keyword                                                                                               |
|               | id         | 1 to 8                                                                                                |
|               | path-id    | a, b                                                                                                  |
|               | cc-type    | .sap-net, .net-sap                                                                                    |
|               | cc-id      | 0 to 4094                                                                                             |
| lag-id        |            | <i>lag-id</i>                                                                                         |
|               | lag        | keyword                                                                                               |
|               | id         | 1 to 800                                                                                              |
| qtag1         |            | 0 to 4094                                                                                             |
| qtag2         |            | *, 0 to 4094                                                                                          |
| vpi           |            | NNI: 0 to 4095<br>UNI: 0 to 255                                                                       |
| vci           |            | 1, 2, 5 to 65535                                                                                      |
| dlci          |            | 16 to 1022                                                                                            |
| ipsec-id      |            | <i>ipsec-id.[private   public]:tag</i>                                                                |
|               | ipsec      | keyword                                                                                               |
|               | id         | 1 to 4                                                                                                |
|               | tag        | 0 to 4094                                                                                             |

**Values** The following values apply to the 7450 ESS:

|                 |                 |                                                        |
|-----------------|-----------------|--------------------------------------------------------|
| <i>sap-id</i> : | null            | [ <i>port-id</i>   <i>lag-id</i> ]                     |
|                 | dot1q           | [ <i>port-id</i>   <i>lag-id</i> ]: <i>qtag1</i>       |
|                 | qinq            | [ <i>port-id</i>   <i>lag-id</i> ]: <i>qtag1.qtag2</i> |
|                 | frame           | [ <i>port-id</i> ]: <i>dldci</i>                       |
|                 | port-id         | slot/mda/port[.channel]                                |
|                 | aps-id          | aps-group-id[.channel]                                 |
|                 | aps             | keyword                                                |
|                 | <i>group-id</i> | 1 to 64                                                |
|                 | ccag-id         | ccag-id.path-id[cc-type]:cc-id                         |
|                 | ccag            | keyword                                                |
|                 | <i>id</i>       | 1 to 8                                                 |
|                 | <i>path-id</i>  | a, b]                                                  |
|                 | <i>cc-type</i>  | .sap-net, .net-sap]                                    |
|                 | <i>cc-id</i>    | 0 to 4094                                              |
|                 | lag-id          | lag-id                                                 |
|                 | lag             | keyword                                                |
|                 | <i>id</i>       | 1 to 800                                               |
|                 | qtag1           | 0. to 4094                                             |
|                 | qtag2           | *, 0 to 4094                                           |
|                 | dldci           | 16 to 1022                                             |

*scheduler-name* — The name of the scheduler.

**Values** Valid names consist of any string up to 32 characters long composed of printable, 7-bit ASCII characters. If the string contains special characters (#, \$, spaces, etc.), the entire string must be enclosed within double quotes.

**ingress** — Display only the policy displayed on the ingress SAP.

**egress** — Display only the policy displayed on the egress SAP.

## QoS Scheduler Policy Command Reference

# Slope QoS Policies

---

## In This Section

This section provides information to configure slope QoS policies using the command line interface.

Topics in this section include:

- [Overview](#)
- [Basic Configurations](#)
- [Default Slope Policy Values](#)
- [Deleting QoS Policies](#)

## Overview

Default buffer pools exist (logically) at the port, FP or MDA and node levels. Each physical port has three associated pool objects:

- Access ingress pool
- Access egress pool
- Network egress pool

Each MDA on FP1 hardware has four associated pool objects:

- Access egress pool
- Access ingress pool
- Acc-Ing MC Path Mgmt
- Network egress pool

Each FP on FP2 or higher based hardware has five associated pool objects:

- Access egress pool
- Access ingress pool

## Overview

- Acc-Ing MC Path Mgmt
- Network ingress pool
- Network egress pool

By default, each pool is associated with slope-policy default which has the slopes within the pool shutdown.

Slope policies are also applied when WRED is applied per queue and to the associated megapools, see [WRED Per Queue](#).

## Basic Configurations

A basic slope QoS policy must conform to the following:

- Each slope policy must have a unique policy ID.
- High slope, low slope, and exceed slope are shut down (default).
- Default values can be modified but parameters cannot be deleted.

## Create a Slope QoS Policy

Configuring and applying slope policies is optional. If no slope policy is explicitly applied to a pool, a default slope policy is applied.

To create a new slope policy, define the following:

- A slope policy ID value. The system will not dynamically assign a value.
- Include a description. The description provides a brief overview of policy features.
- The high slope for the high Random Early Detection (RED) slope graph.
- The low slope for the low Random Early Detection (RED) slope graph.
- The exceed slope for the exceed Random Early Detection (RED) slope graph.
- The time average factor (TAF), a weighting exponent used to determine the portion of the shared buffer instantaneous utilization and shared buffer average utilization used to calculate the new shared buffer average utilization.

Use the following CLI syntax to configure a slope policy:

```
CLI Syntax: config>qos#
 slope-policy name
 description description-string
 high-slope
```

```

 start-avg percent
 max-avg percent
 max-prob percent
 no shutdown
 low-slope
 start-avg percent
 max-avg percent
 max-prob percent
 no shutdown
 exceed-slope
 start-avg percent
 max-avg percent
 max-prob percent
 no shutdown
 time-average-factor taf

```

The following displays the slope policy configuration:

```

A:ALA-7>config>qos# info
#-----
echo "QoS Slope/Queue Policies Configuration"
#-----
...
 slope-policy "slopePolicy1" create
 description "Test"
 high-slope
 no shutdown
 exit
 low-slope
 no shutdown
 exit
 exceed-slope
 no shutdown
 exit
 exit
...
#-----
A:ALA-7>config>qos#

```

## Applying Slope Policies

Apply slope policies to the following entities:

- [Ports](#)
- [MDA \(FP1\)](#)
- [FP \(FP2 and higher based hardware\)](#)

### Ports

The following CLI syntax examples may be used to apply slope policies to port pools:

**CLI Syntax:** `config>port>access>ingress>pool>slope-policy name`  
`config>port>access>egress>pool>slope-policy name`  
`config>port>network>egress>pool>slope-policy name`

### MDA (FP1)

The following CLI syntax examples may be used to apply slope policies to MDA pools:

**CLI Syntax:** `config>card>mda>access>ingress>pool>slope-policy name`  
`config>card>mda>access>egress>pool>slope-policy name`  
`config>card>mda>network>egress>pool>slope-policy name`

For the MC Path Mgmt, the slope policy is configured within a multicast management bandwidth policy which is then applied under the MDA ingress multicast-path-management.

**CLI Syntax:** `config>mcast-mgmt>bw-plcy> mcast-pool percent-of-total`  
`<percent-of-buffers> resv-cbs <percent-of-pool> slope-`  
`policy <policy-name>`  
`config>card>mda>ingress>mcast-mgmt# bandwidth-policy`  
`<policy-name>`

The following CLI syntax example configures the PPP multilink pool:

**CLI Syntax:** `config>card>mda>access>egress>pool>slope-policy name`

### FP (FP2 and higher based hardware)

The following CLI syntax examples may be used to apply slope policies to FP pools:

**CLI Syntax:** `config>card>mda>access>ingress>pool>slope-policy name`  
`config>card>mda>access>egress>pool>slope-policy name`  
`config>card>mda>network>ingress>pool>slope-policy name`  
`config>card>mda>network>egress>pool>slope-policy name`

Although these commands are applied under the MDA CLI tree, the policy is applied to the FP. If different policies are applied to each MDA, the last policy applied take precedence.

For the MC Path Mgmt, the slope policy is configured within a multicast management bandwidth policy which is then applied under the FP ingress multicast-path-management.



**CLI Syntax:** `config>mcast-mgmt>bw-plcy> mcast-pool percent-of-total <percent-of-buffers> resv-cbs <percent-of-pool> slope-policy <policy-name>`

## Default Slope Policy Values

The default access ingress and egress policies are identified as policy-id 1. The default policies cannot be edited or deleted. The following displays default policy parameters:

**Table 41: Slope Policy Defaults**

| Field               | Default                |
|---------------------|------------------------|
| description         | “Default slope policy” |
| high-slope          |                        |
| shutdown            | shutdown               |
| start-avg           | 70                     |
| max-avg             | 90                     |
| max-prob            | 80                     |
| low-slope           |                        |
| shutdown            | shutdown               |
| start-avg           | 50                     |
| max-avg             | 75                     |
| max-prob            | 80                     |
| exceed-slope        |                        |
| shutdown            | shutdown               |
| start-avg           | 30                     |
| max-avg             | 55                     |
| max-prob            | 80                     |
| time-average-factor | 7                      |

The following output displays the default configuration:

## Overview

```
A:ALA-7>config>qos>slope-policy# info detail

description "Default slope policy."
high-slope
 shutdown
 start-avg 70
 max-avg 90
 max-prob 80
exit
low-slope
 shutdown
 start-avg 50
 max-avg 75
 max-prob 80
exit
exceed-slope
 shutdown
 start-avg 30
 max-avg 55
 max-prob 80
exit
time-average-factor 7

A:ALA-7>config>qos>slope-policy#
```

## Deleting QoS Policies

A slope policy is associated by default with XMASs and MDAs and port access and network egress pools. A default policy may be replaced with a non-default policy, but a policy cannot be entirely removed from the configuration. When a non-default policy is removed, the policy association reverts to the default slope **policy *policy-id* default**. A QoS policy cannot be deleted until it is removed from all of the places where it is applied.

```
A:ALA-7>config>qos# no slope-policy slopePolicy1
MINOR: QOS #1902 Slope policy has references
A:ALA-7>config>qos#
```

## Ports

The following CLI syntax examples can be used to remove slope policies from port pools:

```
CLI Syntax: config>port>access>ingress>pool# no slope-policy name
 config>port>access>egress>pool# no slope-policy name
 config>port>network>egress>pool# no slope-policy name
```

## MDA (FP1)

The following CLI syntax examples can be used to remove slope policies from MDAs:

**CLI Syntax:**

```
config>card>mda>access>ingress>pool# no slope-policy
name
config>card>mda>access>egress>pool# no slope-policy name
config>card>mda>network>egress>pool# no slope-policy
name
```

For the MC Path Mgmt, the mcast-pool can be removed from the bandwidth policy or the bandwidth-policy can be removed from under the MDA ingress multicast-path-management.

**CLI Syntax:**

```
config>mcast-mgmt>bw-plcy# no mcast-pool
config>card>mda>ingress>mcast-mgmt# no bandwidth-policy
```

The following CLI syntax example configures the PPP multilink pool:

**CLI Syntax:**

```
config>card>mda>access>egress>pool# no slope-policy name
```

## FP (FP2 and higher based hardware)

The following CLI syntax examples can be used to remove slope policies from FP pools:

**CLI Syntax:**

```
config>card>mda>access>ingress>pool# no slope-policy
name
config>card>mda>access>egress>pool# no slope-policy name
config>card>mda>network>ingress>pool# no slope-policy
name
config>card>mda>network>egress>pool# no slope-policy
name
```

Although some commands are applied under the MDA CLI tree, the policy is applied to the FP. If different policies are applied to each MDA, the last policy applied take precedence.

For the MC Path Mgmt, the mcast-pool can be removed from the bandwidth policy or the bandwidth-policy can be removed from under the FP ingress multicast-path-management.

**CLI Syntax:**

```
config>mcast-mgmt>bw-plcy# no mcast-pool
config>card>fp>ingress>mcast-mgmt# no bandwidth-policy
```

## Remove a Policy from the QoS Configuration

To delete a slope policy, enter the following command:

**CLI Syntax:** `config>qos# no slope-policy policy-id`

**Example:** `config>qos# no slope-policy slopePolicy1`

## Copying and Overwriting QoS Policies

You can copy an existing slope policy, rename it with a new policy ID value, or overwrite an existing policy ID. The overwrite option must be specified or an error occurs if the destination policy ID exists.

**CLI Syntax:** `config>qos> copy {slope-policy} source-policy-id dest-policy-id [overwrite]`

The following output displays the copied policies:

```
A:ALA-7>config>qos# info

...
 slope-policy "default" create
 description "Default slope policy."
 high-slope
 shutdown
 start-avg 70
 max-avg 90
 max-prob 80
 exit
 low-slope
 shutdown
 start-avg 50
 max-avg 75
 max-prob 80
 exit
 exceed-slope
 shutdown
 start-avg 30
 max-avg 55
 max-prob 80
 exit
 time-average-factor 7
 exit
 slope-policy "slopePolicy1" create
 description "Default slope policy."
 high-slope
 shutdown
 start-avg 70
 max-avg 90
```

```

 max-prob 80
 exit
 low-slope
 shutdown
 start-avg 50
 max-avg 75
 max-prob 80
 exit
 exceed-slope
 shutdown
 start-avg 30
 max-avg 55
 max-prob 80
 exit
time-average-factor 7
 exit
 slope-policy "slopePolicy2" create
 description "Default slope policy."
 high-slope
 shutdown
 start-avg 70
 max-avg 90
 max-prob 80
 exit
 low-slope
 shutdown
 start-avg 50
 max-avg 75
 max-prob 80
 exit
 exceed-slope
 shutdown
 start-avg 30
 max-avg 55
 max-prob 80
 exit
 time-average-factor 7
 exit
#-----
A:ALA-7>config>qos#

```

## Editing QoS Policies

You can change existing policies and entries in the CLI or NMS. The changes are applied immediately to all services where this policy is applied. To prevent configuration errors copy the policy to a work area, make the edits, and then write over the original policy.

## Overview

# Slope QoS Policy Command Reference

## Command Hierarchies

### Configuration Commands

```

config
 — qos
 — [no] slope-policy name
 — description description-string
 — no description
 — [no] exceed-slope
 — max-avg percent
 — no max-avg
 — max-prob percent
 — no max-prob
 — start-avg percent
 — no start-avg
 — [no] shutdown
 — [no] high-slope
 — max-avg percent
 — no max-avg
 — max-prob percent
 — no max-prob
 — start-avg percent
 — no start-avg
 — [no] shutdown
 — [no] low-slope
 — max-avg percent
 — no max-avg
 — max-prob percent
 — no max-prob
 — start-avg percent
 — no start-avg
 — [no] shutdown
 — time-average-factor value
 — no time-average-factor

```

### Operational Commands

```

config
 — qos
 — copy slope-policy src-name dst-name [overwrite]

```

## Show Commands

```
show
 — qos
 — slope-policy [slope-policy-name] [detail]
```

## Command Descriptions

### Configuration Commands

#### Generic Commands

#### description

|                    |                                                                                                                                                                                                                                                                                                                                                             |
|--------------------|-------------------------------------------------------------------------------------------------------------------------------------------------------------------------------------------------------------------------------------------------------------------------------------------------------------------------------------------------------------|
| <b>Syntax</b>      | <b>description</b> <i>description-string</i><br><b>no description</b>                                                                                                                                                                                                                                                                                       |
| <b>Context</b>     | config>qos>slope-policy                                                                                                                                                                                                                                                                                                                                     |
| <b>Description</b> | <p>This command creates a text description stored in the configuration file for a configuration context.</p> <p>The <b>description</b> command associates a text string with a configuration context to help identify the context in the configuration file.</p> <p>The <b>no</b> form of this command removes any description string from the context.</p> |
| <b>Default</b>     | No description is associated with the configuration context.                                                                                                                                                                                                                                                                                                |
| <b>Parameters</b>  | <i>description-string</i> — A text string describing the entity. Allowed values are any string up to 80 characters long composed of printable, 7-bit ASCII characters. If the string contains special characters (#, \$, spaces, etc.), the entire string must be enclosed within double quotes.                                                            |

### Operational Commands

#### copy

**Syntax**    **copy slope-policy** *src-name* *dst-name* [**overwrite**]



|                    |                                                                                                                                                                                                                                                                                                                                                                                                                                                                                                                                                                                                                                                                                                                                                     |
|--------------------|-----------------------------------------------------------------------------------------------------------------------------------------------------------------------------------------------------------------------------------------------------------------------------------------------------------------------------------------------------------------------------------------------------------------------------------------------------------------------------------------------------------------------------------------------------------------------------------------------------------------------------------------------------------------------------------------------------------------------------------------------------|
| <b>Context</b>     | config>qos                                                                                                                                                                                                                                                                                                                                                                                                                                                                                                                                                                                                                                                                                                                                          |
| <b>Description</b> | This command copies existing QoS policy entries for a QoS policy-id to another QoS policy-id.<br><br>The <b>copy</b> command is a configuration level maintenance tool used to create new policies using existing policies. It also allows bulk modifications to an existing policy with the use of the <b>overwrite</b> keyword.                                                                                                                                                                                                                                                                                                                                                                                                                   |
| <b>Parameters</b>  | <p><b>slope-policy</b> — Indicates that the source policy ID and the destination policy ID are slope policy IDs. Specify the source policy ID that the copy command will attempt to copy from and specify the destination policy ID to which the command will copy a duplicate of the policy.</p> <p><b>overwrite</b> — Specifies to replace the existing destination policy. Everything in the existing destination policy will be overwritten with the contents of the source policy. If <b>overwrite</b> is not specified, an error will occur if the destination policy ID exists.</p> <pre>ALA-7&gt;config&gt;qos# copy slope-policy default sp1 MINOR: CLI Destination "sp1" exists - use {overwrite}. ALA-7&gt;config&gt;qos#overwrite</pre> |

## Slope Policy QoS Commands

### slope-policy

|                    |                                                                                                                                                                                                                                                                                                             |
|--------------------|-------------------------------------------------------------------------------------------------------------------------------------------------------------------------------------------------------------------------------------------------------------------------------------------------------------|
| <b>Syntax</b>      | [no] <b>slope-policy</b> <i>name</i>                                                                                                                                                                                                                                                                        |
| <b>Context</b>     | config>qos                                                                                                                                                                                                                                                                                                  |
| <b>Description</b> | This command enables the context to configure a QoS slope policy.                                                                                                                                                                                                                                           |
| <b>Default</b>     | slope-policy “default”                                                                                                                                                                                                                                                                                      |
| <b>Parameters</b>  | <p><i>name</i> — The name of the slope policy.</p> <p><b>Values</b> Valid names consist of any string up to 32 characters long composed of printable, 7-bit ASCII characters. If the string contains special characters (#, \$, spaces, etc.), the entire string must be enclosed within double quotes.</p> |

### time-average-factor

|                |                                                                          |
|----------------|--------------------------------------------------------------------------|
| <b>Syntax</b>  | <b>time-average-factor</b> <i>value</i><br><b>no time-average-factor</b> |
| <b>Context</b> | config>qos>slope-policy                                                  |

## Slope QoS Policy Command Reference

|                    |                                                                                                                                                                                                                                                                                                                                                                                                                                                                                                                                                                                                                                                                                                                                                                                                                                              |
|--------------------|----------------------------------------------------------------------------------------------------------------------------------------------------------------------------------------------------------------------------------------------------------------------------------------------------------------------------------------------------------------------------------------------------------------------------------------------------------------------------------------------------------------------------------------------------------------------------------------------------------------------------------------------------------------------------------------------------------------------------------------------------------------------------------------------------------------------------------------------|
| <b>Description</b> | <p>This command sets a weighting factor to calculate the new shared buffer average utilization after assigning buffers for a packet entering a queue. To derive the new shared buffer average utilization, the buffer pool takes a portion of the previous shared buffer average and adds it to the inverse portion of the instantaneous shared buffer utilization.</p> <p>The <b>time-average-factor</b> command sets the weighting factor between the old shared buffer average utilization and the current shared buffer instantaneous utilization when calculating the new shared buffer average utilization</p> <p>The TAF value applies to all high and low priority RED slopes for ingress and egress access buffer pools controlled by the slope policy.</p> <p>The <b>no</b> form of this command restores the default setting.</p> |
| <b>Default</b>     | 7 - Weighting instantaneous shared buffer utilization is 0.8%.                                                                                                                                                                                                                                                                                                                                                                                                                                                                                                                                                                                                                                                                                                                                                                               |
| <b>Parameters</b>  | <p><i>value</i> — Represents the Time Average Factor (TAF), expressed as a decimal integer. The value specified for TAF affects the speed at which the shared buffer average utilization tracks the instantaneous shared buffer utilization. A low value weights the new shared buffer average utilization calculation more to the shared buffer instantaneous utilization, zero using it exclusively. A high value weights the new shared buffer average utilization calculation more to the previous shared buffer average utilization value.</p> <p><b>Values</b>     0 to 15</p>                                                                                                                                                                                                                                                         |

## Slope Policy QoS Policy Commands

### exceed-slope

|                    |                                                                                                                                                                                                                                                                                                                                                                                                                                                                                                                                                                                                                                                                                                                                                                             |
|--------------------|-----------------------------------------------------------------------------------------------------------------------------------------------------------------------------------------------------------------------------------------------------------------------------------------------------------------------------------------------------------------------------------------------------------------------------------------------------------------------------------------------------------------------------------------------------------------------------------------------------------------------------------------------------------------------------------------------------------------------------------------------------------------------------|
| <b>Syntax</b>      | <b>[no] exceed-slope</b>                                                                                                                                                                                                                                                                                                                                                                                                                                                                                                                                                                                                                                                                                                                                                    |
| <b>Context</b>     | config>qos>slope-policy                                                                                                                                                                                                                                                                                                                                                                                                                                                                                                                                                                                                                                                                                                                                                     |
| <b>Description</b> | <p>The <b>exceed-slope</b> context contains the commands and parameters for defining the exceed Random Early Detection (RED) slope graph. Each egress buffer pool supports an exceed RED slope for managing access to the shared portion of the buffer pool for exceed-profile packets.</p> <p>The <b>exceed-slope</b> parameters can be changed at any time and the affected buffer pool exceed RED slopes are adjusted appropriately.</p> <p>The <b>no</b> form of this command restores the exceed slope configuration commands to the default values. If the leaf commands within <b>exceed-slope</b> are set to the default parameters, the <b>exceed-slope</b> node will not appear in save config and show config output unless the detail parameter is present.</p> |

## high-slope

|                    |                                                                                                                                                                                                                                                                                                                                                                                                                                                                                                                                                                                                                                                                                                                                                |
|--------------------|------------------------------------------------------------------------------------------------------------------------------------------------------------------------------------------------------------------------------------------------------------------------------------------------------------------------------------------------------------------------------------------------------------------------------------------------------------------------------------------------------------------------------------------------------------------------------------------------------------------------------------------------------------------------------------------------------------------------------------------------|
| <b>Syntax</b>      | <b>[no] high-slope</b>                                                                                                                                                                                                                                                                                                                                                                                                                                                                                                                                                                                                                                                                                                                         |
| <b>Context</b>     | config>qos>slope-policy                                                                                                                                                                                                                                                                                                                                                                                                                                                                                                                                                                                                                                                                                                                        |
| <b>Description</b> | <p>The <b>high-slope</b> context contains the commands and parameters for defining the high Random Early Detection (RED) slope graph. Each buffer pool supports a high RED slope for managing access to the shared portion of the buffer pool for in-profile packets.</p> <p>The <b>high-slope</b> parameters can be changed at any time and the affected buffer pool high RED slopes will be adjusted appropriately.</p> <p>The <b>no</b> form of this command restores the high slope configuration commands to the default values. If the commands within <b>high-slope</b> are set to the default parameters, the <b>high-slope</b> node will not appear in save config and show config output unless the detail parameter is present.</p> |

## low-slope

|                    |                                                                                                                                                                                                                                                                                                                                                                                                                                                                                                                                                                                                                                                                                                                                                     |
|--------------------|-----------------------------------------------------------------------------------------------------------------------------------------------------------------------------------------------------------------------------------------------------------------------------------------------------------------------------------------------------------------------------------------------------------------------------------------------------------------------------------------------------------------------------------------------------------------------------------------------------------------------------------------------------------------------------------------------------------------------------------------------------|
| <b>Syntax</b>      | <b>[no] low-slope</b>                                                                                                                                                                                                                                                                                                                                                                                                                                                                                                                                                                                                                                                                                                                               |
| <b>Context</b>     | config>qos>slope-policy                                                                                                                                                                                                                                                                                                                                                                                                                                                                                                                                                                                                                                                                                                                             |
| <b>Description</b> | <p>The <b>low-slope</b> context contains the commands and parameters for defining the low Random Early Detection (RED) slope graph. Each buffer pool supports a low RED slope for managing access to the shared portion of the buffer pool for low out-of-profile packets.</p> <p>The <b>low-slope</b> parameters can be changed at any time and the affected buffer pool low RED slopes must be adjusted appropriately.</p> <p>The <b>no</b> form of this command restores the low slope configuration commands to the default values. If the leaf commands within <b>low-slope</b> are set to the default parameters, the <b>low-slope</b> node will not appear in save config and show config output unless the detail parameter is present.</p> |

**RED Slope Commands**

## max-avg

|                |                                                                                                                 |
|----------------|-----------------------------------------------------------------------------------------------------------------|
| <b>Syntax</b>  | <b>max-avg</b> <i>percent</i><br><b>no max-avg</b>                                                              |
| <b>Context</b> | config>qos>slope-policy>exceed-slope<br>config>qos>slope-policy>high-slope<br>config>qos>slope-policy>low-slope |

## Slope QoS Policy Command Reference

|                    |                                                                                                                                                                                                                                                                                                                                                                                                                                                                                                                             |
|--------------------|-----------------------------------------------------------------------------------------------------------------------------------------------------------------------------------------------------------------------------------------------------------------------------------------------------------------------------------------------------------------------------------------------------------------------------------------------------------------------------------------------------------------------------|
| <b>Description</b> | <p>Sets the exceed, low, or high Random Early Detection (RED) slope position for the shared buffer average utilization value where the packet discard probability rises directly to one. The percent parameter is expressed as a percentage of the shared buffer size.</p> <p>The <b>no</b> form of this command restores the max-avg value to the default setting. If the current <b>start-avg</b> setting is larger than the default, an error will occur and the max-avg setting will not be changed to the default.</p> |
| <b>Default</b>     | <p><b>max-avg 90</b> — High slope default is 90% buffer utilization before discard probability is 1.</p> <p><b>max-avg 75</b> — Low slope default is 75% buffer utilization before discard probability is 1.</p> <p><b>max-avg 55</b> — Exceed slope default is 55% buffer utilization before discard probability is 1.</p>                                                                                                                                                                                                 |
| <b>Parameters</b>  | <p><i>percent</i> — The percentage of the shared buffer space for the buffer pool at which point the drop probability becomes 1. The value entered must be greater or equal to the current setting of <b>start-avg</b>. If the entered value is smaller than the current value of <b>start-avg</b>, an error will occur and no change will take place.</p> <p><b>Values</b> 0 to 100</p>                                                                                                                                    |

## max-prob

|                    |                                                                                                                                                                                                                                                                                                                                                                                                                                                                                                                                     |
|--------------------|-------------------------------------------------------------------------------------------------------------------------------------------------------------------------------------------------------------------------------------------------------------------------------------------------------------------------------------------------------------------------------------------------------------------------------------------------------------------------------------------------------------------------------------|
| <b>Syntax</b>      | <b>max-prob</b> <i>percent</i><br><b>no max-prob</b>                                                                                                                                                                                                                                                                                                                                                                                                                                                                                |
| <b>Context</b>     | config>qos>slope-policy>exceed-slope<br>config>qos>slope-policy>high-slope<br>config>qos>slope-policy>low-slope                                                                                                                                                                                                                                                                                                                                                                                                                     |
| <b>Description</b> | <p>Sets the exceed, low, or high Random Early Detection (RED) slope position for the maximum non-one packet discard probability value before the packet discard probability rises directly to one. The percent parameter is expressed as a percentage of packet discard probability where always discard is a probability of 1. A <b>max-prob</b> value of 80 represents 80% of 1, or a packet discard probability of 0.8.</p> <p>The <b>no</b> form of this command restores the <b>max-prob</b> value to the default setting.</p> |
| <b>Default</b>     | <b>max-prob 80</b> to 80% maximum drop probability corresponding to the <b>max-avg</b> .                                                                                                                                                                                                                                                                                                                                                                                                                                            |
| <b>Parameters</b>  | <p><i>percent</i> — The maximum drop probability percentage corresponding to the <b>max-avg</b>, expressed as a decimal integer.</p> <p><b>Values</b> 0 to 100</p>                                                                                                                                                                                                                                                                                                                                                                  |

## shutdown

|                |                                      |
|----------------|--------------------------------------|
| <b>Syntax</b>  | <b>[no] shutdown</b>                 |
| <b>Context</b> | config>qos>slope-policy>exceed-slope |

```
config>qos>slope-policy>high-slope
config>qos>slope-policy>low-slope
```

**Description** This command enables or disables the administrative status of the Random Early Detection slope.

By default, all slopes are shutdown and have to be explicitly enabled (**no shutdown**).

The **no** form of this command administratively enables the RED slope.

**Default** **shutdown** - RED slope disabled implying a zero (0) drop probability

## start-avg

**Syntax** **start-avg** *percent*  
**no start-avg**

**Context** config>qos>slope-policy>exceed-slope  
config>qos>slope-policy>high-slope  
config>qos>slope-policy>low-slope

**Description** This command sets the exceed, low, or high Random Early Detection (RED) slope position for the shared buffer average utilization value where the packet discard probability starts to increase above zero. The percent parameter is expressed as a percentage of the shared buffer size.

The **no** form of this command restores the start-avg value to the default setting. If the max-avg setting is smaller than the default, an error will occur and the start-avg setting will not be changed to the default.

**Default** **start-avg 70** — High slope default is 70% buffer utilization before discard probability starts to increase above zero.

**start-avg 50** — Low slope default is 50% buffer utilization before discard probability starts to increase above zero.

**start-avg 30** — Exceed slope default is 30% buffer utilization before discard probability starts to increase above zero

**Parameters** *percent* — The percentage of the shared buffer space for the buffer pool at which point the drop probability starts to increase above zero. The value entered must be less than or equal to the current setting of **max-avg**. If the entered value is greater than the current value of **max-avg**, an error will occur and no change will take place.

**Values** 0 to 100

## Show Commands

### slope-policy

**Syntax** `slope-policy [slope-policy-name] [detail]`

**Context** show>qos

**Description** This command displays slope policy information.

**Parameters** *slope-policy-name* — The name of the slope policy.  
**detail** — Displays detailed information about the slope policy.

**Output** **Slope QoS Policy Output Fields**

The following table describes slope QoS policy output fields.

**Table 42: Show QoS Slope Policy Output Fields**

| Label            | Description                                                                                                                                            |
|------------------|--------------------------------------------------------------------------------------------------------------------------------------------------------|
| Policy           | The ID that uniquely identifies the policy.                                                                                                            |
| Description      | A string that identifies the policy's context in the configuration file.                                                                               |
| Time Avg         | The weighting between the previous shared buffer average utilization result and the new shared buffer utilization.                                     |
| Slope Parameters |                                                                                                                                                        |
| Start Avg        | Specifies the RED slope position for the shared buffer average utilization value where the packet discard probability starts to increase above zero.   |
| Max Avg          | Specifies the percentage of the shared buffer space for the buffer pool at which point the drop probability becomes 1, expressed as a decimal integer  |
| Admin State      | Enabled<br>The administrative status of the RED slope is enabled.<br>Disabled<br>The administrative status of the RED slope is disabled.               |
| Max Prob.        | Specifies the RED slope position for the maximum non-one packet discard probability value before the packet discard probability rises directly to one. |

### Sample Output

```

A:C# show qos slope-policy "2"
=====
QoS Slope Policy
=====
Policy : 2
Time Avg : 7

High Slope Parameters

Start Avg : 70 Admin State : Enabled
Max Avg : 90 Max Prob. : 100

Low Slope Parameters

Start Avg : 30 Admin State : Enabled
Max Avg : 40 Max Prob. : 100

Exceed Slope Parameters

Start Avg : 10 Admin State : Disabled
Max Avg : 25 Max Prob. : 100
=====

A:C# show qos slope-policy 2 detail
=====
QoS Slope Policy
=====
Policy : 2
Time Avg : 7

High Slope Parameters

Start Avg : 70 Admin State : Enabled
Max Avg : 90 Max Prob. : 100

Low Slope Parameters

Start Avg : 30 Admin State : Enabled
Max Avg : 40 Max Prob. : 100

Exceed Slope Parameters

Start Avg : 10 Admin State : Disabled
Max Avg : 25 Max Prob. : 100

Associations

Object Type Object Id Application Pool

Port 1/1/1 Acc-Egr default

Named-Pool Associations

Policy-Name Pool-Name

No Matching Entries

```





# Shared-Queue QoS Policies

---

## In This Section

This section provides information to configure shared-queue QoS policies using the command line interface.

Topics in this section include:

- [Overview](#)
- [Basic Configurations](#)
- [Default Shared Queue Policy Values](#)

## Overview

Shared-queue QoS policies can be implemented to facilitate queue consumption on the router. It is especially useful when VPLS, IES, and VPRN services are scaled to very high numbers. Instead of allocating multiple hardware queues for each unicast queue defined in a SAP ingress QoS policy, SAPs with the shared-queuing feature enabled only allocate one hardware queue for each SAP ingress QoS policy unicast queue.

However, as a trade-off, the total amount of traffic throughput at the ingress of the node is reduced because any ingress packet serviced by a shared-queuing SAP is recirculated for further processing. This can reduce the bandwidth by half. Shared-queuing can add latency. Network planners should consider these restrictions while trying to scale services on the router.

## Multipoint Shared Queuing

Multipoint shared queuing is supported to minimize the number of multipoint queues created for ingress VPLS, IES or VPRN SAPs or ingress subscriber SLA profiles. Normally, ingress multipoint packets are handled by multipoint queues created for each SAP or subscriber SLA profile instance. In some instances, the number of SAPs or SLA profile instances are sufficient for the in use multipoint queues to represent many thousands of queues on an ingress forwarding plane. If multipoint shared queuing is enabled for the SAPs or SLA profile instances on the forwarding plane, the multipoint queues are not created. Instead, the ingress multipoint packets are handled by the unicast queue mapped to the forwarding class of the multipoint packet.

Functionally, multipoint shared queuing is a superset of shared queuing. With shared queuing on a SAP or SLA profile instance, only unicast packets are processed twice, once for the initial service level queuing and a second time for switch fabric destination queuing. Shared queuing does not affect multipoint packet handling. Multipoint packet handling in normal (service queuing) is the same as shared queuing. When multipoint shared queuing is enabled, shared queuing for unicast packets is automatically enabled.

## Ingress Queuing Modes of Operation

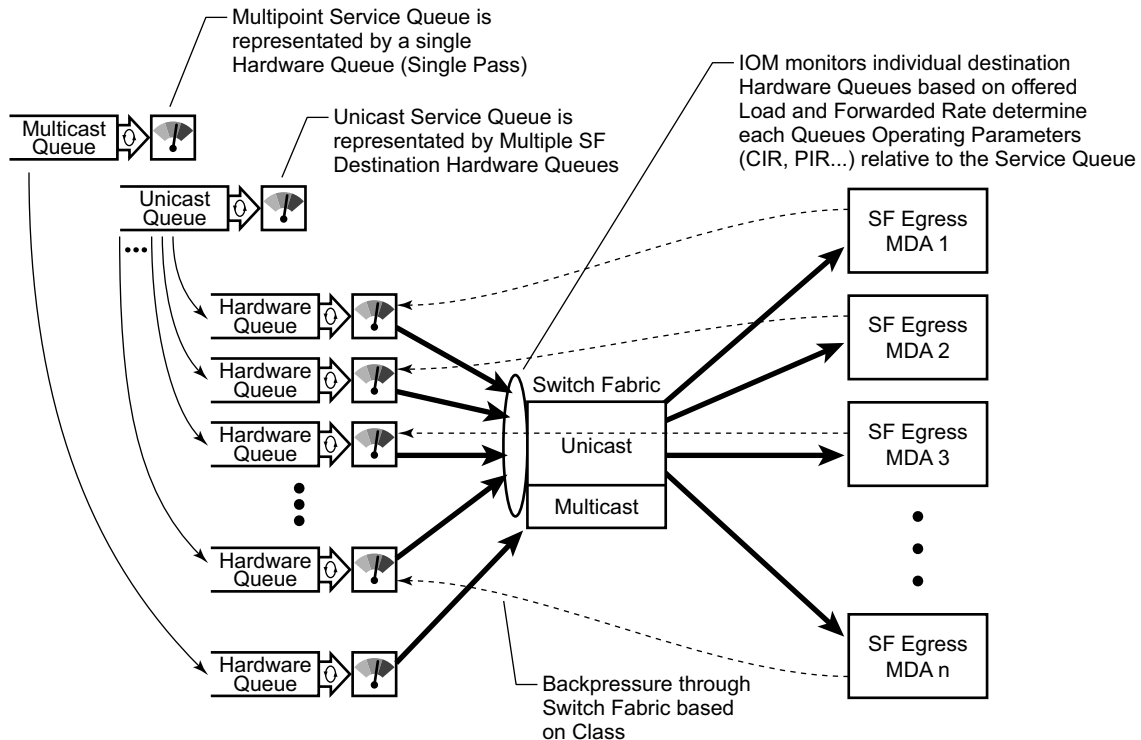
Three modes of ingress SAP queuing are supported for multipoint services (IES, VPLS and VPRN); service, shared, and multipoint shared. The same ingress queuing options are available for IES and VPLS subscriber SLA profile instance queuing.

## Ingress Service Queuing

Normal or service queuing is the default mode of operation for SAP ingress queuing. Service queuing preserves ingress forwarding bandwidth by allowing a service queue defined in an ingress SAP QoS policy to be represented by a group of hardware queues. A hardware queue is created for each switch fabric destination to which the logical service queue must forward packets. For a VPLS SAP with two ingress unicast service queues, two hardware queues are used for each destination forwarding engine the VPLS SAP is forwarding to. If three switch fabric destinations are involved, six queues are allocated (2 unicast service queues multiplied by 3 destination forwarding complexes equals six hardware queues). [Figure 36](#) demonstrates unicast hardware queue expansion. Service multipoint queues in the ingress SAP QoS policy are not expanded to multiple hardware queues, each service multipoint queue defined on the SAP equates to a single hardware queue to the switch fabric.

When multiple hardware queues represent a single logical service queue, the system automatically monitors the offered load and forwarding rate of each hardware queue. Based on the monitored state of each hardware queue, the system imposes an individual CIR and PIR rate for each queue that provides an overall aggregate CIR and PIR reflective of what is provisioned on the service queue.

**Figure 36: Unicast Service Queue Mapping to Multiple Destination Based Hardware Queues**



Fig\_22

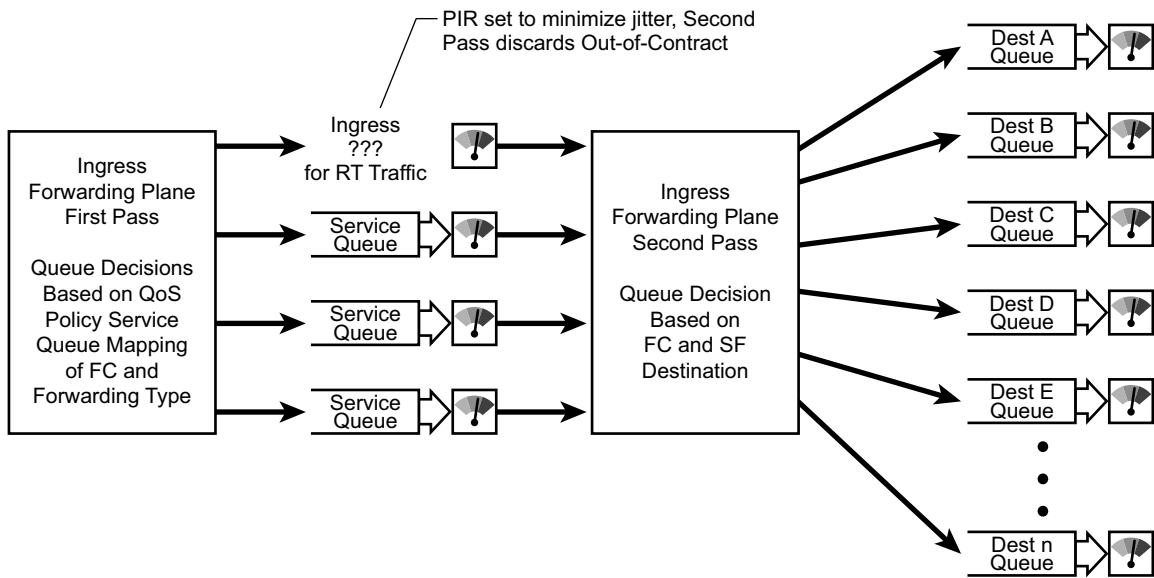
### Ingress Shared Queuing

To avoid the hardware queue expansion issues associated with normal service based queuing, the system allows an ingress logical service queue to map to a single hardware queue when shared queuing is enabled. Shared queuing uses two passes through the ingress forwarding plane to separate ingress per service queuing from the destination switch fabric queuing. In the case of shared queuing, ingress unicast service queues are created one-for-one relative to hardware queues. Each hardware queue representing a service queue is mapped to a special destination in the traffic manager that ‘forwards’ the packet back to the ingress forwarding plane allowing a second pass through the traffic manager. In the second pass, the packet is placed into a ‘shared’ queue for the destination forwarding plane. The shared queues are used by all services configured for shared queuing.

When the first SAP or SLA profile instance is configured for shared queuing on an ingress forwarding plane, the system allocates eight hardware queues per available destination forwarding plane, one queue per forwarding class. Twenty-four hardware queues are also allocated for multipoint shared traffic, but that is discussed in the following section. The shared queue parameters that define the relative operation of the forwarding class queues are derived from the Shared Queue policy defined in the QoS CLI node. Figure 37 demonstrates shared unicast queuing. SAP or SLA profile instance multipoint queuing is not affected by enabling shared queuing. Multipoint queues are still created as defined in the ingress SAP QoS policy and ingress multipoint packets only traverse the ingress forwarding plane a single time.

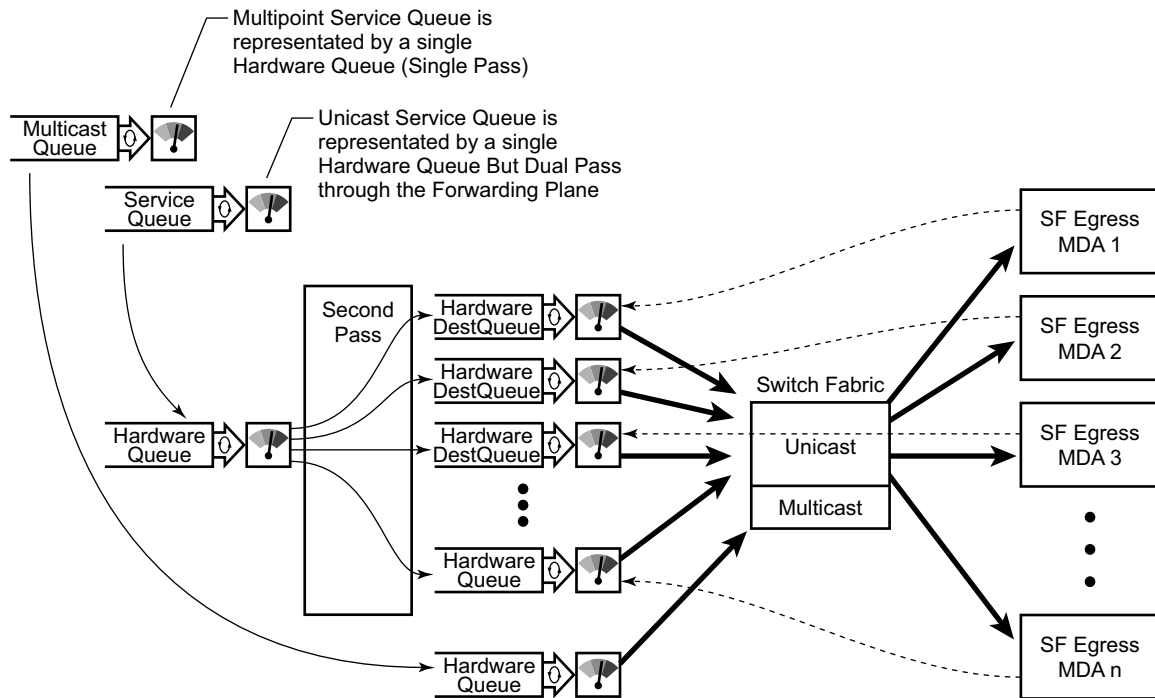
Enabling shared queuing may affect ingress performance due to double packet processing through the service and shared queues.

**Figure 37: Unicast Service Queuing With Shared Queuing Enabled**



Fig\_23

**Figure 38: Multipoint Queue Behavior with Shared Queuing Enabled**



Fig\_24

## Ingress Multipoint Shared Queuing

Ingress multipoint shared queuing is a variation to the unicast shared queuing defined in [Ingress Shared Queuing](#). Ingress unicast service queues are mapped one-for-one with hardware queues and unicast packets traverse the ingress forwarding plane twice. In addition to the above, the multipoint queues defined in the ingress SAP QoS policy are not created. Instead, multipoint packets (broadcast, multicast and unknown unicast destined) are treated to the same dual pass ingress forwarding plane processing as unicast packets. In the first pass, the forwarding plane uses the unicast queue mappings for each forwarding plane. The second pass uses the multipoint shared queues to forward the packet to the switch fabric for special replication to all egress forwarding planes that need to process the packet.

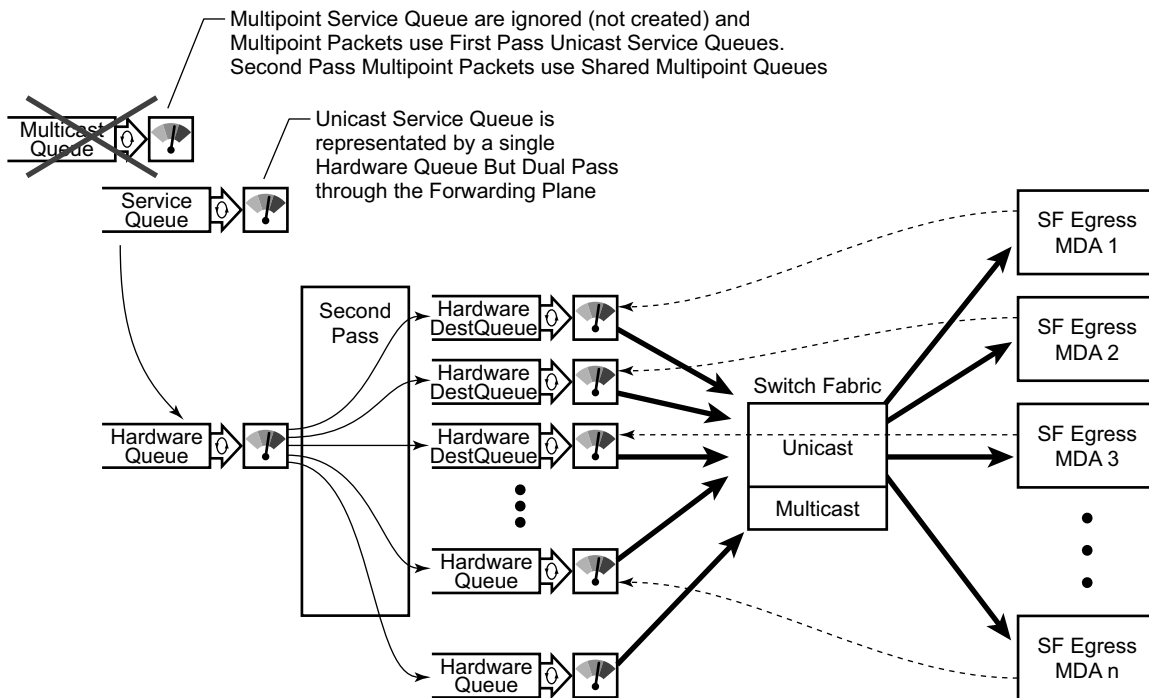
The benefit of defining multipoint shared queuing is the savings of the multipoint queues per service. By using the unicast queues in the first pass and then the aggregate shared queues in the second pass, per service multipoint queues are not required. The predominant scenario where multipoint shared queuing may be required is with subscriber managed QoS environments using a subscriber per SAP model. Usually, ingress multipoint traffic is minimal per subscriber and the extra multipoint queues for each subscriber reduces the

overall subscriber density on the ingress forwarding plane. Multipoint shared queuing eliminates the multipoint queues sparing hardware queues for better subscriber density. [Figure 39](#) demonstrates multipoint shared queuing.

One caveat of enabling multipoint shared queuing is that multipoint packets are no longer managed per service (although the unicast forwarding queues may provide limit benefit in this area). Multipoint packets in a multipoint service (VPLS, IES and VPRN) use significant resources in the system, consuming ingress forwarding plane multicast bandwidth and egress replication bandwidth. Usually, the per service unicast forwarding queues are not rate limited to a degree that allows adequate management of multipoint packets traversing them when multipoint shared queuing is enabled. It is possible to minimize the amount of aggregate multipoint bandwidth by setting restrictions on the multipoint queue parameters in the QoS nodes Shared Queue policy. Aggregate multipoint traffic can be managed per forwarding class for each of the three forwarding types (broadcast, multicast or unknown unicast – broadcast and unknown unicast are only used by VPLS).

Another caveat for multipoint shared queuing is that multipoint traffic now consumes double the ingress forwarding plane bandwidth due to dual pass ingress processing.

**Figure 39: Multipoint Shared Queuing Using First Pass Unicast Queues**



Fig\_25

Multipoint shared queuing cannot be enabled on the following services:

- Epipe

- Apipe (applies to the 7750 SR and 7950 XRS)
- Fpipe (applies to the 7750 SR and 7950 XRS)
- Ipipe
- Routed CO

For information about the tasks and commands necessary to access the command line interface and to configure and maintain your router, refer to CLI Usage chapter in the Basic System Configuration Guide.

## Basic Configurations

The default shared queue QoS policy conforms to the following:

- There is only one default shared queue policy in the system.
- The default shared queue policy has fixed forwarding classes, queues and FC-queue mapping, which cannot be modified, added, or deleted.

The only configurable entities in the default shared queue policy are the queue attributes, queue priority, and the description string. The queue priority for a shared queue can be changed to expedited, best-effort or auto-expedited.

## Modifying the Default Shared-Queue Policy

The only configurable entities in the default shared queue policy are the queue attributes and the description string. The changes are applied immediately to all services where this policy is applied. Use the following CLI syntax to modify a shared-queue policy:

**CLI Syntax:**

```
config>qos#
shared-queue name
description description-string
queue queue-id [queue-type] [multipoint]
 cbs percent
 high-prio-only percent
 mbs percent
 rate percent [cir percent]
```

The following displays a shared-queue policy configuration example:

```
A:ALA-48>config>qos>shared-queue# info

description "test1"
queue 1 create
```

```
 cbs 2
 high-prio-only 20
 exit

A:ALA-48>config>qos>shared-queue#
```

## Applying Shared-Queue Policies

The default shared queue policy is applied at the SAP level just as `sap-ingress` and `sap-egress` QoS policies are specified. If the **shared-queuing** keyword is not specified in the `qos policy-id` command then the SAP is assumed to use single-pass queuing.

Apply shared-queue policies to the following entities:

- [Epipe Services](#)
- [IES Services](#)
- [VPLS Services](#)
- [VPRN Services](#)

## Epipe Services

Use the following CLI syntax to apply QoS policies to ingress Epipe SAPs:

**CLI Syntax:**

```
config>service>epipe service-id [customer customer-id]
sap sap-id
 ingress
 qos policy-id [shared-queuing]
```

The following output displays an Epipe service configuration with SAP ingress policy 100 applied to the SAP with shared-queuing enabled.

```
A:SR>config>service# info

 epipe 6 customer 6 vpn 6 create
description "Distributed Epipe to west coast"
sap 1/1/10:0 create
ingress
qos 100 shared-queuing
exit
exit
no shutdown
 exit

A:SR>config>service#
```



## IES Services

Use the following CLI syntax to apply the default policy to an IES service:

```
CLI Syntax: config>service# ies service-id
 interface interface-name
 sap sap-id
 ingress
 qos policy-id [shared-queuing
 |multipoint-shared]
```

The following output displays an IES service configuration with SAP ingress policy 100 applied to the SAP with shared-queuing enabled.

```
A:SR>config>service# info

 ies 88 customer 8 vpn 88 create
 interface "Sector A" create
 sap 1/1/1.2.2 create
 ingress
 qos 100 multipoint-shared
 exit
 exit
 exit
 no shutdown
 exit

A:SR>config>service#
```

## VPLS Services

Use the following CLI syntax to apply the default shared-queue policy to an ingress VPLS SAP:

```
CLI Syntax: config>service# vpls service-id [customer customer-id]
 sap sap-id
 ingress
 qos policy-id [shared-queuing | multipoint-
 shared]
```

The following output displays a VPLS service configuration with SAP ingress policy 100 with shared-queuing enabled.

```
A:SR>config>service# info

 vpls 700 customer 7 vpn 700 create
 description "test"
 sap 1/1/9:0 create
 ingress
 qos 100 multipoint-shared
 exit
 exit
 no shutdown
 exit

A:SR>config>service#
```

## Overview

```
 exit
 exit
 exit

A:SR>config>service#
```

## VPRN Services

Use the following CLI syntax to apply QoS policies to ingress VPRN SAPs on the 7750 SR and 7950 XRS:

**CLI Syntax:**

```
config>service# vprn service-id [customer customer-id]
interface ip-int-name
 sap sap-id
 ingress
 qos policy-id [shared-queuing |
 multipoint-shared]
```

The following output displays a VPRN service configuration. The default SAP ingress policy was not modified but shared queuing was enabled.

```
A:SR7>config>service# info

vprn 1 customer 1 create
 interface "to-cel" create
 address 11.1.0.1/24
 sap 1/1/10:1 create
 ingress
 qos 1 multipoint-shared
 exit
 exit
 exit
no shutdown
exit

A:SR7>config>service#
```

## Default Shared Queue Policy Values

The only allowed shared queue policy is the default and cannot be deleted. The only configurable entities are the queue priority, attributes of individual queues and the description string. [Table 43](#) lists the default values.

**Table 43: Shared Queue Policy Defaults**

| Field       |                | Default                       |
|-------------|----------------|-------------------------------|
| description |                | “Default Shared Queue Policy” |
| queue 1     |                | auto-expedite                 |
|             | rate           | 100                           |
|             | cir            | 0                             |
|             | mbs            | 50                            |
|             | cbs            | 1                             |
|             | high-prio-only | 10                            |
| queue 2     |                | auto-expedite                 |
|             | rate           | 100                           |
|             | cir            | 25                            |
|             | mbs            | 50                            |
|             | cbs            | 3                             |
|             | high-prio-only | 10                            |
| queue 3     |                | auto-expedite                 |
|             | rate           | 100                           |
|             | cir            | 25                            |
|             | mbs            | 50                            |
|             | cbs            | 10                            |
|             | high-prio-only | 10                            |
| queue 4     |                | auto-expedite                 |
|             | rate           | 100                           |
|             | cir            | 25                            |
|             | mbs            | 25                            |
|             | cbs            | 3                             |
|             | high-prio-only | 10                            |
| queue 5     |                | auto-expedite                 |

**Table 43: Shared Queue Policy Defaults (Continued)**

| Field                                                        |                | Default       |
|--------------------------------------------------------------|----------------|---------------|
| rate                                                         |                | 100           |
| cir                                                          |                | 100           |
|                                                              | mbs            | 50            |
|                                                              | cbs            | 10            |
|                                                              | high-prio-only | 10            |
| queue 6                                                      |                | auto-expedite |
|                                                              | rate           | 100           |
|                                                              | cir            | 100           |
|                                                              | mbs            | 50            |
|                                                              | cbs            | 10            |
|                                                              | high-prio-only | 10            |
| queue 7                                                      |                | auto-expedite |
|                                                              | rate           | 100           |
|                                                              | cir            | 10            |
|                                                              | mbs            | 25            |
|                                                              | cbs            | 3             |
|                                                              | high-prio-only | 10            |
| queue 8                                                      |                | auto-expedite |
|                                                              | rate           | 100           |
|                                                              | cir            | 10            |
|                                                              | mbs            | 25            |
|                                                              | cbs            | 3             |
|                                                              | high-prio-only | 10            |
| The fc-to-shared-queue mappings that cannot be modified are: |                |               |
| fc af                                                        | queue 3        |               |

**Table 43: Shared Queue Policy Defaults (Continued)**

| Field | Default |
|-------|---------|
| fc be | queue 1 |
| fc h1 | queue 6 |
| fc h2 | queue 5 |
| fc l1 | queue 4 |
| fc l2 | queue 2 |
| fc nc | queue 8 |

The following output displays the default configuration:

```
ALA-7>config>qos>shared-queue# info detail

description "Default Shared Queue Policy"
queue 1 auto-expedite create
 rate 100 cir 0
 mbs 50
 cbs 1
 high-prio-only 10
exit
queue 2 auto-expedite create
 rate 100 cir 25
 mbs 50
 cbs 3
 high-prio-only 10
exit
queue 3 auto-expedite create
 rate 100 cir 25
 mbs 50
 cbs 10
 high-prio-only 10
exit
queue 4 auto-expedite create
 rate 100 cir 25
 mbs 25
 cbs 3
 high-prio-only 10
exit
queue 5 auto-expedite create
 rate 100 cir 100
 mbs 50
 cbs 10
 high-prio-only 10
exit
queue 6 auto-expedite create
 rate 100 cir 100
 mbs 50
 cbs 10
 high-prio-only 10
exit
```

## Overview

```
queue 7 auto-expedite create
 rate 100 cir 10
 mbs 25
 cbs 3
 high-prio-only 10
exit
queue 8 auto-expedite create
 rate 100 cir 10
 mbs 25
 cbs 3
 high-prio-only 10
exit
fc af create
 queue 3
exit
fc be create
 queue 1
exit
fc ef create
 queue 6
exit
fc h1 create
 queue 7
exit
fc h2 create
 queue 5
exit
fc l1 create
 queue 4
exit
fc l2 create
 queue 2
exit
fc nc create
 queue 8
exit
```

-----  
ALA-7>config>qos>shared-queue#

# Shared-Queue QoS Policy Command Reference

## Command Hierarchies

### Configuration Commands

```

config
 — qos
 — shared-queue policy-name
 — description description-string
 — no description
 — [no] fc {be | l2 | af | l1 | h2 | ef | h1 | nc}
 — broadcast-queue queue-id
 — no broadcast-queue
 — multicast-queue queue-id
 — no multicast-queue
 — queue queue-id
 — no queue
 — unknown-queue queue-id
 — no unknown-queue
 — queue queue-id [queue-type] [profile-mode | priority-mode] [multipoint] pool pool-name
 — no queue queue-id
 — cbs percent
 — no cbs
 — high-prio-only percent
 — no high-prio-only
 — mbs percent
 — no mbs
 — [no] pool pool-name
 — rate percent [cir percent]
 — no rate

```

### Show Commands

```

show
 — qos
 — shared-queue [policy-name] [detail]

```

## Command Descriptions

### Configuration Commands

#### Generic Commands

##### description

|                    |                                                                                                                                                                                                                                                                                                                                                             |
|--------------------|-------------------------------------------------------------------------------------------------------------------------------------------------------------------------------------------------------------------------------------------------------------------------------------------------------------------------------------------------------------|
| <b>Syntax</b>      | <b>description</b> <i>description-string</i><br><b>no description</b>                                                                                                                                                                                                                                                                                       |
| <b>Context</b>     | config>qos>shared-queue                                                                                                                                                                                                                                                                                                                                     |
| <b>Description</b> | <p>This command creates a text description stored in the configuration file for a configuration context.</p> <p>The <b>description</b> command associates a text string with a configuration context to help identify the context in the configuration file.</p> <p>The <b>no</b> form of this command removes any description string from the context.</p> |
| <b>Default</b>     | No description is associated with the configuration context.                                                                                                                                                                                                                                                                                                |
| <b>Parameters</b>  | <i>description-string</i> — A text string describing the entity. Allowed values are any string up to 80 characters long composed of printable, 7-bit ASCII characters. If the string contains special characters (#, \$, spaces, etc.), the entire string must be enclosed within double quotes.                                                            |

#### Shared Queue QoS Commands

##### shared-queue

|                    |                                                                                 |
|--------------------|---------------------------------------------------------------------------------|
| <b>Syntax</b>      | <b>shared-queue</b> <i>policy-name</i>                                          |
| <b>Context</b>     | config>qos                                                                      |
| <b>Description</b> | This command enables the context to modify the QoS default shared-queue policy. |
| <b>Parameters</b>  | <i>policy-name</i> — The name of the default shared-queue policy.               |
| <b>Values</b>      | <b>default</b>                                                                  |



## fc

|                    |                                                                                                                                                                                                                                                                                                                                                                                                                                                                  |
|--------------------|------------------------------------------------------------------------------------------------------------------------------------------------------------------------------------------------------------------------------------------------------------------------------------------------------------------------------------------------------------------------------------------------------------------------------------------------------------------|
| <b>Syntax</b>      | <b>[no] fc <i>fc-name</i></b>                                                                                                                                                                                                                                                                                                                                                                                                                                    |
| <b>Context</b>     | config>qos>shared-queue                                                                                                                                                                                                                                                                                                                                                                                                                                          |
| <b>Description</b> | This command specifies the forwarding class name. The forwarding class name represents an egress queue. The <b>fc</b> <i>fc-name</i> represents a CLI parent node that contains sub-commands or parameters describing the egress characteristics of the queue and the marking criteria of packets flowing through it. The <b>fc</b> command overrides the default parameters for that forwarding class defined in the network default policy <i>policy-id</i> 1. |
| <b>Default</b>     | See <a href="#">Default Shared Queue Policy Values</a> for undefined forwarding class values.                                                                                                                                                                                                                                                                                                                                                                    |
| <b>Parameters</b>  | <i>fc-name</i> — The case-sensitive, system-defined forwarding class name for which policy entries will be created.                                                                                                                                                                                                                                                                                                                                              |
| <b>Values</b>      | {be   l2   af   l1   h2   ef   h1   nc}                                                                                                                                                                                                                                                                                                                                                                                                                          |
| <b>Default</b>     | none                                                                                                                                                                                                                                                                                                                                                                                                                                                             |

## broadcast-queue

|                    |                                                                                                                                                                                                                                                                                                                                                                                                                                                                                                                                                                                                                                                                                        |
|--------------------|----------------------------------------------------------------------------------------------------------------------------------------------------------------------------------------------------------------------------------------------------------------------------------------------------------------------------------------------------------------------------------------------------------------------------------------------------------------------------------------------------------------------------------------------------------------------------------------------------------------------------------------------------------------------------------------|
| <b>Syntax</b>      | <b>broadcast-queue <i>multipoint-queue-id</i></b>                                                                                                                                                                                                                                                                                                                                                                                                                                                                                                                                                                                                                                      |
| <b>Context</b>     | config>qos>shared-queue>fc                                                                                                                                                                                                                                                                                                                                                                                                                                                                                                                                                                                                                                                             |
| <b>Description</b> | This command configures the broadcast forwarding type queue mapping for <b>fc</b> <i>fc-name</i> . The specified <i>queue-id</i> must exist within the policy as a multipoint queue before the mapping can be made. Once the forwarding class mapping is executed, all broadcast traffic on a SAP using this policy will be forwarded using the <i>queue-id</i> .<br><br>The broadcast forwarding type usually tracks the multicast forwarding type definition. This command overrides that default behavior.<br><br>The <b>no</b> form of the command sets the broadcast forwarding type <i>queue-id</i> back to the default of tracking the multicast forwarding type queue mapping. |
| <b>Parameters</b>  | <i>multipoint-queue-id</i> — The <i>multipoint-queue-id</i> parameter must be an existing, multipoint queue defined in the <b>config&gt;qos&gt;sap-ingress</b> context policer-output-queues profile. For the 7950 XRS, this is not configurable in the policer-output-queues profile.                                                                                                                                                                                                                                                                                                                                                                                                 |
| <b>Values</b>      | 17 to 24                                                                                                                                                                                                                                                                                                                                                                                                                                                                                                                                                                                                                                                                               |

## multicast-queue

|                |                                        |
|----------------|----------------------------------------|
| <b>Syntax</b>  | <b>multicast-queue <i>queue-id</i></b> |
| <b>Context</b> | config>qos>shared-queue>fc             |

## Shared-Queue QoS Policy Command Reference

**Description** This command configures the multicast forwarding type queue mapping for **fc** *fc-name*. The specified *queue-id* must exist within the policy as a multipoint queue before the mapping can be made. Once the forwarding class mapping is executed, all multicast traffic on a SAP using this policy is forwarded using the *queue-id*.

The multicast forwarding type includes the **unknown** unicast forwarding type and the **broadcast** forwarding type unless each is explicitly defined to a different multipoint queue. When the unknown and broadcast forwarding types are left as default, they will track the defined queue for the multicast forwarding type.

The **no** form of the command sets the multicast forwarding type *queue-id* back to the default queue for the forwarding class. If the **broadcast** and **unknown** forwarding types were not explicitly defined to a multipoint queue, they will also be set back to the default multipoint queue (queue 11).

**Parameters** *queue-id* — The *queue-id* parameter specified must be an existing, multipoint queue defined in the **config>qos>sap-ingress** context policer-output-queues profile. For the 7950 XRS, this is not configurable in the policer-output-queues profile.

**Values** 9 to 16

**Default** 11

## queue

**Syntax** **queue** *queue-id*  
**no queue**

**Context** config>qos>shared-queue>fc

**Description** This command overrides the default unicast forwarding type queue mapping for **fc** *fc-name*. The specified *queue-id* must exist within the policy as a non-multipoint queue before the mapping can be made. Once the forwarding class mapping is executed, all unicast traffic (this includes all traffic, even broadcast and multicast for services) on a SAP using this policy is forwarded using the *queue-id*.

The **no** form of this command sets the unicast (point-to-point) *queue-id* back to the default queue for the forwarding class (queue 1).

**Parameters** *queue-id* — The *queue-id* parameter specified must be an existing, non-multipoint queue defined in the **config>qos>sap-ingress** context. For the 7950 XRS, this is not configurable in the policer-output-queues profile.

**Values** Any valid non-multipoint *queue-id* in the policy including 1 and 3 through 32.

**Default** 1

## queue

**Syntax** **queue** *queue-id* [*queue-type*] [**profile-mode** | **priority-mode**] [**multipoint**] **pool** *pool-name*

```
queue queue-id [queue-type] [multipoint] pool pool-name
no queue queue-id
```

**Context** config>qos>shared-queue

**Description** This command creates the context to configure a shared queue QoS policy queue.

Explicit definition of an ingress queue's hardware scheduler status is supported. A single ingress queue allows support for multiple forwarding classes. The default behavior automatically chooses the expedited or non-expedited nature of the queue based on the forwarding classes mapped to it. As long as all forwarding classes mapped to the queue are expedited (nc, ef, h1 or h2), the queue is treated as an expedited queue by the hardware schedulers. When any non-expedited forwarding classes are mapped to the queue (be, af, l1 or l2), the queue is treated as best effort (be) by the hardware schedulers. The expedited hardware schedulers are used to enforce expedited access to internal switch fabric destinations.

On the 7450 ESS, the expedited hardware schedulers are used to enforce expedited access to internal switch fabric destinations. The hardware status of the queue must be defined at the time of queue creation within the policy.

The pool keyword is a create time parameter that allows the queue to receive buffers from an explicit buffer pool instead of the default buffer pool. The specified pool-name must have been explicitly created in a named-pool-policy and the policy must have been applied to the XMA or MDA or port on which the queue resides.

If the specified pool-name does not exist on the XMA or MDA, the queue will be treated as 'pool orphaned' and will be mapped to the appropriate default pool. Once the pool comes into existence on the XMA or MDA or port, the queue will be mapped to the new pool.

Once the queue is created within the policy, the pool command may be used to either remove the queue from the pool, or specify a new pool name association for the queue. The pool command does not appear in save or show command output. Instead, the current pool name for the queue will appear (or not appear) on the queue command output using the pool keyword.

**Parameters** *queue-id* — The *queue-id* for the queue, expressed as an integer. The *queue-id* uniquely identifies the queue within the policy. This is a required parameter each time the queue command is executed.

**Values** 1 to 32

*queue-type* — The **expedite**, **best-effort** and **auto-expedite** queue types are mutually exclusive to each other. Each defines the method that the system uses to service the queue from a hardware perspective. While parental virtual schedulers can be defined for the queue, they only enforce how the queue interacts for bandwidth with other queues associated with the same scheduler hierarchy. An internal mechanism that provides access rules when the queue is vying for bandwidth with queues in other virtual schedulers is also needed. A keyword must be specified at the time the queue is created in the SAP ingress policy. If an attempt to change the keyword after the queue is initially defined, an error is generated.

**expedite** — This keyword ensures that the queue is treated in an expedited manner independent of the forwarding classes mapped to the queue.

## Shared-Queue QoS Policy Command Reference

**best-effort** — This keyword ensures that the queue is treated in a non-expedited manner independent of the forwarding classes mapped to the queue.

**auto-expedite** — This keyword allows the system to auto-define the way the queue is serviced by the hardware. When auto-expedite is defined on the queue, the queue is treated in an expedited manner when all forwarding classes mapped to the queue are configured as expedited types nc, ef, h1 or h2. When a single non-expedited forwarding class is mapped to the queue (be, af, l1 and l2) the queue automatically falls back to non-expedited status.

**Default** auto-expedite

**multipoint** — This keyword specifies that this *queue-id* is for multipoint forwarded traffic only. This *queue-id* can only be explicitly mapped to the forwarding class multicast, broadcast, or unknown unicast ingress traffic. If you attempt to map forwarding class unicast traffic to a multipoint queue, an error is generated and no changes are made to the current unicast traffic queue mapping.

A queue must be created as multipoint. The **multipoint** designator cannot be defined after the queue is created. If an attempt is made to modify the command to include the **multipoint** keyword, an error is generated and the command will not execute.

The **multipoint** keyword can be entered in the command line on a pre-existing multipoint queue to edit *queue-id* parameters.

*pool-name* — The specified pool-name identifies a named pool where the policy will be applied. Each queue created within the system is tied to a physical port. When the policy is applied and the queue is created, the system will scan the named pools associated with the port to find the specified pool name. If the pool is not found on the port, the system will then look at named pools defined at the ports XMA or MDA level. If the pool name is not found on either the port or XMA or MDA, the queue will be marked as ‘pool-orphaned’ and will be mapped to the appropriate default pool. If the pool comes into existence, the queue will be moved from the default pool to the new named pool and the ‘pool-orphaned’ state will be cleared. The specified name must be an ASCII name string up to 16 characters long.

**Values** Any valid ASCII name string

**Default** None

The queue’s pool association may only be removed by either re-executing the queue command without the pool keyword or by executing the no pool command within the queue’s CLI context. When the pool name is removed, the queue will be placed on the appropriate default pool.

### unknown-queue

|                    |                                                                                                                                                                                                                                                                                                                                                                  |
|--------------------|------------------------------------------------------------------------------------------------------------------------------------------------------------------------------------------------------------------------------------------------------------------------------------------------------------------------------------------------------------------|
| <b>Syntax</b>      | <b>unknown-queue</b> <i>queue-id</i><br><b>no unknown-queue</b>                                                                                                                                                                                                                                                                                                  |
| <b>Context</b>     | config>qos>shared-queue>fc                                                                                                                                                                                                                                                                                                                                       |
| <b>Description</b> | This command configures the unknown unicast forwarding type queue mapping for <b>fc</b> <i>fc-name</i> . The specified <i>queue-id</i> must exist within the policy as a multipoint queue before the mapping can be made. Once the forwarding class mapping is executed, all unknown traffic on a SAP using this policy is forwarded using the <i>queue-id</i> . |

The unknown forwarding type usually tracks the multicast forwarding type definition. This command overrides that default behavior.

The **no** form of this command sets the unknown forwarding type *queue-id* back to the default of tracking the multicast forwarding type queue mapping.

**Parameters** *queue-id* — The *queue-id* must be an existing, multipoint queue defined in the the **config>qos>sap-ingress** context policer-output-queues profile. For the 7950 XRS, this is not configurable in the policer-output-queues profile.

**Values** 25 to 32

## cbs

**Syntax** **cbs percent**  
**no cbs**

**Context** config>qos>shared-queue>queue

**Description** The Committed Burst Size (**cbs**) command specifies the relative amount of reserved buffers for a specific ingress network XMA or MDA forwarding class queue or egress network port forwarding class queue. The value is entered as a percentage.

The CBS for a queue is used to determine whether it has exhausted its reserved buffers while enqueueing packets. Once the queue has exceeded the amount of buffers considered in reserve for this queue, it must contend with other queues for the available shared buffer space within the buffer pool. Access to this shared pool space is controlled through Random Early Detection (RED) slope application.

Two RED slopes are maintained in each buffer pool. A high priority slope is used by in-profile packets. A low priority slope is used by out-of-profile packets. All Network-Control and Management packets are considered in-profile. Assured packets are handled by their in-profile and out-of-profile markings. All Best-Effort packets are considered out-of-profile. Premium queues should be configured such that the CBS percent is sufficient to prevent shared buffering of packets. This is generally taken care of by the CIR scheduling of Premium queues and the overall small amount of traffic on the class. Premium queues in a properly designed system will drain before all others, limiting their buffer utilization.

The RED slopes will detect congestion conditions and work to discard packets and slow down random TCP session flows through the queue. The RED slope definitions can be defined, modified or disabled through the network-queue policy assigned to the XMA or MDA for the network ingress buffer pool or assigned to the network port for network egress buffer pools.

The resultant CBS size can be larger than the MBS. This will result in a portion of the CBS for the queue to be unused and should be avoided.

**Default** The **cbs** forwarding class defaults are listed in [Table 44](#).

**Table 44: CBS Forwarding Class Default Values**

| Forwarding Class | Forwarding Class Label | Default CBS |
|------------------|------------------------|-------------|
| Network-Control  | nc                     | 3           |
| High-1           | h1                     | 3           |
| Expedited        | ef                     | 1           |
| High-2           | h2                     | 1           |
| Low-1            | l1                     | 3           |
| Assured          | af                     | 1           |
| Low-2            | l2                     | 3           |
| Best-Effort      | be                     | 1           |

**Parameters** *percent* — The percent of buffers reserved from the total buffer pool space, expressed as a decimal integer. If 10 MB is the total buffers in the buffer pool, a value of 10 would reserve 1MB (10%) of buffer space for the forwarding class queue. The value 0 specifies that no reserved buffers are required by the queue (a minimal reserved size can be applied for scheduling purposes).

**Values** 0 to 100

## high-prio-only

**Syntax** **high-prio-only** *percent*  
**no high-prio-only**

**Context** config>qos>shared-queue>queue

**Description** The **high-prio-only** command allows the reservation of queue buffers for use exclusively by high priority packets as a default condition for access buffer queues for this shared queue policy.

The difference between the MBS size for the queue and the high priority reserve defines the threshold where low priority traffic will be discarded. The result is used on the queue to define a threshold where low priority packets are discarded, leaving the rest of the default MBS size for high priority packets only. If the current MBS for the queue is 10MBytes, a value of 5 will result in a high priority reserve on the queue of 500KBytes. A value of 0 specifies that none of the MBS of the queue will be reserved for high priority traffic. This does not affect RED slope operation for packets attempting to be queued.

Modifying the current MBS for the queue through the **mbs** command will cause the default **high-prio-only** function to be recalculated and applied to the queue. The **high-prio-only** command as defined for the specific queue can be used to override the default **high-prio-only** setting as defined in the network queue policy. This prevents the **high-prio-only** command for the shared queue policy from having an affect on the queue.

**Default** 10%

**Parameters** *percent* — The amount of queue buffer space, expressed as a decimal percentage of the MBS.

**Values** 0 to 100 | default

**mbs**

**Syntax** **mbs percent**  
**no mbs**

**Context** config>qos>shared-queue>queue

**Description** This command specifies the relative amount of the buffer pool space for the maximum buffers for a specific ingress network XMA or MDA forwarding class queue or egress network port forwarding class queue.

The MBS value is used to by a queue to determine whether it has exhausted its total allowed buffers while enqueueing packets. Once the queue has exceeded its maximum amount of buffers, all packets are discarded until the queue transmits a packet. A queue that has not exceeded its MBS size is not guaranteed that a buffer will be available when needed or that the packet’s RED slope will not force the discard of the packet. Setting proper CBS parameters and controlling CBS oversubscription is one major safeguard to queue starvation (when a queue does not receive its fair share of buffers). Another is properly setting the RED slope parameters for the needs of the network queues.

The MBS size can sometimes be smaller than the CBS. This will result in a portion of the CBS for the queue to be unused and should be avoided.

**Default** The **mbs** forwarding class defaults are listed in [Table 45](#).

**Table 45: MBS Forwarding Class Default Values**

| Forwarding Class | Fowarding Class Label | Default MBS |
|------------------|-----------------------|-------------|
| Network-Control  | nc                    | 25          |
| High-1           | h1                    | 25          |
| Expedited        | ef                    | 50          |
| High-2           | h2                    | 50          |
| Low-1            | l1                    | 25          |
| Assured          | af                    | 50          |
| Low-2            | l2                    | 50          |
| Best-Effort      | be                    | 50          |

## Shared-Queue QoS Policy Command Reference

**Parameters** *percent* — The percent of buffers from the total buffer pool space for the maximum amount of buffers, expressed as a decimal integer. If 10 MB is the total buffers in the buffer pool, a value of 10 would limit the maximum queue size to 1MB (10%) of buffer space for the forwarding class queue. If the total size is increased to 20MB, the existing value of 10 would automatically increase the maximum size of the queue to 2MB.

**Values** 0 to 100

### pool

**Syntax** **pool** *pool-name* [**create**]  
**no pool** *pool-name*

**Context** config>qos>shared-queue>queue

**Description** This command is utilized once the queue is created within the policy. The pool command may be used to either remove the queue from the pool, or specify a new pool name association for the queue. The pool command does not appear in save or show command output. Instead, the current pool name for the queue will appear (or not appear) on the queue command output using the pool keyword.

The **no pool** command is used to remove a named pool association for the queue. When the pool name is removed, the queue will be placed on the appropriate default pool.

**Default** None

**Parameters** *pool-name* — The specified pool-name identifies a named pool where the policy will be applied. Each queue created within the system is tied to a physical port. When the policy is applied and the queue is created, the system will scan the named pools associated with the port to find the specified pool name. If the pool is not found on the port, the system will then look at named pools defined at the ports XMA or MDA level. If the pool name is not found on either the port or XMA or MDA, the queue will be marked as ‘pool-orphaned’ and will be mapped to the appropriate default pool. If the pool comes into existence, the queue will be moved from the default pool to the new named pool and the ‘pool-orphaned’ state will be cleared. The specified name must be an ASCII name string up to 32 characters long.

### rate

**Syntax** **rate** [*percent*] [**cir** *percent*]  
**no rate**

**Context** config>qos>shared-queue>queue

**Description** This command defines the administrative Peak Information Rate (PIR) and the administrative Committed Information Rate (CIR) parameters for the queue. The PIR defines the percentage that the queue can transmit packets through the switch fabric (for SAP ingress queues) or out an egress interface (for SAP egress queues). Defining a PIR does not necessarily guarantee that the queue can transmit at the intended rate. The actual rate sustained by the queue can be limited by over-subscription factors or available egress bandwidth.



The CIR defines the percentage at which the system prioritizes the queue over other queues competing for the same bandwidth. For SAP ingress, the CIR also defines the rate that packets are considered in-profile by the system. In-profile packets are preferentially queued by the system at egress and at subsequent next hop nodes where the packet can traverse. To be properly handled as in- or out-of-profile throughout the network, the packets must be marked accordingly for profiling at each hop.

The CIR can be used by the queue's parent commands *cir-level* and *cir-weight* parameters to define the amount of bandwidth considered to be committed for the child queue during bandwidth allocation by the parent scheduler.

The **rate** command can be executed at anytime, altering the PIR and CIR rates for all queues created through the association of the SAP ingress or SAP egress QoS policy with the *queue-id*.

**Parameters** *percent* — Defines the percentage of the max rate allowed for the queue. When the **rate** command is executed, a valid PIR setting must be explicitly defined. When the **rate** command has not been executed, the default PIR of **max** is assumed. Fractional values are not allowed and must be given as a positive integer.

The actual PIR rate is dependent on the queue's **adaptation-rule** parameters and the actual hardware where the queue is provisioned.

**Values** 0 to 100, **max**

**Default** 100

*cir percent* — Defines the percentage of the max rate allowed for the queue. When the **rate** command is executed, a CIR setting is optional. When the **rate** command has not been executed or the **cir** parameter is not explicitly specified, the default CIR (0) is assumed. Fractional values are not allowed and must be given as a positive integer.

**Values** 0 to 100, **max**

**Default** 0

## Show Commands

The command outputs shown in this section are examples only; actual displays may differ depending on supported functionality and user configuration.

### shared-queue

**Syntax** **shared-queue** [*shared-queue-policy-name*] [**detail**]

**Context** show>qos

**Description** This command displays shared-queue policy information.

**Parameters** *shared-queue-policy-name* — The shared-queue policy name.

**detail** — Displays detailed information about the shared-queue policy.

## Shared-Queue QoS Policy Command Reference

### Output **Shared-Queue QoS Policy Output Fields**

Table 46 describes shared-queue QoS policy output fields.

**Table 46: Show QoS Shared Queue Output Fields**

| Label       | Description                                                                       |
|-------------|-----------------------------------------------------------------------------------|
| Policy      | The ID that uniquely identifies the policy.                                       |
| Description | A text string that helps identify the policy's context in the configuration file. |

### Sample Output

```
A:ALA-1>config>qos# show qos shared-queue default
=====
QoS Network Queue Policy
=====

Shared Queue Policy (default)

Policy : default
Description : Default Shared Queue Policy

Associations

No Matching Entries
=====
A:ALA-1>config>qos#
```

# Advanced QoS Policies

---

## In This Section

This section provides information to configure advanced QoS policies using the command line interface.

Topics in this section include:

- [Overview](#)
- [Basic Configurations](#)
- [Default Advanced Policy Values](#)
- [Deleting QoS Policies](#)

## Overview

The `adv-config-policy` contains queue and policer configuration parameters that are not expected to be useful to most users. In Release 10.0, the policy only contains queue and policer child control parameters within a child-control node.

The parameters within the child-control node are intended to allow more precise control of the method that hierarchical virtual scheduling employs to emulate the effect of a scheduling context upon a member child queue or policer.

Once a policy is created, it may be applied to a queue or policer defined within a `sap-egress` or `sap-ingress` QoS policy. It may also be applied to a queue or policer defined within an `ingress` or `egress` queue-group template. When a policy is currently associated with a QoS policy or template, the policy may be modified but not deleted (even in the event that the QoS policy or template is not in use).

While the system maintains default values for the advanced configuration parameters, no default `adv-config-policy` exists.

For information about the tasks and commands necessary to access the command line interface and to configure and maintain your router, refer to CLI Usage chapter in the System Basic Configuration Guide.

## Basic Configurations

A advanced QoS policy must conform to the following:

- Each advanced policy must have a unique policy ID.
- Default values can be modified but parameters cannot be deleted.

### Create an Advanced QoS Policy

Configuring and applying advanced policies is optional. If no advanced policy is explicitly applied to a SAP or IP interface, then no default advanced policy is applied.

To create a new advanced policy, define the following:

- A slope policy ID value. The system will not dynamically assign a value.
- Include a description. The description provides a brief overview of policy features.
- The child control parameters, parameters that are intended to allow more precise control of the method that hierarchical virtual scheduling employs to emulate the effect of a scheduling context upon a member child queue or policer.

The following displays an example of an advanced policy configuration:

```
ALA-7>config>qos# info
#-----
echo "QoS Policies Configuration"
#-----
...
 adv-config-policy "childPolicy1" create
 description "Test"
 child-control
 offered-measurement
 add percent 30
 granularity percent 30
 exit
 bandwidth-distribution
 above-offered-cap percent 5
 granularity percent 5
 exit
 exit
 exit
...
#-----
```

ALA-7>config>qos#

## Applying Advanced Policies

Apply advanced policies to the following entities:

- [Queue Group](#)
- [SAP Ingress](#)
- [SAP Egress](#)

### Queue Group

Use the following CLI syntax to apply advanced policies to ingress queue groups.

**CLI Syntax:** `config> qos queue-group-templates ingress queue-group  
group1 policer 1 adv-config-policy child1`

Use the following CLI syntax to apply advanced policies to egress queue groups.

**CLI Syntax:** `config> qos queue-group-templates egress queue-group  
group1 policer 1 adv-config-policy child1`

### SAP Ingress

Use the following CLI syntax to apply advanced policies to an ingress SAP.

**CLI Syntax:** `qos sap-ingress 11 policer 1 adv-config-policy child1  
queue 1 adv-config-policy child1`

### SAP Egress

Use the following CLI syntax to apply advanced policies to an egress SAP.

**CLI Syntax:** `qos sap-egress 11 policer 1 adv-config-policy child1  
queue 1 adv-config-policy child1`

## Default Advanced Policy Values

The default policies cannot be edited or deleted. [Table 47](#) displays default advanced policy parameters.

**Table 47: Advanced Policy Parameter Defaults**

| Field               | Default |
|---------------------|---------|
| offered-measurement |         |
| high-rate-hold-time | 0       |
| time-average-factor | 0       |
| sample-interval     | 4       |

## Deleting QoS Policies

Delete advanced policies from the following entities:

- [Queue Group](#)
- [SAP Ingress](#)
- [SAP Egress](#)

### Queue Group

Use the following CLI syntax to delete advanced policies from ingress queue groups.

**CLI Syntax:** `config> qos queue-group-templates ingress queue-group group1 policer 1 no adv-config-policy`

Use the following CLI syntax to delete advanced policies from egress queue groups.

**CLI Syntax:** `config> qos queue-group-templates egress queue-group group1 policer 1 no adv-config-policy`

## SAP Ingress

Use the following CLI syntax to delete advanced policies from an ingress SAP.

**CLI Syntax:** `qos sap-ingress 11 policer 1 adv-config-policy child1  
queue 1 no adv-config-policy`

## SAP Egress

Use the following CLI syntax to delete advanced policies from an egress SAP.

**CLI Syntax:** `qos sap-egress 11 policer 1 adv-config-policy child1  
queue 1 no adv-config-policy`

## Copying and Overwriting Advanced Policies

You can copy an existing advanced policy, rename it with a new policy ID value, or overwrite an existing policy ID. The overwrite option must be specified or an error occurs if the destination policy ID exists.

**CLI Syntax:** `config>qos> copy {adv-config-policy} source-policy-id  
dest-policy-id [overwrite]`

## Editing Advanced Policies

You can change existing advanced policies and entries in the CLI or NMS. The changes are applied immediately to all services where this policy is applied. To prevent configuration errors copy the policy to a work area, make the edits, and then write over the original policy.

## Overview



# Advanced QoS Policy Command Reference

## Command Hierarchies

### Configuration Commands

```

config
 — qos
 — [no] adv-config-policy policy-name
 — description description-string
 — no description
 — child-control
 — offered-measurement
 — [no] add {percent percent-of-admin-pir | rate rate-in-kilobits-per-second} [min-only | active-min-only]
 — [no] fast-start
 — [no] fast-stop
 — [no] granularity {percent percent-of-admin-pir | rate rate-in-kilobits-per-second}
 — [no] high-rate-hold-time seconds [min-only | active-min-only]
 — [no] max-decrement {percent percent-of-admin-pir | rate rate-in-kilobits-per-second}
 — [no] sample-interval sample-period
 — [no] time-average-factor taf-value [dec-only]
 — bandwidth-distribution
 — [no] above-offered-cap {percent percent-of-admin-pir | rate rate-in-kilobits-per-second}
 — [no] enqueue-on-pir-zero
 — [no] granularity {percent percent-of-admin-pir | rate rate-in-kilobits-per-second} [min-only]
 — [no] limit-pir-zero-drain
 — [no] lub-init-min-pir
 — [no] internal-scheduler-weight-mode {default | force-equal | offered-load | capped-offered-load}

```

### Operational Commands

```

config
 — qos
 — copy adv-config-policy src-name dst-name [overwrite]

```

## Show Commands

```
show
 — qos
 — adv-config-policy [policy-name] [detail]
```

## Command Descriptions

### Configuration Commands

#### Generic Commands

#### description

|                    |                                                                                                                                                                                                                                                                                                                                                             |
|--------------------|-------------------------------------------------------------------------------------------------------------------------------------------------------------------------------------------------------------------------------------------------------------------------------------------------------------------------------------------------------------|
| <b>Syntax</b>      | <b>description</b> <i>description-string</i><br><b>no description</b>                                                                                                                                                                                                                                                                                       |
| <b>Context</b>     | config>qos>adv-config-policy                                                                                                                                                                                                                                                                                                                                |
| <b>Description</b> | <p>This command creates a text description stored in the configuration file for a configuration context.</p> <p>The <b>description</b> command associates a text string with a configuration context to help identify the context in the configuration file.</p> <p>The <b>no</b> form of this command removes any description string from the context.</p> |
| <b>Default</b>     | No description is associated with the configuration context.                                                                                                                                                                                                                                                                                                |
| <b>Parameters</b>  | <i>description-string</i> — A text string describing the entity. Allowed values are any string up to 80 characters long composed of printable, 7-bit ASCII characters. If the string contains special characters (#, \$, spaces, etc.), the entire string must be enclosed within double quotes.                                                            |

## Operational Commands

### copy

|                    |                                                                                                                                                                                                                                                                                                                                                                                                                                                                                                                                                                                                                                                                                                                                                                                                            |
|--------------------|------------------------------------------------------------------------------------------------------------------------------------------------------------------------------------------------------------------------------------------------------------------------------------------------------------------------------------------------------------------------------------------------------------------------------------------------------------------------------------------------------------------------------------------------------------------------------------------------------------------------------------------------------------------------------------------------------------------------------------------------------------------------------------------------------------|
| <b>Syntax</b>      | <b>copy adv-config-policy</b> <i>src-name dst-name</i> [ <b>overwrite</b> ]                                                                                                                                                                                                                                                                                                                                                                                                                                                                                                                                                                                                                                                                                                                                |
| <b>Context</b>     | config>qos                                                                                                                                                                                                                                                                                                                                                                                                                                                                                                                                                                                                                                                                                                                                                                                                 |
| <b>Description</b> | <p>This command copies existing QoS policy entries for a QoS policy-id to another QoS policy-id.</p> <p>The <b>copy</b> command is a configuration level maintenance tool used to create new policies using existing policies. It also allows bulk modifications to an existing policy with the use of the <b>overwrite</b> keyword.</p>                                                                                                                                                                                                                                                                                                                                                                                                                                                                   |
| <b>Parameters</b>  | <p><b>adv-config-policy</b> — Indicates that the source policy ID and the destination policy ID are advanced policy IDs. Specify the source advanced policy ID that the copy command will attempt to copy from and specify the destination advanced policy ID to which the command will copy a duplicate of the policy.</p> <p><b>overwrite</b> — Specifies to replace the existing destination advanced policy. Everything in the existing destination policy will be overwritten with the contents of the source advanced policy. If <b>overwrite</b> is not specified, an error will occur if the destination policy ID exists.</p> <p>ALA-7&gt;config&gt;qos# copy adv-config-policy default sp1<br/> MINOR: CLI Destination "sp1" exists - use {overwrite}.<br/> ALA-7&gt;config&gt;qos#overwrite</p> |

## Advanced Policy QoS Commands

### adv-config-policy

|                    |                                                                                                                                                                                                                                                                                                                                                                                                                                                                                                                                                                                                                                                                                                                                                                                                                                                                                            |
|--------------------|--------------------------------------------------------------------------------------------------------------------------------------------------------------------------------------------------------------------------------------------------------------------------------------------------------------------------------------------------------------------------------------------------------------------------------------------------------------------------------------------------------------------------------------------------------------------------------------------------------------------------------------------------------------------------------------------------------------------------------------------------------------------------------------------------------------------------------------------------------------------------------------------|
| <b>Syntax</b>      | <b>[no] adv-config-policy</b> <i>policy-name</i> [ <b>create</b> ]                                                                                                                                                                                                                                                                                                                                                                                                                                                                                                                                                                                                                                                                                                                                                                                                                         |
| <b>Context</b>     | config>qos                                                                                                                                                                                                                                                                                                                                                                                                                                                                                                                                                                                                                                                                                                                                                                                                                                                                                 |
| <b>Description</b> | <p>This command enables the context to configure an advanced QoS policy. This command contains only queue and policer child control parameters within a child-control node.</p> <p>The parameters within the <b>child-control</b> node are intended to allow more precise control of the method that hierarchical virtual scheduling employs to emulate the effect of a scheduling context upon a member child queue or policer.</p> <p>Once a policy is created, it may be applied to a queue or policer defined within a <b>sap-egress</b> or <b>sap-ingress</b> QoS policy. It may also be applied to a queue or policer defined within an <b>ingress</b> or <b>egress queue-group</b> template. When a policy is currently associated with a QoS policy or template, the policy may be modified but not deleted (even in the event that the QoS policy or template is not in use).</p> |

## Advanced QoS Policy Command Reference

While the system maintains default values for the advanced configuration parameters, no default **adv-config-policy** exists.

The **no** form of this command removes the specified advanced policy.

**Default** None

**Parameters** *policy-name* — The name of the advanced QoS policy. A policy-name must be specified and conform to the policy naming guidelines. If the specified name does not exist, the optional **create** keyword requirements are met and the total number of policies per system will not be exceeded, an **adv-config-policy** of that name will be created. If the specified name does exist, the system will switch context to that **adv-config-policy** for the purpose of modification of the policy's contents.

**Values** Valid names consist of any string up to 32 characters long composed of printable, 7-bit ASCII characters. If the string contains special characters (#, \$, spaces, etc.), the entire string must be enclosed within double quotes.

### child-control

**Syntax** **child-control**

**Context** config>qos>adv-config-policy

**Description** This command contains parameters that are intended to allow more precise control of the method that hierarchical virtual scheduling employs to emulate the effect of a scheduling context upon a member child queue or policer.

This command edits the parameters that control the child requested bandwidth and parental bandwidth distribution for all policers and queues associated with the policy.

### offered-measurement

**Syntax** **offered-measurement**

**Context** config>qos>adv-config-policy>child-control

**Description** This command modifies the offered rate measurement used to determine the bandwidth the queue or policer is requesting from its parent virtual scheduling context.

This command modifies the parameters that control the child requested bandwidth for all policers and queues associated with the policy.

### add

**Syntax** [**no**] **add** {**percent** *percent-of-admin-pir* | **rate** *rate-in-kilobits-per-second*} [**min-only** | **active-**

**min-only]**

|                    |                                                                                                                                                                                                                                                                                                                                                                                                                                                                                                                                                                                                                                                                                                                                                                                                                                                                                                                                                                                                                                                                                                                                                                                                                                                                                                                                                                                                                                                                                                                                                                                                                                                                                                                                                                                                                                                                                                                                                                                                                                                                                                                                                                                                                                                                                                                                                                                                                                                                                                                                                                                                                                                                                                                                                                                                                                                                                                                                                                                                                                    |
|--------------------|------------------------------------------------------------------------------------------------------------------------------------------------------------------------------------------------------------------------------------------------------------------------------------------------------------------------------------------------------------------------------------------------------------------------------------------------------------------------------------------------------------------------------------------------------------------------------------------------------------------------------------------------------------------------------------------------------------------------------------------------------------------------------------------------------------------------------------------------------------------------------------------------------------------------------------------------------------------------------------------------------------------------------------------------------------------------------------------------------------------------------------------------------------------------------------------------------------------------------------------------------------------------------------------------------------------------------------------------------------------------------------------------------------------------------------------------------------------------------------------------------------------------------------------------------------------------------------------------------------------------------------------------------------------------------------------------------------------------------------------------------------------------------------------------------------------------------------------------------------------------------------------------------------------------------------------------------------------------------------------------------------------------------------------------------------------------------------------------------------------------------------------------------------------------------------------------------------------------------------------------------------------------------------------------------------------------------------------------------------------------------------------------------------------------------------------------------------------------------------------------------------------------------------------------------------------------------------------------------------------------------------------------------------------------------------------------------------------------------------------------------------------------------------------------------------------------------------------------------------------------------------------------------------------------------------------------------------------------------------------------------------------------------------|
| <b>Context</b>     | config>qos>adv-config-policy>child-control>offered-measurement                                                                                                                                                                                                                                                                                                                                                                                                                                                                                                                                                                                                                                                                                                                                                                                                                                                                                                                                                                                                                                                                                                                                                                                                                                                                                                                                                                                                                                                                                                                                                                                                                                                                                                                                                                                                                                                                                                                                                                                                                                                                                                                                                                                                                                                                                                                                                                                                                                                                                                                                                                                                                                                                                                                                                                                                                                                                                                                                                                     |
| <b>Description</b> | <p>This command is used to increase the measured rate of the policer or queue associated with the policy. The offered rate (capped by the administrative PIR configured on the queue or policer) is usually used unaltered by the parent virtual scheduler. The add command allows this measured rate to be increased by the specified amount or by a percentage of the administrative PIR. The resulting rate will not exceed the administrative PIR.</p> <p>The parent scheduler uses the modified measured rate as the available work load for the queue or policer in determining how much bandwidth the child should receive from the bandwidth distribution algorithm.</p> <p>One example of when an increase in the measured offered rate may be desired is when a queue or policer is handling VOIP traffic. A characteristic of VOIP is the step nature in how traffic is used. Each call typically adds a certain maximum amount to the overall load. By using the add command, the bandwidth required for the next added call may be included in the current measured rate. This allows the virtual scheduler to allocate sufficient bandwidth to the queue or policer so that when the call is made the scheduling algorithm does not need to run to increase the bandwidth.</p> <p>A side effect of increasing the measured offered rate is that if the extra bandwidth is allocated by the virtual scheduler, the available bandwidth to lower priority queues or policers is diminished even though the extra allocated bandwidth may not be in use. If this is the case, the effect will be seen as an underrun in the aggregate output of the virtual scheduler.</p> <p>If the add command is used with a percent based value, the increase is a function of the configured PIR value on the policer or queue. In this case, care should be taken that the child is either configured with an explicit PIR rate (other than max) or the child's administrative PIR is defined using the percent-rate command with the local parameter enabled if an explicit value is not desired. When a maximum PIR is in use on the child, the system attempts to interpret the maximum child forwarding rate. This rate could be very large if the child is associated with multiple ingress or egress ports.</p> <p>Except for the overall cap on the offered input into the virtual scheduler, the child's administrative PIR has no effect on the calculated increase if an explicit rate is specified.</p> <p>If the child's administrative PIR is modified while a percent based add is in effect, the system automatically uses the new relative increase value the next time the child's offered rate is determined.</p> <p>When the add command is not specified or removed, the child's offered rate used by the child's virtual scheduler is not increased.</p> <p>The <b>no</b> form of this command is used to remove an offered rate increase from all child policers and queues associated with the policy.</p> |

## Advanced QoS Policy Command Reference

- Parameters**
- percent-of-admin-pir* — When the percent qualifier is used, this parameter specifies the percentage of the child's administrative PIR that should be added to the child's offered rate. The new offered rate result is capped by the child's PIR. If a value of 0 or 0.00 is used, the system interprets this equivalent to no add.
- Default** None, an increase percentage value must be specified when the percent qualifier is used.
- Values** 1.00 to 100.00
- rate-in-kilobits-per-second* — When the rate qualifier is used, this parameter specifies an explicit number of kilobits-per-second (1000 bits-per-second) that should be added to the child's offered rate. The new offered rate result is capped by the child's PIR. If a rate increase of 0 is specified, the system interprets this equivalent to no add.
- Default** None, an increase rate value must be specified when the rate qualifier is used.
- Values** 0 to 100,000,000
- min-only** — This optional parameter is used to reinterpret the increase as a minimum offered rate. When this option is enabled, the system uses the specified increase as a minimum offered rate even for inactive queues or policers associated with the policy.
- active-min-only** — When this optional parameter is specified, the respective rate or percentage is treated as the minimum offered rate for a queue only when the queue has an actual non-zero offered rate. This is intended to limit the artificial increase in offered rate to queues that are currently active. Once a queue's measured offered rate drops to zero, the system stops enforcing the minimum value.

## granularity

- Syntax** `[no] granularity {percent percent-of-admin-pir | rate rate-in-kilobits-per-second}`
- Context** `config>qos>adv-config-policy>child-control>offered-measurement`
- Description** This command is used to adjust the sensitivity of the virtual scheduler to changes in the child offered rate. As the child offered rate is determined, it is compared to the previous offered rate. If the delta does not exceed the sensitivity threshold determined for the current offered rate, the change in offered rate is ignored for that iteration.
- While it is assumed that changing the offered rate change sensitivity will be a rare occurrence, one may want to react to smaller changes in the offered rate of a particular child policer or queue. Another possible reason for changing the sensitivity is that it may be desired to lower the impact of changes in offered rate on the virtual scheduler for a particular child by raising the granularity.
- A side effect of higher sensitivity (lower granularity) is that the virtual scheduler may need to adjust the distributed bandwidth between all children more often resulting in the possibility of lowering resources available to other virtual scheduler instances on the slot.
- A side effect of lower sensitivity (higher granularity) is that the parent virtual scheduler may distribute insufficient bandwidth to the child resulting in dropped packets.

If the granularity command is used with a percent based value, the sensitivity is a function of the configured PIR value on the policer or queue. In this case, care should be taken that the child is either configured with an explicit PIR rate (other than max) or the child's administrative PIR is defined using the percent-rate command with the local parameter enabled if an explicit value is not desired. When a maximum PIR is in use on the child, the system attempts to interpret the maximum child forwarding rate. This rate could be very large if the child is associated with multiple ingress or egress ports.

Except for the overall cap on the offered input into the virtual scheduler, the child's administrative PIR has no effect on the calculated sensitivity if an explicit rate is specified.

If the child's administrative PIR is modified while a percent based granularity is in effect, the system automatically uses the new relative sensitivity value the next time the child's offered rate is determined.

The **no** form of this command is used to restore the default offered rate sensitivity behavior to all child policers and queues associated with the policy.

**Parameters** *percent-of-admin-pir* — When the percent qualifier is used, this parameter specifies the percentage of the child's administrative PIR that should be used as the threshold sensitivity to offered rate change. If a value of 0 or 0.00 is used, the system will interpret this equivalent to no granularity.

**Default** None, the sensitivity percentage value must be specified when the percent qualifier is used.

**Values** 1.00 to 100.00

*rate-in-kilobits-per-second* — When the rate qualifier is used, this parameter specifies an explicit number of kilobits-per-second (1000 bits-per-second) that should be as the child's offered rate change sensitivity value. If a rate sensitivity of 0 is specified, the system interprets this equivalent to no granularity.

**Default** None, the sensitivity rate value must be specified when the rate qualifier is used.

**Values** 0 to 100,000,000

## max-decrement

**Syntax** **[no] max-decrement {percent *percent-of-admin-pir* | rate *rate-in-kilobits-per-second*}**

**Context** config>qos>adv-config-policy>child-control>offered-measurement

**Description** This command is used to limit how fast a child queue or policer can 'give up' bandwidth that it has been allotted from the virtual scheduler in a single iteration. If the child's new offered rate has decreased by more than the maximum decrement limit, the system ignores the new offered rate and instead uses the old offered rate less the maximum decrement limit.

## Advanced QoS Policy Command Reference

A possible reason to define a maximum decrement limit is to allow a child queue or policer to hold on to a portion of bandwidth that has been distributed by the parent virtual scheduler in case the child's offered rate fluctuates in an erratic manor. The max-decrement limit has a dampening effect to changes in the offered rate.

A side effect of using a maximum decrement limit is that unused bandwidth allocated to the child queue or policer will not be given to another child as quickly. This may result in an underrun of the virtual scheduler's aggregate rate.

The max-decrement limit has no effect on any increase in a child's offered rate. If the rate increase is above the change sensitivity, the new offered rate is immediately used.

If the max-decrement command is used with a percent based value, the decrement limit will be a function of the configured PIR value on the policer or queue. In this case, care should be taken that the child is either configured with an explicit PIR rate (other than max) or the child's administrative PIR is defined using the percent-rate command with the local parameter enabled if an explicit value is not desired. When a maximum PIR is in use on the child, the system attempts to interpret the maximum child forwarding rate. This rate could be very large if the child is associated with multiple ingress or egress ports.

Except for the overall cap on the offered input into the virtual scheduler, the child's administrative PIR has no effect on the calculated sensitivity if an explicit rate is specified.

If the child's administrative PIR is modified while a percent based max-decrement is in effect, the system automatically uses the new relative maximum decrement limit value the next time the child's offered rate is determined.

When the max-decrement command is not specified or removed, the virtual scheduler does not limit a decreasing offered rate to a specific limit.

The **no** form of this command is used to remove any currently configured maximum decrement limit for all child policers and queues associated with the policy.

### Parameters

*percent-of-admin-pir* — When the percent qualifier is used, this parameter specifies the percentage of the child's administrative PIR that should be used as the decrement limit to offered rate change. If a value of 100 or 100.00 is used, the system will interpret this equivalent to no max-decrement.

**Default** None, the decrement limit percentage value must be specified when the percent qualifier is used.

**Values** 1.00 to 100.00

*rate-in-kilobits-per-second* — When the rate qualifier is used, this parameter specifies an explicit number of kilobits-per-second (1000 bits-per-second) that should be as the child's offered rate change sensitivity value. If a rate sensitivity of 0 is specified, the system interprets this equivalent to no granularity.

**Default** None, the decrement limit value must be specified when the rate qualifier is used.

**Values** 0 to 100,000,000



## high-rate-hold-time

|                    |                                                                                                                                                                                                                                                                                                                                                                                                                                                                                                                                                                                                                                                                                                                                                                                                                                                                                                                                                                                                                                                                                                                                                                                                                                                                                                                                                                        |
|--------------------|------------------------------------------------------------------------------------------------------------------------------------------------------------------------------------------------------------------------------------------------------------------------------------------------------------------------------------------------------------------------------------------------------------------------------------------------------------------------------------------------------------------------------------------------------------------------------------------------------------------------------------------------------------------------------------------------------------------------------------------------------------------------------------------------------------------------------------------------------------------------------------------------------------------------------------------------------------------------------------------------------------------------------------------------------------------------------------------------------------------------------------------------------------------------------------------------------------------------------------------------------------------------------------------------------------------------------------------------------------------------|
| <b>Syntax</b>      | <b>[no] high-rate-hold-time</b> <i>seconds</i> [ <b>active-min-only</b> ]                                                                                                                                                                                                                                                                                                                                                                                                                                                                                                                                                                                                                                                                                                                                                                                                                                                                                                                                                                                                                                                                                                                                                                                                                                                                                              |
| <b>Context</b>     | config>qos>adv-config-policy>child-control>offered-measurement                                                                                                                                                                                                                                                                                                                                                                                                                                                                                                                                                                                                                                                                                                                                                                                                                                                                                                                                                                                                                                                                                                                                                                                                                                                                                                         |
| <b>Description</b> | <p>This command sets a time period that the current offered rate should be maintained for a child policer or queue once it is seen that the offered rate is decreasing. The offered measurement that triggers the hold time is used when the hold timer expires unless a higher offered rate is seen in the interim. When a higher rate is observed, the hold timer is canceled and the higher offered rate is used immediately.</p> <p>A possible reason to define a hold timer for an offered rate is to allow a child queue to dampen the effects of a child with a fluctuating rate on the virtual scheduler. This works similar to the max-decrement in that the child holds on to bandwidth from the virtual scheduler in case it may be needed in the near future.</p> <p>This parameter has no effect on an increase to the child's offered rate. If the rate increase is above the change sensitivity, the new offered rate is immediately used.</p> <p>When this command is not specified or removed, the virtual scheduler immediately reacts to measured decreases in offered load.</p> <p>The <b>no</b> form of this command is used to remove any currently configured hold time for all child policers and queues associated with the policy. When the hold time is removed, any current hold timers for child policers are automatically canceled.</p> |
| <b>Parameters</b>  | <p><i>seconds</i> — The hold time configured must be specified in seconds. A value of 0 is equivalent to no high-rate-hold-time.</p> <p><b>Default</b> 0</p> <p><b>Values</b> 0 to 60</p> <p><b>active-min-only</b> — When this optional parameter is specified, the <b>high-rate-hold-time</b> command will accept the optional <b>active-min-only</b> parameter. Attempting to remove the active-min-only parameter from the <b>add</b> command, or removing the <b>add</b> command itself, will fail while <b>active-min-only</b> is enabled on the <b>high-rate-hold-time</b> command. When specified, the respective rate or percentage is treated as the minimum offered rate for a queue only when the queue has an actual non-zero offered rate. This is intended to limit the artificial increase in offered rate to queues that are currently active. Once a queue's measured offered rate drops to zero, the system stops enforcing the minimum value.</p>                                                                                                                                                                                                                                                                                                                                                                                                  |

## time-average-factor

|                    |                                                                                                                                                                                                |
|--------------------|------------------------------------------------------------------------------------------------------------------------------------------------------------------------------------------------|
| <b>Syntax</b>      | <b>[no] time-average-factor</b> <i>taf-value</i> [ <b>dec-only</b> ]                                                                                                                           |
| <b>Context</b>     | config>qos>adv-config-policy>child-control>offered-measurement                                                                                                                                 |
| <b>Description</b> | This command is used to weight the new offered rate with a portion of the previous offered rate. It would be expected that this command would mainly be used with the dec-only option enabled. |

## Advanced QoS Policy Command Reference

The adjustment to the offered rate is performed using the following formula when taf-value is not set to '0':

$$\text{Adjusted\_Rate} = ((\text{Prev\_Offered\_Rate} \times (\text{taf-value} - 1)) + \text{New\_Offered\_Rate}) / \text{taf-value}$$

If the dec-only option is specified, the adjustment is only applied when New\_Offered\_Rate is less than the Prev\_Offered\_Rate. When taf-value is set to '0', the adjustment is never applied.

The **no** form of this command is used to remove the time average factor adjustments to new offered rate measurements.

**Parameters** *taf-value* — The taf-value is specified as a whole number between 0 and 64. The value '0' has special meaning in that it disables the time average factor adjustment and has the same effect as no time-average-factor.

**Default** 0

**Values** 0 to 64

*dec-only* — This keyword is an optional parameter. When enabled, the time average factor adjustment is only applied if the new offered rate is decreasing compared to the previous offered rate. If the new offered rate is greater than the previous offered rate, the adjustment is not applied.

## sample-interval

**Syntax** **[no] sample-interval** *sample-periods*

**Context** config>qos>adv-config-policy>child-control>offered-measurement

**Description** This command is used to define the number of intervening sample periods before a new offered rate is measured. The default is 4 sample periods. By decreasing the sampling interval, the system will measure a child's new offered rate more frequently. Inversely, increasing the sampling interval causes the child's offered rate to be measured less frequently.

The overall number of offered rate measurements the system attempts within a given timeframe is not affected by the sample-interval command. If the system is asked to perform offered rate measurements more often on some queues, it will take longer to get to all children.

When this command is not specified or removed, the system evaluates the offered rate of each child after 4 sampling periods.

The **no** form of this command is used to restore the sampling interval default of 4 sample periods.

**Parameters** *sample-periods* — The sample-periods parameter is specified as a whole number between 1 and 8. The value '4' has the same effect as no time-average-factor. The value '1' represents the fastest sampling rate available and the value '8' represents the slowest sampling period available.

**Default** 4

**Values** 1 to 8

## fast-start

|                    |                                                                                                                                                                                                                                                                                                                                                                                                                                                                                                                                                                                                                                                                                                                                                                                                                                                                                                                                                                                                                                                                                                                                        |
|--------------------|----------------------------------------------------------------------------------------------------------------------------------------------------------------------------------------------------------------------------------------------------------------------------------------------------------------------------------------------------------------------------------------------------------------------------------------------------------------------------------------------------------------------------------------------------------------------------------------------------------------------------------------------------------------------------------------------------------------------------------------------------------------------------------------------------------------------------------------------------------------------------------------------------------------------------------------------------------------------------------------------------------------------------------------------------------------------------------------------------------------------------------------|
| <b>Syntax</b>      | <b>[no] fast-start</b>                                                                                                                                                                                                                                                                                                                                                                                                                                                                                                                                                                                                                                                                                                                                                                                                                                                                                                                                                                                                                                                                                                                 |
| <b>Context</b>     | config>qos>adv-config-policy>child-control>offered-measurement                                                                                                                                                                                                                                                                                                                                                                                                                                                                                                                                                                                                                                                                                                                                                                                                                                                                                                                                                                                                                                                                         |
| <b>Description</b> | <p>This command is used to enable fast detection of initial bandwidth on a child policer or queue associated with the policy. Multiple offered rate counter reads may be performed per the sampling interval. The system accumulates these counter values and evaluates the delta at the conclusion of the sampling interval. When fast-start is enabled, the system identifies all children associated with the policy that enter the inactive state (current offered rate is zero). Any inactive ‘fast start’ child that has a positive offered counter during a sampling period bypasses the normal sampling interval and does an immediate offered rate evaluation.</p> <p>This option is intended for use with children that would benefit from faster than normal startup detection, typically those of a real-time nature.</p> <p>When this parameter is not enabled, the system uses the normal sampling interval behavior of both newly active and currently active children.</p> <p>The <b>no</b> form of this command is used to restore the sampling interval based offered rate evaluation for newly active children.</p> |

## fast-stop

|                    |                                                                                                                                                                                                                                                                                                                                                                                                                                                                                                                                                                                                                                                                                                                                                                                                                                                                                                                                                                                                                                                  |
|--------------------|--------------------------------------------------------------------------------------------------------------------------------------------------------------------------------------------------------------------------------------------------------------------------------------------------------------------------------------------------------------------------------------------------------------------------------------------------------------------------------------------------------------------------------------------------------------------------------------------------------------------------------------------------------------------------------------------------------------------------------------------------------------------------------------------------------------------------------------------------------------------------------------------------------------------------------------------------------------------------------------------------------------------------------------------------|
| <b>Syntax</b>      | <b>[no] fast-stop</b>                                                                                                                                                                                                                                                                                                                                                                                                                                                                                                                                                                                                                                                                                                                                                                                                                                                                                                                                                                                                                            |
| <b>Context</b>     | config>qos>adv-config-policy>child-control>offered-measurement                                                                                                                                                                                                                                                                                                                                                                                                                                                                                                                                                                                                                                                                                                                                                                                                                                                                                                                                                                                   |
| <b>Description</b> | <p>This command is used to enable fast detection of lack of offered rate on a child policer or queue associated with the policy. Multiple offered rate counter reads may be performed per sampling interval. The system accumulates these counter values and evaluates the delta at the conclusion of the sampling interval. When fast-stop is enabled, the system bypasses the sampling interval for any currently active ‘fast stop’ child that has a zero offered counter measurement and does an immediate offered rate evaluation using the zero value.</p> <p>This option is intended for use with children where other children would benefit from faster than normal inactive detection, typically those of a real-time nature.</p> <p>When this parameter is not enabled, the system uses the normal sampling interval behavior of both newly inactive and currently active children.</p> <p>The <b>no</b> form of this command is used to restore the sampling interval based offered rate evaluation for newly inactive children.</p> |

## bandwidth-distribution

|               |                            |
|---------------|----------------------------|
| <b>Syntax</b> | <b>offered-measurement</b> |
|---------------|----------------------------|

## Advanced QoS Policy Command Reference

**Context** config>qos>adv-config-policy>child-control

**Description** This command modifies or controls the bandwidth distribution phase of the parent virtual scheduler.

This command edits the parameters that control the child given bandwidth for all policers and queues associated with the policy.

### above-offered-cap

**Syntax** [no] **above-offered-cap** {**percent** *percent-of-admin-pir* | **rate** *rate-in-kilobits-per-second*}

**Context** config>qos>adv-config-policy>child-control>bandwidth-distribution

**Description** This command is used to limit the operationally configured shaping or policing rate on the child associated with the policy. After the parent virtual scheduler or policer control policy determines the appropriate rate for a given child a separate operation decides the actual PIR that should be configured for that child. When the parent determines that the distributed rate is equal to or less than the child's offered rate, the configured operational PIR will be equal to that determined rate. But when the parent determines that the child's offered rate is less than the available bandwidth the child could consume, the operational PIR may be set to a value larger than the distributed bandwidth. This extra rate is not currently used by the child since the offered rate is less. The system provides this extra bandwidth in case the child's offered rate increases before the next sampling interval is complete in order to mitigate the periodic nature of the child's operational PIR adjustments. The increase in the offered rate is not subtracted from the parent's remaining distribution bandwidth for lower priority children, only the determined rate is considered consumed by the parent virtual scheduler or policer control policy instance. The actual operationally configured PIR will never be greater than the child's administratively defined PIR.

This 'fair share' PIR configuration behavior may result in the sum of the children's PIRs exceeding the aggregate rate of the parent. If this behavior violates the downstream QoS requirements, the above-offered-cap command may be used to minimize or eliminate the increase in the child's configured PIR.

If the above-offered-cap command is used with a percent based value, the increase is a function of the configured PIR value on the policer or queue. In this case, care should be taken that the child is either configured with an explicit PIR rate (other than max) or the child's administrative PIR is defined using the percent-rate command with the local parameter enabled if an explicit value is not desired. When a maximum PIR is in use on the child, the system attempts to interpret the maximum child forwarding rate. This rate could be very large if the child is associated with multiple ingress or egress ports.

If the child's administrative PIR is modified while a percent based above-offered-cap is in effect, the system automatically uses the new relative limit value the next time the child's operational PIR is distributed.

When this command is not specified or removed, the child's operational 'fair share' operational PIR may be configured up to the child's administrative PIR based on the actual parental bandwidth available at the child's priority level.

The **no** form of this command is used to remove a fair share operational PIR rate increase limit from all child policers and queues associated with the policy.

**Parameters** *percent-of-admin-pir* — When the percent qualifier is used, the following percent-of-admin-pir parameter specifies the percentage of the child’s administrative PIR that used as the fair share increase limit. The new operational PIR result is capped by the child’s PIR. If a value of 0 or 0.00 is used, the system will disable the fair share increase function and only configure the actual distribution rate. If a value of 100 or 100.00 is used, the system will interpret this equivalent to executing the no above-offered-cap command and return the fair-share operation to the default behavior.

**Default** None, an increase limit percentage value must be specified when the percent qualifier is used.

**Values** 0.00 to 100.00

*rate-in-kilobits-per-second* — When the rate qualifier is used, the following rate-in-kilobits-per-second parameter specifies an explicit number of kilobits-per-second (1000 bits-per-second) that should be used as the limit to the child’s fair share increase to the operational PIR. The new operational PIR result is capped by the child’s PIR. If a value of 0 is used, the system will disable the fair share increase function and only configure the actual distribution rate.

**Default** None, an increase limit rate value must be specified when the rate qualifier is used.

**Values** 0 to 100,000,000

## enqueue-on-pir-zero

**Syntax** `[no] enqueue-on-pir-zero`

**Context** `config>qos>adv-config-policy>child-control>offered-measurement`

**Description** This command is used to enable queuing of new packets when HQoS determines that a queue should stop forwarding (operational PIR set to zero). The default behavior is to allow the queue to continue to use the previously determined operational PIR and set the queue’s MBS (Maximum Burst Size) to zero. This prevents new packets from being admitted to the queue until the PIR zero case terminates. The new behavior when **enqueue-on-pir-zero** is enabled is to set the operational PIR to zero and leave the queue’s MBS set to the normal value.

This command is ignored for FP1 based forwarding planes as this feature is not supported on Q1 traffic management devices. This command overrides the **limit-pir-zero-drain** command for FP2 and above forwarding planes that are based on the Q2 or greater traffic management devices.

The **no** form of this command reverts to default behavior.

## granularity

**Syntax** `[no] granularity {percent percent-of-admin-pir | rate rate-in-kilobits-per-second}`

**Context** `config>qos>adv-config-policy>child-control>offered-measurement`

## Advanced QoS Policy Command Reference

**Description** This command is used to create a stepped like behavior where the operational PIR will round up to the nearest increment of the specified granularity before being applied to the child. The only exception is when the distributed bandwidth is less than 1% above a lower step value in which case the lower step value is used.

This stepped behavior may be useful when the bandwidth used by an active child is well known. While the above-offered-cap function automatically adds a specified amount to the operational PIR of a child, the granularity function only increments the operational PIR to the next step value. While not expected to be used in conjunction, the above-offered-cap and granularity commands may be used simultaneously in which case the above-offered-cap increase will be applied first followed by the granularity rounding to the next step value.

If the granularity command is used with a percent based value, the rounding up function of the configured PIR value on the policer or queue is based on the child's administrative PIR. In this case, care should be taken that the child is either configured with an explicit PIR rate (other than max) or the child's administrative PIR is defined using the percent-rate command with the local parameter enabled if an explicit value is not desired. When a maximum PIR is in use on the child, the system attempts to interpret the maximum child forwarding rate. This rate could be very large if the child is associated with multiple ingress or egress ports.

If the child's administrative PIR is modified while a percent based granularity is in effect, the system automatically uses the new relative rounding value the next time the child's operational PIR is determined.

When this command is not specified or removed, the system makes no attempt to round up the child's determined operational PIR.

The no form of this command is used to remove the operational PIR rounding behavior from all child policers and queues associated with the policy.

**Parameters** *percent-of-admin-pir* — When the percent qualifier is used, the following percent-of-admin-pir parameter specifies the percentage of the child's administrative PIR that should be used as the rounding step value. If a value of 0 or 0.00 is used, the system will interpret this equivalent to no granularity.

**Default** None, the rounding percentage of administrative PIR must be specified when the percent qualifier is used.

**Values** 0.00 to 100.00

*rate-in-kilobits-per-second* — When the rate qualifier is used, the following rate-in-kilobits-per-second parameter specifies an explicit number of kilobits-per-second (1000 bits-per-second) that should be as the child's rounding step value. If a rate step of 0 is specified, the system interprets this equivalent to no granularity.

**Default** None, the rounding rate step must be specified when the rate qualifier is used.

**Values** 0 to 100,000,000

## limit-pir-zero-drain

|                    |                                                                                                                                                                                                                                                                                                                                                                                                                                                                                                                                                                                                                                                                                        |
|--------------------|----------------------------------------------------------------------------------------------------------------------------------------------------------------------------------------------------------------------------------------------------------------------------------------------------------------------------------------------------------------------------------------------------------------------------------------------------------------------------------------------------------------------------------------------------------------------------------------------------------------------------------------------------------------------------------------|
| <b>Syntax</b>      | <b>[no] limit-pir-zero-drain</b>                                                                                                                                                                                                                                                                                                                                                                                                                                                                                                                                                                                                                                                       |
| <b>Context</b>     | config>qos>adv-config-policy>child-control>offered-measurement                                                                                                                                                                                                                                                                                                                                                                                                                                                                                                                                                                                                                         |
| <b>Description</b> | This command is used to configure the system to use the minimum configurable PIR instead of an HQoS derived zero operational PIR. The default behavior is to allow the operational PIR of the queue to remain the last configured value while setting the queue MBS to zero (preventing queuing of newly arriving packets). Retaining the previous PIR value may cause a momentary burst above an aggregate rate associated with the queue as it drains. Using the <b>limit-pir-zero-drain</b> command causes the queue to drain at the lowest rate possible (typically 1Kbps) which limits overrun situations.<br><br>The <b>no</b> form of this command reverts to default behavior. |

## lub-init-min-pir

|                    |                                                                                                                                                                                                                                                                                                                                                                                                                                                                                                                                                               |
|--------------------|---------------------------------------------------------------------------------------------------------------------------------------------------------------------------------------------------------------------------------------------------------------------------------------------------------------------------------------------------------------------------------------------------------------------------------------------------------------------------------------------------------------------------------------------------------------|
| <b>Syntax</b>      | <b>[no] lub-init-min-pir</b>                                                                                                                                                                                                                                                                                                                                                                                                                                                                                                                                  |
| <b>Context</b>     | config>qos>adv-config-policy>child-control>offered-measurement                                                                                                                                                                                                                                                                                                                                                                                                                                                                                                |
| <b>Description</b> | This command is used to initialize new queues associated with a LUB context to use a minimum PIR similar to the effect of the <b>limit-pir-zero-drain</b> command. When a queue is initially created in a LUB context it defaults to a zero value PIR until HQoS has an opportunity to configure an offered rate based operational PIR. Enabling this command forces a minimum rate operational PIR to be applied to the queue for use by enqueued packets prior to an HQoS iteration.<br><br>The <b>no</b> form of this command reverts to default behavior. |

## internal-scheduler-weight-mode

|                    |                                                                                                                                                                                                                                                                                       |
|--------------------|---------------------------------------------------------------------------------------------------------------------------------------------------------------------------------------------------------------------------------------------------------------------------------------|
| <b>Syntax</b>      | <b>internal-scheduler-weight-mode {default   force-equal   offered-load   capped-offered-load}</b><br><b>no internal-scheduler-weight-mode</b>                                                                                                                                        |
| <b>Context</b>     | config>qos>adv-config>policy>child-control>bandwidth-distribution                                                                                                                                                                                                                     |
| <b>Description</b> | This command overwrites the internal scheduler weight configured on a card level.                                                                                                                                                                                                     |
| <b>Parameters</b>  | <b>default</b> — Use card-level configuration<br><b>force-equal</b> — Queues are always equally weighted<br><b>offered-load</b> — Queues are weighted based on observed offered load<br><b>capped-offered-load</b> — Queues are weighted based on observed offered load capped by PIR |

### Show Commands

The command outputs in the following section are examples only; actual displays depend on supported functionality and user configuration.

#### adv-config-policy

- Syntax** `adv-config-policy [policy-name] [detail]`
- Context** show>qos
- Description** This command displays advanced QoS policy information.
- Parameters** *policy-name* — The name of the advanced QoS policy.  
**detail** — Displays detailed information about the advanced QoS policy.



# QoS ATM Traffic Descriptor Profiles

---

## In This Section

This section provides information to configure QoS Traffic Descriptor Profiles using the command line interface.

- [Overview](#)
- [Basic Configurations](#)
- [Default ATM-TD-Profile Policy Values](#)
- [Service Management Tasks](#)

## Overview

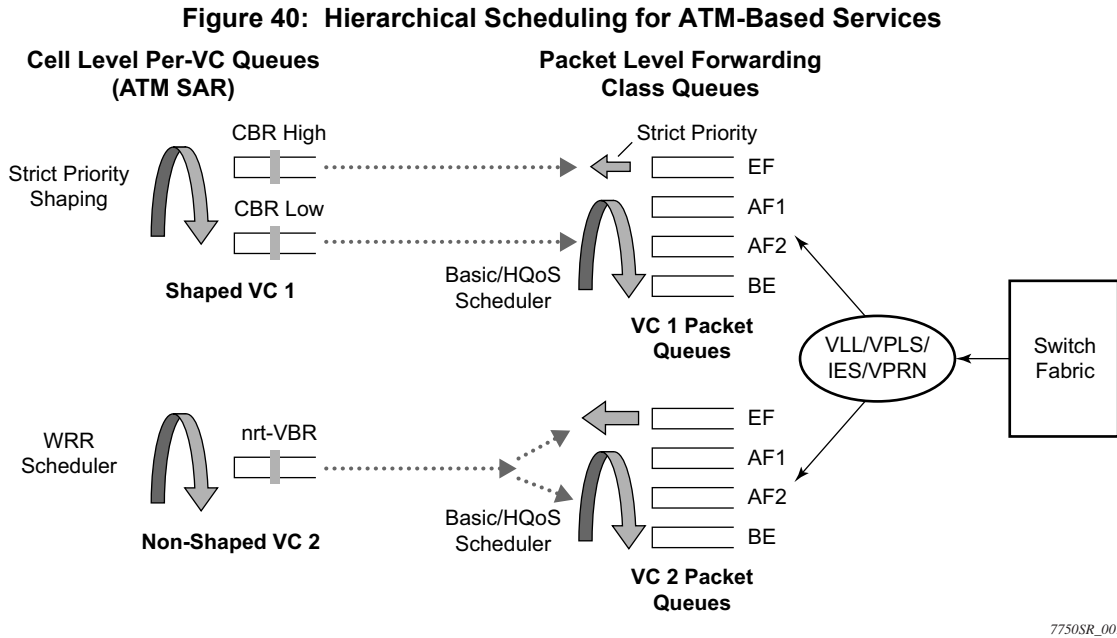
### ATM Traffic Descriptor Profiles

This section provides a description of support ATM QoS policy features. Each traffic descriptor defines the expected rates and characteristics of traffic.

### ATM Traffic Management

The router supports the ATM Forum Traffic Management Specification Version 4.1. The following sections describe the QoS features for ATM Permanent Virtual Connection (PVC).

## QoS Model for ATM-Based Services



This section provides a description of the QoS model used for ATM-based services on the router ATM MDA. Although slight variations of this model are applied on other ATM capable MDAs, the principles remain the same. An example of a VPLS Service with ATM SAP is shown in [Figure 40](#).

When Ethernet frames are sent over an ATM VC, the scheduling of data becomes hierarchical with two main levels: packet level scheduling and per-VC cell level scheduling.

At the first level, frames are queued on a per-CoS (or forwarding class), per-VC basis in order to achieve the proper class of service differentiation for the frames in the same VC. Each Ethernet frame is queued based on the VC dedicated forwarding class queue, as configured in the service egress QoS policy. The packet level scheduling can make use of HQoS scheduler policy in order to enforce aggregate bandwidth among a group of queues feeding an ATM VC or to enforce aggregation of bandwidth across all queues of all VCs at a given customer site.

The frame level scheduling is the same for other types of SAP (Ethernet, FR, and PPP) and all the features available on the service ingress and egress QoS policies can be applied.

At the second level, the segmented cells are queued in per-VC queues according to the service category of the ATM traffic descriptor profile applied to the ATM SAP. Scheduling at the ATM level enforces the priority and bandwidth sharing desired at the cell level.

Any discard decision are performed exclusively at the packet level where the context for the frame forwarding class and for the 802.1p bit mapping to a forwarding class is known. When a per-VC queue backs up, a back pressure scheme is applied such that the frames are held in the per-forwarding class packet queues dedicated to this VC.

This hierarchical scheduling of frames and cells of a given VC terminating on a VPLS instance provides the flexibility to apply policing and shaping on a per-forwarding class basis for the Ethernet frames of each VC as well as the option to shape the aggregate cell flow into the ATM VC back into the customer site.

This QoS model is applied to all router services which include an ATM SAP (VLL, VPLS, IES and VPRN).

## ATM Service Categories

The router supports the following service categories:

- CBR - Constant Bit Rate
- Rt-VBR - Real-Time Variable Bit Rate
- nrt-VBR - Non Real-Time Variable Bit Rate
- UBR/UBR+MIR - Unspecified Bit Rate with Minimum Cell Rate. UBR is a special case of UBR+MIR where MIR=0.

## ATM Traffic Descriptors and QoS Parameters

The router supports the following traffic descriptors for ATM.

**Table 48: ATM Traffic Descriptors**

| Service Category   | Traffic Descriptors                                                                                                                                                                                                                                                                                                |
|--------------------|--------------------------------------------------------------------------------------------------------------------------------------------------------------------------------------------------------------------------------------------------------------------------------------------------------------------|
| CBR                | P0_1 PIR in Kbps (applies to CLP=0 & CLP=1 flows)                                                                                                                                                                                                                                                                  |
| Rt-VBR and nrt-VBR | P0_1 and S0_1 PIR in Kbps (applies to CLP=0 & CLP=1 flows)<br>SIR in Kbps (applies to CLP=0 & CLP=1 flows)<br>MBS in cells (applies to CLP=0 and CLP=1 flows)<br>P0_1 and S0 PIR in Kbps (applies to CLP=0 & CLP=1 flows)<br>SIR in Kbps (applies to CLP=0 flow only)<br>MBS in cells (applies to CLP=0 flow only) |
| UBR/UBR+MIR        | P0_1 PIR in Kbps (applies to CLP=0 & CLP=1 flows)<br>MIR in Kbps (applies to CLP=0 & CLP=1 flows)                                                                                                                                                                                                                  |

### **Policing**

The policing option, when enabled, applies only for ingress traffic. Similarly, the shaping option, if enabled, applies only for egress traffic. For example, if a traffic descriptor has both options, policing and shaping enabled, the policing option is enforced for the ingress traffic, while the shaping option is enforced for the egress traffic. The policing option is valid for all service categories. The following ATM service category conformance definitions are supported:

- P0\_1 - CBR, UBR
- P0\_1andS0\_1 – VBR.1
- P0\_1andS0 – VBR.2
- P0\_1andS0\_Tag – VBR.3

### **Shaping**

- Ingress shaping — ATM layer ingress shaping is not supported. Packet level shaping is supported as per the service ingress QoS policy applied to the ATM SAP.
- Egress shaping — ATM layer egress shaping is supported for CBR, rt-VBR, and nrt-VBR VCs. A CBR VC is shaped to a single leaky bucket with parameter PIR. A rt-VBR VC or a nrt-VBR VC is shaped to two leaky buckets with parameters PIR and {SIR, BT}, where BT is the Burst Tolerance and is a function of the MBS parameters configured by the user in the traffic descriptor.

In the egress direction, packet level shaping is supported as per the service egress QoS policy applied to the ATM SAP.

### **ATM Queuing and Scheduling**

The router provides a per-VC queuing architecture in the ATM-capable MDAs. In the egress direction towards the ATM port, the scheduling priority at the ATM layer is as follows:

- CBR VCs are scheduled with strict priority over all other service categories
- rt-VBR VCs are scheduled next with strict priority over nrt-VBR and UBR VCs.
- nrt-VBR shaped VCs are scheduled next with strict priority over nrt-VBR unshaped VCs and UBR VCs.

- nrt-VBR unshaped VCs and UBR VCs are scheduled as a common class. Scheduling among these VCs is done using a WRR scheduler where the weight of each VC is determined by the configured SIR for nrt-VBR and by the MIR for UBR VCs. The scheduling is work-conserving, so each VC has access to excess bandwidth in proportion to its SIR/MIR. Under congestion, the performance of each VC degrades proportional to the weight of the VC.

### **Congestion Avoidance**

- PPD — An ATM cell discarded in the middle of an AAL5 packet makes the entire packet unusable. The PPD mechanism attempts to minimize the congestion problems that can occur at the higher layers (TCP) due to ATM cell discards.

With PPD, once a cell is discarded by the ATM policing function, no other cells for that PDU are accepted, with exception of the “tail cell” which is sent to inform the far end that the end of a frame has arrived.

PPD is enabled on ATM SAP part of an AAL5 SDU Apipe VLL service and on all services where the ATM SAP cell stream is re-assembled, i.e., IES, VPRN, VPLS, Epipe, and Apipe services.

- WRED — Congestion and potential discards are performed on per forwarding class basis in the SAP queues in the IOM, packets which are re-assembled in the ATM-capable MDAs take advantage of the application of the WRED congestion avoidance service queues associated with the ATM SAP.

Depending of the type of XMA or MDA which supports ATM encapsulation, other XMA or MDA specific packet congestion control mechanisms operating on per SAP queues in the XMA or MDA are also applied.

### **Basic Configurations**

A basic ATM QoS traffic descriptor profile must conform to the following:

- Each policy must have a unique policy ID.
- Default values can be modified but parameters cannot be deleted.

### **Create an ATM-TD-Profile QoS Policy**

Configuring and applying QoS policies and profiles other than the default policy is optional.

To create an ATM QoS traffic descriptor profile, define the following:

## Overview

- Assign a policy ID (policy number). The system will not dynamically assign an ID.
- Include a description. The description provides a brief overview of policy features.
- Configure traffic attributes of the ATM traffic profile.
- Determine whether egress shaping should occur.

The following displays an atm-td-profile policy configuration:

```
*A:ALA-48>config>qos>atm-td-profile# info

description "TEST ATM TD profile policy"
service-category nrt-vbr
traffic sir 4000 pir 5000
clp-tagging

*A:ALA-48>config>qos>atm-td-profile#
```

## Applying ATM-TD-Profile Policies

Apply ATM QoS traffic descriptor profiles to the following entities:

- [ATM VLL \(Apipe\) SAPs](#)
- [Epipe SAPs](#)
- [IES SAPs](#)
- [Ipipe SAPs](#)
- [VPRN SAPs](#)
- [VPLS SAPs](#)

### ATM VLL (Apipe) SAPs

Use the following CLI syntax to apply ATM QoS traffic descriptor profile policies to Apipe SAPs on ingress and egress. This command applies only to the 7750 SR and 7950 XRS.

```
CLI Syntax: config>service>apipe>sap# atm
 egress
 traffic-desc traffic-desc-profile-id
 ingress
 traffic-desc traffic-desc-profile-id
```

**Epipe SAPs**

Use the following CLI syntax to apply ATM QoS traffic descriptor profile policies to Epipe SAPs on ingress and egress.

```
CLI Syntax: config>service>epipe>sap# atm
 egress
 traffic-desc traffic-desc-profile-id
 ingress
 traffic-desc traffic-desc-profile-id
```

**IES SAPs**

Use the following CLI syntax to apply ATM QoS traffic descriptor profile policies to IES SAPs on ingress and egress.

```
CLI Syntax: config>service>ies>if>sap# atm
 egress
 traffic-desc traffic-desc-profile-id
 ingress
 traffic-desc traffic-desc-profile-id
```

**Ipipe SAPs**

Use the following CLI syntax to apply ATM QoS traffic descriptor profile policies to Ipipe SAPs on ingress and egress.

```
CLI Syntax: config>service>ipipe>sap# atm
 egress
 traffic-desc traffic-desc-profile-id
 ingress
 traffic-desc traffic-desc-profile-id
```

**VPRN SAPs**

Use the following CLI syntax to apply ATM QoS traffic descriptor profile policies to VPRN SAPs on ingress and egress. This command applies only to the 7750 SR and 7950 XRS.

```
CLI Syntax: config>service>vprn>if>sap# atm
 egress
 traffic-desc traffic-desc-profile-id
 ingress
 traffic-desc traffic-desc-profile-id
```

## VPLS SAPs

Use the following CLI syntax to apply ATM QoS traffic descriptor profile policies to VPLS SAPs on ingress and egress.

**CLI Syntax:**

```

config>service>vpls>sap# atm
egress
 traffic-desc traffic-desc-profile-id
ingress
 traffic-desc traffic-desc-profile-id

```

## Default ATM-TD-Profile Policy Values

The default ATM QoS traffic descriptor profile is identified as default. The default profile cannot be edited or deleted. The following displays default profile parameters:

**Table 49: ATM-TD-Profile Defaults**

| Field                                         | Default                      |
|-----------------------------------------------|------------------------------|
| atm-td-profile <i>traffic-desc-profile-id</i> | 1                            |
| description                                   | “Default Traffic Descriptor” |
| service-category                              | ubr                          |
| traffic                                       | no traffic                   |
| policing                                      | no policing                  |
| clp-tagging                                   | no clp-tagging               |
| descriptor-type                               | P0_1                         |
| shaping                                       | no shaping                   |

The following output displays the default configuration:

```

A:ALA-48>config>qos# info detail
...
#-----
echo "QoS Slope/Queue Policies Configuration"
#-----
 atm-td-profile 1 create
 description "Default Traffic Descriptor"
 service-category ubr
 no traffic
 no policing
 no clp-tagging

```



```

 descriptor-type P0_1
 no shaping
 exit
 atm-td-profile 2 create
 ...

A:ALA-48>config>qos#

```

## Service Management Tasks

This section discusses the following service management tasks:

- [Removing a Profile from the QoS Configuration](#)
- [Copying and Overwriting Profile](#)
- [Editing QoS Policies](#)

## Removing a Profile from the QoS Configuration

The default ATM traffic descriptor profile cannot be deleted.

```

A:ALA-48>config>qos# no atm-td-profile 1
MINOR: ATM #1206 Cannot change Default Traffic Descriptor
A:ALA-48>config>qos#

```

To delete an ATM QoS traffic descriptor profile, enter the following command:

**CLI Syntax:**    config>qos# no atm-td-profile *traffic-desc-profile-id*

**Example:**        config>qos# no atm-td-profile 2

## Copying and Overwriting Profile

You can copy an existing profile, rename it with a new profile ID value, or overwrite an existing profile ID. The overwrite option must be specified or an error occurs if the destination profile ID exists.

## Service Management Tasks

**CLI Syntax:** `config>qos> copy atm-td-profile src-prof dst-prof [overwrite]`

**Example:** `A:ALA-48>config>qos# copy atm-td-profile 2 3`  
MINOR: CLI destination (3) exists use {overwrite}.  
`A:ALA-48>config>qos# copy atm-td-profile 2 3 overwrite`  
`A:ALA-48>config>qos#`

## Editing QoS Policies

You can change existing policies and entries in the CLI. The changes are applied immediately to all services where this policy is applied. To prevent configuration errors copy the policy to a work area, make the edits, and then write over the original policy.

# ATM QoS Policy Command Reference

## Command Hierarchies

### Configuration Commands

```

config
 — qos
 — [no] atm-td-profile traffic-desc-profile-id
 — [no] clp-tagging
 — description description-string
 — no description
 — descriptor-type type
 — [no] policing
 — service-category service-category
 — [no] shaping
 — traffic [sir sir-val] [pir pir-val] [mir mir-val] [mbs mbs-val] [cdvt cdvt-val]
 — no traffic

```

### Operational Commands

```

config
 — qos
 — copy atm-td-profile src-prof dst-prof [overwrite]

```

### Show Commands

```

show
 — qos
 — atm-td-profile [traffic-desc-profile-id] [detail]
 — service
 — sap-using [ingress | egress] atm-td-profile td-profile-id

```

```

show
 — port [port-id] atm [detail]
 — port [port-id] atm connections [detail]
 — port [port-id] atm interface-connections [detail]
 — port [port-id] atm pvc [vpi/vci] [detail]
 — port [port-id] atm pvp [vpi] [detail]

```

— **port** [*port-id*] **atm pvt** [*vpi-range*] [**detail**]

## Command Descriptions

### Configuration Commands

#### Generic Commands

##### description

|                    |                                                                                                                                                                                                                                                                                                                                                             |
|--------------------|-------------------------------------------------------------------------------------------------------------------------------------------------------------------------------------------------------------------------------------------------------------------------------------------------------------------------------------------------------------|
| <b>Syntax</b>      | <b>description</b> <i>description-string</i><br><b>no description</b>                                                                                                                                                                                                                                                                                       |
| <b>Context</b>     | config>qos>atm-td-profile                                                                                                                                                                                                                                                                                                                                   |
| <b>Description</b> | <p>This command creates a text description stored in the configuration file for a configuration context.</p> <p>The <b>description</b> command associates a text string with a configuration context to help identify the context in the configuration file.</p> <p>The <b>no</b> form of this command removes any description string from the context.</p> |
| <b>Default</b>     | No description is associated with the configuration context.                                                                                                                                                                                                                                                                                                |
| <b>Parameters</b>  | <i>description-string</i> — A text string describing the entity. Allowed values are any string up to 80 characters long composed of printable, 7-bit ASCII characters excluding double quotes. If the string contains special characters (#, \$, spaces, etc.), the entire string must be enclosed within double quotes.                                    |

#### Operational Commands

##### copy

|                    |                                                                                                                                                                                                 |
|--------------------|-------------------------------------------------------------------------------------------------------------------------------------------------------------------------------------------------|
| <b>Syntax</b>      | <b>copy atm-td-profile</b> <i>src-prof dst-prof</i> [ <b>overwrite</b> ]                                                                                                                        |
| <b>Context</b>     | config>qos                                                                                                                                                                                      |
| <b>Description</b> | This command copies the source atm profile into the destination atm profile. If the destination profile was already defined, the keyword 'overwrite' must be appended for the copy to complete. |

The **copy** command is a configuration level maintenance tool used to create new profiles using existing profiles. It also allows bulk modifications to an existing profile with the use of the **overwrite** keyword.

**Parameters** **atm-td-profile** *src-prof dst-prof* — Indicates that the source profile ID and the destination profile ID are atm-td-profile IDs. Specify the source ID that the copy command will copy and specify the destination ID to which the command will duplicate the profile to a new or different profile ID.

**Values** 1 to 1000

**overwrite** — Specifies to replace the existing destination profile. Everything in the existing destination policy will be overwritten with the contents of the source policy. If **overwrite** is not specified, an error will occur if the destination profile ID exists.

```
A:ALA-48>config>qos# copy atm-td-profile 2 10
MINOR: CLI destination (10) exists use {overwrite}.
A:ALA-48>config>qos# copy atm-td-profile 2 10 overwrite
A:ALA-48>config>qos#
```

## ATM QoS Policy Commands

### atm-td-profile

**Syntax** [no] **atm-td-profile** *traffic-desc-profile-id*

**Context** config>qos

**Description** This command is used to configure an ATM traffic descriptor profile.

Traffic descriptor profiles are used to:

1. Define traffic management capabilities for ATM PVCCs.
2. Calculate the total bandwidth consumed on a given port by all ATM PVCC(s). The BW taken by a PVCC is equal to:
  - a. PIR for CBR PVCCs
  - b. SIR for rt-vbr and nrt-vbr PVCCs
  - c. MIR for UBR PVCC
3. Define ATM-level SAR scheduling

The default traffic descriptor is preconfigured and non-modifiable. It cannot be deleted. All other traffic descriptor profiles must be explicitly created before use. The create keyword must follow each new profile configuration.

Any changes made to the existing profile, using any of the sub-commands are applied immediately to all objects where this profile is applied (a small traffic interruption in data traffic will occur during the data plane reprogramming with the newly modified profile).

## ATM QoS Policy Command Reference

When many changes are required on a profile, it is recommended that the profile be copied to a work area profile ID. That work-in progress profile can be modified until complete and then written over the original profile-id. Use the `config qos copy` command to maintain profiles in this manner.

The weight assigned to each non-shaped PVCC in the Deficit Round Robin Scheduler depends on the service category and traffic rates (see [traffic](#) command for more details).

The **no** form of the command deletes a given traffic profile. The profile to be deleted must not be associated with any object (for example a SAP). If this condition is not met, the command will return an error.

|                   |                                                                                    |
|-------------------|------------------------------------------------------------------------------------|
| <b>Default</b>    | 1 — Default Traffic Descriptor (UBR, no traffic, no shaping)                       |
| <b>Parameters</b> | <i>traffic-desc-profile-id</i> — Index identifier for a traffic descriptor profile |
| <b>Values</b>     | 1 to 1000                                                                          |

### clp-tagging

|                    |                                                                                                                                                                                                                                                                                                                                                        |
|--------------------|--------------------------------------------------------------------------------------------------------------------------------------------------------------------------------------------------------------------------------------------------------------------------------------------------------------------------------------------------------|
| <b>Syntax</b>      | <b>[no] clp-tagging</b>                                                                                                                                                                                                                                                                                                                                |
| <b>Context</b>     | config>qos>atm-td-profile                                                                                                                                                                                                                                                                                                                              |
| <b>Description</b> | <p>This command controls the setting of the CLP bit in the ATM cell header for egress traffic on an IES or VPRN SAP.</p> <p>When enabled, traffic queued on expedited queues has the CLP bit set to zero, while traffic on non-expedited queues has the CLP bit set to one.</p> <p>The <b>no</b> form of the command sets the CLP bit set to zero.</p> |
| <b>Default</b>     | no clp-tagging                                                                                                                                                                                                                                                                                                                                         |

### descriptor-type

|                    |                                                                                                                                           |
|--------------------|-------------------------------------------------------------------------------------------------------------------------------------------|
| <b>Syntax</b>      | <b>descriptor-type {type}</b>                                                                                                             |
| <b>Context</b>     | config>qos>atm-td-profile                                                                                                                 |
| <b>Description</b> | This command is used to specify the type of the traffic descriptor profile as per ATM Forum Traffic Management Specification Version 4.1. |
| <b>Default</b>     | <a href="#">Table 50</a> defines default values of descriptor type based on a service category.                                           |

**Table 50: Descriptor Type Default Values**

| Service Category | Default Descriptor Type |
|------------------|-------------------------|
| CBR              | P0_1                    |

**Table 50: Descriptor Type Default Values (Continued)**

| Service Category  | Default Descriptor Type |
|-------------------|-------------------------|
| UBR               | P0_1                    |
| UBR with MIR      | P0_1                    |
| rt-VBR or nrt-VBR | P0_1andS0_1             |

**Parameters** *type* — defines interpretation of traffic parameters that are specified for this profile

**Values** P0\_1, P0\_1andS0\_Tag, P0\_1andS0, P0\_1andS0\_1

[Table 51](#) details these rules.

**Table 51: Descriptor Type Rate Interpretations**

| Descriptor Type | Rates Interpretation                                                                   | Applicable Service Categories |
|-----------------|----------------------------------------------------------------------------------------|-------------------------------|
| P0_1            | PIR applies to CLP=0 and CLP=1 cell flows                                              | CBR, UBR, UBR with MIR        |
| P0_1andS0_1     | PIR applies to CLP=0 and CLP=1 cell flows<br>SCR applies to CLP=0 and CLP=1 cell flows | rt-VBR and nrt-VBR            |
| P0_1andS0       | PIR applies to CLP=0 and CLP=1 cell flows<br>SCR applies to CLP=0 cell flow            | rt-VBR and nrt-VBR            |

Setting descriptor type to a value not compatible with the service category (as defined in the above table) is an error.

## policing

**Syntax** [no] policing

**Context** config>qos>atm-td-profile

**Description** This command determines whether ingress traffic is policed. Policing is valid for CBR, RT-VBR and NRT-VBR. This is cell-based policing.

**Default** disabled

## service-category

- Syntax** `service-category service-category`
- Context** `config>qos>atm-td-profile`
- Description** This command is used to configure an ATM service category attribute of an ATM traffic descriptor profile per ATM Forum Traffic Management Specification Version 4.1.

The router supports the ATM service categories on ATM-capable MDAs listed in [Table 52](#).

**Table 52: ATM Service Categories**

| Service Category | Description                                                                                                                  |
|------------------|------------------------------------------------------------------------------------------------------------------------------|
| CBR              | Constant Bit Rate                                                                                                            |
| rt-VBR           | real time Variable Bit Rate                                                                                                  |
| nrt-VBR          | non-real time Variable Bit Rate                                                                                              |
| UBR              | Unspecified Bit Rate without Minimum Desired Cell Rate (defined by specifying service category to be ubr, and MIR of 0)      |
| UBR (with MIR)   | Unspecified Bit Rate with non-zero Minimum Desired Cell Rate (defined by specifying service category to be ubr, and MIR > 0) |

Changing the service category of a profile will reset all traffic attributes to their defaults (see the [traffic](#) command) and will cause reprogramming of the data path (with a small impact on user traffic) and a reset of VC statistics for all VCs using this traffic descriptor profile.

- Default** `ubr`

## shaping

- Syntax** `[no] shaping`
- Context** `config>qos>atm-td-profile`
- Description** This command enables cell level shaping when the ATM traffic descriptor profile is applied to an ATM SAP queue. Shaping is only applied in the egress queue of the ATM SAP. Shaping cannot be enabled on an ATM SAP with the UBR service category.

The **no** form of this command disables shaping.

- Default** The default is determined by the service category. [Table 53](#) lists which defaults apply for shaping depending on the service category.



**Table 53: Default Shaping Values**

| Applicable Service Category | Default Shaping Value | Comments                                                                     |
|-----------------------------|-----------------------|------------------------------------------------------------------------------|
| UBR                         | disabled              | Shaping cannot be enabled                                                    |
| CBR                         | enabled               | Shaping cannot be disabled when the profile is applied to ATM SAP on ATM MDA |
| rt-VBR                      | enabled               | Shaping cannot be disabled when applied to ATM SAP on ATM MDA                |
| nrt-VBR                     | enabled               |                                                                              |

## traffic

**Syntax** `traffic [sir sir-val [pir pir-val] [mir mir-val] [mbs mbs-val] [cdvt cdvt-val]`  
**no traffic**

**Context** config>qos>atm-td-profile

**Description** This command is used to configure traffic attributes of an ATM traffic profile as per ATM Forum Traffic Management Specification Version 4.1.

The traffic parameters of a traffic descriptor that are configurable depends on the service category of this traffic descriptor profile (see the [service-category](#) command).

[Table 54](#) defines which traffic descriptor parameters are applicable for what service category and what are configuration rules between the parameters. **Y** indicates the parameter can be configured for a given service category and will be defaulted if not provided, an **N/A** indicates the parameter cannot be configured for a given service category (an error will be returned). If an applicable parameter is not specified, the current value will be preserved.

**Table 54: Traffic Descriptor Parameter Support by Service Category**

| Service Category | SIR | PIR               | MBS | MIR | CDVT |
|------------------|-----|-------------------|-----|-----|------|
| CBR              | N/A | Y                 | N/A | N/A | Y    |
| rt-VBR           | Y   | Y (must be >=SIR) | Y   | N/A | Y    |
| Nrt-VBR          | Y   | Y (must be >=SIR) | Y   | N/A | Y    |
| UBR              | N/A | Y                 | N/A | N/A | N/A  |

**Table 54: Traffic Descriptor Parameter Support by Service Category (Continued)**

| Service Category | SIR | PIR                    | MBS | MIR                        | CDVT |
|------------------|-----|------------------------|-----|----------------------------|------|
| UBR with MIR     | N/A | Y (must be $\geq$ MIR) | N/A | Y (non-zero MIR specified) | N/A  |

Configuring PIR for traffic descriptor profiles for UBR and UBR with MIR service categories has no impact on a traffic contract when a PVCC using that profile resides on an m4-atmoc12/3-sfp XMA or MDA. On this XMA or MDA SAR ignores PIR (defacto treating each UBR as it would have a PIR of max. line rate). The default pir value for UBR and UBR with MIR reflects this behavior.

When a traffic descriptor profile is used to define egress scheduling, the following describes how traffic rates are used to derive scheduling weight:

1. UBR PVCCs (i.e., MIR = 0) are assigned weight value of 1
2. UBR with MIR PVCCs are assigned weight value in the inclusive range from 1 to 255 based on the MIR rate.
3. rt-VBR and nrt-VBR PVCCs are assigned weight value in the inclusive range from 1 to 255 based on the SCR rate
4. CBR PVCCs are assigned weight value in the inclusive range from 1 to 255 based on the PIR rate

The scheduling weight is derived from the traffic rate based on the following formula:

If traffic rate  $\leq$  32 Kbps, then weight = 1

If 32 Kbps < traffic rate < 8160 Kbps, then weight = floor (traffic rate / 32)

If traffic rate  $\geq$  8160 Kbps, then weight = 255

The configuration of weight unit (32 Kbps) is left for future releases.

Since the SAR operates in cells/second with 1 cell granularity, PIR and SCR values programmed need to be converted to cells per second. When converting values to be used for scheduler, the result is rounded up to the next cell when required by conversion.

When any of SIR, PIR, or MIR is greater than the physical maximum port/channel capacity for a given PVCC, then the maximum physical port/channel capacity is used in BW accumulation and when configuring the H/W for that PVCC.

Hardware-enforceable mbs is in the inclusive range from 3 to 256 000 cells. Any value outside of that range will be accepted and rounded up/down to the minimum/maximum enforceable value.

The **no** form of the command restores traffic parameters to their defaults for a given service category.

By default ATM traffic parameters are listed in [Table 55](#) in kbps.

**Table 55: ATM Traffic Parameter Defaults**

| Service Category                    | Traffic Parameter Defaults |
|-------------------------------------|----------------------------|
| CBR:                                |                            |
| PIR                                 | 0                          |
| rt-VBR and nrt-VBR                  |                            |
| PIR                                 | 0                          |
| SCR                                 | 0                          |
| MBS                                 | 32                         |
| UBR (by default UBR is without MIR) |                            |
| PIR                                 | 0                          |
| MIR                                 | 0                          |

- Parameters**
- sir** *value* — Sustained Information Rate (including cell overhead) in kilobits per second.  
**Values** 0 to 4294967295
  - pir** *value* — Peak Information Rate (including cell overhead) in kilobits per second.  
**Values** 0 to 4294967295
  - mir** *value* — Minimum Desired Information Rate (including cell overhead) in kilobits per second.  
**Values** 0 to 4294967295
  - mbs** *value* — Maximum Burst Size in cells  
**Values** 0 to 4294967295
  - cdvt** *cdvt-val* — The Cell Delay Variation Tolerance (CDVT), in microseconds.  
**Default** Depending upon a given service category:  
 CBR/RT-VBR/NRT-VBR 250  
**Values** 0 to 4294967295

**Show Commands**

The command outputs in the following section are examples only; actual displays depend on supported functionality and user configuration.

## atm-td-profile

- Syntax** `atm-td-profile [traffic-desc-profile-id] [detail]`
- Context** `show>qos`
- Description** This command displays ATM traffic descriptor profile information.
- Parameters** *traffic-desc-profile-id* — Displays the ATM traffic descriptor profile.  
  - Values** 1 to 1000
  - detail** — Displays detailed policy information including policy associations.
- Output** **ATM TD Profile Output** — [Table 56](#) describes ATM traffic descriptor profile show command output.

**Table 56: ATM Traffic Descriptor Profile Command Output Fields**

| Label                         | Description                                                                                           |
|-------------------------------|-------------------------------------------------------------------------------------------------------|
| Maximum Supported Profiles    | Displays the maximum number of ATM traffic descriptor profiles that can be configured on this system. |
| Currently Configured Profiles | Displays the number of currently configured ATM traffic descriptor profiles on this system.           |
| TDP-ID                        | The ID that uniquely identifies the traffic descriptor policy.                                        |
| Description                   | A text string that helps identify the policy's context in the configuration file.                     |
| Service Category              | Displays the ATM service category.                                                                    |
| SCR                           | Displays the sustained cell rate in Kbps.                                                             |
| PIR                           | Displays the peak cell rate in Kbps.                                                                  |
| MIR                           | Displays the Minimum Desired Cell Rate in Kbps.                                                       |
| MBS                           | Displays the maximum burst size in cells.                                                             |
| Shaping                       | Displays whether shaping is enabled or disabled for the traffic descriptor profile.                   |
| Entities using TDP-ID         | Displays the number of entities using the ATM traffic descriptor.                                     |
| -                             | Indicates that the parameter is not applicable for the configured service category.                   |

### Sample

```
A:ALA-48>config>qos>atm-td-profile# show qos atm-td-profile
=====
Traffic Descriptor Profiles
```

```

=====
Maximum Supported Profiles : 1000
Currently Configured Profiles : 3

TDP-id Description
 Service Category SCR PIR MIR MBS

1 Default Traffic Descriptor
 UBR - 0 0 -

2 Default Traffic Descriptor
 NRT_VBR 4000 5000 - 32

10 Default Traffic Descriptor
 NRT_VBR 4000 5000 - 32
=====
A:ALA-48>config>qos>atm-td-profile#

A:ALA-48>config>qos>atm-td-profile# show qos atm-td-profile 10 detail
=====
Traffic Descriptor Profile (10)
=====

TDP-id Description
 Service Category SCR PIR MIR MBS

10 Default Traffic Descriptor
 NRT_VBR 4000 5000 - 32

TDP details

Shaping : disabled

Entities using TDP-10

=====
A:ALA-48>config>qos>atm-td-profile#

```

### sap-using

- Syntax**     **sap-using** [**ingress** | **egress**] **atm-td-profile** *td-profile-id*
- Context**    show>service
- Description** Displays **atm-td-profile** SAP information.  
  
If no optional parameters are specified, the command displays a summary of all defined SAPs.  
  
The optional parameters restrict output to only SAPs matching the specified properties.
- Parameters** **ingress** — Specifies matching an ingress policy.  
**egress** — Specifies matching an egress policy.

## ATM QoS Policy Command Reference

**qos-policy** *qos-policy-id* — The ingress or egress QoS Policy ID for which to display matching SAPs.

**Values** 1 to 65535

**filter** *filter-id* — The ingress or egress Filter Policy ID for which to display matching SAPs.

**Values** 1 to 65535

*sap-id* — Specifies the physical port identifier portion of the SAP definition.

**Values** The following values apply to the 7750 SR and 7950 XRS:

|                |            |                                                                                                       |
|----------------|------------|-------------------------------------------------------------------------------------------------------|
| <i>sap-id:</i> | null       | [ <i>port-id</i>   <i>bundle-id</i>   <i>bpgrp-id</i>   <i>lag-id</i>   <i>aps-id</i> ]               |
|                | dot1q      | [ <i>port-id</i>   <i>bundle-id</i>   <i>bpgrp-id</i>   <i>lag-id</i>   <i>aps-id</i> ]: <i>qtag1</i> |
|                | qinq       | [ <i>port-id</i>   <i>bundle-id</i>   <i>bpgrp-id</i>   <i>lag-id</i> ]: <i>qtag1.qtag2</i>           |
|                | atm        | [ <i>port-id</i>   <i>aps-id</i> ][: <i>vpi/vci</i>   <i>vpi</i>   <i>vpi1.vpi2</i> ]                 |
|                | frame      | [ <i>port-id</i>   <i>aps-id</i> ]: <i>dldci</i>                                                      |
|                | cisco-hdlc | <i>slot/mda/port.channel</i>                                                                          |
|                | cem        | <i>slot/mda/port.channel</i>                                                                          |
|                | ima-grp    | <i>bundle-id</i> [: <i>vpi/vci</i>   <i>vpi</i>   <i>vpi1.vpi2</i> ]                                  |
|                | port-id    | <i>slot/mda/port</i> [ <i>.channel</i> ]                                                              |
|                | bundle-id  | <i>bundle-type-slot/mda.bundle-num</i>                                                                |
|                |            | <i>bundle</i> keyword                                                                                 |
|                |            | <i>type</i> ima, ppp                                                                                  |
|                |            | <i>bundle-num</i> 1 to 256                                                                            |
|                | bpgrp-id   | <i>bpgrp-type-bpgrp-num</i>                                                                           |
|                |            | <i>bpgrp</i> keyword                                                                                  |
|                |            | <i>type</i> ima, ppp                                                                                  |
|                |            | <i>bpgrp-num</i> 1 to 1280                                                                            |
|                | aps-id     | <i>aps-group-id</i> [ <i>.channel</i> ]                                                               |
|                |            | <i>aps</i> keyword                                                                                    |
|                |            | <i>group-id</i> 1 to 64                                                                               |
|                | ccag-id    | <i>ccag-id.path-id</i> [ <i>cc-type</i> ]: <i>cc-id</i>                                               |
|                |            | <i>ccag</i> keyword                                                                                   |
|                |            | <i>id</i> 1 to 8                                                                                      |
|                |            | <i>path-id</i> a, b                                                                                   |
|                |            | <i>cc-type</i> .sap-net, .net-sap                                                                     |
|                |            | <i>cc-id</i> 0 to 4094                                                                                |
|                | lag-id     | <i>lag-id</i>                                                                                         |
|                |            | <i>lag</i> keyword                                                                                    |

## QoS ATM Traffic Descriptor Profiles

|       |    |                                 |
|-------|----|---------------------------------|
|       | id | 1 to 800                        |
| qtag1 |    | 0 to 4094                       |
| qtag2 |    | *, 0 to 4094                    |
| vpi   |    | NNI: 0 to 4095<br>UNI: 0 to 255 |
| vci   |    | 1, 2, 5 to 65535                |
| dlci  |    | 16 to 1022                      |

The following values apply to the 7450 ESS:

### Values

|               |                |                                                        |
|---------------|----------------|--------------------------------------------------------|
| <i>sap-id</i> | null           | [ <i>port-id</i>   <i>lag-id</i> ]                     |
|               | dot1q          | [ <i>port-id</i>   <i>lag-id</i> ]: <i>qtag1</i>       |
|               | qinq           | [ <i>port-id</i>   <i>lag-id</i> ]: <i>qtag1.qtag2</i> |
|               | frame          | [ <i>port-id</i> ]: <i>dlci</i>                        |
|               | port-id        | slot/mda/port[.channel]                                |
|               | ccag-id        | <i>ccag-id.path-id[cc-type]:cc-id</i>                  |
|               | ccag           | keyword                                                |
|               | <i>id</i>      | 1 to 8                                                 |
|               | <i>path-id</i> | a, b                                                   |
|               | <i>cc-type</i> | .sap-net, .net-sap                                     |
|               | <i>cc-id</i>   | 0 to 4094                                              |
|               | lag-id         | <i>lag-id</i>                                          |
|               | lag            | keyword                                                |
|               | <i>id</i>      | 1 to 800                                               |
|               | qtag1          | 0. to 4094                                             |
|               | qtag2          | *, 0 to 4094                                           |
|               | dlci           | 16 to 1022                                             |

**interface** — Specifies matching SAPs with the specified IP interface.

*ip-addr* — The IP address of the interface for which to display matching SAPs.

**Values** 1.0.0.0 to 223.255.255.255

*ip-int-name* — The IP interface name for which to display matching SAPs.

*td-profile-id* — Profile ID that identifies a specific profile to display.

**Output** **Show Service SAP** — [Table 57](#) describes show service SAP output fields.

**Table 57: SAP Output Fields**

| Label    | Description                                                     |
|----------|-----------------------------------------------------------------|
| Port ID  | The ID of the access port where the SAP is defined.             |
| Svc ID   | The service identifier.                                         |
| SapMTU   | The SAP MTU value.                                              |
| I.QoS    | The SAP ingress QoS policy number specified on the ingress SAP. |
| I.MAC/IP | The MAC or IP filter policy ID applied to the ingress SAP.      |
| E.QoS    | The SAP egress QoS policy number specified on the egress SAP.   |
| E.Mac/IP | The MAC or IP filter policy ID applied to the egress SAP.       |
| A.Pol    | The accounting policy ID assigned to the SAP.                   |
| Adm      | The desired state of the SAP.                                   |
| Opr      | The actual state of the SAP.                                    |

**Sample Output**

```
A:ALA-48>config>service>ies# show service sap-using sap 1/3/2:244/1
=====
Service Access Points Using Port 1/3/2:15990785
=====
PortId SvcId I.QoS I.Fltr E.QoS E.Fltr A.Pol Adm Opr

1/3/2:244/1 89 1 none 1 none none Up Down

Number of SAPs : 1

A:ALA-48>config>service>ies#
```

## port

**Syntax**    **port** [*port-id*] **atm**  
**port** [*port-id*] **atm connections**  
**port** [*port-id*] **atm interface-connections**  
**port** [*port-id*] **atm pvc**  
**port** [*port-id*] **atm pvp**  
**port** [*port-id*] **atm pvt**

**Context**    show

**Description**    This command displays port or channel information.

**Parameters**    *port-id* — Specifies the physical port ID.



|                |                                                                              |         |
|----------------|------------------------------------------------------------------------------|---------|
| <i>port-id</i> | <i>slot/mda/port[.channel]</i><br><i>slot[/mda[/port[.sonet-sdh-index]]]</i> |         |
| eth-sat-id     | esat-id/slot/port                                                            |         |
|                | esat                                                                         | keyword |
|                | id                                                                           | 1 to 20 |
| pxc-id         | pxc-id.sub-port                                                              |         |
|                | pxc                                                                          | keyword |
|                | id                                                                           | 1 to 64 |
|                | sub-port                                                                     | a, b    |

**Values** The following slot values apply to the 7750 SR and 7950 XRS:

- 7750 SR12: 1 - 10
- 7750 SR7: 1 - 5
- 7750 SR1: 1
- 7750 SR-c12

**Values** The following slot values apply to the 7450 ESS:

- 7450 ESS7: 1 - 5
- 7450 ESS1: 1

MDA Values: 1, 2  
Port Values: 1 to 60 (depending on the MDA)

**Values** The following channelized port values apply to the 7750 SR and 7950 XRS channelized MDAs:

|                |                                                                         |
|----------------|-------------------------------------------------------------------------|
| M1-CHOC12-SFP: | slot/mda/port. 1 to 4.1 to 3.1 to 28.24<br>For example, 7/2/1.1.1.28.24 |
| M12-DS3:       | slot/mda/port. 1 to 28.24<br>For example, 7/1/1.1.1                     |

**connections** — Display ATM connection information

**interface-connection** — Display ATM interface connection information

**pvc** — Displays ATM port PVC information

**pvp** — Displays ATM port PVP information

**pvt** — Displays ATM port PVT information

*vpi* — Specifies the ATM network virtual path identifier (VPI) for this PVC.

*vci* — Specifies the ATM network virtual channel identifier (VCI) for this PVC.

**detail** — Provides detailed information.

**Output** **Port ATM PVC Detail Output** — The following table describes port ATM PVC detail output fields.

**Table 58: Show Port ATM PVC VPI/VCI Detail Output Fields**

| <b>Label</b>    | <b>Description</b>                                                                                                                                                                                                                                                        |
|-----------------|---------------------------------------------------------------------------------------------------------------------------------------------------------------------------------------------------------------------------------------------------------------------------|
| Port Id         | Displays the port ID.                                                                                                                                                                                                                                                     |
| VPI/VCI         | Displays the VPI/VCI values.                                                                                                                                                                                                                                              |
| Admin State     | Displays the administrative state of the interface connection.                                                                                                                                                                                                            |
| Oper State      | Indicates the status of the ATM interface.                                                                                                                                                                                                                                |
| OAM State       | Indicates the OAM operational status of ATM connections.<br>ETE indicates end-to-end connection.<br>AIS denotes alarm indication signal.<br>RDI denotes for remote defect indication.<br>AIS-LOC indicates the alarm was due to loss of continuity of periodic loopbacks. |
| Encap Type      | Indicates the encapsulation type.                                                                                                                                                                                                                                         |
| Owner           | Identifies the system entity that owns a specific ATM connection.                                                                                                                                                                                                         |
| AAL Type        | Displays ATM Adaptation Layer 5 (AAL5) information.                                                                                                                                                                                                                       |
| Endpoint Type   | Displays the endpoint type.                                                                                                                                                                                                                                               |
| Cast Type       | Indicates the connection topology type.                                                                                                                                                                                                                                   |
| Type            | Indicates the connection type.                                                                                                                                                                                                                                            |
| Ing. Td Idx     | Specifies the ATM traffic descriptor profile that applies to the receive direction of the interface connection.                                                                                                                                                           |
| Egr. Td Idx     | Specifies the ATM traffic descriptor profile that applies to the transmit direction of the interface connection.                                                                                                                                                          |
| Last Changed    | Indicates the date and time when the interface connection entered its current operational state.                                                                                                                                                                          |
| Octets          | Displays the number of input and output octets.<br>HEC discarded cells are not included in the input octet numbers.                                                                                                                                                       |
| Cells           | Displays the number of input and output cells.<br>HEC discarded cells are not included in the input cell numbers.                                                                                                                                                         |
| Packets         | Displays the number of input and output packets.<br>Packets discarded due to HEC or oversize discards are not counted.<br>CRC errored are also in the packet counts and display on the VC level statistics but not on the port level.                                     |
| Dropped Packets | Displays the number of packets dropped by the ATM SAR device.                                                                                                                                                                                                             |

**Table 58: Show Port ATM PVC VPI/VCI Detail Output Fields (Continued)**

| Label               | Description                                                                                                                         |
|---------------------|-------------------------------------------------------------------------------------------------------------------------------------|
| CRC-32 Errors       | Displays the number of valid AAL-5 SDUs and AAL-5 SDUs with CRC-32 errors received by the AAL-5 VCC.                                |
| Reassembly Timeouts | Displays the number of reassembly timeout occurrences.                                                                              |
| Over Sized SDUs     | Displays the total number of oversized SDU discards.                                                                                |
| AIS                 | Displays the number of AIS cells transmitted and received on this connection for both end to end and segment.                       |
| RDI                 | Displays the number of RDI cells transmitted and received on this connection for both end to end and segment.                       |
| Loopback            | Displays the number of loopback requests and responses transmitted and received on this connection for both end to end and segment. |
| CRC-10 Errors       | Displays the number of cells discarded on this VPL with CRC 10 errors.                                                              |
| Other               | Displays the number of OAM cells that are received but not identified.                                                              |

**Sample Output**

```
A:ALA-1# show port 1/1/2 atm pvc 0/500 detail
=====
ATM Endpoint
=====
Port Id : 1/1/2 VPI/VCI : 0/500
Admin State : up Oper state : down
OAM State : ETE-AIS Encap Type : llc
Owner : SAP AAL Type : AAL-5
Endpoint Type : PVC Cast Type : P2P
Ing. Td Idx : 5 Egr. Td Idx : 3
Last Changed : 02/14/2007 14:15:12
=====
ATM Statistics
=====
 Input Output

Octets 0 0
Cells 0 0
=====
AAL-5 Packet Statistics
=====
 Input Output

Packets 0 0
Dropped Packets 0 0
CRC-32 Errors 0
Reassembly Timeouts 0
Over Sized SDUs 0
=====
ATM OAM Statistics
```

## ATM QoS Policy Command Reference

```
=====
 Input Output

AIS 0 0
RDI 0 0
Loopback 0 0
CRC-10 Errors 0 0
Other 0 0
=====
A:ALA-1#
```

# Named Pools

---

## In This Section

This section provides information to configure Named Pools QoS policies using the command line interface.

Topics in this section include:

- [Overview](#)
- [Basic Configuration](#)

## Overview

The named buffer pool feature allows for the creation of named buffer pools at the XMA, MDA and port level. Named pools allow for a customized buffer allocation mode for ingress and egress queues that goes beyond the default pool behavior.

Named pools are defined within a named pool policy. The policy contains a q1-pools context which is used to define port allocation weights and named pools for buffer pools on Q1 based IOMs (all IOMs that are currently supported). The policy may be applied at either the port or XMA or MDA level at which time the pools defined within the policy are created on the port or XMA/MDA. When the policy is applied at the XMA or MDA level, XMA or MDA named pools are created. XMA or MDA named pools will typically be used when either a pool cannot be created per port or when the buffering needs of queues mapped to the pool are not affected by sharing the pool with queues from other ports. XMA or MDA named pools allow buffers to be efficiently shared between queues on different ports mapped to the same pool. However, XMA or MDA named pools do present the possibility that very active queues on one port could deplete buffers in the pool offering the possibility that queues on other ports experiencing buffer starvation. Port named pools are created when the policy is applied at the port level and allow for a more surgical application of the buffer space allocated for a physical port. XMA or MDA pool names do not need to be unique. If a name overlaps exists, the port pool will be used. The same pool name may be created on multiple ports on the same XMA or MDA.

The named pool policy is applied at the XMA or MDA ingress and egress level and at the ingress and egress port level. Each XMA or MDA within the system is associated with a forwarding plane traffic manager that has support for a maximum of 57 buffer pools. The following circumstances affect the number of named pools that can be created per XMA or MDA (these circumstances may be different between ingress and egress for the XMA or MDA):

- The forwarding plane can be associated with multiple XMAs or MDAs (each XMA or MDA has its own named pools).
- A single system level pool for system created queues is allocated.
- Each system must have default pools for queues that are not explicitly mapped or are incorrectly mapped to a named pool.
- Default pools for most IOM types (separate for ingress and egress).
- Access pool.
- Network pool.
- The number of named per-port pools is dependent on the number of ports the XMA or MDA supports which is variable per XMA or MDA type.
- Per-port named pools cannot be used by ingress network queues, but pools defined in a named pool policy defined on an ingress all network port are still created.
  - Ingress network queues use the default network pool or XMA or MDA named pools.
  - Ingress port buffer space allocated to network mode ports is included in the buffers made available to ingress XMA or MDA named pools.
  - Ingress port buffer space on channelized ports associated with network bandwidth is included in the buffers made available to ingress XMA or MDA named pools
  - Ingress port named pools are only allocated buffers when the port is associated with some access mode bandwidth
- Per-port named pools on ports aggregated into a LAG are still created per physical port
- Default, named XMA or MDA and named per-port pools are allocated regardless of queue provisioning activity associated with the pool

If the named pool policy is applied to an XMA or MDA or port that cannot create every pool defined in the policy, the policy application attempt will fail. Any pre-existing named pool policy on the XMA, MDA, or port will not be affected by the failed named pool policy association attempt.

When buffer pools are being created or deleted, individual queues may need to be moved to or from the default pools. When a queue is being moved, the traffic destined to the queue is first moved temporarily to a ‘fail-over’ queue. Then the queue is allowed to drain. Once the queue is drained, the statistics for the queue are copied. The queue is then returned to the free queue list. A new queue is then created associated with the appropriate buffer pool, the saved stats are loaded to the queue and then the traffic is moved from the fail-over queue to the new queue. While the traffic is being moved between the old queue to the fail-over queue and then to the new queue, some out of order forwarding may be experienced. Also, any traffic forwarded through the fail-over queue will not be accounted for in billing or accounting statistics. A similar action is performed for queues that have the associated pool name added, changed or removed. This only applies to where fail-over queues are currently supported.

The first step in allowing named pools to be created for an XMA or MDA is to enable ‘named-pool-mode’ at the IOM level (config card slot-number named-pool-mode). Named pool mode may be enabled and disabled at anytime. When MDAs are currently provisioned on the IOM, the IOM is reset to allow all existing pools to be deleted and the new default, named XMA or MDA and named port pools to be created and sized. If MDAs are not currently provisioned (as when the system is booting up), the IOM is not reset. When named pool mode is enabled, the system changes the way that default pools are created. The system no longer creates default pools per port, instead, a set of per forwarding plane level pools are created that are used by all queues that are not explicitly mapped to a named pool.

After the IOM has been placed into named pool mode, a named pool policy must be associated with the ingress and egress contexts of the XMA or MDA or individual ports on the XMA or MDA for named pools to be created. There are no named pools that exist by default.

Each time the default pool reserve, aggregate XMA or MDA pool limit or individual pool sizes is changed, buffer pool allocation must be re-evaluated.

Pools may be deleted from the named pool policy at anytime. Queues associated with removed or non-existent pools are mapped to one of the default pools based on whether the queue is access or ingress. The queue is flagged as ‘pool-orphaned’ until either the pool comes into existence, or the pool name association is changed on the pool.

An ingress or egress port managed buffer space is derived from the port’s active bandwidth. Based on this bandwidth value compared to the other port’s bandwidth value, the available buffer space is given to each port to manage. It may be desirable to artificially increase or decrease this bandwidth value to compensate for how many buffers are actually needed on each port. If one port has very few queues associated with it and another has many queues associated, the commands in the port’s “modify-buffer-allocation-rate” CLI context may be used to move one port’s bandwidth up, and another port’s bandwidth down. As provisioning levels change between ports, the rate modification commands may be used to adapt the buffer allocations per port.

Buffer allocation rate modification is supported for both standard and named pool mode buffer allocation methods.

The system allocates buffers based on the following criteria:

- “named-pool-mode” setting on the IOM.
- Amount of path bandwidth on channelized ports.
- Existence of queues provisioned on the port or channel.
- Current speed of each port.
- Each ports “ing-percentage-of-rate” and “egr-percentage-of-rate” command setting.
- The port-allocation-weights setting for default, XMA or MDA, and port.
- The ports division between network and access bandwidth.
- Each individual named pool’s network-allocation-weight and access-allocation-weight.

System reserved named pool names (cannot be used when configuring a named pool) are: **default**, **SAP Shared** and **MC Path Mgmt**.

## Named Pool Mode for IOM3-XP Card

IOM3-XP has one forwarding complex for MDA1 and MDA2. The total available buffer space is divided in the ingress and egress direction. The total ingress buffer space is shared by both MDAs in the ingress direction and the total egress buffer space is shared by both MDAs in the egress direction.

Each XMA or MDA can use a different named pool policy.

Network ingress queues can only use the MDA1 named pools. If named pools are configured for MDA2 they will not be used by network ingress queues. Network ingress queues configured to use MDA2 named pools will be considered pool orphaned. To check for orphan queues, use the command **show mda mda qos ingress orphaned-queues**. The same restriction applies for SAP shared queues using named pools.

Each named pool policy can have a maximum of 57 named pools configured.

The total number of named pools that can be configured per IOM3 is 245. The named pool usage per card can be checked with the **tools dump resource-usage card 1 all | match pools** command.

```
*A:PE# tools dump resource-usage card 1 all | match "Named Pools"
 Dynamic Q2 Named Pools 245 0 245
Dynamic Q2 Named Pools (in use by Ingress) 0
Dynamic Q2 Named Pools (in use by Egress) 0
```



```

Ingress Q1 Named Pools 0 0 0
Egress Q1 Named Pools 0 0 0
*A:PE#

```

## Basic Configuration

A basic named pool QoS policy must conform to the following:

- Default values can be modified but parameters cannot be deleted.

## Create a Named Pool QoS Policy

To create a new named pool policy, the following must be defined:

- A named pool policy ID value. The system will not dynamically assign a value.

## Named pool Configuration Procedure

Step 1: Configure the named pool policy.

```

CLI Syntax: config# configure qos named-pool-policy 3pools create
 q1-pools
 pool p1 create
 exit
 pool p2 create
 exit
 pool p3 create
 exit
 exit all

```

Step 2: Apply the named pool policy on ingress and/or egress XMA or MDA and/or port.

Since the named pool mode is not yet active on the card, all queues are drawing buffer from the default pool.

Queue to named pool association.

Configure the queues to get buffers from a named pool.

Configure the named pool policy.

## Overview

**CLI Syntax:**

```
config# network queue
configure qos
 copy network-queue default 15
 network-queue 15
 queue 1 pool p1
exit all
```

Step 3: Configure the above queue profile to be used by the respective applications or port.

Configure the named pool policy.

**CLI Syntax:**

```
config# configure card 1 mda 2 network ingress queue-
policy 15
```

Step 4: Turn on named pool on the card. The card will reboot and the named pool mode will be active on the card.

**CLI Syntax:**

```
configure card 1 named-pool-mode now
```

To check the pools after named pool mode was enabled, use “show pools mda”. There are no port pools unless a port has configured a named pool policy. Only named pools that have active queues associated will be shown with a non-zero size; this means that the named pool was created. If a named pool is configured but has no active queue associated, the size of the pool is zero. The named pool would be instantiated but not created. An example is shown below.

### Example:

```
A:SR7-10# show pools 1/2
```

```
=====
Type Id App. Pool Name Actual ResvCBS PoolSize
Admin ResvCBS

MDA 1/2 Acc-Ing default 3072 10240
Sum
MDA 1/2 Acc-Ing MC Path Mgmt 0 0
50%
MDA 1/2 Acc-Egr default 12288 40960
Sum
MDA 1/2 Net-Ing default 20480 40960
Sum
MDA 1/2 Net-Egr default 81920 163840
Sum
MDA 1/2 Ingress p1 12288 28672
Policy: 3pools 30%
MDA 1/2 Ingress p2 0 0
Policy: 3pools 30%
MDA 1/2 Ingress p3 0 0
Policy: 3pools 30%
=====
```

A:SR7-10#

## Allocation Steps

Whether one or multiple MDAs share the same buffer space, the buffer space is portioned out on a per port basis. Each port gets an amount of buffering which is its fair-share based on the port's bandwidth compared to the overall active bandwidth. This is identical to current behavior.

This mechanism takes the buffer space available and divides it into a portion for each port based on the ports active bandwidth relative to the amount of active bandwidth for all ports associated with the buffer space. The number of ports sharing the same buffer space depends on the type of IOM the pools are being created on and the type of MDAs populated on the IOM. An active port is considered to be any port that has an active queue associated. Once a queue is created for the port, the system will allocate the appropriate amount of buffer space to the port. This process is independently performed for both ingress and egress.

Normally, the amount of active bandwidth is considered as opposed to total potential bandwidth for the port when determining the ports fair share. If a port is channelized and not all bandwidth is allocated, only the bandwidth represented by the configured channels with queues configured is counted towards the bandwidth represented by the port. Also, if a port may operate at variable speeds (as in some Ethernet ports), only the current speed is considered. Based on the above, the number of buffers managed by a port may change due to queue creation and deletion, channel creation and deletion and port speed variance on the local port or other ports sharing the same buffer space.

After the active bandwidth is calculated for the port, the result may be modified through the use of the 'ing-percentage-of-rate' and 'egr-percent-of-rate' commands. The default value of each is 100% which allows the system to use all of the ports active bandwidth when deciding the relative amount of buffer space to allocate to the port. When the value is explicitly modified, the active bandwidth on the port is changed according to the specified percentage. If a value of 50% is given, the ports active bandwidth will be multiplied by .5; if a value of 150% is given, the active bandwidth will be multiplied by 1.5. This capability is independent of named pool mode. The ports rate percentage parameters may be modified at any time.

When named pool mode is configured on the buffer space, the ingress and egress chunk of buffering assigned to a port is now split into 3 smaller chunks for default pools, mda named pools and port named pools. The way the buffering is split into the 3 smaller chunks is based on the 'port-allocation-weights' given in the named-pool-policy. The weights may come from either the XMA or MDA level applied named pool policy or the local port applied named pool policy. If a named pool policy is assigned on both locations, the defined 'port-allocation-weights' from the port associated policy will apply. Any of the weights may be set to '0', indicating that none of the buffers allocated to the port should be given to the pool category. If only XMA or MDA named pools are created, the port weight should be set to '0'; if only

port named pools are created, the XMA or MDA weight should be set to '0'. Setting the default weight to '0' should be done with care as any queues without named pool definitions or queues with non-existent pool names use the default pools. The weights are summed and then each individual weight is divided by the sum. The result is multiplied by the buffer space managed by port to determine the amount of buffer space given to each category.

The portion of buffering set aside for default pools is applied to the default network and access pools based solely on the amount of bandwidth in network and access modes on the physical port. Combining the default pool buffering chunks from all ports result in the aggregate size of the default pools. For Ethernet ports, all the bandwidth is either network or access (there is never both). For channelized ports, the amount given to network and access default pools is based on the ratio between access and network bandwidth and not based on weights defined within the pools. The default pool configuration is not changed when named pool mode is enabled.

The portion of buffering managed by the port relative to the ports XMA or MDA weight parameter is separated into two sub-portions based on the ratio between network and access bandwidth on port. If the port is all network or access bandwidth, that opposite sub-portion will be empty. The sub-portion associated with network bandwidth on the port and the sub-portion associated with access bandwidth on the port are individually summed with the network and access XMA or MDA named pool bandwidth set aside by the other ports on the XMA or MDA. The outcome is a total amount of access and a total amount of network bandwidth that will be given to XMA or MDA named pools based on each pools network and access weights.

The portion of buffering assigned to port named pools based on the port weight is also separated into two sub-portions in the same manner as step 4 above. The network and access bandwidth defines the ratio of bandwidth population between the network and access sub-portions. If the port is all network or access bandwidth, that opposite sub-portion will be empty. Each sub-portion is divided between the port named pools based on each pools network and access defined weights.

On the ingress side, network queues may only be associated with the default ingress network pool or one of the XMA or MDA named pools. Because ingress network queues may not use ingress port based pools, the port's network sub-portion is added to the ports XMA or MDA named pool network sub-portion to be distributed to the named XMA or MDA pools based on each pools network weight.

# Named Pools QoS Policy Command Reference

## Command Hierarchies

### Configuration Commands

```

config
 — qos
 — [no] named-pool-policy policy-name [create]
 — description description-string
 — no description
 — q1-pools
 — [no] pool pool-name [create]
 — amber-alarm-threshold percentage
 — no amber-alarm-threshold
 — application-weights
 — access-allocation-weight buffer-allocation-weight
 — no access-allocation-weight
 — network-allocation-weight buffer-allocation-weight
 — no network-allocation-weight
 — description description-string
 — no description
 — resv-cbs percentage-of-pool-size amber-alarm-action step percent
 max maximum
 — resv-cbs percentage-of-pool-size
 — no resv-cbs
 — slope-policy slope-policy-name
 — no slope-policy
 — port-allocation-weights default weight mda weight port weight
 — no port-allocation-weights
 — [no] sap-ingress policy-id
 — queue queue-id [multipoint] [queue-type] [queue-mode] pool pool-name
 — no queue queue-id
 — [no] pool pool-name
 — [no] sap-egress policy-id
 — queue queue-id [multipoint] [queue-type] [queue-mode] pool pool-name
 — no queue queue-id
 — [no] pool pool-name
 — shared-queue policy-name
 — queue queue-id [queue-type] [profile-mode | priority-mode] [multipoint] pool pool-
 name
 — no queue queue-id
 — [no] pool pool-name
 — network-queue policy-name
 — queue queue-id [multipoint] [queue-type] [queue-mode] pool pool-name
 — no queue queue-id
 — [no] pool pool-name

```

## Show Commands

- show
  - qos
    - **named-pool-policy**
    - **named-pool-policy** *policy-name* [detail]
    - **named-pool-policy** *policy-name* **association**
    - **network-queue** *policy-id* **detail**
    - **sap-egress** *policy-id* **detail**
    - **sap-ingress** *policy-id* **detail**
    - **shared-queue** **default** **detail**
    - **slope-policy** *slope-name* **detail**
  
- show
  - **card** *card-slot* **detail** | **match** “Named Pool Mode”
  - **mda** *slot* **detail**
  - **mda** *slot* **qos** [*ingress* | *egress*] **buffer-allocation** [detail]
  - **mda** *slot* **qos** [*ingress* | *egress*] **orphaned-queues**
  - **pools** *port-id*
  - **port** *port-id* **detail**

## Command Descriptions

### Configuration Commands

### Generic Commands

#### description

- |                    |                                                                                                                                                                                                                                                                               |
|--------------------|-------------------------------------------------------------------------------------------------------------------------------------------------------------------------------------------------------------------------------------------------------------------------------|
| <b>Syntax</b>      | <b>description</b> <i>description-string</i><br><b>no description</b>                                                                                                                                                                                                         |
| <b>Context</b>     | config>qos>named-pool-policy>q1-pools>pool                                                                                                                                                                                                                                    |
| <b>Description</b> | The <b>description</b> command is used to define an informational ASCII string for the named pool policy. The string value may be defined or changed at anytime.<br><br>The <b>no</b> form of the command removes the explicit description string from the named pool policy. |

|                   |                                                                                                                                                                                                                                                                                                                                                                                                                                                                                                                                                                                                                                                                                                      |
|-------------------|------------------------------------------------------------------------------------------------------------------------------------------------------------------------------------------------------------------------------------------------------------------------------------------------------------------------------------------------------------------------------------------------------------------------------------------------------------------------------------------------------------------------------------------------------------------------------------------------------------------------------------------------------------------------------------------------------|
| <b>Parameters</b> | <p><i>description-string</i> — The <i>description-string</i> parameter defines the ASCII description string for the named pool policy. If the string contains spaces, it must be placed within beginning and ending double quotation marks. Beginning and ending quotation marks are not considered part of the description string. Only printable ASCII characters are allowed in the string. The string does not need to be unique within the system. If the command is executed without the <i>description-string</i> present, any existing description string will be unaffected.</p> <p><b>Unit:</b> ASCII String</p> <p><b>Length:</b> Up to 80 characters</p> <p><b>Default</b>      None</p> |
|-------------------|------------------------------------------------------------------------------------------------------------------------------------------------------------------------------------------------------------------------------------------------------------------------------------------------------------------------------------------------------------------------------------------------------------------------------------------------------------------------------------------------------------------------------------------------------------------------------------------------------------------------------------------------------------------------------------------------------|

## Named Pool Policy Creation

### named-pool-policy

|                    |                                                                                                                                                                                                                                                                                                                                                                         |
|--------------------|-------------------------------------------------------------------------------------------------------------------------------------------------------------------------------------------------------------------------------------------------------------------------------------------------------------------------------------------------------------------------|
| <b>Syntax</b>      | <p><b>named-pool-policy</b> <i>policy-name</i> <b>create</b></p> <p><b>no named-pool-policy</b> <i>policy-name</i></p>                                                                                                                                                                                                                                                  |
| <b>Context</b>     | config>qos                                                                                                                                                                                                                                                                                                                                                              |
| <b>Description</b> | <p>This command creates a template that may be applied at the XMA, MDA, or port level to create named buffer pools. The policy may be applied at either the ingress or egress context for the port, XMA, or MDA. Policies applied on the MDA will take effect only after the named pool mode is set on the IOM. Setting the IOM named pool on will reboot the card.</p> |

Within the policy, named pools may be defined in the `q1-pools` context indicating that the provisioned pools will be used on Q1 based hardware. When the policy is associated at the XMA or MDA level, named pools defined in the policy allow queues from any port to be associated. When the policy is associated at the port level, the named pools created are only available to queues associated with the port. Each pool defined allows the `slope-policy`, `resv-cbs`, `access-allocation-weight` and `network-allocation-weight` parameters to be configured for the pool. The policy also manages the `port-allocation-weights` used to divide the buffers managed by the port between named pools local to the port, named pools on the ports XMA or MDA and the default pools. The allocation weights for a given port are derived in the following way (lowest to highest preference):

1. Port default allocation weights  
**Default:** default 50, mda 50, port 50
2. XMA or MDA named pool policy port allocation weights
3. Port named pool policy port allocation weights
4. A named-pool-policy that is currently applied to an XMA or MDA or port may not be deleted. All associations between the policy and XMA or MDAs must be removed prior to deleting the policy.

## Named Pools QoS Policy Command Reference

Pools in the policy may be added or removed at anytime. If the policy is currently associated with an XMA, MDA, or port, the system will first check to ensure necessary resources exist on the port, XMA, or MDA before allowing the pool creation within the policy to proceed. If the pool cannot be added, the pool pool-name command will fail. When a new pool is created, the system will scan all pool orphaned queues for queues associated with the new pool name wherever the policy is currently applied. (A queue with a defined pool name that does not exist is placed on its appropriate default pool until the pool comes into existence).

The **no** form of the command removes a specific named pool policy from the system. If the named pool policy is currently associated with an ingress or egress XMA, MDA, or port, the command will fail. If the named pool policy does not exist, the command has no effect and does not return an error.

**Parameters** *named-pool-policy-name* — The named-pool-policy-name is required. Each named pool policy must be uniquely named within the system. Names of up to 32 ASCII characters are supported with the normal character restrictions. A named pool policy must exist prior to applying the policy name to an XMA, MDA, or port.

**Values** Up to 32 character ASCII string

**Default** None (A system default named pool policy does not exist)

**Limit:** 1024 policies per system

**create** — The create keyword is required if creating a new named pool policy when the system is configured to require the explicit use of the keyword to prevent accidental object creation. Objects may be accidentally created when this protection is disabled and an object name is mistyped when attempting to edit the object. This keyword is not required when the protection is disabled. The keyword is ignored when the named pool policy already exists.

## description

**Syntax** **description** *description-string*  
**no description**

**Context** config>qos>named-pool-policy

**Description** The description command is used to define an informational ASCII string for the named pool policy. The string value may be defined or changed at anytime.

The **no** form of the command removes an explicit description string from the named pool policy.

**Parameters** *description-string* — The description-string parameter defines the ASCII description string for the named pool policy. If the string contains spaces, it must be placed within beginning and ending double quotation marks. Beginning and ending quotation marks are not considered part of the description string. Only printable ASCII characters are allowed in the string. The sting does not need to be unique within the system. If the command is executed without the description-sting present, any existing description string will be unaffected.

**Values** Up to 80 character ASCII string

**Default** None



## q1-pools

|                    |                                                                                                                                                                                                                |
|--------------------|----------------------------------------------------------------------------------------------------------------------------------------------------------------------------------------------------------------|
| <b>Syntax</b>      | <b>q1-pools</b>                                                                                                                                                                                                |
| <b>Context</b>     | config>qos>named-pool-policy                                                                                                                                                                                   |
| <b>Description</b> | The q1-pools command is used to enter the configuration node for Q1 oriented named buffer pools. The named pool policy will support contexts for configuring pools of other types when other pool types exist. |

## port-allocation-weights

|                    |                                                                                                                                                                                                                                                                                                                                                                                                                                                                                                                                                                                                                                                                                                                                                                                                                                                                                                                                                                                                                 |
|--------------------|-----------------------------------------------------------------------------------------------------------------------------------------------------------------------------------------------------------------------------------------------------------------------------------------------------------------------------------------------------------------------------------------------------------------------------------------------------------------------------------------------------------------------------------------------------------------------------------------------------------------------------------------------------------------------------------------------------------------------------------------------------------------------------------------------------------------------------------------------------------------------------------------------------------------------------------------------------------------------------------------------------------------|
| <b>Syntax</b>      | <b>port-allocation-weights default <i>weight</i> mda <i>weight</i> port <i>weight</i></b><br><b>no port-allocation-weights</b>                                                                                                                                                                                                                                                                                                                                                                                                                                                                                                                                                                                                                                                                                                                                                                                                                                                                                  |
| <b>Context</b>     | config>qos>named-pool-policy                                                                                                                                                                                                                                                                                                                                                                                                                                                                                                                                                                                                                                                                                                                                                                                                                                                                                                                                                                                    |
| <b>Description</b> | The port-allocation-weights command is used to define the weights used to divide the buffers managed by a port into three categories: default, XMA, MDA and port. The default category is given to the default pools, the XMA or MDA category is given to the XMA or MDA named pools and the port category is used by the local port named pools. When the IOM is placed in named-pool-mode, each port has an inherent set of weights that places all port managed buffers into the default category (default = 100, XMA or MDA = 0, port = 0). The policy port-allocation-weights command is used to override this port inherent behavior. When the policy is applied to the XMA or MDA, the defined port-allocation-weights parameter values override the inherent values for all ports on the XMA or MDA. When the policy is applied to the port level, the defined port-allocation-weights override both the local ports inherent weights and the XMA or MDA level named pool policy weights (if existing). |

The **no** form of the command resets all values to the default value.

|                   |                                                                                                                                                                                                                                                                                                                                                                                                                                                                                                                                                  |
|-------------------|--------------------------------------------------------------------------------------------------------------------------------------------------------------------------------------------------------------------------------------------------------------------------------------------------------------------------------------------------------------------------------------------------------------------------------------------------------------------------------------------------------------------------------------------------|
| <b>Parameters</b> | <b>default <i>weight</i></b> — The default keyword is used to identify the weight value for the port where the policy is applied used in the calculation of the amount of buffer space given to the default pools by the port. The following weight parameter is required and must be specified as an integer between 0 and 100. The specified weight only has meaning when compared to the mda and port weights. The sum of all three weights is divided into each weight to determine the amount of buffering given to the pools of each type. |
|-------------------|--------------------------------------------------------------------------------------------------------------------------------------------------------------------------------------------------------------------------------------------------------------------------------------------------------------------------------------------------------------------------------------------------------------------------------------------------------------------------------------------------------------------------------------------------|

**Values** Integers 0 to 100

**Default** 50

|                                                                                                                                                                                                                                                                                                                                                                                                                                                                                                                                                             |
|-------------------------------------------------------------------------------------------------------------------------------------------------------------------------------------------------------------------------------------------------------------------------------------------------------------------------------------------------------------------------------------------------------------------------------------------------------------------------------------------------------------------------------------------------------------|
| <b>mda <i>weight</i></b> — The mda keyword is used to identify the weight value for the port where the policy is applied used in the calculation of the amount of buffer space given to the XMA or MDA level named pools by the port. The following weight parameter is required and must be specified as an integer between 0 and 100. The specified weight only has meaning when compared to the default and port weights. The sum of all three weights is divided into each weight to determine the amount of buffering given to the pools of each type. |
|-------------------------------------------------------------------------------------------------------------------------------------------------------------------------------------------------------------------------------------------------------------------------------------------------------------------------------------------------------------------------------------------------------------------------------------------------------------------------------------------------------------------------------------------------------------|

**Values** Integers 0 to 100

**Default** 50

## Named Pools QoS Policy Command Reference

**port weight** — The port keyword is used to identify the weight value for the port where the policy is applied used in the calculation of the amount of buffer space given to the local port named pools by the port. The following weight parameter is required and must be specified as an integer between 0 and 100. The specified weight only has meaning when compared to the mda and port weights. The sum of all three weights is divided into each weight to determine the amount of buffering given to the pools of each type.

**Values** Integers 0 to 100

**Default** 50

### pool

**Syntax** **pool** *pool-name* **create**  
**no pool** *pool-name*

**Context** config>qos>named-pool-policy>q1-pools

**Description** The pool command is used to create a new or edit an existing named pool within the policy. A CLI node is created for the named pool which contains the slope-policy and resv-cbs commands. A named pool created within the q1-pools context may be used by queues on any physical port, XMA or MDA where the policy is applied that has Q1 based buffer pools. Once the policy is applied on an XMA, MDA, or port, creating a new pool will fail if a pool resource is not available for the port, XMA, or MDA.

When creating a pool, the defined name must be unique within the policy. No other named pool may share the same name.

Once the pool is created, any queues currently on a default pool with a specified pool name the same as the new pool will be moved from the default pool to the new pool.

The **no** form of the command removes a specific named pool from the policy. If an instance of the named pool is currently associated with a created queue, the queue will be moved to the appropriate default pool. Once the pool is deleted, the pool is removed from both the policy and any instance of the pool on an XMA, MDA, or port is removed. The pool buffers are freed and may be available other named pools.

**Parameters** *pool-name* — The pool-name parameter is required. Each named pool must be uniquely named within the policy. Names of up to 32 ASCII characters are supported with the normal character restrictions. A named pool must be defined prior to creating a queue associated with the named pool.

**Length:** Up to 32 characters

**Default** None (All named pools must be explicitly created)

**Values** Up to 57 named pools may be created per policy

**create** — The create keyword is required if creating a new named pool within the policy when the system is configured to require the explicit use of the keyword to prevent accidental object creation. Objects may be accidentally created when this protection is disabled and an object name is mistyped when attempting to edit the object. This keyword is not required when the protection is disabled. The keyword is ignored when the named pool already exists within the policy.

## amber-alarm-threshold

|                    |                                                                                                                                                                                                                                                                                                                                                       |
|--------------------|-------------------------------------------------------------------------------------------------------------------------------------------------------------------------------------------------------------------------------------------------------------------------------------------------------------------------------------------------------|
| <b>Syntax</b>      | <b>amber-alarm-threshold</b> <i>percentage</i><br><b>no amber-alarm-threshold</b>                                                                                                                                                                                                                                                                     |
| <b>Context</b>     | config>qos>named-pool-policy>q1-pools>pool                                                                                                                                                                                                                                                                                                            |
| <b>Description</b> | This command configures the threshold for the amber alarm on the over-subscription allowed.<br><br>Users can selectively enable amber or red alarm thresholds. But if both are enabled (non-zero) then the red alarm threshold must be greater than the amber alarm threshold.<br><br>The <b>no</b> form of the command reverts to the default value. |
| <b>Default</b>     | 0                                                                                                                                                                                                                                                                                                                                                     |
| <b>Parameters</b>  | <i>percentage</i> — Specifies the amber alarm threshold.<br><b>Values</b> 1 to 1000                                                                                                                                                                                                                                                                   |

## red-alarm-threshold

|                    |                                                                                                                                                                                                                                                                                                                                                     |
|--------------------|-----------------------------------------------------------------------------------------------------------------------------------------------------------------------------------------------------------------------------------------------------------------------------------------------------------------------------------------------------|
| <b>Syntax</b>      | <b>red-alarm-threshold</b> <i>percentage</i><br><b>no red-alarm-threshold</b>                                                                                                                                                                                                                                                                       |
| <b>Context</b>     | config>qos>named-pool-policy>q1-pools>pool                                                                                                                                                                                                                                                                                                          |
| <b>Description</b> | This command configures the threshold for the red alarm on the over-subscription allowed.<br><br>Users can selectively enable amber or red alarm thresholds. But if both are enabled (non-zero) then the red alarm threshold must be greater than the amber alarm threshold.<br><br>The <b>no</b> form of the command reverts to the default value. |
| <b>Default</b>     | 0                                                                                                                                                                                                                                                                                                                                                   |
| <b>Parameters</b>  | <i>percentage</i> — Specifies the amber alarm threshold.<br><b>Values</b> 1 to 1000                                                                                                                                                                                                                                                                 |

### application-weights

|                    |                                                                                                                                                                                                                                                                                                                                                                                                                                                                                                                                                                                                                              |
|--------------------|------------------------------------------------------------------------------------------------------------------------------------------------------------------------------------------------------------------------------------------------------------------------------------------------------------------------------------------------------------------------------------------------------------------------------------------------------------------------------------------------------------------------------------------------------------------------------------------------------------------------------|
| <b>Syntax</b>      | <b>application-weights</b>                                                                                                                                                                                                                                                                                                                                                                                                                                                                                                                                                                                                   |
| <b>Context</b>     | config>qos>named-pool-policy>q1-pools>pool                                                                                                                                                                                                                                                                                                                                                                                                                                                                                                                                                                                   |
| <b>Description</b> | The application-weights CLI node context contains the network and access allocation weights. The network and access application weights are used to divide the network and access buffer space available to the pools between each named pool. When the policy is applied at the XMA or MDA level, the network and access application weights are applied to the network and access buffer space given to the XMA or MDA named pools by the ingress or egress ports. When the policy is applied at the port level, the network and access application weights are applied to the local port network and access buffer space. |

### network-allocation-weight

|                    |                                                                                                                                                                                                                                                                                                                                                                                                                                                                                                                                                                                                                                                                                                                                                                                                                                                                                                                                                                                                                                                                                                                                                                                                                                                                                                                                                                                                                     |
|--------------------|---------------------------------------------------------------------------------------------------------------------------------------------------------------------------------------------------------------------------------------------------------------------------------------------------------------------------------------------------------------------------------------------------------------------------------------------------------------------------------------------------------------------------------------------------------------------------------------------------------------------------------------------------------------------------------------------------------------------------------------------------------------------------------------------------------------------------------------------------------------------------------------------------------------------------------------------------------------------------------------------------------------------------------------------------------------------------------------------------------------------------------------------------------------------------------------------------------------------------------------------------------------------------------------------------------------------------------------------------------------------------------------------------------------------|
| <b>Syntax</b>      | <b>network-allocation-weight</b> <i>buffer-allocation-weight</i><br><b>no network-allocation-weight</b>                                                                                                                                                                                                                                                                                                                                                                                                                                                                                                                                                                                                                                                                                                                                                                                                                                                                                                                                                                                                                                                                                                                                                                                                                                                                                                             |
| <b>Context</b>     | config>qos>named-pool-policy>q1-pools>pool>application-weights                                                                                                                                                                                                                                                                                                                                                                                                                                                                                                                                                                                                                                                                                                                                                                                                                                                                                                                                                                                                                                                                                                                                                                                                                                                                                                                                                      |
| <b>Description</b> | <p>The network-allocation-weight command is used to define the weight used when dividing network associated buffer space between the named pools. When the named pool is created on an XMA or MDA, the network associated buffer space is summed from all ports. The pool's network allocation weight is divided by the total network allocation weights from all named pools on the XMA or MDA. The resulting factor is multiplied by the summed port network associated buffer space to derive the amount of network buffers applied to the pool. When the named pool is created on a port, the weight is applied against the local ports network associated buffer space to derive the network buffers applied to the pool. A similar process is done for with the access-allocation-weight. The total buffers applied to the pool are the sum of the access and network buffers given to the pool.</p> <p>Changing the weight does not change the total buffers allocated to the pools, just the ratio of distribution between the pools.</p> <p>A weight of '0' indicates that the pool will not receive any network associated buffers. If all pools on the port, XMA, or MDA have a network-allocation-weight equal to 0, the network associated buffer will not be used at that level.</p> <p>The <b>no</b> form of the command returns the pools network allocation weight to the default value of 50.</p> |
| <b>Parameters</b>  | <p><i>buffer-allocation-weight</i> — The buffer-allocation-weight parameter is required when executing the network-allocation-weight command. A value of 0 to 100 is accepted. The default weight is 50. The weight value may be changed at anytime resulting in a redistribution of network associated buffers among the pools at the XMA, MDA, or port level.</p> <p><b>Unit:</b> Integer</p> <p><b>Length:</b> 0 to 100</p> <p><b>Default</b>     50</p>                                                                                                                                                                                                                                                                                                                                                                                                                                                                                                                                                                                                                                                                                                                                                                                                                                                                                                                                                         |

## access-allocation-weight

|                    |                                                                                                                                                                                                                                                                                                                                                                                                                                                                                                                                                                                                                                                                                                                                                                                                                                                                                                                                                                                                                                                                                                                                                                                                                                                                                         |
|--------------------|-----------------------------------------------------------------------------------------------------------------------------------------------------------------------------------------------------------------------------------------------------------------------------------------------------------------------------------------------------------------------------------------------------------------------------------------------------------------------------------------------------------------------------------------------------------------------------------------------------------------------------------------------------------------------------------------------------------------------------------------------------------------------------------------------------------------------------------------------------------------------------------------------------------------------------------------------------------------------------------------------------------------------------------------------------------------------------------------------------------------------------------------------------------------------------------------------------------------------------------------------------------------------------------------|
| <b>Syntax</b>      | <b>access-allocation-weight</b> <i>buffer-allocation-weight</i><br><b>no access-allocation-weight</b>                                                                                                                                                                                                                                                                                                                                                                                                                                                                                                                                                                                                                                                                                                                                                                                                                                                                                                                                                                                                                                                                                                                                                                                   |
| <b>Context</b>     | config>qos>named-pool-policy>q1-pools>pool>application-weights                                                                                                                                                                                                                                                                                                                                                                                                                                                                                                                                                                                                                                                                                                                                                                                                                                                                                                                                                                                                                                                                                                                                                                                                                          |
| <b>Description</b> | <p>The access-allocation-weight command is used to define the weight used when dividing access associated buffer space between the named pools. When the named pool is created on an XMA or MDA, the access associated buffer space is summed from all ports. The pool's access allocation weight is divided by the total access allocation weights from all named pools on the XMA or MDA. The resulting factor is multiplied by the summed port access associated buffer space to derive the amount of access buffers applied to the pool. When the named pool is created on a port, the weight is applied against the local ports access associated buffer space to derive the access buffers applied to the pool. A similar process is done for with the network-allocation-weight. The total buffers applied to the pool are the sum of the access and network buffers given to the pool.</p> <p>Changing the weight does not change the total buffers allocated to the pools, just the ratio of distribution between the pools.</p> <p>A weight of '0' indicates that the pool will not receive any access associated buffers. If all pools on the port, XMA, or MDA have a access-allocation-weight equal to 0, the access associated buffer will not be used at that level.</p> |
| <b>Parameters</b>  | <p><i>buffer-allocation-weight</i> — The buffer-allocation-weight parameter is required when executing the access-allocation-weight command. A value of 0 to 100 is accepted. The default weight is 50. The weight value may be changed at anytime resulting in a redistribution of access associated buffers among the pools at the XMA, MDA, or port level.</p> <p><b>Unit:</b> Integer</p> <p><b>Values</b>      0 to 100</p> <p><b>Default</b>     50</p> <p>The <b>no</b> access-allocation-weight command is used to return the pools access allocation weight to the default value of 50.</p>                                                                                                                                                                                                                                                                                                                                                                                                                                                                                                                                                                                                                                                                                    |

## slope-policy

|                    |                                                                                                                                                                                                                                                                                                                                                                                                                      |
|--------------------|----------------------------------------------------------------------------------------------------------------------------------------------------------------------------------------------------------------------------------------------------------------------------------------------------------------------------------------------------------------------------------------------------------------------|
| <b>Syntax</b>      | <b>slope-policy</b> <i>slope-policy-name</i><br><b>no slope-policy</b>                                                                                                                                                                                                                                                                                                                                               |
| <b>Context</b>     | config>qos>named-pool-policy>q1-pools>pool                                                                                                                                                                                                                                                                                                                                                                           |
| <b>Description</b> | <p>The slope-policy command is used to override the default slope-policy configuration for the named buffer pool. The specified slope-policy-name must exist as a current slope policy name. If the slope policy does not exist, the slope-policy command will fail. If a slope policy is currently associated with a named pool within a named pool policy, the slope policy cannot be removed from the system.</p> |

## Named Pools QoS Policy Command Reference

The slope policy contains the High and Low WRED slope definitions that will be used by the pool on each XMA or MDA on which the pool is created. If the slope-policy command is not executed or the no slope-policy command is executed, the default slope policy will be associated with the pool.

The **no** form of the command restores the default slope policy to the named pool.

- Parameters** *slope-policy-name* — The slope-policy-name parameter is required and must specify an existing slope policy name. If slope-policy-name does not exist, the slope-policy command will fail.
- Unit:** Slope Policy Name
- Default** Default Slope Policy

### resv-cbs

- Syntax** **resv-cbs** *percentage-of-pool-size* **amber-alarm-action** *step percent* **max** *maximum*  
**resv-cbs** *percentage-of-pool-size*  
**no resv-cbs**
- Context** config>qos>named-pool-policy>q1-pools>pool
- Description** The resv-cbs command is used to override the default reserved CBS size of the pool. The reserved CBS size defines the amount of buffer space within the pool that is not considered shared. When queues request buffers from the pool, they will be either ‘within-CBS’ or ‘above-CBS’. If the queue is ‘within-CBS’ based on the current queue depth and the configured CBS value for the queue, the requested buffer is taken from the reserved portion of the buffer pool. After the queues depth is beyond its configured CBS, the buffer will be taken from the pools shared space. Shared space buffers are subject to the WRED slope function within the buffer pool. If the WRED slopes are enabled, the buffer request may be denied based on WRED drop probability.
- The default reserved CBS size of the pool is 30%.
- The **no** form of the command restores the default reserved CBS size of 30%.
- Parameters** *percentage-of-pool-size* — The percentage-of-pool-size parameter is required and is an integer specifying a percentage from 0 to 100 percent. Specifying a value of 30 (the default) is equivalent to specifying no resv-cbs.
- Values** 0 to 100
- Default** 30
- amber-alarm-action** *step percent* — specifies the percentage step-size for the reserved CBS size of the pool. When using the default value, the adaptive CBS sizing is disabled. To enable adaptive CBS sizing, **step percent** must be set to non-default value along with the **max** parameter. When reserved CBS is default adaptive CBS sizing cannot be enabled. The reserved CBS (Committed Burst Size) defines the amount of buffer space within the pool that is not considered shared.
- Values** 1 to 100
- Default** 0

**max maximum** — Specifies the maximum percentage for the reserved CBS size of the pool. When using the default value, the adaptive CBS sizing is disabled. To enable adaptive CBS sizing, **max** value must be set to non-default value along with the **step percent**. When reserved CBS is default adaptive CBS sizing cannot be enabled. The reserved CBS (Committed Burst Size) defines the amount of buffer space within the pool that is not considered shared. Max reserved CBS must not be more than the reserved CBS.

**Values** 1 to 100

**Default** 0

## Service Ingress and Egress QoS Policy Commands

### sap-ingress

**Syntax** [no] **sap-ingress** *policy-id*

**Context** config>qos

**Description** This command is used to create or edit the ingress policy. The ingress policy defines the Service Level Agreement (SLA) enforcement service packets receive as they ingress a SAP. SLA enforcement is accomplished through the definition of queues that have Forwarding Class (FC), Committed Information Rate (CIR), Peak Information Rate (PIR) and Maximum Burst Size (MBS) characteristics. The simplest policy defines a single queue that all ingress traffic flows through. Complex policies have multiple queues combined with specific IP or MAC match criteria that indicate which queue a packet will flow through.

Policies in effect are templates that can be applied to multiple services as long as the **scope** of the policy is template. Queues defined in the policy are not instantiated until a policy is applied to a service SAP.

A SAP ingress policy is considered incomplete if it does not include definition of at least one queue and does not specify the default action. The router software does not allow incomplete SAP ingress policies to be applied to services.

SAP ingress policies can be defined with either IP headers as the match criteria or MAC headers as the match criteria. The IP and MAC criteria are mutually exclusive and cannot be part of the same SAP ingress policy.

It is possible that a SAP ingress policy will include the **dscp** map command, the **dot1p** map command and an IP or MAC match criteria. When multiple matches occur for the traffic, the order of precedence will be used to arrive at the final action. The order of precedence is as follows:

802.1p bits

1. DSCP
2. IP Quintuple or MAC headers

## Named Pools QoS Policy Command Reference

The SAP ingress policy with *policy-id* 1 is a system-defined policy applied to services when no other policy is explicitly specified. The system SAP ingress policy can be modified but not deleted. The **no sap-ingress** command restores the factory default settings when used on *policy-id* 1. The default SAP ingress policy defines one queue associated with the best effort (be) forwarding class, with CIR of zero and PIR of line rate.

Any changes made to the existing policy, using any of the sub-commands are applied immediately to all services where this policy is applied. For this reason, when many changes are required on a policy, it is recommended that the policy be copied to a work area policy ID. That work-in-progress policy can be modified until complete and then written over the original *policy-id*. Use the **config qos copy** command to maintain policies in this manner.

The **no sap-ingress *policy-id*** command deletes the SAP ingress policy. A policy cannot be deleted until it is removed from all services where it is applied. The system default sap-ingress policy is a special case; the **no** command restores the factory defaults to *policy-id* 1.

The **no sap-ingress *policy-id* bw-reserved** command removes the bandwidth reservation attribute from the sap-ingress policy.

**Parameters** *policy-id* — The *policy-id* uniquely identifies the policy.

**Values** 1 to 65535

## queue

**Syntax** **queue** *queue-id* [**multipoint**] [*queue-type*] [*queue-mode*] **pool** *pool-name*  
**queue** *queue-id* [**multipoint**] [*queue-type*] **pool** *pool-name*  
**no queue** *queue-id*

**Context** config>qos>sap-ingress  
config>qos>sap-egress

**Description** This command creates the context to configure an ingress service access point (SAP) QoS policy queue.

Explicit definition of an ingress queue's hardware scheduler status is supported. A single ingress queue allows support for multiple forwarding classes. The default behavior automatically chooses the expedited or non-expedited nature of the queue based on the forwarding classes mapped to it. As long as all forwarding classes mapped to the queue are expedited (nc, ef, h1 or h2), the queue is treated as an expedited queue by the hardware schedulers. When any non-expedited forwarding classes are mapped to the queue (be, af, l1 or l2), the queue is treated as best effort (be) by the hardware schedulers. The expedited hardware schedulers are used to enforce expedited access to internal switch fabric destinations. The hardware status of the queue must be defined at the time of queue creation within the policy.



The **queue** command allows the creation of multipoint queues. Only multipoint queues can receive ingress packets that need flooding to multiple destinations. By separating the unicast for multipoint traffic at service ingress and handling the traffic on separate multipoint queues special handling of the multipoint traffic is possible. Each queue acts as an accounting and (optionally) shaping device offering precise control over potentially expensive multicast, broadcast and unknown unicast traffic. Only the back-end support of multipoint traffic (between the forwarding class and the queue based on forwarding type) needs to be defined. The individual classification rules used to place traffic into forwarding classes are not affected. Queues must be defined as multipoint at the time of creation within the policy.

The multipoint queues are for multipoint-destined service traffic. Within non-multipoint services, such as Epipe services, all traffic is considered unicast due to the nature of the service type. Multicast and broadcast-destined traffic in an Epipe service will not be mapped to a multipoint service queue.

When an ingress SAP QoS policy with multipoint queues is applied to an Epipe SAP, the multipoint queues are not created. On the 7950 XRS, when an ingress SAP QoS policy with multipoint queues is applied to an IES SAP, a multipoint queue will be created when PIM is enabled on the IES interface.

Any billing or statistical queries about a multipoint queue on a non-multipoint service returns zero values. Any queue parameter information requested about a multipoint queue on a non-multipoint service returns the queue parameters in the policy. Buffers will not be allocated for multipoint queues on non-multipoint services. Buffer pool queries return zero values for actual buffers allocated and current buffer utilization.

The **no** form of this command removes the *queue-id* from the SAP ingress QoS policy and from any existing SAPs using the policy. If any forwarding class forwarding types are mapped to the queue, they revert to their default queues. When a queue is removed, any pending accounting information for each SAP queue created due to the definition of the queue in the policy is discarded.

The **pool** keyword is a create time parameter that allows the queue to receive buffers from an explicit buffer pool instead of the default buffer pool. The specified pool-name must have been explicitly created in a named-pool-policy and the policy must have been applied to the XMA, MDA, or port on which the queue resides.

If the specified pool-name does not exist on the XMA or MDA, the queue will be treated as ‘pool orphaned’ and will be mapped to the appropriate default pool. Once the pool comes into existence on the XMA, MDA, or port, the queue will be mapped to the new pool.

Once the queue is created within the policy, the **pool** command may be used to either remove the queue from the pool, or specify a new pool name association for the queue. The **pool** command does not appear in **save** or **show** command output. Instead, the current pool name for the queue will appear (or not appear) on the queue command output using the **pool** keyword.

#### Parameters

*queue-id* — The *queue-id* for the queue, expressed as an integer. The *queue-id* uniquely identifies the queue within the policy. This is a required parameter each time the queue command is executed.

**Values** 1 to 32

## Named Pools QoS Policy Command Reference

*queue-type* — The **expedite**, **best-effort** and **auto-expedite** queue types are mutually exclusive to each other. Each defines the method that the system uses to service the queue from a hardware perspective. While parental virtual schedulers can be defined for the queue, they only enforce how the queue interacts for bandwidth with other queues associated with the same scheduler hierarchy. An internal mechanism that provides access rules when the queue is vying for bandwidth with queues in other virtual schedulers is also needed. A keyword must be specified at the time the queue is created in the SAP ingress policy. If an attempt to change the keyword after the queue is initially defined, an error is generated.

**expedite** — This keyword ensures that the queue is treated in an expedited manner independent of the forwarding classes mapped to the queue.

**best-effort** — This keyword ensures that the queue is treated in a non-expedited manner independent of the forwarding classes mapped to the queue.

**auto-expedite** — This keyword allows the system to auto-define the way the queue is serviced by the hardware. When **auto-expedite** is defined on the queue, the queue is treated in an expedited manner when all forwarding classes mapped to the queue are configured as expedited types nc, ef, h1 or h2. When a single non-expedited forwarding class is mapped to the queue (be, af, l1 and l2) the queue automatically falls back to non-expedited status.

**Values** expedite, best-effort, auto-expedite

**Default** auto-expedite

**multipoint** — This keyword specifies that this *queue-id* is for multipoint forwarded traffic only. This *queue-id* can only be explicitly mapped to the forwarding class multicast, broadcast, or unknown unicast ingress traffic. If you attempt to map forwarding class unicast traffic to a multipoint queue, an error is generated and no changes are made to the current unicast traffic queue mapping.

A queue must be created as multipoint. The **multipoint** designator cannot be defined after the queue is created. If an attempt is made to modify the command to include the **multipoint** keyword, an error is generated and the command will not execute.

The **multipoint** keyword can be entered in the command line on a pre-existing multipoint queue to edit *queue-id* parameters.

**Values** multipoint or not present

**Default** Present (the queue is created as non-multipoint)

*queue-mode* — Specifies the mode in which the queue is operating. This attribute is associated with the queue at the time of creation and cannot be modified thereafter.

**Values** **profile-mode**: When the queue is operating in the profile mode (or, the color aware mode), the queue tries to provide the appropriate bandwidth to the packets with different profiles. The profiles are assigned according to the configuration of the forwarding class or the sub-forwarding class.

**priority-mode:** The queue is capable of handling traffic differently with two distinct priorities. These priorities are assigned by the stages preceding the queuing framework in the system. In priority mode, the queue does not have the functionality to support the profiled traffic and in such cases the queue will have a degraded performance. However, the converse is not valid and a queue in profile mode should be capable of supporting the different priorities of traffic.

*pool-name* — The specified pool-name identifies a named pool where the policy will be applied. Each queue created within the system is tied to a physical port. When the policy is applied and the queue is created, the system will scan the named pools associated with the port to find the specified pool name. If the pool is not found on the port, the system will then look at named pools defined at the ports XMA or MDA level. If the pool name is not found on either the port, XMA, or MDA, the queue will be marked as ‘pool-orphaned’ and will be mapped to the appropriate default pool. If the pool comes into existence, the queue will be moved from the default pool to the new named pool and the ‘pool-orphaned’ state will be cleared. The specified name must be an ASCII name string up to 16 characters long.

**Values** Any valid ASCII name string

**Default** None

The queue’s pool association may only be removed by either re-executing the queue command without the pool keyword or by executing the no pool command within the queue’s CLI context. When the pool name is removed, the queue will be placed on the appropriate default pool.

## pool

|                    |                                                                                                                                                                                                                                                                                                                                                                                                                                                                                                                                                                                    |
|--------------------|------------------------------------------------------------------------------------------------------------------------------------------------------------------------------------------------------------------------------------------------------------------------------------------------------------------------------------------------------------------------------------------------------------------------------------------------------------------------------------------------------------------------------------------------------------------------------------|
| <b>Syntax</b>      | <b>pool</b> <i>pool-name</i> [ <b>create</b> ]<br><b>no pool</b> <i>pool-name</i>                                                                                                                                                                                                                                                                                                                                                                                                                                                                                                  |
| <b>Context</b>     | config>qos>sap-ingress>queue<br>config>qos>sap-egress>queue                                                                                                                                                                                                                                                                                                                                                                                                                                                                                                                        |
| <b>Description</b> | This command is utilized once the queue is created within the policy. The pool command may be used to either remove the queue from the pool, or specify a new pool name association for the queue. The pool command does not appear in save or show command output. Instead, the current pool name for the queue will appear (or not appear) on the queue command output using the pool keyword.<br><br>The <b>no</b> form of the command removes a named pool association for the queue. When the pool name is removed, the queue will be placed on the appropriate default pool. |
| <b>Default</b>     | None                                                                                                                                                                                                                                                                                                                                                                                                                                                                                                                                                                               |

## Named Pools QoS Policy Command Reference

**Parameters** *pool-name* — The specified pool-name identifies a named pool where the policy will be applied. Each queue created within the system is tied to a physical port. When the policy is applied and the queue is created, the system will scan the named pools associated with the port to find the specified pool name. If the pool is not found on the port, the system will then look at named pools defined at the ports XMA or MDA level. If the pool name is not found on either the port, XMA, or MDA, the queue will be marked as ‘pool-orphaned’ and will be mapped to the appropriate default pool. If the pool comes into existence, the queue will be moved from the default pool to the new named pool and the ‘pool-orphaned’ state will be cleared. The specified name must be an ASCII name string up to 32 characters long.

### sap-egress

**Syntax** **[no] sap-egress** *policy-id*

**Context** config>qos

**Description** This command is used to create or edit a Service Egress QoS policy. The egress policy defines the Service Level Agreement (SLA) for service packets as they egress on the SAP.

Policies in effect are templates that can be applied to multiple services as long as the scope of the policy is template. The queues defined in the policy are not instantiated until a policy is applied to a service.

A sap-egress policy differs from sap-ingress policies in the complexity of the QoS parameters that can be defined. At ingress, policies determine queue mappings based on ingress DSCP, Dot1P and IP or MAC match criteria. Multiple queues can be created per forwarding class and each queue can have different CIR or PIR parameters.

At egress, the policies are much simpler, as the forwarding class and in or out of profile determination happened way back at the original service ingress SAP. Egress SAP QoS policies allow the definition of queues and the mapping of forwarding classes to those queues. Each queue needs to have a relative CIR for determining its allocation of QoS resources during periods of congestion. A PIR can also be defined that forces a hard limit on the packets transmitted through the queue. When the forwarding class is mapped to the queue, a Dot1p value can optionally be specified. If specified and the SAP has a Dot1q encapsulation type, the Dot1p value will be used for all packets that egress on that forwarding class. If the Dot1p value is not specified, a Dot1p value of zero will be used. If the SAP is null encapsulated, or on a SONET/SDH interface, the Dot1p value has no meaning.

Any unmapped traffic or FC will go to queue 1 (or 11 in case of B/U/M traffic).

The sap-egress policy with policy-id 1 is the default sap-egress QoS policy and is applied to service egress SAPs when an explicit policy is not specified or removed. The system sap-egress policy can be modified but not deleted. Using the **no sap-egress** command on **policy-id 1** causes it to revert to its factory default parameters.

The factory default settings for sap-egress policy-id 1 define a single queue with PIR set to the maximum value and a CIR set to 25. The single queue is the default queue and all forwarding classes will map to it. Packets being tagged according to the SAP encapsulation defined will have the Dot1p bits set to zero.

Any changes made to an existing policy, using any of the sub-commands, will be applied immediately to all egress SAPs where this policy is applied. For this reason, when many changes are required on a policy, it is highly recommended that the policy be copied to a work area policy-id. That work-in-progress policy can be modified until complete and then written over the original policy-id. Use the **config qos copy** command to maintain policies in this manner.

The **no** form of the command deletes the sap-egress policy. A policy cannot be deleted until it is removed from all service SAPs where it is applied. When a sap-egress policy is removed from a SAP, the SAP will revert to the default sap-egress policy-id 1.

The system default sap-egress policy is a special case. The **no** command restores the factory defaults to policy-id 1.

**Parameters** *policy-id* — The policy-id uniquely identifies the policy on the router.

**Default** none

**Values** 1 to 65535

## Shared Queue QoS Commands

### shared-queue

**Syntax** **shared-queue** *policy-name*

**Context** config>qos

**Description** This command enables the context to modify the QoS **default** shared-queue policy.

**Parameters** *policy-name* — The name of the **default** shared-queue policy.

**Values** default

### queue

**Syntax** **queue** *queue-id* [*queue-type*] [**profile-mode** | **priority-mode**] [**multipoint**] **pool** *pool-name*  
**queue** *queue-id* [*queue-type*] [**multipoint**] **pool** *pool-name*  
**no queue** *queue-id*

**Context** config>qos>shared-queue

**Description** This command creates the context to configure a shared queue QoS policy queue.

## Named Pools QoS Policy Command Reference

Explicit definition of an ingress queue's hardware scheduler status is supported. A single ingress queue allows support for multiple forwarding classes. The default behavior automatically chooses the expedited or non-expedited nature of the queue based on the forwarding classes mapped to it. As long as all forwarding classes mapped to the queue are expedited (nc, ef, h1 or h2), the queue is treated as an expedited queue by the hardware schedulers. When any non-expedited forwarding classes are mapped to the queue (be, af, l1 or l2), the queue is treated as best effort (be) by the hardware schedulers. On the 7950 XRS, the expedited hardware schedulers are used to enforce expedited access to internal switch fabric destinations.

On the 7450 ESS, the expedited hardware schedulers are used to enforce expedited access to internal switch fabric destinations. The hardware status of the queue must be defined at the time of queue creation within the policy.

The pool keyword is a create time parameter that allows the queue to receive buffers from an explicit buffer pool instead of the default buffer pool. The specified pool-name must have been explicitly created in a named-pool-policy and the policy must have been applied to the XMA, MDA, or port on which the queue resides.

If the specified pool-name does not exist on the MDA, the queue will be treated as 'pool orphaned' and will be mapped to the appropriate default pool. Once the pool comes into existence on the XMA, MDA, or port, the queue will be mapped to the new pool.

Once the queue is created within the policy, the pool command may be used to either remove the queue from the pool, or specify a new pool name association for the queue. The pool command does not appear in save or show command output. Instead, the current pool name for the queue will appear (or not appear) on the queue command output using the pool keyword.

### Parameters

*queue-id* — The *queue-id* for the queue, expressed as an integer. The *queue-id* uniquely identifies the queue within the policy. This is a required parameter each time the queue command is executed.

**Values** 1 to 32

*queue-type* — The **expedite**, **best-effort** and **auto-expedite** queue types are mutually exclusive to each other. Each defines the method that the system uses to service the queue from a hardware perspective. While parental virtual schedulers can be defined for the queue, they only enforce how the queue interacts for bandwidth with other queues associated with the same scheduler hierarchy. An internal mechanism that provides access rules when the queue is vying for bandwidth with queues in other virtual schedulers is also needed. A keyword must be specified at the time the queue is created in the SAP ingress policy. If an attempt to change the keyword after the queue is initially defined, an error is generated.

**expedite** — This keyword ensures that the queue is treated in an expedited manner independent of the forwarding classes mapped to the queue.

**best-effort** — This keyword ensures that the queue is treated in a non-expedited manner independent of the forwarding classes mapped to the queue.

**auto-expedite** — This keyword allows the system to auto-define the way the queue is serviced by the hardware. When **auto-expedite** is defined on the queue, the queue is treated in an expedited manner when all forwarding classes mapped to the queue are configured as expedited types nc, ef, h1 or h2. When a single non-expedited forwarding class is mapped to the queue (be, af, l1 and l2) the queue automatically falls back to non-expedited status.

**Default** auto-expedite

**multipoint** — This keyword specifies that this *queue-id* is for multipoint forwarded traffic only. This *queue-id* can only be explicitly mapped to the forwarding class multicast, broadcast, or unknown unicast ingress traffic. If you attempt to map forwarding class unicast traffic to a multipoint queue, an error is generated and no changes are made to the current unicast traffic queue mapping.

A queue must be created as multipoint. The **multipoint** designator cannot be defined after the queue is created. If an attempt is made to modify the command to include the **multipoint** keyword, an error is generated and the command will not execute.

The **multipoint** keyword can be entered in the command line on a pre-existing multipoint queue to edit *queue-id* parameters.

*pool-name* — The specified pool-name identifies a named pool where the policy will be applied. Each queue created within the system is tied to a physical port. When the policy is applied and the queue is created, the system will scan the named pools associated with the port to find the specified pool name. If the pool is not found on the port, the system will then look at named pools defined at the ports XMA or MDA level. If the pool name is not found on either the port, XMA, or MDA, the queue will be marked as ‘pool-orphaned’ and will be mapped to the appropriate default pool. If the pool comes into existence, the queue will be moved from the default pool to the new named pool and the ‘pool-orphaned’ state will be cleared. The specified name must be an ASCII name string up to 16 characters long.

**Values** Any valid ASCII name string

**Default** None

The queue’s pool association may only be removed by either re-executing the queue command without the pool keyword or by executing the no pool command within the queue’s CLI context. When the pool name is removed, the queue will be placed on the appropriate default pool.

## pool

|                    |                                                                                                                                                                                                                                                                                                                                                                                                  |
|--------------------|--------------------------------------------------------------------------------------------------------------------------------------------------------------------------------------------------------------------------------------------------------------------------------------------------------------------------------------------------------------------------------------------------|
| <b>Syntax</b>      | <b>pool</b> <i>pool-name</i> [create]<br><b>no pool</b> <i>pool-name</i>                                                                                                                                                                                                                                                                                                                         |
| <b>Context</b>     | config>qos>shared-queue>queue                                                                                                                                                                                                                                                                                                                                                                    |
| <b>Description</b> | This command is utilized once the queue is created within the policy. The pool command may be used to either remove the queue from the pool, or specify a new pool name association for the queue. The pool command does not appear in save or show command output. Instead, the current pool name for the queue will appear (or not appear) on the queue command output using the pool keyword. |

## Named Pools QoS Policy Command Reference

The **no** form of the command removes a named pool association for the queue. When the pool name is removed, the queue will be placed on the appropriate default pool.

**Default**     **None**

**Parameters**     *pool-name* — The specified pool-name identifies a named pool where the policy will be applied. Each queue created within the system is tied to a physical port. When the policy is applied and the queue is created, the system will scan the named pools associated with the port to find the specified pool name. If the pool is not found on the port, the system will then look at named pools defined at the ports XMA or MDA level. If the pool name is not found on either the port, XMA, or MDA, the queue will be marked as ‘pool-orphaned’ and will be mapped to the appropriate default pool. If the pool comes into existence, the queue will be moved from the default pool to the new named pool and the ‘pool-orphaned’ state will be cleared. The specified name must be an ASCII name string up to 32 characters long.

## Network Queue QoS Policy Commands

### network-queue

**Syntax**     **[no] network-queue *policy-name***

**Context**     config>qos

**Description**     This command creates a context to configure a network queue policy. Network queue policies define the ingress network queuing at the XMA or MDA network node level and at the Ethernet port and SONET/SDH path level to define network egress queuing.

Network queue policies define ingress and egress network queues similar to a sap-ingress QoS policy.

**Default**     default

**Parameters**     *policy-name* — The name of the network queue policy.

**Values**     Valid names consist of any string up to 32 characters long composed of printable, 7-bit ASCII characters. If the string contains special characters (#, \$, spaces, etc.), the entire string must be enclosed within double quotes.

### queue

**Syntax**     **queue *queue-id* [**multipoint**] [*queue-type*] [*queue-mode*] pool *pool-name***  
**queue *queue-id* [**multipoint**] [*queue-type*] pool *pool-name***  
**no queue *queue-id***

**Context**     config>qos>network-queue



**Description** This command creates the context to configure a QoS network-queue policy queue.

Explicit definition of an ingress queue's hardware scheduler status is supported. A single ingress queue allows support for multiple forwarding classes. The default behavior automatically chooses the expedited or non-expedited nature of the queue based on the forwarding classes mapped to it. As long as all forwarding classes mapped to the queue are expedited (nc, ef, h1 or h2), the queue is treated as an expedited queue by the hardware schedulers. When any non-expedited forwarding classes are mapped to the queue (be, af, l1 or l2), the queue is treated as best effort (be) by the hardware schedulers. The expedited hardware schedulers are used to enforce expedited access to internal switch fabric destinations. The hardware status of the queue must be defined at the time of queue creation within the policy.

The **queue** command allows the creation of multipoint queues. Only multipoint queues can receive ingress packets that need flooding to multiple destinations. By separating the unicast for multipoint traffic at service ingress and handling the traffic on separate multipoint queues, special handling of the multipoint traffic is possible. Each queue acts as an accounting and (optionally) shaping device offering precise control over potentially expensive multicast, broadcast and unknown unicast traffic. Only the back-end support of multipoint traffic (between the forwarding class and the queue based on forwarding type) needs to be defined. The individual classification rules used to place traffic into forwarding classes are not affected. Queues must be defined as multipoint at the time of creation within the policy.

The multipoint queues are for multipoint-destined service traffic. Within non-multipoint services, such as Epipe services, all traffic is considered unicast due to the nature of the service type. Multicast and broadcast-destined traffic in an Epipe service will not be mapped to a multipoint service queue.

When a QoS policy with multipoint queues is applied to an Epipe or IES SAP, the multipoint queues are not created. Any billing or statistical queries about a multipoint queue on a non-multipoint service returns zero values. Any queue parameter information requested about a multipoint queue on a non-multipoint service returns the queue parameters in the policy. Buffers will not be allocated for multipoint queues on non-multipoint services. Buffer pool queries return zero values for actual buffers allocated and current buffer utilization.

The **no** form of this command removes the *queue-id* from the network-queue policy and from any existing SAPs using the policy. If any forwarding class forwarding types are mapped to the queue, they revert to their default queues. When a queue is removed, any pending accounting information for each SAP queue created due to the definition of the queue in the policy is discarded.

The **pool** keyword is a create time parameter that allows the queue to receive buffers from an explicit buffer pool instead of the default buffer pool. The specified pool-name must have been explicitly created in a named-pool-policy and the policy must have been applied to the XMA, MDA, or port on which the queue resides.

If the specified pool-name does not exist on the XMA or MDA, the queue will be treated as 'pool orphaned' and will be mapped to the appropriate default pool. Once the pool comes into existence on the XMA or MDA or port, the queue will be mapped to the new pool.

Once the queue is created within the policy, the **pool** command may be used to either remove the queue from the pool, or specify a new pool name association for the queue. The **pool** command does not appear in **save** or **show** command output. Instead, the current pool name for the queue will appear (or not appear) on the queue command output using the **pool** keyword.

## Named Pools QoS Policy Command Reference

The queue's pool association may only be removed by either re-executing the **queue** command without the **pool** keyword or by executing the **no pool** command within the queue's CLI context. When the pool name is removed, the queue will be placed on the appropriate default pool.

### Parameters

*queue-id* — The *queue-id* for the queue, expressed as an integer. The *queue-id* uniquely identifies the queue within the policy. This is a required parameter each time the queue command is executed.

**Values** 1 to 32

*queue-type* — The **expedite**, **best-effort** and **auto-expedite** queue types are mutually exclusive to each other. Each defines the method that the system uses to service the queue from a hardware perspective. While parental virtual schedulers can be defined for the queue, they only enforce how the queue interacts for bandwidth with other queues associated with the same scheduler hierarchy. An internal mechanism that provides access rules when the queue is vying for bandwidth with queues in other virtual schedulers is also needed. A keyword must be specified at the time the queue is created in the network-queue policy. If an attempt is made to change the keyword after the queue is initially defined, an error is generated.

**expedite** — This keyword ensures that the queue is treated in an expedited manner independent of the forwarding classes mapped to the queue.

**best-effort** — This keyword ensures that the queue is treated in a non-expedited manner independent of the forwarding classes mapped to the queue.

**auto-expedite** — This keyword allows the system to auto-define the way the queue is serviced by the hardware. When **auto-expedite** is defined on the queue, the queue is treated in an expedited manner when all forwarding classes mapped to the queue are configured as expedited types nc, ef, h1 or h2. When a single non-expedited forwarding class is mapped to the queue (be, af, l1 and l2) the queue automatically falls back to non-expedited status.

**Values** expedite, best-effort, auto-expedite

**Default** auto-expedite

**multipoint** — This keyword specifies that this *queue-id* is for multipoint forwarded traffic only. This *queue-id* can only be explicitly mapped to the forwarding class multicast, broadcast, or unknown unicast ingress traffic. If you attempt to map forwarding class unicast traffic to a multipoint queue, an error is generated and no changes are made to the current unicast traffic queue mapping.

A queue must be created as multipoint. The **multipoint** designator cannot be defined after the queue is created. If an attempt is made to modify the command to include the **multipoint** keyword, an error is generated and the command will not execute.

The **multipoint** keyword can be entered in the command line on a pre-existing multipoint queue to edit *queue-id* parameters.

**Values** multipoint or not present

**Default** Not present (the queue is created as non-multipoint)

*queue-mode* — Specifies the mode in which the queue is operating. This attribute is associated with the queue at the time of creation and cannot be modified thereafter.

**Values**

**profile-mode:** When the queue is operating in the profile mode (or, the color aware mode), the queue tries to provide the appropriate bandwidth to the packets with different profiles. The profiles are assigned according to the configuration of the forwarding class or the sub-forwarding class.

**priority-mode:** The queue is capable of handling traffic differently with two distinct priorities. These priorities are assigned by the stages preceding the queuing framework in the system. In priority mode, the queue does not have the functionality to support the profiled traffic and in such cases the queue will have a degraded performance. However, the converse is not valid and a queue in profile mode should be capable of supporting the different priorities of traffic.

*pool-name* — The specified pool-name identifies a named pool where the policy will be applied. Each queue created within the system is tied to a physical port. When the policy is applied and the queue is created, the system will scan the named pools associated with the port to find the specified pool name. If the pool is not found on the port, the system will then look at named pools defined at the ports, XMA, or MDA level. If the pool name is not found on either the port, XMA or MDA, the queue will be marked as ‘pool-orphaned’ and will be mapped to the appropriate default pool. If the pool comes into existence, the queue will be moved from the default pool to the new named pool and the ‘pool-orphaned’ state will be cleared. The specified name must be an ASCII name string up to 16 characters long.

**Values** Any valid ASCII name string

**Default** None

## pool

|                    |                                                                                                                                                                                                                                                                                                                                                                                                                                                                                                                                                                                           |
|--------------------|-------------------------------------------------------------------------------------------------------------------------------------------------------------------------------------------------------------------------------------------------------------------------------------------------------------------------------------------------------------------------------------------------------------------------------------------------------------------------------------------------------------------------------------------------------------------------------------------|
| <b>Syntax</b>      | <b>pool</b> <i>pool-name</i> [ <b>create</b> ]<br><b>no pool</b> <i>pool-name</i>                                                                                                                                                                                                                                                                                                                                                                                                                                                                                                         |
| <b>Context</b>     | config>qos>network-queue>queue                                                                                                                                                                                                                                                                                                                                                                                                                                                                                                                                                            |
| <b>Description</b> | This command is utilized once the queue is created within the policy. The pool command may be used to either remove the queue from the pool, or specify a new pool name association for the queue. The pool command does not appear in save or show command output. Instead, the current pool name for the queue will appear (or not appear) on the queue command output using the <b>pool</b> keyword.<br><br>The <b>no</b> form of the command removes a named pool association for the queue. When the pool name is removed, the queue will be placed on the appropriate default pool. |
| <b>Default</b>     | None                                                                                                                                                                                                                                                                                                                                                                                                                                                                                                                                                                                      |

## Named Pools QoS Policy Command Reference

**Parameters** *pool-name* — The specified pool-name identifies a named pool where the policy will be applied. Each queue created within the system is tied to a physical port. When the policy is applied and the queue is created, the system will scan the named pools associated with the port to find the specified pool name. If the pool is not found on the port, the system will then look at named pools defined at the ports XMA or MDA level. If the pool name is not found on either the port, XMA, or MDA, the queue will be marked as ‘pool-orphaned’ and will be mapped to the appropriate default pool. If the pool comes into existence, the queue will be moved from the default pool to the new named pool and the ‘pool-orphaned’ state will be cleared. The specified name must be an ASCII name string up to 32 characters long.

## Show Commands

### Named Pool Show Commands

#### named-pool-policy

**Syntax** **named-pool-policy**  
**named-pool-policy** *policy-name* [**detail**]  
**named-pool-policy** *policy-name* **association**

**Context** show>qos

**Description** This command displays information on named pool policies.

**Parameters** *policy-name* — Each named pool policy must be uniquely named within the system. Names of up to 32 ASCII characters are supported with the normal character restrictions. A named pool policy must exist prior to applying the policy name to an XMA, MDA, or port.

**Values** Up to 32 character ASCII string

**detail** — Displays detailed information on the given policy name.

**association** — Displays the associations connected to the given policy name.

#### Output

##### Sample Output

```
show qos named-pool-policy
=====
Named-Pool Policies
=====
Policy Name Description

test (not-specified)
test57 (not-specified)
```

## sap-ingress

- Syntax** `sap-ingress policy-id detail`
- Context** `show>qos`
- Description** This command displays pools associated/configured to a queue.
- Output**

**Sample Output**

```

B:SR7-10# show qos sap-ingress 2 detail
=====
QoS Sap Ingress

Sap Ingress Policy (2)

Policy-id : 2 Scope : Template
Default FC : be Priority : Low
Criteria-type : None
Description : for ingress traffic

Queue Mode CIR Admin PIR Admin CBS HiPrio PIR Lvl/Wt Parent
 CIR Rule PIR Rule MBS PIR Lvl/Wt
 Named-Buffer Pool

1 Prio 0 max def def 1/1 None
 closest closest def
 port_1
2 Prio 0 max def def 1/1 None
 closest closest def
 port_2
3 Prio 0 max def def 1/1 None
 closest closest def
 pool_50

```

## sap-egress

- Syntax** `sap-egress policy-id detail`
- Context** `show>qos`
- Description** This command displays pools associated/configured to a queue.

## network-queue

- Syntax** `network-queue policy-id detail`
- Context** `show>qos`

## Named Pools QoS Policy Command Reference

**Description** This command displays pools associated/configured to a queue.

### shared-queue

**Syntax** **shared-queue default detail**

**Context** show>qos

**Description** This command displays pool name details pertaining to a shared-queue.

**Output**

#### Sample Output

```
A:ALA-A>show>qos# shared-queue default detail
=====
QoS Shared Queue Policy

Shared Queue Policy (default)

Policy : default
Description : Default Shared Queue Policy

Queue CIR PIR CBS MBS HiPrio Multipoint Pool-Name

1 0 100 1 50 10 FALSE pool1
...

A:ALA-A>show>qos#
```

### slope-policy

**Syntax** **slope-policy slope-name detail**

**Context** show>qos

**Description** This command displays configuration details of a slope policy for a named pool.

**Output**

#### Sample Output

```
A:ALA-A>show>qos#
..

Named-Pool Associations

Policy-Name Pool-Name

test p1
```

```

testOrig pl
=====
..
A:ALA-A>show>qos#

```

## card

- Syntax** `card card-slot detail | match "Named Pool Mode"`
- Context** show
- Description** This command checks the card specified named pool mode.
- Output**

### Sample Output

```

show card 1 detail | match "Named Pool Mode"
=====
Named Pool Mode : Configured (Enabled)
=====

```

## mda

- Syntax** `mda slot detail`  
`mda slot qos [ingress | egress] buffer-allocation [detail]`  
`mda slot qos [ingress | egress] orphaned-queues`
- Context** show
- Description** This command displays named pool policies configured for an XMA or MDA.
- Output**

### Sample Output

```

show mda 1/2 detail

QOS Settings

Ing. Named Pool Policy : test
Egr. Named Pool Policy : test
=====

A:SR7-10# show mda 1/2 qos ingress buffer-allocation

Total buffer space: 122605 kBytes
Total default buffer space (kBytes): Access: 8171 Network: 12256
Total mda buffer space (kBytes): Access: 16347 Network: 61306
=====
Port Allocation Weights

```

## Named Pools QoS Policy Command Reference

```

=====
Port Percent Total Bw Total Buffer Default % Mda % Port %

1/2/1 100 1000000 12260 16 33 50
1/2/2 100 1000000 12260 16 33 50
1/2/3 100 1000000 12260 16 33 50
1/2/4 100 1000000 12260 16 33 50
1/2/5 100 1000000 12260 16 33 50
1/2/6 100 1000000 12260 16 33 50
1/2/7 100 1000000 12260 16 33 50
1/2/8 100 1000000 12260 16 33 50
1/2/9 100 1000000 12260 16 33 50
1/2/10 100 1000000 12260 16 33 50
=====

```

```

=====
Named Pool Information
=====

```

```

Mda/Port Pool Name Pool Size

1/2 p2 11093
1/2 p3 11093
1/2 port_1 11093
1/2 port_2 11093
=====

```

```
A:SR7-10# show mda 1/2 qos ingress buffer-allocation detail
```

```

Total buffer space: 122605 kBytes
Total default buffer space (kBytes): Access: 8171 Network: 12256
Total mda buffer space (kBytes): Access: 16347 Network: 61306
=====

```

```

Port Allocation Weights
=====

```

```

Port Percent Total Bw Total Buffer Default % Mda % Port %
Acc/Net Acc/Net Acc/Net Buffer Space

1/2/1 100 1000000 12260 16 33 50
Access 0 0 0 0 0 0
Network 1000000 12260 2042 4086 6130
1/2/2 100 1000000 12260 16 33 50
Access 1000000 12260 2042 4086 6130
Network 0 0 0 0 0
1/2/3 100 1000000 12260 16 33 50
Access 0 0 0 0 0
Network 1000000 12260 2042 4086 6130
1/2/4 100 1000000 12260 16 33 50
Access 0 0 0 0 0
Network 1000000 12260 2042 4086 6130
1/2/5 100 1000000 12260 16 33 50
Access 1000000 12260 2042 4086 6130
Network 0 0 0 0 0
1/2/6 100 1000000 12260 16 33 50
Access 1000000 12260 2042 4086 6130
Network 0 0 0 0 0
1/2/7 100 1000000 12260 16 33 50
Access 1000000 12260 2042 4086 6130
Network 0 0 0 0 0
1/2/8 100 1000000 12260 16 33 50
Access 0 0 0 0 0
Network 1000000 12260 2042 4086 6130
=====

```



## Named Pools

```

1/2/9 100 1000000 12260 16 33 50
 Access 0 0 0 0 0
 Network 1000000 12260 2042 4086 6130
1/2/10 100 1000000 12260 16 33 50
 Access 0 0 0 0 0
 Network 1000000 12260 2042 4086 6130

```

### Named Pool Information

```

=====
Mda/Port Pool Name Pool Size
 Access Network
 Weight Total Buffer Space Weight Total Buffer Space

1/2 p2 11093
 50 350 2334 50 350 8754
1/2 p3 11093
 50 350 2334 50 350 8754
1/2 port_1 11093
 50 350 2334 50 350 8754
1/2 port_2 11093
 50 350 2334 50 350 8754
1/2 port_3 11093
 50 350 2334 50 350 8754

```

## port

**Syntax** `port port-id detail`

**Context** show

**Description** This command displays named pool policies configured for a given port.

**Output**

### Sample Output

```

show port 1/2/10 detail
=====
Ing. Pool Policy : n/a
Egr. Pool Policy : test
=====

```

```

show port 1/2/10 detail
=====
Ing. Pool % Rate : 100 Egr. Pool % Rate : 100
=====

```

## Named Pools QoS Policy Command Reference

### pools

**Syntax** `pools port-id`

**Context** show

**Description** This command displays XMA, MDA, or port pools. If the pool size is zero, there are no queues associated with the pool and the pool is not in use (configured but not instantiated). To display details about an ingress/egress named pool, use the command **show pools 1/2 ingress | egress p2**. The output of the command shows which queues are using the named pool specified.

### Output

#### Sample Output

```
A:SR7-10# show pools 1/2
```

```
=====
Type Id App. Pool Name Actual ResvCBS PoolSize
Admin ResvCBS

MDA 1/2 Acc-Ing default 4096 8192
50%
MDA 1/2 Acc-Ing MC Path Mgnt 10240 20480
50%
MDA 1/2 Acc-Egr default 7168 14336
50%
MDA 1/2 Net-Ing default 5120 12288
40%
MDA 1/2 Net-Egr default 12288 24576
50%
MDA 1/2 Ingress p1 0 0
Policy: test 30%
MDA 1/2 Ingress p2 4096 12288
Policy: test 30%
MDA 1/2 Ingress p3 4096 12288
Policy: test 30%
=====
```

# High Scale Ethernet MDA Capabilities

---

## In This Section

This section provides information to configure HSMDA QoS policies using the command line interface.

Topics in this section include:

- [HSMDA QoS Model](#)
- [SAP Ingress and SAP Egress QoS Policies](#)
- [Subscriber Queuing Differences](#)
- [Basic HSMDA Configurations](#)
- [Applying HSMDA Policies](#)
- [HSMDA Features](#)

## HSMDA QoS Model

This section describes QoS capabilities of the High Scale Ethernet MDA (HSMDA). The HSMDA extends subscriber and service density of the first and second generation IOMs by adding an XMA or MDA level of ingress and egress queues, shapers and schedulers.

The HSMDA replaces the ingress and egress service queuing function performed by the ingress and egress forwarding plane on the IOM, providing up to 160K service or subscriber-based queues in each direction. The queues are configured in groups of eight. The addition of the ingress packet classification and queues allows QoS classification and service-level queuing to be performed on the XMA or MDA instead of the directly-attached IOM forwarding plane. The egress side of the HSMDA relies on the existing egress forwarding plane to map egress packets to the HSMDA egress queues.

The HSMDA moves service and subscriber-level ingress and egress QoS functions off the IOM forwarding plane to the XMA or MDA. The HSMDA QoS model provides the following features:

- Expanded queue scale for ingress and egress

- Hardware implemented provider style port based scheduling
- Elimination of ingress dual pass queuing at the ingress hardware
- Egress intermediate destination (such as DSLAM) shaping using secondary shapers
- Expanded counters at ingress and egress
- CIR Bypass for color aware policing
- Ingress queue policing mode
- RED queue congestion control
- Egress dot1p remarking per packet based on egress queue scheduling rate
- Per queue packet byte offset for queue stats, queue PIR, queue CIR and queue group PIR accounting

## Queue Scaling

The HSMDA supports 160,000 queues in the ingress and egress directions. Each queue supports two leaky buckets that perform a PIR shaping function and a CIR marking function based on scheduled rate out of the queue. Each queue also supports two RED slopes that may be used for managing queue congestion.

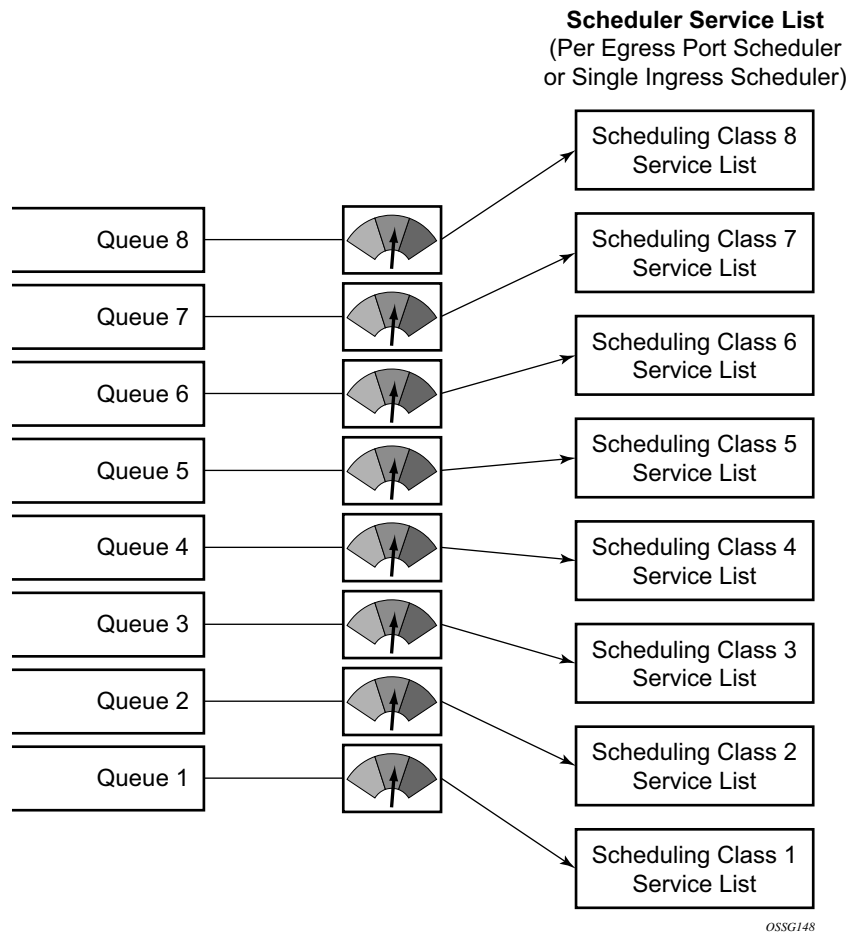
The queues are grouped into sets of eight queues each. 3840 queues are reserved for the system. A set of eight queues is called a queue group and is internally identified by a queue-group-id. Each queue within a group is numbered from 1 to 8 represented internally as the queue-id. The queue-id has an implicit scheduling class association based on the number of the queue (for example, queue 3 is a member of scheduling class 3). Queue groups are dynamically mapped to egress ports on an as needed basis.

Individual queues are also mapped to 1 of 64 secondary shapers, each representing an egress intermediate destination (such as a DSLAM). One is pre-allocated per egress port, so only 54 are user-definable in 10x1G HSMDAs and 63 are user-definable in 1x10G HSMDAs.

## Port-Based Scheduling

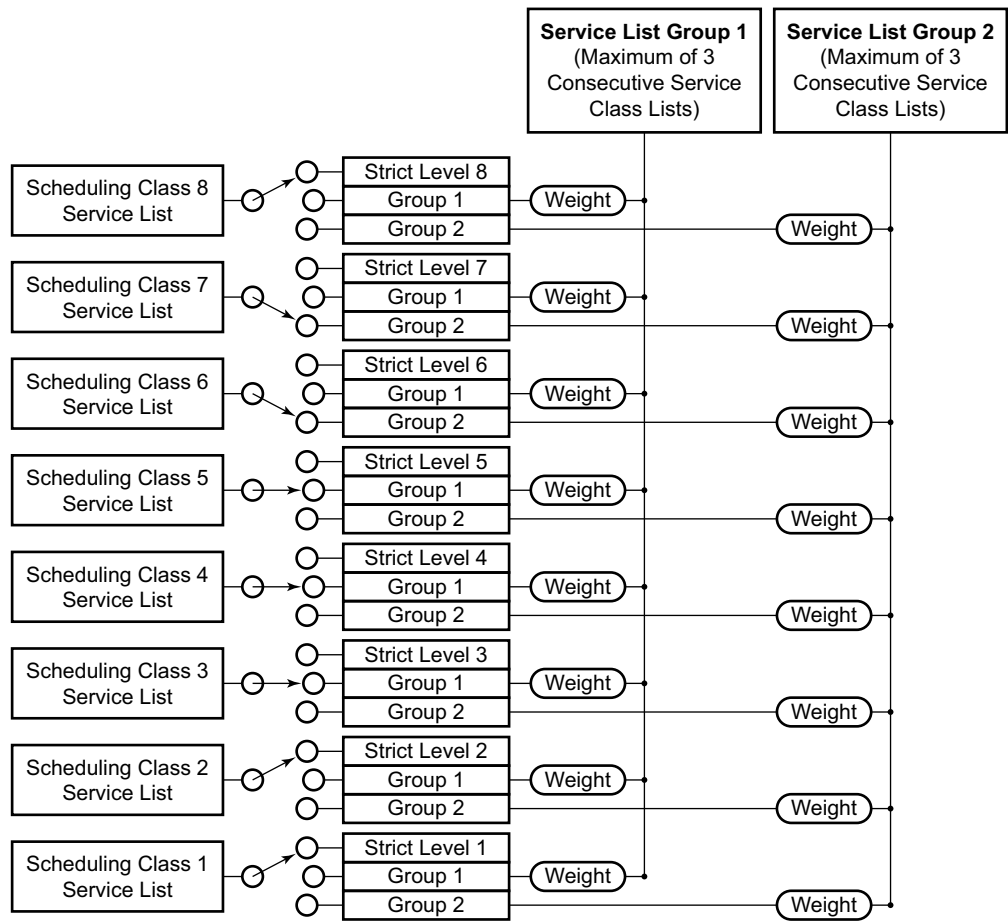
Forwarding for each egress port on the HSMDA is managed by a port-based scheduler. Each port-based scheduler maintains a maximum of eight strict forwarding levels ([Figure 41](#)). Strict level 8 is the highest priority while strict level 1 is the lowest. There are also eight scheduling classes that contain each of the queues assigned to the port scheduler. A queue's membership in a scheduler class is controlled by the queue's identifier. For example, all queues with a queue-id equal to 1 are in scheduler class 1 while all queues with queue-id equal to 2 are in scheduler class 2. By default, each scheduler class is directly mapped to its corresponding strict scheduling level.

**Figure 41: HSMDA Queue Mapping to Scheduler Class Service Lists**



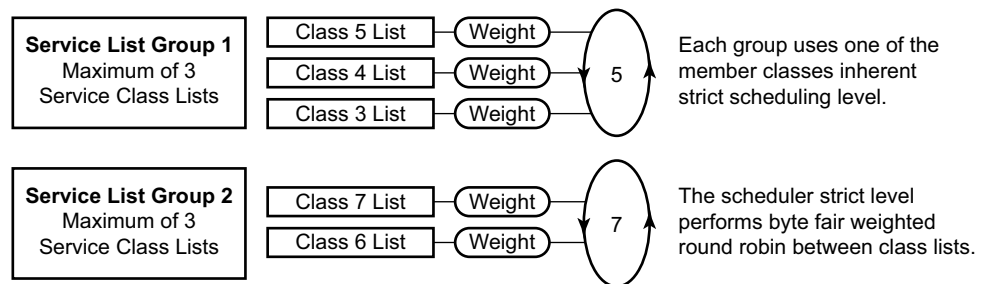
To allow for weighted servicing of selected scheduling classes, the port scheduler allows for two weighted groups to be optionally created (weighted-group-1 and weighted-group-2) and each may be populated with up to three consecutive scheduling classes (Figure 42). The group itself maps to the highest inherent strict scheduling level of its member scheduling classes. Each scheduling class in a scheduling group are individually weighted which allows for all queues represented by the class to be service according to the ratio of weights based on the active classes in the group (Figure 43).

**Figure 42: Scheduler Class Mapping to Strict Level or Weighted Group Example**



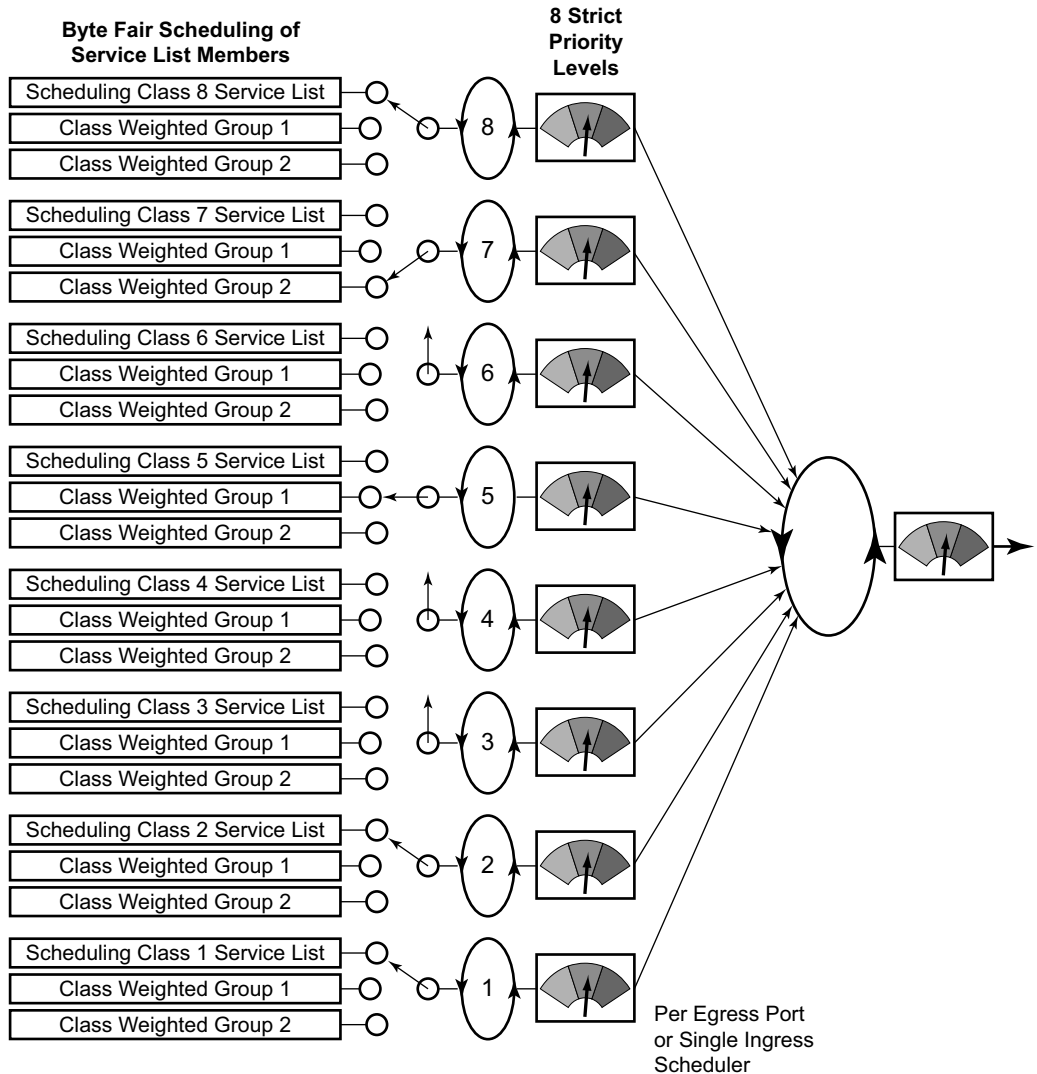
OSSG149

**Figure 43: Scheduler Weighted Group Configuration Example**



OSSG150

**Figure 44: Scheduler Class and Weighed Group Scheduling Priority Mapping Example**



OSSG151

The port based scheduler supports a port based shaper used for creating a sub-rate condition on the egress port. Each individual strict scheduling level may also be configured with a shaping rate used to limit the amount of bandwidth allowed for that strict level. In all, shaping PIRs can be defined at the following points in the queuing and scheduling architecture:

- Per port shaper
- Per strict level shaper

- Intermediate destination shaper (egress)
- Per queue-group shaper
- Per queue shaper

## Dual Pass Queuing

In the standard queuing model, the ingress hardware performs both per service ingress SLA enforcement as well as per switch fabric destination based virtual output queuing. Due to the requirement that each queue on ingress be mapped to a single switch fabric destination, when a SAP for a service type that forwards to multiple switch fabric destinations (such as VPLS, IES and VPRN services), a single ingress service queue is created as multiple hardware virtual output queues in the hardware. In environments where the SAP or subscriber density requires more service queues than can be created with the available ingress hardware queues, two passes through the hardware are performed. This dual pass mechanism allows a single hardware queue to represent a service queue on the first pass through the hardware while the second pass allows the hardware to use shared virtual output queues into the switch fabric.

HSMDA removes the need to perform two passes through ingress since the service or subscriber-based queuing is being performed on the XMA or MDA. This frees the ingress hardware to perform the virtual output queuing function using shared queues mapped to switch fabric destinations.

## Egress Intermediate Destination Secondary Shapers

The HSMDA supports placement at the apex of an aggregation network servicing multiple DSLAMs or other subscriber last-mile aggregation devices such as DSLAMs or gigabit passive optical network optical network terminals (GPON ONT). When operating in this fashion, multiple subscriber aggregators will be reached over an HSMDA 10GE port. The egress port scheduler combines all subscriber queues of the same scheduling class and services the queues in a byte fair round robin fashion. An effect of this behavior results in more packets being forwarded into the aggregation network towards a DSLAM than the DSLAM can accept. If the HSMDA egress port is congested, the egress bandwidth represented by the downstream discarded packets to the DSLAM may have been allocated to packets destined to other DSLAMs. The HSMDA supports egress secondary shapers that are used to provide a control mechanism to prevent downstream overruns without affecting the class based scheduling behavior on the port. When used in this manner, the secondary shaper is called an intermediate destination shaper. Egress secondary shapers are configured on a per port basis.

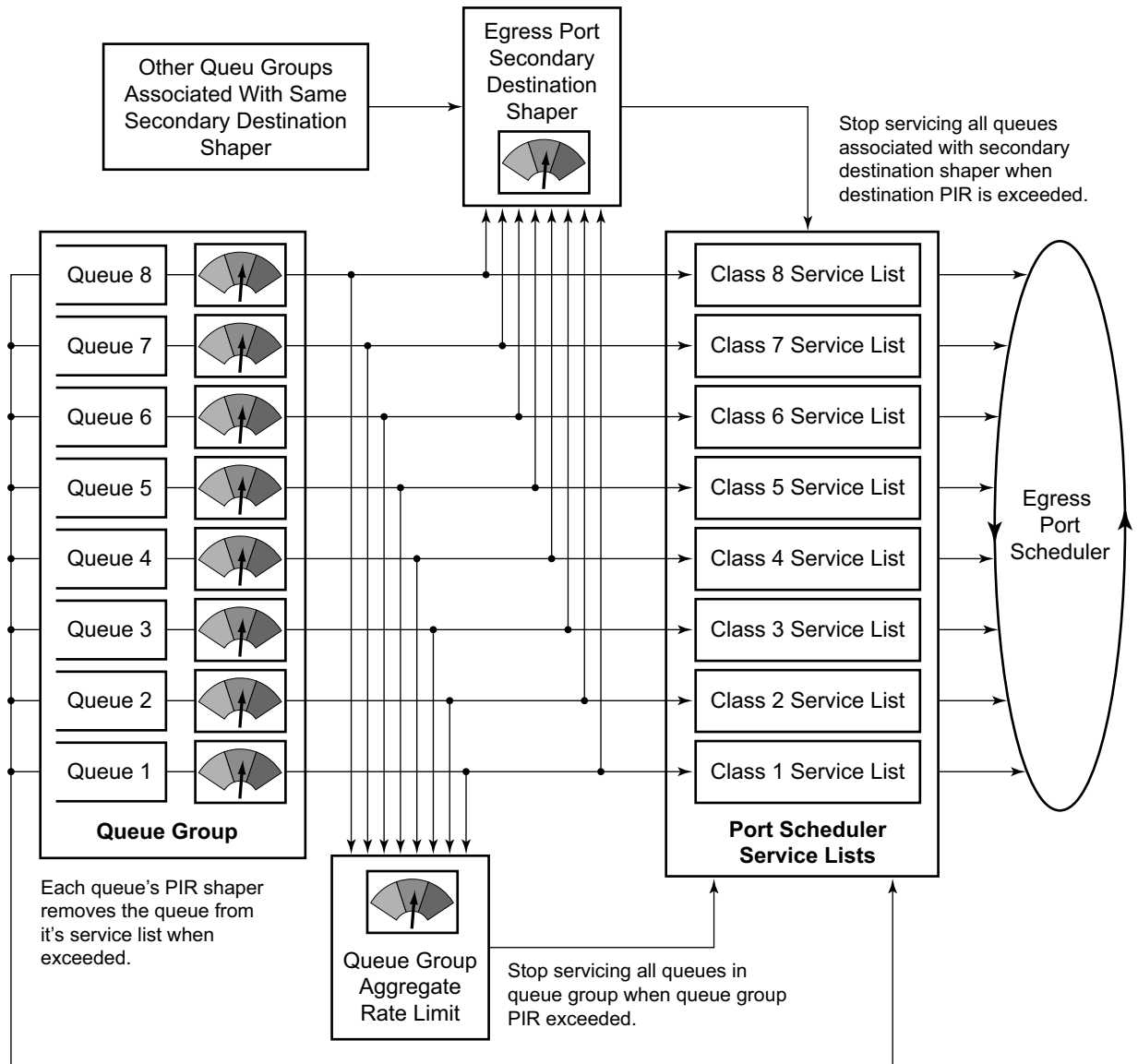


In other systems, the downstream destination is represented as a scheduler in a tiered hierarchical scheduler. This means that bandwidth is allocated on a per DSLAM basis without regard to the class of packets being forwarded to that DSLAM. In this model, a set of subscribers on one DSLAM receiving packets for a premium service are treated equally to subscribers on other DSLAMs receiving packets associated with best-effort type services.

The intermediate destination secondary shaper solves the downstream overrun issue without sacrificing class preference at the HSMDA egress port scheduler. All subscribers destined to the same DSLAM have their queue groups mapped to the same egress secondary shaper. As the scheduler services the queues within the groups according to their scheduler class, the intermediate destination shaper is updated. Once the shaper's rate threshold is exceeded, scheduling for all queues associated with the shaper is stopped. Once the dynamic rate drops below the threshold, the queues are allowed to be placed back on to the scheduler service lists. By removing the queues from their scheduling context for a downstream congested DSLAM, the port scheduler is allowed to fill the egress port with packets destined to other DSLAMs without sacrificing class behavior on the port.

64 egress secondary shapers are supported which may be dynamically associated with an egress physical port. Each HSMDA queue must be associated with a secondary shaper. By default, a secondary shaper is created per physical port and all queues within a queue group on the port are associated with the default secondary shaper. All default secondary shapers will operate at the maximum rate and have no impact on queue scheduling. The hardware supports mapping individual queues within a queue group to separate secondary shapers. Based on the intended use case for secondary shapers, the provisioning model does not allow queues within the same queue group to map to separate secondary shapers. Queues are mapped to a secondary shaper on a queue group basis.

**Figure 45: HSMDA Egress Queue Group and Secondary Destination Shaper Behavior**



OSSG152

## Packet and Octet Counting

Each queue group supports a set of 16 counters. Each set of counters is identified by a counter-id and contains individual counters for:

- Discarded out-of-profile (low priority) packet
- Discarded out-of-profile (low priority) octet
- Discarded in-profile (high priority) packet
- Discarded in-profile (high priority) octet
- Forwarded out-of-profile packet
- Forwarded out-of-profile octet
- Forwarded in-profile packet
- Forwarded in-profile octet

The discard counters are incremented during enqueueing discarded events and the forward counters are incremented during scheduled dequeuing events.

For standard ingress queues, the offered stats-per-queue are counted by the ingress forwarding plane. For standard egress queues, the offered stats are derived by adding the hardware per-queue discard and forward stats. This means packets waiting to be scheduled in a standard egress queue will not be counted until it is forwarded. The HSMDA queue-offered stats operate the same as the standard egress queues where the discard and forwarded stats are combined to derive the offered stats for an HSMDA queue.

The decision on the counter to use is made per packet by HSMDA ingress hardware or by the egress forwarding plane hardware. The default behavior is to use the counter-id that corresponds to the queue-id to which the packet is mapped. This means the packets destined to queue 2 will be accounted for by counter set 2 within the same queue group. This sets aside the first eight counter sets as the default counters for the queue group. The remaining eight are available as counter override decisions.

A counter override can be performed within the ingress QoS classification rules wherever an HSMDA is installed.

The eight counter sets used as exception counters are identified as counter 1 through counter 8. While the discard and forwarding statistics can be overridden based on exception criteria, the offered statistics are maintained per queue. This means that the offered statistics for a queue includes all packets offered to the queue, but the discard and forwarding statistics only reflect packets handled by the queue that have not been associated with exception counters. It is possible to estimate the number of packets not represented by the queue statistics by subtracting the discard and forwarding statistics from the queue-offered statistics. The resulting number may be off slightly if packets are still in the queue when the statistics were collected, but this error is minimized when calculated over an appropriate amount of time and can be completely eliminated if the queue is allowed to drain prior to performing the calculation. When the queue statistics and the exception statistics are considered as a whole, all packets handled by the queue group are accurately represented by the counters.

Since the HSMDA only updates a single counter set per packet, overriding the counter for a packet causes that packet not to be represented within the default counter-id for the queue. If the queue counter-id is being used to determine CIR or PIR accuracy or basic throughput for a queue, any packets forwarded through the queue using a counter override is considered.

## Above CIR Discard with PIR Bypass

### HSMDA Ingress Queue Policing Mode

Since HSMDA queue-based CIR and PIR leaky bucket behavior is driven by scheduling events from the queue, a true policing function where the ingress offered rate determines the color of the packet (green, yellow or red) is not available, by default. While enabling a PIR-based shaping rate for the queue will perform a similar function, the shaping function is simply stopping the queue from scheduling. When the queue is stopped, packets are allowed to be buffered within the queue up to the RED slope or MBS-configured limits. The jitter for a shaping queue is based on how full the queue can get and how fast the queue is scheduled (influenced by the queue PIR, queue group PIR and ingress secondary shapers). While the MBS for the queue may be configured to minimize jitter by preventing an excessive amount of data to accumulate in the queue, a policing mode can be enabled on the queue that uses the CIR leaky bucket to dynamically discard packet above the CIR threshold.

The HSMDA ingress queue policing mode behaves normally while the CIR leaky bucket is below its configured threshold. If the CIR fill depth rises above the threshold, the packet is discarded without updating any of the ingress schedulers PIR leaky buckets. The result is that while the queue is operating within its CIR, scheduled packets will be forwarded to the ingress forwarding plane for further processing and each packet will update all applicable PIRs. But when the queue scheduled rate rises above the CIR, scheduled packets are discarded. By discarding out-of-profile packets, the policing rate is enforced without unnecessary jitter based on queue congestion.

In order for ingress policing mode to function properly, the following configuration guidelines should be observed:

- The queue should be scheduled at the highest appropriate strict scheduling priority. If the queue is not scheduled at a high enough priority, scheduling from the queue may momentarily stall. The scope of this issue is limited since the ingress port bandwidth is less than the available scheduling bandwidth to the ingress forwarding plane.

- Ensure that the policing queue is not stalled by the queue groups configured aggregate rate limit. If the queue is not the highest scheduling priority, the sum of the allowed scheduling for the queues with higher scheduling priority may cause the queue groups PIR to be exceeded and thus scheduling for the policing queue will stall. If the queue is at a high enough priority, lower priority queues will only be allowed to consume the group PIR while the higher priority queues are inactive (empty). In the event that lower priority queues cause the PIR to suspend scheduling for the queue group, higher priority queues will have first access to ingress scheduling once the group PIR decrements below the threshold.
- Care should also be taken with ingress secondary shapers. If the queue is assigned to an ingress secondary shaper, the queue may be stalled when the aggregate rate of the queues associated with the shaper exceeds the shapers PIR.

Packets sent to an HSMDA ingress queue configured for policing cannot have the ignore-CIR flag set. Color-aware profiling and ingress queue policing should not be mixed. In the event that a packet is classified as in-profile or out-of-profile while ingress queue policing is configured, the ignore-CIR bit will automatically be reset to zero (the queue CIR will be updated by the packet).

Two implementation options exist to account for out-of-profile scheduling discards:

1. When a packet is discarded due to out-of-profile scheduling, the out-of-profile packet and octet forward counters within the counter ID associated with the packet are updated. If the packet is forwarded, the in-profile packet and octet forward counters within counter ID' are incremented. Software must add the out-of-profile forwarded counter to the low priority discard counter to determine the total discards based on out-of-profile for the queue.
2. Alternatively, the discard event may be hard-coded to increment the discard counters directly. When discarding, the congestion-priority bit is used to determine whether the high or low discard counter is incremented.

For packets discarded at enqueueing time, the high priority or low priority packet and octet discard counters are updated. The decision to use the high or low priority discard counter is driven by the congestion-priority' bit associated with the packet. This bit is set based on both color aware profiling and ingress priority of the packet. If the packet is explicitly classified as in-profile, the bit is set to high. If the packet is explicitly classified as out-of-profile, the bit is set to low. If the profile of the packet is undetermined (not explicitly in-profile or out-of-profile), the bit is set to high or low based on the classified ingress priority of the packet.

## HSMDA Buffer Utilization Controls

The HSMDA has 1 million ingress and 1 million egress 168-byte buffers available for packet queuing purposes. The average of approximately six buffers per queue when all 163,480 are active. Certain queues need more than 6 buffers while other queues require very shallow buffering based on the type of traffic the queue is servicing and the scheduling priority of the queue. To facilitate management of the available buffer space, the HSMDA supports a hierarchical buffer pool scheme and a per queue set of RED slopes. The buffer pools allow proper sharing of the buffer space while the slopes within each queue set limits on how many buffers each queue may consume.

## HSMDA Buffer Pools

Two types of queues are created on the HSMDA; provisioned service or subscriber queues and system created queues. System queues are transparent to the user and perform functions like discard bypass. Since system queues are critical to the operation of the system, normal service or subscriber queue activity will not cause buffer starvation on the system queues. Buffer utilization is separated based on the scheduling class, ensuring that activity on one set of class queues does not impact buffer availability for other class queues.

The pooled buffer management capabilities in the HSMDA include:

- Identifying which queue groups consume provisioning buffers and which consume system reserved buffers.
- Setting the total provisioning buffers available per port for each scheduling class.
- Setting the total system reserved buffers available per port for each scheduling class.
- 32 aggregation buffer pools used for managing buffers available per class and per type (provisioned/system).

## Identifying Queue Groups as Provisioned or System

All queues are contained in a set of eight queues called a queue group. Two sets of 20,480 queue groups exist on the HSMDA, one set for ingress and the other for egress. The queue groups are defined as either provisioned (service or subscriber) or reserved for system use. The HSMDA uses a two 20,480 bit-wide tables to allow the system to define each queue group as either provisioned or system reserved separately for ingress and egress. The queue group id mapping table represented in [Figure 46](#) places queue groups in pool group P (provisioned) or pool group S (system). For ingress and egress, the first 20,000 table entries (0 to 19,999) is set to group P and the remaining 480 (20,000 to 20,479) is set to group S.

**Figure 46: Queue Group ID Mapping Table**

|     |     |     |     |     |     |     |     |     |     |     |     |     |       |
|-----|-----|-----|-----|-----|-----|-----|-----|-----|-----|-----|-----|-----|-------|
| 0   | 1   | 2   | 3   | 4   | 5   | 6   | 7   | 8   | 9   | 10  | 11  | ... | 20479 |
| P/S | P/S | P/S | P/S | P/S | P/S | P/S | P/S | P/S | P/S | P/S | P/S | ... | P/S   |

*OSSG154*

## Provisioned and System Port Class Pools

The HSMDA uses a second table called the port class buffer pools table (Figure 47) that represents a set of 180 buffer pools. Pools 0 through 79 are used by queues within group P and 80 through 179 are used by queues within group S. Each set of eighty pools is divided into 10 subsets of 8 pools each. Each subset is dedicated to a physical port on the HSMDA. For group P, pools 0 through 7 are for port 1, 8 through 15 are for port 2 and pools 72 through 79 are for port 10. A queue is mapped to a pool based on the queue-group-id mapping to P or S and then the port the queue is associated with is used to pick the subset. Within the subset, the internal queue-id is used as an offset to pick an actual pool. Queue-id 0 (provisioned as 1) on port 3 in group P is mapped to pool 16. Each pool in the table also has two aggregate pool pointers used to provide further control on buffer allocation. Agg-Pool-Ptr-1 and Agg-Pool-Ptr-2 arbitrarily tie the port class pool to two aggregate pools from a third table of 32 buffer pools.

**Figure 47: Port Class Buffer Pools Table**

|     |                            |                        |                        |           |
|-----|----------------------------|------------------------|------------------------|-----------|
| 0   | Buffers-Available (21bits) | Agg-Pool-Ptr-1 (5bits) | Agg-Pool-Ptr-2 (5bits) | } Group P |
| 1   | Buffers-Available (21bits) | Agg-Pool-Ptr-1 (5bits) | Agg-Pool-Ptr-2 (5bits) |           |
| 2   | Buffers-Available (21bits) | Agg-Pool-Ptr-1 (5bits) | Agg-Pool-Ptr-2 (5bits) |           |
| 3   | Buffers-Available (21bits) | Agg-Pool-Ptr-1 (5bits) | Agg-Pool-Ptr-2 (5bits) |           |
| ⋮   |                            |                        |                        |           |
| 79  | Buffers-Available (21bits) | Agg-Pool-Ptr-1 (5bits) | Agg-Pool-Ptr-2 (5bits) | } Group S |
| 80  | Buffers-Available (21bits) | Agg-Pool-Ptr-1 (5bits) | Agg-Pool-Ptr-2 (5bits) |           |
| 81  | Buffers-Available (21bits) | Agg-Pool-Ptr-1 (5bits) | Agg-Pool-Ptr-2 (5bits) |           |
| 82  | Buffers-Available (21bits) | Agg-Pool-Ptr-1 (5bits) | Agg-Pool-Ptr-2 (5bits) |           |
| 83  | Buffers-Available (21bits) | Agg-Pool-Ptr-1 (5bits) | Agg-Pool-Ptr-2 (5bits) |           |
| ⋮   |                            |                        |                        |           |
| 159 | Buffers-Available (21bits) | Agg-Pool-Ptr-1 (5bits) | Agg-Pool-Ptr-2 (5bits) |           |

OSSG155

## Aggregate Pools for Type and Class Separation

The third table is called the aggregate control buffer pools table (Figure 48). The table consists of 32 buffer pools that may be used arbitrarily by the port class pools. While the association from port class pool to aggregate control pool is arbitrary based on the 5-bit pointers, it is expected that the control pools will be divided into two groups of 16 pools, each group having two sub-groups of eight pools each (32 pools total). The first aggregate control group (pools 0 through 15) will be for provisioned buffer management and will be used by group P port class pools. The second aggregate control group (pools 16 through 31) will be for system level buffer management and used by group S port class pools.



**Figure 48: Aggregate Control Buffer Pools Table**

|    |                            |
|----|----------------------------|
| 0  | Buffers-Available (21bits) |
| 1  | Buffers-Available (21bits) |
| 2  | Buffers-Available (21bits) |
| 3  | Buffers-Available (21bits) |
| 4  | Buffers-Available (21bits) |
| ⋮  |                            |
| 31 | Buffers-Available (21bits) |

OSSG156

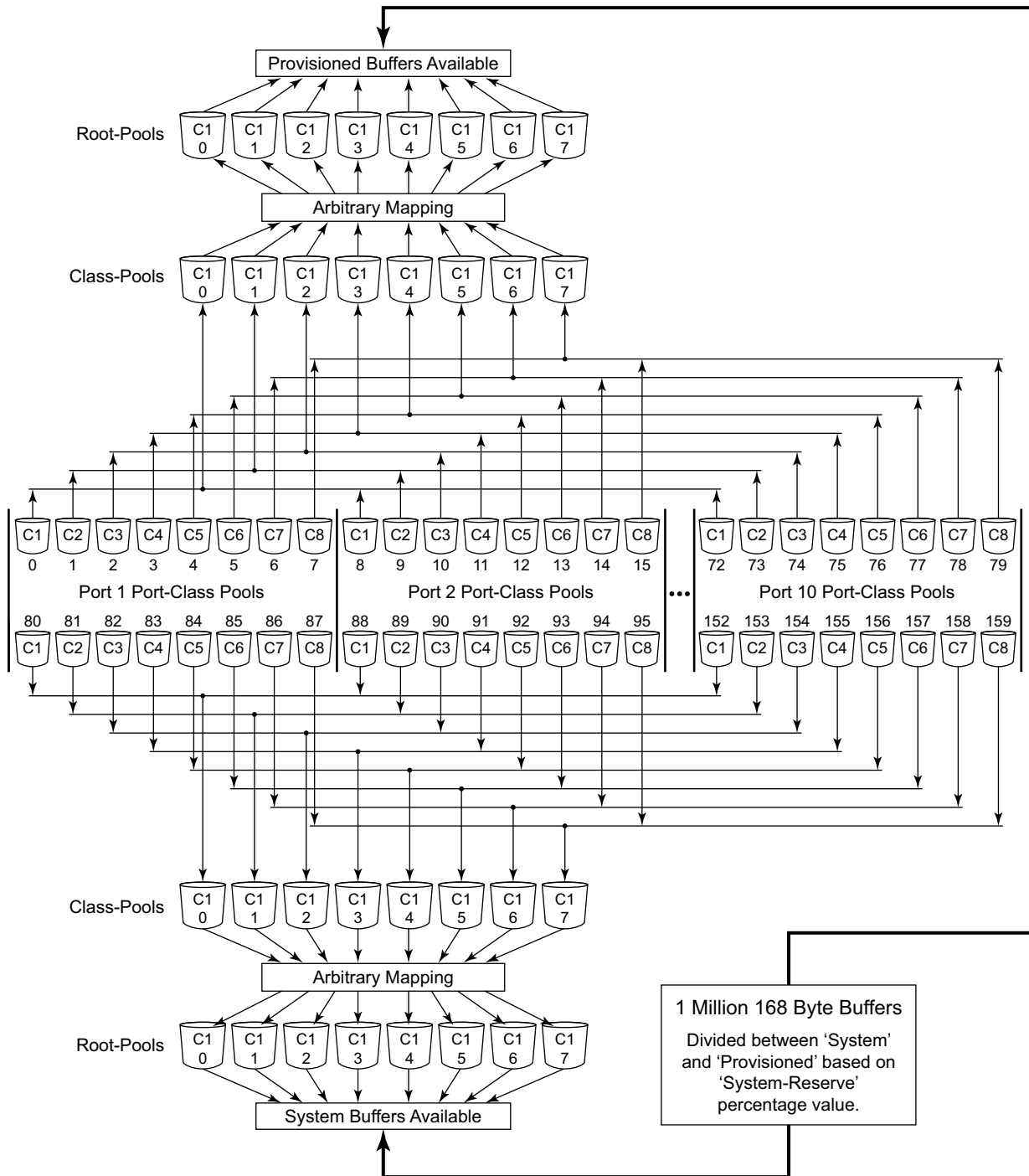
## Use of Aggregate Control Buffer Pools

The aggregate control buffer pools are separated into two sets. The first 16 pools (0 through 15) are used by the provisioned group (group P) port class pools. The second 16 pools (16 through 31) are used by the system group (group S) port class pools.

The first 8 (0 through 7) are used as class based pools. Pool 0 is used by scheduling class 1 (0 internally) and pool 7 is used by scheduling class 8. Agg-Pool-Ptr-1 for port class pools 0, 8, 16, 24, 32, 40, 48, 56, 64 and 72 (all port call pools associated with queues with queue-id 1) is set to aggregate control pool 0. This ensures that all provisioned queues in scheduling class 1 are limited based on the amount of buffering for class 1 on their port and also the total buffers used by the class is limited for the XMA or MDA. If either of the pools is exhausted, the queue will not receive a buffer. In like manner, Agg-Pool-Ptr-1 for all port class pools 1, 9, 17, 25, 33, 41, 49, 57, 65 and 73 is set to pool 1. This is true up to port class pools 7, 15, 23, 31, 39, 47, 55, 63, 71 and 79 having Agg-Pool-Ptr-1 set to pool 7.

The second 8 aggregate control buffer pools (8 through 15) are used as provisioned root pools. The purpose of the root pools is to allow the class pools to be oversubscribed without the possibility of the provisioned buffer usage stealing buffers from the system reserved buffers. Before sizing the provisioned root pools, a portion of the total buffer space is set aside for system purposes. The remaining buffers are divided between the provisioned root pools based on a weight parameter in each root pool. The weights may be set between 0 and 100. A value of zero indicates that a specific provisioned root pool will not receive buffers (pool size will be 0). Because root pools cannot be oversubscribed, they provide a protection mechanism for higher level pools. The number of root pools in use is dependent on the HSMMDA pool policy applied to the XMA or MDA (ingress and egress are controlled by independent policies). The aggregate control class pools are associated with the root pools through the policy as well. [Figure 49](#) represents the buffer pool hierarchy.

Figure 49: Buffer Pool Hierarchy



OSSG157

## HSMDA Buffer Pool Policy

HSMDA buffer pool policies contain information the system uses to configure the individual pool sizes and the root pools used by the class pools. The division between total provisioned and total system buffers is based on the system-reserve parameter that defines the percentage of buffers reserved for system use. The remaining buffers are placed in the provisioned root buffer pools based on the weight associated with each root pool.

The eight class pools within the policy are defined with a root-pool parent association (1 through 8) and a percentage value. The parent associated with the class-pool defines the Agg-Pool-Ptr-2 setting in the port class pools table for each port class pool using the class-pool. For example, if class-pool 1 (aggregate control pool 0) is associated with root-pool 3 (aggregate control pool 10) within the policy, port class pools 0, 8, 16, 24, 32, 40, 48, 56, 64 and 72 will contain a value of 10 in Agg-Pool-Ptr-2. The percentage used to size the class pool is applied to the class pool's root-pool size to derive the class pool size. The sum of the sizes of the class pools parented by a root-pool may exceed (oversubscribe) the root-pool size.

System pools are managed similarly. The actual system port class pools and system aggregate control pools (16 through 31) are not user configurable.

## Default HSMDA Buffer Pool Policy

An HSMDA buffer pool policy named **default** always exists on the system and cannot be deleted or edited. The default policy is used for ingress and egress on all HSMDAs until an explicitly created HSMDA policy is defined on the HSMDA.

The default policy parameters are listed in [Table 59](#).

**Table 59: Default Policy Parameters**

| <b>System Reserve</b> |     |
|-----------------------|-----|
| Percentage:           | 10% |
| Root Pools:           |     |
| Root-Pool 1 Weight:   | 75  |
| Root-Pool 2 Weight:   | 25  |
| Root-Pool 3 Weight:   | 0   |
| Root-Pool 4 Weight:   | 0   |
| Root-Pool 5 Weight:   | 0   |
| Root-Pool 6 Weight:   | 0   |

**Table 59: Default Policy Parameters (Continued)**

|                       |   |
|-----------------------|---|
| <b>System Reserve</b> |   |
| Root-Pool 7 Weight:   | 0 |
| Root-Pool 8 Weight:   | 0 |

The class pool parameters are listed in [Table 60](#).

**Table 60: Class Pool Parameters**

| <b>Class Pools</b> |             |             |
|--------------------|-------------|-------------|
| Class-Pool 1       | Parent:     | Root-Pool 1 |
|                    | Percentage: | 40%         |
| Class-Pool 2       | Parent:     | Root-Pool 1 |
|                    | Percentage: | 35%         |
| Class-Pool 3       | Parent:     | Root-Pool 1 |
|                    | Percentage: | 30%         |
| Class-Pool 4       | Parent:     | Root-Pool 1 |
|                    | Percentage: | 25%         |
| Class-Pool 5       | Parent:     | Root-Pool 1 |
|                    | Percentage: | 20%         |
| Class-Pool 6       | Parent:     | Root-Pool 2 |
|                    | Percentage: | 50%         |
| Class-Pool 7       | Parent:     | Root-Pool 2 |
|                    | Percentage: | 40%         |
| Class-Pool 8       | Parent:     | Root-Pool 2 |
|                    | Percentage: | 30%         |

## Port Class Pool Sizing

The port class pools are sized based on the port's active bandwidth, provisioned use of the port and the port bandwidth rate modifier percentages defined on the port. For the HSMDA, a port's active bandwidth is simply the current speed provisioned for the port. For ingress, this is the current line rate of the port. For egress, it is the lesser of the port's line rate and the port scheduler's current maximum rate. The active bandwidth of the port is considered to be zero when a SAP or subscriber has not been provisioned on the port. Once a queue group is associated with the port, the actual active bandwidth of the port is used for port class buffer pool sizing.

The active bandwidth can be modified by the **max-rate** commands on the port. The parameters are used to artificially increase or decrease the amount of buffers that may be used by the port. These commands have no effect on the actual bandwidth used by the port.

The system uses the active bandwidth of each port to decide on how much each class pool the port should receive. The port's active bandwidth is divided into the sum of all ports active bandwidth to derive the port's pool factor. This factor is multiplied by the size of each class pool and the result is applied to the port's class pool. Thus, the sum of the sizes of a given port class pool over all ports should equal the size of the actual aggregate control class pool.

## HSMDA Available Buffer Register Operation

The HSMDA considers a buffer pool empty when the buffer-available register for the pool drops below 64. As buffers are allocated to a queue, the HSMDA evaluates whether the queue's port class pool buffer-available register is less than 64. If not, the HSMDA then looks at the aggregate control pools pointed to by the port class pool's Agg-Pool-Ptr-1 (class-pool) and Agg-Pool-Ptr-2 (root-pool) to determine whether either of the pool's buffer-available registers are less than 64. If not, then the buffers required to enqueue the packet on the queue are given to the queue and the buffer-available registers are decremented based on the number of buffers given. As packets are scheduled out of the queue, the buffers are returned to the free list and the buffer-available registers are incremented by the correct amount.

The HSMDA stops allocating buffers at 63 or less remaining to allow packet size fairness on the pools. If it simply stopped at 0, large packets would be at a disadvantage as the buffer pool neared the zero mark. If the register read 20 buffers remaining and a packet arrives needing 21 buffers, the pool would deny the buffer request (it would decrement below 0). But if a smaller packet arrives needing less buffers than 20, it would be allowed. And the buffer pool would continue to allow the smaller packets until the pool was depleted. By stopping at 63 or

less, every packet has access to the remaining pool since the maximum size packet requires less than 64 buffers. While this scheme allows for fair access to the buffer pool, some buffers will not be used by the HSMDA. This is considered inconsequential due to the limited number of buffer pools. The absolute worst case in buffer inefficiency is 12,096 buffers (63 buffers \* 192 pools) out of 1 million buffers (about 1.2%).

When the pools are first initialized, each pool's buffer-available register is set to the number of buffers available on the pool. When the HSMDA buffer pool policy managing a pool is changed so that the number of buffers managed by the pool increases or decreases, the system will increment or decrement the current value of the buffer-available register based on the change in the pool size. The register supports a negative value for the case where the buffer pool size is decreased and the buffer-available register is currently less than the size of the decrease. If the buffer pool goes negative (or below 64 available buffers), no buffers are allocated by the pool until buffers associated with the pool are returned to the free list and the register increments to a value of 64 or higher.

## HSMDA Queue Congestion and Buffer Utilization Controls

Each queue supports a 10 bit index into an HSMDA slope policy table. Each policy in the table consists of two RED slopes (high priority and low priority) for the purpose of managing queue congestion. Due to the large number of queues supported on the XMA or MDA, the ability of a queue to effectively manage a weighted sliding window of queue utilization is not practical. HSMDA RED slopes operate as on the instantaneous depth of the queue.

Each slope policy within the HSMDA consists of two slope definitions, each represented by a 14 bit start slope value, a 14 bit end slope value and an 8 bit fixed point inverse slope value. The fixed point value is represented as a 4 bit whole value (values from 0 to 15) and a 4 bit fraction (from 0 to 0.9375 in 0.0625 increments).

In operation, a packet attempting to enter a queue triggers a check to see if the packet should be allowed based on queue congestion conditions. The packet contains a congestion-priority flag in the shim header telling the HSMDA whether to use the high or low slope. The slope policy containing the slope is derived from the policy index in the queue configuration parameters on the HSMDA. The XMA or MDA retrieves the current queue depth in buffers and the slope's three configuration values (start buffer, end buffer and inverse slope value). Logically, the following algorithm is used to determine whether the packet should be allowed in the queue based on discard probability:

- If the queue depth is greater than or equal to the slope's end-buffer value, the packet is discarded.
- A random number in the range of 0 to 127 is generated.

- The random number is multiplied by the inverse slope value and then added to the slope Start-Buffer to derive the random fill depth which is the number of buffers that need to be full in order for the slope discard threshold to cross the random number.
- If the slope fill depth is equal to or greater than the random fill depth, the packet is discarded.
- The packet still may be discarded if a buffer pool associated with the queue has decremented to the discard point or if the free buffer list is exhausted.

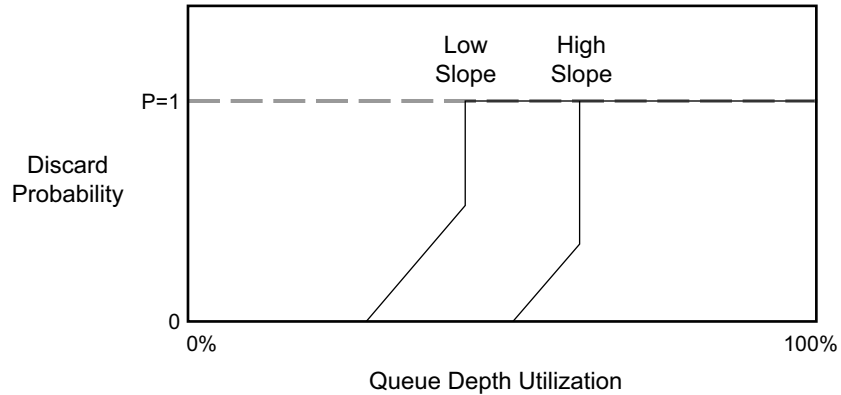
### Maximum HSMDA Queue Depth

Since RED slope discards are done based on the current queue depth before allowing a packet into the queue, a queue may consume buffers beyond the configured MBS value based on the size of the packet. The maximum number of buffers is based on the high slopes end-buffer parameter plus the maximum packet size less one buffer. Once the slopes end-buffer is reached or exceeded, all other packets reaching the queue and associated with the slope will be discarded. When scheduling removes packets from the queue, the queue depth will decrease, eventually lowering the depth below the end-buffer threshold.

### Control Plane HSMDA RED Slope Policy Management

RED slope configuration is managed by defining up to 1,024 named HSMDA slope policies on the chassis and mapping the queue to a specific policy name. Each slope policy contains configuration information for the high-priority slope and the Low-Priority slope. HSMDA Slope policies differ from standard slope policies in that they do not support the time-average-factor feature used to manage the weighting utilization of the buffer space the standard slopes are managing. HSMDA queue slopes operate based on instantaneous queue utilization and do not maintain a weighted utilization value. [Figure 50](#) demonstrates the high and low priority RED slopes used to derive the discard probability based on the current depth of the queue.

**Figure 50: High and Low RED Slopes**



OSSG158

## HSMDA Slope Policy MBS Parameter

Unlike standard queues, HSMDA queues do not have a configured maximum buffer size (MBS) parameter. Instead the high and low RED slopes are used for all queue congestion control functions by the queue. The system uses an MBS value to define how much buffering an HSMDA queue may use, but it is contained in the HSMDA slope policy. The slope policy uses the configured MBS value to provide context for the slope parameters which are defined as percentages of MBS.

## HSMDA Slope Policy Slope Parameters

Each slope in the slope policy is defined by three points; the starting-depth, slope maximum-depth and the slope maximum-discard-probability. Only three points are required since the starting-depth value implies a starting-discard-probability of zero percent. The starting-depth defines at which queue depth the slope starts to rise from zero. The maximum-depth point defines the queue depth where the slope ends and goes straight to 100%. The maximum-discard-probability defines the how high the slope rises from zero before going straight to 100% at the maximum-depth point.

If the starting-depth and maximum-depth percentages are equal, the system performs a simple drop tail; the discard probability slope is essentially non-existent in this case.

The system takes the configured slope parameters and uses them to calculate the HSMDA internal slope definitions:



- The MBS value is multiplied by the starting-depth percentage to derive the number of bytes at which the slope will start. This value is then converted to buffers by dividing the resulting byte value by the buffer size (168 bytes) and rounding to the nearest integer value. This is the HSMDA slope start-buffer parameter (14 bit value).
- The same process is performed for the maximum-depth percentage to derive the HSMDA slope end-buffer parameter (14 bit value).
- The system calculates the Inverse-slope value using the following formula:  
 →  $\text{Inverse-slope} = (\text{end-buffer} - \text{start-buffer}) / \text{maximum-discard-probability} * 1.27$ .
- The Inverse-Slope value is converted to an 8 bit fixed point notation where:  
 → Bits 7 through 4 represent the value above zero and bits 3 through 0 represent the fraction below zero.
- If the inverse slope is less than 0.0625, the system uses a value of 0.0625 (0000.0001) as the 8 bit value.
- If the inverse slope is greater than 15.9375, the system uses 15.9375 (1111.1111) as the 8 bit value.
- [Table 61](#) can be used to derive the 8-bit value for inverse slopes within the range 0.0625 and 15.9375.

**Table 61: HSMDA Inverse Slope Fixed Point Binary Values**

| <b>Inverse Slope Fixed Point Binary Format<br/>(23 22 21 20. 2-1 2-2 2-3 2-4)</b> |                      |
|-----------------------------------------------------------------------------------|----------------------|
| <b>Whole Number</b>                                                               | <b>Decimal Value</b> |
| <b>Corresponding Binary Value<br/>(23 22 21 20)</b>                               |                      |
| 0                                                                                 | 0000                 |
| 1                                                                                 | 0001                 |
| 2                                                                                 | 0010                 |
| 3                                                                                 | 0011                 |
| 4                                                                                 | 0100                 |
| 5                                                                                 | 0101                 |
| 6                                                                                 | 0110                 |
| 7                                                                                 | 0111                 |
| 8                                                                                 | 1000                 |
| 9                                                                                 | 1001                 |

**Table 61: HSMDA Inverse Slope Fixed Point Binary Values (Continued)**

| Inverse Slope Fixed Point Binary Format<br>(23 22 21 20. 2-1 2-2 2-3 2-4) |                                             |
|---------------------------------------------------------------------------|---------------------------------------------|
| Whole Number Decimal Value                                                | Corresponding Binary Value<br>(23 22 21 20) |
| 10                                                                        | 1010                                        |
| 11                                                                        | 1011                                        |
| 12                                                                        | 1100                                        |
| 13                                                                        | 1101                                        |
| 14                                                                        | 1110                                        |
| 15                                                                        | 1111                                        |
| 0.0000                                                                    | 0000                                        |
| 0.0625                                                                    | 0001                                        |
| 0.1250                                                                    | 0010                                        |
| 0.1875                                                                    | 0011                                        |
| 0.2500                                                                    | 0100                                        |
| 0.3125                                                                    | 0101                                        |
| 0.3750                                                                    | 0110                                        |
| 0.4375                                                                    | 0111                                        |
| 0.5000                                                                    | 1000                                        |
| 0.5625                                                                    | 1001                                        |
| 0.6250                                                                    | 1010                                        |
| 0.6875                                                                    | 1011                                        |
| 0.7500                                                                    | 1100                                        |
| 0.8125                                                                    | 1101                                        |
| 0.8750                                                                    | 1110                                        |
| 0.9375                                                                    | 1111                                        |

For instance, if the MBS value is defined as 16,800 bytes and the low slope was configured with a starting depth set to 75 percent, a maximum depth set to 100 percent and a maximum discard probability set to 80 percent:

- The system takes 75 percent of 16,800 bytes and derives a starting slope at a queue depth of 12,600 bytes
- The system takes 100 percent of 16,800 bytes and derives an ending slope of 16,800 bytes.
- The system converts the starting, ending and slope duration values to number of buffers and then calculates the slope duration (end — start).
  - $12,600 / 168 = 75$  start-buffer
  - $16,800 / 168 = 100$  end-buffer
- The actual step of the slope may be calculated by dividing the maximum discard probability value with the slope run:
  - $80 / (100 - 75) =$  slope step is 3.2 (for every buffer beyond the start of slope, the probability rises 3.2 percent, after 25 buffers the slope reaches 80%).
- But the HSMDA uses the inverse slope within its algorithm and a drop probability random number between 0 and 128. The system calculates the inverse slope by dividing the slope run by the maximum discard probability multiplied by 1.27 (conversion from 0 to 100 to 0 to 127):
  - $(100 - 75) / 80 * 1.27 = 0.396875$  inverse-slope
- The system takes the inverse slope step and converts it to an internal HSMDA fixed point binary notation with the most significant 4 bits representing the whole portion of the inverse slope (above 0) and least significant 4 bits representing the fractional portion of the slope (below 0).
  - The inverse slope is less than 0 so the most significant 4 bits is 0000.
  - The fractional portion of the inverse slope is 0.396875 and the closest result in four bits based on [Table 61](#) is a least significant bit value of 0110 (0.375 decimal).
  - The system concatenates the two results into an 8 bit number resulting in 0000110 as the inverse slope binary value.

The system uses the starting buffer value, the ending buffer value and the inverse slope eight bit value to populate a slope definition into the HSMDA. Two slopes are populated per slope policy. Each slope policy is given an HSMDA slope index between 0 and 1023. Since every packet received on an HSMDA queue is associated with either the high or low slope, the provisioned MBS value is not required and is not a managed parameter for HSMDA queues.

## HSMDA Slope Shutdown Behavior

HSMDA slope policies allow the high or low RED slope to be shutdown. This effectively configures the HSDMA internal slope to have a Start-buffer and end-buffer equal to the buffer value closest to the configured policy MBS value. Packets matching the slope will still be discarded based on the slope, but it will appear that the MBS value is being enforced within the queue. The maximum-discard-probability is set to 100% when the slope is shutdown. The inverse-slope value sent to the XMA or MDA is set to all zeros 00000000 but has no effect since the starting and ending buffers are the same.

## Ingress Packet Mapping to HSMDA RED Slope

At ingress, the following is used to determine packet mapping to a RED slope:

High slope

- Explicit profile classified as in-profile
- Undefined profile, but classified as high priority

Low slope

- Explicit profile classified as out-of-profile
- Undefined profile, but classified as low priority

## Egress Packet Mapping to HSMDA RED Slope

At egress, the following is used to determine packet mapping to a RED slope:

High slope

- Egress reclassified high priority
- Non-reclassified in-profile

Low slope

- Egress reclassified low priority
- Non-reclassified out-of-profile

A default HSMDA slope policy for HSMDA queues with default parameters for the low and high slopes will be used to mimic the non-HSMDA queue drop tail behavior:

|            |                                                                         |
|------------|-------------------------------------------------------------------------|
| MBS        | 16,800 bytes (100 buffers)                                              |
| High Slope | Start-depth 100%<br>Max-depth 100%<br>Max-probability 100%<br>Shutdown  |
| Low Slope  | Start-depth 90%<br>Max-depth 90%<br>Max-probability 100%<br>No shutdown |

## HSMDA Queue Congestion or Pool Congestion Discard Stats

When a packet is discarded, the high priority or low priority packet and octet discard counter is incremented. Which counter is incremented is based on the counter ID and the value of the congestion-priority flag within the packets HSMDA header. The classification rules within the SAP ingress QoS policy use the following logic to determine the discard counter associated with a packet:

|                                                 |               |
|-------------------------------------------------|---------------|
| Explicit in-profile (color aware profiling)     | high priority |
| Explicit out-of-profile (color aware profiling) | low priority  |
| Non-profiled, high priority                     | high priority |
| Non-profiled, low priority                      | low priority  |

The SAP egress QoS policy uses the following logic to determine the discard counter associated with a packet:

|                           |               |
|---------------------------|---------------|
| In-profile at ingress     | high priority |
| Out-of-profile at ingress | low priority  |

The discard counters and the RED slope determination are both driven by the same classification results. When a packet is defined as explicitly in-profile or out-of-profile, the high or low priority of a packet is ignored at ingress.

## Egress Queue CIR Based Dot1P Remarking

The HSMDA adds the capability to perform remarking of one dot1p value within a dot1q or qinq- tagged packet based on the dynamic CIR state of the egress queue at the time the packet is scheduled out the egress port. This allows downstream aggregation Layer 2 aggregation devices to manage congestion based on the dot1p field (including the DEI bit). This feature is not supported on IOM-1.

## SAP Ingress and SAP Egress QoS Policies

The queue definition and scheduling behavior for HSMDA queues require different provisioning behavior from the standard QChip based service level queuing.

### SAP Ingress QoS Policy

The SAP Ingress QoS policy performs three distinct functions:

- Service queue definitions
- FC and sub-class queue mappings and ingress attributes
- Definition of hierarchical packet classification rules

For standard queuing, the application of the SAP ingress QoS policy to a SAP results in a set of hardware queues being dynamically assigned to the SAP representing the service queues defined in the policy.

The remaining sections of the policy affect resources within the hardware forwarding plane. Each ingress policy within the ingress forwarding plane consists of a set of classification rules consisting of dot1p, IP Precedence and IP DSCP tables used to match packets that ingress the SAP. Each table entry maps the packet to a forwarding class (each sub-class is contained with a forwarding class, so sub-classes indirectly map to a forwarding class). The section of the policy that represents the forwarding class to queue mappings is also represented by a table which allows the forwarding plane to take the forwarding class and determine which service queue (and the resulting hardware queue) that will handle the packet.

The SAP ingress policy has been expanded so a single ingress policy contains queue definitions for both standard service queues and for HSMDA service queues. This provides a policy assignment model that does not need to know the difference between a SAP using standard service queues and another SAP using HSMDA service queues.

The standard ingress service queues are separated into two types, point-to-point and multipoint. point-to-point queues are used either for VLL services such as Epipe or for unicast traffic within a VPLS, VPRN or IES service. Multipoint queues are used by VPLS, VPRN and IES services for packets that must be replicated by the switch fabric. Within the IES and VPRN services, only IP multicast routed packets are forwarded through the multipoint queues. Within VPLS services, broadcast (MAC DA = ff:ff:ff:ff:ff:ff), multicast (non-broadcast destination with multicast bit set) and packets with an unknown destination MAC address are forwarded through the multipoint queues. The standard service queues within the SAP Ingress QoS policy are numbered 1 through 32 of which 8 may be point-to-point queues and 24 multipoint queues. Since the HSMDA queues are not required to handle multipoint forwarding into the switch fabric, a distinction between point-to-point and multipoint is not present for HSMDA queues. Also, HSMDA queues are not created or dynamically assigned to a SAP or subscriber context. Instead eight queues (numbered 1 through 8) always exist for each queue group on the XMA or MDA. Since the queue group is assigned to the ingress SAP, all eight queues within the group automatically are available for the SAP. This means that although a SAP ingress QoS policy does not reference a particular queue ID, that queue is available for forwarding class mappings.

Another difference between standard service queues and HSMDA service queues is that they cannot be associated with a port or service level virtual scheduler and so the port-parent and parent commands are not available. Instead, each queue is implicitly mapped directly to the HSMDA port or ingress scheduler based on the queue ID. Queue 1 is mapped to scheduling class 1 and queue 8 is mapped to scheduling class 8. Scheduling class eight has the highest priority and one has the lowest unless a scheduling class is grouped with another scheduling class in which case the group itself inherits the scheduling priority of the highest class within the group (the classes within the group are handled based on the weight assigned to each class).

The last major difference between standard service queues and HSMDA service queues are the support for RED slopes within the HSMDA queues. The HSMDA uses the Slope policy the queue is associated with to configure the contour of the high and low slope within the queue.

The SAP ingress QoS policy classification rule actions are also modified to allow for a counter override capability. The counter override function allows for one of the eight extra sets of counters per queue group to be used instead of the per queue counters. This is intended for diagnostic or exception based accounting purposes.

## **SAP Egress QoS Policy**

The SAP egress QoS policy requires the same type of modifications as the SAP ingress policy. The policy supports queue definitions for both standard service queues and HSMDA service queues and the forwarding class mappings to the individual queue IDs.

## Subscriber Queuing Differences

Another modification is the ability to define egress HSMDA counter override criteria which relies on an egress TCAM lookup based on IP flow criteria match entries. Egress IP flow based HSMDA counter overrides are ignored when applied to a SAP not on an HSMDA. Egress counter overrides are ignored when a SAP is a member of an efficient multicast group.

## Subscriber Queuing Differences

Standard service queues are instantiated on a SAP or subscriber sla-profile basis. Each SAP or subscriber sla-profile instance within a SAP has its own set of queues which are managed into an aggregate SLA by a software based virtual scheduler. Due to its internal architecture, subscriber queues on the HSMDA are handled differently. The subscriber aggregate rate limit is represented by the queue group shaper. Since the queue group shaper only manages the eight queues within the group, all subscriber hosts within a subscriber context must share the same eight queues. Each subscriber SLA-profile (the object that allows different groups hosts for a single subscriber) must classify packets to the subscriber level queues and not to queues specific to the SLA-profile instance. While each SLA-profile instance does not maintain its own set of queues on the HSMDA, the packet classification rules are still maintained per sla-profile instance and not restricted to the subscriber level.

To allow provisioning of the sla-profile QoS classification rules and also provide the ability to specify the queuing behavior at the subscriber profile level, the SAP ingress and SAP egress QoS policies are reused in each case. At the sla-profile level, the SAP QoS policies packet forwarding class classification rules and forwarding class to queue ID mappings are in-effect (the queue definitions are ignored on the sla-profile instances for HSMDA subscribers). At the subscriber profile level, the queue-id definitions are in-effect while the packet classification rules and mappings are ignored.

## HSMDA Features

### HSMDA LAG

The addition of the HSMDA affects Ethernet Link Aggregation Groups (LAGs). Due to the different behavior between a SAP created on a standard Ethernet MDA and a SAP created on an HSMDA, it is important to know the expected behavior at the time the SAP is created. A SAP can be created on a LAG that has no port members which is clear, that at the time of creation, the type of SAP may be unknown.



To negate the issue between SAP type and LAG port membership, the **config>lag>port-type {standard | hsmdda-ports}** command has must be executed prior to adding any ports to the LAG. This command allows the type ports that will be added to the LAG to be predefined. Without executing this command, HSMDA ports cannot be added to the LAG and after execution, the LAG may only be populated with HSMDA ports.

The LAG port type restriction can only be changed prior to adding SAPs or binding network IP interfaces to the LAG. If the port type for the LAG must be changed, all ports, SAPs and IP interfaces must be removed from the LAG.

A LAG with HSMDA member ports cannot be configured as mode network.

A LAG with HSMDA member ports can only operate in link-level SLA distribution. Since hierarchical QoS is only supported for queues within a single queue group and a queue group is limited to a single egress port, it cannot spread a SAP's ingress or egress queue CIR and PIR parameters over multiple LAG links. Each SAP created on an HSMDA LAG is assigned a queue group for each link within the LAG. The CIR and PIR defined in the SAP ingress or SAP egress QoS policy is replicated for the queue ID in each queue group.

## Billing

The HSMDA SAP and subscriber queue billing statistics collection process supports the same information as non-HSMDA objects with the addition of the exception counter information. Statistics from queues within a queue group that are not currently mapped to forwarding classes are removed. Since the queues always exist, the counter information for the unused queues will be presented by the underlying collection mechanisms. Because of a large amount of data that could potentially exist, longer statistics collection intervals can occur.

## Resource Management

The HSMDA presents a different set of resource management features to the system than with non-HSMDAs. Since the HSMDA does not manage a pool of queues that are individually mapped to SAPs or subscribers, it cannot run out of queues on the XMA or MDA. Instead, a pool of available queue groups are managed and allocated on a per SAP or subscriber basis.

Each SAP and subscriber created is managed against a system wide maximum. The maximum for SAPs and subscribers are each 64K within a single chassis.

### HSMDA Queue Groups

A fundamental concept on an HSMDA is the queue group. Queue groups are not directly managed by the provisioner, they are indirectly assigned when creating SAPs or subscribers on the XMA and MDA. A queue group has eight queue members. The queues within the group are numbered from 1 through 8. When creating a SAP or subscriber associated with a port on the XMA or MDA, an ingress and egress queue group is allocated to the object. Every SAP and subscriber using the XMA or MDA has 8 ingress and 8 egress queues (whether they are in use or not). In the SAP ingress and egress QoS policies, the HSMDA queues within the group are represented by queue-id 1 through 8.

Each queue within the group has two RED slopes (managed by associating a slope policy to the queue), an MBS defined in bytes, a byte offset parameter used to add or subtract bytes to each packet handled by the queue for accounting purposes, a PIR and a CIR leaky bucket.

The queue group supports an aggregate shaper used to manage an aggregate rate limit for all queues within the group. Scheduling for queues within the group is stopped and started based on the rate set on the shaper.

Each queue group also supports 16 counter sets. Eight of the counters are the default counters used by packets assigned to each queue respectively. The remaining eight are exception counters and are named Counter 1 through Counter 8.

The number of queue groups available is dependent on the HSMDA variant. The ESS variant supports up to 8K ingress and egress queue groups. The SR variant supports up to 20K ingress and egress queue groups. The ability to utilize all available queue groups is dependent on the type of IOM that is hosting the HSMDA.

### Scheduling Classes

The HSMDA supports eight scheduler classes that are directly mapped to the queue-id (1 through 8) for each SAP and subscriber queue. The scheduler class is not an internal QoS policy driven forwarding class. Forwarding classes within the system are used between the ingress and egress forwarding complexes and help the system to manage packet marking or remarking decisions and also are used to map each packet to an ingress and egress queue. It is possible to have two different QoS policies, the first that maps forwarding class AF (for example) to queue number 3 and the second may map AF to queue number 5. While the system will make certain common decisions based on the AF forwarding class, the fact that it is being mapped to different scheduler classes within the HSMDA will dictate that the scheduling of AF will be different for the two QoS policies based on the scheduler behavior.

## Scheduling Class Weighted Groups

As indicated above, an HSMDA scheduler handles groups of queues based on each queue's identifier. All queues numbered 1 are automatically placed in scheduler class 1, queues numbered 2 are placed in scheduler class 2 through queues numbered 8 being placed in scheduler class 8. Each scheduling class may be directly associated with a strict priority level or may be placed in one of two weighted groups. Each weighted group is used to map up to three scheduling classes into a single strict priority level and provides a weight for each member class of the group. Using the weighted groups allows for a mixture of strict and weighted scheduling between the scheduling classes. The scheduling classes mapped to a group must be consecutive in class order. If class 3 is placed into group 1, then the next class that may be placed into the group could be 2 or 4. If 4 were added to the group, then the next (and last) class that can be added to the group would be 5. If 2 had been added to the group instead of 4, then the next class would be limited to class 1.

## Scheduler Strict Priority Levels

The scheduler maintains 8 strict levels with strict level 8 being the highest priority and strict level 1 being the lowest. For each strict priority level, either the scheduler class with the same ID (1 through 8) may be mapped to the strict level, or one of the two weighted groups may be mapped to the strict level. If a scheduling class is not mapped to a weighted group, the class is instead mapped to its relative strict scheduling level. Once a scheduling class is mapped to a weighted group, it is removed from the strict level and shares the strict level assigned to the weighted group. The weighted group itself is mapped to the inherent strict scheduling level of the highest member scheduling class. It should be apparent that when weighted scheduling class groups are used, fewer strict levels are active on the scheduler.

## Strict Priority Level PIR

The scheduler supports a strict scheduling level PIR that limits the amount of bandwidth allowed for the level. The rate is defined in increments of megabits per second and may be set to max (the default setting) which disables the shaping function. The shaping rate is not defined on the strict priority level, but is inherited from the scheduling class or weighted group that is mapped to the strict level. The scheduler includes the full Ethernet frame encapsulation overhead when updating the priority level PIR, including the 12 byte inter-frame gap and the 8 byte preamble.

## Scheduler Maximum Rate

A maximum scheduling rate may be defined for the scheduler. The rate is specified in megabits per second and the default rate is max which allows the scheduler to operate without a set limit. When the HSMDA scheduling policy is applied to an egress port, the maximum scheduling rate may be used to define a rate less than the available line rate of the port. When the HSMDA scheduler policy is applied to the ingress path of an HSMDA, it sets the maximum ingress bandwidth for the XMA or MDA (not usually a desirable action). The scheduler includes the full Ethernet frame encapsulation overhead when updating the scheduler level PIR, including the 12 byte inter-frame gap and the 8 byte preamble.

## HSMDA Scheduler Policy Overrides

Once an HSMDA scheduler is applied to an Egress port or to an ingress HSMDA, the various parameters may be overridden. This allows an HSMDA scheduler policy to be adapted to changing needs on a port or HSMDA basis without requiring a new policy to be created.

## Orphan Queues

Unlike port or service based virtual scheduling behavior, the HSMDA schedulers do not need to deal with orphaned queues (queues without an explicit scheduler parent defined). Every queue on an HSMDA is implicitly mapped to the scheduler based on the queues identifier.

## Default HSMDA Scheduling Policy

An HSMDA scheduling policy with the name default always exists on the system and does not need to be created. The default policy cannot be modified or deleted. Attempting to delete the default policy using the `no hsmda-scheduler-policy` default command will return an error without changing the default policy.

The default policy contains the parameters listed in [Table 62](#).

**Table 62: HSMDA Scheduling Policy Default Values**

| Command     | Default        |
|-------------|----------------|
| description | no description |
| max-rate    | no max-rate    |

Table 62: HSMDA Scheduling Policy Default Values (Continued)

| Command          | Default                     |
|------------------|-----------------------------|
| group            | group 1 rate max            |
|                  | group 2 rate max            |
| scheduling-class | scheduling-class 1 rate max |
|                  | scheduling-class 2 rate max |
|                  | scheduling-class 3 rate max |
|                  | scheduling-class 4 rate max |
|                  | scheduling-class 5 rate max |
|                  | scheduling-class 6 rate max |
|                  | scheduling-class 7 rate max |
|                  | scheduling-class 8 rate max |

## Basic HSMDA Configurations

### HSMDA Pool Policies

The following displays details of the **default** HSMDA pool policy configuration.

```
A:ALA-48>config>qos>hsmda-pool-policy# info detail

no description
system-reserve 10.00
root-tier
 root-pool 1 allocation-weight 75
 root-pool 2 allocation-weight 25
 root-pool 3 allocation-weight 0
 root-pool 4 allocation-weight 0
 root-pool 5 allocation-weight 0
 root-pool 6 allocation-weight 0
 root-pool 7 allocation-weight 0
 root-pool 8 allocation-weight 0
exit
class-tier
 class-pool 1 root-parent 1 allocation-percent 40.00
 class-pool 2 root-parent 1 allocation-percent 35.00
 class-pool 3 root-parent 1 allocation-percent 30.00
 class-pool 4 root-parent 1 allocation-percent 25.00
 class-pool 5 root-parent 1 allocation-percent 20.00
```

## HSMDA Features

```
class-pool 6 root-parent 2 allocation-percent 50.00
class-pool 7 root-parent 2 allocation-percent 40.00
class-pool 8 root-parent 2 allocation-percent 30.00
exit

A:ALA-48>config>qos>hsmda-pool-policy#
```

## HSMDA Scheduler Policies

HSMDA scheduler policies can be assigned to an egress HSMDA port or as the ingress control scheduler between the HSMDA and the ingress forwarding plane. The policy contains the needed commands to provision the scheduling behavior of a set of HSMDA scheduler classes. When assigned to an HSMDA egress port, the policy is used to define the scheduling behavior for all queues associated with the egress port. When assigned to the ingress path of an ESDMA, the policy is used to define the scheduling behavior for all ingress queues on the HSMDA (regardless of ingress port).

The following displays details of the **default** HSMDA scheduler policy configuration:

```
*A:ALA-48>config>qos# info detail
#-----
echo "HSMDA Scheduler Policies Configuration"
#-----
hsmda-scheduler-policy "default" create
description "Default hsmda scheduler QoS policy"
no max-rate
group 1 rate max
group 2 rate max
scheduling-class 1 rate max
scheduling-class 2 rate max
scheduling-class 3 rate max
scheduling-class 4 rate max
scheduling-class 5 rate max
scheduling-class 6 rate max
scheduling-class 7 rate max
scheduling-class 8 rate max
exit
hsmda-scheduler-policy "HSMDA-test" create
description "HSMDA policy"
no max-rate
group 1 rate max
group 2 rate 50000
scheduling-class 1 rate max
scheduling-class 2 group 2 weight 1
scheduling-class 3 rate max
scheduling-class 4 rate max
scheduling-class 5 rate max
scheduling-class 6 rate max
scheduling-class 7 rate max
scheduling-class 8 rate max
exit
#-----
...
```

```
*A:ALA-48>config>qos#
```

## HSMDA Slope Policies

The following displays details of the **default** HSMDA slope policy configuration.

```
A:ALA-48>config>qos#

...
 hsmda-slope-policy "default" create
 description "Default hsmda slope policy."
 queue-mbs 16800
 high-slope
 start-depth 100.00
 max-depth 100.00
 max-prob 100.00
 no shutdown
 exit
 low-slope
 start-depth 90.00
 max-depth 90.00
 max-prob 100.00
 no shutdown
 exit
 exit
...

A:ALA-48>config>qos#
```

## Egress Queue Group

The following displays details of the **default** HSMDA egress queue group configuration.

```
config
 qos
 queue-group-templates
 egress
 queue-group group-name
 hsmda-queues
 low-burst-max-class class
 packet-byte-offset {add add-bytes | subtract sub-bytes}
 wrr-policy wrr-policy-name
 queue queue-id [create]
 adaptation-rule pir adaptation-rule [cir adaptation-rule]
 burst-limit size [bytes | kilobytes]
 mbs mbs
 rate pir-rate [cir cir-rate]
 slope-policy hsmda-slope-policy-name
 wrr-weight weight
 exit
```

## Configuring HSMDA Queue Group Overrides

When a queue group template is instantiated at the port, queue group queues can be overridden at the instance level using **hsmda-queue-overrides**.

The following display output displays a `hsmda-queue-group` and overrides example configuration at the port level.

```
*A:Dut-A>config>port>ethernet# /configure port 4/1/1
*A:Dut-A>config>port# info

 shutdown
 ethernet
 mode access
 egress
 exp-secondary-shaper "Exp_Shaper_1" create
 exit
 exit
 access
 egress
 queue-group "100" instance 1 create
 hsmda-queue-override
 secondary-shaper "Exp_Shaper_1"
 wrp-policy "wrpRes"
 packet-byte-offset add 3
 queue 2 create
 rate 2222
 exit
 exit
 exit
 exit
 exit

```

## Applying HSMDA Policies

HSMDA policies and values are associated in the following entities. Refer to the Interface Configuration Guide for command syntax and usage.

```
config
 — lag
 — port-type {standard | hsmda-ports}
 — no port-type
 — port
 — ethernet
 — access
 — egress
 — queue-group queue-group-name [create] [instance instance-id]
 — [no] hsmda-queue-override
```



- **packet-byte-offset** {**add** *add-bytes* | **subtract** *sub-bytes*}
- **no packet-byte-offset**
- **queue** *queue-id* [**create**]
- **no queue** *queue-id*
  - **mbs** {[0 to 2625] kilobytes | [0 to 2688000] bytes | **default**}
  - **no mbs**
  - **rate** *pir-rate*
  - **no rate**
  - **slope-policy** *hsmda-slope-policy-name*
  - **no slope-policy**
  - **wrr-weight** *weight*
  - **no wrr-weight**
- **secondary-shaper** *secondary-shaper-name*
- **no secondary-shaper**
- **wrr-policy** *wrr-policy-name*
- **hsmda-scheduler-overrides**
  - **group** *group-id* **rate** *rate*
  - **no group**
  - **max-rate** *rate*
  - **no max-rate**
  - **scheduling-class** *class* **rate** *rate*
  - **scheduling-class** *class* [**weight** *weight-in-group*]
  - **no scheduling-class** *class*

## HSMDA Features

# HSMDA Command Reference

## Command Hierarchies

```

config
 — qos
 — hsmda-pool-policy policy-name [create]
 — no hsmda-pool-policy policy-name
 — class-tier
 — class-pool class-pool-id root-parent root-pool-id allocation-percent percent-of-parent-pool
 — no class-pool class-pool-id
 — description description-string
 — no description
 — root-tier
 — root-pool root-pool-id allocation-weight pool-weight
 — no root-pool root-pool-id
 — system-reserve percentage-of-buffers
 — no system-reserve
 — hsmda-scheduler-policy scheduler-policy-name [create]
 — no hsmda-scheduler-policy scheduler-policy-name
 — description description-string
 — no description
 — group group-id rate rate
 — no group group-id
 — max-rate rate
 — no max-rate
 — scheduling-class class group group-id [weight weight-in-group]
 — scheduling-class class rate rate
 — no scheduling-class class
 — hsmda-slope-policy policy-name [create]
 — no hsmda-slope-policy policy-name
 — description description-string
 — no description
 — high-slope
 — max-depth percent-of-queue-depth
 — no max-depth
 — max-prob discard-probability-in-percent
 — no max-prob
 — [no] shutdown
 — start-depth percent-of-queue-depth
 — no start-depth
 — low-slope
 — max-depth percent-of-queue-depth
 — no max-depth
 — max-prob discard-probability-in-percent
 — no max-prob
 — [no] shutdown
 — start-depth percent-of-queue-depth

```

- **no start-depth**
- **no hsmda-wrr-policy** *scheduler-policy-name*
  - **description** *description-string*
  - **no description**
  - **include-queues** {1-2 | 1-3}
  - **no include-queues**
  - **schedule-using-class** {1 | 2 | 3}
  - **no schedule-using-class**
  - **class-agg-weight** {1 | 2 | 4 | 8}
  - **no class-agg-weight**

## Show Commands

- show
  - qos
    - **hsmda-pool-policy** [*hsmda-pool-policy-name*] [**associations**] [**detail**]
    - **hsmda-pools** **mda** *mda-id* {**ingress** | **egress**} [**detail**]
    - **hsmda-scheduler-hierarchy** **port** *port-id* [{**shapers** | **shaper** *shaper-name*}]
    - **hsmda-scheduler-hierarchy** **mda** *mda-id*
    - **hsmda-scheduler-hierarchy** **sap** *sap-id* **ingress** | **egress**
    - **hsmda-scheduler-hierarchy** **subscriber** *sub-id* [**ingress** | **egress**]
    - **hsmda-scheduler-policy** [*hsmda-scheduler-policy-name*] [**associations**] [**detail**]
    - **hsmda-slope-policy** [*hsmda-slope-policy-name*] [**associations**] [**detail**]

## Command Descriptions

### Configuration Commands

#### Generic Commands

#### description

|                    |                                                                                                                                                                                                  |
|--------------------|--------------------------------------------------------------------------------------------------------------------------------------------------------------------------------------------------|
| <b>Syntax</b>      | <b>description</b> <i>description-string</i><br><b>no description</b>                                                                                                                            |
| <b>Context</b>     | config>qos>hsmda-scheduler-policy<br>config>qos>hsmda-wrr-policy                                                                                                                                 |
| <b>Description</b> | This command creates a text description stored in the configuration file for a configuration context.<br><br>The <b>no</b> form of this command removes any description string from the context. |

|                   |                                                                                                                                                                                                                                                                                                  |
|-------------------|--------------------------------------------------------------------------------------------------------------------------------------------------------------------------------------------------------------------------------------------------------------------------------------------------|
| <b>Default</b>    | No description is associated with the configuration context.                                                                                                                                                                                                                                     |
| <b>Parameters</b> | <i>description-string</i> — A text string describing the entity. Allowed values are any string up to 80 characters long composed of printable, 7-bit ASCII characters. If the string contains special characters (#, \$, spaces, etc.), the entire string must be enclosed within double quotes. |

## shutdown

|                    |                                                                                                                                                                                                                                                                                                                                                                                                                                                                                                                                                                                                                                                                                                                                                                                         |
|--------------------|-----------------------------------------------------------------------------------------------------------------------------------------------------------------------------------------------------------------------------------------------------------------------------------------------------------------------------------------------------------------------------------------------------------------------------------------------------------------------------------------------------------------------------------------------------------------------------------------------------------------------------------------------------------------------------------------------------------------------------------------------------------------------------------------|
| <b>Syntax</b>      | <b>[no] shutdown</b>                                                                                                                                                                                                                                                                                                                                                                                                                                                                                                                                                                                                                                                                                                                                                                    |
| <b>Context</b>     | config>qos>hsmda-slope-policy                                                                                                                                                                                                                                                                                                                                                                                                                                                                                                                                                                                                                                                                                                                                                           |
| <b>Description</b> | <p>This command administratively disables an entity. When disabled, an entity does not change, reset, or remove any configuration settings or statistics.</p> <p>The operational state of the entity is disabled as well as the operational state of any entities contained within. Many objects must be shut down before they may be deleted.</p> <p>Services are created in the administratively down (<b>shutdown</b>) state. When a <b>no shutdown</b> command is entered, the service becomes administratively up and then tries to enter the operationally up state. Default administrative states for services and service entities is described below in Special Cases.</p> <p>The <b>no</b> form of this command places the entity into an administratively enabled state.</p> |

## HSMDA Pool QoS Policy Commands

### hsmda-pool-policy

|                    |                                                                                                                                                                                                                                                                                                                                                                                                                                                                                                          |
|--------------------|----------------------------------------------------------------------------------------------------------------------------------------------------------------------------------------------------------------------------------------------------------------------------------------------------------------------------------------------------------------------------------------------------------------------------------------------------------------------------------------------------------|
| <b>Syntax</b>      | <b>hsmda-pool-policy <i>policy-name</i> [create]</b><br><b>no hsmdda-pool-policy <i>policy-name</i></b>                                                                                                                                                                                                                                                                                                                                                                                                  |
| <b>Context</b>     | config>qos                                                                                                                                                                                                                                                                                                                                                                                                                                                                                               |
| <b>Description</b> | <p>This command enables the context to configure a HSMDA pool policy parameters. Each policy must be uniquely named within the system. Names of up to 32 ASCII characters are supported with the normal character restrictions. A policy must be defined prior to applying the policy name to an HSMDA entity.</p> <p>The <b>no</b> form of the command removes the specified HSMDA pool policy from the configuration. If the HSMDA pool policy is associated with an HSMDA, the command will fail.</p> |
| <b>Parameters</b>  | <p><i>policy-name</i> — Specifies the name of the pool policy up to 32 characters in length.</p> <p><b>create</b> — The <b>create</b> keyword is required when the <b>create</b> command is enabled in the <b>environment</b> context to create a new HSMDA scheduler policy. This keyword is not required when the protection is disabled. The keyword is ignored when the HSMDA scheduler policy already exists.</p>                                                                                   |

### class-tier

|                    |                                                                                                                                                                                                              |
|--------------------|--------------------------------------------------------------------------------------------------------------------------------------------------------------------------------------------------------------|
| <b>Syntax</b>      | <b>class-tier</b>                                                                                                                                                                                            |
| <b>Context</b>     | config>qos>hsmda-pool-policy                                                                                                                                                                                 |
| <b>Description</b> | This class enables the context to configure class pool tier parameters. Within the class-tier context, class pools may be associated with a root pool and are sized as a percentage of the root pool's size. |

### class-pool

|                    |                                                                                                                                                                                                                              |
|--------------------|------------------------------------------------------------------------------------------------------------------------------------------------------------------------------------------------------------------------------|
| <b>Syntax</b>      | <b>class-pool</b> <i>class-pool-id</i> <b>root-parent</b> <i>root-pool-id</i> <b>allocation-percent</b> <i>percent-of-parent-pool</i><br><b>no class-pool</b> <i>class-pool-id</i>                                           |
| <b>Context</b>     | config>qos>hsmda-pool-policy                                                                                                                                                                                                 |
| <b>Description</b> | This command specifies a class pool's root pool parent and define the buffer allocation percentage used for sizing the class pool relative to the parent pool's size. Eight class pools exist and do not need to be created. |

Class pools function as a scheduling class aggregate buffer control mechanism and define the total number of buffers a given scheduling class may consume for all ports. Each class pool must be placed in a root pool hierarchy. This is accomplished by the root-parent keyword and root-pool-id parameter. A class pool cannot be parented by a root pool that currently has an allocation-weight parameter set to 0. Once a class pool is parented by a root pool, that root pool will not allow the allocation-weight to be set to 0.

The allocation-percent keyword and associated percent-of-parent-pool parameter indirectly specifies the size of the class pool. The percent value is multiplied by the size of the root pool to derive the class pool size. If the percent value is changed, or the size of the root pool changes, the class pool and port class pools associated with the class pool must be resized. The sum percent values for the class pools associated with a root pool may exceed 100%, allowing the class pools to oversubscribe the root pool. In this case, it is possible for the class pool to indicate that buffers remain when the root pool has exhausted its available buffers.

When queues associated with the class pool's scheduling class request buffers due to packet arrival, the port class pool, class pool and root pool must all have sufficient buffers available to place the packet into the queue. If sufficient buffers are not available, the packet will be discarded by the queue.

The **no** form of the command restores the default root-parent and allocation-percent value for a class pool. Based on the class pool, the restored default values may differ.

|                   |                                                                                                                                          |
|-------------------|------------------------------------------------------------------------------------------------------------------------------------------|
| <b>Parameters</b> | <i>class-pool-id</i> — Specifies which class pool is being modified. This parameter is a required when executing the class-pool command. |
|-------------------|------------------------------------------------------------------------------------------------------------------------------------------|

**Values** 1 — 8

**root-parent** *root-pool-id* — Specifies the parent root pool to which the class pool will be associated. All class pool parent associations are output when save config or show config is executed regardless of whether the default value is currently set. The root-parent keyword is required and must precede the root-pool-id parameter.

**Values** 1 — 8

**Table 63: Root Pool ID Class Pool**

| Unit                 | Integer |
|----------------------|---------|
| Default class-pool 1 | 1       |
| Default class-pool 2 | 1       |
| Default class-pool 3 | 1       |
| Default class-pool 4 | 1       |
| Default class-pool 5 | 1       |
| Default class-pool 6 | 2       |
| Default class-pool 7 | 2       |
| Default class-pool 8 | 2       |

**allocation-percent** *percent-of-parent-pool* — Defines the percentage of the root pool’s size to define the size of the class pool. The value is specified as a percentage with two decimal places (100th of a percent). All class pool percentage values are output when save config or show config is executed regardless of whether the default value is currently set. The allocation-percent keyword is required and must precede the percent-of-parent-pool parameter.

## root-tier

- Syntax** **root-tier**
- Context** config>qos>hsmda-pool-policy
- Description** This command enables the root pool tier context of an HSMDA pool policy. Within the root-tier context, root pools may be sized by defining each root pool’s weight.

## root-pool

- Syntax** **root-pool** *root-pool-id* **allocation-weight** *pool-weight*  
**no root-pool** *root-pool-id*
- Context** config>qos>hsmda-pool-policy

## HSMDA Command Reference

**Description** This command defines the buffer allocation weight for a specific root pool. Eight root pools exist and do not need to be created. The allocation-weight parameter is used to specify the weight that will be applied to the pool and is divided by the sum of all root pool weights to derive the pool's buffer allocation factor. The amount of buffers remaining after the system-reserve percentage is applied is multiplied by the buffer allocation factor to derive the pool size.

Root pools function as an oversubscription control mechanism. A root pool acts as the root of a hierarchy of buffer pools and queues with respect to buffer allocation. Since the sum of the root pool sizes will not exceed the total number of buffers available, the number of buffers indicated by the root pools size will always be available to the queues within the root pools hierarchy, queues from one hierarchy can never steal buffers from another.

A root pool hierarchy is based on the dynamic parenting of a root pool to one or more class pools. A class pool represents the buffering allowed for a given scheduling class. Each class pool is sized as a percentage of the root pool to which it is parented. The sum of the class pools percentages for a root pool may be greater than 100 percent which allows the root pool to be oversubscribed. This may be beneficial when large fluctuations in class based buffer utilization are expected and a given class should be allowed to exceed its fair share of buffering.

Port queues are tied to root pools through the scheduling class of the queue (indicated by the queue-ID). A queue on scheduling class 3 will be mapped to class pool 3 and indirectly tied to the root pool associated with class pool 3.

A root pool with an allocation-weight set to 0 is considered inactive and will not be allocated buffers. Class pools cannot be parented to a root pool with a weight equal set to 0. Once a class pool is associated with a root pool, the root pool's weight cannot be set to 0.

When a root pool's allocation weight is modified, all root pools, class pools and port class pool sizes are reevaluated and modified when necessary.

The no form of the command restores the default allocation-weight value to a root pool. Root pool 1 has a different default weight than root pools 2 through 8. The no root-pool command will fail for root pools 2 through 8 if the root pool is currently parented to a class pool.

**Parameters** *root-pool-id* — Specifies the root pool ID value. This value is a required parameter when executing the root-pool command and specifies which root pool is being modified.

**Values** 1 — 8

**Default** none

**allocation-weight** *pool-weight* — The pool-weight parameter defines the weight of the specified root-pool-id and is used by the system to calculate the size of the root buffer pool. The allocation-weight keyword is required and must precede the pool-weight parameter. Setting pool-weight to 0 disables the pool and prevents the root pool from being a parent to any class pools. Root pool 1 cannot be set with an allocation weight of 0.

**Table 64: Pool Weight Values**

| Unit:             | Integer |
|-------------------|---------|
| Range root-pool 1 | 1 — 100 |



Table 64: Pool Weight Values (Continued)

| Unit:               | Integer |
|---------------------|---------|
| Range root-pool 2   | 0 — 100 |
| Range root-pool 3   | 0 — 100 |
| Range root-pool 4   | 0 — 100 |
| Range root-pool 5   | 0 — 100 |
| Range root-pool 6   | 0 — 100 |
| Range root-pool 7   | 0 — 100 |
| Range root-pool 8   | 0 — 100 |
| Default root-pool 1 | 75      |
| Default root-pool 2 | 25      |
| Default root-pool 3 | 0       |
| Default root-pool 4 | 0       |
| Default root-pool 5 | 0       |
| Default root-pool 6 | 0       |
| Default root-pool 7 | 0       |
| Default root-pool 8 | 0       |

## system-reserve

**Syntax** **system-reserve** *percentage-of-buffers*  
**no system-reserve**

**Context** config>qos>hsmda-pool-policy

**Description** This command defines the amount of HSMDA buffers that will be set aside for internal system use. By default, 10% of the total buffer space is reserved for system internal queues. The command is provided for the case where the reserved buffer space is either insufficient or excessive. Use care when modifying this value. When the system reserve value is changed, all the provisioned port class, class and root pool sizes will be re-evaluated and possibly changed.

The no form of the command restores the default system reserve value.

**Parameters** *percentage-of-buffers* — Specifies the system reserve value.

**Values** 1.00 to 30.00

**Default** 10.00

## HSMDA Scheduler QoS Policy Commands

### hsmda-scheduler-policy

|                    |                                                                                                                                                                                                                                                                                                                                                                                                                                                                                                                                                                                                                                                                                                                                                                                                                                                                                              |
|--------------------|----------------------------------------------------------------------------------------------------------------------------------------------------------------------------------------------------------------------------------------------------------------------------------------------------------------------------------------------------------------------------------------------------------------------------------------------------------------------------------------------------------------------------------------------------------------------------------------------------------------------------------------------------------------------------------------------------------------------------------------------------------------------------------------------------------------------------------------------------------------------------------------------|
| <b>Syntax</b>      | <b>hsmda-scheduler-policy</b> <i>scheduler-policy-name</i> [ <b>create</b> ]<br><b>no hsmda-scheduler-policy</b> <i>scheduler-policy-name</i>                                                                                                                                                                                                                                                                                                                                                                                                                                                                                                                                                                                                                                                                                                                                                |
| <b>Context</b>     | config>qos                                                                                                                                                                                                                                                                                                                                                                                                                                                                                                                                                                                                                                                                                                                                                                                                                                                                                   |
| <b>Description</b> | <p>This command configures HSMDA scheduler policy parameters. HSMDA scheduler policies can be assigned to an egress HSMDA port or as the ingress control scheduler between the HSMDA and the ingress forwarding plane. The policy contains commands to provision the scheduling behavior of a set of HSMDA scheduler classes. When assigned to an HSMDA egress port, the policy defines the scheduling behavior for all queues associated with the egress port. When assigned to the ingress path of an ESDMA, the policy defines the scheduling behavior for all ingress queues on the HSMDA (regardless of ingress port).</p> <p>Up to 1000 HSMDA scheduler policies can be configured per system</p> <p>The <b>no</b> form of the command removes an HSMDA scheduler policy from the system. If the policy is associated with an egress port or ingress HSMDA, the command will fail.</p> |
| <b>Default</b>     | none                                                                                                                                                                                                                                                                                                                                                                                                                                                                                                                                                                                                                                                                                                                                                                                                                                                                                         |
| <b>Parameters</b>  | <p><i>scheduler-policy-name</i> — Each HSMDA scheduler policy must be uniquely named within the system. Names of up to 32 ASCII characters are supported with the normal character restrictions. An HSMDA scheduler policy must be defined prior to applying the policy name to an HSMDA egress port or to an ingress HSMDA.</p> <p><b>create</b> — The <b>create</b> keyword is required when the <b>create</b> command is enabled in the <b>environment</b> context to create a new HSMDA scheduler policy. This keyword is not required when the protection is disabled. The keyword is ignored when the HSMDA scheduler policy already exists.</p>                                                                                                                                                                                                                                       |

### group

|                    |                                                                                                                                                                                                                                                                                                                                                                                                                                                                                                                                                                                                                                                                                                                        |
|--------------------|------------------------------------------------------------------------------------------------------------------------------------------------------------------------------------------------------------------------------------------------------------------------------------------------------------------------------------------------------------------------------------------------------------------------------------------------------------------------------------------------------------------------------------------------------------------------------------------------------------------------------------------------------------------------------------------------------------------------|
| <b>Syntax</b>      | <b>group</b> <i>group-id</i> <b>rate</b> <i>rate</i><br><b>no group</b> <i>group-id</i>                                                                                                                                                                                                                                                                                                                                                                                                                                                                                                                                                                                                                                |
| <b>Context</b>     | config>qos>hsmda-scheduler-policy                                                                                                                                                                                                                                                                                                                                                                                                                                                                                                                                                                                                                                                                                      |
| <b>Description</b> | <p>This command defines the maximum rate allowed for the scheduling classes mapped to the specified <i>group-id</i>. A group is a scheduling entity used to combine up to three consecutive scheduling classes into a single strict priority level. Each scheduling class within the group has an associated weight. When the scheduler is operating at the strict level associated with the group, the ratio of bandwidth allocated to each scheduling class within the group during congestion at that strict level is relative to the ratio of the weight of each member. The bandwidth is allocated in a work conserving fashion and is sensitive to packet size up to the maximum rate defined for the group.</p> |

The **no** form of the command reverts the specified weighted scheduling class group rate limit to the default setting.

|                   |                                                                                                                                                                                                    |
|-------------------|----------------------------------------------------------------------------------------------------------------------------------------------------------------------------------------------------|
| <b>Parameters</b> | <i>group-id</i> — Defines the maximum rate allowed for the scheduling classes mapped to the specified group-id.                                                                                    |
|                   | <b>Values</b> 1, 2                                                                                                                                                                                 |
|                   | <b>rate</b> <i>rate</i> — Specifies the maximum rate in megabits-per-second. If the <b>max</b> keyword is used with the <b>rate</b> parameter, the bandwidth limitation is removed from the group. |
|                   | <b>Values</b> 1 to 40000000, max                                                                                                                                                                   |
|                   | <b>Default</b> max                                                                                                                                                                                 |

## max-rate

|                    |                                                                                                                                                                                                                                                                                                                                                                                                                                                                                                                                                                                                                                                                                                                                                                                                                                                                                                                                                                                                                                                                                                                                                                                                                                                                                                                                                                                                                                           |
|--------------------|-------------------------------------------------------------------------------------------------------------------------------------------------------------------------------------------------------------------------------------------------------------------------------------------------------------------------------------------------------------------------------------------------------------------------------------------------------------------------------------------------------------------------------------------------------------------------------------------------------------------------------------------------------------------------------------------------------------------------------------------------------------------------------------------------------------------------------------------------------------------------------------------------------------------------------------------------------------------------------------------------------------------------------------------------------------------------------------------------------------------------------------------------------------------------------------------------------------------------------------------------------------------------------------------------------------------------------------------------------------------------------------------------------------------------------------------|
| <b>Syntax</b>      | <b>max-rate</b> <i>rate</i><br><b>no max-rate</b>                                                                                                                                                                                                                                                                                                                                                                                                                                                                                                                                                                                                                                                                                                                                                                                                                                                                                                                                                                                                                                                                                                                                                                                                                                                                                                                                                                                         |
| <b>Context</b>     | config>qos>hsmda-scheduler-policy                                                                                                                                                                                                                                                                                                                                                                                                                                                                                                                                                                                                                                                                                                                                                                                                                                                                                                                                                                                                                                                                                                                                                                                                                                                                                                                                                                                                         |
| <b>Description</b> | <p>This command defines an explicit maximum frame-based bandwidth limit for the HSMDA scheduler policy scheduler. If a <b>max-rate</b> is defined that is smaller than the port rate, the port will be rate limited to the expressed megabits-per-second value. This command should be used with caution if the policy may be applied on ingress for an HSMDA as the total port ingress rate will be limited to the defined maximum rate.</p> <p>This command can be executed at any time for any non-default existing HSMDA scheduler policy. When a new maximum rate is given for a policy, the system evaluates all instances of the policy to see if the configured rate is smaller than the available port bandwidth. If the rate is smaller and the maximum rate is not currently overridden on the scheduler instance, the scheduler instance is updated with the new maximum rate value.</p> <p>The maximum rate value defined in the policy can be overridden on each scheduler instance. If the maximum rate is explicitly defined as an override on a port or ingress HSMDA, the policy's max-rate value has no effect.</p> <p>The <b>no</b> form of the command removes an explicit rate value from the HSMDA scheduler policy. Once removed, all instances of the scheduler policy on egress ports or ingress HSMDAs are allowed to run at the available line rate unless the instance has a max-rate override in place.</p> |
| <b>Parameters</b>  | <p><i>rate</i> — Specifies an explicit maximum frame based bandwidth limit for the HSMDA scheduler policy scheduler.</p> <p><b>Values</b> 1 to 40000000 megabits per second, max</p>                                                                                                                                                                                                                                                                                                                                                                                                                                                                                                                                                                                                                                                                                                                                                                                                                                                                                                                                                                                                                                                                                                                                                                                                                                                      |

## scheduling-class

**Syntax** **scheduling-class** *class* **group** *group-id* [**weight** *weight-in-group*]

**scheduling-class** *class* **rate** *rate*  
**no scheduling-class** *class*

**Context** config>qos>hsmda-scheduler-policy

**Description** This command configures the behavior of a specific scheduling class on all HSMDA schedulers associated with the policy. The **scheduling-class** command performs one of two operations, configure a maximum rate for the scheduling class or place the scheduling class into one of the two available weighted scheduling groups. The two operations are mutually exclusive.

By default, none of the scheduling classes are members of either weighted scheduling group and each class is set to a rate limit of **max** (meaning that no rate limit is applied).

### Specifying Scheduling Class Rate (or Removing Class from Group)

If the **scheduling-class** command is executed with the **rate** keyword specified, either **max** or a specified *megabits-per-second* rate must follow. If class-id had previously been mapped into one of the two weighted scheduling groups, the class will be removed. However, if removing the class from the group will cause the group to no longer have contiguous class members, the command will fail with no effect on the specified class. A non-contiguous grouping error will be returned specifying the weighted group. The lowest or highest members within a weighted group must be removed prior to removing the middle member. For example, if scheduling classes 3, 4 and 5 were members of weighted group 1, class 4 can not be removed first.

The **scheduling-class** command using the **rate** keyword will also fail in the event where an override for the group weight is in place on the scheduling class within a scheduler associated with the policy. The override command is expecting the class to be associated with a weighted scheduling group and the policy rate definition is attempting to remove the class from the group. An override mismatch error will be generated specifying the scheduling object where the override exists (SAP, subscriber or ingress HSMDA).

Once a rate has been successfully defined for a scheduling class, the specified rate is automatically updated on all HSMDA scheduler instances associated with the scheduling policy. The exception is where the scheduler instance has a local override for the rate on the scheduling class.

### Specifying Scheduling Class Weighted Group Membership

If the **scheduling-class** command is executed with the **group** keyword specified, *group-id* must follow. Two weighted scheduling groups are allowed, numbered 1 and 2. Along with the **group**, the **weight** keyword is used to specify the weight the scheduling class within the group. If **weight** is not specified, the default weight of 1 will be used. Similar to the rate action of the command, the **group** version will fail if the scheduling class ID is not consecutive with the class members currently members of the weighted scheduling group. The command will have no effect on the current scheduling class settings and a non-contiguous grouping error will be returned specifying the weighted scheduling group and the current group members.

The `scheduling-class` command will also fail using the `group` keyword when a rate override for the scheduling class exists on an HSMDA scheduler instance associated with the policy. The rate override for the scheduling class indicates the class is directly attached to a strict priority level, conflicting with the policy `group` keyword trying to place the class in the specified group. The command will fail without effecting the scheduling class definition on the policy and return an `override-mismatch` error specifying the scheduling object where the override exists.

The configured priority level rate limits may be overridden at the egress port or channel using the `egress-scheduler-override level priority-level` command. When a scheduler instance has an override defined for a priority level, both the rate and cir values are overridden even when one of them is not explicitly expressed in the override command. For instance, if the cir kilobits-per-second portion of the override is not expressed, the scheduler instance defaults to not having a CIR rate limit for the priority level even when the port scheduler policy has an explicit CIR limit defined.

### Other Override Constraints

The scheduling overrides cannot change or remove a scheduling class from a policy defined weighted group membership.

The `no` form of the command returns the scheduling class represented by `class-id` to the default behavior. The default behavior for a scheduling class is to not be a member of either weighted scheduling class groups and have a rate set to `max`. The `no` form of the command will fail if the scheduling class is currently a member of one of the weighted scheduling class groups and a weight override is in effect on a scheduling object for the class. An `override mismatch` error will be returned specifying the scheduling object where the override exists.

### Parameters

**class** — specifies the weight the QMDA port scheduler policy should apply to this policy level within the group it belongs to.

**Values** 1 to 8

**group *group-id*** — If the `scheduling-class` command is executed with the `group` keyword specified, a `group-id` must be specified. Two weighted scheduling groups are allowed, numbered 1 and 2. With the `group`, the `weight` keyword specifies the weight the scheduling class within the group. If weight is not specified, the default weight is 1. Similar to the rate action of the command, the `group` version will fail if the scheduling class ID is not consecutive with the class members currently members of the weighted scheduling group. The command will have no effect on the current scheduling class settings and a non-contiguous grouping error will be returned specifying the weighted scheduling group and the current group members.

The `scheduling-class` command will also fail using the `group` keyword when a `rate` override for the scheduling class exists on an HSMDA scheduler instance associated with the policy. The rate override for the scheduling class indicates the class is directly attached to a strict priority level, conflicting with the policy `group` keyword trying to place the class in the specified group. The command will fail without effecting the scheduling class definition on the policy and return an `override-mismatch` error specifying the scheduling object where the override exists.

The configured priority level rate limits can be overridden at the egress port or channel using the **egress-scheduler-override level *priority-level*** command. When a scheduler instance has an override defined for a priority level, both the rate and cir values are overridden even when one of them is not explicitly expressed in the override command. For instance, if the CIR kilobits-per-second portion of the override is not expressed, the scheduler instance defaults to not having a CIR rate limit for the priority level even when the port scheduler policy has an explicit CIR limit defined.

**Values** 1, 2

**weight *weight-in-group*** — Specifies the relative weight of *class-id* to the other scheduling classes within the group. If group is specified without the weight keyword, a default weight is 1.

**Values** 1 to 100

**rate *rate*** — If the **scheduling-class** command is executed with the **rate** keyword specified, either **max** or a specified *megabits-per-second* rate must follow. If *class-id* was previously mapped into one of the two weighted scheduling groups, the class will be removed. However, if removing the class from the group will cause the group to no longer have contiguous class members, the command will fail with no effect on the specified class. A non-contiguous grouping error will be returned specifying the weighted group. The lowest or highest members within a weighted group must be removed prior to removing the middle member. For example, if scheduling classes 3, 4 and 5 were members of weighted group 1, class 4 cannot be removed first.

The **scheduling-class** command using the **rate** keyword will also fail in the event where an override for the group weight is in place on the scheduling class within a scheduler associated with the policy. The override command is expecting the class to be associated with a weighted scheduling group and the policy rate definition is attempting to remove the class from the group. An override mismatch error will be generated specifying the scheduling object where the override exists (such as a SAP, subscriber or ingress HSMDA).

Once a rate has been successfully defined for a scheduling class, the specified rate is automatically updated on all HSMDA scheduler instances associated with the scheduling policy. The exception is where the scheduler instance has a local override for the rate on the scheduling class.

The **max** keyword specifies that a limit is not enforced for the specified *class-id* and that the *class-id* is not a member of a weighted scheduling class group. The **max** keyword is mutually exclusive to the kilobits-per-second parameter and when specified, must directly follow the rate keyword. Setting the rate of the class to **max** will fail when the class currently has a group weight override defined on a scheduling object (SAP, subscriber profile or ingress HSMDA).

**Values** 1 to 40000000, max

## HSMDA Slope QoS Policy Commands

### hsmda-slope-policy

**Syntax** **hsmda-slope-policy *policy-name* [create]**

**no hsmda-slope-policy** *policy-name***Context** config>qos

**Description** This command creates an HSMDA RED slope policy. The policy may be assigned to an ingress or egress HSMDA queue. The policy contains the Maximum Buffer Size (MBS) that will be applied to the queue and the high and low priority RED slope definitions. The function of the MBS and RED slopes is to provide congestion control for an HSMDA queue. The MBS parameter defines the maximum depth a queue may reach when accepting packets. The low and high priority RED slopes provides for random early detection of congestion and slope based discards based on queue depth.

An HSMDA slope policy can be applied to queues defined in the SAP ingress and SAP egress QoS policy HSMDA queues context. Once an HSMDA slope policy is applied to a SAP QoS policy queue, it cannot be deleted. Any edits to the policy are updated to all HSMDA queues indirectly associated with the policy.

**Default HSMDA Slope Policy**

An HSMDA slope policy named “default” always exists on the system and does not need to be created. The default policy is automatically applied to all HSMDA queues unless another HSMDA slope policy is specified for the queue. The default policy cannot be modified or deleted. Attempting to execute the **no hsmda-slope-policy default** command results in an error.

The **no** form of the command removes the specified HSMDA slope policy from the configuration. If the HSMDA slope policy is currently associated with an HSMDA queue, the command will fail.

[Table 65](#) displays the default slope policy parameters.

**Table 65: HSMDA Default Slope Policy Values**

| Parameter  |             | Default Value |
|------------|-------------|---------------|
| queue-mbs  |             | 16,800 bytes  |
| high-slope |             |               |
|            | start-depth | 100.00        |
|            | max-depth   | 100.00        |
|            | max-prob    | 100.00        |
|            | shutdown    | no shutdown   |
| high-slope |             |               |
|            | start-depth | 90.00         |
|            | max-depth   | 90.00         |
|            | max-prob    | 100.00        |
|            | shutdown    | no shutdown   |

## HSMDA Command Reference

- Parameters** *policy-name* — Specifies a HSMDA slope policy. Each HSMDA slope policy must be uniquely named within the system. Names of up to 32 ASCII characters are supported with the normal character restrictions. An HSMDA slope policy must exist prior to applying the policy name to an HSMDA queue. 1024 policies are allowed per system.
- create** — The **create** keyword is required when the **create** command is enabled in the **environment** context to create a new HSMDA scheduler policy. This keyword is not required when the protection is disabled. The keyword is ignored when the HSMDA scheduler policy already exists.

### high-slope

- Syntax** **high-slope**
- Context** config>qos>hsmda-slope-policy
- Description** This command enables the high priority RED slope context of an HSMDA slope policy. Within the high-slope context, the high priority RED slope configuration commands defining the start of slope, end of slope and maximum probability points may be executed.
- For ingress, packets classified as priority high or profile in are mapped to the high priority RED slope for queue congestion management.
- At egress, packets received from ingress as in-profile are mapped to the high priority RED slope for queue congestion management. In-profile is derived at ingress either from within-CIR profiling or from explicit profile in classification.

### start-depth

- Syntax** **start-depth** *percent-of-queue-depth*  
**no start-depth**
- Context** config>qos>hsmda-slope-policy>high-slope  
config>qos>hsmda-slope-policy>low-slope
- Description** This command defines the starting point for a slope relative to the maximum depth of the queue-mbs value of the HSMDA slope policy. At the point the slope starts, it rises from a discard probability of zero until it reaches the max-depth and max-prob points defining where the slope rises directly to a discard probability of 100%.
- As packets arrive at the queue, a random number is generated that is ranged from 0 to 100% discard probability. The packet will be associated with either the high priority slope or the low priority slope. The current queue depth plots the position where the slope will be evaluated. If the random number is equal to or greater than the slope's discard probability at the current depth, the packet is eligible to enter the queue. If the random number is less than the slope discard probability, the packet is discarded.



The defined *percent-of-queue-depth* value for the `start-depth` command is defined as a percentage of the `queue-mbs` value. The value defined for the `start depth` must be less than or equal to the current percentage value for `max-depth`. If the defined value is greater than **max-depth**, the **start-depth** command will fail with no change to the current value. If the **max-depth** value is less than the desired **start-depth** value, first change **max-depth** to a value equal to or greater than the desired **start-depth**.

The **no** form of the command restores the default start point percentage value for the slope. The low and high slopes have different default values. If the default value is greater than the current `max-depth` value, the **no start-depth** command will fail.

**Parameters** *percent-of-queue-depth* — Specifies the start depth for the high or low slopes.

### low-slope

**Syntax** **low-slope**

**Context** `config>qos>hsmda-slope-policy`

**Description** This command enables the low priority RED slope context of an HSMDA slope policy. Within the low-slope context, the low priority RED slope configuration commands defining the start of slope, end of slope and maximum probability points may be executed.

For ingress, packets classified as priority low or profile out are mapped to the low priority RED slope for queue congestion management.

At egress, packets received from ingress as out-of-profile are mapped to the low priority RED slope for queue congestion management. Out-of-profile is derived at ingress either from above-CIR profiling or from explicit profile out classification.

### max-depth

**Syntax** **max-depth** *percent-of-queue-depth*  
**no max-depth**

**Context** `config>qos>hsmda-slope-policy>high-slope`  
`config>qos>hsmda-slope-policy>low-slope`

**Description** This command defines the ending queue depth point for a slope relative to the maximum depth of the `queue-mbs` value of the HSMDA slope policy. At the point the slope ends, it has risen from the starting queue depth value with a discard probability of zero. At `max-depth`, the slope will have risen to the discard probability defined by `max-depth` at which point the slope rises directly to a discard probability of 100%.

If the queue depth has reached the point defined by `max-depth`, all packets associated with the slope will be discarded.

## HSMDA Command Reference

The defined percent-of-queue-depth for max-depth is defined as a percentage of the queue-mbs value. The value defined as the maximum depth must be greater than or equal to the current percentage value for start-depth. If the defined value is less than start-depth, the max-depth command will fail with no change to the current value. If the start-depth value is greater than the desired max-depth value, first change start-depth to a value equal to or less than the desired max-depth.

The no form of the command restores the default ending point percentage value for the slope. The low and high slopes have different default values. If the default value is less than the current start-depth value, the no max-depth command will fail.

The no form of the command restores the default maximum probability percentage value for the end of the slope.

**Parameters** *percent-of-queue-depth* — Specifies the max depth for the high or low slopes. The percent-of-queue-depth parameter is required when executing the max-depth command. It is expressed as a percentage value with two decimal places (100th of a percent) accuracy. Specifying the fractional portion is optional.

### max-prob

**Syntax** **max-prob** *discard-probability-in-percent*  
**no max-prob**

**Context** config>qos>hsmda-slope-policy>high-slope  
config>qos>hsmda-slope-policy>low-slope

**Description** This command defines the slopes maximum probability point where the slope ends and the discard probability rises directly to 100%. Together with the max-depth command, the max-prob value defines the end of the slope.

The defined percent-of-discard-probability for max-prob is defined as a percentage of a 100% discard probability. If a value of 75% is defined, near the end of the slope close to 75% of the packets will be discarded. At the end of the slope, the discard probability rises to 100% and all packets are discarded.

**Parameters** *discard-probability-in-percent* — Specifies the max probability percentage for the high or low slopes. The percent-of-discard-probability parameter is required when executing the max-prob command. It is expressed as a percentage value with two decimal places (100th of a percent) accuracy. Specifying the fractional portion is optional.

## HSMDA WRR QoS Policy Commands

### hsmda-wrr-policy

**Syntax** **hsmda-wrr-policy** *policy-name* [create]  
**no hsmda-wrr-policy** *policy-name*

|                    |                                                                                                                                                                                                                                                                                                                                                                                                                                                                                                                                                                                                                                                                     |
|--------------------|---------------------------------------------------------------------------------------------------------------------------------------------------------------------------------------------------------------------------------------------------------------------------------------------------------------------------------------------------------------------------------------------------------------------------------------------------------------------------------------------------------------------------------------------------------------------------------------------------------------------------------------------------------------------|
| <b>Context</b>     | config>qos                                                                                                                                                                                                                                                                                                                                                                                                                                                                                                                                                                                                                                                          |
| <b>Description</b> | <p>This command creates an HSMDA weighed-round-robin (WRR) scheduling loop policy. The policy may be assigned to an egress HSMDA queue.</p> <p>The <b>no</b> form of the command removes the specified HSMDA WRR policy from the configuration. If the HSMDA WRR policy is currently associated with an HSMDA queue, the command will fail.</p>                                                                                                                                                                                                                                                                                                                     |
| <b>Parameters</b>  | <p><i>policy-name</i> — Specifies a HSMDA WRR policy. Each HSMDA WRR policy must be uniquely named within the system. Names of up to 32 ASCII characters are supported with the normal character restrictions. An HSMDA WRR policy must exist prior to applying the policy name to an HSMDA queue. Up to 32 WRR policies are supported on the system.</p> <p><b>create</b> — The <b>create</b> keyword is required when the <b>create</b> command is enabled in the <b>environment</b> context to create a new HSMDA WRR policy. This keyword is not required when the protection is disabled. The keyword is ignored when the HSMDA WRR policy already exists.</p> |

## include-queues

|                    |                                                                                                                                                                                                                                                                                                                               |
|--------------------|-------------------------------------------------------------------------------------------------------------------------------------------------------------------------------------------------------------------------------------------------------------------------------------------------------------------------------|
| <b>Syntax</b>      | <b>include-queues {1-2   1-3}</b><br><b>no include-queues</b>                                                                                                                                                                                                                                                                 |
| <b>Context</b>     | config>qos>hsmda-wrr-policy                                                                                                                                                                                                                                                                                                   |
| <b>Description</b> | <p>This command includes either the first two (1 and 2) queues or the first three (1, 2, and 3) queues into the HSMDA WRR scheduling loop policy. This command defines how many queues are members of the scheduling loop.</p> <p>The <b>no</b> form of the command removes an explicit queues from the HSMDA WRR policy.</p> |
| <b>Parameters</b>  | <p><b>1-2</b> — Includes the first two (1-2) queues into the HSMDA WRR policy.</p> <p><b>1-3</b> — Includes the first three (1-3) queues into the HSMDA WRR policy.</p>                                                                                                                                                       |

## schedule-using-class

|                    |                                                                                                                                                                                                                                                                                                                    |
|--------------------|--------------------------------------------------------------------------------------------------------------------------------------------------------------------------------------------------------------------------------------------------------------------------------------------------------------------|
| <b>Syntax</b>      | <b>scheduling-using-class {1   2   3}</b><br><b>no scheduling-using-class</b>                                                                                                                                                                                                                                      |
| <b>Context</b>     | config>qos>hsmda-wrr-policy<br>config>qos>hsmda-wrr-policy                                                                                                                                                                                                                                                         |
| <b>Description</b> | <p>This command specifies the scheduling class for the HSMDA WRR scheduling loop policy. This command specifies which scheduling class the scheduling loop will participate with on the system.</p> <p>The <b>no</b> form of the command removes an explicit scheduling class value from the HSMDA WRR policy.</p> |
| <b>Parameters</b>  | <b>1</b> — Specifies scheduling class <b>1</b> for the HSMDA WRR policy.                                                                                                                                                                                                                                           |

## HSMDA Command Reference

2 — Specifies scheduling class **2** for the HSMDA WRR policy.

3 — Specifies scheduling class **3** for the HSMDA WRR policy.

### class-agg-weight

|                    |                                                                                                                                                                                                                                                                                                                                          |
|--------------------|------------------------------------------------------------------------------------------------------------------------------------------------------------------------------------------------------------------------------------------------------------------------------------------------------------------------------------------|
| <b>Syntax</b>      | <b>class-agg-weight</b> { <b>1</b>   <b>2</b>   <b>4</b>   <b>8</b> }<br><b>no class-agg-weight</b>                                                                                                                                                                                                                                      |
| <b>Context</b>     | config>qos>hsmda-wrr-policy<br>config>qos>hsmda-wrr-policy                                                                                                                                                                                                                                                                               |
| <b>Description</b> | This command specifies the aggregate weight within the scheduling class for the HSMDA WRR scheduling loop policy.<br><br>The <b>no</b> form of the command removes an explicit aggregate weight value from the HSMDA WRR policy.                                                                                                         |
| <b>Parameters</b>  | <b>1</b> — Specifies the aggregate weight as <b>1</b> for the HSMDA WRR policy.<br><b>2</b> — Specifies the aggregate weight as <b>2</b> for the HSMDA WRR policy.<br><b>4</b> — Specifies the aggregate weight as <b>4</b> for the HSMDA WRR policy.<br><b>8</b> — Specifies the aggregate weight as <b>8</b> for the HSMDA WRR policy. |

## Show QoS HSMDA Commands

### hsmda-pool-policy

|                    |                                                                                                                                                                                                                                                                         |
|--------------------|-------------------------------------------------------------------------------------------------------------------------------------------------------------------------------------------------------------------------------------------------------------------------|
| <b>Syntax</b>      | <b>hsmda-pool-policy</b> [ <i>hsmda-pool-policy-name</i> ] [ <b>associations</b> ] [ <b>detail</b> ]                                                                                                                                                                    |
| <b>Context</b>     | show>qos                                                                                                                                                                                                                                                                |
| <b>Description</b> | This command displays HSMDA pool policy information.                                                                                                                                                                                                                    |
| <b>Parameters</b>  | <i>hsmda-pool-policy-name</i> — Displays information about the specified HSMDA pool policy up to 32 characters in length.<br><b>associations</b> — Displays entities associated with the specified HSMDA pool policy.<br><b>detail</b> — Displays detailed information. |

#### Output

#### Sample Output

```
*A:ALA-48>show>qos# hsmda-pool-policy
=====
```

```

Qos HSMDA Pool Policy
=====
Policy Name Description

default Default hsmda Pool policy.
=====
*A:ALA-48>show>qos#

*A:Dut-A# show qos hsmda-pool-policy ingPoolPol detail
=====
Qos HSMDA Pool Policy
=====
Policy Name : ingPoolPol
Description : (Not Specified)
Sys. Reserve : 10.00

=====
Class Tier
=====
Class Pool Root Parent Alloc. Percent

1 1 100.00
2 2 100.00
3 3 100.00
4 4 100.00
5 5 100.00
6 6 100.00
7 7 100.00
8 8 100.00
=====

=====
Root Tier
=====
Root Pool Root Weight

1 100
2 100
3 100
4 100
5 100
6 100
7 100
8 100
=====

Associations

- MDA Ingress: 4/1

=====
*A:Dut-A#

*A:Dut-A# show qos hsmda-pool-policy ingPoolPol association
=====

```

## HSMDA Command Reference

```
Qos HSMDA Pool Policy
=====
Policy Name : ingPoolPol
=====
Description : (Not Specified)

Associations

- MDA Ingress: 4/1
=====
*A:Dut-A#
```

### hsmda-pools

- Syntax** **hsmda-pools mda mda-id {ingress | egress} [detail]**
- Context** show>qos
- Description** This command displays HSMDA pool information.
- Parameters** **detail** — Displays detailed information.  
**mda mda-id** — Displays HSMDA pool information associated with the specified XMA or MDA.
- Values** slot/mda
- ingress** — Displays HSMDA ingress pool information associated with the specified XMA or MDA.
- egress** — Displays HSMDA egress pool information associated with the specified XMA or MDA.

### Output

#### Sample Output

```
*A:Dut-A# show qos hsmda-pools ingress mda 4/1
=====
Root Pools
=====
Pool ID Size Remaining

1 117891 117889
2 117891 117891
3 117891 117885
4 117891 117891
5 117891 117891
6 117891 117891
7 117891 117891
8 117891 117891
=====
Class Pools
=====
Pool ID Size Remaining
```

## High Scale Ethernet MDA Capabilities

```

1 117891 117891
2 117891 117891
3 117891 117891
4 117891 117891
5 117891 117891
6 117891 117891
7 117891 117890
8 117891 117891
=====

```

### Port Class Pools

```

Port ID Class ID Size Remaining

1 1 117891 117884
1 2 117891 117891
1 3 117891 117891
1 4 117891 117891
1 5 117891 117891
1 6 117891 117891
1 7 117891 117891
1 8 117891 117889
=====

```

\*A:Dut-A#

\*A:Dut-A# show qos hsmda-pools egress mda 4/1

### Root Pools

```

Pool ID Size Remaining

1 117891 117891
2 117891 117891
3 117891 117891
4 117891 117891
5 117891 117891
6 117891 117891
7 117891 117891
8 117891 117891
=====

```

### Class Pools

```

Pool ID Size Remaining

1 117891 117891
2 117891 117884
3 117891 117891
4 117891 117884
5 117891 117891
6 117891 117891
7 117891 117891
8 117891 117891
=====

```

### Port Class Pools

```

Port ID Class ID Size Remaining

1 1 117891 117891
=====

```

# HSMDA Command Reference

```

1 2 117891 117891
1 3 117891 117886
1 4 117891 117891
1 5 117891 117891
1 6 117891 117891
1 7 117891 117891
1 8 117891 117891
=====
*A:Dut-A#

*A:Dut-A# show qos hsmda-pools ingress mda 4/1 detail
Buffer Pools HSMDA 4/1

Port Allocation Factors
 Port 1 Act-BW: 10 Gbps Modifier: 100 Actual Factor: 10000

Root Pools Percentage of Total: 89.99 Actual Total Size 943128
 Pool 1 Allocation Percentage: 12.50 Size: 117891 Remaining: 117891

 Class-pool 1 Percentage of Root: 100.00 Size: 117891 Remaining: 117891
 Port-class-pool 1 Factor-Size: 117891 Remaining: 117891
 Port-class-pool 2 Factor-Size: 0 Remaining: 0
 Port-class-pool 3 Factor-Size: 0 Remaining: 0
 Port-class-pool 4 Factor-Size: 0 Remaining: 0
 Port-class-pool 5 Factor-Size: 0 Remaining: 0
 Port-class-pool 6 Factor-Size: 0 Remaining: 0
 Port-class-pool 7 Factor-Size: 0 Remaining: 0
 Port-class-pool 8 Factor-Size: 0 Remaining: 0
 Port-class-pool 9 Factor-Size: 0 Remaining: 0
 Port-class-pool 10 Factor-Size: 0 Remaining: 0
 Pool 2 Allocation Percentage: 12.50 Size: 117891 Remaining: 117884

 Class-pool 2 Percentage of Root: 100.00 Size: 117891 Remaining: 117891
 Port-class-pool 1 Factor-Size: 117891 Remaining: 117891
 Port-class-pool 2 Factor-Size: 0 Remaining: 0
 Port-class-pool 3 Factor-Size: 0 Remaining: 0
 Port-class-pool 4 Factor-Size: 0 Remaining: 0
 Port-class-pool 5 Factor-Size: 0 Remaining: 0
 Port-class-pool 6 Factor-Size: 0 Remaining: 0
 Port-class-pool 7 Factor-Size: 0 Remaining: 0
 Port-class-pool 8 Factor-Size: 0 Remaining: 0
 Port-class-pool 9 Factor-Size: 0 Remaining: 0
 Port-class-pool 10 Factor-Size: 0 Remaining: 0
 Pool 3 Allocation Percentage: 12.50 Size: 117891 Remaining: 117891

 Class-pool 3 Percentage of Root: 100.00 Size: 117891 Remaining: 117891
 Port-class-pool 1 Factor-Size: 117891 Remaining: 117891
 Port-class-pool 2 Factor-Size: 0 Remaining: 0
 Port-class-pool 3 Factor-Size: 0 Remaining: 0
 Port-class-pool 4 Factor-Size: 0 Remaining: 0
 Port-class-pool 5 Factor-Size: 0 Remaining: 0
 Port-class-pool 6 Factor-Size: 0 Remaining: 0
 Port-class-pool 7 Factor-Size: 0 Remaining: 0
 Port-class-pool 8 Factor-Size: 0 Remaining: 0
 Port-class-pool 9 Factor-Size: 0 Remaining: 0
 Port-class-pool 10 Factor-Size: 0 Remaining: 0
 Pool 4 Allocation Percentage: 12.50 Size: 117891 Remaining: 117891

```



## High Scale Ethernet MDA Capabilities

|                    |                        |        |        |            |            |        |
|--------------------|------------------------|--------|--------|------------|------------|--------|
| Class-pool 4       | Percentage of Root:    | 100.00 | Size:  | 117891     | Remaining: | 117891 |
| Port-class-pool 1  | Factor-Size:           |        | 117891 | Remaining: | 117891     |        |
| Port-class-pool 2  | Factor-Size:           |        | 0      | Remaining: | 0          |        |
| Port-class-pool 3  | Factor-Size:           |        | 0      | Remaining: | 0          |        |
| Port-class-pool 4  | Factor-Size:           |        | 0      | Remaining: | 0          |        |
| Port-class-pool 5  | Factor-Size:           |        | 0      | Remaining: | 0          |        |
| Port-class-pool 6  | Factor-Size:           |        | 0      | Remaining: | 0          |        |
| Port-class-pool 7  | Factor-Size:           |        | 0      | Remaining: | 0          |        |
| Port-class-pool 8  | Factor-Size:           |        | 0      | Remaining: | 0          |        |
| Port-class-pool 9  | Factor-Size:           |        | 0      | Remaining: | 0          |        |
| Port-class-pool 10 | Factor-Size:           |        | 0      | Remaining: | 0          |        |
| Pool 5             | Allocation Percentage: | 12.50  | Size:  | 117891     | Remaining: | 117891 |
| Class-pool 5       | Percentage of Root:    | 100.00 | Size:  | 117891     | Remaining: | 117891 |
| Port-class-pool 1  | Factor-Size:           |        | 117891 | Remaining: | 117891     |        |
| Port-class-pool 2  | Factor-Size:           |        | 0      | Remaining: | 0          |        |
| Port-class-pool 3  | Factor-Size:           |        | 0      | Remaining: | 0          |        |
| Port-class-pool 4  | Factor-Size:           |        | 0      | Remaining: | 0          |        |
| Port-class-pool 5  | Factor-Size:           |        | 0      | Remaining: | 0          |        |
| Port-class-pool 6  | Factor-Size:           |        | 0      | Remaining: | 0          |        |
| Port-class-pool 7  | Factor-Size:           |        | 0      | Remaining: | 0          |        |
| Port-class-pool 8  | Factor-Size:           |        | 0      | Remaining: | 0          |        |
| Port-class-pool 9  | Factor-Size:           |        | 0      | Remaining: | 0          |        |
| Port-class-pool 10 | Factor-Size:           |        | 0      | Remaining: | 0          |        |
| Pool 6             | Allocation Percentage: | 12.50  | Size:  | 117891     | Remaining: | 117891 |
| Class-pool 6       | Percentage of Root:    | 100.00 | Size:  | 117891     | Remaining: | 117889 |
| Port-class-pool 1  | Factor-Size:           |        | 117891 | Remaining: | 117891     |        |
| Port-class-pool 2  | Factor-Size:           |        | 0      | Remaining: | 0          |        |
| Port-class-pool 3  | Factor-Size:           |        | 0      | Remaining: | 0          |        |
| Port-class-pool 4  | Factor-Size:           |        | 0      | Remaining: | 0          |        |
| Port-class-pool 5  | Factor-Size:           |        | 0      | Remaining: | 0          |        |
| Port-class-pool 6  | Factor-Size:           |        | 0      | Remaining: | 0          |        |
| Port-class-pool 7  | Factor-Size:           |        | 0      | Remaining: | 0          |        |
| Port-class-pool 8  | Factor-Size:           |        | 0      | Remaining: | 0          |        |
| Port-class-pool 9  | Factor-Size:           |        | 0      | Remaining: | 0          |        |
| Port-class-pool 10 | Factor-Size:           |        | 0      | Remaining: | 0          |        |
| Pool 7             | Allocation Percentage: | 12.50  | Size:  | 117891     | Remaining: | 117891 |
| Class-pool 7       | Percentage of Root:    | 100.00 | Size:  | 117891     | Remaining: | 117891 |
| Port-class-pool 1  | Factor-Size:           |        | 117891 | Remaining: | 117889     |        |
| Port-class-pool 2  | Factor-Size:           |        | 0      | Remaining: | 0          |        |
| Port-class-pool 3  | Factor-Size:           |        | 0      | Remaining: | 0          |        |
| Port-class-pool 4  | Factor-Size:           |        | 0      | Remaining: | 0          |        |
| Port-class-pool 5  | Factor-Size:           |        | 0      | Remaining: | 0          |        |
| Port-class-pool 6  | Factor-Size:           |        | 0      | Remaining: | 0          |        |
| Port-class-pool 7  | Factor-Size:           |        | 0      | Remaining: | 0          |        |
| Port-class-pool 8  | Factor-Size:           |        | 0      | Remaining: | 0          |        |
| Port-class-pool 9  | Factor-Size:           |        | 0      | Remaining: | 0          |        |
| Port-class-pool 10 | Factor-Size:           |        | 0      | Remaining: | 0          |        |
| Pool 8             | Allocation Percentage: | 12.50  | Size:  | 117891     | Remaining: | 117891 |
| Class-pool 8       | Percentage of Root:    | 100.00 | Size:  | 117891     | Remaining: | 117884 |
| Port-class-pool 1  | Factor-Size:           |        | 117891 | Remaining: | 117891     |        |
| Port-class-pool 2  | Factor-Size:           |        | 0      | Remaining: | 0          |        |
| Port-class-pool 3  | Factor-Size:           |        | 0      | Remaining: | 0          |        |
| Port-class-pool 4  | Factor-Size:           |        | 0      | Remaining: | 0          |        |
| Port-class-pool 5  | Factor-Size:           |        | 0      | Remaining: | 0          |        |
| Port-class-pool 6  | Factor-Size:           |        | 0      | Remaining: | 0          |        |

## HSMDA Command Reference

```

Port-class-pool 7 Factor-Size: 0 Remaining: 0
Port-class-pool 8 Factor-Size: 0 Remaining: 0
Port-class-pool 9 Factor-Size: 0 Remaining: 0
Port-class-pool 10 Factor-Size: 0 Remaining: 0
*A:Dut-A#

```

### hsmda-scheduler-hierarchy

- Syntax** **hsmda-scheduler-hierarchy port** *port-id* [{**shapers** | **shaper** *shaper-name*}]  
**hsmda-scheduler-hierarchy mda** *mda-id*  
**hsmda-scheduler-hierarchy sap** *sap-id* [**ingress** | **egress**]  
**hsmda-scheduler-hierarchy subscriber** *sub-id* [**ingress** | **egress**]
- Context** show>qos
- Description** This command displays HSMDA scheduler hierarchy information.
- Parameters** **port** *port-id* — Displays HSMDA scheduler hierarchy information about the specified port.

#### Values

|                   |                                                                                                                 |
|-------------------|-----------------------------------------------------------------------------------------------------------------|
| <i>port-id</i>    | <i>slot/mda/port</i> [ <i>.channel</i> ]<br><i>slot[/mda[/port]]</i>                                            |
| <i>eth-sat-id</i> | <i>esat-id/</i><br><i>slot/port</i><br><i>esat</i> keyword<br><i>id</i> 1 to 20                                 |
| <i>pxc-id</i>     | <i>pxc-</i><br><i>id.sub-</i><br><i>port</i><br><i>pxc</i> keyword<br><i>id</i> 1 to 64<br><i>sub-port</i> a, b |
| <i>aps-id</i>     | <i>aps-group-id</i> [ <i>.channel</i> ]<br><i>aps</i> keyword<br><i>group-id</i> 1 — 64                         |
| <i>ccag-id</i>    | <i>slot/mda/path-id</i> [ <i>cc-type</i> ]<br><i>path-id</i> a, b<br><i>cc-type</i> .sap-net,<br>.net-sap       |

**shapers** — Displays all shaper information.

**shaper** *shaper-name* — Displays information about the specified shaper.

**sap** *sap-id* — Displays information about the specified SAP ID.

**Values**

|        |                 |                                                  |
|--------|-----------------|--------------------------------------------------|
| sap-id | null            | <i>port-id</i>   <i>lag-id</i>                   |
|        |                 | dot1q <i>port-id</i>   <i>lag-id</i> :qtag1      |
|        |                 | qinq <i>port-id</i>   <i>lag-id</i> :qtag1.qtag2 |
|        |                 | port-id <i>slot/mda/port</i> [.channel]          |
|        |                 | <i>esat-id/slot/port</i>                         |
|        | esat            | keyword                                          |
|        | <i>id</i>       | 1 to 20                                          |
|        |                 | <i>pxc-id.sub-port</i>                           |
|        | pxc             | keyword                                          |
|        | <i>id</i>       | 1 to 64                                          |
|        | <i>sub-port</i> | a, b                                             |
|        | lag-id          | <i>lag-id</i>                                    |
|        | lag             | keyword                                          |
|        | id              | 1 — 800                                          |
|        | qtag1           | *, 0 — 4094                                      |
|        | qtag2           | *, 0 — 4094                                      |

**ingress** — Displays ingress information about the SAP or subscriber.

**egress** — Displays egress information about the SAP or subscriber.

**subscriber** *sub-id* — Displays information about the specified subscriber.

**Output**

**Sample Output**

```
*A:Dut-A# show qos hsmda-scheduler-hierarchy port 4/1/1 shapers
HSMDA Scheduler Policy egrSchedPol
 Port Bandwidth: 10 Gbps
 Max Rate : 5000457120

Scheduler Priority 8 Rate: 1221455600
 Scheduler Class 8 Rate: 1221455600

Scheduler Priority 7 Rate: 1221539520
 Scheduler Class 7 Rate: 1221539520

Scheduler Priority 6 Rate: 1221623440
 Scheduler Class 6 Rate: 1221623440

Scheduler Priority 5 Rate: 1221539520
 Scheduler Class 5 Rate: 1221539520
```

## HSMDA Command Reference

```
Scheduler Priority 4 Rate: 113963360
 Scheduler Class 4 Rate: 113963360

Scheduler Priority 3 Rate: 0
 Scheduler Class 3 Rate: 0

Scheduler Priority 2 Rate: 0
 Scheduler Class 2 Rate: 0

Scheduler Priority 1 Rate: 0
 Scheduler Class 1 Rate: 0

Secondary Shaper secShaper Rate 4999785760

*A:Dut-A#

*A:Dut-A# show qos hsmda-scheduler-hierarchy port 4/1/1 shaper secShaper

HSMDA Scheduler Policy egrSchedPol
 Port Bandwidth: 10 Gbps
 Max Rate : 4999785760

Scheduler Priority 8 Rate: 1221539520
 Scheduler Class 8 Rate: 1221539520

Scheduler Priority 7 Rate: 1221623440
 Scheduler Class 7 Rate: 1221623440

Scheduler Priority 6 Rate: 1221455600
 Scheduler Class 6 Rate: 1221455600

Scheduler Priority 5 Rate: 1221455600
 Scheduler Class 5 Rate: 1221455600

Scheduler Priority 4 Rate: 113963360
 Scheduler Class 4 Rate: 113963360

Scheduler Priority 3 Rate: 0
 Scheduler Class 3 Rate: 0

Scheduler Priority 2 Rate: 0
 Scheduler Class 2 Rate: 0

Scheduler Priority 1 Rate: 0
 Scheduler Class 1 Rate: 0

Secondary Shaper secShaper Rate 4999869680

*A:Dut-A#

*A:Dut-A# show qos hsmda-scheduler-hierarchy mda 4/1

HSMDA Scheduler Policy ingSchedPol
 Max Rate : 9772064400
```

```
Scheduler Priority 8 Rate: 1221455600
Scheduler Class 8 Rate: 1221455600

Scheduler Priority 7 Rate: 1221455600
Scheduler Class 7 Rate: 1221455600

Scheduler Priority 6 Rate: 1221455600
Scheduler Class 6 Rate: 1221455600

Scheduler Priority 5 Rate: 1221539520
Scheduler Class 5 Rate: 1221539520

Scheduler Priority 4 Rate: 1221539520
Scheduler Class 4 Rate: 1221539520

Scheduler Priority 3 Rate: 1221539520
Scheduler Class 3 Rate: 1221539520

Scheduler Priority 2 Rate: 1221455600
Scheduler Class 2 Rate: 1221455600

Scheduler Priority 1 Rate: 1221539520
Scheduler Class 1 Rate: 1221539520

*A:Dut-A#
*A:Dut-A#
*A:Dut-A# show qos hsmda-scheduler-hierarchy sap 4/1/1:1 ingress

HSMDA Scheduler Policy ingSchedPol
Port Bandwidth: 10 Gbps
Max Rate : 9772094400

Scheduler Priority 8 Rate: 1221539520
Scheduler Class 8 Rate: 1221539520
[4/1/1:1] Queue 8 Rate 14982240

Scheduler Priority 7 Rate: 1221539520
Scheduler Class 7 Rate: 1221539520
[4/1/1:1] Queue 7 Rate 14982240

Scheduler Priority 6 Rate: 1221455600
Scheduler Class 6 Rate: 1221455600
[4/1/1:1] Queue 6 Rate 14982240

Scheduler Priority 5 Rate: 1221539520
Scheduler Class 5 Rate: 1221539520
[4/1/1:1] Queue 5 Rate 14899920

Scheduler Priority 4 Rate: 1221455600
Scheduler Class 4 Rate: 1221455600
[4/1/1:1] Queue 4 Rate 14982240

Scheduler Priority 3 Rate: 1221455600
Scheduler Class 3 Rate: 1221455600
[4/1/1:1] Queue 3 Rate 14982240

Scheduler Priority 2 Rate: 1221539520
Scheduler Class 2 Rate: 1221539520
[4/1/1:1] Queue 2 Rate 14982240
```

## HSMDA Command Reference

```
Scheduler Priority 1 Rate: 1221539520
Scheduler Class 1 Rate: 1221539520
[4/1/1:1] Queue 1 Rate 14982240

*A:Dut-A#
*A:Dut-A# show qos hsmda-scheduler-hierarchy sap 4/1/1:1 egress

HSMDA Scheduler Policy egrSchedPol
Port Bandwidth: 10 Gbps
Max Rate : 5000373200

Scheduler Priority 8 Rate: 1221623440
Scheduler Class 8 Rate: 1221623440
[4/1/1:1] Queue 8 Rate 14982240

Scheduler Priority 7 Rate: 1221455600
Scheduler Class 7 Rate: 1221455600
[4/1/1:1] Queue 7 Rate 14982240

Scheduler Priority 6 Rate: 1221539520
Scheduler Class 6 Rate: 1221539520
[4/1/1:1] Queue 6 Rate 14982240

Scheduler Priority 5 Rate: 1221455600
Scheduler Class 5 Rate: 1221455600
[4/1/1:1] Queue 5 Rate 14982240

Scheduler Priority 4 Rate: 113963360
Scheduler Class 4 Rate: 113963360
[4/1/1:1] Queue 4 Rate 1399440

Scheduler Priority 3 Rate: 0
Scheduler Class 3 Rate: 0
[4/1/1:1] Queue 3 Rate 0

Scheduler Priority 2 Rate: 0
Scheduler Class 2 Rate: 0
[4/1/1:1] Queue 2 Rate 0

Scheduler Priority 1 Rate: 0
Scheduler Class 1 Rate: 0
[4/1/1:1] Queue 1 Rate 0

*A:Dut-A#
*A:Dut-A# show qos hsmda-scheduler-hierarchy subscriber s1.1.1 egress
HSMDA Scheduler Policy egrSchedPol
Port Bandwidth: 10 Gbps
Max Rate: 7972904400

Scheduler Priority 8 Rate: 1084307200
Scheduler Class 8 Rate: 1084307200
[4/2/1:41] Queue 8Rate 0

Scheduler Priority 7 Rate: 1085220800
Scheduler Class 7 Rate: 1085220800
[4/2/1:41] Queue 7Rate 112000
```

```
Scheduler Priority 6 Rate: 1018748800
 Scheduler Class 6 Rate: 1018748800
 [4/2/1:41] Queue 6Rate 0

Scheduler Priority 5 Rate: 1006536000
 Scheduler Class 5 Rate: 1006536000
 [4/2/1:41] Queue 5Rate 0

Scheduler Priority 4 Rate: 1002505600
 Scheduler Class 4 Rate: 1002505600
 [4/2/1:41] Queue 4Rate 0

Scheduler Priority 3 Rate: 951526400
 Scheduler Class 3 Rate: 951526400
 [4/2/1:41] Queue 3Rate 0

Scheduler Priority 2 Rate: 938782400
 Scheduler Class 2 Rate: 938782400
 [4/2/1:41] Queue 2Rate 57600

Scheduler Priority 1 Rate: 916656400
 Scheduler Class 1 Rate: 916656400
 [4/2/1:41] Queue 1Rate 51520
```

\*A:Dut-A#

## hsmda-scheduler-policy

- Syntax** `hsmda-scheduler-policy [hsmda-scheduler-policy-name] [associations] [detail]`
- Context** `show>qos`
- Description** This command displays HSMDA scheduler policy information.
- Parameters**
  - hsmda-scheduler-policy-name* — Displays information about the specified HSMDA scheduler policy.
  - associations** — Displays entities associated with the specified HSMDA scheduler policy.
  - detail** — Displays detailed information.

### Output

#### Sample Output

```
*A:Dut-A# show qos hsmda-scheduler-policy ingSchedPol detail
=====
QoS HSMDA Scheduler Policy
=====
Policy Name : ingSchedPol
=====
Description : Scheduler Policy Id ingSchedPol
=====
Max Rate: max
```

## HSMDA Command Reference

```
Group 1 Rate: max
 No classes assigned to group

Group 2 Rate: max
 No classes assigned to group

No Group
 Class 1 - Rate: max
 Class 2 - Rate: max
 Class 3 - Rate: max
 Class 4 - Rate: max
 Class 5 - Rate: max
 Class 6 - Rate: max
 Class 7 - Rate: max
 Class 8 - Rate: max

Associations

- MDA Ingress : 4/1 override
=====
*A:Dut-A#

*A:Dut-A# show qos hsmda-scheduler-policy ingSchedPol association
=====
QoS HSMDA Scheduler Policy
=====
Policy Name : ingSchedPol
=====
Description : Scheduler Policy Id ingSchedPol

Associations

- MDA Ingress : 4/1 override
=====
*A:Dut-A#
```

### hsmda-slope-policy

- Syntax** `hsmda-slope-policy [hsmda-slope-policy-name] [associations] [detail]`
- Context** `clear>qos`
- Description** This command displays HSMDA slope policy information.
- Parameters** *hsmda-slope-policy-name* — Displays information about the specified HSMDA slope policy.  
**associations** — Displays entities associated with the specified HSMDA slope policy.  
**detail** — Displays detailed information.
- Output**



**Sample Output**

```

*A:Dut-A# show qos hsmda-slope-policy slopePol detail
=====
Qos HSMDA Slope Policy
=====
Policy Name : slopePol
=====
Description : (Not Specified)
Provisioned Queue MBS : 168000

High Slope Parameters

Start Depth : 100.00 Admin State : Enabled
Max Depth : 100.00 Max Prob. : 100.00

Low Slope Parameters

Start Depth : 90.00 Admin State : Enabled
Max Depth : 90.00 Max Prob. : 100.00

SAP-Ingress Associations

Policy ID Queues

1000 1 2 3 4 5 6 7 8

SAP-Egress Associations

Policy ID Queues

No Association Found.

SAP Override Associations

SAP ID Direction Queues

No Association Found.

Sub-Profile Override Associations

Sub-Profile Direction Queues

No Association Found.
=====
*A:Dut-A#

*A:Dut-A# show qos hsmda-slope-policy slopePol association
=====
Qos HSMDA Slope Policy
=====
Policy Name : slopePol
=====
Description : (Not Specified)

SAP-Ingress Associations

```

# HSMDA Command Reference

```
Policy ID Queues

1000 1 2 3 4 5 6 7 8

SAP-Egress Associations

Policy ID Queues

No Association Found.

SAP Override Associations

SAP ID Direction Queues

No Association Found.

Sub-Profile Override Associations

Sub-Profile Direction Queues

No Association Found.
=====
*A:Dut-A#
```

# QoS in MC-MLPPP

---

## In This Section

This section provides information to configure MC-MLPPP using the command line interface.

Topics in this section include:

- [Overview](#)
- [Basic Configurations](#)
- [QoS in MLFR and FRF.12 Fragmentation](#)

## Overview

If the user enables the multiclass option under an MLPPP bundle, the XMA or MDA egress data path provides a queue for each of the 4 classes of MLPPP. The user configures the required number of MLPPP classes to use on a bundle. The forwarding class of the packet, as determined by the ingress QoS classification, is used to determine the MLPPP class for the packet and hence which of the four egress XMA or MDA queues to store the packet. The mapping of forwarding class to MLPPP class is a function of the user configurable number of MLPPP classes. The default mapping for a 4-class, 3-class, and 2-class MLPPP bundle is shown in [Table 66](#).

**Table 66: Default Packet Forwarding Class to MLPPP Class Mapping**

| FC ID | FC Name | Scheduling Priority (Default) | MLPPP Class 4-class bundle | MLPPP Class 3-class bundle | MLPPP Class 2-class bundle |
|-------|---------|-------------------------------|----------------------------|----------------------------|----------------------------|
| 7     | NC      | Expedited                     | 0                          | 0                          | 0                          |
| 6     | H1      | Expedited                     | 0                          | 0                          | 0                          |
| 5     | EF      | Expedited                     | 1                          | 1                          | 1                          |
| 4     | H2      | Expedited                     | 1                          | 1                          | 1                          |

**Table 66: Default Packet Forwarding Class to MLPPP Class Mapping (Continued)**

| FC ID | FC Name | Scheduling Priority (Default) | MLPPP Class 4-class bundle | MLPPP Class 3-class bundle | MLPPP Class 2-class bundle |
|-------|---------|-------------------------------|----------------------------|----------------------------|----------------------------|
| 3     | L1      | Non-Expedited                 | 2                          | 2                          | 1                          |
| 2     | AF      | Non-Expedited                 | 2                          | 2                          | 1                          |
| 1     | L2      | Non-Expedited                 | 3                          | 2                          | 1                          |
| 0     | BE      | Non-Expedited                 | 3                          | 2                          | 1                          |

Table 67 shows a different mapping enabled when the user applies one of three predefined egress QoS profiles in the 4-class bundle configuration only.

**Table 67: Packet Forwarding Class to MLPPP Class Mapping**

| FC ID | FC Name | Scheduling Priority (Default) | MLPPP Class (MLPPP Egress QoS profile 1, 2, and 3) |
|-------|---------|-------------------------------|----------------------------------------------------|
| 7     | NC      | Expedited                     | 0                                                  |
| 6     | H1      | Expedited                     | 0                                                  |
| 5     | EF      | Expedited                     | 1                                                  |
| 4     | H2      | Expedited                     | 2                                                  |
| 3     | L1      | Non-Expedited                 | 2                                                  |
| 2     | AF      | Non-Expedited                 | 2                                                  |
| 1     | L2      | Non-Expedited                 | 2                                                  |
| 0     | BE      | Non-Expedited                 | 3                                                  |

The MLPPP class queue parameters and its scheduling parameters are also configured by applying one of the three predefined egress QoS profiles to an MLPPP bundle.

Table 68 and Figure 51 provide the details of the class queue threshold parameters. Packets marked with a high drop precedence, such as out-of-profile, by the service or network ingress QoS policy will be discarded when any class queue reaches the OOP threshold. Packet with a low drop precedence marking, such as in-profile, will be discarded when any class queue reaches the max threshold.

**Table 68: MLPPP Class Queue Threshold Parameters**

|                                                 | Class 0 |     | Class 1 |     | Class 2 |     | Class 3 |     |
|-------------------------------------------------|---------|-----|---------|-----|---------|-----|---------|-----|
| Queue Threshold (in ms @ Available bundle rate) | Max     | Oop | Max     | Oop | Max     | Oop | Max     | Oop |
| 2-Class Bundle Default Egress QoS Profile       | 250     | 125 | 750     | 375 | N/A     | N/A | N/A     | N/A |
| 3-Class Bundle Default Egress QoS Profile       | 50      | 25  | 200     | 100 | 750     | 375 | N/A     | N/A |
| 4-Class Bundle Default Egress QoS Profile       | 10      | 5   | 50      | 25  | 150     | 75  | 750     | 375 |
| 4-Class Bundle Egress QoS Profile 1             | 25      | 12  | 5       | 3   | 200     | 100 | 1000    | 500 |
| 4-Class Bundle Egress QoS Profile 2             | 25      | 12  | 5       | 3   | 200     | 100 | 1000    | 500 |
| 4-Class Bundle Egress QoS Profile 3             | 25      | 12  | 5       | 3   | 200     | 100 | 1000    | 500 |

**Figure 51: MLPPP Class Queue Thresholds for In-Profile and Out-of-Profile Packets**

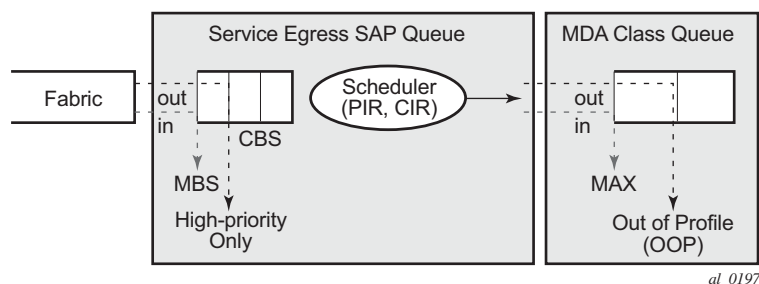


Table 69 and Figure 52 provide the details of the class queue scheduling parameters.

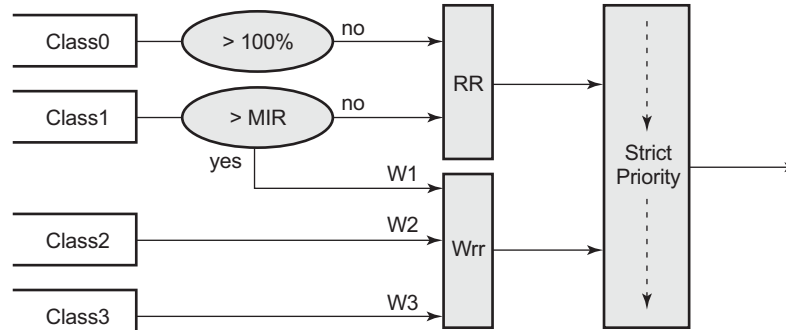
**Table 69: MLPPP Class Queue Scheduling Parameters**

|                                  |     | WRR Parameters |     |     |
|----------------------------------|-----|----------------|-----|-----|
| 4-class MLPPP Egress QoS Profile | MIR | W1             | W2  | W3  |
| Profile 1                        | 85% | <1%            | 66% | 33% |
| Profile 2                        | 90% | <1%            | 89% | 10% |

**Table 69: MLPPP Class Queue Scheduling Parameters (Continued)**

|           |     | WRR Parameters |     |     |
|-----------|-----|----------------|-----|-----|
| Profile 3 | 85% | <1%            | 87% | 12% |

**Figure 52: MLPPP Class Queue Scheduling Scheme**



al\_0193

All queue threshold and queue scheduling parameters are adjusted to the available bundle rate. If a member link goes down or a new member link is added to the bundle, the scheduling parameters MIR, W1, W2, W3, as well as the per class queue thresholds OOP and max are automatically adjusted to maintain the same values.

Class 0 queue is serviced at MLPPP at available bundle rate. Class 1 queue is guaranteed a minimum service rate but is allowed to share additional bandwidth with class 2 and 3 queues based on the configuration of WRR weight W1.

Class queues 2 and 3 can be given bandwidth guarantee by limiting MIR of class 1 queue to less than 100% and by setting the WRR weights W1, W2 and W3 to achieve the desired bandwidth distribution among all three class queues.

There is one queue per bundle member link to carry link control packets, such as LCP: PPP, and which are serviced with strict priority over the 4 class queues (not shown).

In the default 2-class, 3-class, and 4-class egress QoS profile, the class queues are service with strict priority in ascending order of class number.

## Ingress MLPPP Class Reassembly

For a MLPPP bundle with the multi-class option enabled, there is a default profile for setting the re-assembly timer value for each class. When the predefined MLPPP ingress QoS profile 1 is applied to a 4-class bundle, the values of the timers are modified as shown in [Table 70](#).

**Table 70: MLPPP Ingress QoS Profile: Reassembly Timers (msec)**

|                                                    | Class 0 | Class 1 | Class 2 | Class 4 |
|----------------------------------------------------|---------|---------|---------|---------|
| MLPPP ingress QoS default profile (2-Class bundle) | 25ms    | 25ms    | NA      | NA      |
| MLPPP ingress QoS default profile (3-Class bundle) | 25ms    | 25ms    | 25ms    | NA      |
| MLPPP ingress QoS default profile (4-Class bundle) | 25ms    | 25ms    | 100ms   | 1000ms  |
| MLPPP ingress QoS profile 1 (4-class bundle)       | 10      | 10      | 100     | 1000    |

## Configuring MC-MLPPP QoS Parameters

A 4-class MLPPP bundle can be configured. This feature cannot be used with MC-MLPPP bundles with fewer than 4 classes.

The following describe the parameters and the configuration processes and rules:

The user creates an ingress QoS profile, `mlppp-profile-ingress`, to configure the desired value of the ingress per-class re-assembly timer. Ingress QoS profile #1 is reserved to the predefined profile with parameter values in [Table 70](#). The user is allowed to edit this profile and change parameter values. However, the default value of a parameter when a user creates a profile with a profile-id higher than 1, or performs the no option on the parameter, will always be the one in [Table 70](#) for the ingress QoS Profile #1 regardless what parameter value the edited Profile #1 has at that point in time.

- The user creates an egress QoS profile, `mlppp-profile-egress`, to configure the desired values for the per-class queue and queue scheduling parameters. The user is also able to configure the mapping of the system forwarding classes to the MLPPP classes. Egress QoS profiles #1, 2, and 3, are reserved to the predefined profiles with parameter values shown in [Table 67](#), [Table 68](#), or [Table 69](#). The user is allowed to edit these profiles and change parameter values. However, the default value of a parameter when a user creates a profile with a profile-id higher than 3, or when the user performs the no option on the parameter, will be the one shown in [Table 67](#),

[Table 68](#), or [Table 69](#) for the egress QoS Profile #1. This is regardless of the parameter value the edited profiles have at that point in time.

- A maximum of 128 ingress QoS profiles and 128 egress QoS profiles can be created on the system.
- The values of the ingress per-class re-assembly timer are configured in the ingress QoS profile.
- The mapping of the system forwarding classes to the MLPPP Classes are configured in the egress QoS profile. There is a many-to-one relationship between the system FC and an MLPPP class. See [Table 67](#) for the mapping when one of the three predefined 4-class egress QoS profiles is selected.
- The maximum size for each MLPPP class queue in units of msec at the available bundle rate is configured in the egress QoS profile. This is referred to as max in [Figure 51](#) and as max-queue-size in CLI. The out-of-profile threshold for an MLPPP class queue, referred to as oop in [Figure 51](#), is not directly configurable and is set to 50% of the maximum queue size rounded up to the nearest higher integer value.
- The MLPPP class queue scheduling parameters is configured in the egress QoS profile. The minimum information rate, referred to as MIR in [Figure 52](#) and mir in CLI, applies to Class 1 queue only. The MIR parameter value is entered as a percentage of the available bundle rate. The WRR weight, referred to as W1, W2, and W3 in [Figure 52](#) and weight in CLI, applies to class 1, class 2, and class 3 queues. W1 in [Figure 52](#) is not configurable and is internally set to a value of 1 such that Class 1 queue shares 1% of the available bundle rate when the sum of W1, W2, and W3 equals 100. W2 and W3 weights are integer values and are user configurable such that Class 2 queue shares and Class 3 queue shares of the available bundle rate.
- The user applies the ingress and egress QoS profiles to a 4-class MLPPP bundle for the configured QoS parameter values to take effect on the bundle.
- The following operations require the bundles associated with a QoS profile to be shutdown to take effect.
  - A change of the numbered ingress or egress QoS profile associated with a bundle.
  - A change of the bundle associated ingress or egress QoS profile from default profile to a numbered profile and vice-versa.
- The following operations can be performed without shutting down the associated bundles:
  - Changes to any parameters in the ingress and egress QoS profiles.

## Basic Configurations

Configure an egress and ingress MLPPP profile.



The following displays the profile configuration examples:

```
A:ALA-12>config>qos# info
#-----
mlppp-profile-ingress 2 [create]
 description my-4-class-bundle-ingress-profile
 class class 0
 reassembly-timeout 10
 class class 1
 reassembly-timeout 100
 class class 2
 reassembly-timeout 500
 class class 3
 reassembly-timeout 1000
mlppp-profile-egress 4 [create]
 description my-4-class-bundle-egress-profile
 fc be mlppp-class 3
 fc l2 mlppp-class 2
 fc af mlppp-class 2
 fc l1 mlppp-class 2
 fc h2 mlppp-class 2
 fc ef mlppp-class 1
 fc h1 mlppp-class 1
 fc nc mlppp-class 0
 class 0
 max-queue-size 10
 class 1
 max-queue-size 50
 mir 25
 class 2
 max-queue-size 100
 weight 25
 class 3
 max-queue-size 1000
 weight 75
#-----
A:ALA-12>config>qos#

A:ALA-12>config>port>ml-bundle# info
#-----
multilink-bundle bundle-ppp-6/1.1
 multilink-bundle
 fragment-threshold 384
 mlppp
 multiclass 4
 ingress
 qos-profile 2
 exit
 egress
 qos-profile 4
 exit
 exit
 exit
 member 1/1/1.1.1.1
 member 1/1/1.1.2.1
 member 1/1/1.1.3.1
```

## QoS in MLFR and FRF.12 Fragmentation

```
member 1/1/1.1.4.1
minimum-links 2
```

## Configuring MC-MLPPP

Use the following CLI syntax to create an MC-MLPPP:

```
CLI Syntax: config>qos# mlppp-profile-ingress 2 [create]
description dmy-4-class-bundle-ingress-profile
class class 0
 reassembly-timeout 10
class class 1
 reassembly-timeout 100
class class 2
 reassembly-timeout 500
class class 3
 reassembly-timeout 1000
```

```
CLI Syntax: config>qos# mlppp-profile-egress 4 [create]
description dmy-4-class-bundle-egress-profile
```

## QoS in MLFR and FRF.12 Fragmentation

The following sections describe MLFR and FRF.12 feature descriptions and implementation.

### QoS in MLFR

The MLFR feature introduces the following new QoS requirements on the XM or MDA:

- Four XMA or MDA queues are provided per MLFR bundle to store the fragments of the FR SAP packets. One queue per FR scheduling class. Fragments of all FR SAPs of a given scheduling class will be queued in the same queue.
- The fragments of an FR SAP packet must be queued in the same XMA or MDA queue regardless of which forwarding class queue they use in the IOM.

The FR class queue parameters and its scheduling parameters are configured by applying an Egress QoS profile to an MLFR bundle.

Table 71 and Figure 53 provide the details of the class queue threshold parameters. Packets that are marked with high drop precedence, for example, out-of-profile, by the service or network ingress QoS policy will be discarded when any class queue reaches the OOP threshold. Packets with a low drop precedence marking, for example, in profile, will be discarded when any class queue reaches the max threshold. Only the max threshold is user configurable and is referred to as max-queue-size in the CLI. The OOP threshold is always set to 50% of the max threshold.

**Table 71: Default FR Class Queue Threshold Parameters**

|                                               | Class 0 |     | Class 1 |     | Class 2 |     | Class 3 |     |
|-----------------------------------------------|---------|-----|---------|-----|---------|-----|---------|-----|
| Queue threshold (in ms@available bundle rate) | Max     | Oop | Max     | Oop | Max     | Oop | Max     | Oop |
|                                               | 10      | 5   | 50      | 25  | 150     | 75  | 750     | 375 |

**Figure 53: FR Class Queue Thresholds for In-Profile and Out-of-Profile Packets**

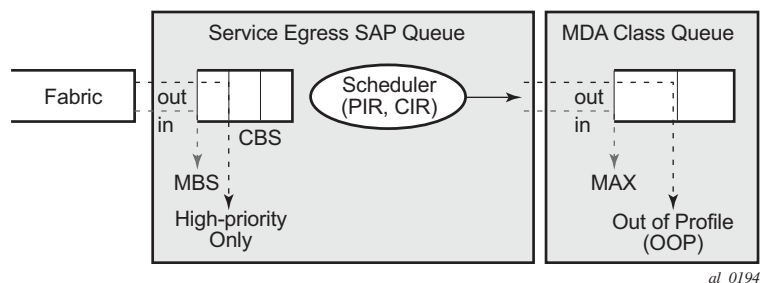
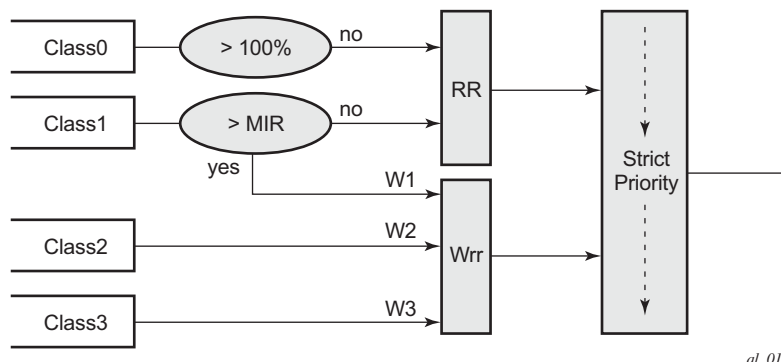


Table 72 and Figure 54 provide the details for the class queue scheduling parameters for an MLFR bundle.

**Table 72: Default FR Class Queue Scheduling Parameters**

| WRR Parameters |     |     |     |
|----------------|-----|-----|-----|
| MIR            | W1  | W2  | W3  |
| 90%            | <1% | 89% | 10% |

**Figure 54: FR Class Queue Scheduling for an MLFR Bundle**



The minimum information rate, referred to as MIR in Figure 54 and MIR in CLI, applies to Class 1 queues only. The MIR parameter value is entered as a percentage of the available bundle rate. The WRR weight, referred to as W1, W2, and W3 in Table 72 and weight in CLI, applies to class 1, class 2, and class 3 queues. W1 is not configurable and is internally set to a value of 1 such that Class 1 queue shares 1% of the available bundle rate when the sum of W1, W2, and W3 equals 100. W2 and W3 weights are integer values and are user configurable such that Class 2 queue shares  $W2/(W1+W2+W3)$  and Class 3 queue shares  $W3/(W1+W2+W3)$  of the available bundle rate.

All queue threshold and queue scheduling parameters are adjusted to the available bundle rate. If a member link goes down or a new member link is added to the bundle, the scheduling parameters MIR, W1, W2, W3, as well as the per class queue thresholds OOP and max are automatically adjusted to maintain the same values.

In addition, operator user can configure the value of the FR scheduling class ingress re-assembly timeout for an MLFR bundle. The default values of the timers are shown in Table 73.

**Table 73: Default FR Ingress QoS Profile: Reassembly Timers (msec)**

| Class 0 | Class 1 | Class 2 | Class 3 |
|---------|---------|---------|---------|
| 10      | 10      | 100     | 100     |

The following operations require the bundles or links associated with a QoS profile to be shutdown to take effect.

- A change of the numbered ingress or egress QoS profile.

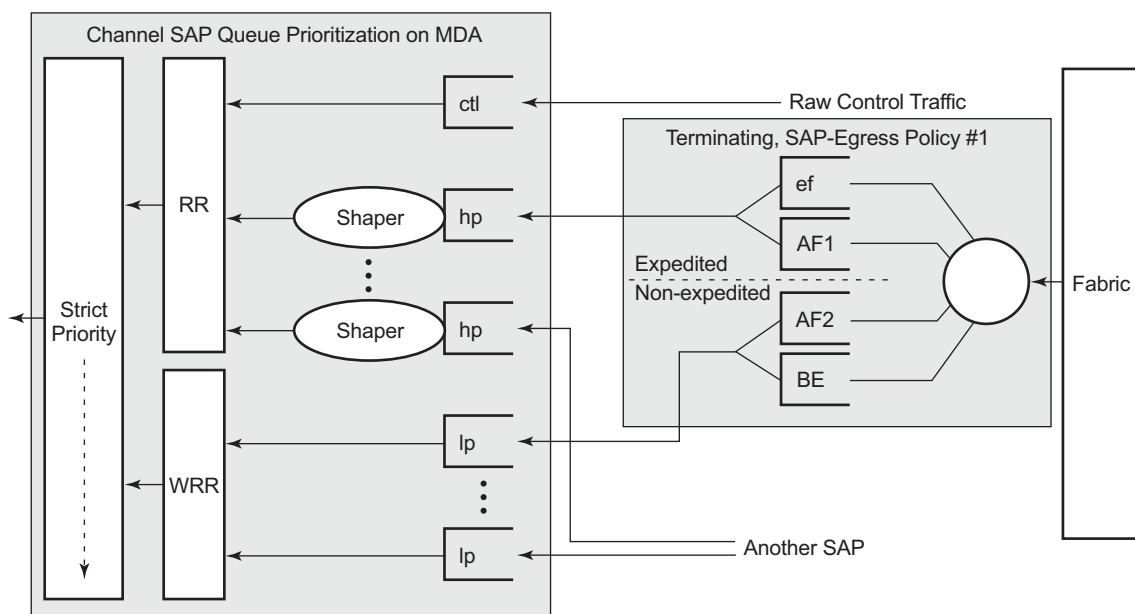
The following operations can be performed without shutting down the associated bundles or links:

- Changes of parameters in the currently assigned ingress and egress QoS profiles.

## QoS in FRF.12 End-to-End Fragmentation

When end-to-end fragmentation is enabled on an FR SAP, the queuing and scheduling on the XMA or MDA is reusing the existing FR SAP high and low priority queues are show in [Figure 55](#).

**Figure 55: DLC Egress Channel Queue Scheduling**



al\_0196

Some minor modifications are introduced to accommodate end-to-end FRF.12 fragments. The user configured FR scheduling class for this SAP will dictate which of the FR SAP XMA or MDA queues should be used to queue the fragments. Classes 0 and 1 map all fragments of the FR SAP to the Hi-Priority SAP queue. Classes 2 and 3 map all fragments of the FR SAP to the Low-Priority SAP queue.

The scheduling parameters of these queues have to be modified from existing ones as follows:

- Hi priority (HP) SAP queue:  $SAP\_HP\_Q\_PIR = \text{Sum}\{\text{all } SAP\_FC\_Q\_PIR\}$
- Low priority (LP) SAP queue:  $SAP\_LP\_Q\_WRR\_Weight = \text{Sum}\{\text{all } SAP\_FC\_Q\_CIR\}$



# MLPPP Command Reference

## Command Hierarchies

### Configuration Commands

```

config
 — qos
 — mlppp-profile-egress profile-id [create]
 — no mlppp-profile-egress profile-id
 — class class-id
 — max-queue-size queue-size
 — no max-queue-size
 — mir mir-value
 — no mir
 — weight weight-value
 — no weight
 — description description-string
 — no description
 — fc fc-class mlppp-class class-id
 — no fc fc-class
 — mlppp-profile-ingress profile-id [create]
 — no mlppp-profile-ingress profile-id
 — class class-id
 — reassemble-timeout timeout-value
 — no reassemble-timeout
 — description description-string
 — no description

```

## Command Descriptions

### Configuration Commands

#### MC-MLPPP Commands

##### mlppp-profile-ingress

|                    |                                                                                                                                                                                                                                                                    |
|--------------------|--------------------------------------------------------------------------------------------------------------------------------------------------------------------------------------------------------------------------------------------------------------------|
| <b>Syntax</b>      | <b>[no] mlppp-profile-ingress</b> <i>profile-id</i> [ <b>create</b> ]                                                                                                                                                                                              |
| <b>Context</b>     | config>qos                                                                                                                                                                                                                                                         |
| <b>Description</b> | <p>This command creates a profile for the user to configure the ingress QoS parameters of a multiclass MLPPP bundle.</p> <p>A maximum of 128 ingress QoS profiles can be created on the system.</p> <p>The <b>no</b> form of this command deletes the profile.</p> |
| <b>Parameters</b>  | <i>profile-id</i> — Specifies a specific multi-class ingress profile.                                                                                                                                                                                              |
| <b>Values</b>      | 1 to 65535                                                                                                                                                                                                                                                         |

##### class

|                    |                                                                                                                                             |
|--------------------|---------------------------------------------------------------------------------------------------------------------------------------------|
| <b>Syntax</b>      | <b>class</b> <i>class-id</i>                                                                                                                |
| <b>Context</b>     | config>qos>mlppp-profile-ingress<br>config>qos>mlppp-profile-egress                                                                         |
| <b>Description</b> | This command provides the MLPPP class context for the user to configure the ingress or egress MLPPP bundle QoS parameters for this profile. |
| <b>Parameters</b>  | <i>class-id</i> — Specifies a class for this policy.                                                                                        |
| <b>Values</b>      | 0 to 3                                                                                                                                      |

##### reassembly-timeout

|                |                                                                                |
|----------------|--------------------------------------------------------------------------------|
| <b>Syntax</b>  | <b>reassembly-timeout</b> <i>timeout-value</i><br><b>no reassembly-timeout</b> |
| <b>Context</b> | config>qos>mlppp-profile-ingress>class                                         |



|                    |                                                                                                            |
|--------------------|------------------------------------------------------------------------------------------------------------|
| <b>Description</b> | This command configures the value of the MLPPP bundle ingress per class reassembly timer for this profile. |
| <b>Parameters</b>  | <i>timeout-value</i> — Specifies a reassembly timeout for this policy.                                     |
| <b>Values</b>      | 1 to 1000 in milliseconds                                                                                  |

## description

|                    |                                                                                                                                                                                                                                                                                                                                                      |
|--------------------|------------------------------------------------------------------------------------------------------------------------------------------------------------------------------------------------------------------------------------------------------------------------------------------------------------------------------------------------------|
| <b>Syntax</b>      | <b>description</b> <i>description-string</i><br><b>no description</b>                                                                                                                                                                                                                                                                                |
| <b>Context</b>     | config>qos>mlppp-profile-ingress<br>config>qos>mlppp-profile-egress                                                                                                                                                                                                                                                                                  |
| <b>Description</b> | This command creates a text description stored in the configuration file for a configuration context.<br><br>The <b>description</b> command associates a text string with a configuration context to help identify the context in the configuration file.<br><br>The <b>no</b> form of this command removes any description string from the context. |
| <b>Default</b>     | No description is associated with the configuration context.                                                                                                                                                                                                                                                                                         |
| <b>Parameters</b>  | <i>description-string</i> — A text string describing the entity. Allowed values are any string up to 80 characters long composed of printable, 7-bit ASCII characters excluding double quotes. If the string contains special characters (#, \$, spaces, etc.), the entire string must be enclosed within double quotes.                             |

## mlppp-profile-egress

|                    |                                                                                                                                                                                                                                                           |
|--------------------|-----------------------------------------------------------------------------------------------------------------------------------------------------------------------------------------------------------------------------------------------------------|
| <b>Syntax</b>      | <b>[no] mlppp-profile-egress</b> <i>profile-id</i> [ <b>create</b> ]                                                                                                                                                                                      |
| <b>Context</b>     | config>qos                                                                                                                                                                                                                                                |
| <b>Description</b> | This command creates a profile for the user to configure the egress QoS parameters of a multiclass MLPPP bundle.<br><br>A maximum of 128 egress QoS profiles can be created on the system.<br><br>The <b>no</b> form of this command deletes the profile. |
| <b>Parameters</b>  | <i>profile-id</i> — Specifies an ingress mlppp-profile ID.                                                                                                                                                                                                |
| <b>Values</b>      | 1 to 65535                                                                                                                                                                                                                                                |

## MLPPP Command Reference

### max-queue-size

|                    |                                                                                                                  |
|--------------------|------------------------------------------------------------------------------------------------------------------|
| <b>Syntax</b>      | <b>max-queue-size</b> <i>queue-size</i><br><b>no max-queue-size</b>                                              |
| <b>Context</b>     | config>qos>mlppp-profile-egress>class                                                                            |
| <b>Description</b> | This command configures the maximum queue size for each MLPPP class queue for this profile.                      |
| <b>Parameters</b>  | <i>queue-size</i> — Specifies the maximum queue size.<br><b>Values</b> 1 to 1000 in milliseconds of buffer space |

### mir

|                    |                                                                                                                              |
|--------------------|------------------------------------------------------------------------------------------------------------------------------|
| <b>Syntax</b>      | <b>mir</b> <i>mir-value</i><br><b>no mir</b>                                                                                 |
| <b>Context</b>     | config>qos>mlppp-profile-egress>class                                                                                        |
| <b>Description</b> | This command configures the minimum information rate (MIR) scheduling parameter for each MLPPP class queue for this profile. |
| <b>Parameters</b>  | <i>mir-value</i> — Specifies the MIR scheduling parameter.<br><b>Values</b> 1 to 100                                         |

### weight

|                    |                                                                                                          |
|--------------------|----------------------------------------------------------------------------------------------------------|
| <b>Syntax</b>      | <b>weight</b> <i>weight-value</i><br><b>no weight</b>                                                    |
| <b>Context</b>     | config>qos>mlppp-profile-egress>class                                                                    |
| <b>Description</b> | This command configures the WRR weight scheduling parameter for each MLPPP class queue for this profile. |
| <b>Parameters</b>  | <i>weight-value</i> — Specifies the weight scheduling parameter.<br><b>Values</b> 1 to 100               |

### fc

|                |                                                                                            |
|----------------|--------------------------------------------------------------------------------------------|
| <b>Syntax</b>  | <b>fc</b> <i>fc-name</i> <b>mlppp-class</b> <i>class-id</i><br><b>no fc</b> <i>fc-name</i> |
| <b>Context</b> | config>qos>mlppp-profile-egress>class                                                      |

**Description** This command configures the mapping of the system forwarding class to the MLPPP classes for this profile. There is a many-to-one relationship between the system forwarding class and an MLPPP class.

**Parameters** *fc-name* — Specifies the forwarding class name.

**Values** b3, l2, af, ll, h2, ef, h1, nc

*class-id* — Specifies the class ID.

**Values** 0 to 3



# Class Fair Hierarchical Policing (CFHP)

---

## In This Section

This section provides information to configure CFHP QoS policies using the command line interface.

Topics in this section include:

- [Introduction](#)
- [Parent Policer Priority and Unfair Sensitive Discard Thresholds](#)
- [CFHP Ingress and Egress Use Cases](#)
- [Post-CFHP Queuing and Scheduling](#)
- [CFHP Policer Control Policy](#)
- [CFHP Child Policer Definition and Creation](#)
- [Policer Enabled SAP QoS Policy Applicability](#)
- [Child Policer Parent Association](#)
- [Profile Capped Policers](#)
- [Policer Interaction with Initial Profile, Discard Eligibility, and Ingress Priority](#)

## Introduction

CFHP merges the benefits of non-delay rate enforcement inherent to policers with the priority and fairness sensitivity of queuing and scheduling. CFHP is implemented as a group of child policers mapped to a parent policer where the rate enforced by the parent both obeys strict priority levels and is class fair within a priority level. At the parent policer, the output of a lower priority child policer cannot prevent forwarding of packets of a higher priority child policer and when multiple child policers share the same priority level, the system maintains a Fair Information Rate (FIR) for each child that is separate from a child's PIR and CIR rates. Policers can also be used standalone. The parent is optional.

With 9.0R1, multi-service sites support policer-control-policy in the ingress and egress in addition to scheduler-policy.

## Introduction

Below are the capabilities and limitations for CFHP under a multi-service-site:

- Support for SAP only (no subscriber support)
- Assignment is for port only (not for card)
- Supported both in Ingress and Egress
- Policer Overrides are not supported under a multi-service-site.

```
*A:Dut-A>config>service>cust>multi-service-site# pwc
```

```

Present Working Context :

```

```
<root>
configure
service
customer 2
multi-service-site "mss1"

```

```
*A:Dut-A>config>service>cust>multi-service-site# info
```

```

assignment port 9/1/4
ingress
policer-control-policy "pcp"
exit
egress
policer-control-policy "pcp"
exit

```

Example of a service using mss is as below:

```
*A:Dut-A>config>service>vpls# pwc
```

```

Present Working Context :

```

```
<root>
configure
service
vpls "101"

```

```
*A:Dut-A>config>service>vpls# info
```

```

shutdown
stp
shutdown
exit
sap 9/1/4 create
multi-service-site "mss1"
egress
qos 3
exit
exit

```

Here the above mentioned sap-egress qos policy "3" will have policers parented to arbiters which are configured in the policer-control-policy "pcp" as in example above.

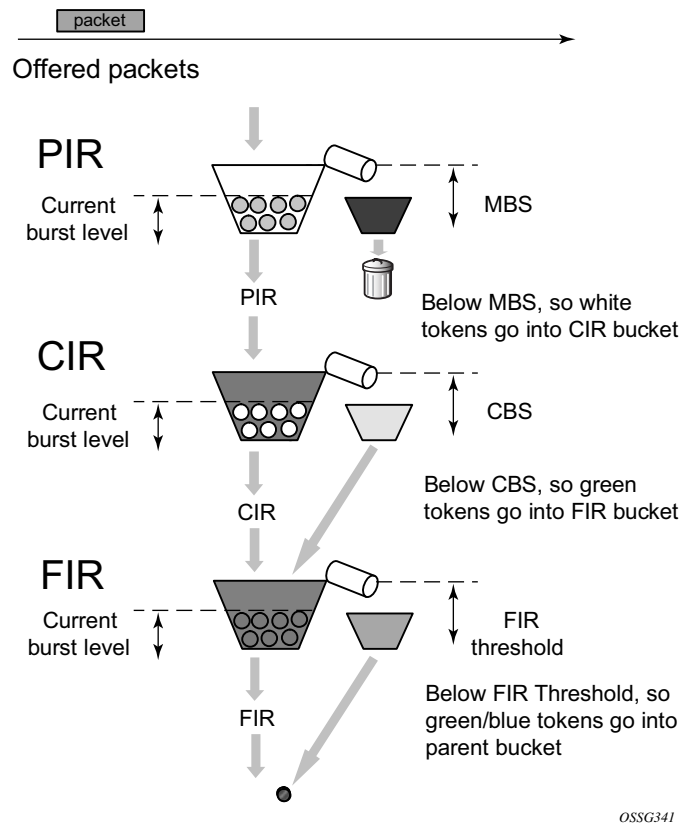
## Parent Policer Priority and Unfair Sensitive Discard Thresholds

Priority level bandwidth control is managed on the parent policer through the use of progressively higher discard thresholds for each in use priority level. Up to eight priority levels are supported and are individually enabled per parent policer instance based on child policer priority level association. When multiple child policers are associated with a parent policer priority level, two separate discard thresholds are maintained for that priority level. A lower “discard-unfair” threshold ensures that when a child policer has exceeded its FIR rate, its unfair packets are discarded first (assuming the parent policer’s bucket depth has reached the priority level’s “discard-unfair” threshold) protecting the priority level’s fair traffic from the priority level’s unfair traffic.

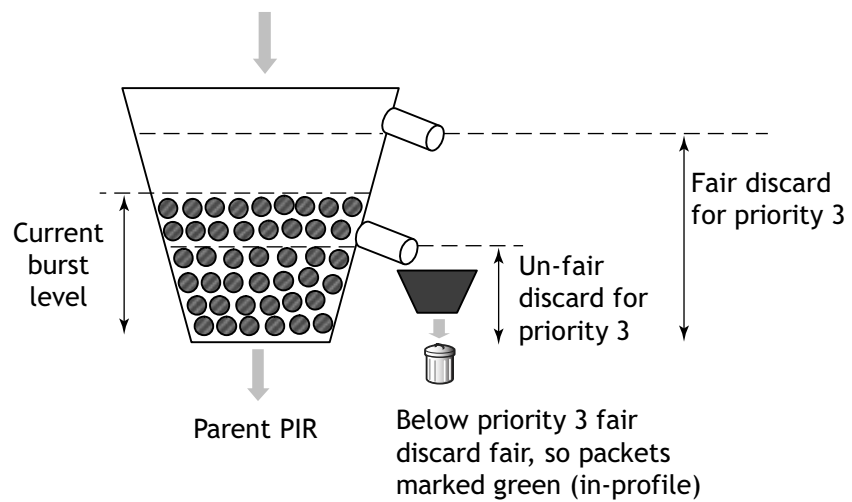
A second “discard-all” threshold is used to discard all remaining packets associated with the priority level in the case where higher priority traffic exists and the sum of both the priority level’s traffic and the higher priority traffic exceeds the parent policer rate. This protects the higher priority traffic on the parent policer from being discarded due to lower priority traffic. The child and parent policers operate in an atomic fashion, any conform effect on a child policer's bucket depth is canceled when the parent policer discards a packet. See [Figure 56](#) for a description of policer bucket rate and packet flow interaction with bucket depth. See [Figure 57](#) for a description of parent policer bucket and priority thresholds.

# Parent Policer Bucket Rate and Unfair Sensitive Discard Thresholds

**Figure 56: Policer Bucket Rate and Packet Flow Interaction with Bucket Depth**



**Figure 57: Parent Policer Bucket and Priority Thresholds**





## CFHP Ingress and Egress Use Cases

While ingress CFHP seems a natural fit based on how policers are typically used in today's networks, CFHP may also be used at egress. The reasons for utilizing egress CFHP may be to provide a non-jitter or latency inducing aggregate SLA for multiple ingress flows or simply to provide higher scale in the number of egress aggregate SLAs supported.

## Post-CFHP Queuing and Scheduling

Although CFHP enforces aggregate rate limiting while maintaining sensitivity to strict priority and fair access to bandwidth within a priority, CFHP output packets still require queuing and scheduling to provide access to the switch fabric or to an egress port.

## Ingress CFHP Queuing

At ingress, CFHP output traffic is automatically mapped to a unicast or multipoint queue in order to reach the proper switch fabric destinations. In order to manage this automatic queuing function, a shared queue policy has been created or exists by default and is named `policer-output-queues`. For modifying parameters in this shared-queue policy, refer to [Shared-Queue QoS Policy Command Reference](#).

The unicast queues in the policy are automatically created on each destination switch fabric tap and ingress CFHP unicast packets automatically map to one of the queues based on forwarding class and destination tap. The multipoint queues within the policy are created on the IOM3-XP's 16/IMM or XMA multicast paths; 16 multicast paths are supported by default with 28 on 7950 XRS systems and the 7750 SR 12-e systems, with the latter having setting "tools perform the system set-fabric-speed fabric-speed-b." The multicast paths represent an available multicast switch fabric path - the number of each being controlled using the command:

```
CLI Syntax: configure mcast-management bandwidth-policy policy-name
 t2-paths secondary-path
 number-paths number-of-paths [dual-sfm number-of-paths]
```

For ingress CFHP multicast packets (Broadcast, Unknown unicast or Multicast—referred to as BUM traffic), the system maintains a conversation hash table per forwarding class and populates the table forwarding class hash result entry with the one of the multicast paths. Best-effort traffic uses the secondary paths, and expedited traffic uses the primary paths. When a BUM packet is output by ingress CFHP, a conversation hash is performed and used along with the packets forwarding class to pick a hash table entry in order to derive the

multicast path to be used. Each table entry maintains a bandwidth counter that is used to monitor the aggregate traffic per multicast path. This can be optimized by enabling IMPM on any forwarding complex which allows the system to redistribute this traffic across the IMPM paths on all forwarding complexes to achieve a more even capacity distribution. Be aware that enabling IMPM will cause routed and VPLS (IGMP and PIM) snooped IP multicast groups to be managed by IMPM.

Any discards performed in the ingress shared queues will be reflected in the ingress child policer's discard counters and reported statistics assuming a discard counter capable stat-mode is configured for the child policer.

## Egress CFHP Queuing

When CFHP is being performed at egress, queuing of the CFHP output packets is accomplished through egress queue group queues. The system maintains a special egress queue group template (policer-output-queues) that is automatically applied to all Ethernet access ports that are up. The number of queues, queue types (expedite or best-effort), queue parameters and the default forwarding class mappings to the queues are managed by the template. On each Ethernet port, the queue parameters may be overridden.

When a SAP egress QoS policy is applied to an Ethernet SAP and the policy contains a forwarding class mapping to a CFHP child policer, the default behavior for queuing the CFHP output is to use the egress Ethernet port's policer-output-queues queue group and the forwarding class mapping within the group to choose the egress queue. Optionally, the SAP egress QoS policy may also explicitly define which egress queue to use within the default queue group or even map the policer output to a different, explicitly created queue group on the port.

Any discards performed in the egress queue group queues will be reflected in the egress child policer's discard counters and reported statistics assuming a discard counter capable stat-mode is configured for the child policer. Exceed profile traffic from the policer will be counted as out-of-profile traffic in the egress queue group queues.

## Policer to Local Queue Mapping

Egress policers can be optionally mapped to a local queue instead of a queue group queue where required.

The syntax for assigning one such egress policer mapped to local queue is as below:

```
*A:Dut-A>config>qos>sap-egress$ pwc
```

```

Present Working Context :
```

```

<root>
configure
qos
sap-egress 3 create

*A:Dut-A>config>qos>sap-egress$ info

queue 1 create
exit
queue 2 create
exit
policer 2 create
exit
fc ef create
policer 2 queue 2
exit

```

To a local queue as in "queue 2" above, both a policer and also a forwarding class can be concurrently mapped as shown below:

```

*A:Dut-A>config>qos>sap-egress$ info

queue 1 create
exit
queue 2 create
exit
policer 2 create
exit
fc af create
queue 2
exit
fc ef create
policer 2 queue 2
exit

```

A queue resource is allocated whenever there is either an fc or a policer referencing it. The local queue is freed when there are no references to it. The local queue cannot be deleted when it is being referenced. Exceed profile traffic from the policer will be counted as out-of-profile traffic in the egress local queues.

## Egress Subscriber CFHP Queuing

When a subscriber packet is mapped to a child policer through the SAP egress QoS policy. The actual egress queue group is derived from the subscriber host identification process within the subscriber management module, otherwise the default queue-group is used. This feature applies to the 7450 ESS only.

### Subscriber Destination String Queue Group Identification

When a subscriber is identified, a special destination string may optionally exist for the subscriber that is typically used to identify the subscriber's destination aggregation node. This feature applies only to the 7450 ESS and 7950 SR.

On the subscriber's egress Ethernet port, the default policer-output-queues and other explicitly created queue groups may be configured to represent a destination node by defining the same destination string on the queue group. When the subscriber's destination string is defined, the system will search the subscriber's egress port for an egress queue group with the same string defined. If found, it will use that matched queue group instead of the default queue group. If a queue-group matching the string is not found, the subscriber identification event will not fail and the subscriber host will be mapped to default policer-output-queues.

The destination node-based queuing model is designed to provide the ability to shape the aggregate subscriber output to a destination aggregation node based on a queue group created for the specific purpose. On the queue group, a scheduling-policy is applied which defines the desired virtual scheduling behavior of the queues and aggregate maximum rate of the queue group. The destination string matching function could be used to represent any arbitrary downstream bandwidth limit, not just an aggregation node. If the destination string is not present (null value), the default policer egress queue group ('policer-output-queues') on the subscriber's port will be used.

### SAP Default Destination String

In order to simplify subscriber destination string provisioning, you can use a **def-inter-dest-id** command under the sub-sla-mgmt node within a SAP which allows the definition of a default destination string for all subscribers associated with the SAP. The command also accepts the use-top-q flag that automatically derives the string based on the top most delineating Dot1Q tag from the SAP's encapsulation. This feature applies only to the 7450 ESS and 7750 SR.

The command is also supported within the msap-policy allowing similar provisioning behavior for automatically created managed SAPs.

## CFHP Policer Control Policy

Provisioning CFHP entails creating policer control policies (policer-control-policy), applying a policer control policy to the ingress or egress context of a SAP or to the ingress or egress context of a subscriber profile (sub-profile) much the same way scheduler policies (scheduler-policy) are applied.

Applying a policer control policy to a SAP creates an instance of the policy that is used to control the bandwidth associated with the child policers on the SAP. In a similar fashion, an instance of the policy is created when a subscriber profile associated with the policy is applied to a subscriber context. The subscriber policy instance is used to control the bandwidth of the child policers created by the SLA profile instances within the subscriber context.

Policer control policies can only be applied to SAPs created on Ethernet ports. When the policy instance is created, any policers created on the SAP that have an appropriate parent command defined are considered child policers.

## Policer Control Policy Root Arbiter

Similar to a scheduler context within a scheduler-policy, the policer-control-policy contains objects called an arbiter that control the amount of bandwidth that may be distributed to a set of child policers. Each policer control policy always contains a root arbiter that represents the parent policer. The max-rate defined for the arbiter specifies the decrement rate for the parent policer that governs the overall aggregate rate of every child policer associated with the policy instance. The root arbiter also contains the parent policers MBS configuration parameters that the system uses to individually configure the priority thresholds for each policer instance.

Child policers may parent directly to the root arbiter or to one of the tier 1 or tier 2 explicitly created arbiters.

Each arbiter provides bandwidth to its children using eight strict levels. Children parented at level 8 are first to receive bandwidth. The arbiter continues to distribute bandwidth until either all of its children's bandwidth requirements are met or until the bandwidth its allowed to distribute is exhausted. The root arbiter is special in that its strict priority levels directly represent the priority thresholds within the parent policer.

## **Tier 1 and Tier 2 Explicit Arbiters**

Other arbiters may be explicitly created in the policy for the purpose of creating an arbitrary bandwidth distribution hierarchy. The explicitly created arbiters must be defined within tier 1 or tier 2 on the policy. Tier 1 arbiters must always be parented by the root arbiter and thus becomes a child of the root arbiter. Any child policers directly parented by a tier 1 policer treat the root arbiter as its grandparent. Inversely, the root arbiter considers the child policers as grandchildren. All grandchild policers inherit the priority level of their parent arbiter (the level that the tier 1 arbiter attaches to the root arbiter) within the parent policer.

An arbiter created on tier 2 may be parented by either an arbiter in tier 1 or by the root arbiter. If the tier 2 arbiter is parented by the root arbiter, it is internally treated the same as a tier 1 arbiter and its child policers have a grandchild to grandparent association with the root arbiter.

When a tier 2 arbiter is parented by a tier 1 arbiter, the child policers parented by a tier 2 arbiter are in a great-grandchild to great-grandparent association with the root arbiter. A great-grandchild policer inherits its indirectly parented tier 1 arbiter's level association with the root arbiter and thus the parent policer.

A child policer's priority level on the root arbiter (directly or indirectly) defines which priority level discards thresholds will be associated with packets mapped to the child policer for use in the parent policer (assuming the packet is not discarded by its child policer).

## **Explicit Arbiter Rate Limits**

The bandwidth a tier 1 or tier 2 arbiter receives from its parent may be limited by the use of the rate command within the arbiter. When a rate limit is defined for a root arbiter, the system enforces the aggregate rate by calculating a per child policer PIR rate based on the distributed bandwidth per child. This calculated PIR is used to override the child's defined PIR and is represented as the child's operational PIR. The calculated rate will never be greater than a child policer's provisioned rate.

## **CFHP with Child Policer Exceed PIR Enabled**

A child policer parented to an arbiter can be enabled to forward traffic exceeding its PIR, in which case:

- Traffic exceeding the operational PIR of the child policer is reprofiled to be exceed profile, where the operational PIR is determined by the H-pol algorithm from the configuration of the policer parent and the associated arbiters (root and/or intermediate).
- Traffic exceeding the child policer's operational PIR does not consume capacity from the parent policer (meaning that it does not contribute to the parent policer bucket depth with respect to any of its thresholds).
- Traffic which did not exceed the child policer's operational PIR (when that child is configured with enable-exceed-pir) can exceed its parent rate (max-rate for the root arbiter) in which case the traffic is forwarded and re-profiled to be exceed profile and its affect on the child policer is revoked (meaning that it does not contribute to any of the child policer bucket (PIR, CIR, FIR) depths with respect to any of its thresholds).

## CFHP Child Policer Definition and Creation

Policers are created within the context of SAP ingress (sap-ingress) and SAP egress (sap-egress) QoS policies. Policer creation in a QoS policy is defined similar to SAP based queues. A policer is identified using a policer ID. Queues and policers have different ID spaces (both a policer and queue may be defined with ID 1).

The only create time parameter currently available is the unique policer ID within the policy. Policers do not have a scheduling mode (expedite or best-effort), they also do not need to be placed in profile-mode in order to accept traffic from profile in or profile out forwarding classes or sub classes.

All policers within a SAP ingress or egress QoS policy must be explicitly created. No policers are created by default. After a policer is created, forwarding classes or sub-classes may be mapped to the policer within the policy. For ingress, each of the individual forwarding types (unicast, multicast, broadcast and unknown) may be selectively mapped to a policer, policy created queue or to an ingress port queue group queue. At egress, forwarding classes are not divided into forwarding types, so all packets matched to the forwarding class may be mapped to either a policer, policy created queue or egress port queue group queue.

Similar to queues, a policer is not created on the SAPs where the policy is applied until at least one forwarding class is mapped to the policer. When the last forwarding class is unmapped from the policer, all the instances of the policer on the SAPs to which the policy is applied are removed.

## **Policer Enabled SAP QoS Policy Applicability**

Policers are not created on a SAP or subscriber or multi-service site context until at least one forwarding class has been mapped to the policer. Simply creating a policer within a QoS policy does not cause policers to be created on the SAPs or subscribers or multi-service sites where the policy is applied.

SAP QoS policy applicability and policy policer forwarding class mappings are dependent on policer resource availability. Attempting to map the first forwarding class to a policer causes the policer to be created on the SAPs or subscribers or multi-service site where the policy is applied. If the forwarding plane where the SAP or subscriber or multi-service site exists either doesn't support policers or has insufficient resources to create the policer for the object, the forwarding class mapping will fail.

Once a forwarding class is successfully mapped to a policer within the policy, attempting to apply the policy to a SAP or a subscriber or multi-service site where the policer cannot be created either due to lack of policer support or insufficient policer resources will fail.

Policing is supported only on Ethernet SAPs or Ethernet based subscribers. Policing is also only supported on FlexPath2 based systems or IOMs with the exception of CCAG and HSM DA SAPs or subscribers. This feature applies to the 7450 ESS and 7750 SR only.

## **Child Policer Parent Association**

Each policer configured within a SAP ingress or SAP egress QoS policy may be configured to be child policer by defining a parent arbiter association using the parent command. If the command is not executed, the policer operates as a stand-alone policer wherever the policy is applied. If the parent command is executed, but the defined arbiter name does not exist within the SAP context or a subscriber or multi-service site context, the policer is treated as an orphan. The SAP or subscriber or multi-service site context is placed into a degraded state. The system indicates the degraded state by the system setting the ingress-policer-mismatch or egress-policer-mismatch flag for the object. An orphaned policer functions in the same manner as a policer without a parent defined.

An arbiter exists on a SAP when a policer-control-policy containing the arbiter is applied to the appropriate direction (ingress or egress) of the SAP. An arbiter exists on a subscriber when a policer-control-policy containing the arbiter is applied to the subscriber's sub-profile in the appropriate direction as well (applies to the 7450 ESS and 7750 SR).



## Profile Capped Policers

Profile capped mode has been introduced to enforce an overall in-profile burst limit to the CIR bucket for ingress undefined, ingress explicit in-profile, egress soft-in-profile and egress explicit in-profile packets. The default behavior when profile-capped mode is not enabled is to ignore the CIR output state when an explicit in-profile packet is handled by an ingress or egress policer. The explicit in-profile packets will consume CIR tokens up to 2xCBS at which point the bucket stops incrementing and the CIR output for that type of packet enters the non-conforming state.

However, the non-conforming state is ignored by the forwarding plane and the packet continues to be handled as in-profile. Thus, the total amount of in-profile traffic can be greater than the configured CIR.

The profile-capped mode makes two changes:

- At egress, soft-in-profile packets (packets received from ingress as in-profile) are treated the same as explicit in-profile (unless explicitly reclassified as out-of-profile) and have an initial policer state of in-profile
- At both ingress and egress, any packet output from the policer with a non-conforming CIR state are treated as out-of-profile (out-of-profile state is ignored for initial in-profile packets when profile capped mode is not enabled)

The idea is that a profile capped policer trusts the in-profile state determined at ingress classification or egress re-classification, the initial in-profile traffic is preferentially handled with the CIR bucket (2xCBS instead of 1xCBS used by undefined or soft-out-of-profile traffic) and the total amount of in-profile traffic output by the policer cannot exceed the CIR (including initial in-profile traffic).

One other aspect to consider with profile-capped mode is the effect on stat-mode behavior. As will be seen below, each stat-mode has a fixed number of counters in the NP and Q. The mapping of packets to a counter is also fixed by the offered packet state (profile in, profile out, undefined, soft-in-profile and soft-out-of-profile) in conjunction with the output state of the policer. The egress policer stat-modes and the behavior of soft-in-profile (from ingress) and profile in (reclassified at egress) packets. In the non-capped mode, soft-in-profile is considered undefined while in capped mode it is considered to be equivalent to profile in. Another aspect that causes issues with ingress and egress stat-modes is the fact that initially green (profile in at ingress and egress as well as soft-in-profile at egress), packets can actually turn yellow in the policer output.

[Table 74](#) demonstrates how the CIR rate and initial profile of each packet affects the output of normal (non-profile-capped) and profile-capped mode policers.

## Profile Capped Policers

**Table 74: Effect of Profile-Capped Mode on CIR Output**

CIR Setting	Initial Profile State	Normal Mode	Capped Profile Mode	Notes
CIR=0	Ingress Undefined	Always Yellow	Always Yellow	CIR = 0 forces all packets to be yellow when profile-capped mode is enabled. In normal mode, all Profile In related packets are allowed to stay green.
	Ingress Profile In	Always Green	Always Yellow	
	Ingress Profile Out	Always Yellow	Always Yellow	
	Egress Soft-In-Profile	Always Green	Always Yellow	
	Egress Soft-Out-of-Profile	Always Yellow	Always Yellow	
	Egress Profile In	Always Green	Always Yellow	
	Egress Profile Out	Always Yellow	Always Yellow	
CIR=Max/PIR	Ingress Undefined	Always Green	Always Green	CIR never reaches non-conforming state.
	Ingress Profile In	Always Green	Always Green	
	Ingress Profile Out	Always Yellow	Always Yellow	
	Egress Soft-In-Profile	Always Green	Always Green	
	Egress Soft-Out-Of-Profile	Always Green	Always Green	
	Egress Profile In	Always Green	Always Green	
	Egress Profile Out	Always Yellow	Always Yellow	
0 < CIR < PIR	Ingress Undefined	Green below CBS Yellow at or above CBS	Green below CBS Yellow at or above CBS	
	Ingress Profile In	Always Green	Green below 2xCBS Yellow at or above 2xCBS	
	Ingress Profile Out	Always Yellow	Always Yellow	

Table 74: Effect of Profile-Capped Mode on CIR Output (Continued)

CIR Setting	Initial Profile State	Normal Mode	Capped Profile Mode	Notes
	Egress Soft-In-Profile	Green below CBS Yellow at or above CBS	Green below 2xCBS Yellow at or above 2xCBS	
	Egress Soft-Out-Of-Profile	Green below CBS Yellow at or above CBS	Green below CBS Yellow at or above CBS	
	Egress Profile In	Always Green	Green below 2xCBS Yellow at or above 2xCBS	
	Egress Profile Out	Always Yellow	Always Yellow	

## Policer Interaction with Initial Profile, Discard Eligibility, and Ingress Priority

Packets that are offered to an ingress policer may have three different states relative to initial profile:

- **undefined**—Either the forwarding class or sub-class associated with the packet is not explicitly configured as profile in, profile out or de-1-out-profile is enabled and the Dot1P DE bit is set to zero.
- **in-profile**—The forwarding class or sub-class associated with the packet is configured as profile in.
- **out-of-profile**—The forwarding class or sub-class associated with the packet is configured as profile out or de-1-out-profile is enabled and the Dot1P DE bit is set to 1.

Ingress policed packets are not subject to ingress queue CIR profiling within the ingress policer output queues. While the unicast and multipoint shared queues used by the system for ingress queuing of policed packets may have a CIR rate defined, this CIR rate is only used for rate based dynamic priority scheduling purposes. The state of the CIR bucket while forwarding a packet from a policer-output-queues shared queue will not alter the packets ingress in-profile or out-of-profile state derived from the ingress policer.

## Policer Interaction with Initial Profile, Discard Eligibility, and Ingress Priority

Priority high and low are used in the child policer's PIR leaky bucket to choose one of two discard thresholds (threshold-be-low and threshold-be-high) which are derived from the child policer's mbs and high-priority-only parameters. The high threshold is directly generated by the mbs value. The low threshold is generated by reducing the mbs value by the high-priority-only percentage. A packet's priority is determined while the packet is evaluated against the ingress classification rules in the sap-ingress QoS policy.

Packets that are offered to an egress policer may have four different states relative to initial profile:

- soft-in-profile—The final result at ingress was in-profile and the profile of the packet's profile has not been reclassified at egress.
- soft-out-of-profile—The final result at ingress was out-of-profile and the packet's profile has not been reclassified at egress.
- hard-in-profile—The profile of the packet has been reclassified at egress as profile in.
- hard-out-of-profile—The profile of the packet has been reclassified at egress as profile out.

When an egress policer's CIR rate is set to 0 (or not defined), the policer will have no effect on the profile of packets offered to the policer. The soft-in-profile and hard-in-profile packets will remain in-profile while the soft-out-of-profile and hard-out-of-profile packets will remain out-of-profile.

Setting a non-zero rate for the egress policer's CIR will modify this behavior for DSCP, prec, Dot1P, and DEI egress marking purposes. Both soft-in-profile and hard-in-profile retain their inherent in-profile behavior and the soft-out-of-profile and hard-out-of-profile retain their inherent out-of-profile behavior.

For egress marking decisions, the hard-in-profile and hard-out-of-profile packets ignore the egress policer's CIR state. When the packet state is hard-in-profile, the in-profile Dot1P marking will be used and when DEI marking is enabled for the packets forwarding class it will be marked 0. When the packet state is hard-out-of-profile, the out-of-profile Dot1P marking will be used and when DEI marking is enabled for the packets forwarding class it will be marked 1.

When the egress packet state is soft-in-profile and soft-out-of-profile and the policer's CIR is configured as non-zero, the current CIR state of the policer's CIR bucket will override the packets soft profile state. When the policer's CIR is currently conforming, the output will be in-profile. When the CIR state is currently exceeding, the output will be out-of-profile. If **enable-exceed-pir** is configured, when the PIR state is exceeding, the output will be exceed-profile. The Dot1P, outerDot1P, and DEI (when DE marking is configured) will reflect the CIR and PIR derived packet state. If **enable-dscp-prec-marking** is enabled, the DSCP and prec will reflect the CIR and PIR derived packet state.

## Ingress ‘Undefined’ Initial Profile

Access ingress packets have one of three initial profile states prior to processing by the policer:

- Undefined
- profile in
- profile out

The SAP ingress QoS policy classification rules map each packet to either a forwarding class or a sub-class within a forwarding class. The forwarding class or sub-class may be defined as explicit profile in or profile out (the default is no profile). When a packet’s forwarding class or sub-class is explicitly defined as profile in or profile out, the packet’s priority is ignored, and it is not handled by the ingress policer as profile ‘undefined’.

See [Table 74](#) to track the ingress behavior of initial profile and the effect of the CIR bucket on that initial state.

At egress, an ingress policer output of ‘in-profile’ is treated as ‘soft-in-profile’ and an ingress policer output of ‘out-of-profile’ is treated as ‘soft-out-of-profile’. Each may be changed by egress profile reclassification or by an egress policer with a CIR rate defined.

## Ingress Explicitly ‘In-Profile’ State Packet Handling without Profile-Capped Mode

Packets that are explicitly ‘in-profile’ remain ‘in-profile’ in the ingress forwarding plane and are not affected by the ingress policer CIR bucket state when profile-capped mode is not enabled. They do not bypass the policer’s CIR leaky bucket but are extended with a greater threshold than the CBS derived ‘threshold-bc’. This allows the ‘undefined’ packets to backfill the remaining conforming CIR bandwidth after accounting for the explicit ‘in-profile’ packets. This does not prevent the sum of the explicit ‘in-profile’ from exceeding the configured CIR rate, but it does cause the ‘undefined’ packets that are marked ‘in-profile’ to diminish to zero once the combined explicit ‘in-profile’ rate and ‘undefined’ rate causes the bucket to reach ‘threshold-bc’.

The policer’s CIR bucket will indicate that the explicit ‘in-profile’ packets should be marked ‘out-of-profile’ once the bucket reaches the greater threshold, but this indication is ignored by the ingress forwarding plane. All explicit ‘in-profile’ packets remain in-profile within the ingress forwarding plane. However, once the packet is received at egress, an ingress ‘in-profile’ packet will be treated as ‘soft-in-profile’ and the profile may be changed either by explicit profile reclassification or by an egress policer with a CIR rate defined.

## Policer Interaction with Initial Profile, Discard Eligibility, and Ingress Priority

Explicit in-profile packets do not automatically use the high priority threshold ('threshold-be-high') within the child policer's PIR bucket. If preferential burst tolerance is desired for explicit in-profile packets, the packets should also be classified as priority high.

### **Ingress Explicit 'In-Profile' State Packet Handling with Profile-Capped Mode**

When profile-capped mode is enabled, the packet handling behavior defined in [Ingress 'Undefined' Initial Profile](#) is altered in one aspect. The CIR output state of yellow at the greater threshold is actually honored and the packet will be treated as out-of-profile. The packet will be sent to egress in the 'soft-out-of-profile' state in this case.

### **Ingress Explicit 'Out-of-Profile' State Packet Handling**

Packets that are explicitly 'out-of-profile' remain 'out-of-profile' in the ingress forwarding plane. Unlike initially 'in-profile' packets, they do not consume the policer's CIR bucket depth (accomplished by setting the 'threshold-bc' to 0) and thus do not have an impact on the amount of 'undefined' marked as 'in-profile' by the policer.

While explicit 'out-of-profile' packets remain out-of-profile within the ingress forwarding plane, the egress forwarding plane treats ingress out-of-profile packets as 'soft-out-of-profile' and the profile may be changed either by explicit profile reclassification or by an egress policer with a CIR rate defined.

### **Egress Explicit Profile Reclassification**

An egress profile reclassification overrides the ingress derived profile of a packet and may set it to either 'hard-in-profile' or 'hard-out-of-profile'. A packet that has not been reclassified at egress retains its 'soft-in-profile' or 'soft-out-of-profile' status.

Egress in-profile (including 'soft-in-profile' and 'hard-in-profile') packets use the child policer's high 'threshold-be' value within the child policer's PIR bucket while 'soft-out-of-profile' and 'hard-out-of-profile' packets use the child policer's low 'threshold-be' value.

## Preserving Out of Profile State at Egress Policer

Traffic sent through an egress policer with a non zero CIR will be reprofiled by default based on the CIR threshold of the egress policer. To accommodate designs where traffic is set to be out of profile at ingress, and the out of profile state is required to be maintained by an egress policer, the parameter **profile-out-preserve** can be configured under the egress policer. Explicit egress reclassification to the profile takes precedence over the profile-out-preserve operation.

## Egress Policer CIR Packet Handling without Profile Capped Mode

When an egress policer has been configured with a CIR (max or explicit rate other than '0') and profile capped mode is not enabled, the policer's CIR bucket state will override the ingress 'soft-in-profile' or 'soft-out-of-profile' state much like the ingress policer handles initial profile 'undefined' packets. If the CIR has not been defined or been set to '0' on the egress policer, the egress policer output state will be 'in-profile' for 'soft-in-profile' packets and 'out-of-profile' for 'soft-out-of-profile' packets.

If a packet's profile has been reclassified at egress, the new profile classification is handled similar to the ingress policer handling of initial 'in-profile' or 'out-of-profile' packets. When a packet has been reclassified as 'hard-in-profile', it is applied to the egress policer's CIR bucket using a 'threshold-bc' higher than the 'threshold-bc' derived from the policer's CBS parameter, but the policer output profile state will remain 'in-profile' even if the higher threshold is crossed. When a packet has been reclassified as 'hard-out-of-profile', it does not consume the egress policer's CIR bucket depth and the policer output profile state remains 'out-of-profile'.

## Egress Policer CIR Packet Handling with Profile Capped Mode

When profile capped mode is enabled, the egress packet handling described in [Egress Policer CIR Packet Handling without Profile Capped Mode](#) is modified in three aspects.

First, the soft-in-profile received from ingress is handled in a similar fashion as egress explicit **profile in** reclassification unless the packet has been reclassified to **profile out** at egress.

Second, explicit egress **profile in** and soft-in-profile that has not been reclassified to **profile out** at egress are allowed to be marked out-of-profile by an egress policer with CIR not set to 0.

## Policer Interaction with Initial Profile, Discard Eligibility, and Ingress Priority

Third, when the policer has a CIR = 0 rate (the default rate), all profile capped packets are treated as out-of-profile independent of the initial profile state.

## Forwarding Traffic Exceeding PIR in Egress Policers

An egress policer can be configured to forward traffic which exceeds its oper PIR instead of dropping it. The traffic exceeding the PIR is assigned an exceed profile state. This is supported for any configured (not dynamic) policer in a SAP egress QoS policy, which can be used for both SAPs and subscribers, and in an egress queue group template which can be used on egress network ports.

This is configured using the **enable-exceed-pir** command and the **stat-mode offered-total-cir-exceed** provides forward and drop counters for exceed profile traffic, as shown below

```
configure
 qos
 queue-group-templates
 egress
 queue-group <queue-group-name> create
 policer <policer-id> create
 enable-exceed-pir
 stat-mode offered-total-cir-exceed
 exit
 exit
 exit
 sap-egress <policy-id> create
 policer <policer-id> create
 enable-exceed-pir
 stat-mode offered-total-cir-exceed
 exit
 exit
exit
```

The dot1p, outer dot1p, DSCP and precedence can be remarked for the exceed profile traffic.

## Ingress Child Policer Stat-Mode

A policer has multiple types of input traffic and multiple possible output states for each input traffic type. These variations differ between ingress and egress.



For ingress policing, each offered packet has a priority and a profile state. The priority is used by the policer to choose either the high or low priority PIR threshold-be. Every offered packet is either priority high or priority low. The offered profile state defines how a packet will interact with the policers CIR bucket state. The combinations of priority and initial profile are as follows:

- Offered priority low, undefined profile
- Offered priority low, explicit profile in
- Offered priority low, explicit profile out
- Offered priority high, undefined profile
- Offered priority high, explicit profile in
- Offered priority high, explicit profile out



**Note:** When de1out is enabled, DEI = 0 is considered as undefined profile and DEI = 1 is considered the same as profile out

The possible output results for the ingress policer are:

- Output green (in-profile)
- Output yellow (out-of-profile)
- Output red (discard)

In order to conserve counter resources, the system supports a policer stat-mode command that is used to identify what counters are actually needed for the policer. Not every policer will have a CIR defined, so the output green/yellow states will not exist. Also, not every policer will have both high and low priority or explicit in-profile or out-of-profile offered traffic types. Essentially, the stat-mode command allows the counter resources to be allocated based on the accounting needs of the individual policers.

Setting the **stat-mode** does not modify the packet handling behavior of the policer. For example, if the configured stat-mode does not support in-profile and out-of-profile output accounting, the policer is not blocked from having a configured CIR rate. The CIR rate will be enforced, but the amount of in-profile and out-of-profile traffic output from the policer will not be counted separately (or maybe not at all based on the configured stat-mode).

A policer is created with minimal counters sufficient to provide total offered and total discarded (the total forwarded is computed as the sum of the offered and discarded counters). The **stat-mode** is defined within the **sap-ingress** or **sap-egress** QoS policy in the policer context. When defining the **stat-mode**, the counter resources needed to implement the mode must be available on all forwarding planes where the policer has been created using the QoS policy unless the policer instance has a stat-mode override defined. You can see the resources used and available by using the **tools dump resource-usage card fp** command. If insufficient

## Policer Interaction with Initial Profile, Discard Eligibility, and Ingress Priority

resources exist, the change in the mode will fail without any change to the existing counters currently applied to the existing policers. If the QoS policy is being applied to a SAP or subscriber or multi-service site context and insufficient counter resources exist to implement the configured modes for the policers within the policy, the QoS policy will not be applied. For SAPs, this means the previous QoS policy will stay in effect. For subscribers, it could mean that the subscriber host event where the QoS policy is being applied will fail and the subscriber host may be blocked or removed.

A stat-mode with at least minimal stats is required before the policer can be assigned to a parent arbiter using the parent command.

Successfully changing the stat-mode for a policer causes the counters associated with the policer to reset to zero. Any collected stats on the object the policer is created on will also reset to zero.

The system uses the forwarding plane counters to generate accounting statistics and for calculating the operational PIR and FIR rates for a set of children when they are managed by a policer-control-policy. Only the offered counters are used in hierarchical policing rate management. When multiple offered stats are maintained for a child policer, they are summed to derive the total offered rate for each child policer.

All ingress policers have a default CIR value of 0 meaning that by default, all packets except packets classified as profile in will be output by the policer as out-of-profile. This may have a negative impact on egress marking decisions (if in-profile and out-of-profile have different marking values) and on queue congestion handling (WRED or queue tail drop decisions when out-of-profile is less preferred). The following options exist to address this potential issue:

- If all packets handled by the policer must be output as in-profile by the policer, either the packet's forwarding class or sub-class can be defined as profile in or the CIR on the policer can be defined as max
- If some packets must be output as in-profile while others output as out-of-profile, three options exist
  - The CIR may be left at '0' while mapping the packets that must be output as in-profile to a forwarding class or sub-class provisioned as profile in
  - The CIR may be set to max while mapping the packets that must be output as out-of-profile to a forwarding class or sub-class provisioned as profile out
  - Ignore the CIR on the policer and solely rely on the forwarding class or sub-class profile provisioning to the proper policer CIR output

Egress policers also have a default CIR set to 0, but in the egress case a value of 0 disables policer profiling altogether. Egress packets on a CIR disabled egress policer retain their offered profile state (soft-in-profile, soft-out-of-profile, hard-in-profile or hard-out-of-profile).

Make sure to use the correct stat-mode if the policer's CIR is explicitly not set or is set to 0. The **no-cir** version of the stat-mode must be used and when the CIR has a non-zero value. Also when overriding the policer's cir mode, make sure you override the stat-mode instance (cir override can be performed using snmp access).

Ingress supported stat-modes are:

- no-stats
- minimal - default
- offered-profile-no-cir
- offered-priority-no-cir
- offered-limited-profile-cir
- offered-profile-cir
- offered-priority-cir
- offered-total-cir
- offered-profile-capped-cir
- offered-limited-capped-cir

## Egress Child Policer Stat-Mode

Egress policers have fewer stat-mode options due to the fact that they do not deal with offered packets with an undefined profile state. All packets received on the egress forwarding plane have been profiled as either in-profile or out-of-profile. The egress forwarding plane treats the ingress derived profile as a soft state that may be either overridden by an egress profile reclassification or by a CIR rate enforced by an egress policer.

For egress, the possible types of offered packets include:

- Soft offered in-profile (from ingress)
- Soft offered out-of-profile (from ingress)
- Egress explicit in-profile (reclassified at egress)
- Egress explicit out-of-profile (reclassified at egress)

Similar to ingress, the possible output results are:

- Output green (in-profile)
- Output yellow (out-of-profile)
- Output red (discard or exceed-profile)

The stat-mode command follows the same counter resource rules as ingress.

## Profile Preferred Mode Root Policers

Egress supported stat-modes are:

- no-stats
- minimal - default
- offered-profile-no-cir
- offered-profile-cir
- offered-total-cir
- offered-limited-capped-cir
- offered-profile-capped-cir
- offered-total-cir-exceed

Details of the output showing the stat-modes for ingress and egress child policers can be found in the Class Fair Hierarchical Policing for SAPs section of the SR OS Advanced Configuration Guide.

## Profile Preferred Mode Root Policers

The profile-preferred option ensures that the root policer provides a preference to consume its PIR bucket tokens at a given priority level to packets which have their profile state been set to in-profile by the output of the child policer CIR bucket.

When this option is selected, all child policers parented to a root policer will have their FIR bucket track the state of the CIR bucket. In other words, a green packet will always be blue and a yellow packet will always be orange. When admitting packets from the child policers within a given priority level, orange packets will be allowed up to the "discard-unfair" threshold while blue packets will be allowed up to the "discard-all" threshold. The operation is unchanged if a child policer is configured to forward traffic exceeding its PIR, specifically, the exceed profile traffic is treated in the same way as yellow/orange (out of profile) packets.

HPOL will no longer set the FIR bucket of the child policer based on fair share calculation. Instead, the 'profile-preferred' option forces the FIR bucket to track the CIR bucket's decrement rate and the threshold chosen for the CIR bucket would also be used in the FIR bucket (instead of using the threshold associated with the PIR bucket).

The green/yellow output from the policer would be used for packet marking decisions. The blue/orange child policer input to the parent policer would chose the discard-orange or discard-all thresholds for the child policer's priority level within the parent policer.

The net result is that explicit in-profile packets stay blue up to the high CBS threshold, undefined profile packets would stay blue up to the low CBS threshold (1x CBS) and explicit out-of-profile packets would always be orange due to a 0 CBS threshold. Orange packets would be discarded by the parent policer within the child policer's priority level before the blue packets, preferring blue packets over orange once the discard-orange threshold is crossed.

The following is the CLI for the new option. The same option applies to overrides applied to the instances of a policer control policy under a SAP or subscriber or multi-service site context.

```
config qos
 policer-control-policy policy-name [create]
 no policer-control-policy policy-name
 description "description-string"
 no description
 root
 max-rate {kilobits-per-second | max}
 no max-rate
 [no] profile-preferred
 priority-mbs-thresholds
 min-thresh-separation size [bytes | kilobytes]
 no min-thresh-separation
 priority level
 mbs-contribution size [bytes | kilobytes] [fixed]
 no mbs-contribution
```

The profile-preferred option provides us a way to configure a specific FIR (since it uses the CIR as FIR). In the direct-parented case (no intermediate arbiters present at all) the child policers do not need to have their offered rate polled as each policer will always have PIR equal to the min (child PIR, root PIR) and the FIR and CIR are fixed and equal. The child parenting weights are thus not used. This impacts the show commands, for example offered rate information will not be available. The output of some show commands (**show qos policer-hierarchy ... detail**) should be adjusted for profile-preferred configurations.

If an intermediate arbiter is present, then polling is offered at different rates since the child policer PIRs will be set based on this information so as to share the intermediate arbiter PIR in proportional to their parenting weight to the intermediate arbiter.

Profile Preferred Mode Root Policers

# Class Fair Hierarchical Policing (CFHP) Policy Command Reference

## Command Hierarchies

### Class Fair Hierarchical Policing Commands

```

config
 — qos
 — policer-control-policy policy-name [create]
 — no policer-control-policy
 — description description string
 — no description
 — root
 — max-rate {kilobits-per-second | max}
 — no max-rate
 — [no] profile-perferred
 — priority-mbs-thresholds
 — [no] min-thresh-separation
 — priority level
 — [no] mbs-contribution
 — tier {1 | 2}
 — arbiter arbiter-name [create]
 — no arbiter arbiter-name
 — description description-string
 — no description
 — rate {kilobits-per-second | max}
 — no rate
 — parent {root |arbiter-name} [level priority-level] [weight weight-within-level]
 — no parent

```

## Command Descriptions

### Configuration Commands

#### Generic Commands

##### policer-control-policy

<b>Syntax</b>	<b>policer-control-policy</b> <i>policy-name</i> [ <b>create</b> ] <b>no policer-control-policy</b>
<b>Context</b>	config>qos
<b>Description</b>	This command is used to create, delete, or modify policer control policies. The <b>policer-control-policy</b> controls the aggregate bandwidth available to a set of child policers. Once created, the policy can be applied to ingress or egress SAPs. The policy can also be applied to the ingress or egress context of a sub-profile.
<b>Default</b>	<b>no policer-control-policy</b>
<b>Parameters</b>	<i>policy-name</i> — Each policer-control-policy must be created with a unique policy name. The name must given as <i>policy-name</i> must adhere to the system policy ASCII naming requirements. If the defined policy-name already exists, the system will enter that policy's context for editing purposes. If policy-name does not exist, the system will attempt to create a policy with the specified name. Creating a policy may require use of the create parameter when the system is configured for explicit object creation mode. <b>Default</b> None <b>create</b> — The <b>create</b> keyword is required when a new policy is being created and the system is configured for explicit object creation mode.

##### description

<b>Syntax</b>	<b>description</b> <i>description string</i> <b>no description</b>
<b>Context</b>	config>qos>policer-control-policy
<b>Description</b>	The <b>description</b> command is used to define an informational ASCII string associated with the policer control policy. The string value can be defined or changed at any time once the policy exists. The <b>no</b> form of this command is used to remove an explicit description string from the policer.



**Default** no description

**Parameters** *description string* — The description-string parameter defines the ASCII description string for the policer control policy. The description string can be up to 80 characters. If the string contains spaces, it must be placed within beginning and ending double quotation marks. Beginning and ending quotation marks are not considered part of the description string. Only printable ASCII characters are allowed in the string. The sting does not need to be unique and may be repeated in the descriptions for other policer control policies or other objects. If the command is executed without the description-string present, any existing description string will be unaffected.

**Default** None

## root

**Syntax** root

**Context** config>qos>policer-control-policy

**Description** The **root** node contains the policer control policies configuration parameters for the root arbiter. Within the node, the parent policer's maximum rate limit can be set and the strict priority level shared and fair threshold portions may be defined per priority level.

The root node always exists and does not need to be created.

**Default** None.

## max-rate

**Syntax** **max-rate** {*kilobits-per-second* | **max**}  
**no max-rate**

**Context** config>qos>policer-control-policy>root

**Description** The **max-rate** command defines the parent policer's PIR leaky bucket's decrement rate. A parent policer is created for each time the policer-control-policy is applied to either a SAP, or subscriber instance for the 7450 ESS and 7750 SR, or multi-service site instance for the 7950 XRS. Packets that are not discarded by the child policers associated with the SAP or subscriber or multi-service site instances are evaluated against the parent policer's PIR leaky bucket.

## Class Fair Hierarchical Policing (CFHP) Policy Command Reference

For each packet, the bucket is first decremented by the correct amount based on the decrement rate to derive the current bucket depth. The current depth is then compared to one of two discard thresholds associated with the packet. The first discard threshold (discard-unfair) is applied if the FIR (Fair Information Rate) leaky bucket in the packet's child policer is in the confirming state. The second discard threshold (discard-all) is applied if the child policer's FIR leaky bucket is in the exceed state. Only one of the two thresholds is applied per packet. If the current depth of the parent policer PIR bucket is less than the threshold value, the parent PIR bucket is in the conform state for that particular packet. If the depth is equal to or greater than the applied threshold, the bucket is in the violate state for the packet.

If the result is "conform," the bucket depth is increased by the size of the packet (plus or minus the per-packet-offset setting in the child policer) and the packet is not discarded by the parent policer. If the result is "violate," the bucket depth is not increased and the packet is discarded by the parent policer. When the parent policer discards a packet, any bucket depth increases (PIR, CIR and FIR) in the parent policer caused by the packet are canceled. This prevents packets that are discarded by the parent policer from consuming the child policers PIR, CIR and FIR bandwidth.

The **policer-control-policy root max-rate** setting may be overridden on each SAP or sub-profile where the policy is applied.

<b>Default</b>	<b>max</b>
<b>Parameters</b>	<i>kilobits-per-second</i> — Defining a kilobits-per-second value is mutually exclusive with the max parameter. The kilobits-per-second value must be defined as an integer that represents the number of kilobytes that the parent policer will be decremented per second. The actual decrement is performed per packet based on the time that has elapsed since the last packet associated with the parent policer.
	<b>Values</b> <b>max</b> or 1 to 2000000000
	<i>max</i> — The <b>max</b> parameter is mutually exclusive with defining a <b>kilobits-per-second</b> value. When max is specified, the parent policer does not enforce a maximum rate on the aggregate throughput of the child policers. This is the default setting when the <b>policer-control-policy</b> is first created and is the value that the parent policer returns to when no max-rate is executed. In order for the parent policer to be effective, a kilobits-per-second value should be specified.
	<i>no max-rate</i> — The <b>no max-rate</b> command returns the policer-control-policy's parent policer maximum rate to max.

### profile-preferred

<b>Syntax</b>	<b>profile-preferred</b> <b>no profile-preferred</b>
<b>Context</b>	config>qos>policer-control-policy>root
<b>Description</b>	The profile-preferred option ensures that the root policer provides a preference to consume its PIR bucket tokens at a given priority level to packets that have their profile state set to in-profile by the output of the child policer CIR bucket.
<b>Default</b>	no profile-preferred

## priority-mbs-thresholds

<b>Syntax</b>	<b>priority-mbs-thresholds</b>
<b>Context</b>	config>qos>policer-control-policy>root
<b>Description</b>	<p>The <b>priority-mbs-thresholds</b> command contains the root arbiter parent policer's <b>min-thresh-separation</b> command and each priority level's <b>mbs-contribution</b> command that is used to internally derive each priority level's shared-portion and fair-portion values. The system uses each priority level's shared-portion and fair-portion value to calculate each priority level's discard-unfair and discard-all MBS thresholds that enforce priority sensitive rate-based discards within the root arbiter's parent policer.</p> <p>The <b>priority-mbs-thresholds</b> CLI node always exists and does not need to be created.</p>
<b>Default</b>	None.

## min-thresh-separation

<b>Syntax</b>	<b>min-thresh-separation</b> <i>size</i> [bytes   kilobytes] <b>no min-thresh-separation</b>
<b>Context</b>	config>qos>policer-control-policy>root>priority-mbs-thresholds
<b>Description</b>	<p>The <b>min-thresh-separation</b> command defines the minimum required separation between each in-use discard threshold maintained for each parent policer context associated with the policer-control-policy. The min-thresh-separation value may be overridden on each SAP or sub-profile to which the policy is applied.</p> <p>The system uses the default or specified min-thresh-separation value in order to determine the minimum separation required between each of the of the parent policer discard thresholds. The system enforces the minimum separation based on the following behavior in two ways. The first is determining the size of the shared-portion for each priority level (when the <b>mbs-contribution</b> command's optional fixed keyword is not specified):</p> <ul style="list-style-type: none"> <li>• When a parent policer instance's priority level has less than two child policers associated, the shared-portion for the level will be zero.</li> <li>• When a parent policer instance's priority level has two or more child policers associated, the shared-portion for the level will be equal to the current value of <b>min-thresh-separation</b>.</li> </ul> <p>The second function the system uses the <b>min-thresh-separation</b> value for is determining the value per priority level for the fair-portion:</p> <ul style="list-style-type: none"> <li>• When a parent policer instance's priority level has no child policers associated, the fair-portion for the level will be zero.</li> <li>• When a parent policer instance's priority level has one child policer associated, the fair-portion will be equal to the maximum of the min-thresh-separation value and the priority level's mbs-contribution value.</li> </ul>

## Class Fair Hierarchical Policing (CFHP) Policy Command Reference

- When a parent policer instance's priority level has two or more child policers associated, the fair-portion will be equal to the maximum of the following:
  - **min-thresh-separation** value
  - The priority level's **mbs-contribution** value less **min-thresh-separation** value

When the **mbs-contribution** command's optional fixed keyword is defined for a priority level within the policy, the system will treat the defined **mbs-contribution** value as an explicit definition of the priority level's MBS. While the system will continue to track child policer associations with the parent policer priority levels, the association counters will have no effect. Instead the following rules will be used to determine a fixed priority level's shared-portion and fair-portion:

- If a fixed priority level's **mbs-contribution** value is set to zero, both the shared-portion and fair-portion will be set to zero
- If the **mbs-contribution** value is not set to zero:
  - The shared-portion will be set to the current **min-thresh-separation** value
  - The fair-portion will be set to the maximum of the following:

**min-thresh-separation** value

**mbs-contribution** value less **min-thresh-separation** value

Each time the **min-thresh-separation** value is modified, the thresholds for all instances of the parent policer created through association with this **policer-control-policy** are reevaluated

### Determining the Correct Value for the Minimum Threshold Separation Value

The minimum value for **min-thresh-separation** should be set equal to the maximum size packet that will be handled by the parent policer. This ensures that when a lower priority packet is incrementing the bucket, the size of the increment will not cause the bucket's depth to equal or exceed a higher priority threshold. It also ensures that an unfair packet within a priority level cannot cause the PIR bucket to increment to the discard-all threshold within the priority.

When evaluating maximum packet size, each child policer's per-packet-offset setting should be taken into consideration. If the maximum size packet is 1518 bytes and a per-packet-offset parameter is configured to add 20 bytes per packet, **min-thresh-separation** should be set to 1538 due to the fact that the parent policer will increment its PIR bucket using the extra 20 bytes.

In most circumstances, a value larger than the maximum packet size is not necessary. Management of priority level aggregate burst tolerance is intended to be implemented using the priority level **mbs-contribution** command. Setting a value larger than the maximum packet size will not adversely affect the policer performance, but it may increase the aggregate burst tolerance for each priority level.



**Note:** A priority level's shared-portion of the parent policer's PIR bucket depth is only necessary to provide some separation between a lower priority's discard-all threshold and this priority's discard-unfair threshold. It is expected that the burst tolerance for the unfair packets is relatively minimal since the child policers feeding the parent policer priority level all have some amount of fair burst before entering into an FIR exceed or unfair state. The fair burst amount for a priority level is defined using the `mbs-contribution` command.

The `no` form of this command returns the policy's `min-thresh-separation` value to the default value.

<b>Default</b>	<code>no min-thresh-separation</code>
<b>Parameters</b>	<p><code>size [bytes   kilobytes]</code> — The <code>size</code> parameter is required when executing the <code>min-thresh-separation</code> command. It is expressed as an integer and specifies the shared portion in bytes or kilobytes that is selected by the trailing <code>bytes</code> or <code>kilobytes</code> keywords. If both <code>bytes</code> and <code>kilobytes</code> are missing, <code>kilobytes</code> is the assumed value. Setting this value has no effect on parent policer instances where the <code>min-thresh-separation</code> value has been overridden.</p> <p><b>Values</b>      0 to 4194304 or <b>default</b> (applies to the 7450 ESS)                         0 to 16777216 or <b>default</b> (applies to the 7750 SR or 7950 XRS)</p> <p><b>Default</b>      1536</p> <p><code>[bytes   kilobytes]</code> — The <code>bytes</code> keyword is optional and is mutually exclusive with the <code>kilobytes</code> keyword. When specified, <code>size</code> is interpreted as specifying the size of <code>min-thresh-separation</code> in bytes.</p> <p>The <code>kilobytes</code> keyword is optional and is mutually exclusive with the <code>bytes</code> keyword. When specified, <code>size</code> is interpreted as specifying the size of <code>min-thresh-separation</code> in kilobytes.</p> <p><b>Values</b>      <code>bytes</code> or <code>kilobytes</code></p> <p><b>Default</b>      <code>kilobytes</code></p>

## priority

<b>Syntax</b>	<code>priority level</code>
<b>Context</b>	<code>config&gt;qos&gt;policer-control-policy&gt;root&gt;priority-mbs-thresholds</code>
<b>Description</b>	<p>The <code>priority</code> level command contains the <code>mbs-contribution</code> configuration command for a given strict priority level. Eight levels are supported numbered 1 through 8 with 8 being the highest strict priority.</p> <p>Each of the eight priority CLI nodes always exists and do not need to be created. While parameters exist for each priority level, the parameters are only applied when the priority level within a parent policer instance is currently supporting child policers.</p>
<b>Default</b>	None.

### mbs-contribution

<b>Syntax</b>	<b>mbs-contribution</b> <i>size</i> [bytes   kilobytes] [fixed] <b>no mbs-contribution</b>
<b>Context</b>	config>qos>policer-control-policy>root>priority-mbs-thresholds>priority
<b>Description</b>	The <b>mbs-contribution</b> command is used to configure the policy-based burst tolerance for a parent policer instance created when the policy is applied to a SAP, or a subscriber context for the 7450 ESS and 7750 SR, or a 7950 XRS multi-service site. The system uses the parent policer's <b>min-thresh-separation</b> value, the priority level's <b>mbs-contribution</b> value and the number of child policers currently attached to the priority level to derive the priority level's shared-portion and fair-portion of burst tolerance within the local priority level. The shared-portion and fair-portions for each priority level are then used by the system to calculate each priority level's discard-unfair threshold and discard-all threshold. The mbs-contribution is the minimum separation between two adjacent active discard-all thresholds.

The value for a priority level's **mbs-contribution** within the policer-control-policy may be overridden on the SAP, or subscriber sub-profile (applies to the 7450 ESS and 7750 SR) or multi-service site (for 7950 XRS) where the policy is applied in order to allow fine tuning of the discard-unfair and discard-all thresholds relevant to the needs of the local child policers on the object.

#### **Accumulative Nature of Burst Tolerance for a Parent Policer Priority Level**

When defining **mbs-contribution**, the specified size may only be a portion of the burst tolerance associated with the priority level. The packets associated with the priority level share the burst tolerance of lower within the parent policer. As the parent policer PIR bucket depth increases during congestion, the lower priority packets eventually experience discard based on each priority's discard-unfair and discard-all thresholds. Assuming congestion continues once all the lower priority packets have been prevented from consuming bucket depth, the burst tolerance for the priority level will be consumed by its own packets and any packets associated with higher priorities.

#### **The Effect of Fair and Unfair Child Policer Traffic at a Parent Policer Priority Level**

The system continually monitors the offered rate of each child policer on each parent policer priority level and detects when the policer is in a congested state (the aggregate offered load is greater than the decrement rate defined on the parent policer). As previously stated, the result of congestion is that the parent policer's bucket depth will increase until it eventually hovers around either a discard-unfair or discard-all threshold belonging to one of the priority levels. This threshold is the point where enough packets are being discarded that the increment rate and decrement rate begin to even out. If only a single child policer is associated to the priority level, the discard-unfair threshold is not used since fairness is only applicable when multiple child policers are competing at the same priority level.

When multiple child policers are sharing the congested priority level, the system uses the offered rates and the parenting parameters of each child to determine the fair rate per child when the parent policer is unable to meet the bandwidth needs of each child. The fair rate represents the amount of bandwidth that each child at the priority level should receive relative to the other children at the same level according to the policer control policy instance managing the child policers. This fair rate is applied as the decrement rate for each child's FIR bucket. Changing a child's FIR rate does not modify the amount of packets forwarded by the parent policer for the child's priority level. It simply modifies the forwarded ratio between the children on that priority level. Since each child FIR bucket has some level

## Class Fair Hierarchical Policing (CFHP)

of burst tolerance before marking its packets as unfair, the current parent policer bucket depth may at times rise above the discard-unfair threshold. The mbs-contribution value provides a means to define how much separation is provided between the priority level's discard-unfair and discard-all threshold to allow the parent policer to absorb some amount of FIR burst before reaching the priority's discard-all threshold.

This level of fair aggregate burst tolerance is based on the decrement rate of the parent policer's PIR bucket while the individual fair bursts making up the aggregate are based on each child's FIR decrement rate. The aggregate fair rate of the priority level is managed by the system with consideration of the current rate of traffic in higher priority levels. In essence, the system ensures that for each iteration of the child FIR rate calculation, the sum of the child FIR decrement rates plus the sum of the higher priority traffic increment rates equals the parent policers decrement rate. This means that dynamic amounts of higher priority traffic can be ignored when sizing a lower priority's fair aggregate burst tolerance. Consider the following:

- The parent policer decrement rate is set to 20 Mbps (max-rate 20,000).
- A priority level's fair burst size is set to 30 Kbytes (mbs-contribution 30 kilobytes).
- Higher priority traffic is currently taking 12 Mbps.
- The priority level has three child policers attached.
- Each child's PIR MBS is set to 10 Kbytes, which makes each child's FIR MBS 10 Kbytes.
- The children want 10 Mbps, but only 8 Mbps is available,
- Based on weights, the children's FIR rates are set as follows:

	<b>FIR Rate</b>	<b>FIR MBS</b>
Child 1	4 Mbps	10 Kbytes
Child 2	3 Mbps	10 Kbytes
Child 3	1 Mbps	10 Kbytes

The 12 Mbps of the higher priority traffic and the 8 Mbps of fair traffic equal the 20 Mbps decrement rate of the parent policer.

It is clear that the higher priority traffic is consuming 12 Mbps of the parent policer's decrement rate, leaving 8 Mbps of decrement rate for the lower priority's fair traffic.

- The burst tolerance of child 1 is based on 10 Kbytes above 4 Mbps,
- The burst tolerance of child 2 is based on 10 Kbytes above 3 Mbps,
- The burst tolerance of child 3 is based on 10 Kbytes above 1 Mbps.

If all three children burst simultaneously (unlikely), they will consume 30 Kbytes above 8 Mbps. This is the same as the remaining decrement rate after the higher priority traffic.

### **Parent Policer Total Burst Tolerance and Downstream Buffering**

## Class Fair Hierarchical Policing (CFHP) Policy Command Reference

The highest in-use priority level's discard-all threshold is the total burst tolerance of the parent policer. In some cases the parent policer represents downstream bandwidth capacity and the max-rate of the parent policer is set to prevent overrunning the downstream bandwidth. The burst tolerance of the parent policer defines how much more traffic may be sent beyond the downstream scheduling capacity. In the worst case scenario, when the downstream buffering is insufficient to handle the total possible burst from the parent policer, downstream discards based on lack of buffering may occur. However, in all likelihood, this is not the case.

In most cases, lower priority traffic in the policer will be responsible for the greater part of congestion above the parent policer rate. Since this traffic is discarded with a lower threshold, this lowers the effective burst tolerance even while the highest priority traffic is present.

### Configuring a Priority Level's MBS Contribution Value

In the most conservative case, a priority level's **mbs-contribution** value may be set to be greater than the sum of child policer's mbs and one max-size-frame per child policer. This ensures that even in the absolute worst case where all the lower priority levels are simultaneously bursting to the maximum capacity of each child, enough burst tolerance for the priority's children will exist if they also burst to their maximum capacity.

Since simply adding up all the child policer's PIR MBS values may result in large overall burst tolerances that are not ever likely to be needed, you should consider some level of burst oversubscription when configuring the **mbs-contribution** value for each priority level. The amount of oversubscription should be determined based on the needs of each priority level.

### Using the Fixed Keyword to Create Deterministic Parent Policer Discard Thresholds

In the default behavior, the system ignores the **mbs-contribution** values for a priority level on a subscriber for 7450 ESS and 7750 SR, or a multi-service site for 7950 XRS, or SAP parent policer when a child policer is not currently associated with the level. This prevents additional burst tolerance from being added to higher priority traffic within the parent policer.

This does cause fluctuations in the defined threshold values when child policers are added or removed from a parent policer instance. If this behavior is undesirable, the fixed keyword may be used which causes the **mbs-contribution** value to always be included in the calculation of parent policer's discard thresholds. The defined **mbs-contribution** value may be overridden on a subscriber sla-profile for the 7450 ESS and 7750 SR, or on a multi-service site for the 7950 XRS, or on a SAP instance, but the fixed nature of the contribution cannot be overridden.

If the defined **mbs-contribution** value for the priority level is zero, the priority level will have no effect on the parent policer's defined discard thresholds. A packet associated with the priority level will use the next lower priority level's discard-unfair and discard-all thresholds.

#### **Default**    **no mbs-contribution**

The **no mbs-contribution** command returns the policy's priority level's MBS contribution to the default value. When changed, the thresholds for the priority level and all higher priority levels for all instances of the parent policer will be recalculated.



<b>Parameters</b>	<p><i>size</i> [<b>bytes</b>   <b>kilobytes</b>] — The size parameter is required when executing the <b>mbs-contribution</b> command. It is expressed as an integer and specifies the priority's specific portion amount of accumulative MBS for the priority level in bytes or kilobytes which is selected by the trailing <b>bytes</b> or <b>kilobytes</b> keywords. If both <b>bytes</b> and <b>kilobytes</b> are missing, <b>kilobytes</b> is assumed. Setting this value has no effect on parent policer instances where the priority level's <b>mbs-contribution</b> value has been overridden.</p> <p><b>Values</b>     0 to 4194304 or <b>default</b> (applies to the 7450 ESS) 0 to 16777216 or <b>default</b> (applies to the 7750 SR and 7950 XRS)</p> <p><b>Default</b>     8 kilobytes</p> <p><b>bytes</b>   <b>kilobytes</b>: — The <b>bytes</b> keyword is optional and is mutually exclusive with the <b>kilobytes</b> keyword. When specified, size is interpreted as specifying the size of <b>min-thresh-separation</b> in bytes.</p> <p>The <b>kilobytes</b> keyword is optional and is mutually exclusive with the <b>bytes</b> keyword. When specified, size is interpreted as specifying the size of min-thresh-separation in kilobytes.</p> <p><b>Default</b>     <b>kilobytes</b></p> <p><b>fixed</b> — The optional fixed keyword is used to force the inclusion of the defined <b>mbs-contribution</b> value in the parent policer's discard threshold calculations. If the <b>mbs-contribution</b> command is executed without the <b>fixed</b> keyword, the fixed calculation behavior for the priority level is removed.</p>
-------------------	----------------------------------------------------------------------------------------------------------------------------------------------------------------------------------------------------------------------------------------------------------------------------------------------------------------------------------------------------------------------------------------------------------------------------------------------------------------------------------------------------------------------------------------------------------------------------------------------------------------------------------------------------------------------------------------------------------------------------------------------------------------------------------------------------------------------------------------------------------------------------------------------------------------------------------------------------------------------------------------------------------------------------------------------------------------------------------------------------------------------------------------------------------------------------------------------------------------------------------------------------------------------------------------------------------------------------------------------------------------------------------------------------------------------------------------------------------------------------------------------------------------------------------------------------------------------------------------------------------------------------------------------------------------

## tier

<b>Syntax</b>	<b>tier</b> {1   2}
<b>Context</b>	config>qos>policer-control-policy
<b>Description</b>	This command is used to create, configure, and delete tiered arbiters. Two tiers are supported that always exist specified as tier 1 and tier 2. Tiered arbiters enable you to create a bandwidth control hierarchy for managing child policers in an arbitrary fashion. Each arbiter enables you to parent child policers within eight strict levels of priority and a maximum aggregate rate may be defined for the children that the arbiter will enforce. Arbiters created on tier 1 are automatically parented to the root arbiter which is always present. Arbiters created on tier 2 default to the root arbiter as parent, but can also be explicitly parented to a tier 2 arbiter. Child policers associated with an instance of the <b>policer-control-policy</b> can be parented to any tiered arbiter or to the root arbiter.
<b>Default</b>	None.

## arbiter

<b>Syntax</b>	<b>arbiter</b> <i>arbiter-name</i> [ <b>create</b> ] <b>no arbiter</b> <i>arbiter-name</i>
<b>Context</b>	config>qos>policer-control-policy>tier

## Class Fair Hierarchical Policing (CFHP) Policy Command Reference

**Description** This command is used to create an arbiter within the context of **tier 1** or **tier 2**. An arbiter is a child policer bandwidth control object that manages the throughput of a set of child policers. An arbiter allows child policers or other arbiters to parent to one of eight strict levels. Each arbiter is itself parented to either another tiered arbiter or to the **root** arbiter.

The root arbiter starts with its defined maximum rate and distributes the bandwidth to its directly attached child policers and arbiters beginning with priority 8. As the children at each priority level are distributed bandwidth according to their needs and limits, the root proceeds to the next lower priority until either all children's needs are met or it runs out of bandwidth. The bandwidth given to a tiered arbiter is then divided between that arbiters children (child policers or a tier 2 arbiter) in the same fashion. A tiered arbiter may also have a rate limit defined that limits the amount of bandwidth it may receive from its parent.

An arbiter that is currently parented by another arbiter cannot be deleted.

Each time the **policer-control-policy** is applied to either a SAP, or a subscriber (through association with a sub-profile that has the policy applied), or a multi-service site an instance of the parent policer and the arbiters is created.

Any child policer that uses the arbiter's name in its parenting command will be associated with the arbiter instance. The child policer will also become associated with any arbiter to which its parent arbiter is parented (grandparent). Having child policers parented to an arbiter does not prevent that arbiter from being removed from the **policer-control-policy**. When removed, the child policers become orphaned.

You can create up to 31 tiered arbiters within the **policer-control-policy** on either tier 1 or tier 2 (in addition to the arbiter).

The **no** form of this command is used to remove an arbiter from tier 1 or tier 2. If the specified arbiter does not exist, the command returns without an error. If the specified arbiter is currently specified as the parent for another arbiter, the command will fail. When an arbiter is removed from a **policer-control-policy**, all instances of the arbiter will also be removed. Any child policers currently parented to the arbiter instance will become orphans and will not be bandwidth managed by the policer control policy instances parent policer.

**Default** None.

**Parameters** *arbiter-name* — Any unique name within the policy. Up to 31 arbiters may be created.

### description

**Syntax** **description** *description-string*  
**no description**

**Context** config>qos>policer-control-policy>tier>arbiter

**Description** This command is used to define an informational ASCII string associated with the specified arbiter. The string value may be defined or changed at anytime once the policy exists. The **no** version of this command is used to remove a description string from the tiered arbiter.

**Default** None.

**Parameters** *description-string* — This parameter defines the ASCII description string for the tiered arbiter. If the string contains spaces, it must be placed within beginning and ending double quotation marks. Beginning and ending quotation marks are not considered part of the description string. Only printable ASCII characters are allowed in the string. The sting does not need to be unique. If the command is executed without the *description-sting* present, any existing description string will be unaffected.

## rate

**Syntax** **rate** {*kilobits-per-second* | **max**}

**Context** config>qos>policer-control-policy>tier>arbiter

**Description** This command is used to define the maximum bandwidth an instance of the arbiter can receive from its parent tier 1 arbiter or the root arbiter. The arbiter instance enforces this limit by calculating the bandwidth each of its child policers should receive relative to their offered loads, parenting parameters and individual rate limits and using that derived rate as a child PIR decrement rate override. The override will not exceed the child policer's administrative rate limit and the aggregate of all the child PIR decrement rates will not exceed the specified arbiter rate limit.

The arbiter's policy defined rate value may be overridden at the SAP or sub-profile where the **policer-control-policy** is applied. Specifying an override prevents the arbiter from being removed from the policer control policy until the override is removed.

The **no** version of this command is used to remove a rate limit from the arbiter at the policer control policy level. The policy level rate limit for the arbiter will return to the default value of max. The **no rate** command has no effect on instances of the arbiter where a rate limit override has been defined.

**Default** max

**Parameters** *kilobits-per-second* — **max** or 1 to 2000000000

The *kilobits-per-second* parameter is mutually exclusive with the **max** keyword. When specifying a value for *kilobits-per-second*, enter an integer representing the rate limit in kilobits per second.

*max* — The **max** keyword is mutually exclusive with the *kilobits-per-second* parameter. When **max** is specified, the arbiter does not enforce a rate limit on its child policers or arbiters other than the individual rate limits enforced at the child level.

## parent

**Syntax** **parent** {**root** |*arbiter-name*} [**level** *priority-level*] [**weight** *weight-within-level*]  
**no parent**

**Context** config>qos>policer-control-policy>tier>arbiter

## Class Fair Hierarchical Policing (CFHP) Policy Command Reference

**Description** This command is used to define from where the tiered arbiter receives bandwidth. Both tier 1 and tier 2 arbiters default to parenting to the root arbiter. Tier 2 arbiters may be modified to parent to a tier 1 arbiter. The tier 1 arbiter parent cannot be changed. If the no parent command is executed, the arbiter reverts to its root parenting default parameters.

The **parent** command is also used to define the parenting parameters. Each child arbiter attaches to its parent on one of the parent's eight strict levels. Level 1 is the lowest and 8 is the highest. The level attribute is used to define which level the child arbiter uses on its parent. The parent distributes its available bandwidth based on strict priority starting with priority level 8 and proceeding towards level 1.

The **weight** attribute is used to define how multiple children at the same parent strict level compete when insufficient bandwidth exists on the parent for that level. Each child's weight is divided by the sum of the active children's weights and the result is multiplied by the available bandwidth. If a child cannot receive its entire weighted fair share of bandwidth due to a defined child rate limit, the remainder of its bandwidth is distributed between the other children based on their weights.

The **no** version of this command is used to return the tiered arbiter to the default parenting behavior. The arbiter will be attached to the root arbiter at priority level 1 with a weight of 1.

**Default** none

**Parameters** **root** — The **root** keyword is mutually exclusive with the *arbiter-name* parameter. In tier 1, *arbiter-name* is not allowed and only **root** is accepted. When **root** is specified, the arbiter will receive all bandwidth directly from the root arbiter. This is the default parent for tiered arbiters.

*arbiter-name* — The *arbiter-name* parameter is mutually exclusive with the **root** keyword. In tier 1, *arbiter-name* is not allowed and only **root** is accepted. The specified *arbiter-name* must exist within the policer-control-policy at tier 1 or the parent command will fail. Once a tiered arbiter is acting as a parent for another tiered arbiter, the parent arbiter cannot be removed from the policy. The child arbiter will receive all bandwidth directly from its parent arbiter (which receives bandwidth from the root arbiter).

**level** *priority-level* — The **level** *priority-level* keyword and parameter are optional when executing the parent command. When **level** is not specified, a default level of 1 is used in the parent arbiter. When **level** is specified, the *priority-level* parameter must be specified as an integer value from 1 through 8.

**weight** *weight-within-level* — The **weight** *weight-within-level* keyword and parameter are optional when executing the parent command. When **weight** is not specified, a default level of 1 is used in the parent arbiters priority level. When **weight** is specified, the *weight-within-level* parameter must be specified as an integer value from 1 through 100.

# Frequently Used QoS Terms

---

## In This Chapter

This chapter provides definitions for frequently used QoS terminology.

The following terms are used in router Hierarchical QoS to describe the operation and maintenance of a virtual scheduler hierarchy and are presented for reference purposes:

- [Above CIR Distribution](#)
- [Available Bandwidth](#)
- [CBS](#)
- [CIR](#)
- [CIR Level](#)
- [CIR Weight](#)
- [Child](#)
- [Level](#)
- [MBS](#)
- [MCR](#)
- [Offered Load](#)
- [Orphan](#)
- [Parent](#)
- [Queue](#)
- [Rate](#)
- [Root \(Scheduler\)](#)
- [Scheduler Policy](#)
- [Tier](#)
- [Virtual Scheduler](#)
- [Weight](#)
- [Within CIR Distribution](#)

## Above CIR Distribution

‘Above CIR’ distribution is the second phase of bandwidth allocation between a parent scheduler and its child queues and child schedulers. The bandwidth that is available to the parent scheduler after the ‘within CIR’ distribution is distributed among the child members using each child’s level (to define strict priority for the above CIR distribution), Weight (the ratio at a given level with several children) and the child’s rate value. A rate value equal to the child’s CIR value results in a child not receiving any bandwidth during the ‘above CIR’ distribution phase.

## Available Bandwidth

Available bandwidth is the bandwidth usable by a parent scheduler to distribute to its child queues and schedulers. The available bandwidth is limited by the parent’s schedulers association with its parent scheduler. If the parent scheduler has a parent of its own and the parent schedulers defined rate value, then available bandwidth is distributed to the child queues and schedulers using a ‘within CIR’ distribution phase and an ‘above CIR’ distribution phase. Distribution in each phase is based on a combination of the strict priority of each child and the relative weight of the child at that priority level. Separate priority and weight controls are supported per child for each phase.

## CBS

The Committed Burst Size (CBS) specifies the relative amount of reserved buffers for a specific ingress network XMA or MDA forwarding class queue or egress network port forwarding class queue. The value is entered as a percentage.

## CIR

The Committed Information Rate (CIR) defines the amount of bandwidth committed to the scheduler or queue.

- For schedulers, the CIR value can be explicitly defined or derived from summing the child member CIR values.
- On a queue, the CIR value is explicitly defined.

The CIR rate for ingress queues controls the in-profile and out-of-profile policing and ultimately egress in-profile and out-of-profile marking. Queue CIR rates also define the hardware fairness threshold at which the queue is no longer prioritized over other queues.

A child's (queue or scheduler) CIR is used with the CIR level parameter to determine the child's committed bandwidth from the parent scheduler. When multiple children are at the same strict CIR level, the CIR weight further determines the bandwidth distribution at that level.

### **CIR Level**

The CIR level parameter defines the strict level at which bandwidth is allocated to the child queue or scheduler during the within CIR distribution phase of bandwidth allocation. All committed bandwidth (determined by the CIR defined for the child) is allocated before any child receives non-committed bandwidth. Bandwidth is allocated to children at the higher CIR levels before children at a lower level. A child CIR value of zero or an undefined CIR level results in bandwidth allocation to the child only after all other children receive their provisioned CIR bandwidth. When multiple children share a CIR level, the CIR weight parameter further defines bandwidth allocation according to the child's weight ratio.

### **CIR Weight**

The CIR weight parameter defines the weight within the CIR level given to a child queue or scheduler. When multiple children share the same CIR level on a parent scheduler, the ratio of bandwidth given to an individual child is dependent on the ratio of the weights of the active children. A child is considered active when a portion of the offered load is within the child's defined CIR rate. The ratio is calculated by first adding the CIR weights of all active children and then dividing each child's CIR weight by the sum. If a child's CIR level parameter is not defined, that child is not included in the within CIR distribution and the CIR weight parameter is ignored. A CIR weight of zero forces the child to receive bandwidth only after all other children at that level have received their 'within CIR' bandwidth. When several children share a CIR weight of zero, all are treated equally.

Child

## **Child**

Child is a logical state of a queue or scheduler that has been configured with a valid parent scheduler association. The child/parent association is used to build the hierarchy among the queues and schedulers.

## **Level**

The level parameter defines the strict priority level for a child queue or scheduler with regards to bandwidth allocation during the above CIR distribution phase on the child's parent scheduler. This allocation of bandwidth is done after the 'within CIR' distribution is finished. All child queues and schedulers receive the remaining bandwidth according to the strict priority level in which they are defined with higher levels receiving bandwidth first and lower levels receiving bandwidth if available.

## **MBS**

The Maximum Burst Size (**MBS**) command specifies the relative amount of the buffer pool space for the maximum buffers for a specific ingress network XMA or MDA forwarding class queue or egress network port forwarding class queue. The value is entered as a percentage.

## **MCR**

The Minimum Cell Rate (**MCR**).



## Offered Load

Offered load is evaluated per child in the scheduler hierarchy. The offered load is the amount of bandwidth a child queue or scheduler can use to accommodate the data passing through the child. It is separated into two portions; within CIR and above CIR. Within CIR offered load is the portion of bandwidth required to meet the child's CIR value. It can be less than the CIR value but never greater. If the forwarding requirement for the child is greater than the CIR value, the remaining is considered to be the above CIR offered load. The sum of the within CIR and above CIR offered load cannot be greater than the maximum rate defined for the child.

## Orphan

When a child queue is configured with a parent scheduler specified but the parent scheduler does not exist on the object the queue is created on, the state is considered orphaned.

An orphaned state is not the same condition as when a queue is not defined with a parent association. Orphan states are cleared when the parent scheduler becomes available on the object. This can occur when a scheduler policy containing the parent scheduler name is applied to the object that the queue exists on or when the scheduler name is added to the scheduler policy already applied to the object that the queue exists on.

## Parent

A scheduler becomes a parent when a queue or scheduler defines it as its parent. A queue or scheduler can be a child of only one scheduler. When defining a parent association on a child scheduler, the parent scheduler must already exist in the same scheduler policy and on a scheduler tier higher (numerically lower) than the child scheduler. Parent associations for queues are only checked once, when an instance of the queue is created on a SAP.

## Queue

A queue is where packets that will be forwarded are buffered before scheduling. Packets are not actually forwarded through the schedulers; they are forwarded from the queues directly to ingress or egress interfaces. The association between the queue and the virtual schedulers is intended to accomplish bandwidth allocation to the queue. Because the offered load is derived from queue utilization, bandwidth allocation is dependent on the queue distribution among the scheduler hierarchy. Queues can be tied to only one scheduler within the hierarchy.

## Rate

The rate defines the maximum bandwidth that will be made available to the scheduler or queue. The rate is defined in kilobits per second (Kbps).

- On a scheduler, the rate setting is used to limit the total bandwidth allocated to the scheduler's child members.
- For queues, the rate setting is used to define the Peak Information Rate (PIR) at which the queue can operate.

## Root (Scheduler)

A scheduler that has no parent scheduler association (is not a child of another scheduler) is considered to be a root scheduler. With no parent scheduler, bandwidth utilized by a root scheduler is dependent on offered load of child members, the maximum rate defined for the scheduler and total overall available bandwidth. Any scheduler can be a root scheduler. Since parent associations are not allowed in Tier 1, all schedulers in Tier 1 are considered be a root scheduler.

## Scheduler Policy

A scheduler policy represents a particular grouping of virtual schedulers that are defined in specific scheduler tiers. The tiers and internal parent associations between the schedulers establish the hierarchy among the virtual schedulers. A scheduler policy can be applied to either a multi-service site or to a service Service Access Point (SAP). Once the policy is applied to a site or SAP, the schedulers in the policy are instantiated on the object and are available for use by child queues directly or indirectly associated with the object.

## Tier

A tier is an organizational configuration used within a scheduler policy to define the place of schedulers created in the policy. Three tiers are supported; Tier 1, Tier 2, and Tier 3. Schedulers defined in Tier 2 can have parental associations with schedulers defined in Tier 1. Schedulers defined in Tier 3 can have parental associations with schedulers defined at Tiers 1 or 2. Queues can have parental associations with schedulers at any tier level.

## Virtual Scheduler

A virtual scheduler, defined by a name (text string), is a logical configuration used as a parent to a group of child members that are dependent upon a common parent for bandwidth allocation. The virtual scheduler can also be a child member to another parent virtual scheduler and receive bandwidth from that parent to distribute to its child members.

## Weight

The weight parameter defines the weight within the 'above CIR' level given to a child queue or scheduler. When several children share the same level on a parent scheduler, the ratio of bandwidth given to an individual child is dependent on the ratio of the weights of the active children. A child is considered active when a portion of the offered load is above the CIR value (also bounded by the child's maximum bandwidth defined by the child's rate parameter). The portion of bandwidth given to each child is based on the child's weight compared to the sum of the weights of all active children at that level. A weight of zero forces the child to receive bandwidth only after all other children at that level have received their 'above CIR' bandwidth. When several children share a weight of zero, all are treated equally.

## **Within CIR Distribution**

Within the CIR distribution process is the initial phase of bandwidth allocation between a parent scheduler and its child queues and child schedulers. The bandwidth that is available to the parent scheduler is distributed first among the child members using each child's CIR level (to define a strict priority for the CIR distribution), CIR weight (the ratio at a given CIR level with several children), and the child's CIR value. A CIR value of zero or an undefined CIR level causes a child to not receive any bandwidth during the CIR distribution phase. If the parent scheduler has any bandwidth remaining after the 'within CIR' distribution phase, it will be distributed using the above CIR distribution phase.

# Standards and Protocol Support

---



**Note:** The information presented is subject to change without notice.

Alcatel-Lucent assumes no responsibility for inaccuracies contained herein.

## ANCP/L2CP

draft-ietf-ancp-protocol-02, *Protocol for Access Node Control Mechanism in Broadband Networks*

RFC 5851, *Framework and Requirements for an Access Node Control Mechanism in Broadband Multi-Service Networks*

## ATM

AF-ILMI-0065.000, *Integrated Local Management Interface (ILMI) Version 4.0*

AF-PHY-0086.001, *Inverse Multiplexing for ATM (IMA) Specification Version 1.1*

AF-TM-0121.000, *Traffic Management Specification Version 4.1*

AF-TM-0150.00, *Addendum to Traffic Management v4.1 optional minimum desired cell rate indication for UBR*

GR-1113-CORE, *Asynchronous Transfer Mode (ATM) and ATM Adaptation Layer (AAL) Protocols Generic Requirements, Issue 1*

GR-1248-CORE, *Generic Requirements for Operations of ATM Network Elements (NEs), Issue 3*

ITU-T I.432.1, *B-ISDN user-network interface - Physical layer specification: General characteristics (02/99)*

ITU-T I.610, *B-ISDN operation and maintenance principles and functions (11/95)*

RFC 1626, *Default IP MTU for use over ATM AAL5*

RFC 2684, *Multiprotocol Encapsulation over ATM Adaptation Layer 5*

## BGP

draft-hares-idr-update-attrib-low-bits-fix-01, *Update Attribute Flag Low Bits Clarification*

draft-ietf-idr-add-paths-04, *Advertisement of Multiple Paths in BGP*

draft-ietf-idr-best-external-03, *Advertisement of the best external route in BGP*

## Standards and Protocol Support

- draft-ietf-idr-bgp-gr-notification-01, Notification Message support for BGP Graceful Restart*
- draft-ietf-idr-error-handling-03, Revised Error Handling for BGP UPDATE Messages*
- RFC 1772, Application of the Border Gateway Protocol in the Internet*
- RFC 1997, BGP Communities Attribute*
- RFC 2385, Protection of BGP Sessions via the TCP MD5 Signature Option*
- RFC 2439, BGP Route Flap Damping*
- RFC 2545, Use of BGP-4 Multiprotocol Extensions for IPv6 Inter-Domain Routing*
- RFC 2858, Multiprotocol Extensions for BGP-4*
- RFC 2918, Route Refresh Capability for BGP-4*
- RFC 3107, Carrying Label Information in BGP-4*
- RFC 3392, Capabilities Advertisement with BGP-4*
- RFC 4271, A Border Gateway Protocol 4 (BGP-4)*
- RFC 4360, BGP Extended Communities Attribute*
- RFC 4364, BGP/MPLS IP Virtual Private Networks (VPNs)*
- RFC 4456, BGP Route Reflection: An Alternative to Full Mesh Internal BGP (IBGP)*
- RFC 4486, Subcodes for BGP Cease Notification Message*
- RFC 4659, BGP/MPLS IP Virtual Private Network (VPN) Extension for IPv6 VPN*
- RFC 4684, Constrained Route Distribution for Border Gateway Protocol/MultiProtocol Label Switching (BGP/MPLS) Internet Protocol (IP) Virtual Private Networks (VPNs)*
- RFC 4724, Graceful Restart Mechanism for BGP (Helper Mode)*
- RFC 4760, Multiprotocol Extensions for BGP-4*
- RFC 4798, Connecting IPv6 Islands over IPv4 MPLS Using IPv6 Provider Edge Routers (6PE)*
- RFC 4893, BGP Support for Four-octet AS Number Space*
- RFC 5004, Avoid BGP Best Path Transitions from One External to Another*
- RFC 5065, Autonomous System Confederations for BGP*
- RFC 5291, Outbound Route Filtering Capability for BGP-4*
- RFC 5575, Dissemination of Flow Specification Rules*
- RFC 5668, 4-Octet AS Specific BGP Extended Community*

## Circuit Emulation

- MEF-8, Implementation Agreement for the Emulation of PDH Circuits over Metro Ethernet Networks, October 2004*
- RFC 4553, Structure-Agnostic Time Division Multiplexing (TDM) over Packet (SAToP)*
- RFC 5086, Structure-Aware Time Division Multiplexed (TDM) Circuit Emulation Service over Packet Switched Network (CESoPSN)*

RFC 5287, *Control Protocol Extensions for the Setup of Time-Division Multiplexing (TDM) Pseudowires in MPLS Networks*

## Ethernet

IEEE 802.1AB, *Station and Media Access Control Connectivity Discovery*  
 IEEE 802.1ad, *Provider Bridges*  
 IEEE 802.1ag, *Connectivity Fault Management*  
 IEEE 802.1ah, *Provider Backbone Bridges*  
 IEEE 802.1ak, *Multiple Registration Protocol*  
 IEEE 802.1aq, *Shortest Path Bridging*  
 IEEE 802.1ax, *Link Aggregation*  
 IEEE 802.1D, *MAC Bridges*  
 IEEE 802.1p, *Traffic Class Expediting*  
 IEEE 802.1Q, *Virtual LANs*  
 IEEE 802.1s, *Multiple Spanning Trees*  
 IEEE 802.1w, *Rapid Reconfiguration of Spanning Tree*  
 IEEE 802.1X, *Port Based Network Access Control*  
 IEEE 802.3ab, *1000BASE-T*  
 IEEE 802.3ac, *VLAN Tag*  
 IEEE 802.3ad, *Link Aggregation*  
 IEEE 802.3ae, *10 Gb/s Ethernet*  
 IEEE 802.3ah, *Ethernet in the First Mile*  
 IEEE 802.3ba, *40 Gb/s and 100 Gb/s Ethernet*  
 IEEE 802.3i, *Ethernet*  
 IEEE 802.3u, *Fast Ethernet*  
 IEEE 802.3x, *Ethernet Flow Control*  
 IEEE 802.3z, *Gigabit Ethernet*  
 ITU-T G.8031, *Ethernet Linear Protection Switching*  
 ITU-T G.8032, *Ethernet Ring Protection Switching*  
 ITU-T Y.1731, *OAM functions and mechanisms for Ethernet based networks*

## EVPN

draft-ietf-bess-evpn-overlay-02, *A Network Virtualization Overlay Solution using EVPN*  
 draft-ietf-bess-evpn-prefix-advertisement-02, *IP Prefix Advertisement in EVPN*  
 draft-ietf-bess-evpn-vpls-seamless-integ-00, *(PBB-)EVPN Seamless Integration with (PBB-)VPLS*

draft-snr-bess-evpn-proxy-arp-nd-00, *Proxy-ARP/ND function in EVPN networks*  
RFC 7432, *BGP MPLS-Based Ethernet VPN*  
RFC 7623, *Provider Backbone Bridging Combined with Ethernet VPN (PBB-EVPN)*

### **Frame Relay**

ANSI T1.617 Annex D, *DSSI - Signalling Specification For Frame Relay Bearer Service*  
FRF.1.2, *PVC User-to-Network Interface (UNI) Implementation Agreement*  
FRF.12, *Frame Relay Fragmentation Implementation Agreement*  
FRF.16.1, *Multilink Frame Relay UNI/NNI Implementation Agreement*  
FRF.5, *Frame Relay/ATM PVC Network Interworking Implementation*  
FRF2.2, *PVC Network-to-Network Interface (NNI) Implementation Agreement*  
ITU-T Q.933 Annex A, *Additional procedures for Permanent Virtual Connection (PVC) status management*

### **IP - Fast Reroute**

draft-ietf-rtgwg-lfa-manageability-08, *Operational management of Loop Free Alternates*  
RFC 5286, *Basic Specification for IP Fast Reroute: Loop-Free Alternates*  
RFC 7431, *Multicast-Only Fast Reroute*  
RFC 7490, *Remote Loop-Free Alternate (LFA) Fast Reroute (FRR)*

### **IP — General**

draft-grant-tacacs-02, *The TACACS+ Protocol*  
draft-ietf-vrrp-unified-spec-02, *Virtual Router Redundancy Protocol Version 3 for IPv4 and IPv6*  
RFC 768, *User Datagram Protocol*  
RFC 793, *Transmission Control Protocol*  
RFC 854, *Telnet Protocol Specifications*  
RFC 951, *Bootstrap Protocol (BOOTP)*  
RFC 1034, *Domain Names - Concepts and Facilities*  
RFC 1035, *Domain Names - Implementation and Specification*  
RFC 1350, *The TFTP Protocol (revision 2)*  
RFC 1534, *Interoperation between DHCP and BOOTP*  
RFC 1542, *Clarifications and Extensions for the Bootstrap Protocol*  
RFC 2131, *Dynamic Host Configuration Protocol*  
RFC 2347, *TFTP Option Extension*  
RFC 2348, *TFTP Blocksize Option*



RFC 2349, *TFTP Timeout Interval and Transfer Size Options*  
RFC 2428, *FTP Extensions for IPv6 and NATs*  
RFC 2865, *Remote Authentication Dial In User Service (RADIUS)*  
RFC 2866, *RADIUS Accounting*  
RFC 2867, *RADIUS Accounting Modifications for Tunnel Protocol Support*  
RFC 2868, *RADIUS Attributes for Tunnel Protocol Support*  
RFC 3046, *DHCP Relay Agent Information Option (Option 82)*  
RFC 3315, *Dynamic Host Configuration Protocol for IPv6 (DHCPv6)*  
RFC 3596, *DNS Extensions to Support IP version 6*  
RFC 3768, *Virtual Router Redundancy Protocol (VRRP)*  
RFC 4250, *The Secure Shell (SSH) Protocol Assigned Numbers*  
RFC 4251, *The Secure Shell (SSH) Protocol Architecture*  
RFC 4254, *The Secure Shell (SSH) Connection Protocol*  
RFC 4632, *Classless Inter-domain Routing (CIDR): The Internet Address Assignment and Aggregation Plan*  
RFC 5082, *The Generalized TTL Security Mechanism (GTSM)*  
RFC 5880, *Bidirectional Forwarding Detection (BFD)*  
RFC 5881, *Bidirectional Forwarding Detection (BFD) IPv4 and IPv6 (Single Hop)*  
RFC 5883, *Bidirectional Forwarding Detection (BFD) for Multihop Paths*  
RFC 6398, *IP Router Alert Considerations and Usage (MLD Only)*  
RFC 7130, *Bidirectional Forwarding Detection (BFD) on Link Aggregation Group (LAG) Interfaces*

### **IP — Multicast**

draft-dolganow-bess-mvpn-expl-track-01, *Explicit Tracking with Wild Card Routes in Multicast VPN*  
draft-ietf-idmr-traceroute-ipm-07, *A "traceroute" facility for IP Multicast*  
draft-ietf-l2vpn-vpls-pim-snooping-07, *Protocol Independent Multicast (PIM) over Virtual Private LAN Service (VPLS)*  
RFC 1112, *Host Extensions for IP Multicasting*  
RFC 2236, *Internet Group Management Protocol, Version 2*  
RFC 2375, *IPv6 Multicast Address Assignments*  
RFC 2710, *Multicast Listener Discovery (MLD) for IPv6*  
RFC 3306, *Unicast-Prefix-based IPv6 Multicast Addresses*  
RFC 3376, *Internet Group Management Protocol, Version 3*  
RFC 3446, *Anycast Rendezvous Point (RP) mechanism using Protocol Independent Multicast (PIM) and Multicast Source Discovery Protocol (MSDP)*

- RFC 3590, *Source Address Selection for the Multicast Listener Discovery (MLD) Protocol*
- RFC 3618, *Multicast Source Discovery Protocol (MSDP)*
- RFC 3810, *Multicast Listener Discovery Version 2 (MLDv2) for IPv6*
- RFC 3956, *Embedding the Rendezvous Point (RP) Address in an IPv6 Multicast Address*
- RFC 4541, *Considerations for Internet Group Management Protocol (IGMP) and Multicast Listener Discovery (MLD) Snooping Switches*
- RFC 4601, *Protocol Independent Multicast - Sparse Mode (PIM-SM): Protocol Specification (Revised)*
- RFC 4604, *Using Internet Group Management Protocol Version 3 (IGMPv3) and Multicast Listener Discovery Protocol Version 2 (MLDv2) for Source-Specific Multicast*
- RFC 4607, *Source-Specific Multicast for IP*
- RFC 4608, *Source-Specific Protocol Independent Multicast in 232/8*
- RFC 4610, *Anycast-RP Using Protocol Independent Multicast (PIM)*
- RFC 5059, *Bootstrap Router (BSR) Mechanism for Protocol Independent Multicast (PIM)*
- RFC 5384, *The Protocol Independent Multicast (PIM) Join Attribute Format*
- RFC 5496, *The Reverse Path Forwarding (RPF) Vector TLV*
- RFC 6037, *Cisco Systems' Solution for Multicast in MPLS/BGP IP VPNs*
- RFC 6512, *Using Multipoint LDP When the Backbone Has No Route to the Root*
- RFC 6513, *Multicast in MPLS/BGP IP VPNs*
- RFC 6514, *BGP Encodings and Procedures for Multicast in MPLS/IP VPNs*
- RFC 6515, *IPv4 and IPv6 Infrastructure Addresses in BGP Updates for Multicast VPNs*
- RFC 6516, *IPv6 Multicast VPN (MVPN) Support Using PIM Control Plane and Selective Provider Multicast Service Interface (S-PMSI) Join Messages*
- RFC 6625, *Wildcards in Multicast VPN Auto-Discover Routes*
- RFC 6826, *Multipoint LDP In-Band Signaling for Point-to-Multipoint and Multipoint-to-Multipoint Label Switched Path*
- RFC 7246, *Multipoint Label Distribution Protocol In-Band Signaling in a Virtual Routing and Forwarding (VRF) Table Context*
- RFC 7385, *IANA Registry for P-Multicast Service Interface (PMSI) Tunnel Type Code Points*

### **IP — Version 4**

- RFC 791, *Internet Protocol*
- RFC 792, *Internet Control Message Protocol*
- RFC 826, *An Ethernet Address Resolution Protocol*
- RFC 1519, *Classless Inter-Domain Routing (CIDR): an Address Assignment and Aggregation Strategy*
- RFC 1812, *Requirements for IPv4 Routers*
- RFC 1981, *Path MTU Discovery for IP version 6*

RFC 2401, *Security Architecture for Internet Protocol*  
 RFC 3021, *Using 31-Bit Prefixes on IPv4 Point-to-Point Links*

## IP — Version 6

RFC 2460, *Internet Protocol, Version 6 (IPv6) Specification*  
 RFC 2464, *Transmission of IPv6 Packets over Ethernet Networks*  
 RFC 2529, *Transmission of IPv6 over IPv4 Domains without Explicit Tunnels*  
 RFC 3587, *IPv6 Global Unicast Address Format*  
 RFC 3633, *IPv6 Prefix Options for Dynamic Host Configuration Protocol (DHCP) version 6*  
 RFC 3646, *DNS Configuration options for Dynamic Host Configuration Protocol for IPv6 (DHCPv6)*  
 RFC 3736, *Stateless Dynamic Host Configuration Protocol (DHCP) Service for IPv6*  
 RFC 3971, *SEcure Neighbor Discovery (SEND)*  
 RFC 3972, *Cryptographically Generated Addresses (CGA)*  
 RFC 4007, *IPv6 Scoped Address Architecture*  
 RFC 4193, *Unique Local IPv6 Unicast Addresses*  
 RFC 4291, *Internet Protocol Version 6 (IPv6) Addressing Architecture*  
 RFC 4443, *Internet Control Message Protocol (ICMPv6) for the Internet Protocol Version 6 (IPv6) Specification*  
 RFC 4861, *Neighbor Discovery for IP version 6 (IPv6)*  
 RFC 4862, *IPv6 Stateless Address Autoconfiguration (Router Only)*  
 RFC 4941, *Privacy Extensions for Stateless Address Autoconfiguration in IPv6*  
 RFC 5007, *DHCPv6 Leasequery*  
 RFC 5095, *Deprecation of Type 0 Routing Headers in IPv6*  
 RFC 5952, *A Recommendation for IPv6 Address Text Representation*  
 RFC 6106, *IPv6 Router Advertisement Options for DNS Configuration*  
 RFC 6164, *Using 127-Bit IPv6 Prefixes on Inter-Router Links*

## IPsec

draft-ietf-ipsec-isakmp-mode-cfg-05, *The ISAKMP Configuration Method*  
 draft-ietf-ipsec-isakmp-xauth-06, *Extended Authentication within ISAKMP/Oakley (XAUTH)*  
 RFC 2401, *Security Architecture for the Internet Protocol*  
 RFC 2406, *IP Encapsulating Security Payload (ESP)*  
 RFC 2409, *The Internet Key Exchange (IKE)*  
 RFC 2560, *X.509 Internet Public Key Infrastructure Online Certificate Status Protocol - OCSP*

- RFC 3706, *A Traffic-Based Method of Detecting Dead Internet Key Exchange (IKE) Peers*
- RFC 3947, *Negotiation of NAT-Traversal in the IKE*
- RFC 3948, *UDP Encapsulation of IPsec ESP Packets*
- RFC 4210, *Internet X.509 Public Key Infrastructure Certificate Management Protocol (CMP)*
- RFC 4211, *Internet X.509 Public Key Infrastructure Certificate Request Message Format (CRMF)*
- RFC 4891, *Using IPsec to Secure IPv6-in-IPv4 Tunnels*
- RFC 5996, *Internet Key Exchange Protocol Version 2 (IKEv2)*
- RFC 5998, *An Extension for EAP-Only Authentication in IKEv2*

### **IS-IS**

- draft-ietf-isis-mi-02, *IS-IS Multi-Instance*
- draft-ietf-isis-segment-routing-extensions-04, *IS-IS Extensions for Segment Routing*
- draft-kaplan-isis-ext-eth-02, *Extended Ethernet Frame Size Support*
- ISO/IEC 10589:2002, Second Edition, Nov. 2002, *Intermediate system to Intermediate system intra-domain routing information exchange protocol for use in conjunction with the protocol for providing the connectionless-mode Network Service (ISO 8473)*
- RFC 1195, *Use of OSI IS-IS for Routing in TCP/IP and Dual Environments*
- RFC 2973, *IS-IS Mesh Groups*
- RFC 3359, *Reserved Type, Length and Value (TLV) Codepoints in Intermediate System to Intermediate System*
- RFC 3719, *Recommendations for Interoperable Networks using Intermediate System to Intermediate System (IS-IS)*
- RFC 3787, *Recommendations for Interoperable IP Networks using Intermediate System to Intermediate System (IS-IS)*
- RFC 4971, *Intermediate System to Intermediate System (IS-IS) Extensions for Advertising Router Information*
- RFC 5120, *M-ISIS: Multi Topology (MT) Routing in IS-IS*
- RFC 5130, *A Policy Control Mechanism in IS-IS Using Administrative Tags*
- RFC 5301, *Dynamic Hostname Exchange Mechanism for IS-IS*
- RFC 5302, *Domain-wide Prefix Distribution with Two-Level IS-IS*
- RFC 5303, *Three-Way Handshake for IS-IS Point-to-Point Adjacencies*
- RFC 5304, *IS-IS Cryptographic Authentication*
- RFC 5305, *IS-IS Extensions for Traffic Engineering TE*
- RFC 5306, *Restart Signaling for IS-IS (Helper Mode)*
- RFC 5307, *IS-IS Extensions in Support of Generalized Multi-Protocol Label Switching (GMPLS)*

RFC 5308, *Routing IPv6 with IS-IS*  
 RFC 5309, *Point-to-Point Operation over LAN in Link State Routing Protocols*  
 RFC 5310, *IS-IS Generic Cryptographic Authentication*  
 RFC 6213, *IS-IS BFD-Enabled TLV*  
 RFC 6232, *Purge Originator Identification TLV for IS-IS*  
 RFC 6233, *IS-IS Registry Extension for Purges*  
 RFC 6329, *IS-IS Extensions Supporting IEEE 802.1aq Shortest Path Bridging*

## Management

draft-ietf-snmpv3-update-mib-05, *Management Information Base (MIB) for the Simple Network Management Protocol (SNMP)*  
 draft-ietf-isis-wg-mib-06, *Management Information Base for Intermediate System to Intermediate System (IS-IS)*  
 draft-ietf-mboned-msdp-mib-01, *Multicast Source Discovery protocol MIB*  
 draft-ietf-mpls-ldp-mib-07, *Definitions of Managed Objects for the Multiprotocol Label Switching, Label Distribution Protocol (LDP)*  
 draft-ietf-mpls-lsr-mib-06, *Multiprotocol Label Switching (MPLS) Label Switching Router (LSR) Management Information Base Using SMIPv2*  
 draft-ietf-mpls-te-mib-04, *Multiprotocol Label Switching (MPLS) Traffic Engineering Management Information Base*  
 draft-ietf-ospf-mib-update-08, *OSPF Version 2 Management Information Base*  
 ianaaddressfamilynumbers-mib, *IANA-ADDRESS-FAMILY-NUMBERS-MIB*  
 ianagmplstc-mib, *IANA-GMPLS-TC-MIB*  
 ianaiftype-mib, *IANAifType-MIB*  
 ianaiprouteprotocol-mib, *IANA-RTPROTO-MIB*  
 IEEE8021-CFM-MIB, *IEEE P802.1ag(TM) CFM MIB*  
 IEEE8021-PAE-MIB, *IEEE 802.1X MIB*  
 IEEE8023-LAG-MIB, *IEEE 802.3ad MIB*  
 LLDP-MIB, *IEEE P802.1AB(TM) LLDP MIB*  
 RFC 1157, *A Simple Network Management Protocol (SNMP)*  
 RFC 1215, *A Convention for Defining Traps for use with the SNMP*  
 RFC 1724, *RIP Version 2 MIB Extension*  
 RFC 2021, *Remote Network Monitoring Management Information Base Version 2 using SMIPv2*  
 RFC 2115, *Management Information Base for Frame Relay DTEs Using SMIPv2*  
 RFC 2138, *Remote Authentication Dial In User Service (RADIUS)*  
 RFC 2206, *RSVP Management Information Base using SMIPv2*  
 RFC 2213, *Integrated Services Management Information Base using SMIPv2*

- RFC 2494, *Definitions of Managed Objects for the DS0 and DS0 Bundle Interface Type*
- RFC 2514, *Definitions of Textual Conventions and OBJECT-IDENTITIES for ATM Management*
- RFC 2515, *Definitions of Managed Objects for ATM Management*
- RFC 2571, *An Architecture for Describing SNMP Management Frameworks*
- RFC 2572, *Message Processing and Dispatching for the Simple Network Management Protocol (SNMP)*
- RFC 2573, *SNMP Applications*
- RFC 2574, *User-based Security Model (USM) for version 3 of the Simple Network Management Protocol (SNMPv3)*
- RFC 2575, *View-based Access Control Model (VACM) for the Simple Network Management Protocol (SNMP)*
- RFC 2578, *Structure of Management Information Version 2 (SMIv2)*
- RFC 2579, *Textual Conventions for SMIv2*
- RFC 2787, *Definitions of Managed Objects for the Virtual Router Redundancy Protocol*
- RFC 2819, *Remote Network Monitoring Management Information Base*
- RFC 2856, *Textual Conventions for Additional High Capacity Data Types*
- RFC 2863, *The Interfaces Group MIB*
- RFC 2864, *The Inverted Stack Table Extension to the Interfaces Group MIB*
- RFC 2933, *Internet Group Management Protocol MIB*
- RFC 3014, *Notification Log MIB*
- RFC 3164, *The BSD syslog Protocol*
- RFC 3165, *Definitions of Managed Objects for the Delegation of Management Scripts*
- RFC 3231, *Definitions of Managed Objects for Scheduling Management Operations*
- RFC 3273, *Remote Network Monitoring Management Information Base for High Capacity Networks*
- RFC 3419, *Textual Conventions for Transport Addresses*
- RFC 3498, *Definitions of Managed Objects for Synchronous Optical Network (SONET) Linear Automatic Protection Switching (APS) Architectures*
- RFC 3584, *Coexistence between Version 1, Version 2, and Version 3 of the Internet-standard Network Management Framework*
- RFC 3592, *Definitions of Managed Objects for the Synchronous Optical Network/ Synchronous Digital Hierarchy (SONET/SDH) Interface Type*
- RFC 3593, *Textual Conventions for MIB Modules Using Performance History Based on 15 Minute Intervals*
- RFC 3635, *Definitions of Managed Objects for the Ethernet-like Interface Types*
- RFC 3637, *Definitions of Managed Objects for the Ethernet WAN Interface Sublayer*
- RFC 3826, *The Advanced Encryption Standard (AES) Cipher Algorithm in the SNMP User-based Security Model*

- RFC 3877, *Alarm Management Information Base (MIB)*
- RFC 3895, *Definitions of Managed Objects for the DS1, E1, DS2, and E2 Interface Types*
- RFC 3896, *Definitions of Managed Objects for the DS3/E3 Interface Type*
- RFC 4001, *Textual Conventions for Internet Network Addresses*
- RFC 4022, *Management Information Base for the Transmission Control Protocol (TCP)*
- RFC 4113, *Management Information Base for the User Datagram Protocol (UDP)*
- RFC 4220, *Traffic Engineering Link Management Information Base*
- RFC 4273, *Definitions of Managed Objects for BGP-4*
- RFC 4292, *IP Forwarding Table MIB*
- RFC 4293, *Management Information Base for the Internet Protocol (IP)*
- RFC 4379, *Detecting Multi-Protocol Label Switched (MPLS) Data Plane Failures*
- RFC 4631, *Link Management Protocol (LMP) Management Information Base (MIB)*
- RFC 4878, *Definitions and Managed Objects for Operations, Administration, and Maintenance (OAM) Functions on Ethernet-Like Interfaces*
- RFC 5101, *Specification of the IP Flow Information Export (IPFIX) Protocol for the Exchange of IP Traffic Flow Information*
- RFC 5357, *A Two-Way Active Measurement Protocol (TWAMP) (Server, Unauthenticated Mode)*
- RFC 6020, *YANG - A Data Modeling Language for the Network Configuration Protocol (NETCONF)*
- RFC 6038, *Two-Way Active Measurement Protocol (TWAMP) Reflect Octets and Symmetrical Size Features*
- RFC 6241, *Network Configuration Protocol (NETCONF)*
- RFC 6242, *Using the NETCONF Protocol over Secure Shell (SSH)*
- RFC 6243, *With-defaults Capability for NETCONF*
- RFC 6424, *Mechanism for Performing Label Switched Path Ping (LSP Ping) over MPLS Tunnels*
- RFC 6425, *Detecting Data Plane Failures in Point-to-Multipoint Multiprotocol Label Switching (MPLS) - Extensions to LSP Ping*
- SFLOW-MIB, *sFlow MIB Version 1.3 (Draft 5)*

## **MPLS — General**

- RFC 3031, *Multiprotocol Label Switching Architecture*
- RFC 3032, *MPLS Label Stack Encoding*
- RFC 3443, *Time To Live (TTL) Processing in Multi-Protocol Label Switching (MPLS) Networks*
- RFC 4023, *Encapsulating MPLS in IP or Generic Routing Encapsulation (GRE)*
- RFC 4182, *Removing a Restriction on the use of MPLS Explicit NULL*

RFC 5332, *MPLS Multicast Encapsulations*

RFC 6790, *The Use of Entropy Labels in MPLS Forwarding*

### **MPLS — GMPLS**

draft-ietf-ccamp-rsvp-te-srlg-collect-04, *RSVP-TE Extensions for Collecting SRLG Information*

RFC 3471, *Generalized Multi-Protocol Label Switching (GMPLS) Signaling Functional Description*

RFC 3473, *Generalized Multi-Protocol Label Switching (GMPLS) Signaling Resource ReserVation Protocol-Traffic Engineering (RSVP-TE) Extensions*

RFC 4204, *Link Management Protocol (LMP)*

RFC 4208, *Generalized Multiprotocol Label Switching (GMPLS) User-Network Interface (UNI): Resource ReserVation Protocol-Traffic Engineering (RSVP-TE) Support for the Overlay Model*

RFC 4872, *RSVP-TE Extensions in Support of End-to-End Generalized Multi-Protocol Label Switching (GMPLS) Recovery*

### **MPLS — LDP**

draft-ietf-mpls-ldp-ip-pw-capability-09, *Controlling State Advertisements Of Non-negotiated LDP Applications*

draft-ietf-mpls-ldp-ipv6-15, *Updates to LDP for IPv6*

draft-pdutta-mpls-ldp-adj-capability-00, *LDP Adjacency Capabilities*

draft-pdutta-mpls-ldp-v2-00, *LDP Version 2*

draft-pdutta-mpls-multi-ldp-instance-00, *Multiple LDP Instances*

draft-pdutta-mpls-tldp-hello-reduce-04, *Targeted LDP Hello Reduction*

RFC 3037, *LDP Applicability*

RFC 3478, *Graceful Restart Mechanism for Label Distribution Protocol (Helper Mode)*

RFC 5036, *LDP Specification*

RFC 5283, *LDP Extension for Inter-Area Label Switched Paths (LSPs)*

RFC 5443, *LDP IGP Synchronization*

RFC 5561, *LDP Capabilities*

RFC 5919, *Signaling LDP Label Advertisement Completion*

RFC 6388, *Label Distribution Protocol Extensions for Point-to-Multipoint and Multipoint-to-Multipoint Label Switched Paths*

RFC 6826, *Multipoint LDP in-band signaling for Point-to-Multipoint and Multipoint-to-Multipoint Label Switched Paths*



**MPLS — MPLS-TP**

- RFC 5586, *MPLS Generic Associated Channel*
- RFC 5921, *A Framework for MPLS in Transport Networks*
- RFC 5960, *MPLS Transport Profile Data Plane Architecture*
- RFC 6370, *MPLS Transport Profile (MPLS-TP) Identifiers*
- RFC 6378, *MPLS Transport Profile (MPLS-TP) Linear Protection*
- RFC 6426, *MPLS On-Demand Connectivity and Route Tracing*
- RFC 6427, *MPLS Fault Management Operations, Administration, and Maintenance (OAM)*
- RFC 6428, *Proactive Connectivity Verification, Continuity Check and Remote Defect indication for MPLS Transport Profile*
- RFC 6478, *Pseudowire Status for Static Pseudowires*
- RFC 7213, *MPLS Transport Profile (MPLS-TP) Next-Hop Ethernet Addressing*

**MPLS — RSVP-TE**

- draft-newton-mpls-te-dynamic-overbooking-00, *A DiffServ-TE Implementation Model to dynamically change booking factors during failure events*
- RFC 2702, *Requirements for Traffic Engineering over MPLS*
- RFC 2747, *RSVP Cryptographic Authentication*
- RFC 2961, *RSVP Refresh Overhead Reduction Extensions*
- RFC 3097, *RSVP Cryptographic Authentication -- Updated Message Type Value*
- RFC 3209, *RSVP-TE: Extensions to RSVP for LSP Tunnels*
- RFC 3473, *Generalized Multi-Protocol Label Switching (GMPLS) Signaling Resource Reservation Protocol-Traffic Engineering (RSVP-TE) Extensions (IF\_ID RSVP\_HOP Object With Unnumbered Interfaces and RSVP-TE Graceful Restart Helper Procedures)*
- RFC 3477, *Signalling Unnumbered Links in Resource ReSerVation Protocol - Traffic Engineering (RSVP-TE)*
- RFC 3564, *Requirements for Support of Differentiated Services-aware MPLS Traffic Engineering*
- RFC 3906, *Calculating Interior Gateway Protocol (IGP) Routes Over Traffic Engineering Tunnels*
- RFC 4090, *Fast Reroute Extensions to RSVP-TE for LSP Tunnels*
- RFC 4124, *Protocol Extensions for Support of DiffServ-aware MPLS Traffic Engineering*
- RFC 4125, *Maximum Allocation Bandwidth Constraints Model for DiffServ-aware MPLS Traffic Engineering*
- RFC 4127, *Russian Dolls Bandwidth Constraints Model for DiffServ-aware MPLS Traffic Engineering*
- RFC 4561, *Definition of a Record Route Object (RRO) Node-Id Sub-Object*

## Standards and Protocol Support

- RFC 4875, *Extensions to Resource Reservation Protocol - Traffic Engineering (RSVP-TE) for Point-to-Multipoint TE Label Switched Paths (LSPs)*
- RFC 4950, *ICMP Extensions for Multiprotocol Label Switching*
- RFC 5151, *Inter-Domain MPLS and GMPLS Traffic Engineering -- Resource Reservation Protocol-Traffic Engineering (RSVP-TE) Extensions*
- RFC 5712, *MPLS Traffic Engineering Soft Preemption*
- RFC 5817, *Graceful Shutdown in MPLS and Generalized MPLS Traffic Engineering Networks*

### **NAT**

- RFC 5382, *NAT Behavioral Requirements for TCP*
- RFC 5508, *NAT Behavioral Requirements for ICMP*
- RFC 6146, *Stateful NAT64: Network Address and Protocol Translation from IPv6 Clients to IPv4 Servers*
- RFC 6333, *Dual-Stack Lite Broadband Deployments Following IPv4 Exhaustion*
- RFC 6334, *Dynamic Host Configuration Protocol for IPv6 (DHCPv6) Option for Dual-Stack Lite*
- RFC 6888, *Common Requirements For Carrier-Grade NATs (CGNs)*

### **OpenFlow**

- ONF *OpenFlow Switch Specification Version 1.3.1* (OpenFlow-hybrid switches)

### **OSPF**

- draft-ietf-ospf-prefix-link-attr-06, *OSPFv2 Prefix/Link Attribute Advertisement*
- draft-ietf-ospf-segment-routing-extensions-04, *OSPF Extensions for Segment Routing*
- RFC 1586, *Guidelines for Running OSPF Over Frame Relay Networks*
- RFC 1765, *OSPF Database Overflow*
- RFC 2328, *OSPF Version 2*
- RFC 3101, *The OSPF Not-So-Stubby Area (NSSA) Option*
- RFC 3509, *Alternative Implementations of OSPF Area Border Routers*
- RFC 3623, *Graceful OSPF Restart Graceful OSPF Restart (Helper Mode)*
- RFC 3630, *Traffic Engineering (TE) Extensions to OSPF Version 2*
- RFC 4203, *OSPF Extensions in Support of Generalized Multi-Protocol Label Switching (GMPLS)*
- RFC 4222, *Prioritized Treatment of Specific OSPF Version 2 Packets and Congestion Avoidance*
- RFC 4552, *Authentication/Confidentiality for OSPFv3*

- RFC 4576, *Using a Link State Advertisement (LSA) Options Bit to Prevent Looping in BGP/MPLS IP Virtual Private Networks (VPNs)*
- RFC 4577, *OSPF as the Provider/Customer Edge Protocol for BGP/MPLS IP Virtual Private Networks (VPNs)*
- RFC 4970, *Extensions to OSPF for Advertising Optional Router Capabilities*
- RFC 5185, *OSPF Multi-Area Adjacency*
- RFC 5187, *OSPFv3 Graceful Restart (Helper Mode)*
- RFC 5243, *OSPF Database Exchange Summary List Optimization*
- RFC 5250, *The OSPF Opaque LSA Option*
- RFC 5309, *Point-to-Point Operation over LAN in Link State Routing Protocols*
- RFC 5340, *OSPF for IPv6*
- RFC 5709, *OSPFv2 HMAC-SHA Cryptographic Authentication*
- RFC 5838, *Support of Address Families in OSPFv3*
- RFC 6987, *OSPF Stub Router Advertisement*

### **PCEP**

- draft-alvarez-pce-path-profiles-04, *PCE Path Profiles*
- draft-ietf-pce-segment-routing-05, *PCEP Extensions for Segment Routing*
- draft-ietf-pce-stateful-pce-11, *PCEP Extensions for Stateful PCE*
- RFC 5440, *Path Computation Element (PCE) Communication Protocol (PCEP)*

### **Policy Management and Credit Control**

- 3GPP TS 29.212, *Policy and Charging Control (PCC) over Gx/Sd Reference Point (Release 11 and Release 12) Gx support as it applies to wireline environment (BNG)*
- RFC 3588, *Diameter Base Protocol*
- RFC 4006, *Diameter Credit-Control Application*

### **PPP**

- RFC 1332, *The PPP Internet Protocol Control Protocol (IPCP)*
- RFC 1377, *The PPP OSI Network Layer Control Protocol (OSINLCP)*
- RFC 1661, *The Point-to-Point Protocol (PPP)*
- RFC 1662, *PPP in HDLC-like Framing*
- RFC 1877, *PPP Internet Protocol Control Protocol Extensions for Name Server Addresses*
- RFC 1989, *PPP Link Quality Monitoring*
- RFC 1990, *The PPP Multilink Protocol (MP)*
- RFC 1994, *PPP Challenge Handshake Authentication Protocol (CHAP)*

RFC 2153, *PPP Vendor Extensions*  
RFC 2516, *A Method for Transmitting PPP Over Ethernet (PPPoE)*  
RFC 2615, *PPP over SONET/SDH*  
RFC 2661, *Layer Two Tunneling Protocol "L2TP"*  
RFC 2686, *The Multi-Class Extension to Multi-Link PPP*  
RFC 2878, *PPP Bridging Control Protocol (BCP)*  
RFC 4951, *Fail Over Extensions for Layer 2 Tunneling Protocol (L2TP) "failover"*  
RFC 5072, *IP Version 6 over PPP*

### **Pseudowire**

draft-ietf-l2vpn-vpws-iw-oam-04, *OAM Procedures for VPWS Interworking*  
MFA Forum 12.0.0, *Multiservice Interworking - Ethernet over MPLS*  
MFA Forum 13.0.0, *Fault Management for Multiservice Interworking v1.0*  
MFA Forum 16.0.0, *Multiservice Interworking - IP over MPLS*  
MFA Forum 9.0.0, *The Use of Virtual trunks for ATM/MPLS Control Plane Interworking*  
RFC 3916, *Requirements for Pseudo- Wire Emulation Edge-to-Edge (PWE3)*  
RFC 3985, *Pseudo Wire Emulation Edge-to-Edge (PWE3)*  
RFC 4385, *Pseudo Wire Emulation Edge-to-Edge (PWE3) Control Word for Use over an MPLS PSN*  
RFC 4446, *IANA Allocations for Pseudowire Edge to Edge Emulation (PWE3)*  
RFC 4447, *Pseudowire Setup and Maintenance Using the Label Distribution Protocol (LDP)*  
RFC 4448, *Encapsulation Methods for Transport of Ethernet over MPLS Networks*  
RFC 4619, *Encapsulation Methods for Transport of Frame Relay over Multiprotocol Label Switching (MPLS) Networks*  
RFC 4717, *Encapsulation Methods for Transport Asynchronous Transfer Mode (ATM) over MPLS Networks*  
RFC 4816, *Pseudowire Emulation Edge-to-Edge (PWE3) Asynchronous Transfer Mode (ATM) Transparent Cell Transport Service*  
RFC 5085, *Pseudowire Virtual Circuit Connectivity Verification (VCCV): A Control Channel for Pseudowires*  
RFC 5659, *An Architecture for Multi-Segment Pseudowire Emulation Edge-to-Edge*  
RFC 5885, *Bidirectional Forwarding Detection (BFD) for the Pseudowire Virtual Circuit Connectivity Verification (VCCV)*  
RFC 6073, *Segmented Pseudowire*  
RFC 6310, *Pseudowire (PW) Operations, Administration, and Maintenance (OAM) Message Mapping*  
RFC 6391, *Flow-Aware Transport of Pseudowires over an MPLS Packet Switched Network*

RFC 6575, *Address Resolution Protocol (ARP) Mediation for IP Interworking of Layer 2 VPNs*

RFC 6718, *Pseudowire Redundancy*

RFC 6829, *Label Switched Path (LSP) Ping for Pseudowire Forwarding Equivalence Classes (FECs) Advertised over IPv6*

RFC 6870, *Pseudowire Preferential Forwarding Status bit*

RFC 7023, *MPLS and Ethernet Operations, Administration, and Maintenance (OAM) Interworking*

RFC 7267, *Dynamic Placement of Multi-Segment Pseudowires*

### **Quality of Service**

RFC 2430, *A Provider Architecture for Differentiated Services and Traffic Engineering (PASTE)*

RFC 2474, *Definition of the Differentiated Services Field (DS Field) in the IPv4 and IPv6 Headers*

RFC 2598, *An Expedited Forwarding PHB*

RFC 3140, *Per Hop Behavior Identification Codes*

RFC 3260, *New Terminology and Clarifications for Diffserv*

### **RIP**

RFC 1058, *Routing Information Protocol*

RFC 2080, *RIPng for IPv6*

RFC 2082, *RIP-2 MD5 Authentication*

RFC 2453, *RIP Version 2*

### **SONET/SDH**

ITU-G.841, *Types and Characteristics of SDH Networks Protection Architecture, issued in October 1998 and as augmented by Corrigendum 1, issued in July 2002*

### **Timing**

GR-1244-CORE, *Clocks for the Synchronized Network: Common Generic Criteria, Issue 3, May 2005*

GR-253-CORE, *SONET Transport Systems: Common Generic Criteria. Issue 3, September 2000*

IEEE 1588-2008, *IEEE Standard for a Precision Clock Synchronization Protocol for Networked Measurement and Control Systems (Not Supported on 7950 XRS)*

ITU-T G.781, *Synchronization layer functions, issued 09/2008*

- ITU-T G.813, *Timing characteristics of SDH equipment slave clocks (SEC)*, issued 03/2003
- ITU-T G.8261, *Timing and synchronization aspects in packet networks*, issued 04/2008
- ITU-T G.8262, *Timing characteristics of synchronous Ethernet equipment slave clock (EEC)*, issued 08/2007
- ITU-T G.8264, *Distribution of timing information through packet networks*, issued 10/2008
- ITU-T G.8265.1, *Precision time protocol telecom profile for frequency synchronization*, issued 10/2010
- ITU-T G.8275.1, *Precision time protocol telecom profile for phase/time synchronization with full timing support from the network*, issued 07/2014
- RFC 5905, *Network Time Protocol Version 4: Protocol and Algorithms Specification*

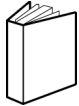
### **Voice and Video Performance**

- ETSI TS 101 329-5 Annex E, *QoS Measurement for VoIP - Method for determining an Equipment Impairment Factor using Passive Monitoring*
- ITU-T G.1020 Appendix I, *Performance Parameter Definitions for Quality of Speech and other Voiceband Applications Utilizing IP Networks - Mean Absolute Packet Delay Variation & Markov Models*
- ITU-T G.107, *The E Model - A computational model for use in planning*
- ITU-T P.564, *Conformance testing for voice over IP transmission quality assessment models*
- RFC 3550 Appendix A.8, *RTP: A Transport Protocol for Real-Time Applications (Estimating the Interarrival Jitter)*

### **VPLS**

- RFC 4761, *Virtual Private LAN Service (VPLS) Using BGP for Auto-Discovery and Signaling*
- RFC 4762, *Virtual Private LAN Service (VPLS) Using Label Distribution Protocol (LDP) Signaling*
- RFC 5501, *Requirements for Multicast Support in Virtual Private LAN Services*
- RFC 6074, *Provisioning, Auto-Discovery, and Signaling in Layer 2 Virtual Private Networks (L2VPNs)*
- RFC 7041, *Extensions to the Virtual Private LAN Service (VPLS) Provider Edge (PE) Model for Provider Backbone Bridging*
- RFC 7117, *Multicast in Virtual Private LAN Service (VPLS)*

# Customer Documentation and Product Support



## Customer Documentation

<http://documentation.alcatel-lucent.com>



## Technical Support

<http://support.alcatel-lucent.com>



## Documentation Feedback

[documentation.feedback@alcatel-lucent.com](mailto:documentation.feedback@alcatel-lucent.com)

