



7750 SR OS Router Configuration Guide

Software Version: 7750 SR OS 9.0R1
March 2011
Document Part Number: 93-0073-08-01



his document is protected by copyright. Except as specifically permitted herein, no portion of the provided information can be reproduced in any form, or by any means, without prior written permission from Alcatel-Lucent.

Alcatel, Lucent, Alcatel-Lucent and the Alcatel-Lucent logo are trademarks of Alcatel-Lucent. All other trademarks are the property of their respective owners.

The information presented is subject to change without notice.

Alcatel-Lucent assumes no responsibility for inaccuracies contained herein.

Copyright 2011 Alcatel-Lucent. All rights reserved.

Table of Contents

Getting Started

Alcatel-Lucent 7750 SR-Series Router Configuration Process	17
--	----

IP Router Configuration

Configuring IP Router Parameters	20
Interfaces	20
Network Interface	20
Network Domains	21
System Interface	22
Unicast RPF (uRPF)	22
Creating an IP Address Range	23
Router ID	24
Autonomous Systems (AS)	25
Confederations	26
Proxy ARP	28
DHCP Relay	29
Internet Protocol Versions	30
IPv6 Applications	32
DNS	34
IPv6 Provider Edge Router over MPLS (6PE)	35
Bi-directional Forwarding Detection	37
BFD Control Packet	37
Control Packet Format	38
BFD for RSVP-TE	40
Echo Support	40
BFD Support for BGP	41
Centralized BFD	41
Process Overview	43
Configuration Notes	44
Configuring an IP Router with CLI	45
Router Configuration Overview	46
System Interface	46
Network Interface	46
Basic Configuration	47
Common Configuration Tasks	48
Configuring a System Name	48
Configuring Interfaces	49
Configuring a System Interface	49
Configuring a Network Interface	49
Configuring IPv6 Parameters	51
Configuring IPv6 Over IPv4 Parameters	53
Tunnel Ingress Node	53
Tunnel Egress Node	58
Router Advertisement	62
Configuring IPv6 Parameters	63

Table of Contents

Router Advertisement	65
Configuring Proxy ARP	66
Creating an IP Address Range	68
Configuring an LDP Shortcut	68
Deriving the Router ID	72
Configuring a Confederation	73
Configuring an Autonomous System	74
Configuring Overload State on a Single SFM	75
Service Management Tasks	76
Changing the System Name	76
Modifying Interface Parameters	77
Deleting a Logical IP Interface	78
IP Router Command Reference	79
Configuration Commands	91
Generic Commands	91
Router Global Commands	92
Router L2TP Commands	107
Router Interface Commands	120
Router Advertisement Commands	151
Show Commands	157
L2TP Show Commands	203
Clear Commands	222
Debug Commands	228

VRRP

VRRP Overview	234
VRRP Components	235
Virtual Router	235
IP Address Owner	235
Primary and Secondary IP Addresses	236
Virtual Router Master	236
Virtual Router Backup	237
Owner and Non-Owner VRRP	237
Configurable Parameters	238
Virtual Router ID (VRID)	238
Priority	238
IP Addresses	239
Message Interval and Master Inheritance	240
Skew Time	240
Master Down Interval	241
Preempt Mode	241
VRRP Message Authentication	242
Authentication Data	244
Virtual MAC Address	244
VRRP Advertisement Message IP Address List Verification	244
Inherit Master VRRP Router's Advertisement Interval Timer	245
IPv6 Virtual Router Instance Operationally Up	245
Policies	245
VRRP Priority Control Policies	246

VRRP Virtual Router Policy Constraints	246
VRRP Virtual Router Instance Base Priority	246
VRRP Priority Control Policy Delta In-Use Priority Limit	247
VRRP Priority Control Policy Priority Events	248
Priority Event Hold-Set Timers	248
Port Down Priority Event	249
LAG Degrade Priority Event	249
Host Unreachable Priority Event	251
Route Unknown Priority Event	251
VRRP Non-Owner Accessibility	253
Non-Owner Access Ping Reply	253
Non-Owner Access Telnet	253
Non-Owner Access SSH	254
VRRP Configuration Process Overview	255
Configuration Notes	256
General	256
Configuring VRRP with CLI	257
VRRP Configuration Overview	258
Preconfiguration Requirements	258
Basic VRRP Configurations	259
VRRP Policy	259
VRRP IES Service Parameters	260
Configure VRRP for IPv6	261
VRRP Router Interface Parameters	262
Common Configuration Tasks	263
Creating Interface Parameters	264
Configuring VRRP Policy Components	265
Configuring Service VRRP Parameters	266
Non-Owner VRRP Example	266
Owner Service VRRP	267
Configuring Router Interface VRRP Parameters	268
Router Interface VRRP Non-Owner	268
Router Interface VRRP Owner	269
VRRP Configuration Management Tasks	270
Modifying a VRRP Policy	270
Deleting a VRRP Policy	271
Modifying Service and Interface VRRP Parameters	272
Modifying Non-Owner Parameters	272
Modifying Owner Parameters	272
Deleting VRRP on an Interface or Service	272
VRRP Command Reference	273
Configuration Commands	281
Interface Configuration Commands	281
Priority Policy Commands	299
Priority Policy Event Commands	302
Priority Policy Port Down Event Commands	305
Priority Policy LAG Events Commands	307
Priority Policy Host Unreachable Event Commands	310
Priority Policy Route Unknown Event Commands	314

Table of Contents

Show Commands	319
Monitor Commands	332
Clear Commands	334
VRRP Debug Commands	336

Filter Policies

Filter Policy Configuration Overview	338
Service and Network Port-Based Filtering	338
Filter Policy Entities	339
Applying Filter Policies	339
Redirect Policies	341
Web Redirection (Captive Portal)	342
VID Filters	344
Arbitrary Bit Matching of VID Filters	346
Port Group Configuration Example	347
Creating and Applying Policies	348
Packet Matching Criteria	350
Ordering Filter Entries	356
Applying Filters	358
Configuration Notes	359
MAC Filters	359
IP Filters	360
IPv6 Filters	360
Log Filter	360
Configuring Filter Policies with CLI	363
Basic Configuration	364
Common Configuration Tasks	365
Creating an IP Filter Policy	365
IP Filter Policy	365
IP Filter Entry	366
IP Entry Matching Criteria	369
Creating an IPv6 Filter Policy	370
IPv6 Filter Policy	370
IPv6 Filter Entry	371
Creating a MAC Filter Policy	372
MAC Filter Policy	372
Creating an ISID Filter	373
MAC Filter Entry	375
MAC Entry Matching Criteria	376
Creating Filter Log Policies	377
Applying Filter Policies	378
Apply IP and MAC Filter Policies	378
Apply an IPv6 Filter Policy to an IES SAP	380
Apply Filter Policies to a Network Port	381
Apply an IP Interface	381
Apply an IPv6 Interface	382
Creating a Redirect Policy	383
Configuring Policy-Based Forwarding for Deep Packet Inspection in VPLS	384

Filter Management Tasks	387
Renumbering Filter Policy Entries	387
Modifying an IP Filter Policy	389
Modifying an IPv6 Filter Policy	391
Modifying a MAC Filter Policy	392
Deleting a Filter Policy	393
From an Ingress SAP	393
From an Egress SAP	393
From a Network Interface	394
From the Filter Configuration	396
Modifying a Redirect Policy	397
Deleting a Redirect Policy	398
Copying Filter Policies	399
Filter Command Reference	401
Configuration Commands	407
Generic Commands	407
Global Filter Commands	408
DHCP Filter Commands	411
Filter Log Destination Commands	412
Filter Policy Commands	415
General Filter Entry Commands	417
IP Filter Entry Commands	419
MAC Filter Entry Commands	424
IP Filter Match Criteria	427
MAC Filter Match Criteria	435
Policy and Entry Maintenance Commands	443
Redirect Policy Commands	445
Show Commands	451
Clear Commands	481
Monitor Commands	483

Cflowd

Cflowd Overview	486
Operation	487
Version 9	490
Version 10	490
Cflowd Filter Matching	491
Cflowd Configuration Process Overview	492
Configuration Notes	493
Configuring Cflowd with CLI	495
Cflowd Configuration Overview	496
Traffic Sampling	496
Collectors	497
Aggregation	497
Basic Cflowd Configuration	499
Common Configuration Tasks	500
Global Cflowd Components	500
Configuring Cflowd	501
Enabling Cflowd	502

Table of Contents

Configuring Global Cflowd Parameters	503
Configuring Cflowd Collectors	504
Enabling Cflowd on Interfaces and Filters	509
Specifying Cflowd Options on an IP Interface	510
Interface Configurations	510
Service Interfaces	511
Specifying Sampling Options in Filter Entries	512
Filter Configurations	512
Dependencies	513
Cflowd Configuration Management Tasks	515
Modifying Global Cflowd Components	515
Modifying Cflowd Collector Parameters	516
Cflowd Command Reference	517
Cflowd Configuration Commands	519
Global Commands	519
Show Commands	527
Clear Commands	533
Common CLI Command Descriptions	
Common Service Commands	536
Standards and Protocol Support	541
Index	547

List of Tables

Getting Started

Table 1:	Configuration Process.....	17
----------	----------------------------	----

IP Router Configuration

Table 2:	IPv6 Header Field Descriptions.....	31
Table 3:	BFD Control Packet Field Descriptions.....	38
Table 4:	Default Route Preferences.....	103

VRRP

Table 5:	LAG Events.....	249
Table 6:	Show VRRP Statistics Output.....	330

Filter Policies

Table 7:	Applying Filter Policies.....	339
Table 8:	DSCP Name to DSCP Value Table.....	353
Table 9:	IP Option Values.....	355
Table 10:	MAC Match Criteria Exclusivity Rules.....	359
Table 11:	Applying Filter Policies.....	378

Cflowd

Table 12:	Template-Set.....	505
Table 13:	Cflowd Configuration Dependencies.....	514
Table 14:	Show Cflowd Collector Output Fields.....	527
Table 15:	Show Cflowd Collector Detailed Output Fields.....	528
Table 16:	Show Cflowd Status Output Fields.....	531

List of Tables

LIST OF FIGURES

IP Router Configuration

Figure 1:	Confederation Configuration	27
Figure 2:	IPv6 Header Format	30
Figure 3:	IPv6 Internet Exchange	32
Figure 4:	IPv6 Transit Services	32
Figure 5:	IPv6 Services to Enterprise Customers and Home Users	33
Figure 6:	IPv6 over IPv4 Tunnels	33
Figure 7:	Example of a 6PE Topology within One AS	35
Figure 8:	Mandatory Frame Format	38
Figure 9:	BFD for IES/VPDN over Spoke SDP	41
Figure 10:	BFD over LAG	42

VRRP

Figure 11:	VRRP Configuration	234
Figure 12:	VRRP Configuration and Implementation Flow	255

Filter Policies

Figure 13:	Web Redirect Traffic Flow	343
Figure 14:	VID Filtering Examples	345
Figure 15:	Port Groups	347
Figure 16:	Filter Creation and Implementation Flow	348
Figure 17:	Creating and Applying Filter Policies	349
Figure 18:	Filtering Process Example	357
Figure 19:	Applying an IP Filter to an Ingress Interface	364
Figure 20:	Policy-Based Forwarding for Deep Packet Inspection	384

Cflowd

Figure 21:	Basic Cflowd Steps	487
Figure 22:	V5, V8, V9, V10, and Flow Processing	489
Figure 23:	Cflowd Configuration and Implementation Flow	492

List of Figures

About This Guide

This guide describes logical IP routing interfaces, virtual routers, IP and MAC-based filtering, and cflowd support provided by the 7750 SR OS and presents configuration and implementation examples.

This document is organized into functional chapters and provides concepts and descriptions of the implementation flow, as well as Command Line Interface (CLI) syntax and command usage.

Audience

This manual is intended for network administrators who are responsible for configuring the 7750 SR-Series routers. It is assumed that the network administrators have an understanding of networking principles and configurations. Protocols, standards, and services described in this manual include the following:

- IP router configuration
- Virtual routers
- IP and MAC-based filters
- Cflowd

List of Technical Publications

The 7750 SR documentation set is composed of the following books:

- **7750 SR OS Basic System Configuration Guide**
This guide describes basic system configurations and operations.
- **7750 SR OS System Management Guide**
This guide describes system security and access configurations as well as event logging and accounting logs.
- **7750 SR OS Interface Configuration Guide**
This guide describes card, Media Dependent Adapter (MDA), and port provisioning.
- **7750 SR OS Router Configuration Guide**
This guide describes logical IP routing interfaces and associated attributes such as an IP address, port, link aggregation group (LAG) as well as IP and MAC-based filtering, VRRP and Cflowd.
- **7750 SR OS Routing Protocols Guide**
This guide provides an overview of routing concepts and provides configuration examples for RIP, OSPF, IS-IS, Multicast, BGP, and route policies.
- **7750 SR OS MPLS Guide**
This guide describes how to configure Multiprotocol Label Switching (MPLS) and Label Distribution Protocol (LDP).
- **7750 SR OS Services Guide**
This guide describes how to configure service parameters such as service distribution points (SDPs), customer information, and user services.
- **7750 SR OS OAM and Diagnostic Guide**
This guide describes how to configure features such as service mirroring and Operations, Administration and Management (OAM) tools.
- **7750 SR OS Triple Play Guide**
This guide describes Triple Play services and support provided by the 7750 SR and presents examples to configure and implement various protocols and services.
- **7750 SR Quality of Service Guide**
This guide describes how to configure Quality of Service (QoS) policy management.
- **OS Multi-Service ISA Guide**
This guide describes services provided by integrated service adapters such as Application Assurance, IPSec, ad insertion (ADI) and Network Address Translation (NAT).

Technical Support

If you purchased a service agreement for your router and related products from a distributor or authorized reseller, contact the technical support staff for that distributor or reseller for assistance. If you purchased an Alcatel-Lucent service agreement, contact your welcome center at:

Web: http://www1.alcatel-lucent.com/comps/pages/carrier_support.jhtml

Getting Started

In This Chapter

This chapter provides process flow information to configure routing entities, virtual routers, IP and MAC filters, and Cflowd.

Alcatel-Lucent 7750 SR-Series Router Configuration Process

[Table 1](#) lists the tasks necessary to configure logical IP routing interfaces, virtual routers, IP and MAC-based filtering, and Cflowd.

This guide is presented in an overall logical configuration flow. Each section describes a software area and provides CLI syntax and command usage to configure parameters for a functional area.

Table 1: Configuration Process

Area	Task	Chapter
Router configuration	Configure router parameters, including router interfaces and addresses, router IDs, autonomous systems, and confederations.	IP Router Configuration on page 19
Protocol configuration	VRRP	VRRP on page 233
	IP and MAC filters	Filter Policies on page 337
	Cflowd	Cflowd on page 485
Reference	List of IEEE, IETF, and other proprietary entities.	Standards and Protocol Support on page 541

IP Router Configuration

In This Chapter

This chapter provides information about commands required to configure basic router parameters.

Topics in this chapter include:

- [Configuring IP Router Parameters on page 20](#)
 - [Interfaces on page 20](#)
 - [Autonomous Systems \(AS\) on page 25](#)
 - [Confederations on page 26](#)
 - [Proxy ARP on page 28](#)
 - [Bi-directional Forwarding Detection on page 37](#)
- [Configuration Notes on page 44](#)

Configuring IP Router Parameters

In order to provision services on a 7750 SR-Series router, logical IP routing interfaces must be configured to associate attributes such as an IP address, port or the system with the IP interface.

A special type of IP interface is the system interface. A system interface must have an IP address with a 32-bit subnet mask. The system interface is used as the router identifier by higher-level protocols such as OSPF and BGP, unless overwritten by an explicit router ID.

The following router features can be configured:

- [Interfaces on page 20](#)
- [Creating an IP Address Range on page 23](#)
- [Autonomous Systems \(AS\) on page 25](#)
- [Confederations on page 26](#)
- [Proxy ARP on page 28](#)

Refer to 7750 SR OS Triple Play Guide for information about DHCP and support provided by the 7750 SR as well as configuration examples. on page 33

Interfaces

7750 SR-Series routers use different types of interfaces for various functions. Interfaces must be configured with parameters such as the interface type (network and system) and address. A port is not associated with a system interface. An interface can be associated with the system (loopback address).

Network Interface

A network interface (a logical IP routing interface) can be configured on one of the following entities:

- A physical or logical port
- A SONET/SDH channel

Network Domains

In order to determine which network ports (and hence which network complexes) are eligible to transport traffic of individual SDPs, network-domain is introduced. This information is then used for the sap-ingress queue allocation algorithm applied to VPLS SAPs. This algorithm is optimized in such a way that no sap-ingress queues are allocated if the given port does not belong to the network-domain used in the given VPLS. In addition, sap-ingress queues will not be allocated towards network ports (regardless of the network-domain membership) if the given VPLS does not contain any SDPs.

Sap-ingress queue allocation takes into account the following aspects:

- SHG membership of individual SDPs
- Network-domain definition under SDP to restrict the topology the given SDP can be set-up in

The implementation supports four network-domains within any given VPLS.

Network-domain configuration at the SDP level is ignored when the given SDP is used for E-PIPE, I-PIPE or A-PIPE bindings.

Network-domain configuration is irrelevant for L3 services (L3 VPN and/or IES service). It can be defined in the base routing context and associated only with network interfaces in this context. Network domains are not applicable to loopback and system interfaces.

The network-domain information will only be used for ingress VPLS sap queue-allocation. It will not be taken into account by routing during SDP setup. As a consequence, if the given SDP is routed through network interfaces that are not part of the configured network domain, the packets will be still forwarded, but their QoS and queuing behavior will be based on default settings. In addition, the packet will not appear in SAP stats.

There will be always one network-domain that exists with reserved name default. The interfaces will always belong to a default network-domain. It will be possible to assign given interface to different user-defined network-domains. The loopback and system interface will be also associated with the default network-domain at the creation. However, any attempt to associate such interfaces with any explicitly defined network-domain will be blocked at the CLI level as there is no benefit for that association.

Any SDP can be assigned only to one network domain. If none is specified, the system will assign the default network-domain. This means that all SAPs in VPLS will have queue reaching all fwd-complexes serving interfaces that belong to the same network-domains as the SDPs.

It is possible to assign/remove network-domain association of the interface/SDP without requiring deletion of the respective object.

System Interface

The system interface is associated with the network entity (such as a specific router or switch), not a specific interface. The system interface is also referred to as the loopback address. The system interface is associated during the configuration of the following entities:

- The termination point of service tunnels
- The hops when configuring MPLS paths and LSPs
- The addresses on a target router for BGP and LDP peering

The system interface is used to preserve connectivity (when routing reconvergence is possible) when an interface fails or is removed. The system interface is also referred to as the loopback address and is used as the router identifier. A system interface must have an IP address with a 32-bit subnet mask.

Unicast RPF (uRPF)

uRPF helps to mitigate problems that are caused by the introduction of malformed or forged (spoofed) IP source addresses into a network by discarding IP packets that lack a verifiable IP source address. For example, a number of common types of denial-of-service (DoS) attacks, including smurf and tribe flood network (TFN), can take advantage of forged or rapidly changing source IP addresses to allow attackers to thwart efforts to locate or filter the attacks. For Internet service providers (ISPs) that provide public access, Unicast RPF deflects such attacks by forwarding only packets that have source addresses that are valid and consistent with the IP routing table. This action protects the network of the ISP, its customer, and the rest of the Internet.

In strict mode, uRPF checks whether the incoming packet has a source address that matches a prefix in the routing table, and whether the interface expects to receive a packet with this source address prefix.

In loose mode, uRPF checks whether the packet has a source address with a corresponding prefix in the routing table; loose mode does not check whether the interface expects to receive a packet with a specific source address prefix.

Loose uRPF check is supported for ECMP, IGP shortcuts and VPRN MP-BGP routes. Packets coming from a source that matches any ECMP, IGP shortcut or VPRN MP-BGP route will pass the uRPF check even when the uRPF mode is set to strict mode on the incoming interface.

If there is a default route in the router and the packets are coming from the interface that the default route is pointing to, the following can occur:

- If uRPF is in loose mode, uRPF check succeeds.
 - If uRPF is in strict mode, then:
 - uRPF check succeeds if one of the following is true:
 - The source IP address of the packet matches any of the routes that can be originated from this specific interface.
 - The source IP address of the packet doesn't match any specific routes in the forwarding table.
 - uRPF check fails if the following is true:
 - The source IP address of the packet matches a route in the forwarding table, but the next-hop of the route is not on this specific interface.

If the source IP address matches a discard/blackhole route, the packet is treated as if it failed uRPF check.

Creating an IP Address Range

An IP address range can be reserved for exclusive use for services by defining the **config>router>service-prefix** command. When the service is configured, the IP address must be in the range specified as a service prefix. If no service prefix command is configured, then no limitation exists.

Addresses in the range of a service prefix can be allocated to a network port unless the *exclusive* parameter is used. Then, the address range is exclusively reserved for services.

When defining a range that is a superset of a previously defined service prefix, the subset will be replaced with the superset definition. For example, if a service prefix exists for 10.10.10.0/24, and a new service prefix is configured as 10.10.0.0/16, then the old address (10.10.10.0/24) will be replaced with the new address (10.10.0.0/16).

When defining a range that is a subset of a previously defined service prefix, the subset will replace the existing superset, providing addresses used by services are not affected; for example, if a service prefix exists for 10.10.0.0/16, and a new service prefix is configured as 10.10.10.0/24, then the 10.10.0.0/16 entry will be removed, provided that no services are configured that use 10.10.x.x addresses other than 10.10.10.x.

Router ID

The router ID, a 32-bit number, uniquely identifies the router within an autonomous system (AS) (see [Autonomous Systems \(AS\) on page 25](#)). In protocols such as OSPF, routing information is exchanged between areas, groups of networks that share routing information. It can be set to be the same as the loopback address. The router ID is used by both OSPF and BGP routing protocols in the routing table manager instance.

There are several ways to obtain the router ID. On each 7750 SR-Series router, the router ID can be derived in the following ways.

- Define the value in the **config>router** *router-id* context. The value becomes the router ID.
- Configure the system interface with an IP address in the **config>router>interface** *ip-int-name* context. If the router ID is not manually configured in the **config>router** *router-id* context, then the system interface acts as the router ID.
- If neither the system interface or router ID are implicitly specified, then the router ID is inherited from the last four bytes of the MAC address.
- The router can be derived on the protocol level; for example, BGP.

Autonomous Systems (AS)

Networks can be grouped into areas. An area is a collection of network segments within an AS that have been administratively assigned to the same group. An area's topology is concealed from the rest of the AS, which results in a significant reduction in routing traffic.

Routing in the AS takes place on two levels, depending on whether the source and destination of a packet reside in the same area (intra-area routing) or different areas (inter-area routing). In intra-area routing, the packet is routed solely on information obtained within the area; no routing information obtained from outside the area can be used. This protects intra-area routing from the injection of bad routing information.

Routers that belong to more than one area are called area border routers. All routers in an AS do not have an identical topological database. An area border router has a separate topological database for each area it is connected to. Two routers, which are not area border routers, belonging to the same area, have identical area topological databases.

Autonomous systems share routing information, such as routes to each destination and information about the route or AS path, with other ASs using BGP. Routing tables contain lists of next hops, reachable addresses, and associated path cost metrics to each router. BGP uses the information and path attributes to compile a network topology.

Confederations

Configuring confederations is optional and should only be implemented to reduce the IBGP mesh inside an AS. An AS can be logically divided into smaller groupings called sub-confederations and then assigned a confederation ID (similar to an autonomous system number). Each sub-confederation has fully meshed IBGP and connections to other ASs outside of the confederation.

The sub-confederations have EBGP-type peers to other sub-confederations within the confederation. They exchange routing information as if they were using IBGP. Parameter values such as next hop, metric, and local preference settings are preserved. The confederation appears and behaves like a single AS.

Confederations have the following characteristics.

- A large AS can be sub-divided into sub-confederations.
- Routing *within* each sub-confederation is accomplished via IBGP.
- EBGP is used to communicate *between* sub-confederations.
- BGP speakers within a sub-confederation must be fully meshed.
- Each sub-confederation (member) of the confederation has a different AS number. The AS numbers used are typically in the private AS range of 64512 — 65535.

To migrate from a non-confederation configuration to a confederation configuration requires a major topology change and configuration modifications on each participating router. Setting BGP policies to select an optimal path through a confederation requires other BGP modifications.

There are no default confederations. Router confederations must be explicitly created. [Figure 1](#) depicts a confederation configuration example.

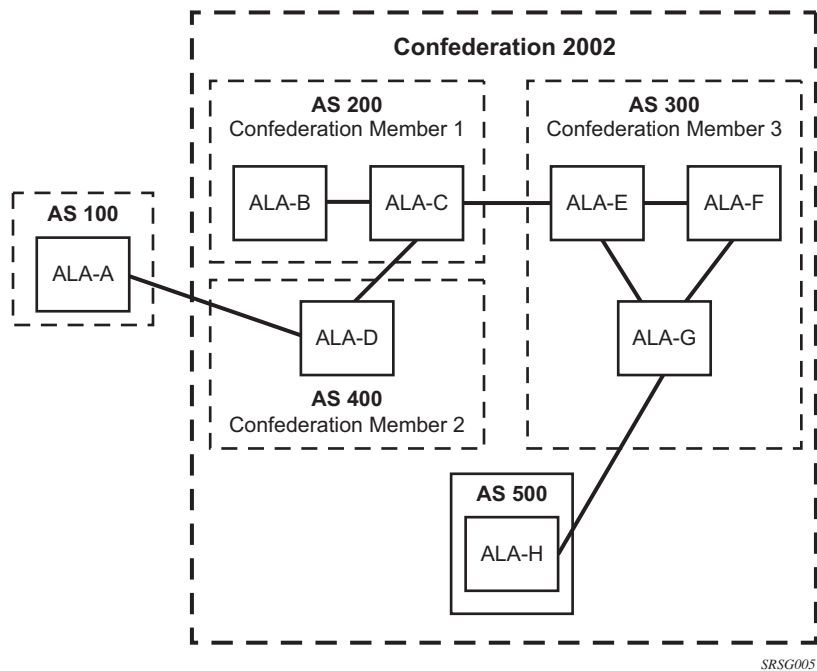


Figure 1: Confederation Configuration

Proxy ARP

Proxy ARP is the technique in which a router answers ARP requests intended for another node. The router appears to be present on the same network as the “real” node that is the target of the ARP and takes responsibility for routing packets to the “real” destination. Proxy ARP can help nodes on a subnet reach remote subnets without configuring routing or a default gateway.

Typical routers only support proxy ARP for directly attached networks; the 7750 SR-Series is targeted to support proxy ARP for all known networks in the routing instance where the virtual interface proxy ARP is configured.

In order to support DSLAM and other edge like environments, proxy ARP supports policies that allow the provider to configure prefix lists that determine for which target networks proxy ARP will be attempted and prefix lists that determine for which source hosts proxy ARP will be attempted.

In addition, the proxy ARP implementation will support the ability to respond for other hosts within the local subnet domain. This is needed in environments such as DSL where multiple hosts are in the same subnet but can not reach each other directly.

Static ARP is used when a 7750 SR-Series needs to know about a device on an interface that cannot or does not respond to ARP requests. Thus, the configuration can state that if it has a packet with a certain IP address to send it to the corresponding ARP address. Use proxy ARP so the router responds to ARP requests on behalf of another device.

DHCP Relay

Refer to 7750 SR OS Triple Play Guide for information about DHCP and support provided by the 7750 SR as well as configuration examples.

Internet Protocol Versions

The TiMOS implements IP routing functionality, providing support for IP version 4 (IPv4) and IP version 6 (IPv6). IP version 6 (RFC 1883, *Internet Protocol, Version 6 (IPv6)*) is a newer version of the Internet Protocol designed as a successor to IP version 4 (IPv4) (RFC-791, *Internet Protocol*). The changes from IPv4 to IPv6 effect the following categories:

- Expanded addressing capabilities — IPv6 increases the IP address size from 32 bits (IPv4) to 128 bits, to support more levels of addressing hierarchy, a much greater number of addressable nodes, and simpler auto-configuration of addresses. The scalability of multicast routing is improved by adding a scope field to multicast addresses. Also, a new type of address called an anycast address is defined that is used to send a packet to any one of a group of nodes.
- Header format simplification — Some IPv4 header fields have been dropped or made optional to reduce the common-case processing cost of packet handling and to limit the bandwidth cost of the IPv6 header.
- Improved support for extensions and options — Changes in the way IP header options are encoded allows for more efficient forwarding, less stringent limits on the length of options, and greater flexibility for introducing new options in the future.
- Flow labeling capability — The capability to enable the labeling of packets belonging to particular traffic flows for which the sender requests special handling, such as non-default quality of service or “real-time” service was added in IPv6.
- Authentication and privacy capabilities — Extensions to support authentication, data integrity, and (optional) data confidentiality are specified for IPv6.

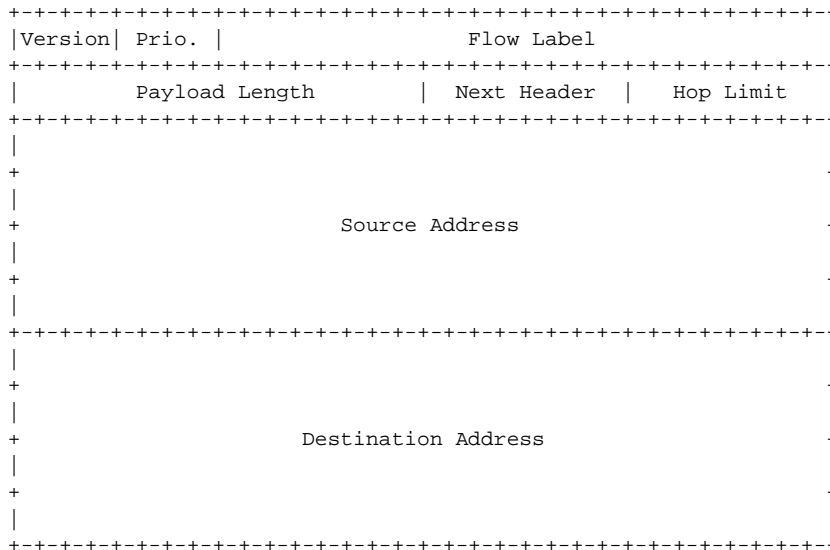


Figure 2: IPv6 Header Format

Table 2: IPv6 Header Field Descriptions

Field	Description
Version	4-bit Internet Protocol version number = 6.
Prio.	4-bit priority value.
Flow Label	24-bit flow label.
Payload Length	16-bit unsigned integer. The length of payload, for example, the rest of the packet following the IPv6 header, in octets. If the value is zero, the payload length is carried in a jumbo payload hop-by-hop option.
Next Header	8-bit selector. Identifies the type of header immediately following the IPv6 header. This field uses the same values as the IPv4 protocol field.
Hop Limit	8-bit unsigned integer. Decremented by 1 by each node that forwards the packet. The packet is discarded if the hop limit is decremented to zero.
Source Address	128-bit address of the originator of the packet.
Destination Address	128-bit address of the intended recipient of the packet (possibly not the ultimate recipient if a routing header is present).

IPv6 Applications

Examples of the IPv6 applications supported by the TiMOS include:

- IPv6 Internet exchange peering — [Figure 3](#) shows an IPv6 Internet exchange where multiple ISPs peer over native IPv6.

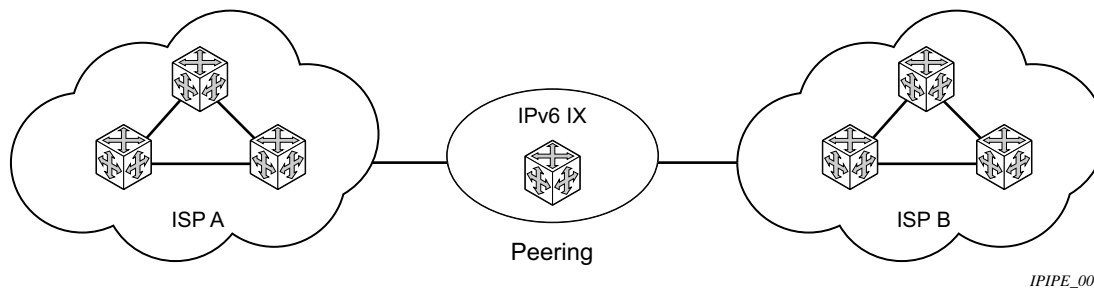


Figure 3: IPv6 Internet Exchange

- IPv6 transit services — [Figure 4](#) shows IPv6 transit provided by an ISP.

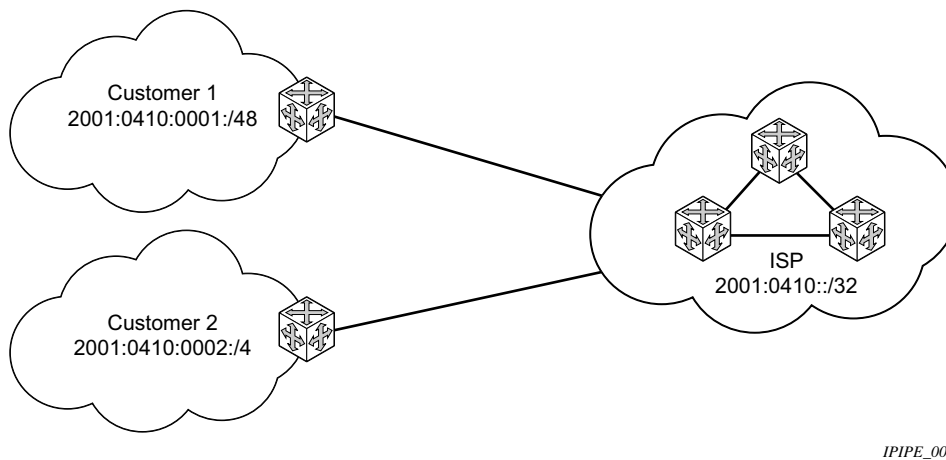


Figure 4: IPv6 Transit Services

- IPv6 services to enterprise customers and home users — [Figure 5](#) shows IPv6 connectivity to enterprise and home broadband users.

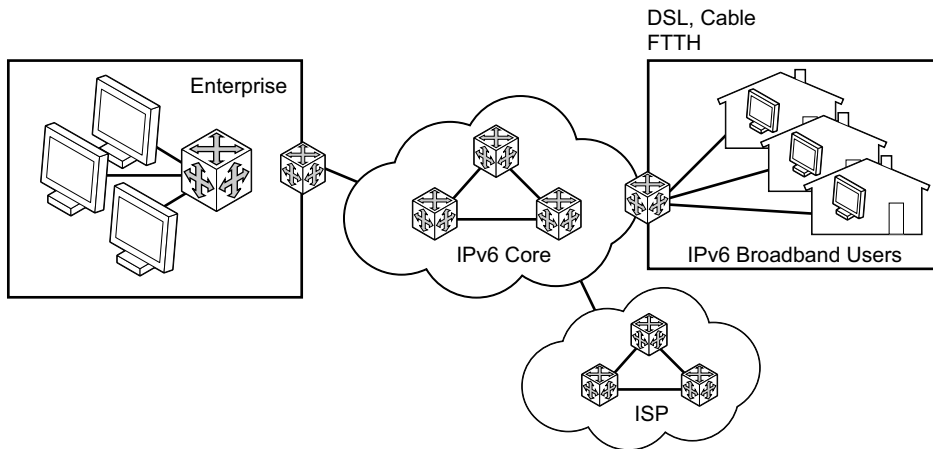


Figure 5: IPv6 Services to Enterprise Customers and Home Users

- IPv6 over IPv4 relay services — IPv6 over IPv4 tunnels are one of many IPv6 transition methods to support IPv6 in an environment where not only IPv4 exists but native IPv6 networks depend on IPv4 for greater IPv6 connectivity. 7750 SR OS 7.4.50 ESS7710 SR OS supports dynamic IPv6 over IPv4 tunneling. The ipv4 source and destination address are taken from configuration, the source address is the ipv4 system address and the ipv4 destination is the next hop from the configured 6over4 tunnel.

IPv6 over IPv4 is an automatic tunnel method that gives a prefix to the attached IPv6 network. [Figure 6](#) shows IPv6 over IPv4 tunneling to transition from IPv4 to IPv6.

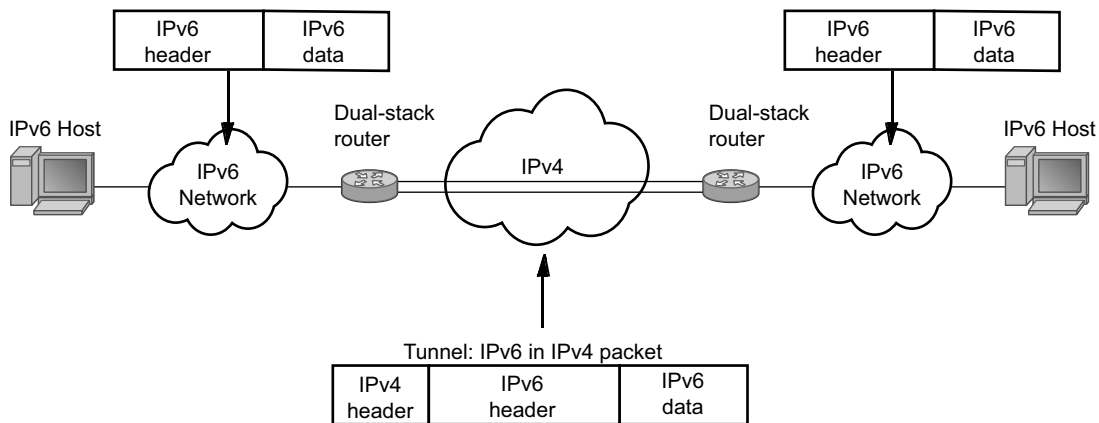


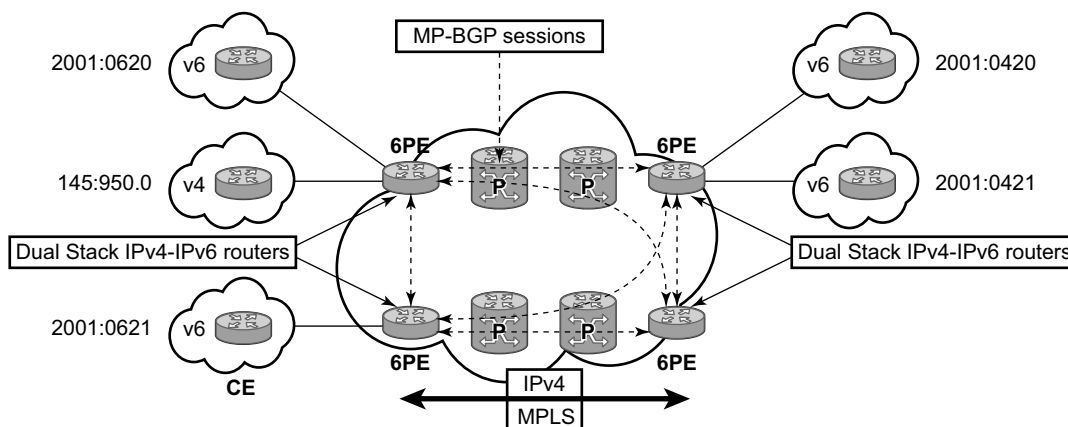
Figure 6: IPv6 over IPv4 Tunnels

DNS

The DNS client is extended to use IPv6 as transport and to handle the IPv6 address in the DNS AAAA resource record from an IPv4 or IPv6 DNS server. An assigned name can be used instead of an IPv6 address since IPv6 addresses are more difficult to remember than IPv4 addresses.

IPv6 Provider Edge Router over MPLS (6PE)

6PE allows IPv6 domains to communicate with each other over an IPv4 MPLS core network. This architecture requires no backbone infrastructure upgrades and no re-configuration of core routers, because forwarding is purely based on MPLS labels. 6PE is a cost effective solution for IPv6 deployment.



Fig_30

Figure 7: Example of a 6PE Topology within One AS

6PE Control Plane Support

The 6PE MP-BGP routers support:

- IPv4/IPv6 dual-stack
 - MP-BGP can be used between 6PE routers to exchange IPv6 reachability information.
 - The 6PE routers exchange IPv6 prefixes over MP-BGP sessions running over IPv4 transport. The MP-BGP AFI used is IPv6 (value 2).
 - An IPv4 address of the 6PE router is encoded as an IPv4-mapped IPv6 address in the BGP next-hop field of the IPv6 NLRI. By default, the IPv4 address that is used for peering is used. It is configurable through the route policies.
 - The 6PE router binds MPLS labels to the IPv6 prefixes it advertises. The SAFI used in MP-BGP is the SAFI (value 4) label. The router uses the IPv6 explicit null (value 2) label for all the IPv6 prefixes that it advertises and can accept an arbitrary label from its peers.
 - LDP is used to create the MPLS full mesh between the 6PE routers and the IPv4 addresses that are embedded in the next-hop field are reachable by LDP LSPs. The ingress 6PE router uses the LDP LSPs to reach remote 6PE routers.
-

6PE Data Plane Support

The ingress 6PE router can push two MPLS labels to send the packets to the egress 6PE router. The top label is an LDP label used to reach the egress 6PE router. The bottom label is advertised in MP-BGP by the remote 6PE router. Typically, the IPv6 explicit null (value 2) label is used but an arbitrary value can be used when the remote 6PE router is from a vendor other than Alcatel-Lucent.

The egress 6PE router pops the top LDP tunnel label. It sees the IPv6 explicit null label, which indicates an IPv6 packet is encapsulated. It also pops the IPv6 explicit null label and performs an IPv6 route lookup to find out the next hop for the IPv6 packet.

Bi-directional Forwarding Detection

Bi-directional Forwarding Detection (BFD) is a light-weight, low-overhead, short-duration detection of failures in the path between two systems. If a system stops receiving BFD messages for a long enough period (based on configuration) it is assumed that a failure along the path has occurred and the associated protocol or service is notified of the failure.

BFD can provide a mechanism used for liveness detection over any media, at any protocol layer, with a wide range of detection times and overhead, to avoid a proliferation of different methods.

SR OS supports asynchronous mode of BFD in which BFD messages are set to test the path between systems.

If multiple protocols are running between the same two BFD endpoints then only a single BFD session is established, and all associated protocols will share the single BFD session.

In addition to the typical asynchronous mode, there is also an echo function defined within *draft-ietf-bfd-base-04.txt*, *Bi-directional Forwarding Detection*, that allows either of the two systems to send a sequence of BFD echo packets to the other system, which loops them back within that system's forwarding plane. If a number of these echo packets are lost then the BFD session is declared down.

BFD Control Packet

The base BFD specification does not specify the encapsulation type to be used for sending BFD control packets. Instead it is left to the implementers to use the appropriate encapsulation type for the medium and network. The encapsulation for BFD over IPv4 and IPv6 networks is specified in *draft-ietf-bfd-v4v6-1hop-04.txt*, *BFD for IPv4 and IPv6 (Single Hop)*. This specification requires that BFD control packets be sent over UDP with a destination port number of 3784 and the source port number must be within the range 49152 to 65535.

In addition, the TTL of all transmitted BFD packets must have an IP TTL of 255. All BFD packets received must have an IP TTL of 255 if authentication is not enabled. If authentication is enabled, the IP TTL should be 255 but can still be processed if it is not (assuming the packet passes the enabled authentication mechanism).

If multiple BFD sessions exist between two nodes, the BFD discriminator is used to de-multiplex the BFD control packet to the appropriate BFD session.

Control Packet Format

The BFD control packet has 2 sections, a mandatory section and an optional authentication section.

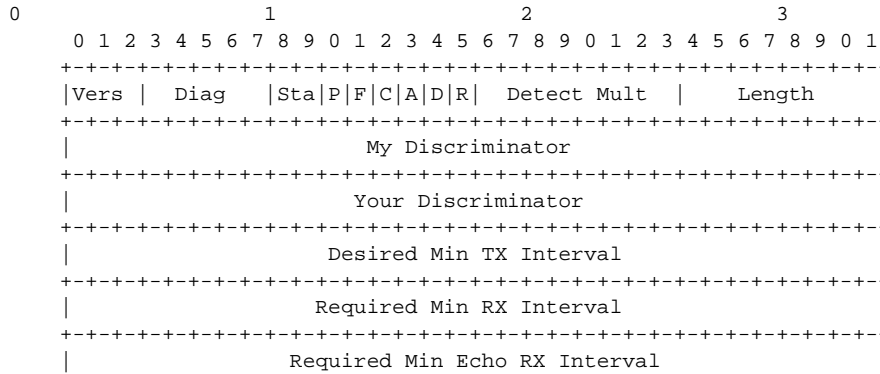


Figure 8: Mandatory Frame Format

Table 3: BFD Control Packet Field Descriptions

Field	Description
Vers	The version number of the protocol. The initial protocol version is 0.
Diag	A diagnostic code specifying the local system’s reason for the last transition of the session from Up to some other state. Possible values are: 0-No diagnostic 1-Control detection time expired 2-Echo function failed 3-Neighbor signaled session down 4-Forwarding plane reset 5-Path down 6-Concatenated path down 7-Administratively down
H Bit	The “I Hear You” bit. This bit is set to 0 if the transmitting system either is not receiving BFD packets from the remote system, or is in the process of tearing down the BFD session for some reason. Otherwise, during normal operation, it is set to 1.
D Bit	The “demand mode” bit. (Not supported)
P Bit	The poll bit. If set, the transmitting system is requesting verification of connectivity, or of a parameter change.

Table 3: BFD Control Packet Field Descriptions (Continued)

Field	Description
F Bit	The final bit. If set, the transmitting system is responding to a received BFD control packet that had the poll (P) bit set.
Rsvd	Reserved bits. These bits must be zero on transmit and ignored on receipt.
Detect Mult	
Length	Length of the BFD control packet, in bytes.
My Discriminator	A unique, nonzero discriminator value generated by the transmitting system, used to demultiplex multiple BFD sessions between the same pair of systems.
Your Discriminator	The discriminator received from the corresponding remote system. This field reflects back the received value of my discriminator, or is zero if that value is unknown.
Desired Min TX Interval	This is the minimum interval, in microseconds, that the local system would like to use when transmitting BFD control packets.
Required Min RX Interval	This is the minimum interval, in microseconds, between received BFD control packets that this system is capable of supporting.
Required Min Echo RX Interval	This is the minimum interval, in microseconds, between received BFD echo packets that this system is capable of supporting. If this value is zero, the transmitting system does not support the receipt of BFD echo packets.

BFD for RSVP-TE

BFD will notify RSVP-TE if the BFD session goes down, in addition to notifying other configured BFD enabled protocols (for example, OSPF, IS-IS and PIM). This notification will then be used by RSVP-TE to begin the reconvergence process. This greatly accelerates the overall RSVP-TE response to network failures.

All encapsulation types supporting IPv4 and IPv6 is supported as all BFD packets are carried in IPv4 and IPv6 packets; this includes Frame Relay and ATM.

BFD is supported on the following interfaces:

- Ethernet (Null, Dot1Q & QinQ)
- POS interfaces (including APS)
- Channelized interfaces (PPP, HDLC, FR & ATM) on ASAP (priority 1) and channelized MDAs (Priority 2) including link bundles and IMA
- Spoke SDPs
- LAG interfaces
- VSM interfaces

Echo Support

Echo support for BFD calls for the support of the echo function within BFD. By supporting BFD echo, the 7750 SR loops back received BFD echo messages to the original sender based on the destination IP address in the packet.

The echo function is useful when the local router does not have sufficient CPU power to handle a periodic polling rate at a high frequency. As a result, it relies on the echo sender to send a high rate of BFD echo messages through the receiver node, which is only processed by the receiver's forwarding path. This allows the echo sender to send BFD echo packets at any rate.

The 7750 does not support the sending of echo requests, only the response to echo requests.

BFD Support for BGP

This feature enhancement allows BGP peers to be associated with the BFD session. If the BFD session failed, then BGP peering will also be torn down.

Centralized BFD

The following applications of centralized BFD require BFD to run on the SF/CPM.

IES Over Spoke SDP

One application for a central BFD implementation is so BFD can be supported over spoke SDPs used to inter-connection IES or VPRN interfaces. When there are spoke SDPs for inter-connections over an MPLS network between two routers, BFD is used to speed up failure detections between nodes so re-convergence of unicast and multicast routing information can begin as quickly as possible.

The MPLS LSP associated with the spoke SDP can enter or egress from multiple interfaces on the box. BFD for these types of interfaces can not exist on the IOM itself.

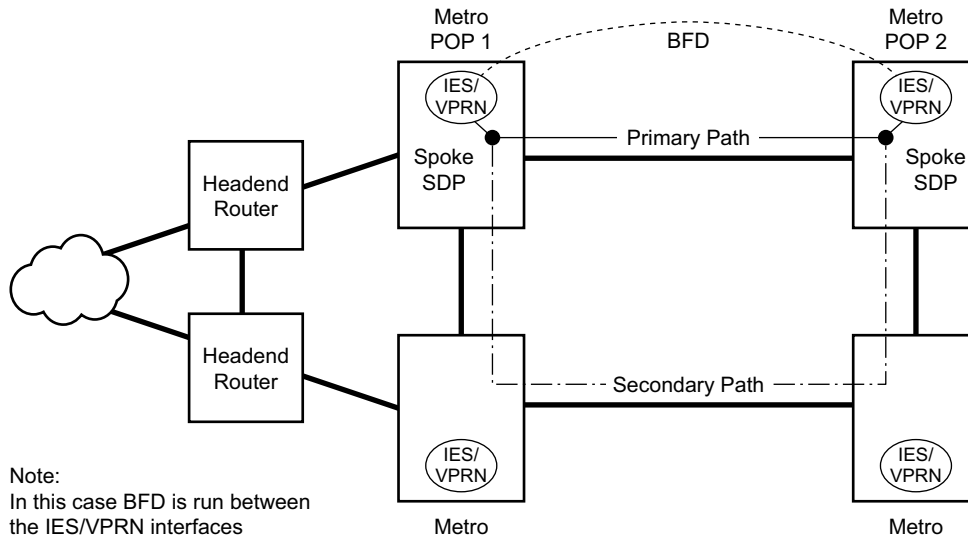
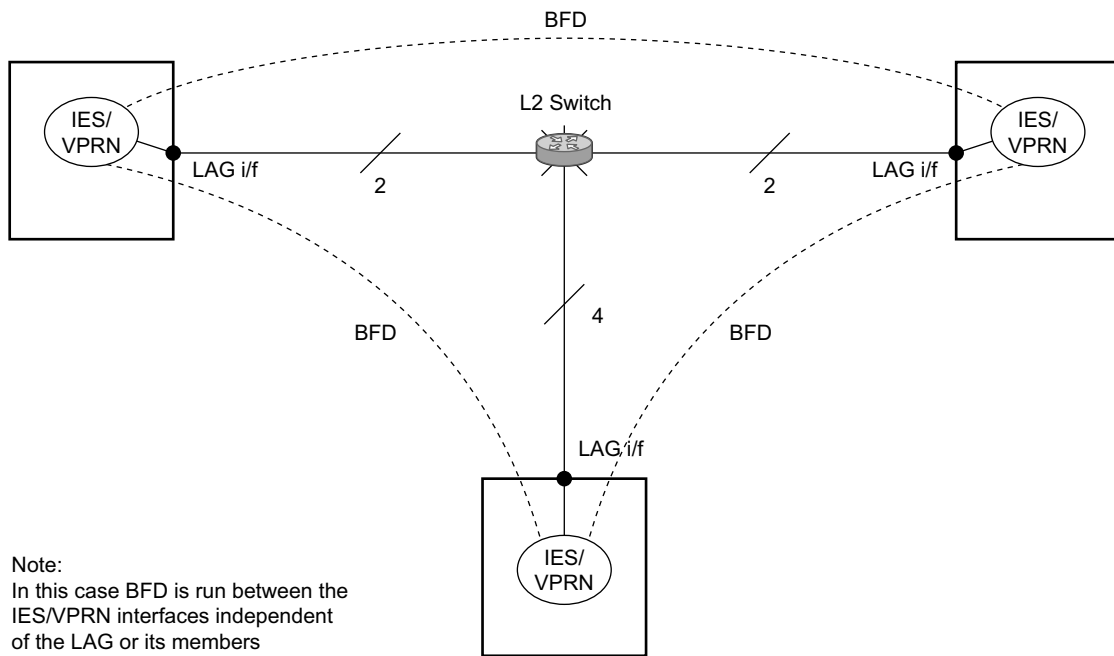


Figure 9: BFD for IES/VPRN over Spoke SDP

BFD Over LAG and VSM Interfaces

A second application for a central BFD implementation is so BFD can be supported over LAG or VSM interface. This is useful where BFD is not used for link failure detection but instead for node failure detection. In this application, the BFD session can run between the IP interfaces associated with the LAG or VSM interface, but there is only one session between the 2 nodes. There is no requirement for the message flow to across a certain link, or VSM, to get to the remote node.



Fig_32

Figure 10: BFD over LAG

Process Overview

The following items are components to configure basic router parameters.

- **Interface** — A logical IP routing interface. Once created, attributes like an IP address, port, link aggregation group or the system can be associated with the IP interface.
- **Address** — The address associates the device's system name with the IP system address. An IP address must be assigned to each IP interface.
- **System interface** — This creates an association between the logical IP interface and the system (loopback) address. The system interface address is the circuitless address (loopback) and is used by default as the router ID for protocols such as OSPF and BGP.
- **Router ID** — (Optional) The router ID specifies the router's IP address.
- **Autonomous system** — (Optional) An autonomous system (AS) is a collection of networks that are subdivided into smaller, more manageable areas.
- **Confederation** — (Optional) Creates confederation autonomous systems within an AS to reduce the number of IBGP sessions required within an AS.

Configuration Notes

The following information describes router configuration caveats.

- A system interface and associated IP address should be specified.
- Boot options file (BOF) parameters must be configured prior to configuring router parameters.
- Confederations can be configured before protocol connections (such as BGP) and peering parameters are configured.
- IPv6 interfaces and associated routing protocols may only be configured on the following systems:
 - Chassis systems running in chassis mode c or d.
 - Chassis systems running in mixed-mode with IPv6 functionality limited to those interface on slots with IOM3-XP/IMMs or later line cards.
 - 7750 SR-c4/12.
- An iom2-20g and a SFM2 card are required to enable the IPv6 CPM filter and per-peer queuing functionality.

Configuring an IP Router with CLI

This section provides information to configure an IP router.

Topics in this section include:

- [Router Configuration Overview on page 46](#)
- [Basic Configuration on page 47](#)
- [Common Configuration Tasks on page 48](#)
 - [Configuring a System Name on page 48](#)
 - [Configuring Interfaces on page 49](#)
 - [Configuring a System Interface on page 49](#)
 - [Configuring a Network Interface on page 49](#)
 - [Configuring IPv6 Parameters on page 51](#)
 - [Configuring Proxy ARP on page 66](#)
 - [Creating an IP Address Range on page 68](#)
 - [Configuring an Autonomous System on page 74](#)
 - [Configuring Overload State on a Single SFM on page 75](#)
 - [Service Management Tasks on page 76](#)
- [Service Management Tasks on page 76](#)
 - [Changing the System Name on page 76](#)
 - [Modifying Interface Parameters on page 77](#)
 - [Deleting a Logical IP Interface on page 78](#)

Router Configuration Overview

In a 7750 SR, an interface is a logical named entity. An interface is created by specifying an interface name under the `configure>router` context. This is the global router configuration context where objects like static routes are defined. An IP interface name can be up to 32 alphanumeric characters long, must start with a letter, and is case-sensitive; for example, the interface name “1.1.1.1” is not allowed, but “int-1.1.1.1” is allowed.

To create an interface on an Alcatel-Lucent 7750 SR-Series router, the basic configuration tasks that must be performed are:

- Assign a name to the interface.
- Associate an IP address with the interface.
- Associate the interface with a network interface or the system interface.
- Configure appropriate routing protocols.

A system interface and network interface should be configured.

System Interface

The system interface is associated with the network entity (such as a specific 7750 SR-Series), not a specific interface. The system interface is also referred to as the loopback address. The system interface is associated during the configuration of the following entities:

- The termination point of service tunnels
- The hops when configuring MPLS paths and LSPs
- The addresses on a target router for BGP and LDP peering.

The system interface is used to preserve connectivity (when routing reconvergence is possible) when an interface fails or is removed. The system interface is used as the router identifier. A system interface must have an IP address with a 32-bit subnet mask.

Network Interface

A network interface can be configured on one of the following entities :

- A physical or logical port
- A SONET/SDH channel

Basic Configuration

NOTE: Refer to each specific chapter for specific routing protocol information and command syntax to configure protocols such as OSPF and BGP.

The most basic router configuration must have the following:

- System name
- System address

The following example displays a router configuration:

```
A:ALA-A> config# info
. . .
#-----
# Router Configuration
#-----
    router
        interface "system"
            address 10.10.10.103/32
        exit
        interface "to-104"
            address 10.0.0.103/24
            port 1/1/1
        exit
        exit
        autonomous-system 100
        confederation 1000 members 100 200 300
    router-id 10.10.10.103
. . .
    exit
    isis
    exit
. . .
#-----
A:ALA-A> config#
```

Common Configuration Tasks

The following sections describe basic system tasks.

- [Configuring a System Name on page 48](#)
 - [Configuring Interfaces on page 49](#)
 - [Configuring a System Interface on page 49](#)
 - [Configuring a Network Interface on page 49](#)
 - [Configuring Proxy ARP on page 66](#)
 - [Creating an IP Address Range on page 68](#)
 - [Configuring an Autonomous System on page 74](#)
 - [Configuring Overload State on a Single SFM on page 75](#)
-

Configuring a System Name

Use the `system` command to configure a name for the device. The name is used in the prompt string. Only one system name can be configured. If multiple system names are configured, the last one configured will overwrite the previous entry.

If special characters are included in the system name string, such as spaces, #, or ?, the entire string must be enclosed in double quotes. Use the following CLI syntax to configure the system name:

CLI Syntax: `config# system`
`name system-name`

Example: `config# system`
`config>system# name ALA-A`
`ALA-A>config>system# exit all`
`ALA-A#`

The following example displays the system name output.

```
A:ALA-A>config>system# info
#-----
# System Configuration
#-----
      name "ALA-A"
      location "Mt.View, CA, NE corner of FERG 1 Building"
      coordinates "37.390, -122.05500 degrees lat."
      snmp
      exit
      . . .
      exit
#-----
```


Configuring Interfaces

The following command sequences create a system and a logical IP interface. The system interface assigns an IP address to the interface, and then associates the IP interface with a physical port. The logical interface can associate attributes like an IP address or port.

Note that the system interface cannot be deleted.

Configuring a System Interface

To configure a system interface:

CLI Syntax:

```
config>router
  interface interface-name
    address {[ip-address/mask]|[ip-address] [netmask]}
      [broadcast {all-ones|host-ones}]
    secondary {[address/mask|ip-address][netmask]}
      [broadcast {all-ones|host-ones}] [igp-inhibit]
```

Configuring a Network Interface

To configure a network interface:

CLI Syntax:

```
config>router
  interface interface-name
    address ip-addr{/mask-length / mask} [broadcast {all-ones | host-ones}]
    cflowd {acl | interface}
    egress
      filter ip ip-filter-id
      filter ipv6 ipv6-filter-id
    ingress
      filter ip ip-filter-id
      filter ipv6 ipv6-filter-id
    port port-name
```

Common Configuration Tasks

The following displays an IP configuration output showing interface information.

```
A:ALA-A>config>router# info
#-----
# IP Configuration
#-----
    interface "system"
      address 10.10.0.4/32
    exit
    interface "to-ALA-2"
      address 10.10.24.4/24
      port 1/1/1
      egress
        filter ip 10
      exit
    exit
...
#-----
A:ALA-A>config>router#
```

To enable CPU protection:

CLI Syntax: config>router
 interface *interface-name*
 cpu-protection *policy-id*

CPU protection policies are configured in the **config>sys>security>cpu-protection** context. See the 7750 SR OS System Management Guide.

Configuring IPv6 Parameters

IPv6 interfaces and associated routing protocols may only be configured on the following systems:

- Chassis systems running in chassis mode c or d.
- Chassis systems running in mixed-mode, with IPv6 functionality limited to those interface on slots with IOM3-XP/IMMs or later line cards.
- 7750 SR-c4/12.

The following displays the interface configuration showing the IPv6 default configuration when IPv6 is enabled on the interface.

```
A:ALA-49>config>router>if>ipv6# info detail
-----
` port 1/2/37
  ipv6
    packet-too-big 100 10
    param-problem 100 10
    redirects 100 10
    time-exceeded 100 10
    unreachablees 100 10
  exit
-----
A:ALA-49>config>router>if>ipv6# exit all
```

Use the following CLI syntax to configure IPv6 parameters on a router interface.

CLI Syntax: config>router# interface *interface-name*
 port *port-name*
 ipv6
 address {*ipv6-address/prefix-length*} [*eui-64*]
 icmp6
 packet-too-big [*number seconds*]
 param-problem [*number seconds*]
 redirects [*number seconds*]
 time-exceeded [*number seconds*]
 unreachablees [*number seconds*]
 neighbor *ipv6-address mac-address*

The following displays a configuration example showing interface information.

```
A:ALA-49>config>router>if# info
-----
address 10.11.10.1/24
port 1/2/37
ipv6
```

Common Configuration Tasks

```
        address 10::1/24
    exit
-----
A:ALA-49>config>router>if#
```

Configuring IPv6 Over IPv4 Parameters

This section provides several examples of the features that must be configured in order to implement IPv6 over IPv4 relay services.

- [Tunnel Ingress Node on page 53](#)
 - [Learning the Tunnel Endpoint IPv4 System Address on page 55](#)
 - [Configuring an IPv4 BGP Peer on page 56](#)
 - [An Example of a IPv6 Over IPv4 Tunnel Configuration on page 57](#)
- [Tunnel Egress Node on page 58](#)
 - [Learning the Tunnel Endpoint IPv4 System Address on page 59](#)
 - [Configuring an IPv4 BGP Peer on page 60](#)
 - [An Example of a IPv6 Over IPv4 Tunnel Configuration on page 61](#)

Tunnel Ingress Node

This configuration shows how the interface through which the IPv6 over IPv4 traffic leaves the node. This must be configured on a network interface.

CLI Syntax:

```
config>router
  static-route ::C8C8:C802/128 indirect 200.200.200.2
  interface ip-int-name
    address {ip-address/mask|ip-address netmask} [broadcast
    all-ones|host-ones]
    port port-name
```

The following displays configuration output showing interface configuration.

```
A:ALA-49>configure>router# info
-----
...
    interface "ip-1.1.1.1"
      address 1.1.1.1/30
      port 1/1/1
    exit
...
-----
A:ALA-49>configure>router#
```

Common Configuration Tasks

Both the IPv4 and IPv6 system addresses must to configured

CLI Syntax: config>router
 interface *ip-int-name*
 address {*ip-address/mask*|*ip-address netmask*} [*broad-*
 cast all-ones|*host-ones*]
 ipv6
 address *ipv6-address/prefix-length* [*eui-64*]

The following displays configuration output showing interface information.

```
A:ALA-49>configure>router# info
-----
...
    interface "system"
        address 200.200.200.1/32
        ipv6
            address 3FFE::C8C8:C801/128
        exit
    exit
...
-----
A:ALA-49>configure>router#
```

Learning the Tunnel Endpoint IPv4 System Address

This configuration displays the OSPF configuration to learn the IPv4 system address of the tunnel endpoint.

CLI Syntax: `config>router`
`ospf`
`area area-id`
`interface ip-int-name`

The following displays a configuration showing OSPF output.

```
A:ALA-49>configure>router# info
-----
...
    ospf
      area 0.0.0.0
        interface "system"
        exit
        interface "ip-1.1.1.1"
        exit
      exit
    exit
-----
A:ALA-49>configure>router#
```

Configuring an IPv4 BGP Peer

This configuration display the commands to configure an IPv4 BGP peer with (IPv4 and) IPv6 protocol families.

CLI Syntax:

```
config>router
  bgp
    export policy-name [policy-name...(upto 5 max)]
    router-id ip-address
    group name
      family [ipv4][vpn-ipv4] [ipv6] [mcast-ipv4]
      type {internal|external}
      neighbor ip-address
        local-as as-number [private]
        peer-as as-number
```

The following displays a configuration showing BGP output.

```
A:ALA-49>configure>router# info
-----
...
      bgp
        export "ospf3"
        router-id 200.200.200.1
        group "main"
          family ipv4 ipv6
          type internal
          neighbor 200.200.200.2
            local-as 1
            peer-as 1
          exit
        exit
      exit
    exit
  ...
-----
A:ALA-49>configure>router#
```


An Example of a IPv6 Over IPv4 Tunnel Configuration

The IPv6 address is the next-hop as it is received through BGP. The IPv4 address is the system address of the tunnel's endpoint static-route ::C8C8:C802/128 indirect 200.200.200.2.

This configuration displays an example to configure a policy to export IPv6 routes into BGP.

```

CLI Syntax: config>router
                bgp
                export policy-name [policy-name...(upto 5 max)]
                router-id ip-address
                group name
                    family [ipv4] [vpn-ipv4] [ipv6] [mcast-ipv4]
                    type {internal|external}
                    neighbor ip-address
                        local-as as-number [private]
                        peer-as as-number

```

The following displays the configuration output.

```

A:ALA-49>configure>router# info
-----
...
    policy-options
      policy-statement "ospf3"
        description "Plcy Stmt For 'From ospf3 To bgp'"
        entry 10
          description "Entry From Protocol ospf3 To bgp"
          from
            protocol ospf3
          exit
          to
            protocol bgp
          exit
          action accept
          exit
        exit
      exit
    exit
  ...
-----
A:ALA-49>configure>router#

```

Tunnel Egress Node

This configuration shows how the interface through which the IPv6 over IPv4 traffic leaves the node. It must be configured on a network interface. Both the IPv4 and IPv6 system addresses must be configured.

CLI Syntax:

```
config>router
configure router static-route ::C8C8:C801/128 indirect
200.200.200.1
interface ip-int-name
address {ip-address/mask>|ip-address netmask} [broadcast all-ones|host-ones]
ipv6
address ipv6-address/prefix-length [eui-64]
port port-name
```

The following displays interface configuration.

```
A:ALA-49>configure>router# info
-----
...
interface "ip-1.1.1.2"
address 1.1.1.2/30
port 1/1/1
exit
interface "system"
address 200.200.200.2/32
ipv6
address 3FFE::C8C8:C802/128
exit
exit
-----
```

Learning the Tunnel Endpoint IPv4 System Address

This configuration displays the OSPF configuration to learn the IPv4 system address of the tunnel endpoint.

CLI Syntax: config>router
ospf
area *area-id*
interface *ip-int-name*

The following displays OSPF configuration information.

```
A:ALA-49>configure>router# info
-----
...
    ospf
      area 0.0.0.0
        interface "system"
        exit
        interface "ip-1.1.1.2"
        exit
      exit
    exit
-----
A:ALA-49>configure>router#
```

Configuring an IPv4 BGP Peer

This configuration display the commands to configure an IPv4 BGP peer with (IPv4 and) IPv6 protocol families.

CLI Syntax:

```
config>router
  bgp
    export policy-name [policy-name...(upto 5 max)]
    router-id ip-address
    group name
      family [ipv4] [vpn-ipv4] [ipv6] [mcast-ipv4]
      type {internal|external}
      neighbor ip-address
        local-as as-number [private]
        peer-as as-number
```

The following displays the IPv4 BGP peer configuration example.

```
A:ALA-49>configure>router# info
-----
...
      bgp
        export "ospf3"
        router-id 200.200.200.2
        group "main"
          family ipv4 ipv6
          type internal
          neighbor 200.200.200.1
            local-as 1
            peer-as 1
          exit
        exit
      exit
    exit
  ...
-----
A:ALA-49>configure>router#
```

An Example of a IPv6 Over IPv4 Tunnel Configuration

The IPv6 address is the next-hop as it is received through BGP. The IPv4 address is the system address of the tunnel's endpoint static-route ::C8C8:C802/128 indirect 200.200.200.2

This configuration displays an example to configure a policy to export IPv6 routes into BGP.

```

CLI Syntax: config>router
                bgp
                export policy-name [policy-name...(upto 5 max)]
                router-id ip-address
                group name
                    family [ipv4] [vpn-ipv4] [ipv6] [mcast-ipv4]
                    type {internal|external}
                    neighbor ip-address
                        local-as as-number [private]
                        peer-as as-number

```

The following displays an IPv6 over IPv4 tunnel configuration

```

A:ALA-49>configure>router# info
-----
...
    policy-options
      policy-statement "ospf3"
        description "Plcy Stmt For 'From ospf3 To bgp'"
        entry 10
          description "Entry From Protocol ospf3 To bgp"
          from
            protocol ospf3
          exit
          to
            protocol bgp
          exit
          action accept
          exit
        exit
      exit
    exit
  -----
A:ALA-49>configure>router#

```

Router Advertisement

To configure the router to originate router advertisement messages, the **router-advertisement** command must be enabled. All other router advertisement configuration parameters are optional. Router advertisement on all IPv6-enabled interfaces will be enabled.

Use the following CLI syntax to enable router advertisement and configure router advertisement parameters:

```
CLI Syntax: config>router# router-advertisement
                interface ip-int-name
                  current-hop-limit number
                  managed-configuration
                  max-advertisement-interval seconds
                  min-advertisement-interval seconds
                  mtu mtu-bytes
                  other-stateful-configuration
                  prefix ipv6-prefix/prefix-length
                    autonomous
                    on-link
                    preferred-lifetime {seconds / infinite}
                    valid-lifetime {seconds / infinite}
                  reachable-time milli-seconds
                  retransmit-time milli-seconds
                  router-lifetime seconds
                  no shutdown
                  use-virtual-mac
```

The following displays a router advertisement configuration example.

```
*A:sim131>config>router>router-advert# info
-----
                interface "n1"
                  prefix 3::/64
                  exit
                  use-virtual-mac
                  no shutdown
                exit
-----
*A:sim131>config>router>router-advert# interface n1
*A:sim131>config>router>router-advert>if# prefix 3::/64
*A:sim131>config>router>router-advert>if>prefix# info detail
-----
                autonomous
                on-link
                preferred-lifetime 604800
                valid-lifetime 2592000
-----
*A:tahi>config>router>router-advert>if>prefix#
```

Configuring IPv6 Parameters

The following displays the interface configuration showing the IPv6 default configuration when IPv6 is enabled on the interface.

```
A:ALA-49>config>router>if>ipv6# info detail
-----
port 1/3/37
  ipv6
    packet-too-big 100 10
    param-problem 100 10
    redirects 100 10
    time-exceeded 100 10
    unreachable 100 10
  exit
-----
A:ALA-49>config>router>if>ipv6# exit all
```

The following displays an IPv6 configuration example.

```
A:ALA-49>config>router>if# info
-----
address 10.11.10.1/24
port 1/3/37
  ipv6
    address 10::1/24
  exit
-----
A:ALA-49>config>router>if#
```

An Example of a IPv6 Over IPv4 Tunnel Configuration

The IPv6 address is the next-hop as it is received through BGP. The IPv4 address is the system address of the tunnel's endpoint static-route ::C8C8:C802/128 indirect 200.200.200.2

This configuration displays an example to configure a policy to export IPv6 routes into BGP.

CLI Syntax:

```
config>router
  bgp
    export policy-name [policy-name...(upto 5 max)]
    router-id ip-address
    group name
      family [ipv4] [vpn-ipv4] [ipv6] [mcast-ipv4]
      type {internal|external}
      neighbor ip-address
        local-as as-number [private]
        peer-as as-number
```

The following displays the configuration showing the policy output.

Common Configuration Tasks

```
A:ALA-49>configure>router# info
-----
...
    policy-options
      policy-statement "ospf3"
        description "Plcy Stmt For 'From ospf3 To bgp'"
        entry 10
          description "Entry From Protocol ospf3 To bgp"
          from
            protocol ospf3
          exit
          to
            protocol bgp
          exit
          action accept
          exit
        exit
      exit
    exit
  exit
-----
A:ALA-49>configure>router#
```


Router Advertisement

To configure the router to originate router advertisement messages, the **router-advertisement** command must be enabled. All other router advertisement configuration parameters are optional. Router advertisement on all IPv6-enabled interfaces will be enabled.

Use the following CLI syntax to enable router advertisement and configure router advertisement parameters:

```
CLI Syntax: config>router# router-advertisement
                interface ip-int-name
                  current-hop-limit number
                  managed-configuration
                  max-advertisement-interval seconds
                  min-advertisement-interval seconds
                  mtu mtu-bytes
                  other-stateful-configuration
                  prefix ipv6-prefix/prefix-length
                    autonomous
                    on-link
                    preferred-lifetime {seconds / infinite}
                    valid-lifetime {seconds / infinite}
                  reachable-time milli-seconds
                  retransmit-time milli-seconds
                  router-lifetime seconds
                  no shutdown
                  use-virtual-mac
```

The following displays the output showing the router advertisement configuration.

```
*A:sim131>config>router>router-advert# info
-----
                interface "n1"
                  prefix 3::/64
                  exit
                  use-virtual-mac
                  no shutdown
                exit
-----
*A:sim131>config>router>router-advert# interface n1
*A:sim131>config>router>router-advert>if# prefix 3::/64
*A:sim131>config>router>router-advert>if>prefix# info detail
-----
                autonomous
                on-link
                preferred-lifetime 604800
                valid-lifetime 2592000
                -----
*A:sim131>config>router>router-advert>if>prefix#
```

Configuring Proxy ARP

To configure proxy ARP, you can configure:

- A prefix list in the **config>router>policy-options>prefix-list** context.
- A route policy statement in the **config>router>policy-options>policy-statement** context and apply the specified prefix list.
 - In the policy statement **entry>to** context, specify the host source address(es) for which ARP requests can or cannot be forwarded to non-local networks, depending on the specified action.
 - In the policy statement **entry>from** context, specify network prefixes that ARP requests will or will not be forwarded to depending on the action if a match is found. For more information about route policies, refer to the 7750 SR OS Routing Protocols Guide.
- Apply the policy statement to the **proxy-arp** configuration in the **config>router>interface** context.

CLI Syntax: config>router# policy-options
begin
commit
prefix-list *name*
 prefix *ip-prefix/mask* [exact|longer|through
 length|prefix-length-range *length1-length2*]

Use the following CLI syntax to configure the policy statement specified in the **proxy-arp-policy** *policy-statement* command.

CLI Syntax: config>router# policy-options
begin
commit
policy-statement *name*
 default-action {accept | next-entry | next-policy | re-
 ject}
 entry *entry-id*
 action {accept | next-entry | next-policy | reject}
 to
 prefix-list *name* [*name...*(upto 5 max)]
 from
 prefix-list *name* [*name...*(upto 5 max)]

The following displays prefix list and policy statement configuration examples:

```
A:ALA-49>config>router>policy-options# info  
-----  
    prefix-list "prefixlist1"
```

```

        prefix 10.20.30.0/24 through 32
    exit
    prefix-list "prefixlist2"
        prefix 10.10.10.0/24 through 32
    exit
...
    policy-statement "ProxyARPolicy"
        entry 10
            from
                prefix-list "prefixlist1"
            exit
            to
                prefix-list "prefixlist2"
            exit
            action reject
        exit
        default-action accept
    exit
    exit
...
-----
A:ALA-49>config>router>policy-options#

```

Use the following CLI to configure proxy ARP:

CLI Syntax: config>router>interface *interface-name*
 local-proxy-arp
 proxy-arp-policy *policy-name* [*policy-name...*(upto 5 max)]
 remote-proxy-arp

The following displays a proxy ARP configuration example:

```

A:ALA-49>config>router>if# info
-----
    address 128.251.10.59/24
    local-proxy-arp
    proxy-arp
        policy-statement "ProxyARPolicy"
    exit
-----
A:ALA-49>config>router>if#

```

Creating an IP Address Range

An IP address range can be reserved for exclusive use for services by defining the `config>router>service-prefix` command. When the service is configured, the IP address must be in the range specified as a service prefix. If no service prefix command is configured, then no limitation exists.

The `no service-prefix ip-prefix/mask` command removes all address reservations. A service prefix cannot be removed while one or more services use address(es) in the range to be removed.

CLI Syntax: `config>router
service-prefix ip-prefix/mask [exclusive]`

Configuring an LDP Shortcut

This command enables you to forward user IP packets and specified control IP packets using LDP shortcuts over all network interfaces in the system that participate in the IS-IS and OSPF routing protocols. The default is to disable the LDP shortcut across all interfaces in the system.

IGP Route Resolution

When LDP shortcut is enabled, LDP populates the RTM with next-hop entries corresponding to all prefixes for which it activated an LDP FEC. For a given prefix, two route entries are populated in RTM. One corresponds to the LDP shortcut next-hop and has an owner of LDP. The other one is the regular IP next-hop. The LDP shortcut next-hop always has preference over the regular IP next-hop for forwarding user packets and specified control packets over a given outgoing interface to the route next-hop.

The prior activation of the FEC by LDP is done by performing an exact match with an IGP route prefix in RTM. It can also be done by performing a longest prefix-match with an IGP route in RTM if the `aggregate-prefix-match` option is enabled globally in LDP `ldp-interarea-prd`.

Note that the LDP next-hop entry is not exported to LDP control plane or to any other control plane protocols except OSPF, IS-IS, and specific OAM control plane as specified in [Handling of Control Packets on page 70](#).

This feature is not restricted to /32 FEC prefixes. However only /32 FEC prefixes will be populated in the CPM Tunnel Table for use as a tunnel by services.

All user and specified control packets for which the longest prefix match in RTM yields the FEC prefix will be forwarded over the LDP LSP. The following is an example of the resolution process.

Assume the egress LER advertised a FEC for some /24 prefix using the fec-originate command. At the ingress LER, LDP resolves the FEC by checking in RTM that an exact match exists for this prefix. Once LDP activated the FEC, it programs the NHLFE in the egress data path and the LDP tunnel information in the ingress data path tunnel table.

Next, LDP provides the shortcut route to RTM which will associate it with the same /24 prefix. There will be two entries for this /24 prefix, the LDP shortcut next-hop and the regular IP next-hop. The latter was used by LDP to validate and activate the FEC. RTM then resolves all user prefixes which succeed a longest prefix match against the /24 route entry to use the LDP LSP.

Assume now the aggregate-prefix-match was enabled and that LDP found a /16 prefix in RTM to activate the FEC for the /24 FEC prefix. In this case, RTM adds a new more specific route entry of /24 and has the next-hop as the LDP LSP but it will still not have a specific /24 IP route entry. RTM then resolves all user prefixes which succeed a longest prefix match against the /24 route entry to use the LDP LSP while all other prefixes which succeed a longest prefix-match against the /16 route entry will use the IP next-hop. LDP shortcut will also work when using RIP for routing.

LDP Shortcut Forwarding Plane

Once LDP activated a FEC for a given prefix and programmed RTM, it also programs the ingress Tunnel Table in IOM with the LDP tunnel information.

When an IPv4 packet is received on an ingress network interface, a subscriber IES interface, or a regular IES interface, the lookup of the packet by the ingress IOM will result in the packet being sent labeled with the label stack corresponding to the NHLFE of the LDP LSP when the preferred RTM entry corresponds to an LDP shortcut.

If the preferred RTM entry corresponds to an IP next-hop, the IPv4 packet is forwarded unlabelled.

The switching from the LDP shortcut next-hop to the regular IP next-hop when the LDP FEC becomes unavailable depends on whether the next-hop is still available. If it is (for example, the LDP FEC was withdrawn due to LDP control plane issues) the switchover should be faster. If the next-hop determination requires IGP to re-converge, this will take longer. However no target is set.

The switching from a regular IP next-hop to an LDP shortcut next-hop will normally occur only when both are available. However, the programming of the NHLFE by LDP and the programming of the LDP tunnel information in the ingress IOM tunnel table are asynchronous. If Tunnel Table is configured first, it is possible that traffic will be black holed for some time .

ECMP Considerations

When ECMP is enabled and multiple equal-cost next-hops exit for the IGP route, the ingress IOM will spray the packets for this route based on hashing routine currently supported for IPv4 packets.

Common Configuration Tasks

When the preferred RTM entry corresponds to an LDP shortcut route, spraying will be performed across the multiple next-hops for the LDP FEC. The FEC next-hops can either be direct link LDP neighbors or T-LDP neighbors reachable over RSVP LSPs in the case of LDP-over-RSVP but not both. This is as per ECMP for LDP in existing implementation.

When the preferred RTM entry corresponds to a regular IP route, spraying will be performed across regular IP next-hops for the prefix.

Spraying across regular IP next-hops and LDP-shortcut next-hops concurrently is not supported.

Handling of Control Packets

All control plane packets will not see the LDP shortcut route entry in RTM with the exception of the following control packets which will be forwarded over an LDP shortcut when enabled:

- A locally generated or in transit ICMP Ping and trace route of an IGP route. The transit message appears as a user packet to the ingress LER node.
- A locally generated response to a received ICMP ping or trace route message.

All other control plane packets that require an RTM lookup and knowledge of which destination is reachable over the LDP shortcut will continue to be forwarded over the IP next-hop route in RTM.

Handling of Multicast Packets

Multicast packets cannot be forwarded or received from an LDP LSP. This is because there is no support for the configuration of such an LSP as a tunnel interfaces in PIM. Only an RSVP P2MP LSP is currently allowed.

If a multicast packet is received over the physical interface, the RPF check will not resolve to the LDP shortcut as the LDP shortcut route in RTM is not made available to multicast application.

Interaction with LDP Shortcut for BGP Route Resolution

There is no interaction between an LDP shortcut for BGP next-hop resolution and the LDP shortcut for IGP route resolution. BGP will continue to resolve a BGP next-hop to an LDP shortcut if the user enabled the LDP shortcut option in BGP *BGP-Shortcut*:

CLI Syntax: `config>router>bgp>igp-shortcut ldp`

Interaction with LDP Shortcut for Static Route Resolution

There is no interaction between LDP shortcut for static route resolution and the LDP shortcut for IGP route resolution. A static route will continue to be resolved by searching an LDP LSP which FEC prefix matches the specified indirect next-hop for the route. In contrast, the LDP shortcut for IGP route resolution uses the LDP LSP as a route.

LDP Control Plane

In order for the LDP shortcut to be usable, a 7x50 must originate a <FEC, label> binding for each IGP route it learns of even if it did not receive a binding from the next-hop for that route. In other words, it must assume it is an egress LER for the FEC until the route disappears from the routing table or the next-hop advertised a binding for the FEC prefix. In the latter case, the 7x50 becomes a transit LSR for the FEC.

In the current TiMOS, a 7x50 will originate a <FEC, label> binding for its system interface address only by default. The only way to originate a binding for local interfaces and routes which are not local to the system is by using the fec-originate capability.

You must use the **fec-originate** command to generate bindings for all non-local routes for which this node acts as an egress LER for the corresponding LDP FEC. Specifically, this feature must support the FEC origination of IGP learned routes and subscriber/host routes statically configured or dynamically learned over subscriber IES interfaces.

An LDP LSP used as a shortcut by IPv4 packets may also be tunneled using the LDP-over-RSVP feature.

Deriving the Router ID

The router ID defaults to the address specified in the system interface command. If the system interface is not configured with an IP address, then the router ID inherits the last four bytes of the MAC address. The router ID can also be manually configured in the `config>router router-id` context. On the BGP protocol level, a BGP router ID can be defined in the `config>router>bgp router-id` context and is only used within BGP.

Note that if a new router ID is configured, protocols are not automatically restarted with the new router ID. The next time a protocol is initialized the new router ID is used. An interim period of time can occur when different protocols use different router IDs. To force the new router ID, issue the `shutdown` and `no shutdown` commands for each protocol that uses the router ID, or restart the entire router.

Use the following CLI syntax to configure the router ID:

CLI Syntax:

```
config>router
  router-id router-id
  interface ip-int-name
    address {ip-address/mask | ip-address netmask} [broad-
      cast all-ones | host-ones]
```

The following example displays a router ID configuration:

```
A:ALA-4>config>router# info
#-----
# IP Configuration
#-----
      interface "system"
        address 10.10.0.4/32
      exit
      . . .
      router-id 10.10.0.4
#-----
A:ALA-4>config>router#
```


Configuring a Confederation

Configuring a confederation is optional. The AS and confederation topology design should be carefully planned. Autonomous system (AS), confederation, and BGP connection and peering parameters must be explicitly created on each participating router. Identify AS numbers, confederation numbers, and members participating in the confederation.

Refer to the BGP section for CLI syntax and command descriptions.

Use the following CLI syntax to configure a confederation:

CLI Syntax: `config>router`
`confederation confed-as-num members member-as-num`

The following example displays the commands to configure the confederation topology diagram displayed in [Figure 1 on page 27](#).

NOTES:

- Confederations can be preconfigured prior to configuring BGP connections and peering.
- Each confederation can have up to 15 members.

The following displays a confederation example.

```
A:ALA-B>config>router# info
#-----
# IP Configuration
#-----
    interface "system"
      address 10.10.10.103/32
    exit
    interface "to-104"
      shutdown
      address 10.0.0.103/24
      port 1/1/1
    exit
    autonomous-system 100
    confederation 2002 members 200 300 400
    router-id 10.10.10.103
#-----
A:ALA-B>config>router#
```

Configuring an Autonomous System

Configuring an autonomous system is optional. Use the following CLI syntax to configure an autonomous system:

CLI Syntax: `config>router`
`autonomous-system as-number`

The following displays an autonomous system configuration example:

```
A:ALA-A>config>router# info
#-----
# IP Configuration
#-----
      interface "system"
        address 10.10.10.103/32
      exit
    interface "to-104"
      address 10.0.0.103/24
      port 1/1/1
      exit
    exit
    autonomous-system 100
    router-id 10.10.10.103
#-----
A:ALA-A>config>router#
```

Configuring Overload State on a Single SFM

A 7x50 system with a single SFM installed has a system multicast throughput that is only a half of a 7x50 system with dual SFMs installed. For example, in a mixed environment in which IOM1s, IOM2s, and IOM3s are installed in the same system (chassis mode B or C), system multicast throughput doubles when redundant SFMs are used instead of a single SFM. If the required system multicast throughput is between 16G and 32G (which means both SFMs are being actively used), when there is an SFM failure, multicast traffic needs to be rerouted around the node.

Some scenarios include:

- There is only one SFM installed in the system
- One SFM (active or standby) failed in a dual SFM configuration
- The system is in the ISSU process

You can use an overload state in IGP to trigger the traffic reroute by setting the overload bit in IS-IS or setting the metric to maximum in OSPF. Since PIM uses IGP to find out the upstream router, a next-hop change in IGP will cause PIM to join the new path and prune the old path, which effectively reroutes the multicast traffic downstream. When the problem is resolved, the overload condition is cleared, which will cause the traffic to be routed back to the router.

Service Management Tasks

This section discusses the following service management tasks:

- [Changing the System Name on page 76](#)
 - [Modifying Interface Parameters on page 77](#)
 - [Deleting a Logical IP Interface on page 78](#)
-

Changing the System Name

The `system` command sets the name of the device and is used in the prompt string. Only one system name can be configured. If multiple system names are configured, the last one configured will overwrite the previous entry.

Use the following CLI syntax to change the system name:

CLI Syntax: `config# system`
 name *system-name*

The following example displays the command usage to change the system name:

Example: A:ALA-A>config>system# name tgif
 A:TGIF>config>system#

The following example displays the system name change:

```
A:ALA-A>config>system# name TGIF
A:TGIF>config>system# info
#-----
# System Configuration
#-----
      name "TGIF"
      location "Mt.View, CA, NE corner of FERG 1 Building"
      coordinates "37.390, -122.05500 degrees lat."
      synchronize
      snmp
        exit
        security
          snmp
            community "private" rwa version both
          exit
        . . .
#-----
A:TGIF>config>system#
```

Modifying Interface Parameters

Starting at the `config>router` level, navigate down to the router interface context.

To modify an IP address, perform the following steps:

```
Example:A:ALA-A>config>router# interface "to-sr1"
A:ALA-A>config>router>if# shutdown
A:ALA-A>config>router>if# no address
A:ALA-A>config>router>if# address 10.0.0.25/24
A:ALA-A>config>router>if# no shutdown
```

To modify a port, perform the following steps:

```
Example:A:ALA-A>config>router# interface "to-sr1"
A:ALA-A>config>router>if# shutdown
A:ALA-A>config>router>if# no port
A:ALA-A>config>router>if# port 1/1/2
A:ALA-A>config>router>if# no shutdown
```

The following example displays the interface configuration:

```
A:ALA-A>config>router# info
#-----
# IP Configuration
#-----
      interface "system"
        address 10.0.0.103/32
      exit
      interface "to-sr1"
        address 10.0.0.25/24
        port 1/1/2
      exit
      router-id 10.10.0.3
#-----
A:ALA-A>config>router#
```

Deleting a Logical IP Interface

The `no` form of the `interface` command typically removes the entry, but all entity associations must be shut down and/or deleted before an interface can be deleted.

1. Before an IP interface can be deleted, it must first be administratively disabled with the `shutdown` command.
2. After the interface has been shut down, it can then be deleted with the **`no interface`** command.

CLI Syntax: `config>router`
`no interface ip-int-name`

Example: `config>router# interface test-interface`
`config>router>if# shutdown`
`config>router>if# exit`
`config>router# no interface test-interface`
`config>router#`

IP Router Command Reference

Command Hierarchies

Configuration Commands

- [Router Commands on page 80](#)
- [Router L2TP Commands on page 81](#)
- [Router Interface Commands on page 83](#)
- [Router Interface IPv6 Commands on page 85](#)
- [Router Advertisement Commands on page 86](#)
- [Show Commands on page 87](#)
- [Clear Commands on page 89](#)
- [Debug Commands on page 90](#)

Router Commands

```

config
  — router [router-name]
    — aggregate ip-prefix/mask [summary-only] [as-set] [aggregator as-number:ip-address]
    — no aggregate ip-prefix/mask
    — autonomous-system autonomous-system
    — no autonomous-system
    — confederation confed-as-num members as-number [as-number...(up to 15 max)]
    — no confederation [confed-as-num members as-number...(up to 15 max)]
    — ecmp max-ecmp-routes
    — no ecmp
    — fib-priority {high | standard}
    — [no] ignore-icmp-redirect
    — mc-maximum-routes number [log-only] [threshold threshold]
    — no mc-maximum-routes
    — multicast-info policy-name
    — no multicast-info
    — multicast-info
      — description description-string
      — no description
    — router-id ip-address
    — no router-id
    — service-prefix {ip-prefix/mask | ip-prefix netmask}[exclusive]
    — no service-prefix ip-prefix/mask | ip-prefix netmask}
    — sgt-qos
      — application dscp-app-name dscp {dscp-value | dscp-name}
      — application dot1p-app-name dot1p dot1p-priority
      — no application {dscp-app-name | dot1p-app-name}
      — dscp dscp-name fc fc-name
      — [no] dscp dscp-name
    — single-sfm-overload [holdoff-time holdoff-time]
    — no single-sfm-overload
    — [no] static-route {ip-prefix/prefix-length | ip-prefix netmask} [preference preference] [metric metric] [tag tag] [enable | disable] next-hop ip-int-name | ip-address [mcast-family] [bfd-enable | {cpe-check cpe-ip-address [interval seconds] [drop-count count] [log]}] [ldp-sync]
    — [no] static-route {ip-prefix/prefix-length | ip-prefix netmask} [preference preference] [metric metric] [tag tag] [enable | disable] indirect ip-address [ldp | rsvp-te [disallow-igp]] [cpe-check cpe-ip-address [interval seconds] [drop-count count] [log]]
    — [no] static-route {ip-prefix/prefix-length | ip-prefix netmask} [preference preference] [metric metric] [tag tag] [enable | disable] black-hole [mcast-family]
    — [no] triggered-policy

```


Router L2TP Commands

```

config
  — router [router-name]
    — l2tp
      — calling-number-format ascii-spec
      — no calling-number-format
      — exclude-avps calling-number
      — no exclude-avps
      — group tunnel-group-name [create]
      — no group tunnel-group-name
        — avp-hiding sensitive / always
        — no avp-hiding
        — challenge always
        — no challenge
        — description description-string
        — no description
        — destruct-timeout destruct-timeout
        — no destruct-timeout
        — hello-interval hello-interval
        — no hello-interval
        — idle-timeout idle-timeout
        — no idle-timeout
        — lns-group lns-group-id
        — no lns-group
        — local-address ip-address
        — no local-address
        — local-name host-name
        — no local-name
        — max-retries-estab max-retries
        — no max-retries-estab
        — max-retries-not-estab max-retries
        — no max-retries-not-estab
        — password password [hash | hash2]
        — no password
      — ppp
        — authentication {chap|pap|pref-chap}
        — authentication-policy auth-policy-name
        — no authentication-policy
        — default-group-interface ip-int-name service-id service-id
        — no default-group-interface
        — keepalive seconds [hold-up-multiplier multiplier]
        — no keepalive
        — mtu mtu-bytes
        — no mtu
        — [no] proxy-authentication
        — [no] proxy-lcp
        — user-db local-user-db-name
        — no user-db
      — session-assign-method weighted
      — no session-assign-method
      — session-limit session-limit
      — no session-limit
      — tunnel tunnel-name [create]
      — no tunnel tunnel-name

```

- **[no] auto-establish**
- **avp-hiding** {**never** | **sensitive** | **always**}
- **no avp-hiding**
- **challenge** *challenge-mode*
- **no challenge**
- **description** *description-string*
- **no description**
- **destruct-timeout** *destruct-timeout*
- **no destruct-timeout**
- **hello-interval** *hello-interval*
- **hello-interval infinite**
- **no hello-interval**
- **idle-timeout** *idle-timeout*
- **idle-timeout infinite**
- **no idle-timeout**
- **local-address** *ip-address*
- **no local-address**
- **local-name** *host-name*
- **no local-name**
- **max-retries-estab** *max-retries*
- **no max-retries-estab**
- **max-retries-not-estab** *max-retries*
- **no max-retries-not-estab**
- **password** *password* [**hash** | **hash2**]
- **no password**
- **peer** *ip-address*
- **no peer**
- **preference** *preference*
- **no preference**
- **remote-name** *host-name*
- **no remote-name**
- **session-limit** *session-limit*
- **no session-limit**
- **[no] shutdown**
- **peer-address-change-policy** {**accept** | **ignore** | **reject**}
- **receive-window-size** [*4..1024*]
- **no receive-window-size**
- **[no] shutdown**

Router Interface Commands

```

config
  — router [router-name]
    — [no] interface ip-int-name
      — address {ip-address/mask | ip-address netmask} [broadcast {all-ones | host-ones}]
      — no address
      — [no] allow-directed-broadcasts
      — arp-timeout seconds
      — no arp-timeout
      — bfd transmit-interval [receive receive-interval] [multiplier multiplier] [echo-receive echo-interval] [type cpm-np]
      — no bfd
      — cflowd {acl | interface}
      — cpu-protection policy-id
      — no cpu-protection
      — delayed-enable seconds
      — no delayed-enable
      — description description-string
      — no description
      — egress
        — filter ip ip-filter-id
        — filter ipv6 ipv6-filter-id
        — no filter [ip ip-filter-id] [ipv6 ipv6-filter-id]
      — icmp
        — [no] mask-reply
        — redirects [number seconds]
        — no redirects
        — ttl-expired [number seconds]
        — no ttl-expired
        — unreachables [number seconds]
        — no unreachables
      — ingress
        — filter ip ip-filter-id
        — filter ipv6 ipv6-filter-id
        — no filter [ip ip-filter-id] [ipv6 ipv6-filter-id]
        — [no] flowspec
      — [no] ldp-shortcut
      — ldp-sync-timer seconds
      — no ldp-sync-timer
      — [no] local-proxy-arp
      — [no] loopback
      — lsr-load-balancing hashing-algorithm
      — no lsr-load-balancing
      — mac ieee-mac-addr
      — no mac
      — [no] multihoming primary|secondary [hold-time holdover-time]
      — network-domain network-domain-name
      — no network-domain
      — [no] ntp-broadcast
      — port port-name
      — no port
      — [no] proxy-arp-policy
      — qos network-policy-id [queue-redirect-group queue-group-name]

```

- **no qos**
- **[no] remote-proxy-arp**
- **secondary** {[*ip-addr/mask* / *ip-addr*][*netmask*]} [**broadcast** {*all-ones* | *host-ones*}] [**igp-inhibit**]
- **no secondary** [*ip-addr/mask* / *ip-addr*][*netmask*]
- **[no] shutdown**
- **static-arp** *ip-addr* *ieee-mac-addr*
- **no static-arp** *ip-addr*
- **[no] strip-label**
- **tos-marking-state** {**trusted** | **untrusted**}
- **no tos-marking-state**
- **unnumbered** [*ip-addr* | *ip-int-name*]
- **no unnumbered**
- **[no] urpf-check**
 - **mode** {**strict** | **loose**}
 - **no mode**
- **[no] mh-primary-interface**
 - **address** {*ip-address/mask* | *ip-address netmask*}
 - **no address**
 - **description** *description-string*
 - **no description**
 - **[no] shutdown**
- **[no] mh-secondary-interface**
 - **hold-time** *holdover-time*
 - **no hold-time**
 - **address** {*ip-address/mask* | *ip-address netmask*}
 - **no address**
 - **description** *description-string*
 - **no description**
 - **[no] shutdown**

For router interface VRRP commands, see [VRRP Command Reference on page 273](#).

Router Interface IPv6 Commands

```

config
  — router [router-name]
    — [no] interface ip-int-name
      — [no] ipv6
        — address ipv6-address/prefix-length [eui-64]
        — no address ipv6-address/prefix-length
        — bfd transmit-interval [receive receive-interval] [multiplier multiplier]
          [echo-receive echo-interval [type cpm-np]
        — no bfd
        — icmp6
          — packet-too-big [number seconds]
          — no packet-too-big
          — param-problem [number seconds]
          — no param-problem
          — redirects [number seconds]
          — no redirects
          — time-exceeded [number seconds]
          — no time-exceeded
          — unreachables [number seconds]
          — no unreachables
        — [no] local-proxy-nd
        — neighbor ipv6-address [mac-address]
        — no neighbor ipv6-address
        — proxy-nd-policy policy-name [ policy-name...(up to 5 max)]
        — no proxy-nd-policy

```

Router Advertisement Commands

- config
 - router
 - [no] **router-advertisement**
 - [no] **interface** *ip-int-name*
 - **current-hop-limit** *number*
 - **no current-hop-limit**
 - [no] **managed-configuration**
 - **max-advertisement-interval** *seconds*
 - **no max-advertisement-interval**
 - **min-advertisement-interval** *seconds*
 - **no min-advertisement-interval**
 - **mtu** *mtu-bytes*
 - **no mtu**
 - [no] **other-stateful-configuration**
 - **prefix** [*ipv6-prefix/prefix-length*]
 - [no] **autonomous**
 - [no] **on-link**
 - **preferred-lifetime** {*seconds* | **infinite**}
 - **no preferred-lifetime**
 - **valid-lifetime** {*seconds* | **infinite**}
 - **no valid-lifetime**
 - **reachable-time** *milli-seconds*
 - **no reachable-time**
 - **retransmit-time** *milli-seconds*
 - **no retransmit-time**
 - **router-lifetime** *seconds*
 - **no router-lifetime**
 - [no] **shutdown**
 - [no] **use-virtual-mac**

Show Commands

```

show
  — router router-instance
    — aggregate [family] [active]
    — arp [ip-int-name | ip-address/mask | mac ieee-mac-address / summary] [local | dynamic | static | managed]
    — authentication
      — statistics
      — statistics interface [ip-int-name / ip-address]
      — statistics policy name
    — bfd
      — interface [interface-name]
      — session [src ip-address [dst ip-address] | [detail]]
      — session [type type]
      — session [summary]
    — dhcp
      — statistics [ip-int-name | ip-address]
      — summary
    — dhcp6
      — statistics [ip-int-name | ip-address]
      — summary
    — ecmp
    — fib slot-number [family] [ip-prefix/prefix-length [longer]] [secondary]
    — fib slot-number [family] summary
    — fib slot-number nh-table-usage
    — icmp6
      — interface [interface-name]
    — interface [{ip-address | ip-int-name] [detail] [family]} | [summary] | [exclude-services]
    — interface family [detail]
    — interface <ip-address | ip-int-name> statistics
    — l2tp
      — group [tunnel-group-name [statistics]]
      — group connection-id connection-id [detail]
      — group [detail] [session-id session-id (v2)] [state session-state][peer ip-address] [group group-name] [assignment-id assignment-id] [local-namelocal-host-name] [remote-name remote-host-name] [tunnel-id tunnel-id (v2)]
      — session [detail] [state session-state] [peer ip-address] [group group-name] [assignment-id assignment-id] [local-name local-host-name] [remote-name remote-host-name] [control-connection-id connection-id (v3)]
      — statistics
      — tunnel [statistics] [detail] [peer ip-address] [state tunnel-state] [remote-connection-id remote-connection-id (v3)] [group group-name] [assignment-id assignment-id] [local-name host-name] [remote-name host-name]] tunnel [statistics] [detail] [peer ip-address] [state tunnel-state] [remote-tunnel-id remote-tunnel-id (v2)] [group group-name] [assignment-id assignment-id] [local-name host-name] [remote-name host-name]
      — tunnel tunnel-id tunnel-id (v2) [statistics] [detail]
      — tunnel connection-id connection-id (v3) [statistics] [detail]
    — mvpn
    — neighbor [ip-address | ip-int-name | mac ieee-mac-address | summary]
    — network-domains [detail] [network-domain-name]
    — policy [name | damping | prefix-list name | as-path name | community name | admin]
    — policy-edits

```

- **route-table** [*ip-prefix[/prefix-length]*] [**longer** | **exact** | **protocol**]] | [**protocol** *protocol-name*]
[**next-hop-type** **tunneled**][**all**]
- **route-table** [**family**] **summary**
- **route-table** *tunnel-endpoints* [*ip-prefix[/prefix-length]*] [**longer** | **exact** | **protocol**]
- **route-table** [*ip-prefix[/prefix-length]*] **next-hop-type** **tunneled**
- **rtr-advertisement** [**interface** *interface-name*] [**prefix** *ipv6-prefix[/prefix-length]*] [**conflicts**]
- **service-prefix**
- **sgt-qos**
 - **application** [*app-name*] [**dscp-dot1p**]
 - **dscp-map** [*dscp-name*]
- **static-arp** [*ip-address* | *ip-int-name* | **mac** *ieee-mac-addr*]
- **static-route** [**family**] [[*ip-prefix /mask*]] [**preference** *preference*] | [**next-hop** *ip-address*] |
[**tag** *tag*] [**detail**]
- **status**
- **tunnel-table** [*ip-address[/mask]*] | [**protocol** *protocol* | **sdp** *sdp-id*] [**summary**]
- **neighbor** [*interface-name*]

Clear Commands

```

clear
— router [router-instance]
— arp {all | ip-addr | interface {ip-int-name | ip-addr}}
— bfd
— session src-ip ip-address dst-ip ip-address
— statistics src-ip ip-address dst-ip ip-address
— statistics all
— dhcp
— statistics [ip-int-name | ip-address]
— dhcp6
— statistics [ip-int-name | ip-address]
— forwarding-table [slot-number]
— grt-lookup
— icmp-redirect-route {all | ip-address}
— icmp6 all
— icmp6 global
— icmp6 interface interface-name
— interface [ip-int-name | ip-addr] [icmp] [urpf-stats] [statistics]
— l2tp
— group tunnel-group-name
— statistics
— statistics
— tunnel tunnel-id
— statistics
— neighbor {all | ip-address}
— neighbor [interface ip-int-name | ip-address]
— router-advertisement all
— router-advertisement [interface interface-name]
— forwarding-table [slot-number]
— interface [ip-int-name | ip-addr] [icmp]

```

Debug Commands

```

debug
  — trace
    — destination trace-destination
    — enable
    — [no] trace-point [module module-name] [type event-type] [class event-class] [task task-name] [function function-name]
  — router router-instance
    — ip
      — [no] arp
      — icmp
      — no icmp
      — icmp6 [ip-int-name]
      — no icmp6
      — [no] interface [ip-int-name | ip-address]
      — [no] neighbor
      — packet [ip-int-name | ip-address] [headers] [protocol-id]
      — no packet [ip-int-name | ip-address]
      — route-table [ip-prefix/prefix-length] [longer]
      — no route-table
      — tunnel-table [ip-address] [ldp | rsvp] [tunnel-id tunnel-id] [sdp] [sdp-id sdp-id]
    — mtrace
      — [no] misc
      — [no] packet [query | request | response]

```

Configuration Commands

Generic Commands

shutdown

Syntax	[no] shutdown
Context	config>router>interface
Description	<p>The shutdown command administratively disables the entity. When disabled, an entity does not change, reset, or remove any configuration settings or statistics. Many entities must be explicitly enabled using the no shutdown command.</p> <p>The shutdown command administratively disables an entity. The operational state of the entity is disabled as well as the operational state of any entities contained within. Many objects must be shut down before they may be deleted.</p> <p>Unlike other commands and parameters where the default state is not indicated in the configuration file, shutdown and no shutdown are always indicated in system generated configuration files.</p> <p>The no form of the command puts an entity into the administratively enabled state.</p>
Default	no shutdown

description

Syntax	description <i>description-string</i> no description
Context	config>router>if config>router>if>dhcp config>router>if>vrrp config>router>l2tp>group config>router>l2tp>group>tunnel
Description	<p>This command creates a text description stored in the configuration file for a configuration context.</p> <p>The no form of the command removes the description string from the context.</p>
Default	No description is associated with the configuration context.
Parameters	<i>description-string</i> — The description character string. Allowed values are any string up to 80 characters long composed of printable, 7-bit ASCII characters. If the string contains special characters (#, \$, spaces, etc.), the entire string must be enclosed within double quotes.

Router Global Commands

router

Syntax	router <i>router-name</i>
Context	config
Description	This command enables the context to configure router parameters, and interfaces, route policies, and protocols.
Parameters	<i>router-name</i> — Specify the router-name.
Values	router-name: Base, management
Default	Base

aggregate

Syntax	aggregate <i>ip-prefix/ip-prefix-length</i> [summary-only] [as-set] [aggregator <i>as-number:ip-address</i>] no aggregate <i>ip-prefix/mask</i>								
Context	config>router								
Description	<p>This command creates an aggregate route.</p> <p>Use this command to group a number of routes with common prefixes into a single entry in the routing table. This reduces the number of routes that need to be advertised by this router and reduces the number of routes in the routing tables of downstream routers.</p> <p>Both the original components and the aggregated route (source protocol aggregate) are offered to the Routing Table Manager (RTM). Subsequent policies can be configured to assign protocol-specific characteristics (BGP, IS-IS or OSPF) such as the route type, or OSPF tag, to aggregate routes.</p> <p>Multiple entries with the same prefix but a different mask can be configured; for example, routes are aggregated to the longest mask. If one aggregate is configured as 10.0./16 and another as 10.0.0./24, then route 10.0.128/17 would be aggregated into 10.0/16, and route 10.0.0.128/25 would be aggregated into 10.0.0/24. If multiple entries are made with the same prefix and the same mask, the previous entry is overwritten.</p> <p>The no form of the command removes the aggregate.</p>								
Default	No aggregate routes are defined.								
Parameters	<i>ip-prefix</i> — The destination address of the aggregate route in dotted decimal notation.								
Values	<table> <tr> <td>ipv4-prefix</td> <td>a.b.c.d (host bits must be 0)</td> </tr> <tr> <td>ipv4-prefix-length</td> <td>0 — 32</td> </tr> <tr> <td>ipv6-prefix</td> <td>x:x:x:x:x:x:x (eight 16-bit pieces)</td> </tr> <tr> <td></td> <td>x:x:x:x:x:d.d.d.d</td> </tr> </table>	ipv4-prefix	a.b.c.d (host bits must be 0)	ipv4-prefix-length	0 — 32	ipv6-prefix	x:x:x:x:x:x:x (eight 16-bit pieces)		x:x:x:x:x:d.d.d.d
ipv4-prefix	a.b.c.d (host bits must be 0)								
ipv4-prefix-length	0 — 32								
ipv6-prefix	x:x:x:x:x:x:x (eight 16-bit pieces)								
	x:x:x:x:x:d.d.d.d								

x: [0 — FFFF]H
 d: [0 — 255]D
 ipv6-prefix-length 0 — 128

The mask associated with the network address expressed as a mask length.

Values 0 — 32

summary-only — This optional parameter suppresses advertisement of more specific component routes for the aggregate.

To remove the **summary-only** option, enter the same aggregate command without the **summary-only** parameter.

as-set — This optional parameter is only applicable to BGP and creates an aggregate where the path advertised for this route will be an AS_SET consisting of all elements contained in all paths that are being summarized.

Use this feature carefully. Aggregating several paths can result in the constant withdrawal and insertion of AS-PATHs as associated component routes of the aggregate that are experiencing changes.

aggregator as-number:ip-address — This optional parameter specifies the BGP aggregator path attribute to the aggregate route. When configuring the aggregator, a two-octet AS number used to form the aggregate route must be entered, followed by the IP address of the BGP system that created the aggregate route.

autonomous-system

Syntax	autonomous-system <i>autonomous-system</i> no autonomous-system
Context	config>router
Description	<p>This command configures the autonomous system (AS) number for the router. A router can only belong to one AS. An AS number is a globally unique number with an AS. This number is used to exchange exterior routing information with neighboring ASs and as an identifier of the AS itself.</p> <p>If the AS number is changed on a router with an active BGP instance, the new AS number is not used until the BGP instance is restarted either by administratively disabling/enabling (shutdown/no shutdown) the BGP instance or rebooting the system with the new configuration.</p>
Default	No autonomous system number is defined.
Parameters	<i>autonomous-system</i> — The autonomous system number expressed as a decimal integer.
	Values 1 — 4294967295

confederation

Syntax	confederation <i>confed-as-num members as-number [as-number...up to 15 max]</i> no confederation [<i>confed-as-num members as-number...up to 15 max</i>]
Context	config>router

Description	<p>This command creates confederation autonomous systems within an AS.</p> <p>This technique is used to reduce the number of IBGP sessions required within an AS. Route reflection is another technique that is commonly deployed to reduce the number of IBGP sessions.</p> <p>The no form of the command deletes the specified member AS from the confederation.</p> <p>When no members are specified in the no statement, the entire list is removed and confederation is disabled.</p> <p>When the last member of the list is removed, confederation is disabled.</p>
Default	no confederation - no confederations are defined.
Parameters	<p><i>confed-as-num</i> — The confederation AS number expressed as a decimal integer.</p> <p style="padding-left: 2em;">Values 1 - 65535</p> <p>members <i>member-as-num</i> — The AS number(s) of members that are part of the confederation, expressed as a decimal integer. Up to 15 members per <i>confed-as-num</i> can be configured.</p> <p style="padding-left: 2em;">Values 1 - 65535</p>

ecmp

Syntax	<p>ecmp <i>max-ecmp-routes</i></p> <p>no ecmp</p>
Context	config>router
Description	<p>This command enables ECMP and configures the number of routes for path sharing; for example, the value 2 means two equal cost routes will be used for cost sharing.</p> <p>ECMP can only be used for routes learned with the same preference and same protocol. See the discussion on preferences in the static-route command.</p> <p>When more ECMP routes are available at the best preference than configured in <i>max-ecmp-routes</i>, then the lowest next-hop IP address algorithm is used to select the number of routes configured in <i>max-ecmp-routes</i>.</p> <p>The no form of the command disables ECMP path sharing. If ECMP is disabled and multiple routes are available at the best preference and equal cost, then the route with the lowest next-hop IP address is used.</p>
Default	no ecmp
Parameters	<p><i>max-ecmp-routes</i> — The maximum number of equal cost routes allowed on this routing table instance, expressed as a decimal integer. Setting ECMP <i>max-ecmp-routes</i> to 1 yields the same result as entering no ecmp.</p> <p style="padding-left: 2em;">Values 0 — 16</p>

fib-priority

Syntax	fib-priority { high standard }
Context	config>router
Description	This command specifies the FIB priority for VPRN.
Parameters	high — standard —

ignore-icmp-redirect

Syntax	[no] ignore-icmp-redirect
Context	config>router
Description	This command drops ICMP redirects received on the management interface. The no form of the command accepts ICMP redirects received on the management interface.

mc-maximum-routes

Syntax	mc-maximum-routes <i>number</i> [log-only] [threshold <i>threshold</i>] no mc-maximum-routes
Context	config>router
Description	This command specifies the maximum number of multicast routes that can be held within a VPN routing/forwarding (VRF) context. When this limit is reached, a log and SNMP trap are sent. If the log-only parameter is not specified and the maximum-routes value is set below the existing number of routes in a VRF, then no new joins will be processed. The no form of the command disables the limit of multicast routes within a VRF context. Issue the no form of the command only when the VPRN instance is shutdown.
Default	no mc-maximum-routes
Parameters	<i>number</i> — Specifies the maximum number of routes to be held in a VRF context. Values 1 — 2147483647 log-only — Specifies that if the maximum limit is reached, only log the event. log-only does not disable the learning of new routes. threshold <i>threshold</i> — The percentage at which a warning log message and SNMP trap should be sent. Values 0 — 100 Default 10

multicast-info

Syntax	multicast-info-policy <i>policy-name</i> no multicast-info-policy
Context	configure>router
Description	This command configures multicast information policy.
Parameters	<i>policy-name</i> — Specifies the policy name. Values 32 chars max

network-domains

Syntax	network-domains
Context	config>router
Description	This command opens context for defining network-domains. This command is applicable only in the base routing context.

description

Syntax	[no] description <i>string</i>
Context	config>router>network-domains>network-domain
Description	This command creates a text description stored in the configuration file for a configuration context. The no form of the command removes the description string from the context.
Default	no description
Parameters	<i>string</i> — The description character string. Allowed values are any string up to 80 characters long composed of printable, 7-bit ASCII characters. If the string contains special character (#, \$, space, etc.), the entire string must be enclosed within double quotes.

network-domain

Syntax	network-domain <i>network-domain-name</i> [create] no network-domain <i>network-domain-name</i>
Context	config>router>network-domains
Description	This command creates network-domains that can be associated with individual interfaces and SDPs.
Default	network-domain “default”

Parameters *network-domain-name* — Network domain name character string.

router-id

Syntax **router-id** *ip-address*
no router-id

Context config>router

Description This command configures the router ID for the router instance.

The router ID is used by both OSPF and BGP routing protocols in this instance of the routing table manager. IS-IS uses the router ID value as its system ID.

When configuring a new router ID, protocols are not automatically restarted with the new router ID. The next time a protocol is initialized, the new router ID is used. This can result in an interim period of time when different protocols use different router IDs.

To force the new router ID to be used, issue the **shutdown** and **no shutdown** commands for each protocol that uses the router ID, or restart the entire router.

The **no** form of the command reverts to the default value.

Default The system uses the system interface address (which is also the loopback address). If a system interface address is not configured, use the last 32 bits of the chassis MAC address.

Parameters *router-id* — The 32 bit router ID expressed in dotted decimal notation or as a decimal value.

service-prefix

Syntax **service-prefix** *ip-prefix/mask* | *ip-prefix netmask* [**exclusive**]
no service-prefix *ip-prefix/mask* | *ip-prefix netmask*

Context config>router

Description This command creates an IP address range reserved for IES or VPLS services.

The purpose of reserving IP addresses using **service-prefix** is to provide a mechanism to reserve one or more address ranges for services.

When services are defined, the address must be in the range specified as a service prefix. If a service prefix is defined, then IP addresses assigned for services must be within one of the ranges defined in the **service-prefix** command. If the **service-prefix** command is not configured, then no limitations exist.

Addresses in the range of a service prefix can be allocated to a network port unless the exclusive parameter is used. Then, the address range is exclusively reserved for services.

When a range that is a superset of a previously defined service prefix is defined, the subset is replaced with the superset definition; for example, if a service prefix exists for 10.10.10.0/24, and a service prefix is configured as 10.10.0.0/16, then 10.10.10.0/24 is replaced by the new 10.10.0.0/16 configuration.

When a range that is a subset of a previously defined service prefix is defined, the subset replaces the existing superset, providing addresses used by services are not affected; for example, if a service

Configuration Commands

prefix exists for 10.10.0.0/16, and a service prefix is configured as 10.10.10.0/24, then the 10.10.0.0/16 entry is removed as long as no services are configured that use 10.10.x.x addresses other than 10.10.10.x.

The **no** form of the command removes all address reservations. A service prefix cannot be removed while one or more service uses an address or addresses in the range.

Default no service-prefix - no IP addresses are reserved for services.

Parameters *ip-prefix/mask* — The IP address prefix to include in the service prefix allocation in dotted decimal notation.

Values

ipv4-prefix:	a.b.c.d (host bits must be 0)
ipv4-prefix-length:	0 — 32
ipv6-prefix:	x:x:x:x:x:x:x (eight 16-bit pieces) x:x:x:x:x:d.d.d.d
	x: [0 — FFFF]H
	d: [0 — 255]D
ipv6-prefix-length:	0 — 128

Values exclusive

When this option is specified, the addresses configured are exclusively used for services and cannot be assigned to network ports.

sgt-qos

Syntax **sgt-qos**

Context config>router

Description This command configures DSCP/Dot1p re-marking for self-generated traffic.

application

Syntax **application** *dscp-app-name* **dscp** {*dscp-value* [*dscp-name*]}
application *dot1p-app-name* **dot1p** *dot1p-priority*
no application {*dscp-app-name*|*dot1p-app-name*}

Context config>router>sgt-qos

Description This command configures DSCP/Dot1p re-marking for applications.

Parameters *dscp-app-name* — Specifies the DSCP application name.

bgp, cflowd, dhcp, dns, ftp, icmp, igmp, ldp, mld, msdp, ndis, ntp, ospf, pim, radius, rip, rsvp, snmp, snmp-notification, srrp, ssh, syslog, tacplus, telnet, tftp, traceroute, vrrp

dscp-value — Specifies the DSCP value

Values 0 — 63

dscp-name — Specifies the DSCP name.

none, be, ef, cp1, cp2, cp3, cp4, cp5, cp6, cp7, cp9, cs1, cs2, cs3, cs4, cs5, nc1, nc2, af11, af12, af13, af21, af22, af23, af31, af32, af33, af41, af42, af43, cp11, cp13, cp15, cp17, cp19, cp21, cp23, cp25, cp27, cp29, cp31, cp33, cp35, cp37, cp39, cp41, cp42, cp43, cp44, cp45, cp47, cp49, cp50, cp51, cp52, cp53, cp54, cp55, cp57, cp58, cp59, cp60, cp61, cp62, cp63

dot1p-priority — Specifies the Dot1p priority.

Values none, 0 — 7

dot1p-app-name — Specifies the Dot1p application name.

Values arp, isis, pppoe

dscp

Syntax	dscp <i>dscp-name</i> fc <i>fc-name</i> no dscp <i>dscp-name</i>
Context	config>router>sgt-qos
Description	This command configures DSCP name to FC mapping.
Parameters	<p><i>dscp-name</i> — Specifies the DSCP name.</p> <p>Values be, ef, cp1, cp2, cp3, cp4, cp5, cp6, cp7, cp9, cs1, cs2, cs3, cs4, cs5, nc1, nc2, af11, af12, af13, af21, af22, af23, af31, af32, af33, af41, af42, af43, cp11, cp13, cp15, cp17, cp19, cp21, cp23, cp25, cp27, cp29, cp31, cp33, cp35, cp37, cp39, cp41, cp42, cp43, cp44, cp45, cp47, cp49, cp50, cp51, cp52, cp53, cp54, cp55, cp57, cp58, cp59, cp60, cp61, cp62, cp63</p> <p><i>fc-name</i> — Specifies the forward class name.</p> <p>Values be, l2, af, l1, h2, ef, h1, nc</p>

triggered-policy

Syntax	triggered-policy no triggered-policy
Context	config>router
Description	<p>This command triggers route policy re-evaluation.</p> <p>By default, when a change is made to a policy in the config router policy options context and then committed, the change is effective immediately. There may be circumstances when the changes should or must be delayed; for example, if a policy change is implemented that would affect every BGP peer on a 7750 SR router, the consequences could be dramatic. It would be more effective to control changes on a peer-by-peer basis.</p> <p>If the triggered-policy command is enabled, and a given peer is established, and you want the peer to remain up, in order for a change to a route policy to take effect, a clear command with the <i>soft</i> or <i>soft</i></p>

inbound option must be used; for example, **clear router bgp neighbor x.x.x.x soft**. This keeps the peer up, and the change made to a route policy is applied only to that peer or group of peers.

single-sfm-overload

Syntax	single-sfm-overload [holdoff-time <i>holdoff-time</i>] no single-sfm-overload
Context	config>router
Description	This command, if enabled, will cause the OSPF for the service to enter an overload state when the node only has a single SFM functioning. The no form of this command causes the overload state to be cleared.
Default	no single-sfm-overload
Parameters	<i>holdoff-time</i> — This parameter specifies the delay between the detection of a single SFM and enacting the overload state. Values 1— 600 seconds Default 0 seconds

static-route

Syntax	[no] static-route { <i>ip-prefix/prefix-length</i> <i>ip-prefix netmask</i> } [preference <i>preference</i>] [metric <i>metric</i>] [tag <i>tag</i>] [enable disable] next-hop <i>ip-int-name</i> <i>ip-address</i> [<i>mcast-family</i>] [bfd-enable { cpe-check <i>cpe-ip-address</i> [interval <i>seconds</i>] [drop-count <i>count</i>] [log]} { prefix-list <i>prefix-list-name</i> [all none]} { fc <i>fc-name</i> [priority { low high }}]] [ldp-sync] [no] static-route { <i>ip-prefix/prefix-length</i> <i>ip-prefix netmask</i> } [preference <i>preference</i>] [metric <i>metric</i>] [tag <i>tag</i>] [enable disable] indirect <i>ip-address</i> [ldp rsvp-te [disallow-igp]] [cpe-check <i>cpe-ip-address</i> [interval <i>seconds</i>] [drop-count <i>count</i>] [log]] { prefix-list <i>prefix-list-name</i> [all none]} { fc <i>fc-name</i> [priority { low high }}] [ldp-sync] [no] static-route { <i>ip-prefix/prefix-length</i> <i>ip-prefix netmask</i> } [preference <i>preference</i>] [metric <i>metric</i>] [tag <i>tag</i>] [enable disable] black-hole [<i>mcast-family</i>] { prefix-list <i>prefix-list-name</i> [all none]}]
Context	config>router
Description	This command creates static route entries for both the network and access routes. When configuring a static route, either next-hop , indirect or black-hole must be configured. The no form of the command deletes the static route entry. If a static route needs to be removed when multiple static routes exist to the same destination, then as many parameters to uniquely identify the static route must be entered. If a CPE connectivity check target address is already being used as the target address in a different static route, then cpe-check parameters must match. If they do not, the new configuration command will be rejected.

If a static-route command is issued with no cpe-check target but the destination prefix/netmask and next-hop matches a static route that did have an associated cpe-check, the cpe-check test will be removed from the associated static route.

Default No static routes are defined.

Parameters *ip-prefix/prefix-length* — The destination address of the static route.

Values	ipv4-prefix	a.b.c.d (host bits must be 0)
	ipv4-prefix-length	0 — 32
	ipv6-prefix	x:x:x:x:x:x:x (eight 16-bit pieces)
		x:x:x:x:x:d.d.d.d
		x [0 — FFFF]H
		d [0 — 255]D
	ipv6-prefix-length	0 — 128

ip-address — The IP address of the IP interface. The *ip-addr* portion of the **address** command specifies the IP host address that will be used by the IP interface within the subnet. This address must be unique within the subnet and specified in dotted decimal notation.

Values	ipv4-address	a.b.c.d (host bits must be 0)
	ipv6-address	x:x:x:x:x:x[-interface]
		x:x:x:x:x:d.d.d.d[-interface]
		x: [0..FFFF]H
		d: [0..255]D
		interface: 32 characters maximum, mandatory for link local addresses

netmask — The subnet mask in dotted decimal notation.

Values	0.0.0.0 — 255.255.255.255 (network bits all 1 and host bits all 0)
---------------	--

ldp-sync — Extends the LDP synchronization feature to a static route. When an interface comes back up, it is possible that a preferred static route using the interface as next-hop for a given prefix is enabled before the LDP adjacency to the peer LSR comes up on this interface. In this case, traffic on an SDP that uses the static route for the far-end address would be black-holed until the LDP session comes up and the FECs exchanged.

This option when enabled delays the activation of the static route until the LDP session comes up over the interface and the ldp-sync-timer configured on that interface has expired.

preference *preference* — The preference of this static route versus the routes from different sources such as BGP or OSPF, expressed as a decimal integer. When modifying the preference of an existing static route, the metric will not be changed unless specified.

Different protocols should not be configured with the same preference. If this occurs, the tiebreaker is according to the default preference table defined in Table 4 on page 103.

If multiple routes are learned with an identical preference using the same protocol, the lowest-cost route is used. If multiple routes are learned with an identical preference using the same protocol, and the costs (metrics) are equal, then the route to use is determined by the configuration of the **ecmp** command.

prefix-list *prefix-list-name* [**all** | **none**] — Specifies the prefix-list to be considered.

metric *metric* — The cost metric for the static route, expressed as a decimal integer. This value is used when importing the static route into other protocols such as OSPF. When the metric is

configured as 0 then the metric configured in OSPF, `default-import-metric`, applies. When modifying the metric of an existing static route, the preference will not change unless specified. This value is also used to determine which static route to install in the forwarding table:

- If there are multiple static routes with the same preference but different metrics then the lower cost (metric) route will be installed.
- If there are multiple static routes with equal preferences and metrics then ECMP rules apply .
- If there are multiple routes with different preferences then the lower preference route will be installed.

Default 1

Values 0 — 65535

next-hop [*ip-address* | *ip-int-name*] — Specifies the directly connected next hop IP address used to reach the destination. If the next hop is over an unnumbered interface or a point-to-point interface, the *ip-int-name* of the unnumbered or point-to-point interface (on this node) can be configured.

The **next-hop** keyword and the **indirect** or **black-hole** keywords are mutually exclusive. If an identical command is entered (with the exception of either the **indirect** or **black-hole** parameters), then this static route will be replaced with the newly entered command, and unless specified, the respective defaults for preference and metric will be applied.

The *ip-address* configured here can be either on the network side or the access side on this node. This address must be associated with a network directly connected to a network configured on this node.

Values

<code>ip-int-name</code>	32 chars max
<code>ipv4-address</code>	a.b.c.d
<code>ipv6-address</code>	x:x:x:x:x:x:x[-interface] x:x:x:x:x:d.d.d.d[-interface] x: [0..FFFF]H d: [0..255]D interface: 32 characters maximum, mandatory for link local addresses

indirect *ip-address* — Specifies that the route is indirect and specifies the next hop IP address used to reach the destination.

The configured *ip-addr* is not directly connected to a network configured on this node. The destination can be reachable via multiple paths. The indirect address can only resolved from dynamic routing protocol. Another static route cannot be used to resolve the indirect address.

The **indirect** keyword and the **next-hop** or **black-hole** keywords are mutually exclusive. If an identical command is entered (with the exception of either the **next-hop** or **black-hole** parameters), then this static route will be replaced with the newly entered command and unless specified the respective defaults for preference and metric will be applied.

The *ip-addr* configured can be either on the network or the access side and is normally at least one hop away from this node.

black-hole — Specifies the route is a black hole route. If the destination address on a packet matches this static route, it will be silently discarded.

The **black-hole** keyword and the **next-hop** or **indirect** keywords are mutually exclusive. If an identical command is entered (with the exception of either the **next-hop** or **indirect** parameters), then this static route will be replaced with the newly entered command, and unless specified, the respective defaults for preference and metric will be applied.

disallow-igp — This value is valid only for indirect static routes. If set and if none of the defined tunneling mechanisms (RSVP-TE, LDP or IP) qualify as a next-hop, the normal IGP next-hop to the indirect next-hop address will not be used. If not set then the IGP next-hop to the indirect next-hop address can be used as the next-hop of the last resort.

tag — Adds a 32-bit integer tag to the static route. The tag is used in route policies to control distribution of the route into other protocols.

Table 4: Default Route Preferences

Route Type	Preference	Configurable
Direct attached	0	No
Static-route	5	Yes
OSPF Internal routes	10	Yes
IS-IS level 1 internal	15	Yes
IS-IS level 2 internal	18	Yes
OSPF External	150	Yes
IS-IS level 1 external	160	Yes
IS-IS level 2 external	165	Yes
BGP	170	Yes

Default 5

Values 1 — 255

enable — Static routes can be administratively enabled or disabled. Use the **enable** parameter to re-enable a disabled static route. In order to enable a static route, it must be uniquely identified by the IP address, mask, and any other parameter that is required to identify the exact static route.

The administrative state is maintained in the configuration file.

Default enable

disable — Static routes can be administratively enabled or disabled. Use the **disable** parameter to disable a static route while maintaining the static route in the configuration. In order to enable a static route, it must be uniquely identified by the IP address, mask, and any other parameter that is required to identify the exact static route.

The administrative state is maintained in the configuration file.

Default enable

bfd-enable — Associates the state of the static route to a BFD session between the local system and the configured nexthop. This keyword cannot be configured if the nexthop is **indirect** or **blackhole** keywords are specified.

mcast-family — Enables submission of the IPv4 or IPv6 static route into IPv4 or IPv6 multicast RTM.

Values **mcast-ipv4, mcast-ipv6**

rsvp-te — This parameter allows the static route to be resolved via an RSVP-TE based LSP. The static route nexthop will be resolved via the best RSVP-TE based LSP to the associated indirect next hop. By default, if an RSVP-TE LSP is not available, the IGP route table will be used to resolve the associated nexthop. If the keyword “disallow-igp” is configured, the associated static route will not be resolved through the IPv4 route table if an RSVP-TE based LSP is not available.

cpe-check *target-ip-address* — This parameter specifies the IP address of the target CPE device. ICMP pings will be sent to this target IP address. This parameter must be configured to enable the CPE connectivity feature for the associated static route. The target-ip-address cannot be in the same subnet as the static route subnet itself to avoid possible circular references. This option is mutually exclusive with BFD support on a given static route.

Default no cpe-check enabled

interval *seconds* — This optional parameter specifies the interval between ICMP pings to the target IP address.

Values 1 —255 seconds

Default 1 seconds

drop-count *count* — This optional parameter specifies the number of consecutive ping-replies that must be missed to declare the CPE down and to de-active the associated static route.

Values 1 —255

Default 3

log — This optional parameter enables the ability to log transitions between active and in-active based on the CPE connectivity check. Events should be sent to the system log, syslog and SNMP traps.

Sample Output

```
*B:Dut-C# configure router "management"
*B:Dut-C>config>router# info
-----
      static-route 1.1.1.0/24 next-hop 172.31.117.1
      static-route 1::/96 next-hop 3000::AC1F:7567
-----
*B:Dut-C>config>router#

*B:Dut-C>config>router# show router "management" route-table
```



```

=====
Route Table (Router: management)
=====
Dest Prefix                               Type  Proto  Age           Pref
  Next Hop[Interface Name]                Metric
-----
1.1.1.0/24                                Remote Static  00h01m29s    0
      172.31.117.1                          1
138.203.0.0/16                             Remote Static  05h01m11s    0
      172.31.117.1                          1
172.31.117.0/24                             Local  Local   05h04m10s    0
      management                             0
-----
No. of Routes: 3
=====
*B:Dut-C>config>router#

```

```

*B:Dut-C>config>router# show router "management" route-table ipv6
=====
IPv6 Route Table (Router: management)
=====
Dest Prefix                               Type  Proto  Age           Pref
  Next Hop[Interface Name]                Metric
-----
1::/96                                     Remote Static  00h01m09s    5
      3000::AC1F:7567                          1
3000::/96                                  Local  Local   05h04m12s    5
      management                                0
3FFE::/96                                  Remote Static  00h00m11s    5
      3000::AC1F:7567                          0
-----
No. of Routes: 3
=====
*B:Dut-C>config>router#

```

Note that the help info output (?) is inherited from the basic router context and does not reflect the specific syntax for the management context.

Only next-hop is allowed with any extra parameters.

```

*B:Dut-C>config>router# show router "management" static-?
static-arp      static-route

```

```

*B:Dut-C>config>router# show router "management" static-route
=====
Static Route Table (Router: management)  Family: IPv4
=====
Prefix                               Tag      Met   Pref Type Act
  Next Hop                            Interface
-----
1.1.1.0/24                            0        1     5   NH  Y
      172.31.117.1                      n/a
-----
No. of Static Routes: 1
=====
*B:Dut-C>config>router#

```

```

*B:Dut-C>config>router# show router "management" static-route ipv6

```

Configuration Commands

```
=====
Static Route Table (Router: management) Family: IPv6
=====
Prefix          Tag      Met   Pref Type Act
Next Hop        Interface
-----
1::/96          0        1     5    NH   Y
  3000::AC1F:7567  management
-----
No. of Static Routes: 1
=====
*B:Dut-C>config>router#
```

Router L2TP Commands

l2tp

Syntax	l2tp
Context	config>router
Description	This command enables the context to configure L2TP parameters. L2TP extends the PPP model by allowing Layer 2 and PPP endpoints to reside on different devices interconnected by a packet-switched network.

calling-number-format

Syntax	calling-number-format <i>ascii-spec</i> no calling-number-format
Context	config>router>l2tp
Description	This command specifies the L2TP calling number AVP.
Parameters	<i>ascii-spec</i> — Specified as either char-specification or ascii-spec. <i>char-specification</i> — Ascii-char char-origin <i>char-origin</i> — % origin <i>origin</i> — S r s
Values	S : system name, the value of TIMETRA-CHASSIS_MIB::tmnxChassisName
Values	r : Agent Remote ID
Values	s : SAP ID, formatted as a character string

exclude-avps

Syntax	exclude-avps calling-number no exclude-avps
Context	config>router>l2tp
Description	This command configures the L2TP AVPs to exclude.

peer-address-change-policy

Syntax	peer-address-change-policy {accept ignore reject}
Context	config>router>l2tp

Configuration Commands

Description	This command specifies what to do in case the system receives a L2TP response from another address than the one the request was sent to.
Parameters	accept — Specifies that this system accepts any source IP address change of received L2TP control messages related to a locally originated tunnel in the state waitReply and rejects any peer address change for other tunnels; in case the new peer IP address is accepted, it is learned and used as destination address in subsequent L2TP messages. ignore — Specifies that this system ignores any source IP address change of received L2TP control messages, does not learn any new peer IP address and does not change the destination address in subsequent L2TP messages. reject — Specifies that this system rejects any source IP address change of received L2TP control messages and drops those messages.

receive-window-size

Syntax	receive-window-size [4..1024] no receive-window-size
Context	config>router>l2tp
Description	This command configures the L2TP receive window size.

session-limit

Syntax	session-limit <i>session-limit</i> no session-limit
Context	config>router>l2tp
Description	This command configures the L2TP session limit of this router.
Parameters	<i>session-limit</i> — Specifies the session limit. Values 1..131071

group

Syntax	group <i>tunnel-group-name</i> [create] no group <i>tunnel-group-name</i>
Context	config>router>l2tp
Description	This command configures an L2TP tunnel group.
Parameters	<i>tunnel-group-name</i> — Specifies a name string to identify a L2TP group up to 63 characters in length. create — This keyword is mandatory when creating a tunnel group name. The create keyword requirement can be enabled/disabled in the environment>create context.

session-limit

Syntax	session-limit <i>session-limit</i> no session-limit
Context	config>router>l2tp
Description	This command configures the L2TP session limit for the router. L2TP is connection-oriented. The L2TP Network Server (LNS) and LAC maintain state for each call that is initiated or answered by an LAC. An L2TP session is created between the LAC and LNS when an end-to-end PPP connection is established between a remote system and the LNS. Datagrams related to the PPP connection are sent over the tunnel between the LAC and LNS. There is a one to one relationship between established L2TP sessions and their associated calls.
Parameters	<i>session-limit</i> — Specifies the number of sessions allowed. Default no session-limit Values 1 — 131071

avp-hiding

Syntax	avp-hiding <i>sensitive</i> <i>always</i> no avp-hiding
Context	config>router>l2tp>group
Description	This command configures Attribute Value Pair (AVP) hiding. This capability can be used to avoid the passing of sensitive data, such as user passwords, as cleartext in an AVP. The no form of the command returns the value to never allow AVP hiding.
Parameters	<i>avp-hiding</i> — Specifies the method to be used for the authentication of the tunnels in this L2TP group.

Default	no avp-hiding
Values	sensitive — AVP hiding is used only for sensitive information (such as username/ password). always — AVP hiding is always used.

challenge

Syntax	challenge <i>always</i> no challenge
Context	config>router>l2tp>group
Description	This command configures the use of challenge-response authentication. The no form of the command reverts to the default never value.
Parameters	<i>always</i> — Specifies when challenge-response is to be used for the authentication of the tunnels in this L2TP group. Default no challenge Values always

destruct-timeout

Syntax	destruct-timeout <i>destruct-timeout</i> no destruct-timeout
Context	config>router>l2tp>group config>router>l2tp>group>tunnel
Description	This command configures the period of time that the data of a disconnected tunnel will persist before being removed. The no form of the command removes the value from the configuration.
Default	no destruct-timeout
Parameters	<i>destruct-timeout</i> — [Specifies the automatic removal of dynamic L2TP sessions, in seconds, that are no longer active. Default no destruct-timeout Values 60 — 86400

hello-interval

Syntax	hello-interval <i>hello-interval</i> no hello-interval
Context	config>router>l2tp>group
Description	This command configures the time interval between two consecutive tunnel Hello messages. The Hello message is an L2TP control message sent by either peer of a LAC-LNS control connection. This control message is used as a keepalive for the tunnel. The no form of the command removes the interval from the configuration.
Default	60
Parameters	<i>hello-interval</i> — Specifies the time interval, in seconds, between two consecutive tunnel Hello messages. Default no hello-interval Values 60 — 3600

idle-timeout

Syntax	idle-timeout <i>idle-timeout</i> no idle-timeout
Context	config>router>l2tp>group
Description	This command configures the period of time that an established tunnel with no active sessions will persist before being disconnected. Enter the no form of the command to maintain a persistent tunnel. The no form of the command removes the idle timeout from the configuration.
Default	no idle-timeout
Parameters	<i>idle-timeout</i> — Specifies the idle timeout value, in seconds until the group is removed. Default no idle-timeout Values 0 — 3600

lns-group

Syntax	lns-group <i>lns-group-id</i> no lns-group
Context	config>router>l2tp>group
Description	This command configures the ISA LNS group.

Configuration Commands

Parameters *lns-group-id* — Specifies the LNS group ID.

Values 1..4

local-address

Syntax **local-address** *ip-address*
no local-address

Context config>router>l2tp>group>tunnel

Description This command configures the local address.

Parameters *ip-address* — Specifies the IP address used during L2TP authentication.

local-name

Syntax **local-name** *host-name*
no local-name

Context config>router>l2tp>group
config>router>l2tp>group>tunnel

Description This command creates the local host name used by this system for the tunnels in this L2TP group during the authentication phase of tunnel establishment. It can be used to distinguish tunnels.

The **no** form of the command removes the name from the configuration.

Default local-name

Parameters *host-name* — Specifies the host name, up to 64 characters in length, that the router will use to identify itself during L2TP authentication.

Default no local-name

max-retries-estab

Syntax **max-retries-estab** *max-retries*
no max-retries-estab

Context config>router>l2tp>group
config>router>l2tp>group>tunnel

Description This command configures the number of retries allowed for this L2TP tunnel while it is established, before its control connection goes down.

The **no** form of the command removes the value from the configuration.

Default no max-retries-estab

Parameters	<i>max-retries</i> — Specifies the maximum number of retries for an established tunnel.
Default	no max-retries-estab
Values	2 — 7

max-retries-not-estab

Syntax	max-retries-not-estab <i>max-retries</i> no max-retries-not-estab
Context	config>router>l2tp>group config>router>l2tp>group>tunnel
Description	This command configures the number of retries allowed for this L2TP tunnel while it is not established, before its control connection goes down. The no form of the command removes the value from the configuration.
Default	no max-retries-not-estab
Parameters	<i>max-retries</i> — Specifies the maximum number of retries for non-established tunnels.
Default	no max-retries-not-estab
Values	2 — 7

password

Syntax	password <i>password</i> [hash hash2] no password
Context	config>router>l2tp>group config>router>l2tp>group>tunnel
Description	This command configures the password between L2TP LAC and LNS The no form of the command removes the password.
Default	no password
Parameters	<i>password</i> — Configures the password used for challenge/response calculation and AVP hiding. The maximum length can be up to 20 characters if unhashed, 32 characters if hashed, 54 characters if the hash2 keyword is specified. hash — Specifies the key is entered in an encrypted form. If the hash parameter is not used, the key is assumed to be in a non-encrypted, clear text form. For security, all keys are stored in encrypted hash2 — Specifies the key is entered in a more complex encrypted form. If the hash2 parameter is not used, the less encrypted hash form is assumed.
Default	no password

ppp

Syntax	ppp
Context	config>router>l2tp>group
Description	This command configures PPP for the L2TP tunnel group.

authentication

Syntax	authentication {chap pap pref-chap}
Context	config>router>l2tp>group>ppp
Description	This command configures the PPP authentication protocol to negotiate.

authentication-policy

Syntax	authentication-policy <i>auth-policy-name</i> no authentication-policy
Context	config>router>l2tp>group>ppp
Description	This command configures the authentication policy.
Parameters	<i>auth-policy-name</i> — Specifies the authentication policy name. Values 32 chars max

default-group-interface

Syntax	default-group-interface <i>ip-int-name</i> service-id <i>service-id</i> no default-group-interface
Context	config>router>l2tp>group>ppp
Description	This command configures the default group interface.
Parameters	<i>ip-int-name</i> — Specifies the interface name. Values 32 chars max <i>service-id</i> — Specifies the service ID. Values 1..2147483648 <i>svc-name</i> — Specifies the service name (instead of service ID). Values 64 chars max

keepalive

Syntax	keepalive <i>seconds</i> [hold-up-multiplier <i>multiplier</i>] no keepalive
Context	config>router>l2tp>group>ppp
Description	This command configures the PPP keepalive interval and multiplier.
Parameters	<i>seconds</i> — Specifies in seconds the interval. Values 10..300 <i>multiplier</i> — Specifies the multiplier. Values 1..5

mtu

Syntax	mtu <i>mtu-bytes</i> no mtu
Context	config>router>l2tp>group>ppp
Description	This command configures the maximum PPP MTU size.
Parameters	<i>mtu-bytes</i> — Specifies, in bytes, the maximum PPP MTU size. Values 512..9212

proxy-authentication

Syntax	[no] proxy-authentication
Context	config>router>l2tp>group>ppp
Description	This command configures the use of the authentication AVPs received from the LAC.

proxy-lcp

Syntax	[no] proxy-lcp
Context	config>router>l2tp>group>ppp
Description	This command configures the use of the proxy LCP AVPs received from the LAC.

user-db

Syntax	user-db <i>local-user-db-name</i>
---------------	--

Configuration Commands

no user-db

Context	config>router>l2tp>group>ppp
Description	This command configures the local user database to use for PPP PAP/CHAP authentication.
Parameters	<i>local-user-db-name</i> — Specifies the local user database name.
Values	32 chars max

session-assign-method

Syntax	session-assign-method <i>weighted</i> no session-assign-method
Context	config>router>l2tp>group
Description	This command specifies how new sessions are assigned to one of the set of suitable tunnels that are available or could be made available.
Default	no session-assign-method
Parameters	<i>weighted</i> — specifies that the sessions are shared between the available tunnels. If necessary, new tunnels are set up until the maximum number is reached. The distribution aims at an equal ratio of the actual number of sessions to the maximum number of sessions.
Default	no session-assign-method. All new sessions are placed by preference in existing tunnels.
Values	<i>weighted</i> — Enables weighted preference to tunnels in the group.

session-limit

Syntax	session-limit <i>session-limit</i> no session-limit
Context	config>router>l2tp>group config>router>l2tp>group>tunnel
Description	This command configures the session limit. The value controls how many L2TP session will be allowed within a given context (system, group, tunnel). The no form of the command removes the value from the configuration.
Default	no session-limit
Parameters	<i>session-limit</i> — Specifies the allowed number of sessions within the given context.
Values	1 — 131071

Router L2TP Tunnel Commands

tunnel

Syntax	tunnel <i>tunnel-name</i> [create] no tunnel <i>tunnel-name</i>
Context	config>router>l2tp>group
Description	This command configures an L2TP tunnel. A tunnel exists between a LAC-LNS pair and consists of a Control Connection and zero or more L2TP sessions. The tunnel carries encapsulated PPP datagrams and control messages between the LAC and the L2TP Network Server (LNS).
Parameters	<i>tunnel-name</i> — Specifies a valid string to identify a L2TP up to 32 characters in length. create — mandatory while creating a new tunnel

auto-establish

Syntax	[no] auto-establish
Context	config>router>l2tp>group>tunnel
Description	This command specifies if this tunnel is to be automatically set up by the system. no auto-establish

avp-hiding

Syntax	avp-hiding {never sensitive always} no avp-hiding
Context	config>router>l2tp>group>tunnel
Description	This command configures Attribute Value Pair (AVP) hiding. This capability can be used to avoid the passing of sensitive data, such as user passwords, as cleartext in an AVP. Note that it is recommended that sensitive information not be sent in clear text. The no form of the command removes the parameter of the configuration and indicates that the value on group level will be taken.
Default	no avp-hiding
Parameters	<i>avp-hiding</i> — Specifies the method to be used for the authentication of the tunnel. Values never — AVP hiding is not used. sensitive — AVP hiding is used only for sensitive information (such as username/password). always — AVP hiding is always used.

challenge

Syntax	challenge <i>challenge-mode</i> no challenge
Context	config>router>l2tp>group>tunnel
Description	This command configures the use of challenge-response authentication. The no form of the command removes the parameter from the configuration and indicates that the value on group level will be taken.
Default	no challenge
Parameters	<i>challenge-mode</i> — Specifies when challenge-response is to be used for the authentication of the tunnel. Values always — Always allows the use of challenge-response authentication. never — Never allows the use of challenge-response authentication.

hello-interval

Syntax	hello-interval <i>hello-interval</i> hello-interval infinite no hello-interval
Context	config>router>l2tp>group>tunnel
Description	This command configures the number of seconds between sending Hellos for a L2TP tunnel. The no form removes the parameter from the configuration and indicates that the value on group level will be taken.
Parameters	<i>hello-interval</i> — Specifies the time interval, in seconds, between two consecutive tunnel Hello messages. Values 60 — 3600 infinite — Specifies that no hello messages are sent.

idle-timeout

Syntax	idle-timeout <i>idle-timeout</i> idle-timeout infinite no idle-timeout
Context	config>router>l2tp>group>tunnel
Description	This command configures the idle timeout to wait before being disconnect. The no form indicates that the parameter will be removed from the configuration and that the value specified on group level will be taken.

Parameters *idle-timeout* — Specifies the idle timeout, in seconds.
Values 0 — 3600
infinite — Specifies that the tunnel will not be closed when idle.

peer

Syntax **peer** *ip-address*
no peer

Context config>router>l2tp>group>tunnel

Description This command configures the peer address.
The **no** form of the command removes the IP address from the tunnel configuration.

Default no peer

Parameters *ip-address* — Sets the LNS IP address for the tunnel.

preference

Syntax **preference** *preference*
no preference

Context config>router>l2tp>group>tunnel

Description This command configures a preference number that indicates the relative preference assigned to a tunnel when using a weighted session assignment.
The **no** form of the command removes the preference value from the tunnel configuration.

Default no preference

Parameters *preference* — Specifies the tunnel preference number with its group. The value 0 corresponds to the highest preference.
Values 0 — 16777215

remote-name

Syntax **remote-name** *host-name*
no remote-name

Context config>router>l2tp>group>tunnel

Description This command configures a string to be compared to the host name used by the tunnel peer during the authentication phase of tunnel establishment.

Parameters *host-name* — Specifies a remote host name for the tunnel up to 64 characters in length.

Router Interface Commands

interface

Syntax	[no] interface <i>ip-int-name</i>
Context	config>router
Description	<p>This command creates a logical IP routing interface. Once created, attributes like IP address, port, or system can be associated with the IP interface.</p> <p>Interface names are case-sensitive and must be unique within the group of IP interfaces defined for config router interface and config service ies interface. Interface names must not be in the dotted decimal notation of an IP address.; for example, the name “1.1.1.1” is not allowed, but “int-1.1.1.1” is allowed. Show commands for router interfaces use either the interface names or the IP addresses. Ambiguity can exist if an IP address is used as an IP address and an interface name. Duplicate interface names can exist in different router instances, although this is not recommended because it is confusing.</p> <p>When a new name is entered, a new logical router interface is created. When an existing interface name is entered, the user enters the router interface context for editing and configuration.</p> <p>Although not a keyword, the ip-int-name “system” is associated with the network entity (such as a specific 7450 ESS), not a specific interface. The system interface is also referred to as the loopback address.</p> <p>The no form of the command removes the IP interface and all the associated configurations. The interface must be administratively shut down before issuing the no interface command.</p>
Default	No interfaces or names are defined within the system.
Parameters	<p><i>ip-int-name</i> — The name of the IP interface. Interface names must be unique within the group of defined IP interfaces for config router interface and config service ies interface commands. An interface name cannot be in the form of an IP address. If the string contains special characters (#, \$, spaces, etc.), the entire string must be enclosed within double quotes.</p> <p>Values 1 — 32 alphanumeric characters.</p> <p>If the <i>ip-int-name</i> already exists, the context is changed to maintain that IP interface. If <i>ip-int-name</i> already exists within another service ID or is an IP interface defined within the config router commands, an error will occur and the context will not be changed to that IP interface. If <i>ip-int-name</i> does not exist, the interface is created and the context is changed to that interface for further command processing.</p>

address

Syntax	address { <i>ip-address/mask</i> <i>ip-address netmask</i> } [broadcast { all-ones / host-ones }] no address
Context	config>router>interface
Description	<p>This command assigns an IP address, IP subnet, and broadcast address format to an IP interface. Only one IP address can be associated with an IP interface.</p> <p>An IP address must be assigned to each IP interface. An IP address and a mask combine to create a local IP prefix. The defined IP prefix must be unique within the context of the routing instance. It cannot overlap with other existing IP prefixes defined as local subnets on other IP interfaces in the same routing context within the router.</p> <p>The local subnet that the address command defines must not be part of the services address space within the routing context by use of the config router service-prefix command. Once a portion of the address space is allocated as a service prefix, that portion is not available to IP interfaces for network core connectivity.</p> <p>The IP address for the interface can be entered in either CIDR (Classless Inter-Domain Routing) or traditional dotted decimal notation. Show commands display CIDR notation and are stored in configuration files.</p> <p>By default, no IP address or subnet association exists on an IP interface until it is explicitly created.</p> <p>The no form of the command removes the IP address assignment from the IP interface. Interface-specific configurations for IGP protocols like OSPF are also removed. The no form of this command can only be performed when the IP interface is administratively shut down. Shutting down the IP interface will operationally stop any protocol interfaces or MPLS LSPs that explicitly reference that IP address. When a new IP address is defined, the IP interface can be administratively enabled (no shutdown), which reinitializes the protocol interfaces and MPLS LSPs associated with that IP interface.</p> <p>If a new address is entered while another address is still active, the new address will be rejected.</p>
Default	No IP address is assigned to the IP interface.
Parameters	<p><i>ip-address</i> — The IP address of the IP interface. The <i>ip-addr</i> portion of the address command specifies the IP host address that will be used by the IP interface within the subnet. This address must be unique within the subnet and specified in dotted decimal notation.</p> <p>Values 1.0.0.0 — 223.255.255.255</p> <p><i>/</i> — The forward slash is a parameter delimiter that separates the <i>ip-addr</i> portion of the IP address from the mask that defines the scope of the local subnet. No spaces are allowed between the <i>ip-addr</i>, the “/” and the <i>mask-length</i> parameter. If a forward slash does not immediately follow the <i>ip-addr</i>, a dotted decimal mask must follow the prefix.</p> <p><i>mask-length</i> — The subnet mask length when the IP prefix is specified in CIDR notation. When the IP prefix is specified in CIDR notation, a forward slash (/) separates the <i>ip-addr</i> from the <i>mask-length</i> parameter. The mask length parameter indicates the number of bits used for the network portion of the IP address; the remainder of the IP address is used to determine the host portion of the IP address. Allowed values are integers in the range 1— 32. Note that a mask length of 32 is reserved for system IP addresses.</p> <p>Values 1 — 32</p>

mask — The subnet mask in dotted decimal notation. When the IP prefix is not specified in CIDR notation, a space separates the *ip-addr* from a traditional dotted decimal mask. The *mask* parameter indicates the complete mask that will be used in a logical ‘AND’ function to derive the local subnet of the IP address. Note that a mask of 255.255.255.255 is reserved for system IP addresses.

Values 128.0.0.0 — 255.255.255.255

netmask — The subnet mask in dotted decimal notation.

Values 0.0.0.0 — 255.255.255.255 (network bits all 1 and host bits all 0)

broadcast {all-ones | host-ones} — The optional **broadcast** parameter overrides the default broadcast address used by the IP interface when sourcing IP broadcasts on the IP interface. If no broadcast format is specified for the IP address, the default value is **host-ones**, which indicates a subnet broadcast address. Use this parameter to change the broadcast address to **all-ones** or revert back to a broadcast address of **host-ones**.

The **all-ones** keyword following the **broadcast** parameter specifies that the broadcast address used by the IP interface for this IP address will be 255.255.255.255, also known as the local broadcast.

The **host-ones** keyword following the **broadcast** parameter specifies that the broadcast address used by the IP interface for this IP address will be the subnet broadcast address. This is an IP address that corresponds to the local subnet described by the *ip-addr* and the *mask-length* or *mask* with all the host bits set to binary 1. This is the default broadcast address used by an IP interface.

The **broadcast** parameter within the **address** command does not have a negate feature, which is usually used to revert a parameter to the default value. To change the **broadcast** type to **host-ones** after being changed to **all-ones**, the **address** command must be executed with the **broadcast** parameter defined.

The broadcast format on an IP interface can be specified when the IP address is assigned or changed.

This parameter does not affect the type of broadcasts that can be received by the IP interface. A host sending either the local broadcast (**all-ones**) or the valid subnet broadcast address (**host-ones**) will be received by the IP interface.

Default host-ones

Values all-ones, host-ones

allow-directed-broadcasts

Syntax [no] allow-directed-broadcasts

Context config>router>interface

Description This command enables the forwarding of directed broadcasts out of the IP interface.

A directed broadcast is a packet received on a local router interface destined for the subnet broadcast address of another IP interface. The **allow-directed-broadcasts** command on an IP interface enables

or disables the transmission of packets destined to the subnet broadcast address of the egress IP interface.

When enabled, a frame destined to the local subnet on this IP interface is sent as a subnet broadcast out this interface. **NOTE:** Allowing directed broadcasts is a well-known mechanism used for denial-of-service attacks.

By default, directed broadcasts are not allowed and are discarded at this egress IP interface.

The **no** form of the command disables directed broadcasts forwarding out of the IP interface.

Default no allow-directed-broadcasts — Directed broadcasts are dropped.

arp-timeout

Syntax **arp-timeout** *seconds*
no arp-timeout

Context config>router>interface

Description This command configures the minimum time, in seconds, an ARP entry learned on the IP interface is stored in the ARP table. ARP entries are automatically refreshed when an ARP request or gratuitous ARP is seen from an IP host. Otherwise, the ARP entry is aged from the ARP table. If the **arp-timeout** value is set to 0 seconds, ARP aging is disabled.

The **no** form of the command reverts to the default value.

Default 14400 seconds (4 hours)

Parameters *seconds* — The minimum number of seconds a learned ARP entry is stored in the ARP table, expressed as a decimal integer. A value of 0 specifies that the timer is inoperative and learned ARP entries will not be aged.

Values 0 — 65535

bfd

Syntax **bfd** *transmit-interval* [**receive** *receive-interval*] [**multiplier** *multiplier*] [**echo-receive** *echo-interval*] [**type** *cpm-np*]
no bfd

Context config>router>interface
config>router>interface>ipv6

Description This command specifies the bi-directional forwarding detection (BFD) parameters for the associated IP interface. If no parameters are defined the default values are used.

The multiplier specifies the number of consecutive BFD messages that must be missed from the peer before the BFD session state is changed to down and the upper level protocols (OSPF, IS-IS, BGP or PIM) is notified of the fault.

The **no** form of the command removes BFD from the router interface regardless of the IGP/RSVP.

Important notes: On the 7750-SR the *transmit-interval* and **receive** *receive-interval* values can only

be modified to a value less than 100 ms when:

1. The **type cpm-np option** is explicitly configured.
2. The service is shut down (**shutdown**)
3. The interval is specified 10 — 100000.
4. The service is re-enabled (**no shutdown**)

To remove the **type cpm-np** option, re-issue the **bfd** command without specifying the **type** parameter.

Default no bfd

Parameters *transmit-interval* — Sets the transmit interval, in milliseconds, for the BFD session.

Values 10 — 100000
10 — 100000 (see Important Notes above)

Default 100

receive *receive-interval* — Sets the receive interval, in milliseconds, for the BFD session.

Values 10 — 100000
10 — 100000 (see Important Notes above)

Default 100

multiplier *multiplier* — Set the multiplier for the BFD session.

Values 3— 20

Default 3

echo-receive *echo-interval* — Sets the minimum echo receive interval, in milliseconds, for the session.

Values 100 — 100000

Default 100

type cpm-np — Selects the CPM network processor as the local termination point for the BFD session. See Important Notes, above.

cflowd

Syntax **cflowd** {*acl* | *interface*}
no cflowd

Context config>router>interface

Description This command enables **cflowd** to collect traffic flow samples through a router for analysis. **cdflowd** is used for network planning and traffic engineering, capacity planning, security, and application, as well as user profiling, performance monitoring, and SLA measurement. When **cflowd** is enabled at the interface level, all IP packets forwarded by the interface are subjected to analysis according to the **cflowd** configuration.

Default	no cflowd
Parameters	<i>acl</i> — <i>cflowd</i> policy associated with a filter. <i>interface</i> — <i>cflowd</i> policy associated with an IP interface.

cpu-protection

Syntax	cpu-protection <i>policy-id</i> no cpu-protection
Context	config>router>interface
Description	This command assigns an existing CPU protection policy for the interface. The CPU protection policies are configured in the config>sys>security>cpu-protection>policy <i>cpu-protection-policy-id</i> context.
Parameters	<i>policy-id</i> — Specifies an existing CPU protection policy.
Values	1 — 255

delayed-enable

Syntax	delayed-enable <i>seconds</i> no delayed-enable
Context	config>router>if
Description	This command creates a delay to make the interface operational by the specified number of seconds. The value is used whenever the system attempts to bring the interface operationally up.
Parameters	<i>seconds</i> — Specifies a delay, in seconds, to make the interface operational.
Values	1 — 1200

local-proxy-arp

Syntax	[no] local-proxy-arp
Context	config>router>interface
Description	This command enables local proxy ARP on the interface.
Default	no local-proxy-arp

ldp-shortcut

Syntax	[no] ldp-shortcut
Context	config>router
Description	<p>This command enables the resolution of IGP routes using LDP LSP across all network interfaces participating in the IS-IS and OSPF routing protocol in the system.</p> <p>When LDP shortcut is enabled, LDP populates the routing table with next-hop entries corresponding to all prefixes for which it activated an LDP FEC. For a given prefix, two route entries are populated in the system routing table. One route corresponds to the LDP shortcut next-hop and has an owner of LDP. The other route is the regular IP next-hop. The LDP shortcut next-hop always has preference over the regular IP next-hop for forwarding user packets and specified control packets over a given outgoing interface to the route next-hop.</p> <p>All user and specified control packets for which the longest prefix match in RTM yields the FEC prefix will be forwarded over the LDP LSP.</p> <p>When an IPv4 packet is received on an ingress network interface, a subscriber IES interface, or a regular IES interface, the lookup of the packet by the ingress IOM will result in the packet being sent labeled with the label stack corresponding to the NHLFE of the LDP LSP when the preferred RTM entry corresponds to an LDP shortcut.</p> <p>If the preferred RTM entry corresponds to an IP next-hop, the IPv4 packet is forwarded unlabelled.</p> <p>When ECMP is enabled and multiple equal-cost next-hops exit for the IGP route, the ingress IOM will spray the packets for this route based on hashing routine currently supported for IPv4 packets. When the preferred RTM entry corresponds to an LDP shortcut route, spraying will be performed across the multiple next-hops for the LDP FEC. The FEC next-hops can either be direct link LDP neighbors or T-LDP neighbors reachable over RSVP LSPs in the case of LDP-over-RSVP but not both.</p> <p>When the preferred RTM entry corresponds to a regular IP route, spraying will be performed across regular IP next-hops for the prefix..</p> <p>The no form of this command disables the resolution of IGP routes using LDP shortcuts.</p>
Default	no ldp-shortcut

ldp-sync-timer

Syntax	ldp-sync-timer <i>seconds</i> no ldp-sync-timer
Context	config>router>interface
Description	<p>This command enables synchronization of IGP and LDP. When a link is restored after a failure, IGP sets the link cost to infinity and advertises it. The actual value advertised in OSPF is 0xFFFF (65535). The actual value advertised in IS-IS regular metric is 0x3F (63) and in IS-IS wide-metric is 0xFFFFFE (16777214). This feature is not supported on RIP interfaces.</p> <p>Note that if an interface belongs to both IS-IS and OSPF, a physical failure will cause both IGP to advertise infinite metric and to follow the IGP-LDP synchronization procedures. If only one IGP</p>

bounced on this interface or on the system, then only the affected IGP advertises the infinite metric and follow the IGP-LDP synchronization procedures.

Next LDP hello adjacency is brought up with the neighbour. The LDP synchronization timer is started by IGP from the time the LDP session to the neighbor is UP over the interface. This is to allow time for the label-FEC bindings to be exchanged.

When the LDP synchronization timer expires, the link cost is restored and is re-advertised. IGP will announce a new best next-hop and LDP will use it if the label binding for the neighbor's FEC is available.

If the user changes the cost of an interface, the new value is advertised at the next flooding of link attributes by IGP. However, if the LDP synchronization timer is still running, the new cost value will only be advertised after the timer expired. Also, the new cost value will be advertised after the user executes any of the following commands if the currently advertised cost is different:

- `tools>perform>router>isis>ldp-sync-exit`
- `tools>perform>router>ospf>ldp-sync-exit`
- `config>router>interface>no ldp-sync-timer`
- `config>router>ospf>disable-ldp-sync`
- `router>isis>disable-ldp-sync`

If the user changes the value of the LDP synchronization timer parameter, the new value will take effect at the next synchronization event. In other words, if the timer is still running, it will continue using the previous value.

If parallel links exist to the same neighbor, then the bindings and services should remain UP as long as there is one interface that is UP. However, the user configured LDP synchronization timer still applies on the failed then restored interface. In this case, the 7750 will only consider this interface for forwarding after IGP re-advertised its actual cost value.

Note that the LDP Sync Timer State is not always synched across to the standby CPM, so after an activity switch the timer state might not be same as it was on the previous active CPM.

The **no** form of this command disables IGP/LDP synchronization and deletes the configuration

Default	no ldp-sync-timer
Parameters	<i>seconds</i> — Specifies the time interval for the IGP-LDP synchronization timer in seconds.
Values	1 – 1800

loopback

Syntax	<code>[no] loopback</code>
Context	<code>config>router>interface</code>
Description	This command configures the interface as a loopback interface.
Default	Not enabled

lsr-load-balancing

Syntax	lsr-load-balancing <i>hashing-algorithm</i> no lsr-load-balancing
Context	config>router>if
Description	This command specifies whether the IP header is used in the LAG and ECMP LSR hashing algorithm. This is the per interface setting.
Default	no lsr-load-balancing
Parameters	lbl-only — Only the label is used in the hashing algorithm. lbl-ip — The IP header is included in the hashing algorithm. ip-only — the IP header is used exclusively in the hashing algorithm

mac

Syntax	mac <i>ieee-mac-addr</i> no mac
Context	config>router>interface
Description	This command assigns a specific MAC address to an IP interface. Only one MAC address can be assigned to an IP interface. When multiple mac commands are entered, the last command overwrites the previous command. The no form of the command returns the MAC address of the IP interface to the default value.
Default	IP interface has a system-assigned MAC address.
Parameters	<i>ieee-mac-addr</i> — Specifies the 48-bit MAC address for the IP interface in the form <i>aa:bb:cc:dd:ee:ff</i> or <i>aa-bb-cc-dd-ee-ff</i> , where <i>aa</i> , <i>bb</i> , <i>cc</i> , <i>dd</i> , <i>ee</i> and <i>ff</i> are hexadecimal numbers. Allowed values are any non-broadcast, non-multicast MAC and non-IEEE reserved MAC addresses.

multihoming

Syntax	[no] multihoming primary secondary [hold-time holdover-time]
Context	config>router>interface
Description	This command sets the associated loopback interface to be an anycast address used in multi-homing resiliency, as either the primary or a secondary (a primary address on the alternate router). The optional hold-time parameter is only applicable for the secondary context and specifies how long label information learned about the secondary anycast address should be kept after that peer is declared down. This timer should be set to a value large enough for the remainder of the network to detect the failure and complete the reconvergence process. The no form of the command disables this setting.

Default	no multihoming
Parameters	<i>holdover-time</i> — Specifies the number of seconds the router should hold label information learned from the alternate router in its secondary table. This is to allow the reset of the network to reconverge after a router failure before the anycase based label assignments are flushed from the forwarding plane.
Values	0 - 65535
Default	90

network-domain

Syntax	network-domain <i>network-domain-name</i> no network-domain
Context	config>router>interface
Description	This command assigns a given interface to a given network-domain. The network-domain is then taken into account during sap-ingress queue allocation for VPLS SAP. The network-domain association can only be done in a base-routing context. Associating a network domain with an loop-back or system interface will be rejected. Associating a network-domain with an interface that has no physical port specified will be accepted, but will have no effect as long as a corresponding port, or LAG, is defined.. Single interfaces can be associated with multiple network-domains.
Default	per default “default” network domain is assigned

ntp-broadcast

Syntax	[no] ntp-broadcast
Context	config>router>interface
Description	This command enables SNTP broadcasts received on the IP interface. This parameter is only valid when the SNTP broadcast-client global parameter is configured. The no form of the command disables SNTP broadcast received on the IP interface.
Default	no ntp-broadcast

port

Syntax	port <i>port-name</i> no port
Context	config>router>interface
Description	This command creates an association with a logical IP interface and a physical port.

An interface can also be associated with the system (loopback address).

The command returns an error if the interface is already associated with another port or the system. In this case, the association must be deleted before the command is re-attempted. The *port-id* can be in one of the following forms:

- Ethernet Interfaces

If the card in the slot has MDAs, *port-id* is in the *slot_number/MDA_number/port_number* format; for example, **1/1/3** specifies port 3 of the MDA installed in MDA slot 1 on the card installed in chassis slot 1.

- SONET/SDH interfaces

When the *port-id* represents a POS interface, the *port-id* must include the *channel-id*. The POS interface must be configured as a **network** port.

The **no** form of the command deletes the association with the port. The **no** form of this command can only be performed when the interface is administratively down.

Default No port is associated with the IP interface.

Parameters *port-id* — The physical port identifier to associate with the IP interface.

Values	port-id	<i>slot/mda/port[.channel]</i>
	bundle-id	<i>bundle-type-slot/mda.bundle-num</i>
	bundle	keyword
	type	ima, ppp
	bundle-num	1 — 256
	bpgrp-id	<i>bpgrp-type-bpgrp-num</i>
	bpgrp	keyword
	type	ima, ppp
	bpgrp-num	1 — 1280
	aps-id	<i>aps-group-id[.channel]</i>
	aps	keyword
	group-id	1 — 64
	ccag-id	<i>- ccag-id.path-id[cc-type]</i>
	ccag	keyword
	id	1 — 8
	path-id	a, b
	cc-type	.sap-net, .net-sap
	eth-tunnel-id	<i>- eth-tunnel-id</i>
	eth-tunnel	keyword
	id	1 — 64
	lag-id	<i>lag-id</i>
	lag	keyword
	id	1 — 200

proxy-arp-policy

Syntax **[no] proxy-arp-policy** *policy-name* [*policy-name...*(up to 5 max)]

Context	config>router>interface
Description	<p>This command enables and configure proxy ARP on the interface and specifies an existing policy-statement to analyze match and action criteria that controls the flow of routing information to and from a given protocol, set of protocols, or a particular neighbor. The policy-name is configured in the config>router>policy-options context.</p> <p>Use proxy ARP so the 7750 SR responds to ARP requests on behalf of another device. Static ARP is used when a 7750 SR needs to know about a device on an interface that cannot or does not respond to ARP requests. Thus, the 7750 SR OS configuration can state that if it has a packet that has a certain IP address to send it to the corresponding ARP address.</p>
Default	no proxy-arp-policy
Parameters	<i>policy-name</i> — The export route policy name. Allowed values are any string up to 32 characters long composed of printable, 7-bit ASCII characters. If the string contains special characters (#, \$, spaces, etc.), the entire string must be enclosed within double quotes. The specified policy name(s) must already be defined.

qos

Syntax	qos <i>network-policy-id</i> [queue-redirect-group <i>queue-group-name</i>] no qos
Context	config>router>interface
Description	<p>This command associates a network Quality of Service (QoS) policy with an IP interface. Only one network QoS policy can be associated with an IP interface at one time. Attempts to associate a second QoS policy return an error.</p> <p>Packets are marked using QoS policies on edge devices. Invoking a QoS policy on a network port allows for the packets that match the policy criteria to be remarked.</p> <p>The queue-redirect-group parameter creates an association between the IP interface and an egress port queue group. When the network QoS policy ID contains an egress forwarding plane that is directed to a queue group queue ID, the network QoS policy must be applied to the IP interface with a valid egress port queue group name. The queue group name must exist on the egress port associated with the IP interface and the group must contain a queue ID matching the queue ID for each redirected forwarding class in the QoS policy.</p> <p>The IP interface may redirect its forwarding classes to a single port queue group. Forwarding classes that are not redirected to a queue within the group are mapped to the default forwarding class egress queue on the port.</p> <p>If the QoS command is re-executed without the queue-redirect-group parameter specified, all forwarding classes will be remapped to the default port forwarding class egress queues.</p> <p>The no form of the command removes the QoS policy association from the SAP or IP interface, and the QoS policy reverts to the default.</p>
Default	qos 1 — IP interface associated with network QoS policy 1.

- Parameters** *network-policy-id* — An existing network policy ID to associate with the IP interface.
- Values** 1 — 65535
- queue-redirect-group** *queue-group-name* — This optional parameter specifies that the *queue-group-name* will be used for all egress forwarding class redirections within the network QoS policy ID. The specified *queue-group-name* must exist as a port egress queue group on the port associated with the IP interface.

remote-proxy-arp

- Context** config>router>interface
- Description** This command enables remote proxy ARP on the interface.
- Default** no remote-proxy-arp

secondary

- Syntax** **secondary** {[*ip-address/mask* | *ip-address netmask*]} [**broadcast** {**all-ones** | **host-ones**}] [**igp-inhibit**]
no secondary *ip-addr*
- Context** config>router>interface
- Description** Use this command to assign up to 16 secondary IP addresses to the interface. Each address can be configured in an IP address, IP subnet or broadcast address format.
- ip-address* — The IP address of the IP interface. The *ip-address* portion of the **address** command specifies the IP host address that will be used by the IP interface within the subnet. This address must be unique within the subnet and specified in dotted decimal notation.
- Values** 1.0.0.0 — 223.255.255.255
- /* — The forward slash is a parameter delimiter that separates the *ip-address* portion of the IP address from the mask that defines the scope of the local subnet. No spaces are allowed between the *ip-addr*, the “*P*” and the *mask-length* parameter. If a forward slash does not ediatly follow the *ip-addr*, a dotted decimal mask must follow the prefix.
- mask-length* — The subnet mask length when the IP prefix is specified in CIDR notation. When the IP prefix is specified in CIDR notation, a forward slash (*/*) separates the *ip-address* from the *mask-length* parameter. The mask length parameter indicates the number of bits used for the network portion of the IP address; the remainder of the IP address is used to determine the host portion of the IP address. Allowed values are integers in the range 1— 32. Note that a mask length of 32 is reserved for system IP addresses.
- Values** 1 — 32
- mask* — The subnet mask in dotted decimal notation. When the IP prefix is not specified in CIDR notation, a space separates the *ip-addr* from a traditional dotted decimal mask. The *mask* parameter indicates the complete mask that will be used in a logical ‘AND’ function to derive the

local subnet of the IP address. Note that a mask of 255.255.255.255 is reserved for system IP addresses.

Values 128.0.0.0 — 255.255.255.255

broadcast {all-ones | host-ones} — The optional **broadcast** parameter overrides the default broadcast address used by the IP interface when sourcing IP broadcasts on the IP interface. If no broadcast format is specified for the IP address, the default value is **host-ones**, which indicates a subnet broadcast address. Use this parameter to change the broadcast address to **all-ones** or revert back to a broadcast address of **host-ones**.

The **all-ones** keyword following the **broadcast** parameter specifies that the broadcast address used by the IP interface for this IP address will be 255.255.255.255, also known as the local broadcast.

The **host-ones** keyword following the **broadcast** parameter specifies that the broadcast address used by the IP interface for this IP address will be the subnet broadcast address. This is an IP address that corresponds to the local subnet described by the *ip-addr* and the *mask-length* or *mask* with all the host bits set to binary 1. This is the default broadcast address used by an IP interface.

The **broadcast** parameter within the **address** command does not have a negate feature, which is usually used to revert a parameter to the default value. To change the **broadcast** type to **host-ones** after being changed to **all-ones**, the **address** command must be executed with the **broadcast** parameter defined.

The broadcast format on an IP interface can be specified when the IP address is assigned or changed.

This parameter does not affect the type of broadcasts that can be received by the IP interface. A host sending either the local broadcast (**all-ones**) or the valid subnet broadcast address (**host-ones**) will be received by the IP interface.

igp-inhibit — The secondary IP address should not be recognized as a local interface by the running IGP.

static-arp

Syntax	static-arp <i>ip-addr ieee-mac-addr</i> no static-arp <i>ip-addr</i>
Context	config>router>interface
Description	<p>This command configures a static Address Resolution Protocol (ARP) entry associating an IP address with a MAC address for the core router instance. This static ARP appears in the core routing ARP table. A static ARP can only be configured if it exists on the network attached to the IP interface.</p> <p>If an entry for a particular IP address already exists and a new MAC address is configured for the IP address, the existing MAC address is replaced by the new MAC address.</p> <p>The number of static-arp entries that can be configured on a single node is limited to 1000.</p> <p>Static ARP is used when a 7750 SR needs to know about a device on an interface that cannot or does not respond to ARP requests. Thus, the 7750 SR OS configuration can state that if it has a packet that</p>

Configuration Commands

has a certain IP address to send it to the corresponding ARP address. Use proxy ARP so the 7750 SR responds to ARP requests on behalf of another device.

The **no** form of the command removes a static ARP entry.

Default No static ARPs are defined.

Parameters *ip-addr* — Specifies the IP address for the static ARP in IP address dotted decimal notation.

ieee-mac-addr — Specifies the 48-bit MAC address for the static ARP in the form *aa:bb:cc:dd:ee:ff* or *aa-bb-cc-dd-ee-ff*, where *aa*, *bb*, *cc*, *dd*, *ee* and *ff* are hexadecimal numbers. Allowed values are any non-broadcast, non-multicast MAC and non-IEEE reserved MAC addresses.

strip-label

Syntax **[no] strip-label**

Context config>router>interface

Description This command forces packets to be stripped of all (max 5) MPLS labels before the packets are handed over for possible filter (PBR) processing.

If the packets do not have an IP header ediatly following the MPLS label stack after the strip, they are discarded. Only MPLS encapsulated IP, IGP shortcuts and VPRN over MPLS packets will be processed.

This command is only supported on:

- Optical ports
- IOM3-XP cards
- Null/Dot1q encaps
- Network ports
- IPv4

The no form removes the strip-label command.

In order to associate an interface that is configured with the strip-label parameter with a port, the port must be configured as single-fiber for the command to be valid.

Default no strip-label

tos-marking-state

Syntax **tos-marking-state {trusted | untrusted}**
no tos-marking-state

Context config>router>interface

Description This command is used on a network IP interface to alter the default trusted state to a non-trusted state. When unset or reverted to the trusted default, the ToS field will not be remarked by egress network IP interfaces unless the egress network IP interface has the remark-trusted state set, in which case the

egress network interface treats all IES and network IP interface as untrusted.

When the ingress network IP interface is set to untrusted, all egress network IP interfaces will remark IP packets received on the network interface according to the egress marking definitions on each network interface. The egress network remarking rules also apply to the ToS field of IP packets routed using IGP shortcuts (tunneled to a remote next-hop). However, the tunnel QoS markings are always derived from the egress network QoS definitions.

Egress marking and remarking is based on the internal forwarding class and profile state of the packet once it reaches the egress interface. The forwarding class is derived from ingress classification functions. The profile of a packet is either derived from ingress classification or ingress policing. The default marking state for network IP interfaces is trusted. This is equivalent to declaring no tos-marking-state on the network IP interface. When undefined or set to tos-marking-state trusted, the trusted state of the interface will not be displayed when using show config or show info unless the detail parameter is given. The **save config** command will not store the default tos-marking-state trusted state for network IP interfaces unless the detail parameter is also specified.

The **no tos-marking-state** command is used to restore the trusted state to a network IP interface. This is equivalent to executing the tos-marking-state trusted command.

Default	trusted
Parameters	<p>trusted — The default prevents the ToS field to not be remarked by egress network IP interfaces unless the egress network IP interface has the remark-trusted state set</p> <p>untrusted — Specifies that all egress network IP interfaces will remark IP packets received on the network interface according to the egress marking definitions on each network interface.</p>

unnumbered

Syntax	unnumbered [<i>ip-address</i> <i>ip-int-name</i>] no unnumbered
Context	config>router>interface
Description	<p>This command sets an IP interface as an unnumbered interface and specifies the IP address to be used for the interface.</p> <p>To conserve IP addresses, unnumbered interfaces can be configured. The address used when generating packets on this interface is the <i>ip-addr</i> parameter configured.</p> <p>An error message will be generated if an unnumbered interface is configured, and an IP address already exists on this interface.</p> <p>The no form of the command removes the IP address from the interface, effectively removing the unnumbered property. The interface must be shutdown before no unnumbered is issued to delete the IP address from the interface, or an error message will be generated.</p>
Parameters	<i>ip-addr</i> / <i>ip-int-name</i> — Optional. The IP address or IP interface name to associate with the unnumbered IP interface in dotted decimal notation. The configured IP address must exist on this node. It is recommended to use the system IP address as it is not associated with a particular interface and is therefore always reachable. The system IP address is the default if <i>ip-addr</i> or <i>ip-int-name</i> is configured.
Default	no unnumbered

urpf-check

Syntax	[no] urpf-check
Context	config>router>if
Description	<p>This command enables unicast RPF (uRPF) Check on this interface.</p> <p>The no form of the command disables unicast RPF (uRPF) Check on this interface.</p>
Default	disabled

mode

Syntax	mode { strict loose } no mode
Context	config>router>if>urpf-check
Description	<p>This command specifies the mode of unicast RPF check.</p> <p>The no form of the command reverts to the default (strict) mode.</p>

Default	strict
Parameters	<p>strict — When specified, uRPF checks whether incoming packet has a source address that matches a prefix in the routing table, and whether the interface expects to receive a packet with this source address prefix.</p> <p>loose — In loose mode, uRPF checks whether incoming packet has source address with a corresponding prefix in the routing table. However, the loose mode does not check whether the interface expects to receive a packet with a specific source address prefix. This object is valid only when urpf-check is enabled.</p>

mh-primary-interface

Syntax	[no] mh-primary-interface
Context	config>router
Description	<p>This command creates a loopback interface for use in multihoming resiliency. Once active, this interface can be used to advertise reachability information to the rest of the network using the primary address, which is backed up by the secondary.</p> <p>The reachability for this address is advertised via IGP and LDP protocols to allow the resolution of BGP routes advertised with this address.</p> <p>The no form of the command disables this setting.</p>
Default	no multihoming

address

Syntax	address { <i>ip-address/mask</i> <i>ip-address netmask</i> } no address
Context	config>router>mh-primary-interface config>router>mh-secondary-interface
Description	<p>This command assigns an IP address, IP subnet and broadcast address format to an IP interface. Only one IP address can be associated with an IP interface. An IP address must be assigned to each IP interface for the interface to be active. An IP address and a mask combine to create a local IP prefix. The defined IP prefix must be unique within the context of the routing instance. It cannot overlap with other existing IP prefixes defined as local subnets on other IP interface in the same routing context within the router.</p> <p>The local subnet that the address command defines must not be part of the services address space within the routing context by use of the config>router>service-prefix command. Once a portion of the address space is allocated as a service prefix, that portion is not available to IP interfaces for network core connectivity. The IP address for the interface can be entered in either CIDR (Classless Inter-Domain Routing) or traditional dotted decimal notation. Show commands display CIDR notation and are stored in configuration files.</p> <p>By default, no IP address or subnet association exists on an IP interface until it is explicitly created.</p>

The no form of the command removes the IP address assignment from the IP interface. Interface specific configurations for IGP protocols like OSPF are also removed. The no form of this command can only be performed when the IP interface is administratively shut down. Shutting down the IP interface will operationally stop any protocol interfaces or MPLS LSPs that explicitly reference that IP address. When a new IP address is defined, the IP interface can be administratively enabled (no shutdown), which reinitializes the protocol interfaces and MPLS LSPs associated with that IP interface.

If a new address is entered while another address is still active, the new address will be rejected.

Parameters

ip-address — The IP address of the IP interface. The ip-addr portion of the address command specifies the IP host address that will be used by the IP interface within the subnet. This address must be unique within the subnet and specified in dotted decimal notation.

Values 1.0.0.0 - 223.255.255.255

/ — The forward slash is a parameter delimiter that separates the ip-addr portion of the IP address from the mask that defines the scope of the local subnet. No spaces are allowed between the ip-addr, the “/” and the mask-length parameter. If a forward slash does not immediately follow the ip-addr, a dotted decimal mask must follow the prefix.

mask-length — The subnet mask length when the IP prefix is specified in CIDR notation. When the IP prefix is specified in CIDR notation, a forward slash (/) separates the ip-addr from the mask-length parameter. The mask length parameter indicates the number of bits used for the network portion of the IP address; the remainder of the IP address is used to determine the host portion of the IP address. Allowed values are integers in the range 1-32. Note that a mask length of 32 is reserved for system IP addresses.

Values 1-32

mask — The subnet mask in dotted decimal notation. When the IP prefix is not specified in CIDR notation, a space separates the ip-addr from a traditional dotted decimal mask. The mask parameters indicates the complete mask that will be used in a logical ‘AND’ function to derive the local subnet of the IP address. Note that a mask of 255.255.255.255 is reserved for system IP addresses.

Values 128.0.0.0 - 255.255.255.255

netmask — The subnet mask in dotted decimal notation.

Values 0.0.0.0 - 255.255.255.255 (network bits all 1 and host bits all 0).

description

Syntax	description <i>description-string</i> no description
Context	config>router>mh-primary-interface config>router>mh-secondary-interface
Description	This command creates a text description stored in the configuration file for a configuration context. The no form of the command removes the description string from the context.
Default	no description
Parameters	<i>description-string</i> — The description character string. Allowed values are any string up to 80 characters long composed of printable, 7-bit ASCII characters. If the string contains special character (#, \$, space, etc.), the entire string must be enclosed within double quotes.

shutdown

Syntax	[no] shutdown
Context	config>router>mh-primary-interface config>router>mh-secondary-interface
Description	The shutdown command administratively disables an entity. The operational state of the entity is disabled as well as the operational state of any entities contained within. Many objects must be shut down before they may be deleted. Unlike other commands and parameters where the default state is not indicated in the configuration file, shutdown and no shutdown are always indicated in system generated configuration files. The no form of the command puts an entity into the administratively enabled state.
Default	no shutdown

mh-secondary-interface

Syntax	[no] mh-secondary-interface
Context	config>router
Description	This command creates a loopback interface for use in multihoming resiliency. This address is considered the secondary multihoming address and is only used to resolve routes advertised by the primary router in the event that router becomes unavailable. For this purpose, the reachability for this address is advertised via IGP and LDP protocols to allow the resolution of BGP routes advertised with this address by the primary multihoming router. The no form of the command disables this setting.

Default no mh-secondary-interface

hold-time

Syntax **hold-time** *holdover-time*
no hold-time

Context config>router>mh-secondary-interface

Description The optional hold-time parameter is only applicable for the secondary context and specifies how long label information learned about the secondary anycast address should be kept after that peer is declared down. This timer should be set to a value large enough for the remainder of the network to detect the failure and complete the reconvergence process.

The no form of the command resets the hold-time back to the default value.

Default no hold-time

Parameters *holdover-time* — Specifies the number of seconds the router should hold label information learned from the alternate router in its secondary label table. This is to allow the reset of the network to reconverge after a router failure before the anycast based label assignments are flushed from the forwarding plane.

Values 0-65535

Default 90

Router Interface Filter Commands

egress

Syntax	egress
Context	config>router>interface
Description	This command enables access to the context to configure egress network filter policies for the IP interface. If an egress filter is not defined, no filtering is performed.

ingress

Syntax	ingress
Context	config>router>interface
Description	This command enables access to the context to configure ingress network filter policies for the IP interface. If an ingress filter is not defined, no filtering is performed.

flowspec

Syntax	flowspec no flowspec
Context	config>router>interface>ingress
Description	<p>This command enables flowspec filtering on an IP interface of the base router. Filtering is based on all of the flowspec routes that have been received and accepted by the base router. Ingress traffic on an IP interface can be filtered by both a user-defined ip filter and flowspec. In this case, the user-defined ip filter entries are evaluated before the flowspec routes and the default action of the user-defined ip filter applies as the very last rule.</p> <p>The no form of the command removes flowspec filtering from an IP interface.</p>
Default	No interfaces have flowspec enabled.

filter

Syntax	filter ip <i>ip-filter-id</i> filter ipv6 <i>ipv6-filter-id</i> no filter [ip <i>ip-filter-ip</i>] [ipv6 <i>ipv6-filter-id</i>]
Context	config>router>if>ingress config>router>if>egress
Description	This command associates an IP filter policy with an IP interface.

Filter policies control packet forwarding and dropping based on IP match criteria.

The *ip-filter-id* must have been pre-configured before this **filter** command is executed. If the filter ID does not exist, an error occurs.

Only one filter ID can be specified.

The **no** form of the command removes the filter policy association with the IP interface.

Default No filter is specified.

Parameters **ip** *ip-filter-id* — The filter name acts as the ID for the IP filter policy expressed as a decimal integer. The filter policy must already exist within the **config>filter>ip** context.

Values 1 — 16384

ipv6 *ipv6-filter-id* — The filter name acts as the ID for the IPv6 filter policy expressed as a decimal integer. The filter policy must already exist within the **config>filter>ipv6** context.

Values 1 — 65535

Router Interface ICMP Commands

icmp

Syntax	icmp
Context	config>router>interface
Description	This command enables access to the context to configure Internet Control Message Protocol (ICMP) parameters on a network IP interface. ICMP is a message control and error reporting protocol that also provides information relevant to IP packet processing.

mask-reply

Syntax	[no] mask-reply
Context	config>router>if>icmp
Description	<p>This command enables responses to ICMP mask requests on the router interface.</p> <p>If a local node sends an ICMP mask request to the router interface, the mask-reply command configures the router interface to reply to the request.</p> <p>The no form of the command disables replies to ICMP mask requests on the router interface.</p>
Default	mask-reply — Replies to ICMP mask requests.

redirects

Syntax	redirects [<i>number seconds</i>] no redirects
Context	config>router>if>icmp
Description	<p>This command enables and configures the rate for ICMP redirect messages issued on the router interface.</p> <p>When routes are not optimal on this router, and another router on the same subnetwork has a better route, the router can issue an ICMP redirect to alert the sending node that a better route is available.</p> <p>The redirects command enables the generation of ICMP redirects on the router interface. The rate at which ICMP redirects are issued can be controlled with the optional <i>number</i> and <i>time</i> parameters by indicating the maximum number of redirect messages that can be issued on the interface for a given time interval.</p> <p>By default, generation of ICMP redirect messages is enabled at a maximum rate of 100 per 10 second time interval.</p> <p>The no form of the command disables the generation of ICMP redirects on the router interface.</p>
Default	redirects 100 10 — Maximum of 100 redirect messages in 10 seconds.

Configuration Commands

- Parameters** *number* — The maximum number of ICMP redirect messages to send, expressed as a decimal integer. This parameter must be specified with the *time* parameter.
- Values** 10 — 1000
- seconds* — The time frame, in seconds, used to limit the *number* of ICMP redirect messages that can be issued, expressed as a decimal integer.
- Values** 1 — 60

ttl-expired

- Syntax** **ttl-expired** [*number seconds*]
no ttl-expired
- Context** config>router>if>icmp
- Description** This command configures the rate that Internet Control Message Protocol (ICMP) Time To Live (TTL) expired messages are issued by the IP interface.
- By default, generation of ICMP TTL expired messages is enabled at a maximum rate of 100 per 10 second time interval.
- The **no** form of the command disables the generation of TTL expired messages.
- Default** ttl-expired 100 10 — Maximum of 100 TTL expired message in 10 seconds.
- Parameters** *number* — The maximum number of ICMP TTL expired messages to send, expressed as a decimal integer. The *seconds* parameter must also be specified.
- Values** 10 — 1000
- seconds* — The time frame, in seconds, used to limit the *number* of ICMP TTL expired messages that can be issued, expressed as a decimal integer.
- Values** 1 — 60

unreachables

- Syntax** **unreachables** [*number seconds*]
no unreachables
- Context** config>router>if>icmp
- Description** This command enables and configures the rate for ICMP host and network destination unreachable messages issued on the router interface.
- The **unreachables** command enables the generation of ICMP destination unreachables on the router interface. The rate at which ICMP unreachables is issued can be controlled with the optional *number* and *seconds* parameters by indicating the maximum number of destination unreachable messages that can be issued on the interface for a given time interval.

By default, generation of ICMP destination unreachable messages is enabled at a maximum rate of 100 per 10 second time interval.

The **no** form of the command disables the generation of ICMP destination unreachable on the router interface.

Default unreachable 100 10 — Maximum of 100 unreachable messages in 10 seconds.

Parameters *number* — The maximum number of ICMP unreachable messages to send, expressed as a decimal integer. The *seconds* parameter must also be specified.

Values 10 — 1000

seconds — The time frame, in seconds, used to limit the *number* of ICMP unreachable messages that can be issued, expressed as a decimal integer.

Router Interface IPv6 Commands

ipv6

Syntax	[no] ipv6
Context	config>router>interface
Description	This command configures IPv6 for a router interface. The no form of the command disables IPv6 on the interface.
Default	not enabled

address

Syntax	address { <i>ipv6-address/prefix-length</i> } [eui-64] no address { <i>ipv6-address/prefix-length</i> }															
Context	config>router>if>ipv6															
Description	This command assigns an IPv6 address to the interface.															
Default	none															
Parameters	<i>ipv6-address/prefix-length</i> — Specify the IPv6 address on the interface.															
Values	<table> <tr> <td>ipv6-address/prefix:</td> <td>ipv6-address</td> <td>x:x:x:x:x:x:x (eight 16-bit pieces)</td> </tr> <tr> <td></td> <td></td> <td>x:x:x:x:x:d.d.d</td> </tr> <tr> <td></td> <td></td> <td>x [0 — FFFF]H</td> </tr> <tr> <td></td> <td></td> <td>d [0 — 255]D</td> </tr> <tr> <td></td> <td>prefix-length</td> <td>1 — 128</td> </tr> </table>	ipv6-address/prefix:	ipv6-address	x:x:x:x:x:x:x (eight 16-bit pieces)			x:x:x:x:x:d.d.d			x [0 — FFFF]H			d [0 — 255]D		prefix-length	1 — 128
ipv6-address/prefix:	ipv6-address	x:x:x:x:x:x:x (eight 16-bit pieces)														
		x:x:x:x:x:d.d.d														
		x [0 — FFFF]H														
		d [0 — 255]D														
	prefix-length	1 — 128														
	eui-64 — When the eui-64 keyword is specified, a complete IPv6 address from the supplied prefix and 64-bit interface identifier is formed. The 64-bit interface identifier is derived from MAC address on Ethernet interfaces. For interfaces without a MAC address, for example POS interfaces, the Base MAC address of the chassis should be used.															

icmp6

Syntax	icmp6
Context	config>router>if>ipv6
Description	This command enables the context to configure ICMPv6 parameters for the interface.

packet-too-big

Syntax	packet-too-big [<i>number seconds</i>] no packet-too-big
Context	config>router>if>ipv6>icmp6
Description	This command configures the rate for ICMPv6 packet-too-big messages.
Parameters	<i>number</i> — Limits the number of packet-too-big messages issued per the time frame specified in the <i>seconds</i> parameter. Values 10 — 1000 <i>seconds</i> — Determines the time frame, in seconds, that is used to limit the number of packet-too-big messages issued per time frame. Values 1 — 60

param-problem

Syntax	param-problem [<i>number seconds</i>] no param-problem
Context	config>router>if>ipv6>icmp6
Description	This command configures the rate for ICMPv6 param-problem messages.
Parameters	<i>number</i> — Limits the number of param-problem messages issued per the time frame specified in the <i>seconds</i> parameter. Values 10 — 1000 <i>seconds</i> — Determines the time frame, in seconds, that is used to limit the number of param-problem messages issued per time frame. Values 1 — 60

redirects

Syntax	redirects [<i>number seconds</i>] no redirects
Context	config>router>if>ipv6>icmp6
Description	This command configures the rate for ICMPv6 redirect messages. When configured, ICMPv6 redirects are generated when routes are not optimal on the router and another router on the same subnetwork has a better route to alert that node that a better route is available. The no form of the command disables ICMPv6 redirects.
Default	100 10 (when IPv6 is enabled on the interface)

- Parameters** *number* — Limits the number of redirects issued per the time frame specified in *seconds* parameter.
- Values** 10 — 1000
- seconds* — Determines the time frame, in seconds, that is used to limit the number of redirects issued per time frame.
- Values** 1 — 60

time-exceeded

- Syntax** **time-exceeded** [*number seconds*]
no time-exceeded
- Context** config>router>if>ipv6>icmp6
- Description** This command configures rate for ICMPv6 time-exceeded messages.
- Parameters** *number* — Limits the number of time-exceeded messages issued per the time frame specified in *seconds* parameter.
- Values** 10 — 1000
- seconds* — Determines the time frame, in seconds, that is used to limit the number of time-exceeded messages issued per time frame.
- Values** 1 — 60

unreachables

- Syntax** **unreachables** [*number seconds*]
no unreachables
- Context** config>router>if>ipv6>icmp6
- Description** This command configures the rate for ICMPv6 unreachable messages. When enabled, ICMPv6 host and network unreachable messages are generated by this interface.
- The **no** form of the command disables the generation of ICMPv6 host and network unreachable messages by this interface.
- Default** 100 10 (when IPv6 is enabled on the interface)
- Parameters** *number* — Determines the number destination unreachable ICMPv6 messages to issue in the time frame specified in *seconds* parameter.
- Values** 10 — 1000
- seconds* — Sets the time frame, in seconds, to limit the number of destination unreachable ICMPv6 messages issued per time frame.
- Values** 1 — 60

link-local-address

Syntax	link-local-address <i>ipv6-address</i> [preferred] no link-local-address
Context	config>router>if>ipv6
Description	This command configures the link local address.

local-proxy-nd

Syntax	[no] local-proxy-nd
Context	config>router>if>ipv6
Description	This command enables local proxy neighbor discovery on the interface. The no form of the command disables local proxy neighbor discovery.

proxy-nd-policy

Syntax	proxy-nd-policy <i>policy-name</i> [<i>policy-name...</i> (up to 5 max)] no proxy-nd-policy
Context	config>router>if>ipv6
Description	This command configure a proxy neighbor discovery policy for the interface.
Parameters	<i>policy-name</i> — The neighbor discovery policy name. Allowed values are any string up to 32 characters long composed of printable, 7-bit ASCII characters. If the string contains special characters (#, \$, spaces, etc.), the entire string must be enclosed within double quotes. The specified policy name(s) must already be defined.

neighbor

Syntax	neighbor [<i>ipv6-address</i>] [<i>mac-address</i>] no neighbor [<i>ipv6-address</i>]
Context	config>router>if>ipv6
Description	This command configures an IPv6-to-MAC address mapping on the interface. Use this command if a directly attached IPv6 node does not support ICMPv6 neighbor discovery, or for some reason, a static address must be used. This command can only be used on Ethernet media. The <i>ipv6-address</i> must be on the subnet that was configured from the IPv6 address command or a link-local address.

Configuration Commands

Parameters *ipv6-address* — The IPv6 address assigned to a router interface.

Values *ipv6-address*: x:x:x:x:x:x:x (eight 16-bit pieces)
 x:x:x:x:x:d.d.d.d
 x: [0 — FFFF]H
 d: [0 — 255]D

mac-address — Specifies the MAC address for the neighbor in the form of xx:xx:xx:xx:xx:xx or xx-xx-xx-xx-xx-xx.

Router Advertisement Commands

router-advertisement

Syntax	[no] router-advertisement
Context	config>router
Description	<p>This command configures router advertisement properties. By default, it is disabled for all IPv6 enabled interfaces.</p> <p>The no form of the command disables all IPv6 interface. However, the no interface <i>interface-name</i> command disables a specific interface.</p>
Default	disabled

interface

Syntax	[no] interface <i>ip-int-name</i>
Context	config>router>router-advertisement
Description	This command configures router advertisement properties on a specific interface. The interface must already exist in the config>router>interface context.
Default	No interfaces are configured by default.
Parameters	<i>ip-int-name</i> — Specify the interface name. If the string contains special characters (#, \$, spaces, etc.), the entire string must be enclosed within double quotes.

current-hop-limit

Syntax	current-hop-limit <i>number</i> no current-hop-limit
Context	config>router>router-advert>if
Description	This command configures the current-hop-limit in the router advertisement messages. It informs the nodes on the subnet about the hop-limit when originating IPv6 packets.
Default	64
Parameters	<i>number</i> — Specifies the hop limit.
Values	0 — 255. A value of zero means there is an unspecified number of hops.

managed-configuration

Syntax	[no] managed-configuration
Context	config>router>router-advert>if
Description	This command sets the managed address configuration flag. This flag indicates that DHCPv6 is available for address configuration in addition to any address autoconfigured using stateless address autoconfiguration. See RFC 3315, <i>Dynamic Host Configuration Protocol (DHCP) for IPv6</i> .
Default	no managed-configuration

max-advertisement-interval

Syntax	[no] max-advertisement-interval <i>seconds</i>
Context	config>router>router-advert>if
Description	This command configures the maximum interval between sending router advertisement messages.
Default	600
Parameters	<i>seconds</i> — Specifies the maximum interval in seconds between sending router advertisement messages. Values 4 — 1800

min-advertisement-interval

Syntax	[no] min-advertisement-interval <i>seconds</i>
Context	config>router>router-advert>if
Description	This command configures the minimum interval between sending ICMPv6 neighbor discovery router advertisement messages.
Default	200
Parameters	<i>seconds</i> — Specify the minimum interval in seconds between sending ICMPv6 neighbor discovery router advertisement messages. Values 3 — 1350

mtu

Syntax	[no] mtu <i>mtu-bytes</i>
Context	config>router>router-advert>if

Description	This command configures the MTU for the nodes to use to send packets on the link.
Default	no mtu — The MTU option is not sent in the router advertisement messages.
Parameters	<i>mtu-bytes</i> — Specify the MTU for the nodes to use to send packets on the link.
Values	1280 — 9212

other-stateful-configuration

Syntax	[no] other-stateful-configuration
Description	This command sets the "Other configuration" flag. This flag indicates that DHCPv6lite is available for autoconfiguration of other (non-address) information such as DNS-related information or information on other servers in the network. See RFC 3736, <i>Stateless Dynamic Host Configuration Protocol (DHCP) for IPv6</i> .
Default	no other-stateful-configuration

prefix

Syntax	[no] prefix [ipv6-prefix/prefix-length]														
Context	config>router>router-advert>if														
Description	This command configures an IPv6 prefix in the router advertisement messages. To support multiple IPv6 prefixes, use multiple prefix statements. No prefix is advertised until explicitly configured using prefix statements.														
Default	none														
Parameters	<i>ip-prefix</i> — The IP prefix for prefix list entry in dotted decimal notation.														
Values	<table> <tr> <td>ipv4-prefix</td> <td>a.b.c.d (host bits must be 0)</td> </tr> <tr> <td>ipv4-prefix-length</td> <td>0 — 32</td> </tr> <tr> <td>ipv6-prefix</td> <td>x:x:x:x:x:x:x (eight 16-bit pieces)</td> </tr> <tr> <td></td> <td>x:x:x:x:x:d.d.d.d</td> </tr> <tr> <td></td> <td>x: [0 — FFFF]H</td> </tr> <tr> <td></td> <td>d: [0 — 255]D</td> </tr> <tr> <td>ipv6-prefix-length</td> <td>0 — 128</td> </tr> </table>	ipv4-prefix	a.b.c.d (host bits must be 0)	ipv4-prefix-length	0 — 32	ipv6-prefix	x:x:x:x:x:x:x (eight 16-bit pieces)		x:x:x:x:x:d.d.d.d		x: [0 — FFFF]H		d: [0 — 255]D	ipv6-prefix-length	0 — 128
ipv4-prefix	a.b.c.d (host bits must be 0)														
ipv4-prefix-length	0 — 32														
ipv6-prefix	x:x:x:x:x:x:x (eight 16-bit pieces)														
	x:x:x:x:x:d.d.d.d														
	x: [0 — FFFF]H														
	d: [0 — 255]D														
ipv6-prefix-length	0 — 128														
prefix-length	— Specifies a route must match the most significant bits and have a prefix length.														
Values	1 — 128														

autonomous

Syntax	[no] autonomous
Context	config>router>router-advert>if>prefix

Configuration Commands

Description This command specifies whether the prefix can be used for stateless address autoconfiguration.
Default enabled

on-link

Syntax [no] on-link
Context config>router>router-advert>if>prefix
Description This command specifies whether the prefix can be used for onlink determination.
Default enabled

preferred-lifetime

Syntax [no] preferred-lifetime {seconds | infinite}
Context config>router>router-advert>if
Description This command configures the remaining length of time in seconds that this prefix will continue to be preferred, such as, time until deprecation. The address generated from a deprecated prefix should not be used as a source address in new communications, but packets received on such an interface are processed as expected.
Default 604800
Parameters *seconds* — Specifies the remaining length of time in seconds that this prefix will continue to be preferred.
infinite — Specifies that the prefix will always be preferred. A value of 4,294,967,295 represents infinity.

valid-lifetime

Syntax	valid-lifetime { <i>seconds</i> infinite }
Context	config>router>router-advert>if
Description	This command specifies the length of time in seconds that the prefix is valid for the purpose of on-link determination. A value of all one bits (0xffffffff) represents infinity. The address generated from an invalidated prefix should not appear as the destination or source address of a packet.
Default	2592000
Parameters	<i>seconds</i> — Specifies the remaining length of time in seconds that this prefix will continue to be valid. infinite — Specifies that the prefix will always be valid. A value of 4,294,967,295 represents infinity.

reachable-time

Syntax	reachable-time <i>milli-seconds</i> no reachable-time
Context	config>router>router-advert>if
Description	This command configures how long this router should be considered reachable by other nodes on the link after receiving a reachability confirmation.
Default	no reachable-time
Parameters	<i>milli-seconds</i> — Specifies the length of time the router should be considered reachable. Values 0 — 3600000

retransmit-time

Syntax	retransmit-timer <i>milli-seconds</i> no retransmit-timer
Context	config>router>router-advert>if
Description	This command configures the retransmission frequency of neighbor solicitation messages.
Default	no retransmit-time
Parameters	<i>milli-seconds</i> — Specifies how often the retransmission should occur. Values 0 — 1800000

router-lifetime

Syntax	router-lifetime <i>seconds</i> no router-lifetime
Context	config>router>router-advert>if
Description	This command sets the router lifetime.
Default	1800
Parameters	<i>seconds</i> — The length of time, in seconds, (relative to the time the packet is sent) that the prefix is valid for route determination. Values 0, 4 — 9000 seconds. 0 means that the router is not a default router on this link.

use-virtual-mac

Syntax	[no] use-virtual-mac
Context	config>router>router-advert>if
Description	This command enables sending router advertisement messages using the VRRP virtual MAC address, provided that the virtual router is currently the master. If the virtual router is not the master, no router advertisement messages are sent. The no form of the command disables sending router advertisement messages.
Default	no use-virtual-mac

Show Commands

aggregate

Syntax	aggregate [<i>family</i>] [active]
Context	show>router
Description	This command displays aggregate routes.
Parameters	<i>family</i> — Specifies to display IPv4 or IPv6 aggregate routes. Values ipv4, ipv6 active — When the active keyword is specified, inactive aggregates are filtered out.

arp

Syntax	arp [<i>ip-int-name</i> <i>ip-address/mask</i> mac <i>ieee-mac-address</i> summary] [local dynamic static managed]
Context	show>router
Description	This command displays the router ARP table sorted by IP address. If no command line options are specified, all ARP entries are displayed.
Parameters	<i>ip-address/mask</i> — Only displays ARP entries associated with the specified IP address and mask. <i>ip-int-name</i> — Only displays ARP entries associated with the specified IP interface name. mac ieee-mac-addr — Only displays ARP entries associated with the specified MAC address. summary — Displays an abbreviate list of ARP entries. [local dynamic static managed] — Only displays ARP information associated with the keyword.
Output	ARP Table Output — The following table describes the ARP table output fields:

Label	Description
IP Address	The IP address of the ARP entry.
MAC Address	The MAC address of the ARP entry.
Expiry	The age of the ARP entry.
Type	Dyn — The ARP entry is a dynamic ARP entry. Inv — The ARP entry is an inactive static ARP entry (invalid). Oth — The ARP entry is a local or system ARP entry. Sta — The ARP entry is an active static ARP entry.

Label	Description (Continued)
*Man	The ARP entry is a managed ARP entry.
Int	The ARP entry is an internal ARP entry.
[I}	The ARP entry is in use.
Interface	The IP interface name associated with the ARP entry.
No. of ARP Entries	The number of ARP entries displayed in the list.

Sample Output

```
*B:7710-Red-RR# show router arp
=====
ARP Table (Router: Base)
=====
IP Address      MAC Address      Expiry      Type      Interface
-----
10.20.1.24      00:16:4d:23:91:b8 00h00m00s  Oth      system
10.10.4.11      00:03:fa:00:d0:c9 00h57m03s  Dyn[I]   to-core-sr1
10.10.4.24      00:03:fa:41:8d:20 00h00m00s  Oth[I]   to-core-sr1
-----
No. of ARP Entries: 3
=====
```

```
A:ALA-A# show router ARP 10.10.0.3
=====
ARP Table
=====
IP Address      MAC Address      Expiry      Type      Interface
-----
10.10.0.3      04:5d:ff:00:00:00 00:00:00    Oth      system
-----
A:ALA-A#
```

```
A:ALA-A# show router ARP to-ser1
=====
ARP Table
=====
IP Address      MAC Address      Expiry      Type      Interface
-----
10.10.13.1     04:5b:01:01:00:02 03:53:09    Dyn      to-ser1
-----
A:ALA-A#
```

authentication

Syntax	authentication
Context	show>router
Description	This command enables the command to display authentication statistics.

statistics

Syntax	statistics statistics interface [<i>ip-int-name</i> <i>ip-address</i>] statistics policy <i>name</i>
Context	show>router>authentication
Description	This command displays interface or policy authentication statistics.
Parameters	interface [<i>ip-int-name</i> <i>ip-address</i>] — Specifies an existing interface name or IP address. Values <i>ip-int-name</i> : 32 chars max <i>ip-address</i> : a.b.c.d policy name — Specifies an existing policy name.
Output	Authentication Statistics Output — The following table describes the show authentication statistics output fields:

Label	Description
Client Packets Authenticate Fail	The number of packets that failed authentication.
Client Packets Authenticate Ok	The number of packets that were authenticated.

Sample Output

```
A:ALU-3>show>router>auth# statistics
=====
Authentication Global Statistics
=====
Client Packets Authenticate Fail      : 0
Client Packets Authenticate Ok       : 12
=====
A:ALU-3>
```

Show Commands

bfd

Syntax	bfd
Context	show>router
Description	This command enables the context to display bi-directional forwarding detection (BFD) information.

Sample Output

```
*A:Dut-D# show router 3 bfd session
=====
BFD Session
=====
InterfaceState          Tx Intvl  Rx Intvl  Multipl
  Remote Address        Protocols          Tx Pkts  Rx Pkts  Type
-----
ies-3-121.1.3.3         Up (3)
    121.1.3.2           ospf2              N/A      N/A      cpm-np
ies-3-122.1.4.3         Up (3)
    122.1.4.2           pim                455     464     iom
-----
No. of BFD sessions: 2
=====
*A:Dut-D#

*A:Dut-C# show router bfd session src 11.120.1.4 dest 11.120.1.3
=====
BFD Session
=====
Remote Address : 11.120.1.3
Admin State   : Up                               Oper State    : Up (3)
Protocols     : static
Rx Interval   : 10                               Tx Interval   : 10
Multiplier    : 3                               Echo Interval : 0
Up Time       : 1d 19:03:28                       Up Transitions : 2
Down Time     : None                               Down Transitions : 1
Version Mismatch : 0

Forwarding Information
Local Discr   : 19269                               Local State   : Up (3)
Local Diag    : 0 (None)                           Local Mode    : Async
Local Min Tx  : 10                                  Local Mult    : 3
Last Sent (ms) : 6                                  Local Min Rx  : 10
Type          : cpm-np
Remote Discr  : 5101                               Remote State  : Up (3)
Remote Diag   : 0 (None)                           Remote Mode   : Async
Remote Min Tx : 1000                                Remote Mult   : 3
Last Recv (ms) : 367                               Remote Min Rx : 10
=====
*A:Dut-C#
```


interface

- Syntax** `interface [interface-name]`
- Context** `show>router>bfd`
- Description** This command displays interface information.
- Output** **BFD interface Output** — The following table describes the show BFD interface output fields:

Label	Description
TX Interval	Displays the interval, in milliseconds, between the transmitted BFD messages to maintain the session
RX Interval	Displays the expected interval, in milliseconds, between the received BFD messages to maintain the session
Multiplier	Displays the integer used by BFD to declare when the neighbor is down.

Sample Output

```
*A:Dut-B# show router bfd interface
=====
BFD Interface
=====
Interface name           Tx Interval  Rx Interval  Multiplier
-----
port-1-1                 500          500          3
port-1-1                 10           10           3
port-1-2                 500          500          3
port-1-2                 10           10           3
port-1-3                 500          500          3
port-1-3                 10           10           3
port-1-4                 500          500          3
port-1-4                 10           10           3
port-1-5                 500          500          3
...
=====
*A:Dut-B#
```

session

- Syntax** `session [src ip-address [dst ip-address] | detail]`
`session [type type]`
`session [summary]`
- Context** `show>router>bfd`
- Description** This command displays session information.

Show Commands

Parameters *ip-address* — Only displays the interface information associated with the specified IP address.

Values ipv4-address a.b.c.d (host bits must be 0)

type — Specifies the session type.

Values iom | central | cpm-np

Output **BFD Session Output** — The following table describes the show BFD session output fields:

Label	Description
State	Displays the administrative state for this BFD session.
Protocol	Displays the active protocol.
Tx Intvl	Displays the interval, in milliseconds, between the transmitted BFD messages to maintain the session
Tx Pkts	Displays the number of transmitted BFD packets.
Rx Intvl	Displays the expected interval, in milliseconds, between the received BFD messages to maintain the session
Rx Pkts	Displays the number of received packets.
Mult	Displays the integer used by BFD to declare when the neighbor is down.

Sample Output

```
A:Dut-B# show router bfd session
=====
BFD Session
=====
Interface                State          Tx Intvl  Rx Intvl  Multipl
 Remote Address          Protocols     Tx Pkts   Rx Pkts   Type
-----
port-1-1                 Up (3)        500       500       3
 10.1.1.3                pim isis      50971     50718     iom
port-1-1                 Up (3)        10        10        3
 3FFE::A01:103           static bgp    N/A       N/A       cpm-np
port-1-1                 Up (3)        10        10        3
 FE80::A0A:A03           pim isis ospf3 N/A       N/A       cpm-np
port-1-2                 Up (3)        500       500       3
 10.2.1.3                pim isis      50968     50718     iom
port-1-2                 Up (3)        10        10        3
 3FFE::A02:103           static bgp    N/A       N/A       cpm-np
port-1-2                 Up (3)        10        10        3
...
=====
*A:Dut-B#

A:Dut-B# show router bfd session src 3FFE::A01:102 dest 3FFE::A01:103
=====
BFD Session
```

```

=====
Remote Address : 3FFE::A01:103
Admin State   : Up                               Oper State    : Up (3)
Protocols     : static bgp
Rx Interval   : 10                               Tx Interval   : 10
Multiplier    : 3                               Echo Interval : 0
Up Time       : 0d 07:24:54                     Up Transitions : 1
Down Time     : None                             Down Transitions : 0
                                                    Version Mismatch : 0

Forwarding Information
Local Discr   : 2051                             Local State   : Up (3)
Local Diag    : 0 (None)                         Local Mode    : Async
Local Min Tx  : 10                               Local Mult    : 3
Last Sent (ms) : 5                               Local Min Rx  : 10
Type          : cpm-np
Remote Discr  : 1885                             Remote State  : Up (3)
Remote Diag   : 0 (None)                         Remote Mode   : Async
Remote Min Tx : 10                               Remote Mult   : 3
Last Recv (ms) : 1                              Remote Min Rx : 10
=====
A:Dut-B#

```

```

*A:Dut-B# show router bfd session src FE80::A0A:A02-port-1-10 dest FE80::A0A:A03-port-1-10

```

```

=====
BFD Session
=====
Remote Address : FE80::A0A:A03
Admin State   : Up                               Oper State    : Up (3)
Protocols     : pim isis ospf3
Rx Interval   : 10                               Tx Interval   : 10
Multiplier    : 3                               Echo Interval : 0
Up Time       : 0d 07:10:20                     Up Transitions : 3
Down Time     : None                             Down Transitions : 2
                                                    Version Mismatch : 0

Forwarding Information
Local Discr   : 42                               Local State   : Up (3)
Local Diag    : 3 (Neighbor signalled s* Local Mode    : Async
Local Min Tx  : 10                               Local Mult    : 3
Last Sent (ms) : 6                               Local Min Rx  : 10
Type          : cpm-np
Remote Discr  : 270                             Remote State  : Up (3)
Remote Diag   : 0 (None)                         Remote Mode   : Async
Remote Min Tx : 10                               Remote Mult   : 3
Last Recv (ms) : 8                              Remote Min Rx : 10
=====
* indicates that the corresponding row element may have been truncated.
*A:Dut-D#

```

```

*A:Dut-B# show router bfd session ipv4
=====
BFD Session
=====
Interface      State      Tx Intvl  Rx Intvl  Multipl
  Remote Address  Protocols Tx Pkts   Rx Pkts   Type
-----
port-1-1       Up (3)    500       500       3

```

Show Commands

```

10.1.1.3          pim isis          51532    51279    iom
port-1-2         Up (3)          500      500      3
10.2.1.3          pim isis          51529    51279    iom
port-1-3         Up (3)          500      500      3
10.3.1.3          pim isis          51529    51279    iom
port-1-4         Up (3)          500      500      3
10.4.1.3          pim isis          51529    51279    iom
port-1-5         Up (3)          500      500      3
10.5.1.3          pim isis          51529    51279    iom
port-1-6         Up (3)          500      500      3
10.6.1.3          pim isis          51529    51279    iom
...
=====
*A:Dut-B#

*A:Dut-B# show router bfd session ipv6
=====
BFD Session
=====
Interface          State          Tx Intvl  Rx Intvl  Multipl
Remote Address     Protocols     Tx Pkts   Rx Pkts   Type
-----
port-1-1           Up (3)        10        10        3
3FFE::A01:103     static bgp    N/A       N/A       cpm-np
port-1-1           Up (3)        10        10        3
FE80::A0A:A03     pim isis ospf3 N/A       N/A       cpm-np
port-1-2           Up (3)        10        10        3
3FFE::A02:103     static bgp    N/A       N/A       cpm-np
port-1-2           Up (3)        10        10        3
FE80::A0A:A03     pim isis ospf3 N/A       N/A       cpm-np
port-1-3           Up (3)        10        10        3
3FFE::A03:103     static bgp    N/A       N/A       cpm-np
port-1-3           Up (3)        10        10        3
FE80::A0A:A03     pim isis ospf3 N/A       N/A       cpm-np
port-1-4           Up (3)        10        10        3
3FFE::A04:103     static bgp    N/A       N/A       cpm-np
port-1-4           Up (3)        10        10        3
...
=====
*A:Dut-B#

*A:Dut-D# show router bfd session summary
=====
BFD Session Summary
=====
Termination  Session Count
-----
central      0
cpm-np       500
iom, slot 1  0
iom, slot 2  0
iom, slot 3  250
iom, slot 4  0
iom, slot 5  0

Total        750
=====

```

*A:Dut-D#

dhcp

Syntax	dhcp
Context	show>router
Description	This command enables the context to display DHCP related information.

dhcp6

Syntax	dhcp6
Context	show>router
Description	This command enables the context to display DHCP6 related information.

statistics

Syntax	statistics [<i>ip-int-name</i> <i>ip-address</i>]
Context	show>router>dhcp show>router>dhcp6
Description	This command displays statistics for DHCP relay and DHCP snooping. If no IP address or interface name is specified, then all configured interfaces are displayed. If an IP address or interface name is specified, then only data regarding the specified interface is displayed.
Parameters	<i>ip-int-name</i> <i>ip-address</i> — Displays statistics for the specified IP interface.
Output	Show DHCP Statistics Output — The following table describes the output fields for DHCP statistics.

Label	Description
Received Packets	The number of packets received from the DHCP clients.
Transmitted Packets	The number of packets transmitted to the DHCP clients.
Received Malformed Packets	The number of malformed packets received from the DHCP clients.

Label	Description (Continued)
Received Untrusted Packets	The number of untrusted packets received from the DHCP clients.
Client Packets Discarded	The number of packets received from the DHCP clients that were discarded.
Client Packets Relayed	The number of packets received from the DHCP clients that were forwarded.
Client Packets Snooped	The number of packets received from the DHCP clients that were snooped.
Server Packets Discarded	The number of packets received from the DHCP server that were discarded.
Server Packets Relayed	The number of packets received from the DHCP server that were forwarded.
Server Packets Snooped	The number of packets received from the DHCP server that were snooped.

Sample Output

```
A:ALA-1# show router dhcp6 statistics
=====
DHCP6 statistics (Router: Base)
=====
Msg-type           Rx           Tx           Dropped
-----
1 SOLICIT          0            0            0
2 ADVERTISE        0            0            0
3 REQUEST          0            0            0
4 CONFIRM          0            0            0
5 RENEW            0            0            0
6 REBIND           0            0            0
7 REPLY            0            0            0
8 RELEASE          0            0            0
9 DECLINE          0            0            0
10 RECONFIGURE     0            0            0
11 INFO_REQUEST    0            0            0
12 RELAY_FORW      0            0            0
13 RELAY_REPLY     0            0            0
-----
Dhcp6 Drop Reason Counters :
-----
1 Dhcp6 oper state is not Up on src itf          0
2 Dhcp6 oper state is not Up on dst itf          0
3 Relay Reply Msg on Client Itf                  0
4 Hop Count Limit reached                        0
5 Missing Relay Msg option, or illegal msg type  0
6 Unable to determine destinatinon client Itf    0
7 Out of Memory                                  0
8 No global Pfx on Client Itf                    0
```

```

 9 Unable to determine src Ip Addr 0
10 No route to server 0
11 Subscr. Mgmt. Update failed 0
12 Received Relay Forw Message 0
13 Packet too small to contain valid dhcp6 msg 0
14 Server cannot respond to this message 0
15 No Server Id option in msg from server 0
16 Missing or illegal Client Id option in client msg 0
17 Server Id option in client msg 0
18 Server DUID in client msg does not match our own 0
19 Client sent message to unicast while not allowed 0
20 Client sent message with illegal src Ip address 0
21 Client message type not supported in pfx delegation 0
22 Nbr of addrs or pfxs exceeds allowed max (128) in msg 0
23 Unable to resolve client's mac address 0
24 The Client was assigned an illegal address 0
25 Illegal msg encoding 0
=====
A:ALA-1#

```

summary

Syntax summary

Context show>router>dhcp

Description Display the status of the DHCP Relay and DHCP Snooping functions on each interface.

Output **Show DHCP Summary Output** — The following table describes the output fields for DHCP summary.

Label	Description
Interface Name	Name of the router interface.
Info Option	Indicates whether Option 82 processing is enabled on the interface.
Auto Filter	Indicates whether IP Auto Filter is enabled on the interface.
Snoop	Indicates whether Auto ARP table population is enabled on the interface.
Interfaces	Indicates the total number of router interfaces on the 7750 SR.

Sample Output

```

A:ALA-1# show router dhcp summary
=====
DHCP6 Summary (Router: Base)
=====
Interface Name          Nbr      Used/Max Relay  Admin  Oper Relay
  SapId                 Resol.   Used/Max Server  Admin  Oper Server
-----
interfaceServiceDefault  No        0/0             Up     NoServerCo*
  sap:1/2/12:1          0/8000    Up             Up

```

Show Commands

```
interfaceService          No          0/0          Down   Down
  sap:1/2/1              0/8000     Down        Down
interfaceServiceNonDefault No          0/0          Up     NoServerCo*
  sap:1/2/12:2          0/8000     Down        Down
ip-61.4.113.4            Yes        575/8000    Up     Up
  sap:1/1/1:1          580/8000    Up          Up
=====
A:ALA-1#
```

ecmp

- Syntax** **ecmp**
- Context** show>router
- Description** This command displays the ECMP settings for the router.
- Output** **ECMP Settings Output** — The following table describes the output fields for the router ECMP settings.

Label	Description
Instance	The router instance number.
Router Name	The name of the router instance.
ECMP	False — ECMP is disabled for the instance. True — ECMP is enabled for the instance.
Configured-ECMP-Routes	The number of ECMP routes configured for path sharing.

Sample Output

```
A:ALA-A# show router ecmp
=====
Router ECMP
=====
Instance      Router Name          ECMP      Configured-ECMP-Routes
-----
1             Base                 True      8
=====
A:ALA-A#
```


fib

Syntax **fib** *slot-number* [*family*] [*ip-prefix/prefix-length*] [**longer**] [**secondary**] [**exclude-services**]
fib *slot-number* [*family*] **summary**
fib *slot-number* **nh-table-usage**

Context show>router

Description This command displays the active FIB entries for a specific IOM.

Parameters *slot-number* — Displays routes only matching the specified chassis slot number.

Default all IOMs

Values 1 — 10

family — Displays the router IP interface table to display.

Values **ipv4** — Displays only those peers that have the IPv4 family enabled.

ipv6 — Displays the peers that are IPv6-capable.

ip-prefix/prefix-length — Displays FIB entries only matching the specified ip-prefix and length.

Values ipv4-prefix: a.b.c.d (host bits must be 0)

ipv4-prefix-length: 0 — 32

Values ipv6-prefix: x:x:x:x:x:x:x (eight 16-bit pieces)

x:x:x:x:x:d.d.d.d

x: [0 — FFFF]H

d: [0 — 255]D

ipv6-prefix-length: 0 — 128

longer — Displays FIB entries matching the *ip-prefix/mask* and routes with longer masks.

secondary — Displays secondary VRF ID information.

summary — Displays summary FIB information for the specified slot number.

nh-table-usage — Displays next-hop table usage.

Sample Output

```
show router fib 1 131.132.133.134/32
=====
FIB Display
=====
Prefix                                     Protocol
NextHop
-----
131.132.133.134/32                         OSPF
  66.66.66.66 (loop7)
  Next-hop type: tunneled, Owner: RSVP, Tunnel-ID: <out-ifindex-from-route>
-----
Total Entries : 1
-----
=====
*A:Dut-C# show router fib 1 1.1.1.1/32
```

```

=====
FIB Display
=====
Prefix                                     Protocol
  NextHop
-----
1.1.1.1/32                                 BGP
  10.20.1.1 (Transport:RSVP LSP:1)
-----
Total Entries : 1
=====

```

icmp6

Syntax icmp6

Context show>router

Description This command displays Internet Control Message Protocol Version 6 (ICMPv6) statistics. ICMP generates error messages (for example, ICMP destination unreachable messages) to report errors during processing and other diagnostic functions. ICMPv6 packets can be used in the neighbor discovery protocol and path MTU discovery.

Output **icmp6 Output** — The following table describes the show router icmp6 output fields:

Label	Description
Total	The total number of all messages.
Destination Unreachable	The number of message that did not reach the destination.
Time Exceeded	The number of messages that exceeded the time threshold.
Echo Request	The number of echo requests.
Router Solicits	The number of times the local router was solicited.
Neighbor Solicits	The number of times the neighbor router was solicited.
Errors	The number of error messages.
Redirects	The number of packet redirects.
Pkt Too big	The number of packets that exceed appropriate size.
Echo Reply	The number of echo replies.
Router Advertisements	The number of times the router advertised its location.

Label	Description (Continued)
Neighbor Advertisements	The number of times the neighbor router advertised its location.

Sample Output

```
A:SR-3>show>router>auth# show router icmp6
=====
Global ICMPv6 Stats
=====
Received
Total                : 14                Errors                : 0
Destination Unreachable : 5                Redirects             : 5
Time Exceeded         : 0                Pkt Too Big          : 0
Echo Request          : 0                Echo Reply            : 0
Router Solicits       : 0                Router Advertisements : 4
Neighbor Solicits     : 0                Neighbor Advertisements : 0
-----
Sent
Total                : 10                Errors                : 0
Destination Unreachable : 0                Redirects             : 0
Time Exceeded         : 0                Pkt Too Big          : 0
Echo Request          : 0                Echo Reply            : 0
Router Solicits       : 0                Router Advertisements : 0
Neighbor Solicits     : 5                Neighbor Advertisements : 5
=====
A:SR-3>show>router>auth#
```

interface

Syntax	interface [<i>interface-name</i>]
Context	show>router>icmpv6
Description	This command displays interface ICMPv6 statistics.
Parameters	<i>interface-name</i> — Only displays entries associated with the specified IP interface name.
Output	icmp6 interface Output — The following table describes the show router icmp6 interface output fields:

Label	Description
Total	The total number of all messages.
Destination Unreachable	The number of message that did not reach the destination.
Time Exceeded	The number of messages that exceeded the time threshold.

Label	Description (Continued)
Echo Request	The number of echo requests.
Router Solicits	The number of times the local router was solicited.
Neighbor Solicits	The number of times the neighbor router was solicited.
Errors	The number of error messages.
Redirects	The number of packet redirects.
Pkt Too big	The number of packets that exceed appropriate size.
Echo Reply	The number of echo replies.
Router Advertisements	The number of times the router advertised its location.
Neighbor Advertisements	The number of times the neighbor router advertised its location.

Sample Output

```

B:CORE2# show router icmp6 interface net1_1_2
=====
Interface ICMPv6 Stats
=====
Interface "net1_1_2"
-----
Received
Total                : 41          Errors                : 0
Destination Unreachable : 0          Redirects             : 0
Time Exceeded         : 0          Pkt Too Big          : 0
Echo Request          : 0          Echo Reply            : 0
Router Solicits       : 0          Router Advertisements : 0
Neighbor Solicits     : 20         Neighbor Advertisements : 21
-----
Sent
Total                : 47          Errors                : 0
Destination Unreachable : 0          Redirects             : 0
Time Exceeded         : 0          Pkt Too Big          : 0
Echo Request          : 0          Echo Reply            : 0
Router Solicits       : 0          Router Advertisements : 0
Neighbor Solicits     : 27         Neighbor Advertisements : 20
=====
B:CORE2#
    
```

interface

Syntax **interface** [{{*ip-address* | *ip-int-name*}] [**statistics**] [**detail**] [**family**]} | [**summary**] | [**exclude-services**]
interface *family* [**detail**]]

Context show>router

Description This command displays the router IP interface table sorted by interface index.

Parameters *ip-address* — Only displays the interface information associated with the specified IP address.

Values

ipv4-address	a.b.c.d (host bits must be 0)
ipv6-address	x:x:x:x:x:x:x (eight 16-bit pieces) x:x:x:x:x:d.d.d.d x: [0 — FFFF]H d: [0 — 255]D

ip-int-name — Only displays the interface information associated with the specified IP interface name.

detail — Displays detailed IP interface information.

statistics — Displays packet statistics for an interface on the router.

summary — Displays summary IP interface information for the router.

exclude-services — Displays IP interface information, excluding IP interfaces configured for customer services. Only core network IP interfaces are displayed.

family — Specifies the router IP interface family to display.

Values **ipv4** — Displays only those peers that have the IPv4 family enabled.

Values **ipv6** — Displays the peers that are IPv6-capable.

Output **Standard IP Interface Output** — The following table describes the standard output fields for an IP interface.

Label	Description
Interface-Name	The IP interface name.
Type	n/a — No IP address has been assigned to the IP interface, so the IP address type is not applicable. Pri — The IP address for the IP interface is the Primary address on the IP interface. Sec — The IP address for the IP interface is a secondary address on the IP interface.
IP-Address	The IP address and subnet mask length of the IP interface. n/a — Indicates no IP address has been assigned to the IP interface.
Adm	Down — The IP interface is administratively disabled. Up — The IP interface is administratively enabled.

Label	Description (Continued)
Opr	Down – The IP interface is operationally disabled. Up – The IP interface is operationally disabled.
Mode	Network – The IP interface is a network/core IP interface. Service – The IP interface is a service IP interface.
Port/SAP Id	The physical network port or the SAP identifier associated with the IP interface.

Sample Output

```
A:ALA-A# show router interface
=====
Interface Table (Router: Base)
=====
Interface-Name      Adm(v4/v6)  Opr(v4/v6)  Mode  Port/SapId
IP-Address          PfxState
-----
ip-100.0.0.2        Up/Up       Up/Up       Network lag-1
100.0.0.2/10        n/a
3FFE:1::2/64        PREFERRED
FE80::200:FF:FE00:4/64 PREFERRED
ip-100.128.0.2     Up/Up       Up/Up       Network lag-2
100.128.0.2/10     n/a
3FFE:2::2/64        PREFERRED
FE80::200:FF:FE00:4/64 PREFERRED
ip-11.2.4.4        Up/Up       Down/Down   Network 3/1/1
11.2.4.4/24        n/a
15::2/120
ip-11.4.101.4      Up/Up       Up/Up       Network 5/2/1
11.4.101.4/24      n/a
3FFE::B04:6504/120  PREFERRED
FE80::200:FF:FE00:4/64 PREFERRED
ip-11.4.113.4      Up/Up       Up/Up       Network 6/1/1
11.4.113.4/24      n/a
3FFE::B04:7104/120  PREFERRED
FE80::200:FF:FE00:4/64 PREFERRED
ip-11.4.114.4      Up/Up       Up/Up       Network 6/1/2
11.4.114.4/24      n/a
3FFE::B04:7204/120  PREFERRED
FE80::200:FF:FE00:4/64 PREFERRED
ip-12.2.4.4        Up/Up       Down/Down   Network 3/1/2
12.2.4.4/24        n/a
3FFE::C02:404/120
ip-13.2.4.4        Up/Up       Down/Down   Network 3/1/3
13.2.4.4/24        n/a
3FFE::D02:404/120
ip-14.2.4.4        Up/Up       Down/Down   Network 3/1/4
14.2.4.4/24        n/a
3FFE::E02:404/120
ip-15.2.4.4        Up/Up       Down/Down   Network 3/1/5
15.2.4.4/24        n/a
3FFE::F02:404/120
ip-21.2.4.4        Up/Up       Up/Up       Network 6/2/11
```

IP Router Configuration

```

21.2.4.4/24                                n/a
3FFE::1502:404/120                         PREFERRED
FE80::200:FF:FE00:4/64                    PREFERRED
ip-22.2.4.4                                Up/Up    Up/Up    Network 6/2/12
22.2.4.4/24                                n/a
3FFE::1602:404/120                         PREFERRED
FE80::200:FF:FE00:4/64                    PREFERRED
ip-23.2.4.4                                Up/Up    Up/Up    Network 6/2/13
23.2.4.4/24                                n/a
3FFE::1702:404/120                         PREFERRED
FE80::200:FF:FE00:4/64                    PREFERRED
ip-24.2.4.4                                Up/Up    Up/Up    Network 6/2/14
24.2.4.4/24                                n/a
3FFE::1802:404/120                         PREFERRED
FE80::200:FF:FE00:4/64                    PREFERRED
system                                      Up/Up    Up/Up    Network system
200.200.200.4/32                           n/a
3FFE::C8C8:C804/128                        PREFERRED

```

Interfaces : 15
=====

A:ALA-A#

A:ALA-A# **show router interface 10.10.0.3/32**

Interface Table
=====

Interface-Name	Type	IP-Address	Adm	Opr	Mode
system	Pri	10.10.0.3/32	Up	Up	Network

A:ALA-A#

A:ALA-A# **show router interface to-ser1**

Interface Table
=====

Interface-Name	Type	IP-Address	Adm	Opr	Mode
to-ser1	Pri	10.10.13.3/24	Up	Up	Network

A:ALA-A#

A:ALA-A# **show router interface exclude-services**

Interface Table
=====

Interface-Name	Type	IP-Address	Adm	Opr	Mode
system	Pri	10.10.0.3/32	Up	Up	Network
to-ser1	Pri	10.10.13.3/24	Up	Up	Network
to-ser4	Pri	10.10.34.3/24	Up	Up	Network
to-ser5	Pri	10.10.35.3/24	Up	Up	Network
to-ser6	n/a	n/a	Up	Down	Network
management	Pri	192.168.2.93/20	Up	Up	Network

A:ALA-A#

Detailed IP Interface Output — The following table describes the detailed output fields for an IP interface.

Label	Description
If Name	The IP interface name.
Admin State	Down — The IP interface is administratively disabled. Up — The IP interface is administratively enabled.
Oper State	Down — The IP interface is operationally disabled. Up — The IP interface is operationally enabled.
IP Addr/mask	The IP address and subnet mask length of the IP interface. Not Assigned — Indicates no IP address has been assigned to the IP interface.
IPv6 Addr	The IPv6 address of the interface.
If Index	The interface index of the IP router interface.
Virt If Index	The virtual interface index of the IP router interface.
Last Oper Change	The last change in operational status.
Global If Index	The global interface index of the IP router interface.
Sap ID	The SAP identifier.
TOS Marker	The TOS byte value in the logged packet.
If Type	Network — The IP interface is a network/core IP interface. Service — The IP interface is a service IP interface.
SNTP B.cast	Displays if the broadcast-client global parameter is configured.
IES ID	The IES identifier.
QoS Policy	The QoS policy ID associated with the IP interface.
MAC Address	The MAC address of the interface.
Arp Timeout	The ARP timeout for the interface, in seconds, which is the time an ARP entry is maintained in the ARP cache without being refreshed.
ICMP Mask Reply	False — The IP interface will not reply to a received ICMP mask request. True — The IP interface will reply to a received ICMP mask request.
Arp Populate	Displays whether ARP is enabled or disabled.
Host Conn Verify	The host connectivity verification.
LdpSyncTimer	Specifies the IGP/LDP sync timer value.

Label	Description (Continued)
Cflowd	Specifies the type of Cflowd analysis that is applied to the interface. acl – ACL Cflowd analysis is applied to the interface. interface – Interface cflowd analysis is applied to the interface. none – No Cflowd analysis is applied to the interface.

Sample Output

```
A:Dut-A# show router interface ip-10.10.1.1 detail
=====
Interface Table (Router: Base)
=====
Interface
-----
If Name       : ip-10.10.1.1
Admin State   : Up                               Oper (v4/v6)   : Down/--
Protocols     : ISIS LDP
IP Addr/mask  : Not Assigned
-----
Details
-----
If Index      : 2                               Virt. If Index : 2
Last Oper Chg: 02/13/2008 19:32:08             Global If Index: 127
Port Id       : 1/1/1

SDP Id        : spoke-1:100

Spoke-SDP Details
Admin State   : Up                               Oper State     : Up
Hash Label    : Disabled
Peer Fault Ip: None
Peer Pw Bits  : pwFwdingStandby
Peer Vccv CV Bits : lspPing
Peer Vccv CC Bits : mplsRouterAlertLabel
Flags         : None

TOS Marking   : Trusted                         If Type        : Network
Egress Filter: none                            Ingress Filter : none
Egr IPv6 Flt : none                            Ingr IPv6 Flt  : none
SNTP B.Cast  : False                           QoS Policy     : 1
MAC Address   : 0c:a1:01:01:00:01              Arp Timeout    : 14400
IP MTU        : 1500                           ICMP Mask Reply: True
Arp Populate  : Disabled
Cflowd        : None
LdpSyncTimer  : None

Proxy ARP Details
Rem Proxy ARP: Disabled                         Local Proxy ARP: Disabled
Policies      : none

Proxy Neighbor Discovery Details
Local Pxy ND  : Disabled
Policies      : none

ICMP Details
```

Show Commands

```
Redirects      : Number - 100                Time (seconds) - 10
Unreachables  : Number - 100                Time (seconds) - 10
TTL Expired   : Number - 100                Time (seconds) - 10
```

```
IPCP Address Extension Details
Peer IP Addr*: Not configured
Peer Pri DNS*: Not configured
```

*A:Dut-A#

Statistics IP Interface Output — The following table describes the packet statistics for the router IP interfaces.

Label	Description
Ifname	The interface name
Admin State	The administrative status of the router interface.
Oper	The operational status of the router instance.

Sample Output

```
A:ALA-A# show router interface statistics
```

```
-----
Interface
-----
If Name      : net-1/1/3
Admin State  : Up                               Oper (v4/v6) : Up/Up
Ingress      : Pkts - 12345                     Octets - 1234567
Egress       : Pkts - 12345                     Octets - 123456
  IPv4 Offered : Pkts - 12000                   Octets - 120000
    Discard : Pkts - 123   Octets - 3000
  IPv6 Offered : Pkts - 345                       Octets - 3456
    Discard : Pkts - 33   Octets - 1000
```

Summary IP Interface Output — The following table describes the summary output fields for the router IP interfaces.

Label	Description
Instance	The router instance number.
Router Name	The name of the router instance.
Interfaces	The number of IP interfaces in the router instance.
Admin-Up	The number of administratively enabled IP interfaces in the router instance.
Oper-Up	The number of operationally enabled IP interfaces in the router instance.

Sample Output

```
A:ALA-A# show router interface summary
=====
Router Summary (Interfaces)
=====
Instance  Router Name                Interfaces  Admin-Up  Oper-Up
-----
1         Base                        7          7         5
=====
```

mvpn

Syntax mvpn**Context** show>router *router-instance***Description** This command displays Multicast VPN related information. The router instance must be specified.**Sample Output**

```
*A:Dut-C# show router 1 mvpn
=====
MVPN 1 configuration data
=====
signaling          : Bgp                auto-discovery    : Enabled
UMH Selection      : Highest-Ip         intersite-shared  : Enabled
vrf-import         : N/A
vrf-export         : N/A
vrf-target         : target:1:1
C-Mcast Import RT : target:10.20.1.3:2

ipmsi              : pim-asm 224.1.1.1
admin status       : Up                three-way-hello   : N/A
hello-interval     : N/A               hello-multiplier  : 35 * 0.1
tracking support   : Disabled          Improved Assert   : N/A

spmsi              : pim-ssm 225.0.0.0/32
join-tlv-packing   : N/A
data-delay-interval : 3 seconds
data-threshold     : 224.0.0.0/4 --> 1 kbps
=====
```

neighbor

Syntax neighbor [*ip-int-name* | *ip-address* | *mac ieee-mac-address* | **summary**]**Context** show>router**Description** This command displays information about the IPv6 neighbor cache.

Show Commands

- Parameters**
- ip-int-name* — Specify the IP interface name.
 - ip-address* — Specify the address of the IPv6 interface address.
 - mac** *ieee-mac-address* — Specify the MAC address.
 - summary** — Displays summary neighbor information.

Output **Neighbor Output** — The following table describes neighbor output fields.

Label	Description
IPv6 Address	Displays the IPv6 address.
Interface	Displays the name of the IPv6 interface name.
MAC Address	Specifies the link-layer address.
State	Displays the current administrative state.
Exp	Displays the number of seconds until the entry expires.
Type	Displays the type of IPv6 interface.
Interface	Displays the interface name.
Rtr	Specifies whether a neighbor is a router.
Mtu	Displays the MTU size.

Sample Output

```
B:CORE2# show router neighbor
=====
Neighbor Table (Router: Base)
=====
IPv6 Address          Interface
  MAC Address          State      Expiry      Type      RTR
-----
FE80::203:FAFF:FE78:5C88
  00:16:4d:50:17:a3    STALE      03h52m08s   Dynamic   Yes
FE80::203:FAFF:FE81:6888
  00:03:fa:1a:79:22    STALE      03h29m28s   Dynamic   Yes
-----
No. of Neighbor Entries: 2
=====
B:CORE2#
```

network-domains

- Syntax** **network-domains** [**detail**] [*network-domain-name*]
- Context** show>router
- Description** This command displays network-domains information.
- Parameters** **detail** — Displays detailed network-domains information.
network-domain-name — Displays information for a specific network domain.

Sample

```
*A:Dut-T>config>router# show router network-domains
=====
Network Domain Table
=====
Network Domain          Description
-----
net1                    Network domain 1
default                 Default Network Domain
-----
Network Domains : 2
=====
*A:Dut-T>config>router#

*A:Dut-T>config>router# show router network-domains detail
=====
Network Domain Table (Router: Base)
=====
Network Domain          : net1
-----
Description              : Network domain 1
No. Of Ifs Associated    : 2
No. Of SDPs Associated   : 0
-----
Network Domain          : default
-----
Description              : Default Network Domain
No. Of Ifs Associated    : 3
No. Of SDPs Associated   : 0
=====
*A:Dut-T>config>router#

*A:Dut-T>config>router# show router network-domains "net1" interface-association
=====
Interface Network Domain Association Table
=====
Interface Name          Port          Network Domain
-----
intf1                   1/2/2        net1
intf2                   6/1/2        net1
```

```

-----
Interfaces : 2
=====
*A:Dut-T>config>router#

*A:Dut-T>config>service# show router network-domains "net1" sdp-association
=====
SDP Network Domain Association Table
=====
SDP Id                               Network Domain
-----
100                                   net1
-----
SDPs : 1
=====
*A:Dut-T>config>service#

```

policy

- Syntax** `policy [name | damping | prefix-list name | as-path name | community name | admin]`
- Context** `show>router`
- Description** This command displays policy-related information.
- Parameters**
 - name** — Specify an existing policy-statement name.
 - damping** — Specify damping to display route damping profiles.
 - prefix-list name** — Specify a prefix list name to display the route policy entries.
 - as-path name** — Specify the route policy AS path name to display route policy entries.
 - community name** — Specify a route policy community name to display information about a particular community member.
 - admin** — Specify the **admin** keyword to display the entities configured in the `config>router>policy-options` context.

Output **Policy Output** — The following table describes policy output fields.

Label	Description
Policy	The policy name.
Description	Displays the description of the policy.

Sample Output

```

B:CORE2# show router policy
=====
Route Policies
=====
Policy                               Description

```

```
-----
fromStatic
-----
```

```
Policies : 1
```

```
=====
B: CORE2#
```

policy-edits

Syntax	policy-edits
Context	show>router
Description	This command displays edited policy information.

route-table

Syntax	route-table [<i>ip-prefix[/prefix-length]</i>] [longer exact protocol]] [protocol <i>protocol-name</i>] [all] route-table [family] summary route-table <i>tunnel-endpoints</i> [<i>ip-prefix[/prefix-length]</i>] [longer exact protocol] route-table [<i>ip-prefix[/prefix-length]</i>] next-hop-type tunneled route-table [next-hop-type tunneled]														
Context	show>router														
Description	This command displays the active routes in the routing table. If no command line arguments are specified, all routes are displayed, sorted by prefix.														
Parameters	family — Specify the type of routing information to be distributed by this peer group. Values <ul style="list-style-type: none"> ipv4 — Displays only those BGP peers that have the IPv4 family enabled and not those capable of exchanging IP-VPN routes. ipv6 — Displays the BGP peers that are IPv6 capable. mcast-ipv4 — Displays the BGP peers that are IPv4 multicast capable. mcast-ipv6 — Displays multicast IPv6 route table. <i>ip-prefix[/prefix-length]</i> — Displays routes only matching the specified ip-address and length. Values <table style="margin-left: 20px;"> <tr> <td>ipv4-prefix:</td> <td>a.b.c.d (host bits must be set to 0)</td> </tr> <tr> <td>ipv4-prefix-length:</td> <td>0 — 32</td> </tr> <tr> <td>ipv6 ip6-prefix[/pref*]:</td> <td>x:x:x:x:x:x:x (eight 16-bit pieces)</td> </tr> <tr> <td></td> <td>x:x:x:x:x:d.d.d.d</td> </tr> <tr> <td></td> <td>x: [0 — FFFF]H</td> </tr> <tr> <td></td> <td>d: [0 — 255]D</td> </tr> <tr> <td>prefix-length:</td> <td>1 — 128ipv6</td> </tr> </table> <ul style="list-style-type: none"> longer — Displays routes matching the <i>ip-prefix/mask</i> and routes with longer masks. exact — Displays the exact route matching the <i>ip-prefix/mask</i> masks. 	ipv4-prefix:	a.b.c.d (host bits must be set to 0)	ipv4-prefix-length:	0 — 32	ipv6 ip6-prefix[/pref*]:	x:x:x:x:x:x:x (eight 16-bit pieces)		x:x:x:x:x:d.d.d.d		x: [0 — FFFF]H		d: [0 — 255]D	prefix-length:	1 — 128ipv6
ipv4-prefix:	a.b.c.d (host bits must be set to 0)														
ipv4-prefix-length:	0 — 32														
ipv6 ip6-prefix[/pref*]:	x:x:x:x:x:x:x (eight 16-bit pieces)														
	x:x:x:x:x:d.d.d.d														
	x: [0 — FFFF]H														
	d: [0 — 255]D														
prefix-length:	1 — 128ipv6														

protocol *protocol-name* — Displays routes learned from the specified protocol.

Values local, sub-mgmt, managed, static, ospf, ospf3, isis, rip, aggregate, bgp, bgp-vpn

summary — Displays a route table summary information.

tunnel-endpoints — Specifies to include tunnel endpoint information.

Output **Standard Route Table Output** — The following table describes the standard output fields for the route table.

Label	Description
Dest Address	The route destination address and mask.
Next Hop	The next hop IP address for the route destination.
Type	Local — The route is a local route. Remote — The route is a remote route.
Protocol	The protocol through which the route was learned.
Age	The route age in seconds for the route.
Metric	The route metric value for the route.
Pref	The route preference value for the route.
No. of Routes	The number of routes displayed in the list.

Sample Output

```
*A:Dut-C# show router route-table 1.1.1.1/32
=====
Route Table (Router: Base)
=====
Dest Prefix                               Type   Proto   Age           Pref
      Next Hop[Interface Name]                               Metric
-----
1.1.1.1/32                                Remote BGP     00h00m09s    170
      10.20.1.1 (tunneled:RSVP:1)                               0
-----
No. of Routes: 1
=====
```

```
A:ALA# show router route-table
=====
Route Table (Router: Base)
=====
Dest Prefix                               Type   Proto
Age           Pref
      Next Hop[Interface Name]                               Metric
-----
11.2.103.0/24                                Remote OSPF
```



```

00h59m02s 10
    21.2.4.2
11.2.103.0/24 Remote OSPF 2
00h59m02s 10
    22.2.4.2
11.2.103.0/24 Remote OSPF 2
00h59m02s 10
    23.2.4.2
11.2.103.0/24 Remote OSPF 2
00h59m02s 10
    24.2.4.2
11.2.103.0/24 Remote OSPF 2
00h59m02s 10
    100.0.0.1
11.2.103.0/24 Remote OSPF 2
00h59m02s 10
    100.128.0.1
11.4.101.0/24 Local Local 02h14m29s 0
...

```

A:ALA#

B:ALA-B# show router route-table 100.10.0.0 exact

=====
Route Table (Router: Base)

=====
Dest Address Next Hop Type Proto Age Metric Pref

=====
100.10.0.0/16 Black Hole Remote Static 00h03m17s 1 5

=====
No. of Routes: 1

=====
B:ALA-B#

A:ALA-A# show router route-table 10.10.0.4

=====
Route Table

=====
Dest Address Next Hop Type Protocol Age Metric Pref

=====
10.10.0.4/32 10.10.34.4 Remote OSPF 3523 1001 10

=====
A:ALA-A#

A:ALA-A# show router route-table 10.10.0.4/32 longer

=====
Route Table

=====
Dest Address Next Hop Type Protocol Age Metric Pref

=====
10.10.0.4/32 10.10.34.4 Remote OSPF 3523 1001 10

=====
No. of Routes: 1

=====
+ : indicates that the route matches on a longer prefix

A:ALA-A#

Show Commands

```
A:ALA-A# show router route-table protocol ospf
=====
Route Table
=====
Dest Address      Next Hop      Type   Protocol   Age      Metric  Pref
-----
10.10.0.1/32      10.10.13.1   Remote OSPF       65844    1001    10
10.10.0.2/32      10.10.13.1   Remote OSPF       65844    2001    10
10.10.0.4/32      10.10.34.4   Remote OSPF       3523     1001    10
10.10.0.5/32      10.10.35.5   Remote OSPF    1084022  1001    10
10.10.12.0/24     10.10.13.1   Remote OSPF       65844    2000    10
10.10.15.0/24     10.10.13.1   Remote OSPF     58836    2000    10
10.10.24.0/24     10.10.34.4   Remote OSPF       3523     2000    10
10.10.25.0/24     10.10.35.5   Remote OSPF    399059   2000    10
10.10.45.0/24     10.10.34.4   Remote OSPF       3523     2000    10
-----
A:ALA-A#

show router route-table 131.132.133.134/32 next-hop-type tunneled

Route Table (Router: Base)
=====
Dest Prefix      Next Hop[Interface Name]      Type   Proto   Age      Metric  Pref
-----
131.132.133.134/32      Remote OSPF   00h02m09s  10      10
66.66.66.66              Next-hop type: tunneled, Owner: RSVP, Tunnel-ID: <out-ifindex-from-route>
-----No. of Routes:
1
=====
*A:Dut-B# show router route-table next-hop-type tunneled

Route Table (Router: Base)
=====
Dest Prefix      Next Hop[Interface Name]      Type   Proto   Age      Metric  Pref
-----
10.10.5.0/24      10.20.1.5 (tunneled:RSVP:1)   Remote OSPF   00h02m20s  1100  10
10.10.10.0/24     10.20.1.5 (tunneled:RSVP:1)   Remote OSPF   00h02m20s  1100  10
10.20.1.5/32      10.20.1.5 (tunneled:RSVP:1)   Remote OSPF   00h02m20s  100   10
10.20.1.6/32      10.20.1.5 (tunneled:RSVP:1)   Remote OSPF   00h02m20s  1100  10
-----
No. of Routes: 4
=====

*A:Dut-B# show router route-table 10.20.1.5/32 next-hop-type tunneled

Route Table (Router: Base)
=====
Dest Prefix      Type   Proto   Age      Pref
-----
10.20.1.5/32     Remote OSPF   00h02m20s  10
```

```

Next Hop[Interface Name]
-----
10.20.1.1/32
10.20.1.5 (tunneled:RSVP:1)
-----
Remote OSPF 00h03m55s 10
100
-----
No. of Routes: 1
=====

```

Summary Route Table Output — Summary output for the route table displays the number of active routes and the number of routes learned by the router by protocol. Total active and available routes are also displayed.

Sample Output

```

A:ALA-A# show router route-table summary
=====
Route Table Summary
=====
Active Available
-----
Static 1 1
Direct 6 6
BGP 0 0
OSPF 9 9
ISIS 0 0
RIP 0 0
Aggregate 0 0
-----
Total 16 16
=====
A:ALA-A#

```

rtr-advertisement

Syntax **rtr-advertisement** [**interface** *interface-name*] [**prefix** *ipv6-prefix[/prefix-length]*]
rtr-advertisement [**conflicts**]

Context show>router

Description This command displays router advertisement information.

If no command line arguments are specified, all routes are displayed, sorted by prefix.

Parameters *interface-name* — Maximum 32 characters.

ipv6-prefix[/prefix-length] — Displays routes only matching the specified ip-address and length.

Values	ipv6	ipv6-prefix[/pref*:	x:x:x:x:x:x (eight 16-bit pieces)
			x:x:x:x:x.d.d.d
			x: [0 — FFFF]H
			d: [0 — 255]D
		prefix-length:	1 — 128

Output Router-Advertisement Table Output — The following table describes the output fields for router-advertisement.

Label	Description
Rtr Advertisement Tx/Last Sent	The number of router advertisements sent and time since they were sent.
Nbr Solicitation Tx	The number of neighbor solicitations sent and time since they were sent.
Nbr Advertisement Tx	The number of neighbor advertisements sent and time since they were sent.
Rtr Advertisement Rx	The number of router advertisements received and time since they were received.
Nbr Advertisement Rx	The number of neighbor advertisements received and time since they were received.
Max Advert Interval	The maximum interval between sending router advertisement messages.
Managed Config	True — Indicates that DHCPv6 has been configured. False — Indicates that DHCPv6 is not available for address configuration.
Reachable Time	The time, in milliseconds, that a node assumes a neighbor is reachable after receiving a reachability confirmation.
Retransmit Time	The time, in milliseconds, between retransmitted neighbor solicitation messages.
Link MTU	The MTU number the nodes use for sending packets on the link.
Rtr Solicitation Rx	The number of router solicitations received and time since they were received.
Nbr Solicitation Rx	The number of neighbor solicitations received and time since they were received.
Min Advert Interval	The minimum interval between sending ICMPv6 neighbor discovery router advertisement messages.
Other Config	True — Indicates there are other stateful configurations. False — Indicates there are no other stateful configurations.
Router Lifetime	Displays the router lifetime in seconds.
Hop Limit	Displays the current hop limit.

Sample Output

```

A:Dut-A# show router rtr-advertisement
=====
Router Advertisement
=====
-----
Interface: interfaceNetworkNonDefault
-----
Rtr Advertisement Tx : 8                Last Sent           : 00h01m28s
Nbr Solicitation Tx  : 83               Last Sent           : 00h00m17s
Nbr Advertisement Tx : 74               Last Sent           : 00h00m25s
Rtr Advertisement Rx : 8                Rtr Solicitation Rx : 0
Nbr Advertisement Rx : 83               Nbr Solicitation Rx : 74
-----
Max Advert Interval : 601                Min Advert Interval : 201
Managed Config      : TRUE                 Other Config         : TRUE
Reachable Time      : 00h00m00s400ms      Router Lifetime      : 00h30m01s
Retransmit Time     : 00h00m00s400ms      Hop Limit            : 63
Link MTU             : 1500
-----
Prefix: 211::/120
Autonomous Flag     : FALSE                 On-link flag         : FALSE
Preferred Lifetime  : 07d00h00m           Valid Lifetime        : 30d00h00m
-----
Prefix: 231::/120
Autonomous Flag     : FALSE                 On-link flag         : FALSE
Preferred Lifetime  : 49710d06h           Valid Lifetime        : 49710d06h
-----
Prefix: 241::/120
Autonomous Flag     : TRUE                  On-link flag         : TRUE
Preferred Lifetime  : 00h00m00s           Valid Lifetime        : 00h00m00s
-----
Prefix: 251::/120
Autonomous Flag     : TRUE                  On-link flag         : TRUE
Preferred Lifetime  : 07d00h00m           Valid Lifetime        : 30d00h00m
-----
Advertisement from: FE80::200:FF:FE00:2
Managed Config      : FALSE                 Other Config         : FALSE
Reachable Time      : 00h00m00s0ms         Router Lifetime      : 00h30m00s
Retransmit Time     : 00h00m00s0ms         Hop Limit            : 64
Link MTU             : 0
-----
Interface: interfaceServiceNonDefault
-----
Rtr Advertisement Tx : 8                Last Sent           : 00h06m41s
Nbr Solicitation Tx  : 166               Last Sent           : 00h00m04s
Nbr Advertisement Tx : 143               Last Sent           : 00h00m05s
Rtr Advertisement Rx : 8                Rtr Solicitation Rx : 0
Nbr Advertisement Rx : 166               Nbr Solicitation Rx : 143
-----
Max Advert Interval : 601                Min Advert Interval : 201
Managed Config      : TRUE                 Other Config         : TRUE
Reachable Time      : 00h00m00s400ms      Router Lifetime      : 00h30m01s
Retransmit Time     : 00h00m00s400ms      Hop Limit            : 63
Link MTU             : 1500
-----
Prefix: 23::/120
Autonomous Flag     : FALSE                 On-link flag         : FALSE

```

Show Commands

```

Preferred Lifetime      : infinite          Valid Lifetime        : infinite

Prefix: 24::/120
Autonomous Flag        : TRUE              On-link flag          : TRUE
Preferred Lifetime      : 00h00m00s        Valid Lifetime        : 00h00m00s

Prefix: 25::/120
Autonomous Flag        : TRUE              On-link flag          : TRUE
Preferred Lifetime      : 07d00h00m        Valid Lifetime        : 30d00h00m
-----
Advertisement from: FE80::200:FF:FE00:2
Managed Config        : FALSE            Other Config          : FALSE
Reachable Time         : 00h00m00s0ms          Router Lifetime       : 00h30m00s
Retransmit Time        : 00h00m00s0ms        Hop Limit             : 64
Link MTU                : 0

Prefix: 2::/120
Autonomous Flag        : TRUE              On-link flag          : TRUE
Preferred Lifetime      : 07d00h00m        Valid Lifetime        : 30d00h00m

Prefix: 23::/120
Autonomous Flag        : TRUE              On-link flag          : TRUE
Preferred Lifetime      : 07d00h00m        Valid Lifetime        : 30d00h00m

Prefix: 24::/119
Autonomous Flag        : TRUE              On-link flag          : TRUE
Preferred Lifetime      : 07d00h00m        Valid Lifetime        : 30d00h00m

Prefix: 25::/120
Autonomous Flag        : TRUE              On-link flag          : TRUE
Preferred Lifetime      : 07d00h00m        Valid Lifetime        : infinite

Prefix: 231::/120
Autonomous Flag        : TRUE              On-link flag          : TRUE
Preferred Lifetime      : 07d00h00m        Valid Lifetime        : 30d00h00m
-----
...
A:Dut-A#

```

Output Router-Advertisement Conflicts Output — The following table describes the output fields for router- advertisement conflicts.

Label	Description
Advertisement from	The address of the advertising router.
Reachable Time	The time, in milliseconds, that a node assumes a neighbor is reachable after receiving a reachability confirmation.
Router Lifetime	Displays the router lifetime in seconds.
Retransmit Time	The time, in milliseconds, between retransmitted neighbor solicitation messages.
Hop Limit	Displays the current hop limit

Label	Description (Continued)
Link MTU	The MTU number the nodes use for sending packets on the link.

Sample Output

```
A:Dut-A# show>router# rtr-advertisement conflicts
=====
Router Advertisement
=====
Interface: interfaceNetworkNonDefault
-----
Advertisement from: FE80::200:FF:FE00:2
Managed Config   : FALSE [TRUE]
Other Config     : FALSE [TRUE]
Reachable Time   : 00h00m00s0ms [00h00m00s400ms]
Router Lifetime  : 00h30m00s [00h30m01s]
Retransmit Time  : 00h00m00s0ms [00h00m00s400ms]
Hop Limit        : 64 [63]
Link MTU         : 0 [1500]

Prefix not present in neighbor router advertisement
Prefix: 211::/120
Autonomous Flag   : FALSE           On-link flag       : FALSE
Preferred Lifetime : 07d00h00m       Valid Lifetime     : 30d00h00m

Prefix not present in neighbor router advertisement
Prefix: 231::/120
Autonomous Flag   : FALSE           On-link flag       : FALSE
Preferred Lifetime : 49710d06h       Valid Lifetime     : 49710d06h

Prefix not present in neighbor router advertisement
Prefix: 241::/120
Autonomous Flag   : TRUE            On-link flag       : TRUE
Preferred Lifetime : 00h00m00s       Valid Lifetime     : 00h00m00s

Prefix not present in neighbor router advertisement
Prefix: 251::/120
Autonomous Flag   : TRUE            On-link flag       : TRUE
Preferred Lifetime : 07d00h00m       Valid Lifetime     : 30d00h00m
-----
Interface: interfaceServiceNonDefault
-----
Advertisement from: FE80::200:FF:FE00:2
Managed Config   : FALSE [TRUE]
Other Config     : FALSE [TRUE]
Reachable Time   : 00h00m00s0ms [00h00m00s400ms]
Router Lifetime  : 00h30m00s [00h30m01s]
Retransmit Time  : 00h00m00s0ms [00h00m00s400ms]
Hop Limit        : 64 [63]
Link MTU         : 0 [1500]

Prefix not present in own router advertisement
Prefix: 2::/120
Autonomous Flag   : TRUE            On-link flag       : TRUE
Preferred Lifetime : 07d00h00m       Valid Lifetime     : 30d00h00m
```

Show Commands

```
Prefix: 23::/120
Autonomous Flag      : TRUE [FALSE]
On-link flag        : TRUE [FALSE]
Preferred Lifetime  : 07d00h00m [infinite]
Valid Lifetime      : 30d00h00m [infinite]

Prefix not present in own router advertisement
Prefix: 24::/119
Autonomous Flag      : TRUE           On-link flag        : TRUE
Preferred Lifetime  : 07d00h00m       Valid Lifetime     : 30d00h00m

Prefix not present in neighbor router advertisement
Prefix: 24::/120
Autonomous Flag      : TRUE           On-link flag        : TRUE
Preferred Lifetime  : 00h00m00s       Valid Lifetime     : 00h00m00s

Prefix: 25::/120
Valid Lifetime      : infinite [30d00h00m]

Prefix not present in own router advertisement
Prefix: 231::/120
Autonomous Flag      : TRUE           On-link flag        : TRUE
Preferred Lifetime  : 07d00h00m       Valid Lifetime     : 30d00h00m
=====
A:Dut-A#
```


static-arp

- Syntax** `static-arp [ip-addr | ip-int-name | mac ieee-mac-addr]`
- Context** `show>router`
- Description** This command displays the router static ARP table sorted by IP address. If no options are present, all ARP entries are displayed.
- Parameters** *ip-addr* — Only displays static ARP entries associated with the specified IP address.
ip-int-name — Only displays static ARP entries associated with the specified IP interface name.
mac *ieee-mac-addr* — Only displays static ARP entries associated with the specified MAC address.
- Output** **Static ARP Table Output** — The following table describes the output fields for the ARP table.

Label	Description
IP Address	The IP address of the static ARP entry.
MAC Address	The MAC address of the static ARP entry.
Age	The age of the ARP entry. Static ARPs always have 00:00:00 for the age.
Type	Inv — The ARP entry is an inactive static ARP entry (invalid). Sta — The ARP entry is an active static ARP entry.
Interface	The IP interface name associated with the ARP entry.
No. of ARP Entries	The number of ARP entries displayed in the list.

Sample Output

```
A:ALA-A# show router static-arp
=====
ARP Table
=====
IP Address      MAC Address      Age      Type Interface
-----
10.200.0.253    00:00:5a:40:00:01 00:00:00 Sta  to-ser1
12.200.1.1      00:00:5a:01:00:33 00:00:00 Inv  to-ser1a
-----
No. of ARP Entries: 1
=====
A:ALA-A#

A:ALA-A# show router static-arp 12.200.1.1
=====
ARP Table
=====
IP Address      MAC Address      Age      Type Interface
-----
```

Show Commands

```
12.200.1.1      00:00:5a:01:00:33 00:00:00 Inv to-ser1
=====
A:ALA-A#

A:ALA-A# show router static-arp to-ser1
=====
ARP Table
=====
IP Address      MAC Address      Age      Type Interface
-----
10.200.0.253    00:00:5a:40:00:01 00:00:00 Sta to-ser1
=====
A:ALA-A#

A:ALA-A# show router static-arp mac 00:00:5a:40:00:01
=====
ARP Table
=====
IP Address      MAC Address      Age      Type Interface
-----
10.200.0.253    00:00:5a:40:00:01 00:00:00 Sta to-ser1
=====
A:ALA-A#
```

static-route

Syntax	static-route [family] [[<i>ip-prefix /mask</i>] [preference <i>preference</i>] [next-hop <i>ip-address</i>] tag <i>tag</i>]
Context	show>router
Description	This command displays the static entries in the routing table. If no options are present, all static routes are displayed sorted by prefix.
Parameters	family — Specify the type of routing information to be distributed by this peer group. Values ipv4 — Displays only those BGP peers that have the IPv4 family enabled and not those capable of exchanging IP-VPN routes. ipv6 — Displays the BGP peers that are IPv6 capable. mcast-ipv4 — Displays the BGP peers that are IPv4 multicast capable. <i>ip-prefix /mask</i> — Displays static routes only matching the specified <i>ip-prefix</i> and <i>mask</i> . Values ipv4-prefix: a.b.c.d (host bits must be 0) ipv4-prefix-length: 0 — 32 ipv6-prefix: x:x:x:x:x:x:x (eight 16-bit pieces) x:x:x:x:x:d.d.d.d x: [0 — FFFF]H d: [0 — 255]D ipv6-prefix-length: 0 — 128

preference *preference* — Only displays static routes with the specified route preference.

Values 0 — 65535

next-hop *ip-address* — Only displays static routes with the specified next hop IP address.

Values

ipv4-address:	a.b.c.d (host bits must be 0)
ipv6-address:	x:x:x:x:x:x:x (eight 16-bit pieces)
	x:x:x:x:x:d.d.d.d
x:	[0 — FFFF]H
d:	[0 — 255]D

tag *tag* — Displays the tag used to add a 32-bit integer tag to the static route. The tag is used in route policies to control distribution of the route into other protocols.

Values 1 — 4294967295

Output **Static Route Output** — The following table describes the output fields for the static route table.

Label	Description
IP Addr/mask	The static route destination address and mask.
Pref	The route preference value for the static route.
Metric	The route metric value for the static route.
Type	BH — The static route is a black hole route. The <code>NextHop</code> for this type of route is <code>black-hole</code> . ID — The static route is an indirect route, where the <code>nextHop</code> for this type of route is the non-directly connected next hop. NH — The route is a static route with a directly connected next hop. The <code>NextHop</code> for this type of route is either the next hop IP address or an egress IP interface name.
Next Hop	The next hop for the static route destination.
Protocol	The protocol through which the route was learned.
Interface	The egress IP interface name for the static route. n/a — indicates there is no current egress interface because the static route is inactive or a black hole route.
Active	N — The static route is inactive; for example, the static route is disabled or the next hop IP interface is down. Y — The static route is active.
No. of Routes	The number of routes displayed in the list.

Sample Output

```
A:ALA-A# show router static-route
```

```
=====
```

Show Commands

```
Route Table
=====
IP Addr/mask      Pref Metric Type Nexthop      Interface      Active
-----
192.168.250.0/24  5    1    ID  10.200.10.1      to-ser1        Y
192.168.252.0/24  5    1    NH  10.10.0.254     n/a            N
192.168.253.0/24  5    1    NH  to-ser1         n/a            N
192.168.253.0/24  5    1    NH  10.10.0.254     n/a            N
192.168.254.0/24  4    1    BH  black-hole      n/a            Y
=====
A:ALA-A#
```

```
A:ALA-A# show router static-route 192.168.250.0/24
=====
Route Table
=====
IP Addr/mask      Pref Metric Type Nexthop      Interface      Active
-----
192.168.250.0/24  5    1    ID  10.200.10.1      to-ser1        Y
=====
A:ALA-A#
```

```
A:ALA-A# show router static-route preference 4
=====
Route Table
=====
IP Addr/mask      Pref Metric Type Nexthop      Interface      Active
-----
192.168.254.0/24  4    1    BH  black-hole      n/a            Y
=====
A:ALA-A#
```

```
A:ALA-A# show router static-route next-hop 10.10.0.254
=====
Route Table
=====
IP Addr/mask      Pref Metric Type Nexthop      Interface      Active
-----
192.168.253.0/24  5    1    NH  10.10.0.254     n/a            N
=====
A:ALA-A#
```

```
*A:sim1# show router static-route 10.10.0.0/16 detail
=====
Static Route Table (Router: Base)          Family : [IPv4|MCast-IPv4|IPv6]
=====
Network : 3FFD:FFFF:FFFF:FFFF:FFFF:FFFF:FFFF:FFE3/120  Type : [NextHop|Indirect|Black-hole]
NextHop : [address | LSP label & name]      NextHop type: [IP|LDP|RSVP-TE]
Interface :
Metric : 1                                  Preference : 5
Active : [Y|N]                              Admin State : [Up|Down]
Tag :
BFD: [enable|disabled]

CPE-check: [enabled|disabled]              State: [Up|Down]
Target : <address>
```

```
Interval : [value | n/a]                               Drop Count : <value>
Log      : [Y|N]
CPE Host Up/Dn Time : 0d 16:32:28
CPE Echo Req Tx    : 0                               CPE Echo Reply Rx: 0
CPE Up Transitions : 0                               CPE Down Transitions : 0
CPE TTL : 13
=====
A:siml#
```

service-prefix

Syntax `service-prefix`

Description This command displays the address ranges reserved by this node for services sorted by prefix.

Output **Service Prefix Output** — The following table describes the output fields for service prefix information.

Label	Description
IP Prefix	The IP prefix of the range of addresses included in the range for services.
Mask	The subnet mask length associated with the IP prefix.
Exclusive	<code>false</code> — Addresses in the range are not exclusively for use for service IP addresses. <code>true</code> — Addresses in the range are exclusively for use for service IP addresses and cannot be assigned to network IP interfaces.

Sample Output

```
A:ALA-A# show router service-prefix
=====
Address Ranges reserved for Services
=====
IP Prefix           Mask      Exclusive
-----
172.16.1.0          24        true
172.16.2.0          24        false
=====
A:ALA-A#
```

sgt-qos

Syntax `sgt-qos`

Context `show>router`

Description This command displays self-generated traffic QoS related information.

application

Syntax	application [<i>app-name</i>] [dscp dot1p]
Context	show>router>sgt-qos
Description	This command displays application QoS settings.
Parameters	<i>app-name</i> — The specific application. Values arp, bgp, cflowd, dhcp, dns, ftp, icmp, igmp, isis, ldp, mld, msdp, ndis, ntp, ospf, pimradius, rip, rsvpsnmp, snmp-notification, srrp, ssh, syslog, tacplus, telnet, tftp, traceroute, vrrp, pppoe

dscp-map

Syntax	dscp-map [<i>dscp-name</i>]
Context	show>router>sgt-qos
Description	This command displays DSCP to FC mappings.
Parameters	<i>dscp-name</i> — The specific DSCP name. Values be, ef, cp1, cp2, cp3, cp4, cp5, cp6, cp7, cp9, cs1, cs2, cs3, cs4, cs5, nc1, nc2, af11, af12, af13, af21, af22, af23, af31, af32, af33, af41, af42, af43, cp11, cp13, cp15, cp17, cp19, cp21, cp23, cp25, cp27, cp29, cp31, cp33, cp35, cp37, cp39, cp41, cp42, cp43, cp44, cp45, cp47, cp49, cp50, cp51, cp52, cp53, cp54, cp55, cp57, cp58, cp59, cp60, cp61, cp62, cp63

status

Syntax	status
Context	show>router
Description	This command displays the router status.
Output	Router Status Output — The following table describes the output fields for router status information.

Label	Description
Router	The administrative and operational states for the router.
OSPF	The administrative and operational states for the OSPF protocol.
RIP	The administrative and operational states for the RIP protocol.

Label	Description (Continued)
ISIS	The administrative and operational states for the IS-IS protocol.
MPLS	The administrative and operational states for the MPLS protocol.
RSVP	The administrative and operational states for the RSVP protocol.
LDP	The administrative and operational states for the LDP protocol.
BGP	The administrative and operational states for the BGP protocol.
Max Routes	The maximum number of routes configured for the system.
Total Routes	The total number of routes in the route table.
ECMP Max Routes	The number of ECMP routes configured for path sharing.
<i>service-id</i>	state – Current single SFM state start – Last time this vRtr went into overload, after having respected the hold-off time interval – How long the vRtr remained or is in overload
Triggered Policies	No – Triggered route policy re-evaluation is disabled. Yes – Triggered route policy re-evaluation is enabled.

Sample Output

Note that there are multiple instances of OSPF. OSPF-0 is persistent. OSPF-1 through OSPF-31 are present when that particular OSPF instance is configured.

```
*A:Performance# show router status
=====
Router Status (Router: Base)
=====
-----
Admin State      Oper State
-----
Router           Up           Up
OSPFv2-0        Up           Up
RIP              Up           Up
ISIS             Up           Up
MPLS             Not configured  Not configured
RSVP             Not configured  Not configured
LDP              Not configured  Not configured
BGP              Up           Up
IGMP             Not configured  Not configured
PIM              Not configured  Not configured
OSPFv3           Not configured  Not configured
MSDP             Not configured  Not configured

Max Routes      No Limit
Total IPv4 Routes  244285
Total IPv6 Routes  0
Max Multicast Routes  No Limit
Total Multicast Routes  PIM not configured
ECMP Max Routes  1
```

Show Commands

```
Triggered Policies          No
=====
*A:Performance#

*A:Performance# configure router ospf [1..31] shutdown
*A:Performance# show router status
=====
Router Status (Router: Base)
=====
-----
Admin State      Oper State
-----
Router           Up          Up
OSPFv2-0        Up          Up
OSPFv2-1        Down       Down
OSPFv2-2        Down       Down
OSPFv2-3        Down       Down
OSPFv2-4        Down       Down
OSPFv2-5        Down       Down
OSPFv2-6        Down       Down
OSPFv2-7        Down       Down
OSPFv2-8        Down       Down
OSPFv2-9        Down       Down
OSPFv2-10       Down       Down
OSPFv2-11       Down       Down
OSPFv2-12       Down       Down
OSPFv2-13       Down       Down
OSPFv2-14       Down       Down
OSPFv2-15       Down       Down
OSPFv2-16       Down       Down
OSPFv2-17       Down       Down
OSPFv2-18       Down       Down
OSPFv2-19       Down       Down
OSPFv2-20       Down       Down
OSPFv2-21       Down       Down
OSPFv2-22       Down       Down
OSPFv2-23       Down       Down
OSPFv2-24       Down       Down
OSPFv2-25       Down       Down
OSPFv2-26       Down       Down
OSPFv2-27       Down       Down
OSPFv2-28       Down       Down
OSPFv2-29       Down       Down
OSPFv2-30       Down       Down
OSPFv2-31       Down       Down
RIP              Up          Up
ISIS             Up          Up
MPLS             Not configured Not configured
RSVP             Not configured Not configured
LDP              Not configured Not configured
BGP              Up          Up
IGMP             Not configured Not configured
PIM              Not configured Not configured
OSPFv3          Not configured Not configured
MSDP             Not configured Not configured
Max Routes      No Limit
Total IPv4 Routes 244277
Total IPv6 Routes 0
Max Multicast Routes No Limit
Total Multicast Routes PIM not configured
```



```

ECMP Max Routes          1
Single SFM Overload      Enabled          hold-off 30 sec
Single SFM State         normal
Single SFM Start         004 19:03:39.680
Single SFM Interval      0d 00:16:06
Triggered Policies       No
=====
*A:Performance#

```

tunnel-table

Syntax `tunnel-table [ip-address[/mask]] [protocol protocol | sdp sdp-id] [summary]`

Context `show>router`

Description This command displays tunnel table information. Note that auto-bind GRE tunnels are not displayed in **show** command output. GRE tunnels are not the same as SDP tunnels that use the GRE encapsulation type. When the **auto-bind** command is used when configuring a VPRN service, it means the MP-BGP NH resolution is referring to the core routing instance for IP reachability. For a VPRN service this object specifies the lookup to be used by the routing instance if no SDP to the destination exists.

Parameters `ip-address[/mask]` — Displays the specified tunnel table's destination IP address and mask.

`protocol protocol` — Displays LDP protocol information.

`sdp sdp-id` — Displays information pertaining to the specified SDP.

`summary` — Displays summary tunnel table information.

Output **Tunnel Table Output** — The following table describes tunnel table output fields.

Label	Description
Destination	The route's destination address and mask.
Owner	Specifies the tunnel owner.
Encap	Specifies the tunnel's encapsulation type.
Tunnel ID	Specifies the tunnel (SDP) identifier.
Pref	Specifies the route preference for routes learned from the configured peer(s).
Nexthop	The next hop for the route's destination.
Metric	The route metric value for the route.

Sample Output

```

A:ALA-A>config>service# show router tunnel-table
=====
Tunnel Table

```

Show Commands

```
=====
Destination Owner  Encap  Tunnel Id  Pref  Nexthop  Metric
-----
10.0.0.1/32  sdp    GRE       10      5    10.0.0.1    0
10.0.0.1/32  sdp    GRE       21      5    10.0.0.1    0
10.0.0.1/32  sdp    GRE       31      5    10.0.0.1    0
10.0.0.1/32  sdp    GRE       41      5    10.0.0.1    0
=====
A:ALA-A>config>service#
```

```
A:ALA-A>config>service# show router tunnel-table summary
=====
Tunnel Table Summary (Router: Base)
=====
Active Available
-----
LDP          1          1
SDP          1          1
=====
A:ALA-A>config>service#
```

L2TP Show Commands

l2tp

Syntax	l2tp
Context	show>router
Description	This command enables the context to display L2TP related information.

group

Syntax	group [<i>tunnel-group-name</i> [statistics]]
Context	show>router>l2tp
Description	This command displays L2TP group operational information.
Parameters	<i>tunnel-group-name</i> — Displays information for the specified tunnel group. statistics — Displays statistics for the specified tunnel group.

Sample Output

```
*A:Dut-C# show router l2tp group
=====
L2TP Groups
=====
Group Name          Ses Limit Ses Assign   State  Tun Active Ses Active
                               Tun Total Ses Total
-----
isp1.group-1
                131071   existingFirst active    1      1
                               1      1
isp1.group-2
                131071   weighted   active    2      5
                               3      8
-----
No. of L2TP Groups: 2
=====
*A:Dut-C#

*A:Dut-C# show router l2tp group isp1.group-2
=====
Group Name: isp1.group-2
=====
Conn ID              Loc-Tu-ID Rem-Tu-ID State          Ses Active
  Group                               Assignment      Ses Total
-----
```

Show Commands

```
143523840                2190      17525      established      2
  ispl.group-2           3
  ispl.tunnel-3
236912640                3615      58919      closedByPeer     0
  ispl.group-2           2
  ispl.tunnel-2
658178048                10043     33762      draining         3
  ispl.group-2           3
  ispl.tunnel-2
-----
No. of tunnels: 3
=====
*A:Dut-C#

*A:Dut-C# show router l2tp group ispl.group-2 statistics
Group Name: ispl.group-2
-----
                Attempts   Failed   Failed-Aut         Active   Total
-----
Tunnels         3         0         0                   2         3
Sessions        8         0         N/A                 5         8
-----

                Pkt-Ctl         Pkt-Err         Octets
-----
Rx              51              0                1224
Tx              51              0                2796
-----
*A:Dut-C#
```

peer

Syntax **peer** *ip-address*
peer *ip-address* **statistics**
peer [**draining**] [**unreachable**]

Context show>router>l2tp

Description This command displays L2TP peer operational information.

Parameters *ip-address* — Display information for the specified IP address of the peer.
draining — Displays peer objects set to **drain**.
unreachable — Displays peers that are deemed unreachable.
statistics — Displays the statistics for the given IP address.

Sample Output

```
*A:Dut-C# show router l2tp peer
=====
L2TP Peers
```

```

=====
Peer IP                               Tun Active Ses Active
                               Drain Unreach Role Tun Total  Ses Total
-----
10.10.14.8                            1          1
                               LAC 1          1
10.10.20.100                          1          3
                               drain LAC 2          5
10.10.20.101                          0          0
                               unreach LAC 1          1
-----

```

No. of peers: 3

*A:Dut-C#

*A:Dut-C# show router l2tp peer unreachable

L2TP Peers

```

=====
Peer IP                               Tun Active Ses Active
                               Drain Unreach Role Tun Total  Ses Total
-----
10.10.20.101                          0          0
                               unreach LAC 1          1
-----

```

No. of peers: 1

*A:Dut-C#

*A:Dut-C# show router l2tp peer 10.10.20.101

Peer IP: 10.10.20.101

```

=====
Role           : LAC           Draining           : false
Tunnels        : 1             Tunnels Active     : 0
Sessions       : 1             Sessions Active     : 0
Unreachable    : true         Time Unreachable   : 04/17/2009 19:34:04
=====

```

```

-----
Conn ID          Loc-Tu-ID Rem-Tu-ID State          Ses Active
  Group          Assignment          Ses Total
-----
18284544         279      0          closed          0
  ispl.group-2   ispl.tunnel-3          1
-----

```

No. of tunnels: 1

*A:Dut-C#

*A:Dut-C# show router l2tp peer draining

L2TP Peers

```

=====
Peer IP                               Tun Active Ses Active
                               Drain Unreach Role Tun Total  Ses Total
-----

```

Show Commands

```
-----
10.10.20.100                                     1      3
                                                drain  LAC  2      5
-----
No. of peers: 1
=====
*A:Dut-C#

*A:Fden-Dut2-BSA2# show router l2tp peer 10.0.0.1 statistics

=====
Peer IP: 10.0.0.1
=====
tunnels                                           : 1
tunnels active                                   : 1
sessions                                          : 1
sessions active                                  : 1

rx ctrl octets                                   : 541
rx ctrl packets                                  : 5
tx ctrl octets                                   : 272
tx ctrl packets                                  : 5
tx error packets                                 : 0
rx error packets                                 : 0
rx accepted msg                                  : 4
rx duplicate msg                                 : 0
rx out of window msg                             : 0

acceptedMsgType
  StartControlConnectionRequest                  : 1
  StartControlConnectionConnected                : 1
  IncomingCallRequest                             : 1
  IncomingCallConnected                           : 1
  ZeroLengthBody                                  : 1
originalTransmittedMsgType
  StartControlConnectionReply                     : 1
  IncomingCallReply                               : 1
  ZeroLengthBody                                  : 3

last cleared time                               : N/A
=====
```

session

Syntax **session connection-id** *connection-id* [**detail**]
session [**detail**] [**session-id** *session-id* (v2)] [**state** *session-state*][**peer** *ip-address*] [**group** *group-name*] [**assignment-id** *assignment-id*] [**local-name** *local-host-name*] [**remote-name** *remote-host-name*] [**tunnel-id** *tunnel-id* (v2)]
session [**detail**] [**state** *session-state*] [**peer** *ip-address*] [**group** *group-name*] [**assignment-id** *assignment-id*] [**local-name** *local-host-name*] [**remote-name** *remote-host-name*] [**control-connection-id** *connection-id* (v3)]

Context show>router>l2tp

Description This command displays L2TP session operational information.

Parameters **connection-id** *connection-id* — Specifies the identification number for a Layer Two Tunneling Protocol connection.

Values 1 — 429496729

detail — Displays detailed L2TP session information.

session-id *session-id* (v2) — Specifies the identification number for a Layer Two Tunneling Protocol session.

Values 1 — 65535

state *session-state* — Specifies the values to identify the operational state of the L2TP session.

Values closed, closed-by-peer, established, idle, wait-reply, wait-tunnel

peer *ip-address* — Specifies the IP address of the peer.

Values ipv4-address a.b.c.d (host bits must be 0)
 ipv6-address x:x:x:x:x:x[-interface]
 x:x:x:x:x:d.d.d.d[-interface]
 x: [0..FFFF]H
 d: [0..255]D
 interface: 32 characters maximum, mandatory for link local addresses

group *group-name* — Specifies a string to identify a Layer Two Tunneling Protocol Tunnel group.

assignment-id *assignment-id* — Specifies a string that distinguishes this Layer Two Tunneling Protocol tunnel.

local-name *local-host-name* — Specifies the host name used by this system during the authentication phase of tunnel establishment.

remote-name *remote-host-name* — Specifies a string that is compared to the host name used by the tunnel peer during the authentication phase of tunnel establishment.

tunnel-id *tunnel-id (v2)* — Specifies the local identifier of this Layer Two Tunneling Protocol tunnel, when L2TP version 2 is used.

Values 1 — 65535

control-connection-id *connection-id (v3)* — Specifies an identification number for a Layer Two Tunneling Protocol session.

Values 1 — 429496729

Sample Output

```
*A:Dut-C# show router l2tp session
=====
L2TP Session Summary
=====
ID                Control Conn ID   Tunnel-ID   Session-ID   State
-----
143524786         143523840        2190        946          established
143526923         143523840        2190        3083         established
143531662         143523840        2190        7822         closed
236926987         236912640        3615        14347        closed
236927915         236912640        3615        15275        closed
379407426         379387904        5789        19522        established
658187773         658178048        10043       9725         established
658198275         658178048        10043       20227        established
658210606         658178048        10043       32558        established
-----
No. of sessions: 9
=====
*A:Dut-C#
```

```
*A:Dut-C# show router l2tp session state established
=====
L2TP Session Summary
=====
ID                Control Conn ID   Tunnel-ID   Session-ID   State
-----
143524786         143523840        2190        946          established
143526923         143523840        2190        3083         established
379407426         379387904        5789        19522        established
658187773         658178048        10043       9725         established
658198275         658178048        10043       20227        established
658210606         658178048        10043       32558        established
-----
No. of sessions: 6
=====
*A:Dut-C#
```

```
*A:Dut-C# show router l2tp session state closed detail
=====
L2TP Session Status
=====
Connection ID : 143531662
State          : closed
Tunnel Group  : ispl.group-2
```



```

Assignment ID : ispl.tunnel-3
Error Message : Terminated by PPPoE: RX PADT

Control Conn ID : 143523840          Remote Conn ID : 1148557524
Tunnel ID       : 2190                Remote Tunnel ID : 17525
Session ID      : 7822                Remote Session ID : 39124
Time Started    : 04/17/2009 18:44:37
Time Established : 04/17/2009 18:44:37 Time Closed      : 04/17/2009 18:44:50
CDN Result      : generalError         General Error    : noError
-----
L2TP Session Status
-----
Connection ID : 236926987
State         : closed
Tunnel Group  : ispl.group-2
Assignment ID : ispl.tunnel-2
Error Message : tunnel was closed

Control Conn ID : 236912640          Remote Conn ID : 3861360381
Tunnel ID       : 3615                Remote Tunnel ID : 58919
Session ID      : 14347                Remote Session ID : 44797
Time Started    : 04/17/2009 18:41:55
Time Established : 04/17/2009 18:41:55 Time Closed      : 04/17/2009 18:43:20
CDN Result      : generalError         General Error    : noError
-----
L2TP Session Status
-----
Connection ID : 236927915
State         : closed
Tunnel Group  : ispl.group-2
Assignment ID : ispl.tunnel-2
Error Message : tunnel was closed

Control Conn ID : 236912640          Remote Conn ID : 3861317210
Tunnel ID       : 3615                Remote Tunnel ID : 58919
Session ID      : 15275                Remote Session ID : 1626
Time Started    : 04/17/2009 18:41:03
Time Established : 04/17/2009 18:41:03 Time Closed      : 04/17/2009 18:43:20
CDN Result      : generalError         General Error    : noError
-----
No. of sessions: 3
-----
*A:Dut-C#

*A:Dut-C# show router l2tp session session-id 946
-----
L2TP Session Summary
-----
ID             Control Conn ID   Tunnel-ID   Session-ID   State
-----
143524786     143523840         2190        946          established
-----
No. of sessions: 1
-----
*A:Dut-C# show router l2tp session connection-id 143524786 detail
-----

```

Show Commands

```
L2TP Session Status
=====
Connection ID : 143524786
State         : established
Tunnel Group  : ispl.group-2
Assignment ID : ispl.tunnel-3
Error Message : N/A

Control Conn ID : 143523840      Remote Conn ID   : 1148528691
Tunnel ID       : 2190          Remote Tunnel ID  : 17525
Session ID      : 946           Remote Session ID : 10291
Time Started    : 04/17/2009 18:42:01
Time Established : 04/17/2009 18:42:01 Time Closed       : N/A
CDN Result      : noError       General Error     : noError
-----

*A:Dut-C#

*A:Dut-C# show router l2tp session group ispl.group-2
=====
L2TP Session Summary
=====
ID                Control Conn ID   Tunnel-ID   Session-ID   State
-----
143524786         143523840        2190        946          established
143526923         143523840        2190        3083         established
143531662         143523840        2190        7822         closed
236926987         236912640        3615        14347        closed
236927915         236912640        3615        15275        closed
658187773         658178048        10043       9725         established
658198275         658178048        10043       20227        established
658210606         658178048        10043       32558        established
-----

No. of sessions: 8
=====

*A:Dut-C#

*A:Dut-C# show router l2tp session tunnel-id 2190 state closed detail
=====
L2TP Session Status
=====
Connection ID : 143531662
State         : closed
Tunnel Group  : ispl.group-2
Assignment ID : ispl.tunnel-3
Error Message : Terminated by PPPoE: RX PADT

Control Conn ID : 143523840      Remote Conn ID   : 1148557524
Tunnel ID       : 2190          Remote Tunnel ID  : 17525
Session ID      : 7822           Remote Session ID : 39124
Time Started    : 04/17/2009 18:44:37
Time Established : 04/17/2009 18:44:37 Time Closed       : 04/17/2009 18:44:50
CDN Result      : generalError   General Error     : noError
-----

No. of sessions: 1
=====

*A:Dut-C#
```

```
*A:Dut-C# show router l2tp session assignment-id ispl.tunnel-2
=====
L2TP Session Summary
=====
ID                Control Conn ID   Tunnel-ID   Session-ID   State
-----
236926987        236912640        3615        14347        closed
236927915        236912640        3615        15275        closed
658187773        658178048        10043       9725         established
658198275        658178048        10043       20227        established
658210606        658178048        10043       32558        established
-----
No. of sessions: 5
=====
*A:Dut-C#
```

```
*A:Dut-C# show router l2tp session assignment-id ispl.tunnel-2 state established
=====
L2TP Session Summary
=====
ID                Control Conn ID   Tunnel-ID   Session-ID   State
-----
658187773        658178048        10043       9725         established
658198275        658178048        10043       20227        established
658210606        658178048        10043       32558        established
-----
No. of sessions: 3
=====
*A:Dut-C#
```

```
*A:Dut-C# show router l2tp session control-connection-id 658178048
=====
L2TP Session Summary
=====
ID                Control Conn ID   Tunnel-ID   Session-ID   State
-----
658187773        658178048        10043       9725         established
658198275        658178048        10043       20227        established
658210606        658178048        10043       32558        established
-----
No. of sessions: 3
=====
*A:Dut-C#
```

```
*A:Dut-C# show router l2tp session peer 10.10.20.100
=====
L2TP Session Summary
=====
ID                Control Conn ID   Tunnel-ID   Session-ID   State
-----
236926987        236912640        3615        14347        closed
236927915        236912640        3615        15275        closed
658187773        658178048        10043       9725         established
658198275        658178048        10043       20227        established
658210606        658178048        10043       32558        established
-----
```

Show Commands

```
-----
No. of sessions: 5
=====
*A:Dut-C#

*A:Dut-C# show router l2tp session peer 10.10.20.100 state closed detail
=====
L2TP Session Status
=====
Connection ID : 236926987
State        : closed
Tunnel Group : ispl.group-2
Assignment ID : ispl.tunnel-2
Error Message : tunnel was closed

Control Conn ID : 236912640      Remote Conn ID : 3861360381
Tunnel ID       : 3615          Remote Tunnel ID : 58919
Session ID      : 14347         Remote Session ID : 44797
Time Started    : 04/17/2009 18:41:55
Time Established : 04/17/2009 18:41:55 Time Closed      : 04/17/2009 18:43:20
CDN Result     : generalError   General Error    : noError
-----
L2TP Session Status
=====
Connection ID : 236927915
State        : closed
Tunnel Group : ispl.group-2
Assignment ID : ispl.tunnel-2
Error Message : tunnel was closed

Control Conn ID : 236912640      Remote Conn ID : 3861317210
Tunnel ID       : 3615          Remote Tunnel ID : 58919
Session ID      : 15275         Remote Session ID : 1626
Time Started    : 04/17/2009 18:41:03
Time Established : 04/17/2009 18:41:03 Time Closed      : 04/17/2009 18:43:20
CDN Result     : generalError   General Error    : noError
-----
No. of sessions: 2
=====
*A:Dut-C#

*A:Dut-C# show router l2tp session local-name lacl.wholesaler.com
=====
L2TP Session Summary
=====
ID                Control Conn ID   Tunnel-ID   Session-ID   State
-----
143524786         143523840        2190       946          established
143526923         143523840        2190       3083         established
143531662         143523840        2190       7822         closed
236926987         236912640        3615       14347        closed
236927915         236912640        3615       15275        closed
379407426         379387904        5789       19522        established
658187773         658178048        10043      9725         established
658198275         658178048        10043      20227        established
658210606         658178048        10043      32558        established
```

```
-----
No. of sessions: 9
=====
```

```
*A:Dut-C#
```

```
*A:Dut-C# show router l2tp session local-name lacl.wholesaler.com remote-name
lns.retailer1.net
```

```
=====
L2TP Session Summary
=====
```

ID	Control Conn ID	Tunnel-ID	Session-ID	State
379407426	379387904	5789	19522	established

```
-----
No. of sessions: 1
=====
```

```
*A:Dut-C#
```

```
*A:Fden-Dut2-BSA2# show router l2tp session connection-id 600407016
```

```
=====
L2TP Session Summary
=====
```

ID	Control Conn ID	Tunnel-ID	Session-ID	State
600407016	600375296	9161	31720	established

```

simon@base.lac.base.lns
interface: gi_base_lns_base_lac
service-id: 100
ip-address: 10.100.2.1
=====
```

```
*A:Fden-Dut2-BSA2# show router l2tp session connection-id 600407016 detail
```

```
=====
L2TP Session Status
=====
```

```

Connection ID: 600407016
State          : established
Tunnel Group  : base_lns_base_lac
Assignment ID : t1
Error Message : N/A
```

```

Control Conn ID : 600375296          Remote Conn ID   : 1026712216
Tunnel ID       : 9161              Remote Tunnel ID : 15666
Session ID      : 31720             Remote Session ID: 25240
Time Started    : 02/02/2010 09:08:54
Time Established: 02/02/2010 09:08:54 Time Closed      : N/A
CDN Result      : noError           General Error    : noError
=====
```

```
PPP information
```

```

Service Id      : 100
Interface       : gi_base_lns_base_lac
LCP State       : opened
IPCP State      : opened
```

Show Commands

```
IPv6CP State      : initial
PPP MTU           : 1492
PPP Auth-Protocol : chap
PPP User-Name     : simon@base.lac.base.lns

Subscriber Origin : radius
Strings Origin    : radius
IPCP Info Origin  : radius
IPv6CP Info Origin : none

Subscriber        : "simon"
Sub-Profile-String : "subl"
SLA-Profile-String : "slal"
ANCP-String       : ""
Int-Dest-Id       : ""
App-Profile-String : ""
Category-Map-Name : ""

IP Address        : 10.100.2.1
Primary DNS       : N/A
Secondary DNS     : N/A
Primary NBNS     : N/A
Secondary NBNS   : N/A
Address-Pool      : N/A

IPv6 Prefix       : N/A
IPv6 Del.Pfx.     : N/A
Primary IPv6 DNS  : N/A
Secondary IPv6 DNS : N/A

Circuit-Id        : (Not Specified)
Remote-Id         : (Not Specified)

Session-Timeout   : N/A
Radius Class      : (Not Specified)
Radius User-Name  : simon@base.lac.base.lns
```

statistics

Syntax **statistics**

Context show>router>l2tp

Description This command displays L2TP statistics.

Sample Output

```
*A:Dut-C# show router l2tp statistics
=====
L2TP Statistics
=====
Tunnels                               Sessions
-----
Active           : 3                   Active           : 6
```

```
Setup history since 04/17/2009 18:38:41
```

```
Total           : 4           Total           : 9
Failed          : 0           Failed          : 0
Failed Auth     : 0
```

```
=====
*A:Dut-C#
```

tunnel

Syntax **tunnel** [**statistics**] [**detail**] [**peer** *ip-address*] [**state** *tunnel-state*] [**remote-connection-id** *remote-connection-id (v3)*] [**group** *group-name*] [**assignment-id** *assignment-id*] [**local-name** *host-name*] [**remote-name** *host-name*]

tunnel [**statistics**] [**detail**] [**peer** *ip-address*] [**state** *tunnel-state*] [**remote-tunnel-id** *remote-tunnel-id (v2)*] [**group** *group-name*] [**assignment-id** *assignment-id*] [**local-name** *host-name*] [**remote-name** *host-name*]

tunnel **tunnel-id** *tunnel-id (v2)* [**statistics**] [**detail**]

tunnel **connection-id** *connection-id (v3)* [**statistics**] [**detail**]

Context show>router>l2tp

Description This command displays L2TP tunnel operational information.

Parameters **statistics** — Displays L2TP tunnel statistics.

detail — Displays detailed L2TP tunnel information.

peer *ip-address* — Displays information for the the IP address of the peer.

state *tunnel-state* — Displays the operational state of the tunnel.

remote-connection-id *remote-connection-id (v3)* — Displays information for the specified remote connection ID.

group *group-name* — Displays L2TP tunnel information for the specified tunnel group.

assignment-id *assignment-id* —

local-name *host-name* — Specifies a local host name used by this system.

remote-name *host-name* — Specifies a remote host name used by this system.

connection-id *connection-id* — Specifies the identification number for a Layer Two Tunneling Protocol connection.

Values 1 — 429496729

detail — Displays detailed L2TP session information.

session-id *session-id (v2)* — Displays information for the specified the L2TP session.

Values 1 — 65535

state *session-state* — Displays the operational state of the L2TP session.

Values closed, closed-by-peer, draining, drained, established, established-idle, idle, wait-reply, wait-conn

peer *ip-address* — Displays information for the specified peer IP address.

Values

ipv4-address	a.b.c.d (host bits must be 0)
ipv6-address	x:x:x:x:x:x:x[-interface]
	x:x:x:x:x:d.d.d.d[-interface]
	x: [0..FFFF]H
	d: [0..255]D
	interface: 32 characters maximum, mandatory for link local addresses

tunnel-id *tunnel-id (v2)* — Displays information for the specified ID of a L2TP tunnel.

In L2TP version 2, it is the 16-bit tunnel ID.

Values 1 — 65535

control-connection-id *connection-id (v3)* — Displays information for the specified ID of a L2TP tunnel. In L2TP version 3, it is the 32-bit control connection ID.

Values 1 — 429496729

Sample Output

```
*A:Dut-C# show router l2tp tunnel
=====
Conn ID          Loc-Tu-ID Rem-Tu-ID State          Ses Active
  Group                               Ses Total
  Assignment
-----
143523840        2190      17525   established      2
  ispl.group-2                                     3
  ispl.tunnel-3
236912640        3615      58919   closedByPeer     0
  ispl.group-2                                     2
  ispl.tunnel-2
379387904        5789      4233    established      1
  ispl.group-1                                     1
  ispl.tunnel-1
658178048        10043     33762   draining         3
  ispl.group-2                                     3
  ispl.tunnel-2
-----
No. of tunnels: 4
=====
*A:Dut-C#
```

```
*A:Dut-C# show router l2tp tunnel state closed-by-peer detail
=====
L2TP Tunnel Status
=====
Connection ID : 236912640
State         : closedByPeer
```



```

IP : 10.20.1.3
Peer IP : 10.10.20.100
Name : lacl.wholesaler.com
Remote Name : lns2.retailer1.net
Assignment ID : ispl.tunnel-2
Group Name : ispl.group-2
Error Message : Goodbye!

```

```

Tunnel ID : 3615
UDP Port : 1701
Preference : 100
Hello Interval (s): infinite
Idle TO (s) : 60
Max Retr Estab : 5
Session Limit : 1000
Transport Type : udpIp
Time Started : 04/17/2009 18:41:03
Time Established : 04/17/2009 18:41:03
Stop CCN Result : generalReq

Remote Conn ID : 3861315584
Remote Tunnel ID : 58919
Remote UDP Port : 1701
Destruct TO (s) : 7200
Max Retr Not Estab: 5
AVP Hiding : never
Challenge : never
Time Idle : 04/17/2009 18:43:20
Time Closed : 04/17/2009 18:43:20
General Error : noError

```

No. of tunnels: 1

*A:Dut-C#

*A:Dut-C# show router l2tp tunnel state established

```

=====
Conn ID          Loc-Tu-ID Rem-Tu-ID State          Ses Active
Group           Assignment
-----
143523840        2190     17525   established      2
  ispl.group-2
  ispl.tunnel-3
379387904        5789     4233   established      1
  ispl.group-1
  ispl.tunnel-1
-----

```

No. of tunnels: 2

*A:Dut-C#

*A:Dut-C# show router l2tp tunnel tunnel-id 2190 statistics

L2TP Tunnel Statistics

Connection ID: 143523840

```

-----
Attempts  Failed          Active  Total
-----
Sessions   3           0           2       3
-----
Rx                                     Tx
-----
Ctrl Packets  47          47
Ctrl Octets   954         1438
-----

```

Show Commands

```
Error Packets 0
-----
*A:Dut-C#

*A:Dut-C# show router l2tp tunnel connection-id 143523840 statistics
=====
L2TP Tunnel Statistics
=====
Connection ID: 143523840
-----
              Attempts    Failed                Active    Total
-----
Sessions      3          0                2         3
-----
-----
              Rx                Tx
-----
Ctrl Packets  48                48
Ctrl Octets   974               1450
Error Packets 0                0
-----
*A:Dut-C#

*A:Dut-C# show router l2tp tunnel remote-tunnel-id 17525 detail
=====
L2TP Tunnel Status
=====
Connection ID : 143523840
State         : established
IP            : 10.20.1.3
Peer IP       : 10.10.20.101
Name          : lac1.wholesaler.com
Remote Name   : lns3.retailer1.net
Assignment ID : ispl.tunnel-3
Group Name    : ispl.group-2
Error Message : N/A

Tunnel ID      : 2190
UDP Port       : 1701
Preference     : 100
Hello Interval (s): 300
Idle TO (s)    : 0
Max Retr Estab : 5
Session Limit  : 1000
Transport Type : udpIp
Time Started   : 04/17/2009 18:41:14
Time Established : 04/17/2009 18:41:14
Stop CCN Result : noError

Remote Conn ID : 1148518400
Remote Tunnel ID : 17525
Remote UDP Port  : 1701

Destruct TO (s) : 7200
Max Retr Not Estab: 5
AVP Hiding      : never
Challenge       : never
Time Idle       : N/A
Time Closed     : N/A
General Error   : noError
-----
No. of tunnels: 1
=====
*A:Dut-C#

*A:Dut-C# show router l2tp tunnel remote-connection-id 1148518400 statistics
=====
```

```

L2TP Tunnel Statistics
=====
Connection ID: 143523840
-----
              Attempts   Failed                Active   Total
-----
Sessions      3           0                2        3
-----
              Rx                Tx
-----
Ctrl Packets  50                50
Ctrl Octets   1014             1474
Error Packets 0                0
-----
No. of tunnels: 1
=====
*A:Dut-C#

```

```

*A:Dut-C# show router l2tp tunnel peer 10.10.20.100 state closed-by-peer detail
=====
L2TP Tunnel Status
=====
Connection ID : 236912640
State         : closedByPeer
IP            : 10.20.1.3
Peer IP       : 10.10.20.100
Name          : lac1.wholesaler.com
Remote Name   : lns2.retailer1.net
Assignment ID : ispl.tunnel-2
Group Name    : ispl.group-2
Error Message : Goodbye!

Tunnel ID      : 3615
UDP Port       : 1701
Preference     : 100
Hello Interval (s): infinite
Idle TO (s)    : 60
Max Retr Estab : 5
Session Limit  : 1000
Transport Type : udpIp
Time Started   : 04/17/2009 18:41:03
Time Established : 04/17/2009 18:41:03
Stop CCN Result : generalReq

Remote Conn ID : 3861315584
Remote Tunnel ID : 58919
Remote UDP Port : 1701

Destruct TO (s) : 7200
Max Retr Not Estab: 5
AVP Hiding      : never
Challenge        : never
Time Idle       : 04/17/2009 18:43:20
Time Closed     : 04/17/2009 18:43:20
General Error   : noError
-----
No. of tunnels: 1
=====
*A:Dut-C#

```

```

*A:Dut-C# show router l2tp tunnel group ispl.group-2
=====
Conn ID      Loc-Tu-ID Rem-Tu-ID State      Ses Active
  Group                               Ses Total
  Assignment
-----
143523840    2190     17525   established    2

```

Show Commands

```

isp1.group-2                                     3
  isp1.tunnel-3
236912640                                       3615    58919    closedByPeer    0
  isp1.group-2                                     2
  isp1.tunnel-2
658178048                                       10043   33762    draining        3
  isp1.group-2                                     3
  isp1.tunnel-2
-----
No. of tunnels: 3
=====
*A:Dut-C#

*A:Dut-C# show router l2tp tunnel assignment-id isp1.tunnel-3 state established sta-
tistics
=====
L2TP Tunnel Statistics
=====
Connection ID: 143523840
-----
              Attempts    Failed                                Active    Total
-----
Sessions      3             0                                2         3
-----
              Rx                                Tx
-----
Ctrl Packets  66                                66
Ctrl Octets   1310                               1690
Error Packets 0                                 0
-----
No. of tunnels: 1
=====
*A:Dut-C#

*A:Dut-C# show router l2tp tunnel local-name lac1.wholesaler.com remote-name
lns2.retailer1.net state draining
=====
Conn ID          Loc-Tu-ID Rem-Tu-ID State          Ses Active
Group           Assignment
-----
658178048        10043    33762    draining        3
  isp1.group-2
  isp1.tunnel-2
-----
No. of tunnels: 1
=====
*A:Dut-C#

*A:Fden-Dut2-BSA2# show router l2tp tunnel connection-id 600375296 statistics
=====
L2TP Tunnel Statistics
=====
Connection ID: 600375296

```

```

-----
                Attempts   Failed                               Active   Total
-----
Sessions        1         0                               1         1
-----

                Rx                               Tx
-----
Ctrl Packets    6                               6
Ctrl Octets    553                              292
Error Packets   0                               0
-----

                Accepted   Duplicate                               Out-Of-Wnd
-----
Fsm Messages  4         0                               0
-----

                Unsent Max Unsent Cur                               Ack Max   Ack Cur
-----
Q Length      1         0                               1         0
-----

Window Size Cur                               : 4
acceptedMsgType
  StartControlConnectionRequest              : 1
  StartControlConnectionConnected            : 1
  IncomingCallRequest                         : 1
  IncomingCallConnected                       : 1
  ZeroLengthBody                              : 3
originalTransmittedMsgType
  StartControlConnectionReply                 : 1
  Hello                                       : 2
  IncomingCallReply                           : 1
  ZeroLengthBody                              : 3

last cleared time                             : N/A
=====

```

Clear Commands

router

Syntax	router <i>router-instance</i>									
Context	clear>router									
Description	This command clears for a the router instance in which they are entered.									
Parameters	<i>router-instance</i> — Specify the router name or service ID. <table><tr><td>Values</td><td><i>router-name:</i></td><td>Base, management, vpls-management</td></tr><tr><td></td><td><i>service-id:</i></td><td>1 — 2147483647</td></tr><tr><td>Default</td><td>Base</td><td></td></tr></table>	Values	<i>router-name:</i>	Base, management, vpls-management		<i>service-id:</i>	1 — 2147483647	Default	Base	
Values	<i>router-name:</i>	Base, management, vpls-management								
	<i>service-id:</i>	1 — 2147483647								
Default	Base									

arp

Syntax	arp { all <i>ip-addr</i> interface { <i>ip-int-name</i> <i>ip-addr</i> }}
Context	clear>router
Description	This command clears all or specific ARP entries. The scope of ARP cache entries cleared depends on the command line option(s) specified.
Parameters	all — Clears all ARP cache entries. <i>ip-addr</i> — Clears the ARP cache entry for the specified IP address. interface <i>ip-int-name</i> — Clears all ARP cache entries for the IP interface with the specified name. interface <i>ip-addr</i> — Clears all ARP cache entries for the specified IP interface with the specified IP address.

bfd

Syntax	bfd src-ip <i>ip-address</i> dst-ip <i>ip-address</i> bfd all
Context	clear>router
Description	This command enables the context to clear bi-directional forwarding (BFD) sessions and statistics.

session

Syntax	session src-ip <i>ip-address</i> dst-ip <i>ip-address</i>
Context	clear>router>bfd
Description	This command clears BFD sessions.
Parameters	src-ip <i>ip-address</i> — Specifies the address of the local endpoint of this BFD session. dst-ip <i>ip-address</i> — Specifies the address of the remote endpoint of this BFD session.

statistics

Syntax	statistics src-ip <i>ip-address</i> dst-ip <i>ip-address</i> statistics all
Context	clear>router>bfd
Description	This command clears BFD statistics.
Parameters	src-ip <i>ip-address</i> — Specifies the address of the local endpoint of this BFD session. dst-ip <i>ip-address</i> — Specifies the address of the remote endpoint of this BFD session. all — Clears statistics for all BFD sessions.

dhcp

Syntax	dhcp
Context	clear>router
Description	This command enables the context to clear DHCP related information.

dhcp6

Syntax	dhcp6
Context	clear>router
Description	This command enables the context to clear DHCP6 related information.

forwarding-table

Syntax	forwarding-table [<i>slot-number</i>]
Context	clear>router
Description	This command clears entries in the forwarding table (maintained by the IOMs). If the slot number is not specified, the command forces the route table to be recalculated.
Parameters	<i>slot-number</i> — Clears the specified card slot. Default all IOMs Values 1 — 10

grt-lookup

Syntax	grt-lookup
Context	clear>router
Description	This command re-evaluates route policies for GRT.

icmp-redirect-route

Syntax	icmp-redirect-route { all <i>ip-address</i> }
Context	clear>router
Description	This command deletes routes created as a result of ICMP redirects received on the management interface.
Parameters	all — Clears all routes. <i>ip-address</i> — Clears the routes associated with the specified IP address.

icmp6

Syntax	icmp6 all icmp6 global icmp6 interface <i>interface-name</i>
Context	clear>router
Description	This command clears ICMP statistics.
Parameters	all — Clears all statistics. global — Clears global statistics.

interface-name — Clears ICMP6 statistics for the specified interface.

interface

Syntax	interface [<i>ip-int-name</i> <i>ip-addr</i>] [icmp] [urpf-stats] [statistics]
Context	clear>router
Description	This command clears IP interface statistics. If no IP interface is specified either by IP interface name or IP address, the command will perform the clear operation on all IP interfaces.
Parameters	<i>ip-int-name</i> / <i>ip-addr</i> — The IP interface name or IP interface address. Default All IP interfaces. icmp — Specifies to reset the ICMP statistics for the IP interface(s) used for ICMP rate limiting. urpf-stats — - Resets the statistics associated with uRPF failures. statistics — - Resets the IP interface traffic statistics.

l2tp

Syntax	l2tp
Context	clear>router
Description	This command enables the context to clear L2PT data.

group

Syntax	group <i>tunnel-group-name</i>
Context	clear>router>l2tp
Description	This command clears L2PT data.
Parameters	<i>tunnel-group-name</i> — Specifies a Layer Two Tunneling Protocol Tunnel Group name.

tunnel

Syntax	tunnel <i>tunnel-id</i>
Context	clear>router>l2tp
Description	This command clears L2PT data.

Clear Commands

Parameters *tunnel-group-name* — Clears L2TP tunnel statistics.

statistics

Syntax **statistics**

Context
clear>router>l2tp
clear>router>l2tp>group
clear>router>l2tp> tunnel

Description This command clears statistics for the specified context.

statistics

Syntax **statistics** [*ip-address* | *ip-int-name*]

Context
clear>router>dhcp
clear>router>dhcp6

Description This command clear statistics for DHCP and DHCP6and DHCP6 relay and snooping statistics.
If no IP address or interface name is specified, then statistics are cleared for all configured interfaces.
If an IP address or interface name is specified, then only data regarding the specified interface is cleared.

Parameters *ip-address* | *ip-int-name* — Displays statistics for the specified IP interface.

neighbor

Syntax **neighbor** {**all** | *ip-address*}
neighbor [**interface** *ip-int-name* | *ip-address*]

Context clear>router

Description This command clears IPv6 neighbor information.

Parameters **all** — Clears IPv6 neighbors.

ip-int-name — Clears the specified neighbor interface information.

Values 32 characters maximum

ip-address — Clears the specified IPv6 neighbors.

Values ipv6-address: x:x:x:x:x:x:x (eight 16-bit pieces)
x:x:x:x:x:d.d.d.d
x: [0 — FFFF]H
d: [0 — 255]D

router-advertisement

Syntax	router-advertisement all router-advertisement [interface <i>interface-name</i>]
Context	clear>router
Description	This command clears all router advertisement counters.
Parameters	<i>all</i> — Clears all router advertisement counters for all interfaces. interface <i>interface-name</i> — Clear router advertisement counters for the specified interface.

Debug Commands

destination

Syntax	destination <i>trace-destination</i>
Context	debug>trace
Description	This command specifies the destination to send trace messages.
Parameters	<i>trace-destination</i> — The destination to send trace messages. Values stdout, console, logger, memory

enable

Syntax	[no] enable
Context	debug>trace
Description	This command enables the trace. The no form of the command disables the trace.

trace-point

Syntax	[no] trace-point [module <i>module-name</i>] [type <i>event-type</i>] [class <i>event-class</i>] [task <i>task-name</i>] [function <i>function-name</i>]
Context	debug>trace
Description	This command adds trace points. The no form of the command removes the trace points.

router

Syntax	router <i>router-instance</i>
Context	debug
Description	This command configures debugging for a router instance.
Parameters	<i>router-instance</i> — Specify the router name or service ID. Values <i>router-name:</i> Base, management <i>service-id:</i> 1 — 2147483647

Default Base

ip

Syntax ip

Context debug>router

Description This command configures debugging for IP.

arp

Syntax arp

Context debug>router>ip

Description This command configures route table debugging.

icmp

Syntax [no] icmp

Context debug>router>ip

Description This command enables ICMP debugging.

icmp6

Syntax icmp6 [*ip-int-name*]
no icmp6

Context debug>router>ip

Description This command enables ICMP6 debugging.

interface

Syntax [no] interface [*ip-int-name* | *ip-address* | *ipv6-address* | *ipv6-address*]

Context debug>router>ip

Description This command displays the router IP interface table sorted by interface index.

- Parameters** *ip-address* — Only displays the interface information associated with the specified IP address.
- Values**
- | | |
|--------------|-------------------------------------|
| ipv4-address | a.b.c.d (host bits must be 0) |
| ipv6-address | x:x:x:x:x:x:x (eight 16-bit pieces) |
| | x:x:x:x:x:d.d.d.d |
| | x: [0 — FFFF]H |
| | d: [0 — 255]D |
- ip-int-name* — Only displays the interface information associated with the specified IP interface name.
- Values** 32 characters maximum

packet

- Syntax** **packet** [*ip-int-name* | *ip-address*] [**headers**] [*protocol-id*]
no packet [*ip-int-name* | *ip-address*]
- Context** debug>router>ip
- Description** This command enables debugging for IP packets.
- Parameters** *ip-int-name* — Only displays the interface information associated with the specified IP interface name.
- Values** 32 characters maximum
- ip-address* — Only displays the interface information associated with the specified IP address.
- headers** — Only displays information associated with the packet header.
- protocol-id* — Specifies the decimal value representing the IP protocol to debug. Well known protocol numbers include ICMP(1), TCP(6), UDP(17). The **no** form the command removes the protocol from the criteria.
- Values** 0 — 255 (values can be expressed in decimal, hexadecimal, or binary)
 keywords: none, crtp, crudp, egp, eigrp, encap, ether-ip, gre, icmp, idrp, igmp, igp, ip, ipv6, ipv6-frag, ipv6-icmp, ipv6-no-nxt, ipv6-opts, ipv6-route, isis, iso-ip, l2tp, ospf-igp, pim, pnni, ptp, rdp, rsvp, stp, tcp, udp, vrrp
 * — udp/tcp wildcard

route-table

- Syntax** **route-table** [*ip-prefix/prefix-length*]
route-table *ip-prefix/prefix-length* **longer**
no route-table
- Context** debug>router>ip
- Description** This command configures route table debugging.

Parameters *ip-prefix* — The IP prefix for prefix list entry in dotted decimal notation.

Values	ipv4-prefix	a.b.c.d (host bits must be 0)
	ipv4-prefix-length	0 — 32
	ipv6-prefix	x:x:x:x:x:x:x (eight 16-bit pieces)
		x:x:x:x:x:d.d.d.d
		x: [0 — FFFF]H
		d: [0 — 255]D
	ipv6-prefix-length	0 — 128

longer — Specifies the prefix list entry matches any route that matches the specified *ip-prefix* and prefix *mask* length values greater than the specified *mask*.

tunnel-table

Syntax **tunnel-table** [*ip-address*] [**ldp** | **rsvp** [**tunnel-id** *tunnel-id*]] [**sdp** [**sdp-id** *sdp-id*]]

Context debug>router>ip

Description This command enables debugging for tunnel tables.

mtrace

Syntax [**no**] **mtrace**

Context debug>router

Description This command configures debugging for mtrace.

misc

Syntax [**no**] **misc**

Context debug>router>mtrace

Description This command enables debugging for mtrace miscellaneous.

packet

Syntax [**no**] **packet** [**query** | **request** | **response**]

Context debug>router>mtrace

Description This command enables debugging for mtrace packets.

In This Chapter

This chapter provides information about configuring Virtual Router Redundancy Protocol (VRRP) parameters. Topics in this chapter include:

- [VRRP Overview on page 234](#)
 - [Virtual Router on page 235](#)
 - [IP Address Owner on page 235](#)
 - [Primary and Secondary IP Addresses on page 236](#)
 - [Virtual Router Master on page 236](#)
 - [Virtual Router Backup on page 237](#)
 - [Owner and Non-Owner VRRP on page 237](#)
 - [Configurable Parameters on page 238](#)
- [VRRP Priority Control Policies on page 246](#)
 - [VRRP Virtual Router Policy Constraints on page 246](#)
 - [VRRP Virtual Router Instance Base Priority on page 246](#)
 - [VRRP Priority Control Policy Delta In-Use Priority Limit on page 247](#)
 - [VRRP Priority Control Policy Priority Events on page 248](#)
- [VRRP Non-Owner Accessibility on page 253](#)
 - [Non-Owner Access Ping Reply on page 253](#)
 - [Non-Owner Access Telnet on page 253](#)
 - [Non-Owner Access SSH on page 254](#)
 - [VRRP Advertisement Message IP Address List Verification on page 244](#)
- [VRRP Configuration Process Overview on page 255](#)
- [Configuration Notes on page 256](#)

VRRP Overview

The Virtual Router Redundancy Protocol (VRRP) for IPv4 is defined in the IETF RFC 3768, *Virtual Router Redundancy Protocol*. VRRP for IPv6 is specified in *draft-ietf-vrrp-unified-spec-02.txt*. VRRP describes a method of implementing a redundant IP interface shared between two or more routers on a common LAN segment, allowing a group of routers to function as one virtual router. When this IP interface is specified as a default gateway on hosts directly attached to this LAN, the routers sharing the IP interface prevent a single point of failure by limiting access to this gateway address. VRRP can be implemented on IES service interfaces and on core network IP interfaces.

If the master virtual router fails, the backup router configured with the highest acceptable priority becomes the master virtual router. The new master router assumes the normal packet forwarding for the local hosts.

Figure 11 displays an example of a VRRP configuration.

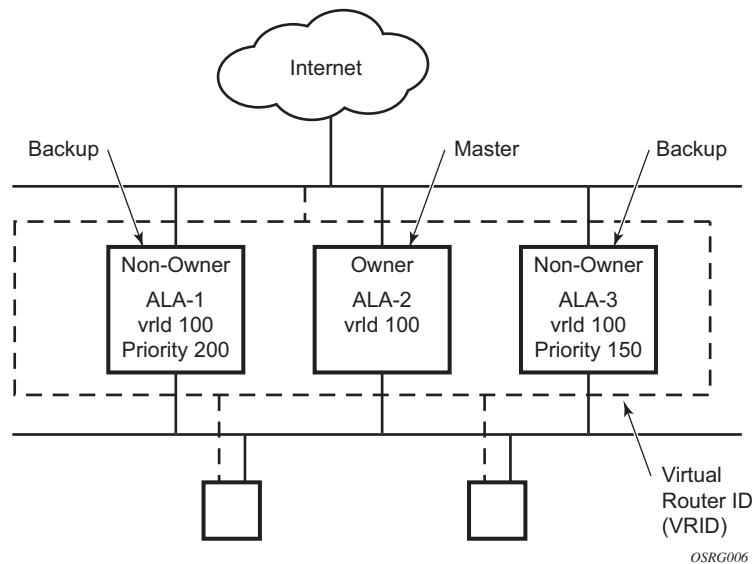


Figure 11: VRRP Configuration

VRRP Components

VRRP consists of the following components:

- [Virtual Router on page 235](#)
 - [IP Address Owner on page 235](#)
 - [Primary and Secondary IP Addresses on page 236](#)
 - [Virtual Router Master on page 236](#)
 - [Virtual Router Backup on page 237](#)
 - [Owner and Non-Owner VRRP on page 237](#)
-

Virtual Router

A virtual router is a logical entity managed by VRRP that acts as a default router for hosts on a shared LAN. It consists of a Virtual Router Identifier (VRID) and a set of associated IP addresses (or address) across a common LAN. A VRRP router can backup one or more virtual routers.

The purpose of supporting multiple IP addresses within a single virtual router is for multi-netting. This is a common mechanism that allows multiple local subnet attachment on a single routing interface. Up to four virtual routers are possible on a single Alcatel-Lucent IP interface. The virtual routers must be in the same subnet. Each virtual router has its own VRID, state machine and messaging instance.

IP Address Owner

VRRP can be configured in either an owner or non-owner mode. The owner is the VRRP router whose virtual router IP address is the same as the real interface IP address. This is the router that responds to packets addressed to one of the IP addresses for ICMP pings, TCP connections, etc. All other virtual router instances participating in this message domain must have the same VRID configured and cannot be configured as owner.

7750 SR OS allows the virtual routers to be configured as non-owners of the IP address. VRRP on a 7750 SR router can be configured to allow non-owners to respond to ICMP echo requests when they become the virtual router master for the virtual router. Telnet and other connection-oriented protocols can also be configured for non-owner master response. However, the individual application conversations (connections) will not survive a VRRP failover. A non-owner VRRP

router operating as a backup will not respond to any packets addressed to any of the virtual router IP addresses.

Primary and Secondary IP Addresses

A primary address is an IP address selected from the set of real interface address. VRRP advertisements are always sent using the primary IP address as the source of the IP packet.

A 7750 SR IP interface must always have a primary IP address assigned for VRRP to be active on the interface. 7750 SR OS supports both primary and secondary IP addresses (multi-netting) on the IP interface. The virtual router's VRID primary IP address is always the primary address on the IP interface. VRRP uses the primary IP address as the IP address placed in the source IP address field of the IP header for all VRRP messages sent on that interface.

Virtual Router Master

The VRRP router which controls the IP address(es) associated with a virtual router is called the master. The master is responsible for forwarding packets sent to the VRRP IP addresses. An election process provides dynamic failover of the forwarding responsibility if the master becomes unavailable. This allows any of the virtual router IP addresses on the LAN to be used as the default first hop router by end hosts. This enables a higher availability default path without requiring configuration of dynamic routing or router discovery protocols on every end host.

If the master is unavailable, each backup virtual router for the VRID compare the configured priority values to determine the master role. In case of a tie, the virtual router with the highest primary IP address becomes master.

The `preempt` parameter can be set to `false` to prevent a backup virtual router with a better priority value from becoming master when an existing non-owner virtual router is the current master. This is determined on a first-come, first-served basis.

While master, a virtual router routes and originates all IP packets into the LAN using the physical MAC address for the IP interface as the Layer 2 source MAC address, not the VRID MAC address. ARP packets also use the parent IP interface MAC address as the Layer 2 source MAC address while inserting the virtual router MAC address in the appropriate hardware address field. VRRP messages are the only packets transmitted using the virtual router MAC address as the Layer 2 source MAC.

Virtual Router Backup

A new virtual router master is selected from the set of VRRP routers available to assume forwarding responsibility for a virtual router should the current master fail.

Owner and Non-Owner VRRP

The owner controls the IP address of the virtual router and is responsible for forwarding packets sent to this IP address. The owner assumes the role of the master virtual router. Only one virtual router in the domain can be configured as owner. All other virtual router instances participating in this message domain must have the same VRID configured.

The most important parameter to be defined on a non-owner virtual router instance is the priority. The priority defines a virtual router's selection order in the master election process. The priority value and the preempt mode determine the virtual router with the highest priority to become the master virtual router.

The base priority is used to derive the in-use priority of the virtual router instance as modified by any optional VRRP priority control policy. VRRP priority control policies can be used to either override or adjust the base priority value depending on events or conditions within the chassis.

For information about non-owner access parameters, refer to [VRRP Non-Owner Accessibility on page 253](#).

Configurable Parameters

In addition to backup IP addresses, to facilitate configuration of a virtual router on 7750 SR routers, the following parameters can be defined in owner configurations:

- [Virtual Router ID \(VRID\) on page 238](#)
- [Message Interval and Master Inheritance on page 240](#)
- [VRRP Message Authentication on page 242](#)
- [Authentication Data on page 244](#)
- [Virtual MAC Address on page 244](#)

The following parameters can be defined in non-owner configurations:

- [Virtual Router ID \(VRID\) on page 238](#)
 - [Priority on page 238](#)
 - [Message Interval and Master Inheritance on page 240](#)
 - [Master Down Interval on page 241](#)
 - [Preempt Mode on page 241](#)
 - [VRRP Message Authentication on page 242](#)
 - [Authentication Data on page 244](#)
 - [Virtual MAC Address on page 244](#)
 - [Inherit Master VRRP Router's Advertisement Interval Timer on page 245](#)
 - [Policies on page 245](#)
-

Virtual Router ID (VRID)

The VRID must be configured with the same value on each virtual router associated with the redundant IP address (IP addresses). It is placed in all VRRP advertisement messages sent by each virtual router.

Priority

The priority value affects the interaction between this VRID and the same VRID of other virtual routers participating on the same LAN. A higher priority value defines a greater priority in becoming the virtual router master for the VRID. The priority value can only be configured when

the defined IP address on the IP interface is different than the virtual router IP address (non-owner mode).

When the IP address on the IP interface matches the virtual router IP address (owner mode), the priority value is fixed at 255, the highest value possible. This virtual router member is considered the owner of the virtual router IP address. There can only be one owner of the virtual router IP address for all virtual router members.

The priority value 0 is reserved for VRRP advertisement message purposes. It is used to tell other virtual routers in the same VRID that this virtual router is no longer acting as master, triggering a new election process. When this happens, each backup virtual router sets its master down timer equal to the skew time value. This shortens the time until one of the backup virtual routers becomes master.

The current master virtual router must transmit a VRRP advertisement message immediately upon receipt of a VRRP message with priority set to 0. This prevents another backup from becoming master for a short period of time.

Non-owner virtual routers may be configured with a priority of 254 through 1. The default value is 100. Multiple non-owners can share the same priority value. When multiple non-owner backup virtual routers are tied (transmit VRRP advertisement messages simultaneously) in the election process, both become master simultaneously, the one with the best priority will win the election. If the priority value in the message is equal to the master's local priority value, then the primary IP address of the local master and the message is evaluated as the tie breaker. The higher IP address becomes master. (The primary IP address is the source IP address of the VRRP advertisement message.)

The priority is also used to determine when to preempt the existing master. If the preempt mode value is true, VRRP advertisement messages from inferior (lower priority) masters are discarded, causing the master down timer to expire and the transition to master state.

The priority value also dictates the skew time added to the master timeout period.

IP Addresses

Each virtual router participating in the same VRID should be defined with the same set of IP addresses. These are the IP addresses being used by hosts on the LAN as gateway addresses. Multi-netting supports 16 IP addresses on the IP interface, up to 16 addresses can be assigned to a specific a virtual router instance.

Message Interval and Master Inheritance

Each virtual router is configured with a message interval per VRID within which it participates. This parameter must be the same for every virtual router on the VRID.

For IPv4, the default advertisement interval is 1 second and can be configured between 100 milliseconds and 255 seconds 900 milliseconds. For IPv6, the default advertisement interval is 1 second and can be configured between 100 milliseconds and 40 seconds 950 milliseconds.

As specified in the RFC, the advertisement interval field in every received VRRP advertisement message must match the locally configured advertisement interval. If a mismatch occurs, depending on the inherit configuration, the current master's advertisement interval setting can be used to operationally override the locally configured advertisement interval setting. If the current master changes, the new master setting is used. If the local virtual router becomes master, the locally configured advertisement interval is enforced.

If a VRRP advertisement message is received with an advertisement interval set to a value different than the local value and the inherit parameter is disabled, the message is discarded without processing.

The master virtual router on a VRID uses the advertisement interval to load the advertisement timer, specifying when to send the next VRRP advertisement message. Each backup virtual router on a VRID uses the advertisement interval (with the configured local priority) to derive the master down timer value.

VRRP advertisements messages that are fragmented, contain IP options (IPv4), or contain extension headers (IPv6) require a longer message interval to be configured.

Skew Time

The skew time is used to add a time period to the master down interval. This is not a configurable parameter. It is derived from the current local priority of the virtual router's VRID. To calculate the skew time, the virtual router evaluates the following formula:

For IPv4: $\text{Skew Time} = ((256 - \text{priority}) / 256) \text{ seconds}$

For IPv6: $\text{Skew Time} = (((256 - \text{priority}) * \text{Master_Adver_Interval}) / 256) \text{ centiseconds}$

The higher priority value, the smaller the skew time will be. This means that virtual routers with a lower priority will transition to master slower than virtual routers with higher priorities.

Master Down Interval

The master down interval is a calculated value used to load the master down timer. When the master down timer expires, the virtual router enters the master state. To calculate the master down interval, the virtual router evaluates the following formula:

$$\text{Master Down Interval} = (3 \times \text{Operational Advertisement Interval}) + \text{Skew Time}$$

The operational advertisement interval is dependent upon the state of the inherit parameter. When the inherit parameter is enabled, the operational advertisement interval is derived from the current master's advertisement interval field in the VRRP advertisement message. When inherit is disabled, the operational advertisement interval must be equal to the locally configured advertisement interval.

The master down timer is only operational when the local virtual router is operating in backup mode.

Preempt Mode

Preempt mode is a true or false configured value which controls whether a specific backup virtual router preempts a lower priority master. The IP address owner will always become master when available. Preempt mode cannot be set to false on the owner virtual router. The default value for preempt mode is true.

When preempt mode is true, the advertised priority from the incoming VRRP advertisement message from the current master is compared to the local configured priority. If the local priority is higher, the received VRRP advertisement message is discarded. This will result in the eventual expiration of the master down timer causing a transition to the master state. If the received priority is equal to the local priority, the message is not discarded and the current master will not be discarded. Note that when in the backup state, the received primary IP address is not part of the decision to preempt and is not used as a tie breaker when the received and local priorities are equal.

When preempt is enabled, the virtual router instance overrides any non-owner master with an in-use message priority value less than the virtual router instance in-use priority value. If preempt is disabled, the virtual router only becomes master if the master down timer expires before a VRRP advertisement message is received from another virtual router.

VRRP Message Authentication

The authentication type parameter defines the type of authentication used by the virtual router in VRRP advertisement message authentication. VRRP message authentication is applicable to IPv4 only. The current master uses the configured authentication type to indicate any egress message manipulation that must be performed in conjunction with any supporting authentication parameters before transmitting a VRRP advertisement message. The configured authentication type value is transmitted in the message authentication type field with the appropriate authentication data field filled in. Backup routers use the authentication type message field value in interpreting the contained authentication data field within received VRRP advertisement messages.

VRRP supports three message authentication methods which provide varying degrees of security. The supported authentication types are:

- 0 – No Authentication
- 1 – Simple Text Password
- 2 – IP Authentication Header

Authentication Type 0 – No Authentication

The use of type 0 indicates that VRRP advertisement messages are not authenticated (provides no authentication). The master transmitting VRRP advertisement messages will transmit the value 0 in the egress messages authentication type field and the authentication data field. Backup virtual routers receiving VRRP advertisement messages with the authentication type field equal to 0 will ignore the authentication data field in the message.

All compliant VRRP advertisement messages are accepted. The following fields within the received VRRP advertisement message are checked for compliance (the VRRP specification may require additional checks).

- IP header checks specific to VRRP
 - IP header destination IP address – Must be 224.0.0.18
 - IP header TTL field – Must be equal to 255, the packet must not have traversed any IP routed hops
 - IP header protocol field – must be 112 (decimal)

- VRRP message checks
 - Version field – Must be set to the value 2
 - Type field – Must be set to the value of 1 (advertisement)
 - Virtual router ID field – Must match one of the configured VRID on the ingress IP interface (All other fields are dependent on matching the virtual router ID field to one of the interfaces configured VRID parameters)
 - Priority field – Must be equal to or greater than the VRID in-use priority or be equal to 0 (Note, equal to the VRID in-use priority and 0 requires further processing regarding master/backup and senders IP address to determine validity of the message)
 - Authentication type field – Must be equal to 0
 - Advertisement interval field – Must be equal to the VRID configured advertisement interval
 - Checksum field – Must be valid
 - Authentication data fields – Must be ignored.

VRRP messages not meeting the criteria are silently dropped.

Authentication Type 1 – Simple Text Password

The use of type 1 indicates that VRRP advertisement messages are authenticated with a clear (simple) text password. All virtual routers participating in the virtual router instance must be configured with the same 8 octet password. Transmitting virtual routers place a value of 1 in the VRRP advertisement message authentication type field and put the configured simple text password into the message authentication data field. Receiving virtual routers compare the message authentication data field with the local configured simple text password based on the message authentication type field value of 1.

The same checks are performed for type 0 with the following exceptions (the VRRP specification may require additional checks):

- VRRP message checks
 - Authentication type field – Must be equal to 1
 - Authentication data fields – Must be equal to the VRID configured simple text password

Any VRRP message not meeting the type 0 verification checks with the exceptions above are silently discarded.

Authentication Failure

Any received VRRP advertisement message that fails authentication must be silently discarded with an invalid authentication counter incremented for the ingress virtual router instance.

Authentication Data

This feature is different than the VRRP advertisement message field with the same name. This is any required authentication information that is pertinent to the configured authentication type. The type of authentication data used for each authentication type is as follows:

<u>Authentication Type</u>	<u>Authentication Data</u>
0	None, authentication is not performed
1	Simple text password consisting of 8 octets

Virtual MAC Address

The MAC address can be used instead of an IP address in ARP responses when the virtual router instance is master. The MAC address configuration must be the same for all virtual routers participating as a virtual router or indeterminate connectivity by the attached IP hosts will result. All VRRP advertisement messages are transmitted with *ieee-mac-addr* as the source MAC.

VRRP Advertisement Message IP Address List Verification

VRRP advertisement messages contain an IP address count field that indicates the number of IP addresses listed in the sequential IP address fields at the end of the message. The 7750 SR OS implementation always logs mismatching events. The decision on where and whether to forward the generated messages depends on the configuration of the event manager.

To facilitate the sending of mismatch log messages, each virtual router instance keeps the mismatch state associated with each source IP address in the VRRP master table. Whenever the state changes, a mismatch log message is generated indicating the source IP address within the message, the mismatch or match event and the time of the event.

With secondary IP address support, multiple IP addresses may be found in the list and it should match the IP address on the virtual router instance. Owner and non-owner virtual router instances

have the supported IP addresses explicitly defined, making mismatched supported IP address within the interconnected virtual router instances a provisioning issue.

Inherit Master VRRP Router's Advertisement Interval Timer

The virtual router instance can inherit the master VRRP router's advertisement interval timer which is used by backup routers to calculate the master down timer.

The inheritance is only configurable in the non-owner nodal context. It is used to allow the current virtual router instance master to dictate the master down timer for all backup virtual routers.

IPv6 Virtual Router Instance Operationally Up

Once the IPv6 virtual router is properly configured with a minimum of one link-local backup address, the parent interface's router advertisement must be configured to use the virtual MAC address for the virtual router to be considered operationally up.

Policies

Policies can be configured to control VRRP priority with the virtual router instance. VRRP priority control policies can be used to override or adjust the base priority value depending on events or conditions within the chassis.

The policy can be associated with more than one virtual router instance. The priority events within the policy override or diminish the base priority dynamically affecting the in-use priority. As priority events clear in the policy, the in-use priority can eventually be restored to the base priority value.

Policies can only be configured in the non-owner VRRP context. For non-owner virtual router instances, if policies are not configured, then the base priority is used as the in-use priority.

VRRP Priority Control Policies

This implementation of VRRP supports control policies to manipulate virtual router participation in the VRRP master election process and master self-deprecation. The local priority value for the virtual router instance is used to control the election process and master state.

VRRP Virtual Router Policy Constraints

Priority control policies can only be applied to non-owner VRRP virtual router instances. Owner VRRP virtual routers cannot be controlled by a priority control policy because they are required to have a priority value of 255 that cannot be diminished. Only one VRRP priority control policy can be applied to a non-owner virtual router instance.

Multiple VRRP virtual router instances may be associated with the same IP interface, allowing multiple priority control policies to be associated with the IP interface.

An applied VRRP priority control policy only affects the in-use priority on the virtual router instance when the preempt mode has been enabled. A virtual router instance with preempt mode disabled will always use the base priority as the in-use priority, ignoring any configured priority control policy.

VRRP Virtual Router Instance Base Priority

Non-owner virtual router instances must have a base priority value between 1 and 254. The value 0 is reserved for master termination. The value 255 is reserved for owners. The default base priority for non-owner virtual router instances is the value 100.

The base priority is the starting priority for the VRRP instance. The actual in-use priority for the VRRP instance is derived from the base priority and an optional VRRP priority control policy.

VRRP Priority Control Policy Delta In-Use Priority Limit

A VRRP priority control policy enforces an overall minimum value that the policy can inflict on the VRRP virtual router instance base priority. This value provides a lower limit to the delta priority events manipulation of the base priority.

A delta priority event is a conditional event defined in the priority control policy that subtracts a given amount from the current, in-use priority for all VRRP virtual router instances to which the policy is applied. Multiple delta priority events can apply simultaneously, creating a dynamic priority value. The base priority for the instance, less the sum of the delta values derives the actual priority value in-use.

An explicit priority event is a conditional event defined in the priority control policy that explicitly defines the in-use priority for the virtual router instance. The explicitly defined values are not affected by the delta in-use priority limit. When multiple explicit priority events happen simultaneously, the lowest value is used for the in-use priority. The configured base priority is not a factor in explicit priority overrides of the in-use priority.

The allowed range of the Delta In-Use Priority Limit is 1 to 254. The default is 1, which prevents the delta priority events from operationally disabling the virtual router instance.

VRRP Priority Control Policy Priority Events

The main function of a VRRP priority control policy is to define conditions or events that impact the system's ability to communicate with outside hosts or portions of the network. When one or multiple of these events are true, the base priority on the virtual router instance is either overwritten with an explicit value, or a sum of delta priorities is subtracted from the base priority. The result is the in-use priority for the virtual router instance. Any priority event may be configured as an explicit event or a delta event.

Explicit events override all delta events. When multiple explicit events occur, the event with the lowest priority value is assigned to the in-use priority. As events clear, the in-use priority is reevaluated accordingly and adjusted dynamically.

Delta priority events also have priority values. When no explicit events have occurred within the policy, the sum of the occurring delta events priorities is subtracted from the base priority of each virtual router instance. If the result is lower than the delta in-use priority limit, the delta in-use priority limit is used as the in-use priority for the virtual router instance. Otherwise, the in-use priority is set to the base priority less the sum of the delta events.

Each event generates a VRRP priority event message indicating the policy-id, the event type, the priority type (delta or explicit) and the event priority value. Another log message is generated when the event is no longer true, indicating that it has been cleared.

Priority Event Hold-Set Timers

Hold-set timers are used to dampen the effect of a flapping event. A flapping event is where the event continually transitions between clear and set. The hold-set value is loaded into a hold set timer that prevents a set event from transitioning to the cleared state until it expires.

Each time an event transitions between cleared and set, the timer is loaded and begins to count down to zero. If the timer reaches zero, the event will be allowed to enter the cleared state once more. Entering the cleared state is always dependent on the object controlling the event conforming to the requirements defined in the event itself. It is possible, on some event types, to have a further set action reload the hold set timer. This extends the amount of time that must expire before entering the cleared state.

For an example of a hold-set timer setting, refer to [LAG Degrade Priority Event on page 249](#).

Port Down Priority Event

The port down priority event is tied to either a physical port or a SONET/SDH channel. The port or channel operational state is evaluated to determine a port down priority event or event clear.

When the port or channel operational state is up, the port down priority event is considered false or cleared. When the port or channel operational state is down, the port down priority event is considered true or set.

LAG Degraded Priority Event

The LAG degraded priority event is tied to an existing Link Aggregation Group (LAG). The LAG degraded priority event is conditional to percentage of available port bandwidth on the LAG. Multiple bandwidth percentage thresholds may be defined, each with its own priority value.

If the LAG transitions from one threshold to the next, the previous threshold priority value is subtracted from the total delta sum while the new threshold priority value is added to the sum. The new sum is then subtracted from the base priority and compared to the delta in-use priority limit to derive the new in-use priority on the virtual router instance.

The following example illustrates a LAG priority event and its interaction with the hold set timer in changing the in-use priority.

The following state and timer settings are used for the LAG events displayed in [Table 5](#):

- User-defined thresholds: 2 ports down 4 ports down 6 ports down
- LAG configured ports: 8 ports
- Hold set timer (hold-set): 5 seconds

Table 5: LAG Events

Time	LAG Port State	Parameter	State	Comments
0	All ports down	Event State	Set - 8 ports down	
		Event Threshold	6 ports down	
		Hold Set Timer	5 seconds	Set to hold-set parameter

VRRP Priority Control Policies

Table 5: LAG Events (Continued)

Time	LAG Port State	Parameter	State	Comments
1	One port up	Event State	Set - 8 ports down	Cannot change until Hold Set Timer expires
		Event Threshold	6 ports down	
		Hold Set Timer	5 seconds	
2	All ports up	Event State	Set - 8 ports down	Still waiting for Hold Set Timer expires
		Event Threshold	6 ports down	
		Hold Set Timer	3 seconds	
5	All ports up	Event State	Cleared - All ports up	Event cleared
		Event Threshold	None	
		Hold Set Timer	Expired	
100	Five ports down	Event State	Set - 5 ports down	Set to hold-set parameter
		Event Threshold	4 ports down	
		Hold Set Timer	Expired	
102	Three ports down	Event State	Set - 5 ports down	
		Event Threshold	4 ports down	
		Hold Set Timer	3 seconds	
103	All ports up	Event State	Set - 5 ports down	
		Event Threshold	4 ports down	
		Hold Set Timer	2 second	
104	Two ports down	Event State	Set - 5 ports down	Current threshold is 5, so 2 down has no effect
		Event Threshold	4 ports down	
		Hold Set Timer	1 second	
105	Two ports down	Event State	Set - 2 ports down	
		Event Threshold	2 ports down	
		Hold Set Timer	Expired	
200	Four ports down	Event State	Set - 2 ports down	Set to hold-set parameter
		Event Threshold	4 ports down	
		Hold Set Timer	5 seconds	

Table 5: LAG Events (Continued)

Time	LAG Port State	Parameter	State	Comments
202	Seven ports down	Event State	Set - 7 ports down	Changed due to increase
		Event Threshold	6 ports down	
		Hold Set Timer	5 seconds	Set to hold-set due to threshold increase
206	All ports up	Event State	Set - 7 ports down	
		Event Threshold	6 ports down	
		Hold Set Timer	1 second	
207	All ports up	Event State	Cleared - All ports up	
		Event Threshold	None	Event cleared
		Hold Set Timer	Expired	

Host Unreachable Priority Event

The host unreachable priority event creates a continuous ping task that is used to test connectivity to a remote host. The path to the remote host and the remote host itself must be capable and configured to accept ICMP echo request and replies for the ping to be successful.

The ping task is controlled by interval and size parameters that define how often the ICMP request messages are transmitted and the size of each message. A historical missing reply parameter defines when the ping destination is considered unreachable.

When the host is unreachable, the host unreachable priority event is considered true or set. When the host is reachable, the host unreachable priority event is considered false or cleared.

Route Unknown Priority Event

The route unknown priority event defines a task that monitors the existence of a given route prefix in the system's routing table.

The route monitoring task can be constrained by a condition that allows a prefix that is less specific than the defined prefix to be considered as a match. The source protocol can be defined to indicate the protocol the installed route must be populated from. To further define match criteria when multiple instances of the route prefix exist, an optional next hop parameter can be defined.

VRRP Priority Control Policies

When a route prefix exists within the active route table that matches the defined match criteria, the route unknown priority event is considered false or cleared. When a route prefix does not exist within the active route table matching the defined criteria, the route unknown priority event is considered true or set.

VRRP Non-Owner Accessibility

Although the RFC states that only VRRP owners can respond to ping and other management-oriented protocols directed to the VRID IP addresses, 7750 SR OS allows an override of this restraint on a per VRRP virtual router instance basis.

Non-Owner Access Ping Reply

When non-owner access ping reply is enabled on a virtual router instance, ICMP echo request messages destined to the non-owner virtual router instance IP addresses are not discarded at the IP interface when operating in master mode. ICMP echo request messages are always discarded in backup mode.

When non-owner access ping reply is disabled on a virtual router instance, ICMP echo request messages destined to the non-owner virtual router instance IP addresses are silently discarded in both the master and backup modes.

Non-Owner Access Telnet

When non-owner access Telnet is enabled on a virtual router instance, authorized Telnet sessions may be established that are destined to the virtual router instance IP addresses when operating in master mode. Telnet sessions are always discarded at the IP interface when destined to a virtual router IP address operating in backup mode. Enabling non-owner access Telnet does not guarantee Telnet access, proper management and security features must be enabled to allow Telnet on this interface and possibly from the given source IP address.

When non-owner access Telnet is disabled on a virtual router instance, Telnet sessions destined to the non-owner virtual router instance IP addresses are silently discarded in both master and backup modes.

Non-Owner Access SSH

When non-owner access SSH is enabled on a virtual router instance, authorized SSH sessions may be established that are destined to the virtual router instance IP addresses when operating in master mode. SSH sessions are always discarded at the IP interface when destined to a virtual router IP address operating in backup mode. Enabling non-owner access SSH does not guarantee SSH access, proper management and security features must be enabled to allow SSH on this interface and possibly from the given source IP address. SSH is applicable to IPv4 VRRP only.

When non-owner access SSH is disabled on a virtual router instance, SSH sessions destined to the non-owner virtual router instance IP addresses are silently discarded in both master and backup modes.

VRRP Configuration Process Overview

Figure 12 displays the process to provision VRRP parameters.

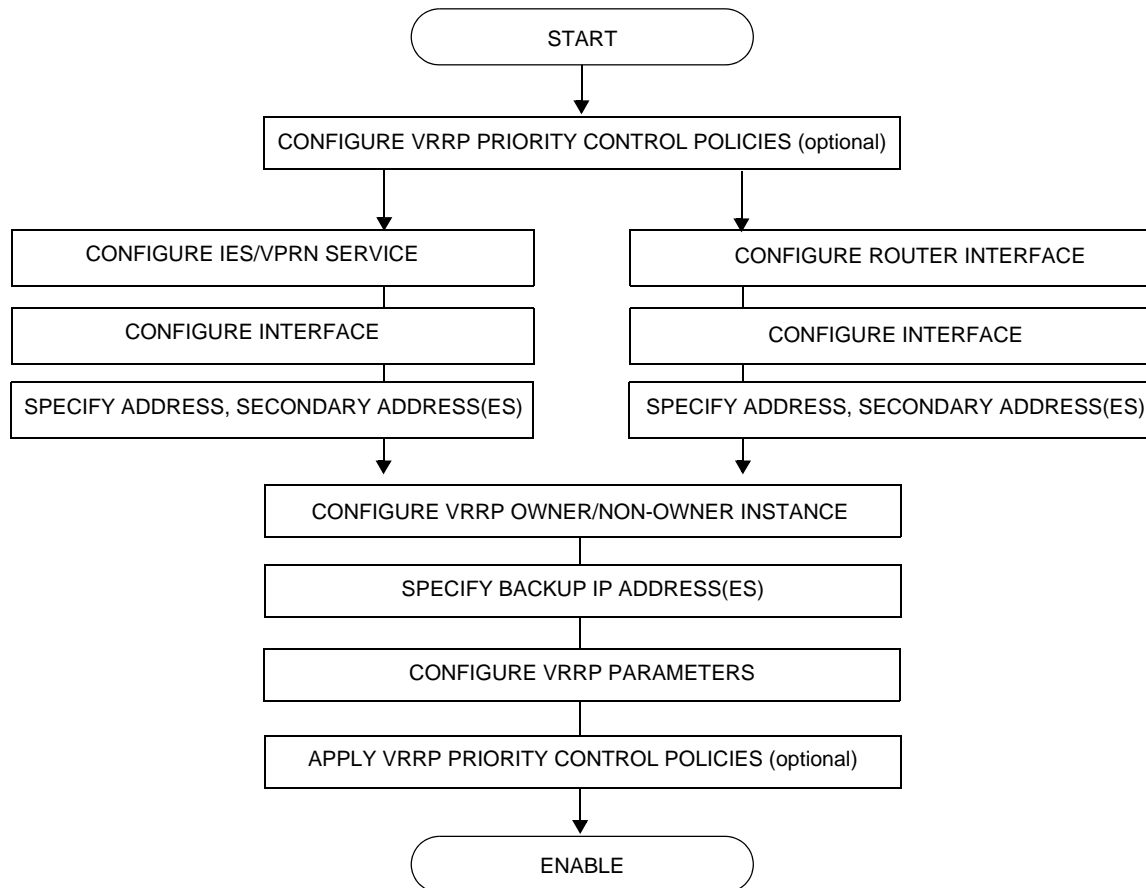


Figure 12: VRRP Configuration and Implementation Flow

Configuration Notes

This section describes VRRP configuration caveats.

General

- Creating and applying VRRP policies are optional.
- Backup command:
 - The backup IP address(es) must be on the same subnet. The backup addresses explicitly define which IP addresses are in the VRRP advertisement message IP address list.
 - In the owner mode, the backup IP address must be identical to one of the interface's IP addresses. The backup address explicitly defines which IP addresses are in the VRRP advertisement message IP address list.
 - For IPv6, one of the backup addresses configured must be the link-local address of the owner VRRP instance.

Configuring VRRP with CLI

This section provides information to configure VRRP using the command line interface.

Topics in this section include:

- [VRRP Configuration Overview on page 258](#)
- [Basic VRRP Configurations on page 259](#)
- [Common Configuration Tasks on page 263](#)
- [Configuring VRRP Policy Components on page 265](#)
- [VRRP Configuration Management Tasks on page 270](#)
- [Modifying a VRRP Policy on page 270](#)
- [Deleting a VRRP Policy on page 271](#)
- [Modifying Service and Interface VRRP Parameters on page 272](#)
 - [Modifying Non-Owner Parameters on page 272](#)
 - [Modifying Owner Parameters on page 272](#)
 - [Deleting VRRP on an Interface or Service on page 272](#)

VRRP Configuration Overview

Configuring VRRP policies and configuring VRRP instances on interfaces and router interfaces is optional. The basic owner and non-owner VRRP configurations on an IES or router interface must specify the **backup** *ip-address* parameter.

VRRP helps eliminate the single point of failure in a routed environment by using virtual router IP address shared between two or more routers connecting the common domain. VRRP provides dynamic fail over of the forwarding responsibility if the master becomes unavailable.

The VRRP implementation allows one master per IP subnet. All other VRRP instances in the same domain must be in backup mode.

Preconfiguration Requirements

VRRP policies:

- VRRP policies must be configured before they can be applied to an interface or IES or VPRN VRRP instance. VRRP policies are configured in the **config>vrrp** context.

Configuring VRRP on an IES or VPRN service interface:

- The service customer account must be created prior to configuring an IES or VPRN VRRP instance.
- The interface address must be specified in the both the owner and non-owner IES, VPRN or router interface instances.

Basic VRRP Configurations

Configure VRRP parameters in the following contexts:

- [VRRP Policy on page 259](#)
- [VRRP IES Service Parameters on page 260](#)
- [VRRP Router Interface Parameters on page 262](#)

VRRP Policy

Configuring and applying VRRP policies are optional. There are no default VRRP policies. Each policy must be explicitly defined. A VRRP configuration must include the following:

- Policy ID
- Define at least one of the following priority events:
 - Port down
 - LAG port down
 - Host unreachable
 - Route unknown

The following example displays a sample configuration of a VRRP policy.

```
A:SR2>config>vrrp>policy# info
-----
      delta-in-use-limit 50
      priority-event
        port-down 4/1/2
            hold-set 43200
            priority 100 delta
        exit
        port-down 4/1/3
            priority 200 explicit
        exit
        lag-port-down 1
            number-down 3
            priority 50 explicit
        exit
        host-unreachable 10.10.24.4
            drop-count 25
        exit
        route-unknown 10.10.0.0/32
            priority 50 delta
            protocol bgp
        exit
    exit
-----
```

VRRP IES Service Parameters

VRRP parameters are configured within an IES service with two contexts, owner or non-owner. The status is specified when the VRRP configuration is created. When configured as owner, the virtual router instance owns the backup IP addresses. All other virtual router instances participating in this message domain must have the same **vrid** configured and cannot be configured as owner.

For IPv4, up to 4 virtual routers IDs (vrid) can be configured on an IES service interface. Each virtual router instance can manage up to 16 backup IP addresses. For IPv6, only one virtual router instance can be configured on an IES service interface.

VRRP parameters configured within an IES service must include the following:

- VRID
- Backup IP address(es)

The following example displays a sample configuration of a IES service owner and non-owner VRRP configurations.

```
A:SR2>config>service>ies# info
-----
      interface "tuesday" create
        address 10.10.36.2/24
        sap 7/1/1.2.2 create
        vrrp 19 owner
          backup 10.10.36.2
          authentication-type password
          authentication-key "testabc"
        exit
      exit
      interface "testing" create
        address 10.10.10.16/24
        sap 1/1/55:0 create
        vrrp 12
          backup 10.10.10.15
          policy 1
          authentication-type password
          authentication-key "testabc"
        exit
      exit
      no shutdown
-----
A:SR2>config>service>ies#
```

Configure VRRP for IPv6

The following output shows a VRRP for IPV6 configuration example. The interface must be configured first.

```
*A:nlt7750-3>config>router>router-advert# info
-----
      interface "DSC-101-Application"
        use-virtual-mac
        no shutdown
      exit
...
-----
*A:nlt7750-3>config>router>router-advert#

*A:nlt7750-3>config>service>ies# info
-----
      description "VLAN 921 for DSC-101 Application"
      interface "DSC-101-Application" create
        address 10.152.2.220/28
        vrrp 217
          backup 10.152.2.222
          priority 254
          ping-reply
        exit
      ipv6
        address FD10:D68F:1:221::FFFD/64
        link-local-address FE80::D68F:1:221:FFFD preferred
        vrrp 219
          backup FE80::D68F:1:221:FFFF
          priority 254
          ping-reply
        exit
      exit
      sap ccag-1.a:921 create
        description "cross connect to VPLS 921"
      exit
    exit
    no shutdown
-----
*A:nlt7750-3>config>service>ies#
```

VRRP Router Interface Parameters

VRRP parameters are configured on a router interface with two contexts, owner or non-owner. The status is specified when the VRRP configuration is created. When configured as owner, the virtual router instance owns the backed up IP addresses. All other virtual router instances participating in this message domain must have the same vrid configured and cannot be configured as owner.

For IPv4, up to 4 virtual routers IDs (vrid) can be configured on a router interface. Each virtual router instance can manage up to 16 backup IP addresses. For IPv6, only one virtual router instance can be configured on a router interface.

VRRP parameters configured on a router interface must include the following:

- VRID
- Backup IP address(es)

The following example displays a sample configuration of a router interface owner and non-owner VRRP configurations.

```
A:SR4>config>router# info
#-----
echo "IP Configuration "
#-----
      interface "system"
        address 10.10.0.4/32
      exit
      interface "test1"
        address 10.10.14.1/24
        secondary 10.10.16.1/24
        secondary 10.10.17.1/24
        secondary 10.10.18.1/24
      exit
      interface "test2"
        address 10.10.10.23/24
        vrrp 1 owner
          backup 10.10.10.23
          authentication-type password
          authentication-key "testabc"
        exit
      exit
#-----
A:SR4>config>router#
```

Common Configuration Tasks

This section provides a brief overview of the tasks that must be performed to configure VRRP and provides the CLI commands.

VRRP parameters are defined under a service interface or a router interface context. An IP address must be assigned to each IP interface. Only one IP address can be associated with an IP interface but several secondary IP addresses also be associated.

Owner and non-owner configurations must include the following parameters:

- All participating routers in a VRRP instance must be configured with the same *vrid*.
- All participating *non-owner* routers can specify up to 16 backup IP addresses (IP addresses the master is representing). The *owner* configuration must include at least one backup IP address.
- For IPv6, all participating routers must be configured with the same link-local backup address (the one configured for the owner instance.)

Other owner and non-owner configurations include the following optional commands:

- `authentication-type`
- `authentication-key`
- `MAC`
- `message-interval`

In addition to the common parameters, the following *non-owner* commands can be configured:

- `master-int-inherit`
- `priority`
- `policy`
- `ping-reply`
- `preempt`
- `telnet-reply`
- `ssh-reply (IPv4 only)`
- `[no] shutdown`

Creating Interface Parameters

If you have multiple subnets configured on an Ethernet interface, you can configure VRRP on each subnet.

The following displays an IP interface configuration example:

```
A:SR1>config>router# info
#-----
echo "IP Configuration "
#-----
      interface "system"
          address 10.10.0.1/32
      exit
      interface "testA"
          address 123.123.123.123/24
      exit
      interface "testB"
          address 10.10.14.1/24
          secondary 10.10.16.1/24
          secondary 10.10.17.1/24
          secondary 10.10.18.1/24
      exit
      router-id 10.10.0.1
#-----
A:SR1>config>router#
```


Configuring VRRP Policy Components

The following displays a VRRP policy configuration example:

```
A:SR1>config>vrrp# info
-----
    policy 1
      delta-in-use-limit 50
      priority-event
      port-down 1/1/2
        hold-set 43200
        priority 100 delta
      exit
      route-unknown 0.0.0.0/0
        protocol isis
      exit
    exit
  exit
-----
A:SR1>config>vrrp#
```

Configuring Service VRRP Parameters

VRRP parameters can be configured on an interface in a service to provide virtual default router support which allows traffic to be routed without relying on a single router in case of failure. VRRP can be configured the following ways:

- [Non-Owner VRRP Example on page 266](#)
 - [Owner Service VRRP on page 267](#)
-

Non-Owner VRRP Example

The following displays a basic non-owner VRRP configuration example:

```
A:SR2>config>service>ies# info
-----
...
    interface "testing" create
      address 10.10.10.16/24
      sap 1/1/55:0 create
      vrrp 12
        backup 10.10.10.15
        policy 1
        authentication-type password
        authentication-key "testabc"
      exit
    exit
  no shutdown
-----
A:SR2>config>service>ies#
```

Owner Service VRRP

The following displays the owner VRRP configuration example:

```
A:SR4>config>router# info
#-----
echo "IP Configuration "
#-----
...
    interface "test2"
      address 10.10.10.23/24
      vrrp 1 owner
        backup 10.10.10.23
        authentication-type password
        authentication-key "testabc"
      exit
    exit
#-----
A:SR4>config>router#
```

Configuring Router Interface VRRP Parameters

VRRP parameters can be configured on an interface in an interface to provide virtual default router support which allows traffic to be routed without relying on a single router in case of failure.

VRRP can be configured the following ways:

- [Router Interface VRRP Non-Owner on page 268](#)

Router Interface VRRP Non-Owner

The following displays a non-owner interface VRRP configuration example:

```
A:SR2>config># info
#-----
    interface "if-test"
      address 10.20.30.40/24
      secondary 10.10.50.1/24
      secondary 10.10.60.1/24
      secondary 10.10.70.1/24
      vrrp 1
        backup 10.10.50.2
        backup 10.10.60.2
        backup 10.10.70.2
        backup 10.20.30.41
        ping-reply
        telnet-reply
        authentication-type password
        authentication-key "testabc"
      exit
    exit
#-----
A:SR2>config>#
```

Router Interface VRRP Owner

The following displays router interface owner VRRP configuration example:

```
A:SR2>config>router# info
#-----
    interface "vrrpowner"
        address 10.10.10.23/24
        vrrp 1 owner
            backup 10.10.10.23
            authentication-type password
            authentication-key "testabc"
        exit
    exit
#-----
A:SR2>config>router#
```

VRRP Configuration Management Tasks

This section discusses the following VRRP configuration management tasks:

- [Modifying a VRRP Policy on page 270](#)
 - [Deleting a VRRP Policy on page 271](#)
 - [Modifying Service and Interface VRRP Parameters on page 272](#)
 - [Modifying Non-Owner Parameters on page 272](#)
 - [Modifying Owner Parameters on page 272](#)
 - [Deleting VRRP on an Interface or Service on page 272](#)
-

Modifying a VRRP Policy

To access a specific VRRP policy, you must specify the policy ID. To display a list of VRRP policies, use the `show vrrp policy` command.

The following example displays the modified VRRP policy configuration:

```
A:SR2>config>vrrp>policy# info
-----
      delta-in-use-limit 50
      priority-event
        port-down 1/1/2
          hold-set 43200
          priority 100 delta
        exit
      port-down 1/1/3
        priority 200 explicit
      exit
      host-unreachable 10.10.24.4
        drop-count 25
      exit
    exit
-----
A:SR2>config>vrrp>policy#
```

Deleting a VRRP Policy

Policies are only applied to non-owner VRRP instances. A VRRP policy cannot be deleted if it is applied to an interface or to an IES service. Each instance in which the policy is applied must be deleted.

The `Applied` column in the following example displays whether or not the VRRP policies are applied to an entity.

```
A:SR2#
=====
VRRP Policies
=====
Policy      Current      Current      Current      Delta      Applied
Id          Priority & Effect  Explicit    Delta Sum    Limit
-----
1           200 Explicit      200          100          50          Yes
15          254             None         None         1            No
32          100             None         None         1            No
=====
A:SR2#
```

Modifying Service and Interface VRRP Parameters

Modifying Non-Owner Parameters

Once a VRRP instance is created as non-owner, it cannot be modified to the `owner` state. The `vrid` must be deleted and then recreated with the `owner` keyword to invoke IP address ownership.

Modifying Owner Parameters

Once a VRRP instance is created as `owner`, it cannot be modified to the non-owner state. The `vrid` must be deleted and then recreated *without* the `owner` keyword to remove IP address ownership.

Entering the `owner` keyword is optional when entering the `vrid` for modification purposes.

Deleting VRRP on an Interface or Service

The `vrid` does not need to be shutdown to remove the virtual router instance from an interface or service.

Example:

```
config>router#interface
config>router# interface if-test
config>router>if# shutdown
config>router>if# exit
config>router# no interface if-test
config>router#
```

The following example displays the command usage to delete a VRRP instance from an interface or IES service:

Example:

```
config>service#ies 10
config>service>ies# interface "test"
config>service>ies>if# vrrp 1
config>service>ies>if>vrrp# shutdown
config>service>ies>if>vrrp# exit
config>service>ies>if# no vrrp 1
config>service>ies>if# exit all
```

VRRP Command Reference

Command Hierarchies

Configuration Commands

- [VRRP Network Interface Commands on page 274](#)
- [Router Interface IPv6 Commands on page 275](#)
- [Router Interface IPv6 VRRP Commands on page 276](#)
- [VRRP Priority Control Event Policy Commands on page 277](#)
- [Show Commands on page 278](#)
- [Clear Commands on page 278](#)

VRRP Network Interface Commands

```

config
  — router
    — [no] interface interface-name
      — address {ip-address/mask | ip-address netmask} [broadcast all-ones | host-ones]
      — no address
      — [no] allow-directed-broadcasts
      — arp-timeout seconds
      — no arp-timeout
      — description description-string
      — no description
      — secondary {ip-address/mask | ip-address netmask} [broadcast all-ones | host-ones] [igp-inhibit]
      — no secondary {ip-address/mask | ip-address netmask}
      — [no] shutdown
      — static-arp ip-address ieee-address
      — [no] static-arp ip-address
      — tos-marking-state {trusted | untrusted}
      — no tos-marking-state
      — unnumbered [ip-int-name | ip-address]
      — no unnumbered
      — vrrp virtual-router-id [owner] *
      — no vrrp virtual-router-id
        — authentication-key [authentication-key | hash-key] [hash | hash2]
        — no authentication-key
        — [no] backup ip-address
        — [no] bfd-enable service-id interface interface-name dst-ip ip-address
        — [no] bfd-enable interface interface-name dst-ip ip-address
        — init-delay seconds
        — no init-delay
        — mac mac-address
        — no mac
        — [no] master-int-inherit
        — message-interval {[seconds] [milliseconds milliseconds]}
        — no message-interval
        — [no] ping-reply
        — policy policy-id
        — no policy
        — [no] preempt
        — priority priority
        — no priority
        — [no] ssh-reply
        — [no] standby-forwarding
        — [no] telnet-reply
        — [no] shutdown
        — [no] traceroute-reply

```

* Note that VRRP commands are applicable to router interfaces, IES interfaces and VPRN. The **authentication-key**, **authentication-type**, **bfd-enable**, and **ssh-reply** commands are applicable only to IPv4 contexts, not IPv6.

Router Interface IPv6 Commands

```

config
  — router [router-name]
    — [no] interface ip-int-name
      — [no] ipv6
        — address ipv6-address/prefix-length [eui-64]
        — no address ipv6-address/prefix-length
        — icmp6
          — packet-too-big [number seconds]
          — no packet-too-big
          — param-problem [number seconds]
          — no param-problem
          — redirects [number seconds]
          — no redirects
          — time-exceeded [number seconds]
          — no time-exceeded
          — unreachables [number seconds]
          — no unreachables
        — link-local-address ipv6-address [preferred]
        — no link-local-address
        — [no] local-proxy-nd
        — neighbor ipv6-address [mac-address]
        — no neighbor ipv6-address
        — proxy-nd-policy policy-name [policy-name...(up to 5 max)]
        — no proxy-nd-policy

```

Router Interface IPv6 VRRP Commands

- config**
- **router** *[router-name]*
- [no] **interface** *ip-int-name*
- [no] **ipv6**
- **vrrp** *virtual-router-id* [**owner**]
- **no vrrp** *virtual-router-id*
- [no] **backup** *ipv6-address*
- [no] **bfd-enable** *service-id* **interface** *interface-name* **dst-ip** *ip-address*
- [no] **bfd-enable** **interface** *interface-name* **dst-ip** *ip-address*
- **init-delay** *seconds*
- **no init-delay**
- **mac** *mac-address*
- **no mac**
- [no] **master-int-inherit**
- **message-interval** {[*seconds*] [**milliseconds** *milliseconds*]}
- **no message-interval**
- [no] **ping-reply**
- **policy** *vrrp-policy-id*
- **no policy**
- [no] **preempt**
- **priority** *priority*
- **no priority**
- [no] **shutdown**
- [no] **standby-forwarding**
- [no] **telnet-reply**
- [no] **traceroute-reply**

VRRP Priority Control Event Policy Commands

```

config
  — vrrp
    — [no] policy policy-id [context service-id]
      — delta-in-use-limit limit
      — no delta-in-use-limit
      — description description string
      — no description
      — [no] priority-event
        — [no] host-unreachable ip-address
          — drop-count consecutive-failures
          — no drop-count
          — hold-clear seconds
          — no hold-clear
          — hold-set seconds
          — no hold-set
          — interval seconds
          — no interval
          — priority priority-level [{delta | explicit}]
          — no priority
          — timeout seconds
          — no timeout
        — [no] lag-port-down lag-id
          — hold-clear seconds
          — no hold-clear
          — hold-set seconds
          — no hold-set
          — [no] number-down number-of-lag-ports-down
            — priority priority-level [delta | explicit]
            — no priority
        — [no] port-down port-id
          — hold-clear seconds
          — no hold-clear
          — hold-set seconds
          — no hold-set
          — priority priority-level [delta | explicit]
          — no priority
        — [no] route-unknown ip-prefix/mask
          — hold-clear seconds
          — no hold-clear
          — hold-set seconds
          — no hold-set
          — less-specific [allow-default]
          — no less-specific
          — [no] next-hop ip-address
          — priority priority-level [delta | explicit]
          — no priority
          — protocol protocol
          — no protocol[protocol]
          — [no] protocol bgp
          — [no] protocol bgp -vpn
          — [no] protocol ospf

```

- [no] **protocol** isis
- [no] **protocol** rip
- [no] **protocol** static

Show Commands

- ```

show
 — vrrp
 — policy [policy-id [event event-type specific-qualifier]]
 — router
 — vrrp
 — instance
 — instance [interface interface-name [vrid virtual-router-id]]
 — instance interface interface-name vrid virtual-router-id ipv6
 — statistics

```

## Monitor Commands

- ```

monitor
  — router
     — vrrp
        — instance interface interface-name vr-id virtual-router-id [ipv6] [interval seconds] [repeat repeat] [absolute | rate]
    
```

Clear Commands

- ```

clear
 — vrrp
 — statistics
 — router
 — vrrp
 — interface ip-int-name [vrid virtual-router-id]
 — interface ip-int-name vrid virtual-router-id ipv6
 — statistics interface interface-name [vrid virtual-router-id]
 — statistics
 — statistics interface interface-name vrid virtual-router-id ipv6

```

## Debug Commands

```
debug
 — router
 — vrrp
 — events
 — events interface ip-int-name [vrid virtual-router-id]
 — events interface ip-int-name vrid virtual-router-id ipv6
 — no events
 — no events interface ip-int-name [vrid virtual-router-id]
 — no events interface ip-int-name vrid virtual-router-id ipv6
 — packets
 — packets interface ip-int-name [vrid virtual-router-id]
 — packets interface ip-int-name vrid virtual-router-id ipv6
 — no packets
 — no packets interface ip-int-name [vrid virtual-router-id]
 — no packets interface ip-int-name vrid virtual-router-id ipv6
```





---

## Configuration Commands

---

### Interface Configuration Commands

---

#### authentication-key

|                    |                                                                                                                                                                                                                                                                                                                                                                                                                                                                                                                                                                                                                                                                                                                                                                                                                                                                                                                                                                                                                                                                                                                                                                                                                                                                                                                                                                                                                                                                                                                                                                                                                                                                                                                                                                                                                                                                                                                                                                     |
|--------------------|---------------------------------------------------------------------------------------------------------------------------------------------------------------------------------------------------------------------------------------------------------------------------------------------------------------------------------------------------------------------------------------------------------------------------------------------------------------------------------------------------------------------------------------------------------------------------------------------------------------------------------------------------------------------------------------------------------------------------------------------------------------------------------------------------------------------------------------------------------------------------------------------------------------------------------------------------------------------------------------------------------------------------------------------------------------------------------------------------------------------------------------------------------------------------------------------------------------------------------------------------------------------------------------------------------------------------------------------------------------------------------------------------------------------------------------------------------------------------------------------------------------------------------------------------------------------------------------------------------------------------------------------------------------------------------------------------------------------------------------------------------------------------------------------------------------------------------------------------------------------------------------------------------------------------------------------------------------------|
| <b>Syntax</b>      | <b>authentication-key</b> [ <i>authentication-key</i>   <i>hash-key</i> ] [ <b>hash</b>   <b>hash2</b> ]<br><b>no authentication-key</b>                                                                                                                                                                                                                                                                                                                                                                                                                                                                                                                                                                                                                                                                                                                                                                                                                                                                                                                                                                                                                                                                                                                                                                                                                                                                                                                                                                                                                                                                                                                                                                                                                                                                                                                                                                                                                            |
| <b>Context</b>     | config>router>if>vrrp                                                                                                                                                                                                                                                                                                                                                                                                                                                                                                                                                                                                                                                                                                                                                                                                                                                                                                                                                                                                                                                                                                                                                                                                                                                                                                                                                                                                                                                                                                                                                                                                                                                                                                                                                                                                                                                                                                                                               |
| <b>Description</b> | <p>This command sets the simple text authentication key used to generate master VRRP advertisement messages and validates VRRP advertisements.</p> <p>If simple text password authentication is not required, the <b>authentication-key</b> command is not required.</p> <p>The command is configurable in both non-owner and owner <b>vrrp</b> nodal contexts.</p> <p>The <i>key</i> parameter identifies the simple text password to be used when VRRP Authentication Type 1 is enabled on the virtual router instance. Type 1 uses an eight octet long string that is inserted into all transmitted VRRP advertisement messages and is compared against all received VRRP advertisement messages. The authentication data fields are used to transmit the <i>key</i>.</p> <p>The <i>key</i> string is case sensitive and is left justified in the VRRP advertisement message authentication data fields. The first field contains the first four characters with the first octet (starting with IETF RFC bit position 0) containing the first character. The second field similarly holds the fifth through eighth characters. Any unspecified portion of the authentication data field is padded with a 0 value in the corresponding octet.</p> <p>If the command is re-executed with a different password key defined, the new key is used ediatly.</p> <p>The <b>authentication-key</b> command can be executed at anytime.</p> <p>To change the current in-use password key on multiple virtual router instances:</p> <ol style="list-style-type: none"> <li>1. Identify the current master.</li> <li>2. Shutdown the virtual router instance on all backups.</li> <li>3. Execute the <b>authentication-key</b> command on the master to change the password key.</li> <li>4. Execute the <b>authentication-key</b> command and <b>no shutdown</b> command on each backup.</li> </ol> <p>The <b>no</b> form of the command reverts to the default value.</p> |
| <b>Default</b>     | no authentication-key — The authentication key value is the null string.                                                                                                                                                                                                                                                                                                                                                                                                                                                                                                                                                                                                                                                                                                                                                                                                                                                                                                                                                                                                                                                                                                                                                                                                                                                                                                                                                                                                                                                                                                                                                                                                                                                                                                                                                                                                                                                                                            |
| <b>Parameters</b>  | <i>authentication-key</i> — The authentication key. Allowed values are any string up to 8 characters long composed of printable, 7-bit ASCII characters. If the string contains special characters (#, \$, spaces, etc.), the entire string must be enclosed within double quotes.                                                                                                                                                                                                                                                                                                                                                                                                                                                                                                                                                                                                                                                                                                                                                                                                                                                                                                                                                                                                                                                                                                                                                                                                                                                                                                                                                                                                                                                                                                                                                                                                                                                                                  |

*hash-key* — The hash key. The key can be any combination of ASCII characters up to 22 (*hash-key1*) or 121 (*hash-key2*) characters in length (encrypted). If spaces are used in the string, enclose the entire string in quotation marks (“ ”).

This is useful when a user must configure the parameter, but for security purposes, the actual unencrypted key value is not provided.

**hash** — Specifies the key is entered in an encrypted form. If the **hash** parameter is not used, the key is assumed to be in a non-encrypted, clear text form. For security, all keys are stored in encrypted form in the configuration file with the **hash** parameter specified.

**hash2** — Specifies the key is entered in a more complex encrypted form. If the **hash2** parameter is not used, the less encrypted **hash** form is assumed.

## backup

|                    |                                                                                                                                                                                                                                                                                                                                                                                                                                                                                                                                                                                                                                                                                                                                                                                                                                                                                                                                                                                                                                                                                                                                                                                                                                                                                                                                                                                                                                                                                                                                                                                                                                                                                                                                                                                                                                                                                                                                                                                                                                                                                                                                                                                                                                                                                                                                                                                                                                                                                                                                                                                                                                                                                                                                                      |
|--------------------|------------------------------------------------------------------------------------------------------------------------------------------------------------------------------------------------------------------------------------------------------------------------------------------------------------------------------------------------------------------------------------------------------------------------------------------------------------------------------------------------------------------------------------------------------------------------------------------------------------------------------------------------------------------------------------------------------------------------------------------------------------------------------------------------------------------------------------------------------------------------------------------------------------------------------------------------------------------------------------------------------------------------------------------------------------------------------------------------------------------------------------------------------------------------------------------------------------------------------------------------------------------------------------------------------------------------------------------------------------------------------------------------------------------------------------------------------------------------------------------------------------------------------------------------------------------------------------------------------------------------------------------------------------------------------------------------------------------------------------------------------------------------------------------------------------------------------------------------------------------------------------------------------------------------------------------------------------------------------------------------------------------------------------------------------------------------------------------------------------------------------------------------------------------------------------------------------------------------------------------------------------------------------------------------------------------------------------------------------------------------------------------------------------------------------------------------------------------------------------------------------------------------------------------------------------------------------------------------------------------------------------------------------------------------------------------------------------------------------------------------------|
| <b>Syntax</b>      | <b>[no] backup</b> <i>ip-address</i>                                                                                                                                                                                                                                                                                                                                                                                                                                                                                                                                                                                                                                                                                                                                                                                                                                                                                                                                                                                                                                                                                                                                                                                                                                                                                                                                                                                                                                                                                                                                                                                                                                                                                                                                                                                                                                                                                                                                                                                                                                                                                                                                                                                                                                                                                                                                                                                                                                                                                                                                                                                                                                                                                                                 |
| <b>Context</b>     | config>router>if>vrrp                                                                                                                                                                                                                                                                                                                                                                                                                                                                                                                                                                                                                                                                                                                                                                                                                                                                                                                                                                                                                                                                                                                                                                                                                                                                                                                                                                                                                                                                                                                                                                                                                                                                                                                                                                                                                                                                                                                                                                                                                                                                                                                                                                                                                                                                                                                                                                                                                                                                                                                                                                                                                                                                                                                                |
| <b>Description</b> | <p>This command associates router IP addresses with the parental IP interface IP addresses.</p> <p>The <b>backup</b> command has two distinct functions when used in an <b>owner</b> or a <b>non-owner</b> context of the virtual router instance.</p> <p>Non-owner virtual router instances actually create a routable IP interface address that is operationally dependent on the virtual router instance mode (master or backup). The <b>backup</b> command in <b>owner</b> virtual router instances does not create a routable IP interface address; it simply defines the existing parental IP interface IP addresses that are advertised by the virtual router instance.</p> <p>For <b>owner</b> virtual router instances, the <b>backup</b> command defines the IP addresses that are advertised within VRRP advertisement messages. This communicates the IP addresses that the master is representing to backup virtual routers receiving the messages. Advertising a correct list is important. The specified <i>ip-addr</i> must be equal to one of the existing parental IP interface IP addresses (primary or secondary) or the <b>backup</b> command will fail.</p> <p>For non-owner virtual router instances, the <b>backup</b> command actually creates an IP interface IP address used for routing IP packets and communicating with the system when the access commands are defined (<b>ping-reply</b>, <b>telnet-reply</b>, and <b>ssh-reply</b>). The specified <i>ip-addr</i> must be an IP address that is within one of the parental IP interface local subnets created with the <b>address</b> or <b>secondary</b> commands. If a local subnet does not exist that includes the specified <i>ip-addr</i> or if <i>ip-addr</i> is the same IP address as the parental IP interface IP address, the <b>backup</b> command will fail.</p> <p>The new interface IP address created with the <b>backup</b> command assumes the mask and parameters of the corresponding parent IP interface IP address. The <i>ip-addr</i> is only active when the virtual router instance is operating in the master state. When not operating as master, the virtual router instance acts as if it is operationally down. It will not respond to ARP requests to <i>ip-addr</i>, nor will it route packets received with its <i>vrid</i> derived source MAC address. A non-master virtual router instance always silently discards packets destined to <i>ip-addr</i>. A single virtual router instance may only have a single virtual router IP address from a given parental local subnet. Multiple virtual router instances can define a virtual router IP address from the same local subnet as long as each is a different IP address.</p> |

In IPv4, up to sixteen **backup** *ip-addr* commands can be executed within the same virtual router instance. Executing **backup** multiple times with the same *ip-addr* results in no operation performed and no error generated. At least one successful **backup** *ip-addr* command must be executed before the virtual router instance can enter the operational state.

When operating as (non-owner) master, the default functionality associated with *ip-addr* is ARP response to ARP requests to *ip-addr*, routing of packets destined to the virtual router instance source MAC address and silently discarding packets destined to *ip-addr*. Enabling the non-owner-access parameters selectively allows ping, Telnet and SSH connectivity to *ip-addr* when the virtual router instance is operating as master.

The **no** form of the command removes the specified virtual router IP address from the virtual router instance. For non-owner virtual router instances, this causes all routing and local access associated with the *ip-addr* to cease. For **owner** virtual router instances, the **no backup** command only removes *ip-addr* from the list of advertised IP addresses. If the last *ip-addr* is removed from the virtual router instance, the virtual router instance will enter the operationally down state

### Special Cases

**Assigning the Virtual Router ID IP Address** — Once the *vrid* is created on the parent IP interface, IP addresses need to be assigned to the virtual router instance. If the *vrid* was created with the keyword **owner**, the virtual router instance IP addresses must have one or more of the parent IP interface defined IP addresses (primary and secondary). For non-owner virtual router instances, the virtual router IP addresses each must be within one of the parental IP interface IP address defined local subnets. For both **owner** and non-owner virtual router instances, the virtual router IP addresses must be explicitly defined using the **backup** *ip-addr* command.

**Virtual Router Instance IP Address Assignment Conditions** — The RFC does not specify that the assigned IP addresses to the virtual router instance must be in the same subnet as the parent IP interface primary IP address or secondary IP addresses. The only requirement is that all virtual routers participating in the same virtual router instance have the same virtual router IP addresses assigned. To avoid confusion, the assigned virtual router IP addresses must be in a local subnet of one of the parent IP interfaces IP addresses. For **owner** virtual router instances the assigned virtual router IP address must be the same as one of the parental interface primary or secondary IP addresses.

The following rules apply when adding, changing, or removing parental and virtual router IP addresses:

**Owner Virtual Router IP Address Parental Association** — When an IP address is assigned to an **owner** virtual router instance, it must be associated with one of the parental IP interface-assigned IP addresses. The virtual router IP address must be equal to the primary or one of the secondary IP addresses within the parental IP interface.

### Example - Owner Virtual Router Instance

|                              |                |                                                    |
|------------------------------|----------------|----------------------------------------------------|
| Parent IP addresses:         | 10.10.10.10/24 |                                                    |
|                              | 11.11.11.11/24 |                                                    |
| Virtual router IP addresses: | 10.10.10.11    | Invalid (not equal to parent IP address)           |
|                              | 10.10.10.10    | Associated (same as parent IP address 10.10.10.10) |
|                              | 10.10.11.11    | Invalid (not equal to parent IP address)           |

|              |                                          |
|--------------|------------------------------------------|
| 11.11.11.254 | Invalid (not equal to parent IP address) |
| 11.11.11.255 | Invalid (not equal to parent IP address) |

**Non-Owner Virtual Router IP Address Parental Association** — When an IP address is assigned to a non-owner virtual router instance, it must be associated with one of the parental IP interface assigned IP addresses. The virtual router IP address must be a valid IP address within one of the parental IP interfaces local subnet. Local subnets are created by the primary or secondary IP addresses in conjunction with the IP addresses mask. If the defined virtual router IP address is equal to the associated subnet's broadcast address, it is invalid. Virtual router IP addresses for non-owner virtual router instances that are equal to a parental IP interface IP address are also invalid.

The same virtual router IP address may not be assigned to two separate virtual router instances. If the virtual router IP address already exists on another virtual router instance, the virtual router IP address assignment will fail.

### Example - Non-Owner Virtual Router Instance

|                              |                |                                               |
|------------------------------|----------------|-----------------------------------------------|
| Parent IP addresses:         | 10.10.10.10/24 |                                               |
|                              | 11.11.11.11/24 |                                               |
| Virtual router IP addresses: | 10.10.10.11    | Associated with 10.10.10.10 (in subnet)       |
|                              | 10.10.10.10    | Invalid (same as parent IP address)           |
|                              | 10.10.11.11    | Invalid (outside of all Parent IP subnets)    |
|                              | 11.11.11.254   | Associated with 11.11.11.11 (in subnet)       |
|                              | 11.11.11.255   | Invalid (broadcast address of 11.11.11.11/24) |

**Virtual Router IP Address Assignment without Parent IP Address** — When assigning an IP address to a virtual router instance, an associated IP address (see **Owner Virtual Router IP Address Parental Association** and **Non-Owner Virtual Router IP Address Parental Association**) on the parental IP interface must already exist. If an associated IP address on the parental IP interface is not configured, the virtual router IP address assignment fails.

**Parent Primary IP Address Changed** — When a virtual router IP address is set and the associated parent IP interface IP address is changed, the new parent IP interface IP address is evaluated to ensure it meets the association rules defined in **Owner Virtual Router IP Address Parental Association** or **Non-Owner Virtual Router IP Address Parental Association**. If the association check fails, the parental IP address change is not allowed. If the parental IP address change fails, the previously configured IP address definition remains in effect.

Only the primary parent IP address can be changed. Secondary addresses must be removed before the new IP address can be added. **Parent Primary or Secondary IP Address Removal** explains IP address removal conditions.

**Parent Primary or Secondary IP Address Removal** — When a virtual router IP address is successfully set, but removing the associated parent IP interface IP address is attempted and fails. All virtual router IP addresses associated with the parental IP interface IP address must be deleted prior

to removing the parental IP address. This includes virtual router IP address associations from multiple virtual router instances on the IP interface.

|                   |                                                                                                                                                                                                                                                                                                 |
|-------------------|-------------------------------------------------------------------------------------------------------------------------------------------------------------------------------------------------------------------------------------------------------------------------------------------------|
| <b>Default</b>    | no backup — No virtual router IP address is assigned.                                                                                                                                                                                                                                           |
| <b>Parameters</b> | <i>ip-address</i> — The virtual router IP address expressed in dotted decimal notation. The IP virtual router IP address must be in the same subnet of the parental IP interface IP address or equal to one of the primary or secondary IP addresses for <b>owner</b> virtual router instances. |
| <b>Values</b>     | 1.0.0.1 - 223.255.255.254                                                                                                                                                                                                                                                                       |

## backup

|                    |                                                                                                                                                                                                                                                                                                                                                                                                                                                                                                                                                                                                                                                                                                                                                                                                                                                                                                                                                                                                                                                                                                                                                                                                                                                                                                                                                                                                                                                                                                                                                                                                                                                                                                                                                                                                                                                                                                                                                                                                                                                                                                                                                                                                                                                                                                                                                                                                                                                                                                                                                                                                                                                                                                                                                                                                                                                                                                                                                                              |
|--------------------|------------------------------------------------------------------------------------------------------------------------------------------------------------------------------------------------------------------------------------------------------------------------------------------------------------------------------------------------------------------------------------------------------------------------------------------------------------------------------------------------------------------------------------------------------------------------------------------------------------------------------------------------------------------------------------------------------------------------------------------------------------------------------------------------------------------------------------------------------------------------------------------------------------------------------------------------------------------------------------------------------------------------------------------------------------------------------------------------------------------------------------------------------------------------------------------------------------------------------------------------------------------------------------------------------------------------------------------------------------------------------------------------------------------------------------------------------------------------------------------------------------------------------------------------------------------------------------------------------------------------------------------------------------------------------------------------------------------------------------------------------------------------------------------------------------------------------------------------------------------------------------------------------------------------------------------------------------------------------------------------------------------------------------------------------------------------------------------------------------------------------------------------------------------------------------------------------------------------------------------------------------------------------------------------------------------------------------------------------------------------------------------------------------------------------------------------------------------------------------------------------------------------------------------------------------------------------------------------------------------------------------------------------------------------------------------------------------------------------------------------------------------------------------------------------------------------------------------------------------------------------------------------------------------------------------------------------------------------------|
| <b>Syntax</b>      | config>router>if>ipv6>vrrp                                                                                                                                                                                                                                                                                                                                                                                                                                                                                                                                                                                                                                                                                                                                                                                                                                                                                                                                                                                                                                                                                                                                                                                                                                                                                                                                                                                                                                                                                                                                                                                                                                                                                                                                                                                                                                                                                                                                                                                                                                                                                                                                                                                                                                                                                                                                                                                                                                                                                                                                                                                                                                                                                                                                                                                                                                                                                                                                                   |
| <b>Description</b> | <p>This command associates router IPv6 addresses with the parental IP interface IP addresses.</p> <p>The <b>backup</b> command has two distinct functions when used in an <b>owner</b> or a <b>non-owner</b> context of the virtual router instance.</p> <p>Non-owner virtual router instances actually create a routable IP interface address that is operationally dependent on the virtual router instance mode (master or backup). The <b>backup</b> command in <b>owner</b> virtual router instances does not create a routable IP interface address; it simply defines the existing parental IP interface IP addresses that are advertised by the virtual router instance.</p> <p>For <b>owner</b> virtual router instances, the <b>backup</b> command defines the IP addresses that are advertised within VRRP advertisement messages. This communicates the IP addresses that the master is representing to backup virtual routers receiving the messages. Advertising a correct list is important. The specified <i>ipv6-addr</i> must be equal to one of the existing parental IP interface IP addresses (link-local or global) or the <b>backup</b> command will fail.</p> <p>For non-owner virtual router instances, the <b>backup</b> command actually creates an IP interface IP address used for routing IP packets and communicating with the system when the access commands are defined (<b>ping-reply</b>, <b>telnet-reply</b>, and <b>ssh-reply</b>). The specified <i>ipv6-addr</i> must be an IP address that is within one of the parental IP interface local subnets created with the <b>link-local-address</b> or <b>address</b> commands. If a local subnet does not exist that includes the specified <i>ipv6-addr</i> or if <i>ipv6-addr</i> is the same IP address as the parental IP interface IP address, the <b>backup</b> command will fail.</p> <p>The new interface IP address created with the <b>backup</b> command assumes the mask and parameters of the corresponding parent IP interface IP address. The <i>ipv6-addr</i> is only active when the virtual router instance is operating in the master state. For IPv6 VRRP, the parental interface's IP address that is in the same subnet as the backup address must be manually-configured, non EUI-64 and configured to be in the preferred state.</p> <p>When not operating as master, the virtual router instance acts as if it is operationally down. It will not respond to ARP requests to <i>ipv6-addr</i>, nor will it route packets received with its <i>vid</i> derived source MAC address. A non-master virtual router instance always silently discards packets destined to <i>ipv6-addr</i>. A single virtual router instance may only have a single virtual router IP address from a given parental local subnet. Multiple virtual router instances can define a virtual router IP address from the same local subnet as long as each is a different IP address.</p> |

Executing **backup** multiple times with the same *ipv6-addr* results in no operation performed and no error generated. At least one successful **backup** *ipv6-addr* command must be executed before the virtual router instance can enter the operational state.

When operating as (non-owner) master, the default functionality associated with *ipv6-addr* is ARP response to ARP requests to *ip-addr*, routing of packets destined to the virtual router instance source MAC address and silently discarding packets destined to *ipv6-addr*. An IPv6 virtual router instance can enter the operational state only if one of the configured backup address is a link-local address and the router advertisement of the interface is configured to use the virtual MAC address. Enabling the non-owner-access parameters selectively allows ping, Telnet and traceroute connectivity to *ipv6-addr* when the virtual router instance is operating as master.

The **no** form of the command removes the specified virtual router IP address from the virtual router instance. For non-owner virtual router instances, this causes all routing and local access associated with the *ipv6-addr* to cease. For **owner** virtual router instances, the **no backup** command only removes *ipv6-addr* from the list of advertised IP addresses. If the last *ipv6-addr* or the link-local address is removed from the virtual router instance, the virtual router instance will enter the operationally down state

### Special Cases

**Assigning the Virtual Router ID Address** — Once the *vrid* is created on the parent IP interface, IP addresses need to be assigned to the virtual router instance. If the *vrid* was created with the keyword **owner**, the virtual router instance IP addresses must have one or more of the parent IP interface defined IP addresses. For non-owner virtual router instances, the virtual router IP addresses each must be within one of the parental IP interface IP address defined local subnets. For both **owner** and non-owner virtual router instances, the virtual router IP addresses must be explicitly defined using the **backup** *ipv6-addr* command.

The following rules apply when adding, changing, or removing parental and virtual router IP addresses:

**Owner Virtual Router IP Address Parental Association** — When an IP address is assigned to an **owner** virtual router instance, it must be associated with one of the parental IP interface-assigned IP addresses.

#### Example - Owner Virtual Router Instance

|                              |                |                                                    |
|------------------------------|----------------|----------------------------------------------------|
| Parent IP addresses:         | 10.10.10.10/24 |                                                    |
|                              | 11.11.11.11/24 |                                                    |
| Virtual router IP addresses: | 10.10.10.11    | Invalid (not equal to parent IP address)           |
|                              | 10.10.10.10    | Associated (same as parent IP address 10.10.10.10) |
|                              | 10.10.11.11    | Invalid (not equal to parent IP address)           |
|                              | 11.11.11.254   | Invalid (not equal to parent IP address)           |
|                              | 11.11.11.255   | Invalid (not equal to parent IP address)           |

**Non-Owner Virtual Router IP Address Parental Association** — When an IP address is assigned to a non-owner virtual router instance, it must be associated with one of the parental IP interface assigned IP addresses. The virtual router IP address must be a valid IP address within one of

the parental IP interfaces local subnet. Local subnets are created by the link-local or global IP addresses in conjunction with the IP addresses mask. If the defined virtual router IP address is equal to the associated subnet's broadcast address, it is invalid. Virtual router IP addresses for non-owner virtual router instances that are equal to a parental IP interface IP address are also invalid.

The same virtual router IP address may not be assigned to two separate virtual router instances. If the virtual router IP address already exists on another virtual router instance, the virtual router IP address assignment will fail.

One exception to this rule is for the IPv6 link-local address that is configured as a backup address. The same link-local address can be configured in all virtual routers that use the same vrid.

### Example - Non-Owner Virtual Router Instance

|                                |                |                                               |
|--------------------------------|----------------|-----------------------------------------------|
| Parent IP addresses:           | 10.10.10.10/24 |                                               |
|                                | 11.11.11.11/24 |                                               |
| Virtual router IPv6 addresses: | 10.10.10.11    | Associated with 10.10.10.10 (in subnet)       |
|                                | 10.10.10.10    | Invalid (same as parent IP address)           |
|                                | 10.10.11.11    | Invalid (outside of all Parent IP subnets)    |
|                                | 11.11.11.254   | Associated with 11.11.11.11 (in subnet)       |
|                                | 11.11.11.255   | Invalid (broadcast address of 11.11.11.11/24) |

**Virtual Router IP Address Assignment without Parent IP Address** — When assigning an IP address to a virtual router instance, an associated IP address (see **Owner Virtual Router IP Address Parental Association** and **Non-Owner Virtual Router IP Address Parental Association**) on the parental IP interface must already exist. If an associated IP address on the parental IP interface is not configured, the virtual router IP address assignment fails.

**Virtual Router IPv6 Address Assignment** — An IPv6 backup address requires that the parental IP address that is in the same subnet as the backup address must be manually configured, non-EUI-64 and configured to be in the preferred state.

|                   |                                                                                                                                                                                                                                                                                                |                                                                                            |
|-------------------|------------------------------------------------------------------------------------------------------------------------------------------------------------------------------------------------------------------------------------------------------------------------------------------------|--------------------------------------------------------------------------------------------|
| <b>Default</b>    | no backup — No virtual router IP address is assigned.                                                                                                                                                                                                                                          |                                                                                            |
| <b>Parameters</b> | <i>ipv6-address</i> — The virtual router IP address expressed in dotted decimal notation. The IP virtual router IP address must be in the same subnet of the parental IP interface IP address or equal to one of the the parent interface addresses for <b>owner</b> virtual router instances. |                                                                                            |
| <b>Values</b>     | ipv6-address                                                                                                                                                                                                                                                                                   | x:x:x:x:x:x:x (eight 16-bit pieces)<br>x:x:x:x:x::d.d.d.d<br>x: [0..FFFF]H<br>d: [0..255]D |

## bfd-enable

|                    |                                                                                                                                                                                                                                                                                                                                                                                                                                                                                                                                                                                                                                                                                                                                                                                                                    |                       |                     |                |  |                   |                       |
|--------------------|--------------------------------------------------------------------------------------------------------------------------------------------------------------------------------------------------------------------------------------------------------------------------------------------------------------------------------------------------------------------------------------------------------------------------------------------------------------------------------------------------------------------------------------------------------------------------------------------------------------------------------------------------------------------------------------------------------------------------------------------------------------------------------------------------------------------|-----------------------|---------------------|----------------|--|-------------------|-----------------------|
| <b>Syntax</b>      | <b>[no] bfd-enable</b> [ <i>service-id</i> ] <b>interface</b> <i>interface-name</i> <b>dst-ip</b> <i>ip-address</i><br><b>[no] bfd-enable interface</b> <i>interface-name</i> <b>dst-ip</b> <i>ip-address</i>                                                                                                                                                                                                                                                                                                                                                                                                                                                                                                                                                                                                      |                       |                     |                |  |                   |                       |
| <b>Context</b>     | config>router>if>vrrp<br>config>router>if>ipv6>vrrp                                                                                                                                                                                                                                                                                                                                                                                                                                                                                                                                                                                                                                                                                                                                                                |                       |                     |                |  |                   |                       |
| <b>Description</b> | This commands assigns a bi-directional forwarding (BFD) session providing heart-beat mechanism for the given VRRP/SRRP instance. There can be only one BFD session assigned to any given VRRP/SRRP instance, but there can be multiple SRRP/VRRP sessions using the same BFD session.<br><br>BFD control the state of the associated interface. By enabling BFD on a given protocol interface, the state of the protocol interface is tied to the state of the BFD session between the local node and the remote node. The parameters used for the BFD are set by the BFD command under the IP interface. The specified interface may not be configured with BFD; when it is, the virtual router will then initiate the BFD session.<br><br>The <b>no</b> form of this command removes BFD from the configuration. |                       |                     |                |  |                   |                       |
| <b>Default</b>     | none                                                                                                                                                                                                                                                                                                                                                                                                                                                                                                                                                                                                                                                                                                                                                                                                               |                       |                     |                |  |                   |                       |
| <b>Parameters</b>  | <i>service-id</i> — Specifies the service ID of the interface running BFD.<br><br><table border="0" style="margin-left: 2em;"> <tr> <td style="vertical-align: top;"><b>Values</b></td> <td><i>service-id</i>:</td> <td>1 — 2147483647</td> </tr> <tr> <td></td> <td><i>svc-name</i>:</td> <td>64 characters maximum</td> </tr> </table><br><b>interface</b> <i>interface-name</i> — Specifies the name of the interface running BFD. The specified interface may not yet be configured with BFD. However, when it is, this virtual router will then initiate the BFD session.<br><br><b>dst-ip</b> <i>ip-address</i> — Specifies the destination address to be used for the BFD session.                                                                                                                          | <b>Values</b>         | <i>service-id</i> : | 1 — 2147483647 |  | <i>svc-name</i> : | 64 characters maximum |
| <b>Values</b>      | <i>service-id</i> :                                                                                                                                                                                                                                                                                                                                                                                                                                                                                                                                                                                                                                                                                                                                                                                                | 1 — 2147483647        |                     |                |  |                   |                       |
|                    | <i>svc-name</i> :                                                                                                                                                                                                                                                                                                                                                                                                                                                                                                                                                                                                                                                                                                                                                                                                  | 64 characters maximum |                     |                |  |                   |                       |

## init-delay

|                    |                                                                                                                                                                                                                                |               |           |
|--------------------|--------------------------------------------------------------------------------------------------------------------------------------------------------------------------------------------------------------------------------|---------------|-----------|
| <b>Syntax</b>      | <b>init-delay</b> <i>seconds</i><br><b>no init-delay</b>                                                                                                                                                                       |               |           |
| <b>Context</b>     | config>router>if>vrrp<br>config>router>if>ipv6>vrrp                                                                                                                                                                            |               |           |
| <b>Description</b> | This command configures a VRRP initialization delay timer.                                                                                                                                                                     |               |           |
| <b>Parameters</b>  | <i>seconds</i> — Specifies the initialization delay timer for VRRP, in seconds.<br><br><table border="0" style="margin-left: 2em;"> <tr> <td style="vertical-align: top;"><b>Values</b></td> <td>1 — 65535</td> </tr> </table> | <b>Values</b> | 1 — 65535 |
| <b>Values</b>      | 1 — 65535                                                                                                                                                                                                                      |               |           |



## mac

|                    |                                                                                                                                                                                                                                                                                                                                                                                                                                                                                                                                                                                                                                                                                                                                                                                                                                                                                                                                                                                                                                                                                                                                                                                                                                                                                                                                                                                                                                                                                                                                               |
|--------------------|-----------------------------------------------------------------------------------------------------------------------------------------------------------------------------------------------------------------------------------------------------------------------------------------------------------------------------------------------------------------------------------------------------------------------------------------------------------------------------------------------------------------------------------------------------------------------------------------------------------------------------------------------------------------------------------------------------------------------------------------------------------------------------------------------------------------------------------------------------------------------------------------------------------------------------------------------------------------------------------------------------------------------------------------------------------------------------------------------------------------------------------------------------------------------------------------------------------------------------------------------------------------------------------------------------------------------------------------------------------------------------------------------------------------------------------------------------------------------------------------------------------------------------------------------|
| <b>Syntax</b>      | <b>mac</b> <i>mac-address</i><br><b>no mac</b>                                                                                                                                                                                                                                                                                                                                                                                                                                                                                                                                                                                                                                                                                                                                                                                                                                                                                                                                                                                                                                                                                                                                                                                                                                                                                                                                                                                                                                                                                                |
| <b>Context</b>     | config>router>if>vrrp<br>config>router>if>ipv6>vrrp                                                                                                                                                                                                                                                                                                                                                                                                                                                                                                                                                                                                                                                                                                                                                                                                                                                                                                                                                                                                                                                                                                                                                                                                                                                                                                                                                                                                                                                                                           |
| <b>Description</b> | <p>This command sets an explicit MAC address used by the virtual router instance overriding the VRRP default derived from the VRID.</p> <p>Changing the default MAC address is useful when an existing HSRP or other non-VRRP default MAC is in use by the IP hosts using the virtual router IP address. Many hosts do not monitor unessential ARPs and continue to use the cached non-VRRP MAC address after the virtual router becomes master of the host's gateway address.</p> <p>The <b>mac</b> command sets the MAC address used in ARP responses when the virtual router instance is master. Routing of IP packets with <i>mac-address</i> as the destination MAC is also enabled. The <b>mac</b> setting must be the same for all virtual routers participating as a virtual router or indeterminate connectivity by the attached IP hosts will result. All VRRP advertisement messages are transmitted with <i>mac-address</i> as the source MAC.</p> <p>The command can be configured in both non-owner and owner <b>vrrp</b> nodal contexts.</p> <p>The <b>mac</b> command can be executed at any time and takes effect ediatly. When the virtual router MAC on a master virtual router instance changes, a gratuitous ARP is ediatly sent with a VRRP advertisement message. If the virtual router instance is disabled or operating as backup, the gratuitous ARP and VRRP advertisement message is not sent.</p> <p>The <b>no</b> form of the command restores the default VRRP MAC address to the virtual router instance.</p> |
| <b>Default</b>     | no mac — The virtual router instance uses the default VRRP MAC address derived from the VRID.                                                                                                                                                                                                                                                                                                                                                                                                                                                                                                                                                                                                                                                                                                                                                                                                                                                                                                                                                                                                                                                                                                                                                                                                                                                                                                                                                                                                                                                 |
| <b>Parameters</b>  | <i>mac-address</i> — The 48-bit MAC address for the virtual router instance in the form <i>aa:bb:cc:dd:ee:ff</i> or <i>aa-bb-cc-dd-ee-ff</i> where <i>aa</i> , <i>bb</i> , <i>cc</i> , <i>dd</i> , <i>ee</i> and <i>ff</i> are hexadecimal numbers. Allowed values are any non-broadcast, non-multicast MAC, and non-IEEE reserved MAC addresses.                                                                                                                                                                                                                                                                                                                                                                                                                                                                                                                                                                                                                                                                                                                                                                                                                                                                                                                                                                                                                                                                                                                                                                                             |

## master-int-inherit

|                    |                                                                                                                                                                                                                                                                                                                                                                                                                                                                                                                                          |
|--------------------|------------------------------------------------------------------------------------------------------------------------------------------------------------------------------------------------------------------------------------------------------------------------------------------------------------------------------------------------------------------------------------------------------------------------------------------------------------------------------------------------------------------------------------------|
| <b>Syntax</b>      | <b>[no] master-int-inherit</b>                                                                                                                                                                                                                                                                                                                                                                                                                                                                                                           |
| <b>Context</b>     | config>router>if>vrrp<br>config>router>if>ipv6>vrrp                                                                                                                                                                                                                                                                                                                                                                                                                                                                                      |
| <b>Description</b> | <p>This command enables the virtual router instance to inherit the master VRRP router's advertisement interval timer which is used by backup routers to calculate the master down timer.</p> <p>The <b>master-int-inherit</b> command is only available in the non-owner nodal context and is used to allow the current virtual router instance master to dictate the master down timer for all backup virtual routers. The <b>master-int-inherit</b> command has no effect when the virtual router instance is operating as master.</p> |

If **master-int-inherit** is not enabled, the locally configured **message-interval** must match the master's VRRP advertisement message advertisement interval field value or the message is discarded.

The **no** form of the command restores the default operating condition which requires the locally configured **message-interval** to match the received VRRP advertisement message advertisement interval field value.

**Default** no master-int-inherit — The virtual router instance does not inherit the master VRRP router's advertisement interval timer and uses the locally configured message interval.

### message-interval

|                    |                                                                                                                                                                                                                                                                                                                                                                                                                                                                                                                                                                                                                                                                                                                                                                                                                                                                                                                                                                                                                                                                                                                                                                                                                                                                                                                                                                                                                                                                                                                                                                                                                                                                                                                                                                                                                                                                                                                                                                                                                                                                                                                                                                                                                                                                                                           |
|--------------------|-----------------------------------------------------------------------------------------------------------------------------------------------------------------------------------------------------------------------------------------------------------------------------------------------------------------------------------------------------------------------------------------------------------------------------------------------------------------------------------------------------------------------------------------------------------------------------------------------------------------------------------------------------------------------------------------------------------------------------------------------------------------------------------------------------------------------------------------------------------------------------------------------------------------------------------------------------------------------------------------------------------------------------------------------------------------------------------------------------------------------------------------------------------------------------------------------------------------------------------------------------------------------------------------------------------------------------------------------------------------------------------------------------------------------------------------------------------------------------------------------------------------------------------------------------------------------------------------------------------------------------------------------------------------------------------------------------------------------------------------------------------------------------------------------------------------------------------------------------------------------------------------------------------------------------------------------------------------------------------------------------------------------------------------------------------------------------------------------------------------------------------------------------------------------------------------------------------------------------------------------------------------------------------------------------------|
| <b>Syntax</b>      | <b>message-interval</b> {[seconds] [milliseconds milliseconds]}<br><b>no message-interval</b>                                                                                                                                                                                                                                                                                                                                                                                                                                                                                                                                                                                                                                                                                                                                                                                                                                                                                                                                                                                                                                                                                                                                                                                                                                                                                                                                                                                                                                                                                                                                                                                                                                                                                                                                                                                                                                                                                                                                                                                                                                                                                                                                                                                                             |
| <b>Context</b>     | config>router>if>vrrp<br>config>router>if>ipv6>vrrp                                                                                                                                                                                                                                                                                                                                                                                                                                                                                                                                                                                                                                                                                                                                                                                                                                                                                                                                                                                                                                                                                                                                                                                                                                                                                                                                                                                                                                                                                                                                                                                                                                                                                                                                                                                                                                                                                                                                                                                                                                                                                                                                                                                                                                                       |
| <b>Description</b> | <p>This command configures the administrative advertisement message timer used by the master virtual router instance to send VRRP advertisement messages and to derive the master down timer as backup.</p> <p>For an owner virtual router instance, the administrative advertisement timer directly sets the operational advertisement timer and indirectly sets the master down timer for the virtual router instance.</p> <p>Non-owner virtual router instances usage of the <b>message-interval</b> setting is dependent on the state of the virtual router (master or backup) and the state of the <b>master-int-inherit</b> parameter.</p> <ul style="list-style-type: none"><li>• When a non-owner is operating as master for the virtual router, the configured <b>message-interval</b> is used as the operational advertisement timer similar to an owner virtual router instance. The <b>master-int-inherit</b> command has no effect when operating as master.</li><li>• When a non-owner is in the backup state with <b>master-int-inherit</b> disabled, the configured <b>message-interval</b> value is used to match the incoming VRRP advertisement message advertisement interval field. If the locally configured message interval does not match the advertisement interval field, the VRRP advertisement is discarded.</li><li>• When a non-owner is in the backup state with <b>master-int-inherit</b> enabled, the configured <b>message-interval</b> is ignored. The master down timer is indirectly derived from the incoming VRRP advertisement message advertisement interval field value.</li></ul> <p>VRRP advertisements messages that are fragmented, contain IP options (IPv4), or contain extension headers (IPv6) require a longer message interval to be configured.</p> <p>The in-use value of the message interval is used to derive the master down timer to be used when the virtual router is operating in backup mode based on the following formula:</p> $(3x \text{ (in-use message interval)} + \text{skew time})$ <p>The skew time portion is used to slow down virtual routers with relatively low priority values when competing in the master election process.</p> <p>The command is available in both non-owner and owner <b>vrrp</b> nodal contexts.</p> |

By default, a **message-interval** of 1 second is used.

The **no** form of the command reverts to the default value.

|                   |                                                                                                                                                                                                         |
|-------------------|---------------------------------------------------------------------------------------------------------------------------------------------------------------------------------------------------------|
| <b>Default</b>    | 1 — Advertisement timer set to 1 second                                                                                                                                                                 |
| <b>Parameters</b> | <i>seconds</i> — The number of seconds that will transpire before the advertisement timer expires expressed as a decimal integer.                                                                       |
|                   | <b>Values</b> IPv4: 1 — 255<br>IPv6: 1 — 40                                                                                                                                                             |
|                   | <b>milliseconds</b> <i>milliseconds</i> — Specifies the time interval, in milliseconds, between sending advertisement messages. This parameter is not supported on the 7750 SR-1 or 7450 ESS-1 chassis. |
|                   | <b>Values</b> 100 — 900<br>IPv6: 10 — 990                                                                                                                                                               |

## policy

|                    |                                                                                                                                                                                                                                                                                                                                                                                                                                                                                                                                                                                                                                                                                                                                                                                                                                                                                                                                                                                                                                                                                                                                                                                                                                                                                                                     |
|--------------------|---------------------------------------------------------------------------------------------------------------------------------------------------------------------------------------------------------------------------------------------------------------------------------------------------------------------------------------------------------------------------------------------------------------------------------------------------------------------------------------------------------------------------------------------------------------------------------------------------------------------------------------------------------------------------------------------------------------------------------------------------------------------------------------------------------------------------------------------------------------------------------------------------------------------------------------------------------------------------------------------------------------------------------------------------------------------------------------------------------------------------------------------------------------------------------------------------------------------------------------------------------------------------------------------------------------------|
| <b>Syntax</b>      | <b>policy</b> <i>policy-id</i><br><b>no policy</b>                                                                                                                                                                                                                                                                                                                                                                                                                                                                                                                                                                                                                                                                                                                                                                                                                                                                                                                                                                                                                                                                                                                                                                                                                                                                  |
| <b>Context</b>     | config>router>if>vrrp<br>config>router>if>ipv6>vrrp                                                                                                                                                                                                                                                                                                                                                                                                                                                                                                                                                                                                                                                                                                                                                                                                                                                                                                                                                                                                                                                                                                                                                                                                                                                                 |
| <b>Description</b> | <p>This command adds a VRRP priority control policy association with the virtual router instance.</p> <p>To further augment the virtual router instance base priority, VRRP priority control policies can be used to override or adjust the base priority value depending on events or conditions within the chassis.</p> <p>The policy can be associated with more than one virtual router instance. The priority events within the policy either override or diminish the base priority set with the <b>priority</b> command dynamically affecting the in-use priority. As priority events clear in the policy, the in-use priority can eventually be restored to the base <b>priority</b> value.</p> <p>The <b>policy</b> command is only available in the non-owner <b>vrrp</b> nodal context. The priority of <b>owner</b> virtual router instances is permanently set to 255 and cannot be changed by VRRP priority control policies. For non-owner virtual router instances, if the <b>policy</b> command is not executed, the base <b>priority</b> is used as the in-use priority.</p> <p>The <b>no</b> form of the command removes existing VRRP priority control policy associations from the virtual router instance. All associations must be removed prior to deleting the policy from the system.</p> |
| <b>Default</b>     | no policy — No VRRP priority control policy is associated with the virtual router instance.                                                                                                                                                                                                                                                                                                                                                                                                                                                                                                                                                                                                                                                                                                                                                                                                                                                                                                                                                                                                                                                                                                                                                                                                                         |
| <b>Parameters</b>  | <i>policy-id</i> — The policy ID of the VRRP priority control expressed as a decimal integer. The <i>vrrp-policy-id</i> must already exist for the command to function.                                                                                                                                                                                                                                                                                                                                                                                                                                                                                                                                                                                                                                                                                                                                                                                                                                                                                                                                                                                                                                                                                                                                             |
|                    | <b>Values</b> 1 — 9999                                                                                                                                                                                                                                                                                                                                                                                                                                                                                                                                                                                                                                                                                                                                                                                                                                                                                                                                                                                                                                                                                                                                                                                                                                                                                              |

### preempt

|                    |                                                                                                                                                                                                                                                                                                                                                                                                                                                                                                                                                                                                                                                                                                                                                                                                                                                                                                                                                                                                                                                                                                                                                                                                                                                                                                                                                                                                                                                                                                                                                                                                                                                                                                                                                                                                                                                                                                                                                                                                                                                                                                                                                                                                                                                     |
|--------------------|-----------------------------------------------------------------------------------------------------------------------------------------------------------------------------------------------------------------------------------------------------------------------------------------------------------------------------------------------------------------------------------------------------------------------------------------------------------------------------------------------------------------------------------------------------------------------------------------------------------------------------------------------------------------------------------------------------------------------------------------------------------------------------------------------------------------------------------------------------------------------------------------------------------------------------------------------------------------------------------------------------------------------------------------------------------------------------------------------------------------------------------------------------------------------------------------------------------------------------------------------------------------------------------------------------------------------------------------------------------------------------------------------------------------------------------------------------------------------------------------------------------------------------------------------------------------------------------------------------------------------------------------------------------------------------------------------------------------------------------------------------------------------------------------------------------------------------------------------------------------------------------------------------------------------------------------------------------------------------------------------------------------------------------------------------------------------------------------------------------------------------------------------------------------------------------------------------------------------------------------------------|
| <b>Syntax</b>      | <b>[no] preempt</b>                                                                                                                                                                                                                                                                                                                                                                                                                                                                                                                                                                                                                                                                                                                                                                                                                                                                                                                                                                                                                                                                                                                                                                                                                                                                                                                                                                                                                                                                                                                                                                                                                                                                                                                                                                                                                                                                                                                                                                                                                                                                                                                                                                                                                                 |
| <b>Context</b>     | config>router>if>vrrp<br>config>router>if>ipv6>vrrp                                                                                                                                                                                                                                                                                                                                                                                                                                                                                                                                                                                                                                                                                                                                                                                                                                                                                                                                                                                                                                                                                                                                                                                                                                                                                                                                                                                                                                                                                                                                                                                                                                                                                                                                                                                                                                                                                                                                                                                                                                                                                                                                                                                                 |
| <b>Description</b> | <p>This command enables the overriding of an existing VRRP master if the virtual router's in-use priority is higher than the current master.</p> <p>The priority of the non-owner virtual router instance, the preempt mode allows the best available virtual router to force itself as the master over other available virtual routers.</p> <p>When <b>preempt</b> is enabled, the virtual router instance overrides any non-owner master with an in-use message priority value less than the virtual router instance in-use priority value. If <b>preempt</b> is disabled, the virtual router only becomes master if the master down timer expires before a VRRP advertisement message is received from another virtual router.</p> <p>Enabling <b>preempt</b> mode improves the effectiveness of the base <b>priority</b> and the VRRP priority control policy mechanisms on the virtual router instance. If the virtual router cannot preempt an existing non-owner master, the affect of the dynamic changing of the in-use priority is diminished.</p> <p>The <b>preempt</b> command is only available in the non-owner <b>vrrp</b> nodal context. The owner may not be preempted because the priority of non-owners can never be higher than the owner. The owner always preempts all other virtual routers when it is available.</p> <p>Non-owner virtual router instances only preempt when <b>preempt</b> is set and the current master has an in-use message priority value less than the virtual router instances in-use priority.</p> <p>A master non-owner virtual router only allows itself to be preempted when the incoming VRRP advertisement message priority field value is one of the following:</p> <ul style="list-style-type: none"><li>• Greater than the virtual router in-use priority value.</li><li>• Equal to the in-use priority value and the source IP address (primary IP address) is greater than the virtual router instance primary IP address.</li></ul> <p>By default, preempt mode is enabled on the virtual router instance.</p> <p>The <b>no</b> form of the command disables preempt mode and prevents the non-owner virtual router instance from preempting another, less desirable virtual router.</p> |
| <b>Default</b>     | <b>preempt</b> — The preempt mode enabled on the virtual router instance where it will preempt a VRRP master with a lower priority.                                                                                                                                                                                                                                                                                                                                                                                                                                                                                                                                                                                                                                                                                                                                                                                                                                                                                                                                                                                                                                                                                                                                                                                                                                                                                                                                                                                                                                                                                                                                                                                                                                                                                                                                                                                                                                                                                                                                                                                                                                                                                                                 |

### priority

|                    |                                                                                                                       |
|--------------------|-----------------------------------------------------------------------------------------------------------------------|
| <b>Syntax</b>      | <b>priority</b> <i>base-priority</i><br><b>no priority</b>                                                            |
| <b>Context</b>     | config>router>if>vrrp<br>config>router>if>ipv6>vrrp                                                                   |
| <b>Description</b> | This command configures the base router priority for the virtual router instance used in the master election process. |

The **priority** is the most important parameter set on a non-owner virtual router instance. The priority defines a virtual router's selection order in the master election process. Together, the priority value and the **preempt** mode allow the virtual router with the best priority to become the master virtual router.

The *base-priority* is used to derive the in-use priority of the virtual router instance as modified by any optional VRRP priority control policy. VRRP priority control policies can be used to either override or adjust the base priority value depending on events or conditions within the chassis.

The **priority** command is only available in the non-owner **vrrp** nodal context. The priority of **owner** virtual router instances is permanently set to 255 and cannot be changed.

For non-owner virtual router instances, the default base priority value is 100.

The **no** form of the command reverts to the default value.

|                   |                                                                                                                                                                                                                                              |
|-------------------|----------------------------------------------------------------------------------------------------------------------------------------------------------------------------------------------------------------------------------------------|
| <b>Default</b>    | <b>100</b>                                                                                                                                                                                                                                   |
| <b>Parameters</b> | <i>base-priority</i> — The base priority used by the virtual router instance expressed as a decimal integer. If no VRRP priority control policy is defined, the <i>base-priority</i> is the in-use priority for the virtual router instance. |
| <b>Values</b>     | 1 — 254                                                                                                                                                                                                                                      |

## ping-reply

|                    |                                                                                                                                                                                                                                                                                                                                                                                                                                                                                                                                                                                                                                                                                                                                                                                                                                                                                                                                                                                                                                                                                                                                                                                                                                                                                                                                                                                                                                                                                                                                        |
|--------------------|----------------------------------------------------------------------------------------------------------------------------------------------------------------------------------------------------------------------------------------------------------------------------------------------------------------------------------------------------------------------------------------------------------------------------------------------------------------------------------------------------------------------------------------------------------------------------------------------------------------------------------------------------------------------------------------------------------------------------------------------------------------------------------------------------------------------------------------------------------------------------------------------------------------------------------------------------------------------------------------------------------------------------------------------------------------------------------------------------------------------------------------------------------------------------------------------------------------------------------------------------------------------------------------------------------------------------------------------------------------------------------------------------------------------------------------------------------------------------------------------------------------------------------------|
| <b>Syntax</b>      | <b>[no] ping-reply</b>                                                                                                                                                                                                                                                                                                                                                                                                                                                                                                                                                                                                                                                                                                                                                                                                                                                                                                                                                                                                                                                                                                                                                                                                                                                                                                                                                                                                                                                                                                                 |
| <b>Context</b>     | config>router>if>vrrp<br>config>router>if>ipv6>vrrp                                                                                                                                                                                                                                                                                                                                                                                                                                                                                                                                                                                                                                                                                                                                                                                                                                                                                                                                                                                                                                                                                                                                                                                                                                                                                                                                                                                                                                                                                    |
| <b>Description</b> | <p>This command enables the non-owner master to reply to ICMP echo requests directed at the virtual router instances IP addresses.</p> <p>Non-owner virtual router instances are limited by the VRRP specifications to responding to ARP requests destined to the virtual router IP addresses and routing IP packets not addressed to the virtual router IP addresses. Many network administrators find this limitation frustrating when troubleshooting VRRP connectivity issues.</p> <p>7750 SR OS allows this access limitation to be selectively lifted for certain applications. Ping, Telnet and SSH can be individually enabled or disabled on a per-virtual-router-instance basis.</p> <p>The <b>ping-reply</b> command enables the non-owner master to reply to ICMP echo requests directed at the virtual router instances IP addresses. The Ping request can be received on any routed interface. Ping must not have been disabled at the management security level (either on the parental IP interface or based on the Ping source host address).</p> <p>When <b>ping-reply</b> is not enabled, ICMP echo requests to non-owner master virtual IP addresses are silently discarded.</p> <p>Non-owner backup virtual routers never respond to ICMP echo requests regardless of the <b>ping-reply</b> setting.</p> <p>The <b>ping-reply</b> command is only available in non-owner <b>vrrp</b> nodal context.</p> <p>By default, ICMP echo requests to the virtual router instance IP addresses are silently discarded.</p> |

The **no** form of the command configures discarding all ICMP echo request messages destined to the non-owner virtual router instance IP addresses.

**Default** **no ping-reply** — ICMP echo requests to the virtual router instance IP addresses are discarded.

### shutdown

**Syntax** **[no] shutdown**

**Context** config>router>if>vrrp  
config>router>if>ipv6>vrrp

**Description** This command administratively disables an entity. When disabled, an entity does not change, reset, or remove any configuration settings or statistics.

The operational state of the entity is disabled as well as the operational state of any entities contained within. Many objects must be shut down before they may be deleted.

The **no** form of this command administratively enables an entity.

**Special Cases** **Non-Owner Virtual Router** — Non-owner virtual router instances can be administratively shutdown. This allows the termination of VRRP participation in the virtual router and stops all routing and other access capabilities with regards to the virtual router IP addresses. Shutting down the virtual router instance provides a mechanism to maintain the virtual routers without causing false backup/master state changes.

If the **shutdown** command is executed, no VRRP advertisement messages are generated and all received VRRP advertisement messages are silently discarded with no processing.

By default, virtual router instances are created in the **no shutdown** state.

Whenever the administrative state of a virtual router instance transitions, a log message is generated.

Whenever the operational state of a virtual router instance transitions, a log message is generated.

**Owner Virtual Router** — An owner virtual router context does not have a **shutdown** command. To administratively disable an owner virtual router instance, use the **shutdown** command within the parent IP interface node which administratively downs the IP interface.

### ssh-reply

**Syntax** **[no] ssh-reply**

**Context** config>router>if>vrrp

**Description** This command enables the non-owner master to reply to SSH requests directed at the virtual router instance IP addresses. This command is only applicable to IPv4.

Non-owner virtual router instances are limited by the VRRP specifications to responding to ARP requests destined to the virtual router IP addresses and routing IP packets not addressed to the virtual router IP addresses.

This limitation can be disregarded for certain applications. Ping, Telnet and SSH can be individually enabled or disabled on a per-virtual-router-instance basis.

The **ssh-reply** command enables the non-owner master to reply to SSH requests directed at the virtual router instances IP addresses. The SSH request can be received on any routed interface. SSH must not have been disabled at the management security level (either on the parental IP interface or based on the SSH source host address). Proper login and CLI command authentication is still enforced.

When **ssh-reply** is not enabled, SSH requests to non-owner master virtual IP addresses are silently discarded.

Non-owner backup virtual routers never respond to SSH requests regardless of the **ssh-reply** setting.

The **ssh-reply** command is only available in non-owner **vrrp** nodal context.

By default, SSH requests to the virtual router instance IP addresses are silently discarded.

The **no** form of the command discards all SSH request messages destined to the non-owner virtual router instance IP addresses.

**Default** **no ssh-reply** — SSH requests to the virtual router instance IP addresses are discarded.

## standby-forwarding

**Syntax** **[no] standby-forwarding**

**Context** config>router>if>vrrp  
config>router>if>ipv6>vrrp

**Description** This command specifies whether this VRRP instance allows forwarding packets to a standby router. When disabled, a standby router should not forward traffic sent to virtual router's MAC address. However, the standby router should forward traffic sent to the standby router's real MAC address. When enabled, a standby router should forward all traffic.

## telnet-reply

**Syntax** **[no] telnet-reply**

**Context** config>router>if>vrrp  
config>router>if>ipv6>vrrp

**Description** This command enables the non-owner master to reply to TCP port 23 Telnet requests directed at the virtual router instances' IP addresses.

Non-owner virtual router instances are limited by the VRRP specifications to responding to ARP requests destined to the virtual router IP addresses and routing IP packets not addressed to the virtual router IP addresses. Many network administrators find this limitation frustrating when troubleshooting VRRP connectivity issues.

This limitation can be disregarded for certain applications. Ping, SSH and Telnet can each be individually enabled or disabled on a per-virtual-router-instance basis.

The **telnet-reply** command enables the non-owner master to reply to Telnet requests directed at the virtual router instances' IP addresses. The Telnet request can be received on any routed interface. Telnet must not have been disabled at the management security level (either on the parental IP interface or based on the Telnet source host address). Proper login and CLI command authentication is still enforced.

When **telnet-reply** is not enabled, Telnet requests to non-owner master virtual IP addresses are silently discarded.

Non-owner backup virtual routers never respond to Telnet requests regardless of the **telnet-reply** setting.

The **telnet-reply** command is only available in non-owner **vrrp** nodal context.

By default, Telnet requests to the virtual router instance IP addresses will be silently discarded.

The **no** form of the command configures discarding all Telnet request messages destined to the non-owner virtual router instance IP addresses.

**Default** **no telnet-reply** — Telnet requests to the virtual router instance IP addresses are discarded.

### traceroute-reply

**Syntax** **[no] traceroute-reply**

**Context** config>router>if>vrrp  
config>router>if>ipv6>vrrp

**Description** This command is valid only if the VRRP virtual router instance associated with this entry is a non-owner.

When this command is enabled, a non-owner master can reply to traceroute requests directed to the virtual router instance IP addresses.

A non-owner backup virtual router never responds to such traceroute requests regardless of the **traceroute-reply** status.

**Default** no traceroute-reply



## vrrp

|                      |                                                                                                                                                                                                                                                                                                                                                                                                                                                                                                                                                                                                                                                                                                                                                                                                                                                                                                                                                                                                                                                                                                                                                                                                                                                                                                                                                                                                                                                                                                                                                                                                                                                                                                           |
|----------------------|-----------------------------------------------------------------------------------------------------------------------------------------------------------------------------------------------------------------------------------------------------------------------------------------------------------------------------------------------------------------------------------------------------------------------------------------------------------------------------------------------------------------------------------------------------------------------------------------------------------------------------------------------------------------------------------------------------------------------------------------------------------------------------------------------------------------------------------------------------------------------------------------------------------------------------------------------------------------------------------------------------------------------------------------------------------------------------------------------------------------------------------------------------------------------------------------------------------------------------------------------------------------------------------------------------------------------------------------------------------------------------------------------------------------------------------------------------------------------------------------------------------------------------------------------------------------------------------------------------------------------------------------------------------------------------------------------------------|
| <b>Syntax</b>        | <b>vrrp</b> <i>vrid</i> [ <b>owner</b> ]<br><b>no vrrp</b> <i>vrid</i>                                                                                                                                                                                                                                                                                                                                                                                                                                                                                                                                                                                                                                                                                                                                                                                                                                                                                                                                                                                                                                                                                                                                                                                                                                                                                                                                                                                                                                                                                                                                                                                                                                    |
| <b>Context</b>       | config>router>interface <i>ip-int-name</i><br>config>router>if>ipv6                                                                                                                                                                                                                                                                                                                                                                                                                                                                                                                                                                                                                                                                                                                                                                                                                                                                                                                                                                                                                                                                                                                                                                                                                                                                                                                                                                                                                                                                                                                                                                                                                                       |
| <b>Description</b>   | <p>This command creates the context to configure a VRRP virtual router instance. A virtual router is defined by its virtual router identifier (VRID) and a set of IP addresses.</p> <p>The optional <b>owner</b> keyword indicates that the <b>owner</b> controls the IP address of the virtual router and is responsible for forwarding packets sent to this IP address. The <b>owner</b> assumes the role of the master virtual router.</p> <p>All other virtual router instances participating in this message domain must have the same <i>vrid</i> configured and cannot be configured as <b>owner</b>. Once created, the <b>owner</b> keyword is optional when entering the <i>vrid</i> for configuration purposes.</p> <p>A <i>vrid</i> is internally associated with the IP interface. This allows the <i>vrid</i> to be used on multiple IP interfaces while representing different virtual router instances.</p> <p>For IPv4, up to four <b>vrrp</b> <i>vrid</i> nodes can be configured on a router interface. Each virtual router instance can manage up to 16 backup IP addresses. For IPv6, only one virtual router ID can be configured on a router interface.</p> <p>The <b>no</b> form of the command removes the specified <i>vrid</i> from the IP interface. This terminates VRRP participation and deletes all references to the <i>vrid</i> in conjunction with the IP interface. The <i>vrid</i> does not need to be shutdown to remove the virtual router instance.</p>                                                                                                                                                                                                            |
| <b>Special Cases</b> | <p><b>Virtual Router Instance Owner IP Address Conditions</b> — It is possible for the virtual router instance <b>owner</b> to be created prior to assigning the parent IP interface primary or secondary IP addresses. When this is the case, the virtual router instance is not associated with an IP address. The operational state of the virtual router instance is down.</p> <p><b>VRRP Owner Command Exclusions</b> — By specifying the VRRP <i>vrid</i> as <b>owner</b>, The following commands are no longer available:</p> <ul style="list-style-type: none"> <li>• <b>vrrp priority</b> — The virtual router instance <b>owner</b> is hard-coded with a <b>priority</b> value of 255 and cannot be changed.</li> <li>• <b>vrrp master-int-inherit</b> — Owner virtual router instances do not accept VRRP advertisement messages; the advertisement interval field is not evaluated and cannot be inherited.</li> <li>• <b>ping-reply, telnet-reply</b> and <b>ssh-reply</b> — The <b>owner</b> virtual router instance always allows Ping, Telnet and SSH if the management and security parameters are configured to accept them on the parent IP interface.</li> <li>• <b>vrrp shutdown</b> — The <b>owner</b> virtual router instance cannot be shutdown in the <b>vrrp</b> node. If this was allowed, VRRP messages would not be sent, but the parent IP interface address would continue to respond to ARPs and forward IP packets. Another virtual router instance may detect the missing master due to the termination of VRRP advertisement messages and become master. This would cause two routers responding to ARP requests for the same IP addresses. To <b>shut-</b></li> </ul> |

## Interface Configuration Commands

**down** the **owner** virtual router instance, use the **shutdown** command in the parent IP interface context. This will prevent VRRP participation, IP ARP reply and IP forwarding. To continue parent IP interface ARP reply and forwarding without VRRP participation, remove the **vrrp vrid** instance.

- traceroute-reply

**Default** **no vrrp** — No VRRP virtual router instance is associated with the IP interface.

**Parameters** *vrid* — The virtual router ID for the IP interface expressed as a decimal integer.

**Values** 1 — 255

**owner** — Identifies this virtual router instance as owning the virtual router IP addresses. If the **owner** keyword is not specified at the time of *vrid* creation, the **vrrp backup** commands must be specified to define the virtual router IP addresses. The **owner** keyword is not required when entering the *vrid* for editing purposes. Once created as **owner**, a *vrid* on an IP interface cannot have the **owner** parameter removed. The *vrid* must be deleted and then recreated without the **owner** keyword to remove ownership.

---

## Priority Policy Commands

### delta-in-use-limit

|                    |                                                                                                                                                                                                                                                                                                                                                                                                                                                                                                                                                                                                                                                                                                                                                                                                                                                                                                                                                                                                                                                                                                                                                                                                                                                                                                                                                                                                                                                                                                                                                                                                                                                                                                                                                                                                                                                                                                                      |
|--------------------|----------------------------------------------------------------------------------------------------------------------------------------------------------------------------------------------------------------------------------------------------------------------------------------------------------------------------------------------------------------------------------------------------------------------------------------------------------------------------------------------------------------------------------------------------------------------------------------------------------------------------------------------------------------------------------------------------------------------------------------------------------------------------------------------------------------------------------------------------------------------------------------------------------------------------------------------------------------------------------------------------------------------------------------------------------------------------------------------------------------------------------------------------------------------------------------------------------------------------------------------------------------------------------------------------------------------------------------------------------------------------------------------------------------------------------------------------------------------------------------------------------------------------------------------------------------------------------------------------------------------------------------------------------------------------------------------------------------------------------------------------------------------------------------------------------------------------------------------------------------------------------------------------------------------|
| <b>Syntax</b>      | <b>delta-in-use-limit</b> <i>in-use-priority-limit</i><br><b>no delta-in-use-limit</b>                                                                                                                                                                                                                                                                                                                                                                                                                                                                                                                                                                                                                                                                                                                                                                                                                                                                                                                                                                                                                                                                                                                                                                                                                                                                                                                                                                                                                                                                                                                                                                                                                                                                                                                                                                                                                               |
| <b>Context</b>     | config>vrrp>policy <i>vrrp-policy-id</i>                                                                                                                                                                                                                                                                                                                                                                                                                                                                                                                                                                                                                                                                                                                                                                                                                                                                                                                                                                                                                                                                                                                                                                                                                                                                                                                                                                                                                                                                                                                                                                                                                                                                                                                                                                                                                                                                             |
| <b>Description</b> | <p>This command sets a lower limit on the virtual router in-use priority that can be derived from the delta priority control events.</p> <p>Each <i>vrrp-priority-id</i> places limits on the delta priority control events to define the in-use priority of the virtual router instance. Setting this limit prevents the sum of the delta priority events from lowering the in-use priority value of the associated virtual router instances below the configured value.</p> <p>The limit has no effect on explicit priority control events. Explicit priority control events are controlled by setting the in-use priority to any value between 1 and 254.</p> <p>Only non-owner virtual router instances can be associated with VRRP priority control policies and their priority control events.</p> <p>Once the total sum of all delta events is calculated and subtracted from the base <b>priority</b> of the virtual router instance, the result is compared to the <b>delta-in-use-limit</b> value. If the result is less than the limit, the <b>delta-in-use-limit</b> value is used as the virtual router in-use priority value. If an explicit priority control event overrides the delta priority control events, the <b>delta-in-use-limit</b> has no effect.</p> <p>Setting the limit to a higher value than the default of 1 limits the effect of the delta priority control events on the virtual router instance base <b>priority</b> value. This allows for multiple priority control events while minimizing the overall effect on the in-use priority.</p> <p>Changing the <i>in-use-priority-limit</i> causes an ediate re-evaluation of the in-use priority values for all virtual router instances associated with this <i>vrrp-policy-id</i> based on the current sum of all active delta control policy events.</p> <p>The <b>no</b> form of the command reverts to the default value.</p> |
| <b>Default</b>     | <b>1</b> — The lower limit of 1 for the in-use priority, as modified, by delta priority control events.                                                                                                                                                                                                                                                                                                                                                                                                                                                                                                                                                                                                                                                                                                                                                                                                                                                                                                                                                                                                                                                                                                                                                                                                                                                                                                                                                                                                                                                                                                                                                                                                                                                                                                                                                                                                              |
| <b>Parameters</b>  | <p><i>in-use-priority-limit</i> — The lower limit of the in-use priority base, as modified by priority control policies. The <i>in-use-priority-limit</i> has the same range as the non-owner virtual router instance base-priority parameter. If the result of the total delta priority control events minus the virtual router instances base-priority, is less than the <i>in-use-priority-limit</i>, the <i>in-use-priority-limit</i> value is used as the virtual router instances in-use priority value.</p> <p>Setting the <i>in-use-priority-limit</i> to a value equal to or larger than the virtual router instance <i>base-priority</i> prevents the delta priority control events from having any effect on the virtual router instance in-use priority value.</p>                                                                                                                                                                                                                                                                                                                                                                                                                                                                                                                                                                                                                                                                                                                                                                                                                                                                                                                                                                                                                                                                                                                                       |
| <b>Values</b>      | <b>1</b> — 254                                                                                                                                                                                                                                                                                                                                                                                                                                                                                                                                                                                                                                                                                                                                                                                                                                                                                                                                                                                                                                                                                                                                                                                                                                                                                                                                                                                                                                                                                                                                                                                                                                                                                                                                                                                                                                                                                                       |

### description

|                    |                                                                                                                                                                                                                                                                                                                                                      |
|--------------------|------------------------------------------------------------------------------------------------------------------------------------------------------------------------------------------------------------------------------------------------------------------------------------------------------------------------------------------------------|
| <b>Syntax</b>      | <b>description</b> <i>string</i><br><b>no description</b>                                                                                                                                                                                                                                                                                            |
| <b>Context</b>     | config>vrrp>policy <i>vrrp-policy-id</i>                                                                                                                                                                                                                                                                                                             |
| <b>Description</b> | <p>This command creates a text description stored in the configuration file for a configuration context.</p> <p>The <b>description</b> command associates a text string with a configuration context to help identify the content in the configuration file.</p> <p>The <b>no</b> form of the command removes the string from the configuration.</p> |
| <b>Default</b>     | none                                                                                                                                                                                                                                                                                                                                                 |
| <b>Parameters</b>  | <i>string</i> — The description character string. Allowed values are any string up to 80 characters long composed of printable, 7-bit ASCII characters. If the string contains special characters (#, \$, spaces, etc.), the entire string must be enclosed within double quotes.                                                                    |

### policy

|                    |                                                                                                                                                                                                                                                                                                                                                                                                                                                                                                                                                                                                                                                                                                                                                                                                                                                                                                                                                                                                                                                                                                                                                                                                                                                                                                                                                                                                                                                                                                                        |
|--------------------|------------------------------------------------------------------------------------------------------------------------------------------------------------------------------------------------------------------------------------------------------------------------------------------------------------------------------------------------------------------------------------------------------------------------------------------------------------------------------------------------------------------------------------------------------------------------------------------------------------------------------------------------------------------------------------------------------------------------------------------------------------------------------------------------------------------------------------------------------------------------------------------------------------------------------------------------------------------------------------------------------------------------------------------------------------------------------------------------------------------------------------------------------------------------------------------------------------------------------------------------------------------------------------------------------------------------------------------------------------------------------------------------------------------------------------------------------------------------------------------------------------------------|
| <b>Syntax</b>      | <b>policy</b> <i>policy-id</i> [ <b>context</b> <i>service-id</i> ]<br><b>no policy</b> <i>policy-id</i>                                                                                                                                                                                                                                                                                                                                                                                                                                                                                                                                                                                                                                                                                                                                                                                                                                                                                                                                                                                                                                                                                                                                                                                                                                                                                                                                                                                                               |
| <b>Context</b>     | config>vrrp                                                                                                                                                                                                                                                                                                                                                                                                                                                                                                                                                                                                                                                                                                                                                                                                                                                                                                                                                                                                                                                                                                                                                                                                                                                                                                                                                                                                                                                                                                            |
| <b>Description</b> | <p>This command creates the context to configure a VRRP priority control policy which is used to control the VRRP in-use priority based on priority control events. It is a parental node for the various VRRP priority control policy commands that define the policy parameters and priority event conditions.</p> <p>The virtual router instance <b>priority</b> command defines the initial or base value to be used by non-owner virtual routers. This value can be modified by assigning a VRRP priority control policy to the virtual router instance. The VRRP priority control policy can override or diminish the base priority setting to establish the actual in-use priority of the virtual router instance.</p> <p>The <b>policy</b> <i>policy-id</i> command must be created first, before it can be associated with a virtual router instance.</p> <p>Because VRRP priority control policies define conditions and events that must be maintained, they can be resource intensive. The number of policies is limited to 1000.</p> <p>The <i>policy-id</i> do not have to be consecutive integers. The range of available policy identifiers is from 1 to 9999.</p> <p>The <b>no</b> form of the command deletes the specific <i>policy-id</i> from the system.</p> <p>The <i>policy-id</i> must be removed first from all virtual router instances before the <b>no policy</b> command can be issued. If the <i>policy-id</i> is associated with a virtual router instance, the command will fail.</p> |
| <b>Default</b>     | none                                                                                                                                                                                                                                                                                                                                                                                                                                                                                                                                                                                                                                                                                                                                                                                                                                                                                                                                                                                                                                                                                                                                                                                                                                                                                                                                                                                                                                                                                                                   |

**Parameters** *vrp-policy-id* — The VRRP priority control ID expressed as a decimal integer that uniquely identifies this policy from any other VRRP priority control policy defined on the system. Up to 1000 policies can be defined.

**Values** 1 — 9999

**context** *service-id* — Specifies the service ID to which this policy applies. A value of zero (0) means that this policy does not apply to a service but applies to the base router instance.

**Values** 1 — 2147483647

## priority-event

**Syntax** [no] **priority-event**

**Context** config>vrrp>policy *vrp-priority-id*

**Description** This command creates the context to configure VRRP priority control events used to define criteria to modify the VRRP in-use priority.

A priority control event specifies an object to monitor and the effect on the in-use priority level for an associated virtual router instance.

Up to 32 priority control events can be configured within the **priority-event** node.

The **no** form of the command clears any configured priority events.

---

## Priority Policy Event Commands

### hold-clear

|                    |                                                                                                                                                                                                                                                                                                                                                                                                                                                                                                    |
|--------------------|----------------------------------------------------------------------------------------------------------------------------------------------------------------------------------------------------------------------------------------------------------------------------------------------------------------------------------------------------------------------------------------------------------------------------------------------------------------------------------------------------|
| <b>Syntax</b>      | <b>hold-clear</b> <i>seconds</i><br><b>no hold-clear</b>                                                                                                                                                                                                                                                                                                                                                                                                                                           |
| <b>Context</b>     | config>vrrp>policy>priority-event>port-down<br>config>vrrp>policy>priority-event>lag-port-down<br>config>vrrp>policy>priority-event>route-unknown                                                                                                                                                                                                                                                                                                                                                  |
| <b>Description</b> | <p>This command configures the hold clear time for the event. The <i>seconds</i> parameter specifies the hold-clear time, the amount of time in seconds by which the effect of a cleared event on the associated virtual router instance is delayed.</p> <p>The hold-clear time is used to prevent black hole conditions when a virtual router instance advertises itself as a master before other conditions associated with the cleared event have had a chance to enter a forwarding state.</p> |
| <b>Default</b>     | no hold-clear                                                                                                                                                                                                                                                                                                                                                                                                                                                                                      |
| <b>Parameters</b>  | <p><i>seconds</i> — Specifies the amount of time in seconds by which the effect of a cleared event on the associated virtual router instance is delayed.</p> <p><b>Values</b>     0 — 86400</p>                                                                                                                                                                                                                                                                                                    |

### hold-set

|                    |                                                                                                                                                                                                                                                                                                                                                                                                                                                                                                                                                                                                                                                                                                                                                                                                                                                                                                                                                                                                                   |
|--------------------|-------------------------------------------------------------------------------------------------------------------------------------------------------------------------------------------------------------------------------------------------------------------------------------------------------------------------------------------------------------------------------------------------------------------------------------------------------------------------------------------------------------------------------------------------------------------------------------------------------------------------------------------------------------------------------------------------------------------------------------------------------------------------------------------------------------------------------------------------------------------------------------------------------------------------------------------------------------------------------------------------------------------|
| <b>Syntax</b>      | <b>hold-set</b> <i>seconds</i><br><b>no hold-set</b>                                                                                                                                                                                                                                                                                                                                                                                                                                                                                                                                                                                                                                                                                                                                                                                                                                                                                                                                                              |
| <b>Context</b>     | config>vrrp>policy>priority-event>host-unreachable<br>config>vrrp>policy>priority-event>lag-port-down<br>config>vrrp>policy>priority-event>port-down<br>config>vrrp>policy>priority-event>route-unknown                                                                                                                                                                                                                                                                                                                                                                                                                                                                                                                                                                                                                                                                                                                                                                                                           |
| <b>Description</b> | <p>This command specifies the amount of time that must pass before the set state for a VRRP priority control event can transition to the cleared state to dampen flapping events. A flapping event continually transitions between clear and set.</p> <p>The <b>hold-set</b> command is used to dampen the effect of a flapping event. The <b>hold-set</b> value is loaded into a hold set timer that prevents a set event from transitioning to the cleared state until it expires.</p> <p>Each time an event transitions between cleared and set, the timer is loaded and begins a countdown to zero. When the timer reaches zero, the event is allowed to enter the cleared state. Entering the cleared state is dependent on the object controlling the event, conforming to the requirements defined in the event itself. It is possible, on some event types, to have another set action reload the hold-set timer. This extends the amount of time that must expire before entering the cleared state.</p> |

Once the hold set timer expires and the event meets the cleared state requirements or is set to a lower threshold, the current set effect on the virtual router instances in-use priority can be removed. As with **lag-port-down** events, this may be a decrease in the set effect if the *clearing* amounts to a lower set threshold.

The **hold-set** command can be executed at anytime. If the hold-set timer value is configured larger than the new *seconds* setting, the timer is loaded with the new **hold-set** value.

The **no** form of the command reverts the default value.

|                   |                                                                                                                                                                                                                                                                                                                                                     |
|-------------------|-----------------------------------------------------------------------------------------------------------------------------------------------------------------------------------------------------------------------------------------------------------------------------------------------------------------------------------------------------|
| <b>Default</b>    | 0 — The hold-set timer is disabled so event transitions are processed ediatly.                                                                                                                                                                                                                                                                      |
| <b>Parameters</b> | <p><i>seconds</i> — The number of seconds that the hold set timer waits after an event enters a set state or enters a higher threshold set state, depending on the event type.</p> <p>The value of 0 disables the hold set timer, preventing any delay in processing lower set thresholds or cleared events.</p> <p><b>Values</b>     0 — 86400</p> |

## priority

|                    |                                                                                                                                                                                                                                                                                                                                                                                                                                                                                                                                                                                                                                                                                                                                                                                                                                                                                                                                                                                                                                                                                                                                                                                                                                                                                                                                                                                                                                                                                                                                                                                                                                                                  |
|--------------------|------------------------------------------------------------------------------------------------------------------------------------------------------------------------------------------------------------------------------------------------------------------------------------------------------------------------------------------------------------------------------------------------------------------------------------------------------------------------------------------------------------------------------------------------------------------------------------------------------------------------------------------------------------------------------------------------------------------------------------------------------------------------------------------------------------------------------------------------------------------------------------------------------------------------------------------------------------------------------------------------------------------------------------------------------------------------------------------------------------------------------------------------------------------------------------------------------------------------------------------------------------------------------------------------------------------------------------------------------------------------------------------------------------------------------------------------------------------------------------------------------------------------------------------------------------------------------------------------------------------------------------------------------------------|
| <b>Syntax</b>      | <b>priority</b> <i>priority-level</i> [{ <b>delta</b>   <b>explicit</b> }]<br><b>no priority</b>                                                                                                                                                                                                                                                                                                                                                                                                                                                                                                                                                                                                                                                                                                                                                                                                                                                                                                                                                                                                                                                                                                                                                                                                                                                                                                                                                                                                                                                                                                                                                                 |
| <b>Context</b>     | <pre>config&gt;vrrp&gt;policy&gt;priority-event&gt;host-unreachable <i>ip-addr</i> config&gt;vrrp&gt;policy&gt;priority-event&gt;lag-port-down <i>lag-id</i>&gt;number-down <i>number-of-lag-ports-down</i> config&gt;vrrp&gt;policy&gt;priority-event&gt;port-down <i>port-id</i> [<i>channel-id</i>] config&gt;vrrp&gt;policy&gt;priority-event&gt;route-unknown <i>prefix/mask-length</i></pre>                                                                                                                                                                                                                                                                                                                                                                                                                                                                                                                                                                                                                                                                                                                                                                                                                                                                                                                                                                                                                                                                                                                                                                                                                                                               |
| <b>Description</b> | <p>This command controls the effect the set event has on the virtual router instance in-use priority.</p> <p>When the event is set, the <i>priority-level</i> is either subtracted from the base priority of each virtual router instance or it defines the explicit in-use priority value of the virtual router instance depending on whether the <b>delta</b> or <b>explicit</b> keywords are specified.</p> <p>Multiple set events in the same policy have interaction constraints:</p> <ul style="list-style-type: none"> <li>• If any set events have an explicit <b>priority</b> value, all the delta <b>priority</b> values are ignored.</li> <li>• The set event with the lowest explicit <b>priority</b> value defines the in-use priority that are used by all virtual router instances associated with the policy.</li> <li>• If no set events have an explicit <b>priority</b> value, all the set events delta <b>priority</b> values are added and subtracted from the base priority value defined on each virtual router instance associated with the policy.</li> <li>• If the delta priorities sum exceeds the <b>delta-in-use-limit</b> parameter, then the <b>delta-in-use-limit</b> parameter is used as the value subtracted from the base priority value defined on each virtual router instance associated with the policy.</li> </ul> <p>If the <b>priority</b> command is not configured on the priority event, the <i>priority-value</i> defaults to 0 and the qualifier keyword defaults to <b>delta</b>, thus, there is no impact on the in-use priority.</p> <p>The <b>no</b> form of the command reverts to the default values.</p> |

## Priority Policy Event Commands

**Default** 0 delta — The set event will subtract 0 from the base priority (no effect).

**Parameters** *priority-level* — The priority level adjustment value expressed as a decimal integer.

**Values** 0 — 254

**delta | explicit** — Configures what effect the *priority-level* will have on the base priority value.

When **delta** is specified, the *priority-level* value is subtracted from the associated virtual router instance's base priority when the event is set and no explicit events are set. The sum of the priority event *priority-level* values on all set delta priority events are subtracted from the virtual router base priority to derive the virtual router instance in-use priority value. If the **delta** priority event is cleared, the *priority-level* is no longer used in the in-use priority calculation.

When **explicit** is specified, the *priority-level* value is used to override the base priority of the virtual router instance if the priority event is set and no other **explicit** priority event is set with a lower *priority-level*. The set **explicit** priority value with the lowest *priority-level* determines the actual in-use protocol value for all virtual router instances associated with the policy.

**Default** delta

**Values** delta, explicit



---

## Priority Policy Port Down Event Commands

### port-down

|                    |                                                                                                                                                                                                                                                                                                                                                                                                                                                                                                                                                                                                                                                                                                                                                                                                                                                                                                                                                                                                                                                                                                                                                                                                                                                                                                                                                                                                                                                                                                                                                                                                                                                                                                                                                                                                                                                                                                                                                                                                                                                                                                                                                                                                                                                                                                                                                                                                                                                                                                                                                                                                                           |
|--------------------|---------------------------------------------------------------------------------------------------------------------------------------------------------------------------------------------------------------------------------------------------------------------------------------------------------------------------------------------------------------------------------------------------------------------------------------------------------------------------------------------------------------------------------------------------------------------------------------------------------------------------------------------------------------------------------------------------------------------------------------------------------------------------------------------------------------------------------------------------------------------------------------------------------------------------------------------------------------------------------------------------------------------------------------------------------------------------------------------------------------------------------------------------------------------------------------------------------------------------------------------------------------------------------------------------------------------------------------------------------------------------------------------------------------------------------------------------------------------------------------------------------------------------------------------------------------------------------------------------------------------------------------------------------------------------------------------------------------------------------------------------------------------------------------------------------------------------------------------------------------------------------------------------------------------------------------------------------------------------------------------------------------------------------------------------------------------------------------------------------------------------------------------------------------------------------------------------------------------------------------------------------------------------------------------------------------------------------------------------------------------------------------------------------------------------------------------------------------------------------------------------------------------------------------------------------------------------------------------------------------------------|
| <b>Syntax</b>      | [no] <b>port-down</b> <i>port-id</i>                                                                                                                                                                                                                                                                                                                                                                                                                                                                                                                                                                                                                                                                                                                                                                                                                                                                                                                                                                                                                                                                                                                                                                                                                                                                                                                                                                                                                                                                                                                                                                                                                                                                                                                                                                                                                                                                                                                                                                                                                                                                                                                                                                                                                                                                                                                                                                                                                                                                                                                                                                                      |
| <b>Context</b>     | config>vrrp>policy>priority-event                                                                                                                                                                                                                                                                                                                                                                                                                                                                                                                                                                                                                                                                                                                                                                                                                                                                                                                                                                                                                                                                                                                                                                                                                                                                                                                                                                                                                                                                                                                                                                                                                                                                                                                                                                                                                                                                                                                                                                                                                                                                                                                                                                                                                                                                                                                                                                                                                                                                                                                                                                                         |
| <b>Description</b> | <p>This command configures a port down priority control event that monitors the operational state of a port or SONET/SDH channel. When the port or channel enters the operational down state, the event is considered set. When the port or channel enters the operational up state, the event is considered cleared.</p> <p>Multiple unique <b>port-down</b> event nodes can be configured within the <b>priority-event</b> context up to the overall limit of 32 events. Up to 32 events can be defined in any combination of types.</p> <p>The <b>port-down</b> command can reference an arbitrary port or channel. The port or channel does not need to be pre-provisioned or populated within the system. The operational state of the <b>port-down</b> event will indicate:</p> <ul style="list-style-type: none"> <li>• Set – non-provisioned</li> <li>• Set – not populated</li> <li>• Set – down</li> <li>• Cleared – up</li> </ul> <p>When the port or channel is provisioned, populated, or enters the operationally up or down state, the event operational state is updated appropriately.</p> <p>When the event enters the operationally down, non-provisioned, or non-populated state, the event is considered to be set. When an event transitions from clear to set, the set is processed ediatly and must be reflected in the associated virtual router instances in-use priority value. As the event transitions from cleared to set, a hold set timer is loaded with the value configured by the events <b>hold-set</b> command. This timer prevents the event from clearing until it expires, damping the effect of event flapping. If the event clears and becomes set again before the hold set timer expires, the timer is reset to the <b>hold-set</b> value, extending the time before another clear can take effect.</p> <p>When the event enters the operationally up state, the event is considered to be cleared. Once the events <b>hold-set</b> expires, the effects of the events <b>priority</b> value are ediatly removed from the in-use priority of all associated virtual router instances.</p> <p>The actual effect on the virtual router instance in-use priority value depends on the defined event priority and its delta or explicit nature.</p> <p>The <b>no</b> form of the command deletes the specific port or channel monitoring event. The event may be removed at anytime. When the event is removed, the in-use priority of all associated virtual router instances will be re-evaluated. The events <b>hold-set</b> timer has no effect on the removal procedure.</p> |
| <b>Default</b>     | <b>no port-down</b> — No port down priority control events are defined.                                                                                                                                                                                                                                                                                                                                                                                                                                                                                                                                                                                                                                                                                                                                                                                                                                                                                                                                                                                                                                                                                                                                                                                                                                                                                                                                                                                                                                                                                                                                                                                                                                                                                                                                                                                                                                                                                                                                                                                                                                                                                                                                                                                                                                                                                                                                                                                                                                                                                                                                                   |
| <b>Parameters</b>  | <i>port-id</i> — The port ID of the port monitored by the VRRP priority control event.                                                                                                                                                                                                                                                                                                                                                                                                                                                                                                                                                                                                                                                                                                                                                                                                                                                                                                                                                                                                                                                                                                                                                                                                                                                                                                                                                                                                                                                                                                                                                                                                                                                                                                                                                                                                                                                                                                                                                                                                                                                                                                                                                                                                                                                                                                                                                                                                                                                                                                                                    |

## Priority Policy Port Down Event Commands

The *port-id* can only be monitored by a single event in this policy. The port can be monitored by multiple VRRP priority control policies. A port and a specific channel on the port are considered to be separate entities. A port and a channel on the port can be monitored by separate events in the same policy.

|               |                                   |                                 |
|---------------|-----------------------------------|---------------------------------|
| <b>Values</b> | port-id                           | <i>slot/mda/port[.channel]</i>  |
|               | aps-id                            | <i>aps-group-id[.channel]</i>   |
|               | aps                               | keyword                         |
|               | group-id                          | 1 — 64                          |
|               | bundle-type-slot/mda.<bundle-num> |                                 |
|               | bundle                            | keyword                         |
|               | type                              | ima, ppp                        |
|               | bundle-num                        | 1 —256                          |
|               | ccag-id                           | <i>ccag-id.path-id[cc-type]</i> |
|               | ccag                              | keyword                         |
|               | id                                | 1 — 8                           |
|               | path-id                           | a, b                            |
|               | cc-type                           | .sap-net, .net-sap              |

The POS channel on the port monitored by the VRRP priority control event. The *port-id.channel-id* can only be monitored by a single event in this policy. The channel can be monitored by multiple VRRP priority control policies. A port and a specific channel on the port are considered to be separate entities. A port and a channel on the port can be monitored by separate events in the same policy.

If the port is provisioned, but the *channel* does not exist or the port has not been populated, the appropriate event operational state is Set – non-populated.

If the port is not provisioned, the event operational state is Set – non-provisioned.

If the POS interface is configured as a clear-channel, the *channel-id* is 1 and the channel bandwidth is the full bandwidth of the port.

---

## Priority Policy LAG Events Commands

### lag-port-down

|                    |                                                                                                                                                                                                                                                                                                                                                                                                                                                                                                                                                                                                                                                                                                                                                                                                                                                                                                                                                                                                                                                                                                                                                                                                                                                                                                                                                                                                                                                                                                                                                                                                                                                                                                                                                                                                                                                                                                                                                                                                                                                                                                                                                                                                                                                                                                                                                                                       |
|--------------------|---------------------------------------------------------------------------------------------------------------------------------------------------------------------------------------------------------------------------------------------------------------------------------------------------------------------------------------------------------------------------------------------------------------------------------------------------------------------------------------------------------------------------------------------------------------------------------------------------------------------------------------------------------------------------------------------------------------------------------------------------------------------------------------------------------------------------------------------------------------------------------------------------------------------------------------------------------------------------------------------------------------------------------------------------------------------------------------------------------------------------------------------------------------------------------------------------------------------------------------------------------------------------------------------------------------------------------------------------------------------------------------------------------------------------------------------------------------------------------------------------------------------------------------------------------------------------------------------------------------------------------------------------------------------------------------------------------------------------------------------------------------------------------------------------------------------------------------------------------------------------------------------------------------------------------------------------------------------------------------------------------------------------------------------------------------------------------------------------------------------------------------------------------------------------------------------------------------------------------------------------------------------------------------------------------------------------------------------------------------------------------------|
| <b>Syntax</b>      | <code>[no] lag-port-down lag-id</code>                                                                                                                                                                                                                                                                                                                                                                                                                                                                                                                                                                                                                                                                                                                                                                                                                                                                                                                                                                                                                                                                                                                                                                                                                                                                                                                                                                                                                                                                                                                                                                                                                                                                                                                                                                                                                                                                                                                                                                                                                                                                                                                                                                                                                                                                                                                                                |
| <b>Context</b>     | <code>config&gt;vrrp&gt;policy&gt;priority-event</code>                                                                                                                                                                                                                                                                                                                                                                                                                                                                                                                                                                                                                                                                                                                                                                                                                                                                                                                                                                                                                                                                                                                                                                                                                                                                                                                                                                                                                                                                                                                                                                                                                                                                                                                                                                                                                                                                                                                                                                                                                                                                                                                                                                                                                                                                                                                               |
| <b>Description</b> | <p>This command creates the context to configure Link Aggregation Group (LAG) priority control events that monitor the operational state of the links in the LAG.</p> <p>The <b>lag-port-down</b> command configures a priority control event. The event monitors the operational state of each port in the specified LAG. When one or more of the ports enter the operational down state, the event is considered to be set. When all the ports enter the operational up state, the event is considered to be clear. As ports enter the operational up state, any previous set threshold that represents more down ports is considered cleared, while the event is considered to be set.</p> <p>Multiple unique <b>lag-port-down</b> event nodes can be configured within the <b>priority-event</b> node up to the maximum of 32 events.</p> <p>The <b>lag-port-down</b> command can reference an arbitrary LAG. The <i>lag-id</i> does have to already exist within the system. The operational state of the <b>lag-port-down</b> event will indicate:</p> <ul style="list-style-type: none"><li>• Set – non-existent</li><li>• Set – one port down</li><li>• Set – two ports down</li><li>• Set – three ports down</li><li>• Set – four ports down</li><li>• Set – five ports down</li><li>• Set – six ports down</li><li>• Set – seven ports down</li><li>• Set – eight ports down</li><li>• Cleared – all ports up</li></ul> <p>When the <i>lag-id</i> is created, or a port in <i>lag-id</i> becomes operationally up or down, the event operational state must be updated appropriately.</p> <p>When one or more of the LAG composite ports enters the operationally down state or the <i>lag-id</i> is deleted or does not exist, the event is considered to be set. When an event transitions from clear to set, the set is processed ediatly and must be reflected in the associated virtual router instances in-use priority value. As the event transitions from clear to set, a hold set timer is loaded with the value configured by the events <b>hold-set</b> command. This timer prevents the event from clearing until it expires, damping the effect of event flapping. If the event clears and becomes set again before the hold set timer expires, the timer is reset to the <b>hold-set</b> value, extending the time before another clear can take effect.</p> |

The **lag-port-down** event is considered to have a tiered event set state. While the priority impact per number of ports down is totally configurable, as more ports go down, the effect on the associated virtual router instances in-use priority is expected to increase (lowering the priority). When each configured threshold is crossed, any higher thresholds are considered further event sets and are processed ediatly with the hold set timer reset to the configured value of the **hold-set** command. As the thresholds are crossed in the opposite direction (fewer ports down then previously), the priority effect of the event is not processed until the hold set timer expires. If the number of ports down threshold again increases before the hold set timer expires, the timer is only reset to the **hold-set** value if the number of ports down is equal to or greater than the threshold that set the timer.

The event contains **number-down** nodes that define the priority delta or explicit value to be used based on the number of LAG composite ports that are in the operationally down state. These nodes represent the event set thresholds. Not all port down thresholds must be configured. As the number of down ports increase, the **number-down** *ports-down* node that expresses a value equal to or less than the number of down ports describes the delta or explicit priority value to be applied.

The **no** form of the command deletes the specific LAG monitoring event. The event can be removed at anytime. When the event is removed, the in-use priority of all associated virtual router instances must be reevaluated. The events **hold-set** timer has no effect on the removal procedure.

**Default** no lag-port-down — No LAG priority control events are created.

**Parameters** *lag-id* — The LAG ID that the specific event is to monitor expressed as a decimal integer. The *lag-id* can only be monitored by a single event in this policy. The LAG may be monitored by multiple VRRP priority control policies. A port within the LAG and the LAG ID itself are considered to be separate entities. A composite port may be monitored with the **port-down** event while the *lag-id* the port is in is monitored by a **lag-port-down** event in the same policy.

**Values** 1 — 200

## number-down

**Syntax** [**no**] **number-down** *number-of-lag-ports-down*

**Context** config>vrrp>policy>priority-event>lag-port-down *lag-id*

**Description** This command creates a context to configure an event set threshold within a lag-port-down priority control event.

The **number-down** command defines a sub-node within the **lag-port-down** event and is uniquely identified with the *number-of-lag-ports-down* parameter. Each **number-down** node within the same **lag-port-down** event node must have a unique *number-of-lag-ports-down* value. Each **number-down** node has its own **priority** command that takes effect whenever that node represents the current threshold.

The total number of sub-nodes (uniquely identified by the *number-of-lag-ports-down* parameter) allowed in a single **lag-port-down** event is equal to the total number of possible physical ports allowed in a LAG.

A **number-down** node is not required for each possible number of ports that could be down. The active threshold is always the closest lower threshold. When the number of ports down equals a given threshold, that is the active threshold.

The **no** form of the command deletes the event set threshold. The threshold may be removed at any time. If the removed threshold is the current active threshold, the event set thresholds must be re-evaluated after removal.

**Default** no number-down — No threshold for the LAG priority event is created.

**Parameters** *number-of-lag-ports-down* — The number of LAG ports down to create a set event threshold. This is the active threshold when the number of down ports in the LAG equals or exceeds *number-of-lag-ports-down*, but does not equal or exceed the next highest configured *number-of-lag-ports-down*.

**Values** 1 — 8

---

## Priority Policy Host Unreachable Event Commands

### drop-count

|                    |                                                                                                                                                                                                                                                                                                                                                                                                                                                                                                                                                                                                                                                                                                                                                                                                                                                                                                                                                                                                                                                                                                                                  |
|--------------------|----------------------------------------------------------------------------------------------------------------------------------------------------------------------------------------------------------------------------------------------------------------------------------------------------------------------------------------------------------------------------------------------------------------------------------------------------------------------------------------------------------------------------------------------------------------------------------------------------------------------------------------------------------------------------------------------------------------------------------------------------------------------------------------------------------------------------------------------------------------------------------------------------------------------------------------------------------------------------------------------------------------------------------------------------------------------------------------------------------------------------------|
| <b>Syntax</b>      | <b>drop-count</b> <i>consecutive-failures</i><br><b>no drop-count</b>                                                                                                                                                                                                                                                                                                                                                                                                                                                                                                                                                                                                                                                                                                                                                                                                                                                                                                                                                                                                                                                            |
| <b>Context</b>     | config>vrrp <i>vrrp-policy-id</i> >priority-event>host-unreachable <i>ip-addr</i>                                                                                                                                                                                                                                                                                                                                                                                                                                                                                                                                                                                                                                                                                                                                                                                                                                                                                                                                                                                                                                                |
| <b>Description</b> | <p>This command configures the number of consecutively sent ICMP echo request messages that must fail before the host unreachable priority control event is set.</p> <p>The <b>drop-count</b> command is used to define the number of consecutive message send attempts that must fail for the <b>host-unreachable</b> priority event to enter the set state. Each unsuccessful attempt increments the event's consecutive message drop counter. With each successful attempt, the event's consecutive message drop counter resets to zero.</p> <p>If the event's consecutive message drop counter reaches the <b>drop-count</b> value, the <b>host-unreachable</b> priority event enters the set state.</p> <p>The event's <b>hold-set</b> value defines how long the event must stay in the set state even when a successful message attempt clears the consecutive drop counter. The event is not cleared until the consecutive drop counter is less than the <b>drop-count</b> value and the <b>hold-set</b> timer has a value of zero (expired).</p> <p>The <b>no</b> form of the command reverts to the default value.</p> |
| <b>Default</b>     | 3 — 3 consecutive ICMP echo request failures are required before the host unreachable priority control event is set.                                                                                                                                                                                                                                                                                                                                                                                                                                                                                                                                                                                                                                                                                                                                                                                                                                                                                                                                                                                                             |
| <b>Parameters</b>  | <p><i>consecutive-failures</i> — The number of ICMP echo request message attempts that must fail for the event to enter the set state. It also defines the threshold so a lower consecutive number of failures can clear the event state.</p> <p><b>Values</b>     1 — 60</p>                                                                                                                                                                                                                                                                                                                                                                                                                                                                                                                                                                                                                                                                                                                                                                                                                                                    |

### host-unreachable

|                    |                                                                                                                                                                                                                                                                                                                                                                                                                                                                                                                                                                                                                    |
|--------------------|--------------------------------------------------------------------------------------------------------------------------------------------------------------------------------------------------------------------------------------------------------------------------------------------------------------------------------------------------------------------------------------------------------------------------------------------------------------------------------------------------------------------------------------------------------------------------------------------------------------------|
| <b>Syntax</b>      | <b>[no] host-unreachable</b> <i>ip-address</i>                                                                                                                                                                                                                                                                                                                                                                                                                                                                                                                                                                     |
| <b>Context</b>     | config>vrrp>policy>priority-event                                                                                                                                                                                                                                                                                                                                                                                                                                                                                                                                                                                  |
| <b>Description</b> | <p>This command creates the context to configure a host unreachable priority control event to monitor the ability to receive ICMP echo reply packets from an IP host address.</p> <p>A host unreachable priority event creates a continuous ICMP echo request (ping) probe to the specified <i>ip-address</i>. If a ping fails, the event is considered to be set. If a ping is successful, the event is considered to be cleared.</p> <p>Multiple unique (different <i>ip-address</i>) <b>host-unreachable</b> event nodes can be configured within the <b>priority-event</b> node to a maximum of 32 events.</p> |

The **host-unreachable** command can reference any valid local or remote IP address. The ability to ARP a local IP address or find a remote IP address within a route prefix in the route table is considered part of the monitoring procedure. The **host-unreachable** priority event operational state tracks ARP or route table entries dynamically appearing and disappearing from the system. The operational state of the **host-unreachable** event can be one of the following:

| Host Unreachable Operational State | Description                                                                                                                           |
|------------------------------------|---------------------------------------------------------------------------------------------------------------------------------------|
| Set – no ARP                       | No ARP address found for <i>ip-addr</i> for <b>drop-count</b> consecutive attempts. Only applies when IP address is considered local. |
| Set – no route                     | No route exists for <i>ip-addr</i> for <b>drop-count</b> consecutive attempts. Only when IP address is considered remote.             |
| Set – host unreachable             | ICMP host unreachable message received for <b>drop-count</b> consecutive attempts.                                                    |
| Set – no reply                     | ICMP echo request timed out for <b>drop-count</b> consecutive attempts.                                                               |
| Set – reply received               | Last ICMP echo request attempt received an echo reply but historically not able to clear the event.                                   |
| Cleared – no ARP                   | No ARP address found for <i>ip-addr</i> - not enough failed attempts to set the event.                                                |
| Cleared – no route                 | No route exists for <i>ip-addr</i> - not enough failed attempts to set the event.                                                     |
| Cleared – host unreachable         | ICMP host unreachable message received - not enough failed attempts to set the event.                                                 |
| Cleared – no reply                 | ICMP echo request timed out - not enough failed attempts to set the event.                                                            |
| Cleared – reply received           | Event is cleared - last ICMP echo request received an echo reply.                                                                     |

Unlike other priority event types, the **host-unreachable** priority event monitors a repetitive task. A historical evaluation is performed on the success rate of receiving ICMP echo reply messages. The operational state takes its cleared and set orientation from the historical success rate. The informational portion of the operational state is derived from the last attempt's result. It is possible for the previous attempt to fail while the operational state is still cleared due to an insufficient number of failures to cause it to become set. It is also possible for the state to be set while the previous attempt was successful.

When an event transitions from clear to set, the set is processed ediatly and must be reflected in the associated virtual router instances in-use priority value. As the event transitions from clear to set, a hold set timer is loaded with the value configured by the events **hold-set** command. This timer prevents the event from clearing until it expires, damping the effect of event flapping. If the event clears and becomes set again before the hold set timer expires, the timer is reset to the **hold-set** value, extending the time before another clear can take effect.

## Priority Policy Host Unreachable Event Commands

The hold-set timer be expired and the historical success rate must be met prior to the event operational state becoming cleared.

The **no** form of the command deletes the specific IP host monitoring event. The event may be deleted at anytime. When the event is deleted, the in-use priority of all associated virtual router instances must be reevaluated. The event's **hold-set** timer has no effect on the removal procedure.

**Default** **no host-unreachable** — No host unreachable priority events are created.

**Parameters** *ip-addr* — The IP address of the host for which the specific event will monitor connectivity. The *ip-addr* can only be monitored by a single event in this policy. The IP address can be monitored by multiple VRRP priority control policies. The IP address can be used in one or multiple **ping** requests. Each VRRP priority control **host-unreachable** and **ping** destined to the same *ip-addr* is uniquely identified on a per message basis. Each session originates a unique identifier value for the ICMP echo request messages it generates. This allows received ICMP echo reply messages to be directed to the appropriate sending application.

**Values**

|                |                                                      |
|----------------|------------------------------------------------------|
| ipv4-address : | a.b.c.d                                              |
| ipv6-address : | x:x:x:x:x:x:x[-interface]                            |
| x:             | [0..FFFF]H                                           |
| interface:     | 32 chars maximum, mandatory for link local addresses |

Note that the link-local IPv6 address must have an interface name specified. The global IPv6 address must not have an interface name specified.

## interval

**Syntax** **interval** *seconds*  
**no interval**

**Context** config>vrrp *vrrp-policy-id*>priority-event>host-unreachable *ip-addr*

**Description** This command configures the number of seconds between host unreachable priority event ICMP echo request messages directed to the host IP address.

The **no** form of the command reverts to the default value.

**Default** 1

**Parameters** *seconds* — The number of seconds between the ICMP echo request messages sent to the host IP address for the host unreachable priority event.

**Values** 1 — 60



## timeout

|                    |                                                                                                                                                                                                                                                                                                                                                                                                                                                                                                                                                                                                                                                                                                                                                                                                                                                                                                                                                                                                                                                                                                                                                                                                                                                                                                                                                                                                                                                                                                                                                                                                                                                                                                                                                                                                                                                                                                                                                                                                                                                                                                                                                                                                                                                                                                                                                                                            |
|--------------------|--------------------------------------------------------------------------------------------------------------------------------------------------------------------------------------------------------------------------------------------------------------------------------------------------------------------------------------------------------------------------------------------------------------------------------------------------------------------------------------------------------------------------------------------------------------------------------------------------------------------------------------------------------------------------------------------------------------------------------------------------------------------------------------------------------------------------------------------------------------------------------------------------------------------------------------------------------------------------------------------------------------------------------------------------------------------------------------------------------------------------------------------------------------------------------------------------------------------------------------------------------------------------------------------------------------------------------------------------------------------------------------------------------------------------------------------------------------------------------------------------------------------------------------------------------------------------------------------------------------------------------------------------------------------------------------------------------------------------------------------------------------------------------------------------------------------------------------------------------------------------------------------------------------------------------------------------------------------------------------------------------------------------------------------------------------------------------------------------------------------------------------------------------------------------------------------------------------------------------------------------------------------------------------------------------------------------------------------------------------------------------------------|
| <b>Syntax</b>      | <b>timeout</b> <i>seconds</i><br><b>no timeout</b>                                                                                                                                                                                                                                                                                                                                                                                                                                                                                                                                                                                                                                                                                                                                                                                                                                                                                                                                                                                                                                                                                                                                                                                                                                                                                                                                                                                                                                                                                                                                                                                                                                                                                                                                                                                                                                                                                                                                                                                                                                                                                                                                                                                                                                                                                                                                         |
| <b>Context</b>     | config>vrrp <i>vrrp-policy-id</i> >priority-event>host-unreachable <i>ip-addr</i>                                                                                                                                                                                                                                                                                                                                                                                                                                                                                                                                                                                                                                                                                                                                                                                                                                                                                                                                                                                                                                                                                                                                                                                                                                                                                                                                                                                                                                                                                                                                                                                                                                                                                                                                                                                                                                                                                                                                                                                                                                                                                                                                                                                                                                                                                                          |
| <b>Description</b> | <p>This command defines the time, in seconds, that must pass before considering the far-end IP host unresponsive to an outstanding ICMP echo request message.</p> <p>The <b>timeout</b> value is not directly related to the configured <b>interval</b> parameter. The <b>timeout</b> value may be larger, equal, or smaller, relative to the <b>interval</b> value.</p> <p>If the <b>timeout</b> value is larger than the <b>interval</b> value, multiple ICMP echo request messages may be outstanding. Every ICMP echo request message transmitted to the far end host is tracked individually according to the message identifier and sequence number.</p> <p>With each consecutive attempt to send an ICMP echo request message, the timeout timer is loaded with the <b>timeout</b> value. The timer decrements until:</p> <ul style="list-style-type: none"> <li>• An internal error occurs preventing message sending (request unsuccessful).</li> <li>• An internal error occurs preventing message reply receiving (request unsuccessful).</li> <li>• A required route table entry does not exist to reach the IP address (request unsuccessful).</li> <li>• A required ARP entry does not exist and ARP request timed out (request unsuccessful).</li> <li>• A valid reply is received (request successful).</li> </ul> <p>Note that it is possible for a required ARP request to succeed or timeout after the message timeout timer expires. In this case, the message request is unsuccessful.</p> <p>If an ICMP echo reply message is not received prior to the <b>timeout</b> period for a given ICMP echo request, that request is considered to be dropped and increments the consecutive message drop counter for the priority event.</p> <p>If an ICMP echo reply message with the same sequence number as an outstanding ICMP echo request message is received prior to that message timing out, the request is considered successful. The consecutive message drop counter is cleared and the request message no longer is outstanding.</p> <p>If an ICMP Echo Reply message with a sequence number equal to an ICMP echo request sequence number that had previously timed out is received, that reply is silently discarded while incrementing the priority event reply discard counter.</p> <p>The <b>no</b> form of the command reverts to the default value.</p> |
| <b>Default</b>     | 1                                                                                                                                                                                                                                                                                                                                                                                                                                                                                                                                                                                                                                                                                                                                                                                                                                                                                                                                                                                                                                                                                                                                                                                                                                                                                                                                                                                                                                                                                                                                                                                                                                                                                                                                                                                                                                                                                                                                                                                                                                                                                                                                                                                                                                                                                                                                                                                          |
| <b>Parameters</b>  | <i>seconds</i> — The number of seconds before an ICMP echo request message is timed out. Once a message is timed out, a reply with the same identifier and sequence number is discarded.                                                                                                                                                                                                                                                                                                                                                                                                                                                                                                                                                                                                                                                                                                                                                                                                                                                                                                                                                                                                                                                                                                                                                                                                                                                                                                                                                                                                                                                                                                                                                                                                                                                                                                                                                                                                                                                                                                                                                                                                                                                                                                                                                                                                   |
| <b>Values</b>      | 1 — 60                                                                                                                                                                                                                                                                                                                                                                                                                                                                                                                                                                                                                                                                                                                                                                                                                                                                                                                                                                                                                                                                                                                                                                                                                                                                                                                                                                                                                                                                                                                                                                                                                                                                                                                                                                                                                                                                                                                                                                                                                                                                                                                                                                                                                                                                                                                                                                                     |

---

## Priority Policy Route Unknown Event Commands

### less-specific

|                    |                                                                                                                                                                                                                                                                                                                                                                                                                                                                                                                                                                                                                                                                                                                                                                                                                                                                                                                                                                                                                                                                                                                                                                                                                                                                                                   |
|--------------------|---------------------------------------------------------------------------------------------------------------------------------------------------------------------------------------------------------------------------------------------------------------------------------------------------------------------------------------------------------------------------------------------------------------------------------------------------------------------------------------------------------------------------------------------------------------------------------------------------------------------------------------------------------------------------------------------------------------------------------------------------------------------------------------------------------------------------------------------------------------------------------------------------------------------------------------------------------------------------------------------------------------------------------------------------------------------------------------------------------------------------------------------------------------------------------------------------------------------------------------------------------------------------------------------------|
| <b>Syntax</b>      | <code>[no] less-specific [allow-default]</code>                                                                                                                                                                                                                                                                                                                                                                                                                                                                                                                                                                                                                                                                                                                                                                                                                                                                                                                                                                                                                                                                                                                                                                                                                                                   |
| <b>Context</b>     | <code>config&gt;vrrp&gt;policy&gt;priority-event&gt;route-unknown <i>prefix/mask-length</i></code>                                                                                                                                                                                                                                                                                                                                                                                                                                                                                                                                                                                                                                                                                                                                                                                                                                                                                                                                                                                                                                                                                                                                                                                                |
| <b>Description</b> | <p>This command allows a CIDR shortest match hit on a route prefix that contains the IP route prefix associated with the route unknown priority event.</p> <p>The <b>less-specific</b> command modifies the search parameters for the IP route prefix specified in the <b>route-unknown</b> priority event. Specifying <b>less-specific</b> allows a CIDR shortest match hit on a route prefix that contains the IP route prefix.</p> <p>The <b>less-specific</b> command eases the RTM lookup criteria when searching for the <i>prefix/mask-length</i>. When the <b>route-unknown</b> priority event sends the prefix to the RTM (as if it was a destination lookup), the result route table prefix (if a result is found) is checked to see if it is an exact match or a less specific match. The <b>less-specific</b> command enables a less specific route table prefix to match the configured prefix. When <b>less-specific</b> is not specified, a less specific route table prefix fails to match the configured prefix. The <b>allow-default</b> optional parameter extends the <b>less-specific</b> match to include the default route (0.0.0.0).</p> <p>The <b>no</b> form of the command prevents RTM lookup results that are less specific than the route prefix from matching.</p> |
| <b>Default</b>     | no less-specific — The route unknown priority events requires an exact prefix/mask match.                                                                                                                                                                                                                                                                                                                                                                                                                                                                                                                                                                                                                                                                                                                                                                                                                                                                                                                                                                                                                                                                                                                                                                                                         |
| <b>Parameters</b>  | <b>allow-default</b> — When the <b>allow-default</b> parameter is specified with the <b>less-specific</b> command, an RTM return of 0.0.0.0 matches the IP prefix. If <b>less-specific</b> is entered without the <b>allow-default</b> parameter, a return of 0.0.0.0 will not match the IP prefix. To disable <b>allow-default</b> , but continue to allow <b>less-specific</b> match operation, only enter the <b>less-specific</b> command (without the <b>allow-default</b> parameter).                                                                                                                                                                                                                                                                                                                                                                                                                                                                                                                                                                                                                                                                                                                                                                                                       |

### next-hop

|                    |                                                                                                                                                                                                                                                                                                                                                                                                                                                                                                                                                                                        |
|--------------------|----------------------------------------------------------------------------------------------------------------------------------------------------------------------------------------------------------------------------------------------------------------------------------------------------------------------------------------------------------------------------------------------------------------------------------------------------------------------------------------------------------------------------------------------------------------------------------------|
| <b>Syntax</b>      | <code>[no] next-hop <i>ip-address</i></code>                                                                                                                                                                                                                                                                                                                                                                                                                                                                                                                                           |
| <b>Context</b>     | <code>config&gt;vrrp&gt;policy&gt;priority-event&gt;route-unknown <i>prefix/mask-length</i></code>                                                                                                                                                                                                                                                                                                                                                                                                                                                                                     |
| <b>Description</b> | <p>This command adds an allowed next hop IP address to match the IP route prefix for a route-unknown priority control event.</p> <p>If the next-hop IP address does not match one of the defined <i>ip-address</i>, the match is considered unsuccessful and the <b>route-unknown</b> event transitions to the set state.</p> <p>The <b>next-hop</b> command is optional. If no <b>next-hop <i>ip-address</i></b> commands are configured, the comparison between the RTM prefix return and the <b>route-unknown</b> IP route prefix are not included in the next hop information.</p> |

When more than one next hop IP addresses are eligible for matching, a **next-hop** command must be executed for each IP address. Defining the same IP address multiple times has no effect after the first instance.

The **no** form of the command removes the *ip-address* from the list of acceptable next hops when looking up the **route-unknown** prefix. If this *ip-address* is the last next hop defined on the **route-unknown** event, the returned next hop information is ignored when testing the match criteria. If the *ip-address* does not exist, the **no next-hop** command returns a warning error, but continues to execute if part of an **exec** script.

**Default** no next-hop — No next hop IP address for the route unknown priority control event is defined.

**Parameters** *ip-address* — The IP address for an acceptable next hop IP address for a returned route prefix from the RTM when looking up the **route-unknown** route prefix.

**Values**

|                |                                                      |
|----------------|------------------------------------------------------|
| ipv4-address : | a.b.c.d                                              |
| ipv6-address : | x:x:x:x:x:x[-interface]                              |
| x:             | [0..FFFF]H                                           |
| interface:     | 32 chars maximum, mandatory for link local addresses |

Note that the link-local IPv6 address must have an interface name specified. The global IPv6 address must not have an interface name specified.

## protocol

**Syntax** **protocol** {**bgp** | **bgp-vpn** | **ospf** | **is-is** | **rip** | **static**}  
**no protocol**

**Context** config>vrrp>policy>priority-event>route-unknown *prefix/mask-length*

**Description** This command adds one or more route sources to match the route unknown IP route prefix for a route unknown priority control event.

If the route source does not match one of the defined protocols, the match is considered unsuccessful and the **route-unknown** event transitions to the set state.

The **protocol** command is optional. If the **protocol** command is not executed, the comparison between the RTM prefix return and the **route-unknown** IP route prefix will not include the source of the prefix. The **protocol** command cannot be executed without at least one associated route source parameter. All parameters are reset each time the **protocol** command is executed and only the explicitly defined protocols are allowed to match.

The **no** form of the command removes protocol route source as a match criteria for returned RTM route prefixes.

To remove specific existing route source match criteria, execute the **protocol** command and include only the specific route source criteria. Any unspecified route source criteria is removed.

**Default** no protocol — No route source for the route unknown priority event is defined.

**Parameters** **bgp** — This parameter defines BGP as an eligible route source for a returned route prefix from the RTM when looking up the **route-unknown** route prefix. The **bgp** parameter is not exclusive from the other available **protocol** parameters. If **protocol** is executed without the **bgp** parameter,

## Priority Policy Route Unknown Event Commands

a returned route prefix with a source of BGP will not be considered a match and will cause the event to enter the set state.

**bgp-vpn** — This parameter defines **bgp-vpn** as an eligible route source for a returned route prefix from the RTM when looking up the **route-unknown** route prefix. The **bgp-vpn** parameter is not exclusive from the other available **protocol** parameters. If **protocol** is executed without the **bgp-vpn** parameter, a returned route prefix with a source of **bgp-vpn** will not be considered a match and will cause the event to enter the set state.

**ospf** — This parameter defines OSPF as an eligible route source for a returned route prefix from the RTM when looking up the **route-unknown** route prefix. The **ospf** parameter is not exclusive from the other available **protocol** parameters. If **protocol** is executed without the **ospf** parameter, a returned route prefix with a source of OSPF will not be considered a match and will cause the event to enter the set state.

**is-is** — This parameter defines IS-IS as an eligible route source for a returned route prefix from the RTM when looking up the **route-unknown** route prefix. The **is-is** parameter is not exclusive from the other available **protocol** parameters. If **protocol** is executed without the **is-is** parameter, a returned route prefix with a source of IS-IS will not be considered a match and will cause the event to enter the set state.

**rip** — This parameter defines RIP as an eligible route source for a returned route prefix from the RTM when looking up the **route-unknown** route prefix. The **rip** parameter is not exclusive from the other available **protocol** parameters. If **protocol** is executed without the **rip** parameter, a returned route prefix with a source of RIP will not be considered a match and will cause the event to enter the set state.

**static** — This parameter defines a static route as an eligible route source for a returned route prefix from the RTM when looking up the **route-unknown** route prefix. The **static** parameter is not exclusive from the other available **protocol** parameters. If **protocol** is executed without the **static** parameter, a returned route prefix with a source of static route will not be considered a match and will cause the event to enter the set state.

## route-unknown

|                    |                                                                                                                                                                                                                                                                                                                                                                                                                                                                                                                                                                                                                                                                                                                                                                                                                                                                                                                                                                                                                |
|--------------------|----------------------------------------------------------------------------------------------------------------------------------------------------------------------------------------------------------------------------------------------------------------------------------------------------------------------------------------------------------------------------------------------------------------------------------------------------------------------------------------------------------------------------------------------------------------------------------------------------------------------------------------------------------------------------------------------------------------------------------------------------------------------------------------------------------------------------------------------------------------------------------------------------------------------------------------------------------------------------------------------------------------|
| <b>Syntax</b>      | <b>[no] route-unknown <i>prefix/mask-length</i></b>                                                                                                                                                                                                                                                                                                                                                                                                                                                                                                                                                                                                                                                                                                                                                                                                                                                                                                                                                            |
| <b>Context</b>     | config>vrrp>policy>priority-event                                                                                                                                                                                                                                                                                                                                                                                                                                                                                                                                                                                                                                                                                                                                                                                                                                                                                                                                                                              |
| <b>Description</b> | <p>This command creates a context to configure a route unknown priority control event that monitors the existence of a specific active IP route prefix within the routing table.</p> <p>The <b>route-unknown</b> command configures a priority control event that defines a link between the VRRP priority control policy and the Route Table Manager (RTM). The RTM registers the specified route prefix as monitored by the policy. If any change (add, delete, new next hop) occurs relative to the prefix, the policy is notified and takes proper action according to the priority event definition. If the route prefix exists and is active in the routing table according to the conditions defined, the event is in the cleared state. If the route prefix is removed, becomes inactive or fails to meet the event criteria, the event is in the set state.</p> <p>The command creates a <b>route-unknown</b> node identified by <i>prefix/mask-length</i> and containing event control commands.</p> |

Multiple unique (different *prefix/mask-length*) **route-unknown** event nodes can be configured within the **priority-event** node up to the maximum limit of 32 events.

The **route-unknown** command can reference any valid IP address mask-length pair. The IP address and associated mask length define a unique IP router prefix. The dynamic monitoring of the route prefix results in one of the following event operational states:

| <b>route-unknown<br/>Operational State</b> | <b>Description</b>                                                                                                      |
|--------------------------------------------|-------------------------------------------------------------------------------------------------------------------------|
| Set – non-existent                         | The route does not exist in the route table.                                                                            |
| Set – inactive                             | The route exists in the route table but is not being used.                                                              |
| Set – wrong next hop                       | The route exists in the route table but does not meet the <b>next-hop</b> requirements.                                 |
| Set – wrong protocol                       | The route exists in the route table but does not meet the <b>protocol</b> requirements.                                 |
| Set – less specific found                  | The route exists in the route table but does not meet any <b>less-specific</b> requirements.                            |
| Set – default best match                   | The route exists in the route table as the default route but the default route is not allowed for route matching.       |
| Cleared – less specific found              | A less specific route exists in the route table and meets all criteria including the <b>less-specific</b> requirements. |
| Cleared – found                            | The route exists in the route table manager and meets all criteria.                                                     |

An existing route prefix in the RTM must be active (used by the IP forwarding engine) to clear the event operational state. It may be less specific (the defined prefix may be contained in a larger prefix according to Classless Inter-Domain Routing (CIDR) techniques) if the event has the **less-specific** statement defined. The less specific route that incorporates the router prefix may be the default route (0.0.0.0) if the **less-specific allow-default** statement is defined. The matching prefix may be required to have a specific next hop IP address if defined by the event **next-hop** command. Finally, the source of the RTM prefix may be required to be one of the dynamic routing protocols or be statically defined if defined by the event **protocol** command. If an RTM prefix is not found that matches all the above criteria (if defined in the event control commands), the event is considered to be set. If a matching prefix is found in the RTM, the event is considered to be cleared.

When an event transitions from clear to set, the set is processed immediately and must be reflected in the associated virtual router instances in-use priority value. As the event transitions from clear to set, a hold set timer is loaded with the value configured by the events **hold-set** command. This timer prevents the event from clearing until it expires, damping the effect of event flapping. If the event clears and becomes set again before the hold set timer expires, the timer is reset to the **hold-set** value, extending the time before another clear can take effect.

The **no** form of the command is used to remove the specific *prefix/mask-length* monitoring event. The event can be removed at anytime. When the event is removed, the in-use priority of all associated

## Priority Policy Route Unknown Event Commands

virtual router instances must be reevaluated. The events **hold-set** timer has no effect on the removal procedure.

**Default** **no route-unknown** — No route unknown priority control events are defined for the priority control event policy.

**Parameters** *prefix* — The IP prefix address to be monitored by the route unknown priority control event in dotted decimal notation.

**Values** 0.0.0.0 — 255.255.255.255

*mask-length* — The subnet mask length expressed as a decimal integer associated with the IP *prefix* defining the route prefix to be monitored by the route unknown priority control event.

**Values** 0 — 32

*ip-address* — The IP address of the host for which the specific event will monitor connectivity. The *ip-addr* can only be monitored by a single event in this policy. The IP address can be monitored by multiple VRRP priority control policies. The IP address can be used in one or multiple **ping** requests. Each VRRP priority control **host-unreachable** and **ping** destined to the same *ip-addr* is uniquely identified on a per message basis. Each session originates a unique identifier value for the ICMP echo request messages it generates. This allows received ICMP echo reply messages to be directed to the appropriate sending application.

**Values** *ip-prefix/mask:* ip-prefix a.b.c.d (host bits must be 0)  
mask 0 — 32

*ipv6-address/prefix:*  
ipv6-address x:x:x:x:x:x:x (eight 16-bit pieces)  
x:x:x:x:x:d.d.d.d  
x: [0..FFFF]H  
prefix-length 1 — 128

---

## Show Commands

### instance

**Syntax**     **instance**  
**instance** [**interface** *interface-name* [**vrid** *virtual-router-id*]  
**instance interface** *interface-name* **vrid** *virtual-router-id* **ipv6**

**Context**     show>vrrp

**Description**     This command displays information for VRRP instances.  
 If no command line options are specified, summary information for all VRRP instances displays.

**Parameters**     **interface** *ip-int-name* — Displays detailed information for the VRRP instances on the specified IP interface including status and statistics.

**Default**     Summary information for all VRRP instances.

**vrid** *virtual-router-id* — Displays detailed information for the specified VRRP instance on the IP interface.

**Default**     All VRIDs for the IP interface.

**Values**     1 — 255

**ipv6** — Specifies the IPv6 instance.

**Output**       **VRRP Instance Output** — The following table describes the instance command output fields for VRRP.

| Label          | Description                                                                                                                                                                     |
|----------------|---------------------------------------------------------------------------------------------------------------------------------------------------------------------------------|
| Interface name | The name of the IP interface.                                                                                                                                                   |
| VR ID          | The virtual router ID for the IP interface                                                                                                                                      |
| Own<br>Owner   | Yes — Specifies that the virtual router instance as owning the virtual router IP addresses.<br><br>No — Indicates that the virtual router instance is operating as a non-owner. |
| Adm            | Up — Indicates that the administrative state of the VRRP instance is up.<br><br>Down — Indicates that the administrative state of the VRRP instance is down.                    |
| Oper           | Up — Indicates that the operational state of the VRRP instance is up.<br><br>Down — Indicates that the operational state of the VRRP instance is down.                          |

| Label          | Description (Continued)                                                                                                                                                                                                                                                                                                                                                                                                                                                                                                                                                                                                                                                                                                                                     |
|----------------|-------------------------------------------------------------------------------------------------------------------------------------------------------------------------------------------------------------------------------------------------------------------------------------------------------------------------------------------------------------------------------------------------------------------------------------------------------------------------------------------------------------------------------------------------------------------------------------------------------------------------------------------------------------------------------------------------------------------------------------------------------------|
| State          | <p>When owner, <b>backup</b> defines the IP addresses that are advertised within VRRP advertisement messages.</p> <p>When non-owner, <b>backup</b> actually creates an IP interface IP address used for routing IP packets and communicating with the system when the access commands are defined (ping-reply, telnet-reply, and ssh-reply).</p>                                                                                                                                                                                                                                                                                                                                                                                                            |
| Pol Id         | The value that uniquely identifies a Priority Control Policy.                                                                                                                                                                                                                                                                                                                                                                                                                                                                                                                                                                                                                                                                                               |
| Base Priority  | The <i>base-priority</i> value used to derive the in-use priority of the virtual router instance as modified by any optional VRRP priority control policy.                                                                                                                                                                                                                                                                                                                                                                                                                                                                                                                                                                                                  |
| InUse Priority | The current in-use priority associated with the VRRP virtual router instance.                                                                                                                                                                                                                                                                                                                                                                                                                                                                                                                                                                                                                                                                               |
| Msg Int        | The administrative advertisement message timer used by the master virtual router instance to send VRRP advertisement messages and to derive the master down timer as backup.                                                                                                                                                                                                                                                                                                                                                                                                                                                                                                                                                                                |
| Inh Int        | <p><b>Yes</b> — When the VRRP instance is a non-owner and is operating as a backup and the <b>master-int-inherit</b> command is enabled, the master down timer is indirectly derived from the value in the advertisement interval field of the VRRP message received from the current master.</p> <p><b>No</b> — When the VRRP instance is operating as a backup and the <b>master-int-inherit</b> command is <i>not</i> enabled, the configured advertisement interval is matched against the value in the advertisement interval field of the VRRP message received from the current master. If the two values do not match then the VRRP advertisement is discarded.</p> <p>If the VRRP instance is operating as a master, this value has no effect.</p> |
| Backup Addr    | The backup virtual router IP address.                                                                                                                                                                                                                                                                                                                                                                                                                                                                                                                                                                                                                                                                                                                       |
| BFD            | Indicates BFD is enabled.                                                                                                                                                                                                                                                                                                                                                                                                                                                                                                                                                                                                                                                                                                                                   |
| VRRP State     | Specifies whether the VRRP instance is operating in a master or backup state.                                                                                                                                                                                                                                                                                                                                                                                                                                                                                                                                                                                                                                                                               |
| Policy ID      | <p>The VRRP priority control policy associated with the VRRP virtual router instance.</p> <p>A value of 0 indicates that no control policy policy is associated with the virtual router instance.</p>                                                                                                                                                                                                                                                                                                                                                                                                                                                                                                                                                       |
| Preempt Mode   | <p><b>Yes</b> — The preempt mode is enabled on the virtual router instance where it will preempt a VRRP master with a lower priority.</p> <p><b>No</b> — The preempt mode is disabled and prevents the non-owner virtual router instance from preempting another, less desirable virtual router.</p>                                                                                                                                                                                                                                                                                                                                                                                                                                                        |



| Label                | Description (Continued)                                                                                                                                                                                                                                                                                                                                                                                                                                            |
|----------------------|--------------------------------------------------------------------------------------------------------------------------------------------------------------------------------------------------------------------------------------------------------------------------------------------------------------------------------------------------------------------------------------------------------------------------------------------------------------------|
| Ping Reply           | <p>Yes – A non-owner master is enabled to reply to ICMP Echo requests directed to the virtual router instance IP addresses.</p> <p>Ping Reply is valid only if the VRRP virtual router instance associated with this entry is a non-owner.</p> <p>A non-owner backup virtual router never responds to such ICMP echo requests irrespective if Ping Reply is enabled.</p> <p>No – ICMP echo requests to the virtual router instance IP addresses are discarded.</p> |
| Telnet Reply         | <p>Yes – Non-owner masters can to reply to TCP port 23 Telnet requests directed at the virtual router instances IP addresses.</p> <p>No – Telnet requests to the virtual router instance IP addresses are discarded.</p>                                                                                                                                                                                                                                           |
| SSH Reply            | <p>Yes – Non-owner masters can to reply to SSH requests directed at the virtual router instances IP addresses.</p> <p>No – All SSH request messages destined to the non-owner virtual router instance IP addresses are discarded.</p>                                                                                                                                                                                                                              |
| Primary IP of Master | The IP address of the VRRP master.                                                                                                                                                                                                                                                                                                                                                                                                                                 |
| Primary IP           | The IP address of the VRRP owner.                                                                                                                                                                                                                                                                                                                                                                                                                                  |
| Up Time              | The date and time when the operational state of the event last changed.                                                                                                                                                                                                                                                                                                                                                                                            |
| Virt MAC Addr        | The virtual MAC address used in ARP responses when the VRRP virtual router instance is operating as a master.                                                                                                                                                                                                                                                                                                                                                      |
| Auth Type            | Specifies the VRRP authentication Type 0 (no authentication), Type 1 (simple password), or Type 2 (MD5) for the virtual router.                                                                                                                                                                                                                                                                                                                                    |
| Addr List Mismatch   | <p>Specifies whether a trap was generated when the IP address list received in the advertisement messages received from the current master did not match the configured IP address list.</p> <p>This is an edge triggered notification. A second trap will not be generated for a packet from the same master until this event has been cleared.</p>                                                                                                               |
| Master Priority      | The priority of the virtual router instance which is the current master.                                                                                                                                                                                                                                                                                                                                                                                           |
| Master Since         | <p>The date and time when operational state of the virtual router changed to master.</p> <p>For a backup virtual router, this value specifies the date and time when it received the first VRRP advertisement message from the virtual router which is the current master.</p>                                                                                                                                                                                     |

**Sample Output**

```

*A:ALA-A# show router vrrp instance
=====
VRRP Instances
=====
Interface Name VR Id Own Adm State Base Pri Msg Int
 IP Opr Pol Id InUse Pri Inh Int

n2 1 No Up Master 100 1
 IPv4 Up n/a 100 No
 Backup Addr: 5.1.1.10
n2 10 No Up Master 100 1.0
 IPv6 Up n/a 100 Yes
 Backup Addr: 5::10
 FE80::10

Instances : 2
=====
*A:ALA-A#

*A:ALA-A# show router vrrp instance interface n2 vrid 1
=====
VRRP Instance 1 for interface "n2"
=====
Owner : No VRRP State : Master
Primary IP of Master: 5.1.1.2 (Self)
Primary IP : 5.1.1.2 Standby-Forwarding: Disabled
VRRP Backup Addr : 5.1.1.10
Admin State : Up Oper State : Up
Up Time : 09/23/2004 06:53:45 Virt MAC Addr : 00:00:5e:00:01:01
Auth Type : None
Config Mesg Intvl : 1 In-Use Mesg Intvl : 1
Master Inherit Intvl: No
Base Priority : 100 In-Use Priority : 100
Policy ID : n/a Preempt Mode : Yes
Ping Reply : No Telnet Reply : No
SSH Reply : No Traceroute Reply : No
Init Delay : 0 Init Timer Expires: 0.000 sec
Creation State : Active

Master Information

Primary IP of Master: 5.1.1.2 (Self)
Addr List Mismatch : No Master Priority : 100
Master Since : 09/23/2004 06:53:49

Masters Seen (Last 32)

Primary IP of Master Last Seen Addr List Mismatch Msg Count

5.1.1.2 09/23/2004 06:53:49 No 0

Statistics

Become Master : 1 Master Changes : 1
Adv Sent : 103 Adv Received : 0
Pri Zero Pkts Sent : 0 Pri Zero Pkts Rcvd : 0
Preempt Events : 0 Preempted Events : 0
Mesg Intvl Discards: 0 Mesg Intvl Errors : 0

```

```

Addr List Discards : 0
Auth Type Mismatch : 0
Invalid Auth Type : 0
IP TTL Errors : 0
Total Discards : 0
Addr List Errors : 0
Auth Failures : 0
Invalid Pkt Type : 0
Pkt Length Errors : 0
=====
*A:ALA-A#

*A:ALA-A# show router vrrp instance interface n2 vrid 1 ipv6
=====
VRRP Instance 1 for interface "n2"
=====
No Matching Entries
=====
*A:ALA-A#

*A:ALA-A# show router vrrp instance interface n2 vrid 10 ipv6
=====
VRRP Instance 10 for interface "n2"
=====
Owner : No VRRP State : Master
Primary IP of Master: FE80::1 (Self)
Primary IP : FE80::1
Standby-Forwarding: Disabled

VRRP Backup Addr : 5::10
 : FE80::10

Admin State : Up Oper State : Up
Up Time : 09/23/2004 06:55:12 Virt MAC Addr : 00:00:5e:00:02:0a
Config Mesg Intvl : 1.0 In-Use Mesg Intvl : 1.0
Master Inherit Intvl: Yes
Base Priority : 100 In-Use Priority : 100
Policy ID : n/a Preempt Mode : Yes
Ping Reply : No Telnet Reply : No
Traceroute Reply : No
Init Delay : 0 Init Timer Expires: 0.000 sec
Creation State : Active

Master Information

Primary IP of Master: FE80::1 (Self)
Addr List Mismatch : No Master Priority : 100
Master Since : 09/23/2004 06:55:16
=====
Masters Seen (Last 32)
=====
Primary IP of Master Last Seen Addr List Mismatch Msg Count

FE80::1 09/23/2004 06:55:16 No 0

Statistics

Master Transitions : 1 Discontinuity Time: 09/09/2004 01:57*
Adv Sent : 23 Adv Received : 0
Pri Zero Pkts Sent : 0 Pri Zero Pkts Rcvd: 0
Preempt Events : 0 Preempted Events : 0
Mesg Intvl Discards : 0 Mesg Intvl Errors : 0
Total Discards : 0 Addr List Errors : 0

```

```
Auth Failures : 0 Invalid Pkt Type : 0
IP TTL Errors : 0 Pkt Length Errors : 0
=====
* indicates that the corresponding row element may have been truncated.
```

## policy

**Syntax** `policy [vrrp-policy-id [event event-type specific-qualifier]]`

**Context** show>vrrp

**Description** This command displays VRRP priority control policy information.  
If no command line options are specified, a summary of the VRRP priority control event policies displays.

**Parameters** *vrrp-policy-id* — Displays information on the specified priority control policy ID.

**Default** All VRRP policies IDs

**Values** 1 — 9999

**event event-type** — Displays information on the specified VRRP priority control event within the policy ID.

**Default** All event types and qualifiers

**Values** **port-down** *port-id*  
**lag-port-down** *lag-id*  
**host-unreachable** *host-ip-addr*  
**route-unknown** *route-prefix/mask*

*specific-qualifier* — Display information about the specified qualifier.

**Values** port-id, lag-id, host-ip-addr, route-prefix/mask

**Output** **VRRP Policy Output** — The following table describes the VRRP policy command output fields.

| Label                      | Description                                                                                                                                                                                                                    |
|----------------------------|--------------------------------------------------------------------------------------------------------------------------------------------------------------------------------------------------------------------------------|
| Policy Id                  | The VRRP priority control policy associated with the VRRP virtual router instance.<br><br>A value of 0 indicates that no control policy policy is associated with the virtual router instance.                                 |
| Current Priority & Effects |                                                                                                                                                                                                                                |
| Current Explicit           | When multiple explicitly defined events associated with the priority control policy happen simultaneously, the lowest value of all the current explicit priorities will be used as the in-use priority for the virtual router. |

| Label              | Description (Continued)                                                                                                                                                                                                                                                                                                                                                                                                                                                                                                                                                                                                                                                    |
|--------------------|----------------------------------------------------------------------------------------------------------------------------------------------------------------------------------------------------------------------------------------------------------------------------------------------------------------------------------------------------------------------------------------------------------------------------------------------------------------------------------------------------------------------------------------------------------------------------------------------------------------------------------------------------------------------------|
| Current Delta Sum  | The sum of the priorities of all the delta events when multiple delta events associated with the priority control policy happen simultaneously. This sum is subtracted from the base priority of the virtual router to give the in-use priority.                                                                                                                                                                                                                                                                                                                                                                                                                           |
| Delta Limit        | <p>The delta-in-use-limit for a VRRP policy. Once the total sum of all delta events has been calculated and subtracted from the base-priority of the virtual router, the result is compared to the delta-in-use-limit value. If the result is less than this value, the delta-in-use-limit value is used as the virtual router in-use priority value. If an explicit priority control event overrides the delta priority control events, the delta-in-use-limit has no effect.</p> <p>If the delta-in-use-limit is 0, the sum of the delta priority control events to reduce the virtual router's in-use-priority to 0 can prevent it from becoming or staying master.</p> |
| Current Priority   | The configured delta-in-use-limit priority for a VRRP priority control policy or the configured delta or explicit priority for a priority control event.                                                                                                                                                                                                                                                                                                                                                                                                                                                                                                                   |
| Applied            | The number of virtual router instances to which the policy has been applied. The policy cannot be deleted unless this value is 0.                                                                                                                                                                                                                                                                                                                                                                                                                                                                                                                                          |
| Description        | A text string which describes the VRRP policy.                                                                                                                                                                                                                                                                                                                                                                                                                                                                                                                                                                                                                             |
| Event Type & ID    | <p>A delta priority event is a conditional event defined in a priority control policy that subtracts a given amount from the base priority to give the current in-use priority for the VRRP virtual router instances to which the policy is applied.</p> <p>An explicit priority event is a conditional event defined in a priority control policy that explicitly defines the in-use priority for the VRRP virtual router instances to which the policy is applied.</p> <p>Explicit events override all delta Events. When multiple explicit events occur simultaneously, the event with the lowest priority value defines the in-use priority.</p>                       |
| Event Oper State   | The operational state of the event.                                                                                                                                                                                                                                                                                                                                                                                                                                                                                                                                                                                                                                        |
| Hold Set Remaining | The amount of time that must pass before the set state for a VRRP priority control event can transition to the cleared state to dampen flapping events.                                                                                                                                                                                                                                                                                                                                                                                                                                                                                                                    |
| Priority & Effect  | <p>Delta – The <i>priority-level</i> value is subtracted from the associated virtual router instance's base priority when the event is set and no explicit events are set. The sum of the priority event <i>priority-level</i> values on all set delta priority events are subtracted from the virtual router base priority to derive the virtual router instance in-use priority value.</p> <p>If the <b>delta</b> priority event is cleared, the <i>priority-level</i> is no longer used in the in-use priority calculation.</p>                                                                                                                                         |

| Label  | Description (Continued)                                                                                                                                                                                                                                                                                                                                                                                                                        |
|--------|------------------------------------------------------------------------------------------------------------------------------------------------------------------------------------------------------------------------------------------------------------------------------------------------------------------------------------------------------------------------------------------------------------------------------------------------|
|        | <p><b>Explicit</b> – The <i>priority-level</i> value is used to override the base priority of the virtual router instance if the priority event is set and no other <b>explicit</b> priority event is set with a lower <i>priority-level</i>.</p> <p>The set <b>explicit</b> priority value with the lowest <i>priority-level</i> determines the actual in-use protocol value for all virtual router instances associated with the policy.</p> |
| In Use | Specifies whether or not the event is currently affecting the in-use priority of some virtual router.                                                                                                                                                                                                                                                                                                                                          |

**Sample Output**

```
A:ALA-A# show vrrp policy
=====
VRRP Policies
=====
Policy Current Current Current Delta Applied
Id Priority & Effect Explicit Delta Sum Limit

1 None None None 1 Yes
2 None None None 1 No
=====
A:ALA-A#
```

```
A:ALA-A# show vrrp policy 1
=====
VRRP Policy 1
=====
Description : 10.10.200.253 reachability
Current Priority: None Applied : No
Current Explicit: None Current Delta Sum : None
Delta Limit : 1
```

```

Applied To VR Opr Base In-use Master Is
Interface Name Id Pri Pri Pri Pri Master

None
```

```

Priority Control Events

Event Type & ID Event Oper State Hold Set Priority In
 Remaining &Effect Use

Host Unreach 10.10.200.252 n/a Expired 20 Del No
Host Unreach 10.10.200.253 n/a Expired 10 Del No
Route Unknown 10.10.100.0/24 n/a Expired 1 Exp No
=====
A:ALA-A#
```

**VRRP Policy Event Output** — The following table describes a specific event VRRP policy command output fields.

| Label                     | Description                                                                                                                                                                                                                                                                                                                                                                                                                                                                                                                                                                                                                                                         |
|---------------------------|---------------------------------------------------------------------------------------------------------------------------------------------------------------------------------------------------------------------------------------------------------------------------------------------------------------------------------------------------------------------------------------------------------------------------------------------------------------------------------------------------------------------------------------------------------------------------------------------------------------------------------------------------------------------|
| Description               | A text string which describes the VRRP policy.                                                                                                                                                                                                                                                                                                                                                                                                                                                                                                                                                                                                                      |
| Policy Id                 | The VRRP priority control policy associated with the VRRP virtual router instance.<br><br>A value of 0 indicates that no control policy is associated with the virtual router instance.                                                                                                                                                                                                                                                                                                                                                                                                                                                                             |
| Current Priority          | The base router priority for the virtual router instance used in the master election process.                                                                                                                                                                                                                                                                                                                                                                                                                                                                                                                                                                       |
| Current Explicit          | When multiple explicitly defined events associated with the priority control policy happen simultaneously, the lowest value of all the current explicit priorities will be used as the in-use priority for the virtual router.                                                                                                                                                                                                                                                                                                                                                                                                                                      |
| Applied                   | The number of virtual router instances to which the policy has been applied. The policy cannot be deleted unless this value is 0.                                                                                                                                                                                                                                                                                                                                                                                                                                                                                                                                   |
| Current Delta Sum         | The sum of the priorities of all the delta events when multiple delta events associated with the priority control policy happen simultaneously. This sum is subtracted from the base priority of the virtual router to give the in-use priority.                                                                                                                                                                                                                                                                                                                                                                                                                    |
| Delta Limit               | The delta-in-use-limit for a VRRP policy. Once the total sum of all delta events has been calculated and subtracted from the base-priority of the virtual router, the result is compared to the delta-in-use-limit value. If the result is less than this value, the delta-in-use-limit value is used as the virtual router in-use priority value. If an explicit priority control event overrides the delta priority control events, the delta-in-use-limit has no effect.<br><br>If the delta-in-use-limit is 0, the sum of the delta priority control events to reduce the virtual router's in-use-priority to 0 can prevent it from becoming or staying master. |
| Applied to Interface Name | The interface name where the VRRP policy is applied.                                                                                                                                                                                                                                                                                                                                                                                                                                                                                                                                                                                                                |
| VR ID                     | The virtual router ID for the IP interface.                                                                                                                                                                                                                                                                                                                                                                                                                                                                                                                                                                                                                         |
| Opr                       | Up — Indicates that the operational state of the VRRP instance is up.<br><br>Down — Indicates that the operational state of the VRRP instance is down.                                                                                                                                                                                                                                                                                                                                                                                                                                                                                                              |
| Base Pri                  | The base priority used by the virtual router instance.                                                                                                                                                                                                                                                                                                                                                                                                                                                                                                                                                                                                              |
| InUse Priority            | The current in-use priority associated with the VRRP virtual router instance.                                                                                                                                                                                                                                                                                                                                                                                                                                                                                                                                                                                       |

| Label              | Description (Continued)                                                                                                                                                                                                                                                                                                                                                                                                                                                                                                                                                                                                                                                                                                                                                                                                                                                                                                                                                                  |
|--------------------|------------------------------------------------------------------------------------------------------------------------------------------------------------------------------------------------------------------------------------------------------------------------------------------------------------------------------------------------------------------------------------------------------------------------------------------------------------------------------------------------------------------------------------------------------------------------------------------------------------------------------------------------------------------------------------------------------------------------------------------------------------------------------------------------------------------------------------------------------------------------------------------------------------------------------------------------------------------------------------------|
| Master Priority    | The priority of the virtual router instance which is the current master.                                                                                                                                                                                                                                                                                                                                                                                                                                                                                                                                                                                                                                                                                                                                                                                                                                                                                                                 |
| Priority           | The base priority used by the virtual router instance.                                                                                                                                                                                                                                                                                                                                                                                                                                                                                                                                                                                                                                                                                                                                                                                                                                                                                                                                   |
| Priority Effect    | <p><b>Delta</b> – A delta priority event is a conditional event defined in a priority control policy that subtracts a given amount from the base priority to give the current in-use priority for the VRRP virtual router instances to which the policy is applied.</p> <p><b>Explicit</b> – A conditional event defined in a priority control policy that explicitly defines the in-use priority for the VRRP virtual router instances to which the policy is applied.</p> <p>Explicit events override all delta events. When multiple explicit events occur simultaneously, the event with the lowest priority value defines the in-use priority.</p>                                                                                                                                                                                                                                                                                                                                  |
| Current Priority   | The configured delta-in-use-limit priority for a VRRP priority control policy or the configured delta or explicit priority for a priority control event.                                                                                                                                                                                                                                                                                                                                                                                                                                                                                                                                                                                                                                                                                                                                                                                                                                 |
| Event Oper State   | The operational state of the event.                                                                                                                                                                                                                                                                                                                                                                                                                                                                                                                                                                                                                                                                                                                                                                                                                                                                                                                                                      |
| Hold Set Remaining | The amount of time that must pass before the set state for a VRRP priority control event can transition to the cleared state to dampen flapping events.                                                                                                                                                                                                                                                                                                                                                                                                                                                                                                                                                                                                                                                                                                                                                                                                                                  |
| Priority           | The base priority used by the virtual router instance.                                                                                                                                                                                                                                                                                                                                                                                                                                                                                                                                                                                                                                                                                                                                                                                                                                                                                                                                   |
| Priority Effect    | <p><b>Delta</b> – The <i>priority-level</i> value is subtracted from the associated virtual router instance's base priority when the event is set and no explicit events are set. The sum of the priority event <i>priority-level</i> values on all set delta priority events are subtracted from the virtual router base priority to derive the virtual router instance in-use priority value.</p> <p>If the <b>delta</b> priority event is cleared, the <i>priority-level</i> is no longer used in the in-use priority calculation.</p> <p><b>Explicit</b> – The <i>priority-level</i> value is used to override the base priority of the virtual router instance if the priority event is set and no other <b>explicit</b> priority event is set with a lower <i>priority-level</i>.</p> <p>The set <b>explicit</b> priority value with the lowest <i>priority-level</i> determines the actual in-use protocol value for all virtual router instances associated with the policy.</p> |
| Hold Set Config    | The configured number of seconds that the hold set timer waits after an event enters a set state or enters a higher threshold set state, depending on the event type.                                                                                                                                                                                                                                                                                                                                                                                                                                                                                                                                                                                                                                                                                                                                                                                                                    |
| Value In Use       | <b>Yes</b> – The event is currently affecting the in-use priority of some virtual router.                                                                                                                                                                                                                                                                                                                                                                                                                                                                                                                                                                                                                                                                                                                                                                                                                                                                                                |



| Label           | Description (Continued)                                                     |
|-----------------|-----------------------------------------------------------------------------|
|                 | No – The event is not affecting the in-use priority of some virtual router. |
| # trans to Set  | The number of times the event has transitioned to one of the 'set' states.  |
| Last Transition | The time and date when the operational state of the event last changed.     |

### Sample Output

```
A:ALA-A#show vrrp policy 1 event port-down
=====
VRRP Policy 1, Event Port Down 1/1/1
=====
Description :
Current Priority: None Applied : Yes
Current Explicit: None Current Delta Sum : None
Delta Limit : 1

Applied To VR Opr Base In-use Master Is
Interface Name Id Pri Pri Pri Pri Master

ies301backup 1 Down 100 100 0 No

Priority Control Event Port Down 1/1/1

Priority : 30 Priority Effect : Delta
Hold Set Config : 0 sec Hold Set Remaining: Expired
Value In Use : No Current State : Cleared
trans to Set : 6 Previous State : Set-down
Last Transition : 04/13/2007 04:54:35
=====
A:ALA-A#

A:ALA-A# show vrrp policy 1 event host-unreachable
=====
VRRP Policy 1, Event Host Unreachable 10.10.200.252
=====
Description : 10.10.200.253 reachability
Current Priority: None Applied : No
Current Explicit: None Current Delta Sum : None
Delta Limit : 1

Applied To VR Opr Base In-use Master Is
Interface Name Id Pri Pri Pri Pri Master

None

Priority Control Event Host Unreachable 10.10.200.252

Priority : 20 Priority Effect : Delta
Interval : 1 sec Timeout : 1 sec
Drop Count : 3
Hold Set Config : 0 sec Hold Set Remaining: Expired
```

## Show Commands

```
Value In Use : No Current State : n/a
trans to Set : 0 Previous State : n/a
Last Transition : 04/13/2007 23:10:24
=====
A:ALA-A#

A:ALA-A# show vrrp policy 1 event route-unknown
=====
VRRP Policy 1, Event Route Unknown 10.10.100.0/24
=====
Description : 10.10.200.253 reachability
Current Priority: None Applied : No
Current Explicit: None Current Delta Sum : None
Delta Limit : 1

Applied To VR Opr Base In-use Master Is
Interface Name Id Pri Pri Pri Pri Master

None

Priority Control Event Route Unknown 10.10.100.0/24

Priority : 1 Priority Effect : Explicit
Less Specific : No Default Allowed : No
Next Hop(s) : None
Protocol(s) : None
Hold Set Config : 0 sec Hold Set Remaining: Expired
Value In Use : No Current State : n/a
trans to Set : 0 Previous State : n/a
Last Transition : 04/13/2007 23:10:24
=====
A:ALA-A#
```

## statistics

|                    |                                                                                                  |
|--------------------|--------------------------------------------------------------------------------------------------|
| <b>Syntax</b>      | <b>statistics</b>                                                                                |
| <b>Context</b>     | show>router>vrrp                                                                                 |
| <b>Description</b> | This command displays statistics for VRRP instance.                                              |
| <b>Output</b>      | <b>VRRP Statistics Output</b> — The following table describes the VRRP statistics output fields. |

**Table 6: Show VRRP Statistics Output**

| Label           | Description                                      |
|-----------------|--------------------------------------------------|
| VR Id Errors    | Displays the number of virtual router ID errors. |
| Version Errors  | Displays the number of version errors.           |
| Checksum Errors | Displays the number of checksum errors.          |

**Sample Output**

```
A:ALA-48# show router vrrp statistics
=====
VRRP Global Statistics
=====
VR Id Errors : 0 Version Errors : 0
Checksum Errors : 0
=====
A:ALA-48#
```

## Monitor Commands

### instance

- Syntax** `instance interface interface-name vr-id virtual-router-id [ipv6] [interval seconds] [repeat repeat] [absolute | rate]`
- Context** monitor>router>vrrp
- Description** Monitor statistics for a VRRP instance.
- Parameters**
- interface-name* — The name of the existing IP interface on which VRRP is configured.
  - vr-id virtual-router-id* — The virtual router ID for the existing IP interface, expressed as a decimal integer.
  - interval seconds* — Configures the interval for each display in seconds.
    - Default** 5 seconds
    - Values** 3 — 60
  - repeat repeat* — Configures how many times the command is repeated.
    - Default** 10
    - Values** 1 — 999
  - absolute** — When the **absolute** keyword is specified, the raw statistics are displayed, without processing. No calculations are performed on the delta or rate statistics.
  - rate** — When the **rate** keyword is specified, the rate-per-second for each statistic is displayed instead of the delta.
  - ipv6** — Specifies to monitor IPv6 instances.

### Sample Output

```
*A:ALA-A# monitor router vrrp instance interface n2 vr-id 1
=====
Monitor statistics for VRRP Instance 1 on interface "n2"
=====

At time t = 0 sec (Base Statistics)

Become Master : 1 Master Changes : 1
Adv Sent : 1439 Adv Received : 0
Pri Zero Pkts Sent : 0 Pri Zero Pkts Rcvd : 0
Preempt Events : 0 Preempted Events : 0
Mesg Intvl Discards : 0 Mesg Intvl Errors : 0
Addr List Discards : 0 Addr List Errors : 0
Auth Type Mismatch : 0 Auth Failures : 0
Invalid Auth Type : 0 Invalid Pkt Type : 0
IP TTL Errors : 0 Pkt Length Errors : 0
Total Discards : 0
=====
```

```
*A:ALA-A#
```

```
*A:ALA-A# monitor router vrrp instance interface n2 vr-id 10 ipv6
```

```
=====
Monitor statistics for VRRP Instance 10 on interface "n2"
=====
```

```

At time t = 0 sec (Base Statistics)

```

|                     |        |                     |                   |
|---------------------|--------|---------------------|-------------------|
| Master Transitions  | : 1    | Discontinuity Time: | 09/09/2004 01:57* |
| Adv Sent            | : 1365 | Adv Received        | : 0               |
| Pri Zero Pkts Sent  | : 0    | Pri Zero Pkts Rcvd  | : 0               |
| Preempt Events      | : 0    | Preempted Events    | : 0               |
| Mesg Intvl Discards | : 0    | Mesg Intvl Errors   | : 0               |
| Total Discards      | : 0    | Addr List Errors    | : 0               |
| Auth Failures       | : 0    | Invalid Pkt Type    | : 0               |
| IP TTL Errors       | : 0    | Pkt Length Errors   | : 0               |

```
=====
*A:ALA-A#
```

---

## Clear Commands

### interface

|                    |                                                                                                                                                                                                                                                                                                                                        |
|--------------------|----------------------------------------------------------------------------------------------------------------------------------------------------------------------------------------------------------------------------------------------------------------------------------------------------------------------------------------|
| <b>Syntax</b>      | <b>interface</b> <i>ip-int-name</i> [ <b>vrid</b> <i>virtual-router-id</i> ]<br><b>interface</b> <i>ip-int-name</i> <b>vrid</b> <i>virtual-router-id</i> <b>ipv6</b>                                                                                                                                                                   |
| <b>Context</b>     | clear>router>vrrp                                                                                                                                                                                                                                                                                                                      |
| <b>Description</b> | This command resets VRRP protocol instances on an IP interface.                                                                                                                                                                                                                                                                        |
| <b>Parameters</b>  | <i>ip-int-name</i> — The IP interface to reset the VRRP protocol instances.<br><b>vrid</b> <i>vrid</i> — Resets the VRRP protocol instance for the specified VRID on the IP interface.<br><b>Default</b> All VRIDs on the IP interface.<br><b>Values</b> 1 — 255<br><b>ipv6</b> — Clears IPv6 information for the specified interface. |

### statistics

|                    |                                                                                                        |
|--------------------|--------------------------------------------------------------------------------------------------------|
| <b>Syntax</b>      | <b>statistics</b> [ <b>policy</b> <i>policy-id</i> ]                                                   |
| <b>Context</b>     | clear>router>vrrp                                                                                      |
| <b>Description</b> | This command enables the context to clear and reset VRRP entities.                                     |
| <b>Parameters</b>  | <b>policy</b> <i>policy-id</i> — Clears statistics for the specified policy.<br><b>Values</b> 1 — 9999 |

### statistics

|                    |                                                                                                                                                                                                                       |
|--------------------|-----------------------------------------------------------------------------------------------------------------------------------------------------------------------------------------------------------------------|
| <b>Syntax</b>      | <b>statistics interface</b> <i>interface-name</i> [ <b>vrid</b> <i>virtual-router-id</i> ]<br><b>statistics</b><br><b>statistics interface</b> <i>interface-name</i> <b>vrid</b> <i>virtual-router-id</i> <b>ipv6</b> |
| <b>Context</b>     | clear>router>vrrp                                                                                                                                                                                                     |
| <b>Description</b> | This command clears statistics for VRRP instances on an IP interface or VRRP priority control policies.                                                                                                               |
| <b>Parameters</b>  | <b>interface</b> <i>ip-int-name</i> — Clears the VRRP statistics for all VRRP instances on the specified IP interface.                                                                                                |

**vrid** *virtual-router-id* — Clears the VRRP statistics for the specified VRRP instance on the IP interface.

**Default** All VRRP instances on the IP interface.

**Values** 1 — 255

**policy** [*vrrp-policy-id*] — Clears VRRP statistics for all or the specified VRRP priority control policy.

**Default** All VRRP policies.

**Values** 1 — 9999

**ipv6** — Clears IPv6 statistics for the specified interface.

---

## VRRP Debug Commands

### events

|                    |                                                                                                                                                                                                                                                                                                                                                                                                                     |
|--------------------|---------------------------------------------------------------------------------------------------------------------------------------------------------------------------------------------------------------------------------------------------------------------------------------------------------------------------------------------------------------------------------------------------------------------|
| <b>Syntax</b>      | <b>events</b><br><b>events interface</b> <i>ip-int-name</i> [ <b>vrid</b> <i>virtual-router-id</i> ]<br><b>events interface</b> <i>ip-int-name</i> <b>vrid</b> <i>virtual-router-id</i> <b>ipv6</b><br><b>no events</b><br><b>no events interface</b> <i>ip-int-name</i> <b>vrid</b> <i>virtual-router-id</i> <b>ipv6</b><br><b>no events interface</b> <i>ip-int-name</i> [ <b>vrid</b> <i>virtual-router-id</i> ] |
| <b>Context</b>     | debug>router>vrrp                                                                                                                                                                                                                                                                                                                                                                                                   |
| <b>Description</b> | This command enables debugging for VRRP events.<br>The <b>no</b> form of the command disables debugging.                                                                                                                                                                                                                                                                                                            |
| <b>Parameters</b>  | <i>ip-int-name</i> — Displays the specified interface name.<br><b>vrid</b> <i>virtual-router-id</i> — Displays the specified VRID.<br><b>ipv6</b> — Debugs the specified IPv6 VRRP interface.                                                                                                                                                                                                                       |

### packets

|                    |                                                                                                                                                                                                                                        |
|--------------------|----------------------------------------------------------------------------------------------------------------------------------------------------------------------------------------------------------------------------------------|
| <b>Syntax</b>      | <b>packets interface</b> <i>ip-int-name</i> [ <b>vrid</b> <i>virtual-router-id</i> ]<br><b>packets</b><br><b>no packets interface</b> <i>ip-int-name</i> [ <b>vrid</b> <i>virtual-router-id</i> ] [ <b>ipv6</b> ]<br><b>no packets</b> |
| <b>Context</b>     | debug>router>vrrp                                                                                                                                                                                                                      |
| <b>Description</b> | This command enables debugging for VRRP packets.<br>The <b>no</b> form of the command disables debugging.                                                                                                                              |
| <b>Parameters</b>  | <i>ip-int-name</i> — Displays the specified interface name.<br><b>vrid</b> <i>virtual-router-id</i> — Displays the specified VRID.                                                                                                     |



# Filter Policies

---

## In This Chapter

This chapter provides information about filter policies and management.

Topics in this chapter include:

- [Filter Policy Configuration Overview on page 338](#)
  - [Service and Network Port-Based Filtering on page 338](#)
  - [Filter Policy Entities on page 339](#)
  - [Redirect Policies on page 341](#)
  - [VID Filters on page 344](#)
- [Creating and Applying Policies on page 348](#)
- [Configuration Notes on page 359](#)

## Filter Policy Configuration Overview

Filter policies, also referred to as Access Control Lists (ACLs), are templates applied to services or network ports to control network traffic into (ingress) or out of (egress) a service access port (SAP) or network port based on IP, IPv6, and MAC matching criteria. Filters are applied to services to look at packets entering or leaving a SAP or network interface. Filters can be used on several interfaces. The same filter can be applied to ingress traffic, egress traffic, or both. Ingress filters affect only inbound traffic destined for the routing complex, and egress filters affect only outbound traffic sent from the routing complex.

Configuring an entity with a filter policy is optional. If an entity such as a service or network port is not configured with filter policies, then all traffic is allowed on the ingress and egress interfaces. By default, there are no filters associated with services or interfaces. They must be explicitly created and associated. When you create a new filter, default values are provided although you must specify a unique filter ID value to each new filter policy as well as each new filter entry and associated actions. The filter entries specify the filter matching criteria.

Only one ingress IP or MAC filter policy and one egress IP or MAC filter policy can be applied to a Layer 2 SAP. Only one ingress IP filter policy and one egress IP filter policy can be applied to a Layer 3 SAP or network interface. Only one ingress IPv6 filter policy and one egress IPv6 filter policy can be applied to a Layer 3 SAP or network interface but this can be in combination with an IP filter policy.

Network filter policies control the forwarding and dropping of packets based on IP or MAC match criteria. Note that non-IP packets are not hitting the IP filter policy, so the default action in the filter policy will not apply to these packets.

---

## Service and Network Port-Based Filtering

IP, IPv6, and MAC filter policies specify either a forward or a drop action for packets based on information specified in the match criteria. You can create up to 2047 IPv6 and 2047 MAC filter policies per node although your network can handle up to 65535 policies including policies pushed out globally or to specific nodes. Within each filter policy, you can create up to 16384 entries.

Filter entry matching criteria can be as general or specific as you require, but all conditions in the entry must be met in order for the packet to be considered a match and the specified entry action performed. The process stops when the first complete match is found and executes the action defined in the entry, either to drop or forward packets that match the criteria.

## Filter Policy Entities

A filter policy compares the match criteria specified within a filter entry to packets coming through the system, in the order the entries are numbered in the policy. When a packet matches all the parameters specified in the entry, the system takes the specified action to either drop or forward the packet. If a packet does not match the entry parameters, the packet continues through the filter process and is compared to the next filter entry, and so on. If the packet does not match any of the entries, then system executes the default action specified in the filter policy. Each filter policy is assigned a unique filter ID. Each filter policy is defined with:

- Scope
- Default action
- Description
- At least one filter entry

Each filter entry contains:

- Match criteria
- An action

---

## Applying Filter Policies

Filter policies can be associated with the following entities:

**Table 7: Applying Filter Policies**

| IP Filter                                  | MAC Filter               | IPv6 Filter                                |
|--------------------------------------------|--------------------------|--------------------------------------------|
| Security CPM filter                        | N/A                      | Security CPM filter                        |
| CRON TOD-suite                             | CRON TOD-suite           | CRON TOD-suite                             |
| Router interface                           | N/A                      | Router interface                           |
| Egress multicast group                     | Egress multicast group   | Egress multicast group                     |
| VLL SAP, spoke SDP                         | VLL SAP, spoke SDP       | VLL SAP, spoke SDP                         |
| IES interface SAP,<br>subscriber-interface | N/A                      | IES interface SAP,<br>subscriber-interface |
| Ipipe SAP, spoke SDP                       | N/A                      | N/A                                        |
| VPLS mesh/spoke SDP, SAP                   | VPLS mesh/spoke SDP, SAP | VPLS mesh/spoke SDP, SAP                   |

**Table 7: Applying Filter Policies (Continued)**

| IP Filter                                           | MAC Filter           | IPv6 Filter          |
|-----------------------------------------------------|----------------------|----------------------|
| VPRN interface SAP, spoke SDP, subscriber-interface | N/A                  | VPRN interface SAP   |
| Epipe SAP, spoke SDP                                | Epipe SAP, spoke SDP | Epipe SAP, spoke SDP |
| Fpipe SAP, spoke SDP                                | Fpipe SAP, spoke SDP | Fpipe SAP, spoke SDP |
| Ipipe SAP, spoke SDP                                | Ipipe SAP, spoke SDP | Ipipe SAP, spoke SDP |
| Pseudowire template                                 | Pseudowire template  | Pseudowire template  |

Filter policies can be applied to specific service types:

- Epipe — Both MAC and IP filters are supported on an Epipe SAP and spoke SDPs.
- IES — Only IP and IPv6 filters are supported on an IES IP interface and spoke SDPs.
- VPLS — Both MAC and IP filters are supported on a VPLS SAP and mesh and spoke SDPs.
- VPRN — Only IP filters are supported on VPRN interface SAPS and spoke SDPs.

Filter policies are applied to the following service entities:

- SAP ingress — IP and MAC filter policies applied on the SAP ingress define the Service Level Agreement (SLA) enforcement of service packets as they ingress a SAP according to the filter policy match criteria.
- SAP egress — Filter policies applied on SAP egress define the Service Level Agreement (SLA) enforcement for service packets as they egress on the SAP according to the filter policy match criteria.
- IES interfaces
- Network ingress — IP filter policies are applied to network ingress IP interfaces.
- Network egress — IP filter policies are applied to network egress IP interfaces.

## Redirect Policies

Redirect policies define one or more cache server destinations and provides a method to determine which destination is used. Redirection policies are used to identify cache servers (or other redirection target destinations) and define health check test methods used to validate the ability for the destination to receive redirected traffic. This destination monitoring greatly diminishes the likelihood of a destination receiving packets it cannot process.

Redirection identifies packets to be redirected and specifies the method to reach the web cache server. Packets are identified by IP filter entries. The redirection action is accomplished and supported with Policy Based Routing. Only IP routed frames can be redirected. Bridged IP packets that match the entry criteria will not be redirected.

Redirection policies can contain multiple destinations. Each destination is assigned an initial or base priority describing its relative importance within the policy. The destination with the highest priority value is selected.

There are no default redirect policies. Each redirect policy must be explicitly configured and specified in an IP filter entry.

To facilitate redirection based on a redirection policy, an IP filter must be created and applied to the appropriate ingress or egress IP interfaces where redirection is required. The entry criteria for the filter entry must specify a redirect policy to enable the appropriate IP packets to be redirected from the normal IP routing next hop. If packets do not meet any of the defined match criteria, then those packets are routed normally through the destination-based routing process.

The redirection policy is referenced within the action context for an IP filter entry, binding the filter entry to the policy and the IP destinations managed by the policy. The policy specifies the destination IP address where the packets matching the filter entry will be redirected. When the policy determines the destination for packets matching the filter, the action on the filter entry is similar to provisioning that destination IP address as an indirect next hop Policy Based Route (PBR) action.

### Web Redirection (Captive Portal)

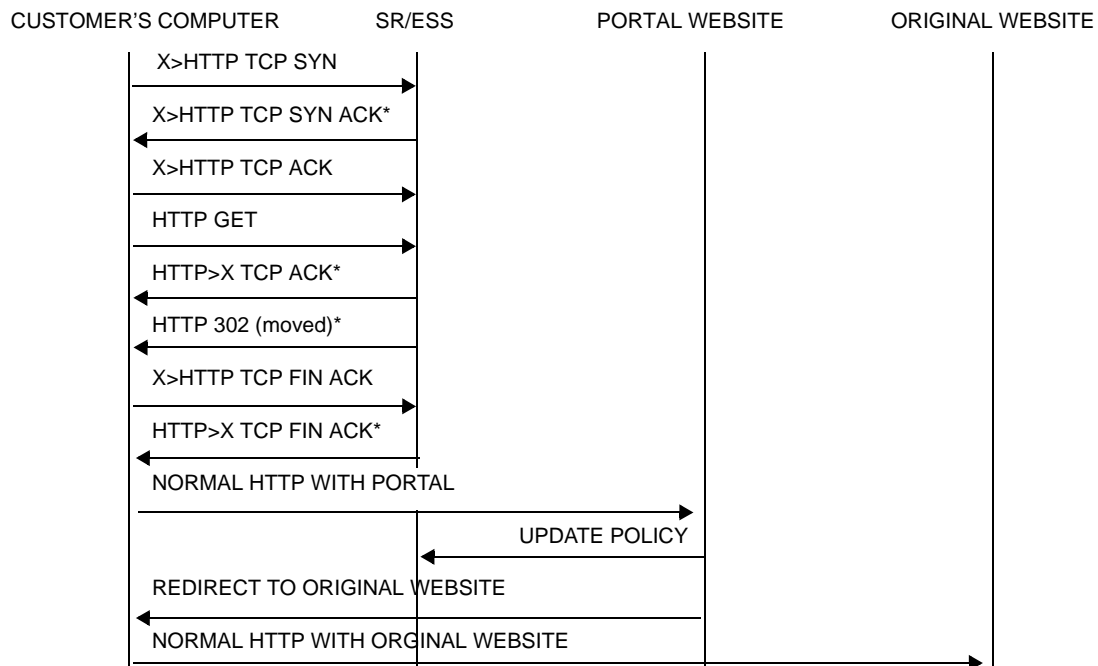
Redirection policies can be configured on 7750 SR devices. Redirection policies were designed for testing purposes. The new redirection policy can now block a customer's request from an intended recipient and force the customer to connect to the service's portal server. 255 unique entries with http-redirect are allowed.

---

#### Traffic Flow

The following example provides a brief scenario of a customer connection with web redirection.

1. The customer gets an IP address using DHCP (if the customer is trying to set a static IP he will be blocked by the anti-spoofing filter).
2. The customer tries to connect to a website.
3. The router intercepts the HTTP GET request and blocks it from the network
4. The router then sends the customer a HTTP 302 (service temporarily unavailable/moved). The target URL should then include the customer's IP and MAC addresses as part of the portal's URL.
5. The customer's web browser will then close the original connection and open a new connection to the web portal.
6. The web portal updates the ACL (directly or through SSC) to remove the redirection policy.
7. The customer connects to the original site.



**Figure 13: Web Redirect Traffic Flow**

Starred entries (\*) are items the router performs masquerading as the destination, regardless of the destination IP address or type of service.

Information needed by the filter that may be sent to the portal:

- Customer's IP address
- Customer's MAC address
- Original requested URL
- Customer's SAP
- Customer's subscriber identification string

Note that the subscriber identification string is available only when used with subscriber management. Refer to the subscriber management section of the 7750 SR OS Triple Play Guide and the 7750 SR OS Router Configuration Guide.

Since most web sites are accessed using the domain name the router allows either DNS queries or responds to DNS with the portal's IP address.

### VID Filters

VID Filters extend the capability of current Ethernet Ports with null or default SAP tag configuration to match and take action on VID tags. Service delimiting tags (for example QinQ 1/1/1:10.20 or dot1q 1/1/1:10, where outer tag 10 and inner tags 20 are service delimiting) allow fine grain control of frame operations based on the VID tag. Service delimiting tags are exact match and are stripped from the frame as illustrated in [Figure 14](#). Exact match or service delimiting Tags do not require VID filters. VID filters can only be used to match on frame tags that are after the service delimiting tags.

With VID Filters operators can choose to match VID tags for up to two tags on ingress or egress or both.

- The outer-tag is the first tag in the packet that is carried transparently through the service.
- The inner-tag is the second tag in the packet that is carried transparently through the service.

VID Filters add the capability to perform VID value filter policies on default tags (1/1/1:\* or 1/1/1:x.\*, or 1/1/1:\*0), or null tags ( 1/1/1, 1/1/1:0 or 1/1/1:x.0). The matching is based on the port configuration and the SAP configuration.

In the industry the QinQ tags are often referred to as the C-VID (Customer VID) and S-VID (service VID). The terms outer tag and inner tag allow flexibility without having to refer to C-TAG and an S-TAG explicitly.. The position of inner and outer tags is relative to the port configuration and SAP configuration. Matching of tags is allowed for up to the first two tags on a frame. Since service delimiting tags may be 0, 1 or 2 tags.

The meaning of inner and outer has been designed to be consistent for egress and ingress when the number of non service delimiting tags is consistent. Service 1 in [Figure 14](#) shows a conversion from qinq to a single dot1q example where there is one non-service delimiting tag on ingress and egress. Service 2 shows a symmetric example with two non-service delimiting tags (plus and additional tag for illustration) to two non-service delimiting tags on egress. Service 3 illustrates single non-service delimiting tags on ingress and to two tags with one non-service delimiting tag on ingress and egress.

SAP-ingress QoS setting allows for MAC-criteria type VID which uses the VID filter matching capabilities [QoS and VID Filters \(moved to QoS guide\) on page 313](#).

A VID filter entry can be used as a debug or lawful intercept mirror source entry.



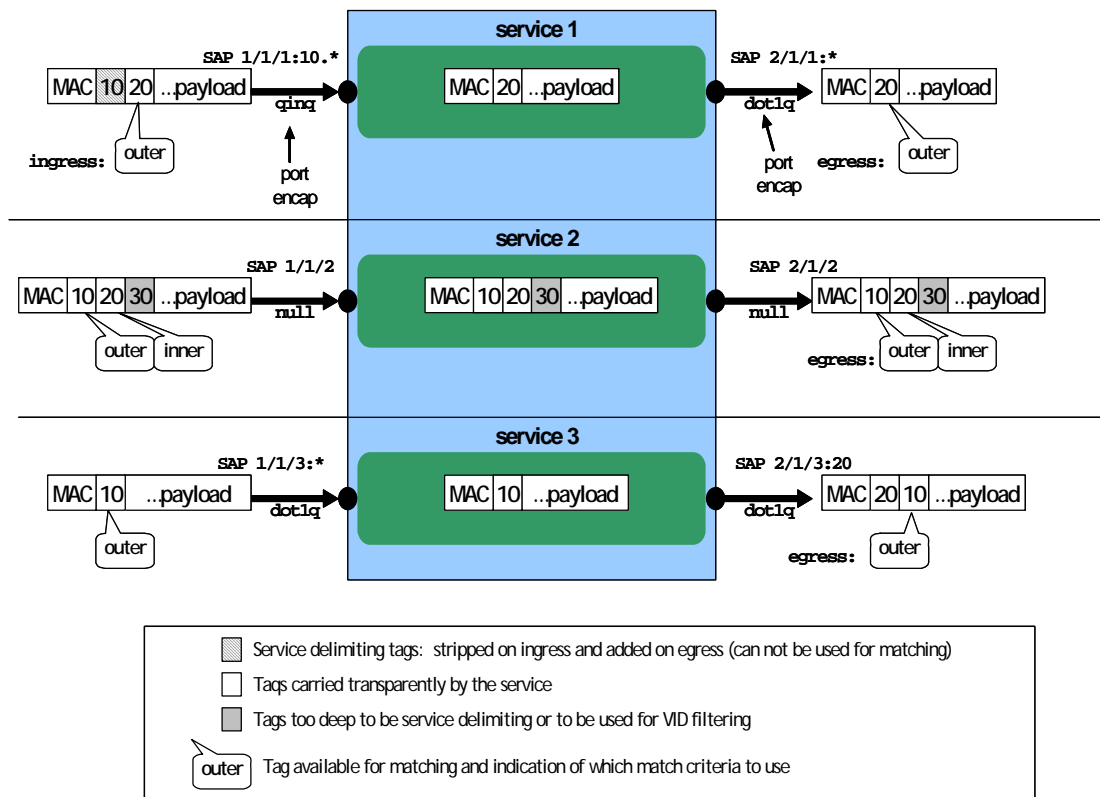


Figure 14: VID Filtering Examples

VID filters are available on Ethernet SAPs for Epipe, VPLS or I-VPLS including eth-tunnel and eth-ring services.

### Arbitrary Bit Matching of VID Filters

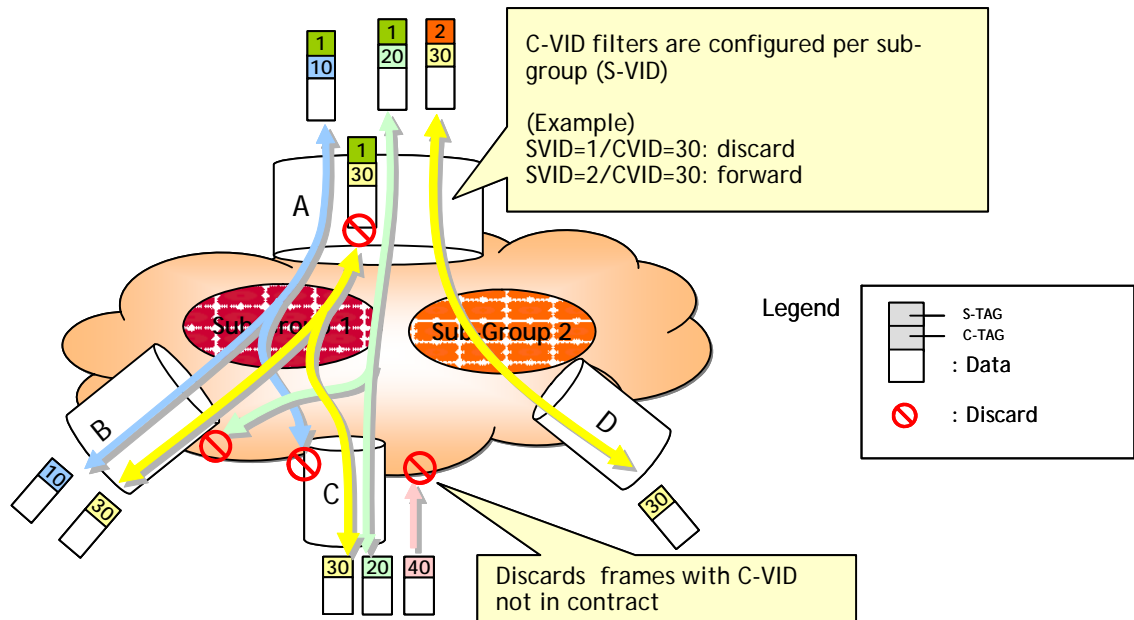
In addition to matching an exact value, a VID filter mask allows masking any set of bits. The masking operation is  $((\text{value} \& \text{vid-mask}) = (\text{tag and vid-mask}))$ . For example: A value of 6 and a mask of 7 would match all VIDs with the lower 3 bits set to 6. VID filters allow explicit matching of VIDs and matching of any bit pattern within the VID tag.

When using VID filters on SAPs only VID filters are allowed on this SAP. Filters of type normal and ISID are not allowed.

An additional check for the “0” VID tag may be required when using certain wild card operations. For example frames with no tags on null encapsulated ports will match a value of 0 in outer tag and inner tag because there are no tags in the frame for matching. If a zero tag is possible but not desired it can be explicitly filtered using exact match on “0” prior to testing other bits for “0”.

Note that **configure>system>ethernet>new-qinq-untagged-sap** is a special QinQ function for single tagged QinQ frames with a null second tag. Using this in combination with VID filters is not recommended. Note that the outer-tag is the only tag available for filtering on egress for frames arriving from MPLS SDPs or from PBB services even though additional tags may be carried transparently.

## Port Group Configuration Example



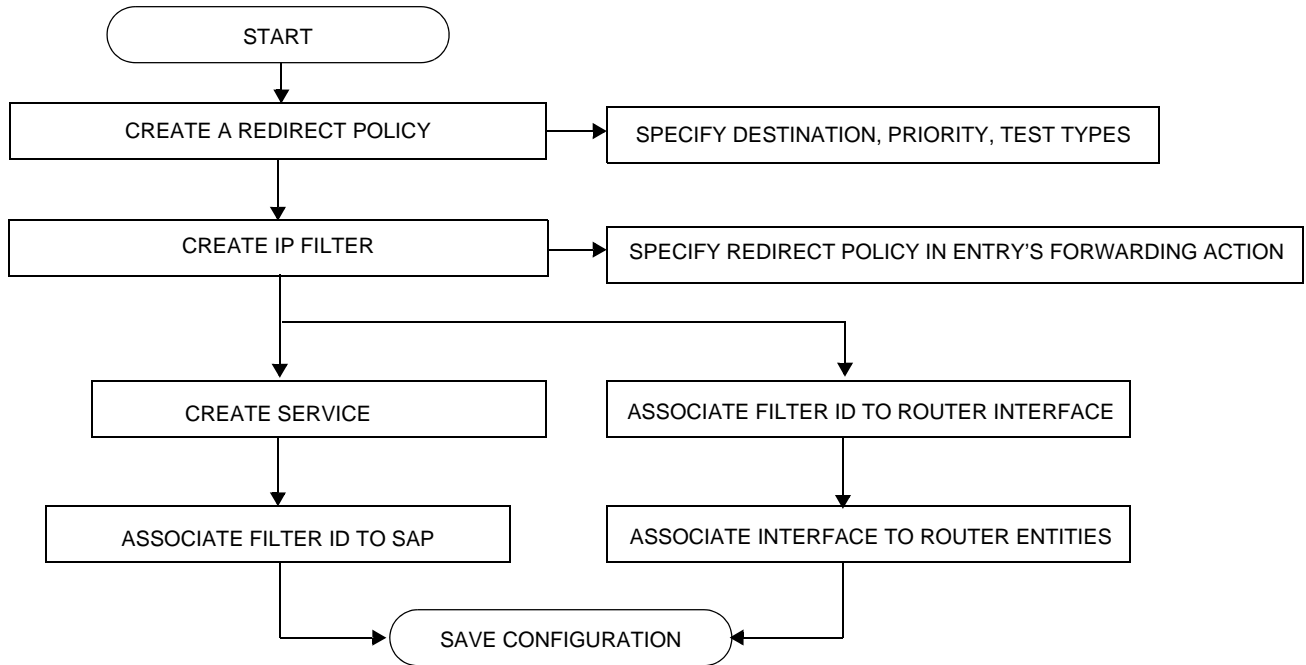
**Figure 15: Port Groups**

Figure 15 shows a customer use example where some VLANs are prevented from ingress or egressing certain ports. In the example, port A sap 1/1/1:1.\* would have a filter as shown below while port A sap 1/1/1:2.\* would not.:

```
mac-filter 4 create
 default-action forward
 type vid
 entry 1 create
 match frame-type ethernet_II
 outer-tag 30 4095
 exit
 action drop
 exit
exit
```

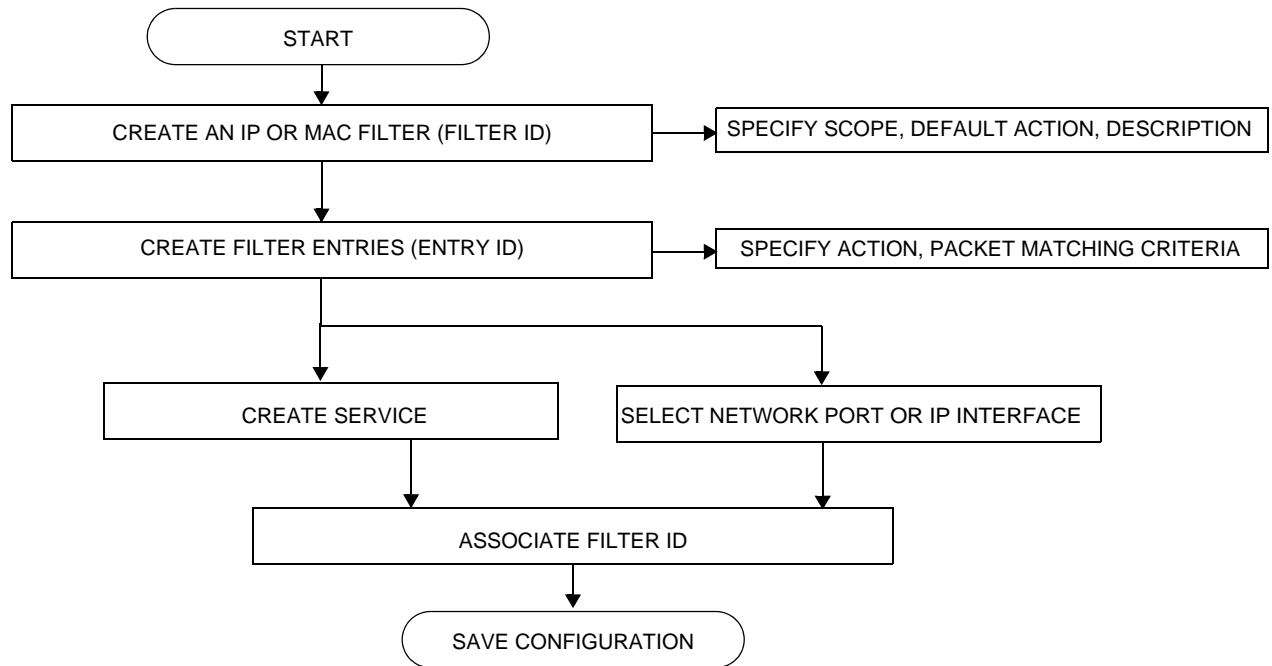
## Creating and Applying Policies

Figure 16 displays the process to create redirect policies and apply them to a service SAP or router interface.



**Figure 16: Filter Creation and Implementation Flow**

Figure 17 displays the process to create filter policies and apply them to a service or network port.



**Figure 17: Creating and Applying Filter Policies**

### Packet Matching Criteria

Up to 65535 IP and 65535 MAC filter IDs (unique filter policies) can be defined. A maximum of 16384 filter entries can be defined in one filter at the same time. Each filter ID can contain up to 65535 filter entries. A maximum of 16384 filter entries can be defined in 1 filter at the same time. As few or as many match parameters can be specified as required, but all conditions must be met in order for the packet to be considered a match and the specified action performed. The process stops when the first complete match is found and then executes the action defined in the entry, either to drop or forward packets that match the criteria.

IP filter policies match criteria that associate traffic with an ingress or egress SAP. Matching criteria to drop or forward IP traffic include:

- Source IP address and mask  
Source IP address and mask values can be entered as search criteria. The IP Version 4 addressing scheme consists of 32 bits expressed in dotted decimal notation (X.X.X.X).  
Address ranges are configured by specifying mask values, the 32-bit combination used to describe the address portion which refers to the subnet and which portion refers to the host. The mask length is expressed as an integer (range 1 to 32).  
The IP Version 6 (IPv6) addressing scheme consists of 128 bits expressed in compressed representation of IPv6 addresses (RFC 1924, *A Compact Representation of IPv6 Addresses*).
- Destination IP address and mask — Destination IP address and mask values can be entered as search criteria.
- Protocol — Entering a protocol ID (such as TCP, UDP, etc.) allows the filter to search for the protocol specified in this field.
- Protocol — For IPv6: entering a next header allows the filter to match the first next header following the IPv6 header.
- Source port/range — Entering the source port number or port range allows the filter to search for matching TCP or UDP port and range values.
- Destination port/range — Entering the destination port number or port range allows the filter to search for matching TCP or UDP values .
- DSCP marking — Entering a DSCP marking enables the filter to search for the DSCP marking specified in this field. See [Table 8, DSCP Name to DSCP Value Table, on page 353](#).
- ICMP code — Entering an ICMP code allows the filter to search for matching ICMP code in the ICMP header.
- ICMP type — Entering an ICMP type allows the filter to search for matching ICMP types in the ICMP header.

- Fragmentation — IPv4 only: Enable fragmentation matching. A match occurs if packets have either the MF (more fragment) bit set or have the Fragment Offset field of the IP header set to a non-zero value.
- Option value — Entering an option value enables the first filter to search for a specific IP option.
- Option present — Enabling the option presence allows the filter to search for presence or absence of IP options in the packet. Padding and EOOL are also considered as IP options.
- TCP-ACK/SYN flags — Entering a TCP-SYN/TCP-ACK flag allows the filter to search for the TCP flags specified in these fields.

MAC filter policies match criteria that associate traffic with an ingress or egress SAP. Matching criteria to drop or forward MAC traffic include:

- Frame type  
Entering the frame type allows the filter to match for a specific type of frame format; for example, Ethernet-II will match for only ethernet-II frames.
- Source MAC address and mask  
Entering the source MAC address range allows the filter to search for matching a source MAC address and/or range. Enter the source MAC address and mask in the form of xx:xx:xx:xx:xx:xx or xx-xx-xx-xx-xx-xx; for example, 00:dc:98:1d:00:00.
- Destination MAC address and mask  
Entering the destination MAC address range allows the filter to search for matching a destination MAC address and/or range. Enter the destination MAC address and mask in the form of xx:xx:xx:xx:xx:xx or xx-xx-xx-xx-xx-xx; for example, 02:dc:98:1d:00:01.
- Dot1p and mask  
Entering an IEEE 802.1p value or range allows the filter to search for matching 802.1p frame. The Dot1p and mask accepts decimal, hex, or binary in the range of 0 to 7.
- Ethertype  
Entering an Ethernet type II Ethertype value to be used as a filter match criterion. The Ethernet type field is a two-byte field used to identify the protocol carried by the Ethernet frame. The Ethertype accepts decimal, hex, or binary in the range of 1536 to 65535.
- IEEE 802.2 LLC SSAP  
Specifying an Ethernet 802.2 LLC DSAP value allows the filter to match a source access point on the network node designated in the source field of a packet. The SSAP and mask accepts decimal, hex, and binary in the range of 0 to 255.
- IEEE 802.2 LLC DSAP  
Specifying an Ethernet 802.2 LLC DSAP value allows the filter to match a destination access point on the network node designated in the destination field of a packet. The DSAP and mask accepts decimal, hex, and binary in the range of 0 to 255.

- IEEE 802.3 LLC SNAP PID

Specifying an Ethernet IEEE 802.3 LLC SNAP PID allows the filter to match the two-byte protocol ID that follows the three-byte OUI field. The DSAP and mask accepts decimal and hex in the range of 0 to 65535.

- IEEE 802.1ag ISID from the I-TAG – allows the filter to match the 24 bits ISID value from the PBB I-TAG. This match criteria is mutually exclusive with all the other match criteria under a particular mac-filter list. The resulting mac-filter can be applied as required on a BVPLS SAP or PW basis just in the egress direction. A new **mac-filter type** attribute is defined to control the use of ISID match criteria and must be set to **isid** to allow the use of isid match criteria. The ISID tag is identified using the PBB ethertype provisioned under `config>port>ethernet>pbb-etype`.



## DSCP Values

Table 8: DSCP Name to DSCP Value Table

| DSCP Name | Decimal DSCP Value | Hexadecimal DSCP Value | Binary DSCP Value |
|-----------|--------------------|------------------------|-------------------|
| default   | 0                  | *                      |                   |
| cp1       | 1                  |                        |                   |
| cp2       | 2                  |                        |                   |
| cp3       | 3                  |                        |                   |
| cp4       | 4                  |                        |                   |
| cp5       | 5                  |                        |                   |
| cp6       | 6                  |                        |                   |
| cp7       | 7                  | *                      |                   |
| cs1       | 8                  |                        |                   |
| cp9       | 9                  |                        |                   |
| af10      | 10                 | *                      |                   |
| af11      | 11                 | *                      |                   |
| af12      | 12                 | *                      |                   |
| cp13      | 13                 |                        |                   |
| cp14      | 14                 |                        |                   |
| cp15      | 15                 |                        |                   |
| cs2       | 16                 | *                      |                   |
| cp17      | 17                 |                        |                   |
| af21      | 18                 | *                      |                   |
| cp19      | 19                 |                        |                   |
| af22      | 20                 | *                      |                   |
| cp21      | 21                 |                        |                   |
| af23      | 22                 | *                      |                   |
| cp23      | 23                 |                        |                   |
| cs3       | 24                 | *                      |                   |
| cp25      | 25                 |                        |                   |
| af31      | 26                 | *                      |                   |
| cp27      | 27                 |                        |                   |
| af32      | 28                 | *                      |                   |
| cp29      | 29                 |                        |                   |

**Table 8: DSCP Name to DSCP Value Table (Continued)**

| <b>DSCP Name</b> | <b>Decimal DSCP Value</b> | <b>Hexadecimal DSCP Value</b> | <b>Binary DSCP Value</b> |
|------------------|---------------------------|-------------------------------|--------------------------|
| af33             | 30                        | *                             |                          |
| cp21             | 31                        |                               |                          |
| cs4              | 32                        | *                             |                          |
| cp33             | 33                        |                               |                          |
| af41             | 34                        | *                             |                          |
| cp35             | 35                        |                               |                          |
| af42             | 36                        | *                             |                          |
| cp37             | 37                        |                               |                          |
| af43             | 38                        | *                             |                          |
| cp39             | 39                        |                               |                          |
| cs5              | 40                        | *                             |                          |
| cp41             | 41                        |                               |                          |
| cp42             | 42                        |                               |                          |
| cp43             | 43                        |                               |                          |
| cp44             | 44                        |                               |                          |
| cp45             | 45                        |                               |                          |
| ef               | 46                        | *                             |                          |
| cp47             | 47                        |                               |                          |
| nc1              | 48                        | *                             | (cs6)                    |
| cp49             | 49                        |                               |                          |
| cp50             | 50                        |                               |                          |
| cp51             | 51                        |                               |                          |
| cp52             | 52                        |                               |                          |
| cp53             | 53                        |                               |                          |
| cp54             | 54                        |                               |                          |
| cp55             | 55                        |                               |                          |
| cp56             | 56                        |                               |                          |
| cp57             | 57                        |                               |                          |
| nc2              | 58                        | *                             | (cs7)                    |
| cp60             | 60                        |                               |                          |
| cp61             | 61                        |                               |                          |
| cp62             | 62                        |                               |                          |

## IP Option Values

Table 9: IP Option Values

| Copy | Class | Number | Value | Name   | Description                          |
|------|-------|--------|-------|--------|--------------------------------------|
| 0    | 0     | 0      | 0     | EOOL   | End of options list                  |
| 0    | 0     | 1      | 1     | NOP    | No operation                         |
| 0    | 0     | 7      | 7     | RR     | Record route                         |
| 0    | 0     | 10     | 10    | ZSU    | Experimental measurement             |
| 0    | 0     | 11     | 11    | MTUP   | MTU probe                            |
| 0    | 0     | 12     | 12    | MTUR   | MTU reply                            |
| 0    | 0     | 15     | 15    | ENCODE |                                      |
| 0    | 2     | 4      | 68    | TS     | Time stamp                           |
| 0    | 2     | 18     | 82    | TR     | Traceroute                           |
| 1    | 0     | 2      | 130   | SEC    | Security                             |
| 1    | 0     | 3      | 131   | LSR    | Loose source router                  |
| 1    | 0     | 5      | 133   | E-SEC  | Extended security                    |
| 1    | 0     | 6      | 134   | CIPSO  | Commercial security                  |
| 1    | 0     | 8      | 136   | SID    | Stream id                            |
| 1    | 0     | 9      | 137   | SSR    | Strict source route                  |
| 1    | 0     | 14     | 142   | VISA   | Experimental Access Control [Estrin] |
| 1    | 0     | 16     | 144   | IMITD  | IMI Traffic Descriptor               |
| 1    | 0     | 17     | 145   | EIP    | Extended Internet Protocol           |
| 1    | 0     | 19     | 147   | ADDEXT | Address Extension                    |
| 1    | 0     | 20     | 148   | RTRALT | Router alert                         |
| 1    | 0     | 21     | 149   | SDB    | Selective directed broadcast         |
| 1    | 0     | 22     | 150   | NSAPA  | NSAP addresses                       |
| 1    | 0     | 23     | 151   | DPS    | Dynamic packet state                 |
| 1    | 0     | 24     | 152   | UMP    | Upstream multicast packet            |
| 1    | 2     | 13     | 205   | FINN   | Experimental flow control            |

### Ordering Filter Entries

When entries are created, they should be arranged sequentially from the most explicit entry to the least explicit. Filter matching ceases when a packet matches an entry. The entry action is performed on the packet. 7750 SR supports either drop or forward action. To be considered a match, the packet must meet all the conditions defined in the entry.

Packets are compared to entries in a filter policy in an ascending entry ID order. To reorder entries in a filter policy, edit the entry ID value; for example, to reposition entry ID 6 to a more explicit location, change the entry ID 6 value to entry ID 2.

When a filter consists of a single entry, the filter executes actions as follows:

- If a packet matches all the entry criteria, the entry's specified action is performed (drop or forward).
- If a packet does not match all of the entry criteria, the policy's default action is performed.

If a filter policy contains two or more entries, packets are compared in ascending entry ID order (1, 2, 3 or 10, 20, 30, etc.):

- Packets are compared with the criteria in the first entry ID.
- If a packet matches all the properties defined in the entry, the entry's specified action is executed.
- If a packet does not completely match, the packet continues to the next entry, and then subsequent entries.
- If a packet does not completely match any subsequent entries, then the default action is performed.

Figure 18 displays an example of several packets forwarded upon matching the filter criteria and several packets traversing through the filter entries and then dropped.

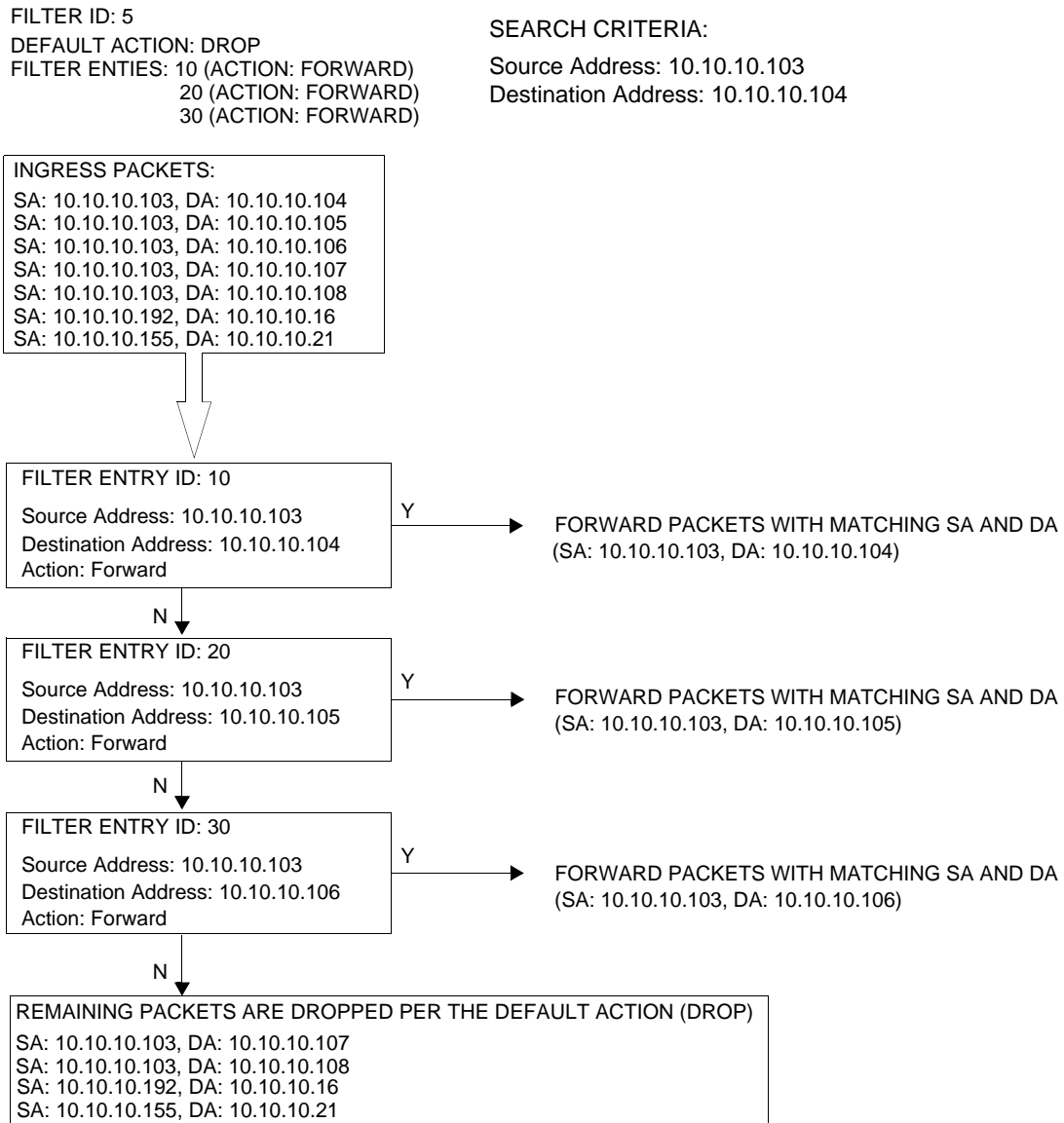


Figure 18: Filtering Process Example

### Applying Filters

After filters are created, they can be applied to the following entities:

- [Applying a Filter to a SAP on page 358](#)
  - [Applying a Filter to a Network Port on page 358](#)
- 

#### Applying a Filter to a SAP

During the SAP creation process, ingress and egress filters are selected from a list of qualifying IP and MAC filters. When ingress filters are applied to a SAP, packets received at the SAP are checked against the matching criteria in the filter entries. If the packet completely matches all criteria in an entry, the checking stops and an entry action is performed. If permitted, the traffic is forwarded according to the specification of the action. If the packets do not match, the default filter action is applied. If permitted, the traffic is forwarded.

When egress filters are applied to a SAP, packets received at the egress SAP are checked against the matching criteria in the filter entries. If the packet completely matches all criteria in an entry, the checking stops. If permitted, the traffic is transmitted. If denied, the traffic is dropped. If the packets do not match, the default filter action is applied.

Filters can be added or changed to an existing SAP configuration by modifying the SAP parameters. Filter policies are not operational until they are applied to a SAP and the service enabled.

---

#### Applying a Filter to a Network Port

An IP filter can be applied to a network port. Packets received on the interface are checked against the matching criteria in the filter entries. If the packet completely matches all criteria in an entry, the checking stops. If permitted, the traffic is forwarded. If the packets do not match, they are discarded or forwarded based on the default action specified in the policy.

## Configuration Notes

The following information describes filter implementation caveats:

- Creating a filter policy is optional.
- Associating a service with a filter policy is optional.
- When a filter policy is configured, it should be defined as having either an *exclusive* scope for one-time use, or a *template* scope meaning that the filter can be applied to multiple SAPs.
- A specific filter must be explicitly associated with a specific service in order for packets to be matched.
- Each filter policy must consist of at least one filter entry. Each entry represents a collection of filter match criteria. When packets enter the ingress or egress ports, packets are compared to the criteria specified within the entry or entries.
- When a large (complex) filter is configured, it may take a few seconds to load the filter policy configuration and be instantiated.
- The action keyword must be entered for the entry to be active. Any filter entry without the action keyword will be considered incomplete and be inactive.

---

## MAC Filters

- If a MAC filter policy is created with an entry and entry action specified but the packet matching criteria is not defined, then all packets processed through this filter policy entry will pass and take the action specified. There are no default parameters defined for matching criteria.
- MAC filters cannot be applied to network interfaces, routable VPLS or IES services.
- MAC filters cannot be applied to network interfaces.
- Some of the MAC match criteria fields are exclusive to each other, based on the type of Ethernet frame. Use the following table to determine the exclusivity of fields.

**Table 10: MAC Match Criteria Exclusivity Rules**

| Frame Format  | Etype | LLC – Header<br>(ssap & dsap) | SNAP-OUI | SNAP- PID |
|---------------|-------|-------------------------------|----------|-----------|
| Ethernet – II | Yes   | No                            | No       | No        |
| 802.3         | No    | Yes                           | No       | No        |
| 802.3 – snap  | No    | No <sup>a</sup>               | Yes      | Yes       |

- a. When snap header is present, this is always set to AA-AA.
- 

## IP Filters

- Define filter entry packet matching criteria — If a filter policy is created with an entry and entry action specified but the packet matching criteria is not defined, then all packets processed through this filter policy entry will pass and take the action specified. There are no default parameters defined for matching criteria.
  - Action — An action parameter must be specified for the entry to be active. Any filter entry without an action parameter specified will be considered incomplete and be inactive.
  - When you configure a filter policy which is intended for filter-based mirroring, you must specify that the scope is *exclusive*.
- 

## IPv6 Filters

- Define filter entry packet matching criteria — If a filter policy is created with an entry and entry action specified but the packet matching criteria is not defined, then all packets processed through this filter policy entry will pass and take the action specified. There are no default parameters defined for matching criteria.
  - Action — An action parameter must be specified for the entry to be active. Any filter entry without an action parameter specified will be considered incomplete and be inactive.
- 

## Log Filter

- Summarization logging is the collection and summarization of log messages for 1 specific log-id within a period of time.
- Filter log can be applied to different filters or CPM hardware filters.
- The implementation of the feature applies to filter logs with destination syslog.
- In case of VPLS scenario both Layer 2 & Layer 3 are applicable.
  - Layer 2: Source MAC or optionally destination MAC
  - Layer 3: Source IPv6 or optionally destination IPv6 for Layer 3 filters.
- The summarization interval is 100 seconds.
- Upon activation of a summary, a mini-table with src/dst-address and count is created for each type (IP/IPv6/MAC).



- Every received log packet (due to filter hit) is examined for source or destination address. If the log packet (source/destination address) matches a source/destination address entry in the mini-table a packet received previously), the summary counter of the matching address is incremented.
- If source or destination address of the log messages does not match an entry already present in the table, the source/destination address is stored in a free entry in the mini-table.
- In case the mini-table has no more free entries, only total counter is incremented.
- At expiry of the summarization interval, the mini-table for each type is flushed to the syslog destination.



## Configuring Filter Policies with CLI

This section provides information to configure filter policies using the command line interface.

Topics in this section include:

- [Basic Configuration on page 364](#)
- [Common Configuration Tasks on page 365](#)
  - [Creating an IP Filter Policy on page 365](#)
  - [Creating an IPv6 Filter Policy on page 370](#)
  - [Creating Filter Log Policies on page 377](#)
  - [Applying Filter Policies on page 378](#)
  - [Apply Filter Policies to a Network Port on page 381](#)
  - [Creating a Redirect Policy on page 383](#)
  - [Configuring Policy-Based Forwarding for Deep Packet Inspection in VPLS on page 384](#)
- [Filter Management Tasks on page 387](#)
  - [Renumbering Filter Policy Entries on page 387](#)
  - [Modifying an IP Filter Policy on page 389](#)
  - [Deleting a Filter Policy on page 393](#)
  - [Deleting a Filter Policy on page 393](#)
  - [Copying Filter Policies on page 399](#)

## Basic Configuration

The most basic IP, IPv6 and MAC filter policies must have the following:

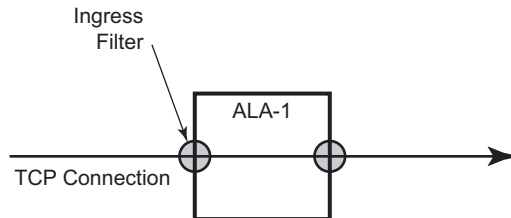
- A filter ID
- Template scope, either *exclusive* or *template*
- Default action, either drop or forward
- At least one filter entry
  - Specified action, either drop or forward
  - Specified matching criteria

The following example displays a sample configuration of an IP filter policy. The configuration blocks all incoming TCP session except Telnet and allows all outgoing TCP sessions from IP net 10.67.132.0/24. [Figure 19](#) depicts the interface to apply the filter.

```
A:ALA-1>config>filter# info

ip-filter 3 create
 entry 10 create
 match protocol 6
 dst-port eq 23
 src-ip 10.67.132.0/24
 exit
 action forward
exit
entry 20 create
 match protocol 6
 tcp-syn true
 tcp-ack false
 exit
 action drop
exit
exit

A:ALA-1>config>filter#
```



OSRG007

**Figure 19: Applying an IP Filter to an Ingress Interface**

## Common Configuration Tasks

This section provides a brief overview of the tasks that must be performed for both IP and MAC filter configurations and provides the CLI commands.

To configure a filter policy, perform the following tasks:

- [Creating an IP Filter Policy on page 365](#)
  - [Creating an IPv6 Filter Policy on page 370](#)
  - [Creating a MAC Filter Policy on page 372](#)
  - [Creating Filter Log Policies on page 377](#)
  - [Applying Filter Policies on page 378](#)
  - [Apply Filter Policies to a Network Port on page 381](#)
- 

## Creating an IP Filter Policy

Configuring and applying filter policies is optional. Each filter policy must have the following:

- The filter type specified (IP)
  - A filter policy ID
  - A default action, either drop or forward
  - Filter policy scope specified, either *exclusive* or *template*
  - At least one filter entry with matching criteria specified
- 

## IP Filter Policy

The following displays an exclusive filter policy configuration example:

```
A:ALA-7>config>filter# info

...
 ip-filter 12 create
 description "IP-filter"
 scope exclusive
 exit
...

A:ALA-7>config>filter#
```

## IP Filter Entry

Within a filter policy, configure filter entries which contain criteria against which ingress, egress, or network traffic is matched. The action specified in the entry determine how the packets are handled, either dropped or forwarded.

- Enter a filter entry ID. The system does not dynamically assign a value.
- Assign an action, either drop or forward.
- Specify matching criteria.

Use the following CLI syntax to create an IP filter entry:

**CLI Syntax:** `config>filter# ip-filter filter-id [create]  
                  entry entry-id [time-range time-range-name] [create]  
                  description description-string`

The following displays an IP filter entry configuration example.

```
A:ALA-7>config>filter>ip-filter# info

description "filter-main"
scope exclusive
entry 10 create
 description "no-91"
 match
 exit
 no action
exit
exit

A:ALA-7>config>filter>ip-filter#
```

## Configuring the HTTP-Redirect Option

If http-redirect is specified as an action, a corresponding forward entry must be specified before the redirect. Note that http-redirect is not supported on 7750 SR-1 or 7450 ESS-1 models.

The following displays an http-redirect configuration example:

```
A:ALA-48>config>filter>ip-filter# info

description "filter-main"
scope exclusive
entry 10 create
 description "no-91"
 match
 dst-ip 10.10.10.91/24
 src-ip 10.10.0.100/24
 exit
 no action
exit
entry 20 create
 match protocol tcp
 dst-ip 100.0.0.2/32
 dst-port eq 80
 exit
 action forward
exit
entry 30 create
 match protocol tcp
 dst-ip 10.10.10.91/24
 dst-port eq 80
 exit
 action http-redirect "http://100.0.0.2/login.cgi?mac=MACsap=$S
AP&ip=$IP&orig_url=$URL"
 exit

A:ALA-48>config>filter>ip-filter#
```

### Filter Sampling

Within a filter entry, you can specify that traffic matching the associated IP filter entry is sampled. If the IP interface is set to cflowd ip-filter mode. Enabling filter-sample enables the cflowd tool.

The following displays an IP filter entry configuration example.

```
A:ALA-7>config>filter>ip-filter# info

description "filter-main"
scope exclusive
entry 10 create
description "no-91"
filter-sample
interface-disable-sample
match
exit
action forward redirect-policy redirect1
exit

A:ALA-7>config>filter>ip-filter#
```



## IP Entry Matching Criteria

Use the following CLI syntax to configure IP filter matching criteria:

The following displays an IP filter matching configuration.

```
*A:ALA-48>config>filter>ip-filter# info

description "filter-mail"
scope exclusive
entry 10 create
 description "no-91"
 filter-sample
 interface-disable-sample
 match
 dst-ip 10.10.10.91/24
 src-ip 10.10.10.103/24
 exit
 action forward redirect-policy redirect2
exit

*A:ALA-48>config>filter>ip-filter#
```

## Creating an IPv6 Filter Policy

Configuring and applying IPv6 filter policies is optional. Each filter policy must have the following:

- The IPv6 filter type specified
  - An IPv6 filter policy ID
  - A default action, either drop or forward.
  - Template scope specified, either *exclusive* or *template*
  - At least one filter entry with matching criteria specified
- 

### IPv6 Filter Policy

Use the following CLI syntax to create an IPv6 filter policy:

The following displays an IPv6 filter policy configuration example:

```
A:ALA-49>config>filter>ipv6-filter# info

 description "New IPv6 filter info"
 scope exclusive
 exit

A:ALA-49>config>filter>ipv6-filter# tree detail
```

## IPv6 Filter Entry

Within an IPv6 filter policy, configure filter entries which contain criteria against which ingress, egress, or network traffic is matched. The action specified in the entry determine how the packets are handled, either dropped or forwarded.

- Enter an IPv6 filter entry ID. The system does not dynamically assign a value.
- Assign an action, either drop or forward.
- Specify matching criteria.

The following displays an IPv6 filter entry configuration example.

```
A:ALA-49>config>filter>ipv6-filter# info

description "New IPv6 filter info"
scope exclusive
entry 1 create
 match
 dst-ip 11::12/128
 src-ip 13::14/128
 exit
 action drop
exit

A:ALA-49>config>filter>ipv6-filter#
```

## Creating a MAC Filter Policy

Configuring and applying filter policies is optional. Each filter policy must have the following:

- The filter type specified (MAC).
  - A filter policy ID.
  - A default action, either drop or forward.
  - Filter policy scope, either *exclusive* or *template*.
  - At least one filter entry.
  - Matching criteria specified.
- 

### MAC Filter Policy

The following displays an MAC filter policy configuration example:

```
A:ALA-7>config>filter# info

...
 mac-filter 90 create
 description "filter-west"
 scope exclusive
 exit

A:ALA-7>config>filter#
```

## Creating an ISID Filter

The following displays an ISID filter configuration example:

```
A;ALA-7>config>filter# info

mac-filter 90 create
 description "filter-wan-man"
 scope template
 type isid
 entry 1 create
 description "drop-local-isids"
 match
 isid 100 to 1000
 exit
 action drop
 exit
 entry 2 create
 description "allow-wan-isids"
 match
 isid 150
 exit
 action forward
 exit
```

## Creating a VID Filter

The following displays VID filter configuration example:

```
A:TOP_NODE>config>filter>mac-filter# info

default-action forward
type vic
entry 1 create
 match frame-type ethernet_II
 ouiter-tag 85 4095
 exit
 action drop
exit
entry 2 create
 match frame-type ethernet_II
 ouiter-tag 43 4095
 exit
 action drop
exit

A:TOP_NODE>config>filter>mac-filter#
```

## MAC Filter Entry

Within a filter policy, configure filter entries which contain criteria against which ingress, egress, or network traffic is matched. The action specified in the entry determine how the packets are handled, either dropped or forwarded.

- Enter a filter entry ID. The system does not dynamically assign a value.
- Assign an action, either drop or forward.
- Specify matching criteria.

The following displays a MAC filter entry configuration example:

```
A:sim1>config>filter# info

 mac-filter 90 create
 entry 1 create
 description "allow-104"
 match
 exit
 action drop
 exit
 exit

A:sim1>config>filter#
```

## MAC Entry Matching Criteria

The following displays a filter matching configuration example.

```
A:ALA-7>config>filter>mac-filter# info

description "filter-west"
scope exclusive
entry 1 create
 description "allow-104"
 match
 src-mac 00:dc:98:1d:00:00 ff:ff:ff:ff:ff:ff
 dst-mac 02:dc:98:1d:00:01 ff:ff:ff:ff:ff:ff
 exit
 action drop
exit

A:ALA-7>config>filter#
```



## Creating Filter Log Policies

The following displays a filter matching configuration example.

```
A:ALA-48>config>filter>log# info detail

 description "Test filter log."
 destination memory 1000
 wrap-around
 no shutdown

A:ALA-48>config>filter>log#
```

## Applying Filter Policies

**Table 11: Applying Filter Policies**

| IP Filter                     | MAC Filter                    | IPv6 Filter       |
|-------------------------------|-------------------------------|-------------------|
| Epipe SAP, spoke SDP          | Epipe SAP, spoke SDP          | N/A               |
| Fpipe SAP, spoke SDP          | N/A                           | N/A               |
| IES interface SAP             | N/A                           | IES interface SAP |
| Ipipe SAP, spoke SDP          | N/A                           | N/A               |
| VPLS mesh SDP, spoke SDP, SAP | VPLS mesh SDP, spoke SDP, SAP | N/A               |
| VPRN interface SAP, spoke SDP | N/A                           | N/A               |

### Apply IP and MAC Filter Policies

The following example shows an example of applying an IP and a MAC filter policy to an Epipe service:

```

CLI Syntax: config>service# epipe service-id
 sap sap-id
 egress
 filter {ip ip-filter-id | mac mac-filter-id}
 ingress
 filter {ip ip-filter-id | mac mac-filter-id}
 spoke-sdp sdp-id:vc-id [vc-type {ether | vlan}]
 egress
 filter {ip ip-filter-id | mac-filter-id}
 ingress
 filter {ip ip-filter-id | mac-filter-id}

```

The following output displays IP and MAC filters assigned to an ingress and egress SAP and spoke SDP:

```

A:ALA-48>config>service>epipe# info

 sap 1/1/1.1.1 create
 ingress
 filter ip 10
 exit

```

```
 egress
 filter mac 92
 exit
 exit
spoke-sdp 8:8 create
 ingress
 filter ip 10
 exit
 egress
 filter mac 91
 exit
exit
no shutdown
```

-----  
A:ALA-48>config>service>epipe#

## Apply an IPv6 Filter Policy to an IES SAP

The following output displays an IPv6 filters assigned to an IES service interface:

```
A:ALA-48>config>service>ies# info

 interface "testA" create
 address 192.22.1.1/24
 sap 2/1/3:0 create
 exit
 ipv6
 ingress
 filter ipv6 100
 egress
 filter ipv6 100
 exit
 exit
...

A:ALA-48>config>service>ies#
```

## Apply Filter Policies to a Network Port

IP filter policies can be applied to network IP interfaces. MAC filters cannot be applied to network IP interfaces or to routable IES services. IPv6 filter policies can be applied to network IP interfaces in the IPv6 context within the interface configuration.

---

### Apply an IP Interface

**CLI Syntax:** `config>router# interface ip-int-name`

The following displays an IP filter applied to an interface at ingress.

```
A:ALA-48>config>router# info
#-----
IP Configuration
#-----
...
 interface "to-104"
 address 10.0.0.103/24
 port 1/1/1
 ingress
 filter ip 10
 exit
 egress
 filter ip 10
 exit
 exit
...
#-----
A:ALA-48>config>router#
```

## Apply an IPv6 Interface

The following displays IPv6 filters applied to an interface at ingress and egress.

```
A:config>router>if# info

 port 1/1/1
 ipv6
 address 3FFE::101:101/120
 exit
 ingress
 filter ip 2
 filter ipv6 1
 exit
 egress
 filter ip 2
 filter ipv6 1
 exit

A:config>router>if#
```

## Creating a Redirect Policy

Configuring and applying redirect policies is optional. Each redirect policy must have the following:

- A destination IP address
- A priority (default is 100)
- At least one of the following tests must be enabled:
  - Ping test
  - SNMP test
  - URL test

---

The following displays a redirection policy configuration:

```
A:ALA-7>config>filter# info

redirect-policy "redirect1" create
 destination 10.10.10.104 create
 description "SNMP_to_104"
 priority 105
 snmp-test "SNMP-1"
 interval 30
 drop-count 30 hold-down 120
 exit
 no shutdown
exit
destination 10.10.10.105 create
 priority 95
 ping-test
 timeout 30
 drop-count 5
 exit
 no shutdown
exit
destination 10.10.10.106 create
 priority 90
 url-test "URL_to_106"
 url "http://aww.alcatel.com/ipd/"
 interval 60
 return-code 2323 4567 raise-priority 96
 exit
 no shutdown
exit
...

A:ALA-7>config>filter#
```

## Configuring Policy-Based Forwarding for Deep Packet Inspection in VPLS

The purpose policy-based forwarding is to capture traffic from a customer and perform a deep packet inspection (DPI) and forward traffic, if allowed, by the DPI.

In the following example, the split horizon groups are used to prevent flooding of traffic. Traffic from customers enter at SAP 1/1/5:5. Due to the mac-filter 100 that is applied on ingress, all traffic with dot1p 07 marking will be forwarded to SAP 1/1/22:1, which is the DPI.

DPI performs packet inspection/modification and either drops the traffic or forwards the traffic back into the box through SAP 1/1/21:1. Traffic will then be sent to spoke-sdp 3:5.

SAP 1/1/23:5 is configured to see if the VPLS service is flooding all the traffic. If flooding is performed by the router then traffic would also be sent to SAP 1/1/23:5 (which it should not).

Figure shows an example to configure policy-based forwarding for deep packet inspection on a VPLS service. For information about configuring services, refer to the 7750 SR OS Services Guide.

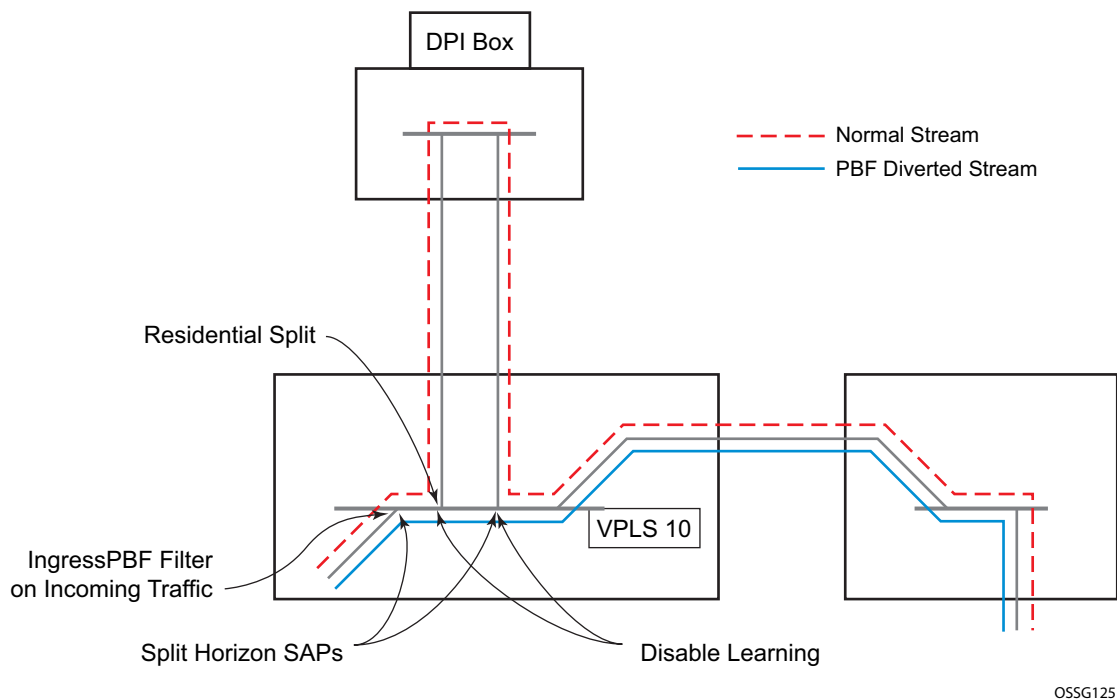


Figure 20: Policy-Based Forwarding for Deep Packet Inspection



The following displays a VPLS service configuration with DPI example:

```
*A:ALA-48>config>service# info

...
 vpls 10 customer 1 create
 service-mtu 1400
 split-horizon-group "dpi" residential-group create
 exit
 split-horizon-group "split" create
 exit
 stp
 shutdown
 exit
 sap 1/1/21:1 split-horizon-group "split" create
 disable-learning
 static-mac 00:00:00:31:11:01 create
 exit
 sap 1/1/22:1 split-horizon-group "dpi" create
 disable-learning
 static-mac 00:00:00:31:12:01 create
 exit
 sap 1/1/23:5 create
 static-mac 00:00:00:31:13:05 create
 exit
 no shutdown
 exit
...

*A:ALA-48>config>service#
```

The following displays a MAC filter configuration example:

```
*A:ALA-48>config>filter# info

...
 mac-filter 100 create
 default-action forward
 entry 10 create
 match
 dot1p 7 7
 exit
 log 101
 action forward sap 1/1/22:1
 exit
 exit
...

*A:ALA-48>config>filter#
```

## Common Configuration Tasks

The following displays the MAC filter added to the VPLS service configuration:

```
*A:ALA-48>config>service# info

...
 vpls 10 customer 1 create
 service-mtu 1400
 split-horizon-group "dpi" residential-group create
 exit
 split-horizon-group "split" create
 exit
 stp
 shutdown
 exit
 sap 1/1/5:5 split-horizon-group "split" create
 ingress
 filter mac 100
 exit
 static-mac 00:00:00:31:15:05 create
 exit
 sap 1/1/21:1 split-horizon-group "split" create
 disable-learning
 static-mac 00:00:00:31:11:01 create
 exit
 sap 1/1/22:1 split-horizon-group "dpi" create
 disable-learning
 static-mac 00:00:00:31:12:01 create
 exit
 sap 1/1/23:5 create
 static-mac 00:00:00:31:13:05 create
 exit
 spoke-sdp 3:5 create
 exit
 no shutdown
 exit
....

*A:ALA-48>config>service#
```

## Filter Management Tasks

This section discusses the following filter policy management tasks:

- [Renumbering Filter Policy Entries on page 387](#)
  - [Modifying an IP Filter Policy on page 389](#)
  - [Modifying an IPv6 Filter Policy on page 391](#)
  - [Deleting a Filter Policy on page 393](#)
  - [Modifying a Redirect Policy on page 397](#)
  - [Deleting a Redirect Policy on page 398](#)
  - [Copying Filter Policies on page 399](#)
- 

### Renumbering Filter Policy Entries

The system exits the matching process when the first match is found and then executes the actions in accordance with the specified action. Because the ordering of entries is important, the numbering sequence can be rearranged. Entries should be numbered from the most explicit to the least explicit.

Use the following CLI syntax to renumber existing MAC or IP filter entries to re-sequence filter entries:

**CLI Syntax:**

```
config>filter
 ip-filter filter-id
 renum old-entry-number new-entry-number
 mac-filter filter-id
 renum old-entry-number new-entry-number
```

**Example:**

```
config>filter>ip-filter# renum 10 15
config>filter>ip-filter# renum 20 10
config>filter>ip-filter# renum 40 1
```

## Filter Management Tasks

The following displays the original filter entry order on the left side and the reordered filter entries on the right side:

```
A:ALA-7>config>filter# info

...
ip-filter 11 create
 description "filter-main"
 scope exclusive
 entry 10 create
 description "no-91"
 filter-sample
 interface-disable-sample
 match
 dst-ip 10.10.10.91/24
 src-ip 10.10.10.103/24
 exit
 action forward redirect-policy redirect1
exit
entry 20 create
 match
 dst-ip 10.10.10.91/24
 src-ip 10.10.0.100/24
 exit
 action drop
exit
entry 30 create
 match
 dst-ip 10.10.10.91/24
 src-ip 10.10.0.200/24
 exit
 action forward
exit
entry 40 create
 match
 dst-ip 10.10.10.91/24
 src-ip 10.10.10.106/24
 exit
 action drop
exit
exit
...

A:ALA-7>config>filter#
```

```
A:ALA-7>config>filter# info

...
ip-filter 11 create
 description "filter-main"
 scope exclusive
 entry 1 create
 match
 dst-ip 10.10.10.91/24
 src-ip 10.10.10.106/24
 exit
 action drop
exit
entry 10 create
 match
 dst-ip 10.10.10.91/24
 src-ip 10.10.0.100/24
 exit
 action drop
exit
entry 15 create
 description "no-91"
 filter-sample
 interface-disable-sample
 match
 dst-ip 10.10.10.91/24
 src-ip 10.10.10.103/24
 exit
 action forward redirect-policy
 redirect1
exit
entry 30 create
 match
 dst-ip 10.10.10.91/24
 src-ip 10.10.0.200/24
 exit
 action forward
exit
exit
...

A:ALA-7>config>filter#
```

## Modifying an IP Filter Policy

To access a specific IP filter, you must specify the filter ID. Use the `no` form of the command to remove the command parameters or return the parameter to the default setting.

**Example:**

```
config>filter>ip-filter# description "New IP filter info"
config>filter>ip-filter# entry 2 create
config>filter>ip-filter>entry$ description "new entry"
config>filter>ip-filter>entry# action drop
config>filter>ip-filter>entry# match dst-ip 10.10.10.104/32
config>filter>ip-filter>entry# exit
config>filter>ip-filter#
```

The following output displays the modified IP filter output:

```
A:ALA-7>config>filter# info

...
ip-filter 11 create
 description "New IP filter info"
 scope exclusive
 entry 1 create
 match
 dst-ip 10.10.10.91/24
 src-ip 10.10.10.106/24
 exit
 action drop
exit
entry 2 create
 description "new entry"
 match
 dst-ip 10.10.10.104/32
 exit
 action drop
exit
entry 10 create
 match
 dst-ip 10.10.10.91/24
 src-ip 10.10.0.100/24
 exit
 action drop
exit
entry 15 create
 description "no-91"
 match
 dst-ip 10.10.10.91/24
 src-ip 10.10.10.103/24
 exit
 action forward
exit
entry 30 create
 match
```

## Filter Management Tasks

```
 dst-ip 10.10.10.91/24
 src-ip 10.10.0.200/24
 exit
 action forward
 exit
 exit
..

A:ALA-7>config>filter#
```

## Modifying an IPv6 Filter Policy

To access a specific IPv6 filter, you must specify the filter ID. Use the `no` form of the command to remove the command parameters or return the parameter to the default setting.

```
Example:config>filter# ipv6-filter 11
 config>filter>ipv6-filter# description "IPv6 filter for Customer
 1"
 config>filter>ipv6-filter# scope exclusive
 config>filter>ipv6-filter# entry 1
 config>filter>ipv6-filter>entry# description "Fwds matching
 packets"
 config>filter>ipv6-filter>entry# action forward
 config>filter>ipv6-filter>entry# exit
```

The following output displays the modified IPv6 filter output:

```
A:ALA-49>config>filter>ipv6-filter# info

 description "IPv6 filter for Customer 1"
 scope exclusive
 entry 1 create
 description "Fwds matching packets"
 match
 dst-ip 11::12/128
 src-ip 13::14/128
 exit
 action forward
 exit

A:ALA-49>config>filter>ipv6-filter#
```

## Modifying a MAC Filter Policy

To access a specific MAC filter, you must specify the filter ID. Use the `no` form of the command to remove the command parameters or return the parameter to the default setting.

**Example:**

```
config>filter# mac-filter 90
config>filter>mac-filter# description "New filter info"
config>filter>mac-filter# entry 1
config>filter>mac-filter>entry# description "New entry info"
config>filter>mac-filter>entry# action forward
config>filter>mac-filter>entry# exit
config>filter>mac-filter# entry 2 create
config>filter>mac-filter>entry$ action drop
config>filter>mac-filter>entry# match
config>filter>mac-filter>entry>match# dot1p 7 7
```

The following output displays the modified MAC filter output:

```
A:ALA-7>config>filter# info

...
mac-filter 90 create
description "New filter info"
scope exclusive
entry 1 create
description "New entry info"
match
src-mac 00:dc:98:1d:00:00 ff:ff:ff:ff:ff:ff
dst-mac 02:dc:98:1d:00:01 ff:ff:ff:ff:ff:ff
exit
action forward
exit
entry 2 create
match
dot1p 7 7
exit
action drop
exit
exit
...

A:ALA-7>config>filter#
```



## Deleting a Filter Policy

Before you can delete a filter, you must remove the filter association from the applied ingress and egress SAPs and network interfaces.

- [From an Ingress SAP on page 393](#)
  - [From an Egress SAP on page 393](#)
  - [From a Network Interface on page 394](#)
  - [From the Filter Configuration on page 396](#)
- 

### From an Ingress SAP

To remove a filter from an ingress SAP, enter the following CLI commands:

**CLI Syntax:** `config>service# [epipe | ies | vpls] service-id  
sap port-id[:encap-val]  
ingress  
no filter`

**Example:** `config>service# epipe 5  
config>service>epipe# sap 1/1/2:3  
config>service>epipe>sap# ingress  
config>service>epipe>sap>ingress# no filter`

---

### From an Egress SAP

To remove a filter from an egress SAP, enter the following CLI commands:

**CLI Syntax:** `config>service# [epipe | ies | vpls] service-id  
sap port-id[:encap-val]  
egress  
no filter`

**Example:** `config>service# epipe 5  
config>service>epipe# sap 1/1/2:3  
config>service>epipe>sap# egress  
config>service>epipe>sap>egress# no filter`

## From a Network Interface

To delete a filter from a network interface, enter the following CLI commands:

**CLI Syntax:** config>router# interface *ip-int-name*  
 ingress  
 no filter

**Example:** config>router# interface 11  
 config>router>if# shutdown  
 config>filter>if# exit  
 config>filter# no interface 11

IP and IPv6 filters can be assigned and deleted together or separately. To delete both IP and IPv6 filter associations, consider the following examples:

```
A:ALA-49>config>router>if# info

port 1/1/1
ipv6
 address 3FFE::101:101/120
exit
ingress
 filter ip 2
 filter ipv6 1
exit
egress
 filter ip 2
 filter ipv6 1
exit
```

```
A:ALA-49>config>router>if#
```

**CLI Syntax:** config>router>if#  
 config>router>if# ingress no filter

```
A:ALA-49>config>router>if# info

port 1/1/1
ipv6
 address 3FFE::101:101/120
exit
egress
 filter ip 2
 filter ipv6 1
exit
```

```
A:ALA-49>config>router>if#
```

**CLI Syntax:** config>router>if# egress no filter ip 2

```
A:ALA-49>config>router>if# info
```

```

 port 1/1/1
 ipv6
 address 3FFE::101:101/120
 exit
 egress
 filter ipv6 1
 exit

A:ALA-49>config>router>if#

```

**CLI Syntax:** config>router>if# ingress filter ip 2  
 config>router>if# ingress filter ipv6 1

```

A:ALA-49>config>router>if# info

 port 1/1/1
 ipv6
 address 3FFE::101:101/120
 exit
 ingress
 filter ip 2
 filter ipv6 1
 exit
 egress
 filter ipv6 1
 exit

A:ALA-49>config>router>if#

```

**CLI Syntax:** config>router>if# ingress no filter ipv6 1

```

A:ALA-49>config>router>if# info

 port 1/1/1
 ipv6
 address 3FFE::101:101/120
 exit
 ingress
 filter ip 2
 exit
 egress
 filter ipv6 1
 exit

A:ALA-49>config>router>if#

```

**CLI Syntax:** config>router>if# ingress no filter

```

A:ALA-49>config>router>if#

 port 1/1/1

```

## Filter Management Tasks

```
 ipv6
 address 3FFE::101:101/120
 exit
 egress
 filter ipv6 1
 exit

A:ALA-49>config>router>if#
```

**CLI Syntax:** config>router>if# egress no filter

```
A:ALA-49>config>router>if#

 port 1/1/1
 ipv6
 address 3FFE::101:101/120
 exit

A:ALA-49>config>router>if#
```

---

## From the Filter Configuration

After you have removed the filter from the SAP, use the following CLI syntax to delete the filter.

**CLI Syntax:** config>filter# no ip-filter *filter-id*

**CLI Syntax:** config>filter# no mac-filter *filter-id*

**CLI Syntax:** config>filter# no ipv6-filter *filter-id*

**Example:** config>filter# no ip-filter 11 config>filter# no mac-filter  
13  
config>filter# no ipv6-filter 100

## Modifying a Redirect Policy

To access a specific redirect policy, you must specify the policy name. Use the `no` form of the command to remove the command parameters or return the parameter to the default setting.

```

Example: config>filter# redirect-policy redirect1
 config>filter>redirect-policy# description "New redirect info"
 config>filter>redirect-policy# destination 10.10.10.106
 config>filter>redirect-policy>dest# no url-test "URL_to_106"
 config>filter>redirect-policy>dest# url-test "URL_to_Proxy"
 config>filter>redirect-policy>dest>url-test$ url http://
 www.alcatel.com
 config>filter>redirect-policy>dest>url-test# interval 10
 config>filter>redirect-policy>dest>url-test# timeout 10
 config>filter>redirect-policy>dest>url-test# return-code 1
 4294967295 raise-priority 255

```

```

A:ALA-7>config>filter# info

...
redirect-policy "redirect1" create
 description "New redirect info"
 destination 10.10.10.104 create
 description "SNMP_to_104"
 priority 105
 snmp-test "SNMP-1"
 interval 30
 drop-count 30 hold-down 120
 exit
 no shutdown
exit
destination 10.10.10.105 create
 priority 95
 ping-test
 timeout 30
 drop-count 5
 exit
 no shutdown
exit
destination 10.10.10.106 create
 priority 90
 url-test "URL_to_Proxy"
 url "http://www.alcatel.com"
 interval 10
 timeout 10
 return-code 1 4294967295 raise-priority 255
 exit
 no shutdown
exit
no shutdown
exit
...

A:ALA-7>config>filter#

```

## Deleting a Redirect Policy

Before you can delete a redirect policy from the filter configuration, you must remove the policy association from the IP filter.

The following example shows the command usage to replace the configured redirect policy (**redirect1**) with a different redirect policy (**redirect2**) and then removing the **redirect1** policy from the filter configuration.

```
Example:config>filter>ip-filter 11
 config>filter>ip-filter# entry 1
 config>filter>ip-filter>entry# action forward redirect-policy
redirect2
 config>filter>ip-filter>entry# exit
 config>filter>ip-filter# exit
 config>filter# no redirect-policy redirect1
```

```
A:ALA-7>config>filter>ip-filter# info

 description "This is new"
 scope exclusive
 entry 1 create
 filter-sample
 interface-disable-sample
 match
 dst-ip 10.10.10.91/24
 src-ip 10.10.10.106/24
 exit
 action forward redirect-policy redirect2
 exit
 entry 2 create
 description "new entry"
 ...

A:ALA-7>config>filter>ip-filter#
```

## Copying Filter Policies

When changes are made to an existing filter policy, they are applied immediately to all services where the policy is applied. If numerous changes are required, the policy can be copied so you can edit the “work in progress” version without affecting the filtering process. When the changes are completed, you can overwrite the work in progress version with the original version.

New filter policies can also be created by copying an existing policy and renaming the new filter.

**CLI Syntax:** `config>filter# copy filter-type src-filter-id [src-entry src-entry-id] to dst-filter-id [dst-entry dst-entry-id] [overwrite]`

The following displays the command usage to copy an existing IP filter (**11**) to create a new filter policy (**12**).

**Example:** `config>filter# copy ip-filter 11 to 12`

```
A:ALA-7>config>filter# info

...
 ip-filter 11 create
 description "This is new"
 scope exclusive
 entry 1 create
 match
 dst-ip 10.10.10.91/24
 src-ip 10.10.10.106/24
 exit
 action drop
 exit
 entry 2 create
...
 ip-filter 12 create
 description "This is new"
 scope exclusive
 entry 1 create
 match
 dst-ip 10.10.10.91/24
 src-ip 10.10.10.106/24
 exit
 action drop
 exit
 entry 2 create
...

A:ALA-7>config>filter#
```





---

# Filter Command Reference

---

## Command Hierarchies

- [Log Commands on page 401](#)
- [DHCP Filter Policy Commands on page 401](#)
- [IP Filter Policy Commands on page 402](#)
- [IPv6 Filter Policy Commands on page 403](#)
- [MAC Filter Policy Commands on page 404](#)
- [Redirect Policy Configuration Commands on page 405](#)
- [Generic Filter Commands on page 406](#)
- [Show Commands on page 406](#)
- [Clear Commands on page 406](#)
- [Monitor Commands on page 406](#)

## Configuration Commands

### Log Commands

```

config
 — filter
 — log log-id [create]
 — no log log-id
 — description description-string
 — no description
 — destination memory num-entries / syslog syslog-id
 — destination syslog syslog-id
 — no destination
 — [no] shutdown
 — summary
 — [no] shutdown
 — summary-crit dst-addr
 — summary-crit src-addr
 — no summary-crit
 — [no] wrap-around

```

### DHCP Filter Policy Commands

```

config
 — filter
 — dhcp-filter filter-id [create]
 — no dhcp-filter filter-id
 — description description-string
 — no description
 — entry entry-id [create]

```

- **no entry** *entry-id*
  - **action** { *bypass-host-creation* }
  - **no action**
  - **option** *dhcp-option-number* { **present** | **absent** }
  - **no option**

## IP Filter Policy Commands

- config
  - filter
    - **ip-filter** *filter-id* [**create**]
    - **no ip-filter** *filter-id*
      - **default-action** { **drop** | **forward** }
      - **description** *description-string*
      - **no description**
      - **renum** *old-entry-id new-entry-id*
      - **scope** { **exclusive** | **template** }
      - **no scope**
      - **entry** *entry-id* [**time-range** *time-range-name*] [**create**]
      - **no entry** *entry-id*
        - **action** [**drop**]
        - **action forward** [**next-hop** { *ip-address* | **indirect** *ip-address* | **interface** *ip-int-name* }]
        - **action forward** [**redirect-policy** *policy-name*]
        - **action forward** [**sap** *sap-id* | **sdp** *sdp-id*]
        - **action http-redirect** *url*
        - **action nat**
        - **no action**
        - **description** *description-string*
        - **no description**
        - **no filter-sample**
        - **no interface-disable-sample**
        - **log** *log-id*
        - **no log**
        - **match** [**protocol** *protocol-id*]
        - **no match**
          - **dscp** *dscp-name*
          - **no dscp**
          - **dst-ip** { *ip-address/mask* | *ip-address netmask* }
          - **no dst-ip**
          - **dst-port** { **lt** | **gt** | **eq** } *dst-port-number*
          - **dst-port range** *start end*
          - **no dst-port**
          - **fragment** { **true** | **false** }
          - **no fragment**
          - **icmp-code** *icmp-code*
          - **no icmp-code**
          - **icmp-type** *icmp-type*
          - **no icmp-type**
          - **ip-option** *ip-option-value* [*ip-option-mask*]
          - **no ip-option**
          - **multiple-option** { **true** | **false** }
          - **no multiple-option**
          - **option-present** { **true** | **false** }
          - **no option-present**
          - **src-ip** { *ip-address/mask* | *ip-address netmask* }

- **no src-ip**
- **src-port** {lt | gt | eq} *src-port-number*
- **src-port range** *start end*
- **no src-port**
- **tcp-ack** {true | false}
- **no tcp-ack**
- **tcp-syn** {true | false}
- **no tcp-syn**

## IPv6 Filter Policy Commands

- ```

config
  — filter
    — ipv6-filter ipv6-filter-id [create]
    — no ipv6-filter ipv6-filter-id
      — default-action {drop | forward}
      — description description-string
      — no description
      — entry entry-id [time-range time-range-name]
      — no entry entry-id
        — action {drop | forward}
        — no action
        — description description-string
        — no description
        — no filter-sample
        — no interface-disable-sample
        — log log-id
        — no log
        — match [next-header next-header]
        — no match
          — dscp dscp-name
          — no dscp
          — dst-ip [ipv6-address/prefix-length]
          — no dst-ip
          — dst-port {lt | gt | eq} dst-port-number
          — dst-port range start end
          — no dst-port
          — icmp-code icmp-code
          — no icmp-code
          — icmp-type icmp-type
          — no icmp-type
          — src-ip{ipv6-address/prefix-length}
          — no src-ip
          — src-port {lt | gt | eq} src-port-number
          — src-port range start end
          — no src-port
          — tcp-ack {true | false}
          — no tcp-ack
          — tcp-syn {true | false}
          — no tcp-syn
        — renum old-entry-id new-entry-id
        — scope {exclusive | template}
        — no scope

```

MAC Filter Policy Commands

```

config
  — filter
    — mac-filter filter-id [create]
    — no mac-filter filter-id
      — default-action {drop | forward}
      — description description-string
      — no description
      — entry entry-id [time-range time-range-name]
      — no entry entry-id [create]
        — description description-string
        — no description
        — action [drop]
        — action forward [sap sap-id | sdp sdp-id]
        — action http-redirect url
        — no action
        — log log-id
        — no log
        — match [frame-type {802dot3 | 802dot2-llc | 802dot2-snap |
ethernet_II}]
        — no match
          — dot1p dot1p-value [dot1p-mask]
          — no dot1p
          — dsap dsap-value [dsap-mask]
          — no dsap
          — dst-mac ieee-address [ieee-address-mask]
          — no dst-mac
          — etype 0x0600..0xffff
          — no etype
          — inner-tag value [vid-mask]
          — no inner-tag
          — isid value [to higher-value]
          — no isid
          — outer-tag value [vid-mask]
          — no outer-tag
          — snap-oui {zero | non-zero}
          — no snap-oui
          — snap-pid snap-pid
          — no snap-pid
          — ssap ssap-value [ssap-mask]
          — no ssap
          — src-mac ieee-address [ieee-address-mask]
          — no src-mac
      — renum old-entry-id new-entry-id
      — scope {exclusive | template}
      — no scope
      — type filter-type

```

Redirect Policy Configuration Commands

```

config
  — filter
    — redirect-policy redirect-policy-name [create]
    — no redirect-policy redirect-policy-name
      — description description-string
      — no description
      — [no] shutdown
      — destination ip-address [create]
      — no destination ip-address
        — description description-string
        — no description
        — priority [priority]
        — no priority
        — [no] shutdown
        — [no] ping-test
          — drop-count consecutive-failures [hold-down seconds]
          — no drop-count
          — interval seconds
          — no interval
          — timeout seconds
          — no timeout
        — snmp-test test-name [create]
        — no snmp-test test-name
          — drop-count consecutive-failures [hold-down seconds]
          — no drop-count
          — interval seconds
          — no interval
          — oid oid-string community community-string
          — no oid
          — return-value return-value type return-type [disable | lower-
priority priority | raise-priority priority]
          — no return-value return-value type return-type
          — timeout seconds
          — no timeout
        — url-test test-name [create]
        — no url-test test-name
          — drop-count consecutive-failures [hold-down seconds]
          — no drop-count
          — interval seconds
          — no interval
          — return-code return-code-1 [return-code-2] [disable | lower-
priority priority | raise-priority priority]
          — no return-code return-code-1 [return-code-2]
          — timeout seconds
          — no timeout
          — url url-string [http-version version-string]
          — no url

```

Filter Command Reference

Generic Filter Commands

```
config
  — filter
     — copy ip-filter | ipv6-filter | mac-filter src-filter-id [src-entry src-entry-id] to dst-filter-id
        [dst-entry dst-entry-id] [overwrite]
```

Show Commands

```
show
  — filter
     — download-failed
     — ip [ip-filter-id] [entry entry-id] [association | counters]
     — ipv6 [ipv6-filter-id] [entry entry-id] [association | counters]
     — log [bindings]
     — log log-id [match string]
     — mac {mac-filter-id [entry entry-id] [association | counters] }
     — redirect-policy {redirect-policy-name [dest ip-address] [association] }
```

Clear Commands

```
clear
  — filter
     — ip filter-id [entry entry-id] [ingress | egress]
     — ipv6 filter-id [entry entry-id] [ingress | egress]
     — log log-id
     — mac filter-id [entry entry-id] [ingress | egress]
```

Monitor Commands

```
monitor
  — filter ip ip-filter-id entry entry-id [interval seconds] [repeat repeat] [absolute | rate]
  — filter ipv6 ipv6-filter-id entry entry-id [interval seconds] [repeat repeat] [absolute | rate]
  — filter mac mac-filter-id entry entry-id [interval seconds] [repeat repeat] [absolute | rate]
```

Configuration Commands

Generic Commands

description

Syntax	description <i>string</i> no description
Context	config>filter>dhcp-filter config>filter>ip-filter config>filter>ip-filter>entry config>filter>ipv6-filter config>filter>log config>filter>mac-filter config>filter>mac-filter>entry config>filter>redirect-policy config>filter>redirect-policy>destination
Description	<p>This command creates a text description stored in the configuration file for a configuration context.</p> <p>The description command associates a text string with a configuration context to help identify the context in the configuration file.</p> <p>The no form of the command removes any description string from the context.</p>
Default	none
Parameters	<i>string</i> — The description character string. Allowed values are any string up to 80 characters long composed of printable, 7-bit ASCII characters. If the string contains special characters (#, \$, spaces, etc.), the entire string must be enclosed within double quotes.

Global Filter Commands

dhcp-filter

Syntax	dhcp-filter <i>filter-id</i> [create] no dhcp-filter <i>filter-id</i>
Context	config>filter
Description	This command configures the identification number of a DHCP filter.
Parameters	<i>filter-id</i> — Specifies the DHCP filter policy ID number. Values 1 — 65535 create — Keyword required when first creating the configuration context. Once the context is created, one can navigate into the context without the create keyword.

ip-filter

Syntax	[no] ip-filter <i>filter-id</i> [create]
Context	config>filter
Description	<p>This command creates a configuration context for an IP filter policy.</p> <p>IP-filter policies specify either a forward or a drop action for packets based on the specified match criteria.</p> <p>The IP filter policy, sometimes referred to as an access control list (ACL), is a template that can be applied to multiple services or multiple network ports as long as the scope of the policy is template.</p> <p>Any changes made to the existing policy, using any of the sub-commands, will be applied immediately to all services where this policy is applied. For this reason, when many changes are required on an ip-filter policy, it is recommended that the policy be copied to a work area. That work-in-progress policy can be modified until complete and then written over the original filter policy. Use the config filter copy command to maintain policies in this manner.</p> <p>The no form of the command deletes the IP filter policy. A filter policy cannot be deleted until it is removed from all SAPs or network ports where it is applied.</p>
Parameters	<i>filter-id</i> — Specifies the IP filter policy ID number. Values 1 — 65535 create — Keyword required when first creating the configuration context. Once the context is created, one can navigate into the context without the create keyword.

ipv6-filter

Syntax	[no] ipv6-filter <i>ipv6-filter-id</i> [create]
Context	config>filter
Description	This command creates a configuration context for an IPv6 filter policy.
Parameters	<i>ipv6-filter-id</i> — specifies the IPv6 filter policy ID number.
	Values 1 — 16384
	create — Keyword required when first creating the configuration context. Once the context is created, one can navigate into the context without the create keyword.

mac-filter

Syntax	[no] mac-filter <i>filter-id</i> [create]
Context	config>filter
Description	<p>This command enables the context for a MAC filter policy.</p> <p>The mac-filter policy specifies either a forward or a drop action for packets based on the specified match criteria.</p> <p>The mac-filter policy, sometimes referred to as an access control list, is a template that can be applied to multiple services as long as the scope of the policy is template.</p> <p>Note it is not possible to apply a MAC filter policy to a network port or an IES service.</p> <p>Any changes made to the existing policy, using any of the sub-commands, will be applied immediately to all services where this policy is applied. For this reason, when many changes are required on a mac-filter policy, it is recommended that the policy be copied to a work area. That work-in-progress policy can be modified until complete and then written over the original filter policy. Use the config filter copy command to maintain policies in this manner.</p> <p>The no form of the command deletes the mac-filter policy. A filter policy cannot be deleted until it is removed from all SAP where it is applied.</p>
Parameters	<i>filter-id</i> — The MAC filter policy ID number.
	Values 1 — 65535
	create — Keyword required when first creating the configuration context. Once the context is created, one can navigate into the context without the create keyword.

redirect-policy

Syntax	[no] redirect-policy <i>redirect-policy-name</i>
Context	config>filter

Configuration Commands

Description	This command configures redirect policies. The no form of the command removes the redirect policy from the filter configuration only if the policy is not referenced in an IP filter and the IP filter is not in use (applied to a service or network interface).
Default	none
Parameters	<i>redirect-policy-name</i> — Specifies the redirect policy name. Allowed values are any string up to 32 characters long composed of printable, 7-bit ASCII characters. If the string contains special characters (#, \$, spaces, etc.), the entire string must be enclosed within double quotes. There is no limit to the number of redirect policies that can be configured.

DHCP Filter Commands

action

Syntax	action { <i>bypass-host-creation</i> } no action
Context	config>filter>dhcp-filter>entry
Description	This command specifies the action to take on DHCP host creation when the filter entry matches. The no form of the command reverts to the default wherein the host creation proceeds as normal.
Default	no action
Parameters	drop — Specifies that the host creation is bypassed.

option

Syntax	option <i>dhcp-option-number</i> { present absent } no option
Context	config>filter>dhcp-filter>entry
Description	This command configures the action to take on DHCP host creation when the filter entry matches. The no form of the command reverts to the default.
Parameters	present — Specifies that the related DHCP option must be present. absent — Specifies that the related DHCP option must be absent.

Filter Log Destination Commands

destination

Syntax	destination memory <i>num-entries</i> destination syslog <i>syslog-id</i> no destination
Context	config>filter>log
Description	This command configures the destination for filter log entries for the filter log ID. Filter logs can be sent to either memory (memory) or to an existing Syslog server definition (server). If the filter log destination is memory , the maximum number of entries in the log must be specified. The no form of the command deletes the filter log association.
Default	no destination
Parameters	memory <i>num-entries</i> — Specifies the destination of the filter log ID is a memory log. The <i>num-entries</i> value is the maximum number of entries in the filter log expressed as a decimal integer. Values 10 — 50000 syslog <i>syslog-id</i> — Specifies the destination of the filter log ID is a Syslog server. The <i>syslog-id</i> parameter is the number of the Syslog server definition. Values 1 — 10

log

Syntax	log <i>log-id</i> [create] no log
Context	config>filter
Description	This command enables the context to create a filter log policy. The no form of the command deletes the filter log ID. The log cannot be deleted if there are filter entries configured to write to the log. All filter entry logging associations need to be removed before the log can be deleted.
Special Cases	Filter log 101 — Filter log 101 is the default log and is automatically created by the system. Filter log 101 is always a memory filter log and cannot be changed to a Syslog filter log. The log size defaults to 1000 entries. The number of entries and wrap-around behavior can be edited.
Default	log 101
Parameters	<i>log-id</i> — The filter log ID destination expressed as a decimal integer. Values 101 — 199

shutdown

Syntax [no] shutdown

Context config>filter>log
 config>filter>log>summary
 config>filter>redirect-policy
 config>filter>redirect-policy>destination

Administratively enables/disabled (AdminUp/AdminDown) an entity. Downing an entity does not change, reset or remove any configuration settings or statistics. Many objects must be shutdown before they may be deleted.

The **shutdown** command administratively downs an entity. Administratively downing an entity changes the operational state of the entity to down and the operational state of any entities contained within the administratively down entity.

Unlike other commands and parameters where the default state will not be indicated in the configuration file, **shutdown** and **no shutdown** are always indicated in system generated configuration files.

The **no** form of the command puts an entity into the administratively enabled state.

Default no shutdown

summary

Syntax summary

Context config>filter>log

Description This command enables the context to configure log summarization. These settings will only be taken into account when syslog is the log destination. Note that summary settings will only be taken into account in case the log destination is syslog.

Parameters none

summary-crit

Syntax summary-crit dst-addr
 summary-crit src-addr
 no summary-crit

Context config>filter>log>summary

Description This command defines the the key of the index of the minitable. If key information is changed while summary is in no shutdown, the filter summary minitable is flushed and recreated with different key information. Log packets received during the reconfiguration time will be handled as if summary was not active.

The **no** form of the command reverts to the default parameter.

Configuration Commands

Default dst-addr

Parameters **dst-addr** — Specifies that received log packets are summarized based on the destination IP, IPv6, or MAC address.
src-addr — Specifies that received log packets are summarized based on the source IP, IPv6 or MAC address.

wrap-around

Syntax [no] wrap-around

Context config>filter>log

Description This command configures a memory filter log to log until full or to store the most recent log entries (circular buffer).

Specifying **wrap-around** configures the memory filter log to store the most recent filter log entries (circular buffer). When the log is full, the oldest filter log entries are overwritten with new entries.

The **no** form of the command configures the memory filter log to accept filter log entries until full. When the memory filter log is full, filter logging for the log filter ID ceases.

Default wrap-around

Filter Policy Commands

default-action

Syntax	default-action {drop forward}
Context	config>filter>ip-filter config>filter>ipv6-filter config>filter>mac-filter
Description	This command specifies the action to be applied to packets when the packets do not match the specified criteria in all of the IP filter entries of the filter. When multiple default-action commands are entered, the last command will overwrite the previous command.
Default	drop
Parameters	drop — Specifies all packets will be dropped unless there is a specific filter entry which causes the packet to be forwarded. forward — Specifies all packets will be forwarded unless there is a specific filter entry which causes the packet to be dropped.

scope

Syntax	scope {exclusive template} no scope
Context	config>filter>ip-filter config>filter>ipv6-filter config>filter>mac-filter
Description	This command configures the filter policy scope as exclusive or template. If the scope of the policy is template and is applied to one or more services or network interfaces, the scope cannot be changed. The no form of the command sets the scope of the policy to the default of template .
Default	template
Parameters	exclusive — When the scope of a policy is defined as exclusive, the policy can only be applied to a single entity (SAP or network port). Attempting to assign the policy to a second entity will result in an error message. If the policy is removed from the entity, it will become available for assignment to another entity. template — When the scope of a policy is defined as template, the policy can be applied to multiple SAPs or network ports.

type

Syntax	type <i>filter-type</i>
Context	config>filter>mac-filter
Description	This command configures the type of mac-filter as normal, ISID or VID types.
Default	normal
Parameters	<i>filter-type</i> — Specifies which type of entries this MAC filter can contain. Values normal — Regular match criteria are allowed; ISID match not allowed. isid — Only ISID match criteria are allowed. vid — Configures the VID filter type used to match on ethernet_II frame types. This allows matching VLAN tags for explicit filtering.

General Filter Entry Commands

entry

Syntax	entry <i>entry-id</i> [time-range <i>time-range-name</i>] [create] no entry <i>entry-id</i>
Context	config>filter>dhcp-filter config>filter>ip-filter config>filter>ipv6-filter config>filter>mac-filter
Description	<p>This command creates or edits an IP, IPv6, or MAC filter entry. Multiple entries can be created using unique <i>entry-id</i> numbers within the filter. The implementation exits the filter on the first match found and executes the actions in accordance with the accompanying action command. For this reason, entries must be sequenced correctly from most to least explicit.</p> <p>An entry may not have any match criteria defined (in which case, everything matches) but must have at least the keyword action for it to be considered complete. Entries without the action keyword will be considered incomplete and hence will be rendered inactive.</p> <p>The no form of the command removes the specified entry from the IP or MAC filter. Entries removed from the IP or MAC filter are immediately removed from all services or network ports where that filter is applied.</p>
Default	none
Parameters	<p><i>entry-id</i> — An <i>entry-id</i> uniquely identifies a match criteria and the corresponding action. It is recommended that multiple entries be given <i>entry-ids</i> in staggered increments. This allows users to insert a new entry in an existing policy without requiring renumbering of all the existing entries.</p> <p>Values 1 — 65535</p> <p>time-range <i>time-range-name</i> — Specifies the time range name to be associated with this filter entry up to 32 characters in length. The time-range name must already exist in the config>cron context.</p> <p>create — Keyword required when first creating the configuration context. Once the context is created, one can navigate into the context without the create keyword.</p>

log

Syntax	log <i>log-id</i> no log
Context	config>filter>ip-filter>entry config>filter>ipv6-filter>entry config>filter>mac-filter>entry
Description	<p>This command creates the context to enable filter logging for a filter entry and specifies the destination filter log ID.</p> <p>The filter log ID must exist before a filter entry can be enabled to use the filter log ID.</p> <p>The no form of the command disables logging for the filter entry.</p>
Default	no log
Parameters	<i>log-id</i> — The filter log ID destination expressed as a decimal integer.
	Values 101 — 199

IP Filter Entry Commands

action

Syntax	action [drop] action forward [next-hop {<i>ip-address</i> indirect <i>ip-address</i> interface <i>ip-int-name</i>}] action forward [redirect-policy <i>policy-name</i>] action forward [sap <i>sap-id</i> sdp <i>sdp-id</i>] action http-redirect <i>url</i> action nat no action
Context	config>filter>ip-filter>entry
Description	<p>This command specifies to match packets with a specific IP option or a range of IP options in the first option of the IP header as an IP filter match criterion. The action keyword must be entered and a keyword specified in order for the entry to be active.</p> <p>Note that action forward next-hop cannot be applied to multicast traffic.</p> <p>Multiple action statements entered will overwrite previous actions parameters when defined.</p> <p>The no form of the command removes the specified action statement. The filter entry is considered incomplete and hence rendered inactive without the action keyword.</p>
Default	none
Parameters	<p>drop — Specifies packets matching the entry criteria will be dropped.</p> <p>forward — Specifies packets matching the entry criteria will be forwarded.</p> <p>If neither drop nor forward is specified, the filter action is No-Op and the filter entry is inactive.</p> <p>next-hop <i>ip-address</i> — The IP address of the direct next-hop to which to forward matching packets in dotted decimal notation.</p> <p>indirect <i>ip-address</i> — The IP address of the indirect next-hop to which to forward matching packets in dotted decimal notation. The direct next-hop IP address and egress IP interface are determined by a route table lookup.</p> <p>If the next hop is not available, then a routing lookup will be performed and if a match is found the packet will be forwarded to the result of that lookup. If no match is found a "ICMP destination unreachable" message is send back to the origin.</p> <p>interface <i>ip-int-name</i> — The name of the egress IP interface where matching packets will be forwarded from. This parameter is only valid for unnumbered point-to-point interfaces. If the string contains special characters (#, \$, spaces, etc.), the entire string must be enclosed within double quotes.</p> <p>redirect <i>policy-name</i> — Specifies the redirect policy configured in the config>filter>redirect-policy context.</p>

Configuration Commands

sap *sap-id* — Specifies the physical port identifier portion of the SAP definition. Only Ethernet SAPs are supported (including q-in-q, BCP, bridged Ethernet in Frame Relay or ATM). Refer to [Common CLI Command Descriptions on page 535](#) for SAP CLI command syntax and parameter descriptions.

http-redirect *url* — Specifies the HTTP web address that will be sent to the user's browser. Note that http-redirect is not supported on 7750 SR-1 or 7450 ESS-1 models.

Values 255 characters maximum

action

Syntax	action { drop forward } no action
Context	config>filter>ipv6-filter>entry
Description	<p>This command specifies the action to take for packets that match this filter entry. The action keyword must be entered and a keyword specified in order for the entry to be active.</p> <p>Multiple action statements entered will overwrite previous actions parameters when defined.</p> <p>The no form of the command removes the specified action statement. The filter entry is considered incomplete and hence rendered inactive without the action keyword.</p>
Default	drop
Parameters	drop — Specifies packets matching the entry criteria will be dropped. forward — Specifies packets matching the entry criteria will be forwarded.

filter-sample

Syntax	[no] filter-sample
Context	config>filter>ip-filter>entry config>filter>ipv6-filter>entry
Description	<p>Specifies that traffic matching the associated IP filter entry is sampled if the IP interface is set to cflowd acl.</p> <p>If the cflowd is either not enabled or set to cflowd interface mode, this command is ignored.</p> <p>The no form removes this command for the system configuration, disallowing the sampling of packets if the ingress interface is in cflowd acl mode.</p>
Default	no filter-sample

interface-disable-sample

Syntax	[no] interface-disable-sample
Context	config>filter>ip-filter>entry config>filter>ipv6-filter>entry
Description	Specifies that traffic matching the associated IP filter entry is not sampled if the IP interface is set to cflowd interface mode. This allows the option to not sample specific types of traffic when interface sampling is enabled. If the cflowd is either not enabled or set to cflowd acl mode, this command is ignored. The no form of this command enables sampling.
Default	no interface-disable-sample

match

Syntax	match [protocol protocol-id] no match
Context	config>filter>ip-filter>entry
Description	This command enables the context to enter match criteria for the filter entry. When the match criteria have been satisfied the action associated with the match criteria is executed. If more than one match criteria (within one match statement) are configured then all criteria must be satisfied (AND function) before the action associated with the match is executed. A match context may consist of multiple match criteria, but multiple match statements cannot be entered per entry. The no form of the command removes the match criteria for the <i>entry-id</i> .
Parameters	protocol — The protocol keyword configures an IP protocol to be used as an IP filter match criterion. The protocol type such as TCP or UDP is identified by its respective protocol number. <i>protocol-id</i> — Configures the decimal value representing the IP protocol to be used as an IP filter match criterion. Well known protocol numbers include ICMP(1), TCP(6), UDP(17). The no form the command removes the protocol from the match criteria. Values 0 — 255 (values can be expressed in decimal, hexadecimal, or binary - DHB) keywords: none, crtp, crudp, egp, eigrp, encap, ether-ip, gre, icmp, idrp, igmp, igp, ip, ipv6, ipv6-frag, ipv6-icmp, ipv6-no-nxt, ipv6-opts, ipv6-route, isis, iso-ip, l2tp, ospf-igp, pim, pnni, ptp, rdp, rsvp, stp, tcp, udp, vrrp * — udp/tcp wildcard

Protocol	Protocol ID	Description
icmp	1	Internet Control Message
igmp	2	Internet Group Management

Protocol	Protocol ID	Description
ip	4	IP in IP (encapsulation)
tcp	6	Transmission Control
egp	8	Exterior Gateway Protocol
igp	9	Any private interior gateway (used by Cisco for IGRP)
udp	17	User Datagram
rdp	27	Reliable Data Protocol
ipv6	41	IPv6
ipv6-route	43	Routing Header for IPv6
ipv6-frag	44	Fragment Header for IPv6
idrp	45	Inter-Domain Routing Protocol
rsvp	46	Reservation Protocol
gre	47	General Routing Encapsulation
ipv6-icmp	58	ICMP for IPv6
ipv6-no-nxt	59	No Next Header for IPv6
ipv6-opts	60	Destination Options for IPv6
iso-ip	80	ISO Internet Protocol
eigrp	88	EIGRP
ospf-igp	89	OSPFIGP
ether-ip	97	Ethernet-within-IP Encapsulation
encap	98	Encapsulation Header
pnni	102	PNNI over IP
pim	103	Protocol Independent Multicast
vrrp	112	Virtual Router Redundancy Protocol
l2tp	115	Layer Two Tunneling Protocol
stp	118	Spanning Tree Protocol
ptp	123	Performance Transparency Protocol
isis	124	ISIS over IPv4
crtp	126	Combat Radio Transport Protocol
crudp	127	Combat Radio User Datagram

match

Syntax	match [next-header <i>next-header</i>] no match
Context	config>filter>ipv6-filter>entry
Description	<p>This command enables the context to enter match criteria for the filter entry. When the match criteria have been satisfied the action associated with the match criteria is executed.</p> <p>If more than one match criteria (within one match statement) are configured then all criteria must be satisfied (AND function) before the action associated with the match is executed.</p> <p>A match context may consist of multiple match criteria, but multiple match statements cannot be entered per entry.</p> <p>The no form of the command removes the match criteria for the <i>entry-id</i>.</p>
Parameters	<p><i>next-header</i> — Specifies the IPv6 next header to match. Note that this parameter is analogous to the protocol parameter used in IP-Filter match criteria.</p> <p>Values [0 — 42 45 — 49 52 — 59 61 — 255] — protocol numbers accepted in decimal, hexadecimal, or binary - DHB</p> <p>keywords: none, crtp, crudp, egp, eigrp, encap, ether-ip, gre, icmp, idrp, igmp, igp, ip, ipv6, ipv6-icmp, ipv6-no-nxt, isis, iso-ip, l2tp, ospf-igp, pim, pnni, ptp, rdp, rsvp, stp, tcp, udp, vrrp</p> <p>* — udp/tcp wildcard</p>

MAC Filter Entry Commands

action

Syntax	action drop action forward [sap <i>sap-id</i> sdp <i>sdp-id</i>] action http-redirect <i>url</i> no action
Context	config>filter>mac-filter>entry
Description	<p>This command configures the action for a MAC filter entry. The action keyword must be entered for the entry to be active. Any filter entry without the action keyword will be considered incomplete and will be inactive.</p> <p>If neither drop nor forward is specified, this is considered a No-Op filter entry used to explicitly set a filter entry inactive without modifying match criteria or removing the entry itself.</p> <p>Multiple action statements entered will overwrite previous actions parameters when defined. To remove a parameter, use the no form of the action command with the specified parameter.</p> <p>The no form of the command removes the specified action statement. The filter entry is considered incomplete and hence rendered inactive without the action keyword.</p>
Default	none
Parameters	<p>drop — Specifies packets matching the entry criteria will be dropped.</p> <p>forward — Specifies packets matching the entry criteria will be forwarded. Only Ethernet SAPs are supported (including q-in-q, BCP, bridged Ethernet in Frame Relay or ATM).</p> <p>If neither drop nor forward is specified, the filter action is no-op and the filter entry is inactive.</p> <p>sap <i>sap-id</i> — Specifies the physical port identifier portion of the SAP definition. Refer to Common CLI Command Descriptions on page 535 for SAP CLI command syntax and parameter descriptions.</p>

Port Type	Encap-Type	Allowed Values	Comments
Ethernet	Null	0	The SAP is identified by the port.
Ethernet	Dot1q	0 — 4094	The SAP is identified by the 802.1Q tag on the port. Note that a 0 qtag1 value also accepts untagged packets on the dot1q port.
Ethernet	QinQ	qtag1: 0 — 4094 qtag2: 0 — 4094	The SAP is identified by two 802.1Q tags on the port. Note that a 0 qtag1 value also accepts untagged packets on the dot1q port.

SONET/SDH	IPCP	-	The SAP is identified by the channel. No BCP is deployed and all traffic is IP.
SONET/SDH TDM	BCP-Null	0	The SAP is identified with a single service on the channel. Tags are assumed to be part of the customer packet and not a service delimiter.
SONET/SDH TDM	BCP-Dot1q	0 — 4094	The SAP is identified by the 802.1Q tag on the channel.
SONET/SDH TDM	Frame Relay	16 — 991	The SAP is identified by the data link connection identifier (DLCI).
SONET/SDH ATM	ATM	vpi (NNI) 0 — 4095 vpi (UNI) 0 — 255 vci 1, 2, 5 — 65535	The SAP is identified by port or by PVPC or PVCC identifier (vpi, vpi/vci, or vpi range)

sdp-id — The SDP identifier.

Values 1 — 17407

vc-id — The virtual circuit identifier. This value is used to validate the VC ID portion of each mesh SDP binding defined in the service. The default value of this object is equal to the service ID.

Values 1 — 4294967295

http-redirect url — Specifies the HTTP web address that will be sent to the user's browser.

Values 255 characters maximum

match

Syntax **match** [frame-type 802dot3 | 802dot2-llc | 802dot2-snap | ethernet_II]
no match

Context config>filter>mac-filter>entry

Description This command creates the context for entering/editing match criteria for the filter entry and specifies an Ethernet frame type for the entry. When the match criteria have been satisfied the action associated with the match criteria is executed.

If more than one match criteria (within one match statement) are configured then all criteria must be satisfied (AND function) before the action associated with the match will be executed.

A **match** context may consist of multiple match criteria, but multiple **match** statements cannot be entered per entry.

The **no** form of the command removes the match criteria for the *entry-id*.

Parameters **frame-type** *keyword* — The **frame-type** keyword configures an Ethernet frame type to be used for the MAC filter match criteria.

Default **802dot3ethernet_II**

Values 802dot3, 802dot2-llc, 802dot2-snap, ethernet_II

802dot3 — Specifies the frame type is Ethernet IEEE 802.3.

802dot2-llc — Specifies the frame type is Ethernet IEEE 802.2 LLC.

802dot2-snap — Specifies the frame type is Ethernet IEEE 802.2 SNAP.

ethernet_II — Specifies the frame type is Ethernet Type II.

IP Filter Match Criteria

dscp

Syntax	dscp <i>dscp-name</i> no dscp
Context	config>filter>ip-filter>entry>match config>filter>ipv6-filter>entry>match
Description	This command configures a DiffServ Code Point (DSCP) name to be used as an IP filter match criterion. The no form of the command removes the DSCP match criterion.
Default	no dscp
Parameters	<i>dscp-name</i> — Configure a dscp name that has been previously mapped to a value using the dscp-name command. The DiffServ code point may only be specified by its name. Values be, cp1, cp2, cp3, cp4, cp5, cp6, cp7, cs1, cp9, af11, cp11, af12, cp13, af13, cp15, cs2, cp17, af21, cp19, af22, cp21, af23, cp23

dst-ip

Syntax	dst-ip { <i>ip-address</i> [/ <i>mask</i>]} [<i>netmask</i>] no dst-ip
Context	config>filter>ip-filter>entry>match
Description	This command configures a destination IP address range to be used as an IP filter match criterion. To match on the destination IP address, specify the address and its associated mask, e.g. 10.1.0.0/16. The conventional notation of 10.1.0.0 255.255.0.0 may also be used. The no form of the command removes the destination IP address match criterion.
Default	none
Parameters	<i>ip-prefix</i> — The IP prefix for the IP match criterion in dotted decimal notation. Values 0.0.0.0 — 255.255.255.255 <i>mask</i> — The subnet mask length expressed as a decimal integer. Values 0 — 32 <i>netmask</i> — Any mask expressed in dotted quad notation. Values 0.0.0.0 — 255.255.255.255

dst-ip

Syntax	dst-ip [<i>ipv6-address/prefix-length</i>] no dst-ip					
Context	config>filter>ipv6-filter>entry>match					
Description	This command matches a destination IPv6 address. To match on the destination IPv6 address, specify the address and prefix length, for example, 11::12/128. The no form of the command removes the destination IP address match criterion.					
Default	none					
Parameters	<i>ipv6-prefix</i> — The IPv6 prefix for the IP match criterion in dotted decimal notation. <table border="0" style="margin-left: 2em;"> <tr> <td style="vertical-align: top;">Values</td> <td>ipv6-address</td> <td>x:x:x:x:x:x:x (eight 16-bit pieces) x:x:x:x:x::d.d.d.d x: [0..FFFF]H d: [0..255]D</td> </tr> </table> <i>prefix-length</i> — The IPv6 prefix length for the ipv6-address expressed as a decimal integer. <table border="0" style="margin-left: 2em;"> <tr> <td style="vertical-align: top;">Values</td> <td>1 — 128</td> </tr> </table>	Values	ipv6-address	x:x:x:x:x:x:x (eight 16-bit pieces) x:x:x:x:x::d.d.d.d x: [0..FFFF]H d: [0..255]D	Values	1 — 128
Values	ipv6-address	x:x:x:x:x:x:x (eight 16-bit pieces) x:x:x:x:x::d.d.d.d x: [0..FFFF]H d: [0..255]D				
Values	1 — 128					

dst-port

Syntax	dst-port { lt gt eq } <i>dst-port-number</i> dst-port range <i>start end</i> no dst-port						
Context	config>filter>ip-filter>entry>match config>filter>ipv6-filter>entry>match						
Description	This command configures a destination TCP or UDP port number or port range for an IP filter match criterion. Note that an entry containing L4 match criteria will not match non-initial (2nd, 3rd, etc) fragments of a fragmented packet since only the first fragment contains the L4 information. The no form of the command removes the destination port match criterion.						
Default	none						
Parameters	lt gt eq — Specifies the operator to use relative to <i>dst-port-number</i> for specifying the port number match criteria. <table border="0" style="margin-left: 2em;"> <tr> <td>lt</td> <td>specifies all port numbers less than <i>dst-port-number</i> match.</td> </tr> <tr> <td>gt</td> <td>specifies all port numbers greater than <i>dst-port-number</i> match.</td> </tr> <tr> <td>eq</td> <td>specifies that <i>dst-port-number</i> must be an exact match.</td> </tr> </table> eq — Specifies the operator to use relative to <i>dst-port-number</i> for specifying the port number match criteria. The eq keyword specifies that <i>dst-port-number</i> must be an exact match.	lt	specifies all port numbers less than <i>dst-port-number</i> match.	gt	specifies all port numbers greater than <i>dst-port-number</i> match.	eq	specifies that <i>dst-port-number</i> must be an exact match.
lt	specifies all port numbers less than <i>dst-port-number</i> match.						
gt	specifies all port numbers greater than <i>dst-port-number</i> match.						
eq	specifies that <i>dst-port-number</i> must be an exact match.						

dst-port-number — The destination port number to be used as a match criteria expressed as a decimal integer.

Values 1 — 65535

range *start end* — Specifies an inclusive range of port numbers to be used as a match criteria. The destination port numbers *start-port* and *end-port* are expressed as decimal integers.

Values 1 — 65535

fragment

Syntax	fragment { true false } no fragment
Context	config>filter>ip-filter>entry>match
Description	Configures fragmented or non-fragmented IP packets as an IP filter match criterion. Note that an entry containing L4 match criteria will not match non-initial (2nd, 3rd, etc) fragments of a fragmented packet since only the first fragment contains the L4 information. The no form of the command removes the match criterion.
Default	no fragment
Parameters	true — Configures a match on all fragmented IP packets. A match will occur for all packets that have either the MF (more fragment) bit set OR have the Fragment Offset field of the IP header set to a non-zero value. false — Configures a match on all non-fragmented IP packets. Non-fragmented IP packets are packets that have the MF bit set to zero and have the Fragment Offset field also set to zero.

icmp-code

Syntax	icmp-code <i>icmp-code</i> no icmp-code
Context	config>filter>ip-filter>entry>match config>filter>ipv6-filter>entry>match
Description	Configures matching on ICMP code field in the ICMP header of an IP or IPv6 packet as a filter match criterion. Note that an entry containing L4 match criteria will not match non-initial (2nd, 3rd, etc) fragments of a fragmented packet since only the first fragment contains the L4 information. This option is only meaningful if the protocol match criteria specifies ICMP (1). The no form of the command removes the criterion from the match entry.
Default	no icmp-code
Parameters	<i>icmp-code</i> — The ICMP code values that must be present to match. Values 0 — 255

icmp-type

Syntax	icmp-type <i>icmp-type</i> no icmp-type
Context	config>filter>ip-filter>entry>match config>filter>ipv6-filter>entry>match
Description	This command configures matching on the ICMP type field in the ICMP header of an IP or IPv6 packet as a filter match criterion. Note that an entry containing L4 match criteria will not match non-initial (2nd, 3rd, etc) fragments of a fragmented packet since only the first fragment contains the L4 information. This option is only meaningful if the protocol match criteria specifies ICMP (1). The no form of the command removes the criterion from the match entry.
Default	no icmp-type
Parameters	<i>icmp-type</i> — The ICMP type values that must be present to match. Values 0 — 255

ip-option

Syntax	ip-option <i>ip-option-value ip-option-mask</i> no ip-option
Context	config>filter>ip-filter>entry>match
Description	This command configures matching packets with a specific IP option or a range of IP options in the first option of the IP header as an IP filter match criterion. The option-type octet contains 3 fields: 1 bit copied flag (copy options in all fragments) 2 bits option class 5 bits option number The no form of the command removes the match criterion.
Default	none
Parameters	<i>ip-option-value</i> — Enter the 8 bit option-type as a decimal integer. The mask is applied as an AND to the option byte, the result is compared with the option-value. The decimal value entered for the match should be a combined value of the eight bit option type field and not just the option number. Thus to match on IP packets that contain the Router Alert option (option number = 20), enter the option type of 148 (10010100). Values 0 — 255 <i>ip-option-mask</i> — This is optional and may be used when specifying a range of option numbers to use as the match criteria.

This 8 bit mask can be configured using the following formats:

Format Style	Format Syntax	Example
Decimal	DDD	20
Hexadecimal	0xHH	0x14
Binary	0bBBBBBBBB	0b0010100
Default	255 (decimal) (exact match)	
Values	1 — 255 (decimal)	

multiple-option

Syntax	multiple-option {true false} no multiple-option
Context	config>filter>ip-filter>entry>match
Description	This command configures matching packets that contain one or more than one option fields in the IP header as an IP filter match criterion. The no form of the command removes the checking of the number of option fields in the IP header as a match criterion.
Default	no multiple-option
Parameters	true — Specifies matching on IP packets that contain more than one option field in the header. false — Specifies matching on IP packets that do not contain multiple option fields present in the header.

option-present

Syntax	option-present {true false} no option-present
Context	config>filter>ip-filter>entry>match
Description	This command configures matching packets that contain the option field or have an option field of zero in the IP header as an IP filter match criterion. The no form of the command removes the checking of the option field in the IP header as a match criterion.
Parameters	true — Specifies matching on all IP packets that contain the option field in the header. A match will occur for all packets that have the option field present. An option field of zero is considered as no option present.

false — Specifies matching on IP packets that do not have any option field present in the IP header (an option field of zero). An option field of zero is considered as no option present.

src-ip

Syntax	src-ip { <i>ip-address</i> [/ <i>mask</i>]} [<i>netmask</i>] no src-ip
Context	config>filter>ip-filter>entry>match
Description	This command configures a source IP address range to be used as an IP filter match criterion. To match on the source IP address, specify the address and its associated mask, e.g. 10.1.0.0/16. The conventional notation of 10.1.0.0 255.255.0.0 may also be used. The no form of the command removes the source IP address match criterion.
Default	no src-ip
Parameters	<i>ip-address</i> — The IP prefix for the IP match criterion in dotted decimal notation. Values 0.0.0.0 — 255.255.255.255 <i>mask</i> — The subnet mask length expressed as a decimal integer. Values 0 — 32 <i>netmask</i> — Any mask expressed in dotted quad notation. Values 0.0.0.0 — 255.255.255.255

src-ip

Syntax	src-ip [<i>ipv6-address</i> / <i>prefix-length</i>] no src-ip
Context	config>filter>ipv6-filter>entry>match
Description	This command configures a source IPv6 address range to be used as an IP filter match criterion. The no form of the command removes the source IPv6 address match criterion.
Default	no src-ip
Parameters	<i>ipv6-address</i> — The IP prefix for the IP match criterion in dotted decimal notation. Values x:x:x:x:x:x:x (eight 16-bit pieces) x:x:x:x:x:d.d.d.d x [0..FFFF]H d [0 — 255]D <i>prefix-length</i> — The IPv6 mask value for the IPv6 filter entry. Values 1 — 28

src-port

Syntax	src-port { lt gt eq } <i>src-port-number</i> src-port range <i>start end</i> no src-port
Context	config>filter>ip-filter>entry>match config>filter>ipv6-filter>entry>match
Description	This command configures a source TCP or UDP port number or port range for an IP filter match criterion. Note that an entry containing L4 match criteria will not match non-initial (2nd, 3rd, etc) fragments of a fragmented packet since only the first fragment contains the L4 information. The no form of the command removes the source port match criterion.
Default	no src-port
Parameters	lt gt eq — Specifies the operator to use relative to <i>src-port-number</i> for specifying the port number match criteria. lt specifies all port numbers less than <i>src-port-number</i> match. gt specifies all port numbers greater than <i>src-port-number</i> match. eq specifies that <i>src-port-number</i> must be an exact match. <i>src-port-number</i> — The source port number to be used as a match criteria expressed as a decimal integer. Values 1 — 65535 range start end — Specifies an inclusive range of port numbers to be used as a match criteria. The source port numbers <i>start-port</i> and <i>end-port</i> are expressed as decimal integers. Values 1 — 65535

tcp-ack

Syntax	tcp-ack { true false } no tcp-ack
Context	config>filter>ip-filter>entry>match config>filter>ipv6-filter>entry>match
Description	This command configures matching on the ACK bit being set or reset in the control bits of the TCP header of an IP packet as an IP filter match criterion. Note that an entry containing L4 match criteria will not match non-initial (2nd, 3rd, etc) fragments of a fragmented packet since only the first fragment contains the L4 information. The no form of the command removes the criterion from the match entry.
Default	no tcp-ack
Parameters	true — Specifies matching on IP packets that have the ACK bit set in the control bits of the TCP header of an IP packet.

false — Specifies matching on IP packets that do not have the ACK bit set in the control bits of the TCP header of the IP packet.

tcp-syn

Syntax	tcp-syn {true false} no tcp-syn
Context	config>filter>ip-filter>entry>match config>filter>ipv6-filter>entry>match
Description	<p>This command configures matching on the SYN bit being set or reset in the control bits of the TCP header of an IP packet as an IP filter match criterion. Note that an entry containing L4 match criteria will not match non-initial (2nd, 3rd, etc) fragments of a fragmented packet since only the first fragment contains the L4 information.</p> <p>The SYN bit is normally set when the source of the packet wants to initiate a TCP session with the specified destination IP address.</p> <p>The no form of the command removes the criterion from the match entry.</p>
Default	no tcp-syn
Parameters	<p>true — Specifies matching on IP packets that have the SYN bit set in the control bits of the TCP header.</p> <p>false — Specifies matching on IP packets that do not have the SYN bit set in the control bits of the TCP header.</p>

MAC Filter Match Criteria

dot1p

Syntax	dot1p <i>ip-value</i> [<i>mask</i>] no dot1p
Context	config>filter>mac-filter>entry
Description	<p>Configures an IEEE 802.1p value or range to be used as a MAC filter match criterion.</p> <p>When a frame is missing the 802.1p bits, specifying an dot1p match criterion will fail for the frame and result in a non-match for the MAC filter entry.</p> <p>The no form of the command removes the criterion from the match entry.</p> <p>SAP Egress</p> <p>Egress dot1p value matching will only match if the customer payload contains the 802.1p bits. For example, if a packet ingresses on a null encapsulated SAP and the customer packet is IEEE 802.1Q or 802.1p tagged, the 802.1p bits will be present for a match evaluation. On the other hand, if a customer tagged frame is received on a dot1p encapsulated SAP, the tag will be stripped on ingress and there will be no 802.1p bits for a MAC filter match evaluation; in this case, any filter entry with a dot1p match criterion specified will fail.</p>
Default	no dot1p
Parameters	<p><i>ip-value</i> — The IEEE 802.1p value in decimal.</p> <p>Values 0 — 7</p> <p><i>mask</i> — This 3-bit mask can be configured using the following formats:</p>

Format Style	Format Syntax	Example
Decimal	D	4
Hexadecimal	0xH	0x4
Binary	0bBBB	0b100

To select a range from 4 up to 7 specify *p-value* of 4 and a *mask* of 0b100 for value and mask.

Default **7 (decimal)**

Values 1 — 7 (decimal)

dsap

- Syntax** **dsap** *dsap-value* [*mask*]
no dsap
- Context** config>filter>mac-filter>entry>match
- Description** Configures an Ethernet 802.2 LLC DSAP value or range for a MAC filter match criterion. This is a one-byte field that is part of the 802.2 LLC header of the IEEE 802.3 Ethernet Frame. The snap-pid field, etype field, ssap and dsap fields are mutually exclusive and may not be part of the same match criteria. [MAC Match Criteria Exclusivity Rules on page 359](#) describes fields that are exclusive based on the frame format. Use the **no** form of the command to remove the dsap value as the match criterion.
- Default** no dsap
- Parameters** *dsap-value* — The 8-bit dsap match criteria value in hexadecimal.
Values 0x00 — 0xFF (hex)
- mask* — This is optional and may be used when specifying a range of dsap values to use as the match criteria.
 This 8 bit mask can be configured using the following formats:

Format Style	Format Syntax	Example
Decimal	DDD	240
Hexadecimal	0xHH	0xF0
Binary	0BBBBBBBB	0b11110000
Default	FF (hex) (exact match)	
Values	0x00 — 0xFF	

dst-mac

- Syntax** **dst-mac** *ieee-address* [*mask*]
no dst-mac
- Context** config>filter>mac-filter>entry
- Description** Configures a destination MAC address or range to be used as a MAC filter match criterion. The **no** form of the command removes the destination mac address as the match criterion.
- Default** no dst-mac
- Parameters** *ieee-address* — The MAC address to be used as a match criterion.
- Values** HH:HH:HH:HH:HH:HH or HH-HH-HH-HH-HH-HH where H is a hexadecimal digit
- mask* — A 48-bit mask to match a range of MAC address values.

This 48-bit mask can be configured using the following formats:

Format Style	Format Syntax	Example
Decimal	DDDDDDDDDDDDDD	281474959933440
Hexadecimal	0xHHHHHHHHHHHH	0xFFFFF000000
Binary	0BBBBBBB...B	0b11110000...B

To configure so that all packets with a source MAC OUI value of 00-03-FA are subject to a match condition then the entry should be specified as: 0003FA000000 0x0FFFFFF00000

Default 0xFFFFFFFFFFFF (exact match)

Values 0x0000000000000000 — 0xFFFFFFFFFFFF

etype

- Syntax** **etype** *ethernet-type*
no etype
- Context** config>filter>mac-filter>entry
- Description** Configures an Ethernet type II Ethertype value to be used as a MAC filter match criterion. The Ethernet type field is a two-byte field used to identify the protocol carried by the Ethernet frame. For example, 0800 is used to identify the IPv4 packets.
- The Ethernet type field is used by the Ethernet version-II frames. IEEE 802.3 Ethernet frames do not use the type field. For IEEE 802.3 frames, use the dsap, ssap or snap-pid fields as match criteria.
- The snap-pid field, etype field, ssap and dsap fields are mutually exclusive and may not be part of the same match criteria. [Table 10, MAC Match Criteria Exclusivity Rules, on page 359](#) describes fields

Configuration Commands

that are exclusive based on the frame format.

The **no** form of the command removes the previously entered etype field as the match criteria.

Default no etype

Parameters *ethernet-type* — The Ethernet type II frame Ethertype value to be used as a match criterion expressed in hexadecimal.

Values 0x0600 — 0xFFFF

isid

Syntax **isid** *value* [*to higher-value*]
no isid

Context config>filter>mac-filter>entry>match

Description This command configures an ISID value or a range of ISID values to be matched by the mac-filter parent. The pbb-etype value for the related SAP (inherited from the ethernet port configuration) or for the related SDP binding (inherited from SDP configuration) will be used to identify the ISID tag. When an isid statement is used in a match criteria the corresponding mac-filter can be applied only on the egress side of a SAP/SDP binding. In order to be able to use an isid match criteria one needs to set the mac-filter type attribute to isid. Once this configuration is performed only ISID match criteria are allowed in the mac-filter.

The **no** form of this command removes the ISID match criterion.

Default no isid

value — Specifies the ISID value, 24 bits. When just one present identifies a particular ISID to be used for matching.

to higher-value — Identifies a range of ISIDs to be used as matching criteria.

inner-tag

Syntax **inner-tag** *value* [*vid-mask*]
no inner-tag

Context config>filter>mac-filter>entry>match

Description This command configures the matching of the second tag that is carried transparently through the service. The inner-tag on ingress is the second tag on the frame if there are no service delimiting tags. Inner tag is the second tag before any service delimiting tags on egress but is dependent in the ingress configuration and may be set to 0 even in cases where additional tags are on the frame. This allows matching VLAN tags for explicit filtering or QoS setting when using default or null encapsulations.

The inner-tag is not applicable in ingress on dot1Q SAPs. The inner-tag may be populated on egress depending on the ingress SAP type.

On QinQ SAPs of null and default that do not strip tags inner-tag will contain the second tag (which

is still the second tag carried transparently through the service.) On ingress SAPs that strip any tags, inner-tag will contain 0 even if there are more than 2 tags on the frame.

The optional `vid_mask` is defaulted to 4095 (exact match) but may be specified to allow pattern matching. The masking operation is $((\text{value and vid-mask}) = (\text{tag and vid-mask}))$. A value of 6 and a mask of 7 would match all VLANs with the lower 3 bits set to 6.

Note for QoS the VID type cannot be specified on the default QoS policy.

The default vid-mask is set to 4095 for exact match.

outer-tag

Syntax	outer-tag <i>value</i> [<i>vid-mask</i>] no outer-tag
Context	config>filter>mac-filter>entry>match
Description	<p>This command configures the matching of the first tag that is carried transparently through the service. Service delimiting tags are stripped from the frame and outer tag on ingress is the first tag after any service delimiting tags. Outer tag is the first tag before any service delimiting tags on egress. This allows matching VLAN tags for explicit filtering or QoS setting when using default or null encapsulations.</p> <p>On dot1Q SAPs outer-tag is the only tag that can be matched. On dot1Q SAPs with exact match (sap 2/1/1:50) the outer-tag will be populated with the next tag that is carried transparently through the service or 0 if there is no additional VLAN tags on the frame.</p> <p>On QinQ SAPs that strip a single service delimiting tag, outer-tag will contain the next tag (which is still the first tag carried transparently through the service.) On SAPs with two service delimiting tags (two tags stripped) outer-tag will contain 0 even if there are more than 2 tags on the frame.</p> <p>The optional <code>vid_mask</code> is defaulted to 4095 (exact match) but may be specified to allow pattern matching. The masking operation is $((\text{value \& vid-mask}) = (\text{tag \& vid-mask}))$. A value of 6 and a mask of 7 would match all VLANs with the lower 3 bits set to 6.</p> <p>Note for QoS the VID type cannot be specified on the default QoS policy.</p> <p>The default vid-mask is set to 4095 for exact match.</p>

snap-oui

Syntax	snap-oui [zero non-zero] no snap-oui
Context	config>filter>mac-filter>entry
Description	<p>This command configures an IEEE 802.3 LLC SNAP Ethernet Frame OUI zero or non-zero value to be used as a MAC filter match criterion.</p> <p>The no form of the command removes the criterion from the match criteria.</p>
Default	no snap-oui

Configuration Commands

- Parameters** **zero** — Specifies to match packets with the three-byte OUI field in the SNAP-ID set to zero.
non-zero — Specifies to match packets with the three-byte OUI field in the SNAP-ID not set to zero.

snap-pid

- Syntax** **snap-pid** *pid-value*
no snap-pid
- Context** config>filter>mac-filter>entry
- Description** Configures an IEEE 802.3 LLC SNAP Ethernet Frame PID value to be used as a MAC filter match criterion.
- This is a two-byte protocol id that is part of the IEEE 802.3 LLC SNAP Ethernet Frame that follows the three-byte OUI field.
- The snap-pid field, etype field, ssap and dsap fields are mutually exclusive and may not be part of the same match criteria. [MAC Match Criteria Exclusivity Rules on page 359](#) describes fields that are exclusive based on the frame format.
- Note: The snap-pid match criterion is independent of the OUI field within the SNAP header. Two packets with different three-byte OUI fields but the same PID field will both match the same filter entry based on a snap-pid match criteria.
- The **no** form of the command removes the snap-pid value as the match criteria.
- Default** no snap-pid
- Parameters** *pid-value* — The two-byte snap-pid value to be used as a match criterion in hexadecimal.
- Values** 0x0000 — 0xFFFF

src-mac

- Syntax** **src-mac** *ieee-address* [*ieee-address-mask*]
no src-mac
- Context** config>filter>mac-filter>entry
- Description** Configures a source MAC address or range to be used as a MAC filter match criterion.
- The **no** form of the command removes the source mac as the match criteria.
- Default** no src-mac
- Parameters** *ieee-address* — Enter the 48-bit IEEE mac address to be used as a match criterion.
- Values** HH:HH:HH:HH:HH:HH or HH-HH-HH-HH-HH-HH where H is a hexadecimal digit

ieee-address-mask — This 48-bit mask can be configured using:

Format Style	Format Syntax	Example
Decimal	DDDDDDDDDDDDDD	281474959933440
Hexadecimal	0xHHHHHHHHHHHH	0x0FFFFFF000000
Binary	0BBBBBBB...B	0b11110000...B

To configure so that all packets with a source MAC OUI value of 00-03-FA are subject to a match condition then the entry should be specified as: 003FA000000 0xFFFFFFFF000000

Default 0xFFFFFFFFFFFF (exact match)

Values 0x0000000000000000 — 0xFFFFFFFFFFFF

ssap

Syntax	ssap <i>ssap-value</i> [<i>ssap-mask</i>] no ssap
Context	config>filter>mac-filter>entry
Description	This command configures an Ethernet 802.2 LLC SSAP value or range for a MAC filter match criterion. This is a one-byte field that is part of the 802.2 LLC header of the IEEE 802.3 Ethernet Frame. The snap-pid field, etype field, ssap and dsap fields are mutually exclusive and may not be part of the same match criteria. MAC Match Criteria Exclusivity Rules on page 359 describes fields that are exclusive based on the frame format. The no form of the command removes the ssap match criterion.
Default	no ssap
Parameters	<i>ssap-value</i> — The 8-bit ssap match criteria value in hex. Values 0x00 — 0xFF <i>ssap-mask</i> — This is optional and may be used when specifying a range of ssap values to use as the match criteria.

This 8 bit mask can be configured using the following formats:

Format Style	Format Syntax	Example
Decimal	DDD	240
Hexadecimal	0xHH	0xF0
Binary	0BBBBBBBB	0b11110000
Default	none	
Values	0x00 — 0xFF	

Policy and Entry Maintenance Commands

copy

Syntax	copy { ip-filter ipv6-filter mac-filter } <i>source-filter-id</i> <i>dest-filter-id</i> <i>dest-filter-id</i> [overwrite]
Context	config>filter
Description	This command copies existing filter list entries for a specific filter ID to another filter ID. The copy command is a configuration level maintenance tool used to create new filters using existing filters. It also allows bulk modifications to an existing policy with the use of the overwrite keyword. If overwrite is not specified, an error will occur if the destination policy ID exists.
Parameters	<p>ip-filter — Indicates that the <i>source-filter-id</i> and the <i>dest-filter-id</i> are IP filter IDs.</p> <p>ipv6-filter — This keyword indicates that the <i>source-filter-id</i> and the <i>dest-filter-id</i> are IPv6 filter IDs.</p> <p>mac-filter — Indicates that the <i>source-filter-id</i> and the <i>dest-filter-id</i> are MAC filter IDs.</p> <p><i>source-filter-id</i> — The <i>source-filter-id</i> identifies the source filter policy from which the copy command will attempt to copy. The filter policy must exist within the context of the preceding keyword (ip-filter, ipv6-filter or mac-filter).</p> <p><i>dest-filter-id</i> — The <i>dest-filter-id</i> identifies the destination filter policy to which the copy command will attempt to copy. If the overwrite keyword does not follow, the filter policy ID cannot already exist within the system for the filter type the copy command is issued for. If the overwrite keyword is present, the destination policy ID may or may not exist.</p> <p>overwrite — The overwrite keyword specifies that the destination filter ID may exist. If it does, everything in the existing destination filter ID will be completely overwritten with the contents of the source filter ID. If the destination filter ID exists, either overwrite must be specified or an error message will be returned. If overwrite is specified, the function of copying from source to destination occurs in a ‘break before make’ manner and therefore should be handled with care.</p>

renum

Syntax	renum <i>old-entry-id</i> <i>new-entry-id</i>
Context	config>filter>ip-filter config>filter>ipv6-filter config>filter>mac-filter
Description	This command renumbers existing MAC or IP filter entries to properly sequence filter entries. This may be required in some cases since the OS exits when the first match is found and executes the actions according to the accompanying action command. This requires that entries be sequenced correctly from most to least explicit.
Parameters	<i>old-entry-id</i> — Enter the entry number of an existing entry.
Values	1 — 65535

Configuration Commands

new-entry-id — Enter the new entry-number to be assigned to the old entry.

Values 1 — 65535

Redirect Policy Commands

destination

Syntax	[no] destination <i>ip-address</i>
Context	config>filter>redirect-policy
Description	This command defines a cache server destination in a redirect policy. More than one destination can be configured. Whether a destination IP address will receive redirected packets depends on the effective priority value after evaluation.
Default	none
Parameters	<i>ip-address</i> — Specifies the IP address to send the redirected traffic.

ping-test

Syntax	[no] ping-test
Context	config>filter>destination>ping-test config>filter>destination>snmp-test
Description	This command configures parameters to perform connectivity ping tests to validate the ability for the destination to receive redirected traffic.
Default	none

drop-count

Syntax	drop-count <i>consecutive-failures</i> [hold-down <i>seconds</i>] no drop-count
Context	config>filter>destination>ping-test config>filter>destination>snmp-test config>filter>destination>url-test
Description	This command specifies the number of consecutive requests that must fail for the destination to be declared unreachable.
Default	drop-count 3 hold-down 0
Parameters	<i>consecutive-failures</i> — Specifies the number of consecutive ping test failures before declaring the destination down.
Values	1 — 60

Configuration Commands

hold-down *seconds* — The amount of time, in seconds, that the system should be held down if any of the test has marked it unreachable.

Values 0 — 86400

interval

Syntax **interval** *seconds*
no interval

Context config>filter>destination>ping-test
config>filter>destination>snmp-test
config>filter>destination>url-test

Description This command specifies the amount of time, in seconds, between consecutive requests sent to the far end host.

Default 1

Parameters *seconds* — Specifies the amount of time, in seconds, between consecutive requests sent to the far end host.

Values 1 — 60

timeout

Syntax **timeout** *seconds*
no timeout

Context config>filter>destination>snmp-test
config>filter>destination>url-test

Description Specifies the amount of time, in seconds, that is allowed for receiving a response from the far-end host. If a reply is not received within this time the far-end host is considered unresponsive.

Default 1

Parameters *seconds* — Specifies the amount of time, in seconds, that is allowed for receiving a response from the far end host.

Values 1 — 60

priority

Syntax **priority** *priority*
no priority

Context config>filter>destination

Description	Redirect policies can contain multiple destinations. Each destination is assigned an initial or base priority which describes its relative importance within the policy. If more than one destination is specified, the destination with the highest effective priority value is selected.
Default	100
Parameters	<i>priority</i> — The priority, expressed as a decimal integer, used to weigh the destination's relative importance within the policy.
Values	1 — 255

snmp-test

Syntax	snmp-test <i>test-name</i>
Context	config>filter>redirect-policy>destination
Description	This command enables the context to configure SNMP test parameters.
Default	none
Parameters	<i>test-name</i> — specifies the name of the SNMP test. Allowed values are any string up to 32 characters long composed of printable, 7-bit ASCII characters. If the string contains special characters (#, \$, spaces, etc.), the entire string must be enclosed within double quotes.

oid

Syntax	oid <i>oid-string</i> community <i>community-string</i>
Context	config>filter>redirect-policy>destination>snmp-test
Description	This command specifies the OID of the object to be fetched from the destination.
Default	none
Parameters	<i>oid-string</i> — Specifies the object identifier (OID) in the OID field. community <i>community-string</i> — The SNMP v2 community string or the SNMP v3 context name used to conduct this SNMP test.

return-value

Syntax	return-value <i>return-value</i> type <i>return-type</i> [disable lower-priority <i>priority</i> raise-priority <i>priority</i>]
Context	config>filter>redirect-policy>destination>snmp-test
Description	This command specifies the criterion to adjust the priority based on the test result. Multiple criteria can be specified with the condition that they are not conflicting or overlap. If the returned value is

within the specified range, the priority can be disabled, lowered or raised.

Default none

Parameters *return-value* — Specifies the SNMP value against which the test result is matched.

Values A maximum of 256 characters.

return-type — Specifies the SNMP object type against which the test result is matched.

Values integer, unsigned, string, ip-address, counter, time-ticks, opaque

disable — The keyword that specifies that the destination may not be used for the amount of time specified in the hold-time command when the test result matches the criterion.

lower-priority *priority* — Specifies the amount to lower the priority of the destination.

Values 1 — 255

raise-priority *priority* — Specifies the amount to raise the priority of the destination.

Values 1 — 255

url-test

Syntax **url-test** *test-name*

Context config>filter>redirect-policy>destination

Description The context to enable URL test parameters. IP filters can be used to selectively cache some web sites.

Default none

Parameters **test-name** — The name of the URL test. Allowed values are any string up to 32 characters long composed of printable, 7-bit ASCII characters. If the string contains special characters (#, \$, spaces, etc.), the entire string must be enclosed within double quotes.

return-code

Syntax **return-code** *return-code-1* [*return-code-2*] [**disable** | **lower-priority** *priority* | **raise-priority** *priority*]
no return-code *return-code-1* [*return-code-2*]

Context config>filter>redirect-policy>destination>url-test

Description Return codes are returned when the URL test is performed. Values for the specified range are the return codes which can be given back to the system as a result of the test being performed.

For example, error code 401 for HTTP is “page not found.” If, while performing this test, the URL is not reachable, you can lower the priority by 10 points so that other means of reaching this destination are prioritized higher than the older one.

Default none

Parameters *return-code-1*, *return-code-2* — Specifies a range of return codes. When the URL test return-code falls within the specified range, the corresponding action is performed.

Values *return-code-1*: 1 — 4294967294
 return-code-2: 2 — 4294967295

disable — Specifies that the destination may not be used for the amount of time specified in the hold-time command when the return code falls within the specified range.

lower-priority *priority* — Specifies the amount to lower the priority of the destination when the return code falls within the specified range.

raise-priority *priority* — Specifies the amount to raise the priority of the destination when the return code falls within the specified range.

url

Syntax **url** *url-string* [**http-version** *version-string*]

Context config>filter>redirect-policy>destination>url-test

Description This command specifies the URL to be probed by the URL test.

Default none

Parameters *url-string* — Specify a URL up to 255 characters in length.

http-version *version-string* — Specifies the HTTP version, 80 characters in length.

Show Commands

download-failed

- Syntax** `download-failed`
- Context** `show>filter`
- Description** This command shows all filter entries for which the download has failed.
- Output** **download-failed Output** — The following table describes the filter download-failed output.

Label	Description
Filter-type	Displays the filter type.
Filter-ID	Displays the ID of the filter.
Filter-Entry	Displays the entry number of the filter.

Sample Output

```
A:ALA-48# show filter download-failed
=====
Filter entries for which download failed
=====
Filter-type   Filter-Id   Filter-Entry
-----
ip            1           10
=====
A:ALA-48#
```

ip

- Syntax** `ip [ip-filter-id] [entry entry-id] [association | counters] [type <entry-type>]`
- Context** `show>filter`
- Description** This command shows IP filter information.
- Parameters** *ip-filter-id* — Displays detailed information for the specified filter ID and its filter entries.
- Values** 1 — 65535
- entry *entry-id*** — Displays information on the specified filter entry ID for the specified filter ID only.
- Values** 1 — 65535
- associations** — Appends information as to where the filter policy ID is applied to the detailed filter policy ID output.

counters — Displays counter information for the specified filter ID. Note that egress counters count the packets without Layer 2 encapsulation. Ingress counters count the packets with Layer 2 encapsulation.

type *entry-type* — Displays information on the specified filter ID for the specified *entry-type* only

Output **Show Filter (no filter-id specified)** — The following table describes the command output for the command when no filter ID is specified.

Label	Description
Filter Id	The IP filter ID
Scope	Template – The filter policy is of type template. Exclusive – The filter policy is of type exclusive.
Applied	No – The filter policy ID has not been applied. Yes – The filter policy ID is applied.
Description	The IP filter policy description.

Sample Output

```
A:ALA-49# show filter ip
=====
IP Filters
=====
Filter-Id Scope    Applied Description
-----
1          Template Yes
3          Template Yes
6          Template Yes
10         Template No
11         Template No
-----
Num IP filters: 5
=====
A:ALA-49#

*A:Dut-C>config>filter# show filter ip
=====
IP Filters                                     Total:      2
=====
Filter-Id  Scope    Applied Description
-----
10001     Template Yes
fSpec-1   Template Yes    BGP FlowSpec filter for the Base router
-----
Num IP filters: 2
=====
*A:Dut-C>config>filter#
```

Output Show Filter (with filter-id specified) — The following table describes the command output for the command when a filter ID is specified.

Label	Description
Filter Id	The IP filter policy ID.
Scope	Template – The filter policy is of type template. Exclusive – The filter policy is of type exclusive.
Entries	The number of entries configured in this filter ID.
Description	The IP filter policy description.
Applied	No – The filter policy ID has not been applied. Yes – The filter policy ID is applied.
Def. Action	Forward – The default action for the filter ID for packets that do not match the filter entries is to forward. Drop – The default action for the filter ID for packets that do not match the filter entries is to drop.
Filter Match Criteria	IP – Indicates the filter is an IP filter policy.
Entry	The filter ID filter entry ID. If the filter entry ID indicates the entry is (Inactive), then the filter entry is incomplete as no action has been specified.
Log Id	The filter log ID.
Src. IP	The source IPv6 address and prefix length match criterion.
Dest. IP	The destination IPv6 address and prefix length match criterion.
Next-header	The next header ID for the match criteria. Undefined indicates no next-header specified.
ICMP Type	The ICMP type match criterion. Undefined indicates no ICMP type specified.
Fragment	False – Configures a match on all non-fragmented IP packets. True – Configures a match on all fragmented IP packets. Off – Fragments are not a matching criteria. All fragments and non-fragments implicitly match.
Sampling	Off – Specifies that traffic sampling is disabled. On – Specifies that traffic matching the associated IP filter entry is sampled.

Label	Description (Continued)
IP-Option	Specifies matching packets with a specific IP option or a range of IP options in the IP header for IP filter match criteria.
TCP-syn	<p>False – Configures a match on packets with the SYN flag set to false.</p> <p>True – Configured a match on packets with the SYN flag set to true.</p> <p>Off – The state of the TCP SYN flag is not considered as part of the match criteria.</p>
Match action	<p>Default – The filter does not have an explicit forward or drop match action specified. If the filter entry ID indicates the entry is Inactive, the filter entry is incomplete, no action was specified.</p> <p>Drop – Drop packets matching the filter entry.</p> <p>Forward – The explicit action to perform is forwarding of the packet.</p>
Ing. Matches	The number of ingress filter matches/hits for the filter entry.
Src. Port	The source TCP or UDP port number or port range.
Dest. Port	The destination TCP or UDP port number or port range.
Dscp	The DiffServ Code Point (DSCP) name.
ICMP Code	The ICMP code field in the ICMP header of an IP packet.
Option-present	<p>Off – Specifies not to search for packets that contain the option field or have an option field of zero.</p> <p>On – Matches packets that contain the option field or have an option field of zero be used as IP filter match criteria.</p>
Int. Sampling	<p>Off – Interface traffic sampling is disabled.</p> <p>On – Interface traffic sampling is enabled.</p>
Multiple Option	<p>Off – The option fields are not checked.</p> <p>On – Packets containing one or more option fields in the IP header will be used as IP filter match criteria.</p>
TCP-ack	<p>False – Configures a match on packets with the ACK flag set to false.</p> <p>True – Configures a match on packets with the ACK flag set to true.</p> <p>Off – The state of the TCP ACK flag is not considered as part of the match criteria. as part of the match criteria.</p>
Egr. Matches	The number of egress filter matches/hits for the filter entry.

Sample Output

```

A:ALA-49>config>filter# show filter ip 3
=====
IP Filter
=====
Filter Id      : 3                               Applied       : Yes
Scope         : Template                         Def. Action   : Drop
Entries       : 1
-----
Filter Match Criteria : IP
-----
Entry         : 10
Log Id        : n/a
Src. IP       : 10.1.1.1/24                       Src. Port     : None
Dest. IP      : 0.0.0.0/0                           Dest. Port    : None
Protocol      : 2                                   Dscp         : Undefined
ICMP Type     : Undefined                           ICMP Code     : Undefined
TCP-syn       : Off                                 TCP-ack       : Off
Match action  : Drop
Ing. Matches  : 0                                   Egr. Matches  : 0
=====
A:ALA-49>config>filter#

*A:Dut-C>config>filter# show filter ip fSpec-1 associations
=====
IP Filter
=====
Filter Id      : fSpec-1                           Applied       : Yes
Scope         : Template                         Def. Action   : Forward
Radius Ins Pt: n/a
CrCtl. Ins Pt: n/a
Entries       : 2 (insert By Bgp)
Description   : BGP FlowSpec filter for the Base router
-----
Filter Association : IP
-----
Service Id    : 1                                   Type          : IES
- SAP        1/1/3:1.1 (merged in ip-fltr 10001)
=====
*A:Dut-C>config>filter#

*A:Dut-C>config>filter# show filter ip 10001
=====
IP Filter
=====
Filter Id      : 10001                             Applied       : Yes
Scope         : Template                         Def. Action   : Drop
Radius Ins Pt: n/a
CrCtl. Ins Pt: n/a
Entries       : 1
BGP Entries   : 2
Description   : (Not Specified)
-----
Filter Match Criteria : IP
-----
Entry         : 1
Description   : (Not Specified)

```

Show Commands

```
Log Id      : n/a
Src. IP     : 0.0.0.0/0
Dest. IP    : 0.0.0.0/0
Protocol    : 6
ICMP Type   : Undefined
Fragment    : Off
Sampling    : Off
IP-Option   : 0/0
TCP-syn     : Off
Match action : Forward
Next Hop    : Not Specified
Ing. Matches : 0 pkts
Egr. Matches : 0 pkts
```

```
Entry      : fSpec-1-32767 - inserted by BGP FLOWSpec
Description : (Not Specified)
Log Id     : n/a
Src. IP    : 0.0.0.0/0
Dest. IP   : 0.0.0.0/0
Protocol   : 6
ICMP Type  : Undefined
Fragment   : Off
Sampling   : Off
IP-Option  : 0/0
TCP-syn    : Off
Match action : Drop
Ing. Matches : 0 pkts
Egr. Matches : 0 pkts
```

```
Entry      : fSpec-1-49151 - inserted by BGP FLOWSpec
Description : (Not Specified)
Log Id     : n/a
Src. IP    : 0.0.0.0/0
Dest. IP   : 0.0.0.0/0
Protocol   : 17
ICMP Type  : Undefined
Fragment   : Off
Sampling   : Off
IP-Option  : 0/0
TCP-syn    : Off
Match action : Drop
Ing. Matches : 0 pkts
Egr. Matches : 0 pkts
```

```
=====
*A:Dut-C>config>filter#
```

Output Show Filter (with time-range specified) — If a time-range is specified for a filter entry, the following is displayed.

```
A:ALA-49# show filter ip 10
=====
IP Filter
=====
Filter Id      : 10
Scope          : Template
Entries        : 2
Applied        : No
Def. Action     : Drop
```



```
-----
Filter Match Criteria : IP
-----
```

```
Entry      : 1010
time-range : day                               Cur. Status : Inactive
Log Id     : n/a
Src. IP    : 0.0.0.0/0                             Src. Port    : None
Dest. IP   : 10.10.100.1/24                         Dest. Port   : None
Protocol   : Undefined                             Dscp        : Undefined
ICMP Type  : Undefined                             ICMP Code    : Undefined
Fragment   : Off                                  Option-present : Off
Sampling   : Off                                  Int. Sampling : On
IP-Option  : 0/0                                   Multiple Option: Off
TCP-syn    : Off                                  TCP-ack      : Off
Match action : Forward
Next Hop   : 138.203.228.28
Ing. Matches : 0                                  Egr. Matches : 0
```

```
Entry      : 1020
time-range : night                             Cur. Status : Active
Log Id     : n/a
Src. IP    : 0.0.0.0/0                             Src. Port    : None
Dest. IP   : 10.10.1.1/16                           Dest. Port   : None
Protocol   : Undefined                             Dscp        : Undefined
ICMP Type  : Undefined                             ICMP Code    : Undefined
Fragment   : Off                                  Option-present : Off
Sampling   : Off                                  Int. Sampling : On
IP-Option  : 0/0                                   Multiple Option: Off
TCP-syn    : Off                                  TCP-ack      : Off
Match action : Forward
Next Hop   : 172.22.184.101
Ing. Matches : 0                                  Egr. Matches : 0
```

```
=====
A:ALA-49#
```

Output **Show Filter Associations** — The following table describes the fields that display when the **associations** keyword is specified.

Label	Description
Filter Id	The IP filter policy ID.
Scope	Template – The filter policy is of type Template. Exclusive – The filter policy is of type Exclusive.
Entries	The number of entries configured in this filter ID.
Applied	No – The filter policy ID has not been applied. Yes – The filter policy ID is applied.
Def. Action	Forward – The default action for the filter ID for packets that do not match the filter entries is to forward. Drop – The default action for the filter ID for packets that do not match the filter entries is to drop.
Service Id	The service ID on which the filter policy ID is applied.
SAP	The Service Access Point on which the filter policy ID is applied.
(Ingress)	The filter policy ID is applied as an ingress filter policy on the interface.
(Egress)	The filter policy ID is applied as an egress filter policy on the interface.
Type	The type of service of the service ID.
Entry	The filter ID filter entry ID. If the filter entry ID indicates the entry is Inactive, the filter entry is incomplete as no action was specified.
Log Id	The filter log ID.
Src. IP	The source IP address and mask match criterion. 0.0.0.0/0 indicates no criterion specified for the filter entry.
Dest. IP	The destination IP address and mask match criterion. 0.0.0.0/0 indicates no criterion specified for the filter entry.
Protocol	The protocol ID for the match criteria. Undefined indicates no protocol specified.
ICMP Type	The ICMP type match criterion. Undefined indicates no ICMP type specified.
Fragment	False – Configures a match on all non-fragmented IP packets. True – Configures a match on all fragmented IP packets.

Label	Description (Continued)
	<i>Off</i> – Fragments are not a matching criteria. All fragments and non-fragments implicitly match.
Sampling	<p><i>Off</i> – Specifies that traffic sampling is disabled.</p> <p><i>On</i> – Specifies that traffic matching the associated IP filter entry is sampled.</p>
IP-Option	Specifies matching packets with a specific IP option or a range of IP options in the IP header for IP filter match criteria.
TCP-syn	<p><i>False</i> – Configures a match on packets with the SYN flag set to false.</p> <p><i>True</i> – Configured a match on packets with the SYN flag set to true.</p> <p><i>Off</i> – The state of the TCP SYN flag is not considered as part of the match criteria.</p>
Match action	<p><i>Default</i> – The filter does not have an explicit forward or drop match action specified. If the filter entry ID indicates the entry is <i>Inactive</i>, the filter entry is incomplete (no action was specified).</p> <p><i>Drop</i> – Drop packets matching the filter entry.</p> <p><i>Forward</i> – The explicit action to perform is forwarding of the packet. If the action is <i>Forward</i>, then if configured the next hop information should be displayed, including Next hop: <IP address>, Indirect: <IP address> or Interface: <IP interface name>.</p>
Ing. Matches	The number of ingress filter matches/hits for the filter entry.
Src. Port	The source TCP or UDP port number or port range.
Dest. Port	The destination TCP or UDP port number or port range.
Dscp	The DiffServ Code Point (DSCP) name.
ICMP Code	The ICMP code field in the ICMP header of an IP packet.
Option-present	<p><i>Off</i> – Specifies not to search for packets that contain the option field or have an option field of zero.</p> <p><i>On</i> – Matches packets that contain the option field or have an option field of zero be used as IP filter match criteria.</p>
Int. Sampling	<p><i>Off</i> – Interface traffic sampling is disabled.</p> <p><i>On</i> – Interface traffic sampling is enabled.</p>
Multiple Option	<p><i>Off</i> – The option fields are not checked.</p> <p><i>On</i> – Packets containing one or more option fields in the IP header will be used as IP filter match criteria.</p>

Label	Description (Continued)
TCP-ack	False – Configures a match on packets with the ACK flag set to false. True – configures a match on packets with the ACK flag set to true. off – The state of the TCP ACK flag is not considered as part of the match criteria.h criteria.
Egr. Matches	The number of egress filter matches/hits for the filter entry.

Sample Output

```
A:ALA-49# show filter ip 1 associations
=====
IP Filter
=====
Filter Id      : 1                               Applied       : Yes
Scope         : Template                       Def. Action   : Drop
Entries       : 1
-----
Filter Association : IP
-----
Service Id    : 1001                             Type          : VPLS
- SAP        1/1/1:1001 (Ingress)
Service Id    : 2000                             Type          : IES
- SAP        1/1/1:2000 (Ingress)
=====
Filter Match Criteria : IP
-----
Entry         : 10
Log Id        : n/a
Src. IP       : 10.1.1.1/24                       Src. Port     : None
Dest. IP      : 0.0.0.0/0                         Dest. Port    : None
Protocol      : 2                                 Dscp         : Undefined
ICMP Type     : Undefined                       ICMP Code     : Undefined
Fragment      : Off                             Option-present : Off
Sampling      : Off                             Int. Sampling : On
IP-Option     : 0/0                             Multiple Option: Off
TCP-syn       : Off                             TCP-ack      : Off
Match action  : Drop
Ing. Matches  : 0                               Egr. Matches  : 0
=====
A:ALA-49#
```

Output Show Filter Associations (with TOD-suite specified) — If a filter is referred to in a TOD Suite assignment, it is displayed in the show filter associations command output:

```
A:ALA-49# show filter ip 160 associations
=====
IP Filter
=====
Filter Id     : 160                               Applied       : No
```

```
Scope          : Template          Def. Action    : Drop
Entries       : 0
```

```
-----
Filter Association : IP
-----
```

```
Tod-suite "english_suite"
- ingress, time-range "day" (priority 5)
```

```
=====
A:ALA-49#
```

Output Show Filter Counters — The following table describes the output fields when the **counters** keyword is specified..

Label	Description
IP Filter Filter Id	The IP filter policy ID.
Scope	Template – The filter policy is of type Template. Exclusive – The filter policy is of type Exclusive.
Applied	No – The filter policy ID has not been applied. Yes – The filter policy ID is applied.
Def. Action	Forward – The default action for the filter ID for packets that do not match the filter entries is to forward. Drop – The default action for the filter ID for packets that do not match the filter entries is to drop.
Filter Match Criteria	IP – Indicates the filter is an IP filter policy.
Entry	The filter ID filter entry ID. If the filter entry ID indicates the entry is (Inactive), then the filter entry is incomplete as no action has been specified.
Ing. Matches	The number of ingress filter matches/hits for the filter entry.
Egr. Matches	The number of egress filter matches/hits for the filter entry. Note that egress counters count the packets without Layer 2 encapsulation. Ingress counters count the packets with Layer 2 encapsulation.

Sample Output

```
*A:ALA-48# show filter ipv6 100 counters
```

```
=====
IPv6 Filter
```

```
=====
Filter Id      : 100                      Applied       : No
```

```

Scope          : Template                      Def. Action    : Forward
Entries        : 1
Description    : IPv6 filter configuration
-----
Filter Match Criteria : IPv6
-----
Entry          : 10
Ing. Matches   : 9788619 pkts (978861900 bytes)
Egr. Matches   : 9788619 pkts (978861900 bytes)
=====
*A:ALA-48#

```

ipv6

- Syntax** `ipv6 {ipv6-filter-id [entry entry-id] [association | counters]}`
- Context** `show>filter`
- Description** This command shows IPv6 filter information.
- Parameters** *ipv6-filter-id* — Displays detailed information for the specified IPv6 filter ID and filter entries.
- Values** 1 — 65535
- entry** *entry-id* — Displays information on the specified IPv6 filter entry ID for the specified filter ID.
- Values** 1 — 9999
- associations** — Appends information as to where the IPv6 filter policy ID is applied to the detailed filter policy ID output.
- counters** — Displays counter information for the specified IPv6 filter ID. Note that egress counters count the packets without Layer 2 encapsulation. Ingress counters count the packets with Layer 2 encapsulation.
- Output** **Show Filter (no filter-id specified)** — The following table describes the command output for the command when no filter ID is specified.

Label	Description
Filter Id	The IP filter ID
Scope	Template — The filter policy is of type template. Exclusive — The filter policy is of type exclusive.
Applied	No — The filter policy ID has not been applied. Yes — The filter policy ID is applied.
Description	The IP filter policy description.

Sample Output

```

A:ALA-48# show filter ipv6
=====
IP Filters
=====
Filter-Id Scope      Applied Description
-----
100      Template  Yes    test
200      Exclusive Yes
-----
Num IPv6 filters: 2
=====
A:ALA-48#

```

Output **Show Filter (with filter-id specified)** — The following table describes the command output for the command when a filter ID is specified.

Label	Description
Filter Id	The IP filter policy ID.
Scope	Template – The filter policy is of type template. Exclusive – The filter policy is of type exclusive.
Entries	The number of entries configured in this filter ID.
Description	The IP filter policy description.
Applied	No – The filter policy ID has not been applied. Yes – The filter policy ID is applied.
Def. Action	Forward – The default action for the filter ID for packets that do not match the filter entries is to forward. Drop – The default action for the filter ID for packets that do not match the filter entries is to drop.
Filter Match Criteria	IP – Indicates the filter is an IP filter policy.
Entry	The filter ID filter entry ID. If the filter entry ID indicates the entry is (Inactive), then the filter entry is incomplete as no action has been specified.
Log Id	The filter log ID.
Src. IP	The source IP address and mask match criterion. 0.0.0.0/0 indicates no criterion specified for the filter entry.
Dest. IP	The destination IP address and mask match criterion. 0.0.0.0/0 indicates no criterion specified for the filter entry.

Label	Description (Continued)
Protocol	The protocol ID for the match criteria. Undefined indicates no protocol specified.
ICMP Type	The ICMP type match criterion. Undefined indicates no ICMP type specified.
Fragment	<p>False – Configures a match on all non-fragmented IP packets.</p> <p>True – Configures a match on all fragmented IP packets.</p> <p>Off – Fragments are not a matching criteria. All fragments and non-fragments implicitly match.</p>
Sampling	<p>Off – Specifies that traffic sampling is disabled.</p> <p>On – Specifies that traffic matching the associated IP filter entry is sampled.</p>
IP-Option	Specifies matching packets with a specific IP option or a range of IP options in the IP header for IP filter match criteria.
TCP-syn	<p>False – Configures a match on packets with the SYN flag set to false.</p> <p>True – Configured a match on packets with the SYN flag set to true.</p> <p>Off – The state of the TCP SYN flag is not considered as part of the match criteria.</p>
Match action	<p>Default – The filter does not have an explicit forward or drop match action specified. If the filter entry ID indicates the entry is (Inactive), then the filter entry is incomplete as no action has been specified.</p> <p>Drop – Drop packets matching the filter entry.</p> <p>Forward – The explicit action to perform is forwarding of the packet. If the action is Forward, then if configured the nexthop information should be displayed, including Nexthop: <IP address>, Indirect: <IP address> or Interface: <IP interface name>.</p>
Ing. Matches	The number of ingress filter matches/hits for the filter entry.
Src. Port	The source TCP or UDP port number or port range.
Dest. Port	The destination TCP or UDP port number or port range.
Dscp	The DiffServ Code Point (DSCP) name.
ICMP Code	The ICMP code field in the ICMP header of an IP packet.

Label	Description (Continued)
Option-present	<p>Off – Specifies not to search for packets that contain the option field or have an option field of zero.</p> <p>On – Matches packets that contain the option field or have an option field of zero be used as IP filter match criteria.</p>
Int. Sampling	<p>Off – Interface traffic sampling is disabled.</p> <p>On – Interface traffic sampling is enabled.</p>
Multiple Option	<p>Off – The option fields are not checked.</p> <p>On – Packets containing one or more option fields in the IP header will be used as IP filter match criteria.</p>
TCP-ack	<p>False – Configures a match on packets with the ACK flag set to false.</p> <p>True – Configured a match on packets with the ACK flag set to true.</p> <p>Off – The state of the TCP ACK flag is not considered as part of the match criteria.</p>
Egr. Matches	The number of egress filter matches/hits for the filter entry.

Sample Output

```
A:ALA-48# show filter ipv6 100
=====
IPv6 Filter
=====
Filter Id       : 100                               Applied       : Yes
Scope          : Template                           Def. Action   : Forward
Entries        : 1
Description    : test
-----
Filter Match Criteria : IPv6
-----
Entry          : 10
Log Id         : 101
Src. IP        : ::/0                               Src. Port     : None
Dest. IP       : ::/0                               Dest. Port    : None
Next Header    : Undefined                           Dscp          : Undefined
ICMP Type      : Undefined                           ICMP Code     : Undefined
TCP-syn        : Off                                TCP-ack       : Off
Match action   : Drop
Ing. Matches   : 0                                  Egr. Matches  : 0
=====
A:ALA-48#
```

Output **Show Filter Associations** — The following table describes the fields that display when the **associations** keyword is specified.

Label	Description
Filter Id	The IPv6 filter policy ID.
Scope	<p>Template – The filter policy is of type Template.</p> <p>Exclusive – The filter policy is of type Exclusive.</p>
Entries	The number of entries configured in this filter ID.
Applied	<p>No – The filter policy ID has not been applied.</p> <p>Yes – The filter policy ID is applied.</p>
Def. Action	<p>Forward – The default action for the filter ID for packets that do not match the filter entries is to forward.</p> <p>Drop – The default action for the filter ID for packets that do not match the filter entries is to drop.</p>
Service Id	The service ID on which the filter policy ID is applied.
SAP	The Service Access Point on which the filter policy ID is applied.
(Ingress)	The filter policy ID is applied as an ingress filter policy on the interface.
(Egress)	The filter policy ID is applied as an egress filter policy on the interface.
Type	The type of service of the service ID.
Entry	The filter ID filter entry ID. If the filter entry ID indicates the entry is Inactive, the filter entry is incomplete, no action was specified.
Log Id	The filter log ID.
Src. IP	The source IP address and mask match criterion. 0.0.0.0/0 indicates no criterion specified for the filter entry.
Dest. IP	The destination IP address and mask match criterion. 0.0.0.0/0 indicates no criterion specified for the filter entry.
Protocol	The protocol ID for the match criteria. Undefined indicates no protocol specified.
ICMP Type	The ICMP type match criterion. Undefined indicates no ICMP type specified.
Fragment	<p>False – Configures a match on all non-fragmented IP packets.</p> <p>True – Configures a match on all fragmented IP packets.</p> <p>Off – Fragments are not a matching criteria. All fragments and non-fragments implicitly match.</p>
Sampling	Off – Specifies that traffic sampling is disabled.

Label	Description (Continued)
	On – Specifies that traffic matching the associated IP filter entry is sampled.
IP-Option	Specifies matching packets with a specific IP option or a range of IP options in the IP header for IP filter match criteria.
TCP-syn	False – Configures a match on packets with the SYN flag set to false. True – Configures a match on packets with the SYN flag set to true. Off – The state of the TCP SYN flag is not considered as part of the match criteria.
Match action	Default – The filter does not have an explicit forward or drop match action specified. If the filter entry ID indicates the entry is Inactive, the filter entry is incomplete, no action was specified. Drop – Drop packets matching the filter entry. Forward – The explicit action to perform is forwarding of the packet. If the action is Forward, then if configured the nexthop information should be displayed, including Nexthop: <IP address>, Indirect: <IP address> or Interface: <IP interface name>.
Ing. Matches	The number of ingress filter matches/hits for the filter entry.
Src. Port	The source TCP or UDP port number or port range.
Dest. Port	The destination TCP or UDP port number or port range.
Dscp	The DiffServ Code Point (DSCP) name.
ICMP Code	The ICMP code field in the ICMP header of an IP packet.
Option-present	Off – Specifies not to search for packets that contain the option field or have an option field of zero. On – Matches packets that contain the option field or have an option field of zero be used as IP filter match criteria.
Int. Sampling	Off – Interface traffic sampling is disabled. On – Interface traffic sampling is enabled.
Multiple Option	Off – The option fields are not checked. On – Packets containing one or more option fields in the IP header will be used as IP filter match criteria.
TCP-ack	False – Configures a match on packets with the ACK flag set to false. True – Configured a match on packets with the ACK flag set to true.

Label	Description (Continued)
	<code>Off</code> – The state of the TCP ACK flag is not considered as part of the match criteria.
<code>Egr. Matches</code>	The number of egress filter matches/hits for the filter entry.

Sample Output

```
A:ALA-48# show filter ipv6 1 associations
=====
IPv6 Filter
=====
Filter Id      : 1                               Applied       : Yes
Scope         : Template                       Def. Action   : Drop
Entries       : 1
-----
Filter Association : IPv6
-----
Service Id    : 2000                             Type          : IES
- SAP        1/1/1:2000 (Ingress)
=====
Filter Match Criteria : IPv6
-----
Entry        : 10
Log Id       : 101
Src. IP      : ::/0                               Src. Port     : None
Dest. IP     : ::/0                               Dest. Port    : None
Next Header  : Undefined                         Dscp         : Undefined
ICMP Type    : Undefined                         ICMP Code    : Undefined
TCP-syn      : Off                               TCP-ack      : Off
Match action : Drop
Ing. Matches : 0                               Egr. Matches : 0
=====
A:ALA-48#
```

Output **Show Filter Counters** — The following table describes the output fields when the **counters** keyword is specified..

Label	Description
<code>IP Filter</code>	The IP filter policy ID.
<code>Filter Id</code>	
<code>Scope</code>	<code>Template</code> – The filter policy is of type template. <code>Exclusive</code> – The filter policy is of type exclusive.
<code>Applied</code>	<code>No</code> – The filter policy ID has not been applied. <code>Yes</code> – The filter policy ID is applied.

Label	Description (Continued)
Def. Action	<p>Forward – The default action for the filter ID for packets that do not match the filter entries is to forward.</p> <p>Drop – The default action for the filter ID for packets that do not match the filter entries is to drop.</p>
Filter Match Criteria	IP – Indicates the filter is an IP filter policy.
Entry	The filter ID filter entry ID. If the filter entry ID indicates the entry is (Inactive), then the filter entry is incomplete as no action has been specified.
Ing. Matches	The number of ingress filter matches/hits for the filter entry.
Egr. Matches	<p>The number of egress filter matches/hits for the filter entry.</p> <p>Note that egress counters count the packets without Layer 2 encapsulation. Ingress counters count the packets with Layer 2 encapsulation.</p>

Sample Output

```
A:ALA-48# show filter ipv6 8 counters
=====
IPv6 Filter
=====
Filter Id      : 8                               Applied       : Yes
Scope         : Template                       Def. Action   : Forward
Entries       : 4
Description    : Description for Ipv6 Filter Policy id # 8
-----
Filter Match Criteria : IPv6
-----
Entry         : 5
Ing. Matches  : 0 pkts
Egr. Matches  : 0 pkts

Entry         : 6
Ing. Matches  : 0 pkts
Egr. Matches  : 0 pkts

Entry         : 8
Ing. Matches  : 160 pkts (14400 bytes)
Egr. Matches  : 80 pkts (6880 bytes)

Entry         : 10
Ing. Matches  : 80 pkts (7200 bytes)
Egr. Matches  : 80 pkts (6880 bytes)

=====
A:ALA-48#
```

log

- Syntax** `log log-id [match string] [bindings]`
- Context** show>filter
- Description** This command shows the contents of a memory-based or a file-based filter log. If the optional keyword **match** and *string* parameter are given, the command displays the given filter log from the first occurrence of the given string.
- Parameters** *log-id* — The filter log ID destination expressed as a decimal integer.
- Values** 101 — 199
- match string** — Specifies to start displaying the filter log entries from the first occurrence of *string*.
- bindings** — Displays the number of filter logs currently instantiated.
- Output** **Log Message Formatting** — Each filter log entry contains the following information in case summary log feature is not active (as appropriate).

Label	Description
<i>yyyy/mm/dd</i> <i>hh:mm:ss</i>	The date and timestamp for the log filter entry where <i>yyyy</i> is the year, <i>mm</i> is the month, <i>dd</i> is the day, <i>hh</i> is the hour, <i>mm</i> is the minute and <i>ss</i> is the second.
Filter	The filter ID and the entry ID which generated the filter log entry in the form <i>Filter_ID:Entry_ID</i> .
Desc	The description of the filter entry ID which generated the filter log entry.
Interface	The IP interface on which the filter ID and entry ID was associated which generated the filter log entry.
Action	The action of the filter entry on the logged packet.
Src MAC	The source MAC address of the logged packet.
Dst MAC	The destination MAC of the logged packet.
EtherType	The Ethernet type of the logged Ethernet type II packet.
Src IP	The source IP address of the logged packet. The source port will be displayed after the IP address as appropriate separated with a colon.
Dst IP	The destination IP address of the logged packet. The source port will be displayed after the IP address as appropriate separated with a colon.
Flags (IP flags)	M — The more fragments IP flag is set in the logged packet. DF — The do not fragment IP flag is set in the logged packet.
TOS	The TOS byte value in the logged packet.

Label	Description (Continued)
Protocol	The IP protocol of the logged packet (TCP, UDP, ICMP or a protocol number in hex).
Flags (TCP flags)	URG – Urgent bit set. ACK – Acknowledgement bit set. RST – Reset bit set. SYN – Synchronize bit set. FIN – Finish bit set.
HEX	If an IP protocol does not have a supported decode, the first 32 bytes following the IP header are printed in a hex dump. Log entries for non-IP packets include the Ethernet frame information and a hex dump of the first 40 bytes of the frame after the Ethernet header.
Total Log Instances (Allowed)	Specifies the maximum allowed instances of filter logs allowed on the system.
Total Log Instances (In Use)	Specifies the instances of filter logs presently existing on the system.
Total Log Bindings	Specifies the count of the filter log bindings presently existing on the system.
Type	The type of service of the service ID.
Filter ID	Uniquely identifies an IP filter as configured on the system.
Entry ID	The identifier which uniquely identifies an entry in a filter table.
Log	Specifies an entry in the filter log table.
Instantiated	Specifies if the filter log for this filter entry has or has not been instantiated.

If the packet being logged does not have a source or destination MAC address (i.e., POS) then the MAC information output line is omitted from the log entry.

In case log summary is active, the filter log mini-tables contain the following information..

Label	Description
Summary Log LogID	Displays the log ID.
Crit1	Summary criterion that is used as index into the mini-tables of the log.
TotCnt	The total count of logs.
ArpCnt	Displays the total number of ARP messages logged for this log ID.

Label	Description (Continued)
Src... Dst...	The address type indication of the key in the mini-table.
count	The number of messages logged with the specified source/destination address.
address	The address for which count messages where received.

Sample Filter Log Output

```
2007/04/13 16:23:09 Filter: 100:100 Desc: Entry-100
Interface: to-ser1 Action: Forward
Src MAC: 04-5b-01-01-00-02 Dst MAC: 04-5d-01-01-00-02 EtherType: 0800
Src IP: 10.10.0.1:646 Dst IP: 10.10.0.4:49509 Flags: TOS: c0
Protocol: TCP Flags: ACK
```

```
2007/04/13 16:23:10 Filter: 100:100 Desc: Entry-100
Interface: to-ser1 Action: Forward
Src MAC: 04-5b-01-01-00-02 Dst MAC: 04-5d-01-01-00-02 EtherType: 0800
Src IP: 10.10.0.1:646 Dst IP: 10.10.0.3:646 Flags: TOS: c0
Protocol: UDP
```

```
2007/04/13 16:23:12 Filter: 100:100 Desc: Entry-100
Interface: to-ser1 Action: Forward
Src MAC: 04-5b-01-01-00-02 Dst MAC: 01-00-5e-00-00-05 EtherType: 0800
Src IP: 10.10.13.1 Dst IP: 224.0.0.5 Flags: TOS: c0
Protocol: 89
Hex: 02 01 00 30 0a 0a 00 01 00 00 00 00 ba 90 00 00
      00 00 00 00 00 00 00 00 ff ff ff 00 00 03 02 01
```

```
A:ALA-A>config# show filter log bindings
=====
Filter Log Bindings
=====
Total Log Instances (Allowed)      : 2046
Total Log Instances (In Use)      : 0
Total Log Bindings                 : 0
-----
Type  FilterId EntryId  Log      Instantiated
-----
No Instances found
=====
A:ALA-A>config#
```

Note: A summary log will be printed only in case TotCnt is different from 0. Only the address types with at least 1 entry in the minitable will be printed.

```
A:ALA-A>config# show filter log 190
=====
Summary Log[190] Crit1: SrcAddr TotCnt:      723 ArpCnt:      83
Mac      8 06-06-06-06-06-06
Mac      8 06-06-06-06-06-05
Mac      8 06-06-06-06-06-04
Mac      8 06-06-06-06-06-03
```



```

Mac          8  06-06-06-06-06-02
Ip           16  6.6.6.1
Ip           16  6.6.6.2
Ip           16  6.6.6.3
Ip           16  6.6.6.4
Ip           8   6.6.6.5
Ipv6        8   3FE:1616:1616:1616:1616:1616::
Ipv6        8   3FE:1616:1616:1616:1616:1616:FFFF:FFFF
Ipv6        8   3FE:1616:1616:1616:1616:1616:FFFF:FFFE
Ipv6        8   3FE:1616:1616:1616:1616:1616:FFFF:FFFD
Ipv6        8   3FE:1616:1616:1616:1616:1616:FFFF:FFFC
=====
A:ALA-A

```

mac

- Syntax** `mac [mac-filter-id [associations | counters] [entry entry-id]]`
- Context** `show>filter`
- Description** This command displays MAC filter information.
- Parameters** *mac-filter-id* — Displays detailed information for the specified filter ID and its filter entries.
- Values** 1 — 65535
- associations** — Appends information as to where the filter policy ID is applied to the detailed filter policy ID output.
- counters** — Displays counter information for the specified filter ID.
- entry entry-id** — Displays information on the specified filter entry ID for the specified filter ID only.
- Values** 1 — 65535
- Output** **No Parameters Specified** — When no parameters are specified, a brief listing of IP filters is produced. The following table describes the command output for the command.

Filter ID Specified — When the filter ID is specified, detailed filter information for the filter ID

Label	Description
Filter Id	The IP filter ID
Scope	Template – The filter policy is of type Template. Exclusiv – The filter policy is of type Exclusive.
Applied	No – The filter policy ID has not been applied. Yes – The filter policy ID is applied.
Description	The MAC filter policy description.

and its entries is produced. The following table describes the command output for the command.

Label	Description
MAC Filter Filter Id	The MAC filter policy ID.
Scope	Template – The filter policy is of type Template. Exclusiv – The filter policy is of type Exclusive.
Description	The IP filter policy description.
Applied	No – The filter policy ID has not been applied. Yes – The filter policy ID is applied.
Def. Action	Forward – The default action for the filter ID for packets that do not match the filter entries is to forward. Drop – The default action for the filter ID for packets that do not match the filter entries is to drop.
Filter Match Criteria	MAC – Indicates the filter is an MAC filter policy.
Entry	The filter ID filter entry ID. If the filter entry ID indicates the entry is (Inactive), then the filter entry is incomplete as no action has been specified.
Description	The filter entry description.
FrameType	Ethernet – The entry ID match frame type is Ethernet IEEE 802.3. Ethernet II – The entry ID match frame type is Ethernet Type II.
Src MAC	The source MAC address and mask match criterion. When both the MAC address and mask are all zeroes, no criterion specified for the filter entry.
Dest MAC	The destination MAC address and mask match criterion. When both the MAC address and mask are all zeroes, no criterion specified for the filter entry.

Label	Description (Continued)
Dot1p	The IEEE 802.1p value for the match criteria. Undefined indicates no value is specified.
Ethertype	The Ethertype value match criterion.
DSAP	The DSAP value match criterion. Undefined indicates no value specified.
SSAP	SSAP value match criterion. Undefined indicates no value specified.
Snap-pid	The Ethernet SNAP PID value match criterion. Undefined indicates no value specified.
Esnap-oui-zero	Non-Zero – Filter entry matches a non-zero value for the Ethernet SNAP OUI. Zero – Filter entry matches a zero value for the Ethernet SNAP OUI. Undefined – No Ethernet SNAP OUI value specified.
Match action	Default – The filter does not have an explicit forward or drop match action specified. If the filter entry ID indicates the entry is Inactive, the filter entry is incomplete, no action was specified. Drop – Packets matching the filter entry criteria will be dropped. Forward – Packets matching the filter entry criteria is forwarded.
Ing. Matches	The number of ingress filter matches/hits for the filter entry.
Egr. Matches	The number of egress filter matches/hits for the filter entry.

Sample Detailed Output

```

=====
Mac Filter : 200
=====
Filter Id       : 200                      Applied       : No
Scope          : Exclusive                 D. Action    : Drop
Description    : Forward SERVER sourced packets
-----
Filter Match Criteria : Mac
-----
Entry          : 200                      FrameType    : 802.2SNAP
Description    : Not Available
Src Mac       : 00:00:5a:00:00:00 ff:ff:ff:00:00:00
Dest Mac      : 00:00:00:00:00:00 00:00:00:00:00:00
Dot1p         : Undefined                 EtherType    : 802.2SNAP
DSAP          : Undefined                 SSAP         : Undefined
Snap-pid      : Undefined                 ESnap-oui-zero : Undefined
Match action  : Forward
Ing. Matches  : 0                        Egr. Matches : 0
Entry        : 300 (Inactive)           FrameType    : Ethernet
Description   : Not Available
Src Mac      : 00:00:00:00:00:00 00:00:00:00:00:00
Dest Mac     : 00:00:00:00:00:00 00:00:00:00:00:00
Dot1p        : Undefined                 EtherType    : Ethernet

```

```

DSAP          : Undefined          SSAP          : Undefined
Snap-pid     : Undefined          ESnap-oui-zero : Undefined
Match action  : Default
Ing. Matches  : 0                  Egr. Matches  : 0
=====

```

Filter Associations — The associations for a filter ID will be displayed if the **associations** keyword is specified. The association information is appended to the filter information. The following table describes the fields in the appended associations output.

Label	Description
Filter Association	Mac — The filter associations displayed are for a MAC filter policy ID.
Service Id	The service ID on which the filter policy ID is applied.
SAP	The Service Access Point on which the filter policy ID is applied.
Type	The type of service of the Service ID.
(Ingress)	The filter policy ID is applied as an ingress filter policy on the interface.
(Egress)	The filter policy ID is applied as an egress filter policy on the interface.

Sample Output

```

A:ALA-49# show filter mac 3 associations
=====
Mac Filter
=====
Filter ID: 3                               Applied      : Yes
Scope   : Template                         Def. Action  : Drop
Entries : 1
-----
Filter Association : Mac
-----
Service Id: 1001                             Type         : VPLS
- SAP 1/1/1:1001 (Egress)
=====
A:ALA-49#

```

Filter Entry Counters Output — When the **counters** keyword is specified, the filter entry output displays the filter matches/hit information. The following table describes the command output for the command.

Sample Output

Label	Description
Mac Filter Filter Id	The MAC filter policy ID.
Scope	Template – The filter policy is of type Template. Exclusive – The filter policy is of type Exclusive.
Description	The MAC filter policy description.
Applied	No – The filter policy ID has not been applied. Yes – The filter policy ID is applied.
Def. Action	Forward – The default action for the filter ID for packets that do not match the filter entries is to forward. Drop – The default action for the filter ID for packets that do not match the filter entries is to drop.
Filter Match Criteria	Mac – Indicates the filter is an MAC filter policy.
Entry	The filter ID filter entry ID. If the filter entry ID indicates the entry is (Inactive), then the filter entry is incomplete as no action has been specified.
FrameType	Ethernet – The entry ID match frame type is Ethernet IEEE 802.3. 802.2LLC – The entry ID match frame type is Ethernet IEEE 802.2 LLC. 802.2SNAP – The entry ID match frame type is Ethernet IEEE 802.2 SNAP. Ethernet II – The entry ID match frame type is Ethernet Type II.
Ing. Matches	The number of ingress filter matches/hits for the filter entry.
Egr. Matches	The number of egress filter matches/hits for the filter entry.

```
A:ALA-49# show filter mac 8 counters
=====
Mac Filter
=====
Filter Id   : 8                               Applied      : Yes
Scope      : Template                       Def. Action  : Forward
Entries    : 2
Description : Description for Mac Filter Policy id # 8
-----
Filter Match Criteria : Mac
-----
Entry       : 8                               FrameType    : Ethernet
Ing. Matches: 80 pkts (5440 bytes)
```

```
Egr. Matches: 62 pkts (3968 bytes)
Entry           : 10                               FrameType      : Ethernet
Ing. Matches: 80 pkts (5440 bytes)
Egr. Matches: 80 pkts (5120 bytes)
```

redirect-policy

Syntax `redirect-policy {redirect-policy-name [dest ip-address] [association]}`

Context show>filter

Description This command shows redirect filter information.

Parameters

- redirect-policy-name* — Displays information for the specified redirect policy.
- dest** *ip-address* — Directs the router to use a specified IP address for communication.
- association** — Appends association information.

Output **Redirect Policy Output** — The following table describes the fields in the redirect policy command output.

Label	Description
Redirect Policy	Specifies a specific redirect policy.
Applied	Specifies whether the redirect policy is applied to a filter policy entry.
Description	Displays the user-provided description for this redirect policy.
Active Destination	<i>ip address</i> – Specifies the IP address of the active destination. <i>none</i> – Indicates that there is currently no active destination.
Destination	Specifies the destination IP address.
Oper Priority	Specifies the operational value of the priority for this destination. The highest operational priority across multiple destinations is used as the preferred destination.
Admin Priority	Specifies the configured base priority for the destination.
Admin State	Specifies the configured state of the destination. <i>Out of Service</i> – Tests for this destination will not be conducted.
Oper State	Specifies the operational state of the destination.
Ping Test	Specifies the name of the ping test.
Timeout	Specifies the amount of time in seconds that is allowed for receiving a response from the far-end host. If a reply is not received within this time the far-end host is considered unresponsive.

Label	Description (Continued)
Interval	Specifies the amount of time in seconds between consecutive requests sent to the far end host.
Drop Count	Specifies the number of consecutive requests that must fail for the destination to be declared unreachable.
Hold Down	Specifies the amount of time in seconds that the system should be held down if any of the test has marked it unreachable.
Hold Remain	Specifies the amount of time in seconds that the system will remain in a hold down state before being used again.
Last Action at	Displays a time stamp of when this test received a response for a probe that was sent out.
SNMP Test	Specifies the name of the SNMP test.
URL Test	Specifies the name of the URL test.

Sample Output

```
A:ALA-A>config>filter# show filter redirect-policy
=====
Redirect Policies
=====
Redirect Policy          Applied Description
-----
wccp                    Yes
redirect1               Yes      New redirect info
redirect2               Yes      Test test test test
=====
ALA-A>config>filter#

ALA-A>config>filter# show filter redirect-policy redirect1
=====
Redirect Policy
=====
Redirect Policy: redirect1          Applied      : Yes
Description      : New redirect info
Active Dest     : 10.10.10.104
-----
Destination      : 10.10.10.104
-----
Description      : SNMP_to_104
Admin Priority    : 105                      Oper Priority: 105
Admin State      : Up                       Oper State   : Up

SNMP Test       : SNMP-1
Interval        : 30                      Timeout      : 1
Drop Count      : 30
Hold Down       : 120                    Hold Remain  : 0
Last Action at  : None Taken
-----
```

Show Commands

```
Destination      : 10.10.10.105
-----
Description      : another test
Admin Priority    : 95                               Oper Priority: 105
Admin State      : Up                               Oper State   : Down

Ping Test
Interval         : 1                               Timeout      : 30
Drop Count       : 5
Hold Down        : 0                               Hold Remain  : 0
Last Action at   : 03/19/2007 00:46:55           Action Taken : Disable
-----
Destination      : 10.10.10.106
-----
Description      : (Not Specified)
Admin Priority    : 90                               Oper Priority: 90
Admin State      : Up                               Oper State   : Down

URL Test         : URL_to_Proxy
Interval         : 10                              Timeout      : 10
Drop Count       : 3
Hold Down        : 0                               Hold Remain  : 0
Last Action at   : 03/19/2007 05:04:15           Action Taken : Disable
Priority Change: 0                               Return Code  : 0
=====
A:ALA-A>config>filter#

A:ALA-A>show filter redirect-policy redirect1 dest 10.10.10.106
=====
Redirect Policy
=====
Redirect Policy: redirect1                          Applied      : Yes
Description     : New redirect info
Active Dest     : 10.10.10.104
-----
Destination     : 10.10.10.106
-----
Description     : (Not Specified)
Admin Priority   : 90                               Oper Priority: 90
Admin State     : Up                               Oper State   : Down

URL Test        : URL_to_Proxy
Interval        : 10                              Timeout      : 10
Drop Count      : 3
Hold Down       : 0                               Hold Remain  : 0
Last Action at  : 03/19/2007 05:04:15           Action Taken : Disable
Priority Change: 0                               Return Code  : 0
=====
ALA-A#
```

Clear Commands

ip

Syntax	ip <i>ip-filter-id</i> [entry <i>entry-id</i>] [ingress egress]
Context	clear>filter
Description	<p>Clears the counters associated with the IP filter policy.</p> <p>By default, all counters associated with the filter policy entries are reset. The scope of which counters are cleared can be narrowed using the command line parameters.</p>
Default	clears all counters associated with the IP filter policy entries.
Parameters	<p><i>ip-filter-id</i> — The IP filter policy ID.</p> <p>Values 1 — 65535</p> <p><i>entry-id</i> — Specifies that only the counters associated with the specified filter policy entry will be cleared.</p> <p>Values 1 — 65535</p> <p>ingress — Specifies to only clear the ingress counters.</p> <p>egress — Specifies to only clear the egress counters.</p>

ipv6

Syntax	ipv6 <i>ip-filter-id</i> [entry <i>entry-id</i>] [ingress egress]
Context	clear>filter
Description	<p>Clears the counters associated with the IPv6 filter policy.</p> <p>By default, all counters associated with the filter policy entries are reset. The scope of which counters are cleared can be narrowed using the command line parameters.</p>
Default	Clears all counters associated with the IPv6 filter policy entries.
Parameters	<p><i>ip-filter-id</i> — The IP filter policy ID.</p> <p>Values 1 — 65535</p> <p><i>entry-id</i> — Specifies that only the counters associated with the specified filter policy entry will be cleared.</p> <p>Values 1 — 65535</p> <p>ingress — Specifies to only clear the ingress counters.</p>

Show Commands

egress — Specifies to only clear the egress counters.

log

Syntax	log <i>log-id</i>
Context	clear
Description	Clears the contents of a memory or file based filter log. This command has no effect on a syslog based filter log.
Parameters	<i>log-id</i> — The filter log ID destination expressed as a decimal integer. Values 101 — 199

mac

Syntax	mac <i>mac-filter-id</i> [entry <i>entry-id</i>] [ingress egress]
Context	clear>filter Clears the counters associated with the MAC filter policy. By default, all counters associated with the filter policy entries are reset. The scope of which counters are cleared can be narrowed using the command line parameters.
Default	Clears all counters associated with the MAC filter policy entries
Parameters	<i>mac-filter-id</i> — The MAC filter policy ID. Values 1 — 65535 <i>entry-id</i> — Specifies that only the counters associated with the specified filter policy entry will be cleared. Values 1 — 65535 ingress — Specifies to only clear the ingress counters. egress — Specifies to only clear the egress counters.

Monitor Commands

filter

Syntax	filter ip <i>ip-filter-id</i> entry <i>entry-id</i> [interval <i>seconds</i>] [repeat <i>repeat</i>] [absolute rate]
Context	monitor
Description	This command monitors the counters associated with the IP filter policy.
Parameters	<p><i>ip-filter-id</i> — The IP filter policy ID.</p> <p>Values 1 — 65535</p> <p><i>entry-id</i> — Specifies that only the counters associated with the specified filter policy entry will be monitored.</p> <p>Values 1 — 65535</p> <p>interval — Configures the interval for each display in seconds.</p> <p>Default 10 seconds</p> <p>Values 3 — 60</p> <p>repeat <i>repeat</i> — Configures how many times the command is repeated.</p> <p>Default 10</p> <p>Values 1 — 999</p> <p>absolute — When the absolute keyword is specified, the raw statistics are displayed, without processing. No calculations are performed on the delta or rate statistics.</p> <p>rate — When the rate keyword is specified, the rate-per-second for each statistic is displayed instead of the delta.</p>

filter

Syntax	filter ipv6 <i>ipv6-filter-id</i> entry <i>entry-id</i> [interval <i>seconds</i>] [repeat <i>repeat</i>] [absolute rate]
Context	monitor
Description	This command monitors the counters associated with the IPv6 filter policy.
Parameters	<p><i>ipv6-filter-id</i> — The IP filter policy ID.</p> <p>Values 1 — 65535</p> <p><i>entry-id</i> — Specifies that only the counters associated with the specified filter policy entry will be monitored.</p> <p>Values 1 — 65535</p>

interval — Configures the interval for each display in seconds.

Default 5 seconds

Values 3 — 60

repeat *repeat* — Configures how many times the command is repeated.

Default 10

Values 1 — 999

absolute — When the **absolute** keyword is specified, the raw statistics are displayed, without processing. No calculations are performed on the delta or rate statistics.

rate — When the **rate** keyword is specified, the rate-per-second for each statistic is displayed instead of the delta.

filter

Syntax **filter mac** *mac-filter-id* **entry** *entry-id* [**interval** *seconds*] [**repeat** *repeat*] [**absolute** | **rate**]

Context monitor

Description This command monitors the counters associated with the MAC filter policy.

Parameters *mac-filter-id* — The MAC filter policy ID.

Values 1 — 65535

entry-id — Specifies that only the counters associated with the specified filter policy entry will be cleared.

Values 1 — 65535

interval — Configures the interval for each display in seconds.

Default 5 seconds

Values 3 — 60

repeat *repeat* — Configures how many times the command is repeated.

Default 10

Values 1 — 999

absolute — When the **absolute** keyword is specified, the raw statistics are displayed, without processing. No calculations are performed on the delta or rate statistics.

rate — When the **rate** keyword is specified, the rate-per-second for each statistic is displayed instead of the delta.

In This Chapter

This chapter provides information to configure Cflowd.

Topics in this chapter include:

- [Cflowd Overview on page 486](#)
 - [Operation on page 487](#)
 - [Cflowd Filter Matching on page 491](#)
- [Cflowd Configuration Process Overview on page 492](#)
- [Configuration Notes on page 493](#)

Cflowd Overview

Cflowd is a tool used to sample IPv4, IPv6 and MPLS traffic data flows through a router. Cflowd enables traffic sampling and analysis by ISPs and network engineers to support capacity planning, trends analysis, and characterization of workloads in a network service provider environment.

Cflowd is also useful for Web host tracking, accounting, network planning and analysis, network monitoring, developing user profiles, data warehousing and mining, as well as security-related investigations. Collected information can be viewed several ways such as in port, AS, or network matrices, and pure flow structures. The amount of data stored depends on the cflowd configurations.

Cflowd maintains a list of data flows through a router. A flow is a uni-directional traffic stream defined by several characteristics such as source and destination IP addresses, source and destination ports, inbound interface, IP protocol and TOS bits.

When a router receives a packet for which it currently does not have a flow entry, a flow structure is initialized to maintain state information regarding that flow, such as the number of bytes exchanged, IP addresses, port numbers, AS numbers, etc. Each subsequent packet matching the same parameters of the flow contribute to the byte and packet count of the flow until the flow is terminated and exported to a collector for storage.

Cflowd is not supported on the 7750 SR-1 chassis.

Operation

Figure 21 depicts the basic operation of the cflowd feature. This sample flow is only used to describe the basic steps that are performed. It is not intended to specify implementation.

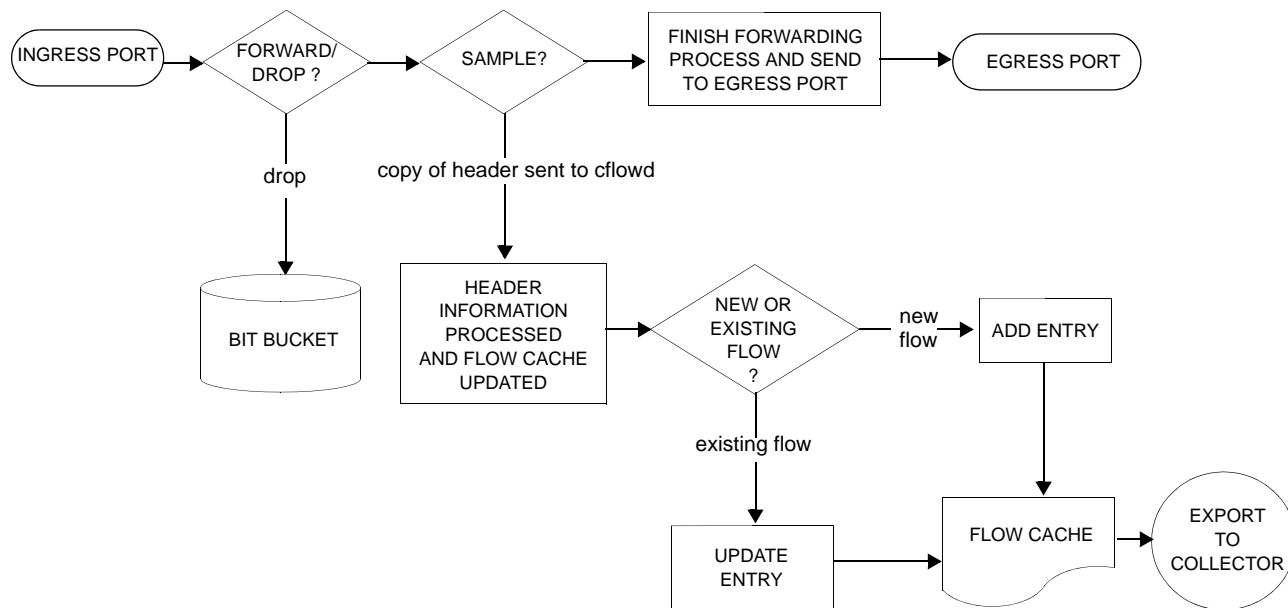


Figure 21: Basic Cflowd Steps

1. As a packet ingresses a port, a decision is made to forward or drop the packet.
2. If the packet is forwarded, it is then decided if the packet should be sampled for cflowd.
3. If a new flow is found, a new entry is added to the cache. If the flow already exists in the cache, the flow statistics are updated.
4. If a new flow is detected and the maximum number of entries are already in the flow cache, the earliest expiry entry is removed. The earliest expiry entry/flow is the next flow that will expire due to the active or inactive timer expiration.
5. If a flow has been inactive for a period of time equal to or greater than the inactive timer (default 15 seconds), then the entry is removed from the flow cache.
6. If a flow has been active for a period of time equal to or greater than the active timer (default 30 minutes), then the entry is removed from the flow cache.

When a flow is exported from the cache, the collected data is sent to an external collector which maintains an accumulation of historical data flows that network operators can use to analyze traffic patterns.

Data is exported in one of the following formats:

- Version 5 — Generates a fixed export record for each individual flow captured.
- Version 8 — Aggregates multiple individual flows into a fixed aggregate record.
- Version 9 — Generates a variable export record, depending on user configuration and sampled traffic type (IPv4, IPv6, or MPLS), for each individual flow captured.
- Version 10 (IPFIX) — Generates a variable export record, depending on user configuration and sampled traffic type (IPv4, IPv6, or MPLS), for each individual flow captured.

There are several different aggregate flow types including:

- AS matrix
- Destination prefix matrix
- Source prefix matrix
- Prefix matrix
- Protocol/port matrix.

V8 is an aggregated export format. As individual flows are aged out of the raw flow cache, the data is added to the aggregate flow cache for each configured aggregate type. Each of these aggregate flows are also aged in a manner similar to the method the active flow cache entries are aged. When an aggregate flow is aged out, it is sent to the external collector in the V8 record format.

[Figure 22](#) depicts Version 5, Version 8, Version 9, and Version 10 flow processing.

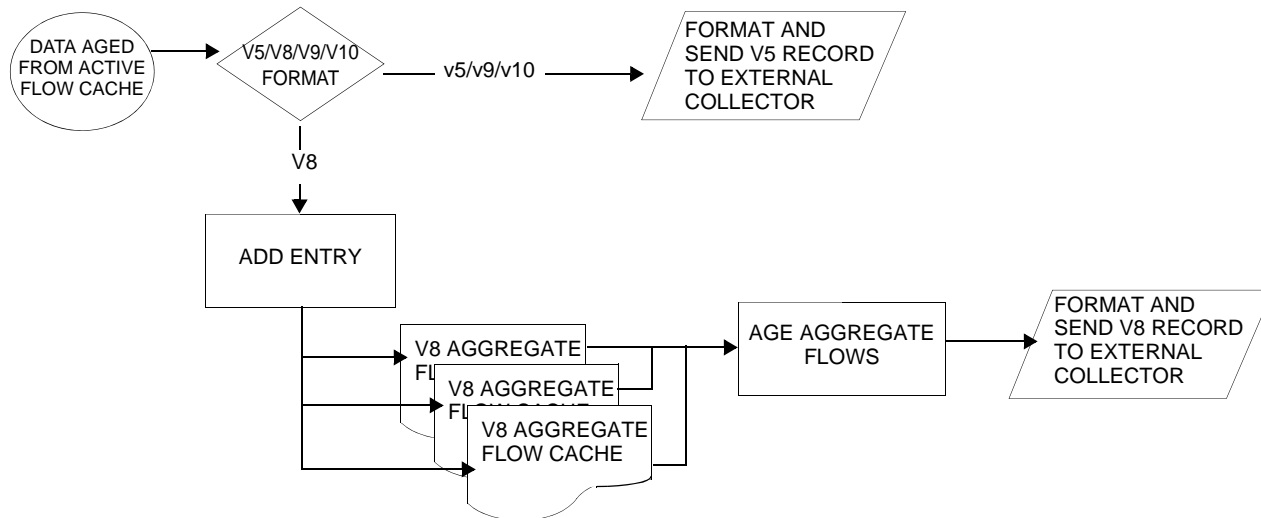


Figure 22: V5, V8, V9, V10, and Flow Processing

1. As flows are expired from the active flow cache, the export format must be determined, either Version 5, Version 8, Version 9, and Version 10.
2. If the export format is Version 5 or Version 9 and Version 10, no further processing is performed and the flow data is accumulated to be sent to the external collector.
3. If the export format is Version 8, then the flow entry is added to one or more of the configured aggregation matrices.

As the entries within the aggregate matrices are aged out, they are accumulated to be sent to the external flow collector in Version 8 format.

The sample rate and cache size are configurable values. The cache size default is 64K flow entries.

A flow terminates when one of the following conditions is met:

- When the inactive timeout period expires (default: 15 seconds). A flow is considered terminated when no packets are seen for the flow for N seconds.
- When an active timeout expires (default: 30 seconds). Default active timeout is 30 minutes. A flow terminates according to the time duration regardless of whether or not there are packets coming in for the flow.
- When the user executes a **clear cflowd** command.
- When other measures are met that apply to aggressively age flows as the cache becomes too full (such as *overflow percent*).

Version 9

The Version 9 format is a more flexible format and allows for different templates or sets of cflowd data to be sent based on the type of traffic being sampled and the template set configured.

Version 9 is interoperable with RFC 3954, *Cisco Systems NetFlow Services Export Version 9*.

Version 10

Version 10 is a new format and protocol that inter-operates with the specifications from the IETF as the IP Flow Information Export (IPFIX) standard. Like Version 9, the version 10 format uses templates to allow for different data elements regarding a flow that is to be exported and to handle different type of data flows such as IPv4, IPv6, and MPLS.

Version 10 is interoperable with RFC 5150 and 5102.

Cflowd Filter Matching

In the filter-matching process, normally, every packet is matched against filter (access list) criteria to determine acceptability. With cflowd, only the first packet of a flow is checked. If the first packet is forwarded, an entry is added to the cflowd cache. Subsequent packets in the same flow are then forwarded without needing to be matched against the complete set of filters. Specific performance varies depending on the number and complexity of the filters.

Cflowd Configuration Process Overview

Figure 23 displays the process to configure Cflowd parameters.

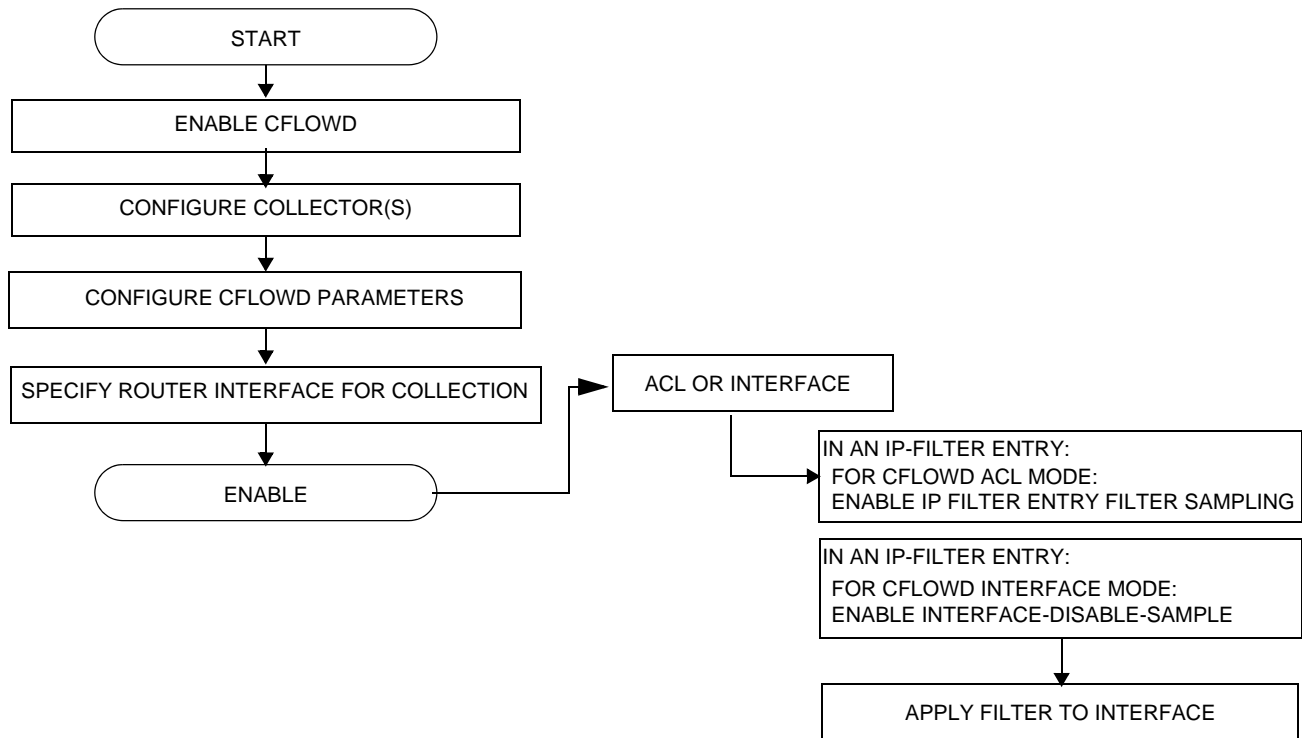


Figure 23: Cflowd Configuration and Implementation Flow

There are three modes in which cflowd can be enabled to sample traffic on a given interface:

- Cflowd interface, where all traffic entering a given port will be subjected to sampling as the configured sampling rate
- Cflowd interface plus the definition of IP filters which specify an action of interface-disable-sample, in which traffic that matches these filter entries will not be subject to cflowd sampling.
- Cflowd ACL, where IP filters must be created with entries containing the action filter-sampled. In this mode only traffic matching these filter entries will be subject to the cflowd sampling process.

Configuration Notes

The following cflowd components must be configured for cflowd to be operational:

- Cflowd is enabled globally.
- At least one collector must be configured and enabled.
- A cflowd option must be specified and enabled on a router interface.
- Sampling must be enabled on either:
 - An IP filter which is applied to a port or service.
 - An interface on a port or service.

Configuring Cflowd with CLI

This section provides information to configure cflowd using the command line interface.

Topics in this section include:

- [Cflowd Configuration Overview on page 496](#)
 - [Traffic Sampling on page 496](#)
 - [Collectors on page 497](#)
 - [Aggregation on page 497](#)
- [Basic Cflowd Configuration on page 499](#)
- [Common Configuration Tasks on page 500](#)
 - [Enabling Cflowd on page 502](#)
 - [Configuring Global Cflowd Parameters on page 503](#)
 - [Configuring Cflowd Collectors on page 504](#)
 - [Dependencies on page 513](#)
 - [Enabling Cflowd on Interfaces and Filters on page 509](#)
 - [Specifying Cflowd Options on an IP Interface on page 510](#)
 - [Specifying Sampling Options in Filter Entries on page 512](#)
- [Cflowd Configuration Management Tasks on page 515](#)
 - [Modifying Global Cflowd Components on page 515](#)
 - [Modifying Cflowd Collector Parameters on page 516](#)

Cflowd Configuration Overview

The 7750 SR OS implementation of cflowd supports the option to analyze traffic flow. The implementation also supports the use of traffic/access list (ACL) filters to limit the type of traffic that is analyzed.

Cflowd is not supported on the 7750 SR-1 chassis.

Traffic Sampling

Traffic sampling does not examine all packets received by a router. Command parameters allow the rate at which traffic is sampled and sent for flow analysis to be modified. The default sampling rate is every 1000th packet. Excessive sampling over an extended period of time, for example, more than every 1000th packet, can burden router processing resources.

The following data is maintained for each individual flow in the raw flow cache:

- Source IP address
- Destinations IP address
- Source port
- Destination port
- Input interface
- Output interface
- IP protocol
- TCP flags
- First timestamp (of the first packet in the flow)
- Last timestamp (timestamp of last packet in the flow prior to expiry of the flow)
- Source AS number for peer and origin (taken from BGP)
- Destination AS number for peer and origin (taken from BGP)
- IP next hop
- BGP next hop
- ICMP type and code
- IP version
- Source prefix (from routing)
- Destination prefix (from routing)
- MPLS label stack from label 1 to 6

Within the raw flow cache, the following characteristics are used to identify an individual flow:

- Ingress interface
- Source IP address
- Destination IP address
- Source transport port number
- Destination transport port number
- IP protocol type
- IP TOS byte
- Virtual router id
- ICMP type and code
- MPLS labels

The 7750 SR OS implementation allows you to enable cflowd either at the interface level or as an action to a filter. By enabling cflowd at the interface level, all IP packets forwarded by the interface are subject to cflowd analysis. By setting cflowd as an action in a filter, only packets matching the specified filter are subject to cflowd analysis. This provides the network operator greater flexibility in the types of flows that are captured.

Collectors

A collector defines the data flow for exporting sampled data from the cache. A maximum of 5 collectors can be configured. Each collector is identified by a unique IP address and UDP port value. Each collector can only export traffic in one version type, either V5, V8, V9, or V10.

The parameters within a collector configuration can be modified or the defaults retained.

The `autonomous-system-type` command defines whether the autonomous system information to be included in the flow data is based on the originating AS or external peer AS of the flow.

Aggregation

V8 aggregation allows for flow data to be aggregated into larger, less granular flows. Use aggregation commands to specify the type of data to be collected.

The following aggregation schemes are supported:

- AS matrix — Flows are aggregated based on source and destination AS and ingress and egress interface.

- Protocol-port — Flows are aggregated based on the IP protocol, source port number, and destination port number.
- Source prefix — Flows are aggregated based on source prefix and mask, source AS, and ingress interface.
- Destination prefix — Flows are aggregated based on destination prefix and mask, destination AS, and egress interface.
- Source-destination prefix — Flows are aggregated based on source prefix and mask, destination prefix and mask, source and destination AS, ingress interface and egress interface.
- Raw — Flows are not aggregated and are sent to the collector in a V5 record.

Basic Cflowd Configuration

This section provides information to configure cflowd and configuration examples of common configuration tasks. In order to sample traffic, the minimal cflowd parameters that need to be configured are:

- Cflowd must be enabled.
- At least one collector must be configured and enabled.
- Sampling must be enabled on either:
 - An IP filter entry and applied to a service or an port.
 - An interface applied to a port.

The following example displays a cflowd configuration.

```
A:ALA-1>config>cflowd# info detail
-----
    active-timeout 30
    cache-size 65536inactive-timeout 15
    overflow 1
    rate 1000
    collector 10.10.10.103:2055 version 9
        no aggregation
        autonomous-system-type origin
        description "V9 collector"
        no shutdown
    exit
    template-retransmit 330
    exit
    no shutdown
-----
A:ALA-1>config>cflowd#
```

Common Configuration Tasks

This section provides a brief overview of the tasks that must be performed to configure cflowd and provides the CLI commands. In order to begin traffic flow sampling, cflowd must be enabled and at least one collector must be configured.

Global Cflowd Components

The components common (global) to all instances of cflowd include the following parameters:

- Active timeout
- Inactive timeout
- Cache size
- Overflow
- Rate
- Template retransmit

Configuring Cflowd

Use the CLI syntax displayed below to perform the following tasks:

- [Enabling Cflowd on page 502](#)
- [Configuring Global Cflowd Parameters on page 503](#)
- [Configuring Cflowd Collectors on page 504](#)
- [Enabling Cflowd on Interfaces and Filters on page 509](#)

CLI Syntax: config>cflowd#
active-timeout *minutes*
cache-size *num-entries*
inactive-timeout *seconds*
template-retransmit *seconds*
overflow *percent*
rate *sample-rate*
collector *ip-address[:port]* {version [5 | 8 | 9 |10]}

- aggregation
 - as-matrix
 - destination-prefix
 - protocol-port
 - raw
 - source-destination-prefix
 - source-prefix
- template-set {basic | mpls-ip}
- autonomous-system-type [*origin* | *peer*]
- description *description-string*
- no shutdown
- no shutdown

Enabling Cflowd

Cflowd is disabled by default. Executing the command `configure cflowd` will enable cflowd, by default cflowd is not shutdown but must be configured including at least one collector to be active.

Use the following CLI syntax to enable cflowd:

CLI Syntax: `config# cflowd`
`no shutdown`

The following example displays the default values when cflowd is initially enabled. No collectors or collector options are configured.

```
A:ALA-1>config# info detail
...
#-----
echo "Cflowd Configuration"
#-----
    cflowd
        active-timeout 30
        cache-size 65536
        inactive-timeout 15
        overflow 1
        rate 1000
        template-retransmit 600
        no shutdown
    exit
#-----
A:ALA-1>config#
```

Configuring Global Cflowd Parameters

The following cflowd parameters apply to all instances where cflowd (traffic sampling) is enabled.

Use the following CLI commands to configure cflowd parameters:

CLI Syntax: config>cflowd#
active-timeout *minutes*
cache-size *num-entries*
inactive-timeout *seconds*
overflow *percent*
rate *sample-rate*
template-retransmit *seconds*
no shutdown

The following example displays a common cflowd component configuration:

```
A:ALA-1>config>cflowd# info
#-----
    active-timeout 20
    inactive-timeout 10
    overflow 10
    rate 100
#-----
A:ALA-1>config>cflowd#
```

Configuring Cflowd Collectors

To configure cflowd collector parameters, enter the following commands:

```
CLI Syntax: config>cflowd#
                collector ip-address[:port] [version version]
                   aggregation
                       as-matrix
                       destination-prefix
                       protocol-port
                       raw
                       source-destination-prefix
                       source-prefix
                   autonomous-system-type [origin | peer]
                   description description-string
                   no shutdown
                   template-set {basic | mpls-ip}
```

The following example displays a basic cflowd configuration:

```
A:ALA-1>config>cflowd# info
-----
active-timeout 20
  inactive-timeout 10
  overflow 10
  rate 100
  collector 10.10.10.1:2000 version 8
    aggregation
      as-matrix
      raw
    exit
    description "AS info collector"
  exit
  collector 10.10.10.2:5000 version 8
    aggregation
      protocol-port
      source-destination-prefix
    exit
    autonomous-system-type peer
    description "Neighbor collector"
  exit
-----
A:ALA-1>config>cflowd#
```

Version 9 Collector example:

```
collector 10.10.10.9:2000 version 9
  description "v9collector"
  template-set mpls-ip
  no shutdown
```



```
exit
```

Version 9 and Verison 10 Templates

If the collector is configured to use either version 9 or 10 formats, the flow data is sent to the designated collector using one of the pre-defined templates. The template used is based on the type of flow for which the data was collected (IPv4, IPv6, or MPLS), and the configuration of the template-set parameter. The following table indicates the relationship between these values and the corresponding template used to export the flow data.

Table 12: Template-Set

Traffic type	Basic	MPLS-IP
IPv4	Basic IPv4	MPLS-IPv4
IPv6	Basic IPv6	MPLS-IPv6
MPLS	Basic MPLS	MPLS-IP

Basic IPv4 Template:

```
0 IPv4 Src Addr (8)
0 IPv4 Dest Addr (12)
0 IPv4 Nexthop (15)
0 BGP Nexthop (18)
0 Ingress Interface (10)
0 Egress Interface (14)
0 Packet Count (2)
0 Byte Count (1)
0 Start Time (22)
0 End Time (21)
0 Flow Start Milliseconds (152)
0 Flow End Milliseconds (153)
0 Src Port (7)
0 Dest Port (11)
0 TCP control Bits (Flags) (6)
0 IPv4 Protocol (4)
0 IPv4 TOS (5)
0 IP version (60)
0 ICMP Type & Code (32)
0 BGP Source ASN (16)
0 BGP Dest ASN (17)
0 Source IPv4 Prefix Length (9)
0 Dest IPv4 Prefix Length (13)
```

MPLS-IPv4 Template:

```
0 IPv4 Src Addr (8)
```

Common Configuration Tasks

```
0 IPv4 Dest Addr (12)
0 IPv4 Nexthop (15)
0 BGP Nexthop (18)
0 Ingress Interface (10)
0 Egress Interface (14)
0 Packet Count (2)
0 Byte Count (1)
0 Start Time (22)
0 End Time (21)
0 Flow Start Milliseconds (152)
0 Flow End Milliseconds (153)
0 Src Port (7)
0 Dest Port (11)
0 TCP control Bits (Flags) (6)
0 IPv4 Protocol (4)
0 IPv4 TOS (5)
0 IP version (60)
0 ICMP Type & Code (32)
0 BGP Source ASN (16)
0 BGP Dest ASN (17)
0 Source IPv4 Prefix Length (9)
0 Dest IPv4 Prefix Length (13)
0 MPLS Label 1 (70)
0 MPLS Label 2 (71)
0 MPLS Label 3 (72)
0 MPLS Label 4 (73)
0 MPLS Label 5 (74)
0 MPLS Label 6 (75)
```

Basic-IPv6 Template:

```
0 IPv6 Src Addr (27)
0 IPv6 Dest Addr (28)
0 IPv6 Nexthop (62)
0 IPv6 BGP Nexthop (63)
0 IPv4 Nexthop (15)
0 IPv4 BGP Nexthop (18)
0 Ingress Interface (10)
0 Egress Interface (14)
0 Packet Count (2)
0 Byte Count (1)
0 Start Time (22)
0 End Time (21)
0 Flow Start Milliseconds (152)
0 Flow End Milliseconds (153)
0 Src Port (7)
0 Dest Port (11)
0 TCP control Bits (Flags) (6)
0 Protocol (4)
0 IPv6 Options Hdr (64)
0 IPv6 Next Header (193)
0 IPv6 Flow Label (31)
0 TOS (5)
0 IP version (60)
0 IPv6 ICMP Type & Code (139)
0 BGP Source ASN (16)
0 BGP Dest ASN (17)
```

```
0 IPv6 Src Mask (29)
0 IPv6 Dest Mask (30)
```

MPLS-IPv6 Template:

```
0 IPv6 Src Addr (27)
0 IPv6 Dest Addr (28)
0 IPv6 Nexthop (62)
0 IPv6 BGP Nexthop (63)
0 IPv4 Nexthop (15)
0 IPv4 BGP Nexthop (18)
0 Ingress Interface (10)
0 Egress Interface (14)
0 Packet Count (2)
0 Byte Count (1)
0 Start Time (22)
0 End Time (21)
0 Flow Start Milliseconds (152)
0 Flow End Milliseconds (153)
0 Src Port (7)
0 Dest Port (11)
0 TCP control Bits (Flags) (6)
0 Protocol (4)
0 IPv6 Option Hdr (64)
0 IPv6 Next Header (193)
0 IPv6 Flow Label (31)
0 TOS (5)
0 IP version (60)
0 IPv6 ICMP Type & Code (139)
0 BGP Source ASN (16)
0 BGP Dest ASN (17)
0 IPv6 Src Mask (29)
0 IPv6 Dest Mask (30)
0 MPLS Label 1 (70)
0 MPLS Label 2 (71)
0 MPLS Label 3 (72)
0 MPLS Label 4 (73)
0 MPLS Label 5 (74)
0 MPLS Label 6 (75)
```

Basic MPLS:

```
0 Start Time (22)
0 End Time (21)
0 Flow Start Milliseconds (152)
0 Flow End Milliseconds (153)
0 Ingress Interface (10)
0 Egress Interface (14)
0 Packet Count (2)
0 Byte Count (1)
0 MPLS Label 1 (70)
0 MPLS Label 2 (71)
0 MPLS Label 3 (72)
0 MPLS Label 4 (73)
0 MPLS Label 5 (74)
0 MPLS Label 6 (75)
```

MPLS-IP flows:

```
0   IPv4 Src Addr (8)
0   IPv4 Dest Addr (12)
0   IPv4 Nexthop (15)
0   IPv6 Src Addr (27)
0   IPv6 Dest Addr (28)
0   IPv6 Nexthop (62)
0   Ingress Interface (10)
0   Egress Interface (14)
0   Packet Count (2)
0   Byte Count (1)
0   Start Time (22)
0   End Time (21)
0   Flow Start Milliseconds (152)
0   Flow End Milliseconds (153)
0   Src Port (7)
0   Dest Port (11)
0   TCP control Bits (Flags) (6)
0   IPv4 Protocol (4)
0   IPv4 TOS (5)
0   IP version (60)
0   ICMP Type & Code (32)
0   MPLS Label 1 (70)
0   MPLS Label 2 (71)
0   MPLS Label 3 (72)
0   MPLS Label 4 (73)
0   MPLS Label 5 (74)
0   MPLS Label 6 (75)
```

Enabling Cflowd on Interfaces and Filters

This section discusses the following cflowd configuration management tasks:

- [Dependencies on page 513](#)
- [Specifying Cflowd Options on an IP Interface on page 510](#)
 - [Interface Configurations on page 510](#)
 - [Service Interfaces on page 511](#)
- [Specifying Sampling Options in Filter Entries on page 512](#)
 - [Interface Configurations on page 510](#)

Specifying Cflowd Options on an IP Interface

When cflowd is enabled on an interface, all packets forwarded by the interface are subject to analysis according to the global cflowd configuration and sorted according to the collector configuration(s).

Refer to [Table 13, Cflowd Configuration Dependencies, on page 514](#) for configuration combinations.

When the cflowd interface option is configured in the **config>router>interface** context, the following requirements must be met to enable traffic sampling on the specific interface:

1. Cflowd must be enabled.
2. At least one cflowd collector must be configured and enabled.
3. The **interface>cflowd interface** option must be selected. For configuration information, refer to the Filter Policy Overview section of the 7750 SR OS Router Configuration Guide.
4. To omit certain types of traffic from being sampled when the interface sampling is enabled, the **config>filter>ip-filter>entry>interface-disable-sample** option may be enabled via an ip-filter or ipv6-filter. The filter must be applied to the service or network interface on which the traffic to be omitted is to ingress the system.

Interface Configurations

CLI Syntax:

```
config>router>if#
    cflowd {acl|interface}
    no cflowd
```

Depending on the option selected, either `acl` or `interface`, cflowd extracts traffic flow samples from an IP filter or an interface for analysis. All packets forwarded by the interface are analyzed according to the cflowd configuration.

The `acl` option must be selected in order to enable traffic sampling on an IP filter. Cflowd (`filter-sample`) must be enabled in at least one IP filter entry.

The `interface` option must be selected in order to enable traffic sampling on an interface. If cflowd is not enabled (`no cflowd`) then traffic sampling will not occur on the interface.

Service Interfaces

CLI Syntax: `config>service>vpls service-id# interface ip-int-name
cflowd {acl|interface}`

When enabled on a service interface, cflowd collects routed traffic flow samples through a router for analysis. Cflowd is supported on IES and VPRN services interfaces only. Layer 2 traffic is excluded. All packets forwarded by the interface are analyzed according to the cflowd configuration. On the interface level, cflowd can be associated with a filter (ACL) or an IP interface.

Specifying Sampling Options in Filter Entries

Packets are matched against filter entries to determine acceptability. With cflowd, only the first packet of a flow is compared. If the first packet matches the filter criteria, then an entry is added to the cflowd cache. Subsequent packets in the same flow are also sampled based on the cache entry.

Since a filter can be applied to more than one interface (when configured with a **scope template**), the **interface-disable-sample** option is intended to enable or disable traffic sampling on an interface-by-interface basis. The command can be enabled or disabled as needed instead creating numerous filter versions.

To enable for filter traffic sampling, the following requirements must be met::

1. Cflowd must be enabled globally.
2. At least one cflowd collector must be configured and enabled.
3. On the IP interface being used, the **interface>cflowd acl** option must be selected. (See Interface Configuration) For configuration information, refer to the IP Router Configuration Overview section of the 7750 SR OS Router Configuration Guide.
4. On the IP filter being used, the **entry>filter-sample** option must be explicitly enabled for the entries matching the traffic that should be sampled. The default is **no filter-sample**. (See Filter Configuration for more information).
5. The filter must be applied to a service or a network interface. The service or port must be enabled and operational.

Filter Configurations

CLI Syntax: `config>filter>ip-filter>entry#`
`[no] filter-sample`
`[no] interface-disable-sample`

When a filter policy is applied to a service or a network interface, sampling can be configured so that traffic matching the associated IP filter entry is sampled when the IP interface is set to cflowd ACL mode and the **filter-sample** command is enabled. If cflowd is either not enabled (**no filter-sample**) or set to the **cflowd interface** mode, then sampling does not occur.

When the **interface-disable-sample** command is enabled, then traffic matching the associated IP filter entry is not sampled if the IP interface is set to cflowd ACL mode.

Dependencies

In order for cflowd to be operational, the following requirements must be met:

- Cflowd must be enabled on a global level. If cflowd is disabled, any traffic sampling instances are also disabled.
- At least one collector must be configured and enabled in order for traffic sampling to occur on an enabled entity.
- If a specific collector UDP port is not identified then, by default, flows are sent to port 2055.

Cflowd can also be dependent on the following entity configurations:

- [Interface Configurations on page 510](#)
- [Service Interfaces on page 511](#)
- [Filter Configurations on page 512](#)

Depending on the combination of interface and filter entry configurations determine if and when flow sampling occurs. [Table 13](#) displays the expected results when specific features are enabled and disabled.

Table 13: Cflowd Configuration Dependencies

Interface Setting	router>interface cflowd [acl interface] Setting	Command ip-filter entry	Expected Results
IP-filter mode	ACL	filter-sampled	Traffic matching is sampled at specified rate.
IP-filter mode	ACL	no filter-sampled	No traffic is sampled on this interface.
IP-filter mode or cflowd not enabled on interface	ACL	interface- disable-sample	Command is ignored. No sampling occurs.
Interface mode	interface	interface- disable-sample	Traffic matching this IP filter entry is not sampled.
Interface mode	interface	none	All IP traffic ingressing the interface is subject to sampling.
Interface mode	interface	filter sampled	Filter level action is ignored. All traffic ingressing the interface is subject to sampling.

Cflowd Configuration Management Tasks

This section discusses the following cflowd configuration management tasks:

- [Modifying Global Cflowd Components on page 515](#)
- [Modifying Cflowd Collector Parameters on page 516](#)

Modifying Global Cflowd Components

Cflowd parameter modifications apply to all instances where cflowd or traffic sampling is enabled. Changes are applied immediately. Use the following cflowd commands to modify global cflowd parameters:

CLI Syntax:

```
config>cflowd#
  active-timeout minutes
  no active-timeout
  cache-size num-entries
  no cache-size
  inactive-timeout seconds
  no inactive-timeout
  overflow percent
  no overflow
  rate sample-rate
  no rate
  [no] shutdown
  template-retransmit seconds
  no template-retransmit
```

The following example displays the cflowd command usage to modify configuration parameters:

Example:

```
config>cflowd# active-timeout 60
config>cflowd# no inactive-timeout
config>cflowd# overflow 2
config>cflowd# rate 10
```

The following example displays the common cflowd component configuration:

```
A:ALA-1>config>cflowd# info
#-----
  active-timeout 60
  overflow 2
  rate 10
#-----
A:ALA-1>config>cflowd#
```

Modifying Cflowd Collector Parameters

Use the following commands to modify cflowd collector and aggregation parameters:

```

CLI Syntax: config>cflowd#
                collector ip-address[:port] [version version]
                no collector ip-address[:port]
                [no] aggregation
                [no] as-matrix
                [no] destination-prefix
                [no] protocol-port
                [no] raw
                [no] source-destination-prefix
                [no] source-prefix
                [no] autonomous-system-type [origin | peer]
                [no] description description-string
                [no] shutdown
                template-set {basic | mpls-ip}

```

If a specific collector UDP port is not identified then, by default, flows are sent to port 2055.

The following displays basic cflowd modifications:

```

A:ALA-1>config>cflowd# info
-----
    active-timeout 60
    overflow 2
    rate 10
    collector 10.10.10.1:2000 version 5
    description "AS info collector"
    exit
    collector 10.10.10.2:5000 version 8
    aggregation
    source-prefix
    raw
    exit
    description "Test collector"
    exit
-----
A:ALA-1>config>cflowd#

```

Cflowd Command Reference

Command Hierarchies

Configuration Commands

```

config
  — [no] cflowd
    — active-timeout minutes
    — no active-timeout
    — cache-size num-entries
    — no cache-size
    — collector ip-address[:port] [version {[5 | 8 | 9 |10]}]
    — no collector ip-address[:port]
      — [no] aggregation
        — [no] as-matrix
        — [no] destination-prefix
        — [no] protocol-port
        — [no] raw
        — [no] source-destination-prefix
        — [no] source-prefix
      — autonomous-system-type {origin | peer}
      — no autonomous-system-type
      — description description-string
      — no description
      — [no] shutdown
      — template-set {basic | mpls-ip}
    — inactive-timeout seconds
    — no inactive-timeout
    — overflow percent
    — no overflow
    — rate sample-rate
    — no rate
    — [no] shutdown
    — template-retransmit seconds
    — no template-retransmit

```

Show Commands

```

show
  — cflowd
    — collector [ip-address[:port]] [detail]
    — interface [ip-int-name | ip-address]
    — status

```

Clear Commands

```

clear
  — cflowd

```

Cflowd Configuration Commands

Global Commands

cflowd

Syntax	[no] cflowd
Context	config>cflowd
Description	This command creates the context to configure cflowd. The no form of this command removes all configuration under cflowd including the deletion of all configured collectors. This can only be executed if cflowd is in a shutdown state.
Default	no cflowd

active-timeout

Syntax	active-timeout <i>minutes</i> no active-timeout
Context	config>cflowd
Description	This command configures the maximum amount of time before an active flow is aged out of the active cache. If an individual flow is active for this amount of time, the flow is aged out and a new flow will be created on the next packet sampled for that flow. Note: Existing flows do not inherit the new active-timeout value if this parameter is changed while cflowd is active. The active-timeout value for a flow is set when the flow is first created in the active cache table and does not change dynamically. The no form of this command resets the inactive timeout back to the default value.
Default	30
Parameters	<i>minutes</i> — The value expressed in minutes before an active flow is exported. Values 1 — 600

cache-size

Syntax	cache-size <i>num-entries</i> no cache-size
Context	config>cflowd
Description	This command specifies the maximum number of active flows to maintain in the flow cache table. The no form of this command resets the number of active entries back to the default value.
Default	65536 (64K)
Parameters	<i>num-entries</i> — The number of entries maintained in the cflowd cache. Values 1000 — 250000 (SF/CPM3 and 7750 SR-c12/4) 1000 - 128k (all other platforms)

collector

Syntax	collector <i>ip-address[:port]</i> { version [5 8 9 10]} no collector
Context	config>cflowd
Description	This command defines a flow data collector for cflowd data. The IP address of the flow collector must be specified. The UDP port number is an optional parameter. If it is not set, the default of 2055 is used for all collector versions. To connect to a IPFIX (version 10) collector using the IPFIX default port, specify port 4739 when configuring the collector. The version must be specified. A maximum of 5 collectors can be configured. The no form of this command removes the flow collector definition from the config and stops the export of data to the collector. The collector needs to be shutdown to be deleted.
Default	none
Parameters	<i>ip-addr</i> — The IP address of the flow data collector in dotted decimal notation. <i>:port</i> — The UDP port of flow data collector. Values 1— 65535 Default 2055 <i>version</i> — The version of the flow data collector. Values 5, 8, 9, 10 Default 5

aggregation

Syntax	[no] aggregation
Context	config>cflowd>collector
Description	<p>This command configures the type of aggregation scheme to be exported.</p> <p>Specifies the type of data to be aggregated and to the collector.</p> <p>To configure aggregation, you must decide which type of aggregation scheme to configure: autonomous system, destination prefix, protocol port, raw, source destination, or source prefix.</p> <p>This can only be configured if the collector version is configured as V8.</p> <p>The no form of this command removes all aggregation types from the collector configuration.</p>
Default	no aggregation

as-matrix

Syntax	[no] as-matrix
Context	config>cflowd>collector>aggregation
Description	<p>This command specifies that the aggregation data should be based on autonomous system (AS) information. An AS matrix contains packet and byte counters for traffic from either source-destination autonomous systems or last-peer to next-peer autonomous systems.</p> <p>The no form of this command removes this type of aggregation from the collector configuration.</p>
Default	no as-matrix

destination-prefix

Syntax	[no] destination-prefix
Context	config>cflowd>collector>aggregation
Description	<p>This command specifies that the aggregation data is based on destination prefix information.</p> <p>The no form removes this type of aggregation from the collector configuration.</p>
Default	none

protocol-port

Syntax	[no] protocol-port
Context	config>cflowd>collector>aggregation
Description	<p>This command specifies that flows be aggregated based on the IP protocol, source port number, and destination port number.</p>

Cflowd Configuration Commands

The **no** form of this command removes this type of aggregation from the collector configuration.

Default none

raw

Syntax **[no] raw**

Context config>cflowd>collector>aggregation

Description This command configures raw (unaggregated) flow data to be sent in Version 5.
The **no** form of this command removes this type of aggregation from the collector configuration.

Default none

source-destination-prefix

Syntax **[no] source-destination-prefix**

Context config>cflowd>collector>aggregation

Description This command configures cflowd aggregation based on source and destination prefixes.
The **no** form of this command removes this type of aggregation from the collector configuration.

Default none

source-prefix

Syntax **[no] source-prefix**

Context config>cflowd>collector>aggregation

Description This command configures cflowd aggregation based on source prefix information.
The **no** form of this command removes this type of aggregation from the collector configuration.

Default none

autonomous-system-type

Syntax	autonomous-system-type { origin peer } no autonomous-system-type
Context	config>cflowd>collector
Description	This command defines whether the autonomous system (AS) information included in the flow data is based on the originating AS or external peer AS of the routes. This option is only allowed if the collector is configured as Version 5 or Version 8. The no form of this command resets the AS type to the default value.
Default	autonomous-system-type origin
Parameters	origin — Specifies that the AS information included in the flow data is based on the originating AS. peer — Specifies that the AS information included in the flow data is based on the peer AS.

description

Syntax	description <i>description-string</i> no description
Context	config>cflowd>collector
Description	This command creates a text description stored in the configuration file for a configuration context. The no form of this command removes the description string from the context.
Default	No description is associated with the configuration context.
Parameters	<i>description-string</i> — The description character string. Allowed values are any string up to 80 characters long composed of printable, 7-bit ASCII characters. If the string contains special characters (#, \$, spaces, etc.), the entire string must be enclosed within double quotes.

shutdown

Syntax	[no] shutdown
Context	config>cflowd config>cflowd>collector
Description	This command administratively disables an entity. When disabled, an entity does not change, reset, or remove any configuration settings or statistics. The operational state of the entity is disabled as well as the operational state of any entities contained within. Many objects must be shut down before they may be deleted. The no form of this command administratively enables an entity.

Unlike other commands and parameters where the default state is not indicated in the configuration file. The **shutdown** and **no shutdown** states are always indicated in system generated configuration files.

template-set

Syntax	template-set { basic mpls-ip }
Context	config>cflowd>collector
Description	This command specifies the set of templates sent to the collector when using cflowd Version 9 or Version 10.
Default	basic
Parameters	basic — Basic flow data is sent. mpls-ip — Extended flow data is sent that includes IP and MPLS information.

inactive-timeout

Syntax	inactive-timeout <i>seconds</i> no inactive-timeout
Context	config>cflowd
Description	This command specifies the amount of time, in seconds, that must elapse without a packet matching a flow in order for the flow to be considered inactive. The no form of this command resets the inactive timeout back to the default of 15 seconds. Note: Existing flows will not inherit the new inactive-timeout value if this parameter is changed while cflowd is active. The inactive-timeout value for a flow is set when the flow is first created in the active cache table and does not change dynamically.
Default	15
Parameters	<i>seconds</i> — Specifies the amount of time, in seconds, that must elapse without a packet matching a flow in order for the flow to be considered inactive. Values 10 — 600

overflow

Syntax	overflow <i>percent</i> no overflow
Context	config>cflowd
Description	This command specifies the percentage of the flow cache entries removed when the maximum number of entries is exceeded. The entries removed are the entries that have not been updated for the longest amount of time. The no form of this command resets the number of entries cleared from the flow cache on overflow to the default value.
Default	1 %
Parameters	<i>percent</i> — Specifies the percentage of the flow cache entries removed when the maximum number of entries is exceeded. Values 1 — 50 percent

rate

Syntax	rate <i>sample-rate</i> no rate
Context	config>cflowd
Description	This command specifies the rate (N) at which traffic is sampled and sent for flow analysis. A packet is sampled every N packets; for example, when <i>sample-rate</i> is configured as 1, then all packets are sent to the cache. When <i>sample-rate</i> is configured as 100, then every 100th packet is sent to the cache. The no form of this command resets the sample rate to the default value.
Default	1000
Parameters	<i>sample-rate</i> — Specifies the rate at which traffic is sampled. Values 1 — 10000

template-retransmit

Syntax	template-retransmit <i>seconds</i> no template-retransmit
Context	config>cflowd
Description	This command specifies the interval for sending template definitions.
Default	600
Parameters	<i>seconds</i> — The value expressed in seconds before sending template definitions. Values 10 — 600

Show Commands

collector

Syntax	collector [<i>ip-addr[:port]</i>] [detail]
Context	show>cflowd
Description	This command displays administrative and operational status of data collector configuration.
Parameters	<p><i>ip-addr</i> — Display only information about the specified collector IP address.</p> <p>Default all collectors</p> <p><i>:port</i> — Display only information the collector on the specified UDP port.</p> <p>Default all UDP ports</p> <p>Values 1 — 65535</p> <p>detail — Displays details about either all collectors or the specified collector.</p>
Output	cflowd Collector Output — The following table describes the show cflowd collector output fields:

Table 14: Show Cflowd Collector Output Fields

Label	Description
Host Address	The IP address of a remote Cflowd collector host to receive the exported Cflowd data.
Port	The UDP port number on the remote Cflowd collector host to receive the exported Cflowd data.
AS Type	The style of AS reporting used in the exported flow data. <i>origin</i> — Reflects the endpoints of the AS path which the flow is following. <i>peer</i> — Reflects the AS of the previous and next hops for the flow.
Version	Specifies the configured version for the associated collector.
Admin	The desired administrative state for this Cflowd remote collector host.
Oper	The current operational status of this Cflowd remote collector host.
Recs Sent	The number of Cflowd records that have been transmitted to this remote collector host.
Collectors	The total number of collectors using this IP address.

Sample Output

```
A:R51-CfmA# show cflowd collector

=====
Cflowd Collectors
=====
Host Address      Port  Version  AS Type  Admin  Oper      Sent
-----
138.120.135.103  2055  v5       peer    up     up        1380 records
138.120.135.103  9555  v8       origin  up     up         90 records
138.120.135.103  9996  v9       -       up     up         0 packets
138.120.214.224  2055  v5       origin  up     up        1380 records
-----
Collectors : 4
=====
```

Table 15: Show Cflowd Collector Detailed Output Fields

Label	Description
Address	The IP address of a remote Cflowd collector host to receive the exported Cflowd data.
Port	The UDP port number on the remote Cflowd collector host to receive the exported Cflowd data.
Description	A user-provided descriptive string for this Cflowd remote collector host.
Version	The version of the flow data sent to the collector.
AS Type	The style of AS reporting used in the exported flow data. origin – Reflects the endpoints of the AS path which the flow is following. peer – Reflects the AS of the previous and next hops for the flow.
Admin State	The desired administrative state for this Cflowd remote collector host.
Oper State	The current operational status of this Cflowd remote collector host.
Records Sent	The number of Cflowd records that have been transmitted to this remote collector host.
Last Changed	The time when this row entry was last changed.
Last Pkt Sent	The time when the last Cflowd packet was sent to this remote collector host.

Table 15: Show Cflowd Collector Detailed Output Fields (Continued)

Label	Description
Aggregation Type	The bit mask which specifies the aggregation scheme(s) used to aggregate multiple individual flows into an aggregated flow for export to this remote host collector. none – No data will be exported for this remote collector host. raw – Flow data is exported without aggregation in version 5 format. All other aggregation types use version 8 format to export the flow data to this remote host collector.
Collectors	The total number of collectors using this IP address.

```
A:R51-CfmA# show cflowd collector detail
=====
Cflowd Collectors (detail)
=====
Address                : 138.120.135.103
Port                   : 2055
Description             : Test v5 Collector
Version                : 5
AS Type                : peer
Admin State            : up
Oper State             : up
Records Sent           : 1260
Last Changed           : 09/03/2009 17:24:04
Last Pkt Sent          : 09/03/2009 18:07:10
-----
                                     Sent      Open      Errors
-----
                                     42       0        0
=====
Address                : 138.120.135.103
Port                   : 9555
Description             : Test v8 Collector
Version                : 8
AS Type                : origin
Admin State            : up
Oper State             : up
Records Sent           : 82
Last Changed           : 09/03/2009 17:24:04
Last Pkt Sent          : 09/03/2009 18:06:41
-----
Aggregation Type      Status      Sent      Open      Errors
-----
as-matrix              Disabled    0         0         0
protocol-port         Disabled    0         0         0
source-prefix         Enabled     21        0         0
destination-prefix    Enabled     21        0         0
source-destination-prefix Disabled    0         0         0
raw                   Disabled    0         0         0
=====
Address                : 138.120.135.103
Port                   : 9996
```

Show Commands

```

Description          : Test v9 Collector
Version             : 9
Admin State         : up
Oper State          : up
Packets Sent        : 51
Last Changed        : 09/03/2009 17:24:04
Last Pkt Sent       : 09/03/2009 18:07:10
Template Set        : Basic
-----
Traffic Type        Template Sent          Sent          Open          Errors
-----
IPv4                 09/03/2009 18:07:29      51            1            0
MPLS                 No template sent         0             0            0
IPv6                 No template sent         0             0            0
=====
A:R51-CfmA#

```

interface

Syntax `interface [ip-addr | ip-int-name]`

Context show>cflowd

Description Displays the administrative and operational status of the interfaces with cflowd enabled.

Parameters *ip-addr* — Display only information for the IP interface with the specified IP address.

Default all interfaces with cflowd enabled.

ip-int-name — Display only information for the IP interface with the specified name.

Default all interfaces with cflowd enabled.

Output **cflowd Interface Output** — The following table describes the show cflowd interface output fields.

Label	Description
Interface	Displays the physical port identifier.
IP Address	Displays the IP address.
Mode	Displays the mode.
Admin	Displays the administrative state of the interface.
Oper	Displays the operational state of the interface.

Sample Output

```

B:sr-002# show cflowd interface
=====
Cflowd Interfaces
=====
Interface          IP Address          Mode          Admin  Oper

```

```

-----
To_Sr1          1.10.1.2/24      Interface  Up      Up
To_C2           1.12.1.2/24      Interface  Up      Up
To_Cisco_7600  1.13.1.2/24      Interface  Up      Up
To_E            1.11.1.2/24      Interface  Up      Up
To_G2           150.153.1.1/24   Interface  Up      Up
To_Sr1_Sonet   150.140.1.2/24   Interface  Up      Down
Main           120.1.1.1/24     Filter     Down    Down
New            120.2.1.1/24     Filter     Up      Up
-----
Interfaces : 8
=====
B:sr12-002#

```

status

Syntax	status
Context	show>cflowd
Description	This command displays basic information regarding the administrative and operational status of cflowd.
Output	cflowd Status Output — The following table describes the show cflowd status output fields:

Table 16: Show Cflowd Status Output Fields

Label	Description
Cflowd Admin Status	The desired administrative state for this Cflowd remote collector host.
Cflowd Oper Status	The current operational status of this Cflowd remote collector host.
Active Timeout	The maximum amount of time, in minutes, before an active flow will be exported. If an individual flow is active for this amount of time, the flow is exported and a new flow is created.
Inactive Timeout	Inactive timeout in seconds.
Template Retransmit	The time in seconds before template definitions are sent.
Cache Size	The maximum number of active flows to be maintained in the flow cache table.
Overflow	The percentage number of flows to be flushed when the flow cache size has been exceeded.
Sample Rate	The rate at which traffic is sampled and forwarded for Cflowd analysis. one (1) — All packets are analyzed. 1000 (default) — Every 1000th packet is analyzed.
Active Flows	The current number of active flows being collected.

Table 16: Show Cflowd Status Output Fields (Continued)

Label	Description
Total Pkts Rcvd	The rate at which traffic is sampled and forwarded for Cflowd analysis.
Total Pkts Dropped	The total number of packets dropped.
Aggregation Info:	
Type	The type of data to be aggregated and to the collector.
Status	enabled – Specifies that the aggregation type is enabled. disabled – Specifies that the aggregation type is disabled.

Sample Output

```

=====
Cflowd Status
=====
Cflowd Admin Status : Enabled
Cflowd Oper Status  : Enabled
Active Timeout      : 1 minutes
Inactive Timeout    : 30 seconds
Template Retransmit : 60 seconds
Cache Size          : 65536 entries
Overflow            : 1%
Sample Rate         : 1
Active Flows        : 34
Total Pkts Rcvd    : 801600
Total Pkts Dropped : 0

=====
Version Info
=====
Version          Status      Sent      Open      Errors
-----
      5             Enabled    92        0         0
      8             Enabled    46        0         0
      9             Enabled    56        1         0
     10            Enabled    39        1         0
=====
    
```

Clear Commands

cflowd

Syntax	<code>cflowd</code>
Context	clear
Description	Clears the raw and aggregation flow caches which are sending flow data to the configured collectors. This action will trigger all the flows to be discarded. The cache restarts flow data collection from a fresh state. This command also clears global stats collector stats listed in the cflowd show commands.

Clear Commands

Common CLI Command Descriptions

In This Chapter

This section provides information about common Command Line Interface (CLI) syntax and command usage.

Topics in this chapter include:

- [SAP syntax on page 536](#)

Common Service Commands

sap

Syntax [no] sap *sap-id*

Description This command specifies the physical port identifier portion of the SAP definition.

Parameters *sap-id* — Specifies the physical port identifier portion of the SAP definition.

The *sap-id* can be configured in one of the following formats:

Type	Syntax	Example
port-id	<i>slot/mda/port[.channel]</i>	1/1/5
null	<i>[port-id bundle-id bpgrp-id lag-id aps-id]</i>	<i>port-id:</i> 1/1/3 <i>bundle-id:</i> bundle-ppp-1/1.1 <i>bpgrp-id:</i> bpgrp-ima-1 <i>lag-id:</i> lag-63 <i>aps-id:</i> aps-1
dot1q	<i>[port-id bundle-id bpgrp-id lag-id aps-id]:qtag1</i>	<i>port-id:qtag1:</i> 1/1/3:100 <i>bundle-id:</i> bundle-ppp-1/1.1 <i>bpgrp-id:</i> bpgrp-ima-1 <i>lag-id:qtag1:</i> lag-61:102 <i>aps-id:qtag1:</i> aps-1:27
qinq	<i>[port-id bundle-id bpgrp-id lag-id]:qtag1.qtag2</i>	<i>port-id:qtag1.qtag2:</i> 1/1/3:100.10 <i>bundle-id:</i> bundle-ppp-1/1.1 <i>bpgrp-id:</i> bpgrp-ima-1 <i>lag-id:qtag1.qtag2:</i> lag-10:
atm	<i>[port-id aps-id bundle-id bpgrp-id][:vpi/vci vpi vpi1.vpi2]</i>	<i>port-id:</i> 1/1/1 <i>aps-id:</i> aps-1 <i>bundle-id:</i> bundle-ima-1/1.1 bundle-ppp-1/1.1 <i>bpgrp-id:</i> bpgrp-ima-1 <i>vpi/vci:</i> 16/26 <i>vpi:</i> 16 <i>vpi1.vpi2:</i> 16.200
frame-relay	<i>[port-id aps-id]:dlci</i>	<i>port-id:</i> 1/1/1:100 <i>aps-id:</i> aps-1 <i>dlci:</i> 16
cisco-hdlc	<i>slot/mda/port.channel</i>	<i>port-id:</i> 1/1/3.1

Values: <i>sap-id</i>	null [port-id bundle-id bpgrp-id / lag-id aps-id] dot1q [port-id bundle-id bpgrp-id / lag-id aps-id]:qtag1 qinq [port-id bundle-id bpgrp-id / lag-id]:qtag1.qtag2 atm [port-id aps-id][:vpi/vci vpi vpi1.vpi2] frame [port-id aps-id]:dlci cisco-hdlc slot/mda/port.channel cem slot/mda/port.channel ima-grp [bundle-id[:vpi/vci vpi vpi1.vpi2] port-id slot/mda/port[.channel] bundle-id bundle-type-slot/mda.bundle-num bundle keyword type ima, fr, ppp bundle-num 1 — 336 bpgrp-id bpgrp-type-bpgrp-num bpgrp keyword type ima, fr, ppp bpgrp-num 1 — 2000 aps-id aps-group-id[.channel] aps keyword group-id 1 — 64 ccag-id ccag-id.path-id[cc-type]:cc-id ccag keyword id 1 — 8 path-id a, b cc-type .sap-net, .net-sap cc-id 0 — 4094 lag-id lag-id lag keyword id 1 — 200 qtag1 0 — 4094 qtag2 *, 0 — 4094 vpi NNI: 0 — 4095 UNI: 0 — 255 vci 1, 2, 5 — 65535 dlci 16 — 1022 ipsec-id ipsec-id.[private public]:tag ipsec keyword id 1 — 4 tag 0 — 4094
------------------------------	---

bundle-id — Specifies the multilink bundle to be associated with this IP interface. The **bundle** keyword must be entered at the beginning of the parameter.

The command syntax must be configured as follows:

bundle-id: **bundle-type-slot-id/mda-slot.bundle-num**

bundle-id value range: 1 — 336

For example:

Common CLI Command Descriptions

```
*A:ALA-12>config# port bundle-ppp-5/1.1
*A:ALA-12>config>port# multilink-bundle
```

bggrp-id — Specifies the bundle protection group ID to be associated with this IP interface. The **bggrp** keyword must be entered at the beginning of the parameter.

The command syntax must be configured as follows:

```
bggrp-id:          bggrp-type-bggrp-num
type:              ima
bggrp-num value range: 1 — 2000
```

For example:

```
*A:ALA-12>config# port bggrp-ima-1
*A:ALA-12>config>service>vpls$ sap bggrp-ima-1
```

qtag1, qtag2 — Specifies the encapsulation value used to identify the SAP on the port or sub-port. If this parameter is not specifically defined, the default value is 0.

```
Values   qtag1:          * | 0 — 4094
            qtag2 :          * | 0 — 4094
```

The values depends on the encapsulation type configured for the interface. The following table describes the allowed values for the port and encapsulation types.

Port Type	Encap-Type	Allowed Values	Comments
Ethernet	Null	0	The SAP is identified by the port.
Ethernet	Dot1q	0 — 4094	The SAP is identified by the 802.1Q tag on the port. Note that a 0 qtag1 value also accepts untagged packets on the dot1q port.
Ethernet	QinQ	qtag1: 0 — 4094 qtag2: 0 — 4094	The SAP is identified by two 802.1Q tags on the port. Note that a 0 qtag1 value also accepts untagged packets on the Dot1q port.
SONET/SDH	IPCP	-	The SAP is identified by the channel. No BCP is deployed and all traffic is IP.
SONET/SDH TDM	BCP-Null	0	The SAP is identified with a single service on the channel. Tags are assumed to be part of the customer packet and not a service delimiter.
SONET/SDH TDM	BCP-Dot1q	0 — 4094	The SAP is identified by the 802.1Q tag on the channel.
SONET/SDH TDM	Frame Relay	16 — 991	The SAP is identified by the data link connection identifier (DLCI).
SONET/SDH ATM	ATM	vpi (NNI) 0 — 4095 vpi (UNI) 0 — 255 vci 1, 2, 5 — 65535	The SAP is identified by port or by PVPC or PVCC identifier (vpi, vpi/vci, or vpi range)

sap ipsec-*id*.private|public:*tag* — This parameter associates an IPsec group SAP with this interface. This is the public side for an IPsec tunnel. Tunnels referencing this IPsec group in the private side may be created if their local IP is in the subnet of the interface subnet and the routing context specified matches with the one of the interface.

This context will provide a SAP to the tunnel. The operator may associate an ingress and egress QoS policies as well as filters and virtual scheduling contexts. Internally this creates an Ethernet SAP that will be used to send and receive encrypted traffic to and from the MDA. Multiple tunnels can be associated with this SAP. The “tag” will be a dot1q value. The operator may see it as an identifier. The range is limited to 1 — 4095.

Standards and Protocol Support

Standards Compliance

IEEE 802.1ab-REV/D3 Station and Media Access Control Connectivity Discovery
IEEE 802.1d Bridging
IEEE 802.1p/Q VLAN Tagging
IEEE 802.1s Multiple Spanning Tree
IEEE 802.1w Rapid Spanning Tree Protocol
IEEE 802.1x Port Based Network Access Control
IEEE 802.1ad Provider Bridges
IEEE 802.1ah Provider Backbone Bridges
IEEE 802.1ag Service Layer OAM
IEEE 802.3ah Ethernet in the First Mile
IEEE 802.1ak Multiple MAC Registration Protocol
IEEE 802.3 10BaseT
IEEE 802.3ad Link Aggregation
IEEE 802.3ae 10Gbps Ethernet
IEEE 802.3ah Ethernet OAM
IEEE 802.3u 100BaseTX
IEEE 802.3x Flow Control
IEEE 802.3z 1000BaseSX/LX
ITU-T Y.1731 OAM functions and mechanisms for Ethernet based networks
ITU-T G.8031 Ethernet linear protection switching
ITU-T G.8032 Ethernet Ring Protection Switching (version 2)

Protocol Support

OSPF

RFC 1765 OSPF Database Overflow
RFC 2328 OSPF Version 2
RFC 2370 Opaque LSA Support
RFC 2740 OSPF for IPv6 (OSPFv3)
draft-ietf-ospf-ospfv3-update-14.txt
RFC 3101 OSPF NSSA Option
RFC 3137 OSPF Stub Router Advertisement

RFC 3623 Graceful OSPF Restart – GR helper
RFC 3630 Traffic Engineering (TE) Extensions to OSPF Version 2
RFC 4203 - Shared Risk Link Group (SRLG) sub-TLV
RFC 5185 OSPF Multi-Area Adjacency
RFC 3623 Graceful OSPF Restart — GR helper
RFC 3630 Traffic Engineering (TE) Extensions to OSPF Version 2
RFC 4203 for Shared Risk Link Group (SRLG) sub-TLV

BGP

RFC 1397 BGP Default Route Advertisement
RFC 1772 Application of BGP in the Internet
RFC 1965 Confederations for BGP
RFC 1997 BGP Communities Attribute
RFC 2385 Protection of BGP Sessions via MD5
RFC 2439 BGP Route Flap Dampening
RFC 2547bis BGP/MPLS VPNs
RFC 2918 Route Refresh Capability for BGP-4
RFC 3107 Carrying Label Information in BGP-4
RFC 3392 Capabilities Advertisement with BGP4
RFC 4271 BGP-4 (previously RFC 1771)
RFC 4360 BGP Extended Communities Attribute
RFC 4364 BGP/MPLS IP Virtual Private Networks (VPNs)(previously RFC 2547bis BGP/MPLS VPNs)
RFC 4456 BGP Route Reflection: Alternative to Full-mesh IBGP (previously RFC 1966 & 2796)
RFC 4724 Graceful Restart Mechanism for BGP – GR helper
RFC 4760 Multi-protocol Extensions for BGP
RFC 4893 BGP Support for Four-octet AS Number Space

RFC 5065 Confederations for BGP (obsoletes 3065)

IS-IS

RFC 1142 OSI IS-IS Intra-domain Routing Protocol (ISO 10589)
RFC 1195 Use of OSI IS-IS for routing in TCP/IP & dual environments
RFC 2763 Dynamic Hostname Exchange for IS-IS
RFC 2966 Domain-wide Prefix Distribution with Two-Level IS-IS
RFC 2973 IS-IS Mesh Groups
RFC 3373 Three-Way Handshake for Intermediate System to Intermediate System (IS-IS) Point-to-Point Adjacencies
RFC 3567 Intermediate System to Intermediate System (ISIS) Cryptographic Authentication
RFC 3719 Recommendations for Interoperable Networks using IS-IS
RFC 3784 Intermediate System to Intermediate System (IS-IS) Extensions for Traffic Engineering (TE)
RFC 3787 Recommendations for Interoperable IP Networks
RFC 3847 Restart Signaling for IS-IS – GR helper
RFC 4205 for Shared Risk Link Group (SRLG) TLV
draft-ietf-isis-igp-p2p-over-lan-05.txt

IPSec

RFC 2401 Security Architecture for the Internet Protocol
RFC 2409 The Internet Key Exchange (IKE)
RFC 3706 IKE Dead Peer Detection
RFC 3947 Negotiation of NAT-Traversal in the IKE
RFC 3948 UDP Encapsulation of IPsec ESP Packets
draft-ietf-ipsec-isakmp-xauth-06.txt – Extended Authentication within ISAKMP/Oakley (XAUTH)

Standards and Protocols

draft-ietf-ipsec-isakmp-modecfg-05.txt –
The ISAKMP Configuration
Method

IPv6

RFC 1981 Path MTU Discovery for IPv6
RFC 2375 IPv6 Multicast Address
Assignments
RFC 2460 Internet Protocol, Version 6
(IPv6) Specification
RFC 2461 Neighbor Discovery for IPv6
RFC 2462 IPv6 Stateless Address Auto
configuration
RFC 2463 Internet Control Message
Protocol (ICMPv6) for the Internet
Protocol Version 6 Specification
RFC 2464 Transmission of IPv6 Packets
over Ethernet Networks
RFC 2529 Transmission of IPv6 over
IPv4 Domains without Explicit
Tunnels
RFC 2545 Use of BGP-4 Multiprotocol
Extension for IPv6 Inter-Domain
Routing
RFC 2710 Multicast Listener Discovery
(MLD) for IPv6 RFC 2740 OSPF for
IPv6
RFC 3306 Unicast-Prefix-based IPv6
Multicast Addresses
RFC 3315 Dynamic Host Configuration
Protocol for IPv6
RFC 3587 IPv6 Global Unicast Address
Format
RFC3590 Source Address Selection for
the Multicast Listener Discovery
(MLD) Protocol
RFC 3810 Multicast Listener Discovery
Version 2 (MLDv2) for IPv6
RFC 4007 IPv6 Scoped Address
Architecture
RFC 4193 Unique Local IPv6 Unicast
Addresses
RFC 4291 IPv6 Addressing Architecture
RFC 4552 Authentication/Confidentiality
for OSPFv3
RFC 4659 BGP-MPLS IP Virtual Private
Network (VPN) Extension for IPv6
VPN
RFC 5072 IP Version 6 over PPP
RFC 5095 Deprecation of Type 0 Routing
Headers in IPv6
draft-ietf-isis-ipv6-05
draft-ietf-isis-wg-multi-topology-xx.txt

Multicast

RFC 1112 Host Extensions for IP
Multicasting (Snooping)
RFC 2236 Internet Group Management
Protocol, (Snooping)
RFC 3376 Internet Group Management
Protocol, Version 3 (Snooping)
RFC 2362 Protocol Independent
Multicast-Sparse Mode (PIMSM)
RFC 3618 Multicast Source Discovery
Protocol (MSDP)
RFC 3446 Anycast Rendezvous Point
(RP) mechanism using Protocol
Independent Multicast (PIM) and
Multicast Source Discovery
Protocol (MSDP)
RFC 4601 Protocol Independent
Multicast - Sparse Mode (PIM-SM):
Protocol Specification (Revised)
RFC 4604 Using IGMPv3 and MLDv2
for Source-Specific Multicast
RFC 4607 Source-Specific Multicast for
IP
RFC 4608 Source-Specific Protocol
Independent Multicast in 232/8
RFC 4610 Anycast-RP Using Protocol
Independent Multicast (PIM)
draft-ietf-pim-sm-bsr-06.txt
draft-rosen-vpn-mcast-15.txt Multicast in
MPLS/BGP IP VPNs
draft-ietf-mboned-msdp-mib-01.txt
draft-ietf-l3vpn-2547bis-mcast-07:
Multicast in MPLS/BGP IP VPNs
draft-ietf-l3vpn-2547bis-mcast-bgp-05:
BGP Encodings and Procedures for
Multicast in MPLS/BGP IP VPNs
RFC 3956: Embedding the Rendezvous
Point (RP) Address in an IPv6
Multicast Address

MPLS — General

RFC 2430 A Provider Architecture
DiffServ & TE
RFC 2474 Definition of the DS Field the
IPv4 and IPv6 Headers (Rev)
RFC 2597 Assured Forwarding PHB
Group (rev3260)
RFC 2598 An Expedited Forwarding
PHB
RFC 3031 MPLS Architecture
RFC 3032 MPLS Label Stack Encoding

RFC 3443 Time To Live (TTL)
Processing in Multi-Protocol Label
Switching (MPLS) Networks
RFC 4182 Removing a Restriction on the
use of MPLS Explicit NULL
RFC 3140 Per-Hop Behavior
Identification Codes
RFC 5332 MPLS Multicast
Encapsulations

MPLS — LDP

RFC 3037 LDP Applicability
RFC 3478 Graceful Restart Mechanism
for LDP – GR helper
RFC 5036 LDP Specification
RFC 5283 LDP extension for Inter-Area
LSP
RFC 5443 LDP IGP Synchronization
draft-ietf-mpls-ldp-p2mp-05 LDP
Extensions for Point-to-Multipoint
and Multipoint-to-Multipoint LSP

MPLS/RSVP-TE

RFC 2702 Requirements for Traffic
Engineering over MPLS
RFC2747 RSVP Cryptographic
Authentication
RFC3097 RSVP Cryptographic
Authentication
RFC 3209 Extensions to RSVP for
Tunnels
RFC 3564 Requirements for Diff-Serv-
aware TE
RFC 3906 Calculating Interior
Gateway Protocol (IGP) Routes
Over Traffic Engineering Tunnels
RFC 4090 Fast reroute Extensions to
RSVP-TE for LSP Tunnels
RFC 4124 Protocol Extensions for
Support of Diffserv-aware MPLS
Traffic Engineering
RFC 4125 Maximum Allocation
Bandwidth Constraints Model for
Diffserv-aware MPLS Traffic
Engineering
RFC 4127 Russian Dolls Bandwidth
Constraints Model for Diffserv-
aware MPLS Traffic Engineering
RFC 4561 Definition of a RRO Node-Id
Sub-Object
RFC 4875 Extensions to Resource
Reservation Protocol - Traffic
Engineering (RSVP-TE) for Point-

to-Multipoint TE Label Switched Paths (LSPs)
 RFC 5151 Inter-domain MPLS and GMPLS Traffic Engineering – RSVP-TE Extensions
 RFC 5712 MPLS Traffic Engineering Soft Preemption
 draft-newton-mpls-te-dynamic-overbooking-00 A Diffserv-TE Implementation Model to dynamically change booking factors during failure events
 RFC 5817 Graceful Shutdown in GMPLS Traffic Engineering Networks

MPLS — OAM

RFC 4379 Detecting Multi-Protocol Label Switched (MPLS) Data Plane Failures
 draft-ietf-mpls-p2mp-lsp-ping-06 Detecting Data Plane Failures in Point-to-Multipoint Multiprotocol Label Switching (MPLS) - Extensions to LSP Ping

RIP

RFC 1058 RIP Version 1
 RFC 2082 RIP-2 MD5 Authentication
 RFC 2453 RIP Version 2

TCP/IP

RFC 768 UDP
 RFC 1350 The TFTP Protocol (Rev.
 RFC 791 IP
 RFC 792 ICMP
 RFC 793 TCP
 RFC 826 ARP
 RFC 854 Telnet
 RFC 951 BootP (rev)
 RFC 1519 CIDR
 RFC 1542 Clarifications and Extensions for the Bootstrap Protocol
 RFC 1812 Requirements for IPv4 Routers
 RFC 2347 TFTP option Extension
 RFC 2328 TFTP Blocksize Option
 RFC 2349 TFTP Timeout Interval and Transfer Size option
 RFC 2401 Security Architecture for Internet Protocol

draft-ietf-bfd-mib-00.txt Bidirectional Forwarding Detection Management Information Base
 RFC 5880 Bidirectional Forwarding Detection
 RFC 5881 BFD IPv4 and IPv6 (Single Hop)
 RFC 5883 BFD for Multihop Paths

VRPP

RFC 2787 Definitions of Managed Objects for the Virtual Router Redundancy Protocol
 RFC 3768 Virtual Router Redundancy Protocol
 draft-ietf-rrpp-unified-spec-02: Virtual Router Redundancy Protocol Version 3 for IPv4 and IPv6

PPP

RFC 1332 PPP IPCP
 RFC 1377 PPP OSINLCP
 RFC 1638/2878 PPP BCP
 RFC 1661 PPP (rev RFC2151)
 RFC 1662 PPP in HDLC-like Framing
 RFC 1877 PPP Internet Protocol Control Protocol Extensions for Name Server Addresses
 RFC 1989 PPP Link Quality Monitoring
 RFC 1990 The PPP Multilink Protocol (MP)
 RFC 1994 "PPP Challenge Handshake Authentication Protocol (CHAP)
 RFC 2516 A Method for Transmitting PPP Over Ethernet RFC 2615 PPP over SONET/SDH
 RFC 2686 The Multi-Class Extension to Multi-Link PPP

Frame Relay

FRF.1.2 - PVC User-to-Network Interface (UNI) Implementation Agreement
 FRF.5 - Frame Relay/ATM PVC Network Interworking Implementation
 ANSI T1.617 Annex D, DSS1 — Signalling Specification For Frame Relay Bearer Service.
 FRF2.2 -PVC Network-to- Network Interface (NNI) Implementation Agreement.
 FRF.12 Frame Relay Fragmentation Implementation Agreement

FRF.16.1 Multilink Frame Relay UNI/ NNI Implementation Agreement
 ITU-T Q.933 Annex A- Additional procedures for Permanent Virtual Connection (PVC) status management

ATM

RFC 1626 Default IP MTU for use over ATM AAL5
 RFC 2514 Definitions of Textual Conventions and OBJECT_IDENTITIES for ATM Management
 RFC 2515 Definition of Managed Objects for ATM Management RFC 2684 Multiprotocol Encapsulation over ATM Adaptation Layer 5
 AF-TM-0121.000 Traffic Management Specification Version 4.1
 ITU-T Recommendation I.610 - B-ISDN Operation and Maintenance Principles and Functions version 11/ 95
 ITU-T Recommendation I.432.1 – BISDN user-network interface – Physical layer specification: General characteristics
 GR-1248-CORE - Generic Requirements for Operations of ATM Network Elements (NEs). Issue 3
 GR-1113-CORE - Bellcore, Asynchronous Transfer Mode (ATM) and ATM Adaptation Layer (AAL) Protocols Generic Requirements, Issue 1
 AF-ILMI-0065.000 Integrated Local Management Interface (ILMI) Version 4.0
 AF-TM-0150.00 Addendum to Traffic Management v4.1 optional minimum desired cell rate indication for UBR
 AF-PHY-0086.001, Inverse Multiplexing for ATM (IMA) Specification Version 1.1

DHCP

RFC 2131 Dynamic Host Configuration Protocol (REV)
 RFC 3046 DHCP Relay Agent Information Option (Option 82)
 RFC 1534 Interoperation between DHCP and BOOTP

Standards and Protocols

VPLS

RFC 4762 Virtual Private LAN Services Using LDP
draft-ietf-l2vpn-vpls-mcast-reqts-04
draft-ietf-l2vpn-signaling-08

PSEUDOWIRE

RFC 3985 Pseudo Wire Emulation Edge-to-Edge (PWE3)
RFC 4385 Pseudo Wire Emulation Edge-to-Edge (PWE3) Control Word for Use over an MPLS PSN
RFC 3916 Requirements for Pseudo-Wire Emulation Edge-to-Edge (PWE3)
RFC 4717 Encapsulation Methods for Transport ATM over MPLS Networks (draft-ietf-pwe3-atm-encap-10.txt)
RFC 4816 PWE3 ATM Transparent Cell Transport Service (draft-ietf-pwe3-cell-transport-04.txt)
RFC 4448 Encapsulation Methods for Transport of Ethernet over MPLS Networks (draft-ietf-pwe3-ethernet-encap-11.txt)
RFC 4619 Encapsulation Methods for Transport of Frame Relay over MPLS Networks (draft-ietf-pwe3-frame-relay-07.txt)
RFC 4446 IANA Allocations for PWE3
RFC 4447 Pseudowire Setup and Maintenance Using LDP (draft-ietf-pwe3-control-protocol-17.txt)
RFC 5085, Pseudowire Virtual Circuit Connectivity Verification (VCCV): A Control Channel for Pseudowires
RFC 5659 An Architecture for Multi-Segment Pseudowire Emulation Edge-to-Edge
draft-ietf-l2vpn-vpws-iw-oam-02.txt, OAM Procedures for VPWS Interworking
draft-ietf-pwe3-oam-msg-map-14.txt, Pseudowire (PW) OAM Message Mapping
draft-ietf-l2vpn-arp-mediation-15.txt, ARP Mediation for IP Interworking of Layer 2 VPN
RFC6073, Segmented Pseudowire (draft-ietf-pwe3-segmented-pw-18.txt)
draft-ietf-pwe3-dynamic-ms-pw-13.txt , Dynamic Placement of Multi Segment Pseudo Wires

draft-ietf-pwe3-redundancy-bit-03.txt, Pseudowire Preferential Forwarding Status bit definition
draft-ietf-pwe3-redundancy-03.txt, Pseudowire (PW) Redundancy
draft-ietf-pwe3-fat-pw-05 Flow Aware Transport of Pseudowires over an MPLS PSN
MFA Forum 9.0.0 The Use of Virtual trunks for ATM/MPLS Control Plane Interworking
MFA Forum 12.0.0 Multiservice Interworking - Ethernet over MPLS
MFA forum 13.0.0 - Fault Management for Multiservice Interworking v1.0
MFA Forum 16.0.0 – Multiservice Interworking - IP over MPLS

ANCP/L2CP

RFC5851 ANCP framework
draft-ietf-ancp-protocol-02.txt ANCP Protocol

Voice /Video Performance

ITU-T G.107 The E Model- A computational model for use in planning.
ETSI TS 101 329-5 Annex E extensions- QoS Measurement for VoIP - Method for determining an Equipment Impairment Factor using Passive Monitoring
ITU-T Rec. P.564 - Conformance testing for voice over IP transmission quality assessment models
ITU-T G.1020 - Appendix I- Performance Parameter Definitions for Quality of Speech and other Voiceband Applications Utilizing IP Networks- Mean Absolute Packet Delay Variation.& Markov Models.
RFC 3550 Appendix A.8- RTP: A Transport Protocol for Real-Time Applications- Estimating the Interarrival Jitter

CIRCUIT EMULATION

RFC 4553 Structure-Agnostic Time Division Multiplexing (TDM) over Packet (SAToP)
RFC 5086 Structure-Aware Time Division Multiplexed (TDM) Circuit Emulation Service over Packet Switched Network (CESoPSN)

MEF-8 Implementation Agreement for the Emulation of PDH Circuits over Metro Ethernet Networks, October 2004
RFC 5287 Control Protocol Extensions for the Setup of Time-Division Multiplexing (TDM) Pseudowires in MPLS Networks

SONET/SDH

ITU-G.841 Telecommunication Standardization Section of ITU, Types and Characteristics of SDH Networks Protection Architecture, issued in October 1998 and as augmented by Corrigendum1 issued in July 2002

RADIUS

RFC 2865 Remote Authentication Dial In User Service
RFC 2866 RADIUS Accounting

SSH

draft-ietf-secsh-architecture.txtSSH Protocol Architecture
draft-ietf-secsh-userauth.txt SSH Authentication Protocol
draft-ietf-secsh-transport.txt SSH Transport Layer Protocol
draft-ietf-secsh-connection.txt SSH Connection Protocol
draft-ietf-secsh-newmodes.txt SSH Transport Layer Encryption Modes

TACACS+

draft-grant-tacacs-02.txt

Timing

GR-253-CORE SONET Transport Systems: Common Generic Criteria. Issue 3, September 2000
ITU-T G.781 Telecommunication Standardization Section of ITU, Synchronization layer functions, issued 09/2008
ITU-T G.813 Telecommunication Standardization Section of ITU, Timing characteristics of SDH equipment slave clocks (SEC), issued 03/2003.
GR-1244-CORE Clocks for the Synchronized Network: Common Generic Criteria, Issue 3, May 2005

ITU-T G.8261 Telecommunication Standardization Section of ITU, Timing and synchronization aspects in packet networks, issued 04/2008.

ITU-T G.8262 Telecommunication Standardization Section of ITU, Timing characteristics of synchronous Ethernet equipment slave clock (EEC), issued 08/2007.

ITU-T G.8264 Telecommunication Standardization Section of ITU, Distribution of timing information through packet networks, issued 10/2008.

NETWORK MANAGEMENT

ITU-T X.721: Information technology-OSI-Structure of Management Information

ITU-T X.734: Information technology-OSI-Systems Management: Event Report Management Function

M.3100/3120 Equipment and Connection Models

TMF 509/613 Network Connectivity Model

RFC 1157 SNMPv1

RFC 1215 A Convention for Defining Traps for use with the SNMP

RFC 1657 BGP4-MIB

RFC 1724 RIPv2-MIB

RFC 1850 OSPF-MIB

RFC 1907 SNMPv2-MIB

RFC 2011 IP-MIB

RFC 2012 TCP-MIB

RFC 2013 UDP-MIB

RFC 2138 RADIUS

RFC 2206 RSVP-MIB

RFC 2452 IPv6 Management Information Base for the Transmission Control Protocol

RFC 2454 IPv6 Management Information Base for the User Datagram Protocol

RFC 2465 Management Information Base for IPv6: Textual Conventions and General Group

RFC 2558 SONET-MIB

RFC 2571 SNMP-Framework MIB

RFC 2572 SNMP-MPD-MIB

RFC 2573 SNMP-Target-&-notification-MIB

RFC 2574 SNMP-User-based-SMMIB

RFC 2575 SNMP-View-based ACM-MIB

RFC 2576 SNMP-Community-MIB

RFC 2665 EtherLike-MIB

RFC 2819 RMON-MIB

RFC 2863 IF-MIB

RFC 2864 Inverted-stack-MIB

RFC 2987 VRRP-MIB

RFC 3014 Notification-log MIB

RFC 3019 IP Version 6 Management Information Base for The Multicast Listener Discovery Protocol

RFC 3164 Syslog

RFC 3273 HCRMON-MIB

RFC 3411 An Architecture for Describing Simple Network Management Protocol (SNMP) Management Frameworks

RFC 3412 Message Processing and Dispatching for the Simple Network Management Protocol (SNMP)

RFC 3413 Simple Network Management Protocol (SNMP) Applications

RFC 3414 User-based Security Model (USM) for version 3 of the Simple Network Management Protocol (SNMPv3)

RFC 3418 SNMP MIB

RFC 4292 IP-Forward-MIB

RFC 4293 MIB for the Internet Protocol

RFC 5101 Specification of the IP Flow Information Export (IPFIX) Protocol for the Exchange of IP Traffic Flow Information

draft-ietf-ospf-mib-update-04.txt

draft-ietf-mpls-lsr-mib-06.txt

draft-ietf-mpls-te-mib-04.txt

draft-ietf-mpls-ldp-mib-07.txt

draft-ietf-isis-wg-mib-05.txt

IANA-IFType-MIB

IEEE8023-LAG-MIB

Proprietary MIBs

TIMETRA-APS-MIB.mib

TIMETRA-ATM-MIB.mib

TIMETRA-BGP-MIB.mib

TIMETRA-BSX-NG-MIB.mib

TIMETRA-CAPABILITY-7750-V4v0.mib

TIMETRA-CFLOWD-MIB.mib

TIMETRA-CHASSIS-MIB.mib

TIMETRA-CLEAR-MIB.mib

TIMETRA-FILTER-MIB.mib

TIMETRA-GLOBAL-MIB.mib

TIMETRA-IGMP-MIB.mib

TIMETRA-ISIS-MIB.mib

TIMETRA-LAG-MIB.mib

TIMETRA-LDP-MIB.mib

TIMETRA-LOG-MIB.mib

TIMETRA-MIRROR-MIB.mib

TIMETRA-MPLS-MIB.mib

TIMETRA-NG-BGP-MIB.mib

TIMETRA-OAM-TEST-MIB.mib

TIMETRA-OSPF-NG-MIB.mib

TIMETRA-OSPF-V3-MIB.mib

TIMETRA-PIM-NG-MIB.mib

TIMETRA-PORT-MIB.mib

TIMETRA-PPP-MIB.mib

TIMETRA-QOS-MIB.mib

TIMETRA-RIP-MIB.mib

TIMETRA-ROUTE-POLICY-MIB.mib

TIMETRA-RSVP-MIB.mib

TIMETRA-SECURITY-MIB.mib

TIMETRA-SERV-MIB.mib

TIMETRA-SUBSCRIBER-MGMTMIB.mib

TIMETRA-SYSTEM-MIB.mib

TIMETRA-TC-MIB.mib

TIMETRA-VRRP-MIB.mib

TIMETRA-VRTR-MIB.mib

Index

C

Cflowd

- overview 486
 - collectors 486
 - filter matching 491
 - operation 487
 - V5 and V8 flow processing 488
- configuring
 - basic 499
 - collectors 497, 504
 - enabling 502
 - global parameters 503
 - interfaces and filters 509
 - IP interfaces 510
 - overview 496
 - sampling options 512
 - management tasks 515
 - command reference 517

F

Filters

- overview 338
- applying filter
 - to network ports 358
 - to SAP 358
- entities 340
- entries 339
- filter entry ordering 356
- filter types
 - IP 338, 350
 - IPv6 338
 - MAC 338, 351, 359
- matching criteria
 - DSCP values 353
 - IP 350
 - IP option values 355
 - MAC 351
 - packets 350
- policies 339
- policy entries 339
- port-based filtering 338
- redirect policies 341

- scope 359
- services 340

configuring

- basic 364
- IP filter policy 365, 370
- MAC filter policy 372
- redirect policy 383
- applying
 - to network ports 381
 - management tasks 387

I

IP Router

- overview 20
 - autonomous systems 25
 - confederations 26
 - interfaces 20
 - network 20
 - system 22
 - IP addresses
 - address range 23
 - Router ID 24
- configuring
 - autonomous systems 74
 - basic 47
 - command reference 79
 - confederations 73
 - interfaces 49
 - IP address range 68
 - network interface 46
 - overview 46
 - router ID 72
 - service management tasks 76
 - system interface 46
 - system name 48

V

VRRP

- overview 234
 - components 235
 - IP address owner 235
 - IP addresses 236

Index

- owner and non-owner 237
- virtual router 235
- virtual router backup 237
- virtual router master 236
- VRID 238
- configuring
 - basic 259
 - command reference 274
 - IES parameters 266
 - non-owner 266
 - owner 267
 - management tasks 270
 - overview 258
 - router interface 264, 268
 - non-owner 268
 - owner 269
 - VRRP policy parameters 265