



7710 SR OS Interface Configuration Guide

Software Version: 7710 SR OS 10.0 r1
February 2012
Document Part Number: 93-0081-08-01



This document is protected by copyright. Except as specifically permitted herein, no portion of the provided information can be reproduced in any form, or by any means, without prior written permission from Alcatel-Lucent.
Alcatel, Lucent, Alcatel-Lucent and the Alcatel-Lucent logo are trademarks of Alcatel-Lucent. All other trademarks are the property of their respective owners.
The information presented is subject to change without notice.
Alcatel-Lucent assumes no responsibility for inaccuracies contained herein.

Copyright 2012 Alcatel-Lucent. All rights reserved.

TABLE OF CONTENTS

Preface	11
Getting Started	15
Alcatel-Lucent 7710 SR Router Configuration Process	15
7710 SR Interfaces	
Configuration Overview	19
Chassis Slots and Cards	19
MCMs	20
MDAs	20
CMAs	22
Oversubscribed Ethernet MDAs	23
Rate Limiting	23
Packet Classification and Scheduling	23
Channelized MDA/CMA Support	25
Channelized DS1/E1	25
Channelized OC-3/STM-1 Circuit Emulation Services (CES)CMA and MDA	25
Channelized OC-12/STM-4 ASAP MDA	26
Channelized DS-3/E-3 ASAP MDA (4-Port)	26
Channelized DS-3/E-3 ASAP MDA (12-Port)	27
Digital Diagnostics Monitoring	28
Alcatel-Lucent SFPs and XFPs	34
Statistics Collection	34
Ports	35
Port Types	35
Port Features	37
Port State and Operational State	37
SONET/SDH Port Attributes	39
SONET/ SDH Path Attributes	39
Multilink Frame Relay	41
FRF.12 End-to-End Fragmentation	44
FRF.12 UNI/NNI Link Fragmentation	45
MLFR/FRF.12 Support of APS, BFD, and Mirroring Features	45
Multilink Point-to-Point Protocol (MLPPP)	46
Multi-Class MLPPP	51
Cisco HDLC	58
Automatic Protection Switching (APS)	61
Ethernet Local Management Interface (E-LMI)	88
Link Layer Discovery Protocol (LLDP)	89
LLDP Protocol Features	92
LAG	94
LAG Features	94
Configuring LAGs	96
LAG and ECMP Hashing	97
LAG on Access	99

Table of Contents

LSR Hashing	100
Port Link Damping	102
LACP	102
Multi-Chassis LAG	104
Overview	105
MC-LAG and Subscriber Routed Redundancy Protocol (SRRP)	109
Point-to-Point (p2p) Redundant Connection Across Layer 2/3 VPN Network	110
DSLAM Dual Homing in Layer 2/3 TPSDA Model	112
802.3ah OAM	119
OAM Events	120
Remote Loopback	121
802.3ah OAM PDU Tunneling for Epipe Service	121
MTU Configuration Guidelines	122
Deploying Preprovisioned Components	125
Configuration Process Overview	126
Configuration Notes	127
Configuring Physical Ports with CLI	129
Preprovisioning Guidelines	130
Predefining Entities	130
Preprovisioning a Port	131
Maximizing Bandwidth Use	132
Basic Configuration	133
Common Configuration Tasks	134
Configuring Cards, MDA Carrier Modules (MCMs) and Media Dependent Adapters (MDAs)	135
Configuring Cards and Compact Media Adapters (CMAs)	136
Configuring MDA/CMA Access and Network Pool Parameters	137
Configuring Ports	138
Configuring APS Parameters	139
Configuring Ethernet Port Parameters	141
Ethernet Network Port	141
Ethernet Access Port	142
Configuring 802.1x Authentication Port Parameters	143
Configuring SONET/SDH Port Parameters	143
SONET/SDH Network Port	144
SONET/SDH Access Port	145
Configuring ATM SAPs	148
ATM SAP in an IES Service	148
ATM SAP in an Epipe Service	148
Configuring Frame Relay Parameters	149
SONET/SDH Interfaces	151
Configuring Multilink PPP Bundles	153
Configuring Multilink ATM Inverse Multiplexing (IMA) Bundles	154
IMA Bundles	154
Multi-Class MLPPP	157
IMA Test Procedure	158
Configuring Bundle Protection Group Ports	159
Configuring Channelized Ports	162
Configuring LAG Parameters	168
Service Management Tasks	169

Modifying or Deleting an MDA, MCM, or CMA	169
Modifying a Card Type	170
Deleting a Card	171
Deleting Port Parameters	171
Soft IOM Reset	172
Soft Reset	172
Deferred MDA Reset	173
Card, MDA, and Port Command Reference	175
Configuration Commands	205
Generic Commands	205
Card Commands	208
MCM Commands	210
MDA Commands	211
Interface QoS Commands	216
General Port Commands	221
APS Commands	236
Ethernet Port Commands	244
802.1x Port Commands	271
LLDP Port Commands	276
Network Port Commands	278
Interface Group Handler Commands	280
Multilink-Bundle Port Commands	282
SONET/SDH Port Commands	299
SONET/SDH Path Commands	305
ATM Interface Commands	312
Frame Relay Commands	316
TDM Commands	323
LAG Commands	342
Multi-Chassis Redundancy Commands	351
Show Commands	369
Hardware Commands	369
APS Show Commands	404
Port Show Commands	409
Multilink Bundle Commands	460
LAG Commands	477
Monitor Commands	485
Clear Commands	489
Tools Commands	492
Debug Commands	503
Standards and Protocol Support	507
Index	513

Table of Contents

LIST OF TABLES

Getting Started

Table 1:	Configuration Process	15
----------	-----------------------------	----

7710 SR Interfaces

Table 2:	Typical Mapping Of Classes Onto Queues/Threshold	24
Table 3:	Real-Time DDM Information	31
Table 4:	DDM Alarms and Warnings	32
Table 5:	Relationship of Port State and Oper State	38
Table 6:	Valid SONET and SDH Path Configurations	39
Table 7:	MLFR Bundle Link Integrity Configurable Parameters	43
Table 8:	Multi-Class PPP	51
Table 9:	Default Packet Forwarding Class to MLPPP Class Mapping	52
Table 10:	Packet Forwarding Class to MLPPP Class Mapping	52
Table 11:	MLPPP Class Queue Threshold Parameters	53
Table 12:	MLPPP Class Queue Scheduling Parameters	54
Table 13:	MLPPP Ingress QoS Profile: Reassembly Timers (msec)	55
Table 14:	cHDLC I-Frame	58
Table 15:	cHDLC Protocol Fields	58
Table 16:	SC-APS versus MC-APS Protection	63
Table 17:	APS Switching Modes	66
Table 18:	K1 Byte, Bits 1-4: Type of Request	70
Table 19:	K1 Byte, Bits 5-8 (and K2 Bits 1-4), Channel Number Code Assignments	71
Table 20:	K2 Byte Functions	71
Table 21:	Differences Between SONET and SDH Standards	72
Table 22:	Actions for the Bi-directional Protection Switching Process	74
Table 23:	Switching Mode to MIB Mapping	78
Table 24:	Supported APS Mode Combinations	79
Table 25:	MDA/Port Type Pairing for APS	81
Table 26:	MTU Default Values	122
Table 27:	MTU Configuration Example Values	124
Table 28:	Channelized Port Syntax Examples	162

LIST OF FIGURES

7710 SR Interfaces

Figure 1:	MLPPP 24-bit Fragment Format	47
Figure 2:	MLPPP 12-bit Fragment Format	47
Figure 3:	Frame Sequence of Events	50
Figure 4:	Original MLPPP Header Format	51
Figure 5:	MC-MLPPP Short Sequence Header Format	51
Figure 6:	MLPPP Class Queue Thresholds for In-Profile and Out-of-Profile Packets	53
Figure 7:	MLPPP Class Queue Scheduling Scheme	54
Figure 8:	APS Protection (Single Chassis APS) and Switchover	61
Figure 9:	SC-APS Group with MDA and IOM Protection	64
Figure 10:	MC-APS Group Protects Against Node Failure	65
Figure 11:	APS Working and Protection Circuit Example	75
Figure 12:	SC-APS MLPPP on Channelized Access Interfaces Example	83
Figure 13:	MC-APS MLPPP on Channelized Access Interfaces Example	84
Figure 14:	Multi-Chassis APS Application	85
Figure 15:	Access and Node and Network Resilience	86
Figure 16:	MC-APS with ATM VLL Redundancy	87
Figure 17:	LLDP Internal Architecture for a Network Node	90
Figure 18:	Generic Customer Use Case For LLDP	91
Figure 19:	LAG Configuration	96
Figure 20:	Active-Standby LAG Operation without LACP	103
Figure 21:	MC-LAG L2 Dual Homing to Remote PE Pairs	106
Figure 22:	MC-LAG L2 Dual Homing to Local PE-Pairs	107
Figure 23:	P2P Redundant Connection Through a Layer 2 VPN Network	110
Figure 24:	DSLAM Dual-Homing Using MC-LAG	112
Figure 25:	802.1x Architecture	114
Figure 26:	802.1x Authentication Scenario	115
Figure 27:	802.1x EAPOL Timers (left) and RADIUS Timers (right)	117
Figure 28:	MTU Configuration Example	123
Figure 29:	Slot, Card, MDA, and Port Configuration and Implementation Flow	126

About This Guide

This guide describes system concepts and provides configuration examples to provision input/output Control Forwarding modules (CFMs), also referred to as cards, Media Carrier Modules (MCMs), Media Dependent Adapters (MDAs), Compact Media Adapters (CMAs), and ports. This document is organized into functional chapters and provides concepts and descriptions of the implementation flow, as well as Command Line Interface (CLI) syntax and command usage.

Audience

This manual is intended for network administrators who are responsible for configuring the 7710 SR-Series routers. It is assumed that the network administrators have an understanding of networking principles and configurations, routing processes, and protocols and standards, including:

- CLI concepts
- IOM, MDA, and port configuration
- QoS policies
- Services

List of Technical Publications

The 7710 SR documentation set is composed of the following books:

- **7710 SR OS Basic System Configuration Guide**
This guide describes basic system configurations and operations.
- **7710 SR OS System Management Guide**
This guide describes system security and access configurations as well as event logging and accounting logs.
- **7710 SR OS Interface Configuration Guide**
This guide describes card, Media Dependent Adapter (MDA), and port provisioning.
- **7710 SR OS Router Configuration Guide**
This guide describes logical IP routing interfaces and associated attributes such as an IP address, port, link aggregation group (LAG) as well as IP and MAC-based filtering.
- **7710 SR OS Routing Protocols Guide**
This guide provides an overview of routing concepts and provides configuration examples for RIP, OSPF, IS-IS, BGP, and route policies.
- **7710 SR OS MPLS Guide**
This guide describes how to configure Multiprotocol Label Switching (MPLS) and Label Distribution Protocol (LDP).
- **7710 SR OSServices Guide**
This guide describes how to configure service parameters such as service distribution points (SDPs), customer information, and user services.
- **7710 SR OAM and Diagnostic Guide**
This guide describes how to configure features such as service mirroring and Operations, Administration and Management (OAM) tools.
- **7710 SR OS Triple Play Guide**
This guide describes Triple Play services and support provided by the 7750 SR7450 ESS7710 SR and presents examples to configure and implement various protocols and services.
- **7710 SR OS Quality of Service Guide**
This guide describes how to configure Quality of Service (QoS) policy management.

Technical Support

If you purchased a service agreement for your 7710 SR-series router and related products from a distributor or authorized reseller, contact the technical support staff for that distributor or reseller for assistance. If you purchased an Alcatel-Lucent service agreement, contact your welcome center:

Web: http://www1.alcatel-lucent.com/comps/pages/carrier_support.jhtml

GETTING STARTED

In This Chapter

This chapter provides process flow information to configure cards, MCMs, MDAs, CMAs and ports.

Alcatel-Lucent 7710 SR Router Configuration Process

[Table 1](#) lists the tasks necessary to provision input/output control forwarding modules (CFMs), also referred to as cards, Media Carrier Modules (MCMs), Media Dependent Adapters (MDAs), Compact Media Adapters (CMAs) and ports.

This guide is presented in an overall logical configuration flow. Each section describes a software area and provides CLI syntax and command usage to configure parameters for a functional area.

Table 1: Configuration Process

Area	Task	Chapter
Provisioning	Chassis slots and cards	Chassis Slots and Cards on page 19
	MCMs	MCMs on page 20
	MDAs	MDAs on page 20
	CMAs	CMAs on page 22
	Ports	Ports on page 35
Reference	List of IEEE, IETF, and other proprietary entities.	Standards and Protocol Support on page 507

7710 SR Interfaces

In This Chapter

This chapter provides information about configuring chassis slots, cards, and ports. Topics in this chapter include:

- [Configuration Overview on page 19](#)
 - [Chassis Slots and Cards on page 19](#)
 - [MCMs on page 20](#)
 - [MDAs on page 20](#)
 - [Oversubscribed Ethernet MDAs on page 23](#)
 - [CMAs on page 22](#)
 - [Channelized MDA/CMA Support on page 25](#)
 - [Digital Diagnostics Monitoring on page 28](#)
 - [Ports on page 35](#)
 - [Port Types on page 35](#)
 - [Port Features on page 37](#)
 - [SONET/SDH Port Attributes on page 39](#)
 - [Multilink Point-to-Point Protocol \(MLPPP\) on page 46](#)
 - [Cisco HDLC on page 58](#)
 - [Automatic Protection Switching \(APS\) on page 61](#)
 - [Link Layer Discovery Protocol \(LLDP\) on page 89](#)
 - [LAG on page 94](#)
 - [Multi-Chassis LAG on page 104](#)
 - [Oversubscribed Ethernet MDAs on page 23](#)
 - [802.1x Network Access Control on page 113](#)
 - [MTU Configuration Guidelines on page 122](#)
 - [Deploying Preprovisioned Components on page 125](#)
- [Configuration Process Overview on page 126](#)

- [Configuration Notes on page 127](#)

Configuration Overview

NOTE: This document uses the term *preprovisioning* in the context of preparing or preconfiguring entities such as chassis slots, line cards (or Control Forwarding Module (CFM/IOM) cards), MDA carrier modules (MCMs), media dependent adapters (MDAs), compact media adapters (CMAs), ports, and interfaces, prior to initialization. These entities can be installed but not enabled. When the entity is in a **no shutdown** state (administratively enabled), then the entity is considered to be *provisioned*.

Alcatel-Lucent 7710 SR routers provide the capability to configure chassis slots to accept specific line card and MDA types and set the relevant configurations before the equipment is actually installed. The preprovisioning ability allows you to plan your configurations as well as monitor and manage your router hardware inventory. Ports and interfaces can also be preprovisioned. When the functionality is needed, the card(s) can be inserted into the appropriate chassis slots when required.

The following sections are discussed.

- [Chassis Slots and Cards on page 19](#)
- [MDAs on page 20](#)
- [MCMs on page 20](#)
- [CMAs on page 22](#)
- [Ports on page 35](#)

Chassis Slots and Cards

To pre-provision a chassis slot, the line card type must be specified as well as the MDA/CMA type. System administrators or network operators can enter card type information for each slot, allowing a range of card types in particular slots. From the range of card types, a card and accompanying MDAs/CMAs are specified. When a card is installed in a slot and enabled, the system verifies that the installed card type matches the allowed card type. If the parameters do not match, the card remains offline. A preprovisioned slot can remain empty without conflicting with populated slots.

MCMs

An MCM (MDA Carrier Module) slot must be configured before an MDA (Media Dependant Adapter) can be provisioned. If you provision an MDA type before an MCM slot is configured, it is assumed you are provisioning a Compact Media Adapter (subscriber/SAP/spoke SDP). CMAs do not require MCM pre-configuration. Up to two MCMs may be provisioned on a on a 7710 SR-c4. Even numbered slots are invalid for MCM installation (MCMs physically span 2 slots; “mcm 1” spans slots 1 and 2)

Refer to the CMA Installation Guide(s) and MDA Installation Guide(s) for more information on the physical characteristics of each card.

MDAs

A chassis slot and card type must be specified and provisioned before an MDA can be preprovisioned. An MDA is provisioned when a type designated from the allowed MDA types is inserted. A preprovisioned MDA slot can remain empty without conflicting with populated slots.

Once installed and enabled, the system verifies that the installed MDA type matches the configured parameters. If the parameters do not match, the MDA remains offline.

A chassis slot, card type and MCM must be specified and provisioned before an MDA can be preprovisioned. An MDA is provisioned when a type designated from the allowed MDA type is inserted. A preprovisioned MDA slot can remain empty without conflicting with populated slots. Up to two MDAs may be provisioned on a on a 7710 SR-c4. Even numbered slots are invalid for MDA installation (MDAs physically span 2 slots; “mda 1” spans slots 1 and 2).

MDA output displays an “m” in the name of the card. The following displays a show card state command. In this example, an **m60-10/100eth-tx** MDA is installed in slot 1.

```
A:7710-3>config>card# show card state
=====
Card State
=====
```

Slot/ Id	Provisioned Type	Equipped Type	Admin State	Operational State	Num Ports	Num MDA	Comments
1	iom-12g	iom-12g	up	up		12	
1/1	mcm-v1	mcm-v1	up	up			
1/3		mcm-v1	up	unprovisioned			
1/1	m60-10/100eth-tx	m60-10/100eth-tx	up	up			
1/5	c8-10/100eth-tx	c8-10/100eth-tx	up	up			
1/6		c1-lgb-sfp	up	unprovisioned			
1/7		c8-chds1	up	unprovisioned			
1/8		c4-ds3	up	unprovisioned			
1/9		c8-10/100eth-tx	up	unprovisioned			
1/10		c1-lgb-sfp	up	unprovisioned			

```
1/11                c8-chds1          up    unprovisioned
1/12                c4-ds3           up    unprovisioned
A      cfm-12g       cfm-12g          up    up                Active
B      cfm-12g       cfm-12g          up    down              Standby
=====
A:7710-3>config>card#
```

Once installed and enabled, the system verifies that the installed MDA type matches the configured parameters. If the parameters do not match, the MDA remains offline.

CMAs

CMAs (Compact Media Adapter) are configured and provisioned in the same manner as MDAs (Media Dependent Adapter). Up to four CMAs may be provisioned on a 7710 SR-c4. CMA output displays a “c” in the name of the card. The following displays a show card state command. In this example, a **c8-10/100eth-tx** CMA is installed in slot 5.

```
A:7710-3# show card state
=====
Card State
=====
Slot/  Provisioned      Equipped          Admin Operational  Num   Num  Comments
ID     Type              Type              State  State      Ports MDA
-----
1      iom-12g           iom-12g           up     up          12
1/5    c8-10/100eth-tx c8-10/100eth-tx up   up         8
1/6    c8-10/100eth-tx c8-10/100eth-tx up   up         8
1/7    c8-chds1          c8-chds1          up     unprovisioned
1/8    c4-ds3            c4-ds3            up     unprovisioned
1/9    c8-10/100eth-tx  c8-10/100eth-tx  up     unprovisioned
1/10   c1-1gb-sfp        c1-1gb-sfp        up     unprovisioned
1/11   c8-chds1          c8-chds1          up     unprovisioned
1/12   c4-ds3            c4-ds3            up     unprovisioned
A      cfm-12g           cfm-12g           up     up          Active
B      cfm-12g           cfm-12g           up     provisioned Standby
=====
A:7710-3#
```

A preprovisioned CMA slot can remain empty without conflicting with populated slots.

Once installed and enabled, the system verifies that the installed CMA type matches the configured parameters. If the parameters do not match, the CMA remains offline.

Note: On the E3 CMA, bit stuffing is not supported in G.751 framing mode. All of the 12 justification service bits and the 4 justification bits contain valid data on the transmitted signal. Incoming bitstreams should contain valid data in the 12 justification service bits and 4 justification bits, otherwise the link will not function.

Oversubscribed Ethernet MDAs

The 7710 SR supports oversubscribed Ethernet MDAs/CMAs. These have more bandwidth towards the user than the 5.4 Gbps capacity between the MDA/CMA and CFM.

A traffic management function is implemented on the MDA/CMA to control the data entering the CFM. This function consists of two parts:

- Rate limiting
 - Packet classification and scheduling
-

Rate Limiting

The oversubscribed CMA limits the rate at which traffic can enter the CMA on a per port basis. If a port exceeds its configured limits then the excess traffic will be discarded, and 802.3x flow control frames (pause frames) are generated.

Packet Classification and Scheduling

The classification and scheduling function implemented on the oversubscribed CMA ensures that traffic is correctly prioritized when the bus from the CMA to the CFM is overcommitted. This could occur if the policing parameters configured are such that the sum of the traffic being admitted into the CMA is greater than 10 Gbps.

The classification function uses the bits set in the DSCP or Dot1p fields of the customer packets to perform classification. It can also identify locally addressed traffic arriving on network ports as Network Control packets. This classification on the oversubscribed CMA uses following rules:

- If the service QoS policy for the SAP (port or VLAN) uses the default classification policy, all traffic will be classified as Best Effort (be).
- If the service QoS policy for the SAP contains a Dot1p classification, the Dot1p field in the customer packets is used for classification on the CMA.
- If the service QoS policy for the SAP contains a DSCP classification, the DSCP field in the customer packets is used for classification on the CMA.
- If a mix of Dot1p and DSCP classification definitions are present in the service QoS policy then the field used to perform classification will be the type used for the highest priority definition. For example, if High Priority 1 is the highest priority definition and it specifies that the DSCP field should be used, then the DSCP field will be used for classification on the CMA and the Dot1p field ignored.

- If the service QoS policy for the SAP specifies IP or MAC filters for forwarding class identification, then traffic will be treated as Best Effort. Full MAC or IP classification is not possible on the CMA (but is possible on the CFM).
- The packet is classified into 16 classes. Typically, these are the eight forwarding classes and each packet is assigned one priority per forwarding class. After classification, the packet is offered to the queuing model. This queuing model is limited to three queues each having four thresholds. These thresholds define whether an incoming packet, after classification, is accepted in the queue or not. [Table 2](#) displays typical mapping of classes onto queues/threshold.

Table 2: Typical Mapping Of Classes Onto Queues/Threshold

Counter	{Queue	Threshold	Traffic Class}
0	{2	3	"fc-nc / in-profile" }
1	{2	2	"fc-nc / out-profile" }
2	{2	1	"fc-h1 / in-profile" }
3	{2	0	"fc-h1 / out-profile" }
4	{1	3	"fc-ef / in-profile" }
5	{1	2	"fc-ef / out-profile" }
6	{1	1	"fc-h2 / in-profile" }
7	{1	0	"fc-h2 / out-profile" }
8	{0	3	"fc-l1 / in-profile" }
9	{0	3	"fc-l1 / out-profile" }
10	{0	2	"fc-af / in-profile" }
11	{0	2	"fc-af / out-profile" }
12	{0	1	"fc-l2 / in-profile" }
13	{0	1	"fc-l2 / out-profile" }
14	{0	0	"fc-be / in-profile" }
15	{0	0	"fc-be / out-profile" }

A counter is associated with each mapping. Note that the above is an example and is dependent on the type of classification (such as dscp-exp, dot1p, etc.). When the threshold of a particular class is reached, packets belonging to that class will not be accepted in the queue. The packets will be dropped and the associated counter will be incremented.

The scheduling of the three queues is done in a strict priority, highest priority basis is associated with queue 0. This means that scheduling is done at queue level, not on the class that resulted from the classification. As soon as a packet has been accepted by the queue there is no way to differentiate it from other packets in the same queue (for example, another classification result not exceeding its threshold). All packets queued in the same queue will have the same priority from a scheduling point of view.

Channelized MDA/CMA Support

Channelized DS1/E1

Each 8-port channelized DS1/E1 CMA supports channelization down to DS0. Each 8-port channelized DS1/E1 CMA supports 64 channel groups.

Channelized OC-3/STM-1 Circuit Emulation Services (CES)CMA and MDA

The channelized OC-3/STM-1/OC-12/STM-4 CES CMA/MDAs (c1-choc3-ces-sfp / m1-choc3-ces-sfp, m4-choc3-ces-sfp, m1-choc12-ces-sfp) provide an industry leading consolidation for DS-1, E-1 and n*64kbps for CES. The CES CMA is supported on the 7710 SR and the CES MDAs are supported on IOM-2 and IOM-3XP in the 7750 SR.

The channelized OC-3/STM-1/OC-12/STM-4 CES CMA/MDAs support CES. Circuit emulation services are interoperable with the existing 7705 SAR and 7250 SAS circuit emulation services. They are also interoperable with the TSS-5 circuit emulation services.

Two modes of circuit emulation are supported, unstructured and structured. Unstructured mode is supported for DS-1 and E-1 channels as per RFC4553 (SAToP). Structured mode is supported for n*64 kbps circuits as per RFC 5086, *Structure-Aware Time Division Multiplexed (TDM) Circuit Emulation Service over Packet Switched Network (CESoPSN)*. In addition, DS-1, E-1 and n*64 kbps circuits are also supported as per MEF8, *Circuit Emulation Services over Ethernet (CESoETH)* (Oct 2004). TDM circuits are optionally encapsulated in MPLS or Ethernet as per the applicable standards.

All channels on the CES CMA/MDA are supported as circuits to be emulated across the packet network. This includes DS-1, E-1 and n*64 kbps channels. Structure agnostic mode is supported for DS-1 and E-1 channels. Structure aware mode is supported for n*64 kbps channel groups in DS-1 and E-1 carriers. N*64 kbps circuit emulation supports basic and Channel Associated Signaling (CAS) options. CAS configuration must be identical for all channel groups on a given DS-1 or E-1.

Circuits encapsulated in MPLS will use circuit pipes (Cpipes) to connect to the far end circuit. Cpipes support either SAP-spoke SDP or SAP-SAP connections.

Circuits encapsulated in Ethernet can be selected as a SAP in Epipes. Circuits encapsulated in Ethernet can be either SAP-spoke SDP or SAP-SAP connections for all valid Epipes SAPs. An EC-ID and far-end destination MAC address must be configured for each circuit.

Each OC-3/STM-1 port can be independently configured to be loop-timed or node-timed. Each OC-3/STM-1 port can be configured to be a timing source for the node. Each DS-1 or E-1 channel can be independently configured to be loop-timed, node-timed adaptive-timed, or differential-timed. One timing domain is supported per CMA/MDA. Each CES circuit configured for adaptive timing can be configured to be a timing source for the node. This is required to distribute network timing to network elements which only have packet connectivity to network. On the 7710 SR CES CMA, a BITS port is also provided. The BITS port can be configured as one reference sources (ref1, ref2) in the system timing subsystem.

Channelized OC-12/STM-4 ASAP MDA

The 1-port channelized OC-12/STM-4 variant of the ASAP MDA has features and channelization options similar to the existing 4-port channelized OC-3/STM-1 ASAP MDA.

DS-3 TDM channels can be further channelized to DS-1/E-1 channel groups. An E-3 TDM channel cannot be channelized and can only be configured in clear channel operation.

Channelized DS-3/E-3 ASAP MDA (4-Port)

The 4-port MDA provides 4 ports configurable as DS-3 or E-3. The MDA has eight (8) 1.0/2.3 connectors and accepts up to eight (8) DS-3/E-3 coax patch cables.

Each physical DS-3 connection can support a full clear-channel DS-3, or it can be channelized into independent DS-1/E-1 data channels. Each DS-1/E-1 channel can then be further channelized down to DS-0s. E-3 ports do not support channelization, only clear channel operation.

Channelized DS-3/E-3 ASAP MDA (12-Port)

The 12-port MDA provides 12 ports configurable as DS-3 or E-3. The MDA has twenty-four (24) 1.0/2.3 connectors and accepts up to twenty-four (24) DS-3/E-3 coax patch cables.

Each physical DS-3 connection can support a full clear-channel DS-3, or it can be channelized into independent DS-1/E-1 data channels. Each DS-1/E-1 channel can then be further channelized down to DS-0s. E-3 ports do not support channelization, only clear channel operation.

Digital Diagnostics Monitoring

Some Alcatel-Lucent SFPs, XFPs, QSFPs, CFPs and the MSA DWDM transponder have Digital Diagnostics Monitoring (DDM) capability where the transceiver module maintains information about its working status in device registers including:

- Temperature
- Supply voltage
- Transmit (TX) bias current
- TX output power
- Received (RX) optical power

For the case of QSFP and CFPs, DDM Temperature and Supply voltage is available only at the Module level (to be shown in [Table 4](#)).

The section called [Statistics Collection on page 34](#) shows the following QSFP and CFP sample DDM and DDM Lane information:

The QSFP and CFPs, the number of lanes is indicated by DDM attribute “Number of Lanes : 4”.

Subsequently, each lane threshold and measured values are shown per lane.

If a given lane entry is not supported by the given QSFP or CFP specific model, then it will be shown as “-“ in the entry.

A sample QSFP and CFP lane information is provided below:

```

Transceiver Data
Transceiver Type   : QSFP+
Model Number      : 3HE06485AAAA01  ALU  IPUIBMY3AA
TX Laser Wavelength: 1310 nm                               Diag Capable      : yes
Number of Lanes   : 4
Connector Code    : LC                                       Vendor OUI        : e4:25:e9
Manufacture date  : 2012/02/02                               Media              : Ethernet
Serial Number     : 12050188
Part Number       : DF40GELR411102A
Optical Compliance : 40GBASE-LR4
Link Length support: 10km for SMF
=====
Transceiver Digital Diagnostic Monitoring (DDM)
=====
                                Value High Alarm  High Warn   Low Warn   Low Alarm
-----
Temperature (C)                +35.6      +75.0      +70.0      +0.0      -5.0
Supply Voltage (V)              3.23       3.60       3.50       3.10       3.00
=====
Transceiver Lane Digital Diagnostic Monitoring (DDM)
=====
                                High Alarm  High Warn   Low Warn   Low Alarm
=====

```

```

Lane Tx Bias Current (mA)          78.0      75.0      25.0      20.0
Lane Rx Optical Pwr (avg dBm)      2.30     2.00     -11.02    -13.01

```

```

-----
Lane ID Temp(C)/Alm      Tx Bias(mA)/Alm    Tx Pwr(dBm)/Alm    Rx Pwr(dBm)/Alm
-----
      1          -          43.5              -              0.42
      2          -          46.7              -             -0.38
      3          -          37.3              -              0.55
      4          -          42.0              -             -0.52

```

```

=====
Transceiver Type       : CFP
Model Number          : 3HE04821ABAA01  ALU  IPUIBHJDAA
TX Laser Wavelength: 1294 nm                               Diag Capable      : yes
Number of Lanes       : 4
Connector Code        : LC                               Vendor OUI         : 00:90:65
Manufacture date      : 2011/02/11                       Media              : Ethernet
Serial Number         : C22CQYR
Part Number           : FTLC1181RDNL-A5
Optical Compliance    : 100GBASE-LR4
Link Length support: 10km for SMF

```

```

=====
Transceiver Digital Diagnostic Monitoring (DDM)

```

```

-----
Value High Alarm  High Warn  Low Warn  Low Alarm
-----
Temperature (C)   +48.2     +70.0     +68.0     +2.0     +0.0
Supply Voltage (V) 3.24      3.46      3.43      3.17     3.13

```

```

=====
Transceiver Lane Digital Diagnostic Monitoring (DDM)

```

```

-----
High Alarm  High Warn  Low Warn  Low Alarm
-----
Lane Temperature (C)          +55.0     +53.0     +27.0     +25.0
Lane Tx Bias Current (mA)     120.0     115.0     35.0      30.0
Lane Tx Output Power (dBm)    4.50      4.00      -3.80     -4.30
Lane Rx Optical Pwr (avg dBm) 4.50      4.00     -13.00    -16.00

```

```

-----
Lane ID Temp(C)/Alm      Tx Bias(mA)/Alm    Tx Pwr(dBm)/Alm    Rx Pwr(dBm)/Alm
-----
      1          +47.6          59.2              0.30             -10.67
      2          +43.1          64.2              0.27             -10.31
      3          +47.7          56.2              0.38             -10.58
      4          +51.1          60.1              0.46             -10.37

```

The transceiver is also programmed with warning and alarm thresholds for low and high conditions that can generate system events. These thresholds are programmed by the transceiver manufacturer.

There are no CLI commands required for DDM operations, however, the **show>port port-id detail** command displays DDM information in the Transceiver Digital Diagnostics Monitoring output section.

DDM information is populated into the router's MIBs, so the DDM data can be retrieved by Network Management using SNMP. Also, RMON threshold monitoring can be configured for the

DDM MIB variables to set custom event thresholds if the factory-programmed thresholds are not at the desired levels.

The following are potential uses of the DDM data:

- Optics degradation monitoring — With the information returned by the DDM-capable optics module, degradation in optical performance can be monitored and trigger events based on custom or the factory-programmed warning and alarm thresholds.
- Link/router fault isolation — With the information returned by the DDM-capable optics module, any optical problem affecting a port can be quickly identified or eliminated as the potential problem source.

Supported real-time DDM features are summarized in [Table 3](#).

Table 3: Real-Time DDM Information

Parameter	User Units	SFP/XFP Units	SFP	XFP	MSA DWDM
Temperature	Celsius	C	Supported	Supported	Supported
Supply Voltage	Volts	μ V	Supported	Supported	Not supported
TX Bias Current	mA	μ A	Supported	Supported	Supported
TX Output Power	dBm (converted from mW)	mW	Supported	Supported	Supported
RX Received Optical Power4	dBm (converted from dBm) (Avg Rx Power or OMA)	mW	Supported	Supported	Supported
AUX1	parameter dependent (embedded in transceiver)	-	Not supported	Supported	Not supported
AUX2	parameter dependent (embedded in transceiver)	-	Not supported	Supported	Not supported

The factory-programmed DDM alarms and warnings that are supported are summarized in [Table 4](#).

Table 4: DDM Alarms and Warnings

Parameter	SFP/XFP Units	SFP	XFP	Required?	MSA DWDM
Temperature - High Alarm - Low Alarm - High Warning - Low Warning	C	Yes	Yes	Yes	Yes
Supply Voltage - High Alarm - Low Alarm - High Warning - Low Warning	μ V	Yes	Yes	Yes	No
TX Bias Current - High Alarm - Low Alarm - High Warning - Low Warning	μ A	Yes	Yes	Yes	Yes
TX Output Power - High Alarm - Low Alarm - High Warning - Low Warning	mW	Yes	Yes	Yes	Yes
RX Optical Power - High Alarm - Low Alarm - High Warning - Low Warning	mW	Yes	Yes	Yes	Yes
AUX1 - High Alarm - Low Alarm - High Warning - Low Warning	parameter dependent (embedded in transceiver)	No	Yes	Yes	No

Table 4: DDM Alarms and Warnings (Continued)

Parameter	SFP/XFP Units	SFP	XFP	Required?	MSA DWDM
AUX2 - High Alarm - Low Alarm - High Warning - Low Warning	parameter dependent (embedded in transceiver)	No	Yes	Yes	No

Alcatel-Lucent SFPs and XFPs

The availability of the DDM real-time information and warning/alarm status is based on the transceiver. It may or may not indicate that DDM is supported. Although some Alcatel-Lucent SFPs support DDM, Alcatel-Lucent has not required DDM support in releases prior to Release 6.0. Non-DDM and DDM-supported SFPs are distinguished by a specific ICS value.

For Alcatel-Lucent SFPs that do not indicate DDM support in the ICS value, DDM data is available although the accuracy of the information has not been validated or verified.

For non-Alcatel-Lucent transceivers, DDM information may be displayed, but Alcatel-Lucent is not responsible for formatting, accuracy, etc.

Statistics Collection

The DDM information and warnings/alarms are collected at one minute intervals, so the minimum resolution for any DDM events when correlating with other system events is one minute.

Ports

Port Types

Before a port can be configured, the slot must be provisioned with a card type and MDA type specified.

The Alcatel-Lucent 7710 SR routers support the following port types:

- Ethernet — Supported Ethernet port types include:

- Fast Ethernet (10/100BASE-T)

- Gigabit (1000BASE-T)

7710 SR ports must be configured as either access or network. The default is network.

- Access ports — Configured for customer facing traffic on which services are configured. If a Service Access Port (SAP) is to be configured on the port or channel, it must be configured as an access port or channel. When a port is configured for access mode, the appropriate encapsulation type must be configured to distinguish the services on the port or channel. Once a port has been configured for access mode, one or more services can be configured on the port or channel depending on the encapsulation value.

- Network ports — Configured for network facing traffic. These ports participate in the service provider transport or infrastructure network. Dot1q is supported on network ports.

- SONET-SDH and TDM — Supported SONET-SDH and TDM port types include:

- DS-3/E-3

- OC3/STM-1

- OC12/STM-4

- OC48/STM-16

A SONET/SDH port/path or a TDM port/channel can be configured with the following encapsulations depending on the MDA type:

- Frame Relay

- PPP

- cHDLC

- ATM

Some MDAs support ATM encapsulation on SONET/SDH and TDM ports. The ATM cell format and can be configured for either UNI or NNI cell format. The format is configurable on a SONET/SDH or TDM port/channel path basis. All VCs on a path, channel or port must use the same cell format.

- Several Alcatel-Lucent Media Dependent Adapters (MDAs) support channelization down to the DS-0 level. ATM, Frame Relay, PPP, and cHDLC are supported encapsulations on channelized ports.
- Link Aggregation (LAG) — LAG can be used to group multiple ports into one logical link. The aggregation of multiple physical links allows for load sharing and offers seamless redundancy. If one of the links fails, traffic will be redistributed over the remaining links.
- Multilink Bundles — A multilink bundle is a collection of channels on channelized ports that physically reside on the same MDA. Multilink bundles are used by providers who offer either bandwidth-on-demand services or fractional bandwidth services (fraction of a DS-3/E-3 for example). Multilink bundles are supported over PPP channels (MLPPP) and ATM channels (IMA).
- APS — Automatic Protection Switching (APS) is a means to provide redundancy on SONET equipment to guard against linear unidirectional or bidirectional failures. The network elements (NEs) in a SONET/SDH network constantly monitor the health of the network. When a failure is detected, the network proceeds through a coordinated predefined sequence of steps to transfer (or switchover) live traffic to the backup facility (called protection facility.) This is done very quickly to minimize lost traffic. Traffic remains on the protection facility until the primary facility (called working facility) fault is cleared, at which time the traffic may optionally be reverted to the working facility.
- Bundle Protection Group (BPGGrp) — A BPGGrp is a collection of two bundles created on the APS Group port. Working bundle resides on the working circuit of the APS group, while protection bundle resides on the protection circuit of the APS group. APS protocol running on the circuits of the APS Group port monitors the health of the SONET/SDH line and based on it or administrative action moves user traffic from one bundle to another in the group as part of an APS switch.

Port Features

- [Port State and Operational State on page 37](#)
 - [SONET/SDH Port Attributes on page 39](#)
→ [SONET/ SDH Path Attributes on page 39](#)
 - [Multilink Frame Relay on page 41](#)
 - [FRF.12 End-to-End Fragmentation on page 44](#)
 - [FRF.12 UNI/NNI Link Fragmentation on page 45](#)
 - [MLFR/FRF.12 Support of APS, BFD, and Mirroring Features on page 45](#)
 - [Multilink Point-to-Point Protocol \(MLPPP\) on page 46](#)
 - [Link Fragmentation and Interleaving Support on page 50](#)
 - [Multi-Class MLPPP on page 51](#)
 - [Cisco HDLC on page 58](#)
 - [Automatic Protection Switching \(APS\) on page 61](#)
 - [LAG on page 94](#)
 - [802.1x Network Access Control on page 113](#)
-

Port State and Operational State

There are two port attributes that are related and similar but have slightly different meanings: Port State and Operational State (or Operational Status).

The following descriptions are based on normal individual ports. Many of the same concepts apply to other objects that are modeled as ports in SR-OS such as PPP/IMA/MLFR multilink bundles or APS groups but the show output descriptions for these objects should be consulted for the details.

- Port State
 - Displayed in port summaries such as **show port** or **show port 1/1**
 - tmnxPortState in the TIMETRA-PORT-MIB
 - Values: None, Ghost, Down (linkDown), Link Up, Up
- Operational State
 - Displayed in the show output of a specific port such as **show port 2/1/3**
 - tmnxPortOperStatus in the TIMETRA-PORT-MIB
 - Values: Up (inService), Down (outOfService)

The behavior of Port State and Operational State are different for a port with link protocols configured (Eth OAM, Eth CFM or LACP for ethernet ports, LCP for PPP/POS ports). A port with link protocols configured will only transition to the **Up** Port State when the physical link is up and all the configured protocols are up. A port with no link protocols configured will transition from Down to Link Up and then to Up immediately once the physical link layer is up.

The SR-OS linkDown and linkUp log events (events 2004 and 2005 in the snmp application group) are associated with transitions of the port Operational State. Note that these events map to the RFC 2863, *The Interfaces Group MIB*, (which obsoletes RFC 2233, *The Interfaces Group MIB using SMIV2*) linkDown and linkUp traps as mentioned in the SNMPv2-MIB.

An Operational State of **Up** indicates that the port is ready to transmit service traffic (the port is physically up and any configured link protocols are up). The relationship between port Operational State and Port State in SR-OS is shown in the following table:

Table 5: Relationship of Port State and Oper State

Port State (as displayed in the show port summary)	Operational State (Oper State or Oper Status) (as displayed in “show port x/y/z”)	
	For ports that have no link layer protocols configured	For ports that have link layer protocols configured (PPP, LACP, 802.3ah EFM, 802.1ag Eth-CFM)
Up	Up	Up
Link Up (indicates the physical link is ready)	Up	Down
Down	Down	Down

SONET/SDH Port Attributes

One OC-3 / STM-1 port is supported on the CMA. One OC-3 / STM-1 port is supported on the MDA. The ports can be configured for either SONET or SDH operation. SONET ports are configured for channelized OC-3 operation. SDH ports can be configured for channelized STM-1 operation.

The port's transmit clock rate can be node or loop timed. The port's receive clock rate can be used as a synchronization source for the system. The Section Trace (C1) byte can be configured by the user to ensure proper physical cabling. The port can activate and deactivate local line and internal loopbacks.

All SONET/SDH line alarms are configurable to be either enabled (default) or disabled. Link hold timers can be configured in 100ms increments to control link up and link down indications. The line signal degradation bit error rate (ber-sd) threshold and the line signal failure bit error rate (ber-sf) threshold can be configured.

The CMAs and MDAs support all standard SR OC-3/STM-1 SFP optics including multi-mode, intermediate reach, and long reach. Single fiber mode is not supported.

The CMA contains 3 LEDs for power, status and link state of port #1. The MDA contains LEDs for power, status and one for each link state. The power LED is blue if power is connected and off if no power is present. The status LED is green when operationally up, amber when operationally down, off when administratively shutdown and blinking green during initialization. The link state LED is green when the link is established; amber when the link is down; and unlit when the port is shutdown.

SONET/ SDH Path Attributes

Any CES path can only be configured to operate in access mode. Each path has a configurable text description. The SONET/SDH signal label byte (C2) is configurable. The SONET/SDH path trace string (J1) is configurable. Payload scrambling can not be enabled on CES paths. The valid SONET and SDH path configurations are shown in [Table 6](#).

Table 6: Valid SONET and SDH Path Configurations

Framing	Path Configuration Options Per Physical Port	Max Number of Paths Per Physical Port
SDH	STM1>AUG1>VC4>TUG3>TUG2>VC12>E1 STM1>AUG1>VC3>TUG2>VC12>E1	63 E1 or 512 n*64kbps
SONET	OC3>STS1 SPE>DS3>E1	

Table 6: Valid SONET and SDH Path Configurations

Framing	Path Configuration Options Per Physical Port	Max Number of Paths Per Physical Port
SONET	OC3>STS1 SPE>VT GROUP>VT1.5 SPE>DS1	84 DS1 or 512 n*64kbps
SONET	OC3>STS1 SPE>DS3	3 DS3
SONET	OC3>STS1 SPE>DS3>DS1	84 DS1, 63 E1 or 512 n*64kbps
SDH	STM1>AUG1>VC4>TUG3>TUG2>TU11> VC11>DS1 STM1>AUG1>VC3>TUG2>VC11>DS1	84 DS1 or 512 n*64kbps
SDH	STM1>AUG1>VC3>DS3>DS1	84 DS1, 63 E1 or 512 n*64kbps
SDH	STM1>AUG1>VC4>TUG3>VC3>E3 STM1>AUG1>VC3>E3	3 E3
SDH	STM1>AUG1>VC3>DS3	3 DS3
SDH	STM1>AUG1>VC3>DS3>E1	3 DS3

All SONET/SDH path alarms are configurable to be either enabled (the default) or disabled. The MTU size is configurable per path in the range of 512 to 2092. The path uses a default MTU size set to equal the largest possible CES packet size.

Load balancing options are not applicable to channelized CES paths.

Multilink Frame Relay

MLFR is a bundling capability allowing users to spray FR frame fragments over multiple T1/E1 links. This allows a dynamic provisioning of additional bandwidth by adding incremental bandwidth between T1/E1 and DS3/E3. A MLFR bundle increases fault tolerance and improves QoS characteristics since one single large frame of low priority cannot block a higher priority frame.

A MLFR supports up to eight (8) member links and a maximum of 128 bundles with up to 336 T1 / 252 E1 members links can be configured per MDA. NxDS0 circuits or higher speed circuits are not supported.

The MLFR implementation supports FRF.16.1 bundle link integrity protocol to verify serviceability of a member link.

MLFR Bundle Data Plane

FRF.16.1 reuses the UNI/NNI fragmentation procedures defined in FRF.12. Frames on all FR SAP on the MLFR bundle have the UNI/NNI fragmentation header added regardless if they are fragmented or not. A separate sequence number state machine is used for each FR SAP configured on the bundle. The fragmentation threshold is configurable in the range 128-512 bytes.

In order to provide priority based scheduling of the FR SAP fragments over the bundle links, the user configures a FR scheduling class for each FR SAP configured on the bundle. As in MC-MLPPP, four scheduling classes are supported.

A separate fragmentation context is used by each FR SAP. FR SAPs of the same scheduling class share the same egress FR scheduling class queue with fragments of each SAP packets stored contiguously. The fragments from each scheduling class queue are then sprayed over the member links. Furthermore, the user may select the option to not fragment but spray the FR frames with the fragmentation header included over the member links.

Received fragments over the member links are re-assembled on a per SAP basis to re-create the original FR frame.

A user is not allowed to add an FR SAP with FRF.12 e2e fragmentation enabled to an MLFR bundle. Conversely, the user cannot enable FRF.12 e2e fragmentation on an FR SAP configured on an MLFR bundle. If an FR frame with the e2e fragmentation header is received on a bundle, it is forwarded if the FR SAP is part of an fpipe service. It will be discarded if the FR SAP is part of any other service.

Note that the operator must disable LMI before adding a link to an MLFR bundle. Also, the operator must shut down the bundle in order to change the value of the fragmentation threshold.

An FR SAP configured on an MLFR bundle can be part of a VLL, VPLS, IES, or VPRN service.

MLFR Bundle Link Integrity Protocol

FRF.16.1 defines a MLFR Bundle Link Integrity Protocol which verifies the serviceability of a member link. If a problem is found on the member link the link integrity protocol will identify the problem, flag the link as unusable, and adjust the Bundle's available bandwidth. For MLFR Bundles the link integrity protocol is always enabled.

For each member link of a bundle the link integrity protocol will do the following:

- Confirm frame processing capabilities of each member link.
- Verify membership of a link to a specific remote bundle.
- Report to the remote end of the member link the bundle to which the link belongs
- Detect loopbacks on the member link. This is always enabled on the 7710 SR. The near-end monitors the magic number Information Element (IE) sent by the far-end and if its value matches the one it transmitted in ten consecutive control messages, it sends a `remove_link` message to the far-end and brings the link down. The near-end will attempt to add the link until it succeeds.
- Estimate propagation delay on the member link. The differential delay is calculated as follows in the 7710 SR implementation. Every time the near-end sends an `add_link` or Hello message to the far-end, it includes the Timestamp Information Element (IE) with the local time the packet was sent. FRF16.1 standard requires that the remote equipment includes the timestamp IE and copies the received timestamp value unchanged if the sender included this IE. When the far-end node sends back the ACK for these messages, the near-end calculates the round trip time. The 7710 SR implementation maintains a history of the last "N" round-trip-times that were received. It takes the fastest of these samples for each member link to find out the member link with the fastest RTT. Then for each link it calculates the difference between the fastest links RTT, and the RTT for the current link. The user has the option to coordinate link removal between the local and remote equipment.

Specifically, the MLFR Bundle Link Integrity Protocol defines the following control messages:

- `ADD_LINK`
- `ADD_LINK_ACK`
- `ADD_LINK_REJ`
- `HELLO`
- `HELLO_ACK`
- `REMOVE_LINK`
- `REMOVE_LINK_ACK`

The control messages are encapsulated in a single-fragment frame where the C-bit, the B-bit, and the E-bit are all set. The details of the message format are given in FRF.16.1. [Table 7](#) lists the user configured control parameters with values as specified in FRF.16.1.

Table 7: MLFR Bundle Link Integrity Configurable Parameters

Parameter	Default Value	Minimum Value	Maximum Value
Timer T_HELLO	10 seconds	1 second	180 seconds
Timer T_ACK	4 seconds	1 second	10
Count N_MAX_RETRY	2	1	5

T_HELLO Timer - this timer controls the rate at which hello messages are sent. Following a period of T_HELLO duration, a HELLO message is transmitted onto the Bundle Link.

Note that T_HELLO Timer is also used, during the Bundle Link adding process, as an additional delay before re-sending an ADD_LINK message to the peer Bundle Link when this peer Bundle Link does not answer as expected.

T_ACK Timer - this timer defines the maximum period to wait for a response to any message sent onto the Bundle Link before attempting to retransmit a message onto the Bundle Link.

N_RETRY - this counter specifies the number of times a retransmission onto a Bundle Link will be attempted before an error is declared and the appropriate action taken.

FRF.12 End-to-End Fragmentation

The user enables FRF.12 e2e fragmentation on a per FR SAP basis. A fragmentation header is added between the standard Q.922 header and the payload. This header consists of a 2-byte Network Layer Protocol ID (NLPID) of value 0xB1 to indicate e2e fragmentation payload and a 2-byte containing the Beginning bit (B-bit), the End-bit (E-bit), the Control bit (C-bit), and the Sequence Number field.

The following is the mode of operation for the fragmentation in the transmit direction of the FR SAP. Frames of all the FR SAP forwarding class queues are subject to fragmentation. The fragmentation header is, however, not included when the frame size is smaller than the user configured fragmentation size. The SAP transmits all fragments of a frame before sending the next full or fragmented frame. The fragmentation threshold is configurable in the range 128 — 512 bytes. In the receive direction, the SAP accepts a full frame interleaved with fragments of another frame to interoperate with other vendor implementations.

A FR SAP with FRF.12 e2e fragmentation enabled can be part of a VPLS service, an IES service, a VPRN service, an Ethernet VLL service, or an IP VLL service. This SAP cannot be part of a FR VLL service or an FRF.5 VLL service. However, fragmented frames received on such VLLs will be passed transparently as in current implementation.

SAP Fragment Interleaving Option

This option provides a different mode of operation for the fragmentation in the transmit direction of the FR SAP than in the default behavior of a FRF.12 end-to-end fragmentation. It allows for the interleaving of high-priority frames and fragments of low-priority frames.

When the interleave option is enabled, only frames of the FR SAP non expedited forwarding class queues are subject to fragmentation. The frames of the FR SAP expedited queues are interleaved, with no fragmentation header, among the fragmented frames. In effect, this provides a behavior like in MLPPP Link Fragment Interleaving (LFI). The receive direction of the FR SAP supports both modes of operation concurrently, for example, with and without fragment interleaving.

FRF.12 UNI/NNI Link Fragmentation

The user enables FRF.12 UNI/NNI link fragmentation on a per FR circuit basis. All FR SAPs configured on this circuit are subject to fragmentation. A fragmentation header is added on top of the standard Q.922 header. This header consists of 2 bytes containing the beginning bit (B-bit), the End-bit (E-bit), the Control bit (C-bit), and the sequence number field. The fragmentation header is included on frames of all SAPs regardless if the frame size is larger or not than the fragment size.

The FECN, BECN, and DE bits of all fragments of a given FR frame are set to the same value as the original frame. The FECN, BECN, and DE bits of a re-assembled frame are set to the logical OR of the corresponding bits on the constituent fragments.

The operator must delete all configured FR SAPs on a port before enabling or disabling FRF.12 UNI/NNI on that port. Also, the user must shut down the port in order to change the value of the fragmentation threshold.

A FR SAP on a FR circuit with FRF.12 UNI/NNI fragmentation enabled can be part of a VLL, VPLS, IES, or VPRN service.

QoS for a link with FRF.12 UNI/NNI fragmentation is the same as for a MLFR bundle. The FR class queue parameters and its scheduling parameters are configured by applying an egress QoS profile to an FRF.12 UNI/NNI port. The FR scheduling class ingress re-assembly timeout is not applicable to a FRF.12 UNI/NNI port.

MLFR/FRF.12 Support of APS, BFD, and Mirroring Features

The following APS support is provided:

- Single-chassis APS is supported on a SONET/SDH port with FRF.12 UNI/NNI fragmentation enabled on the port or on a constituent TDM circuit.
- Single-chassis APS is supported on a SONET/SDH port with FRF.12 e2e fragmentation enabled on one or more FR SAPs on the port or on a constituent TDM circuit.
- Single-chassis APS is not supported on a SONET/SDH port with MLFR bundles configured.
- Multi-chassis APS is not supported on a SONET/SDH port with FR encapsulation configured on the port or on a constituent TDM circuit.

The following BFD support is provided:

- BFD is supported on an IP interface configured over a FR SAP with e2e fragmentation enabled.

- BFD is supported on an IP interface configured over a FR SAP on a port or channel with UNI/NNI fragmentation enabled.
- BFD is not supported on an FR SAP configured on an MLFR bundle.

The following mirroring support is provided:

- Port mirroring and FR SAP mirroring on an MLFR bundle.
- IP mirroring for an FR SAP on an MLFR bundle.
- A mirror source can be an MLFR bundle or a FR SAP on an FR bundle.
- Mirror destinations must be FR SAPs and must not be part of an APS group or an MLFR bundle.

Multilink Point-to-Point Protocol (MLPPP)

Multilink point-to-point protocol is defined in the IETF RFC 1990, *The PPP Multilink Protocol (MP)*, and provides a way to distribute data across multiple links within an MLPPP bundle to achieve high bandwidth. MLPPP allows for a single frame to be fragmented and transmitted across multiple links. This allows for lower latency and also allows for a higher maximum receive unit (MRU).

MP is negotiated during the initial LCP option negotiations of a standard PPP session. A router indicates to its peer that it is willing to perform MLPPP by sending the MP option as part of the initial LCP option negotiation. This negotiation indicates the following:

1. The system offering the option is capable of combining multiple physical links into one logical link;
2. The system is capable of receiving upper layer protocol data units (PDU) fragmented using the MP header and reassembling the fragments back into the original PDU for processing;
3. The system is capable of receiving PDUs of size N octets where N is specified as part of the option even if N is larger than the maximum receive unit (MRU) for a single physical link.

Once MLPPP has been successfully negotiated, the sending system is free to send PDUs encapsulated and/or fragmented with the MP header.

MP introduces a new protocol type with a protocol ID (PID) of 0x003d. [Figure 1](#) and [Figure 2](#) show the MLPPP fragment frame structure. Framing to indicate the beginning and end of the encapsulation is the same as that used by PPP, and described in PPP in HDLC-like framing [RFC 1662]. MP frames use the same HDLC address and control pair value as PPP, namely: Address - 0xFF and Control - 0x03. The two octet protocol field is also structured the same as in PPP encapsulation. A summary of the MP encapsulation is shown in [Figure 1](#).

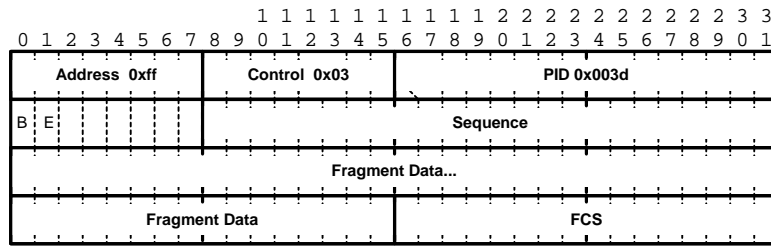


Figure 1: MLPPP 24-bit Fragment Format

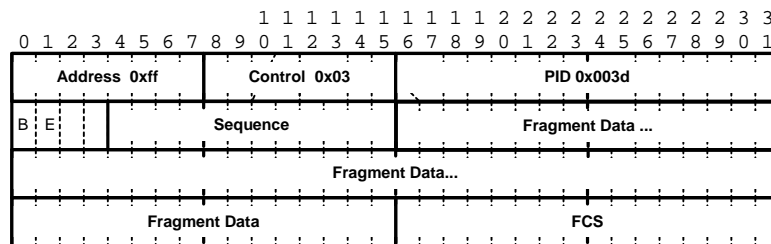


Figure 2: MLPPP 12-bit Fragment Format

The required and default format for MP is the 24-bit format. During the LCP state the 12-bit format can be negotiated. The SR-series routers can support and negotiate the alternate 12-bit frame format.

Protocol Field (PID)

The protocol field is two octets its value identifies the datagram encapsulated in the Information field of the packet. In the case of MP the PID also identifies the presence of a 4-octet MP header (or 2-octet, if negotiated).

A PID of 0x003d identifies the packet as MP data with an MP header.

The LCP packets and protocol states of the MLPPP session follow those defined by PPP in RFC 1661, *The Point-to-Point Protocol (PPP)*. The options used during the LCP state for creating an MLPPP NCP session are described below.

B & E Bits

The B&E bits are used to indicate the epoch of a packet. Ingress packets to the MLPPP process will have an MTU, which may or may not be larger than the MRRU of the MLPPP network. The B&E bits manage the fragmentation of ingress packets when it exceeds the MRRU.

The B-bit indicates the first (or beginning) packet of a given fragment. The E-bit indicates the last (or ending) packet of a fragment. If there is no fragmentation of the ingress packet both B&E bits are set true (=1).

Sequence Number

Sequence numbers can be either 12 or 24 bits long. The sequence number is zero for the first fragment on a newly constructed AVC bundle and increments by one for each fragment sent on that bundle. The receiver keeps track of the incoming sequence numbers on each link in a bundle and reconstructs the desired unbundled flow through processing of the received sequence numbers and B&E bits. For a detailed description of the algorithm refer to RFC 1990.

Information Field

The Information field is zero or more octets. The Information field contains the datagram for the protocol specified in the protocol field.

The MRRU will have the same default value as the MTU for PPP. The MRRU is always negotiated during LCP.

Padding

On transmission, the Information field of the ending fragment may be padded with an arbitrary number of octets up to the MRRU. It is the responsibility of each protocol to distinguish padding octets from real information. Padding must not be added to any but the last fragment (the E-bit set true).

FCS

The FCS field of each MP packet is inherited from the normal framing mechanism from the member link on which the packet is transmitted. There is no separate FCS applied to the reconstituted packet as a whole if transmitted in more than one fragment.

LCP

The Link Control Protocol (LCP) is used to establish the connection through an exchange of configure packets. This exchange is complete, and the LCP opened state entered, once a Configure-Ack packet has been both sent and received.

LCP allows for the negotiation of multiple options in a PPP session. MLPPP is somewhat different than PPP and therefore the following options are set for MLPPP and not negotiated:

- No async control character map
- No link quality monitoring
- No compound frames
- No self-describing-padding

Any non-LCP packets received during this phase must be silently discarded.

Single-Fiber and Strip-Label

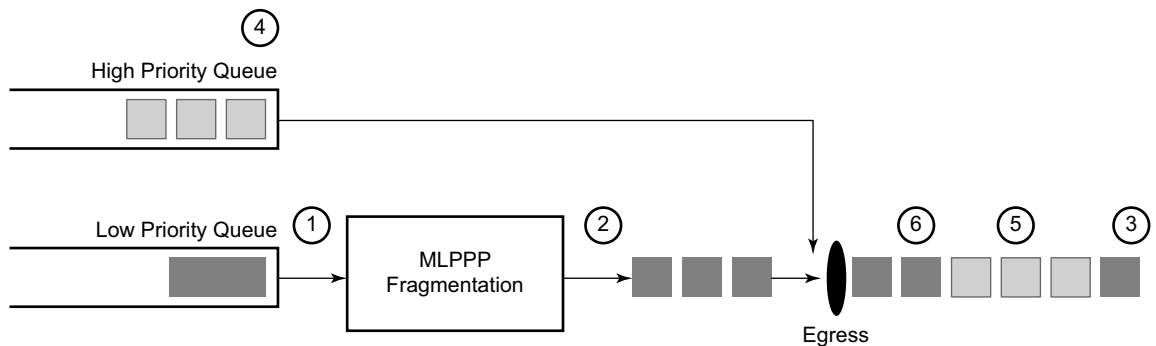
When configuring single-fiber and strip-label on the Ethernet port, the configured static MA address must equal the MAC address of the next-hop router (mirrored port). When configuring strip-label for both Ethernet and SONET/SDH ports, the IP address must be configured or the interface will not come up.

Link Fragmentation and Interleaving Support

Link Fragmentation and Interleaving (LFI) provides the ability to interleave high priority traffic within a stream of fragmented lower priority traffic. This feature helps avoid excessive delays to high priority, delay-sensitive traffic over a low-speed link. This can occur if this traffic type shares a link with lower priority traffic that utilizes much larger frames. Without this ability, higher priority traffic must wait for the entire packet to be transmitted before being transmitted, which could result in a delay that is too large for the application to function properly.

For example, if VoIP traffic is being sent over a DS-1 or fractional DS-1 which is also used for Best Effort Internet traffic, LFI could be used so the small (usually 64-128B) VoIP packets can be transmitted between the transmission of fragments from the lower priority traffic.

Figure 3 shows the sequence of events as low priority and high priority frames arrive and are handled by LFI.



Fig_2

Figure 3: Frame Sequence of Events

1. A low priority frame arrives in the low priority queue. At this particular instant, there are no packets in the high priority queue so low priority frame is de-queued and passed to the fragmentation mechanism for MLPPP.
2. The original packet is divided into 'n' fragments based on the size of the packet and the fragment threshold configuration.
3. The fragments are then transmitted out the egress port.
4. After the transmission of the fragments has begun, high priority frames arrive in the high priority queue.
5. The transmission of the remaining fragments stops and the high priority packets are transmitted out the egress interface. Note that high priority packets are not fragmented.
6. When the high priority traffic is transmitted, the remaining lower priority fragments are then transmitted.

On the ingress side, LFI requires that the ingress port can receive non-fragmented packets within the fragment stream and pass these packets directly on to the forwarding engine and then continue with the reassembly process for the fragmented frames.

Multi-Class MLPPP

Multi-class MLPPP (MC-MLPPP) allows for the prioritization of multiple types of traffic flowing between the cell site routers and the mobile operator's aggregation routers. MC-MLPPP is an extension of the MLPPP standard which allows multiple classes of service to be transmitted over a MLPPP bundle. Originally (Figure 4), link fragmentation and interleaving (LFI) was added to MLPPP that allowed two classes, but in some applications, two classes of service can be insufficient.

The MLPPP header includes two class bits to allow for up to four classes of service (Figure 5). This enhancement to the MLPPP header format is detailed in RFC 2686, *The Multi-Class Extension to Multi-Link PPP*. This allows multiple classes of services over a single MLPPP connection and allows the highest priority traffic to be transmitted over the MLPPP bundle with minimal delay regardless of the order in which packets are received.

Table 8: Multi-Class PPP

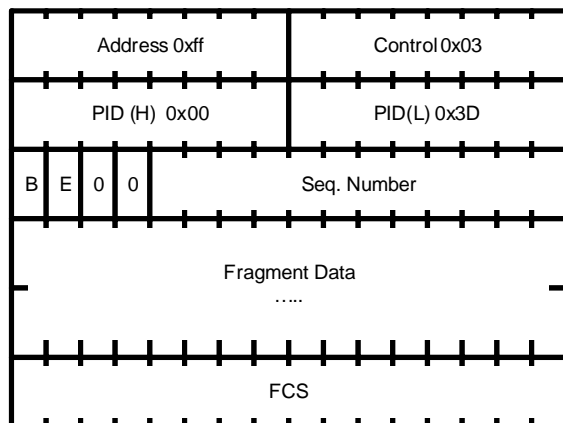


Figure 4: Original MLPPP Header Format

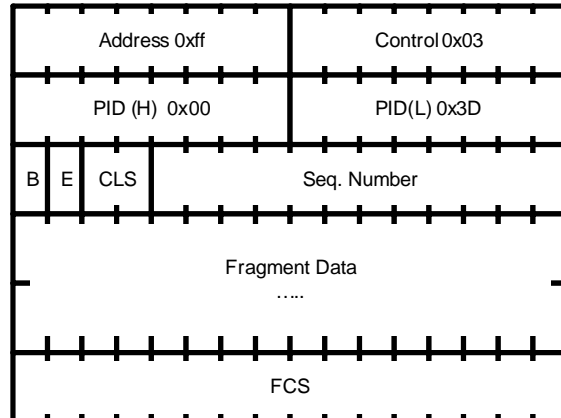


Figure 5: MC-MLPPP Short Sequence Header Format

The new MC-MLPPP header format uses the two (previously unused) bits before the sequence number as the class identifier. This allows four distinct classes of service to be identified into separate re-assembly contexts.

QoS in MC-MLPPP

If the user enables the multiclass option under an MLPPP bundle, the MDA egress data path provides a queue for each of the 4 classes of MLPPP. The user configures the required number of MLPPP classes to use on a bundle. The forwarding class of the packet, as determined by the ingress QoS classification, is used to determine the MLPPP class for the packet and hence which of the four egress MDA queues to store the packet. The mapping of forwarding class to MLPPP class is a function of the user configurable number of MLPPP classes. The default mapping for a 4-class, 3-class, and 2-class MLPPP bundle is shown in [Table 9](#).

Table 9: Default Packet Forwarding Class to MLPPP Class Mapping

FC ID	FC Name	Scheduling Priority (Default)	MLPPP Class 4-class bundle	MLPPP Class 3-class bundle	MLPPP Class 2-class bundle
7	NC	Expedited	0	0	0
6	H1	Expedited	0	0	0
5	EF	Expedited	1	1	1
4	H2	Expedited	1	1	1
3	L1	Non-Expedited	2	2	1
2	AF	Non-Expedited	2	2	1
1	L2	Non-Expedited	3	2	1
0	BE	Non-Expedited	3	2	1

[Table 10](#) shows a different mapping enabled when the user applies one of three pre-defined egress QoS profiles in the 4-class bundle configuration only.

Table 10: Packet Forwarding Class to MLPPP Class Mapping

FC ID	FC Name	Scheduling Priority (Default)	MLPPP Class (MLPPP Egress QoS profile 1, 2, and 3)
7	NC	Expedited	0
6	H1	Expedited	0
5	EF	Expedited	1
4	H2	Expedited	2
3	L1	Non-Expedited	2
2	AF	Non-Expedited	2
1	L2	Non-Expedited	2
0	BE	Non-Expedited	3

The MLPPP class queue parameters and its scheduling parameters are also configured by applying one of the three pre-defined egress QoS profiles to an MLPPP bundle.

Table 11 and Figure 6 provide the details of the class queue threshold parameters. Packets marked with a high drop precedence, such as out-of-profile, by the service or network ingress QoS policy will be discarded when any class queue reaches the OOP threshold. Packet with a low drop precedence marking, such as in-profile, will be discarded when any class queue reaches the max threshold.

Table 11: MLPPP Class Queue Threshold Parameters

	Class 0		Class 1		Class 2		Class 3	
Queue Threshold (in ms @ Available bundle rate)	Max	Oop	Max	Oop	Max	Oop	Max	Oop
2-Class Bundle Default Egress QoS Profile	250	125	750	375	N/A	N/A	N/A	N/A
3-Class Bundle Default Egress QoS Profile	50	25	200	100	750	375	N/A	N/A
4-Class Bundle Default Egress QoS Profile	10	5	50	25	150	75	750	375
4-Class Bundle Egress QoS Profile 1	25	12	5	3	200	100	1000	500
4-Class Bundle Egress QoS Profile 2	25	12	5	3	200	100	1000	500
4-Class Bundle Egress QoS Profile 3	25	12	5	3	200	100	1000	500

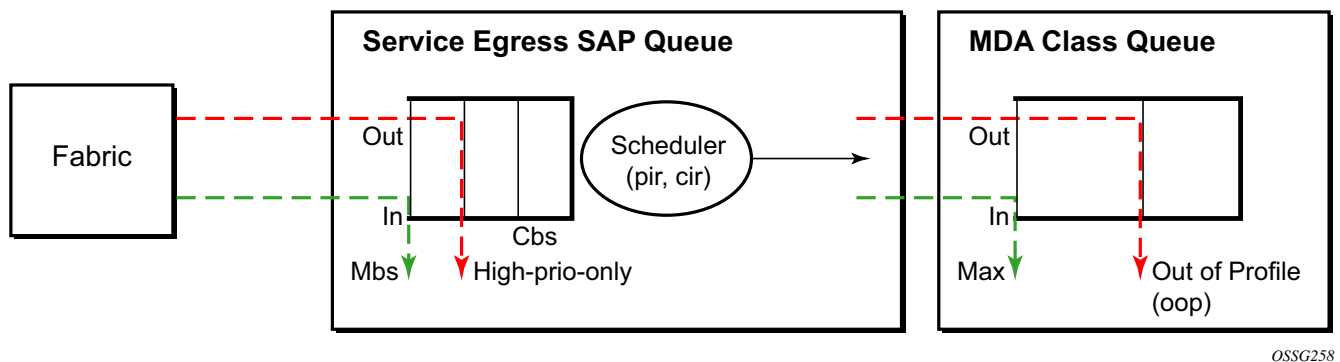


Figure 6: MLPPP Class Queue Thresholds for In-Profile and Out-of-Profile Packets

Table 12 and Figure 7 provide the details of the class queue scheduling parameters.

Table 12: MLPPP Class Queue Scheduling Parameters

		WRR Parameters			
4-class MLPPP Egress QoS Profile	MIR	W1	W2	W3	
Profile 1	85%	<1%	66%	33%	
Profile 2	90%	<1%	89%	10%	
Profile 3	85%	<1%	87%	12%	

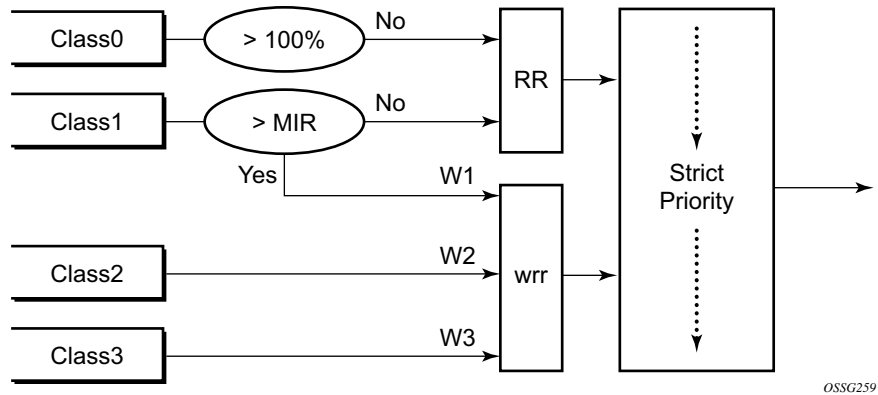


Figure 7: MLPPP Class Queue Scheduling Scheme

Note that all queue threshold and queue scheduling parameters are adjusted to the available bundle rate. If a member link goes down or a new member link is added to the bundle, the scheduling parameters MIR, W1, W2, W3, as well as the per class queue thresholds OOP and max are automatically adjusted to maintain the same values.

Class 0 queue is serviced at MLPPP at available bundle rate. Class 1 queue is guaranteed a minimum service rate but is allowed to share additional bandwidth with class 2 and 3 queues based on the configuration of WRR weight W1.

Class queues 2 and 3 can be given bandwidth guarantee by limiting MIR of class 1 queue to less than 100% and by setting the WRR weights W1, W2, and W3 to achieve the desired bandwidth distribution among all three class queues.

Note that there is one queue per bundle member link to carry link control packets, such as LCP: PPP, and which are serviced with strict priority over the 4 class queues (not shown).

In the default 2-class, 3-class, and 4-class egress QoS profile, the class queues are service with strict priority in ascending order of class number.

Ingress MLPPP Class Reassembly

For a MLPPP bundle with the multi-class option enabled, there is a default profile for setting the re-assembly timer value for each class. When the pre-defined MLPPP ingress QoS profile 1 is applied to a 4-class bundle, the values of the timers are modified as shown in [Table 13](#).

Table 13: MLPPP Ingress QoS Profile: Reassembly Timers (msec)

	Class 0	Class 1	Class 2	Class 4
MLPPP ingress QoS default profile (2-Class bundle)	25ms	25ms	NA	NA
MLPPP ingress QoS default profile (3-Class bundle)	25ms	25ms	25ms	NA
MLPPP ingress QoS default profile (4-Class bundle)	25ms	25ms	100ms	1000ms
MLPPP ingress QoS profile 1 (4-class bundle)	10	10	100	1000

Configuring MC-MLPPP QoS Parameters

A 4-class MLPPP bundle can be configured with user-defined MLPPP QoS attributes. This feature cannot be used with MC-MLPPP bundles with fewer than 4 classes or with non-multiclass bundles.

The following describe the parameters and the configuration processes and rules

1. The user creates an ingress QoS profile in the **mlppp-profile-ingress** context, to configure a preferred value of the ingress per-class re-assembly timer. Ingress QoS profile 1 is reserved for the pre-defined profile with parameter values displayed in [Table 13](#). The user is allowed to edit this profile and change parameter values. When a user creates a profile with a profile-id greater than 1, or performs the no option command on the parameter, the parameter's default value will always be the 1 in [Table 13](#) for ingress QoS Profile #1 regardless of the parameter value the edited Profile 1 has at that point
2. The user creates an egress QoS profile in the **mlppp-profile-egress** context to configure preferred values for the per-class queue and queue scheduling parameters. The user can also configure system forwarding class mapping to the MLPPP classes. Egress QoS profiles 1, 2, and 3, are reserved for the pre-defined profiles with parameter values shown in [Table 10](#), [Table 11](#), or [Table 12](#). Users can edit these profiles and change parameter values. When a user creates a profile with a profile-id higher than 3, or when the user specifies the no option command on the parameter, the default value will be the one shown in [Table 10](#), [Table 11](#), or [Table 12](#) for the egress QoS Profile 1. This is regardless of the parameter value the edited profiles have at that point in time.
3. A maximum of 128 ingress and 128 egress QoS profiles can be created on the system.
4. The values of the ingress per-class re-assembly timer are configured in the ingress QoS profile.
5. The mapping of the system forwarding classes to the MLPPP Classes are configured in the egress QoS profile. There is a many-to-one relationship between the system FC and an MLPPP class. See [Table 10](#) for the mapping when one of the three pre-defined 4-class egress QoS profiles is selected.
6. The maximum size for each MLPPP class queue in units of msec at the available bundle rate is configured in the egress QoS profile. This is referred to as max in [Figure 6](#) and as max-queue-size in CLI. The out-of-profile threshold for an MLPPP class queue, referred to as oop in [Figure 6](#), is not directly configurable and is set to 50% of the maximum queue size rounded up to the nearest higher integer value.
7. The MLPPP class queue scheduling parameters is configured in the egress QoS profile. The minimum information rate, referred to as **MIR** in [Figure 7](#) and **mir** in CLI, applies to Class 1 queue only. The MIR parameter value is entered as a percentage of the available bundle rate. The WRR weight, referred to as W1, W2, and W3 in [Figure 7](#) and weight in CLI, applies to class 1, class 2, and class 3 queues. Note that W1 in [Figure 7](#) is not configurable and is internally set to a value of 1 such that Class 1 queue shares 1% of the available bundle rate when the sum of W1, W2, and W3 equals 100. W2 and W3 weights are integer values and are user configurable such that Class 2 queue shares $(W2/(W1 +$

- $W2 + W3$) and Class 3 queue shares ($W3/(W1 + W2 + W3)$) of the available bundle rate.
8. The user applies the ingress and egress QoS profiles to a 4-class MLPPP bundle for the configured QoS parameter values to take effect on the bundle.
 9. The following operations require the bundles associated with a QoS profile to be shutdown to take effect.
 - A change of the numbered ingress or egress QoS profile associated with a bundle.
 - A change of the bundle associated ingress or egress QoS profile from default profile to a numbered profile and vice-versa.
 10. The following operations can be performed without shutting down the associated bundles:
 - Changes to any parameters in the ingress and egress QoS profiles.

The CLI commands for the creation of ingress and egress QoS profiles and configuration of the individual QoS parameters are described in the 7710 SR OS Quality of Service Guide.

Cisco HDLC

Cisco HDLC (cHDLC) is an encapsulation protocol for information transfer. It is a bit-oriented synchronous data-link layer protocol that specifies a data encapsulation method on synchronous serial links using frame characters and checksums.

cHDLC monitors line status on a serial interface by exchanging keepalive request messages with peer network devices. It also allows routers to discover IP addresses of neighbors by exchanging Serial Link Address Resolution Protocol (SLARP) (see [SLARP on page 59](#)) address-request and address-response messages with peer network devices.

The basic frame structure of a cHDLC frame is shown in [Table 14](#). This frame structure is similar to PPP in an HDLC-link frame (RFC 1662, *PPP in HDLC-like Framing*). The differences to PPP in and HDLC-like frames are in the values used in the address, control, and protocol fields.

Table 14: cHDLC I-Frame

Flag	Address	Control	Protocol	Information Field	FCS
0x7E	0x0F/0x8F	0x00	—	—	16/32 bits

- Address field — The values of the address field include: 0x0F (unicast), 0x8F (broadcast).
- Control field — The control field is always set to value 0x00.
- Protocol field — The following values are supported for the protocol field:

Table 15: cHDLC Protocol Fields

Protocol	Field Value
IP	0x0800
Cisco SLARP	0x8035
ISO CLNP/ISO ES-IS DSAP/SSAP1	0xFEFE

- Information field — The length of the information field is in the range of 0 to 9Kbytes.
- FCS field — The FCS field can assume a 16-bit or 32-bit value. The default is 16-bits for ports with a speed equal to or lower than OC-3, and 32-bits for all other ports. The FCS for cHDLC is calculated in the same manner and same polynomial as PPP.

SLARP

An Alcatel-Lucent cHDLC interface will transmit a SLARP address resolution reply packet in response to a received SLARP address resolution request packet from peers. An Alcatel-Lucent cHDLC interface will not transmit SLARP address resolution request packets.

For the SLARP keepalive protocol, each system sends the other a keepalive packet at a user-configurable interval. The default interval is 10 seconds. Both systems must use the same interval to ensure reliable operation. Each system assigns sequence numbers to the keepalive packets it sends, starting with zero, independent of the other system. These sequence numbers are included in the keepalive packets sent to the other system. Also included in each keepalive packet is the sequence number of the last keepalive packet received from the other system, as assigned by the other system. This number is called the returned sequence number. Each system keeps track of the last returned sequence number it has received. Immediately before sending a keepalive packet, it compares the sequence number of the packet it is about to send with the returned sequence number in the last keepalive packet it has received. If the two differ by 3 or more, it considers the line to have failed, and will not route higher-level data across it until an acceptable keepalive response is received.

There is interaction between the SLARP address resolution protocol and the SLARP keepalive protocol. When one end of a serial line receives a SLARP address resolution request packet, it assumes that the other end has restarted its serial interface and resets its keepalive sequence numbers. In addition to responding to the address resolution request, it will act as if the other end had sent it a keepalive packet with a sequence number of zero, and a returned sequence number the same as the returned sequence number of the last real keepalive packet it received from the other end.

SONET/SDH Scrambling and C2-Byte

SONET/SDH scrambling and overhead for cHDLC follow the same rules used for POS (RFC 2615, *PPP over SONET/SDH*).

The two key SONET/SDH parameters are scrambling and signal-label (C2-byte). Scrambling is off by default. The default value of the C2-byte is 0xCF. These two parameters can be modified using the CLI. The other SONET overhead values (for example, j0) follow the same rules as the current POS implementation.

Ports

Timers

Cisco HDLC (cHDLC) has two timers associated with the protocol, the keepalive interval and the timeout interval. The keepalive interval is used to send periodic keepalive packets. The receiver process expects to receive a keepalive packet at the rate specified by the keepalive interval. The link is declared down if the receiver process does not receive a keepalive within the timeout interval. The link is declared up when the number of continual keepalive packets received equals the up-count.

It is recommended that the nodes at the two endpoints of the cHDLC link are provisioned with the same values.

Automatic Protection Switching (APS)

APS is designed to protect SONET/SDH equipment from linear unidirectional or bidirectional failures. The Network Elements (NEs) in a SONET/SDH network constantly monitor the health of the network. When a failure is detected, the network proceeds through a coordinated predefined sequence of steps to transfer (or switchover) live traffic to the backup facility (protection facility). This happens very quickly to minimize lost traffic. Traffic remains on the protection facility until the primary facility (working facility) fault is cleared, at which time the traffic may optionally be reverted to the working facility.

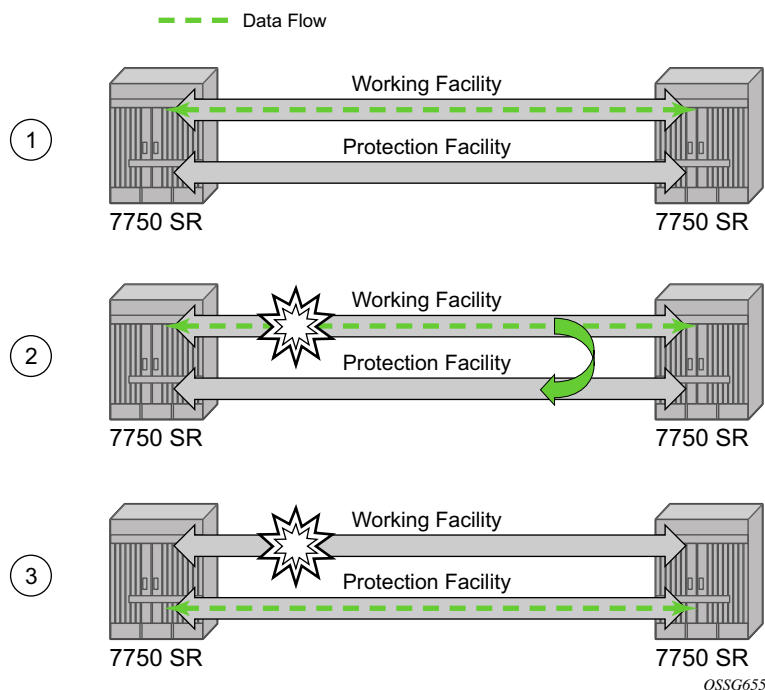


Figure 8: APS Protection (Single Chassis APS) and Switchover

Note that “facility” in the SR-OS context refers to the physical line (including intermediate transport/switching equipment) and directly attached line terminating hardware (SFP module, MDA and IOM). “Circuit” is also a term used for a link/facility (working-circuit).

A 1+1 APS group contains two circuits.

APS is configured on a port by port basis. If all ports on an MDA or IOM need to be protected then each port on the MDA or IOM must be individually added into an APS group.

Working and protection circuits can be connected to a variety of types of network elements (ADMs, DACSes, ATM switches, routers) and serve as an access or network port providing one or more services or network interfaces to the router. APS-protected SONET/SDH ports may be further channelized, and may contain bundled channels MLPPP or IMA Bundle Protection Groups). The ports may be one of a variety of encapsulation types as supported by the MDA including PPP, ATM, FR and more. For a definitive description of the MDAs, port types, switching modes, bundles and encapsulations supported with APS see [APS Applicability, Restrictions and Interactions on page 79](#).

This section discusses the different APS architectures and their implementations.

- [Single Chassis and Multi-Chassis APS on page 63](#)
- [APS Switching Modes on page 66](#)
- [APS Channel and SONET Header K Bytes on page 70](#)
- [Revertive Switching on page 74](#)
- [Bidirectional 1+1 Switchover Operation Example on page 74](#)
- [Protection of Upper Layer Protocols and Services on page 75](#)
- [APS User-Initiated Requests on page 76](#)
- [APS and SNMP on page 78](#)
- [APS Applicability, Restrictions and Interactions on page 79](#)
- [Sample APS Applications on page 83](#)

Single Chassis and Multi-Chassis APS

APS can operate in a single chassis configuration (SC-APS) or in a multi-chassis configuration (MC-APS).

An SC-APS group can span multiple ports, MDAs or IOMs within a single node whereas as MC-APS can span two separate nodes.

Table 16: SC-APS versus MC-APS Protection

	Single Chassis APS	Multi-Chassis APS
Short form name	SC-APS	MC-APS
Link failure protection (including intermediate transmission equipment failure)	Yes	Yes
Optical/electrical module (SPF, XPF) failure protection	Yes	Yes
MDA failure protection	Yes	Yes
IOM failure protection	Yes	Yes
Node failure protection	No	Yes

The support of SC-APS and MC-APS depends on switching modes, MDAs, port types and encaps. For a definitive description of the MDAs, port types, switching modes, bundles and encapsulations supported with APS, see [APS Applicability, Restrictions and Interactions on page 79](#).

APS on a Single Node (SC-APS)

In a single chassis APS both circuits of an aps group are terminated on the same node.

The working and protect lines of a single chassis APS group can be:

- Two ports on the same MDA.
- Two ports on different MDAs but on the same IOM.
- Two ports on different MDAs on two different IOMs (installed in different slots).

If the working and protection circuits are on the same MDA, protection is limited to the physical port and the media connecting the two devices. If the working and protection circuits are on different IOMs then protection extends to MDA or IOM failure. [Figure 9](#) shows a configuration that provides protection against circuit, port, MDA or IOM failure on the 7750 SR connected to an Add-Drop-Multiplexer (ADM).

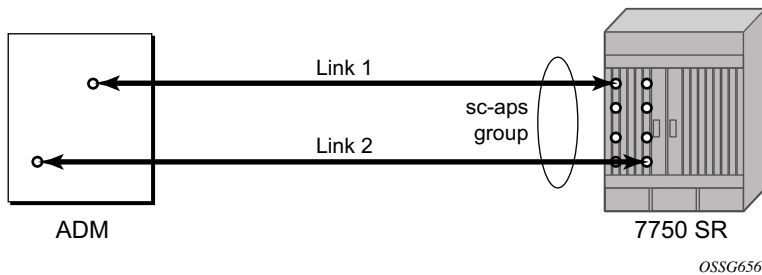


Figure 9: SC-APS Group with MDA and IOM Protection

APS Across Two Nodes (MC-APS)

Multi-Chassis APS functionality extends the protection offered by SC-APS to include protection against nodal (7750 SR) failure by configuring the working circuit of an APS group on one 7750 SR node while configuring the protect circuit of the same APS group on a different 7750 SR node.

These two nodes connect to each other with an IP link that is used to establish an MC-APS signalling path between the two 7750 SRs. Note that the working circuit and the protect circuit must have compatible configurations (such as the same speed, framing, and port-type). The relevant APS groups in both the working and protection routers must have same group ID, but they can have different names (for example, group port descriptions). Although the working and protection routers can be different platforms (7750 SR-7 and a 7750 SR-c12), switchover performance may be impacted so it is recommended to avoid a mix of platforms in the same MC-APS group where possible. The configuration consistency between the working circuit/router and

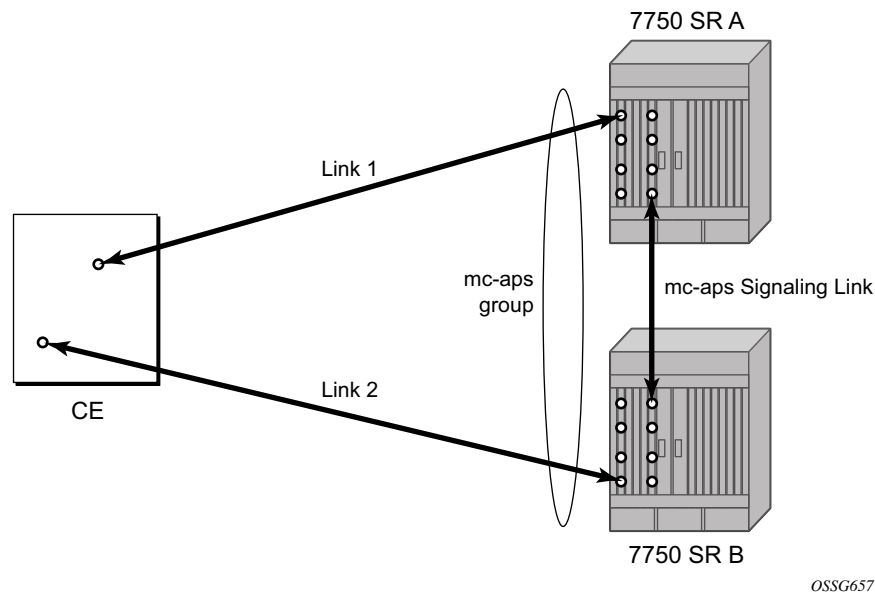
the protection circuit/router is not enforced by the 7750 SR. Service or network-specific configuration data is not signalled nor synchronized between the two service routers.

Signalling is provided using the direct connection between the two service routers. A heartbeat protocol can be used to add robustness to the interaction between the two routers. Signalling functionality includes support for:

- APS group matches between service routers.
- Verification that one side is configured as a working circuit and the other side is configured as the protect circuit. In case of a mismatch, a trap (incompatible neighbor) is generated.
- Change in working circuit status is sent from the working router to keep the protect router in sync.
- Protect router, based on K1/K2 byte data, member circuit status, and external request, selects the active circuit, and informs the working router to activate or de-activate the working circuit.

Note that external requests like lockout, force, and manual switches are allowed only on the APS group having the protection circuit.

The [Figure 10](#) illustrates a Multi-Chassis APS group being used to protect against link, port, MDA, IOM or node failure.



OSSG657

Figure 10: MC-APS Group Protects Against Node Failure

APS Switching Modes

APS behavior and operation differs based on the switching mode configured for the APS group. Several switching modes are supported in SR-OS.

The switching mode affects how the two directions of a link behave during failure scenarios and how APS tx operates.

Unidirectional / Bidirectional configuration must be the same at both sides of the APS group. The APS protocol (K byte messages) exchange switching mode information to ensure that both nodes can detect a configuration mismatch.

- If one end of an APS group is configured in a Unidirectional mode (Uni 1+1 Sig APS or Uni 1+1 Sig+Data APS) then the other end must also be configured in a Unidirectional mode (Uni 1+1 Sig+Data APS).
- If one end of an APS group is configured in a Bidirectional mode then the other end must also be configured in Bidirectional mode.

Table 17: APS Switching Modes

	Bidirectional 1+1 Signalling APS	Unidirectional 1+1 Signalling APS	Unidirectional 1+1 Signalling and Datapath APS
Short form name	Bidir 1+1 Sig APS	Uni 1+1 Sig APS	Uni 1+1 Sig+Data APS
CLI keyword	bi-directional	uni-directional	uni-1plus1
Interworks with a standards compliant APS implementation	Yes	Yes	Yes
Full 1+1 APS standards-based signalling	Yes	Yes	Yes
Data is transmitted simultaneously on both links/circuits (1+1 Data)	No	No	Yes

The support of switching modes depends on SC-APS / MC-APS, MDAs, port types and encaps. For a definitive description of the MDAs, port types, switching modes, bundles and encapsulations supported with APS, see [APS Applicability, Restrictions and Interactions on page 79](#).

Bidirectional 1+1 Signalling APS

In Bidir 1+1 Sig APS switching mode the Tx data is sent on the active link only (it is not bridged to both links simultaneously). 1+1 signalling, however, is used for full interoperability with signalling-compliant 1+1 architectures.

In the ingress direction (Rx), the decision to accept data from either the working or protection circuit is based on both locally detected failures/degradation and on what circuit the far-end is listening on (as indicated in the K bytes). If the far-end indicates that it has switched its active receiver, then the local SR-OS node will also switch its receiver (and Tx) to match the far-end. If the local Rx changes from one circuit to another it notifies the far end using the K bytes.

In the egress direction (Tx), the data is only transmitted on the active circuit. If the active Rx changes, then Tx will also change to the same circuit.

Bidirectional 1+1 Signalling APS ensures that both directions of active data flow (including both Rx) are using the same link/circuit (using the two directions of the same fiber pair) as required by the APS standards. If one end of the aps group changes the active receiver, it will signal the far end using the K bytes. The far end will then also change its receiver to listen on the same circuit.

Because the router transmits on active circuits only and keeps active TX and RX on the same port, both local and remote switches are required to restore the service.

The APS channel (bytes K1 and K2 in the SONET header – K bytes) is used to exchange requests and acknowledgments for protection switch actions. In Bidirectional 1+1 Signalling APS switching mode, the router sends correct status on the K bytes and requires the far-end to also correctly update/send the K-bytes to ensure that data is transmitted on the circuit on which the far-end has selected as its active receiver.

Line alarms are processed and generated independently on each physical circuit.

In Bidirectional 1+1 Signalling APS mode, the highest priority local request is compared to the remote request (received from the far end node using an APS command in the K bytes), and whichever has the greater priority is selected. The relative priority of all events that affect APS 1+1 protection is listed in the [Table 18 on page 70](#) in descending order. The requests can be automatically initiated (such as signal failure or signal degrade), external (such as lockout, forced switch, request switch), and state requests (such as revert-time timers, etc.).

Unidirectional 1+1 Signalling APS

In Uni 1+1 Sig APS switching mode the Tx data is sent on the active link only (it is not bridged to both links simultaneously). 1+1 signalling, however, is used for full interoperability with signalling-compliant 1+1 architectures.

In the ingress direction (Rx), the decision to accept data from either the working or protection circuit is based on both locally detected failures/degradation and on what circuit the far-end is listening on (as indicated in the K bytes). Although it is not required in the APS standards, the SR-OS implementation of Unidirectional 1+1 Signalling APS uses standards based signaling to keep both the Rx and Tx on the same circuit / port. If the far-end indicates that it has switched its active receiver, then the local SR-OS node will also switch its receiver (and Tx) to match the far-end. If the local Rx changes from one circuit to another it notifies the far end using the K bytes.

In the egress direction (Tx), the data is only transmitted on the active circuit. If the active Rx changes, then Tx will also change to the same circuit.

Because the router transmits on active circuits only and keeps active TX and RX on the same port, both local and remote switches are required to restore the service. For a single failure a data outage is limited to a maximum of 100 milliseconds.

The APS channel (bytes K1 and K2 in the SONET header – K bytes) is used to exchange requests and acknowledgments for protection switch actions. In Unidirectional 1+1 Signalling APS switching mode, the router sends correct status on the K bytes and requires the far-end to also correctly update/send the K-bytes to ensure that data is transmitted on the circuit on which the far-end has selected as its active receiver.

Line alarms are processed and generated independently on each physical circuit.

In Unidirectional 1+1 Signalling APS switching mode:

- K-bytes are generated/transmitted based on local request/condition only (as required by the APS signalling).
- Local request priority is compliant to 1+1 U-APS specification.
- RX and TX are always forced on to the same (active) circuit (bi-directional). This has the following caveats:
 - If an APS switch is performed due to a local condition, then the TX direction will be moved as well to the newly selected RX circuit (old inactive). The router will send LAIS on the old active TX circuit to force the remote end to APS switch to the newly active circuit. Note that some local request may not cause an APS switch when a remote condition prevents both RX and TX direction to be on the same circuit (for example an SD detected locally on a working circuit will not cause a switch if the protection circuit is locked out by the remote end).

- If the remote end indicates an APS switch and the router can RX and TX on the circuit newly selected by the remote end, then the router will move its TX direction and will perform an APS switch of its RX direction (unless the router already TX and RX on the newly selected circuit).
- If the remote end indicates an APS switch and the router cannot RX and TX on the circuit newly selected by the remote end (for example due to a higher priority local request, like a force request or manual request, etc.), then L-AIS are sent on the circuit newly selected by the remote end to force it back to the previously active circuit.
- The sent L-AIS in the above cases can be either momentary or persistent. The persistent L-AIS is sent under the following conditions:
 - On the protection circuit when the protection circuit is inactive and cannot be selected due to local SF or Lockout Request.
 - On the working circuit as long as the working circuit remains inactive due to a local condition. The persistent L-AIS is sent to prevent revertive switching at the other end.

In all other cases a momentary L-AIS is sent. SR-OS provides debugging information that informs operators about the APS-induced L-AIS.

Unidirectional 1+1 Signalling and Datapath APS

Uni 1+1 Sig+Data APS supports unidirectional switching operations, 1+1 signaling and 1+1 data path.

In the ingress direction (Rx) switching is done based on local requests only as per the APS specifications. K-bytes are used to signal the far end the APS actions taken.

In the egress direction (Tx), the data is transmitted on both active and protecting circuits.

Each end of the aps group may be actively listening on a different circuit.

The APS channel (bytes K1 and K2 in the SONET header) is used to exchange APS protocol messages.

In Uni 1+1 Sig+Data APS a received L-RDI signal on the active circuit does not cause that circuit (port) to be placed out of service. The APS group can continue to use that circuit as the active receiver. This behavior is not configurable.

Uni 1+1 Sig+Data APS also supports configurable:

- Debounce timers for signal failure and degradation conditions
- Suppression of L-RDI alarm generation

APS Channel and SONET Header K Bytes

The APS channel (bytes K1 and K2 in the SONET header) is used to exchange APS protocol messages for all APS modes.

K1 Byte

The switch priority of a request is assigned as indicated by bits 1 through 4 of the K1 byte (as described in the rfc3498 APS-MIB).

Table 18: K1 Byte, Bits 1-4: Type of Request

Bit 1234	Condition
1111	Lockout of protection
1110	Force switch
1101	SF - High priority
1100	SF - Low priority
1011	SD - High priority
1010	SD - Low priority
1001	(not used)
1000	Manual switch
0111	(not used)
0110	Wait-to-restore
0101	(not used)
0100	Exercise
0011	(not used)
0010	Reverse request
0001	Do not revert
0000	No request

The channel requesting switch action is assigned by bits 5 through 8. When channel number 0 is selected, the condition bits show the received protection channel status. When channel number 1 is selected, the condition bits show the received working channel status. Channel values of 0 and 1 are supported.

[Table 19](#) displays bits 5-8 of a K1 byte and K2 Bits 1-4 and the channel number code assignments.

Table 19: K1 Byte, Bits 5-8 (and K2 Bits 1-4), Channel Number Code Assignments

Channel Number Code	Channel and Notes
0	Null channel. SD and SF requests apply to conditions detected on the protection line. For 1+1 systems, Forced and Request Switch requests apply to the protection line. Only code 0 is used with Lockout of Protection request.
1 — 14	Working channel. Only code 1 applies in a 1+1 architecture. Codes 1 through n apply in a 1:n architecture. SD and SF conditions apply to the corresponding working lines.
15	Extra traffic channel. May exist only when provisioned in a 1:n architecture. Only No Request is used with code 15.

K2 Byte

The K2 byte is used to indicate the bridging actions performed at the line-terminating equipment (LTE), the provisioned architecture and mode of operation.

The bit assignment for the K2 byte is listed in [Table 20](#).

Table 20: K2 Byte Functions

Bits 1-8	Function
1 — 4	Channel number.
5	0 Provisioned for 1+1 mode. 1 Provisioned for 1:n mode.
6-8	111 Line AIS 110 Line RDI 101 Provisioned for bi-directional switching 100 Provisioned for uni-directional switching 011 (reserved for future use) 010 (reserved for future use) 001 (reserved for future use) 000 (reserved for future use)

Differences in SONET/SDH Standards for K Bytes

SONET and SDH standards are slightly different with respect to the behavior of K1 and K2 Bytes.

Table 21 depicts the differences between the two standards.

Table 21: Differences Between SONET and SDH Standards

	SONET	SDH	Comments
SONET/SDH standards use different codes in the transmitted K1 byte (bits 1-4) to notify the far-end of a signal fail/signal degrade detection.	1100 for signal fail 1010 for signal degrade 1101 unused 1011 unused	1101 for signal fail 1011 for signal degrade 1100 unused 1010 unused	None
SONET systems signal the switching mode in bits 5-8 of the K2 byte whereas SDH systems do not signal at all.	101 for bi-dir 100 for uni-dir	Not used. 000 is signaled in bits 5 to 8 of K2 byte for both bi-directional as well as uni-directional switching.	SONET systems raise a mode mismatch alarm as soon as a mismatch in the TX and RX K2 byte (bits 5 to 8) is detected. SDH systems do not raise the mode mismatch alarm.

Failures Indicated by K Bytes

The following sections describe failures indicated by K bytes.

APS Protection Switching Byte Failure

An APS Protection Switching Byte (APS-PSB) failure indicates that the received K1 byte is either invalid or inconsistent. An invalid code defect occurs if the same K1 value is received for 3 consecutive frames (depending on the interface type (framer) used, the 7710 SR may not be able to strictly enforce the 3 frame check per GR-253 and G.783/G.841) and it is either an unused code or irrelevant for the specific switching operation. An inconsistent APS byte defect occurs when no three consecutive received K1 bytes of the last 12 frames are the same.

If the failure detected persists for 2.5 seconds, a Protection Switching Byte alarm is raised. When the failure is absent for 10 seconds, the alarm is cleared. This alarm can only be raised by the active port operating in bi-directional mode.

APS Channel Mismatch Failure

An APS channel mismatch failure (APS-CM) identifies that there is a channel mismatch between the transmitted K1 and the received K2 bytes. A defect is declared when the received K2 channel number differs from the transmitted K1 channel number for more than 50 ms after three identical K1 bytes are sent. The monitoring for this condition is continuous, not just when the transmitted value of K1 changes.

If the failure detected persists for 2.5 seconds, a channel mismatch failure alarm is raised. When the failure is absent for 10 seconds, the alarm is cleared. This alarm can only be raised by the active port operating in a bi-directional mode.

APS Mode Mismatch Failure

An APS mode mismatch failure (APS-MM) can occur for two reasons. The first is if the received K2 byte indicates that 1:N protection switching is being used by the far-end of the OC-N line, while the near end uses 1+1 protection switching. The second is if the received K2 byte indicates that uni-directional mode is being used by the far-end while the near-end uses bi-directional mode.

This defect is detected within 100 ms of receiving a K2 byte that indicates either of these conditions. If the failure detected persists for 2.5 seconds, a mode mismatch failure alarm is raised. However, it continues to monitor the received K2 byte, and should it ever indicate that the far-end has switched to a bi-directional mode the mode mismatch failure clearing process starts. When the failure is absent for 10 seconds, the alarm is cleared, and the configured mode of 1+1 bidirectional is used.

APS Far-End Protection Line Failure

An APS far-end protection line (APS-FEPL) failure corresponds to the receipt of a K1 byte in 3 consecutive frames that indicates a signal fail (SF) at the far end of the protection line. This forces the received signal to be selected from the working line.

If the failure detected persists for 2.5 seconds, a far-end protection line failure alarm is raised. When the failure is absent for 10 seconds, the alarm is cleared. This alarm can only be raised by the active port operating in a bi-directional mode.

Revertive Switching

The APS implementation also provides the revertive and non-revertive modes with non-revertive switching as the default option. In revertive switching, the activity is switched back to the working port after the working line has recovered from a failure (or the manual switch is cleared). In non-revertive switching, a switch to the protection line is maintained even after the working line has recovered from a failure (or if the manual switch is cleared).

A revert-time is defined for revertive switching so frequent automatic switches as a result of intermittent failures are prevented. A change in this value takes effect upon the next initiation of the wait to restore (WTR) timer. It does not modify the length of a WTR timer that has already been started. The WTR timer of a non-revertive switch can be assumed to be infinite.

In case of failure on both working and the protection line, the line that has less severe errors on the line will be active at any point in time. If there is signal degrade on both ports, the active port that failed last will stay active. When there is signal failure on both ports, the working port will always be active. The reason is that the signal failure on the protection line is of a higher priority than on the working line.

Bidirectional 1+1 Switchover Operation Example

[Table 22](#) outlines the steps that a bi-directional protection switching process will go through during a typical automatic switchover.

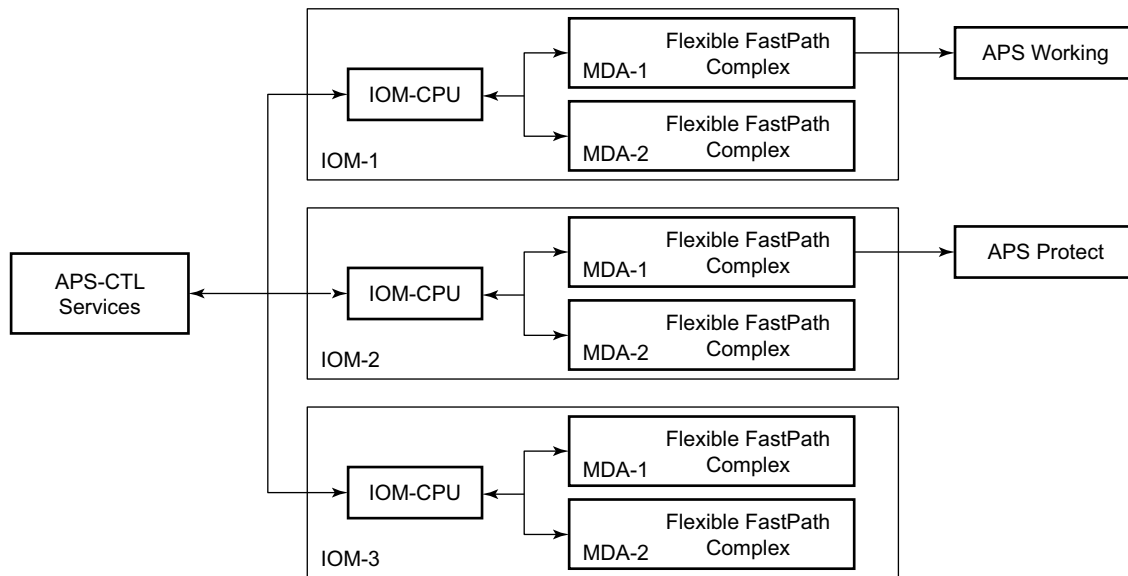
Table 22: Actions for the Bi-directional Protection Switching Process

Status	APS Commands Sent in K1 and K2 Bytes on Protection Line		Action	
	B -> A	A -> B	At Site B	At Site A
No failure (Protection line is not in use)	No request	No request	No action	No action
Working line Degraded in direction A->B	SD on working channel 1	No request	Failure detected, notify A and switch to protection line.	No action
Site A receives SD failure condition	Same	Reverse request	No action	Remote failure detected, acknowledge and switch to protection line.
Site B receives Reverse request	Same	Same	No action	No action

Protection of Upper Layer Protocols and Services

APS prevents upper layer protocols and services from being affected by the failure of the active circuit.

The following example with figures and description illustrate how services are protected during a single-chassis APS switchover.



Fig_4

Figure 11: APS Working and Protection Circuit Example

Figure 11 is an example in which the APS working circuit is connected to IOM-1 / MDA-1 and the protection circuit is connected to IOM-2 / MDA-1. In this example, assume that the working circuit is currently used to transmit and receive data.

Switchover Process for Transmitted Data

For packets arriving on all interfaces that need to be transmitted over APS protected interfaces, the next hop associated with all these interfaces are programmed in all Flexible Fast-Path complexes in each MDA with a logical next-hop index. This next hop-index identifies the actual next-hop information used to direct traffic to the APS working circuit on IOM-1 / MDA-1.

All Flexible Fast-Path complexes in each MDA are also programmed with next hop information used to direct traffic to the APS protect circuit on IOM-2/MDA-1. When the transmitted data needs to be switched from the working to the protect circuit, only the relevant next hop indexes

need to be changed to the pre-programmed next-hop information for the protect circuit on IOM-2 / MDA-1.

Although the control CFM/CPM on the SF/CPM blade initiates the changeover between the working to protect circuit, the changeover is transparent to the upper layer protocols and service layers that the switchover occurs.

Physical link monitoring of the link is performed by the CPU on the relevant IOM for both working and protect circuits.

Switchover Process for Received Data

The Flexible Fast-Path complexes for both working and protect circuits are programmed to process ingress. The inactive (protect) circuit however is programmed to ignore all packet data. To perform the switchover from working circuit to the protect circuit the Flexible Fast-Path complex for the working circuit is set to ignore all data while the Flexible Fast-Path complex of the protect circuit will be changed to accept data.

The ADM or compatible head-end transmits a valid data signal to both the working and protection circuits. The signal on the protect line will be ignored until the working circuit fails or degrades to the degree that requires a switchover to the protect circuit. When the switchover occurs all services including all their QoS and filter policies are activated on the protection circuit.

APS User-Initiated Requests

The following sections describe APS user-initiated requests.

Lockout Protection

The lockout of protection disables the use of the protection line. Since the **tools>perform>aps>lockout** command has the highest priority, a failed working line using the protection line is switched back to itself even if it is in a fault condition. No switches to the protection line are allowed when locked out.

Request Switch of Active to Protection

The request or manual switch of active to protection command switches the active line to use the protection line unless a request of equal or higher priority is already in effect. If the active line is already on the protection line, no action takes place.

Request Switch of Active to Working

The request or manual switch of active to working command switches the active line back from the protection line to the working line unless a request of equal or higher priority is already in effect. If the active line is already on the working line, no action takes place.

Forced Switching of Active to Protection

The forced switch of active to protection command switches the active line to the protection line unless a request of equal or higher priority is already in effect. When the forced switch of working to protection command is in effect, it may be overridden either by a lockout of protection or by detecting a signal failure on the protection line. If the active line is already on the protection line, no action takes place.

Forced Switch of Active to Working

The forced switch of active to working command switches the active line back from the protection line to the working unless a request of equal or higher priority is already in effect.

Exercise Command

The exercise command is only supported in the bi-directional mode of the 1+1 architecture. The exercise command is specified in the **tools>perform>aps>force>exercise** context and exercises the protection line by sending an exercise request over the protection line to the tail-end and expecting a reverse request response back. The switch is not actually completed during the exercise routine.

APS and SNMP

SNMP Management of APS uses the APS-MIB (from rfc3498) and the TIMETRA-APS-MIB.

[Table 23](#) shows the mapping between APS switching modes and MIB objects.

Table 23: Switching Mode to MIB Mapping

switching-mode	TIMETRA-APS-MIB tApsProtectionType	APS-MIB apsConfigDirection
Bidir 1+1 Sig APS (bi-directional)	onePlusOneSignalling (1)	bidirectional (2)
Uni 1+1 Sig APS (uni-directional)	onePlusOneSignalling (1)	unidirectional (1)
Uni 1+1 Sig+Data APS (uni-1plus1)	onePlusOne (2)	unidirectional (1)

APS Applicability, Restrictions and Interactions

Note: The Release Notes for the relevant SR-OS release should be consulted for details about APS restrictions.

Table 24: Supported APS Mode Combinations

	Bidirectional 1+1 Signalling APS	Unidirectional 1+1 Signalling APS	Unidirectional 1+1 Signalling and Datapath APS
Single Chassis APS (SC-APS)	Supported	Supported	Supported (for 7750 SR-c4/ 12 platforms only)
Multi-Chassis APS (MC-APS)	Supported	Not supported	Not supported

APS and Bundles

Bundles (such as IMA and MLPPP) can be protected with APS through the use of Bundle Protection Groups (BPGRP). For APS-protected bundles, all members of a working bundle must reside on the working port of an APS group. Similarly all members of a protecting bundle must reside on the protecting circuit of that APS group.

IMA APS protection is supported only when the router is connected to another piece of equipment (possibly through an ADM) running a single IMA instance at the far end. By design, the IMA APS implementation is expected to keep the IMA protocol up as long as the far end device can tolerate some frame loss. Similarly, the PPP protocol state machine for PPP channels and MLPPP bundles remains UP when a switchover occurs between the working and protect circuits.

When APS protects IMA groups, IMA control cells, but not user traffic, are sent on the inactive circuit (as well as the active) to keep the IMA protocol up during an APS switch.

For details on MLFR/FRF.12 support with APS see the *MLFR/FRF.12 Support of APS, BFD, and Mirroring Features* section.

APS Switchover Impact on Statistics

All SAP-level statistics are retained with an APS switch. A SAP will reflect the data received regardless of the number of APS switches that has occurred. ATM statistics, however, are cleared after an APS switch. Thus, any ATM statistics viewed on an APS port are only the statistics since the current active member port became active.

Physical layer packet statistics on the APS group reflect what is currently on the active member port.

Port and path-level statistics follow the same behavior as described above.

Any SONET physical-layer statistics (for example, B1,B2,B3,...) on the APS port are only what is current on the active APS member port.

Supported APS MDA/Port Combinations

Table 25 displays examples of the port types that can be paired to provide APS protection. Both ports must be the same type and must be configured at the same speed.

Table 25: MDA/Port Type Pairing for APS

MDA Type	Unchannelized SONET/SDH (POS) For example: m16-oc12/3-sfp	ATM For example: m4-atmoc12/3-sfp	Circuit Emulation (CES) For example: m4-choc3-ces-sfp	Channelized Any Service Any Port (ASAP) For example: m1-choc12-as-sfp
Unchannelized SONET/SDH (POS) For example: m16-oc12/3-sfp	Supported			
ATM For example: m4-atmoc12/3-sfp		Supported		
Circuit Emulation (CES) For example: m4-choc3-ces-sfp			Supported	
Channelized Any Service Any Port (ASAP) For example: m1-choc12-as-sfp				Supported

For example, an APS group can be comprised of a pair of ports where each port is on one of the two following MDAs:

- m16-atmoc3-sfp
- m4-atmoc12/3-sfp (port in oc3 mode)

For example, an APS group can not be comprised of a pair of ports where one port is on an m16-oc12/3-sfp and the other port is on an m1-choc12-as-sfp.

APS Switchover During CFM/CPM Switchover

An APS switchover immediately before, during or immediately after a CFM/CPM switchover may cause a longer outage than normal.

Removing or Failure of a Protect MDA

The detection of a CMA/MDA removal or a CMA/MDA failure can take additional time. This can affect the APS switchover time upon the removal or failure of a protection CMA/MDA. If the removal is scheduled during maintenance, it is recommended that the port and/or protect circuit be shutdown first to initiate an APS switchover before the CMA/MDA maintenance is performed.

Mirroring Support

Mirroring parameters configured on a specific port or service, are maintained during an APS failover.

Sample APS Applications

The following sections provide sample APS application examples.

Sample APS Application: MLPPP with SC-APS and MC-APS on Channelized Interfaces

7750 and 7710 service routers support APS on channelized interfaces. This allows Alcatel-Lucent's service routers to be deployed as the radio access network (RAN) aggregation router which connects the base transceiver station (BTS) and the radio network controller (RNC).

Figure 12 displays an example of MLPPP termination on APS protected channelized OC-n/STM-n links. This example illustrates the following:

- SC-APS (the APS circuits terminate on the same node aggregation router A).
- APS protecting MLPPP bundles (bundles are between the BTS and aggregation router A, but APS operates on the Sonet links between the DACS and the aggregation router).
- APS on channelized access interfaces (OC-3/OC-12 links)

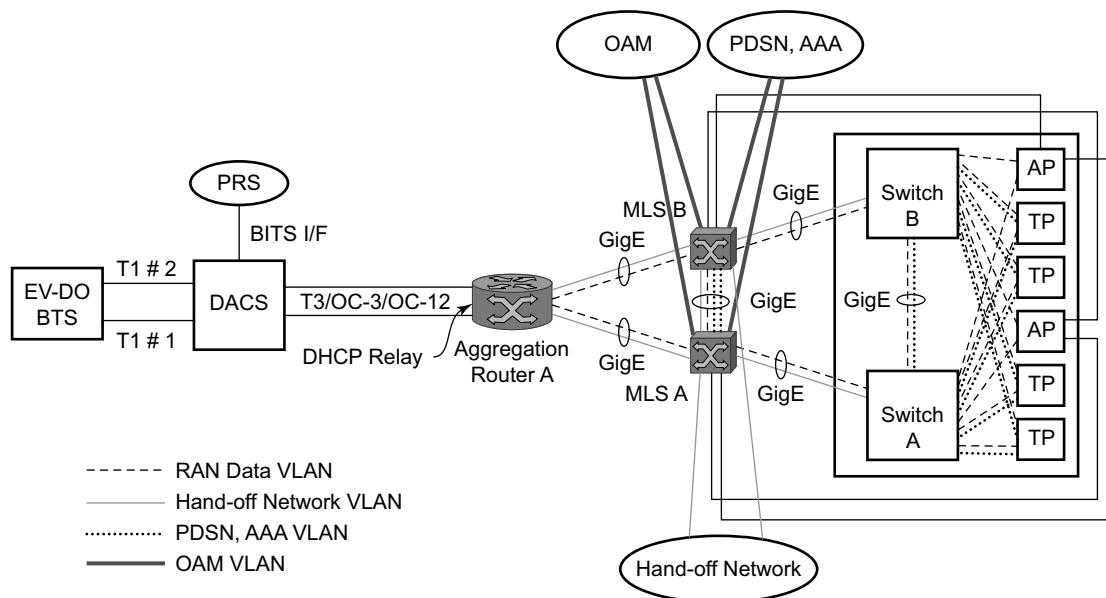


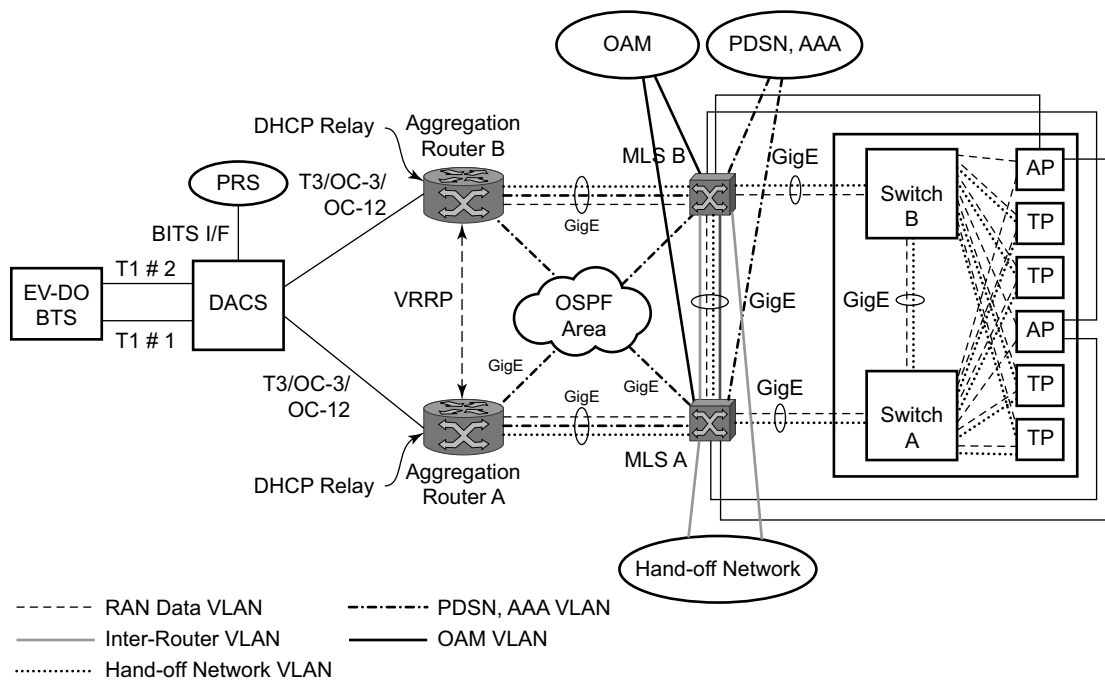
Figure 12: SC-APS MLPPP on Channelized Access Interfaces Example

Figure 13 depicts an APS group between a digital access cross-connect system (DACS) and a pair of aggregation routers. At one end of the APS group both circuits (OC-3/STM-1 and/or OC-12/STM-4 links) are terminated on the DACS and at the other end each circuit is terminated on a

different aggregation routers to provide protection against router failure. The MLPPP bundle operates between the BTS and the aggregation routers. The MLPPP bundle operates between the BTS and the aggregation routers. At any one time only one of the two aggregation routers is actually terminating the MLPPP bundle (whichever aggregation router is processing the active APS circuit).

This example illustrates the following:

- MC-APS (the APS circuits terminate on different aggregation routers)
- APS protecting MLPPP bundles (bundles are between the BTS and the aggregation routers but APS operates on the Sonet links between the DACS and the aggregation routers)
- APS on channelized access interfaces (OC-3/OC-12 links)



OSSG143

Figure 13: MC-APS MLPPP on Channelized Access Interfaces Example

Sample APS Application: MC-APS for ATM SAP with ATM VPLS Service

In [Figure 14](#), service router A is connected to the ATM switch or 7670 through an OCx ATM 1 link. This link is configured as the working circuit. Service router B is connected to the same ATM switch or 7670 through an OCx ATM 2 link. This link is configured as the protection circuit.

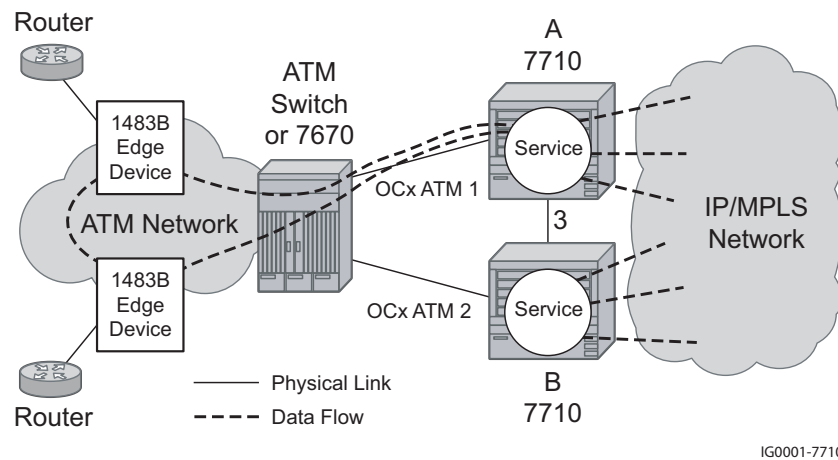


Figure 14: Multi-Chassis APS Application

Communication between service routers A and B is established through link 3. This link is for signalling. To guarantee optimum fail-over time between service routers A and B, link 3 must be a direct physical link between routers A and B.

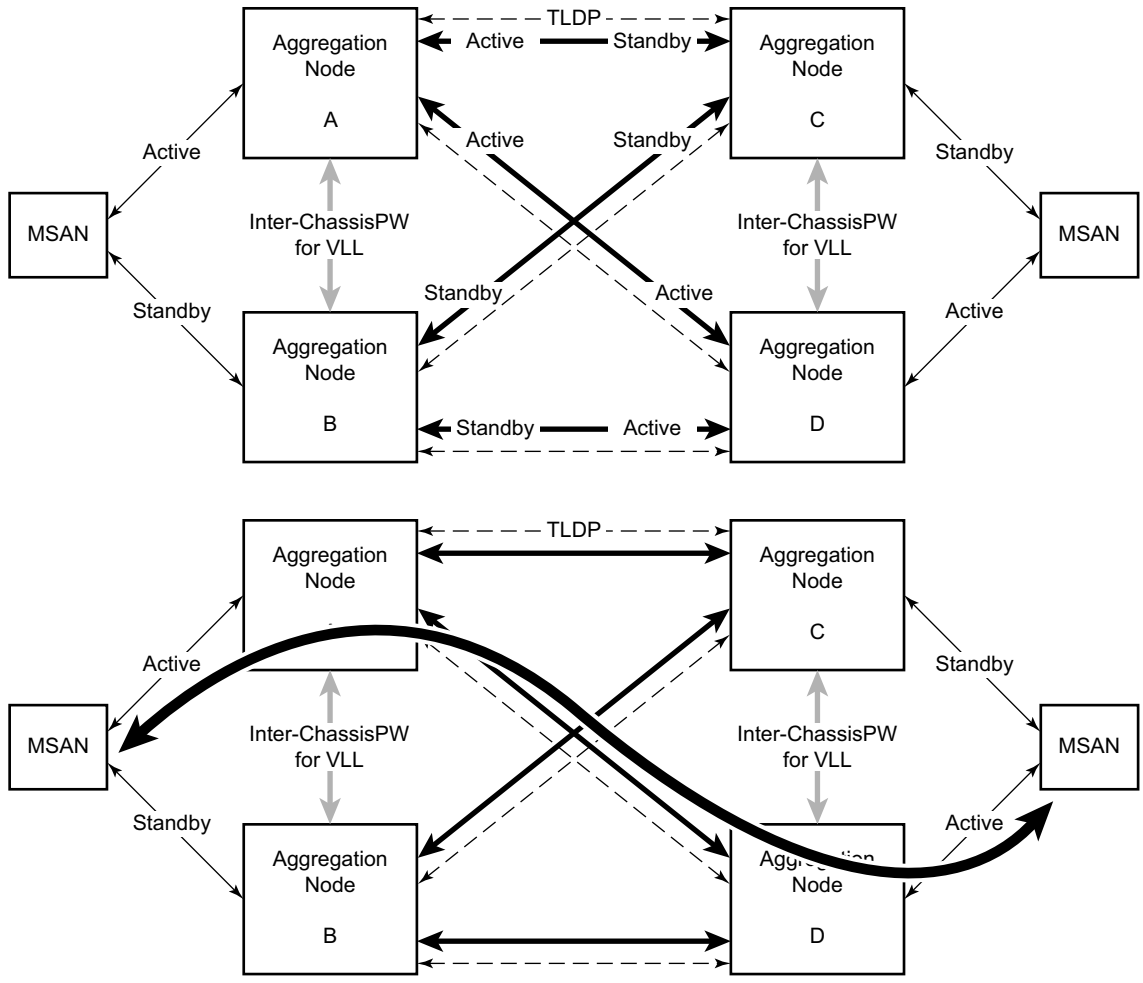
Sample APS Application: MC-APS with VLL Redundancy

Support of MC-APS to ATM VLLs and Ethernet VLL with ATM SAPs allows MC-APS to operate with pseudowire redundancy in a similar manner that MC-LAG operates with pseudowire redundancy.

The combination of these features provides a solution for access node redundancy and network redundancy as shown in [Figure 15](#).

MC-APS groups are configured as follows:

- MC-APS group between the MSAN on the left and Aggregation Nodes A & B
- MC-APS group between the MSAN on the right and Aggregation Nodes C & D



Fig_3

Figure 15: Access and Node and Network Resilience

An example of a customer application in the mobile market is displayed in [Figure 16](#).

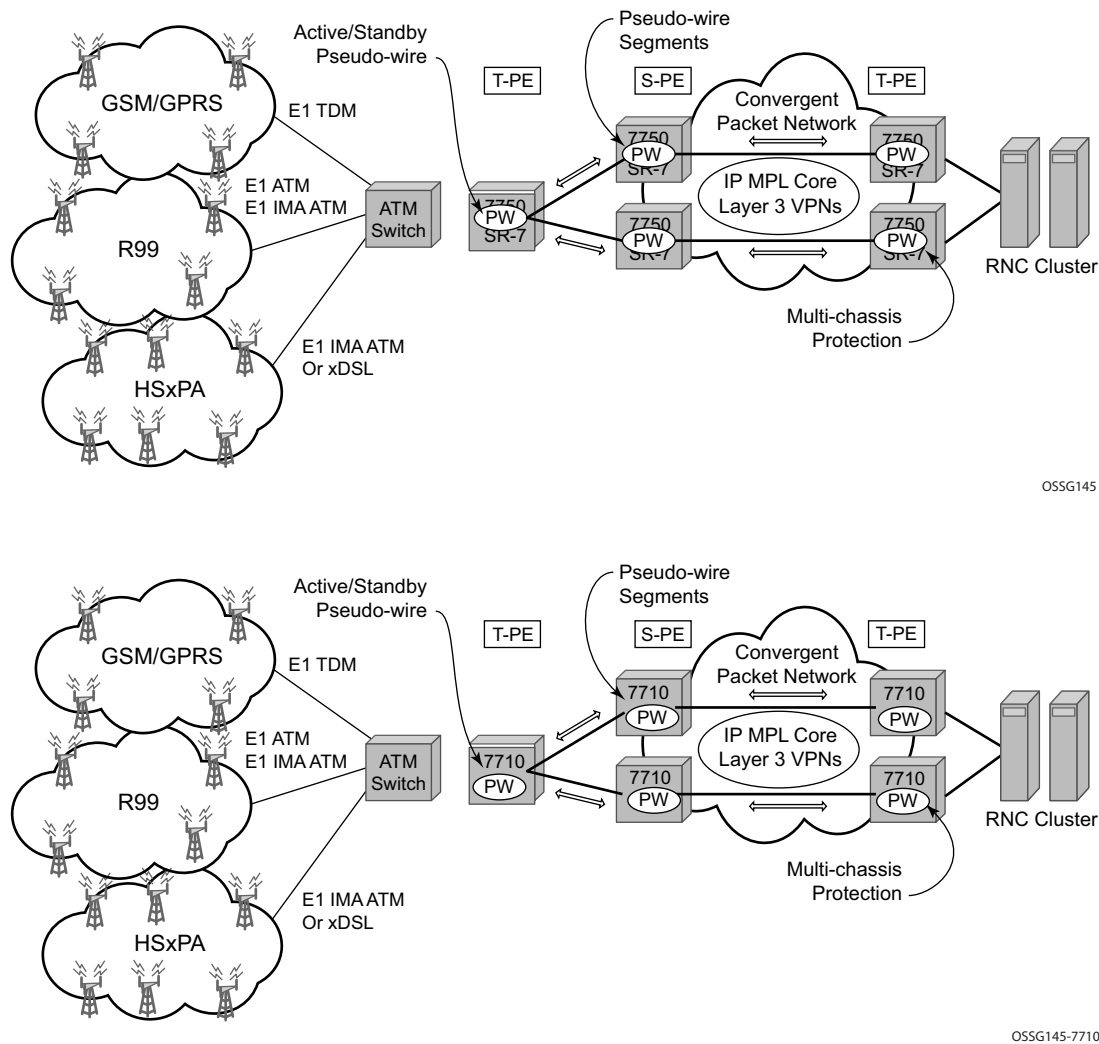


Figure 16: MC-APS with ATM VLL Redundancy

In the application show in [Figure 16](#), 2G and 3G cell sites are aggregated into a Tier 2 or Tier 3 hub site before being backhauled to a Tier 1 site where the radio network controller (RNC) which terminates user calls is located. This application combines MC-APS on the RNC access side and pseudowire redundancy and pseudowire switching on the core network side. pseudowire switching is used in order to separate the routing domains between the access network and the core network.

Ethernet Local Management Interface (E-LMI)

The Ethernet Local Management Interface (E-LMI) protocol is defined in Metro Ethernet Forum (MEF) technical specification MEF16. This specification largely based on Frame Relay - LMI defines the protocol and procedures that convey the information for auto-configuration of a CE device and provides the means for EVC status notification. MEF16 does not include link management functions like Frame Relay LMI does. In the Ethernet context that role is already accomplished with Clause 57 Ethernet OAM (formerly 802.3ah).

The SR OS currently implements the User Network Interface-Network (UNI-N) functions for status notification supported on Ethernet access ports with dot1q encapsulation type. Notification related to status change of the EVC and CE-VLAN ID to EVC mapping information is provided as a one to one between SAP and EVC.

The E-LMI frame encapsulation is based on IEEE 802.3 untagged MAC frame format using an ether-type of 0x88EE. The destination MAC address of the packet 01-80-C2-00-00-07 will be dropped by any 802.1d compliant bridge that does not support or have the E-LMI protocol enabled. This means the protocol cannot be tunneled.

Status information is sent from the UNI-N to the UNI-C, either because a status enquiry was received from the UNI-C or unsolicited. The Active and Not Active EVC status are supported. The Partially Active state is left for further study.

The bandwidth profile sub-information element associated with the EVC Status IE does not use information from the SAP QoS policy. A value of 0 is used in this release as MEF 16 indicates the bandwidth profile sub-IE is mandatory in the EVC Status IE. The EVC identifier is set to the description of the SAP and the UNI identifier is set to the description configured on the port. Further, the implementation associates each SAP with an EVC. Currently, support exists for CE-VLAN ID/EVC bundling mode.

As stated in the OAM Mapping section in the OAM and Diagnostics Guide, E-LMI the UNI-N can participate in the OAM fault propagation functions. This is a unidirectional update from the UNI-N to the UNI-C and interacting with service manager of VLL, VPLS, VPRN and IES services.

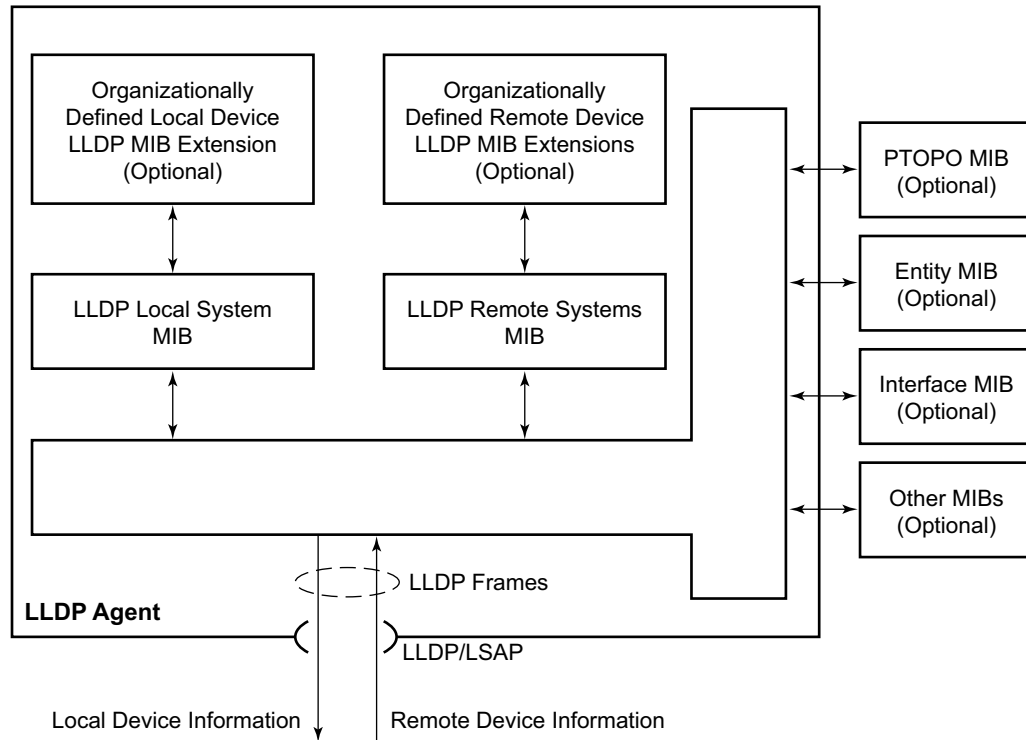
Link Layer Discovery Protocol (LLDP)

The IEEE 802.1ab Link Layer Discovery Protocol (LLDP) standard defines protocol and management elements that are suitable for advertising information to stations attached to the same IEEE 802 LAN (emulation) for the purpose of populating physical or logical topology and device discovery management information databases. The protocol facilitates the identification of stations connected by IEEE 802 LANs/MANs, their points of interconnection, and access points for management protocols.

Note that LAN emulation and logical topology wording is applicable to customer bridge scenarios (enterprise/carrier of carrier) connected to a provider network offering a transparent LAN emulation service to their customers. It helps the customer bridges detect disconnection by an intermediate provider by offering a view of the customer topology where the provider service is represented as a LAN interconnecting these customer bridges.

The IEEE 802.1ab standard defines a protocol that:

- Advertises connectivity and management information about the local station to adjacent stations on the same IEEE 802 LAN.
- Receives network management information from adjacent stations on the same IEEE 802 LAN.
- Operates with all IEEE 802 access protocols and network media.
- Establishes a network management information schema and object definitions that are suitable for storing connection information about adjacent stations.
- Provides compatibility with a number of MIBs as depicted in [Figure 17](#).



OSSG262

Figure 17: LLDP Internal Architecture for a Network Node

Network operators must be able to discover the topology information in order to detect and address network problems and inconsistencies in the configuration. Moreover, standard-based tools can address the complex network scenarios where multiple devices from different vendors are interconnected using Ethernet interfaces.

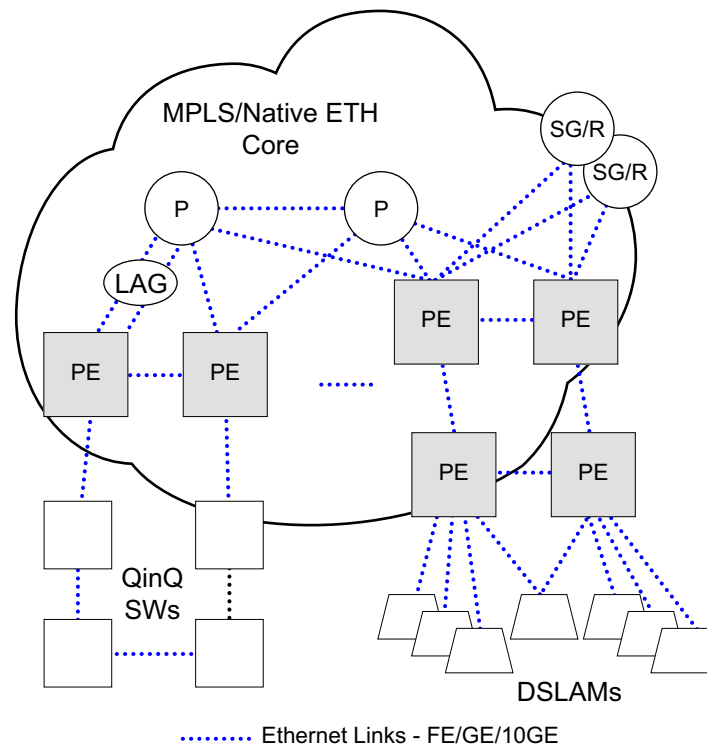


Figure 18: Generic Customer Use Case For LLDP

The example displayed in [Figure 18](#) depicts a MPLS network that uses Ethernet interfaces in the core or as an access/handoff interfaces to connect to different kind of Ethernet enabled devices such as service gateway/routers, QinQ switches, DSLAMs or customer equipment.

IEEE 802.1ab LLDP running on each Ethernet interfaces in between all the above network elements may be used to discover the topology information.

LLDP Protocol Features

LLDP is an unidirectional protocol that uses the MAC layer to transmit specific information related to the capabilities and status of the local device. Separately from the transmit direction, the LLDP agent can also receive the same kind of information for a remote device which is stored in the related MIB(s).

LLDP itself does not contain a mechanism for soliciting specific information from other LLDP agents, nor does it provide a specific means of confirming the receipt of information. LLDP allows the transmitter and the receiver to be separately enabled, making it possible to configure an implementation so the local LLDP agent can either transmit only or receive only, or can transmit and receive LLDP information.

The information fields in each LLDP frame are contained in a LLDP Data Unit (LLDPDU) as a sequence of variable length information elements, that each include type, length, and value fields (known as TLVs), where:

- Type identifies what kind of information is being sent.
- Length indicates the length of the information string in octets.
- Value is the actual information that needs to be sent (for example, a binary bit map or an alphanumeric string that can contain one or more fields).

Each LLDPDU contains four mandatory TLVs and can contain optional TLVs as selected by network management:

- Chassis ID TLV
- Port ID TLV
- Time To Live TLV
- Zero or more optional TLVs, as allowed by the maximum size of the LLDPDU
- End Of LLDPDU TLV

The chassis ID and the port ID values are concatenated to form a logical identifier that is used by the recipient to identify the sending LLDP agent/port. Both the chassis ID and port ID values can be defined in a number of convenient forms. Once selected however, the chassis ID/port ID value combination remains the same as long as the particular port remains operable.

A non-zero value in the TTL field of the Time To Live TLV tells the receiving LLDP agent how long all information pertaining to this LLDPDU's identifier will be valid so that all the associated information can later be automatically discarded by the receiving LLDP agent if the sender fails to update it in a timely manner. A zero value indicates that any information pertaining to this LLDPDU's identifier is to be discarded immediately.

Note that a TTL value of zero can be used, for example, to signal that the sending port has initiated a port shutdown procedure. The End Of LLDPDU TLV marks the end of the LLDPDU.

LAG

Based on the IEEE 802.3ax standard (formerly 802.3ad), Link Aggregation Groups (LAGs) can be configured to increase the bandwidth available between two network devices, depending on the number of links installed. LAG also provides redundancy in the event that one or more links participating in the LAG fail. All physical links in a given LAG links combine to form one logical interface.

Packet sequencing must be maintained for any given session. The hashing algorithm deployed by Alcatel-Lucent routers is based on the type of traffic transported to ensure that all traffic in a flow remains in sequence while providing effective load sharing across the links in the LAG.

LAGs must be statically configured or formed dynamically with Link Aggregation Control Protocol (LACP). The optional marker protocol described in IEEE 802.3ax is not implemented. LAGs can be configured on network and access ports.

LAG Features

Hardware capabilities:

- The LAG load sharing is executed in hardware, which provides line rate forwarding for all port types.

Software capabilities:

- The Alcatel-Lucent solution conforms to the IEEE LAG implementation including dynamic costing and LAG port threshold features. The dynamic cost and LAG port threshold features can be enabled even if the second node is not an Alcatel-Lucent router.

→ Dynamic cost

Dynamic cost can be enabled with the **config>lag *dynamic-cost*** command or by the action specified in the **config>lag>port-threshold** command.

If dynamic cost is enabled and the number of active links is greater than the port threshold value (0-7 or 0-15), depending on chassis-mode and IOM type), then the path cost is dynamically calculated whenever there is a change in the number of active links regardless of the specified port threshold action. If the port-threshold is met and the action is set to dynamic cost, then the path cost is dynamically recalculated regardless of the global dynamic cost configuration.

Enabling dynamic costing causes the physical link metrics used by OSPF to be applied based on the operational or aggregate link bandwidth in the LAG that is available at the time, providing the number of links that are up exceeds the configured

LAG port threshold value. If the number of available links falls below the configured threshold, the configured threshold action determines if and at what cost this LAG will be advertised.

For example, assume a single link in OSPF has an associated cost of 100 and the LAG consists of four physical links. The cost associated with the logical link is 25. If one link fails then the cost would automatically be adjusted to 33.

If dynamic cost is not configured then costing is applied based on the total number of links configured. The cost would be calculated at 25. This will remain static provided the number of links that are up exceeds the configured LAG threshold.

→ LAG port threshold

The LAG port threshold feature allows configuration of the behavior, once the number of available links in a LAG falls below or is equal to the specified threshold. Two options are available:

1. If the number of links available (up) in a LAG is less than the configured threshold, then the LAG is regarded as operationally down.
For example, assume a LAG consists of eight physical links. The threshold is set to four and dynamic costing is not configured. If the operational links is equal to or drops below four, the link is regarded as operationally down until the number of operational links is four or more.
2. When the number of links available in a LAG is less than the configured threshold, the LAG starts using the dynamic-cost allowing other nodes to adjust their routing tables according to the revised costs. In this case, when the threshold is not crossed, a fixed metric (all links operational) is advertised.

Configuring LAGs

LAG configuration guidelines include:

- When provisioning chassis slots, cards, MCMs, CMA/MDAs, and Ethernet ports, distribute the LAG ports for a given LAG over as many slots and CMA/MDAs as possible. This minimizes the impact that a slot or CMA/MDA failure has on the performance of the LAG.
- Ports can be added or removed from the LAG while the LAG and its ports (other than the port being removed) remain operational. When ports to and/or from the LAG are added or removed, the hashing algorithm is adjusted for the new port count.
- The **show** commands display physical port statistics on a port-by-port basis or the entire LAG can be displayed.
- LAG is supported on Ethernet ports.
- Ports of a particular LAG can be of different types but they must be the same speed and duplex. To guarantee the same port speed is used for all ports in a LAG, autonegotiation must be disabled or in limited mode to ensure only a specific speed is advertised.

Figure 19 displays traffic routed between ALA-1 and ALA-2 as a LAG consisting of four ports.

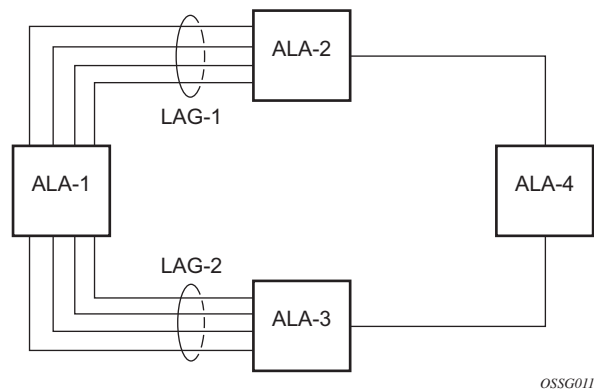


Figure 19: LAG Configuration

LAG and ECMP Hashing

When a requirement exists to increase the available bandwidth for a logical link that exceeds the physical bandwidth or add redundancy for a physical link, typically one of the methods is applied; equal cost multi-path (ECMP) or Link Aggregation (LAG). A 7710 SR can deploy both at the same time, meaning, using ECMP of two or more Link Aggregation Groups (LAG) and/or single links.

Different types of hashing algorithms can be employed depending whether better loadspreading or consistent per service forwarding is required. The Alcatel-Lucent implementation supports per flow hashing used to achieve uniform loadspreading and per service hashing designed to provide consistent per service forwarding. The following sub-sections describe these two hashing algorithms.

Depending on the type of traffic that needs to be distributed into an ECMP and/or LAG, different variables are used as input to the hashing algorithm that determines the next hop selection. There are several traffic types to consider:

- VPLS known unicast traffic. This is hashed based on the IP source and destination addresses, or the MAC source and destination addresses for non-IP traffic. Optionally TCP and UDP traffic can include the source and destination port information in the hash algorithm.
- The hash used for LAG for VPLS services does not include the VPLS service ID. The MAC SA/DA are hashed and then, if the Ethertype is IPv4 or IPv6, the hash is replaced with one based on the IP source address/destination address. If Layer 4 hashing is enabled on the ingress port, the Layer 4 source port and destination port are hashed. Packets for the same SAP can be sprayed across different LAG members, if the result of this hash modulo the number of LAG links is different.
- Unicast IP traffic routed by a 7710 SR router uses the IP SA/DA or optionally TCP/UDP port information.
- By default, MPLS packet hashing at an LSR is based on the whole label stack, along with the incoming port and system IP address. Note that the EXP/TTL information in each label is not included in the hash algorithm. This method is referred to as “Label-Only Hash” option and is enabled in CLI by entering the **lbl-only** keyword.
- A couple of options to further hash on the header of an IP packet in the payload of the MPLS packet are also provided.
- The first method is referred to as the Label-IP Hash option and is enabled in CLI by entering the **lbl-ip** keyword. In the first hash round for ECMP, the algorithm will parse down the label stack and once it hits the bottom it checks the next nibble. If the nibble value is 4 then it will assume it is an IPv4 packet. If the nibble value is 6 it will assume it is an IPv6 packet. The result of the hash of the label stack, along with the incoming port and system IP address, is fed into another hash along with source and destination address fields in the IP packet header. Otherwise, it will just use the label stack hash calculated in

the first round like in the default “Label-Only Hash” option. If there are more than 6 labels in the stack the algorithm will also use the result of the label stack hash only. The net result will be used to select which LDP FEC next-hop to send the packet to using a modulo operation of the net result with the number of next-hops. This same net result will feed to a second round of hashing to select a LAG link on the egress port where the LSP has its NHLFE programmed when applicable.

- The second method is referred to as IP-only Hash and is enabled in CLI by entering the **ip-only** keyword. It operates the same way as the Label-IP Hash method except that the hash is performed exclusively on the source and destination address fields in the IP packet header.
- VPLS multicast, broadcast and unknown unicast traffic transmitted on SAPs is not sprayed on a per-frame basis, but instead the service ID is used to pick ECMP and LAG paths statically.
 - VPLS multicast, broadcast and unknown unicast traffic transmitted on SDPs is and hashed on a per packet basis in the same way as VPLS unicast traffic. However, per packet hashing is applicable only to the distribution of traffic over LAG ports, as the ECMP path is still chosen statically based on the service ID.

Data is hashed twice to get the ECMP path. If LAG and ECMP are performed on the same frame, the data will be hashed again to get the LAG port (three hashes for LAG). However, if only LAG is performed, then hashing will only be performed twice to get the LAG port.
 - VPLS multicast traffic transmitted on SAPs with IGMP snooping enabled is load-balanced based on the internal multicast ID which is unique for every (s,g) record. This way, multicast traffic pertaining to different streams is distributed across different LAG member ports.
- VLL traffic from a service access point is not sprayed on a per-packet basis, but as for VPLS flooded traffic, the service ID is used to pick one of the ECMP/LAG paths. The exception to this is when shared-queuing is configured on an Etherpipe SAP or Frame Relay pipe SAP. In this case, traffic spraying is the same for VPLS known unicast traffic.
- IP multicast is sprayed over LAG based on the unique multicast ID.
- IP multicast Layer 4 UDP traffic will not be hashed.

For all cases that involve per-packet hashing, the NPA produces a 20-bit result based on hashing the relevant packet data. This result is input to a modulo like calculation (divide by the number of routes in the ECMP and use the remainder) to determine the ECMP index.

If the ECMP index results in the selection of a LAG as the next hop, then the hash result is hashed again and the result of the second hash is input to the modulo like operation (divide by the number of ports in the LAG and use the remainder) to determine the LAG port selection.

LAG on Access

Link Aggregation Groups (LAG) is supported on access ports. This is treated the same as LAG on network ports which provides a standard method to aggregate Ethernet links. The difference lies in how QoS is handled. If all members of the LAG are on the same IOMCFM then there is no difference in how HQoS is handled. For example, for routed packets or for VPLS known unicast, hashing is performed to get an ECMP value and then rehashed to do the spraying for the access LAG ports. SAP to SAP VLL, and VPLS flooded packets will only use one port of the LAG.

The following features are supported as an extension of **lsr-load-balancing lbl-ip**.

- Supported on the IOM-3 and as well as the IOM-2 (mode C) and IOM-1 (mode B)
- Supported for IPv4 and as well as for IPv6 (IPv6 works only on IOM-3 chassis mode D)
- **lsr-load-balancing lbl-ip** can be enabled in the **config>router>interface** context.

LSR Hashing

The LSR hash routine operates on the label stack only. However, there is also the ability to hash on the IP header if a packet is IP. An LSR will consider a packet to be IP if the first nibble following the bottom of the label stack is either 4 (IPv4) or 6 (IPv6). This allows the user to include an IP header in the hashing routine at an LSR for the purpose of spraying labeled IP packets over multiple equal cost paths in ECMP in an LDP LSP and/or over multiple links of a LAG group in all types of LSPs.

The user enables the LSR hashing on label stack and/or IP header by entering the following system-wide command: **config>system>lsr-load-balancing lbl-ip | ip-only**.

By default, the 7x50 LSR falls back to the hashing on label stack only as in existing implementation behavior. This option is referred to as **lbl-only** and the user can revert to this behavior by entering one of the two commands:

```
config>system>lsr-load-balancing lbl-only
```

```
config>system>no lsr-load-balancing
```

The user can also selectively enable or disable the inclusion of label stack and IP header in the LSR hash routine on a specific network interface by entering the following command:

```
config>router>interface>lsr-load-balancing lbl-ip | ip-only
```

This provides some control to the user such that this feature is disabled if labeled packets received on a specific interface include non IP packets that can be confused by the hash routine for IP packets. These could be VLL and VPLS packets without a PW control word.

When you exclude label stack and IP header from the hash routine on an interface, the 7x50 LSR falls back to the hashing on label stack only as in existing implementation behavior.

LSR Default Hash Routine— Label-Only Hash Option

The following is the behavior of ECMP and LAG hashing at an LSR in the existing implementation. These are performed in two rounds.

First the ECMP hash. It consists of an initial hash based on the source port/system IP address. Each label in the stack is then hashed separately with the result of the previous hash, up to a maximum of five labels. The net result will be used to select which LDP FEC next-hop to send the packet to using a modulo operation of the net result with the number of next-hops. If there is a single next-hop for the LDP FEC, or if the packet is received on an RSVP LSP ILM, then a single next-hop exists.

This same net result will feed to a second round of hashing if there is LAG on the egress port where the selected LDP or RSVP LSP has its NHLFE programmed.

LSR Label-IP Hash Option Enabled

In the first hash round for ECMP, the algorithm will parse down the label stack and once it hits the bottom it checks the next nibble. If the nibble value is 4 then it will assume it is an IPv4 packet. If the nibble value is 6 then it will assume it is an IPv6 packet. In both cases, the result of the label hash is fed into another hash along with source and destination address fields in the IP packet's header. Otherwise, it will just use the label stack hash already calculated for the ECMP path selection.

If there are more than five labels in the stack, then the algorithm will also use the result of the label hash for the ECMP path selection.

The second round of hashing for LAG re-uses the net result of the first round of hashing. This means IPv6 packets will continue to be hashed on label stack only.

LSR IP-Only Hash Option Enabled

This option behaves like the label-IP hash option except that when the algorithm reached the bottom of the label stack in the ECMP round and finds an IP packet, it throws the outcome of the label hash and only uses the source and destination address fields in the IP packet's header.

Port Link Damping

Hold time controls enable port link damping timers that reduce the number of link transitions reported to upper layer protocols.

The 7710 SR OS port link damping feature guards against excessive port transitions. Any initial port transition is immediately advertised to upper layer protocols, but any subsequent port transitions are not advertised to upper layer protocols until a configured timer has expired.

An “up” timer controls the dampening timer for link up transitions, and a “down” timer controls the dampening timer for link down transitions.

LACP

Generally, link aggregation is used for two purposes: provide an increase in bandwidth and/or provide redundancy. Both aspects are addressed by aggregating several Ethernet links in a single LAG.

LACP enhancements allow active lag-member selection based on particular constrains. The mechanism is based on the IEEE 802.3ax standard so interoperability is ensured.

Active-Standby LAG Operation without LACP

Active/standby LAG is used to provide redundancy while keeping consistency of H-QOS enforcement. Some devices do not support LACP and hence an alternative solution is required.

The active/standby decision for LAG member links is local decision driven by pre-configured selection-criteria. This decision was communicated to remote system using LACP signalling.

As an alternative, the operator can **disable-transmitter** at the port member level. As a consequence, the transmit laser will be switched off for all LAG members in standby mode. On switch over (active-links failed) the laser will be switched on all LAG members will become active.

Note that this mode of operation cannot detect physical failures on the standby link, which means that the network operator cannot be certain that the standby links are capable to take over in case of active-links failure. This is an inherent limitation of this operational mode.

The operation where standby ports are powered down is mutually exclusive with LACP and, therefore, is modelled as separate mode of LACP operation of **power-off**. For this mode, the selection-criteria **best-port** can be used. This criteria means that it will be always a sub-group with the **test-port** (the highest priority port) which will be chosen to be used as active sub-group.

It will not be possible to have an active LACP in power-off mode before the correct selection criteria is selected.

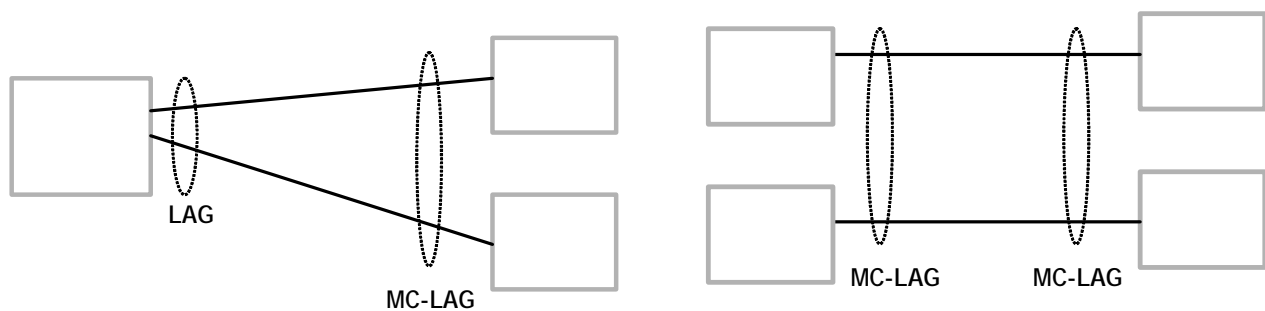


Figure 20: Active-Standby LAG Operation without LACP

Multi-Chassis LAG

This section describes the Multi-Chassis LAG (MC-LAG) concept. MC-LAG is an extension of a LAG concept that provides node-level redundancy in addition to link-level redundancy provided by “regular LAG”.

Typically, MC-LAG is deployed in a network-wide scenario providing redundant connection between different end points. The whole scenario is then built by combination of different mechanisms (for example, MC-LAG and redundant pseudowire to provide e2e redundant p2p connection or dual homing of DSLAMs in Layer 2/3 TPSDA).

Overview

Multi-chassis LAG is a method of providing redundant Layer 2/3 access connectivity that extends beyond link level protection by allowing two systems to share a common LAG end point.

The multi-service access node (MSAN) node is connected with multiple links towards a redundant pair of Layer 2/3 aggregation nodes such that both link and node level redundancy, are provided. By using a multi-chassis LAG protocol, the paired Layer 2/3 aggregation nodes (referred to as redundant-pair) appears to be a single node utilizing LACP towards the access node. The multi-chassis LAG protocol between redundant-pair ensures a synchronized forwarding plane to/from the access node and is used to synchronize the link state information between the redundant-pair nodes such that proper LACP messaging is provided to the access node from both redundant-pair nodes.

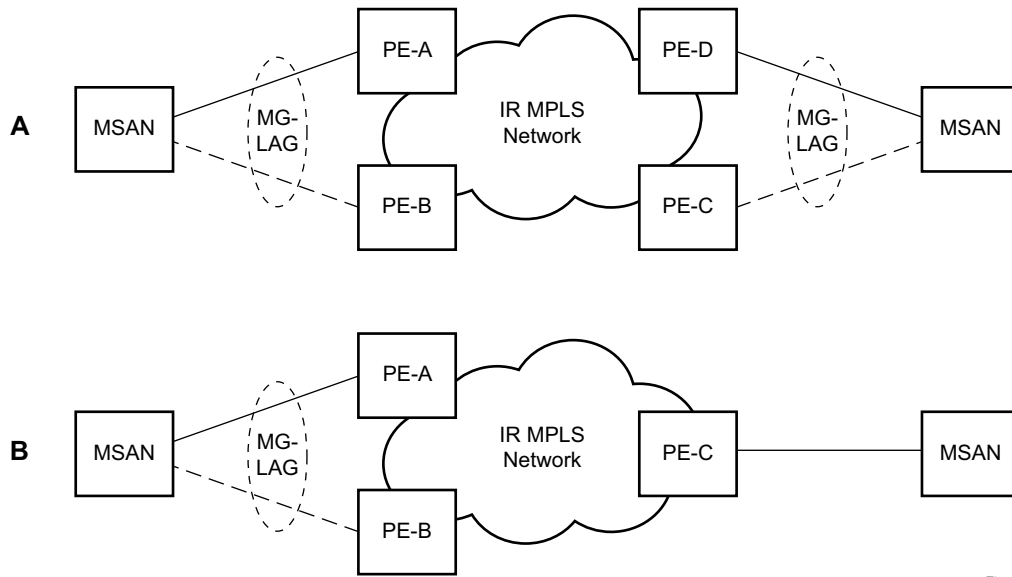
In order to ensure SLAs and deterministic forwarding characteristics between the access and the redundant-pair node, the multi-chassis LAG function provides an active/standby operation towards/from the access node. LACP is used to manage the available LAG links into active and standby states such that only links from 1 aggregation node are active at a time to/from the access node.

Alternatively, when access nodes does not support LACP, the **power-off** option can be used to enforce active/standby operation. In this case, the standby ports are **trx_disabled** (power off transmitter) to prevent usage of the lag member by the access-node.

Characteristics related to MC are:

- Selection of the common system ID, system-priority and administrative-key are used in LACP messages so partner systems consider all links as the part of the same LAG.
- Extension of selection algorithm in order to allow selection of active sub-group.
 - The sub-group definition in LAG context is still local to the single box, meaning that even if sub-groups configured on two different systems have the same sub-group-id they are still considered as two separate subgroups within given LAG.
 - Multiple sub-groups per PE in a MC-LAG is supported.
 - In case there is a tie in the selection algorithm, for example, two sub-groups with identical aggregate weight (or number of active links) the group which is local to the system with lower system LACP priority and LAG system ID is taken.
- Providing inter-chassis communication channel allows inter-chassis communication to support LACP on both system. This communication channel enables the following:
 - Supports connections at the IP level which do not require a direct link between two nodes. The IP address configured at the neighbor system is one of the addresses of the system (interface or loop-back IP address).
 - The communication protocol provides heartbeat mechanism to enhance robustness of the MC-LAG operation and detecting node failures.

- Support for operator actions on any node that force an operational change.
 - The LAG group-ids do not have to match between neighbor systems. At the same time, there can be multiple LAG groups between the same pair of neighbors.
 - Verification that the physical characteristics, such as speed and auto-negotiation is configured and initiates operator notifications (traps) if errors exist. Consistency of MC-LAG configuration (system-id, administrative-key and system-priority) is provided. Similarly, load-balancing mode of operation must be consistently configured on both nodes.
 - Traffic over the signalling link is encrypted using a user configurable message digest key.
- MC-LAG function provides active/stand-by status to other software applications in order to built a reliable solutions.



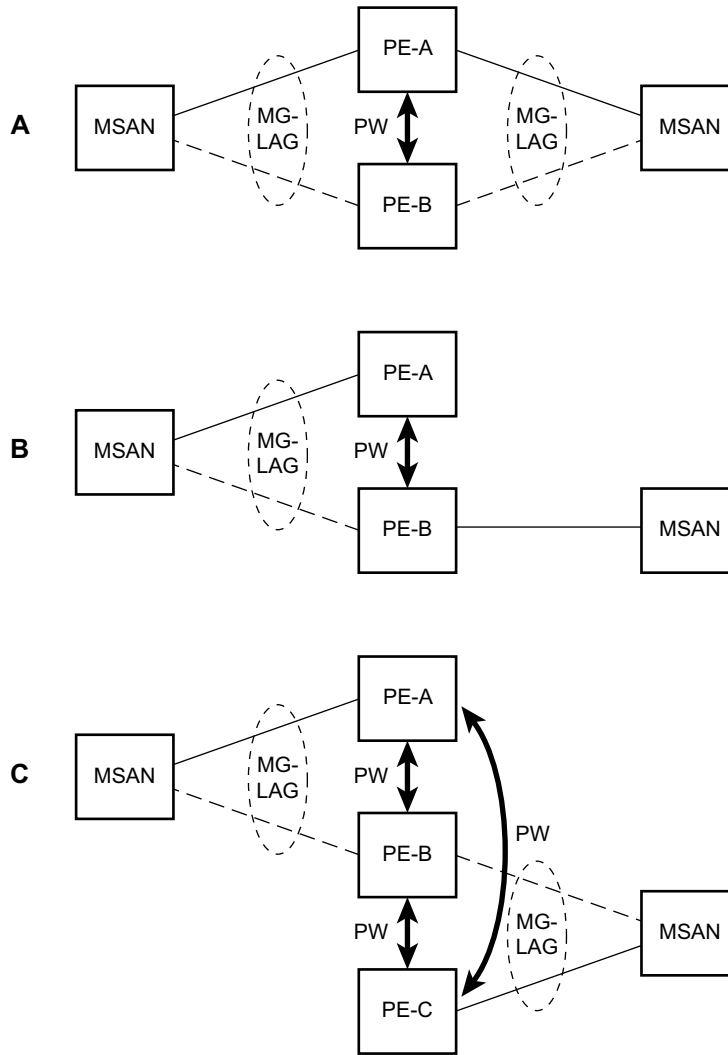
Fig_6

Figure 21: MC-LAG L2 Dual Homing to Remote PE Pairs

Figure 21 depicts different combinations of MC-LAG attachments supported. The supported configurations can be sub-divided into following sub-groups:

- Dual-homing to remote PE pairs
 - both end-points attached with MC-LAG
 - one end-point attached
- Dual-homing to local PE pair
 - both end-points attached with MC-LAG
 - one end-point attached with MC-LAG

→ both end-points attached with MC-LAG to two overlapping pairs



Fig_7

Figure 22: MC-LAG L2 Dual Homing to Local PE-Pairs

The forwarding behavior of the nodes abide by the following principles. Note that logical destination (actual forwarding decision) is primarily determined by the service (VPLS or VLL) and the principle below applies only if destination or source is based on MC-LAG:

- Packets received from the network will be forwarded to all local active links of the given destination-sap based on conversation hashing. In case there are no local active links, the packets will be cross-connected to inter-chassis pseudowire.

LAG

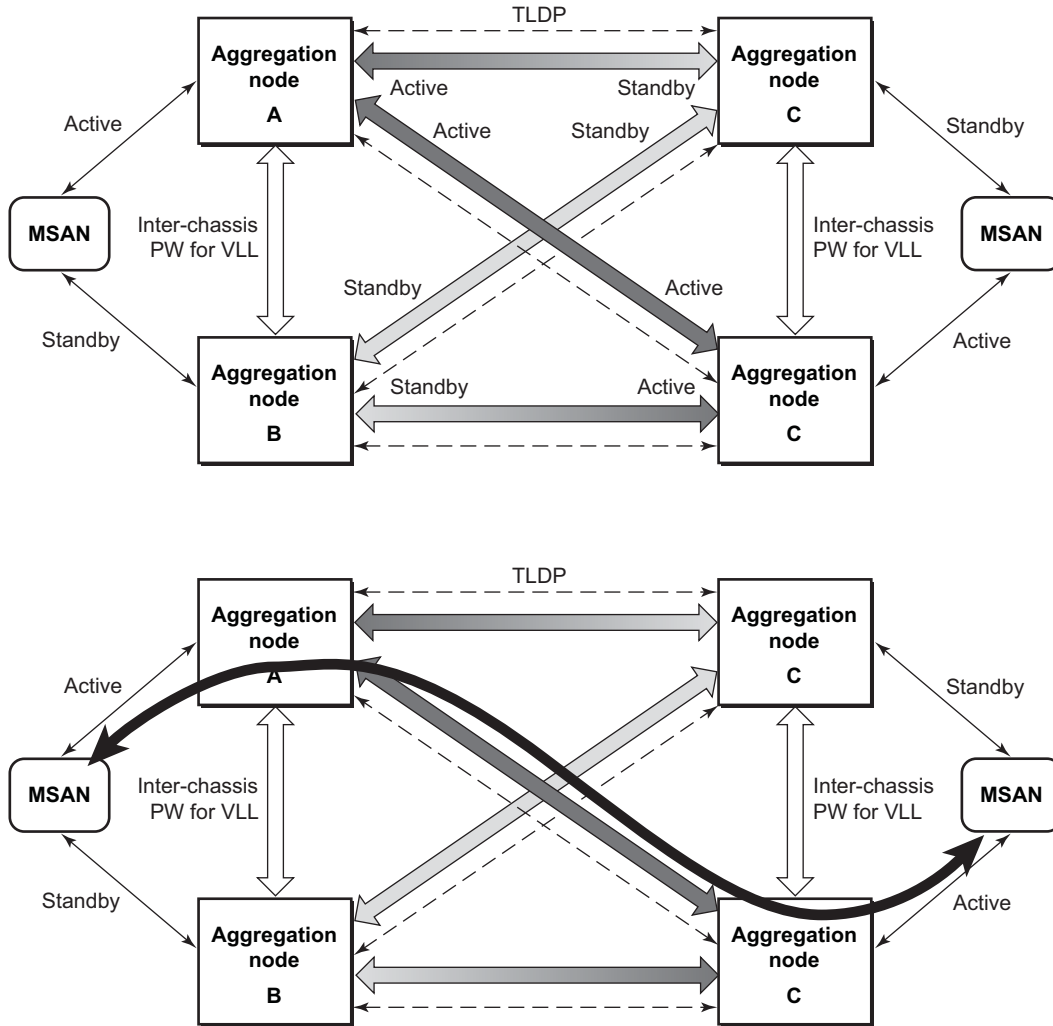
- Packets received from the MC-LAG sap will be forwarded to active destination pseudowire or active local links of destination-sap. In case there are no such objects available at the local node, the packets will be cross-connected to inter-chassis pseudowire.

MC-LAG and Subscriber Routed Redundancy Protocol (SRRP)

MC-LAG and SRRP enables dual-homed links from any IEEE 802.3ax (formerly 802.3ad) standards-based access device (for example, a IP DSLAM, Ethernet switch or a Video on Demand server) to multiple Layer 2/3 or Layer 3 aggregation nodes. In contrast with slow recovery mechanisms such as Spanning Tree, multi-chassis LAG provides synchronized and stateful redundancy for VPN services or triple play subscribers in the event of the access link or aggregation node failing, with zero impact to end users and their services.

Refer to the 7710 SR OS Triple Play Guide for information about SRRP.

Point-to-Point (p2p) Redundant Connection Across Layer 2/3 VPN Network



OSSG116

Figure 23: P2P Redundant Connection Through a Layer 2 VPN Network

Figure 23 shows the connection between two multi-service access nodes (MSANs) across network based on Layer 2/3 VPN pseudo-wires. The connection between MSAN and a pair of PE routers is realized by MC-LAG. From MSAN perspective, redundant pair of PE routers acts as a single partner in LACP negotiation. At any point in time, only one of the routers has an active link(s) in a given LAG. The status of LAG links is reflected in status signaling of pseudo-wires set between all

participating PEs. The combination of active and stand-by states across LAG links as well and pseudo-wires give only 1 unique path between pair of MSANs.

Note that the configuration in [Figure 23](#) depicts one particular configuration of VLL connections based on MC-LAG, particularly the VLL connection where two ends (SAPs) are on two different redundant-pairs. In addition to this, other configurations are possible, such as:

- Both ends of the same VLL connections are local to the same redundant-pair.
- One end VLL endpoint is on a redundant-pair the other on single (local or remote) node.

DSLAM Dual Homing in Layer 2/3 TPSDA Model

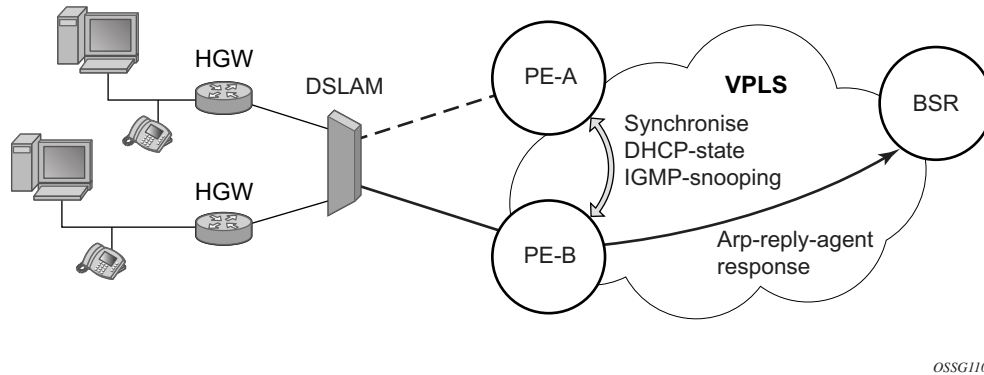


Figure 24: DSLAM Dual-Homing Using MC-LAG

Figure 24 illustrates a network configuration where DSLAM is dual homed to pair of redundant PEs by using MC-LAG. Inside the aggregation network redundant-pair of PEs is connecting to VPLS service which provides reliable connection to single or pair of Broadband Service Routers (BSRs).

MC-LAG and pseudo-wire connectivity, PE-A and PE-B implement enhanced subscriber management features based on DHCP-snooping and creating dynamic states for every subscriber-host. As in any point of time there is only one PE active, it is necessary to provide the mechanism for synchronizing subscriber-host state-information between active PE (where the state is learned) and stand-by PE. In addition, VPLS core must be aware of active PE in order to forward all subscriber traffic to a PE with an active LAG link. The mechanism for this synchronization is outside of the scope of this document.

802.1x Network Access Control

The Alcatel-Lucent 7710 SR supports network access control of client devices (PCs, STBs, etc.) on an Ethernet network using the IEEE 802.1x standard. 802.1x is known as Extensible Authentication Protocol (EAP) over a LAN network or EAPOL.

802.1x Modes

The Alcatel-Lucent 7710 SR supports port-based network access control for Ethernet ports only. Every Ethernet port can be configured to operate in one of three different operation modes, controlled by the port-control parameter:

- **force-auth** — Disables 802.1x authentication and causes the port to transition to the authorized state without requiring any authentication exchange. The port transmits and receives normal traffic without requiring 802.1x-based host authentication. This is the default setting.
- **force-unauth** — Causes the port to remain in the unauthorized state, ignoring all attempts by the hosts to authenticate. The switch cannot provide authentication services to the host through the interface.
- **auto** — Enables 802.1x authentication. The port starts in the unauthorized state, allowing only EAPOL frames to be sent and received through the port. Both the router and the host can initiate an authentication procedure as described below. The port will remain in unauthorized state (no traffic except EAPOL frames is allowed) until the first client is authenticated successfully. After this, traffic is allowed on the port for all connected hosts.

802.1x Basics

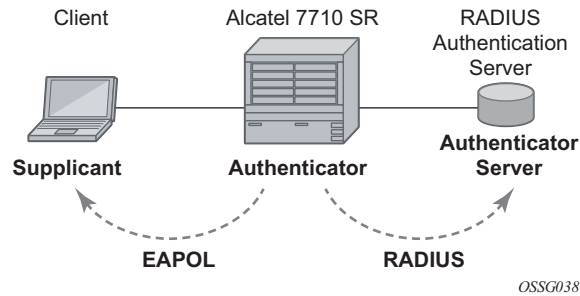


Figure 25: 802.1x Architecture

The IEEE 802.1x standard defines three participants in an authentication conversation (see [Figure 25](#)):

- The supplicant — This is the end-user device that requests access to the network.
- The authenticator — Controls access to the network. Both the supplicant and the authenticator are referred to as Port Authentication Entities (PAEs).
- The authentication server — Performs the actual processing of the user information.

The authentication exchange is carried out between the supplicant and the authentication server, the authenticator acts only as a bridge. The communication between the supplicant and the authenticator is done through the Extended Authentication Protocol (EAP) over LANs (EAPOL). On the back end, the communication between the authenticator and the authentication server is done with the RADIUS protocol. The authenticator is thus a RADIUS client, and the authentication server a RADIUS server.

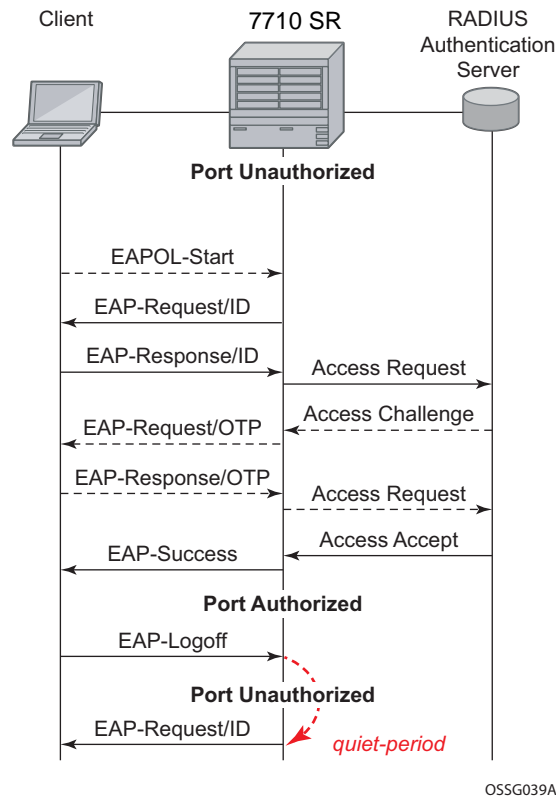


Figure 26: 802.1x Authentication Scenario

The messages involved in the authentication procedure are illustrated in [Figure 26](#). The router will initiate the procedure when the Ethernet port becomes operationally up, by sending a special PDU called EAP-Request/ID to the client. The client can also initiate the exchange by sending an EAPOL-start PDU, if it doesn't receive the EAP-Request/ID frame during bootup. The client responds on the EAP-Request/ID with a EAP-Response/ID frame, containing its identity (typically username + password).

After receiving the EAP-Response/ID frame, the router will encapsulate the identity information into a RADIUS AccessRequest packet, and send it off to the configured RADIUS server.

The RADIUS server checks the supplied credentials, and if approved will return an Access Accept message to the router. The router notifies the client with an EAP-Success PDU and puts the port in authorized state.

802.1x Timers

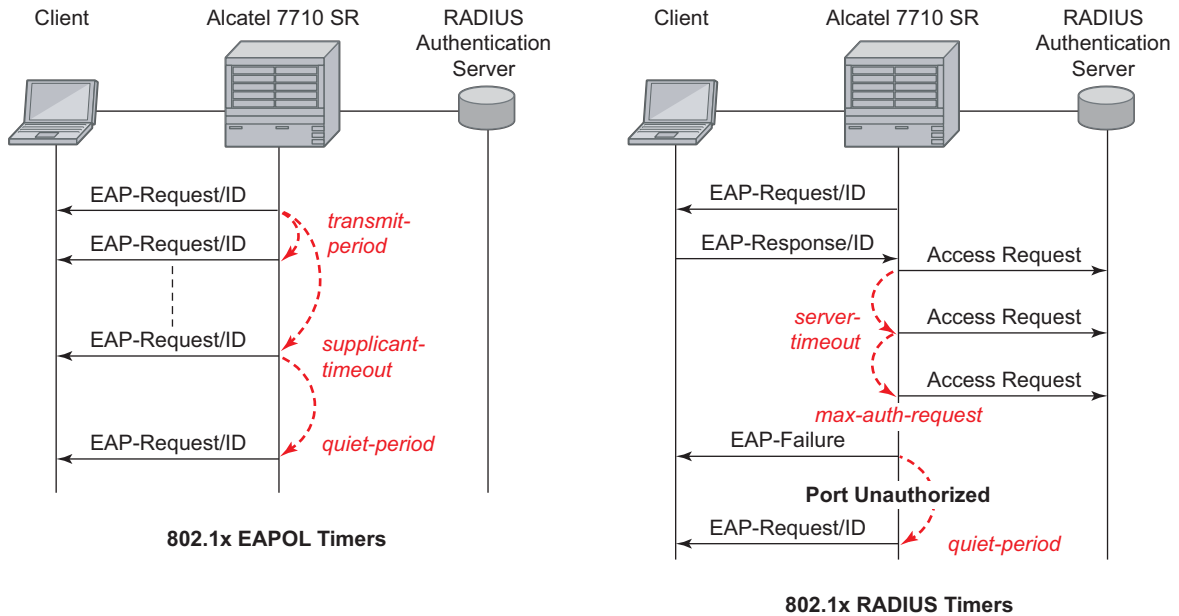
The 802.1x authentication procedure is controlled by a number of configurable timers and scalars. There are two separate sets, one for the EAPOL message exchange and one for the RADIUS message exchange. See [Figure 27](#) for an example of the timers.

EAPOL timers:

- *transit-period* — Indicates how many seconds the Authenticator will listen for an EAP-Response/ID frame. If the timer expires, a new EAP-Request/ID frame will be sent and the timer restarted. The default value is 60. The range is 1-3600 seconds.
- *supplicant-timeout* — This timer is started at the beginning of a new authentication procedure (transmission of first EAP-Request/ID frame). If the timer expires before an EAP-Response/ID frame is received, the 802.1x authentication session is considered as having failed. The default value is 30. The range is 1 — 300.
- *quiet-period* — Indicates number of seconds between authentication sessions It is started after logoff, after sending an EAP-Failure message or after expiry of the supplicant-timeout timer. The default value is 60. The range is 1 — 3600.

RADIUS timer and scalar:

- *max-auth-req* — Indicates the maximum number of times that the router will send an authentication request to the RADIUS server before the procedure is considered as having failed. The default value is value 2. The range is 1 — 10.
- *server-timeout* — Indicates how many seconds the authenticator will wait for a RADIUS response message. If the timer expires, the access request message is sent again, up to *max-auth-req* times. The default value is 60. The range is 1 — 3600 seconds.



OSSG040-7710

Figure 27: 802.1x EAPOL Timers (left) and RADIUS Timers (right)

The router can also be configured to periodically trigger the authentication procedure automatically. This is controlled by the `enable re-authentication` and `reauth-period` parameters. `Reauth-period` indicates the period in seconds (since the last time that the authorization state was confirmed) before a new authentication procedure is started. The range of `reauth-period` is 1 — 9000 seconds (the default is 3600 seconds, one hour). Note that the port stays in an authorized state during the re-authentication procedure.

802.1x Configuration and Limitations

Configuration of 802.1x network access control on the router consists of two parts:

- Generic parameters, which are configured under **config>security>dot1x**
- Port-specific parameters, which are configured under **config>port>ethernet>dot1x**

801.x authentication:

- Provides access to the port for any device, even if only a single client has been authenticated.
- Can only be used to gain access to a pre-defined Service Access Point (SAP). It is not possible to dynamically select a service (such as a VPLS service) depending on the 802.1x authentication information.
- Only supported on untagged Ethernet ports. (**config>port>ethernet# encap-type null**);
- Only supported on access ports. (**config>port>ethernet# mode access**).

802.3ah OAM

802.3ah Clause 57 (EFM OAM) defines the Operations, Administration, and Maintenance (OAM) sub-layer, which provides mechanisms useful for monitoring link operation such as remote fault indication and remote loopback control. In general, OAM provides network operators the ability to monitor the health of the network and quickly determine the location of failing links or fault conditions. EFM OAM described in this clause provides data link layer mechanisms that complement applications that may reside in higher layers.

OAM information is conveyed in slow protocol frames called OAM protocol data units (OAMPDUs). OAMPDUs contain the appropriate control and status information used to monitor, test and troubleshoot OAM-enabled links. OAMPDUs traverse a single link, being passed between peer OAM entities, and as such, are not forwarded by MAC clients (like bridges or switches).

The following EFM OAM functions are supported:

- EFM OAM capability discovery.
- Active and passive modes.
- Remote failure indication — Handling of critical link events (link fault, dying gasp, etc.)
- Loopback — A mechanism is provided to support a data link layer frame-level loopback mode. Both remote and local loopback modes are supported.
- EFM OAMPDU tunneling.
- High resolution timer for EFM OAM in 100ms interval (minimum).

OAM Events

EFM OAM defines a set of events that may impact link operation. The following events are supported:

- Critical link events (defined in 802.3ah clause 57.2.10.1)
 - Link fault: the PHY has determined a fault has occurred in the receive direction of the local DTE.
 - Dying gasp: an unrecoverable local failure condition has occurred.
 - Critical event: an unspecified critical event has occurred.

These critical link events are signaled to the remote DTE by the flag field in OAM PDUs.

Remote Loopback

EFM OAM provides a link-layer frame loopback mode that can be remotely controlled.

To initiate remote loopback, the local EFM OAM client sends a loopback control OAM PDU by enabling the OAM remote-loopback command. After receiving the loopback control OAM PDU, the remote OAM client puts the remote port into local loopback mode.

To exit remote loopback, the local EFM OAM client sends a loopback control OAM PDU by disabling the OAM remote-loopback command. After receiving the loopback control OAM PDU, the remote OAM client puts the port back into normal forwarding mode.

Note that during remote loopback test operation, all frames except EFM OAM PDUs are dropped at the local port for the receive direction, where remote loopback is enabled. If local loopback is enabled, then all frames except EFM OAM PDUs are dropped at the local port for both the receive and transmit directions. This behavior may result in many protocols (such as STP or LAG) resetting their state machines.

Note that when a port is in loopback mode, service mirroring will not work if the port is a mirror-source or a mirror-destination.

802.3ah OAM PDU Tunneling for Epipe Service

The 7710 routers support 802.3ah. Customers who subscribe to Epipe service treat the Epipe as a wire, so they demand the ability to run 802.3ah between their devices which are located at each end of the Epipe.

Note: This feature only applies to port-based Epipe SAPs because 802.3ah runs at port level not VLAN level. Hence, such ports must be configured as null encapsulated SAPs.

When OAM PDU tunneling is enabled, 802.3ah OAM PDUs received at one end of an Epipe are forwarded through the Epipe. 802.3ah can run between devices that are located at each end of the Epipe. When OAM PDU tunneling is disabled (by default), OAM PDUs are dropped or processed locally according to the **efm-oam** configuration (**shutdown** or **no shutdown**).

Note that by enabling 802.3ah for a specific port and enabling OAM PDU tunneling for the same port are mutually exclusive. Enforcement is performed on the CLI level.

MTU Configuration Guidelines

Observe the following general rules when planning your service and physical MTU configurations:

- The 7710 SR must contend with MTU limitations at many service points. The physical (access and network) port, service, and SDP MTU values must be individually defined.
- Identify the ports that will be designated as network ports intended to carry service traffic.
- MTU values should not be modified frequently.
- MTU values must conform to both of the following conditions:
 - The service MTU must be less than or equal to the SDP path MTU.
 - The service MTU must be less than or equal to the access port (SAP) MTU.

Default MTU Values

Table 26 displays the default MTU values which are dependent upon the (sub-) port type, mode, and encapsulation.

Table 26: MTU Default Values

Port Type	Mode	Encap Type	Default (bytes)
Ethernet	access	null	1514
Ethernet	access	dot1q	1518
Fast Ethernet	network	—	1514
Other Ethernet	network	—	9212*
SONET path or TDM channel	access	BCP-null	1518
SONET path or TDM channel	access	BCP-Dot1q	1522
SONET path or TDM channel	access	IPCP	1502
SONET path or TDM channel	network	—	9208
SONET path or TDM channel	access	frame-relay	1578
SONET path or TDM channel	access	atm	1524

*The default MTU for Ethernet ports other than Fast Ethernet is actually the lesser of 9212 and any MTU limitations imposed by hardware which is typically 16K.

Modifying MTU Defaults

MTU parameters should be modified on the service level as well as the port level.

- The service-level MTU parameters configure the service payload (Maximum Transmission Unit – MTU) in bytes for the service ID overriding the service-type default MTU.
- The port-level MTU parameters configure the maximum payload MTU size for an Ethernet port or SONET/SDH SONET path (sub-port) or TDM port/channel, or a channel that is part of a multilink bundle or LAG.

The default MTU values should be modified to ensure that packets are not dropped due to frame size limitations. The service MTU must be less than or equal to both the SAP port MTU and the SDP path MTU values. When an SDP is configured on a network port using default port MTU values, the operational path MTU can be less than the service MTU. In this case, enter the `show service sdp` command to check the operational state. If the operational state is down, then modify the MTU value accordingly.

Configuration Example

In order for the maximum length service frame to successfully travel from a local ingress SAP to a remote egress SAP, the MTU values configured on the local ingress SAP, the SDP (GRE or MPLS), and the egress SAP must be coordinated to accept the maximum frame size the service can forward.

For example, the targeted MTU values to configure for a distributed Epipe service (ALA-A and ALA-B) are displayed in [Figure 28](#).

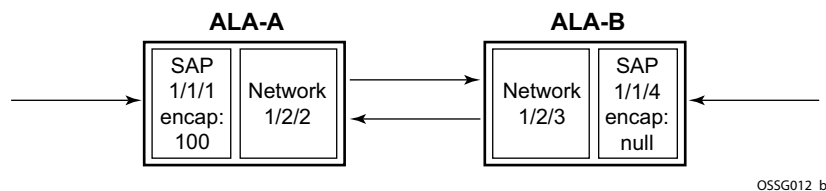


Figure 28: MTU Configuration Example

Table 27: MTU Configuration Example Values

	ALA-A		ALA-B	
	Access (SAP)	Network	Network	Access (SAP)
Port (slot/MDA/port)	1/1/1	1/3/	1/5/1	1/1/1
Mode type	dot1q	network	network	null
MTU	1518	1556	1556	1514

Since ALA-A uses Dot1q encapsulation, the SAP MTU must be set to 1518 to be able to accept a 1514 byte service frame (see [Table 26](#) for MTU default values). Each SDP MTU must be set to at least 1514 as well. If ALA-A's network port (1/3/1) is configured as an Ethernet port with a GRE SDP encapsulation type, then the MTU value of network ports 1/3/1 and 1/5/1 must *each* be at least 1556 bytes (1514 MTU + 28 GRE/Martini + 14 Ethernet). Finally, the MTU of ALA-B's SAP (access port 1/1/1) must be at least 1514, as it uses null encapsulation.

Deploying Preprovisioned Components

When a line card/CMA/MDA is installed in a preprovisioned slot, the device detects discrepancies between the preprovisioned card and CMA/MDA type configurations and the types actually installed. Error messages display if there are inconsistencies and the card will not initialize.

When the proper preprovisioned card and CMA/MDA are installed into the appropriate chassis slot, alarm, status, and performance details will display.

Configuration Process Overview

Figure 29 displays the process to provision chassis slots, line cards, MDAs, and ports.

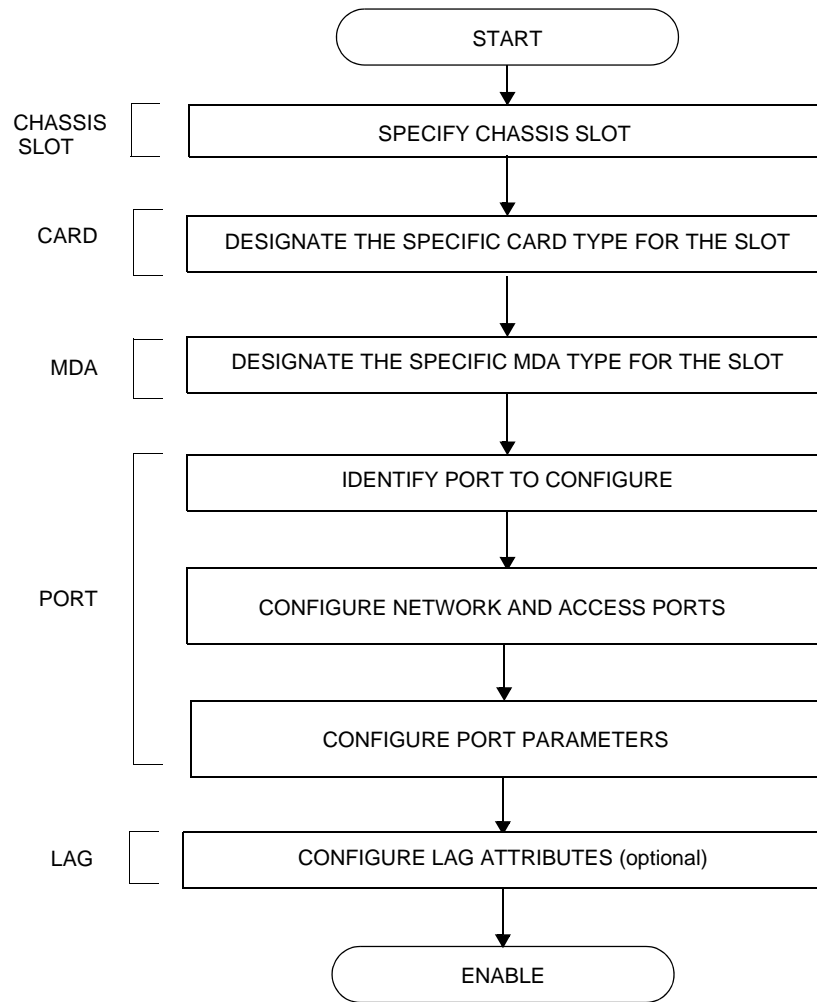


Figure 29: Slot, Card, MDA, and Port Configuration and Implementation Flow

Configuration Notes

The following information describes provisioning caveats:

- Chassis slots must be preprovisioned to accept specific line card types.
- Line cards must be preprovisioned to accept specific MDA types.
If a card or MDA type is installed in a slot provisioned for a different type, the card will not initialize.
- A card and MDA installed in an unprovisioned slot remain administratively and operationally down until the slot, card type, MDA slot, and MDA type is specified.
- Ports cannot be provisioned until the slot, card and MDA type are specified.
- cHDLC does not support HDLC windowing features, nor other HDLC frame types such as S-frames.
- cHDLC operates in the HDLC Asynchronous Balanced Mode (ABM) of operation.
- APS configuration rules:
 - A physical port (either working or protection) must be shutdown before it can be removed from an APS group port.
 - For a single-chassis APS group, a working port must be added first. Then a protection port can be added or removed at any time.
 - A protection port must be shutdown before being removed from an APS group.
 - A path cannot be configured on a port before the port is added to an APS group.
 - A working port cannot be removed from an APS group until the APS port path is removed.
 - When ports are added to an APS group, all path-level configurations are available only on the APS port level and configuration on the physical member ports are blocked.
 - For APS-protected bundles, all members of a working bundle must reside on the working port of an APS group. Similarly all members of a protecting bundle must reside on the protecting circuit of that APS group.

Configuring Physical Ports with CLI

This section provides information to configure cards, MDAs, and ports.

Topics in this section include:

- [Preprovisioning Guidelines on page 130](#)
 - [Predefining Entities on page 130](#)
 - [Preprovisioning a Port on page 131](#)
- [Basic Configuration on page 133](#)
- [Common Configuration Tasks on page 134](#)
 - [Configuring Ports on page 138](#)
- [Common Configuration Tasks on page 134](#)
 - [Configuring Cards, MDA Carrier Modules \(MCMs\) and Media Dependent Adapters \(MDAs\) on page 135](#)
 - [Configuring Cards and Compact Media Adapters \(CMAs\) on page 136](#)
 - [Configuring MDA/CMA Access and Network Pool Parameters on page 137](#)
 - [Configuring Ports on page 138](#)
 - [Configuring APS Parameters on page 139](#)
 - [Configuring Ethernet Port Parameters on page 141](#)
 - [Configuring SONET/SDH Port Parameters on page 143](#)
 - [Configuring Cpipe Port Parameters on page 146](#)
 - [Configuring ATM SAPs on page 148](#)
 - [Configuring Frame Relay Parameters on page 149](#)
 - [Configuring Multilink PPP Bundles on page 153](#)
 - [Configuring Multilink ATM Inverse Multiplexing \(IMA\) Bundles on page 154](#)
 - [Configuring Bundle Protection Group Ports on page 159](#)
 - [Configuring Channelized Ports on page 162](#)
 - [Configuring LAG Parameters on page 168](#)
- [Service Management Tasks on page 169](#)
 - [Modifying or Deleting an MDA, MCM, or CMA on page 169](#)
 - [Modifying a Card Type on page 170](#)
 - [Deleting a Card on page 171](#)
 - [Deleting Port Parameters on page 171](#)

Preprovisioning Guidelines

7710 SR-Series routers have at least two ports located on CCM module to connect terminals to the router: a console port and an auxiliary port.

Configure parameters from a system console connected to a 7710 SR console port, using Telnet to access a 7710 SR remotely or SSH to open a secure shell connection.

Predefining Entities

In order to initialize a card, the chassis slot, line card type, and MDA type must match the preprovisioned parameters. In this context, *preprovisioning* means to configure the entity type (such as the line card type, MDA type, port, and interface) that is planned for a chassis slot, line card, or MDA. Preprovisioned entities can be installed but not enabled or the slots can be configured but remain empty until populated. *Provisioning* means that the preprovisioned entity is installed and enabled.

You can:

- Pre-provision ports and interfaces after the line card and MDA types are specified.
- Install line cards in slots with no preconfiguration parameters specified. Once the card is installed, the card and MDA types must be specified.
- Install a line card in a slot provisioned for a different card type (the card will not initialize). The existing card and MDA configuration must be deleted and replaced with the current information.

Preprovisioning a Port

Before a port can be configured, the slot must be preprovisioned with an allowed card type and the MDA must be preprovisioned with an allowed MDA type.

Some recommendations to configure a port include:

- Ethernet
 - Configure an access port for customer facing traffic on which services are configured. An encapsulation type may be specified in order to distinguish services on the port or channel. Encapsulation types are not required for network ports. To configure an Ethernet access port, refer to [on page 141](#).
- SONET/SDH
 - SONET/SDH can be used only when configuring an OC-3, OC-12 and OC-48 SONET paths on an appropriate MDA. To configure a SONET path, refer to [Configuring SONET/SDH Port Parameters on page 143](#).
Configure a network port or channel to participate in the service provider transport or infrastructure network.
Accounting policies can only be associated with network ports/channels and Service Access Ports (SAPs). Accounting policies are configured in the **config>log>accounting-policy** context. To configure an Ethernet network port, refer to [on page 141](#).
- Channelized
 - Channelized ports can only be configured on channel-capable MDAs such as the channelized Any Service Any Port MDAs or the channelized DS-1 CMA.

Maximizing Bandwidth Use

Once ports are preprovisioned, Link Aggregation Groups (LAGs), multilink-bundles (IMA), or Bundle Protection Groups (for example IMA BPGrps), can be configured to increase the bandwidth available between two nodes. Up to eight links can be grouped. All physical links or channels in a given LAG/bundle combine to form one logical connection. A LAG/bundle also provides redundancy in case one or more links that participate in the LAG/bundle fail. For command syntax, see [Configuring Multilink PPP Bundles on page 153](#) or [Configuring LAG Parameters on page 168](#). To configure channelized port for TDM, refer to section [Configuring Channelized Ports on page 162](#). To configure channelized port for Sonet/SDH high speed channels (ASAP MDAs only), refer to [Configuring SONET/SDH Port Parameters on page 143](#).

Basic Configuration

The most basic configuration must have the following:

- Identify chassis slot.
- Specify line card type (must be an allowed card type).
- Specify MCM slot for (not required for CMA)
- Specify MCM type (must be an allowed MCM type)
- Identify MDA slot.
- Specify MDA type (must be an allowed MDA type).
- Identify specific port to configure.

The following example displays some card configurations:

```
ALA-A>config# info
#-----
echo "Card Configuration"
#-----
card 1
  card-type iom-xp
  mcm 1
    mcm-type mcm-xp
  exit
  mcm 3
    mcm-type mcm-xp
  exit
  mda 1
    mda-type m60-10/100eth-tx
  exit
  mda 3
    mda-type m4-atmoc12/3-sfp
  exit
  mda 5
    mda-type c8-10/100eth-tx
  exit
  mda 6
    mda-type c1-lgb-sfp
  exit
  mda 7
    mda-type c8-chds1
  exit
  mda 8
    mda-type c4-ds3
  exit
exit
#-----
ALA-A> config#
```

Common Configuration Tasks

The following sections are basic system tasks that must be performed.

- [Configuring Cards, MDA Carrier Modules \(MCMs\) and Media Dependent Adapters \(MDAs\) on page 135](#)
- [Configuring Cards and Compact Media Adapters \(CMAs\) on page 136](#)
 - [Configuring MDA/CMA Access and Network Pool Parameters on page 137](#)
- [Configuring Ports on page 138](#)
 - [Configuring APS Parameters on page 139](#)
 - [Configuring Ethernet Port Parameters on page 141](#)
 - [Configuring SONET/SDH Port Parameters on page 143](#)
 - [Configuring Frame Relay Parameters on page 149](#)
 - [Configuring Multilink PPP Bundles on page 153](#)
 - [Configuring Channelized Ports on page 162](#)
- [Configuring LAG Parameters on page 168](#)
- [Service Management Tasks on page 169](#)

Configuring Cards, MDA Carrier Modules (MCMs) and Media Dependent Adapters (MDAs)

Card configurations must include a chassis slot designation. A slot must be preconfigured with the type of cards, MCMs, and MDAs which are allowed to be provisioned.

Note: Output for Media Dependent Adapters (MDAs) show an “m” in the **mda-type** description, for example, **m60-eth10/100-tx**.

Use the **config > info** command to display card configuration information:

```
A:7710-3>config# info
. . .
#-----
echo "Card Configuration"
#-----
card 1
  card-type iom-xp
  mcm 1
    mcm-type mcm-xp
  exit
  mcm 3
    mcm-type mcm-xp
  exit
  mda 1
    mda-type m60-eth10/100-tx
  exit
  mda 3
    mda-type m60-eth10/100-tx
  exit
exit
```

Configuring Cards and Compact Media Adapters (CMAs)

Card configurations must include a chassis slot designation. A slot must be preconfigured with the type of cards and CMAs which are allowed to be provisioned.

Note: Compact Media Adapters (CMAs) are configured using the MDA command. Output for Compact Media Adapter MDAs show a “c” in the **mda-type** description, for example, **c8-10/100eth-tx**.

Use the **config > info** command to display card configuration information:

```
A:7710-3>config# info
. . .
#-----
echo "Card Configuration"
#-----
    card 1
        card-type iom-xp
            mda 5
                mda-type c8-10/100eth-tx
            exit
            mda 6
                mda-type c8-10/100eth-tx
            exit
        exit
#-----
```

Configuring MDA/CMA Access and Network Pool Parameters

MDA-level pools are used by ingress network queues. Network policies can be applied (optional) to create and edit QoS pool resources on egress network ports, channels, and ingress MDAs. Network-queue and slope policies are configured in the `config>qos` context.

The following example displays an MDA pool configuration:

```
A:ALA-B>config>card>mda# info
-----
      mda-type m10-1gb-sfp
      network
        egress
          pool
            slope-policy "B"
          exit
        exit
      exit
    access
      ingress
        pool
          resv-cbs 50
          slope-policy "A"
        exit
      exit
    exit
  -----
A:ALA-B>config>card>mda#
```

Configuring Ports

This section provides the CLI syntax and examples to configure the following:

- [Configuring APS Parameters on page 139](#)
- [Configuring Ethernet Port Parameters on page 141](#)
- [Configuring SONET/SDH Port Parameters on page 143](#)
- [Configuring Channelized Ports on page 162](#)

Configuring APS Parameters

NOTE: It is recommended to group working lines and protect lines on separate IOMs.

APS configuration rules:

- A working port must be added first. Then a protection port can be added or removed at any time.
- A protection port must be shutdown before being removed from an APS group.
- A path cannot be configured on a port before the port is added to an APS group.
- A working port cannot be removed from an APS group until the APS port path is removed.
- When ports are added to an APS group, all path-level configurations are available only on the APS port level and configuration on the physical member ports are blocked.
- For a multi-chassis APS group, only one member circuit (either working or protect) can be added. Note that the neighbor IP address of an APS group must be configured before adding a member circuit in it. The configuration of a non-zero neighbor IP address indicates the APS group as multi-chassis. Thus, the member circuit and services must be removed before adding or removing the neighbor IP address (for example, before converting an APS group from multi-chassis to single-chassis or single-chassis to multi-chassis).
- Bundle Protection Group (BPGGrp) - A BPGGrp is a collection of two bundles created on the APS Group port. Working bundle resides on the working circuit of the APS group, while protection bundle resides on the protection circuit of the APS group. APS protocol running on the circuits of the APS Group port monitors the health of the Sonet/SDH line and based on it or administrative action moves user traffic from one bundle to another in the group as part of an APS switch.

The following displays sample configuration for an ATM SC-APS group that contains an aPipe SAP:

```
A:ALA-274>config# port (1/1/1)
-----
sonet-sdh
  speed oc3
exit
no-shutdown
-----
A:ALA-274>config>port# aps-1
-----
aps
  working-circuit 1/1/1
  protect-circuit 1/1/2
exit
sonet-sdh
  path
```

Configuring Ports

```
        atm
        exit
        no-shutdown
    exit
exit
no-shutdown
exit
-----
A:ALA-274>config>service# apipe 100
-----
    sap aps-1:0/100 create
    exit
    spoke-sdp 1:100 create
    exit
    no-shutdown
-----
```

The following displays an example of the configuration for the working circuit/node of a MC-APS group:

```
A:ALA-274>config>port (1/1/2)# info
-----
    description "APS Group"
    aps
        neighbor 13.1.1.2
        working-circuit 1/1/1
    exit
    no shutdown
-----
A:ALA-274>config>port#
```

The following displays an example of the configuration for the protect circuit/node of a MC-APS group:

```
A:ALA-274>config>port (1/2/2)# info
-----
    description "APS Group"
    aps
        neighbor 13.1.1.1
        protect-circuit 1/2/2
    exit
    no shutdown
-----
A:ALA-274>config>port#
```

Configuring Ethernet Port Parameters

Ethernet Network Port

A network port is network facing and participates in the service provider transport or infrastructure network processes.

The following example displays a network port configuration:

```
A:ALA-B>config>port# info
-----
      description "Ethernet network port"
      ethernet
      exit
      no shutdown
-----
A:ALA-B>config>port#
```

Ethernet Access Port

Services are configured on access ports used for customer-facing traffic. If a Service Access Port (SAP) is to be configured on a port, it must be configured as access mode. When a port is configured for access mode, the appropriate encapsulation type can be specified to distinguish the services on the port. Once a port has been configured for access mode, multiple services may be configured on the port.

```
A:ALA-A>config>port# info
-----
description "Ethernet access port"
access
  egress
    pool
      slope-policy "slopePolicy1"
    exit
  exit
exit
network
  egress
    pool
      slope-policy "slopePolicy2"
    exit
  exit
exit
ethernet
  mode access
  encap-type dot1q
exit
no shutdown
-----
A:ALA-A>config>port#
```

Configuring 802.1x Authentication Port Parameters

The following example displays an 802.1x port configuration:

```
A:ALA-A>config>port>ethernet>dot1x# info detail
-----
      port-control auto
      radius-plcy dot1xpolicy
      re-authentication
      re-auth-period 3600
      max-auth-req 2
      transmit-period 30
      quiet-period 60
      supplicant-timeout 30
      server-timeout 30
-----
```

Configuring SONET/SDH Port Parameters

SONET/SDH features can only be configured on ports on the following MDAs and CMAs:

- OC-3 (CMA/MDA)
- OC-3 ASAP
- OC-12/3 (CMA/MDA)
- OC-48 (MDA)
- OC-12 ASAP
- ATM OC-12/3 (MDA)
- Channelized ASAP OC12

SONET/SDH Network Port

The following example displays a SONET/SDH network mode configuration:

```
A:ALA-A>config>port# info
-----
description "SONET/SDH network port"
sonet-sdh
  path
  no shutdown
  exit
exit
no shutdown
-----
A:ALA-A>config>port#
```

SONET/SDH Access Port

The following example displays a SONET/SDH access port configuration:

```
A:ALA-A>config>port# info
-----
      description "SONET/SDH access port"
      sonet-sdh
        path
          mode access
          encap-type frame-relay
          mac 00:03:47:c8:b4:86
          frame-relay
          exit
          no shutdown
        exit
      exit
      no shutdown
-----
A:ALA-A>config>port#
```

Configuring Cpipe Port Parameters

Before a Cpipe service can be provisioned, the following entities must be configured.

- [Configuring a DS1 Port on page 146](#)
- [Configuring a Channel Group on page 146](#)

Configuring a DS1 Port

The following displays an example of a DS1 port configured for CES.

```
A:sim216# show port 1/5/1.1.3.1
=====
TDM DS1 Interface
=====
Description          : DS1
Interface            : 1/5/1.1.3.1
Type                 : ds1
Admin Status         : up
Physical Link        : yes
Signal Mode          : none
Last State Change   : 10/31/2006 14:23:12
Loopback             : none
Remote Loop respond : false
Load-balance-algo   : default
BERT Duration        : N/A
BERT Synched         : 00h00m00s
BERT Errors          : 0
BERT Total Bits      : 0
Cfg Alarm            : ais los
Alarm Status         :
Framing              : esf
Oper Status          : up
Clock Source         : loop-timed
Channel IfIndex      : 580943939
Invert Data          : false
In Remote Loop       : false
Egr. Sched. Pol     : n/a
BERT Pattern         : none
Err Insertion Rate   : 0
BERT Status          : idle
=====
A:sim216#
```

Configuring a Channel Group

The following displays an example of a DS1 channel group configured for CES.

```
A:sim216# show port 1/5/1.1.3.1
=====
TDM DS0 Chan Group
=====
Description          : DS0GRP
Interface            : 1/5/1.1.3.1
TimeSlots           : 1-12
Speed                : 64
Admin Status         : up
Physical Link        : Yes
Last State Change   : 10/31/2006 14:23:12
Configured mode     : access
Admin MTU            : 4112
Bundle Number        : none
CRC                  : 16
Oper Status          : up
Chan-Grp IfIndex    : 580943940
Encap Type           : cem
Oper MTU             : 4112
```

Interface Configuration

```
Idle Cycle Flags   : flags                Load-balance-algo   : default
Egr. Sched. Pol   : n/a
=====
A:sim216#
```

Configuring ATM SAPs

ATM SAP in an IES Service

The following displays an IES service SAP configuration:

```
:ALA-701>config>service>ies# info
-----
      interface "atm_1" create
          address 2.3.4.1/24
          sap 1/1/1:17/24 create
          exit
      exit
      interface "atm_2" create
          address 2.4.5.1/24
          sap 1/1/1:18/300 create
          exit
      exit
      no shutdown
-----
B:ALA-701>config>service>ies#
```

ATM SAP in an Epipe Service

The following displays an Epipe service SAP configuration:

```
B:ALA-701>config>service# info
-----
...
      epipe 5 customer 1 create
          shutdown
          sap 1/1/2:15/25 create
          exit
          sap 1/1/3:25/35 create
          exit
      exit
-----
B:ALA-701>config>service#
```

Configuring Frame Relay Parameters

Frame Relay pipes are used to provide customer-to-customer Frame Relay PVCs or to interconnect individual Frame Relay clouds.

Frame Relay parameters can only be configured in SONET/SDH and channelized TDM MDA contexts.

The following example displays a channelized interface configuration:

```
A:ALA-7>config>port# info detail
-----
description "DS3/E3"
...
tdm
  buildout long
  ds3 ds3
    type t3
    channelized
    clock-source loop-timed
    framing c-bit
    no feac-loop-respond
    no mdl
    no mdl-transmit
    no loopback
    report-alarm ais los
    no report-alarm oof rai looped
    no shutdown
  exit
  ds1 ds1-1
    shutdown
    framing esf
    no loopback
    report-alarm ais los
    no report-alarm oof rai looped
    channel-group 1
      description "DS3/E3"
      mode access
      encap-type frame-relay
      no mtu
      no mac
      timeslots 1
      speed 64
      crc 16
      frame-relay
        lmi-type itu
        mode dte
        n393dce 4
        n393dte 4
        n391dte 6
        n392dce 3
        n392dte 3
        t391dte 10
        t392dce 15
      exit
    exit
```

Configuring Ports

```
no shutdown
exit
exit
exit
no shutdown
-----
A:ALA-7>config>port#
```

SONET/SDH Interfaces

This section applies also to FR interfaces on Sonet/SDH high-speed channels on ASAP MDAs. In order to configure Frame Relay on the associated port/channel, the `frame-relay` encapsulation type must be specified.

The following output displays a Frame Relay encapsulation type and the Frame Relay defaults.

```
A:ALA-7>config>port# info detail
-----
description "OC-3/OC-12 SONET/SDH"
access
  ingress
    pool default
      resv-cbs default
      slope-policy "default"
    exit
  exit
  egress
    pool default
      resv-cbs sum
      slope-policy "default"
    exit
  exit
exit
network
  egress
    pool default
      resv-cbs default
      slope-policy "default"
    exit
  exit
exit
sonet-sdh
  framing sonet
  clock-source node-timed
  no loopback
  speed ocl2
  report-alarm loc lrldi lb2er-sf slof slo
  no report-alarm lais sslf lb2er-sd lrei
  threshold ber-sd rate 6
  threshold ber-sf rate 3
  section-trace byte 0x1
  path
    description "OC-3/OC-12 SONET/SDH"
    mode access
    encap-type frame-relay
    no mtu
    no mac
    crc 32
    no scramble
    trace-string "Alcatel 7750 ALA-"
    report-alarm plop pplm puneq
    no report-alarm pais prdi prei
    signal-label 0xcf
```

Configuring Ports

```
        frame-relay
          lmi-type itu
          mode dte
          n393dce 4
          n393dte 4
          n391dte 6
          n392dce 3
          n392dte 3
          t391dte 10
          t392dce 15
        exit
      no shutdown
    exit
  exit
no shutdown
-----
A:ALA-7>config>port# pwc
```

Configuring Multilink PPP Bundles

Multilink bundles can have from 1 to 8 members (ports) specified. The bundles aggregate channelized ports which define available bandwidth to carry data over a DS1 channel. 56 multilink bundles can be configured per MDA. 256 MLPPP groups are supported per ASAP MDA. Each bundle represents a single connection between two routers.

Multilink bundling is based on a link control protocol (LCP) option negotiation that permits a system to indicate to its peer that it is capable of combining multiple physical links into a bundle.

Multilink bundling operations are modeled after a virtual PPP link-layer entity where packets received over different physical link-layer entities are identified as belonging to a separate PPP network protocol (the Multilink Protocol, or MP) and recombined and sequenced according to information present in a multilink fragmentation header. All packets received over links identified as belonging to the multilink arrangement are presented to the same network-layer protocol processing machine, whether they have multilink headers or not.

When you configure multilink bundles, consider the following guidelines:

- Multilink bundle configuration should include at least two ports.
- A maximum of 8 ports can be included in a multilink bundle.
- Multilink bundles can only be aggregated on a single MDA.

```
A:ALA-A>config# port bundle-5/2.1
A:ALA-A>config>port# multilink-bundle
A:ALA-A>config>port>ml-bundle# member 5/2/1.ds0grp-1.1
A:ALA-A>config>port>ml-bundle# member 5/2/1.ds0grp-2.2
A:ALA-A>config>port>ml-bundle# member 5/2/1.ds0grp-1.1
```

Configuring Multilink ATM Inverse Multiplexing (IMA) Bundles

IMA bundles are supported on Channelized ASAP MDAs. The bundles aggregate E1 or DS1 ATM channels into a single logical ATM interface.

IMA Bundles

Use the following CLI syntax to configure IMA bundle parameters:

```
CLI Syntax: configure# port bundle-type-slot/mda.bundle-num
                description description-string
                multilink-bundle
                    fragment-threshold value
                ima
                    atm
                        cell-format {uni|nni}
                        min-vp-vpi vp-vpi-value
                    exit
                    link-delay {activate |deactivate} milli-seconds
                    max-bandwidth number-links
                    version ima-version
                red-differential-delay red-diff-delay down
                member port-id
```

Configuration notes:

An IMA group has common interface characteristics (for example, configuration that applies to a logical ATM interface either configured via the IMA group context or taken from the primary link) The following list details those common IMA group interface characteristics:

- Encapsulation type (ATM)
- ATM interface characteristics (under the ATM menu context)
- Interface mode type (only access is supported)
- MTU value (derived from the primary link)

Member links inherit those common characteristics from the IMA group that they are part of and as long as they are part of an IMA group. Characteristics derived from the primary link (MTU, interface mode type) can be changed on the primary link only and not on other links in the bundle or a bundle itself. The primary link is the member which has the lowest ifindex. When a member is added/deleted the primary member may be changed based on ifIndices of all member links.

Once a path becomes part of an IMA group logical link, the path ceases to exist as a physical ATM path interface. This means that:

1. ATM interface bundle characteristics enforced over the link. Note that when a link is removed from an IMA bundle, the link's ATM characteristics are reset to ATM interface defaults.
2. No services can be configured on the member link itself.

After the primary member has been added each additional member added to the group will only be accepted if it matches the configuration of the IMA group. ATM interface characteristics are not part of this verification as they are overwritten/reset to defaults when a link is added to/removed from an IMA bundle.

Upon addition to an IMA group, each added member gets automatically assigned an IMA link Id. IMA link Ids are in range from 0 to 7 and stay constant as long as the router does not reboot.

When configuring IMA bundles, consider the following guidelines:

- IMA bundles should contain at least two members.
- A maximum of eight members can be included in an IMA bundle.
- IMA links can only be aggregated into a bundle within a single MDA.
- IMA group maximum bandwidth and minimum link settings allows, by default, for oversubscription of shaped services; however when that occurs scheduling of traffic over an IMA group ATM interface degrades to round-robin between shaped services, therefore to preserve full ATM TM even during a member link failure, it is recommended that maximum bandwidth is set to minimum links.
- When configuring the red differential delay for IMA groups on ASAP MDAs, the value configured is converted into acceptable frame sequence number delay on a link since delay is granular to IMA frame sequence number difference. For E1 channels (receiving frame time 27ms), configured values map to the enforced values as follows: 0 ms maps to 0 frame sequence number difference (27ms delay), 1-27 ms maps to 1 frame sequence number difference (54 ms delay), 28 - 50 ms maps to 2 frame sequence number difference (81 ms delay). Similarly, for DS1 channels (receiving frame time 35 ms), configured values map to enforced values as follows: 0 ms maps to 0 frame sequence number difference (35 ms delay), 1-35 ms maps to 1 frame sequence number difference (70 ms delay), 36 - 50 ms maps to 2 frame sequence number difference (105 ms delay).
- When a channel is deleted from an IMA group it is recommended that a deletion takes place at the far end first when the far end supports graceful deletion to ensure no cell loss takes place on the 7750 RX end of the channel. When a channel is deleted on the 7750 end first, a small data loss will take place on the 7750 RX side (depending on the time required for the far end to deactivate its TX on the link being deleted).
- When no member links are configured on an IMA group, the speed of an E1 channel will be used to compute the maximum IMA group bandwidth that may be allocated to shaped services.
- The shutdown command for IMA groups sets the IMA group state to “Blocking”. This makes the group operationally down but will not bring down the individual IMA links. Services configured on the IMA group will go operationally down as well.

Configuring Ports

- The 7750 supports automatic IMA version changing when the far end IMA group version matches the configured version. The group will remain operationally down until one of the IMA groups changes version.
- When adding member links to an IMA group, the clock-source of the e1 or ds1 link must be set to node-timed.

The following example illustrates creation of an IMA bundle with 3 group members residing on a channelized OC-3 ASAP MDA in slot 5/2/1:

```
A:ALA-A>config# port bundle-ima-5/2.1
A:ALA-A>config>port# multilink-bundle
A:ALA-A>config>port>ml-bundle# member 5/2/1.1.1.1
A:ALA-A>config>port>ml-bundle# member 5/2/1.1.2.1
A:ALA-A>config>port>ml-bundle# member 5/2/1.1.3.1
```

Multi-Class MLPPP

The following guidelines apply to multi-class MLPPP:

- MC-MLPPP must be configured before links are added to a bundle.
- MC-MLPPP and LFI (**config>port>multilink-bundle>interleave-fragments**) are mutually exclusive.
- MC-MLPPP is not supported when port is configured as **network** mode.
- MC-MLPPP can be enabled on every MLPPP bundle and bundle protection group.
- MC-MLPPP is supported only on ASAP MDAs (for example, m4-choc3-as-sfp, m1-choc12-as-sfp, m4-chds3-as, m12-chds3-as).
- Short and long sequence packet formats are supported (both ends must be of the same type) with static mapping of forwarding classes to MC-MLPPP class (based on the number of classes negotiated with the far end).
- Single fragment size for all classes is supported.
- Prefix elision is not supported. The prefix elision (compressing common header bytes) option advises the peer that, in each of the given classes, the implementation expects to receive only packets with a certain prefix; this prefix is not to be sent as part of the information in the fragment(s) of this class.
- Fractional DS1/E1 MLPPP links are supported. This is applicable to MLPPP bundles on ASAP MDAs. Fractional E1 and Fractional DS1 links cannot be combined in the same bundle.

IMA Test Procedure

Use the following CLI to perform IMA Test Pattern Procedure on a member link of an IMA group:

```

CLI Syntax: configure# port bundle-type-slot/mda.bundle-num
                multilink-bundle
                ima
                test-pattern-procedure
                  test-link port-id
                  test-pattern [pattern]
                  no shutdown
  
```

An operator can deploy IMA test procedures to verify operations of IMA group and its member links. Following is a list of key points about the test pattern procedure.

1. The test procedure is performed as defined by the IMA specification version 1.1, i.e. a test pattern is sent over the specified link and is expected to be looped back over all the links in the group. ICP cells are used to perform the test.
2. The test procedure is not traffic affecting, for example, data traffic will not be affected by the ongoing test.
3. There can only be a single test executed per an IMA group at any given time
4. The IMA member link must exist in the specified group for the command to be accepted.
5. The test-pattern-procedure must be shutdown before a new test-link value or test pattern is accepted.
6. The current IMA group test pattern configuration and result of a given IMA test can be seen by executing a show command for the IMA group. A test-link result can have three values:
 - a. Disabled: The test-link is currently not running.
 - b. Operating: The test pattern procedure is **no shutdown** and there are currently no failed-links for this running test-pattern-procedure.
 - c. Link-Failed: One or more links have failed the test-pattern-procedure. Execute a **show port <slot/mda/port.sonet-sdh-index> ima-link** command to see the failed link and received pattern value.
7. Deleting a member link that is the same as the specified test-link, to stay in compliance with key point 4, will result in the test-link value being reset to default.
8. IMA test procedure configurations are not saved when the admin save command is executed.

Configuring Bundle Protection Group Ports

Bundle Protection groups enable APS protection of one bundle residing on a working circuit of an APS group port by another bundle residing on the protection circuit of that APS group port. Bundle protection groups apply to MLPPP as well, and are configured the same way. The following examples show the process to configure BPGrp on ASAP MDAs to provide an APS protection for an IMA/MLPPP bundle.

First, two ASAP MDAs must be configured.

Example:

```
config# card 3
config>card# mda 2
config>card>mda# mda-type m4-choc3-as-sfp
config>card>mda# no shutdown
config>card>mda# exit
config>card# exit
config# card 10
config>card# mda 2
config>card>mda# mda-type m4-choc3-as-sfp
config>card>mda# no shutdown
config>card>mda# exit
```

Configure an APS group with working and protection circuits on the ASAP MDAs.

Example:

```
config# port aps-1
config>port# aps
config>port>aps# working-circuit 3/2/1
config>port>aps# protect-circuit 10/2/1
config>port>aps# exit
config>port# no shutdown
```

Create eight ATM DS1 channels on the APS group.

Example:

```
config>port>aps#
config>port# sonet-sdh
config>port>sonet-sdh# path sts1-1
config>port>sonet-sdh>path# no shutdown
config>port>sonet-sdh>path# exit
config>port>sonet-sdh# exit
config>port# tdm
config>port>tdm#
config>port>tdm# ds3 1
config>port>tdm>ds3# channelized ds1
config>port>tdm>ds3# no shutdown
config>port>tdm>ds3# exit
config>port>tdm# ds1 1.1
config>port>tdm>ds1# channel-group 1
config>port>tdm>ds1>channel-group# encap-type atm
```

Configuring Ports

```
config>port>tdm>dsl>channel-group# no shutdown
config>port>tdm>dsl>channel-group# exit
config>port>tdm# ds1 1.8
config>port>tdm>dsl# channel-group 1
config>port>tdm>dsl>channel-group# encap-type atm
config>port>tdm>dsl>channel-group# no shutdown
config>port>tdm>dsl>channel-group# exit
```

Next, configure an IMA-type/MLPPP-type BPGrp with working and protection bundles on working and protection circuits of aps-1 and members the created DS1s (this creates 2 IMA bundles, one on working and one on protection circuit):

Example:

```
config# port bpgrp-ima-1
config>port# multilink-bundle
config>port>multilink-bundle# working-bundle bundle-ima-1/1.1
config>port>multilink-bundle# protect-bundle bundle-ima-2/1.1
config>port>multilink-bundle# member aps-1.1.1.1
config>port>multilink-bundle# member aps-1.1.2.1
config>port>multilink-bundle# member aps-1.1.3.1
config>port>multilink-bundle# member aps-1.1.4.1
config>port>multilink-bundle# member aps-1.1.5.1
config>port>multilink-bundle# member aps-1.1.6.1
config>port>multilink-bundle# member aps-1.1.7.1
config>port>multilink-bundle# member aps-1.1.8.1
config>port>multilink-bundle# exit
config>port>multilink-bundle# no shutdown
config>port>multilink-bundle# exit
config>port# no shutdown
```

Finally, a service can be configured on this bundle using the BPGrp ID (for example, an ATM VC 0/32 SAP would be: `sap bpgrp-ima-1:0/32`).

Configuration Notes and Guidelines:

- Any configuration on a BPGrp applies to both the working and protection bundle.
- Working and protection bundles can be shutdown individually.
- Services cannot be configured on a BPGrp until at least one member link has been configured.

- The published switchover times for bundle protection groups on the router are dependent on the far end being able to recover from cell loss within that time. To ensure this, the following recommendations are given:
 - The BPGGrp link activation timer should be configured to a value small enough to allow a quick recovery from any IMA failure occurring during the switchover. A recommended value is 1 second.
 - The ADM that terminates APS should support standard APS switchover time requirements.
 - The far end IMA/MLPPP links must be able to tolerate cell loss during APS switchover without bringing links down. This includes, for example, a combination of link activation/deactivation and appropriate configuration of TDM/SONET debounce timers.
 - Because of the temporary cell loss during the APS switchover, the far end IMA/MLPPP will experience a misalignment between individual links within an IMA/MLPPP group. The far end IMA/MLPPP group must support fast-realignment of links without having to bring the links down. The router synchronizes the IMA/MLPPP streams the far end receives between switchovers in an effort to cause the least amount of misalignment.
 - To increase the BPGGrp robustness, it is recommended to provision more IMA/MLPPP links than is required and set the minimum links and max bandwidth parameters to the number of required links. This type of configuration is required on the far end as well.

Configuring Channelized Ports

- [Configuring Cisco HDLC on a Channelized Port on page 166](#)

When configuring channelized ports, the port ID is specified in different ways depending on the MDA type and level of channelization. Ethernet ports cannot be channelized.

The 7710 SR supports a channelized DS1 card (c8-chds1). The channelization is as follows:

```
N*DS0 in DS1  port.{1..24}
```

```
N*DS0 in E1   port.{1..32}
```

A port ID for channels has one of the following syntax as applicable to channelization and mapping options where the port configuration syntax is slot/mda/port ([Table 28](#)):

Table 28: Channelized Port Syntax Examples

Channel speed	PortID for Physical Port Speed	
	OC12/STM4	OC3/STM1
SONET/SDH		
STS12/STM4	port.sts12	N/A
STS3/STM1	port.sts3-{1..4}	port.sts3
STS1/STM0	port.sts1-{1..4}.{1..3}	port.sts1-{1..3}
TUG3	port.tug3-{1..4}.{1..3}	port.tug3-{1..3}
TU3	port.tu3-{1..4}.{1..3}	port.tu3-{1..3}
VT15/VC1.1	port.vt15-{1..4}.{1..3}.{1..4}.{1..7}	port.vt15-{1..3}.{1..4}.{1..7}
VT2/VC12	port.vt2-{1..4}.{1..3}.{1..3}.{1..7}	port.vt2-{1..3}.{1..3}.{1..7}
TDM		
DS3/E3	port.{1..4}.{1..3}	port.{1..3}
DS1 in DS3	port.{1..4}.{1..3}.{1..28}	port.{1..3}.{1..28}
DS1 in VT2	port.{1..4}.{1..3}.{1..3}.{1..7}	port.{1..3}.{1..3}.{1..7}
DS1 in VT15	port.{1..4}.{1..3}.{1..4}.{1..7}	port.{1..3}.{1..4}.{1..7}
E1 in DS3	port.{1..4}.{1..3}.{1..21}	port.{1..3}.{1..21}
E1 in VT2	port.{1..4}.{1..3}.{1..3}.{1..7}	port.{1..3}.{1..3}.{1..7}
N*DS0 in DS1 in DS3	port.{1..4}.{1..3}.{1..28}.{1..24}	port.{1..3}.{1..28}.{1..24}
N*DS0 in DS1 in VT2	port.{1..4}.{1..3}.{1..3}.{1..7}.{1..24}	port.{1..3}.{1..3}.{1..7}.{1..24}
N*DS0 in DS1 in VT15	port.{1..4}.{1..3}.{1..4}.{1..7}.{1..24}	port.{1..3}.{1..4}.{1..7}.{1..24}
N*DS0 in E1 in DS3	port.{1..4}.{1..3}.{1..21}.{2..32}	port.{1..3}.{1..21}.{2..32}
N*DS0 in E1 in VT2	port.{1..4}.{1..3}.{1..3}.{1..7}.{2..32}	port.{1..3}.{1..3}.{1..7}.{2..32}

Verify the MDA Type

To make sure you have a channel-capable MDA or CMA, verify the MDA-type you are configuring by entering a **show mda slot-id** command.

In the following example, MDA 7 shows a channelized DS1 CMA.

```
A:7710-3>config# show mda
=====
MDA Summary
=====
```

Slot	Mda	Provisioned Mda-type	Equipped Mda-type	Admin State	Operational State
1	1	m60-10/100eth-tx	m60-10/100eth-tx	up	up
	3	m4-atmoc12/3-sfp	m4-atmoc12/3-sfp	up	up
	5	c8-10/100eth-tx	c8-10/100eth-tx	up	up
	6	c1-lgb-sfp	c1-lgb-sfp	up	up
	7	c8-chds1	c8-chds1	up	up
	8	c4-ds3	c4-ds3	up	up

```
=====
A:7710-3>

A:7710-3>config# show mda 1/7 detail
=====
MDA 1/7 detail
=====
```

Slot	Mda	Provisioned Mda-type	Equipped Mda-type	Admin State	Operational State
	7	c8-chds1	c8-chds1	up	up

```
MDA Specific Data
Maximum port count           : 8
Number of ports equipped     : 8
Network ingress queue policy : default
Capabilities                  : TDM, PPP, FR
Min channel size              : PDH DS0 Group
Max channel size              : PDH DS1
Max number of channels        : 64
Channels in use               : 0

Hardware Data
Part number                   : Sim Part#
CLEI code                     : Sim CLEI
Serial number                  : mda-7
Manufacture date              : 01012003
Manufacturing string          : Sim MfgString mda-7
Manufacturing deviations      : Sim MfgDeviation mda-7
Administrative state          : up
Operational state             : up
Temperature                   : 35C
Temperature threshold         : 75C
Time of last boot             : 2006/10/02 09:28:22
Current alarm state           : alarm cleared
Base MAC address              : 04:7b:01:07:00:01
=====
```

Configuring Ports

```
A:7710-3>
```

In the TDM E1 context, configure DS0 channel groups and their parameters. For a DS1 channel-group, up to 24 timeslots can be assigned (numbered 1..24). For an E1 channel-group, up to 31 timeslots can be assigned (numbered 2..32). For ATM, all timeslots are auto-configured when a channel group gets created (there is no sub-E1 for ATM). ATM, Frame Relay and BCP-NUL encapsulation examples follow:

```
ALA-A>config>port>tdm# e1 1.1
ALA-A>config>port>tdm>el# channel-group 1
ALA-A>config>port>tdm>el>channel-group# timeslots 2
ALA-A>config>port>tdm>el>channel-group# no shutdown
ALA-A>config>port>tdm>el>channel-group#
ALA-A>config>port>tdm>el# no shutdown
ALA-A>config>port>tdm>el# channel-group 2
ALA-A>config>port>tdm>el>channel-group# timeslots 3
ALA-A>config>port>tdm>el>channel-group# encap-type frame-relay
ALA-A>config>port>tdm>el>channel-group# no shutdown
ALA-A>config>port>tdm>el>channel-group# exit
ALA-A>config>port>tdm>el# channel-group 3
ALA-A>config>port>tdm>el>channel-group# timeslots 11,12
ALA-A>config>port>tdm>el>channel-group# encap-type cisco-hdlc
ALA-A>config>port>tdm>el>channel-group# no shutdown
ALA-A>config>port>tdm>el>channel-group# exit
ALA-A>config>port>tdm>el# no shutdown
ALA-A>config>port>tdm>el# exit
ALA-A>config>port>tdm# e1 1.2
ALA-A>config>port>tdm>el# no shutdown
ALA-A>config>port>tdm>el# channel-group 1
ALA-A>config>port>tdm>el>channel-group# encap-type atm
ALA-A>config>port>tdm>el>channel-group# no shutdown
ALA-A>config>port>tdm>el>channel-group# exit
ALA-A>config>port>tdm>el# no shutdown
ALA-A>config>port>tdm# info
```

```
-----
tdm
  ds3 1
    no shutdown
  exit
  e1 1.1
    channel-group 1
      timeslots 2
      no shutdown
  exit
  channel-group 2
    encap-type frame-relay
    frame-relay
    exit
    timeslots 10
    no shutdown
  exit
  channel-group 3
    encap-type cisco-hdlc
    cisco-hdlc
    exit
    timeslots 11,12
    no shutdown
```

```
        exit
        no shutdown
    exit
    el 1.2
        channel-group 1
            encap-type atm
            atm
            exit
            no shutdown
        exit
        no shutdown
    exit
    no shutdown
-----
ALA-A>config>port>tdm#
```

Services can now be applied to the configured channelized ports.

Configuring Cisco HDLC on a Channelized Port

Use the following CLI syntax to configure cHDLC:

```
CLI Syntax: config# port {port-id | bundle-id | aps-id}
                tdm
                  ds3 [sonet-sdh-index]
                      channelized {ds1|e1}
                      no shutdown
                  ds1
                      channel-group channel-group
                      cisco-hdlc
                          down-count down-count
                          keepalive time-interval
                          up-count up-count
                      encap-type {bcp-null|bcp-dot1q|ipcp|ppp-auto|frame-
                      relay|wan-mirror|cisco-hdlc}
                      timeslots timeslots
                      no shutdown
```

The following example displays SONET/SDH access mode configuration command usage:

```
Example:A:ALA-29>config>port>tdm# ds3
A:ALA-29>config>port>tdm>ds3# channelized ds1
A:ALA-29>config>port>tdm>ds3# no shutdown
A:ALA-29>config>port>tdm>ds3# exit
A:ALA-29>config>port>tdm# ds1 1
A:ALA-29>config>port>tdm>ds1# no shutdown
A:ALA-29>config>port>tdm>ds1# channel-group 1
A:ALA-29>config>port>tdm>ds1>channel-group# timeslots 1-20
A:ALA-29>config>port>tdm>ds1>channel-group# encap-type cisco-hdlc
A:ALA-29>config>port>tdm>ds1>channel-group# exit
A:ALA-29>config>port>tdm>ds1# channel-group 1
A:ALA-29>config>port>tdm>ds1>channel-group# no shutdown
A:ALA-29>config>port>tdm>ds1>channel-group# exit
A:ALA-29>config>port>tdm>ds1# exit
A:ALA-29>config>port>tdm#
```

The following example displays a configuration:

```
A:ALA-29>config>port# inf
-----
      tdm
        ds3
          channelized ds1
          no shutdown
        exit
        ds1 1
          channel-group 1
          encap-type cisco-hdlc
          timeslots 1-20
          cisco-hdlc
          exit
          no shutdown
        exit
        no shutdown
      exit
    exit
  no shutdown
-----
A:ALA-29>config>port#
```

Configuring LAG Parameters

LAG configurations should include at least two ports. Other considerations include:

- A maximum of eight ports can be included in a LAG. All ports in the LAG must share the same characteristics (speed, duplex, hold-timer, etc.). The port characteristics are inherited from the primary port.
- Autonegotiation must be disabled or set limited mode for ports that are part of a LAG to guarantee a specific port speed.
- Ports in a LAG must be configured as full duplex.

The following example displays LAG configuration output:

```
A:ALA-A>config>lag# info detail
-----
description "LAG2"
mac 04:68:ff:00:00:01
port 1/1/1
port 1/3/1
port 1/5/1
port 1/7/1
port 1/9/1
dynamic-cost
port-threshold 4 action down
-----
A:ALA-A>config>lag#
```

Service Management Tasks

This section discusses basic procedures of the following service management tasks:

- [Modifying or Deleting an MDA, MCM, or CMA on page 169](#)
- [Modifying a Card Type on page 170](#)
- [Deleting a Card on page 171](#)
- [Deleting Port Parameters on page 171](#)

Modifying or Deleting an MDA, MCM, or CMA

To change an MDA or CMA type already provisioned for a specific slot/card, first you must shut down the slot/MDA/port configuration and then delete the MDA, CMA, and/or the MCM from the configuration.

Note: To modify or delete CMAs, use the MDA command structure.

Use the following CLI syntax to modify an MDA:

CLI Syntax: `config> port port-id
shutdown`

CLI Syntax: `config> card slot-number
shutdown
[no] mda mda-number
[no] mda-type mda-type
shutdown`

Note: It is not required to shutdown and remove an MCM to remove or modify an MDA. Use the following sequence if changing the MCM type or slot configuration.

CLI Syntax: `config> card slot-number
shutdown
[no] mcm mcm-number
no mcm-type mcm-type
shutdown`

Modifying a Card Type

In order to modify the card type already provisioned for a specific slot, you must shutdown existing port configurations and shutdown and remove all MDA or CMA configurations. After removing MDA configurations, shutdown and remove the MCM from service before modifying the card.

Note: CMAs do not require an MCM, therefore, if removing a CMA-type MDA from service, it is not required to shutdown and remove an MCM before modifying the card.

Use the following CLI syntax to modify a card type already provisioned for a specific slot:

CLI Syntax: `config> port port-id
[no] shutdown`

CLI Syntax: `config> card slot-number
mda mda-number
[no] mda-type mda-type
[no] shutdown`

CLI Syntax: `config> card slot-number
shutdown
[no] mcm mcm-number
no mcm-type mcm-type
shutdown`

Deleting a Card

In order to delete the card type provisioned for a specific slot, you must shutdown existing port configurations and shutdown and remove all MDA or CMA configurations. After removing MDA configurations, you may shutdown and remove the MCM from service before modifying the card.

Note: CMAs do not require an MCM, therefore, if removing a CMA-type MDA from service, it is not required to shutdown and remove an MCM before modifying the card:

Use the following CLI syntax to delete a card provisioned for a specific slot:

CLI Syntax: `config> port port-id
shutdown`

CLI Syntax: `config> card slot-number
card-type card-type
mcm mcm-number
no mcm-type mcm-type
no shutdown
mda mda-number
no mda-type mda-type
no shutdown`

Deleting Port Parameters

Use the following CLI syntax to delete a port provisioned for a specific card:

CLI Syntax: `config>port port-id
shutdown
no port port-id`

9. numbered2

Use the following CLI syntax to delete a port provisioned for a specific card or CMA:

CLI Syntax: `config>port port-id
shutdown`

Soft IOM Reset

This section discusses basic procedures of the following service management tasks:

- [Soft Reset on page 172](#)
 - [Deferred MDA Reset on page 173](#)
-

Soft Reset

Soft reset is an advanced high availability feature that greatly reduces the impact of IOM/IMM resets either during a software upgrade or during other maintenance or debug operations. The combination of In Service Software Upgrade (ISSU) and Soft reset maximizes service availability in an operational network.

A soft reset re-initializes the control plane while the data plane continues operation with only very minimal impact to data forwarding. During the soft reset some processes that rely on the IOM control plane will not run for a duration that is similar to the duration of an IOM Hard reset. These processes include the updating of the IP forwarding table on the IOM (IP FIB downloads from the CPM), Layer 2 learning of new MAC addresses on the IOM, updating of the MAC forwarding table (for MAC addresses learned from other IOMs), ARP, Ethernet OAM 802.3ah, LLDP and handling for certain ICMP functions such as Can't Fragment, Redirect, Host Unreachable, Network Unreachable and TTL Expired. Note that protocols and processes on the CPM continue to operate during a Soft Reset (BGP continues to learn new routes from peers, and the new routes will be downloaded to the IOM once the Soft Reset has completed).

The combination of the very small data plane impact and special soft reset enhancements for protocols ensures that most protocols do not go down and no visible impacts to most protocols are detected externally to the SR/ESS platforms. BFD timers are temporarily increased for the duration of a soft reset in order to keep BFD sessions up. Protocols such as BGP, OSPF, IS-IS, PIM, LACP, etc with default timers remain up. A protocol using aggressive timers may go down momentarily during a soft reset.

Note that although the majority of protocols stay up during a Soft Reset, there are some limitations for a few protocols. Refer to the Known Limitations section of the Release Notes for the relevant release for details.

The soft IOM reset procedure is applicable during the ISSU process and for a manual soft reset procedure.

To manually perform a soft IOM reset, enter the **clear card card-number soft** command.

Soft Reset is supported on Ethernet IMMs and on IOMs that have Ethernet MDAs provisioned only. IOMs that have non-Ethernet MDAs provisioned cannot be Soft Reset.

The **show card** and **show mda** commands indicate that a soft IOM reset is occurring during the soft reset process.

Soft Reset is not supported on the following platforms: 7750 SR-1, 7450 ESS-1, 7710/7750 SR-c4. On the 7710/7750 SR-c12 platforms, Soft Reset is not supported but the ISSU procedure will avoid resetting soft reset capable MDAs/CMAs.

Deferred MDA Reset

As part of an ISSU, soft reset is supported even if the (old) firmware version on the MDAs is not the same as the (new) firmware version in the software load to which the operator is upgrading. The soft reset is allowed to proceed by leaving the previous version of the firmware running while upgrading the rest of the MDA/IOM/IMM. The operator can then issue a hard reset of the MDA/IMM at some time in the future to upgrade the firmware.

The soft reset is only allowed to proceed if the older firmware is compatible with the new IOM/IMM software load. Otherwise the soft reset is blocked and a hard reset must be used instead.

After a soft reset has completed, a log event will be raised if necessary to warn the operator that the MDA (or IMM) is running older firmware and that they can perform a hard reset of the MDA (or IMM) at some point if desired.

If the MDA/IMM is never hard reset by the operator, and then in the future another s/w upgrade is performed, and the older firmware is no longer compatible with the newest load being upgraded to, then the soft reset will be blocked (or an automatic hard reset will occur for Major ISSU).

Card, MDA, and Port Command Reference

Command Hierarchies

Card and MDA Configuration Commands

- [Hardware Commands on page 176](#)
 - [Card Commands on page 176](#)
 - [MDA Commands on page 176](#)
 - [MCM Commands on page 176](#)
- [Port Configuration Commands on page 178](#)
- [Port APS Commands on page 180](#)
- [Ethernet Commands on page 181](#)
- [Multilink Bundle Commands on page 186](#)
- [SONET/SDH Commands on page 188](#)
- [SONET Path ATM Commands on page 188](#)
- [TDM Commands on page 190](#)
- [DS1 Commands on page 190](#)
- [DS3 Commands on page 191](#)
- [E1 Commands on page 193](#)
- [E3 Commands on page 195](#)
- [LAG Commands on page 197](#)
- [Multi-Chassis Redundancy Commands on page 198](#)
- [Show Commands on page 200](#)
- [Clear Commands on page 202](#)
- [Debug Commands on page 202](#)
- [Tools Commands on page 202](#)

Hardware Commands

- ```

config
 — [no] card slot-number
 — card-type card-type
 — no card-type
 — [no] fail-on-error

```

## MCM Commands

- ```

  — [no] mcm mcm-slot
    — mcm-type mcm-type
    — no mcm-type
    — [no] shutdown
  
```

MDA Commands

- ```

 — [no] mda mda-slot
 — access
 — egress
 — [no] pool [name]
 — amber-alarm-threshold percentage
 — no amber-alarm-threshold
 — red-alarm-threshold percentage
 — no red-alarm-threshold
 — resv-cbs percent-or-default amber-alarm-action
 — step percent max [1..100]
 — resv-cbs percent-or-default
 — no resv-cbs
 — slope-policy name
 — no slope-policy
 — ingress
 — [no] pool [name]
 — amber-alarm-threshold percentage
 — no amber-alarm-threshold
 — red-alarm-threshold percentage
 — no red-alarm-threshold
 — resv-cbs percent-or-default amber-alarm-action
 — step percent max [1..100]
 — resv-cbs percent-or-default
 — no resv-cbs
 — slope-policy name
 — no slope-policy
 — clock-mode adaptive
 — clock-mode differential [timestamp-freq { 19440 | 77760 | 103680 }]
 — ingress
 — mcast-path-management
 — ancillary-override
 — path-limit megabits-per-second
 — no path-limit
 — bandwidth-policy policy-name
 — no bandwidth-policy
 — primary-override
 — path-limit megabits-per-second
 — no path-limit
 — secondary-override
 — path-limit megabits-per-second

```

- **no path-limit**
- **[no] shutdown**
- **scheduler-policy** *hsmda-scheduler-policy-name*
- **no scheduler-policy**
- **mda-type** *mda-type*
- **no mda-type**
- **network**
  - **egress**
    - **[no] pool** *[name]*
      - **amber-alarm-threshold** *percentage*
      - **no amber-alarm-threshold**
      - **red-alarm-threshold** *percentage*
      - **no red-alarm-threshold**
      - **resv-cbs** *percent-or-default* **amber-alarm-action**
      - **step** *percent* **max** [1..100]
      - **resv-cbs** *percent-or-default*
      - **no resv-cbs**
      - **slope-policy** *name*
      - **no slope-policy**
  - **ingress**
    - **[no] pool** *[name]*
      - **amber-alarm-threshold** *percentage*
      - **no amber-alarm-threshold**
      - **red-alarm-threshold** *percentage*
      - **no red-alarm-threshold**
      - **resv-cbs** *percent-or-default* **amber-alarm-action**
      - **step** *percent* **max** [1..100]
      - **resv-cbs** *percent-or-default*
      - **no resv-cbs**
      - **slope-policy** *name*
      - **no slope-policy**
    - **queue-policy** *name*
    - **no queue-policy**
- **[no] shutdown**
- **[no] sync-e**
- **[no] shutdown**

## Port Configuration Commands

```

config
 — port {port-id | bundle-id | bpgrp-id | aps-id}
 — no port {bundle-id | bpgrp-id | aps-id}
 — access
 — egress
 — channel
 — [no] pool [name]
 — resv-cbs percent-or-default
 — no resv-cbs
 — slope-policy name
 — no slope-policy
 — [no] pool [name]
 — amber-alarm-threshold percentage
 — no amber-alarm-threshold
 — red-alarm-threshold percentage
 — no red-alarm-threshold
 — resv-cbs percent-or-default amber-alarm-action step percent
 max [1..100]
 — resv-cbs percent-or-default
 — no resv-cbs
 — slope-policy name
 — no slope-policy
 — ingress
 — [no] pool [name]
 — amber-alarm-threshold percentage
 — no amber-alarm-threshold
 — red-alarm-threshold percentage
 — no red-alarm-threshold
 — resv-cbs percent-or-default amber-alarm-action step percent
 max [1..100]
 — resv-cbs percent-or-default
 — no resv-cbs
 — slope-policy name
 — no slope-policy
 — [no] ddm-events
 — description long-description-string
 — no description
 — modify-buffer-allocation-rate
 — ing-percentage-of-rate rate-percentage
 — no ing-percentage-of-rate
 — egr-percentage-of-rate rate-percentage
 — no egr-percentage-of-rate
 — network
 — egress
 — [no] pool [name]
 — amber-alarm-threshold percentage
 — no amber-alarm-threshold
 — red-alarm-threshold percentage
 — no red-alarm-threshold
 — resv-cbs percent-or-default amber-alarm-action step percent
 max [1..100]
 — resv-cbs percent-or-default

```

- **[no] shutdown**
- **no resv-cbs**
- **slope-policy** *name*
- **no slope-policy**

## Port APS Commands

```
config
 — [no] port {aps-id}
 — aps
 — advertise-interval advertise-interval
 — no advertise-interval
 — hold-time hold-time
 — no hold-time
 — hold-time-aps [signal-failure sf-time][signal-degrade sd-time]
 — no hold-time-aps
 — no mode-annexb
 — neighbor ip-address
 — no neighbor
 — protect-circuit port-id
 — no protect-circuit
 — rdi-alarms [suppress | circuit]
 — revert-time minutes
 — no revert-time
 — switching-mode {bi-directional | uni-directional | uni-1plus1}
 — working-circuit port-id [number number]
 — no working-circuit
 — wtr-annexb minute
```

## Ethernet Commands

```

config
 — [no] port {port-id}
 — ethernet
 — access
 — egress
 — queue-group queue-group-name [create]
 — no queue-group queue-group-name
 — accounting-policy acct-policy-id
 — no accounting-policy
 — agg-rate-limit kilobits-per-second [queue-frame-
 based-accounting]
 — no agg-rate-limit
 — [no] collect-stats
 — description description-string
 — no description
 — queue-overrides
 — queue queue-id [create]
 — no queue queue-id
 — adaptation-rule [pir {max | min | closest}]
 [cir {max | min | closest}]
 — no adaptation-rule
 — burst-limit
 — [no] burst-limit
 — cbs size-in-kbytes
 — no cbs
 — high-prio-only percent
 — no high-prio-only
 — mbs size-in-kbytes
 — no mbs
 — rate pir-rate [cir cir-rate]
 — no rate
 — scheduler-policy scheduler-policy-name
 — no scheduler-policy
 — vport name [create]
 — no vport name
 — agg-rate-limit agg-rate
 — description description-string
 — no description
 — host-match dest description-string [create]
 — no host-match destination-string
 — port-scheduler-policy port-scheduler-policy-name
 — no port-scheduler-policy
 — ingress
 — queue-group queue-group-name [create]
 — no queue-group queue-group-name
 — accounting-policy acct-policy-id
 — no accounting-policy
 — [no] collect-stats
 — description description-string
 — no description
 — queue-overrides
 — queue queue-id [create]

```

- **no queue** *queue-id*
- **adaptation-rule** [**pir** {**max** | **min** | **closest**}]  
[**cir** {**max** | **min** | **closest**}]
- **no adaptation-rule**
- **burst-limit**
- [**no**] **burst-limit**
- **cbs** *size-in-kbytes*
- **no cbs**
- **high-prio-only** *percent*
- **no high-prio-only**
- **mbs** *size-in-kbytes*
- **no mbs**
- **rate** *pir-rate* [**cir** *cir-rate*]
- **no rate**
- **scheduler-policy** *scheduler-policy-name*
- **no scheduler-policy**
- **secondary-shaper** *secondary-shaper-name* **rate** {**max** | *rate*}
- **secondary-shaper** *secondary-shaper-name*
- **autonegotiate** [**limited**]
- [**no**] **autonegotiate**
- **crc-monitor**
  - [**no**] **sd-threshold** *<N>* [**multiplier** *<M>*]
  - [**no**] **sf-threshold** *<N>* [**multiplier** *<M>*]
  - [**no**] **window-size** *<W>*
- **dot1q-etype**
- **no dot1q-etype**
- **dot1x**
  - **max-auth-req** *max-auth-request*
  - **port-control** {**auto** | **force-auth** | **force-unauth**}
  - **quiet-period** *seconds*
  - [**no**] **radius-ply** *name*
  - **re-auth-period** *seconds*
  - [**no**] **re-authentication**
  - **server-timeout** *seconds*
  - **no server-timeout**
  - **supplicant-timeout** *seconds*
  - **no supplicant-timeout**
  - **transmit-period** *seconds*
  - **no transmit-period**
- [**no**] **down-on-internal-error**
- **down-when-looped**
  - **keep-alive** *timer*
  - **no keep-alive**
  - **retry-timeout** *timer*
  - **no retry-timeout**
  - [**no**] **shutdown**
  - [**no**] **use-broadcast-address**
- **duplex** {**full** | **half**}
- **efm-oam**
  - [**no**] **accept-remote-loopback**
  - **hold-time** *time-value*
  - **no hold-time**
  - **mode** {**active** | **passive**}
  - [**no**] **shutdown**
  - [**no**] **transmit-interval** *interval* [**multiplier** *multiplier*]

- [no] **tunneling**
- **egress**
  - [no] **exp-secondary-shaper**
    - [no] **rate** {**max** | *kilobits-per-second*}
    - [no] **low-burst-max-class** *class-id*
    - [no] **class** *class-number* **rate** {*kilobits-per-second* | **max**}  
[**monitor-threshold** *size-in-kilobytes*]
- **egress-rate** *<sub-rate>* [
- **no egress-rate**
- [no] **egress-scheduler-override**
  - **level** *priority-level* **rate** *pir-rate* [**cir** *cir-rate*]
  - **no level** *priority-level*
  - **max-rate** *rate*
  - **no max-rate**
- **egress-scheduler-policy** *port-scheduler-policy-name*
- **no egress-scheduler-policy**
- **elmi**
  - **mode** {**none**|**uni-n**}
  - **n393** [2..10]
  - **no n393**
  - **t391** [5..30]
  - **no t391**
  - **t392** [5..30]
  - **no t392**
- **encap-type**
- **encap-type** {**dot1q** | **null** | **qinq**}
- **no encap-type**
- **hold-time** {[**up** *hold-time up*] [**down** *hold-time down*] [**seconds**|**centiseconds**] }
- **no hold-time**
- [no] **hsmda-scheduler-overrides**
  - **group** *group-id* **rate** *rate*
  - **no group** *group-id*
  - **max-rate** *rate*
  - **no max-rate**
  - **scheduling-class** *class* **rate** *rate*
  - **scheduling-class** *class* **weight** *weight-in-group*
  - **no scheduling-class** *class*
- **ingress-rate** *ingress-rate*
- **no ingress-rate**
- [no] **lACP-tunnel**
- **lldp**
  - **dest-mac** {**nearest-bridge** | **nearest-non-tpmr** | **nearest-customer**}
    - **admin-status** {**rx** | **tx** | **tx-rx** | **disabled**}
    - [no] **notification**
    - **tx-mgmt-address** [**system**]
    - **no tx-mgmt-address**
    - **tx-flvs** [**port-desc**] [**sys-name**] [**sys-desc**] [**sys-cap**]
    - **no tx-flvs**
- **load-balancing-algorithm** *option*
- **no load-balancing-algorithm**
- **mac** *ieee-address*
- **no mac**
- **mode** {**access** | **network**}
- **no mode**
- **mtu** *mtu-bytes*

- **no mtu**
- **network**
  - **accounting-policy** *policy-id*
  - **no accounting-policy**
  - **[no] collect-stats**
  - **egress**
    - **queue-group** *queue-group-name* [**create**]
    - **no queue-group** *queue-group-name*
      - **accounting-policy** *acct-policy-id*
      - **no accounting-policy**
      - **agg-rate-limit** *kilobits-per-second* [**queue-frame-based-accounting**]
      - **no agg-rate-limit**
      - **[no] collect-stats**
      - **description** *description-string*
      - **no description**
      - **host-match dest** *destination-string* [**create**]
      - **no host-match dest** *destination-string*
      - **queue-overrides**
        - **queue** *queue-id* [**create**]
        - **no queue** *queue-id*
          - **adaptation-rule** [**pir** {**max** | **min** | **closest**}] [**cir** {**max** | **min** | **closest**}]
          - **no adaptation-rule**
          - **burst-limit**
          - **[no] burst-limit**
          - **cbs** *size-in-kbytes*
          - **no cbs**
          - **high-prio-only** *percent*
          - **no high-prio-only**
          - **mbs** *size-in-kbytes*
          - **no mbs**
          - **rate** *pir-rate* [**cir** *cir-rate*]
          - **no rate**
        - **scheduler-policy** *scheduler-policy-name*
        - **no scheduler-policy**
    - **queue-policy** *name*
    - **no queue-policy**
  - **pbb-etype** [**0x0600..0xffff**]
  - **no pbb-etype**
  - **qinq-etype** *0x0600..0xffff*
  - **no qinq-etype**
  - **[no] report-alarm** [**signal-fail**] [**remote**] [**local**] [**no-frame-lock**]
  - **speed** {**10** | **100** | **1000**}
  - **ssm**
    - **[no] shutdown**
    - **code-typenetwork-type** **sonet** | **sdh**
    - **[no] tx-dus**
  - **xgig** {**lan** | **wan**}

## Interface Group Handler Commands

config

- [no] **interface-group-handler** *group-id*
  - [no] **member** *portid*
  - **threshold** *min*
  - **no threshold**

## Multilink Bundle Commands

```

config
 — [no] port {bundle-id}
 — multilink-bundle
 — fragment-threshold fragment-threshold
 — fragment-threshold unlimited
 — no fragment-threshold
 — ima
 — atm
 — cell-format cell-format
 — min-vp-vpi value
 — link-delay {activate | deactivate} milli-seconds
 — no link-delay {activate | deactivate}
 — max-bandwidth number-links
 — no max-bandwidth
 — test-pattern-procedure
 — [no] shutdown
 — test-link port-id
 — no test-link
 — test-pattern pattern
 — no test-pattern
 — version IMA-version
 — no version
 — [no] interleave-fragments
 — [no] member port-id
 — minimum-links minimum-links
 — no minimum-links
 — mlfr
 — ack-timeout seconds
 — no ack-timeout
 — egress
 — qos-profile profile-id
 — no qos-profile
 — frame-relay
 — lmi-type {ansi | itu | none | rev1}
 — mode {dce | dte | bidir}
 — n391dte intervals
 — n392dce threshold
 — n392dte threshold
 — n393dce count
 — n393dte count
 — t391dte keepalive
 — t392dce keepalive
 — hello-timeout seconds
 — no hello-timeout
 — [no] identifier bundle-id-string
 — ingress
 — qos-profile profile-id
 — no qos-profile
 — retry-limit integer
 — no retry-limit
 — mlppp
 — egress
 — qos-profile profile-id

```

- **no qos-profile**
- **endpoint-discriminator** class {ip-address | global-mac-address} [discriminator-id *discriminator-id*]
- **no endpoint-discriminator**
- **ingress**
  - **qos-profile** *profile-id*
  - **no qos-profile**
- [no] **magic-number**
- **multiclass** *count*
- **no multiclass**
- [no] **stateless-aps-switchover**
- **mrru** *mrru*
- **no mrru**
- [no] **protect-bundle**
- **red-differential-delay** *red-diff-delay* [down]
- **no red-differential-delay**
- [no] **short-sequence**
- [no] **working-bundle**
- **yellow-differential-delay** *yellow-diff-delay*
- **no yellow-differential-delay**

## SONET-SDH Commands

```

config
 — [no] port {port-id}
 — sonet-sdh
 — clock-source {loop-timed | node-timed}
 — framing {sonet | sdh}
 — group sonet-sdh-index payload {tu3 | vt2 | vt15}
 — hold-time hold-time {[up hold-time up] [down hold-time down]}
 — no hold-time
 — loopback {line | internal}
 — no loopback
 — [no] path [sonet-sdh-index]
 — atm
 — cell-format cell-format
 — ilmi [vpi/vci]
 — no ilmi
 — egress
 — traffic-desc traffic-desc-profile-id
 — no traffic-desc
 — ingress
 — traffic-desc traffic-desc-profile-id
 — no traffic-desc
 — keep-alive [poll-frequency seconds] [poll-count
 value] [test-frequency seconds]
 — no keep-alive
 — protocol protocol-type
 — no protocol
 — [no] shutdown
 — min-vp-vpi value
 — cisco-hdlc
 — down-count down-count
 — no down-count
 — keepalive time-interval
 — no keepalive
 — up-count up-count
 — no up-count
 — crc {16 | 32}
 — description description
 — no description
 — [no] egress-scheduler-override
 — level priority-level rate pir-rate [cir cir-rate]
 — no level priority-level
 — max-rate rate
 — no max-rate
 — egress-scheduler-policy port-scheduler-policy-name
 — no egress-scheduler-policy
 — encap-type {atm | bcp-null | bcp-dot1q | ipcp | ppp-auto | frame-relay
 | wan-mirror | cisco-hdlc}
 — frame-relay
 — [no] frf-12
 — egress
 — qos-profile profile-id
 — no qos-profile

```

- **fragment-threshold** *threshold*
- **no fragment-threshold**
- **lmi-type** {ansi | itu | none | rev1}
- **mode** {dce | dte | bidir}
- **n391dte** *intervals*
- **no n391dte**
- **n392dce** *threshold*
- **no n392dce**
- **n392dte** *threshold*
- **no n392dte**
- **n393dce** *count*
- **no n393dce**
- **n393dte** *count*
- **no n393dte**
- **t391dte** *keepalive*
- **no t391dte**
- **t392dce** *keepalive*
- **no t392dce**
- **mac** *ieee-address*
- **no mac**
- **mode** {access | network}
- **mtu** *mtu*
- **no mtu**
- **network**
  - **accounting-policy** *policy-id*
  - **no accounting-policy**
  - [no] **collect-stats**
  - **queue-policy** *name*
  - **no queue-policy**
- **payload** {sts3 | tug3 | ds3 | e3 | vt2 | vt15 | ds1 | e1}
- **ppp**
  - **keepalive** *time-interval* [**dropcount** *drop-count*]
  - **no keepalive**
- [no] **report-alarm** [pais] [plop] [prdi] [pplm] [prei] [puneq] [plcd]
- [no] **scramble**
- [no] **shutdown**
- **signal-label** *value*
- **no signal-label**
- **trace-string** [*trace-string*]
- **no trace-string**
- [no] **report-alarm** [loc] [lais] [lrldi] [ss1f] [lb2er-sd] [lb2er-sf] [slof][slos] [lrei]
- **section-trace** {increment-z0 | byte *value* | string *string*}
- **speed** {oc3 | oc12}
- **no speed**
- [no] **suppress-lo-alarm**
- **threshold** {ber-sd | ber-sf} **rate** *threshold-rate*
- **no threshold** {ber-sd | ber-sf}
- [no] **tx-dus**

## TDM Commands

```

config
 — [no] port {port-id}
 — tdm
 — buildout {long | short}
 — [no] ds1 ds1-id
 — bert {2e3 | 2e9 | 2e11 | 2e15 | 2e20 | 2e20q | 2e23 | ones | zeros | alternating} duration duration
 — no bert
 — bit-error-insertion rate
 — no bit-error-insertion
 — [no] channel-group channel-group
 — atm
 — cell-format cell-format
 — min-vp-vpi value
 — cisco-hdlc
 — down-count down-count
 — no down-count
 — keepalive time-interval
 — no keepalive
 — up-count up-count
 — no up-count
 — crc {16 | 32}
 — [no] description description-string
 — [no] egress-scheduler-override
 — level priority-level rate pir-rate [cir cir-rate]
 — no level priority-level
 — max-rate rate
 — no max-rate
 — egress-scheduler-policy port-scheduler-policy-name
 — [no] encap-type {atm | bcp-null | bcp-dot1q | ipcp | ppp-auto | frame-relay | wan-mirror | cisco-hdlc | cem}
 — frame-relay
 — [no] frf-12
 — egress
 — qos-profile profile-id
 — no qos-profile
 — fragment-threshold threshold
 — no fragment-threshold
 — [no] identifier frf16-link-id-string
 — lmi-type {ansi | itu | none | rev1}
 — mode {dce | dte | bidir}
 — n391dte intervals
 — no n391dte
 — n392dce threshold
 — no n392dce
 — n392dte threshold
 — no n392dte
 — n393dce count
 — no n393dce
 — n393dte count
 — no n393dte
 — t391dte keepalive

```

- **no t391dte**
- **t392dce** *keepalive*
- **no t392dce**
- **idle-cycle-flag** {*flags* | *ones*}
- **no idle-cycle-flag**
- **idle-payload-fill** {*all-ones*}
- **idle-payload-fill** *pattern* *pattern*
- **no idle-payload-fill**
- **idle-signal-fill** {*all-ones*}
- **idle-signal-fill** *pattern* *pattern*
- **no idle-signal-fill**
- **load-balancing-algorithm** *option*
- **no load-balancing-algorithm**
- **mac** *ieee-address*
- **no mac**
- **[no] mode** {*access* | *network*}
- **mtu** *mtu-bytes*
- **no mtu**
- **network**
  - **accounting-policy** *policy-id*
  - **no accounting-policy**
  - **[no] collect-stats**
  - **queue-policy** *name*
  - **no queue-policy**
- **ppp**
  - **[no] ber-sf-link-down**
  - **compress** {*acfc* [*pfc*] | *pfc* [*acfc*]}
  - **no compress**
  - **keepalive** *time-period* [*dropcount* *drop count*]
  - **no keepalive**
  - **[no] scramble**
  - **[no] shutdown**
  - **speed** {*56* | *64*}
  - **timeslots** *timeslots*
  - **no timeslots**
- **clock-source** {*loop-timed* | *node-timed* | *adaptive* | *differential*}
- **framing (DS-1)** {*esf* | *sf* | *ds1-unframed*}
- **insert-single-bit-error**
- **[no] invert-data**
- **loopback** {*line* | *internal* | *fdl-ansi* | *fdl-bellcore* | *payload-ansi* | *inband-ansi* | *inband-bellcore*}
- **no loopback**
- **[no] remote-loop-respond**
- **[no] report-alarm** [*ais*] [*los*] [*oof*] [*rai*] [*looped*]
- **[no] shutdown**
- **signal-mode** {*cas*}
- **no signal-mode**
- **threshold** {*ber-sd* | *ber-sf*} *rate* {*1* | *5* | *10* | *50* | *100*}
- **no threshold** {*ber-sd* | *ber-sf*}

## DS3 Commands

- **[no] ds3** [*sonet-sdh-index*]
  - **atm**
    - **cell-format** *cell-format*
    - **mapping** *mapping*

- **min-vp-vpi** *value*
- **bert** {2e3 | 2e9 | 2e11 | 2e15 | 2e20 | 2e20q | 2e23 | ones | zeros | alternating} *duration* *duration*
- **no bert**
- **bit-error-insertion** *rate*
- **no bit-error-insertion**
- **channelized** {ds1 | e1}
- **no channelized**
- **cisco-hdlc**
  - **down-count** *down-count*
  - **no down-count**
  - **keepalive** *time-interval*
  - **no keepalive**
  - **up-count** *up-count*
  - **no up-count**
- **clock-source** {loop-timed | node-timed}
- **crc** {16 | 32}
- **description** *description-string*
- **no description**
- [no] **egress-scheduler-override**
  - **level** *priority-level* **rate** *pir-rate* [**cir** *cir-rate*]
  - **no level** *priority-level*
  - **max-rate** *rate*
  - **no max-rate**
- **egress-scheduler-policy** *port-scheduler-policy-name*
- **no egress-scheduler-policy**
- **encap-type** {atm | bcp-null | bcp-dot1q | ipcp | ppp-auto | frame-relay | wan-mirror | cisco-hdlc | cem}
- [no] **feac-loop-respond**
- **frame-relay**
  - [no] **frf-12**
    - **egress**
      - **qos-profile** *profile-id*
      - **no qos-profile**
    - **fragment-threshold** *threshold*
    - **no fragment-threshold**
  - **lmi-type** {ansi | itu | none | rev1}
  - **mode** {dce | dte | bidir}
  - **n391dte** *intervals*
  - **no n391dte**
  - **n392dce** *threshold*
  - **no n392dce**
  - **n392dte** *threshold*
  - **no n392dte**
  - **n393dce** *count*
  - **no n393dce**
  - **n393dte** *count*
  - **no n393dte**
  - **t391dte** *keepalive*
  - **no t391dte**
  - **t392dce** *keepalive*
  - **no t392dce**
- **framing (DS3)** {c-bit | m23}
- **idle-cycle-flag** {flags | ones}
- **load-balancing-algorithm** *option*

- **no load-balancing-algorithm**
- **loopback** {line | internal | remote}
- **no loopback**
- **mac** *ieee-address*
- **no mac**
- **mdl** {eic | lic | fic | unit | pfi | port | gen} *mdl-string*
- **no mdl** [eic | lic | fic | unit | pfi | port | gen]
- **mdl-transmit** {path | idle-signal | test-signal}
- **no mdl-transmit** [path | idle-signal | test-signal]
- **mode** {access | network}
- **mtu** *mtu-bytes*
- **no mtu**
- **network**
  - **accounting-policy** *policy-id*
  - **no accounting-policy**
  - [no] **collect-stats**
  - **queue-policy** *name*
  - **no queue-policy**
- **ppp**
  - **keepalive** *time-period* [**dropcount** *drop-count*]
  - **no keepalive**
- [no] **report-alarm** [ais] [los] [oof] [rai] [looped]
- [no] **scramble**
- [no] **shutdown**
- **subrate** {digital-link} *rate-step*
- **no subrate**

## E1 Commands

- [no] **e1** [*e1-id*]
  - **bert** {2e3 | 2e9 | 2e11 | 2e15 | 2e20 | 2e20q | 2e23 | ones | zeros | alternating} *duration* *duration*
  - **no bert**
  - **bit-error-insertion** *rate*
  - **no bit-error-insertion**
  - [no] **channel-group** *channel-group-id*
    - **atm**
      - **cell-format** *cell-format*
      - **min-vp-vpi** *value*
    - **cisco-hdlc**
      - **down-count** *down-count*
      - **no down-count**
      - **keepalive** *time-interval*
      - **no keepalive**
      - **up-count** *up-count*
      - **no up-count**
    - **crc** {16 | 32}
    - **description** *description-string*
    - **no description**
    - [no] **egress-scheduler-override**
      - **level** *priority-level* **rate** *pir-rate* [**cir** *cir-rate*]
      - **no level** *priority-level*
      - **max-rate** *rate*
      - **no max-rate**
    - **egress-scheduler-policy** *port-scheduler-policy-name*

- [no] **encap-type** { atm | bcp-null | bcp-dot1q | ipcp | ppp-auto | frame-relay | wan-mirror | cisco-hdlc | cem }
- **frame-relay**
  - [no] **frf-12**
  - **egress**
    - **qos-profile** *profile-id*
    - **no qos-profile**
  - **fragment-threshold** *threshold*
  - **no fragment-threshold**
  - [no] **identifier** *frf16-link-id-string*
  - **lmi-type** { ansi | itu | none | rev1 }
  - **mode** { dce | dte | bidir }
  - **n391dte** *intervals*
  - **no n391dte**
  - **n392dce** *threshold*
  - **no n392dce**
  - **n392dte** *threshold*
  - **no n392dte**
  - **n393dce** *count*
  - **no n393dce**
  - **n393dte** *count*
  - **no n393dte**
  - **t391dte** *keepalive*
  - **no t391dte**
  - **t392dce** *keepalive*
  - **no t392dce**
- **idle-cycle-flag** { flags | ones }
- **idle-payload-fill** { all-ones }
- **idle-payload-fill** *pattern* *pattern*
- **no idle-payload-fill**
- **idle-signal-fill** { all-ones }
- **idle-signal-fill** *pattern* *pattern*
- **no idle-signal-fill**
- **load-balancing-algorithm** *option*
- **no load-balancing-algorithm**
- **mac** *ieee-address*
- **no mac**
- [no] **mode** { access | network }
- **mtu** *mtu-bytes*
- **no mtu**
- **network**
  - **accounting-policy** *policy-id*
  - **no accounting-policy**
  - [no] **collect-stats**
  - **queue-policy** *name*
  - **no queue-policy**
- **ppp**
  - [no] **ber-sf-link-down**
  - **keepalive** *time-period* [**dropcount** *drop count*]
  - **no keepalive**
- [no] **scramble**
- [no] **shutdown**
- **speed** { 56 | 64 }
- **timeslots** *timeslots*
- **no timeslots**

- **clock-source** {loop-timed | node-timed | adaptive | differential}
- **framing (E-1)** {no-crc-g704 | g704 | e1-unframed}
- **insert-single-bit-error**
- [no] **invert-data**
- **loopback** {line | internal}
- **no loopback**
- [no] **report-alarm** [ais] [los] [oof] [rai] [looped]
- [no] **shutdown**
- **signal-mode** {cas}
- **no signal-mode** {cas}
- **threshold** {ber-sd | ber-sf} rate {1 | 5 | 10 | 50 | 100}
- **no threshold** {ber-sd | ber-sf}

## E3 Commands

- [no] **e3** [*sonet-sdh-index*]
  - **atm**
    - **cell-format** *cell-format*
    - **min-vp-vpi** *value*
  - **bert** {2e3 | 2e9 | 2e11 | 2e15 | 2e20 | 2e20q | 2e23 | ones | zeros | alternating} *duration duration*
  - **no bert**
  - **bit-error-insertion** *rate*
  - **no bit-error-insertion**
  - **cisco-hdlc**
    - **down-count** *down-count*
    - **no down-count**
    - **keepalive** *time-interval*
    - **no keepalive**
    - **up-count** *up-count*
    - **no up-count**
  - **clock-source** {loop-timed | node-timed}
  - **crc** {16 | 32}
  - **description** *description-string*
  - **no description**
  - [no] **egress-scheduler-override**
    - **level** *priority-level* **rate** *pir-rate* [**cir** *cir-rate*]
    - **no level** *priority-level*
    - **max-rate** *rate*
    - **no max-rate**
  - **egress-scheduler-policy** *port-scheduler-policy-name*
  - **encap-type** {atm | bcp-null | bcp-dot1q | ipcp | ppp-auto | frame-relay | wan-mirror | cisco-hdlc | cem}
  - [no] **fec-loop-respond**
  - **frame-relay**
    - [no] **frf-12**
      - **egress**
        - **qos-profile** *profile-id*
        - **no qos-profile**
      - **fragment-threshold** *threshold*
      - **no fragment-threshold**
    - **lmi-type** {ansi | itu | none | rev1}
    - **mode** {dce | dte | bidir}
    - **n391dte** *intervals*
    - **no n391dte**
    - **n392dce** *threshold*

- **no n392dce**
- **n392dte** *threshold*
- **no n392dte**
- **n393dce** *count*
- **no n393dce**
- **n393dte** *count*
- **no n393dte**
- **t391dte** *keepalive*
- **no t391dte**
- **t392dce** *keepalive*
- **no t392dce**
- **framing (E-3)** {g751 | g832}
- **idle-cycle-flag** {flags | ones}
- **no idle-cycle-flag**
- **load-balancing-algorithm** *option*
- **no load-balancing-algorithm**
- **loopback** {line | internal | remote}
- **no loopback**
- **mac** *ieee-address*
- **no mac**
- **mdl** {eic | lic | fic | unit | pfi | port | gen} *mdl-string*
- **no mdl** [eic | lic | fic | unit | pfi | port | gen]
- **mdl-transmit** {path | idle-signal | test-signal}
- **no mdl-transmit** [path | idle-signal | test-signal]
- **mode** {access | network}
- **mtu** *mtu-bytes*
- **no mtu**
- **network**
  - **accounting-policy** *policy-id*
  - **no accounting-policy**
  - [no] **collect-stats**
  - **queue-policy** *name*
  - **no queue-policy**
- **ppp**
  - **keepalive** *time-period* [**dropcount** *drop-count*]
  - **no keepalive**
- [no] **report-alarm** [ais] [los] [oof] [rai] [looped]
- [no] **scramble**
- [no] **shutdown**
- **lbo** [0dB | -7.5dB | -15.0dB | -22.5dB]
- **length** {133 | 266 | 399 | 533 | 655}
- **line-impedance** {75 | 100 | 120}

## LAG Commands

```

config
 — [no] lag [lag-id]
 — access
 — adapt-qos type
 — description long-description-string
 — no description
 — [no] dynamic-cost
 — encap-type {dot1q | null | qinq}
 — no encap-type
 — hold-time down hold-down-time
 — no hold-time
 — lacp [mode] [administrative-key admin-key] [system-id system-id][system-priority
 priority]
 — lacp-xmit-interval {slow | fast}
 — no lacp-xmit-interval
 — [no] lacp-xmit-stdby
 — mac ieee-address
 — no mac
 — mode {access | network}
 — no mode
 — port port-id [port-id ... up to 16 total] [priority priority] [sub-group sub-group-id]
 — no port port-id [port-id ... up to 16 total]
 — port-threshold value [action {dynamic-cost | down}]
 — no port-threshold
 — port-type {standard | hsmda}
 — no port-type
 — selection-criteria [highest-count | highest-weight] [slave-to-partner]
 — no selection-criteria
 — [no] shutdown
 — standby-signalling {lacp | power-off}
 — no standby-signalling

```

## Multi-Chassis Redundancy Commands

```

config
 — redundancy
 — bgp-multi-homing
 — boot-timer seconds
 — no boot-timer
 — site-activation-timer seconds
 — no site-activation-timer
 — multi-chassis
 — [no] peer ip-address
 — authentication-key [authentication-key | hash-key] [hash | hash2]
 — no authentication-key
 — description description-string
 — no description
 — [no] mc-endpoint
 — [no] bfd-enable
 — boot-timer interval
 — no boot-timer
 — hold-on-neighbor-failure multiplier
 — no hold-on-neighbor-failure
 — keep-alive-interval interval
 — no keep-alive-interval
 — [no] passive-mode
 — [no] shutdown
 — system-priority value
 — no system-priority
 — [no] mc-lag
 — hold-on-neighbor-failure multiplier
 — no hold-on-neighbor-failure
 — keep-alive-interval interval
 — no keep-alive-interval
 — lag lag-id lACP-key admin-key system-id system-id [remote-lag remote-lag-id] system-priority system-priority source-bmac-lsb use-lACP-key
 — lag lag-id lACP-key admin-key system-id system-id [remote-lag remote-lag-id] system-priority system-priority source-bmac-lsb MAC-Lsb
 — lag lag-id lACP-key admin-key system-id system-id [remote-lag remote-lag-id] system-priority system-priority
 — lag lag-id [remote-lag remote-lag-id]
 — no lag lag-id
 — [no] shutdown
 — mc-ring
 — ring sync-tag [create]
 — no ring sync-tag
 — in-band-control-path
 — dst-ip ip-address
 — no dst-ip
 — interface ip-int-name
 — no interface
 — service-id service-id
 — no service-id
 — [no] path-b
 — [no] range vlan-range

```

- [no] **path-excl**
  - [no] **range** *vlan-range*
- **ring-node** *ring-node-name* [**create**]
- **no ring-node** *ring-node-name*
  - **connectivity-verify**
    - **dst-ip** *ip-address*
    - **no dst-ip**
    - **interval** *interval*
    - **no interval**
    - **service-id** *service-id*
    - **no service-id**
    - [no] **shutdown**
    - **src-ip** *ip-address*
    - **no src-ip**
    - **src-mac** *ieee-address*
    - **no src-mac**
    - **vlan** [*vlan-encap*]
    - **no vlan**
  - [no] **shutdown**
- [no] **shutdown**
- **source-address** *ip-address*
- **no source-address**
- [no] **sync**
  - [no] **igmp**
  - [no] **igmp-snooping**
  - [no] **mc-ring**
  - [no] **mld-snooping**
  - **port** [*port-id* | *lag-id*] [**sync-tag** *sync-tag*]
  - **no port** [*port-id* | *lag-id*]
    - **range** *encap-range* [**sync-tag** *sync-tag*]
    - **no range** *encap-range*
  - [no] **shutdown**
  - [no] **srrp**
  - [no] **sub-mgmt**

## Show Commands

```

show
— aps [port port-id] [group group-name] [detail]
— chassis [environment] [power-supply]
— card state
— card [slot-number]
— card [slot-number] detail
— card slot-number fp [1..2] ingress queue-group mode {access|network}
— card slot-number [detail] fp [1..2] ingress queue-group queue-group-name instance [1..65535]
mode {access|network} [statistics]
— elmi
 — evc [port-id] [vlan vlan-id]
 — uni [port-id]
— interface-group-handler [igh-id]
— mcm slot [mcm] [detail]
— mda slot [mda] [detail]
— pools mda-id[/port] [access-app [pool-name | service service-id | queue-group queue-group-name]]
— pools mda-id[/port] [network-app [pool-name | queue-group queue-group-name]]
— pools mda-id[/port] [direction [pool-name|service service-id | queue-group queue-group-name]]
— lag [lag-id] [detail] [statistics]
— lag lag-id associations
— megapools slot-number
— megapools slot-number fp forwarding-plane [service-id service-id] [queue-group queue-group-name] [ingress | egress]
— multilink-bundle [bundle-id | bpgrp-id | slot/mda | type {mlppp}] [detail]
— multilink-bundle [bundle-id | bpgrp-id | slot/mda | ppp]
— multilink-bundle [bundle-id | bpgrp-id] relations
 — ima
 — atm [detail]
 — connections
 — port-connection [detail]
 — pvc [detail]
 — pvp [vpi] [detail]
 — pvt [vpi.vci] [detail]
 — ppp [multiclass]
 — relations
— port port-id [count] [detail]
— port port-id description
— port port-id associations
— port port-id atm
— port port-id atm connections
— port port-id atm cp
— port port-id atm ilmi
— port port-id atm interface-connections
— port port-id atm pvc [vpi[/vci]] [detail]
— port port-id atm pvp [vpi] [detail]
— port port-id atm pvt [vpi-range] [detail]
— port port-id cisco-hdlc [detail]
— port port-id mlfr-link[detail]
— port port port-id otu [detail]
— port port-id ppp [detail]
— port port-id frame-relay [detail]
— port port-id queue-group [ingress|egress] [queue-group-name] [access|network] [{statistic|associations}]

```

- **port** *port-id* **dot1x** [**detail**]
- **port** *port-id* **ethernet** [**efm-oam** | **detail**]
  - **lldp** [**nearest-bridge** | **nearest-non-tpmr** | **nearest-customer**] [**remote-info**] [**detail**]
- **port aps** [**detail**]
- **port cem**
- **port** *port-id* **ima-link**
- **port** *port-id* **ima-link**
- **port-tree** *port-id*
- **redundancy**
  - **multi-chassis** **all**
  - **multi-chassis** **mc-lag**
  - **multi-chassis** **sync**
    - **mc-ring** **peer** *ip-address* **statistics**
    - **mc-ring** **peer** *ip-address* [**ring** *sync-tag* [**detail** | **statistics**] ]
    - **mc-ring** **peer** *ip-address* **ring** *sync-tag* **ring-node** [*ring-node-name* [**detail** | **statistics**] ]
    - **mc-ring** **global-statistics**

## Monitor Commands

### Monitor

- **card** *slot-number* **fp** *fp-number* **ingress** {**access**|**network**} **queue-group** *queue-group-name* **instance** *instance-id* [**absolute**] [**interval** *seconds*] [**repeat** *repeat*] **policer** *policer-id*
- **port** *port-id* [*port-id...*(up to 5 max)] [**interval** *seconds*] [**repeat** *repeat*] [**absolute** | **rate**] [**multiclass**]
- **port (ATM)** **atm** [**interval** *seconds*] [**repeat** *repeat*] [**absolute** | **rate**]

## Clear Commands

### clear

- **card** *slot-number* **soft** [**hard-reset-unsupported-mdas**]
- **card** *slot-number* **fp** [1..2] **ingress mode** {**access**|**network**} **queue-group** *group-name* **instance** *instance* **statistics**
- **card** *slot-number* [**soft**]
- **lag** *lag-id* **statistics**
- **mda** *mda-id* [**statistics**]
- **port** *port-id* **statistics**
- **port** *port-id* **statistics**
- **port** *port-id* **atm** **pvc** [*vpi*/*vci*] **statistics**
- **port** *port-id* **atm** **pvp** [*vpi*] **statistics**
- **port** *port-id* **atm** **pvt** [*vpi1.vpi2*] **statistics**
- **port** *port-id* **atm** **ilmi** **statistics**
- **port** *port-id* **atm** **interface-connection** **statistics**
- **port** *port-id* **queue-group** *queue-group-name* [**access** | **network**] {**ingress** | **egress**} [**access**|**network**] [{**statistics**|**associations**}]

## Debug Commands

### debug

- **atm**
  - **ilmi** [*port-id*]
  - **no ilmi** *port-id*
- **cisco-hdlc** *port-id*
- **lag** [**lag-id** *lag-id* **port** *port-id*] [**all**]
- **lag** [**lag-id** *lag-id* **port** *port-id*] [**sm**] [**pkt**] [**cfg**] [**red**] [**iom-upd**] [**port-state**] [**timers**] [**sel-logic**] [**mc**] [**mc-pkt**]
- **no lag** [**lag-id** *lag-id*]
- [**no**] **ppp** *port-id*

## Tools Commands

### tools

- **dump**
  - **aps** *aps-id* [**clear**]
  - **aps mc-aps-signaling** [**clear**]
  - **aps mc-aps-ppp** [**clear**]
  - **frame-relay** *port-id*
  - **lag** *port-id*

- **redundancy**
  - **multi-chassis**
    - **mc-ring**
    - **srrp-sync-data** [**instance** *instance-id*] [**peer** *ip-address*]
    - **sync-database** [**peer** *ip-address*] [**port** *port-id* | *lag-id*] [**sync-tag** *sync-tag*] [**application** { **dhcps** | **igmp** | **igmp-snooping** | **mc-ring** | **srrp** | **sub-mgmt** | **mld-snooping**}] [**detail**] [**type** { **alarm-deleted** | **local-deleted**}]
- tools**
  - **perform**
    - **aps**
      - **clear** *aps-id* { **protect** | **working** }
      - **exercise** *aps-id* { **protect** | **working** }
      - **force** *aps-id* { **protect** | **working** }
      - **lockout** *aps-id*
      - **request** *aps-id* { **protect** | **working** }
    - **eth-ring**
      - **clear** *ring-id*
      - **force** *ring-id* **path** { **a** | **b** }
      - **manual** *ring-id* **path** { **a** | **b** }
    - **ima**
      - **reset** *bundle-id*



---

## Configuration Commands

- [Generic Commands on page 205](#)
- [Card Commands on page 208](#)
- [MDA Commands on page 211](#)
- [Interface QoS Commands on page 216](#)
- [General Port Commands on page 221](#)
- [APS Commands on page 236](#)
- [Ethernet Port Commands on page 244](#)
- [802.1x Port Commands on page 271](#)
- [LLDP Port Commands on page 276](#)
- [Network Port Commands on page 278](#)
- [Interface Group Handler Commands on page 280](#)
- [Multilink-Bundle Port Commands on page 282](#)
- [SONET/SDH Port Commands on page 299](#)
- [SONET/SDH Path Commands on page 305](#)
- [ATM Interface Commands on page 312](#)
- [Frame Relay Commands on page 316](#)
- [TDM Commands on page 323](#)
- [LAG Commands on page 342](#)
- [Multi-Chassis Redundancy Commands on page 351](#)

---

## Generic Commands

### description

**Syntax**    **description** *description-string*  
**no description**

**Context**    config>port  
              config>port>ethernet>access>egr>vport  
              config>port>ethernet>access>egr>qgrp  
              config>port>ethernet>access>ing>qgrp  
              config>port>ethernet>network>egr>qgrp  
              config>port>sonet-sdh>path  
              config>port>tdm>ds1>channel-group

## Generic Commands

```
config>port>tdm>ds3
config>port>tdm>e1>channel-group
config>port>tdm>e3
config>lag
```

**Description** This command creates a text description for a configuration context to help identify the content in the configuration file.

The **no** form of this command removes any description string from the context.

**Default** No description is associated with the configuration context.

**Parameters** *long-description-string* — The description character string. Strings can be up to 160 characters long composed of printable, 7-bit ASCII characters. If the string contains special characters (#, \$, spaces, etc.), the entire string must be enclosed within double quotes.

## shutdown

**Syntax** **[no] shutdown**

**Context**

```
config>card
config>card>mda
config>interface-group-handler
config>port
config>port>ethernet
config>port>sonet-sdh>path
config>port>tdm>ds1
config>port>tdm>ds1>channel-group
config>port>tdm>ds3
config>port>tdm>e1
config>port>tdm>e1>channel-group
config>port>tdm>e3
config>port>multilink-bundle>ima>test-pattern-procedure
config>port>sonet-sdh>path>atm>ilmi
config>lag
config>port>ethernet>efm-oam
config>redundancy>multi-chassis>peer
config>redundancy>mc>peer>mcr
config>redundancy>mc>peer>mc-lag
config>redundancy>mc>peer>mcr>ring
config>redundancy>mc>peer>mcr>node>cv
config>redundancy>multi-chassis>peer>sync
```

**Description** This command administratively disables an entity. When disabled, an entity does not change, reset, or remove any configuration settings or statistics.

The operational state of the entity is disabled as well as the operational state of any entities contained within.

The **no** form of this command administratively enables an entity.

**Special Cases** **card** — The default state for a card is **no shutdown**.

**interface group handler (IGH)** — The default state for an IGH is **shutdown**.

**mda** — The default state for a mda is **no shutdown**.

**lag** — The default state for a Link Aggregation Group (LAG) is **shutdown**.

**port** — The default state for a port is **shutdown**.

**path** — The default state for a SONET/SDH path is **shutdown**.

---

## Card Commands

### card

|                    |                                                                                                                                                                                                                                                                                                 |
|--------------------|-------------------------------------------------------------------------------------------------------------------------------------------------------------------------------------------------------------------------------------------------------------------------------------------------|
| <b>Syntax</b>      | <b>card</b> <i>slot-number</i><br><b>no card</b> <i>slot-number</i>                                                                                                                                                                                                                             |
| <b>Context</b>     | config                                                                                                                                                                                                                                                                                          |
| <b>Description</b> | <p>This mandatory command enables access to the chassis card Input/Output Control Forwarding Module (IOM/CFM), slot, MCM and MDA CLI context.</p> <p>The <b>no</b> form of this command removes the card from the configuration. All associated ports, services, and MDAs must be shutdown.</p> |
| <b>Default</b>     | No cards are configured.                                                                                                                                                                                                                                                                        |
| <b>Parameters</b>  | <i>slot-number</i> — The slot number of the card in the chassis.<br><b>Values</b> 1 — 10 depending on chassis model.                                                                                                                                                                            |

### card-type

|                    |                                                                                                                                                                                                                                                                                                                                                                                                                                                                                                                                                                                                                                                                                                                                                                                                                                                                                                                                                                                                                                                                                                                                                                                                                                                                                                                                                                                                                                                                                                                                                                                                                             |
|--------------------|-----------------------------------------------------------------------------------------------------------------------------------------------------------------------------------------------------------------------------------------------------------------------------------------------------------------------------------------------------------------------------------------------------------------------------------------------------------------------------------------------------------------------------------------------------------------------------------------------------------------------------------------------------------------------------------------------------------------------------------------------------------------------------------------------------------------------------------------------------------------------------------------------------------------------------------------------------------------------------------------------------------------------------------------------------------------------------------------------------------------------------------------------------------------------------------------------------------------------------------------------------------------------------------------------------------------------------------------------------------------------------------------------------------------------------------------------------------------------------------------------------------------------------------------------------------------------------------------------------------------------------|
| <b>Syntax</b>      | <b>card-type</b> <i>card-type</i><br><b>no card-type</b>                                                                                                                                                                                                                                                                                                                                                                                                                                                                                                                                                                                                                                                                                                                                                                                                                                                                                                                                                                                                                                                                                                                                                                                                                                                                                                                                                                                                                                                                                                                                                                    |
| <b>Context</b>     | config>card                                                                                                                                                                                                                                                                                                                                                                                                                                                                                                                                                                                                                                                                                                                                                                                                                                                                                                                                                                                                                                                                                                                                                                                                                                                                                                                                                                                                                                                                                                                                                                                                                 |
| <b>Description</b> | <p>This mandatory command adds an CFM to the device configuration for the slot. The card type can be preprovisioned, meaning that the card does not need to be installed in the chassis.</p> <p>A card must be provisioned before an MDA, MCM or port can be configured.</p> <p>A card can only be provisioned in a slot that is vacant, meaning no other card can be provisioned (configured) for that particular slot. To reconfigure a slot position, use the <b>no</b> form of this command to remove the current information.</p> <p>A card can only be provisioned in a slot if the card type is allowed in the slot. An error message is generated if an attempt is made to provision a card type that is not allowed.</p> <p>If a card is inserted that does not match the configured card type for the slot, then a medium severity alarm is raised. The alarm is cleared when the correct card type is installed or the configuration is modified.</p> <p>A high severity alarm is raised if an administratively enabled card is removed from the chassis. The alarm is cleared when the correct card type is installed or the configuration is modified. A low severity trap is issued when a card is removed that is administratively disabled.</p> <p>Because the IOM-3 integrated card does not have the capability in install separate MDAs, the configuration of the MDA is automatic. This configuration only includes the default parameters such as default buffer policies. Commands to manage the MDA such as <b>shutdown</b>, named buffer pool etc will remain in the MDA configuration context.</p> |

An appropriate alarm is raised if a partial or complete card failure is detected. The alarm is cleared when the error condition ceases.

The **no** form of this command removes the card from the configuration.

**Default** No cards are preconfigured for any slots.

**Parameters** *card-type* — The type of card to be configured and installed in that slot.

**Values** iom-12g, iom-40g

## fail-on-error

**Syntax** [no] fail-on-error

**Context** config>card

**Description** This command controls the behavior of the card when any one of a specific set of card level errors is encountered in the system. When the **fail-on-error** command is enabled, and any one (or more) of the specific errors is detected, then the Operational State of the card is set to Failed. This Failed state will persist until the clear card command is issued (reset) or the card is removed and re-insterted (re-seat). If the condition persists after re-seating the card, then Alcatel-Lucent support should be contacted for further investigation.

Enabling **fail-on-error** is only recommended when the network is designed to be able to route traffic around a failed card (redundant cards, nodes or other paths exist).

The list of specific errors includes:

- CHASSIS event ID# 2063 – tmnxEqCardPChipMemoryEvent
- CHASSIS event ID# 2076 – tmnxEqCardPChipCamEvent

On platforms without independent IOM/IMM and CPM cards, such as the 7750 SR-1/c4/c12 or 7450 ESS-1, the node will be rebooted if fail-on-error is enabled and one of the card level errors is encountered.

Note that upon the detection of the event/error in the system, the reporting of the event (logs) and the **fail-on-error** behavior of the card are independent. Log event control configuration will determine whether the events are reported in logs (or SNMP traps, etc) and the **fail-on-error** configuration will determine the behavior of the card. This implies that the card can be configured to **fail-on-error** even if the events are suppressed (some may be suppressed in the system by default). In order to facilitate post-failure analysis, it is recommended to enable the reporting of the specific events/errors (configure log event-control) when **fail-on-error** is enabled.

**Default** no fail-on-error

---

## MCM Commands

### mcm

|                    |                                                                                                                                                                          |
|--------------------|--------------------------------------------------------------------------------------------------------------------------------------------------------------------------|
| <b>Syntax</b>      | <b>mcm</b> <i>mcm-slot</i><br><b>no mcm</b> <i>mcm-slot</i>                                                                                                              |
| <b>Context</b>     | config>card                                                                                                                                                              |
| <b>Description</b> | This mandatory command enables access to a card's MCM CLI context to configure MCMs.                                                                                     |
| <b>Default</b>     | No MCM slots are configured by default.                                                                                                                                  |
| <b>Parameters</b>  | <i>mcm-slot</i> — The MCM slot number to be configured. Even slot numbers 2-12 are invalid. MCM provisioning is not required to provision Compact Media Adapters (CMAs). |
| <b>Values</b>      | SR-c4: 1, 3<br>SR-c12: 1, 3, 5, 7, 9, 11                                                                                                                                 |

### mcm-type

|                    |                                                                                                                                                                                                                                                                                                                                                                                                         |
|--------------------|---------------------------------------------------------------------------------------------------------------------------------------------------------------------------------------------------------------------------------------------------------------------------------------------------------------------------------------------------------------------------------------------------------|
| <b>Syntax</b>      | <b>mda</b> <i>mcm-type</i><br><b>no mcm</b> <i>mcm-type</i>                                                                                                                                                                                                                                                                                                                                             |
| <b>Context</b>     | config>card>mcm                                                                                                                                                                                                                                                                                                                                                                                         |
| <b>Description</b> | This mandatory command provisions a specific MCM type to the device configuration for the slot. The MCM can be preprovisioned but an MDA must be provisioned before ports can be configured. Ports can be configured once the MDA is properly provisioned.<br><br>To modify an MCM slot, shut down all port associations. MCMs are required to provision MDAs. MCMs are not required to provision CMAs. |
| <b>Parameters</b>  | <i>mcm-type</i> — The type of MCM to provision for that slot.                                                                                                                                                                                                                                                                                                                                           |
| <b>Values</b>      | mcm-v1, mcm-v2                                                                                                                                                                                                                                                                                                                                                                                          |

---

## MDA Commands

### mda

|                    |                                                                                                                                                                               |
|--------------------|-------------------------------------------------------------------------------------------------------------------------------------------------------------------------------|
| <b>Syntax</b>      | <b>mda</b> <i>mda-slot</i><br><b>no mda</b> <i>mda-slot</i>                                                                                                                   |
| <b>Context</b>     | config>card                                                                                                                                                                   |
| <b>Description</b> | This mandatory command enables access to a card's MDA CLI context to configure MDAs.                                                                                          |
| <b>Default</b>     | No MDA slots are configured by default.                                                                                                                                       |
| <b>Parameters</b>  | <i>mda-slot</i> — The MDA slot number to be configured. MDAs may not be provisioned before MCMs are configured for the same slot. MCMs are not required for CMA provisioning. |
| <b>Values</b>      | 7710 SR c-12 MDA: 1, 3, 5, 7, 9, 11<br>7710 SR c-12 CMA: 1-12<br><br>7710 SR c-4 MDA: 1, 3<br>7710 SR c-4 CMA: 1-4                                                            |

### mda-type

|                    |                                                                                                                                                                                                                                                                                                                                                                                                                                                                                                                                                                                                                                                                                                                                                                                                                                                                                                                                                                                                                                                                                                                                                                                                                                                                                                                   |
|--------------------|-------------------------------------------------------------------------------------------------------------------------------------------------------------------------------------------------------------------------------------------------------------------------------------------------------------------------------------------------------------------------------------------------------------------------------------------------------------------------------------------------------------------------------------------------------------------------------------------------------------------------------------------------------------------------------------------------------------------------------------------------------------------------------------------------------------------------------------------------------------------------------------------------------------------------------------------------------------------------------------------------------------------------------------------------------------------------------------------------------------------------------------------------------------------------------------------------------------------------------------------------------------------------------------------------------------------|
| <b>Syntax</b>      | <b>mda-type</b> <i>mda-type</i><br><b>no mda-type</b>                                                                                                                                                                                                                                                                                                                                                                                                                                                                                                                                                                                                                                                                                                                                                                                                                                                                                                                                                                                                                                                                                                                                                                                                                                                             |
| <b>Context</b>     | config>card>mda                                                                                                                                                                                                                                                                                                                                                                                                                                                                                                                                                                                                                                                                                                                                                                                                                                                                                                                                                                                                                                                                                                                                                                                                                                                                                                   |
| <b>Description</b> | <p>This mandatory command provisions a specific MDA/CMA type to the device configuration for the slot. The MDA/CMA can be preprovisioned but an MDA/CMA must be provisioned before ports can be configured. Ports can be configured once the MDA/CMA is properly provisioned.</p> <p>A maximum of two MDAs or four CMAs (or a combination) can be provisioned on a 7710 SR-c4. Only one MDA/CMA can be provisioned per MDA slot. To modify an MDA slot, shut down all port associations.</p> <p>CMAs do not rely on MCM configuration and are provisioned without MCMs.</p> <p><b>Note:</b> CMAs are provisioned using MDA commands. A medium severity alarm is generated if an MDA/CMA is inserted that does not match the MDA/CMA type configured for the slot. This alarm is cleared when the correct MDA/CMA is inserted or the configuration is modified. A high severity alarm is raised when an administratively enabled MDA/CMA is removed from the chassis. This alarm is cleared if the either the correct MDA/CMA type is inserted or the configuration is modified. A low severity trap is issued if an MDA/CMA is removed that is administratively disabled.</p> <p>An alarm is raised if partial or complete MDA/CMA failure is detected. The alarm is cleared when the error condition ceases.</p> |

## MDA Commands

All parameters in the MDA context remain and if non-default values are required then their configuration remains as it is on all existing MDAs.

The **no** form of this command deletes the MDA/CMA from the configuration. The MDA/CMA must be administratively shut down before it can be deleted from the configuration.

**Default** No MDA/CMA types are configured for any slots by default.

**Parameters** *mda-type* — The type of MDA or CMA selected for the slot position.

**7710:** m60-10/100eth-tx, m8-oc3-sfp, m5-1gb-sfp, m2-oc48-sfp, m20-100eth-sfp, m20-1gb-tx, m4-atmoc12/3-sfp, m20-1gb-sfp, m5-1gb-sfp-b, m4-choc3-as-sfp, c8-10/100eth-tx, c1-1gb-sfp, c8-chds1, c4-ds3, c2-oc12/3-sfp, c8-atmds1, c1-choc3-ces-sfp, m1-choc12-as-sfp, m12-chds3-as, m4-chds3-as, m4-choc3-ces-sfp, m10-1gb-xp-sfp, m20-1gb-xp-sfp, m20-1gb-xp-tx

## clock-mode

**Syntax** **clock-mode adaptive**  
**clock-mode differential [timestamp-freq {19440 | 77760 | 103680}]**

**Context** config>card>mda

**Description** This command defines the clocking mode on the specified CMA/MDA. This command is only supported on CES CMAs and MDAs.

**Default** adaptive

**Parameters** **adaptive** — Specifies that MDA is in the adaptive clock mode. This CMA/MDA can use adaptive clock recovery methods.

**differential** — Specifies that MDA is in the differential clock mode. This CMA/MDA can use differential clock recovery methods.

**timestamp-freq** — This sets the differential timestamp frequency to be 103.68 MHz (default), 77,76 Mhz or 19.44 MHz. The frequency value is entered in kHz, thus valid values are 103680, 77760 and 19440. If this parameter is omitted, the default timestamp frequency of 103.68 MHz is used.

**Values** 19440, 77760, 103680

## ingress

**Syntax** **ingress**

**Context** config>card>mda

**Description** This command enables the context to configure ingress MDA parameters.

## mcast-path-management

**Syntax** **mcast-path-management**

**Context** config>card>mda>ingress

**Description** This command enables the context to configure local MDA settings for ingress multicast path management.

## ancillary-override

**Syntax** **ancillary-override**

**Context** config>card>mda>ingress>mcast-mgmt

**Description** This command enables the context to configure ancillary path bandwidth override parameters.

## path-limit

**Syntax** **path-limit** *megabits-per-second*  
**no path-limit**

**Context** config>card>mda>ingress>mcast-mgmt>anc-override

**Description** This command overrides the path limits contained in the bandwidth policy associated with the MDA.

The **no** form of the command removes the path limit override from an ingress multicast path and restores the path limit defined in the bandwidth policy associated with the MDA.

**Parameters** *megabits-per-second* — Specifies the path limit override to give the upper limit that multicast channels may use on each path.

**Values** ancillary-override: 1 — 5000  
primary-override: 1 — 2000  
secondary-override: 1 — 2000

## bandwidth-policy

**Syntax** **bandwidth-policy** *policy-name*  
**no bandwidth-policy**

**Context** config>card>mda>ingress>mcast-mgmt

**Description** This command specifies an existing multicast bandwidth policy. Bandwidth policies are used to manage the ingress multicast path bandwidth. Each forwarding plane supports multicast forwarding paths into the switch fabric. Bandwidth policy parameters are configured in the **config>mcast-mgmt** context.

**Parameters** *policy-name* — Specifies an existing multicast bandwidth policy.

## primary-override

**Syntax** **primary-override**

**Context** config>card>mda>ingress>mcast-mgmt

**Description** This command enables the context to configure primary path limit override parameters.

## secondary-override

**Syntax** **secondary-override**

**Context** config>card>mda>ingress>mcast-mgmt

**Description** This command enables the context to configure secondary path limit override parameters.

## scheduler-policy

**Syntax** **scheduler-policy** *hsmda-scheduler-policy-name*  
**no scheduler-policy**

**Context** config>card>mda>ingress

**Description** This command overrides the default HSMDA scheduling policy on the ingress MDA. The command can only be executed on an MDA provisioned as a HSMDA. Attempting to provision a scheduler policy on a non-HSMDA will fail. The defined *hsmda-scheduler-policy-name* must be an existing HSMDA scheduler policy. An HSMDA scheduler policy that is currently associated with an HSMDA cannot be removed from the system.

When the scheduler policy is changed on an ingress HSMDA, the ingress scheduling parameters are immediately changed to reflect the parameters within the policy.

The scheduler policy defined on the ingress context of an HSMDA cannot be changed when local scheduler overrides exist. The scheduler overrides must be removed prior to changing the scheduler policy. Once the scheduler policy is changed, any required overrides may be redefined.

The **no** form of the command restores default HSMDA scheduler policy control over the ingress scheduler on the HSMDA. The **no scheduler-policy** command cannot be executed when scheduler overrides exist on the ingress HSMDA. The overrides must be removed prior to executing the **no scheduler-policy** command.

**Parameters** *hsmda-scheduler-policy-name* — Specifies an existing policy created in the **config>qos>hsmda-scheduler-policy** context. The “default” policy name cannot be specified. Instead, the **no scheduler-policy** command should be executed resulting in the default scheduler policy being used by the ingress MDA.

## sync-e

**Syntax** [no] sync-e

**Context** config>card>mda

**Description** This command enables synchronous Ethernet on the MDA. Then any port on the MDA can be used as a source port in the sync-if-timing configuration.

The **no** form of the command disables synchronous Ethernet on the MDA.

---

## Interface QoS Commands

### access

**Syntax** `access`

**Context** `config>card>mda`  
`config>port`

**Description** This command enables the access context to configure egress and ingress pool policy parameters.  
On the MDA level, access egress and ingress pools are only allocated on channelized MDAs/CMAs.

### network

**Syntax** `network`

**Context** `config>card>mda`  
`config>port`

**Description** This command enables the network context to configure egress and ingress pool policy parameters.  
On the MDA level, network egress pools are only allocated on channelized MDAs/CMAs.

### egress

**Syntax** `egress`

**Context** `config>port>access`  
`config>card>mda>access`  
`config>card>mda>network`  
`config>port>network`

**Description** This command enables the context to configure egress buffer pool parameters which define the percentage of the pool buffers that are used for CBS calculations and specify the slope policy that is configured in the `config>qos>slope-policy` context.  
On the MDA level, network and access egress pools are only allocated on channelized MDAs/CMAs.

### ingress

**Syntax** `ingress`

**Context** `config>card>mda>access`

```
config>card>mda>network
config>port>access
```

**Description** This command enables the context to configure ingress buffer pool parameters which define the percentage of the pool buffers that are used for CBS calculations and specify the slope policy that is configured in the **config>qos>slope-policy** context.

On the MDA level, access ingress pools are only allocated on channelized MDAs/CMAs.

## channel

**Syntax** **channel**

**Context** config>port>access>egress

**Description** This command configures access egress parameters for all channels on this port.

## pool

**Syntax** [**no**] **pool** [*name*]

**Context** config>card>mda>access>egress  
 config>card>mda>access>ingress  
 config>card>mda>network>egress  
 config>port>access>egress>channel  
 config>port>access>egress  
 config>port>access>ingress  
 config>port>network>egress  
 config>port>network>ingress  
 config>port>access>uplink>egress

**Description** This command configures pool policies.

On the MDA level, access and network egress and access ingress pools are only allocated on channelized MDAs. On the MDA level, access and network egress and access ingress pools are only allocated on channelized MDAs. Network ingress pools are allocated on the MDA level for non-channelized MDAs.

**Default** default

**Parameters** *name* — Specifies the pool name, a string up to 32 characters long composed of printable, 7-bit ASCII characters. If the string contains special characters (#, \$, spaces, etc.), the entire string must be enclosed within double quotes.

## Interface QoS Commands

### resv-cbs

**Syntax** **resv-cbs** *percent-or-default* **amber-alarm-action step percent max** [1..100]  
**resv-cbs** *percent-or-default*  
**no resv-cbs**

**Context** config>port>access>egress>pool  
config>port>ethernet>network  
config>card>mda>access>egress  
config>card>mda>access>ingress  
config>card>mda>network>egress  
config>card>mda>network>ingress  
config>port>access>egress>channel>pool  
config>port>access>ingress>pool  
config>port>network>egress>pool

**Description** This command defines the percentage or specifies the sum of the pool buffers that are used as a guideline for CBS calculations for access and network ingress and egress queues. Two actions are accomplished by this command.

- A reference point is established to compare the currently assigned (provisioned) total CBS with the amount the buffer pool considers to be reserved. Based on the percentage of the pool reserved that has been provisioned, the over provisioning factor can be calculated.
- The size of the shared portion of the buffer pool is indirectly established. The shared size is important to the calculation of the instantaneous-shared-buffer-utilization and the average-shared-buffer-utilization variables used in Random Early Detection (RED) per packet slope plotting.

It is important to note that this command does not actually set aside buffers within the buffer pool for CBS reservation. The CBS value per queue only determines the point at which enqueueing packets are subject to a RED slope. Oversubscription of CBS could result in a queue operating within its CBS size and still not able to enqueue a packet due to unavailable buffers. The `resv-cbs` parameter can be changed at any time.

If the total pool size is 10 MB and the `resv-cbs` set to 5, the 'reserved size' is 500 KB.

The **no** form of this command restores the default value.

The `no resv-cbs` command will clear all the adaptive configurations. There cannot be any adaptive sizing enabled for default `resv-cbs`.

**Default** default (30%)

**Parameters** *percent-or-default* — Specifies the pool buffer size percentage.

**Values** 0 — 100, default

**amber-alarm-action step percent** — specifies the percentage step-size for the reserved CBS size of the pool. When using the default value, the adaptive CBS sizing is disabled. To enable adaptive CBS sizing, **step percent** must be set to non-default value along with the **max** parameter. When reserved CBS is default adaptive CBS sizing cannot be enabled. The reserved CBS (Committed Burst Size) defines the amount of buffer space within the pool that is not considered shared.

**Values** 1 — 100

**Default** 0

**max [1..100]** — Specifies the maximum percentage for the reserved CBS size of the pool. When using the default value, the adaptive CBS sizing is disabled. To enable adaptive CBS sizing, **max** value must be set to non-default value along with the **step percent**. When reserved CBS is default adaptive CBS sizing cannot be enabled. The reserved CBS (Committed Burst Size) defines the amount of buffer space within the pool that is not considered shared. Max reserved CBS must not be more than the reserved CBS.

**Values** 1 — 100

**Default** 0

## amber-alarm-threshold

**Syntax** **amber-alarm-threshold** *percentage*  
**no amber-alarm-threshold**

**Context** config>card>mda>access>egress>pool  
config>card>mda>access>ingress>pool  
config>card>mda>network>egress>pool  
config>card>mda>network>ingress>pool  
config>port>access>egress>pool  
config>port>access>ingress>pool  
config>port>network>egress>pool

**Description** This command configures the threshold for the amber alarm on the over-subscription allowed. Users can selectively enable amber or red alarm thresholds. But if both are enabled (non-zero) then the red alarm threshold must be greater than the amber alarm threshold. The **no** form of the command reverts to the default value.

**Default** 0

**Parameters** *percentage* — Specifies the amber alarm threshold.

**Values** 1 — 1000

## red-alarm-threshold

**Syntax** **red-alarm-threshold** *percentage*  
**no red-alarm-threshold**

**Context** config>card>mda>access>egress>pool  
config>card>mda>access>ingress>pool  
config>card>mda>network>egress>pool  
config>card>mda>network>ingress>pool  
config>port>access>egress>pool  
config>port>access>ingress>pool  
config>port>network>egress>pool

**Description** This command configures the threshold for the red alarm on the over-subscription allowed.

## Interface QoS Commands

Users can selectively enable amber or red alarm thresholds. But if both are enabled (non-zero) then the red alarm threshold must be greater than the amber alarm threshold.

The **no** form of the command reverts to the default value.

**Default** 0

**Parameters** *percentage* — Specifies the amber alarm threshold.

**Values** 1 — 1000

## slope-policy

**Syntax** **slope-policy** *name*  
**no slope-policy**

**Context** config>port>access>egress>pool  
config>card>mda>access>egress  
config>card>mda>access>ingress  
config>card>mda>network>egress  
config>card>mda>network>ingress  
config>port>access>egress>channel>pool  
config>port>access>ingress>pool  
config>port>network>egress>pool

**Description** This command specifies an existing slope policy which defines high and low priority RED slope parameters and the time average factor. The policy is defined in the **config>qos>slope-policy** context.

---

## General Port Commands

### port

**Syntax** **port** {*port-id* | *bundle-id* | *bpgrp-id* | *aps-id*}  
**no port** {*bundle-id* | *bpgrp-id* | *aps-id*}

**Context** config

**Description** This command enables access to the context to configure ports, multilink bundles, and bundle protection groups (BPGs). Before a port can be configured, the chassis slot must be provisioned with a valid card type and the MDA parameter must be provisioned with a valid MDA type. (See **card** and **mda** commands.)

**Default** No ports are configured. All ports must be explicitly configured and enabled.

**Parameters** *port-id* — Specifies the physical port ID in the *slot/mda/port* format.

*bundle-id* — Specifies the multilink bundle to be associated with this IP interface. The command syntax must be configured as follows:

**Syntax:** *bundle-type-slot/mda.bundle-num*  
**bundle-ppp**-*slot/mda.bundle-num* (Creates a multilink PPP bundle.)  
**bundle:** keyword  
*slot:* card/mda slot numbers  
*bundle-num:* 1 — 256

For example:

```
router1>config# port bundle-1/1.1 (multilink PPP bundle)
```

*aps-id* — This option configures APS on un-bundled SONET/SDH ports. All SONET-SDH port parameters, with certain exceptions, for the working and protection circuit ports must be configured in the **config>port>aps-group-id** context. The working and protection circuit ports inherit all those parameters configured. The exception parameters for the working and protect circuits can be configured in the **config>port>sonet-sdh** context. Exception list commands include:

```
clock-source
[no] loopback
[no] report-alarm
section-trace
[no] threshold
```

When an **aps-group-id** is created all applicable parameters under the port CLI tree (including parameters under any submenus) assume **aps-group-id** defaults, or when those are not explicitly specified, default to SONET/SDH port defaults for any SONET port.

.All but a few exception SONET/SDH parameters for the working channel port must be configured in the **config>port>aps>sonet-sdh** context. The protection channel inherits all the configured parameters. The exception parameters for the protection channel can be configured in the **config>port>aps>sonet-sdh** context.

## General Port Commands

Signal failure (SF) and signal degrade (SD) alarms are not enabled by default on POS interfaces. It is recommended to change the default alarm notification configuration for POS ports that belong to APS groups in order to be notified of SF/SD occurrences to be able to interpret the cause for an APS group to switch the active line.

For path alarms, modify the logical line *aps-id* in the **configure port *aps-id* sonet-sdh path report-alarm** context. For example:

```
configure port aps-1 sonet-sdh path report-alarm p-ais
```

For line alarms, separately, modify the 2 physical ports that are members of the logical *aps-id* port (the working and protect lines). APS reacts only to line alarms, not path alarms.

For example:

```
configure port 1/2/3 sonet-sdh report-alarm lb2er-sd
```

```
configure port 1/3/4 sonet-sdh report-alarm lb2er-sd
```

For example:

```
A:ALA-48>config>port>aps# info
```

```

working-circuit 1/2/3
protect-circuit 1/3/4

```

```
A:ALA-48>config>port>aps#
```

If the SD and SF **threshold** rates must be modified, the changes must be performed at the line level on both the working and protect APS port member.

The **no** form of this command deletes an *aps-group-id* or *bundle-aps-group-id*. In order for an *aps-group-id* to be deleted,

The same rules apply for physical ports, bundles deletions apply to APS ports/bundles deletions (for example an *aps-group-id* must be shutdown, have no service configuration on it, and no path configuration on it). In addition working and protection circuits must be removed before an *aps-group-id* may be removed.

**Syntax:** **port *aps-group-id***  
**aps:** keyword  
**group-id:** 1 — 16

Example: **port aps-16**

## ddm-events

**Syntax** [no] **ddm-events**

**Context** config>port

**Description** This command enables Digital Diagnostic Monitoring (DDM) events for the port.

The **no** form of the command disables DDM events.

## modify-buffer-allocation-rate

**Syntax** **modify-buffer-allocation-rate**

**Context** config>port

**Description** This command enables the context to configure ingress and egress percentage of rate parameters. This command only applies to physical ports (for example, it will not work on APS or similar logical ports). The percentage of rate commands are used to define a percentage value that affects the amount of buffers used by ingress and egress port managed buffer space. Enter the modify-buffer-allocation-rate context when editing the port's percentage of rate commands.

## ing-percentage-of-rate

**Syntax** **ing-percentage-of-rate** *rate-percentage*  
**no ing-percentage-of-rate**

**Context** config>port>modify-buffer-allocation-rate

**Description** This command increases or decreases the active bandwidth associated with the ingress port that affects the amount of ingress buffer space managed by the port. Changing a port's active bandwidth using the ing-percentage-of-rate command is an effective means of artificially lowering the buffers managed by one ingress port and giving them to other ingress ports on the same MDA.

The ing-percentage-of-rate command accepts a percentage value that increases or decreases the active bandwidth based on the defined percentage. A value of 50% causes the active bandwidth to be reduced by 50%. A value of 150% causes the active bandwidth to be increased by 50%. Values from 1 to 1000 percent are supported.

A value of 100 (the default value) is equivalent to executing the no ing-percentage-of-rate command and restores the ingress active rate to the normal value.

**Parameters** *rate-percentage* — The rate-percentage parameter is required and defines the percentage value used to modify the current ingress active bandwidth of the port. This does not actually change the bandwidth available on the port in any way. The defined rate-percentage is multiplied by the ingress active bandwidth of the port. A value of 150 results in an increase of 50% (1.5 x Rate).

**Values** 1 to 1000

**Default** 100 (no change to active rate)

The **no** ing-percentage-of-rate command is used to remove any artificial increase or decrease of the ingress active bandwidth used for ingress buffer space allocation to the port. The no ing-percentage-of-rate command sets rate-percentage to 100%.

## egr-percentage-of-rate

**Syntax** **egr-percentage-of-rate** *rate-percentage*  
**no egr-percentage-of-rate**

**Context** config>port>modify-buffer-allocation-rate

**Description** The egr-percentage-of-rate command is used to increase or decrease the active bandwidth associated with the egress port that affects the amount of egress buffer space managed by the port. Changing a ports active bandwidth using the egr-percentage-of-rate command is an effective means of artificially lowering the buffers managed by one egress port and giving them to other egress ports on the same MDA.

The egr-percentage-of-rate command accepts a percentage value that increases or decreases the active bandwidth based on the defined percentage. A value of 50% causes the active bandwidth to be reduced by 50%. A value of 150% causes the active bandwidth to be increased by 50%. Values from 1 to 1000 percent are supported.

A value of 100 (the default value) is equivalent to executing the no egr-percentage-of-rate command and restores the egress active rate to the normal value.

**Parameters** *rate-percentage* — The rate-percentage parameter is required and defines the percentage value used to modify the current egress active bandwidth of the port. This does not actually change the bandwidth available on the port in any way. The defined rate-percentage is multiplied by the egress active bandwidth of the port. A value of 150 results in an increase of 50% (1.5 x Rate).

**Values** 1 to 1000

**Default** 100 (no change to active rate)

The **no** egr-percentage-of-rate command is used to remove any artificial increase or decrease of the egress active bandwidth used for egress buffer space allocation to the port. The no egr-percentage-of-rate command sets rate-percentage to 100%.

## egress-scheduler-override

**Syntax** [**no**] **egress-scheduler-override**

**Context** config>port>sonet-sdh>path  
config>port>ethernet  
config>port>tdm>ds3  
config>port>tdm>ds1>channel-group  
config>port>tdm>e1>channel-group  
config>port>tdm>e3

**Description** This command applies egress scheduler overrides. When a port scheduler is associated with an egress port, it is possible to override the following parameters:

- The **max-rate** allowed for the scheduler.
- The maximum **rate** for each priority level 8 through 1.
- The CIR associated with each priority level 8 through 1.

See the 77710 SR OS Quality of Service Guide for command syntax and usage for the **port-scheduler-policy** command.

The **no** form of this command removes all override parameters from the egress port or channel scheduler context. Once removed, the port scheduler reverts all rate parameters back to the parameters defined on the port-scheduler-policy associated with the port.

## level

**Syntax** **level** *priority-level* **rate** *pir-rate* [**cir** *cir-rate*]  
**no level** *priority-level*

**Context** config>port>ethernet>egress-scheduler-override  
 config>port>sonet-sdh>path>egress-scheduler-override  
 config>port>tdm>ds3>egress-scheduler-override  
 config>port>tdm>ds1>channel-group>egress-scheduler-override  
 config>port>tdm>e3

**Description** This command overrides the maximum and CIR rate parameters for a specific priority level on the port or channel's port scheduler instance. When the **level** command is executed for a priority level, the corresponding priority level command in the port-scheduler-policy associated with the port is ignored. The override level command supports the keyword **max** for the **rate** and **cir** parameter. When executing the level override command, at least the **rate** or **cir** keywords and associated parameters must be specified for the command to succeed.

The **no** form of this command removes the local port priority level rate overrides. Once removed, the port priority level will use the port scheduler policies level command for that priority level.

**Parameters** *priority-level* — Identifies which of the eight port priority levels are being overridden.

**Values** 1 — 8

**rate** *pir-rate* — Overrides the port scheduler policy's maximum level rate and requires either the **max** keyword or a rate defined in kilobits-per-second to follow.

**Values** 1 — 40000000, max

**cir** *cir-rate* — Overrides the port scheduler policy's within-cir level rate and requires either the **max** keyword or a rate defined in kilobits-per-second to follow.

**Values** 0 — 40000000, max

**max** — removes any existing rate limit imposed by the port scheduler policy for the priority level allowing it to use as much total bandwidth as possible.

## max-rate

**Syntax** **max-rate** *rate*  
**no max-rate**

**Context** config>port>ethernet>egress-scheduler-override

## General Port Commands

```
config>port>sonet-sdh>path>egress-scheduler-override
config>port>tdm>ds3>egress-scheduler-override
config>port>tdm>ds1>channel-group>egress-scheduler-override
config>port>tdm>e3>egress-scheduler-override
config>port>tdm>e1>channel-group>egress-scheduler-override
```

**Description** This command overrides the **max-rate** parameter found in the port-scheduler-policy associated with the port. When a max-rate is defined at the port or channel level, the port scheduler policies max-rate parameter is ignored.

The egress-scheduler-override **max-rate** command supports a parameter that allows the override command to restore the default of not having a rate limit on the port scheduler. This is helpful when the port scheduler policy has an explicit maximum rate defined and it is desirable to remove this limit at the port instance.

The **no** form of this command removes the maximum rate override from the egress port or channels port scheduler context. Once removed, the max-rate parameter from the port scheduler policy associated with the port or channel will be used by the local scheduler context.

**Parameters** *rate* — Specifies the explicit maximum frame based bandwidth limit. This value overrides the QoS scheduler policy rate.

**Values** 1 — 40000000, max

## egress-scheduler-policy

**Syntax** **egress-scheduler-policy** *port-scheduler-policy-name*  
**no egress-scheduler-policy**

**Context** config>port>ethernet  
config>port>tdm>ds3  
config>port>tdm>ds1>channel-group  
config>port>tdm>e3  
config>port>tdm>ds3>channel-group

**Description** This command enables the provisioning of an existing port-scheduler-policy to a port or channel.

The egress-scheduler-override node allows for the definition of the scheduler overrides for a specific port or channel.

When a port scheduler is active on a port or channel, all queues and intermediate service schedulers on the port are subject to receiving bandwidth from the scheduler. Any queues or schedulers with port-parent associations are mapped to the appropriate port priority levels based on the port-parent command parameters. Any queues or schedulers that do not have a port-parent or valid intermediate scheduler parent defined are treated as orphaned and are handled based on the port scheduler policies default or explicit orphan behavior.

The port scheduler maximum rate and priority level rate parameters may be overridden to allow unique values separate from the port-scheduler-policy-name attached to the port or channel. Use the **egress-scheduler-override** command to specify the port or channel specific scheduling parameters.

The command used to associate an egress scheduler policy on the port is overloaded for HSMDA. HSMDA policies should be associated with HSMDA ports.

The **no** form of this command removes a port scheduler policy from an egress port or channel. Once the scheduler policy is removed, all orphaned queues and schedulers revert to a free running state governed only by the local queue or scheduler parameters. This includes any queues or schedulers with a port-parent association.

**Parameters** *port-scheduler-policy-name* — Specifies an existing port-scheduler-policy configured in the **config>qos** context.

## elmi

**Syntax** **elmi**

**Context** config>port>ethernet

**Description** This command configures Ethernet Local Management Interface (E-LMI) parameters for the Ethernet port. E-LMI is only supported on Ethernet access ports with Dot1q encapsulation type.

## mode

**Syntax** **mode {none | uni-n}**

**Context** config>port>ethernet>elmi

**Description** This command configures the the Ethernet LMI mode.

**Default** none

**Parameters** **none** — Specifies that theE LMI mode is set to none.  
**uni-n** — Specifies that theE LMI mode is set to uni-n.

## n393

**Syntax** **n393 [2..10]**  
**no n393**

**Context** config>port>ethernet>elmi

**Description** This command configures the monitored count of consecutive errors.

**Parameters** **2 .. 10** — Specifies the monitored count of consecutive errors.

## General Port Commands

### t391

**Syntax** **t391** [5..30]  
**no t391**

**Context** config>port>ethernet>elmi

**Description** This command configures the polling timer for UNI-C.

**Parameters** 5 ..30 — Specifies the polling timer for UNI-C.

### t392

**Syntax** **t392** [5..30]  
**no t392**

**Context** config>port>ethernet>elmi

**Description** This command configures the polling verification timer for UNI-N.

**Parameters** 5 .. 30 — Specifies the polling verification timer for UNI-N.

### mode

**Syntax** **mode** {access | network}  
**no mode**

**Context** config>port>ethernet  
config>port>sonet-sdh>path  
config>port>tdm>ds1>channel-group  
config>port>tdm>ds3  
config>port>tdm>e1>channel-group  
config>port>tdm>e3

**Description** This command configures an Ethernet port, TDM channel, or SONET/SDH path (sub-port) for **access**, **network** mode operation.

An **access** port or channel is used for customer facing traffic on which services are configured. A Service Access Point (SAP) can only be configured on an access port or channel. When a port is configured for access mode, the appropriate **encap-type** must be specified to distinguish the services on the port or SONET path. Once an Ethernet port, a TDM channel or a SONET path has been configured for access mode, multiple services can be configured on the Ethernet port, a TDM channel or SONET path. Note that ATM, Frame Relay, and cHDLC port parameters can only be configured in the access mode.

An access port or channel is used for customer facing traffic on which services are configured. A Service Access Point (SAP) can only be configured on an access port or channel. When a port is configured for access mode, the appropriate encap-type must be specified to distinguish the services on the port or SONET path. Once an Ethernet port, a TDM channel or a SONET path has been configured for access mode,

multiple services can be configured on the Ethernet port, a TDM channel or SONET path. Note that ATM, Frame Relay, and cHDLC port parameters can only be configured in the access mode.

A network port or channel participates in the service provider transport or infrastructure network when a network mode is selected. When the network option is configured, the `encap-type` cannot be configured for the port/channel.

When network mode is selected on a SONET/SDH path, the appropriate control protocols are activated when the need arises. For example, configuring an IP interface on the SONET path activates IPCP while the removal of the IP interface causes the IPCP to be removed. The same applies for MPLS, MPLSCP, and OSICP. When configuring a SONET/SDH port, the `mode` command must be entered in the channel context or an error message is generated.

The **no** form of this command restores the default.

|                      |                                                                                                                                                                                                                                                                                                                                                                                                                                                               |
|----------------------|---------------------------------------------------------------------------------------------------------------------------------------------------------------------------------------------------------------------------------------------------------------------------------------------------------------------------------------------------------------------------------------------------------------------------------------------------------------|
| <b>Special Cases</b> | <b>SONET/SDH Path</b> — When network mode is selected, the appropriate control protocols are activated when the need arises. For example, configuring an IP interface on the SONET path activates IPCP while the removal of the IP interface causes the IPCP to be removed. The same applies for MPLS, MPLSCP, and OSICP. When configuring a SONET/SDH port, the <b>mode</b> command must be entered in the channel context or an error message is generated. |
| <b>Default</b>       | <b>network</b> — Configures the Ethernet port, TDM channel or SONET path for transport network use.<br><b>access</b> — Default channel/port mode for channelized, ASAP, and ATM MDAs.                                                                                                                                                                                                                                                                         |
| <b>Parameters</b>    | <b>network</b> — Configures the Ethernet port, TDM channel or SONET path as service access.<br><b>access</b> — Configures the Ethernet port, TDM channel or SONET path for transport network use.                                                                                                                                                                                                                                                             |

## mac

|                    |                                                                                                                                                                                                                                                                                                                                                                                                                                                                                                                                                |
|--------------------|------------------------------------------------------------------------------------------------------------------------------------------------------------------------------------------------------------------------------------------------------------------------------------------------------------------------------------------------------------------------------------------------------------------------------------------------------------------------------------------------------------------------------------------------|
| <b>Syntax</b>      | <b>mac</b> <i>ieee-address</i><br><b>no mac</b>                                                                                                                                                                                                                                                                                                                                                                                                                                                                                                |
| <b>Context</b>     | config>port>ethernet<br>config>port>sonet-sdh>path<br>config>port>tdm>ds1>channel-group<br>config>port>tdm>ds3<br>config>port>tdm>e1>channel-group<br>config>port>tdm>e3<br>config>lag<br>config>eth-tunnel                                                                                                                                                                                                                                                                                                                                    |
| <b>Description</b> | This command assigns a specific MAC address to an Ethernet port, Link Aggregation Group (LAG), Ethernet tunnel, or BCP-enabled port or sub-port.<br><br>Only one MAC address can be assigned to a port. When multiple <b>mac</b> commands are entered, the last command overwrites the previous command. When the command is issued while the port is operational, IP will issue an ARP, if appropriate, and BPDU's are sent with the new MAC address.<br><br>The <b>no</b> form of this command returns the MAC address to the default value. |
| <b>Default</b>     | A default MAC address is assigned by the system from the chassis MAC address pool.                                                                                                                                                                                                                                                                                                                                                                                                                                                             |

## General Port Commands

**Parameters** *ieee-address* — Specifies the 48-bit MAC address in the form aa:bb:cc:dd:ee:ff or aa-bb-cc-dd-ee-ff where aa, bb, cc, dd, ee and ff are hexadecimal numbers. Allowed values are any non-broadcast, non-multicast MAC and non-IEEE reserved MAC addresses.

### mtu

**Syntax** **mtu** *mtu-bytes*  
**no mtu**

**Context** config>port>ethernet  
config>port>sonet-sdh>path  
config>port>tdm>ds1>channel-group  
config>port>tdm>ds3  
config>port>tdm>e1>channel-group  
config>port>tdm>e3

**Description** This command configures the maximum payload MTU size for an Ethernet port or PPP-enabled port or subport and Frame Relay-enabled port or subport. The Ethernet port level MTU parameter indirectly defines the largest physical packet the port can transmit or the far-end Ethernet port can receive. Packets received larger than the MTU will be discarded. Packets that cannot be fragmented at egress and exceed the MTU are discarded.

The value specified for the MTU includes the destination MAC address, source MAC address, the Ethertype or Length field and the complete Ethernet payload. The MTU value does not include the preamble, start of frame delimiter or the trailing CRC.

PoS channels use the MTU to define the largest PPP payload a PoS frame may contain. A significant difference between SONET/SDH PoS channel and Ethernet physical MTU values the overhead considered part of the framing method and the overhead considered to be part of the application using the frame. In Ethernet, the preamble, start of frame delimiter and the CRC are considered part of the framing overhead and not part of the frame payload. For a PoS channel, the HDLC framing overhead is not included in the physical MTU; only the PPP and PPP payload are included. If the port mode or encapsulation type is changed, the MTU assumes the default values of the new mode or encapsulation type.

The **no** form of this command restores the default values.

**Default** The default MTU value depends on the (sub-)port type, mode and encapsulation and are listed in the following table:

| Type             | Mode   | Encap Type | Default (Bytes) |
|------------------|--------|------------|-----------------|
| 10/100 or Gig    | Access | null       | 1514            |
| 10/100 or Gig    | Access | dot1q      | 1518            |
| 10/100 or Gig    | Access | q-in-q     | 1522            |
| SONET/SDHor TDM  | Access | mpls       | 1506            |
| SONET/SDH or TDM | Access | bcp-null   | 1518            |

| Type                     | Mode    | Encap Type  | Default (Bytes) |
|--------------------------|---------|-------------|-----------------|
| SONET/SDHor TDM          | Access  | bcp-dot1q   | 1522            |
| SONET/SDH or TDM         | Access  | ipcp        | 1502            |
| SONET/SDHor TDM          | Access  | frame-relay | 1578            |
| ATM, SONET/SDH or TDM    | Access  | atm         | 1524            |
| 10/100 or 100FX Ethernet | Network | null        | 1514            |
| 10/100 or 100FX Ethernet | Network | dot1q       | 1518            |
| SONET/SDH                | Network | ppp-auto    | 1524            |

**Parameters** *mtu-bytes* — Sets the maximum allowable size of the MTU, expressed as an integer.

**Values** 512 — 9212

## General Port Commands

```
config>port>sonet-sdh>path 512 — 9208
config>port>tdm>ds3 512 — 9208
config>port>tdm>ds1>channel-group512 — 9208
config>port>tdm>e3 512 — 9208
config>port>tdm>e1>channel-group512 — 9208
```

### network

**Syntax** **network**

**Context** config>port>tdm>ds1>channel-group  
config>port>tdm>e1>channel-group

**Description** This command enables the context to configure network channel group parameters.

### queue-policy

**Syntax** **queue-policy** *name*  
**no queue-policy**

**Context** config>port>tdm>ds1>channel-group>network  
config>port>tdm>e1>channel-group>network

**Description** This command specifies an existing network policy to apply to the channel group.

### queue-policy

**Syntax** **queue-policy** *name*  
**no queue-policy**

**Context** config>card>mda>network>ingress  
config>port>sonet-sdh>path>network

**Description** This command specifies the network-queue policy which defines queue parameters such as CBS, high priority only burst size, MBS, CIR and PIR rates, as well as forwarding-class to queue mappings. The network-queue policy is defined in the **config>qos>network-queue** context.

**Default** default

**Parameters** *name* — Specifies an existing network-queue policy name.

### ppp

**Syntax** **ppp**

**Context** config>port>sonet-sdh>path

```

config>port>tdm>ds1>channel-group
config>port>tdm>ds3
config>port>tdm>e1>channel-group
config>port>tdm>e3

```

**Description** This command enables access to the context to configure the LCP operational parameters for a SONET/SDH PoS link, a DS--3/E-3 port or channel, a DS-1/E-1 channel or a DS-0 channel.

**Default** no ppp

## compress

**Syntax** **compress {acfc [pfc] | pfc [acfc]}**  
**no compress**

**Context** config>port>tdm>ds1>channel-group>ppp  
config>port>tdm>e1>channel-group>ppp

**Description** This command enables and disables Protocol Field Compression (PFC) per RFC 1661, *The Point-to-Point Protocol (PPP)*, Section 6.5 and Address and Control Field Compression (ACFC) as per Section 6.6.

This command is only supported on DS-1 and E-1 channel groups on ASAP MDAs.

The **no** form of the command disables the header compression.

**Default** no compress

**Parameters** **acfc** — Specifies address and control field compression.  
**pfc** — specifies protocol field compression.

## ber-sf-link-down

**Syntax** [**no**] **ber-sf-link-down**

**Context** config>port>tdm>ds1>channel-group>ppp  
config>port>tdm>e1>channel-group>ppp

**Description** This command enables the port down on BER-SF alarm. When enabled, the link will be placed out of service once ber-sf is detected.

The **no** form of the command reverts to normal operation where the link remains in-service when ber-sf is encountered.

**Default** no ber-sf-link-down

## report-alarm

|                    |                                                                                                                                                                                                                                                                                                                                                                                                                                                                                                                                                                                                                                                                                                                                                                                          |
|--------------------|------------------------------------------------------------------------------------------------------------------------------------------------------------------------------------------------------------------------------------------------------------------------------------------------------------------------------------------------------------------------------------------------------------------------------------------------------------------------------------------------------------------------------------------------------------------------------------------------------------------------------------------------------------------------------------------------------------------------------------------------------------------------------------------|
| <b>Syntax</b>      | <b>[no] report-alarm [ais] [los] [oof] [rai] [looped]</b>                                                                                                                                                                                                                                                                                                                                                                                                                                                                                                                                                                                                                                                                                                                                |
| <b>Context</b>     | config>port>tdm> ds3<br>config>port>tdm> e3                                                                                                                                                                                                                                                                                                                                                                                                                                                                                                                                                                                                                                                                                                                                              |
| <b>Description</b> | This command enables logging of DS-3 and E-3 alarms for a DS-3/E-3 port or channel.<br>The <b>no</b> form of this command disables logging of the specified alarms.                                                                                                                                                                                                                                                                                                                                                                                                                                                                                                                                                                                                                      |
| <b>Parameters</b>  | <b>ais</b> — Reports alarm indication signal errors. When configured, <b>ais</b> alarms are not raised and cleared.<br><b>Default</b> <b>ais</b> alarms are issued<br><b>los</b> — Reports loss of signal errors. When configured, <b>los</b> traps are not raised and cleared.<br><b>Default</b> <b>los</b> traps are issued.<br><b>oof</b> — Reports out-of-frame errors. When configured, <b>oof</b> alarms are not raised and cleared.<br><b>Default</b> <b>oof</b> alarms are not issued.<br><b>rai</b> — Reports resource availability indicator events. When configured, <b>rai</b> events are not raised and cleared.<br><b>Default</b> <b>rai</b> alarms are not issued<br><b>looped</b> — Reports looped packets errors.<br><b>Default</b> <b>looped</b> alarms are not issued |

## scramble

|                    |                                                                                                                                                                                                                                                                                                                                                                                                                                                                                                                                                                                                                                                                                                                                                                                  |
|--------------------|----------------------------------------------------------------------------------------------------------------------------------------------------------------------------------------------------------------------------------------------------------------------------------------------------------------------------------------------------------------------------------------------------------------------------------------------------------------------------------------------------------------------------------------------------------------------------------------------------------------------------------------------------------------------------------------------------------------------------------------------------------------------------------|
| <b>Syntax</b>      | <b>[no] scramble</b>                                                                                                                                                                                                                                                                                                                                                                                                                                                                                                                                                                                                                                                                                                                                                             |
| <b>Context</b>     | config>port>tdm>ds1>channel-group<br>config>port>tdm>ds3<br>config>port>tdm>e1>channel-group<br>config>port>tdm>e3                                                                                                                                                                                                                                                                                                                                                                                                                                                                                                                                                                                                                                                               |
| <b>Description</b> | This command enables payload scrambling on channel groups.<br><br>Scrambling randomizes the pattern of 1s and 0s carried in a SONET frame. Rearranging or scrambling the pattern prevents continuous strings of all 1s or all 0s and meets the needs of physical layer protocols that rely on sufficient transitions between 1s and 0s to maintain clocking.<br><br>For ATM, this command enables or disables ATM cell-level payload scrambling/descrambling using $x^{43}+1$ polynomial as defined in ITU-T I.432.1. Scrambling is enabled by default for the ATM path/channel. Note that this scrambling is done in addition to SONET/SDH frame scrambling/descrambling, which is always enabled in the framer.<br><br>The <b>no</b> form of this command disables scrambling. |
| <b>Default</b>     | no scramble                                                                                                                                                                                                                                                                                                                                                                                                                                                                                                                                                                                                                                                                                                                                                                      |

## keepalive

**Syntax**    **keepalive** *time-interval* [**dropcount** *drop-count*]  
**no keepalive**

**Context**    config>port>sonet-sdh>path>ppp  
              config>port>tdm>ds1>channel-group>cisco-hdlc  
              config>port>tdm>ds1>channel-group>ppp  
              config>port>tdm>ds3>ppp  
              config>port>tdm>e1>ppp  
              config>port>tdm>e3>ppp

**Description**    This command sets the keepalive interval.  
                  The **no** form of this command returns the interval to the default value.

**Default**        10

**Parameters**    *time-interval* — Specifies the time in seconds between keepalive messages, expressed as a decimal integer.

**Values**        1 — 60 seconds

*drop-count* — Specifies the number of consecutive keepalive failed request attempts or remote replies that can be missed after which the port is operationally downed.

**Values**        1 — 255

---

## APS Commands

### aps

|                    |                                                                                                                                                                                                                                                                                                                                                                                                                                                                                                                                                                                                                                                                                                                                               |
|--------------------|-----------------------------------------------------------------------------------------------------------------------------------------------------------------------------------------------------------------------------------------------------------------------------------------------------------------------------------------------------------------------------------------------------------------------------------------------------------------------------------------------------------------------------------------------------------------------------------------------------------------------------------------------------------------------------------------------------------------------------------------------|
| <b>Syntax</b>      | <b>aps</b>                                                                                                                                                                                                                                                                                                                                                                                                                                                                                                                                                                                                                                                                                                                                    |
| <b>Context</b>     | config>port                                                                                                                                                                                                                                                                                                                                                                                                                                                                                                                                                                                                                                                                                                                                   |
| <b>Description</b> | <p>This command configures APS (Automatic Protection Switching). APS is used by SONET/SDH add/drop multiplexers (ADMs) or other SONET/SDH-capable equipment to protect against circuit or equipment failure.</p> <p>An APS group contains a working and a protect circuit and can span a single node (SC-APS) or two nodes (MC-APS).</p> <p>The working and protection configurations on Alcatel-Lucent 7750 SRs must match the circuit configurations on the peer. This means that the working circuit on the 7750 SR must be connected to the peer's working circuit and the protect circuit must be connected to the peer's protection circuit.</p> <p>The <b>aps</b> command is only available for APS groups and not physical ports.</p> |
| <b>Default</b>     | none                                                                                                                                                                                                                                                                                                                                                                                                                                                                                                                                                                                                                                                                                                                                          |

### advertise-interval

|                    |                                                                                                                                                                                                                                                                                                                                                                               |
|--------------------|-------------------------------------------------------------------------------------------------------------------------------------------------------------------------------------------------------------------------------------------------------------------------------------------------------------------------------------------------------------------------------|
| <b>Syntax</b>      | <b>advertise-interval</b> <i>advertise-interval</i><br><b>no advertise-interval</b>                                                                                                                                                                                                                                                                                           |
| <b>Context</b>     | config>port>aps                                                                                                                                                                                                                                                                                                                                                               |
| <b>Description</b> | <p>This command specifies the time interval, in 100s of milliseconds, between 'I am operational' messages sent by both protect and working circuits to their neighbor for multi-chassis APS.</p> <p>The <b>advertise-interval</b> value is valid only for a multi-chassis APS as indicated by the value of the <b>neighbor</b> command value if it is not set to 0.0.0.0.</p> |
| <b>Default</b>     | 10                                                                                                                                                                                                                                                                                                                                                                            |
| <b>Parameters</b>  | <i>advertise-interval</i> — Specifies the time interval, in 100s of milliseconds, between 'I am operational' messages sent by both protect and working circuits to their neighbor for multi-chassis APS.                                                                                                                                                                      |
| <b>Values</b>      | 10 — 650                                                                                                                                                                                                                                                                                                                                                                      |

## hold-time

**Syntax** **hold-time** *hold-time*  
**no hold-time**

**Context** config>port>aps

**Description** This command specifies how much time can pass, in 100s of milliseconds, without receiving an advertise packet from the neighbor before the multi-chassis signaling link is considered not operational.

The **hold-time** is usually 3 times the value of the **advertise-interval**. The value of the **advertise-interval** is valid only for a multi-chassis APS as indicated by the value of neighbor IP address if it is not set to 0.0.0.0.

**Parameters** *hold-time* — Specifies how long to wait for an APS advertisement packet before the peer in a Multi-Chassis APS group is considered operationally down.

**Values** 10 — 650

## hold-time-aps

**Syntax** **hold-time-aps** [**!signal-failure** *sf-time*] [**!signal-degrade** *sd-time*]  
**no hold-time-aps**

**Context** config>port>aps

**Description** This command configures hold-down timers to debounce signal failure conditions (lais, b2err-sf) and signal degrade conditions (b2err-sd) for Uni 1+1 Sig+Data APS switching mode (switching mode uni-1plus1).

The **no** version of this command resets hol a specified string expression from an app-filter definition.

**Default** 0 (disabled)

**Parameters** *sf-time* — Specifies an integer to define the signal failure hold-down time in milliseconds.

**Values** 1 — 100

*sd-time* — Specifies an integer to define the signal degrade hold-down time in milliseconds.

**Values** 1 — 100

## mode-annexb

**Syntax** [**no**] **mode-annexb**

**Context** config>port>aps

**Description** This command configures the aps group for 1+1 Optimized operation as described in Annex B of ITU.T G.841. Note that Annex B operates in non-revertive bi-directional switching mode only as defined in G.841.

## neighbor

**Syntax** **neighbor** *ip-address*  
**no neighbor**

**Context** config>port>aps

**Description** This command specifies the neighbor's IP address only on a multi-chassis APS where the working and protect circuits are configured on different routers. When the value the neighbor IP address is set to 0.0.0.0, this implies that the APS group is configured as a single-chassis APS group.

The route to the neighbor must not traverse the multi-chassis APS member (working or protect) circuits. It is recommended that the neighbor IP address configured is on a shared network between the routers that own the working and protect circuits.

By default no neighbor address is configured and both the working and protect circuits should be configured on the same router (i.e., single-chassis APS). APS is assumed to be configured wholly on a single chassis.

**Parameters** *ip-address* — Specifies the neighbor's IP address only on a multi-chassis APS where the working and protect circuits are configured on different routers. The node should be connected with a direct interface to ensure optimum fail-over time.

**Values**

|               |                                     |
|---------------|-------------------------------------|
| ipv4-address: | a.b.c.d                             |
| ipv6-address: | x:x:x:x:x:x:x (eight 16-bit pieces) |
|               | x:x:x:x:x.d.d.d.d                   |
|               | x: [0 — FFFF]H                      |
|               | d: [0 — 255]D                       |

## protect-circuit

**Syntax** **protect-circuit** *port-id*  
**no protect-circuit**

**Context** config>port>aps

**Description** This command configures a physical port that will act as the protection circuit for this APS group. The protect circuit port must contain only the default configuration and cannot belong to another APS group. The protect circuit port must be of the same type as the working circuit for the APS group, for the port to be added to an APS group port. If that's not the case, the command will return an error.

A protection circuit can only be added if the working circuit already exists; the protection circuit must be removed from the configuration before the working circuit is removed.

When a port is a protect-circuit of an APS group, the configuration options available in the **config>port** *port-id>sonet-sdh* context is not allowed for that port unless it is part of the noted exceptions. The exception list includes these SONET/SDH commands:

clock-source  
 [no] loopback  
 [no] report-alarm

section-trace  
[no] threshold

When is port configured as a protection circuit of an APS group, the configurations described above and all service configurations related to APS port are operationally inherited by the protect circuit. If the protect circuit cannot inherit the configurations (due to resource limitations), the configuration attempt fails and an error is returned to the user.

The protect circuit must be shutdown before it can be removed from the APS group port. The inherited configuration for the circuit and APS operational commands for that circuit are not preserved when the circuit is removed from the APS group.

The **no** form of this command removes the protect-circuit.

**Default** none

**Parameters** *port-id* — Specify the physical port that will act as the protection circuit for this APS group in the *slot/mda/port* format.

**Syntax:** *port-id:* *slot/mda/port*

Also see [Modifying Hold-Down Timer Values on page 241](#) for information about modifying the timer defaults in the event of communication delays between the APS controllers.

## rdi-alarms

**Syntax** **rdi-alarms** [**suppress** | **circuit**]

**Context** config>port>aps

**Description** This command configures how RDI alarms (line, path, section) are generated on physical circuits of an APS ports. The command configuration changes are supported only for switching-mode set to uni\_1plus1. The configuration can be changed only when no working and protecting circuit has been added. Options:

- **circuit**—RDI alarms are H/W-generated independently on each working and protect circuit based on RX failure of that circuit regardless of APS line status.
- **suppress**—RDI H/W generation on working and protect circuits is suppressed. No alarms are generated on RX failure of that circuit.

**Default** **rdi-alarms circuit**

## revert-time

**Syntax** **revert-time** *minutes*  
**no revert-time**

**Context** config>port>aps

**Description** This command configures the revert-time timer to determine how long to wait before switching back to the working circuit after that circuit has been restored into service.

## APS Commands

A change in the *minutes* value takes effect upon the next initiation of the wait to restore (WTR) timer. It does not modify the length of a WTR timer that has already been started. The WTR timer of a non-revertive switch can be assumed to be infinite.

The **no** form of this command restores the default (non-revertive mode).

**Default** The default is to not revert back unless the protect circuit fails or operator intervention.

**Parameters** *minutes* — Specify the time, in minutes, to wait before reverting back to the original working circuit after it has been restored into service.

**Values** 0— 60 minutes

**Default** 5

## switching-mode

**Syntax** **switching-mode** {**uni-1plus1 (R8.0)** | **bi-directional** | **uni-directional**}

**Context** config>port>aps

**Description** This command configures the switching mode for the APS group.

**Parameters** **bi-directional** — Configures the group to operate in Bidirectional 1+1 Signalling APS mode.

**uni-directional** — Configures the group to operate in Unidirectional 1+1 Signalling APS mode.

**uni-1plus1** — Configures the group to operate in Unidirectional 1+1 Signalling and Datapath APS mode (7750 SR-c4/c12 platforms only).

## working-circuit

**Syntax** **working-circuit** *port-id* [**number** *number*]

**Context** config>port>aps

**Description** This command configures a physical port that will act as the working circuit for this APS group. The working circuit port must contain only the default configuration and cannot be part of another APS group. The working circuit must be created before the protection circuit.

When a port is a working circuit of an APS group, the configuration available under **config>port** *port-id* context (including submenus) is not allowed for that port unless it is a part of the noted exceptions.

When a port is being configured as a working circuit of an APS group, all common configuration as described above and all service configurations related to the APS port is operationally inherited by the working circuit from the *aps-group-id*. If the working circuit cannot inherit that configuration, for example, due to resource limitations, the configuration attempt fails and an error is returned to the user.

Before a working circuit can be removed from an APS group, the working circuit port must be shutdown. The inherited configuration for the circuit and APS operational commands for that circuit are not preserved when the circuit is removed from the APS group.

Note that all configurations for *aps-group-id* under the **config>port** context and its submenus and all configuration for services that use this *aps-group-id* is preserved as a non-activated configuration since the APS group no longer has any physical circuits assigned.

The **no** form of this command removes the working-circuit. The working circuit can only be removed from the configuration after the protect circuit has been removed.

**Default** none

**Parameters** *port-id* — Specify the physical port that will act as the working circuit for this APS group.

**Syntax:** *port-id:* *slot/mda/port*

**number** Specify in

**Syntax:** *number:* *1-2*

### Modifying Hold-Down Timer Values

Note that for APS configurations, the **hold-time down** and **hold-time up** default values are 100 ms and 500 ms respectively. But, if there is a large difference in the transmission delay between the APS working (**working-circuit**) and protect line (**protect-circuit**), it is highly suggested to increase the default timer on the working line accordingly with the transmission delay present on the protect line. See [hold-time on page 301](#).

The following output shows an example of the timers on POS interfaces.

```
A:NS044050253# show port aps-1
=====
SONET/SDH Interface
=====
Description : APS Group
Interface : aps-1 Speed : oc3
Admin Status : up Oper Status : up
Physical Link : Yes Loopback Mode : none
Single Fiber Mode : No
Clock Source : node Framing : sonet
Last State Change : 04/11/2007 13:53:01 Port IfIndex : 1358987264
J0 String : 2/1/5 7750-SR-7 Section Trace Mode : string
Rx S1 Byte : 0x00 (stu) Rx K1/K2 Byte : 0x00/0x00
Tx S1 Byte : 0x0f (dnu) Tx DUS/DNU : disabled
Rx J0 String (Hex) : 81 00 00 00 00 00 00 00 00 00 00 00 00 00 00 00
Cfg Alarm : loc lais lrld s1lf lb2er-sd lb2er-sf sl0f sl0s lrei
Alarm Status :
Hold time up : 500 milliseconds
Hold time down : 100 milliseconds
=====
Port Statistics
=====
Input
Output

Packets 6670498 3804661
Discards 0 0
Unknown Proto Discards 0
=====
A:NS044050253#
```

## APS Commands

For unprotected port these timer are different:

A:NS044050253# show port 2/2/2

=====

SONET/SDH Interface

=====

```
Description : OC-48 SONET/SDH
Interface : 2/2/2 Speed : oc48
Admin Status : up Oper Status : up
Physical Link : Yes Loopback Mode : none
Single Fiber Mode : No
APS Group : none APS Role : none
Clock Source : loop Framing : sonet
Last State Change : 04/11/2007 14:53:53 Port IfIndex : 37814272
J0 String : 0x01 Section Trace Mode : byte
Rx S1 Byte : 0x00 (stu) Rx K1/K2 Byte : 0x00/0x00
Tx S1 Byte : 0x0f (dnu) Tx DUS/DNU : disabled
Rx J0 String (Hex) : af 00 00 00 00 00 00 00 00 00 00 00 00 00 00 00
Cfg Alarm : loc lrdi lb2er-sf slof slof
Alarm Status :
Hold time up : 500 milliseconds
Hold time down : 0 milliseconds
Transceiver Data
```

```
Transceiver Type : SFP
Model Number : SFP-OC48-SR1
Transceiver Code : OC48 SR
Laser Wavelength : 1310 Diag Capable : yes
Connector Code : LC Vendor OUI : 00:01:9c
Manufacture date : 2004/08/20 00:00:00 Media : SONET/SDH
Serial Number : 6331000705
Part Number : CT2-MS1LBTD32Z2
Optical Compliance* : 00:01:00:00:00:00:00:00
Link Len 9u : 2 kms Link Len Cu : 0 m
Link Len 9u : 20 * 100m Link Len 62.5u : 0 * 10m
Link Len 50u : 0 * 10m
```

=====

Port Statistics

=====

|                        | Input   | Output  |
|------------------------|---------|---------|
| -----                  | -----   | -----   |
| Packets                | 3870094 | 6656408 |
| Discards               | 0       | 0       |
| Unknown Proto Discards | 0       |         |

=====

A:NS044050253#

## wtr-annexb

**Syntax** `wtr-annexb minutes`

**Context** `config>port>aps`

**Description** This command waits to restore for Annex B mode operation. The delay after which the newly active section becomes the primary section after a switch-over from the primary section to the secondary section occurs and the switch request clears normally.

**Parameters**    *minutes* — Specify the time, in minutes, to wait to restore for Annex B mode operation

---

## Ethernet Port Commands

### ethernet

|                    |                                                                                                                                                                                             |
|--------------------|---------------------------------------------------------------------------------------------------------------------------------------------------------------------------------------------|
| <b>Syntax</b>      | <b>ethernet</b>                                                                                                                                                                             |
| <b>Context</b>     | config>port                                                                                                                                                                                 |
| <b>Description</b> | This command enables access to the context to configure Ethernet port attributes.<br>This context can only be used when configuring Fast Ethernet Ethernet LAN ports on an appropriate MDA. |

### mode

|                    |                                                                                                                                                                                                                                                                                                                                                                                                                                                                                                                                                                                                                                                                                                                                                                                                                                                                                                                                                                                                                                                                                                                                                                                                                                                                                                                                                                                                                                                                                                                                                                                                |
|--------------------|------------------------------------------------------------------------------------------------------------------------------------------------------------------------------------------------------------------------------------------------------------------------------------------------------------------------------------------------------------------------------------------------------------------------------------------------------------------------------------------------------------------------------------------------------------------------------------------------------------------------------------------------------------------------------------------------------------------------------------------------------------------------------------------------------------------------------------------------------------------------------------------------------------------------------------------------------------------------------------------------------------------------------------------------------------------------------------------------------------------------------------------------------------------------------------------------------------------------------------------------------------------------------------------------------------------------------------------------------------------------------------------------------------------------------------------------------------------------------------------------------------------------------------------------------------------------------------------------|
| <b>Syntax</b>      | <b>mode {access   network   hybrid}</b><br><b>no mode</b>                                                                                                                                                                                                                                                                                                                                                                                                                                                                                                                                                                                                                                                                                                                                                                                                                                                                                                                                                                                                                                                                                                                                                                                                                                                                                                                                                                                                                                                                                                                                      |
| <b>Context</b>     | config>port>ethernet<br>config>port>sonet-sdh>path<br>config>port>tdm>ds1>channel-group<br>config>port>tdm>ds3<br>config>port>tdm>e1>channel-group<br>config>port>tdm>e3                                                                                                                                                                                                                                                                                                                                                                                                                                                                                                                                                                                                                                                                                                                                                                                                                                                                                                                                                                                                                                                                                                                                                                                                                                                                                                                                                                                                                       |
| <b>Description</b> | This command configures an Ethernet port for access, network, or hybrid mode of operation. It also configures a TDM channel or SONET/SDH path (sub-port) for access or network mode operation.<br><br>An access port or channel is used for customer facing traffic on which services are configured. A Service Access Point (SAP) can only be configured on an access port or channel. When a port is configured for access mode, the appropriate encap-type must be specified to distinguish the services on the port or SONET path. Once an Ethernet port, a TDM channel or a SONET path has been configured for access mode, multiple services can be configured on the Ethernet port, a TDM channel or SONET path. Note that ATM, Frame Relay, and cHDLC port parameters can only be configured in the access mode.<br><br>A network port or channel participates in the service provider transport or infrastructure network when a network mode is selected. When the network option is configured, the encap-type cannot be configured for the port/channel.<br><br>When network mode is selected on a SONET/SDH path, the appropriate control protocols are activated when the need arises. For example, configuring an IP interface on the SONET path activates IPCP while the removal of the IP interface causes the IPCP to be removed. The same applies for MPLS, MPLSCP, and OSICP. When configuring a SONET/SDH port, the mode command must be entered in the channel context or an error message is generated.<br><br>The <b>no</b> form of this command restores the default. |
| <b>Default</b>     | network — for Ethernet ports<br>access — for TDM channel or SONET paths                                                                                                                                                                                                                                                                                                                                                                                                                                                                                                                                                                                                                                                                                                                                                                                                                                                                                                                                                                                                                                                                                                                                                                                                                                                                                                                                                                                                                                                                                                                        |

**Parameters**    **access** — Configures the Ethernet port, TDM channel or SONET path as service access.  
**network** — Configures the Ethernet port, TDM channel or SONET path for transport network use.

## access

**Syntax**    **access**

**Context**    config>port>ethernet

**Description**    This command configures Ethernet access port parameters.

## egress

**Syntax**    **egress**

**Context**    config>port>ethernet>access  
config>port>ethernet>network

**Description**    This command configures Ethernet access egress port parameters.

## egress

**Syntax**    **egress**

**Context**    config>port>ethernet

This command configures Ethernet egress port parameters.

## ingress

**Syntax**    **ingress**

**Context**    config>port>ethernet>access

**Description**    This command configures Ethernet access ingress port parameters.

## queue-group

**Syntax**    **queue-group** *queue-group-name* [**create**]  
**no queue-group** *queue-group-name*

**Context**    config>port>ethernet>access>egr  
config>port>ethernet>access>ing  
config>port>ethernet>network>egr

## Ethernet Port Commands

**Description** This command creates an ingress or egress queue group on an Ethernet port. A queue group is a collection of queues identified by a group name. Queue groups are used as an alternative queue destination for SAPs or egress IP interfaces. Queue groups are not supported on HSMDA Ethernet ports.

Within a SAP, a forwarding class may be redirected from the local SAP queue to a port queue group queue. The forwarding classes from multiple SAPs may be redirected to the same queue group which can be used to minimize the number of per-SAP queues.

Within a network IP interface, an egress forwarding class may be redirected from the port network queue (created by the network-queue policy applied to the network port) to an egress port queue group. The egress queue groups may be used to create queues per egress IP interface. In this case, each IP interface would be mapped to a different queue group and the network QoS policy applied to the IP interface will dictate which forwarding classes are redirected to the queue group. As an alternative, multiple IP interfaces may share the same queue group.

Queue groups may be created on both access and network oriented ports. When the port is in access mode, the queue groups must be created within the port access node. Queue groups on network mode ports are created within the network node.

Within the access and network nodes, queue groups are also configured as ingress or egress. Access ingress queue groups can only be used by ingress SAP forwarding classes and only a single ingress queue group per port is supported. Multiple access egress queue groups may be created on a single port and are used by egress SAP forwarding classes. On network mode ports, queue groups are only supported on the egress side and are used by forwarding classes on egress IP interfaces.

When the queue group is created in an ingress port context, the group-name must be an existing ingress queue group template. Similarly, queue groups created in an egress port context must have a group-name of an existing egress queue group template. Two ingress queue groups with the same name cannot be created on the same port. Two egress queue groups cannot be created on the same port with the same name.

The queues defined in the template are created on the queue group. The queue parameters within the template are used as the default queue parameters for each queue in the queue group. The default queue parameters for each queue may be overridden on the queue group with specific queue parameters.

Each queue group supports the application of a scheduler-policy for the purpose of managing the queues within the group into an aggregate SLA. The queues defined within the template may be configured with parent scheduler defining the mapping of a queue to one of the schedulers within the scheduler policy. Egress queue groups also support the agg-rate-limit parameter and the queues in the egress template support the port-parent command. Each command is used for configuring egress port virtual scheduling behavior.

Each queue group allows the application of an accounting policy and the ability to enable and disable collecting statistics. The statistics are derived from the queue counters on each queue within the queue group. The accounting policy defines which queue counters are collected and to which accounting file they will be written.

A queue group does not have an administrative shutdown or no shutdown command. A queue group is considered to be always up once created.

When creating a queue group, the system will attempt to allocate queue resources based on the queues defined in the queue group template. If the appropriate queue resources do not currently exist, the queue

group will not be created. Ingress port queue groups do not support the shared-queuing or multipoint-shared queuing behavior.

When the queue group is created on a LAG (Link Aggregation Group), it must be created on the primary port member. The primary port member is the port with the lowest port ID based on the slot, MDA position and port number on the MDA. A queue group created on the primary LAG port will be automatically created on all other port members. If a new port is being added to a LAG with an existing queue group, the queue group must first be created on the port prior to adding the port to the LAG. If the LAG queue group has queue overrides, the queue overrides must also be defined on the port queue group prior to adding the port to the LAG.

A port queue group cannot be removed from the port when a forwarding class is currently redirected to the group. All forwarding class redirections must first be removed prior to removing the queue group.

**Default** none

**Parameters** *group-name* — The *group-name* parameter is required when executing the port queue-group command. The specified *group-name* must exist as an ingress or egress queue group template depending on the ingress or egress context of the port queue group. Only a single queue group may be created on an ingress port. Multiple queue groups may be created on an egress port.

**create** — Keyword used to associate the queue group. The **create** keyword requirement can be enabled/disabled in the **environment>create** context.

## agg-rate-limit

**Syntax** **agg-rate-limit** *kilobits-per-second* [**queue-frame-based-accounting**]  
**no agg-rate-limit**

**Context** config>port>ethernet>access>egr>qgrp  
config>port>ethernet>access>ing>qgrp  
config>port>ethernet>network>egr>qgrp

**Description** This command defines the maximum total rate of all egress queues in this queue-group. If a port scheduler is not defined on the egress port, the queues are allowed to operate based on their own bandwidth parameters.

The **no** form of the command removes the aggregate rate limit from the configuration.

**Parameters** *agg-rate* — Defines the rate, in kilobits-per-second, that the maximum aggregate rate the queues on the port can operate.

**Values** 1 — 40000000, max

**queue-frame-based-accounting** — This keyword enables frame based accounting on all queues associated with the port. If frame based accounting is required when an aggregate limit is not necessary, the **max** keyword should precede the **queue-frame-based-accounting** keyword. If frame based accounting must be disabled, execute **agg-rate-limit** without the **queue-frame-based-accounting** keyword present.

### host-match

|                    |                                                                                                                                                                                                                                                                                     |
|--------------------|-------------------------------------------------------------------------------------------------------------------------------------------------------------------------------------------------------------------------------------------------------------------------------------|
| <b>Syntax</b>      | <b>host-match dest</b> <i>destination-string</i> [ <b>create</b> ]<br><b>no host-match dest</b> <i>destination-string</i>                                                                                                                                                           |
| <b>Context</b>     | config>port>ethernet>access>egr>qgrp                                                                                                                                                                                                                                                |
| <b>Description</b> | This command configures host matching for the Ethernet port egress queue-group.<br>The no form of the command removes                                                                                                                                                               |
| <b>Parameters</b>  | <b>dest</b> <i>destination-string</i> — Specify a host match destination string up to 32 characters in length.<br><b>create</b> — Keyword used to create the host match. The <b>create</b> keyword requirement can be enabled/disabled in the <b>environment&gt;create</b> context. |

### queue-overrides

|                    |                                                                                                                       |
|--------------------|-----------------------------------------------------------------------------------------------------------------------|
| <b>Syntax</b>      | <b>queue-overrides</b>                                                                                                |
| <b>Context</b>     | config>port>ethernet>access>egr>qgrp<br>config>port>ethernet>access>ing>qgrp<br>config>port>ethernet>network>egr>qgrp |
| <b>Description</b> | This command enables the context to define optional queue parameter overrides for each queue within the queue group.  |

### queue

|                    |                                                                                                                                                                                                                                                                                                                                                                                                                                                                                                                                                                                                                                                                                                                                                                                                                                                                                           |
|--------------------|-------------------------------------------------------------------------------------------------------------------------------------------------------------------------------------------------------------------------------------------------------------------------------------------------------------------------------------------------------------------------------------------------------------------------------------------------------------------------------------------------------------------------------------------------------------------------------------------------------------------------------------------------------------------------------------------------------------------------------------------------------------------------------------------------------------------------------------------------------------------------------------------|
| <b>Syntax</b>      | <b>queue</b> <i>queue-id</i> [ <i>queue-type</i> ] [ <b>create</b> ]<br><b>no queue</b> <i>queue-id</i>                                                                                                                                                                                                                                                                                                                                                                                                                                                                                                                                                                                                                                                                                                                                                                                   |
| <b>Context</b>     | config>port>ethernet>access>egr>qgrp>qover<br>config>port>ethernet>access>ing>qgrp>qover<br>config>port>eth>network>egr>qgrp>qover                                                                                                                                                                                                                                                                                                                                                                                                                                                                                                                                                                                                                                                                                                                                                        |
| <b>Description</b> | This command associates a queue for use in a queue group template. The defined queue-id acts as a repository for the default parameters for the queue. The template queue is created on each queue-group object which is created with the queue group template name. Each queue is identified within the template by a queue-id number. The template ensures that all queue groups created with the template's name will have the same queue-ids providing a uniform structure for the forwarding class redirection commands in the SAP egress QoS policies. The parameters within the template queue will be used as the default settings for each queue in the actual queue group. The queue parameters may be individually changed for each queue in each queue group using per queue overrides.<br><br>The <b>no</b> form of the command removes the queue-id from the configuration. |
| <b>Default</b>     | none                                                                                                                                                                                                                                                                                                                                                                                                                                                                                                                                                                                                                                                                                                                                                                                                                                                                                      |

## adaptation-rule

|                    |                                                                                                                                                                                                                                                                                                                                                                                                                                                                                                                                                                                                                                                                                                                                                                                                                                                                                                                                                                                                                                                                                                                                                                                                                                                                                                                                                                                                                                                                                                                                                                                                                                                                                                             |
|--------------------|-------------------------------------------------------------------------------------------------------------------------------------------------------------------------------------------------------------------------------------------------------------------------------------------------------------------------------------------------------------------------------------------------------------------------------------------------------------------------------------------------------------------------------------------------------------------------------------------------------------------------------------------------------------------------------------------------------------------------------------------------------------------------------------------------------------------------------------------------------------------------------------------------------------------------------------------------------------------------------------------------------------------------------------------------------------------------------------------------------------------------------------------------------------------------------------------------------------------------------------------------------------------------------------------------------------------------------------------------------------------------------------------------------------------------------------------------------------------------------------------------------------------------------------------------------------------------------------------------------------------------------------------------------------------------------------------------------------|
| <b>Syntax</b>      | <b>adaptation-rule</b> [ <i>pir adaptation-rule</i> ] [ <i>cir adaptation-rule</i> ]<br><b>no adaptation-rule</b>                                                                                                                                                                                                                                                                                                                                                                                                                                                                                                                                                                                                                                                                                                                                                                                                                                                                                                                                                                                                                                                                                                                                                                                                                                                                                                                                                                                                                                                                                                                                                                                           |
| <b>Context</b>     | config>port>ethernet>access>egr>qgrp>qover>q<br>config>port>ethernet>access>ing>qgrp>qover>q<br>config>port>ethernet>network>egr>qover>q                                                                                                                                                                                                                                                                                                                                                                                                                                                                                                                                                                                                                                                                                                                                                                                                                                                                                                                                                                                                                                                                                                                                                                                                                                                                                                                                                                                                                                                                                                                                                                    |
| <b>Description</b> | <p>This command specifies the method used by the system to derive the operational CIR and PIR settings when the queue is provisioned in hardware. For the CIR and PIR parameters individually, the system attempts to find the best operational rate depending on the defined constraint.</p> <p>The <b>no</b> form of the command removes any explicitly defined constraints used to derive the operational CIR and PIR created by the application of the policy. When a specific <b>adaptation-rule</b> is removed, the default constraints for <b>rate</b> and <b>cir</b> apply.</p>                                                                                                                                                                                                                                                                                                                                                                                                                                                                                                                                                                                                                                                                                                                                                                                                                                                                                                                                                                                                                                                                                                                     |
| <b>Default</b>     | adaptation-rule pir closest cir closest                                                                                                                                                                                                                                                                                                                                                                                                                                                                                                                                                                                                                                                                                                                                                                                                                                                                                                                                                                                                                                                                                                                                                                                                                                                                                                                                                                                                                                                                                                                                                                                                                                                                     |
| <b>Parameters</b>  | <p><b>pir</b> — Defines the constraints enforced when adapting the PIR rate defined within the <b>queue queue-id rate</b> command. The <b>pir</b> parameter requires a qualifier that defines the constraint used when deriving the operational PIR for the queue. When the <b>rate</b> command is not specified, the default applies.</p> <p><b>cir</b> — Defines the constraints enforced when adapting the CIR rate defined within the <b>queue queue-id rate</b> command. The <b>cir</b> parameter requires a qualifier that defines the constraint used when deriving the operational CIR for the queue. When the <b>cir</b> parameter is not specified, the default constraint applies.</p> <p><i>adaptation-rule</i> — Specifies the adaptation rule to be used while computing the operational CIR or PIR value.</p> <p><b>Values</b></p> <p><b>max</b> — The <b>max</b> (maximum) option is mutually exclusive with the <b>min</b> and <b>closest</b> options. When <b>max</b> is defined, the operational PIR for the queue will be equal to or less than the administrative rate specified using the <b>rate</b> command.</p> <p><b>min</b> — The <b>min</b> (minimum) option is mutually exclusive with the <b>max</b> and <b>closest</b> options. When <b>min</b> is defined, the operational PIR for the queue will be equal to or greater than the administrative rate specified using the <b>rate</b> command.</p> <p><b>closest</b> — The <b>closest</b> parameter is mutually exclusive with the <b>min</b> and <b>max</b> parameter. When <b>closest</b> is defined, the operational PIR for the queue will be the rate closest to the rate specified using the <b>rate</b> command.</p> |

## burst-limit

|                |                                                                                                               |
|----------------|---------------------------------------------------------------------------------------------------------------|
| <b>Syntax</b>  | <b>burst-limit</b> { <b>default</b>   <i>size</i> [ <b>byte</b>   <b>kilobyte</b> ]}<br><b>no burst-limit</b> |
| <b>Context</b> | config>port>ethernet>access>egr>qgrp>qover>q<br>config>port>ethernet>access>ing>qgrp>qover>q                  |

## Ethernet Port Commands

```
config>port>ethernet>network>egr>qover>q
```

### Description

The `queue burst-limit` command is used to define an explicit shaping burst size for a queue. The configured size defines the shaping leaky bucket threshold level that indicates the maximum burst over the queue's shaping rate.

The `burst-limit` command is supported under the `sap-ingress` and `sap-egress` QoS policy queues. The command is also supported under the `ingress` and `egress queue-group-templates` queues.

The **no** form of this command is used to restore the default burst limit to the specified queue. This is equivalent to specifying `burst-limit default` within the QoS policies or queue group templates. When specified within a `queue-override` queue context, any current burst limit override for the queue will be removed and the queue's burst limit will be controlled by its defining policy or template.

### Parameters

**default** — The default parameter is mutually exclusive to specifying an explicit size value. When `burst-limit default` is executed, the queue is returned to the system default value.

**size** — When a numeric value is specified (`size`), the system interprets the value as an explicit burst limit size. The value is expressed as an integer and by default is interpreted as the burst limit in Kilobytes. If the value is intended to be interpreted in bytes, the byte qualifier must be added following `size`.

**Values** 1 to 14,000 (14,000 or 14,000,000 depending on bytes or kilobytes)

**Default** No default for `size`, use the default keyword to specify default burst limit

**byte** — The **bytes** qualifier is used to specify that the value given for `size` must be interpreted as the burst limit in bytes. The byte qualifier is optional and mutually exclusive with the kilobytes qualifier.

**kilobyte** — The **kilobyte** qualifier is used to specify that the value given for `size` must be interpreted as the burst limit in Kilobytes. The kilobyte qualifier is optional and mutually exclusive with the bytes qualifier. If neither bytes nor kilobytes is specified, the default qualifier is kilobytes.

## cbs

**Syntax** **cbs** *size-in-kbytes*  
**no cbs**

**Context** `config>port>ethernet>access>egr>qgrp>qover>q`  
`config>port>ethernet>access>ing>qgrp>qover>q`  
`config>port>ethernet>network>egr>qover>q`

### Description

The `cbs` command is used to define the default committed buffer size for the template queue. Overall, the `cbs` command follows the same behavior and provisioning characteristics as the `cbs` command in the SAP ingress QoS policy. The exception is the addition of the `cbs-value` qualifier keywords `bytes` or `kilobytes`.

The **no** form of this command restores the default CBS size to the template queue.

**Default** default

### Parameters

*size-in-kbytes* — The `size` parameter is an integer expression of the number of kilobytes reserved for the queue. If a value of 10KBytes is desired, enter the value 10. A value of 0 specifies that no reserved buffers are required by the queue (a minimal reserved size can still be applied for scheduling purposes).

**Values** 0 — 131072 or default

## high-prio-only

|                    |                                                                                                                                                                                                                                                                                                                                                                                                                                                                                                                                                                         |
|--------------------|-------------------------------------------------------------------------------------------------------------------------------------------------------------------------------------------------------------------------------------------------------------------------------------------------------------------------------------------------------------------------------------------------------------------------------------------------------------------------------------------------------------------------------------------------------------------------|
| <b>Syntax</b>      | <b>high-prio-only</b> <i>percent</i><br><b>no high-prio-only</b>                                                                                                                                                                                                                                                                                                                                                                                                                                                                                                        |
| <b>Context</b>     | config>port>ethernet>access>egr>qgrp>qover>q<br>config>port>ethernet>access>ing>qgrp>qover>q<br>config>port>ethernet>network>egr>qover>q                                                                                                                                                                                                                                                                                                                                                                                                                                |
| <b>Description</b> | <p>The <b>high-prio-only</b> command specifies the percentage of buffer space for the queue, used exclusively by high priority packets. The specified value overrides the default value for the context.</p> <p>The priority of a packet can only be set in the SAP ingress QoS policy and is only applicable on the ingress queues for a SAP. The <b>high-prio-only</b> parameter is used to override the default value derived from the <b>network-queue</b> command.</p> <p>The <b>no</b> form of this command restores the default high priority reserved size.</p> |
| <b>Parameters</b>  | <p><i>percent</i> — The percentage reserved for high priority traffic on the queue. If a value of 10KBytes is desired, enter the value 10.</p> <p><b>Values</b>      0 — 100, default</p>                                                                                                                                                                                                                                                                                                                                                                               |

## mbs

|                    |                                                                                                                                                                                                                                                                                                                                                                                                                                                                                                                                                                                                                                                                                                                                                                                                                                                                                                                                                                                                                                                                                                                                                                                                                                                                                                                                                                                                                                                                                   |
|--------------------|-----------------------------------------------------------------------------------------------------------------------------------------------------------------------------------------------------------------------------------------------------------------------------------------------------------------------------------------------------------------------------------------------------------------------------------------------------------------------------------------------------------------------------------------------------------------------------------------------------------------------------------------------------------------------------------------------------------------------------------------------------------------------------------------------------------------------------------------------------------------------------------------------------------------------------------------------------------------------------------------------------------------------------------------------------------------------------------------------------------------------------------------------------------------------------------------------------------------------------------------------------------------------------------------------------------------------------------------------------------------------------------------------------------------------------------------------------------------------------------|
| <b>Syntax</b>      | <b>mbs</b> <i>size-in-kbytes</i><br><b>no mbs</b>                                                                                                                                                                                                                                                                                                                                                                                                                                                                                                                                                                                                                                                                                                                                                                                                                                                                                                                                                                                                                                                                                                                                                                                                                                                                                                                                                                                                                                 |
| <b>Context</b>     | config>port>ethernet>access>egr>qgrp>qover>q<br>config>port>ethernet>access>ing>qgrp>qover>q<br>config>port>ethernet>network>egr>qover>q                                                                                                                                                                                                                                                                                                                                                                                                                                                                                                                                                                                                                                                                                                                                                                                                                                                                                                                                                                                                                                                                                                                                                                                                                                                                                                                                          |
| <b>Description</b> | <p>The Maximum Burst Size (MBS) command specifies the default maximum buffer size for the template queue. The value is given in kilobytes.</p> <p>The MBS value is used by a queue to determine whether it has exhausted all of its buffers while enqueueing packets. Once the queue has exceeded the amount of buffers allowed by MBS, all packets are discarded until packets have been drained from the queue.</p> <p>The sap-ingress context for mbs provides a mechanism for overriding the default maximum size for the queue.</p> <p>The sum of the MBS for all queues on an ingress access port can oversubscribe the total amount of buffering available. When congestion occurs and buffers become scarce, access to buffers is controlled by the RED slope a packet is associated with. A queue that has not exceeded its MBS size is not guaranteed that a buffer will be available when needed or that the packets RED slope will not force the discard of the packet. Setting proper CBS parameters and controlling CBS oversubscription is one major safeguard to queue starvation (when a queue does not receive its fair share of buffers). Another is properly setting the RED slope parameters for the needs of services on this port or channel.</p> <p>If the CBS value is larger than the MBS value, an error will occur, preventing the MBS change.</p> <p>The <b>no</b> form of this command returns the MBS size assigned to the queue to the value.</p> |

## Ethernet Port Commands

**Default** default

**Parameters** *size-in-kbytes* — The size parameter is an integer expression of the maximum number of kilobytes of buffering allowed for the queue. For a value of 100 kbps, enter the value 100. A value of 0 causes the queue to discard all packets.

**Values** 0 — 131072 or default

## rate

**Syntax** **rate** *pir-rate* [**cir** *cir-rate*]  
**no rate**

**Context** config>port>ethernet>access>egr>qgrp>qover>q  
config>port>ethernet>access>ing>qgrp>qover>q  
config>port>ethernet>network>egr>qover>q

**Description** This command specifies the administrative Peak Information Rate (PIR) and the administrative Committed Information Rate (CIR) parameters for the queue. The PIR defines the maximum rate that the queue can transmit packets out an egress interface (for SAP egress queues). Defining a PIR does not necessarily guarantee that the queue can transmit at the intended rate. The actual rate sustained by the queue can be limited by oversubscription factors or available egress bandwidth.

The CIR defines the rate at which the system prioritizes the queue over other queues competing for the same bandwidth. In-profile packets are preferentially queued by the system at egress and at subsequent next hop nodes where the packet can traverse. To be properly handled as in- or out-of-profile throughout the network, the packets must be marked accordingly for profiling at each hop.

The CIR can be used by the queue's parent commands *cir-level* and *cir-weight* parameters to define the amount of bandwidth considered to be committed for the child queue during bandwidth allocation by the parent scheduler.

The **rate** command can be executed at anytime, altering the PIR and CIR rates for all queues created through the association of the SAP egress QoS policy with the *queue-id*.

The **no** form of the command returns all queues created with the *queue-id* by association with the QoS policy to the default PIR and CIR parameters (**max**, 0).

**Default** **rate max cir 0** — The **max** default specifies the amount of bandwidth in kilobits per second (thousand bits per second). The **max** value is mutually exclusive to the **pir-rate** value.

**Parameters** *pir-rate* — Defines the administrative PIR rate, in kilobits, for the queue. When the **rate** command is executed, a valid PIR setting must be explicitly defined. When the **rate** command has not been executed, the default PIR of **max** is assumed.

Fractional values are not allowed and must be given as a positive integer.

The actual PIR rate is dependent on the queue's **adaptation-rule** parameters and the actual hardware where the queue is provisioned.

**Values** 1 — 100000000, **max**

**Default** max

*cir-rate* — The **cir** parameter overrides the default administrative CIR used by the queue. When the **rate** command is executed, a CIR setting is optional. When the **rate** command has not been executed or the **cir** parameter is not explicitly specified, the default CIR (0) is assumed. Fractional values are not allowed and must be given as a positive integer.

**Values** 0 — 100000000, **max**

**Default** 0

## scheduler-policy

**Syntax** **scheduler-policy** *scheduler-policy-name*  
**no scheduler-policy**

**Context** config>port>ethernet>access>egr>qgrp  
config>port>ethernet>access>ing>qgrp  
config>port>ethernet>network>egr>qgrp

**Description** This command associates a virtual scheduler policy with a port queue group. Scheduler policies are defined in the **config>qos>scheduler-policy** *scheduler-policy-name* context.

The **no** form of this command removes the configured ingress or egress scheduler policy from the queue-group.

**Parameters** *scheduler-policy-name* — The *scheduler-policy-name* parameter applies an existing scheduler policy that was created in the **config>qos>scheduler-policy** *scheduler-policy-name* context to create the hierarchy of ingress or egress virtual schedulers.

## exp-secondary-shaper

**Syntax** **exp-secondary-shaper** {**default** | *secondary-shaper-name*} **create**  
**no exp-secondary-shaper** *secondary-shaper-name*

**Context** config>port>ethernet>egress

**Description** This command configures the Ethernet egress expanded secondary shaper on this port.

**Parameters** *secondary-shaper-name* — Specifies the secondary shaper name to apply to this port.

**default** — Specifies the default secondary shaper to apply to this port.

**create** — Creates a new secondary shaper for this port.

## rate

**Syntax**    **rate** {**max** | **kilobits-per-second**}  
              **no rate**

**Context**    config>port>ethernet>egress>exp-secondary-shaper

**Description**    This command is used to configure the shaper's metering and optional profiling rates. The metering rate is used by the system to configure the shaper's PIR leaky bucket's decrement rate. The decrement function empties the bucket while packets applied to the bucket attempt to fill it based on the each packets size. If the bucket fills faster than how much is decremented per packet, the bucket's depth eventually reaches its violate (PIR) threshold.

The **no** form of this command is used to restore the default metering and profiling rate to a policer.

**Parameters**    {**max** | *kilobits-per-second*} — Specifying the keyword **max** or an explicit *kilobits-per-second* parameter directly following the rate command is required and identifies the policer's metering rate for the PIR leaky bucket. When the shaper is first created, the metering rate defaults to max. The *kilobits-per-second* value must be expressed as an integer and defines the rate in kilobits-per-second. The integer value is multiplied by 1,000 to derive the actual rate in bits-per-second.

**Values**        1—10000000 kbps

## low-burst-max-class

**Syntax**        **class** *class-id*  
              **no class**

**Context**        config>port>ethernet>egress>exp-secondary-shaper

**Description**    This command assigns the low burst maximum class to associate with the Ethernet egress expanded secondary shaper.

The **no** form of the command returns the class id for the Ethernet egress expanded secondary shaper to the default value.

**Parameters**    *class-id* — Specifies the class identifier of the low burst max class for the shaper.

**Values**        1— 32

## class

**Syntax**        **low-burst-max-class** *class-number* **rate** {*kilobits-per-second* | **max**} [**monitor-threshold** *size-in-kilobytes*]  
              **no low-burst-max-class**

**Context**        config>port>ethernet>egress>exp-secondary-shaper

**Description**    This command specifies the class to associate with the Ethernet egress expanded secondary shaper.

The **no** form of the command returns the class number value for the Ethernet egress expanded secondary shaper to the default value.

- Parameters** *class-number* — Specifies the class number of the class for the secondary shaper.
- Values** 1— 8
- rate** {*kilobits-per-second* / **max**} — Specifies the rate limit for the secondary shaper.
- Values** **max**, 1— 10000000
- monitor-threshold** *size-in-kilobytes* — Specifies the monitor threshold for the secondary shaper.
- Values** 0— 8190

## vport

**Syntax** **vport** *name* [**create**]  
**no vport** *name*

**Context** config>port>ethernet>access>egress

**Description** This command configures a scheduling node, referred to as virtual port, within the context of an egress Ethernet port. The vport scheduler operates exactly like a port scheduler with the difference that multiple vport objects can be configured on the egress context of an Ethernet port.

The vport is always configured at the port level even when a port is a member of a LAG.

The user applies a port scheduler policy to a vport using the following command:

**configure>port>ethernet>access>egress>vport>port-scheduler-policy port-scheduler-policy-name**

A vport cannot be parented to the port scheduler. The CLI will not allow the user to apply a port scheduler policy to a vport if one has been applied to the port. Conversely, the CLI will not allow the user to apply a port scheduler policy to the egress of an Ethernet port if one has been applied to any vport defined on the access egress context of this port. It is thus important the user ensures that the sum of the max-rate parameter value in the port scheduler policies of all vport instances on a given egress Ethernet port does not oversubscribe the port? rate.

SAP and subscriber host queues can be port-parented to a vport scheduler in a similar way they port-parent to a port scheduler.

- Parameters** *name* — Specifies the name of the vport scheduling node and can be up to 32 ASCII characters in length. This does not need to be unique within the system but is unique within the port or a LAG.

## agg-rate-limit

|                    |                                                                                                                                     |
|--------------------|-------------------------------------------------------------------------------------------------------------------------------------|
| <b>Syntax</b>      | <b>agg-rate-limit</b> <i>agg-rate</i><br><b>no agg-rate-limit</b>                                                                   |
| <b>Context</b>     | config>port>ethernet>access>egress>vport                                                                                            |
| <b>Description</b> | This command configures an aggregate rate for the vport. This command is mutually exclusive with the port-scheduler-policy command. |
| <b>Parameters</b>  | <i>agg-rate</i> — Specifies the rate limit for the vport.<br><b>Values</b> <b>max, 1— 10000000</b>                                  |

## host-match

|                    |                                                                                                                                                                                                                                                                                                                                                                                                                                                                                                                                                                                                                                                                                                                                                                                                                                                                                                                                                                                                                                                                                   |
|--------------------|-----------------------------------------------------------------------------------------------------------------------------------------------------------------------------------------------------------------------------------------------------------------------------------------------------------------------------------------------------------------------------------------------------------------------------------------------------------------------------------------------------------------------------------------------------------------------------------------------------------------------------------------------------------------------------------------------------------------------------------------------------------------------------------------------------------------------------------------------------------------------------------------------------------------------------------------------------------------------------------------------------------------------------------------------------------------------------------|
| <b>Syntax</b>      | <b>host-match dest</b> <i>description-string</i> [ <b>create</b> ]<br><b>no host-match dest</b> <i>destination-string</i>                                                                                                                                                                                                                                                                                                                                                                                                                                                                                                                                                                                                                                                                                                                                                                                                                                                                                                                                                         |
| <b>Context</b>     | config>port>ethernet>access>egress>vport                                                                                                                                                                                                                                                                                                                                                                                                                                                                                                                                                                                                                                                                                                                                                                                                                                                                                                                                                                                                                                          |
| <b>Description</b> | <p>This command specifies the destination and organization strings to be used for matching subscriber hosts with this vport.</p> <p>The parent vport of a subscriber host queue, which has the port-parent option enabled, is determined by matching the destination string <b>dest</b> string associated with the subscriber and the organization string org string associated with the subscriber host with the strings defined under a vport on the port associated with the subscriber.</p> <p>If a given subscriber host queue does not have the port-parent option enabled, it will be foster-parented to the vport used by this subscriber and which is based on matching the dest string and org string. If the subscriber could not be matched with a vport on the egress port, the host queue will not be bandwidth controlled and will compete for bandwidth directly based on its own PIR and CIR parameters.</p> <p>By default, a subscriber host queue with the port-parent option enabled is scheduled within the context of the port's port scheduler policy.</p> |
| <b>Parameters</b>  | <i>description-string</i> — The destination character string. Allowed values are any string up to 80 characters long composed of printable, 7-bit ASCII characters. If the string contains special characters (#, \$, spaces, etc.), the entire string must be enclosed within double quotes.                                                                                                                                                                                                                                                                                                                                                                                                                                                                                                                                                                                                                                                                                                                                                                                     |

## port-scheduler-policy

|                    |                                                                                                                           |
|--------------------|---------------------------------------------------------------------------------------------------------------------------|
| <b>Syntax</b>      | <b>port-scheduler-policy</b> <i>port-scheduler-policy-name</i><br><b>no port-scheduler-policy</b>                         |
| <b>Context</b>     | config>port>ethernet>access>egress>vport                                                                                  |
| <b>Description</b> | This command specifies the destination and organization strings to be used for matching subscriber hosts with this vport. |

The parent vport of a subscriber host queue, which has the port-parent option enabled, is determined by matching the destination string dest string associated with the subscriber and the organization string org string associated with the subscriber host with the strings defined under a vport on the port associated with the subscriber.

If a given subscriber host queue does not have the port-parent option enabled, it will be foster-parented to the vport used by this subscriber and which is based on matching the dest string and org string. If the subscriber could not be matched with a vport on the egress port, the host queue will not be bandwidth controlled and will compete for bandwidth directly based on its own PIR and CIR parameters.

By default, a subscriber host queue with the port-parent option enabled is scheduled within the context of the port's port scheduler policy.

The no form of the command removes the port-scheduler-policy-name from the configuration.

**Parameters** *port-scheduler-policy-name* — Specifies an existing port-scheduler-policy configured in the config>qos context.

## autonegotiate

**Syntax** **autonegotiate [limited]**  
**[no] autonegotiate**

**Context** config>port>ethernet

**Description** This command enables speed and duplex autonegotiation on Fast Ethernet ports and enables far-end fault indicator support on gigabit ports.

There are three possible settings for autonegotiation:

- “on” or enabled with full port capabilities advertised
- “off” or disabled where there are no autonegotiation advertisements
- “limited” where a single speed/duplex is advertised.

When autonegotiation is enabled on a port, the link attempts to automatically negotiate the link speed and duplex parameters. If autonegotiation is enabled, the configured duplex and speed parameters are ignored.

When autonegotiation is disabled on a port, the port does not attempt to autonegotiate and will only operate at the **speed** and **duplex** settings configured for the port. Note that disabling autonegotiation on gigabit ports is not allowed as the IEEE 802.3 specification for gigabit Ethernet requires autonegotiation be enabled for far end fault indication.

If the **autonegotiate limited** keyword option is specified the port will autonegotiate but will only advertise a specific speed and duplex. The speed and duplex advertised are the **speed** and **duplex** settings configured for the port. One use for limited mode is for multispeed gigabit ports to force gigabit operation while keeping autonegotiation enabled for compliance with IEEE 801.3.

7710 SR OS requires that autonegotiation be disabled or limited for ports in a Link Aggregation Group to guarantee a specific port speed.

## Ethernet Port Commands

The **no** form of this command disables autonegotiation on this port.

**Default** autonegotiate

**Parameters** **limited** — The Ethernet interface will automatically negotiate link parameters with the far end, but will only advertise the speed and duplex mode specified by the Ethernet **speed** and **duplex** commands.

### dot1q-etype

**Syntax** **dot1q-etype** *0x0600..0xffff*  
**no dot1q-etype**

**Context** config>port>ethernet

**Description** This command specifies the Ethertype expected when the port's encapsulation type is dot1q. Dot1q encapsulation is supported only on Ethernet interfaces.

The **no** form of this command reverts the dot1q-etype value to the default.

**Parameters** *0x0600..0xffff* — Specifies the Ethertype to expect.

**Default** If the encap-type is dot1p, then the default is 0x8100.  
If the encap-type is qinq, then the default is 0x8100.

### duplex

**Syntax** **duplex** {full | half}

**Context** config>port>ethernet

**Description** This command configures the duplex of a Fast Ethernet port when autonegotiation is disabled.

This configuration command allows for the configuration of the duplex mode of a Fast Ethernet port. If the port is configured to autonegotiate this parameter is ignored.

**Default** full

**Parameters** **full** — Sets the link to full duplex mode.

**half** — Sets the link to half duplex mode.

### efm-oam

**Syntax** **efm-oam**

**Context** config>port>ethernet

**Description** This command configures EFM-OAM attributes.

## accept-remote-loopback

**Syntax** [no] **accept-remote-loopback**

**Context** config>port>ethernet>efm-oam

**Description** This command enables reactions to loopback control OAM PDUs from peers.  
The **no** form of this command disables reactions to loopback control OAM PDUs.

**Default** no accept-remote-loopback

### hold-time

|                    |                                                                                                                                                                                                                                                                                                                                                                                                                                                                                                                                                                                                                                                                                                                                                                                                                                                              |
|--------------------|--------------------------------------------------------------------------------------------------------------------------------------------------------------------------------------------------------------------------------------------------------------------------------------------------------------------------------------------------------------------------------------------------------------------------------------------------------------------------------------------------------------------------------------------------------------------------------------------------------------------------------------------------------------------------------------------------------------------------------------------------------------------------------------------------------------------------------------------------------------|
| <b>Syntax</b>      | <b>hold-time</b> <i>time-value</i><br><b>no hold-time</b>                                                                                                                                                                                                                                                                                                                                                                                                                                                                                                                                                                                                                                                                                                                                                                                                    |
| <b>Context</b>     | config>port>ethernet>efm-oam                                                                                                                                                                                                                                                                                                                                                                                                                                                                                                                                                                                                                                                                                                                                                                                                                                 |
| <b>Description</b> | This command configures efm-oam operational transition dampening timers which reduce the number of efm-oam state transitions reported to upper layers.                                                                                                                                                                                                                                                                                                                                                                                                                                                                                                                                                                                                                                                                                                       |
| <b>Default</b>     | 0                                                                                                                                                                                                                                                                                                                                                                                                                                                                                                                                                                                                                                                                                                                                                                                                                                                            |
| <b>Parameters</b>  | <i>time-value</i> — Indicates the number of seconds that the efm-oam protocol will wait before going back to the operational state after leaving the operational state. Note that the hold-time does not apply if efm-oam moved from operational to link-fault.<br><br>A hold-time value of zero indicates that there should be no delay in transitioning to the operational state. A non-zero value will cause the efm-oam protocol to attempt to negotiate with a peer if possible, but it will remain in the send-local-remote-ok state until the hold time has expired if negotiation is successful.<br><br>If efm-oam is administratively shutdown while it was in the operational state and then re-enabled when a non-zero hold time is configured, efm-oam will attempt transition to the operational state immediately.<br><br><b>Values</b> 0 — 50 |

### mode

|                    |                                                                                                                                                                                                                                                                                                                                                       |
|--------------------|-------------------------------------------------------------------------------------------------------------------------------------------------------------------------------------------------------------------------------------------------------------------------------------------------------------------------------------------------------|
| <b>Syntax</b>      | <b>mode</b> { <b>active</b>   <b>passive</b> }                                                                                                                                                                                                                                                                                                        |
| <b>Context</b>     | config>port>ethernet>efm-oam                                                                                                                                                                                                                                                                                                                          |
| <b>Description</b> | This command configures the mode of OAM operation for this Ethernet port. These two modes differ in that active mode causes the port to continually send out efm-oam info PDUs while passive mode waits for the peer to initiate the negotiation process. A passive mode port cannot initiate monitoring activities (such as loopback) with the peer. |
| <b>Default</b>     | active                                                                                                                                                                                                                                                                                                                                                |
| <b>Parameters</b>  | <b>active</b> — Provides capability to initiate negotiation and monitoring activities.<br><b>passive</b> — Relies on peer to initiate negotiation and monitoring activities.                                                                                                                                                                          |

### transmit-interval

|                    |                                                                                                |
|--------------------|------------------------------------------------------------------------------------------------|
| <b>Syntax</b>      | [ <b>no</b> ] <b>transmit-interval</b> <i>interval</i> [ <b>multiplier</b> <i>multiplier</i> ] |
| <b>Context</b>     | config>port>ethernet>efm-oam                                                                   |
| <b>Description</b> | This command configures the transmit interval of OAM PDUs.                                     |

**Default** transmit-interval 10 multiplier 5

**Parameters** *interval* — Specifies the transmit interval.

**Values** 1 — 600 (in 100 milliseconds)

**multiplier** *multiplier* — Specifies the multiplier for transmit-interval to set local link down timer.

**Values** 2 — 5

## tunneling

**Syntax** [no] tunneling

**Context** config>port>ethernet>efm-oam

**Description** This command enables EFM OAM PDU tunneling. Enabling tunneling will allow a port mode Epipe SAP to pass OAM frames through the pipe to the far end.

The **no** form of the command disables tunneling.

**Default** no tunneling

## egress-rate

**Syntax** egress-rate *sub-rate*  
no egress-rate

**Context** config>port>ethernet

**Description** This command configures the rate of traffic leaving the network.

The **no** form of this command returns the value to the default.

**Default** no egress-rate

**Parameters** *sub-rate* — The egress rate in Kbps.

**Values** 1 — 10000000

## encap-type

**Syntax** encap-type {dot1q | null | qinq}  
no encap-type

**Context** config>port>ethernet

**Description** This command configures the encapsulation method used to distinguish customer traffic on an Ethernet access port, or different VLANs on a network port.

The **no** form of this command restores the default.

## Ethernet Port Commands

**Default** null

**Parameters** **dot1q** — Ingress frames carry 802.1Q tags where each tag signifies a different service.  
**null** — Ingress frames will not use any tags to delineate a service. As a result, only one service can be configured on a port with a null encapsulation type.  
**qinq** — Specifies QinQ encapsulation.

## hold-time

**Syntax** **hold-time** {[**up** *hold-time up*] [**down** *hold-time down*] [**seconds** | **centiseconds**]}  
**no hold-time**

**Context** config>port>ethernet

**Description** This command configures port link dampening timers which reduce the number of link transitions reported to upper layer protocols. The **hold-time** value is used to dampen interface transitions.  
When an interface transitions from an up state to a down state, it is immediately advertised to the rest of the system if the hold-time down interval is zero, but if the hold-time down interval is greater than zero, interface down transitions are not advertised to upper layers until the hold-time down interval has expired. Likewise, an interface is immediately advertised as up to the rest of the system if the hold-time up interval is zero, but if the hold-time up interval is greater than zero, up transitions are not advertised until the hold-time up interval has expired.

The **no** form of this command reverts to the default values.

**Default** **down 0** seconds — No port link down dampening is enabled; link down transitions are immediately reported to upper layer protocols.  
**up 0** seconds — No port link up dampening is enabled; link up transitions are immediately reported to upper layer protocols.

**Parameters** **up** *hold-time up* — — The delay, in seconds or centiseconds, to notify the upper layers after an interface transitions from a down state to an up state.  
**Values** 0 — 900 seconds  
0, 10 — 90000 centiseconds in 5 centisecond increments  
**down** *hold-time down* — The delay, in seconds or centiseconds, to notify the upper layers after an interface transitions from an up state to a down state.  
**Values** 0 — 900 seconds  
0, 10 — 90000 centiseconds in 5 centisecond increments  
**seconds** | **centiseconds** — Specify the units of your hold time in **seconds** or **centiseconds**.

## hsmda-scheduler-overrides

**Syntax** [**no**] **hsmda-scheduler-overrides**

**Context** config>port>ethernet

**Description** This command enables the context to configure ingress and egress HSMDA scheduler override parameters. Executing `hsmdda-scheduler-override` places the current CLI context into the egress scheduler override node either at the ingress MDA or egress port level.

Default values are:

| Values | Command description     | Configuration               |
|--------|-------------------------|-----------------------------|
|        | <b>max-rate</b>         | no description              |
|        | <b>group</b>            | no max-rate                 |
|        |                         | group 1 rate max            |
|        |                         | group 2 rate max            |
|        | <b>scheduling-class</b> | scheduling-class 1 rate max |
|        |                         | scheduling-class 2 rate max |
|        |                         | scheduling-class 3 rate max |
|        |                         | scheduling-class 4 rate max |
|        |                         | scheduling-class 5 rate max |
|        |                         | scheduling-class 6 rate max |
|        |                         | scheduling-class 7 rate max |
|        |                         | scheduling-class 8 rate max |

The **no** form of the command removes the overridden parameters from the HSMDA egress port or ingress MDA scheduler. Once existing overrides are removed, the scheduler reverts all scheduling parameters back to the parameters defined on the `hsmdda-scheduler-policy` associated with the egress port or ingress MDA.

## group

**Syntax** `group group-id rate rate`  
**no group group-id**

**Context** `config>port>ethernet>hsmdda`

**Description** This command changes the maximum rate allowed for a weighted scheduling group on the local HSMDA scheduler. Scheduling classes within the group are managed with an aggregate rate limit when either an explicit group rate is defined on the HSMDA scheduling policy or a local override is defined based on the group override command.

The **no** form of the command removes the local overrides for the weighted scheduling group. Once removed, the defined behavior within the HSMDA scheduling policy for the weighted scheduling group is used.

**Parameters** *group-id* — Identifies the two weighted scheduling groups to be overridden.

**Values** 1, 2

*rate* — The *megabits-per-second* parameter specifies a local limit on the total bandwidth for the weighted scheduling group and overrides any rate defined in the HSMDA scheduler policy for the weighted scheduling group. The parameter is specified in Megabits per second in a base 10 context. A value of 1 equals a rate of 1000000 bits per second.

The **max** keyword removes any existing rate limit imposed by the HSMDA scheduler policy for the weighted scheduling group allowing it to use as much total bandwidth as possible.

## Ethernet Port Commands

**Values** 1 — 40000, max (Mbps)

### max-rate

**Syntax** **max-rate** *rate*  
**no max-rate**

**Context** config>port>ethernet>hsmdda

**Description** This command overrides the **max-rate** parameters configured in the hsmdda-scheduler-policy associated with the egress port or ingress MDA. When a **max-rate** is defined at the override level, the HSMDA scheduler policy's **max-rate** parameter is ignored.

The **hsmdda-scheduler-override max-rate** command supports a **max** parameter that allows the override command to restore the default of not having a rate limit on the port scheduler. This is helpful when the HSMDA scheduler policy has an explicit maximum rate defined and it is desirable to remove this limit at the port instance.

The **no** form of the command removes the maximum rate override from the egress port or the ingress MDA scheduler context. Once removed, the max-rate parameter from the HSMDA scheduler policy associated with the port or MDA will be used by the local scheduler context.

**Parameters** *rate* — The **rate** parameter is mutually exclusive to specifying the **max** keyword. When executing the max-rate override command either the keyword **max** or a rate in megabits-per-second must be specified.

**Values** 1 — 40000000, max (Mbps)

**max** — The **max** keyword is mutually exclusive to specifying a **rate** in megabits-per-second. When executing the **max-rate** override command either the keyword **max** or a rate in megabits-per-second must be specified. The max keyword removes an existing rate limit from the HSMDA scheduler context.

### scheduling-class

**Syntax** **scheduling-class** *class rate rate*  
**scheduling-class** *class weight weight-in-group*  
**no scheduling-class** *class*

**Context** config>port>ethernet>hsmdda

**Description** This command overrides the maximum rate allowed for a scheduling class or the weight of the class within a weighted scheduling group. The scheduling-class override cannot be used to change scheduling class weighted group membership; weighted group membership may only be defined within the HSMDA scheduling policy.

Scheduling classes correspond directly to the queue-IDs used by every queue on an HSMDA. All queues with an ID of 1 associated with the scheduler are members of scheduling class 1 on the scheduler. Queues with an ID of 2 are members of scheduling class 2. This is true through scheduling class 8.

When the scheduling class is not a member of a weighted group, the scheduling-class command may be used to modify the maximum rate allowed for the scheduling class. This is done using the rate parameter followed

by either the `max` keyword or an actual rate defined as megabits-per-second. Use the `rate max` combination to locally remove a rate limit defined for the class on the scheduling policy. When the `rate megabits-per-second` combination is used, the scheduling class defined as `class-id` is rate limited to the specified rate. Either the keyword `max` or a value for megabits-per-second must follow the `rate` keyword.

The `rate` keyword is mutually exclusive with the `weight` keyword. The `weight` keyword may only be specified when `class-id` is a member of a weighted scheduling group. When the `weight` keyword is specified, a `weight` value specified as `weight` must follow. The new `weight` locally overrides the `weight` defined for the scheduling class in the HSMDA scheduling policy.

When the `scheduling-class` command is executed, either the `rate` or `weight` keyword must follow.

When a scheduling class has a local rate override, the HSMDA policy associated with the override cannot move the scheduling class into a weighted scheduling group. Similarly, when a scheduling class has a local `weight` override, the HSMDA policy associated with the override cannot define a rate (neither `max` nor a megabit-per-second value) for the scheduling class. The local overrides of the scheduling class must be removed before these changes may be made.

The `no` form of the command removes the local overrides for the scheduling class. Once removed, the defined behavior for the scheduling class within the HSMDA scheduling policy will be used.

## Parameters

*class* — Identifies the scheduling class to be being overridden.

**Values** 1 — 8

*rate* — Overrides the HSMDA scheduler policies maximum rate for the scheduling class and requires either the `max` keyword or a rate defined in megabits-per-second. In order for the `rate` keyword to be specified, the scheduling class cannot be a member of a weighted scheduling group as defined on the HSMDA scheduling policy. The `rate` keyword is mutually exclusive with the `weight` keyword. Also, either the `rate` or `weight` keyword must be specified.

The `max` keyword removes any existing rate limit imposed by the HSMDA scheduler policy for the scheduling class allowing it to use as much total bandwidth as possible.

**Values** 1 — 40000000, max (Mbps)

*weight weight-in-group* — Overrides the weighted scheduler group weight for the scheduling class as defined in the HSMDA scheduler policy. In order for the `weight` keyword to be specified, the scheduling class must be a member of a weighted scheduling group as defined on the HSMDA scheduling policy. A value represented by `group-weight` must follow the `weight` keyword. The new `weight` will be used to determine the bandwidth distribution for member scheduling classes within the group of which the scheduling class is a member.

**Values** 1 — 100

## ingress-rate

|                    |                                                                                                                                                                                                                                                                                                                          |
|--------------------|--------------------------------------------------------------------------------------------------------------------------------------------------------------------------------------------------------------------------------------------------------------------------------------------------------------------------|
| <b>Syntax</b>      | <b>ingress-rate</b> <i>sub-rate</i><br><b>no ingress-rate</b>                                                                                                                                                                                                                                                            |
| <b>Context</b>     | config>port>ethernet                                                                                                                                                                                                                                                                                                     |
| <b>Description</b> | This command configures the maximum amount of ingress bandwidth that this port can receive.<br>The ingress-rate command is only valid for oversubscribed Ethernet MDAs. See <a href="#">Oversubscribed Ethernet MDAs on page 23</a> for details.<br>The <b>no</b> form of this command returns the value to the default. |
| <b>Default</b>     | no ingress-rate                                                                                                                                                                                                                                                                                                          |
| <b>Parameters</b>  | <i>sub-rate</i> — The egress rate in mbps.<br><b>Values</b> 1 — 10000 mbps                                                                                                                                                                                                                                               |

## lACP-tunnel

|                    |                                                                                                                                                                                                                                                                                                                       |
|--------------------|-----------------------------------------------------------------------------------------------------------------------------------------------------------------------------------------------------------------------------------------------------------------------------------------------------------------------|
| <b>Syntax</b>      | <b>[no] lACP-tunnel</b>                                                                                                                                                                                                                                                                                               |
| <b>Context</b>     | config>port>ethernet                                                                                                                                                                                                                                                                                                  |
| <b>Description</b> | This command enables LACP packet tunneling for the Ethernet port. When tunneling is enabled, the port will not process any LACP packets but will tunnel them instead. The port cannot be added as a member to a LAG group.<br>The <b>no</b> form of the command disables LACP packet tunneling for the Ethernet port. |
| <b>Default</b>     | no lACP-tunnel                                                                                                                                                                                                                                                                                                        |

## load-balancing-algorithm

|                    |                                                                                                                                                                                                                                                                                                                                                        |
|--------------------|--------------------------------------------------------------------------------------------------------------------------------------------------------------------------------------------------------------------------------------------------------------------------------------------------------------------------------------------------------|
| <b>Syntax</b>      | <b>load-balancing-algorithm</b> <i>option</i><br><b>no load-balancing-algorithm</b>                                                                                                                                                                                                                                                                    |
| <b>Context</b>     | config>port>ethernet<br>config>port>sonet-sdh>path<br>config>port>tdm>ds1>channel-group<br>config>port>tdm>ds3<br>config>port>tdm>e1>channel-group<br>config>port>tdm>e3                                                                                                                                                                               |
| <b>Description</b> | This command specifies the load balancing algorithm to be used on this port.<br>In the default mode, <b>no load-balancing-algorithm</b> , the port inherits the global settings. The value is not applicable for ports that do not pass any traffic.<br>The configuration of load-balancing-algorithm at logical port level has three possible values: |

- **include-l4** — Enables inherits system-wide settings including Layer 4 source and destination port value in hashing algorithm.
- **exclude-l4** — Layer 4 source and destination port value will not be included in hashing.
- **no load-balancing-algorithm** — Inherits system-wide settings.

The hashing algorithm addresses finer spraying granularity where many hosts are connected to the network. To address more efficient traffic distribution between network links (forming a LAG group), a hashing algorithm extension takes into account Layer 4 information (src/dst L4-protocol port).

The hashing index can be calculated according to the following algorithm:

```

If [(TCP or UDP traffic) & enabled]
 hash (<TCP/UDP ports>, <IP addresses>)
else if (IP traffic)
 hash (<IP addresses>)
else
 hash (<MAC addresses>)
endif

```

This algorithm will be used in all cases where IP information in per-packet hashing is included (see [LAG and ECMP Hashing on page 97](#)). However the Layer 4 information (TCP/UDP ports) will not be used in the following cases:

- Fragmented packets

**Default** no load-balancing-algorithm

**Parameters** *option* — Specifies the load balancing algorithm to be used on this port.

**Values**

- include-l4** — Specifies that the source and destination ports are used in the hashing algorithm.
- exclude-l4** — Specifies that the source and destination ports are not used in the hashing algorithm.

## pbb-etype

**Syntax** **pbb-etype [0x0600..0xffff]**  
**no pbb-etype**

**Context** config>port>ethernet

**Default** 0x88E7

**Description** This command configures the Ethertype used for PBB encapsulation.

**Values** **0x0600..0xffff:** 1536 — 65535 (accepted in decimal or hex)

## qinq-etype

|                    |                                                                                                                                                      |
|--------------------|------------------------------------------------------------------------------------------------------------------------------------------------------|
| <b>Syntax</b>      | <b>qinq-etype</b> <i>0x0600..0xffff</i><br><b>no qinq-etype</b>                                                                                      |
| <b>Context</b>     | config>port>ethernet                                                                                                                                 |
| <b>Description</b> | This command configures the Ethertype used for Q-in-Q encapsulation. The <b>no</b> form of this command reverts the qinq-etype value to the default. |
| <b>Parameters</b>  | <i>0x0600..0xffff</i> — Specifies the qinq-etype to expect.<br><b>Values</b> 1536 — 65535 in decimal or hex formats.                                 |

## report-alarm

|                    |                                                                                                                                                                                                                                                                                               |
|--------------------|-----------------------------------------------------------------------------------------------------------------------------------------------------------------------------------------------------------------------------------------------------------------------------------------------|
| <b>Syntax</b>      | <b>[no] report-alarm [signal-fail] [remote] [local] [no-frame-lock] [lcd]</b>                                                                                                                                                                                                                 |
| <b>Context</b>     | config>port>ethernet                                                                                                                                                                                                                                                                          |
| <b>Description</b> | This command specifies when and if to generate alarms and alarm clear notifications for this port.                                                                                                                                                                                            |
| <b>Parameters</b>  | <b>signal-fail</b> — Reports an Ethernet signal lost alarm.<br><b>remote</b> — Reports remote faults.<br><b>local</b> — Reports local faults.<br><b>no-frame-lock</b> — Reports a 'not locked on the ethernet framing sequence' alarm.<br><b>lcd</b> — Reports a codegroup delineation error. |

## speed

|                    |                                                                                                                                                                                                                                                              |
|--------------------|--------------------------------------------------------------------------------------------------------------------------------------------------------------------------------------------------------------------------------------------------------------|
| <b>Syntax</b>      | <b>speed {10   100   1000}</b>                                                                                                                                                                                                                               |
| <b>Context</b>     | config>port>ethernet                                                                                                                                                                                                                                         |
| <b>Description</b> | This command configures the port speed of a Fast Ethernet port when autonegotiation is disabled. If the port is configured to autonegotiate this parameter is ignored. Speed cannot be configured for ports that are part of a Link Aggregation Group (LAG). |
| <b>Default</b>     | <b>100</b>                                                                                                                                                                                                                                                   |
| <b>Parameters</b>  | <b>10</b> — Sets the link to 10 mbps speed.<br><b>100</b> — Sets the link to 100 mbps speed.<br><b>1000</b> — Sets the link to 1000 mbps speed.                                                                                                              |

## ssm

**Syntax** `ssm`**Context** `config>port>ethernet`**Description** This command enables Ethernet Synchronous Status Message (SSM).

## network-type

**Syntax** `network-type [sonet | sdh]`**Context** `config>port>ethernet>ssm`**Description** This command configures the encoding of synchronous status messages. For example, whether to use an SDH or SONET set of values. Configuring the network-type is only applicable to SyncE ports. It is not configurable on SONET/SDH ports. For the network-type, sdh refers to ITU-T G.781 Option I, while sonet refers to G.781 Option II (equivalent to Telcordia GR-253-CORE). For compatibility with Release 7.0, sdh is the default.**Default** `sdh`**Parameters** `sdh` — Specifies the values used on a G.781 Option 1 compliant network.  
`sonet` — Specifies the values used on a G.781 Option 2 compliant network.

## tx-dus

**Syntax** `[no] tx-dus`**Context** `config>port>ethernet>ssm`  
`config>port>sonet-sdh`**Description** This command forces the QL value transmitted from the SSM channel of the SONET/SDH port or the Synchronous Ethernet port to be set to QL-DUS/QL-DNU. This capability is provided to block the use of the interface from the SR/ESS for timing purposes.**Default** `no tx-dus`

## xgig

**Syntax** `xgig {lan | wan}`**Context** `config>port>ethernet`**Description** This command configures a 10 Gbps interface to be in Local or Wide Area Network (LAN or WAN) mode. When configuring the port to be in WAN mode certain SONET/SDH parameters can be changed to reflect the SONET/SDH requirements for this port.

## Ethernet Port Commands

When the port is configured for LAN mode, all SONET/SDH parameters are pre-determined and not configurable.

**Default**    **lan**

**Parameters**    **lan** — Sets the port to operate in LAN mode  
**wan** — Sets the port to operate in WAN mode.

---

## 802.1x Port Commands

### max-auth-req

|                    |                                                                                                                                                                                                                                                                                                                                                                                   |
|--------------------|-----------------------------------------------------------------------------------------------------------------------------------------------------------------------------------------------------------------------------------------------------------------------------------------------------------------------------------------------------------------------------------|
| <b>Syntax</b>      | <b>max-auth-req</b> <i>max-auth-request</i>                                                                                                                                                                                                                                                                                                                                       |
| <b>Context</b>     | config>port>ethernet>dot1x                                                                                                                                                                                                                                                                                                                                                        |
| <b>Description</b> | This command configures the maximum number of times that the 7710 SR will send an access request RADIUS message to the RADIUS server. If a reply is not received from the RADIUS server after the specified <i>number</i> attempts, the 802.1x authentication procedure is considered to have failed.<br><br>The <b>no</b> form of this command returns the value to the default. |
| <b>Default</b>     | 2                                                                                                                                                                                                                                                                                                                                                                                 |
| <b>Parameters</b>  | <i>max-auth-request</i> — The maximum number of RADIUS retries.<br><br><b>Values</b> 1 — 10                                                                                                                                                                                                                                                                                       |

### port-control

|                    |                                                                                                                                                                                                                                                                                                                                                                                                                                                                                                                                                                                                                                                                                                                                                                                                                                                                                                                                                         |
|--------------------|---------------------------------------------------------------------------------------------------------------------------------------------------------------------------------------------------------------------------------------------------------------------------------------------------------------------------------------------------------------------------------------------------------------------------------------------------------------------------------------------------------------------------------------------------------------------------------------------------------------------------------------------------------------------------------------------------------------------------------------------------------------------------------------------------------------------------------------------------------------------------------------------------------------------------------------------------------|
| <b>Syntax</b>      | <b>port-control</b> [auto   force-auth   force-unauth]                                                                                                                                                                                                                                                                                                                                                                                                                                                                                                                                                                                                                                                                                                                                                                                                                                                                                                  |
| <b>Context</b>     | config>port>ethernet>dot1x                                                                                                                                                                                                                                                                                                                                                                                                                                                                                                                                                                                                                                                                                                                                                                                                                                                                                                                              |
| <b>Description</b> | This command configures the 802.1x authentication mode.<br><br>The <b>no</b> form of this command returns the value to the default.                                                                                                                                                                                                                                                                                                                                                                                                                                                                                                                                                                                                                                                                                                                                                                                                                     |
| <b>Default</b>     | force-auth                                                                                                                                                                                                                                                                                                                                                                                                                                                                                                                                                                                                                                                                                                                                                                                                                                                                                                                                              |
| <b>Parameters</b>  | <b>force-auth</b> — Disables 802.1x authentication and causes the port to transition to the authorized state without requiring any authentication exchange. The port transmits and receives normal traffic without requiring 802.1x-based host authentication.<br><br><b>force-unauth</b> — Causes the port to remain in the unauthorized state, ignoring all attempts by the hosts to authenticate. The switch cannot provide authentication services to the host through the interface.<br><br><b>auto</b> — Enables 802.1x authentication. The port starts in the unauthorized state, allowing only EAPOL frames to be sent and received through the port. Both the 7710 SR and the host can initiate an authentication procedure. The port will remain in un-authorized state (no traffic except EAPOL frames is allowed) until the first client is authenticated successfully. After this, traffic is allowed on the port for all connected hosts. |

## quiet-period

|                    |                                                                                                                                                                                                          |
|--------------------|----------------------------------------------------------------------------------------------------------------------------------------------------------------------------------------------------------|
| <b>Syntax</b>      | <b>quiet-period</b> <i>seconds</i><br><b>no quiet-period</b>                                                                                                                                             |
| <b>Context</b>     | config>port>ethernet>dot1x                                                                                                                                                                               |
| <b>Description</b> | This command configures the period between two authentication sessions during which no EAPOL frames are sent by the 7710 SR.<br><br>The <b>no</b> form of this command returns the value to the default. |
| <b>Default</b>     | 30                                                                                                                                                                                                       |
| <b>Parameters</b>  | <i>seconds</i> — Specifies the quiet period in seconds.<br><br><b>Values</b> 1 — 3600                                                                                                                    |

## radius-plcy

|                    |                                                                                                                                                                                                                                                                                                                                                                                                                       |
|--------------------|-----------------------------------------------------------------------------------------------------------------------------------------------------------------------------------------------------------------------------------------------------------------------------------------------------------------------------------------------------------------------------------------------------------------------|
| <b>Syntax</b>      | <b>radius-plcy</b> <i>name</i><br><b>no radius-plcy</b>                                                                                                                                                                                                                                                                                                                                                               |
| <b>Context</b>     | config>port>ethernet>dot1x                                                                                                                                                                                                                                                                                                                                                                                            |
| <b>Description</b> | This command configures the RADIUS policy to be used for 802.1x authentication. An 802.1x RADIUS policy must be configured (under config>security>dot1x) before it can be associated to a port. If the RADIUS policy-id does not exist, an error is returned. Only one 802.1x RADIUS policy can be associated with a port at a time.<br><br>The <b>no</b> form of this command removes the RADIUS policy association. |
| <b>Default</b>     | no radius-plcy                                                                                                                                                                                                                                                                                                                                                                                                        |
| <b>Parameters</b>  | <i>name</i> — Specifies an existing 802.1x RADIUS policy name.                                                                                                                                                                                                                                                                                                                                                        |

## re-auth-period

|                    |                                                                                                                                                                                                                         |
|--------------------|-------------------------------------------------------------------------------------------------------------------------------------------------------------------------------------------------------------------------|
| <b>Syntax</b>      | <b>re-auth-period</b> <i>seconds</i><br><b>no re-auth-period</b>                                                                                                                                                        |
| <b>Context</b>     | config>port>ethernet>dot1x                                                                                                                                                                                              |
| <b>Description</b> | This command configures the period after which re-authentication is performed. This value is only relevant if re-authentication is enabled.<br><br>The <b>no</b> form of this command returns the value to the default. |
| <b>Default</b>     | 3600                                                                                                                                                                                                                    |
| <b>Parameters</b>  | <i>seconds</i> — The re-authentication delay period in seconds.                                                                                                                                                         |

**Values** 1 — 9000

## re-authentication

**Syntax** **[no] re-authentication**

**Context** config>port>ethernet>dot1x

**Description** This command enables / disables periodic 802.1x re-authentication.

When re-authentication is enabled, the 7710 SR will re-authenticate clients on the port every re-auth-period seconds.

The **no** form of the command returns the value to the default.

**Default** re-authentication

## server-timeout

**Syntax** **server-timeout** *seconds*  
**no server-timeout**

**Context** config>port>ethernet>dot1x

**Description** This command configures the period during which the 7710 SR waits for the RADIUS server to respond to its access request message. When this timer expires, the 7710 SR will re-send the access request message, up to the specified number times.

The **no** form of this command returns the value to the default.

**Default** 30

**Parameters** *seconds* — The server timeout period in seconds.

**Values** 1 — 300

## supplicant-timeout

**Syntax** **supplicant-timeout** *seconds*  
**no supplicant-timeout**

**Context** config>port>ethernet>dot1x

**Description** This command configures the period during which the 7710 SR waits for a client to respond to its EAPOL messages. When the supplicant-timeout expires, the 802.1x authentication session is considered to have failed.

The **no** form of this command returns the value to the default.

**Default** 30

## 802.1x Port Commands

**Parameters**    *seconds* — The server timeout period in seconds.

**Values**        1 — 300

### transmit-period

**Syntax**        **transmit-period** *seconds*  
**no transmit-period**

**Context**        config>port>ethernet>dot1x

**Description**    This command configures the period after which the 7710 SR sends a new EAPOL request message. The **no** form of this command returns the value to the default.

**Default**        30

**Parameters**    *seconds* — The server transmit period in seconds.

**Values**        1 — 300

### down-when-looped

**Syntax**        **down-when-looped**

**Context**        config>port>ethernet

**Description**    This command configures Ethernet loop detection attributes.

### dot1x

**Syntax**        **dot1x**

**Context**        config>port>ethernet

**Description**    This command enables access to the context to configure port-specific 802.1x authentication attributes. This context can only be used when configuring a Fast Ethernet, gigabit or 10Gig EthernetFast Ethernet, gigabit or 10Gig EthernetFast Ethernet or gigabit Ethernet LAN ports on an appropriate MDA.

### keep-alive

**Syntax**        **keep-alive** *timer*  
**no keep-alive**

**Context**        config>port>ethernet>dwl

**Description**    This command configures the time interval between keep-alive PDUs.

**Default** no keep-alive

**Parameters** *timer* — Specifies the time interval, in seconds, between keep-alive PDUs.

**Values** 1 — 120

## retry-timeout

**Syntax** **retry-timeout timer**  
**no retry-timeout**

**Context** config>port>ethernet>dwl

**Description** This command configures the minimum wait time before re-enabling port after loop detection.

**Default** no retry-timeout

**Parameters** *timer* — Specifies the minimum wait time before re-enabling port after loop detection.

**Values** 0, 10 — 160

## use-broadcast-address

**Syntax** **[no] use-broadcast-address**

**Context** config>port>ethernet>dwl

**Description** This command specifies whether or not the down when looped destination MAC address is the broadcast address, or the local port MAC address, as specified in the port's MAC address.

---

## LLDP Port Commands

### lldp

|                    |                                                                                                                      |
|--------------------|----------------------------------------------------------------------------------------------------------------------|
| <b>Syntax</b>      | <b>lldp</b>                                                                                                          |
| <b>Context</b>     | config>port>ethernet                                                                                                 |
| <b>Description</b> | This command enables the context to configure Link Layer Discovery Protocol (LLDP) parameters on the specified port. |

### dest-mac

|                    |                                                                                                                                                                                                                            |
|--------------------|----------------------------------------------------------------------------------------------------------------------------------------------------------------------------------------------------------------------------|
| <b>Syntax</b>      | <b>dest-mac</b> { <i>bridge-mac</i> }                                                                                                                                                                                      |
| <b>Context</b>     | config>port>ethernet>lldp                                                                                                                                                                                                  |
| <b>Description</b> | This command configures destination MAC address parameters.                                                                                                                                                                |
| <b>Parameters</b>  | <b>bridge-mac</b> — Specifies destination bridge MAC type to use by LLDP.                                                                                                                                                  |
| <b>Values</b>      | <b>nearest-bridge</b> — Specifies to use the nearest bridge.<br><b>nearest-non-tpmr</b> — Specifies to use the nearest non-Two-Port MAC Relay (TPMR) .<br><b>nearest-customer</b> — Specifies to use the nearest customer. |

### admin-status

|                    |                                                                                                                                                                                                                                                                                                                                                                                                                                                                                                                                                                                                                                                                          |
|--------------------|--------------------------------------------------------------------------------------------------------------------------------------------------------------------------------------------------------------------------------------------------------------------------------------------------------------------------------------------------------------------------------------------------------------------------------------------------------------------------------------------------------------------------------------------------------------------------------------------------------------------------------------------------------------------------|
| <b>Syntax</b>      | <b>admin-status</b> { <i>rx</i>   <i>tx</i>   <i>tx-rx</i>   <i>disabled</i> }                                                                                                                                                                                                                                                                                                                                                                                                                                                                                                                                                                                           |
| <b>Context</b>     | config>port>ethernet>lldp>dstmac                                                                                                                                                                                                                                                                                                                                                                                                                                                                                                                                                                                                                                         |
| <b>Description</b> | This command configures LLDP transmission/reception frame handling.                                                                                                                                                                                                                                                                                                                                                                                                                                                                                                                                                                                                      |
| <b>Parameters</b>  | <b>rx</b> — Specifies the LLDP agent will receive, but will not transmit LLDP frames on this port.<br><b>tx</b> — Specifies that the LLDP agent will transmit LLDP frames on this port and will not store any information about the remote systems connected.<br><b>tx-rx</b> — Specifies that the LLDP agent transmitw and receives LLDP frames on this port.<br><b>disabled</b> — Specifies that the LLDP agent does not transmit or receive LLDP frames on this port. If there is remote systems information which is received on this port and stored in other tables, before the port's admin status becomes disabled, then the information will naturally age out. |

## notification

- Syntax** [no] notification
- Context** config>port>ethernet>lldp>dstmac
- Description** This command enables LLDP notifications.  
The **no** form of the command disables LLDP notifications.

## tx-mgmt-address

- Syntax** tx-mgmt-address [system]  
no tx-mgmt-address
- Context** config>port>ethernet>lldp>dstmac
- Description** This command specifies which management address to transmit.  
The no form of the command resets value to the default.
- Default** no tx-mgmt-address
- Parameters** **system** — Specifies to use the system IP address. Note that the system address will only be transmitted once it has been configured if this parameter is specified.

## tx-tlvs

- Syntax** tx-tlvs [port-desc] [sys-name] [sys-desc] [sys-cap]  
no tx-tlvs
- Context** config>port>ethernet>lldp>dstmac
- Description** This command specifies which LLDP TLVs to transmit. The TX TLVS, defined as a bitmap, includes the basic set of LLDP TLVs whose transmission is allowed on the local LLDP agent by the network management. Each bit in the bitmap corresponds to a TLV type associated with a specific optional TLV. Organizationally-specific TLVs are excluded from the this bitmap.  
  
There is no bit reserved for the management address TLV type since transmission of management address TLVs are controlled by another object.  
  
The **no** form of the command resets the value to the default.  
no tx-tlvs
- Parameters** **port-desc** — Indicates that the LLDP agent should transmit port description TLVs.  
**sys-name** — Indicates that the LLDP agent should transmit system name TLVs.  
**sys-desc** — Indicates that the LLDP agent should transmit system description TLVs.  
**sys-cap** — Indicates that the LLDP agent should transmit system capabilities TLVs.

---

## Network Port Commands

### network

**Syntax**    **network**

**Context**    config>port>ethernet  
              config>port>sonet-sdh>path  
              config>port>tdm>ds1  
              config>port>tdm>ds3  
              config>port>tdm>e1  
              config>port>tdm>e3

**Description**    This command enables access to the context to configure network port parameters.

### accounting-policy

**Syntax**    **accounting-policy** *policy-id*  
              **no accounting-policy**

**Context**    config>port>ethernet>access>egr>qgrp  
              config>port>ethernet>access>ing>qgrp  
              config>port>ethernet>network>egr>qgrp  
              config>port>ethernet>network  
              config>port>sonet-sdh>path>network  
              config>port>tdm>ds1>network  
              config>port>tdm>ds3>network  
              config>port>tdm>e1>network  
              config>port>tdm>e3>network

**Description**    This command configures an accounting policy that can apply to an interface.

An accounting policy must be configured before it can be associated to an interface. If the accounting *policy-id* does not exist, an error is returned.

Accounting policies associated with service billing can only be applied to SAPs. Accounting policies associated with network ports can only be associated with interfaces. Only one accounting policy can be associated with an interface at a time.

The **no** form of this command removes the accounting policy association from the network interface, and the accounting policy reverts to the default.

**Default**    No accounting policies are specified by default. You must explicitly specify a policy. If configured, the accounting policy configured as the default is used.

**Parameters** *policy-id* — The accounting *policy-id* of an existing policy. Accounting policies record either service (access) or network information. A network accounting policy can only be associated with the network port configurations. Accounting policies are configured in the `config>log>accounting-policy` context.

**Values** 1 — 99

## collect-stats

**Syntax** `[no] collect-stats`

**Context** `config>port>ethernet>access>egr>qgrp`  
`config>port>ethernet>access>ing>qgrp`  
`config>port>ethernet>network>egr>qgrp`  
`config>port>ethernet>network`  
`config>port>sonet-sdh>path>network`  
`config>port>tdm>ds3>network`  
`config>port>tdm>e1>network`  
`config>port>tdm>e3>network`

**Description** This command enables the collection of accounting and statistical data for the network interface. When applying accounting policies, the data, by default, is collected in the appropriate records and written to the designated billing file.

When the **no collect-stats** command is issued, the statistics are still accumulated by the CFM cards, however, the CPU does not obtain the results and write them to the billing file.

If the **collect-stats** command is issued again (enabled), then the counters written to the billing file will include the traffic collected while the **no collect-stats** command was in effect.

**Default** `no collect-stats`

## queue-policy

**Syntax** `queue-policy name`  
`no queue-policy`

**Context** `config>port>ethernet>network`  
`config>port>sonet-sdh>path>network`  
`config>port>tdm>ds1>network`  
`config>port>tdm>ds3>network`  
`config>port>tdm>e1>network`  
`config>port>tdm>e3>network`

**Description** This command specifies the existing network queue policy which defines queue parameters such as CBS, high priority only burst size, MBS, CIR and PIR rates, as well as forwarding-class to queue mappings. The network-queue policy is defined in the `config>qos>network-queue` context.

**Default** `default`

**Parameters** *name* — Specifies an existing network-queue policy name.

---

## Interface Group Handler Commands

### interface-group-handler

|                    |                                                                                                                                                                                                                                                                                                                                                                                                                                 |
|--------------------|---------------------------------------------------------------------------------------------------------------------------------------------------------------------------------------------------------------------------------------------------------------------------------------------------------------------------------------------------------------------------------------------------------------------------------|
| <b>Syntax</b>      | <b>[no] interface-group-handler</b> <i>group-id</i>                                                                                                                                                                                                                                                                                                                                                                             |
| <b>Context</b>     | config                                                                                                                                                                                                                                                                                                                                                                                                                          |
| <b>Description</b> | <p>This command creates an interface group handler that can be associated with a number of independent IP links. The purpose of the group is to operationally disable all interfaces in a common group if the number of active links drops below the minimum interface threshold.</p> <p>The <b>no</b> form of this command deletes the interface group handler. All members must be removed before the IGH can be deleted.</p> |
| <b>Default</b>     | None                                                                                                                                                                                                                                                                                                                                                                                                                            |
| <b>Parameters</b>  | <i>group-id</i> — Identifies the specific Interface Group Handler.                                                                                                                                                                                                                                                                                                                                                              |
| <b>Values</b>      | 1—100                                                                                                                                                                                                                                                                                                                                                                                                                           |

### member

|                    |                                                                                                                                                                                                                                                                                                                                                                                                                                                                                                                                                                                              |
|--------------------|----------------------------------------------------------------------------------------------------------------------------------------------------------------------------------------------------------------------------------------------------------------------------------------------------------------------------------------------------------------------------------------------------------------------------------------------------------------------------------------------------------------------------------------------------------------------------------------------|
| <b>Syntax</b>      | <b>[no] member</b> <i>portid</i>                                                                                                                                                                                                                                                                                                                                                                                                                                                                                                                                                             |
| <b>Context</b>     | config>interface-group-handler                                                                                                                                                                                                                                                                                                                                                                                                                                                                                                                                                               |
| <b>Description</b> | <p>This command binds the specified port with the associate Interface Group Handler. Up to eight <b>member</b> commands can be issued to add multiple ports to the associated IGH. The <b>member</b> must be a port or channel on a SONET or POS MDA. It must be a physical port or channel in network mode, and not bound to any router interfaces. A port or channel cannot be a member of more than one IGH at the same time. MLPPP bundles and their members cannot be IGH members.</p> <p>The <b>no</b> form of this command removes the specified port ID from the associated IGH.</p> |
| <b>Default</b>     | None                                                                                                                                                                                                                                                                                                                                                                                                                                                                                                                                                                                         |
| <b>Parameters</b>  | <i>portid</i> — Identifies the port to be associated with the interface group handler.                                                                                                                                                                                                                                                                                                                                                                                                                                                                                                       |

### threshold

|                    |                                                                                                                                                                                                                |
|--------------------|----------------------------------------------------------------------------------------------------------------------------------------------------------------------------------------------------------------|
| <b>Syntax</b>      | <b>threshold</b> <i>min</i><br><b>no threshold</b>                                                                                                                                                             |
| <b>Context</b>     | config>interface-group-handler                                                                                                                                                                                 |
| <b>Description</b> | This command identifies the minimum number of active links that must be present for the interface group handler to be active. A threshold of 1 effectively disables the effect of the interface group handler. |

The **no** form of this command resets the threshold to 1.

**Default**      None

**Parameters**    *min* — Specifies the minimum number of active links that must be present for the interface group handler to be active.

**Values**        1 — 8

---

## Multilink-Bundle Port Commands

### multilink-bundle

|                    |                                                                                       |
|--------------------|---------------------------------------------------------------------------------------|
| <b>Syntax</b>      | <b>[no] multilink-bundle</b>                                                          |
| <b>Context</b>     | config>port                                                                           |
| <b>Description</b> | This command creates the context to configure bundle properties for this bundle port. |
| <b>Default</b>     | None                                                                                  |

### fragment-threshold

|                    |                                                                                                                                                                                                                                                                                                                                                                                                                                                                                                                                                                   |
|--------------------|-------------------------------------------------------------------------------------------------------------------------------------------------------------------------------------------------------------------------------------------------------------------------------------------------------------------------------------------------------------------------------------------------------------------------------------------------------------------------------------------------------------------------------------------------------------------|
| <b>Syntax</b>      | <b>fragment-threshold</b> <i>fragment-threshold</i><br><b>fragment-threshold unlimited</b><br><b>no fragment-threshold</b>                                                                                                                                                                                                                                                                                                                                                                                                                                        |
| <b>Context</b>     | config>port>multilink-bundle                                                                                                                                                                                                                                                                                                                                                                                                                                                                                                                                      |
| <b>Description</b> | This command sets the maximum length in bytes of a fragment transmitted across a multilink bundle. The <b>no</b> form of this command resets the fragment threshold back to the default value.                                                                                                                                                                                                                                                                                                                                                                    |
| <b>Default</b>     | 128                                                                                                                                                                                                                                                                                                                                                                                                                                                                                                                                                               |
| <b>Parameters</b>  | <i>fragment-threshold</i> — Specify the maximum fragment length, in bytes, to be transmitted across a multilink bundle. Note that the value range is dependent on the MDA type. For example: channelized MDAs, such as the m1-choc12-sfp, m4-choc3-sfp, m12-chds3, and m4-chds3, support values of 128, 256, 512; ASAP channelized MDAs support any value in the valid range.<br><b>Values</b> 128 — 512 bytes inclusive for MLPPP and MLFR bundles<br>128 bytes for IMA bundles<br><b>unlimited</b> — This keyword disables fragmentation (MLPPP and MLFR only). |

### interleave-fragments

|                    |                                                                                                                                                                                            |
|--------------------|--------------------------------------------------------------------------------------------------------------------------------------------------------------------------------------------|
| <b>Syntax</b>      | <b>[no] interleave-fragments</b>                                                                                                                                                           |
| <b>Context</b>     | config>port>multilink-bundle                                                                                                                                                               |
| <b>Description</b> | This command enables Link Fragmentation and Interleaving on the multilink bundle. The <b>no</b> form of this command disables Link Fragmentation and Interleaving on the multilink bundle. |

## member

**Syntax** `[no] member port-id`

**Context** `config>port>multilink-bundle`

**Description** This command binds a channel group to a multilink bundle. For IMA and MLFR groups, this command binds a channel group filling up the entire DS-1 or E-1. For MLPPP groups, fractional (n x ds0) DS1 or E1 links are also allowed. However, fractional DS1 links and fractional E1 links may not be combined in the same multilink bundle. If a channel with a different number of timeslots than the primary-link member is added to the bundle, a warning will be provided.

The **no** form of this command removes the specified channel group from the multilink bundle.

**Default** None

**Parameters** *port-id* — Specifies the physical port ID.

**Syntax:** *slot/mda/port.channel*

## minimum-links

**Syntax** `minimum-links minimum-links`  
`no minimum-links`

**Context** `config>port>multilink-bundle`

**Description** This command sets the minimum number of links that must be active for the bundle to be active. If the number of active links drops below the configured minimum then the multilink bundle will transition to an operationally down state.

The **no** form of this command removes the minimum link limit.

**Default** 1

**Parameters** *minimum-link* — Specify the minimum link limit, expressed as an integer.

**Values** 1 — 8

## mlfr

**Syntax** `mlfr`

**Context** `config>port>multilink-bundle`

**Description** This command enables the context to configure a Multi-link Frame Relay (MLFR) bundle.

## Multilink-Bundle Port Commands

### identifier

|                    |                                                                                                                       |
|--------------------|-----------------------------------------------------------------------------------------------------------------------|
| <b>Syntax</b>      | <b>[no] identifier</b> <i>bundle-id-string</i>                                                                        |
| <b>Context</b>     | config>port>multilink-bundle>mlfr                                                                                     |
| <b>Description</b> | This command defines the identifier for the MLFR bundle. The <b>no</b> form of this command resets the value to null. |
| <b>Default</b>     | null                                                                                                                  |
| <b>Parameters</b>  | <i>bundle-id string</i> — Specifies the bundle ID string.                                                             |

### identifier

|                    |                                                                                                                                                      |
|--------------------|------------------------------------------------------------------------------------------------------------------------------------------------------|
| <b>Syntax</b>      | <b>[no] identifier</b> <i>frf16-link-id-string</i>                                                                                                   |
| <b>Context</b>     | config>port>tdm>channel-group>frame-relay                                                                                                            |
| <b>Description</b> | This command defines the identifier for a frame-relay link when used in an MLFR bundle. The <b>no</b> form of this command resets the value to null. |
| <b>Default</b>     | null                                                                                                                                                 |
| <b>Parameters</b>  | <i>frf16-link-id-string</i> — Specifies the bundle ID string.                                                                                        |

### ingress

|                    |                                                                                            |
|--------------------|--------------------------------------------------------------------------------------------|
| <b>Syntax</b>      | <b>ingress</b>                                                                             |
| <b>Context</b>     | config>port>multilink-bundle>mlfr                                                          |
| <b>Description</b> | This command enables the context to configure the ingress QoS profile for the MLFR bundle. |

### egress

|                    |                                                                                                                                                                                                                                                                                      |
|--------------------|--------------------------------------------------------------------------------------------------------------------------------------------------------------------------------------------------------------------------------------------------------------------------------------|
| <b>Syntax</b>      | <b>egress</b>                                                                                                                                                                                                                                                                        |
| <b>Context</b>     | config>port>multilink-bundle>mlfr<br>config>port>tdm>ds1>channel-group>frame-relay>frf-12<br>config>port>tdm>e1>channel-group>frame-relay>frf-12<br>config>port>tdm>ds3>frame-relay>frf-12<br>config>port>tdm>e3>frame-relay>frf-12<br>config>port>sonet-sdh>path>frame-relay>frf-12 |
| <b>Description</b> | This command enables the context to configure the egress QoS profile for an MLFR bundle or a Frame Relay port with FRF.12 UNI/NNI fragmentation enabled.                                                                                                                             |

## qos-profile

**Syntax** **qos-profile** *profile-id*  
**no qos-profile**

**Context** config>port>multilink-bundle>mlfr>ingress  
 config>port>multilink-bundle>mlfr>egress  
 config>port>tdm>channel-group>frame-relay>egress  
 config>port>sonet-sdh>path>frame-relay>egress

**Description** This command specifies the ingress or egress QoS profile to be used for the configuration of the ingress or egress QoS parameters of an MLFR bundle or a Frame Relay port with FRF.12 UNI/NNI fragmentation enabled. Note that qos-profile on ingress is only applicable to MLFR.

The no form of the command removes the parameters from the configuration.

**Parameters** *profile-id* — Specifies the profile number. The value can only be modified if the MLFR bundle or FR port is shut down.

**Values** 1-128

## frame-relay

**Syntax** **frame-relay**

**Context** config>port>multilink-bundle>mlfr

**Description** This command configures the Frame Relay parameters.

## lmi-type

**Syntax** **lmi-type** {ansi | itu | none | rev1}

**Context** config>port>multi-link-bundle>mlfr>frame-relay

**Description** This command configures the LMI type.

**Parameters** **ansi** — Use ANSI T1.617 Annex D.  
**itu** — Use ITU-T Q933 Annex A.  
**none** — Disable Frame Relay LMI on the given bundle.  
**rev1** — Use the Rev 1 version of ANSI T1.617 Annex D.

## Multilink-Bundle Port Commands

### mode

|                    |                                                                                                                                                       |
|--------------------|-------------------------------------------------------------------------------------------------------------------------------------------------------|
| <b>Syntax</b>      | <b>mode</b> { <b>dce</b>   <b>dte</b>   <b>bidir</b> }                                                                                                |
| <b>Context</b>     | config>port>multilink-bundle>mlfr>frame-relay                                                                                                         |
| <b>Description</b> | This command configures the DCE/DTE mode of the Frame Relay interface.                                                                                |
| <b>Parameters</b>  | <b>dce</b> — Enables the DCE mode.<br><b>dte</b> — Enables the DTE mode.<br><b>bidir</b> — Enables the bidirectional mode for LMI types ANSI and ITU. |

### n391dte

|                    |                                                                                                                                                                                     |
|--------------------|-------------------------------------------------------------------------------------------------------------------------------------------------------------------------------------|
| <b>Syntax</b>      | <b>n391dte</b> <i>intervals</i><br><b>no n391dte</b>                                                                                                                                |
| <b>Context</b>     | config>port>multilink-bundle>mlfr>frame-relay                                                                                                                                       |
| <b>Description</b> | This command configures the number of DTE full status polling intervals for the LMI.                                                                                                |
| <b>Parameters</b>  | <i>intervals</i> — The number of exchanges to be done before requesting a full-status report. A value of 1 specifies to receive full-status messages only.<br><b>Values</b> 1 — 255 |

### n392dce

|                    |                                                                                                                                    |
|--------------------|------------------------------------------------------------------------------------------------------------------------------------|
| <b>Syntax</b>      | <b>n392dce</b> <i>threshold</i><br><b>no n392dce</b>                                                                               |
| <b>Context</b>     | config>port>multilink-bundle>mlfr>frame-relay                                                                                      |
| <b>Description</b> | This command configures the DCE error threshold for the LMI.                                                                       |
| <b>Default</b>     | 3                                                                                                                                  |
| <b>Parameters</b>  | <i>threshold</i> — Specify the number of errors that will place the bundle in an operationally down state.<br><b>Values</b> 1 — 10 |

## n392dte

**Syntax**    **n392dte** *threshold*  
**no n392dte**

**Context**    config>port>multilink-bundle>mlfr>frame-relay

**Description**    This command configures the DTE error threshold for the LMI.

**Parameters**    *count* — Specify the number of errors that will place the bundle in an operationally down state.

**Values**        1 — 10

## n393dce

**Syntax**    **n393dce** *count*  
**no n393dce**

**Context**    config>port>multilink-bundle>mlfr>frame-relay

**Description**    This command configures the DCE monitored event count for the LMI.

**Parameters**    *count* — Specify the diagnostic window used to verify link integrity on the DCE interface.

**Values**        1 — 10

## n393dte

**Syntax**    **n393dte** *count*  
**no n393dte**

**Context**    config>port>multilink-bundle>mlfr>frame-relay

**Description**    This command configures the DTE monitored event count for the LMI.

**Parameters**    *count* — Specify the diagnostic window used to verify link integrity on the DTE interface.

**Values**        1 — 10

## t391dte

**Syntax**    **t391dte** *keepalive*  
**no t391dte**

**Context**    config>port>multilink-bundle>mlfr>frame-relay

**Description**    This command configures the DTE keepalive timer value for the LMI.

**Parameters**    *keepalive* — Specify the interval in seconds between status inquiries issued by the DTE.

## Multilink-Bundle Port Commands

**Values** 5 — 30

### t392dce

**Syntax** **t392dce** *keepalive*  
**no t392dce**

**Context** config>port>multilink-bundle>mlfr>frame-relay

**Description** This command configures the DCE keepalive timer value for the LMI.

**Parameters** *keepalive* — Specify the expected interval in seconds between status inquiries issued by the DTE equipment.

**Values** 5 — 30

### hello-timeout

**Syntax** **hello-timeout** *seconds*  
**no hello-timeout**

**Context** config>port>multilink-bundle<mlfr

**Description** This command specifies the value of the MLFR bundle T\_HELLO timer. The timer controls the rate that hello messages are sent. Following a period of T\_HELLO duration, a HELLO message is transmitted onto the bundle link.

Note that T\_HELLO timer is also used during the bundle link add process as an additional delay before resending an ADD\_LINK message to the peer bundle link when the peer bundle link does not answer as expected.

**Default** 10 seconds

**Parameters** *seconds* — [1-180 seconds]

### ack-timeout

**Syntax** **ack-timeout** *seconds*  
**no ack-timeout**

**Context** config>port>multilink-bundle>mlfr

**Description** This command specifies the value of the MLFR bundle T\_ACK timer.

This timer defines the maximum period to wait for a response to any message sent onto the bundle link before attempting to retransmit a message onto the bundle link.

**Default** 4 seconds

**Parameters** *seconds* — [1-10 seconds]

## retry-limit

|                    |                                                                                                                                                                                                                                       |
|--------------------|---------------------------------------------------------------------------------------------------------------------------------------------------------------------------------------------------------------------------------------|
| <b>Syntax</b>      | <b>retry-limit</b> <i>integer</i><br><b>no retry-limit</b>                                                                                                                                                                            |
| <b>Context</b>     | config>port>multilink-bundle>mlfr                                                                                                                                                                                                     |
| <b>Description</b> | This command specifies the value of the MLFR bundle N_RETRY counter.<br>The counter specifies the number of times a retransmission onto a bundle link will be attempted before an error is declared and the appropriate action taken. |
| <b>Default</b>     | 2                                                                                                                                                                                                                                     |
| <b>Parameters</b>  | <i>integer</i> — Specifies the number of retransmission attempts.<br><b>Values</b> 1 — 5                                                                                                                                              |

## frf.12

|                    |                                                                                                                                                                                                              |
|--------------------|--------------------------------------------------------------------------------------------------------------------------------------------------------------------------------------------------------------|
| <b>Syntax</b>      | <b>frf.12</b>                                                                                                                                                                                                |
| <b>Context</b>     | config>port>tdm>ds1>channel-group>frame-relay<br>config>port>tdm>e1>channel-group>frame-relay<br>config>port>tdm>ds3>frame-relay<br>config>port>tdm>e3>frame-relay<br>config>port>sonet-sdh>path>frame-relay |
| <b>Description</b> | This command defines the context to configure the parameters of FRF.12 frame relay fragmentation.                                                                                                            |

## fragment-threshold

|                    |                                                                                                                                                                                                                                                 |
|--------------------|-------------------------------------------------------------------------------------------------------------------------------------------------------------------------------------------------------------------------------------------------|
| <b>Syntax</b>      | <b>fragment-threshold</b> <i>fragment-threshold</i><br><b>no fragment-threshold</b>                                                                                                                                                             |
| <b>Context</b>     | config>port>tdm>ds1>channel-group>frame-relay>frf.12<br>config>port>tdm>e1>channel-group>frame-relay>frf.12<br>config>port>tdm>ds3>frame-relay>frf.12<br>config>port>tdm>e3>frame-relay>frf.12<br>config>port>sonet-sdh>path>frame-relay>frf.12 |
| <b>Description</b> | This command sets the maximum length in bytes of a fragment transmitted across a frame relay port with the FRF.12 UNI/NNI fragmentation enabled.<br>The <b>no</b> form of this command resets the fragment threshold back to the default value. |
| <b>Default</b>     | 128                                                                                                                                                                                                                                             |
| <b>Parameters</b>  | <i>fragment-threshold</i> — Specifies the maximum fragment length, in bytes, to be transmitted across the FRF.12 port.                                                                                                                          |

## Multilink-Bundle Port Commands

**Values** 128-512 bytes

### mlppp

**Syntax** mlppp

**Context** config>port>ml-bundle

**Description** This command enables the context to configure multi-link PPP bundle attributes.

### egress

**Context** config>port>ml-bundle>mlppp

**Description** This command enables the context to configure egress MLPPP QoS profile parameters for the multilink bundle.

**Default** none

### ingress

**Context** config>port>ml-bundle>mlppp

**Description** This command enables the context to configure ingress MLPPP QoS profile parameters for the multilink bundle.

**Default** none

### qos-profile

**Syntax** qos-profile *profile-id*  
no qos-profile

**Context** config>port>ml-bundle>mlppp>egress

**Description** This command specifies the egress QoS profile to be used for the outgoing traffic over this MLPPP bundle. The **no** form of the command removes the parameters from the configuration.

*profile-id* — Specifies the egress QoS profile to be used for the outgoing traffic over this MLPPP bundle. The value can only be modified if the bundle is shutdown.

**Values** 1 — 128

## endpoint-discriminator

|                    |                                                                                                                                                                                                                  |                                                                       |
|--------------------|------------------------------------------------------------------------------------------------------------------------------------------------------------------------------------------------------------------|-----------------------------------------------------------------------|
| <b>Syntax</b>      | <b>endpoint-discriminator class</b> { <b>ip-address</b>   <b>global-mac-address</b>   <b>null</b> } [ <b>discriminator-id</b> <i>discriminator-id</i> ]<br><b>no endpoint-discriminator</b>                      |                                                                       |
| <b>Context</b>     | config>port>ml-bundle>mlppp                                                                                                                                                                                      |                                                                       |
| <b>Description</b> | This command configures the endpoint-discriminator class and ID. The port must be shutdown to modify command parameters.<br><br>The <b>no</b> form of the command removes the parameters from the configuration. |                                                                       |
| <b>Parameters</b>  | <b>class</b> — Specifies the Link Control Protocol endpoint discriminator class field type.                                                                                                                      |                                                                       |
|                    | <b>Values</b>                                                                                                                                                                                                    | ip-address, global-mac-address, null                                  |
|                    | <b>Default</b>                                                                                                                                                                                                   | Bundle type<br>Physical MLPPP bundle<br>MLPPP bundle protection group |
|                    |                                                                                                                                                                                                                  | Default<br>ieee802dot1GlobalMacAddress<br>IP address                  |
|                    | <b>discriminator-id</b> <i>discriminator-id</i> — Specifies the endpoint discriminator identifier value within the specified endpoint-discriminator class. The values below are only for the ip-address class.   |                                                                       |
|                    | <b>Values</b>                                                                                                                                                                                                    | Any valid IP address.                                                 |

## qos-profile

|                    |                                                                                                                                                                                |         |
|--------------------|--------------------------------------------------------------------------------------------------------------------------------------------------------------------------------|---------|
| <b>Syntax</b>      | <b>qos-profile</b> <i>profile-id</i><br><b>no qos-profile</b>                                                                                                                  |         |
| <b>Context</b>     | config>port>ml-bundle>mlppp>ingress                                                                                                                                            |         |
| <b>Description</b> | This command specifies the ingress QoS profile to be used for the incoming traffic over this MLPPP bundle.                                                                     |         |
| <b>Parameters</b>  | <i>profile-id</i> — Specifies the ingress QoS profile to be used for the incoming traffic over this MLPPP bundle.<br>The value can only be modified if the bundle is shutdown. |         |
|                    | <b>Values</b>                                                                                                                                                                  | 1 — 128 |

## magic-number

|                    |                                                                                                                                                                                                                                                                                                                                                                                                                                                                      |  |
|--------------------|----------------------------------------------------------------------------------------------------------------------------------------------------------------------------------------------------------------------------------------------------------------------------------------------------------------------------------------------------------------------------------------------------------------------------------------------------------------------|--|
| <b>Syntax</b>      | <b>[no] magic-number</b>                                                                                                                                                                                                                                                                                                                                                                                                                                             |  |
| <b>Context</b>     | config>port>ml-bundle>mlppp                                                                                                                                                                                                                                                                                                                                                                                                                                          |  |
| <b>Description</b> | This command allows loopback detection to be enabled and disabled for MLPPP bundles. It is disabled by default. When the magic number option is disabled, the magic number option will not be requested when a member is trying to bring up the LCP layer on a member link; if the remote peer requests this option, it will be rejected. When transmitting echo-requests a magic number of 0 is used. When responding to echo-requests a magic number of 0 is sent. |  |

## Multilink-Bundle Port Commands

The magic number option is sent to the remote peer during protocol negotiation. If this option is rejected by the remote peer, the router will bring the link up but will be unable to detect loopbacks since the router will always send a magic number of 0 in the echo messages. If this option is accepted by the remote peer, the router will send echo messages with randomly generated magic-numbers. If the SR receives a config-req with the same magic number that was sent out, the router will calculate a new magic number to use and send out another config-request. If the router is persistently seeing the randomly generated magic number in the received config-req, the router will declare a loopback.

The **no** form of the command disables the loopback detection.

**Default** no magic-number

## multiclass

**Syntax** **multiclass** *count*  
**no multiclass**

**Context** config>port>ml-bundle>multiclass

**Description** This command enables multi-class MLPPP as defined by RFC 2686, *The Multi-Class Extension to Multi-Link PPP*, on a MLPPP bundle (including MLPPP bundle protection groups) with 2, 3 or 4 classes. For multiclass MLPPP bundles with a non-zero count, the class index takes valid values from 0 to one less than the maximum number of classes inclusive. For example a 4-class MLPPP bundle has 4 classes with indices 0, 1, 2, and 3. A bundle must be shutdown with no links for this value to be changed.

Entries are created and deleted by the system depending on the number of classes being used by a given MLPPP bundle.

The **no** form of the command disables multi-class MLPPP.

**Default** 4

**Parameters** *count* — Specifies the number of classes in a MLPPP bundle.

**Values** 2 — 4

## stateless-aps-switchover

|                    |                                                                                                                                                                                                                                                                                                                                                                                                                                                                                                                                                                                                                                                                                                                            |
|--------------------|----------------------------------------------------------------------------------------------------------------------------------------------------------------------------------------------------------------------------------------------------------------------------------------------------------------------------------------------------------------------------------------------------------------------------------------------------------------------------------------------------------------------------------------------------------------------------------------------------------------------------------------------------------------------------------------------------------------------------|
| <b>Syntax</b>      | <b>[no] stateless-aps-switchover</b>                                                                                                                                                                                                                                                                                                                                                                                                                                                                                                                                                                                                                                                                                       |
| <b>Context</b>     | config>port>multilink-bundle> mlppp                                                                                                                                                                                                                                                                                                                                                                                                                                                                                                                                                                                                                                                                                        |
| <b>Description</b> | <p>This command specifies whether the bundle will perform a statefull or a stateless APS switchover. The value can be changed for APS bundle protection groups of type MLPPP.</p> <p>A stateless switchover implies that PPP is re-negotiated on each member link after the switchover. PPP negotiations may take a few seconds to complete.</p> <p>A statefull switchover implies that after an APS switchover the PPP state of the bundle will be restored based on the bprp bundle state before the switchover.</p> <p>The state cannot be changed for normal MLPPP bundles (only applicable for bprps). The following message appears:</p> <p>The <b>no</b> form of the command disables stateless APS switchover.</p> |
| <b>Default</b>     | disabled                                                                                                                                                                                                                                                                                                                                                                                                                                                                                                                                                                                                                                                                                                                   |

## mrru

|                    |                                                                                                                                                                                                                                                                                                                                                                                         |
|--------------------|-----------------------------------------------------------------------------------------------------------------------------------------------------------------------------------------------------------------------------------------------------------------------------------------------------------------------------------------------------------------------------------------|
| <b>Syntax</b>      | <b>mrru</b> <i>mrru</i><br><b>no mrru</b>                                                                                                                                                                                                                                                                                                                                               |
| <b>Context</b>     | config>port>multilink-bundle                                                                                                                                                                                                                                                                                                                                                            |
| <b>Description</b> | <p>This command specifies the maximum received reconstructed unit (MRRU), similar to a maximum transmission unit (MTU), but applies only to MLPPP multilink bundles. The MRRU is the maximum frame size that can be reconstructed from multilink fragments. This command is only valid for MLPPP bundles.</p> <p>The <b>no</b> form of this command resets the MRRU to the default.</p> |
| <b>Default</b>     | 1524                                                                                                                                                                                                                                                                                                                                                                                    |
| <b>Parameters</b>  | <i>bytes</i> — Specify the maximum received reconstructed unit size, expressed as an integer.                                                                                                                                                                                                                                                                                           |
| <b>Values</b>      | 1500 — 9206 bytes                                                                                                                                                                                                                                                                                                                                                                       |

## protect-bundle

|                    |                                                                                                                                                |
|--------------------|------------------------------------------------------------------------------------------------------------------------------------------------|
| <b>Syntax</b>      | <b>[no] protect-bundle</b> <i>bundle-id</i>                                                                                                    |
| <b>Context</b>     | config>port>multilink-bundle                                                                                                                   |
| <b>Description</b> | This command configures a protect bundle that is part of this BPGrp.                                                                           |
| <b>Parameters</b>  | <i>bundle-id</i> — Specifies the protection multilink bundle in the bundle protection group. The command syntax must be configured as follows: |

## Multilink-Bundle Port Commands

**Syntax:** *bundle-type-slot/mda.bundle-num*  
**bundle-PPP or IMA-slot/mda.bundle-num** (Creates an MLPPP or IMA bundle.)  
**bundle:** keyword  
*slot:* IOM/MDA slot numbers  
*bundle-num:* 1 — 256

For example:  
router1>config>port>ml-bundle> protect-bundle bundle-ima-1/1.1

### red-differential-delay

**Syntax** **red-differential-delay** *red-diff-delay* [**down**]  
**no red-differential-delay**

**Context** config>port>multilink-bundle

**Description** This command sets the maximum acceptable differential delay for individual links within a multilink bundle. The differential delay is calculated as the round-trip differential delay for MLPPP bundles, and as uni-directional differential delay for IMA bundles.

The **no** form of this command restores the red-differential-delay defaults.

**Default** None

**Parameters** *red-diff-delay* — Specify the maximum red differential delay value.

**Values** 0 — 25 milliseconds for all other bundles  
0 — 50 milliseconds for IMA bundles

**down** — Transition the link that exceeded the differential delay to a down state (for example, remove it from the multilink bundle from an operational perspective).

### short-sequence

**Syntax** [**no**] **short-sequence**

**Context** config>port>multilink-bundle

**Description** This command specifies that the Multi-link Point to Point Protocol (MLPPP) bundle should use short (12 bit) sequence numbers instead of the default 24-bit sequence number. This command is only valid for MLPPP bundles.

The **no** form of this command disables the short-sequence feature.

**Default** no short-sequence

## working-bundle

|                    |                                                                                                                                                                                                                                                                                                                                                                                                                                                                                                                                                                                                                                                          |                |                                        |  |                                                                                         |                |         |              |                      |                    |         |
|--------------------|----------------------------------------------------------------------------------------------------------------------------------------------------------------------------------------------------------------------------------------------------------------------------------------------------------------------------------------------------------------------------------------------------------------------------------------------------------------------------------------------------------------------------------------------------------------------------------------------------------------------------------------------------------|----------------|----------------------------------------|--|-----------------------------------------------------------------------------------------|----------------|---------|--------------|----------------------|--------------------|---------|
| <b>Syntax</b>      | <b>[no] working-bundle</b> <i>bundle-id</i>                                                                                                                                                                                                                                                                                                                                                                                                                                                                                                                                                                                                              |                |                                        |  |                                                                                         |                |         |              |                      |                    |         |
| <b>Context</b>     | config>port>multilink-bundle                                                                                                                                                                                                                                                                                                                                                                                                                                                                                                                                                                                                                             |                |                                        |  |                                                                                         |                |         |              |                      |                    |         |
| <b>Description</b> | This command configures a working bundle that is part of this BPGp.                                                                                                                                                                                                                                                                                                                                                                                                                                                                                                                                                                                      |                |                                        |  |                                                                                         |                |         |              |                      |                    |         |
| <b>Parameters</b>  | <i>bundle-id</i> — Specifies the working multilink bundle in the bundle protection group. The command syntax must be configured as follows: <table> <tr> <td><b>Syntax:</b></td> <td><i>bundle-type-slot/mda.bundle-num</i></td> </tr> <tr> <td></td> <td><b>bundle-PPP or IMA</b>-<i>slot/mda.bundle-num</i> (Creates an MLPPP or IMA bundle.)</td> </tr> <tr> <td><b>bundle:</b></td> <td>keyword</td> </tr> <tr> <td><b>slot:</b></td> <td>IOM/MDA slot numbers</td> </tr> <tr> <td><b>bundle-num:</b></td> <td>1 — 256</td> </tr> </table> <p>For example:</p> <pre>router1&gt;config&gt;port&gt;ml-bundle&gt; working-bundle bundle-ima-1/1.1</pre> | <b>Syntax:</b> | <i>bundle-type-slot/mda.bundle-num</i> |  | <b>bundle-PPP or IMA</b> - <i>slot/mda.bundle-num</i> (Creates an MLPPP or IMA bundle.) | <b>bundle:</b> | keyword | <b>slot:</b> | IOM/MDA slot numbers | <b>bundle-num:</b> | 1 — 256 |
| <b>Syntax:</b>     | <i>bundle-type-slot/mda.bundle-num</i>                                                                                                                                                                                                                                                                                                                                                                                                                                                                                                                                                                                                                   |                |                                        |  |                                                                                         |                |         |              |                      |                    |         |
|                    | <b>bundle-PPP or IMA</b> - <i>slot/mda.bundle-num</i> (Creates an MLPPP or IMA bundle.)                                                                                                                                                                                                                                                                                                                                                                                                                                                                                                                                                                  |                |                                        |  |                                                                                         |                |         |              |                      |                    |         |
| <b>bundle:</b>     | keyword                                                                                                                                                                                                                                                                                                                                                                                                                                                                                                                                                                                                                                                  |                |                                        |  |                                                                                         |                |         |              |                      |                    |         |
| <b>slot:</b>       | IOM/MDA slot numbers                                                                                                                                                                                                                                                                                                                                                                                                                                                                                                                                                                                                                                     |                |                                        |  |                                                                                         |                |         |              |                      |                    |         |
| <b>bundle-num:</b> | 1 — 256                                                                                                                                                                                                                                                                                                                                                                                                                                                                                                                                                                                                                                                  |                |                                        |  |                                                                                         |                |         |              |                      |                    |         |

## yellow-differential-delay

|                    |                                                                                                                                                                                                                                                                                                                                                                                                                                                                                                                                |
|--------------------|--------------------------------------------------------------------------------------------------------------------------------------------------------------------------------------------------------------------------------------------------------------------------------------------------------------------------------------------------------------------------------------------------------------------------------------------------------------------------------------------------------------------------------|
| <b>Syntax</b>      | <b>yellow-differential-delay</b> <i>yellow-diff-delay</i><br><b>no yellow-differential-delay</b>                                                                                                                                                                                                                                                                                                                                                                                                                               |
| <b>Context</b>     | config>port>multilink-bundle                                                                                                                                                                                                                                                                                                                                                                                                                                                                                                   |
| <b>Description</b> | This command sets the yellow warning threshold for the differential delay for members within a multilink bundle. If circuit's delay exceeds the yellow-differential delay value, a log message and SNMP trap is sent. This command is only valid for MLPPP bundles. The differential delay is calculated as the round-trip differential delay for MLPPP bundles.<br><br>The <b>no</b> form of this command removes the yellow-differential-delay.<br>The <b>no</b> form of this command removes the yellow-differential-delay. |
| <b>Default</b>     | None                                                                                                                                                                                                                                                                                                                                                                                                                                                                                                                           |
| <b>Parameters</b>  | <i>yellow-diff-delay</i> — Specify the maximum yellow differential delay threshold value.<br><br><b>Values</b> 1— 25 milliseconds                                                                                                                                                                                                                                                                                                                                                                                              |

## ima

|                    |                                                                                                                                                                                                                                                                                                                     |
|--------------------|---------------------------------------------------------------------------------------------------------------------------------------------------------------------------------------------------------------------------------------------------------------------------------------------------------------------|
| <b>Syntax</b>      | <b>ima</b>                                                                                                                                                                                                                                                                                                          |
| <b>Context</b>     | config>port>multilink-bundle                                                                                                                                                                                                                                                                                        |
| <b>Description</b> | This command enables the context to configure parameters for an Inverse Multiplexing over ATM (IMA) group. An IMA group is a collection of physical links bundled together and assigned to an ATM interface. IMA enables a high-speed channel that is composed of ATM cells to be transported as a number of lower- |

## Multilink-Bundle Port Commands

speed circuits. Then they are reassembled as the original high-speed ATM channel. This command is only valid for IMA bundles.

### link-delay

**Syntax** **link-delay** {**activate** | **deactivate**} *milli-seconds*  
**no link-delay** {**activate** | **deactivate**}

**Context** config>port>multilink-bundle>ima

**Description** This command specifies the time to delay between detection of a link activation/deactivation condition and acting upon it (going in/out of the RX failure state on a link).

**Parameters** **activate** *milli-seconds* — Specifies the time, in milli-seconds, used to clear an existing LIF or LODS alarm. The time specified determines how long is needed for member links to stabilize before being activated.

**Values** 1 — 30000 milli-seconds

**Default** 10000

**deactivate** *milli-seconds* — Specifies the time, in milli-seconds, used to raise an LIF or LODS alarm. The time specified determines how long before a member link is declared in error and is deactivated.

**Values** 1 — 30000 milli-seconds

**Default** 2000

### max-bandwidth

**Syntax** **max-bandwidth** *number-links*  
**no max-bandwidth**

**Context** config>port>ml-bundle>ima

**Description** This command specifies the number of links that is used to determine the maximum configurable bandwidth that is allowed to be used for this IMA group.

The maximum bandwidth is computed as:

Maximum Configurable ATM Bandwidth (MCAB) =

(number-links) \* (M-1)/M \* (2048/2049) \* primary member link speed

where,

M is the IMA frame size (128)

primary member link speed is either E-1 — 1920kbps or DS-1 — 1539kbps. E-1 speed is used for a group with no members.

The total ATM bandwidth of services over shaped VCs cannot exceed the MCAB value as result of adding more services or removing member links.

The **no** form of the command resets the max-bandwidth to its default value

**Default** 8

**Parameters** *number-links* — Specifies the number of links that is used to determine the maximum configurable bandwidth that is allowed to be used for this IMA group.

**Values** 1 — 8

## test-pattern-procedure

**Syntax** **test-pattern-procedure**

**Context** config>port>ml-bundle>ima

**Description** This command enables the context to configure IMA test pattern procedures. Note that this command and sub-commands are not saved in the router configuration between reboots.

## test-link

**Syntax** **test-link** *port-id*  
**no test-link**

**Context** config>port>ml-bundle>ima>test-pattern-procedure

**Description** This comand specifies IMA members on which an IMA test pattern procedure is to be performed. The **no** form of this command deletes the link from test-pattern procedure. The test-pattern procedure must be shutdown first.

**Default** no test-link

**Parameters** *port-id* — The port ID to be used to verify link connectivity within an IMA group.

**Values**

|         |                         |
|---------|-------------------------|
| port-id | slot/mda/port[.channel] |
| aps-id  | aps-group-id[.channel]  |
|         | aps keyword             |
|         | group-id 1 — 64         |

## test-pattern

**Syntax** **test-pattern** *pattern*  
**no test-pattern**

**Context** config>port>ml-bundle>ima>test-pattern-procedure

**Description** This command specifies the transmit test pattern in an IMA group loopback operation. This value can only be changed when the **test-pattern-procedure** command is shut down

The **no** form of this command restores the test-pattern to the default.

**Default** 0

**Parameters** *pattern* — Specifies an integer taking the following values:

## Multilink-Bundle Port Commands

**Values** 0 — 255

### shutdown

**Syntax** [no] shutdown

**Context** config>port>ml-bundle>ima>test-pattern-procedure

**Description** This command enables a configured IMA test pattern procedure.  
The **no** form of this command disables the IMA test pattern procedure.

### version

**Syntax** **version** *IMA-version*  
**no version**

**Context** config>port>ml-bundle>ima>

**Description** This command configures the IMA version for the multilink bundle group. If there is a version mismatch between this IMA group and the far end IMA group, the IMA group will become operationally down. Automatic version changing is not supported. To change the IMA version, all member links must be removed from the group first.

**Default** 1-1

**Parameters** *IMA-version* — Specifies the IMA version for this group.

**Values** 1-0 — IMA version 1-0  
1-1 — IMA version 1-1

---

## SONET/SDH Port Commands

### sonet-sdh

**Syntax** **sonet-sdh**

**Context** config>port

**Description** This command enables access to the context to configure SONET/SDH ports. This context can only be used when configuring an OC-3, OC-12, OC-48, SONET/SDH ports on an appropriate MDA/CMA.

### clock-source

**Syntax** **clock-source {loop-timed | node-timed}**

**Context** config>port>sonet-sdh

**Description** This command configures the clock to be used for transmission of data out towards the line. The options are to use the locally recovered clock from the line's receive data stream or the node central reference.

Note: When changing the clock source for a port on an OC-48 MDA, a brief transmit interruption can occur on all ports of that MDA. Note that all SONET/SDH MDAs/CMAs support loop timing. The following table show MDAs that support loop timing:

| Sonet/SDH              | Loop Timed | Default    |
|------------------------|------------|------------|
| OC-48                  | Yes        | loop-timed |
| OC-12                  | No         | node-timed |
| OC-3                   | No         | node-timed |
| Channelized OC-12      | Yes        | loop-timed |
| Channelized OC-3       | Yes        | loop-timed |
| Channelized ASAP OC-12 | Yes        | loop-timed |
| Channelized ASAP OC-3  | Yes        | loop-timed |
| CES OC-3               | Yes        | loop-timed |
| ATM OC-12              | No         | node-timed |
| ATM OC-3               | No         | node-timed |

**Parameters** **loop-timed** — The link recovers the clock from the received data stream.

**node-timed** — The link uses the internal clock when transmitting data.

### framing

- Syntax** `framing {sonet | sdh}`
- Context** `config>port>sonet-sdh`
- Description** This command specifies SONET/SDH framing to be either SONET or SDH.
- Default** `sonet`
- Parameters** `sonet` — Configures the port for SONET framing.  
`sdh` — Configures the port for SDH framing.

### group

- Syntax** `group sonet-sdh-index payload {tu3 | vt2 | vt15}`
- Context** `config>port>sonet-sdh`
- Description** This command configures payload of the SONET/SDH group.  
For example:  
`config>port>sonet-sdh#`
- ```
group tug3-1.1 payload tu3
group tug3-1.2 payload vt2
group tug3-1.3 payload vt2
group tug3-2.1 payload vt15
group tug3-2.2 payload vt15
group tug3-2.3 payload tu3
group tug3-3.1 payload tu3
group tug3-3.2 payload tu3
group tug3-3.3 payload tu3
```
- Default** `none`
- Parameters** `sonet-sdh-index` — Specifies the components making up the specified SONET/SDH path. Depending on the type of SONET/SDH port the `sonet-sdh-index` must specify more path indexes to specify the payload location of the path.
- `tu3` — Specify the Tributary Unit Group (TUG3) on a path. Configures the port or channel for transport network use.
- `vt2` — Configures the path as a virtual tributary group of type vt2.
- `vt15` — Configures the path as a virtual tributary group of type vt15.

hold-time

Syntax	hold-time <i>hold-time</i> {[up <i>hold-time up</i>] [down <i>hold-time down</i>]} no hold-time
Context	config>port>sonet-sdh
Description	This command configures SONET link dampening timers in 100s of milliseconds. This guards against reporting excessive interface transitions. This is implemented by not advertising subsequent transitions of the interface to upper layer protocols until the configured timer has expired.
Default	no hold-time
Parameters	up <i>hold-time up</i> — Configures the hold-timer for link up event dampening. A value of zero (0) indicates that an up transition is reported immediately. Values 0 — 100 in 100s of milliseconds down <i>hold-time down</i> — The hold-timer for link down event dampening. A value of zero (0) indicates that a down transition is reported immediately. Values 0 — 100 in 100s of milliseconds Note: For APS configurations, the hold-time down and up default values are 100 ms and 500 ms respectively. But, if there is a large communication delay (time to exchange K1/K2 bytes) between the APS Controllers of the two endpoints of an APS link, it is highly suggested to increase the default hold-time down timer on the APS group port accordingly with the communication delay. See aps on page 236 .

loopback

Syntax	loopback { line internal } no loopback
Context	config>port>sonet-sdh
Description	This command activates a loopback on the SONET/SDH port. The SONET port must be in a shut down state to activate any type of loopback. The loopback setting is never saved to the generated/saved configuration file. Note that loopback mode changes on a SONET/SDH port can affect traffic on the remaining ports.
Default	no loopback
Parameters	line — Set the port into line loopback state. internal — Set the port into internal loopback state.

report-alarm

Syntax [no] report-alarm [loc] [lais] [lrdi] [ss1f] [lb2er-sd] [lb2er-sf] [slof] [slos] [lrei]

Context config>port>sonet-sdh

Description This command enables logging of SONET (SDH) line and section alarms for a SONET-SDH port. Only line and section alarms can be configured in the SONET/SDH context, for path alarms see the **sonet-sdh>path** context.

The **no** form of this command disables logging of the specified alarms

Parameters **loc** — Reports a loss of clock which causes the operational state of the port to be shut down.

Default **loc** alarms are issued.

lais — Reports line alarm indication signal errors. When configured, **lais** alarms are raised and cleared.

Default **lais** alarms are not issued.

lrdi — Reports line remote defect indication errors. LRDI's are caused by remote LOF, LOC, LOS. When configured, **lrdi** alarms are raised and cleared.

Default **lrdi** alarms are issued.

ss1f — Reports section synchronization failure which is detected when the S1 byte is not consistent for 8 consecutive frames. When configured, **ss1f** alarms are raised and cleared.

Default **ss1f** alarms are not issued.

lb2er-sd — Reports line signal degradation BER (bit interleaved parity) errors. Use the threshold command to set the error rate(s) that when crossed determine signal degradation and signal failure. When configured, **lb2er-sd** alarms are raised and cleared.

Default **lb2er-sd** alarms are not issued.

lb2er-sf — Reports line signal failure BER errors. Use the threshold command to set the error rate(s) that when crossed determine signal degradation and signal failure. When configured, **lb2er-sf** alarms are raised and cleared.

Default **lb2er-sf** alarms are issued.

slof — Reports section loss of frame errors. When configured, **slof** alarms are raised and cleared.

Default **slof** alarms are issued.

slos — Reports a section loss of signal error on the transmit side. When configured, **slos** alarms are raised and cleared.

Default **slos** alarms are issued.

lrei — Reports a line error condition raised by the remote as a result of b1 errors received from this node. When configured, **lrei** traps are raised but not cleared

Default **lrei** traps are not issued.

section-trace

Syntax	section-trace { increment-z0 byte <i>value</i> string <i>string</i> }						
Context	config>port>sonet-sdh						
Description	This command configures the section trace bytes in the SONET section header to interoperate with some older versions of ADMs or regenerators that require an incrementing STM ID. You can explicitly configure an incrementing STM value rather than a static one in the SDH overhead by specifying the <i>z0</i> -increment.						
Default	byte <i>0x1</i>						
Parameters	<i>increment-z0</i> — Configure an incrementing STM ID instead of a static value. byte <i>value</i> — Set values in SONET header bytes. <table> <tr> <td>Default</td> <td>0x1</td> </tr> <tr> <td>Values</td> <td>0 — 255 or 0x00 — 0xFF</td> </tr> </table> <i>string</i> <i>string</i> — Specifies a text string that identifies the section. <table> <tr> <td>Values</td> <td>A string up to 16 bytes.</td> </tr> </table>	Default	0x1	Values	0 — 255 or 0x00 — 0xFF	Values	A string up to 16 bytes.
Default	0x1						
Values	0 — 255 or 0x00 — 0xFF						
Values	A string up to 16 bytes.						

speed

Syntax	speed { oc3 oc12 } no speed
Context	config>port>sonet-sdh
Description	This command configures the speed of a SONET/SDH port as either OC3 or OC12. The framer for this MDA operates in groups of four. Changing the port speed for a port requires resetting the framer and causes a slight disruption on all four ports. The first framer controls ports 1,2,3,4, the second framer controls ports 5,6,7,8 etc. To change the port speed on a SONET/SDH port, the port must be administratively shut down and all channels must be removed. When the port speed is changed, the default channel configuration is recreated. The no form of this command reverts back to default.
Default	oc12
Parameters	oc3 — set the speed of the port to OC-3. oc12 — Set the speed of the port to OC-12.

suppress-lo-alarm

Syntax	[no] suppress-lo-alarm
Context	config>port>sonet-sdh

SONET/SDH Port Commands

Description This command enables the suppression of lower order alarms on SONET/SDH port such as MLPPP bundle alarms, DS1/E1 links alarms and 336 APS channel groups alarms.

The **no** form of the command disables the suppression of lower order alarms on SONET/SDH port.

tx-dus

Syntax [no] tx-dus

Context config>port>ethernet>ssm
config>port>sonet-sdh

Description This command forces the QL value transmitted from the SSM channel of the SONET/SDH port or the Synchronous Ethernet port to be set to QL-DUS/QL-DNU. This capability is provided to block the use of the interface from the SR/ESS for timing purposes.

Default no tx-dus

threshold

Syntax threshold {ber-sd | ber-sf} rate threshold-rate
no threshold {ber-sd | ber-sf}

Context config>port>sonet-sdh

Description This command configures the line signal degradation bit error rate (BER) and line signal failure thresholds. Line signal (b2) bit interleaved parity error rates are measured and when they cross either the degradation or failure thresholds alarms are raised (see the report-alarm line & section command), furthermore if the failure threshold is crossed the link will be set to operationally down.

Note: For APS configurations, if the **ber-sd** or **ber-sf** threshold rates must be modified, the changes must be performed at the line level on both the working and protect APS port member. See port [aps-id on page 221](#).

The **no** form of this command reverts to the default value.

Default threshold ber-sf 6 — Signal degrade BER threshold of 10^{-6}

threshold ber-sf 3 — Signal failure BER threshold of 10^{-3}

Parameters ber-sd — Specifies the BER that specifies signal degradation

ber-sf — Specifies the BER that specifies signal failure

rate — The BER negative exponent (n in 10^{-n}), expressed as a decimal integer.

Values 3 — 9 (10^{-3} — 10^{-9})

SONET/SDH Path Commands

path

Syntax [no] path [sonet-sdh-index]

Context config>port>sonet-sdh

Description This command defines the SONET/SDH path.
The **no** form of this command removes the specified SONET/SDH path.

Default full channel (or clear channel)

Parameters *sonet-sdh-index* — Specifies the components making up the specified SONET/SDH path. Depending on the type of SONET/SDH port the *sonet-sdh-index* must specify more path indexes to specify the payload location of the path. The *sonet-sdh-index* differs for SONET and SDH ports.

Syntax: sts1-*x.x*

	SONET	SDH	
OC-48	STS-12-index	STM-16	AUG-4-index
	STS-3-index		AUG-1-index
	STS-1-index		AU-3-index
OC-12	STS-3-index	STM-4	AUG-1-index
	STS-1-index		AU-3-index
OC-3	STS-1-index	STM-1	AU-3-index

In addition the support of virtual tributary circuits adds an additional level of complexity and several addition levels of indexes.

payload

Syntax payload {sts3 | tug3 | ds3 | e3}

Context config>port>sonet-sdh>path

Description This command specifies if the associated SONET/SDH path is an asynchronous circuit or a virtual tributary group (VT). This command is only applicable to channelized MDAs.

Default none

Parameters **sts3** — Configures STS3/STM1 payload as clear channel.
tug3 — Configures STS3/STM1 payload as Tributary Unit Group 3 (TUG3).

SONET/SDH Path Commands

- ds3** — Configures the port or channel as DS-3 STS1/VC3 payload as DS-3.
- e3** — Configures the port or channel as E-3 STS1/VC3 payload as E-3.
- vt2** — Configures the path STS1 payload as vt2 as a virtual tributary group. Only allowed on STS-1 nodes. (SONET VT container)
- vt15** — Configures the path as a virtual tributary group. Only allowed on STS-1 nodes. (SONET VT container)
- ds1** — Configures the port or channel as DS1.vt15 or vt2 payload as DS-1
- e1** — Configures VT2 payload as E-1.

report-alarm

Syntax	[no] report-alarms [pais] [plop] [prdi] [pplm] [prei] [puneq] [plcd]
Context	config>port>sonet-sdh>path
Description	This command enables logging of SONET (SDH) path alarms for a SONET-SDH port. Only path alarms can be configured in the channel context. The no form of this command disables logging of the specified alarms.
Parameters	<p>pais — Reports path alarm indication signal errors. When configured, pais alarms are raised and cleared. Default pais alarms are not issued</p> <p>plop — Reports path loss of pointer (per tributary) errors. When configured, plop traps are raised but not cleared. Default plop traps are issued</p> <p>prdi — Reports path remote defect indication errors. When configured, prdi alarms are raised and cleared. Default prdi alarms are not issued</p> <p>pplm — Reports a path payload mismatch, as a result the channel will be operationally downed. When configured, pplm traps are raised but not cleared. Default pplm traps are issued</p> <p>prei — Reports a path error condition raised by the remote as a result of b3 errors received from this node. When configured, prei traps are raised but not cleared. Default prei traps are not issued</p> <p>puneq — Reports path unequipped errors. Reports path unequipped signal errors. Default puneq traps are issued</p> <p>plcd — Reports path loss of codegroup delineation errors. It is applicable only when the value of xgig is set to WAN. Default plcd traps are not issued</p>

CRC

Syntax	crc {16 32}
Context	config>port>sonet-sdh>path
Description	A 16 bit CRC can only be configured on an OC-3 channel, all other channel speeds must use a 32 bit CRC except for the paths configured with encap-type atm at OC3 speed.
Default	16 for OC-3, DS-1, DS-3 32 for OC-12, OC-48, ATM-OC12/3, etc. Note: The CRC default is 32 when the encap-type is set to ATM and also, the default cannot be changed when the encap-type is set to ATM.
Parameters	16 — Use 16 bit checksum for the associated port/channel. 32 — Use 32 bit checksum for the associated port/channel.

encap-type

Syntax	encap-type {atm bcp-null bcp-dot1q ipcp ppp-auto frame-relay wan-mirror cisco-hdlc}
Context	config>port>sonet-sdh>path
Description	This command configures the encapsulation method used to distinguish customer traffic on an access SONET/SDH channel sub-port. When the encap-type is set to ATM the CRC default cannot be changed. When the encap-type is ATM, ATM sub-layer verification (GR-1248-CORE, <i>Generic Requirements for Operations of ATM Network Elements (NEs)</i>) is automatically enabled. The result of the verification includes: <ul style="list-style-type: none"> • Out of Cell Delineation (OCD) event count. The OCD event count is described in RFC 2515, <i>Definitions of Managed Objects for ATM Management</i>. Note that multiple events occurring within a second will be counted as 1 event for ATM and ASAP MDAs as a result of a hardware limit. • Loss of Cell Delineation defect/alarm. The LCD defect/alarm is defined in RFC 2515, <i>Definitions of Managed Objects for ATM Management</i>. When a path is in an LCD defect state, the path's operational status will be down. When a path exits the LCD state, the path's operational status will change to up (assuming nothing else causes the path to stay down). A trap is raised to indicate the LCD status change. Also a P-RDI is sent to indicate the defect to the remote end. <p>The encap-type is only required when configuring a SONET/SDH path for access mode. The no form of this command restores the default.</p>
Default	bcp-null
Parameters	atm — Specifies that the encapsulation on the port is ATM. bcp-null — Only a single service is configured on this channel and IEEE 802.1Q tags are not used as a service delimiter. Any IEEE 802.1Q tags encountered are regarded as part of the customer payload and

SONET/SDH Path Commands

transparently forwarded. When **bcp-null** encapsulation is specified, the PPP Bridge Control Protocol (BCP) is activated and all packets on this access port will be encapsulated in accordance with the BCP protocol.

Note that null ports will accept q-tagged frames.

bcp-dot1q — Ingress frames carry IEEE 802.1Q tags and the tags are used as service delimiter. Any untagged packets are silently discarded with exception of protocol specific packets. When **bcp-dot1q** encapsulation is specified, the PPP Bridge Control Protocol (BCP) is activated and all packets on this access port will be encapsulated in accordance with the BCP protocol.

ipcp — Ingress frames are encapsulated according to the IP Control Protocol. When **ipcp** encapsulation is specified, the PPP IP Control Protocol will be activated and only packets that comply with IPCP encapsulation are processed; others are silently discarded.

ppp-auto — Enables PPP on the associated port/channel. The activation of ipcp and mplscp is automatically enabled depending on the protocol configuration. This encap type is only valid on ports/channels in network mode.

frame-relay — Enables frame relay on the associated port/channel.

wan-mirror — The port is used for mirroring of frame-relay and POS ports. On these ports, no link management protocol would run.

cisco-hdlc — Monitors line status on a serial interface by exchanging keepalive request messages with peer network devices.

ppp

Syntax **ppp**

Context config>port>sonet-sdh>path

Description This command enables access to the context to configure the LCP operational parameters for a SONET/SDH Point-to-Point Protocol (PPP) link.

keepalive

Syntax **keepalive** *time-interval* [**dropcount** *count*]
no keepalive

Context config>port>sonet-sdh>path>ppp

Description This command enables the sending of keepalive messages and configures the time between messages and how many reports can be missed before bringing the link down.

The **no** form of this command disables the sending of echo requests.

Default **keepalive 10 dropcount 3**

Parameters *time-interval* — The time interval, in seconds, that echo requests are issued.

Values 1 — 60

Default 10

dropcount *count* — The number of keepalive messages that can be missed before the line is brought down.

Values 1— 255

Default 3

report-alarm

Syntax [no] report-alarm {pais | plop | prdi | pplm | prei}

Context config>port>sonet-sdh>path

Description This command enables logging of SONET (SDH) path alarms for a SONET-SDH port. Only path alarms can be configured in the channel context.

The **no** form of this command disables logging of the specified alarms.

Parameters **pais** — Reports path alarm indication signal errors. When configured, **pais** alarms are raised and cleared.

Default pais alarms are not issued

plop — Reports path loss of pointer (per tributary) errors. When configured, **plop** traps are raised but not cleared.

Default plop traps are issued

prdi — Reports path remote defect indication errors. When configured, **prdi** alarms are raised and cleared.

Default prdi alarms are not issued

pplm — Reports a path payload mismatch, as a result the channel will be brought down. When configured, **pplm** traps are raised but not cleared.

Default pplm traps are issued

prei — Reports a path error condition raised by the remote as a result of b3 errors received from this node. When configured, **prei** traps are raised but not cleared

Default prei traps are not issued

scramble

Syntax [no] scramble

Context config>port>sonet-sdh>path

Description This command enables SONET/SDH payload scrambling. Scrambling randomizes the pattern of 1s and 0s carried in a SONET frame. Rearranging or scrambling the pattern prevents continuous strings of all 1s or all 0s and meets the needs of physical layer protocols that rely on sufficient transitions between 1s and 0s to maintain clocking.

SONET/SDH Path Commands

For ATM, this command enables or disables ATM cell-level payload scrambling/descrambling using $x^{43}+1$ polynomial as defined in ITU-T I.432.1. Scrambling is enabled by default for the ATM path/channel. Note that this scrambling is done in addition to SONET/SDH frame scrambling/descrambling, which is always enabled in the framer.

The **no** form of this command disables scrambling.

Default no scramble

signal-label

Syntax **signal-label** *value*

Context config>port>sonet-sdh>path

Description This command sets the C2 byte value. The purpose of this byte is to communicate the payload type being encapsulated by SONET framing.

Default 0xcf

Parameters *value* — Specifies the C2 byte value, expressed as a decimal integer or a value in hex format.

Values 1 — 254 or 0x01 — 0xfe

trace-string

Syntax **trace-string** [*trace-string*]
no trace-string

Context config>port> sonet-sdh>path

Description This command specifies that a J1-path-trace that identifies the circuit is inserted continuously at source. This can be checked against the expected value by the receiver. If no trace string is entered then a null string is used.

The **no** form of this command resets the string to its default.

Default The default J1 value is Alcatel-Lucent XXX YYY (for example, Alcatel 7710 SR) where XXX is the platform name, such as "7710", and YYY is the product name, such as "SR" or "ESS". The value does not change when the encap-type changes. The J1 string contains all zeros for a non-provisioned path.

Parameters *trace-string* — Specifies either a string up to 62 bytes for SONET or 15 bytes for SDH. If the string contains spaces, enclose it in quotation marks.

keepalive

Syntax **keepalive** *time-interval*
no keepalive

Context config>port>sonet-sdh>path>cisco-hdlc
 config>port>tdm>ds1>channel-group>cisco-hdlc
 config>port>tdm>ds3>cisco-hdlc
 config>port>tdm>e1>channel-group>cisco-hdlc
 config>port>tdm>e3>cisco-hdlc

Description This command specifies the interval, in seconds, used to send periodic keepalive packets. The receiver process expects to receive a keepalive packet every "keepalive interval". The link is declared down if the receiver process does not receive a keepalive within the "timeout interval". The link is declared up once the number of continual keepalive packets received equals to the up-count. The nodes at the two endpoints of the cHDLC link should be provisioned with the same values.

Default 10

Parameters *time-interval* — Specifies the interval used to send periodic keepalive packets.

Values 0 — 300 seconds. A value of 0 means no keepalive packets are sent.

up-count

Syntax **up-count** *up-count*
no up-count

Context config>port>sonet-sdh>path>cisco-hdlc
 config>port>tdm>ds1>channel-group>cisco-hdlc
 config>port>tdm>ds3>cisco-hdlc
 config>port>tdm>e1>channel-group>cisco-hdlc
 config>port>tdm>e3>cisco-hdlc

Description This command configures the number of continual keepalive packets that have to be received in order to declare the link up. It is expected that the nodes at the two endpoints of the cHDLC link are provisioned with the same values.

Default 1

Parameters *up-count* — Specifies the number of continual keepalive packets that must be received in order to declare the link up.

Values 1 — 3

ATM Interface Commands

atm

Syntax	atm
Context	config>port>sonet-sdh>path config>port>tdm>ds1>channel-group config>port>tdm>ds3 config>port>tdm>e3 config>port>tdm>e1>channel-group config>port>multilink-bundle>ima
Description	This command enables the context to configure ATM interface properties.

cell-format

Syntax	cell-format <i>cell-format</i>
Context	config>port>tdm>ds1>channel-group>atm config>port>tdm>ds3>atm config>port>tdm>e3>atm config>port>tdm>e1>channel-group>atm config>port>multilink-bundle>ima>atm
Description	This command configures the ATM cell format.
Parameters	uni — Specifies the user-to-network interface (UNI) cell format. nni — Specifies the network-to-network interface (NNI) cell format.

mapping

Syntax	mapping <i>mapping</i>
Context	config>port>tdm>ds3>atm
Description	This command configures the ATM cell mapping for DS-3 channels. The mapping value specifies the cell mapping that is to be used on this ATM interface.
Default	direct cell mapping
Parameters	<i>mapping</i> — The mapping value specifies the cell mapping that is to be used on this ATM interface.
Values	direct — Specifies direct cell mapping. plcp — Specifies PLCP cell mapping.

min-vp-vpi

Syntax	min-vp-vpi <i>value</i>
Context	config>port>sonet-sdh>path>atm config>port>multilink-bundle>ima>atm config>port>tdm>ds1>channel-group>atm config>port>tdm>ds3>atm config>port>tdm>e1>channel-group>atm config>port>tdm>e3>atm
Description	This command sets the minimum allowable virtual path identifier (VPI) value that can be used on the ATM interface for a VPC.
Parameters	<i>value</i> — Specify the minimum allowable VPI value that can be used on the ATM interface for a VPC.
Values	0 — 4095 (NNI) 0 — 255 (UNI)
Default	0

ilmi

Syntax	ilmi [<i>vpi/vci</i>] no ilmi
Context	config>port>sonet-sdh>path>atm
Description	This command creates an ILMI link PVCC by default on VPI/VCI 0/16. Deleting an ILMI link deletes the PVCC. ILMI is supported only on ATM interfaces on SONET/SDH paths.
Parameters	<i>vpi/vci</i> — Specifies the PVC identifier (vpi/vci).
Values	vpi 0 — 4095 (NNI) 0 — 255 (UNI) vci 1, 2, 5 — 65535

egress

Syntax	egress
Context	config>port>sonet-sdh>path>atm>ilmi
Description	This command enables the context to configure egress traffic attributes for the ILMI link.

ATM Interface Commands

ingress

- Syntax** **ingress**
- Context** config>port>sonet-sdh>path>atm>ilmi
- Description** This command enables the context to configure ingress traffic attributes for the ILMI link.

traffic-desc

- Syntax** **traffic-desc** *traffic-desc-profile-id*
no traffic-desc
- Context** config>port>sonet-sdh>path>atm>ilmi>egress
config>port>sonet-sdh>path>atm>ilmi>ingress
- Description** This command associates an ATM traffic descriptor profile to an ILMI link. It is recommended to change this to the traffic profile as defined in the ILMI specification.
- Default** atm-td-profile 1
- Parameters** *traffic-desc-profile-id* — Specifies an existing ATM traffic descriptor profile. Traffic descriptor profiles are configured in the **config>qos>atm-td-profile** context.
- Values** 1 — 1000

keep-alive

- Syntax** **keep-alive** [**poll-frequency** *seconds*] [**poll-count** *value*] [**test-frequency** *seconds*]
no keep-alive
- Context** config>port>sonet-sdh>path>atm>ilmi
- Description** This command configures keepalive parameters to monitor ILMI link connectivity.
The **no** form of this command resets the default values on an ILMI link.
Last Config Change: 03/29/2007 20:35:19 Poll Count:4
Poll Freq: 5 Test Freq: 1
- Parameters** **poll-frequency** *seconds* — Specifies the amount of time, in seconds, between successive transmissions of ILMI messages on this interface for the purpose of detecting the establishment of ILMI connectivity.
Values 1 — 255
- poll-count** *value* — Specifies the number of consecutive polls on this interface for which no ILMI response message is received before ILMI connectivity is declared lost.
Values 1 — 255
- test-frequency** *seconds* — Specifies the frequency for testing for connectivity when the link is establishing before polling begins.

Values 0 — 255

protocol

Syntax **protocol** *protocol-type*
no protocol

Context config>port>sonet-sdh>path>atm>ilmi

Description This command configures the protocol.

Parameters *protocol-type* — The *protocol-type* is an enumerated integer whose value indicates the ILMI version of either 3.1 or 4.0 that is advertised by IME and also indicates the ILMI IME type of either user-side or network-side.

Values 4_0-user, 4_0-network. 3_1-user, 3_1-network

Frame Relay Commands

frame-relay

Syntax	frame-relay
Context	config>port>sonet-sdh>path config>port>tdm>ds1>channel-group config>port>tdm>ds3 config>port>tdm>e1>channel-group config>port>tdm>e3
Description	<p>This command allows access to the context to configure the Frame Relay Local Management Interface (LMI) operational parameters for a SONET/SDH PoS link, a DS-0 channel group, or a DS-3/E-3 port or channel.</p> <p>The port's mode must be set to access in config>port>sonet-sdh>path>mode access context.</p> <p>The port's encapsulation type must be set to frame-relay in the config>port>sonet-sdh>path>encap-type frame-relay context.</p> <p>The no form of this command removes the Frame Relay LMI operational parameters.</p>

frf-12

Syntax	[no] frf-12
Context	config>port>tdm>ds1>channel-group>frame-relay config>port>tdm>e1>channel-group>frame-relay config>port>tdm>ds3>frame-relay config>port>tdm>e3>frame-relay config>port>sonet-sdh>path>frame-relay
Description	This command defines the context to configure the parameters of FRF.12 Frame Relay fragmentation.

egress

Syntax	egress
Context	config>port>multilink-bundle>mlfr config>port>tdm>ds1>channel-group>frame-relay config>port>tdm>e1>channel-group>frame-relay>frf-12 config>port>tdm>ds3>frame-relay>frf-12 config>port>tdm>e3>frame-relay>frf-12 config>port>sonet-sdh>path>frame-relay>frf-12

Description This command enables the context to configure the egress QoS profile for an MLFR bundle or a Frame Relay port with FRF.12 UNI/NNI fragmentation enabled.

qos-profile

Syntax **qos-profile** *profile-id*
no qos-profile

Context config>port>tdm>channel-group>frame-relay>egress
config>port>sonet-sdh>path>frame-relay>egress

Description This command specifies the ingress or egress QoS profile to be used for the configuration of the egress QoS parameters of a Frame Relay port with FRF.12 UNI/NNI fragmentation enabled.
The no form of the command removes the parameters from the configuration.

Parameters *profile-id* — Specifies the profile number. The value can only be modified if the FR port is shut down.

Values 1-128

fragment-threshold

Syntax **fragment-threshold** *fragment-threshold*
no fragment-threshold

Context config>port>tdm>channel-group>frame-relay>frf.12
config>port>sonet-sdh>path>frame-relay>frf.12

Description This command sets the maximum length in bytes of a fragment transmitted across a frame relay port with the FRF.12 UNI/NNI fragmentation enabled.
The no form of this command resets the fragment threshold back to the default value.

Default 128

Parameters *fragment-threshold* — Specifies the maximum fragment length, in bytes, to be transmitted across the FRF.12 port.

Values 128-512 bytes

identifier

Syntax [**no**] **identifier** *frf16-link-id-string*

Context config>port>tdm>ds1>channel-group>frame-relay

Description This command defines the identifier for the FR bundle when used in an MLFR bundle. The **no** form of this command resets the value to null.

Default null

Frame Relay Commands

Parameters *frf16-link--id-string* — Specifies the bundle ID string.

Values 50 chars maximum

lmi-type

Syntax **lmi-type** {ansi | itu | none | rev1}
no lmi-type

Context config>port>sonet-sdh>path>frame-relay
config>port>tdm>ds1>channel-group>frame-relay
config>port>tdm>ds3>frame-relay
config>port>tdm>e1>channel-group>frame-relay
config>port>tdm>e3>frame-relay

Description This command configures the Local Management Interface (LMI) type for Frame Relay interfaces. LMIs are sets of enhancements to the basic Frame Relay specification.

The **no** form of this command changes the LMI type back to the default value.

Default itu

Parameters **ansi** — Use ANSI T1.617 Annex D.

itu — Use ITU-T Q933 Annex A.

none — Disable Frame Relay LMI on the given port/channel.

rev1 — Use the Rev 1 version of ANSI T1.617 Annex D.

mode

Syntax **mode** {dce | dte | bidir}

Context config>port>sonet-sdh>path>frame-relay
config>port>tdm>ds1>channel-group>frame-relay
config>port>tdm>ds3>frame-relay
config>port>tdm>e1>channel-group>frame-relay
config>port>tdm>e3>frame-relay

Description This command sets the Frame Relay interface into the DCE, DTE, or Bidirectional mode of LMI operation. The DTE mode causes the router to send status enquiries over the interface. The DCE mode causes the router to respond to status enquiries. In bidirectional mode, the router performs both DTE and DCE operation over the FR interface. The bidirectional mode applies to the ANSI and ITU LMI types only.

This feature is used when two routers are connected back-to-back, running frame relay encapsulation.

Default dte

Parameters **dce** — Enables the DCE mode.

dte — Enables the DTE mode.

bidir — Enables the bidirectional mode for LMI types ANSI and ITU.

n391dte

Syntax **n391dte** *intervals*
no n391dte

Context config>port>sonet-sdh>path>frame-relay
config>port>tdm>ds1>channel-group>frame-relay
config>port>tdm>ds3>frame-relay
config>port>tdm>e1>channel-group>frame-relay
config>port>tdm>e3>frame-relay

Description This command sets the DTE full status polling interval for the Frame Relay Local Management Interface (LMI). The number specifies the frequency at which inquiries expect a full status report.

The **no** form of this command returns the **n391dte** counter to the default value.

Default 6

Parameters *intervals* — The number of exchanges to be done before requesting a full-status report. A value of 1 specifies to receive full-status messages only.

Values 1 — 255

n392dce

Syntax **n392dce** *threshold*
no n392dce

Context config>port>sonet-sdh>path>frame-relay
config>port>tdm>ds1>channel-group>frame-relay
config>port>tdm>ds3>frame-relay
config>port>tdm>e1>channel-group>frame-relay
config>port>tdm>e3>frame-relay

Description This command sets the DCE error threshold for the Frame Relay Local Management Interface (LMI).

The threshold specifies the number of errors needed to bring down a link.

The **no** form of this command returns the **n392dce** counter to the default value.

Default 3

Parameters *threshold* — Specify the number of errors that will place the channel in an operationally down state.

Values 1 — 10

Frame Relay Commands

n392dte

Syntax **n392dte** *count*
no n392dte

Context config>port>sonet-sdh>path>frame-relay
 config>port>tdm>ds1>channel-group>frame-relay
 config>port>tdm>ds3>frame-relay
 config>port>tdm>e1>channel-group>frame-relay
 config>port>tdm>e3>frame-relay

Description This command sets the DTE error threshold for the Frame Relay Local Management Interface (LMI).
 The count specifies the number of errors needed to bring down a link.
 The **no** form of this command returns the **n392dte** counter to the default value.

Default 3

Parameters *count* — Specify the number of errors that will place the path or channel in an operationally down state.
Values 1 — 10

n393dce

Syntax **n393dce** *count*
no n393dce

Context config>port>sonet-sdh>path>frame-relay
 config>port>tdm>ds1>channel-group>frame-relay
 config>port>tdm>ds3>frame-relay
 config>port>tdm>e1>channel-group>frame-relay
 config>port>tdm>e3>frame-relay

Description This command sets the DCE monitored event count for the Frame Relay Local Management Interface (LMI).
 The **no** form of this command returns the **n393dce** counter to the default value.

Default 4

Parameters *count* — Specify the diagnostic window used to verify link integrity on the DCE interface.
Values 1 — 10

n393dte

Syntax **n393dte** *number*
no n393dte

Context config>port>sonet-sdh>path>frame-relay

```

config>port>tdm>ds1>channel-group>frame-relay
config>port>tdm>ds3>frame-relay
config>port>tdm>e1>channel-group>frame-relay
config>port>tdm>e3>frame-relay

```

Description This command sets the DTE monitored event count for the Frame Relay Local Management Interface (LMI).

The **no** form of this command returns the **n393dte** counter to the default value.

Default 4

Parameters *number* — Specify the diagnostic window used to verify link integrity on the DTE interface.

Values 1 — 10

t391dte

Syntax **t391dte** *seconds*
no t391dte

Context config>port>sonet-sdh>path>frame-relay
config>port>tdm>ds1>channel-group>frame-relay
config>port>tdm>ds3>frame-relay
config>port>tdm>e1>channel-group>frame-relay
config>port>tdm>e3>frame-relay

Description This command sets the DTE keepalive timer for the Frame Relay Local Management Interface (LMI).

This number specifies the period at which the DTE sends out a keepalive response request to the DCE and updates status depending on the DTE error threshold value.

The **no** form of this command returns the **t391dte** keepalive timer to the default value.

Default 10

Parameters *seconds* — Specify the interval in seconds between status inquiries issued by the DTE.

Values 5 — 30

t392dce

Syntax **t392dce** *seconds*
no t392dce

Context config>port>sonet-sdh>path>frame-relay
config>port>tdm>ds1>channel-group>frame-relay
config>port>tdm>ds3>frame-relay
config>port>tdm>e1>channel-group>frame-relay
config>port>tdm>e3>frame-relay

Frame Relay Commands

- Description** This command sets the DCE keepalive timer for the Frame Relay Local Management Interface (LMI). This number specifies the period at which the DCE checks for keepalive responses from the DTE and updates status depending on the DCE error threshold value. The **no** form of this command returns the **t392dce** keepalive timer to the default value.
- Default** 15
- Parameters** *seconds* — Specify the expected interval in seconds between status inquiries issued by the DTE equipment.
- Values** 5 — 30

TDM Commands

tdm

Syntax tdm

Context config>port

Description This command enables the context to configure DS-1/E-1 and DS-3/E-3 parameters for a port on a channelized MDA T1/E1. This context cannot be accessed on non-channelized MDAs.

TDM is a mechanism to divide the bandwidth of a stream into separate channels or time slots by assigning each stream a different time slot in a set. TDM repeatedly transmits a fixed sequence of time slots over a single transmission channel. Each individual data stream is reassembled at the receiving end based on the timing.

Default None

ds1

Syntax [no] ds1 *ds1-id*

Context config>port>tdm

Description This command enables the context to configure digital signal level 1 (DS-1) frame parameters. The T-Carrier system was the first successful system that supported digitized voice transmission. The original transmission rate (1.544 Mbps) in the T-1 (DS-1) line is commonly used by Internet service providers (ISPs) to connect to the Internet.

North America uses the T-Carrier system while Europe uses the E-Carrier system of transmission, using multiples of the DS- system. Digital signals are carried inside the carrier systems.

T-1 transmits DS-1-formatted data at 1.544 Mbps through the network. The corresponding European carrier is E-1 with a data rate of 2.048 Mbps. E-1 and T-1 (DS-1) can be interconnected for international use.

The **no** form of this command disables DS-1 capabilities.

Default None

Parameters *ds1-id* — Identifies the DS-1 channel being created.

Values DS1: 1 — 28

ds3

Syntax [no] ds3 [*sonet-sdh-index*]

Context config>port>tdm

Description This command enables the context to configure DS-3 parameters. DS-3 lines provide a speed of 44.736 Mbps and is also frequently used by service providers. DS-3 lines carry 28 DS-1 signals and a 44.736 Mbps data rate.

A DS-3 connection typically supports data rates of about 43 Mbps. A T-3 line actually consists of 672 individual channels, each supporting 64 Kbps. T-3 lines are used mainly by Service Providers to connect to the Internet backbone and for the backbone itself.

Depending on the MDA type, the DS-3 parameters must be disabled if clear channel is enabled by default (for example, on the m12-ds3 MDA). Clear channel is a channel that uses out-of-band signaling, not in-band signaling, so the channel's entire bit rate is available. Channelization must be explicitly specified. Note that if DS-3 nodes are provisioned on a channelized SONET/SDH MDA you must provision the parent STS-1 SONET/STM0 SDH path first.

North America uses the T-Carrier system while Europe uses the E-Carrier system of transmission, using multiples of the DS system. Digital signals are carried inside the carrier systems.

The **no** form of this command disables DS-3 capabilities.

Default none

Parameters *sonet-sdh-index* — Specifies the components making up the specified SONET/SDH Path. Depending on the type of SONET/SDH port the *sonet-sdh-index* must specify more path indexes to specify the payload location of the path. The *sonet-sdh-index* differs for SONET and SDH ports.

e1

Syntax e1 [*e1-id*]

Context config>port>tdm

Description This command enables the context to configure E-1 parameters. E-1 is a basic time division multiplexing scheme used to carry digital circuits. It is also a standard WAN digital communication format designed to operate over copper facilities at a rate of 2.048 Mbps.

North America uses the T-Carrier system while Europe uses the E-Carrier system of transmission, using multiples of the DS system. Digital signals are carried inside the carrier systems. The **no** form of this command disables E-1 capabilities.

Default none

Parameters *e1-id* — Specifies the E-1 channel being created.

Values E1: 1 — 21

e3

Syntax	e3 <i>sonet-sdh-index</i>
Context	config>port>tdm
Description	<p>This command enables the context to configure E-3 parameters. E-3 lines provide a speed of 44.736 Mbps and is also frequently used by service providers. E-3 lines carry 16 E-1 signals with a data rate of 34.368 Mbps.</p> <p>A E-3 connection typically supports data rates of about 43 Mbps. A E-3 line actually consists of 672 individual channels, each supporting 64 Kbps. E-3 lines are used mainly by Service Providers to connect to the Internet backbone and for the backbone itself.</p> <p>Depending on the MDA type, the E-3 parameters must be disabled if clear channel is enabled by default (for example, on the m12-ds3e3 MDA). Clear channel is a channel that uses out-of-band signaling, not in-band signaling, so the channel's entire bit rate is available. Channelization must be explicitly specified. Note that if E-3 nodes are provisioned on the channelized SONET/SDH MDA you must provision the parent STS-1 SONET/STM0 SDH path first.</p> <p>North America uses the T-Carrier system while Europe uses the E-Carrier system of transmission, using multiples of the DS system. Digital signals are carried inside the carrier systems.</p> <p>The no form of this command disables E-3 capabilities.</p>

bert

Syntax	bert { 2e3 2e9 2e11 2e15 2e20 2e20q 2e23 ones zeros alternating } duration <i>duration</i> no bert
Context	config>port>tdm>ds1 config>port>tdm>ds3 config>port>tdm>e1 config>port>tdm>e3
Description	<p>This command initiates or restarts a Bit Error Rate Test (BERT) on the associated DS-1/E-1 or DS-3/E-3 circuit.</p> <p>The associated DS-1, E-1, DS-3, or E-3 must be in a shutdown (admin down) state to initiate this test.</p> <p>The no form of the command terminates the BERT test if it has not yet completed.</p> <p>Notes:</p> <ul style="list-style-type: none"> • This command is not saved in the router configuration between boots. • The 4-port OC-3/STM-1 and the 1-port OC-12/STM-4 ASAP MDA supports up to 28 concurrent BERT tests per MDA. The 4-port and 12-port DS-3/E-3 ASAP MDAs support a single BERT test per MDA. An attempt to configure more BERT tests can result in an error indicating an operation failure due to resource exhaustion. • If the ASAP MDA BERT error insertion rate command is executed when tests are running, it will not take effect until test is restarted.
Default	2e3

TDM Commands

Parameters	<i>duration</i> — Sets the duration for the BERT test. Values Up to 24 hours, in seconds or hh:mm:ss format ones — Sends an all ones pattern. zeros — Sends an all zeroes pattern. alternating — Sends an alternating ones and zeros pattern. 2e3 — Sends a pseudo-random $2^3 - 1$ pattern 2e9 — Sends a pseudo-random $2^9 - 1$ pattern 2e15 — Sends a pseudo-random $2^{15} - 1$ pattern. 2e20 — Sends a pseudo-random $2^{20} - 1$ pattern. Not available on channelized ASAP MDAs.
-------------------	---

bit-error-insertion

Syntax	bit-error-insertion <i>rate</i> no bit-error-insertion
Context	config>port>tdm>ds1 config>port>tdm>ds3 config>port>tdm>e1 config>port>tdm>e3
Description	This command inserts bit errors into a running BERT test. The number of errors inserted corresponds to $10^{(-rate)}$. A rate of 0 will cause 1 error in every bit transmitted. A rate of 7 will cause an error rate of $10^{(-7)}$, or 1 error in every one billion bits transmitted. The no command disables the insertion of bit errors into the bit error rate test stream. NOTE: This command is not saved in the router configuration between boots.
Default	no bit-error-insertion
Parameters	<i>rate</i> — Specifies the bit error rate, expressed as an integer. Values 2 — 7

buildout

Syntax	buildout { long short }
Context	config>port>tdm
Description	This command specifies line buildout (cable length) for physical DS-1/DS-3 ports .
Default	short
Parameters	long — Sets the line buildout for length runs up to 450 feet. short — Sets the line buildout for length runs up to 225 feet.

lbo

Syntax **lbo [0dB | -7.5dB | -15.0dB | -22.5dB]**

Context config>port>tdm

Description This command applies only to a DS-1 port configured with a 'long' buildout (see the **buildout** command). Specify the number of decibels the transmission signal decreases over the line.

For 'short' buildout the following values are valid:

lboNotApplicable — Not applicable

For 'long' buildout the following values are valid:

lbo0dB	For 0 dB
lboNeg7p5dB	For -7.5 dB
lboNeg15p0dB	For -15.0 dB
lboNeg22p5dB	For -22.5 dB

The default for 'short' build out is 'NotApplicable' while the default for 'long' buildout is 'lbo0dB'.

length

Syntax **length {133 | 266 | 399 | 533 | 655}**

Context config>port>tdm

Description This command applies only to a DS-1 port configured with a 'short' buildout. The **length** command configures the length of the line (in feet). For line lengths longer than 655 feet, configure the DS-1 port buildout as 'long'.

For 'long' buildout the following values are valid:

NotApplicable — Not applicable

For 'short' buildout the following values are valid:

0 — 133	For line length from 0 to 133 feet
134 — 266	For line length from 134 to 266 feet
267 — 399	For line length from 267 to 399 feet
400 — 533	For line length from 400 to 533 feet
534 — 655	For line length from 534 to 655 feet

The default for 'long' buildout is 'NotApplicable' while the default for 'short' buildout is '0 — 133'.

channel-group

Syntax	[no] channel-group <i>channel-group-id</i>
Context	config>port>tdm>ds1>channel-group config>port>tdm>e1>channel-group
Description	This command creates DS0 channel groups in a channelized DS1 or E1 circuit. Channel groups cannot be further subdivided. The no form of this command deletes the specified DS1 or E1 channel.
Default	None
Description	<i>channel-group-id</i> — Identifies the channel-group ID number.
Values	DS1: 1 — 24 E1: 1 — 32

channelized

Syntax	channelized {ds1 e1} no channelized
Context	config>port>tdm>ds3
Description	This command specifies that the associated DS-3 is a channelized DS-3 with DS-1/E-1 sub-channels. Depending on the MDA type, the DS-3 parameters must be disabled if clear channel is the default (for example, on m12-ds3 MDAs). Clear channel is a channel that uses out-of-band signaling, not in-band signaling, so the channel's entire bit rate is available. Channelization must be explicitly specified. The no form specifies the associated DS-3 is a clear channel circuit and cannot contain sub-channel DS-1s/E-1s. The sub-channels must be deleted first before the no command is executed.
Default	no channelized.
Parameters	ds1 — Specifies that the channel is DS-1. e1 — Specifies that the channel is E-1.

cisco-hdlc

Syntax	cisco-hdlc
Context	config>port>tdm>ds1>channel-group config>port>tdm>ds3 config>port>tdm>e1>channel-group config>port>tdm>e3
Description	This command enables the context to configure Cisco HDLC parameters. Cisco HDLC is an encapsulation protocol that governs information transfer. It specifies a data encapsulation method on synchronous serial links using frame characters and checksums.

Cisco HDLC monitors line status on a serial interface by exchanging keepalive request messages with peer network devices. It also allows routers to discover IP addresses of neighbors by exchanging Serial Link Address Resolution Protocol (SLARP) address-request and address-response messages with peer network.

Only IES SAPs (including SAPs in VPRN service) can provision a Cisco-HDLC-capable configuration.

clock-source

Syntax `clock-source {loop-timed | node-timed | adaptive | differential}`

Context
`config>port>tdm>ds1`
`config>port>tdm>ds3`
`config>port>tdm>e1`
`config>port>tdm>e3`

Description This command configures the clock to be used for transmission of data out towards the line. The options are to use the locally recovered clock from the line's receive data stream, the node central reference, or an adaptively recovered clock using the received packets.

The following tables show MDAs that support loop timing at DS3/E3 and DS1/E1 channelization options.

TDM DS3/E3	LoopTimed	Default
Channelized OC-12	No	node-timed
Channelized OC-3	No	node-timed
Channelized DS3/E3	No	node-timed
Channelized ASAP OC-12	Yes	node-timed
Channelized ASAP OC-3	Yes	node-timed
Channelized ASAP DS3/E3	Yes	node-timed
CES OC-3	Yes	node-timed

TDM Commands

TDM DS1/E1	LoopTimed	Default
Channelized OC-12	Yes	loop-timed
Channelized OC-3	Yes	loop-timed
Channelized DS3/E3	Yes	loop-timed
Channelized ASAP OC-12	Yes	loop-timed
Channelized ASAP OC-3	Yes	loop-timed
Channelized ASAP DS3/E3	Yes	loop-timed
CES OC-3	Yes	loop-timed

- Parameters**
- loop-timed** — The link recovers the clock from the received data stream.
 - node-timed** — The link uses the internal clock when transmitting data.
 - adaptive** — The clock is adaptively recovered from the rate at which data is received and not from the physical layer. Adaptive timing is only supported on ds1 and e1 channels.
 - differential** — The clock is recovered from differential RTP timestamp header.

CRC

Syntax `crc {16 | 32}`

Context
config>port>tdm>ds1>channel-group
config>port>tdm>ds3
config>port>tdm>e1>channel-group
config>port>tdm>e3

Description This command configures the precision of the cyclic redundancy check (CRC).

Default 16 for non-ATM channel groups configured under DS-1, E-1 and for non-ATM E-3 and DS-3 channel/ports. 32 for ATM channel-groups configured under DS-1 and E-1, and for ATM E-3 and DS-3 channels/ports. The default cannot be changed.

- Parameters**
- 16** — Use 16 bit checksum for the associated port/channel.
 - 32** — Use 32 bit checksum for the associated port/channel.

down-count

Syntax `down-count down-count`
`no down-count`

Context config>port>sonet-sdh>path>cisco-hdlc

```

config>port>tdm>ds1>channel-group>cisco-hdlc
config>port>tdm>ds3>cisco-hdlc
config>port>tdm>e1>channel-group>cisco-hdlc
config>port>tdm>e3>cisco-hdlc

```

Description This command configures the number of keepalive intervals that must pass without receiving a keepalive packet before the link is declared down. It is expected that the nodes at the two endpoints of the cHDLC link are provisioned with the same values.

Default 3

down-count — Specifies the number of keep alive intervals that must pass without receiving a keep alive packet before the link is declared down.

Values 3 — 16

encap-type

Syntax **encap-type** {atm | bcp-null | bcp-dot1q | ipcp | ppp-auto | frame-relay | wan-mirror |cisco-hdlc| cem}

Context config>port>tdm>ds1>channel-group
 config>port>tdm>ds3
 config>port>tdm>e1>channel-group
 config>port>tdm>e3

Description This command configures the encapsulation method used to on the specified port, path, or channel. This parameter can be set on both access and network ports.

When the **encap-type** is set to ATM the CRC, timeslots, scrambling (if applicable), and idle-cycle-flags are set to ATM defaults respectively. When the encap-type is changed from ATM, those parameters are set to their non-ATM defaults.

When the **encap-type** is ATM, ATM sub-layer verification (GR-1248-CORE, *Generic Requirements for Operations of ATM Network Elements (NEs)*) is automatically enabled. When ATM PLCP cell mapping is used, the results of this verification include:

- PLCP Severely Errored Framing Seconds
- PLCP Alarm State
- PLCP Unavailable Seconds Counter

When ATM direct cell mapping is used, the result of the verification includes:

- Out of Cell Delineation (OCD) event count. The OCD event count is described in RFC 2515, *Definitions of Managed Objects for ATM Management*. Note that multiple events occurring within a second will be counted as 1 event for ASAP MDAs as a result of a hardware limit.
- Loss of Cell Delineation defect/alarm. The LCD defect/alarm is defined in RFC 2515, *Definitions of Managed Objects for ATM Management*. When a path is in an LCD defect state, the path's operational status will be down. When a path exits the LCD state, the path's operational status will change to up (assuming nothing else causes the path to stay down). A trap is raised to indicate the LCD status change. Also, a P-RDI is sent to indicate the defect to the remote end.

TDM Commands

The **no** form of this command restores the default.

Default **bcp-null**

Parameters

atm — Specifies the encapsulation on the port is ATM.

bcp-null — When selected, this keyword specifies that only a single service is configured on this channel and IEEE 802.1Q tags are not used as a service delimiter. Any IEEE 802.1Q tags encountered are regarded as part of the customer payload and transparently forwarded. When bcp-null encapsulation is specified, the PPP Bridge Control Protocol (BCP) is activated and all packets on this access port will be encapsulated in accordance with the BCP protocol.

bcp-dot1q — When selected, this keyword specifies that ingress frames carry IEEE 802.1Q tags and the tags are used as service delimiter. Any untagged packets are silently discarded with exception of protocol specific packets. When bcp-dot1q encapsulation is specified, the PPP Bridge Control Protocol (BCP) is activated and all packets on this access port will be encapsulated in accordance with the BCP protocol.

ipcp — Ingress frames are encapsulated according to the IP Control Protocol. When ipcp encapsulation is specified, the PPP IP Control Protocol will be activated and only packets that comply with IPCP encapsulation are processed; others are silently discarded.

ppp-auto — (Network mode) Enables PPP on the associated port/channel. The activation of ipcp and mplscp is automatically enabled depending on the protocol configuration. This encap type is only valid on ports/channels in network mode.

frame-relay — Enables frame relay on the associated port/channel.

wan-mirror — The port is used for mirroring of frame-relay and POS ports. On these ports, no link management protocol will run.

cisco-hdlc — Monitors line status on a serial interface by exchanging keepalive request messages with peer network devices.

cem — On circuit emulation CMAs and MDAs, only the **cem** encap-type is supported. All other values are blocked with an appropriate warning. The **cem** encap-type is not supported on other CMAs and MDAs and are blocked with an appropriate warning.

feac-loop-respond

Syntax **[no] feac-loop-respond**

Context config>port>tdm>ds3
config>port>tdm>e3

Description

This command enables the associated DS-3 interface to respond to remote loop signals.

The DS-3 far-end alarm and control (FEAC) signal is used to send alarm or status information from the far-end terminal back to the local terminal. DS-3 loopbacks at the far-end terminal from the local terminal are initiated.

The **no** form of this command prevents the associated DS-3/E-3 interface from responding to remote loop signals.

Default no feac-loop-respond

framing (DS-1)

Syntax framing {**esf** | **sf** | **unframed-ds1**}

Context config>port>>tdm>ds1

Description This command specifies the DS-1 framing to be used with the associated channel.

Default DS1: esf

Parameters **esf** — Configures the DS-1 port for extended super frame framing.

sf — Configures the DS-1 port for super frame framing.

unframed-ds1 — Specifies ds-1 unframed (G.703) mode for DS-1 interfaces. This parameter allows the configuration of an unstructured DS-1 channel on a CES MDA. In G.704, timeslot 0 is used to carry timing information by a service provider, thus, only 31 slots are made available to the end user. In G.703, all 32 time slots are available to the end user. Timing is provided by the end user. When an e1-unframed channel is shutdown, it sends the AIS pattern to the far-end DS-1 which does not react. The operational status remains up and no alarms are generated while the near-end (shutdown) is operationally down. This is normal behavior since the G.703 option does not have framing. G.703 framing is only applicable for FR, PPP, and C-HDLC encapsulations.

framing (E-1)

Syntax framing {**no-crc-g704** | **g704** | **e1-unframed**}

Context config>port>tdm>e1

Description This command specifies the E-1 framing to be used with the associated channel .

Default g704

Parameters **g704** — Configure the E-1 port for G.704 framing.

no-crc-g70 — Configures the E-1 for G.704 with no CRC4.

e1-unframed — Specifies E-1 unframed (G.703) mode for E-1 interfaces. This parameter also allows the configuration of an unstructured E-1 channel on an ASAP or CES MDA. In G.704, timeslot 0 is used to carry timing information by a service provider, thus, only 31 slots are made available to the end user. In G.703, all 32 time slots are available to the end user. Timing is provided by the end user. When an e1-unframed channel is shutdown, it sends the AIS pattern to the far-end E-1 which does not react. The operational status remains up and no alarms are generated while the near-end (shutdown) is operationally down. This is normal behavior since the G.703 option does not have framing. G.703 framing is only applicable for FR, PPP, and CHDLC and CEM encapsulations.

framing (DS3)

Syntax	framing {c-bit m23 unframed-ds3}
Context	config>port>tdm>ds3
Description	This command specifies DS-3 framing for the associated DS-3 port or channel.
Default	c-bit
Parameters	<p>c-bit — Configures the DS-3 port/channels for C-Bit framing.</p> <p>m23 — Configures the DS-3 port/channel for M23 framing.</p> <p>unframed-ds1 — Specifies ds-3 unframed mode for DS-3 interfaces. This parameter allows the configuration of an unstructured DS-3 channel on a CES MDA.</p>

framing (E-3)

Syntax	framing {g751 g832 unframed-e3}
Context	config>port>tdm>e3
Description	This command specifies E-3 framing for the associated E-3 port or channel.
Default	<p>E-3 non-ATM: g751 and cannot be changed.</p> <p>E-3 ATM: g832 and cannot be changed.</p>
Parameters	<p>g751 — Configures the E-3 port/channel for g751 framing.</p> <p>g832 — Configures the E-3 port/channel for g832 framing.</p> <p>unframed-e3 — Specifies e-3 unframed mode for E-3 interfaces. This parameter allows the configuration of an unstructured E-3 channel on a CES MDA.</p>

idle-cycle-flag

Syntax	idle-cycle-flag {flags ones}
Context	<pre>config>port>tdm>ds1>channel-group config>port>tdm>ds3 config>port>tdm>e1 config>port>tdm>e1>channel-group config>port>tdm>e3</pre>
Description	<p>This command configures the value that the HDLC TDM DS-0, E-1, E-3, DS-1, or DS-3 interface transmits during idle cycles. For ATM ports/channels/channel-groups, the configuration does not apply and only the no form is accepted.</p> <p>The no form of this command reverts the idle cycle flag to the default value.</p>
Default	flags (0x7E)

no flags (ATM)

- Parameters**
- flags** — Specifies that 0x7E is used as the idle cycle flag.
 - ones** — Specifies that 0xFF is used as the idle cycle flag.

idle-payload-fill

Syntax

```
idle-payload-fill pattern pattern
no idle-payload-fill
idle-payload-fill {all-ones}
```

Context

```
config>port>tdm>ds1>channel-group
config>port>tdm>e1>channel-group
```

Description This command defines the data pattern to be transmitted when the circuit emulation service is not operational or temporarily experiences under-run conditions. This command is only valid for cesopsn and cesopsn-cas circuit emulation services. It is blocked with a warning for unstructured (satop) circuit emulation services.

Default all-ones

- Parameters**
- all-ones** — Defines the 8 bit value to be transmitted as 11111111.
 - pattern* — Transmits a user-defined pattern.

idle-signal-fill

Syntax

```
idle-signal-fill {all-ones}
idle-signal-fill pattern pattern
no idle-signal-fill
```

Context

```
config>port>tdm>ds1>channel-group
config>port>tdm>e1>channel-group
```

Description This command defines the signaling pattern to be transmitted when the circuit emulation service is not operational or temporarily experiences under-run conditions. This command is only valid for cesopsn-cas circuit emulation services. It is blocked with a warning for unstructured (satop) and basic cesopsn circuit emulation services.

Default all-ones

- Parameters**
- all-ones** — Defines the 8 bit value to be transmitted as 11111111.
 - pattern* — Transmits a user-defined pattern.

insert-single-bit-error

Syntax	insert-single-bit-error
Context	config>port>tdm>ds1 config>port>tdm>e1
Description	This command inserts a single bit error for the BERT test.
Default	no bit-error-insertion

invert-data

Syntax	[no] invert-data
Context	config>port>tdm>ds1 config>port>tdm>e1
Description	This command causes all data bits to be inverted, to guarantee ones density. Typically used with AMI line encoding.
Default	no invert-data

loopback

Syntax	loopback {line internal fdl-ansi fdl-bellcore payload-ansi inband-ansi inband-bellcore} no loopback
Context	config>port>tdm>ds1 config>port>tdm>e1
Description	This command puts the specified port or channel into a loopback mode. The corresponding port or channel must be in a shutdown state in order for the loopback mode to be enabled. The upper level port or channel or parallel channels should not be affected by the loopback mode. NOTE: This command is not saved in the router configuration between boots. The no form of this command disables the specified type of loopback.
Default	no loopback
Parameters	line — Places the associated port or channel into a line loopback mode. A line loopback loops frames received on the corresponding port or channels back to the remote router. internal — Places the associated port or channel into a internal loopback mode. A internal loopback loops the frames from the local router back at the framer. fdl-ansi — Requests FDL line loopback according to ANSI T1.403. fdl-bellcore — Requests FDL line loopback according to Bellcore TR-TSY-000312.

payload-ansi — Requests payload loopback using ANSI signaling.

inband-ansi — Requests inband line loopback according to ANSI T1.403.

inband-bellcore — Requests inband line loopback according to Bellcore signaling.

loopback

Syntax **loopback** {**line** | **internal** | **remote**}
no loopback

Context config>port>tdm>e3
config>port>tdm>ds3

Description This command puts the specified port or channel into a loopback mode. The corresponding port or channel must be in a shutdown state in order for the loopback mode to be enabled. The upper level port or channel or parallel channels should not be affected by the loopback mode.
NOTE: This command is not saved in the router configuration between boots. The **no** form of this command disables the specified type of loopback.

Default no loopback

Parameters **line** — Places the associated port or channel into a line loopback mode. A line loopback loops frames received on the corresponding port or channels back to the remote router.
internal — Places the associated port or channel into a internal loopback mode. A internal loopback loops the frames from the local router back at the framer.
remote — Sends a signal to the remote device to provide a line loopback.

mdl

Syntax **mdl** {**eic** | **lic** | **fic** | **unit** | **pfi** | **port** | **gen**} *mdl-string*
no mdl

Context config>port>tdm>ds3

Description This command configures the maintenance data link (MDL) message for a DS-3/E-3. This command is only applicable if the DS-3/E-3 is using C-bit framing (see the **framing (DS3)** command). The **no** form of this command removes the MDL string association and stops the transmission of any IDs.

Default no mdl

Parameters *mdl-string* — specify an MDL message up to 38 characters long on a DS-3.
eic — Specifies the equipment ID code up to 10 characters long.
lic — Specifies the equipment ID code up to 11 characters long.
fic — Specifies the ID code up to 10 characters long.

TDM Commands

unit — Specifies the unit ID code up to 6 characters long.

pfi — Specifies the facility ID code up to 38 characters long.

port — Specifies the port ID code up to 38 characters long.

gen — Specifies the generator number to send in the MDL test signal message up to 38 characters long.

mdl-transmit

Syntax **mdl-transmit** {**path** | **idle-signal** | **test-signal**}
no mdl-transmit [**path** | **idle-signal** | **test-signal**]

Context config>port>tdm>ds3
config>port>tdm>e3

Description This command enables the transmission of an MDL message on a DS-3/E-3 over channelized interface. The **no** form of this command disables transmission of the specified message or all messages.

Default no mdl-transmit

Parameters **path** — Specify the MDL path message.
idle-signal — Specify the MDL idle signal message.
test-signal — Specify the MDL test signal message.

remote-loop-respond

Syntax [**no**] **remote-loop-respond**

Context config>port>tdm>ds1

Description When abled, the channel responds to requests for remote loopbacks.

Default no remote-loop-respond — The port will not respond.

report-alarm

Syntax [**no**] **report-alarm** [**ais**] [**los**] [**oof**] [**rai**] [**looped**] [**ber-sd**] [**ber-sf**]

Context config>port>tdm>ds1
config>port>tdm>e1

Description This command enables logging of DS-1/DS-3 or E-1/E-3 alarms for DS-1/DS-3 or E-1/E-3 ports or channels.

The **no** form of this command disables logging of the specified alarms.

Parameters	<p>ais — Reports alarm indication signal errors. When configured, ais alarms are not raised and cleared.</p> <p>Default ais alarms are issued</p> <p>los — Reports loss of signal errors. When configured, los traps are not raised and cleared.</p> <p>Default los traps are issued.</p> <p>oof — Reports out-of-frame errors. When configured, oof alarms are not raised and cleared.</p> <p>Default oof alarms are not issued.</p> <p>rai — Reports resource availability indicator events. When configured, rai events are not raised and cleared.</p> <p>Default rai alarms are not issued</p> <p>looped — Reports looped packets errors.</p> <p>looped alarms are not issued</p> <p>lof — Reports loss of frame errors. When configured, lof traps are not raised and cleared.</p> <p>Default lof traps are issued</p> <p>Default</p>
-------------------	--

signal-mode

Syntax	<p>signal-mode {cas}</p> <p>no signal-mode</p>
Context	<p>config>port>tdm>ds1</p> <p>config>port>tdm>e1</p>
Description	<p>This command activates the signal mode on the channel. When enabled, it uses routing information to direct the payload of voice or data to its destination.</p> <p>The no form of the command reverts to the default value.</p>
Default	no signal-mode
Parameters	cas — Specifies channel associated signaling.

speed

Syntax	speed { 56 64 }
Context	<p>config>port>tdm>ds1>channel-group</p> <p>config>port>tdm>e1>channel-group</p>
Description	<p>This command sets the speed of the DS-0 channels used in the associated channel-group.</p> <p>If the higher order channel is a channelized DS-3 then the channels must be DS-1s.</p> <p>If the higher order channel is a channelized E-3 then the channels must be E-1s.</p>

TDM Commands

Default 64

Parameters **56** — Specifies that 56k byte (7-bits per byte) encoding will be used for the associated DS-0 channels.
64 — Specifies that 64k byte (8-bits per byte) encoding will be used for the associated DS-0 channels.

subrate

Syntax **subrate** {**digital-link**} *rate-step*
no subrate

Context config>port>tdm>ds3

Description This command configures the channel service unit (CSU) compatibility mode to interoperate with existing DS-3 subrate standards.

This configuration applies only for non-channelized DS-3s. This command is not supported on channelized ASAP MDAs.

The **no** form of this command remove the subrate functionality.

Default no subrate

Parameters *digital-link* — Enables the Digital-Link (Quick Eagle) CSU compatibility mode.
rate-step — Specify the subrate value for the associated DS-3.

Values 1 — 147

threshold

Syntax **threshold** {**ber-sd** | **ber-sf**} **rate** {**1** | **5** | **10** | **50** | **100**}
no threshold {**ber-sd** | **ber-sf**}

Context config>port>tdm>ds1
config>port>tdm>e1

Description This command configures the line signal degradation bit error rate (BER) and line signal failure thresholds.

Line signal (b2) bit interleaved parity error rates are measured and when they cross either the degradation or failure thresholds alarms are raised (see the report-alarm line & section command), furthermore if the failure threshold is crossed the link will be set to operationally down.

The **no** form of this command reverts to the default value.

Default threshold ber-sd rate 5
threshold ber-sf rate 50

Parameters **ber-sd** — Specifies the BER that specifies signal degradation.
ber-sf — Specifies the BER that specifies signal failure.
rate — Specifies the number of errors, in millions.

timeslots

Syntax `timeslots timeslots`
`no timeslots`

Context `config>port>tdm>ds1>channel-group`
`config>port>tdm>e1>channel-group`

Description This command defines the list of DS-0 timeslots to be used in the DS-1 or E-1 channel-group. The timeslots are defaulted as defined below when encap-type is set **to/from atm**. ATM channel groups do not allow timeslots to change.

The **no** form of this command removes DS-0 timeslots from a channel group.

Default `no timeslots` — Non-ATM channel groups. 1-24 — Channel groups configured under DS-1 with encap set to ATM.
 2-16,18-32 — Channel groups configured under E-1 with encap set to ATM.

Description *timeslots* — Specifies the timeslot(s) to be associated with the channel group. The value can consist of a list of timeslots. Each member of the list can either be a single timeslot or a range of timeslots.

Values 1 — 24 for DS-1 interfaces (the full range is auto-configured for ATM channel groups and cannot be changed).
 2 — 32 for E-1 interfaces (the 2 — 16,18 — 32 ranges are auto-configured for ATM channel groups and cannot be changed).

LAG Commands

lag

Syntax [no] lag [*lag-id*]

Context config

Description This command creates the context for configuring Link Aggregation Group (LAG) attributes.

A LAG can be used to group multiple ports into one logical link. The aggregation of multiple physical links allows for load sharing and offers seamless redundancy. If one of the links fails, traffic will be redistributed over the remaining links.

NOTE: All ports in a LAG group must have autonegotiation set to Limited or Disabled.

There are three possible settings for autonegotiation:

- “on” or enabled with full port capabilities advertised
- “off” or disabled where there is no autonegotiation advertisements
- “limited” where a single speed/duplex is advertised.

When autonegotiation is enabled on a port, the link attempts to automatically negotiate the link speed and duplex parameters. If autonegotiation is enabled, the configured duplex and speed parameters are ignored.

When autonegotiation is disabled on a port, the port does not attempt to autonegotiate and will only operate at the **speed** and **duplex** settings configured for the port. Note that disabling autonegotiation on gigabit ports is not allowed as the IEEE 802.3 specification for gigabit Ethernet requires autonegotiation be enabled for far end fault indication.

If the **autonegotiate limited** keyword option is specified the port will autonegotiate but will only advertise a specific speed and duplex. The speed and duplex advertised are the **speed** and **duplex** settings configured for the port. One use for limited mode is for multispeed gigabit ports to force gigabit operation while keeping autonegotiation is enabled for compliance with IEEE 801.3.

The system requires that autonegotiation be disabled or limited for ports in a LAG to guarantee a specific port speed.

The **no** form of this command deletes the LAG from the configuration. Deleting a LAG can only be performed while the LAG is administratively shut down. Any dependencies such as IP-Interfaces configurations must be removed from the configuration before issuing the **no lag** command.

Default No LAGs are defined.

Parameters *lag-id* — The LAG identifier, expressed as a decimal integer.

Values 1 — 64

access

Syntax `access`

Context `config>lag`

Description This command enables the context to configure access parameters.

adapt-qos

Syntax `adapt-qos type`

Context `config>lag>access`

Description This command specifies how the LAG SAP queue and virtual scheduler buffering and rate parameters are adapted over multiple active MDAs. This command applies only to access LAGs.

Default `distribute`

Parameters *type* — Specify the QoS adaptation type.

Values

- link** — Specifies that the LAG will create the SAP queues and virtual schedulers with the actual parameters on each LAG member port.
- distribute** — Creates an additional internal virtual scheduler per IOM as parent of the configured SAP queues and virtual schedulers per LAG member port on that IOM. This internal virtual scheduler limits the total amount of egress bandwidth for all member ports on the IOM to the bandwidth specified in the egress qos policy.

dynamic-cost

Syntax `[no] dynamic-cost`

Context `config>lag lag-id`

Description This command enables OSPF/ISIS costing of a Link Aggregation Group (LAG) based on the available aggregated, operational bandwidth.

The path cost is dynamically calculated based on the interface bandwidth. OSPF path cost can be changed through the interface metric or the reference bandwidth.

If dynamic cost is configured, then costing is applied based on the total number of links configured and the cost advertised is inversely proportional to the number of links available at the time. This is provided that the number of links that are up exceeds the configured LAG threshold value at which time the configured threshold action determines if, and at what cost, this LAG will be advertised.

For example:

Assume a physical link in OSPF has a cost associated with it of 100, and the LAG consists of four physical links. The cost associated with the logical link is 25. If one link fails then the cost would automatically be adjusted to 33.

LAG Commands

If dynamic cost is not configured and OSPF autocost is configured, then costing is applied based on the total number of links configured. This cost will remain static provided the number of links that are up exceeds the configured LAG threshold value at which time the configured threshold action determines if and at what cost this LAG will be advertised.

If dynamic-cost is configured and OSPF autocost is not configured, the cost is determined by the cost configured on the OSPF metric provided the number of links available exceeds the configured LAG threshold value at which time the configured threshold action determines if this LAG will be advertised.

If neither dynamic-cost nor OSPF autocost are configured, the cost advertised is determined by the cost configured on the OSPF metric provided the number of links available exceeds the configured LAG threshold value at which time the configured threshold action determines if this LAG will be advertised.

The **no** form of this command removes dynamic costing from the LAG.

Default no dynamic-cost

encap-type

Syntax **encap-type** {dot1q | null | qinq}
no encap-type

Context config>lag

Description This command configures the encapsulation method used to distinguish customer traffic on a LAG. The encapsulation type is configurable on a LAG port. The LAG port and the port member encapsulation types must match when adding a port member.

If the encapsulation type of the LAG port is changed, the encapsulation type on all the port members will also change. The encapsulation type can be changed on the LAG port only if there is no interface associated with it. If the MTU is set to a non default value, it will be reset to the default value when the encap type is changed.

The **no** form of this command restores the default.

Default **null** — All traffic on the port belongs to a single service or VLAN.

Parameters **dot1q** — Ingress frames carry 802.1Q tags where each tag signifies a different service.

null — Ingress frames will not use any tags to delineate a service. As a result, only one service can be configured on a port with a null encapsulation type.

qinq — Specifies QinQ encapsulation.

hold-time

Syntax **hold-time down** *hold-down-time*
no hold-time

Context config>lag

Description This command specifies the timer, in tenths of seconds, which controls the delay between detecting that a LAG is down (all active ports are down) and reporting it to the higher levels.

A non-zero value can be configured, for example, when active/standby signalling is used in a 1:1 fashion to avoid informing higher levels during the small time interval between detecting that the LAG is down and the time needed to activate the standby link.

Default 0

Parameters **down** *hold-down-time* — Specifies the hold-time for event reporting

Values 0 — 2000

lacp

Syntax **lacp** [*mode*] [**administrative-key** *admin-key*] [**system-id** *system-id*][**system-priority** *priority*]

Context config>lag

Description This command specifies the LACP mode for aggregated Ethernet interfaces only. This command enables the LACP protocol. Per the IEEE 802.3ax standard (formerly 802.3ad), the Link Aggregation Control Protocol (LACP) provides a standardized means for exchanging information between Partner Systems on a link to allow their Link Aggregation Control instances to reach agreement on the identity of the Link Aggregation Group to which the link belongs, move the link to that Link Aggregation Group, and enable its transmission and reception functions in an orderly manner.

Default no lacp

Parameters *mode* — Specifies the mode in which LACP will operate.

Values **passive** — Starts transmitting LACP packets only after receiving packets.

active — Initiates the transmission of LACP packets.

power-off — Disables transmitter of standby ports.

administrative-key *admin-key* — Specifies an administrative key value to identify the channel group on each port configured to use LACP. This value should be configured only in exceptional cases. If it is not specified, a random key is assigned.

Values 1 — 65535

lacp-xmit-interval

Syntax **lacp-xmit-interval** {**slow** | **fast**}

Context config>lag

Description This command specifies the interval signaled to the peer and tells the peer at which rate it should transmit.

Default fast

Parameters **slow** — Transmits packets every 30 seconds.

fast — Transmits packets every second.

lacp-xmit-stdby

Syntax [no] lacp-xmit-stdby

Context config>lag

Description This command enables LACP message transmission on standby links.

The **no** form of this command disables LACP message transmission. This command should be disabled for compatibility when using active/standby groups. This forces a timeout of the standby links by the peer. Use the **no** form if the peer does not implement the correct behavior regarding the lacp sync bit.

Default lacp-xmit-stdby

port

Syntax port port-id [port-id ...] [priority priority] [subgroup sub-group-id]
no port port-id [port-id ...]

Context config>lag lag-id

Description This command adds ports to a Link Aggregation Group (LAG).

The port configuration of the first port added to the LAG is used as a basis to compare to subsequently added ports. If a discrepancy is found with a newly added port, that port will be not added to the LAG.

Multiple (space separated) ports can be added or removed from the LAG link assuming the maximum of number of ports is not exceeded.

All ports, when added to a LAG, must share the same characteristics (speed, duplex, etc.). An error message will be displayed when adding ports that do not share the same characteristics. Hold-timers down must be 0. Ports that are part of a LAG must be configured with autonegotiate limited or disabled.

The **no** form of this command removes ports from the LAG.

Default No ports are defined as members of a LAG.

Parameters port-id — The port ID configured or displayed in the slot/mda/port format.

priority priority — Port priority used by LACP. The port priority is also used to determine the primary port. The port with the lowest priority is the primary port. In the event of a tie, the smallest port ID becomes the primary port.

Values 1 — 65535

subgroup sub-group-id — This parameter identifies a LAG subgroup. When using subgroups in a LAG, they should only be configured on one side of the LAG, not both. Only having one side perform the active/standby selection will guarantee a consistent selection and fast convergence. The active/standby selection will be signalled through LACP to the other side. The hold time should be configured when using subgroups to prevent the LAG going down when switching between active and standby links in case no links are usable for a short time, especially in case a subgroup consists of one member.

Values 1 — 8 identifies a LAG subgroup.
 The **auto-iom** subgroup is defined based on the CFM (all ports of the same CFM are assigned to the same subgroup).
 The **auto-md** subgroup is defined based on the MDA.

port-threshold

Syntax **port-threshold** *value* [**action** {**dynamic-cost** | **down**}
no port-threshold

Context config>lag *lag-id*

Description This command configures the behavior for the Link Aggregation Group (LAG) if the number of operational links is equal to or below a threshold level.

The **no** form of this command reverts to the default values.

Default 0 action down

Parameters *value* — The decimal integer threshold number of operational links for the LAG at or below which the configured action will be invoked. If the number of operational links exceeds the port-threshold value, any action taken for being below the threshold value will cease.

Values 0 — 15

action {**dynamic-cost** | **down**} — Specifies the action to take if the number of active links in the LAG is at or below the threshold value.

When the **dynamic-cost** action is specified, then dynamic costing will be activated. As a result the LAG will remain operationally up with a cost relative to the number of operational links. The link will only be regarded as operationally down when all links in the LAG are down.

When the **down** action is specified, then the LAG will be brought operationally down if the number of operational links is equal to or less than the configured threshold value. The LAG will only be regarded as up once the number of operational links exceeds the configured threshold value.

port-type

Syntax **port-type** {**standard** | **hsmda**}
no port-type

Context config>lag

Description This command specifies the type of ports allowed in this LAG.

Parameters **standard** — Allows all non-HSMDA type ports to be added to this LAG.
hsmda — Limits the LAG members to be high-speed MDA (HSMDA) ports only.

selection-criteria

Syntax	selection-criteria [highest-count highest-weight] [slave-to-partner] no selection-criteria
Context	config>lag
Description	This command specifies which selection criteria should be used to select the active sub-group.
Default	highest-count
Parameters	<p>highest-count — Specifies sub-group with the highest number of eligible members.</p> <p>highest-weight — Specifies sub-group with the highest aggregate weight.</p> <p>best-port — Selection criteria used with "power-off" mode of operation. The sub-group containing the port with highest priority port. In case of equal port priorities the sub-group containing the port with the lowest port-id is taken</p> <p>slave-to-partner — The slave-to-partner keyword specifies that it, together with the selection criteria, should be used to select the active sub-group. An eligible member is a lag-member link which can potentially become active. This means it is operationally up (not disabled) for use by the remote side. The slave-to-partner parameter can be used to control whether or not this latter condition is taken into account.</p>

standby-signalling

Syntax	standby-signalling { lacp power-off } no standby-signalling
Context	config>lag
Description	This command specifies how the state of a member port is signalled to the remote side when the status corresponding to this member port has the standby value.

sub-ring

Syntax **sub-ring** {**virtual-link** | **non-virtual-link**}
no sub-ring

Context config>eth-ring>sub-ring

This command additionally specifies this ring-id to be sub-ring as defined in G.80312. By declaring this ring as a sub-ring object, this ring will only have one valid path and the sub-ring will be connected to a major ring or a VPLS instance. The virtual-link parameter declares that a sub-ring is connected to another ring and that control messages can be sent over the attached ring to the other side of the sub-ring. The non-virtual channel parameter declares that a sub-ring may be connected to a another ring or to a VPLS instance but that

no control messages from the sub-ring use the attached ring or VPLS instance. The non-virtual channel behavior is standard G.8032 capability.

The no form of this command deletes the sub-ring and its virtual channel associations.

Default no sub-ring

Parameters *virtual-link* — Specifies the interconnection is to a ring and a virtual link will be used.

non-virtual-link — Specifies the interconnection is to a ring or a VPLS instance and a virtual link will not be used.

compatible-version

Syntax **compatible-version** *value*
compatible-version

Context config>eth-ring

This command configures eth-ring compatibility version for the G.8032 state machine and messages . The default is version 2 and all 7x50 switches use version 2. If there is a need to interwork with third party devices that only support version 1 this can be set to version 1.

The [no] form of this command set the compatibility version to 2.

Default 2

Parameters *value* — The version 2 of the G.8032 state machine.

interconnect

Syntax **interconnect** {ring-id *ring-id* | vpls}
interconnect

Context config>eth-ring>sub-ring>interconnect

This command links the G.8032 sub-ring to a ring instance or to a VPLS instance. The ring instance must be a complete ring with two paths but may itself be a sub-ring or a major ring (declared by its configuration on another node) . When the interconnection is to another node, the sub-ring may have a virtual link or a non-virtual-link. When the sub-ring has been configured with a non-virtual link, the sub ring may be alternatively be connected to a VPLS service. This command is only valid on the interconnection node where a single sub-ring port connects to a major ring or terminates on a VPLS service.

The **no** form of this command removes interconnect node.

Default no interconnect

Parameters *ring-id* — Specifies the ring instance of the connection ring for this sub-ring on this node. .

vpls — Specifies that the sub- ring is connected to the VPLS instance that contains the sub-ring SAP.

Values *ring-id*: 0-512

propagate-topology-change

Syntax **propagate-topology-change**
 no interconnect

Context config>eth-ring>propagate-topology-change

This command configures the G.8032 sub-ring to propagate topology changes. From the sub-ring to the major ring as specified in the G.8032 interconnection flush logic. This command is only valid on the sub-ring and on the interconnection node. Since this command is only valid on a Sub-ring, a virtual link or non-virtual link must be specified for this command to be configured. The command is blocked on major rings (when both path a and b are specified on a ring).

The **no** form of this command sets propagate to the default

Default no propagate-topology-change

Multi-Chassis Redundancy Commands

redundancy

Syntax `redundancy`

Context `config`

Description This command allows the user to perform redundancy operations. Associated commands include the following in the **admin>redundancy** context:

force-switchover — Forces a switchover to the standby CFM card.

now — Switch to standby CFM.

NOTE: Switching to the standby displays the following message.

```
WARNING: Configuration and/or Boot options may have changed since the last save.
Are you sure you want to switchover (y/n)?
```

synchronize — Synchronizes the secondary CFM.

Values `<boot-env/config>` : keywords

Refer to the 7710 SR OS Basic System Configuration Guide.

synchronize

Syntax `synchronize {boot-env | config}`

Context `config>redundancy`

Description This command performs a synchronization of the standby CFM's images and/or config files to the active CFM. Either the **boot-env** or **config** parameter must be specified.

In the **config>redundancy** context, this command performs an automatically triggered standby CFM synchronization.

When the standby CFM takes over operation following a failure or reset of the active CFM, it is important to ensure that the active and standby CFMs have identical operational parameters. This includes the saved configuration, CPM and IOM images. This includes the saved configuration, CPM and IOM images. This includes the saved configuration and CFM images.

The active CFM ensures that the active configuration is maintained on the standby CFM. However, to ensure smooth operation under all circumstances, runtime images and system initialization configurations must also be automatically synchronized between the active and standby CFM.

If synchronization fails, alarms and log messages that indicate the type of error that caused the failure of the synchronization operation are generated. When the error condition ceases to exist, the alarm is cleared.

Multi-Chassis Redundancy Commands

Only files stored on the router are synchronized. If a configuration file or image is stored in a location other than on a local compact flash, the file is not synchronized (for example, storing a configuration file on an FTP server).

Default enabled

Parameters **boot-env** — Synchronizes all files required for the boot process (loader, BOF, images, and configuration files).

config — Synchronize only the primary, secondary, and tertiary configuration files.

Default config

bgp-multi-homing

Syntax **bgp-multi-homing**

Context config>redundancy

Description This command configures BGP multi-homing parameters.

boot-timer

Syntax **boot-timer** *seconds*
no boot-timer

Context config>redundancy>bgp-mh

Description This command specifies how long the service manager waits after a node reboot before running the MH procedures. The boot-timer value should be configured to allow for the BGP sessions to come up and for the NLRI information to be refreshed/exchanged. The boot-timer is activated after the no shutdown command for a MH site executed from configuration. Upon activation, the boot-timer is compared with the system up-time for the node. If the boot timer is higher than the up-time, then the service manager waits for the boot-timer-sys-up-time, then starts the site-activation-timer.

The no form of this command sets the value to 10.

Default 10 sec

Parameters *seconds* — Specifies the timer, in seconds.

Values 1..100

site-activation-timer

Syntax **site-activation-timer** *seconds*
no site-activation-timer

Context config>redundancy>bgp-mh

Description This command defines the amount of time the service manager will keep the local sites in standby status, waiting for BGP updates from remote PEs before running the DF election algorithm to decide whether the site should be unblocked. The timer is started when one of the following event occurs only if the site is operationally up:

- Manual site activation using “no shutdown” at site-id level or at member object(s) level (for example, SAP(s) or PW(s))
- Site activation after a failure

The **no** form of this command sets the value to 2.

Default 2 seconds

Parameters *seconds* — Specifies the timer, in seconds.

Values 1..100

multi-chassis

Syntax **multi-chassis**

Context config>redundancy

Description This command enables the context to configure multi-chassis parameters.

peer

Syntax [**no**] **peer** *ip-address* **create**

Context config>redundancy>multi-chassis

Description Use this command to configure up to 20 multi-chassis redundancy peers. Note that is is only for mc-lag (20) not for mc-sync (4).

Parameters *ip-address* — Specifies the IP address.

Values

ipv4-address:	a.b.c.d
ipv6-address:	x:x:x:x:x:x:x (eight 16-bit pieces)
	x:x:x:x:x:d.d.d.d
	x: [0 — FFFF]H
	d: [0 — 255]D

create — Mandatory keyword specifies to create the peer.

authentication-key

Syntax **authentication-key** [*authentication-key* | *hash-key*] [**hash** | **hash2**]
no authentication-key

Context config>redundancy>multi-chassis>peer

Description This command configures the authentication key used between this node and the multi-chassis peer. The authentication key can be any combination of letters or numbers.

Parameters

- authentication-key* — Specifies the authentication key. Allowed values are any string up to 20 characters long composed of printable, 7-bit ASCII characters. If the string contains special characters (#, \$, spaces, etc.), the entire string must be enclosed within double quotes.
- hash-key* — The hash key. The key can be any combination of ASCII characters up to 33 (hash1-key) or 55 (hash2-key) characters in length (encrypted). If spaces are used in the string, enclose the entire string in quotation marks (“ ”).
- hash** — Specifies the key is entered in an encrypted form. If the hash or hash2 parameter is not used, the key is assumed to be in a non-encrypted, clear text form. For security, all keys are stored in encrypted form in the configuration file with the hash or hash2 parameter specified.
- hash2** — Specifies the key is entered in a more complex encrypted form that involves more variables than the key value alone, this means that hash2 encrypted variable cannot be copied and pasted. If the hash or hash2 parameter is not used, the key is assumed to be in a non-encrypted, clear text form. For security, all keys are stored in encrypted form in the configuration file with the hash or hash2 parameter specified.

MC Endpoint Commands

mc-endpoint

Syntax [no] mc-endpoint

Context config>redundancy>multi-chassis>peer

Description This command specifies that the endpoint is multi-chassis. This value should be the same on both MC-EP peers for the pseudowires that must be part of the same group.

The **no** form of this command removes the endpoint from the MC-EP. Single chassis behavior applies.

bfd-enable

Syntax [no] bfd-enable

Context config>redundancy>multi-chassis>peer>mc-ep
config>router>rsvp
config>router>bgp
config>router>bgp>group
config>router>bgp>group>neighbor
config>redundancy>multi-chassis>peer>mc-ep

Description This command enables the use of bi-directional forwarding (BFD) to control the state of the associated protocol interface. By enabling BFD on a given protocol interface, the state of the protocol interface is tied to the state of the BFD session between the local node and the remote node. The parameters used for the BFD are set via the BFD command under the IP interface.

The **no** form of this command disables BFD.

Default no bfd-enable

boot-timer

Syntax boot-timer *interval*
no boot-timer

Context config>redundancy>multi-chassis>peer>mc-ep

Description This command configures the boot timer interval. This command applies only when the node reboots. It specifies the time the MC-EP protocol keeps trying to establish a connection before assuming a failure of the remote peer. This is different from the keep-alives mechanism which is used just after the peer-peer communication was established. After this time interval passed all the mc-endpoints configured under services will revert to single chassis behavior, activating the best local PW.

The **no** form of this command sets the interval to default.

Multi-Chassis Redundancy Commands

Default 300

Parameters *interval* — Specifies the boot timer interval.

Values 1 — 600

hold-on-neighbor-failure

Syntax **hold-on-neighbor-failure** *multiplier*
no hold-on-neighbor-failure

Context config>redundancy>multi-chassis>peer>mc-ep

Description This command specifies the number of keep-alive intervals that the local node will wait for packets from the MC-EP peer before assuming failure. After this time interval passed the all the mc-endpoints configured under services will revert to single chassis behavior, activating the best local pseudowire.

The **no** form of this command sets the multiplier to default value

Default 3

Parameters *multiplier* — Specifies the hold time applied on neighbor failure.

Values 2 — 25

keep-alive-interval

Syntax **keep-alive-interval** *interval*
no keep-alive-interval

Context config>redundancy>multi-chassis>peer>mc-ep

Description This command sets the interval at which keep-alive messages are exchanged between two systems participating in MC-EP when bfd is not enabled or is down. These fast keep-alive messages are used to determine remote-node failure and the interval is set in deci-seconds.

The **no** form of this command sets the interval to default value

Default 5 (0.5s)

Parameters *interval* — The time interval expressed in deci-seconds.

Values 5 — 500 (tenths of a second)

passive-mode

Syntax [no] **passive-mode**

Context config>redundancy>multi-chassis>peer>mc-ep

Description This command configures the passive mode behavior for the MC-EP protocol. When in passive mode the MC-EP pair will be dormant until two of the pseudowires in a MC-EP will be signaled as active by the remote PEs, being assumed that the remote pair is configured with regular MC-EP. As soon as more than one pseudowire is active, dormant MC-EP pair will activate. It will use the regular exchange to select the best pseudowire between the active ones and it will block the Rx and Tx directions of the other pseudowires.

The **no** form of this command will disable the passive mode behavior.

Default no passive-mode

system-priority

Syntax **system-priority** *value*
no system-priority

Context config>redundancy>multi-chassis>peer>mc-ep

Description This command allows the operator to set the system priority. The peer configured with the highest value is chosen to be the Master. If system-priority are equal then the one with the lowest system-id (chassis MAC address) is chosen as the Master.

The **no** form of this command sets the system priority to default

Default 0

Parameters *value* — Specifies the priority assigned to the local MC-EP peer.

Values 1— 255

MC LAG Commands

mc-lag

Syntax [no] mc-lag

Context config>redundancy>multi-chassis>peer>mc-lag

Description This command enables the context to configure multi-chassis LAG operations and related parameters. The **no** form of this command administratively disables multi-chassis LAG. MC-LAG can be issued only when mc-lag is shutdown.

hold-on-neighbor-failure

Syntax hold-on-neighbor-failure *multiplier*
no hold-on-neighbor-failure

Context config>redundancy>multi-chassis>peer>mc-lag

Description This command specifies the interval that the standby node will wait for packets from the active node before assuming a redundant-neighbor node failure. This delay in switch-over operation is required to accommodate different factors influencing node failure detection rate, such as IGP convergence, or HA switch-over times and to prevent the standby node to take action prematurely. The **no** form of this command sets this parameter to default value.

Default 3

Parameters *multiplier* — The time interval that the standby node will wait for packets from the active node before assuming a redundant-neighbor node failure.

Values 2 — 25

keep-alive-interval

Syntax keep-alive-interval *interval*
no keep-alive-interval

Context config>redundancy>multi-chassis>peer>mc-lag

Description This command sets the interval at which keep-alive messages are exchanged between two systems participating in MC-LAG. These keep-alive messages are used to determine remote-node failure and the interval is set in deci-seconds.

The **no** form of this command sets the interval to default value

Default 1s (10 hundreds of milliseconds means interval value of 10)

Parameters *interval* — The time interval expressed in deci-seconds

Values 5 — 500

lag

Syntax **lag** *lag-id* **lACP-key** *admin-key* **system-id** *system-id* [**remote-lag** *remote-lag-id*] **system-priority** *system-priority* **source-bmac-lsb** *use-lACP-key*
lag *lag-id* **lACP-key** *admin-key* **system-id** *system-id* [**remote-lag** *remote-lag-id*] **system-priority** *system-priority* **source-bmac-lsb** *MAC-Lsb*
lag *lag-id* **lACP-key** *admin-key* **system-id** *system-id* [**remote-lag** *remote-lag-id*] **system-priority** *system-priority*
lag *lag-id* [**remote-lag** *remote-lag-id*]
no lag *lag-id*

Context config>redundancy>multi-chassis>peer>mc-lag

Description This command defines a LAG which is forming a redundant-pair for MC-LAG with a LAG configured on the given peer. The same LAG group can be defined only in the scope of 1 peer. In order MC-LAG to become operational, all parameters (**lACP-key**, **system-id**, **system-priority**) must be configured the same on both nodes of the same redundant pair.

The partner system (the system connected to all links forming MC-LAG) will consider all ports using the same **lACP-key**, **system-id**, **system-priority** as the part of the same LAG. In order to achieve this in MC operation, both redundant-pair nodes have to be configured with the same values. In case of the mismatch, MC-LAG is kept in oper-down status.

Note that the correct CLI command to enable MC LAG for a LAG in **standby-signaling power-off mode** is **lag** *lag-id* [**remote-lag** *remote-lag-id*]. In the CLI help output, the first three forms are used to enable MC LAG for a LAG in LACP mode. MC LAG is disabled (regardless of the mode) for a given LAG with **no lag** *lag-id*.

Default none

Parameters *lag-id* — The LAG identifier, expressed as a decimal integer. Specifying the *lag-id* allows the mismatch between *lag-id* on redundant-pair. If no **lag-id** is specified it is assumed that neighbor system uses the same *lag-id* as a part of the given MC-LAG. If no matching MC-LAG group can be found between neighbor systems, the individual LAGs will operate as usual (no MC-LAG operation is established.).

Values 1 — 64

lACP-key *admin-key* — Specifies a 16 bit key that needs to be configured in the same manner on both sides of the MC-LAG in order for the MC-LAG to come up.

Values 1 — 65535

system-id *system-id* — Specifies a 6 byte value expressed in the same notation as MAC address

Values xx:xx:xx:xx:xx:xx - xx [00..FF]

remote-lag *lag-id* — Specifies the LAG ID on the remote system.

Values 1 — 64

Multi-Chassis Redundancy Commands

system-priority *system-priority* — Specifies the system priority to be used in the context of the MC-LAG. The partner system will consider all ports using the same **lacp-key**, **system-id**, and **system-priority** as part of the same LAG.

Values 1 — 65535

source-bmac-lsb *MAC-Lsb* — Configures the last 16 bit of the MAC address to be used for all traffic ingressing the MC-LAG link(s) or if use-lacp-key option is used, it will only copy the value of lacp-key (redundancy multi-chassis mc-lag lag lacp-key admin-key). The command will fail if the *value* is the same with any of the following configured attributes:

- source-bmac-lsb assigned to other MC-LAG ports
- lsb 16 bits value for the source-bmac configured at chassis or BVPLS level

The first 32 bits will be copied from the source BMAC of the BVPLS associated with the IVPLS for a specific IVPLS SAP mapped to the MC-LAG. The BVPLS source BMAC can be provisioned for each BVPLS or can be inherited from the chassis PBB configuration.

Values 1 — 65535 or xx-xx or xx:xx

source-address

Syntax **source-address** *ip-address*
no source-address

Context config>redundancy>multi-chassis>peer

Description This command specifies the source address used to communicate with the multi-chassis peer.

Parameters *ip-address* — Specifies the source address used to communicate with the multi-chassis peer.

sync

Syntax [**no**] **sync**

Context config>redundancy>multi-chassis>peer

Description This command enables the context to configure synchronization parameters.

igmp

Syntax [**no**] **igmp**

Context config>redundancy>multi-chassis>peer>sync

Description This command specifies whether IGMP protocol information should be synchronized with the multi-chassis peer.

Default no igmp

igmp-snooping

Syntax	[no] igmp-snooping
Context	config>redundancy>multi-chassis>peer>sync
Description	This command specifies whether IGMP snooping information should be synchronized with the multi-chassis peer.
Default	no igmp-snooping

mld-snooping

Syntax	[no] mld-snooping
Context	config>redundancy>multi-chassis>peer>sync
Description	This command specifies whether MLD snooping information should be synchronized with the multi-chassis peer.
Default	no mld-snooping

port

Syntax	port [<i>port-id</i> <i>lag-id</i>] [sync-tag <i>sync-tag</i>] no port [<i>port-id</i> <i>lag-id</i>]
Context	config>redundancy>multi-chassis>peer>sync
Description	This command specifies the port to be synchronized with the multi-chassis peer and a synchronization tag to be used while synchronizing this port with the multi-chassis peer.
Parameters	<i>port-id</i> — Specifies the port to be synchronized with the multi-chassis peer. <i>lag-id</i> — Specifies the LAG ID to be synchronized with the multi-chassis peer. sync-tag <i>sync-tag</i> — Specifies a synchronization tag to be used while synchronizing this port with the multi-chassis peer.

range

Syntax	range <i>encap-range</i> sync-tag <i>sync-tag</i> no range <i>encap-range</i>
Context	config>redundancy>multi-chassis>peer>sync>port
Description	This command configures a range of encapsulation values.
Parameters	Values <i>encap-range</i>

Multi-Chassis Redundancy Commands

Specifies a range of encapsulation values on a port to be synchronized with a multi-chassis peer.

Values	Dot1Q	<i>start-vlan-end-vlan</i>
	QinQ	<i>Q1.start-vlan-Q1.end-vlan</i>

sync-tag *sync-tag* — Specifies a synchronization tag up to 32 characters in length to be used while synchronizing this encapsulation value range with the multi-chassis peer.

srrp

Syntax [no] srrp

Context config>redundancy>multi-chassis>peer>sync

Description This command specifies whether subscriber routed redundancy protocol (SRRP) information should be synchronized with the multi-chassis peer.

Default no srrp

sub-mgmt

Syntax [no] sub-mgmt

Context config>redundancy>multi-chassis>peer>sync

Description This command specifies whether subscriber management information should be synchronized with the multi-chassis peer.

Default no sub-mgmt

Multi-Chassis Ring Commands

mc-ring

Syntax [no] mc-ring

Context config>redundancy>mc>peer
config>redundancy>multi-chassis>peer>sync

Description This command enables the context to configure the multi-chassis ring parameters.

ring

Syntax ring sync-tag [create]
no ring sync-tag

Context config>redundancy>mc>peer>mcr

Description This command configures a multi-chassis ring.

Parameters **Values** sync-tag

Specifies a synchronization tag to be used while synchronizing this port with the multi-chassis peer.

create — Keyword used to create the multi-chassis peer ring instance. The **create** keyword requirement can be enabled/disabled in the **environment>create** context.

in-band-control-path

Syntax in-band-control-path

Context config>redundancy>mc>peer>mcr>ring

Description This command enables the context to configure multi-chassis ring inband control path parameters.

dst-ip

Syntax dst-ip ip-address
no dst-ip

Context config>redundancy>mc>peer>mcr>ring>in-band-control-path
config>redundancy>mc>peer>mcr>node>cv

Description This command specifies the destination IP address used in the inband control connection. If the address is not configured, the ring cannot become operational.

Multi-Chassis Redundancy Commands

Parameters *ip-address* — Specifies the destination IP address.

interface

Syntax **interface** *ip-int-name*
no interface

Context config>redundancy>mc>peer>mcr>ring>in-band-control-path

Description This command specifies the name of the IP interface used for the inband control connection. If the name is not configured, the ring cannot become operational.

service-id

Syntax **service-id** *service-id*
no service-id

Context config>redundancy>mc>peer>mcr>ring>ibc
config>redundancy>mc>peer>mcr>node>cv

Description This command specifies the service ID if the interface used for the inband control connection belongs to a VPRN service. If not specified, the *service-id* is zero and the interface must belong to the Base router. The **no** form of the command removes the service-id from the IBC configuration.

Parameters *service-id* — Specifies the service ID if the interface.

Values *service-id:* 1 — 2147483647

path-b

Syntax [**no**] **path-b**

Context config>redundancy>mc>peer>mcr>ring

Description This command specifies the set of upper-VLAN IDs associated with the SAPs that belong to path B with respect to load-sharing. All other SAPs belong to path A.

Default If not specified, the default is an empty set.

range

Syntax **[no] range *vlan-range***

Context config>redundancy>mc>peer>mcr>ring>path-b
config>redundancy>mc>peer>mcr>ring>path-excl

Description This command configures a MCR b-path VLAN range.

Parameters *vlan-range* — Specifies the VLAN range.

Values [0 — 4094] — [0 — 4094]

path-excl

Syntax **[no] path-excl**

Context config>redundancy>mc>peer>mcr>ring

Description This command specifies the set of upper-VLAN IDs associated with the SAPs that are to be excluded from control by the multi-chassis ring.

Default If not specified, the default is an empty set.

ring-node

Syntax **ring-node *ring-node-name* [create]**
no ring-node *ring-node-name*

Context config>redundancy>mc>peer>mcr>ring

Description This command specifies the unique name of a multi-chassis ring access node.

Parameters *ring-node-name* — Specifies the unique name of a multi-chassis ring access node.

create — Keyword used to create the ring node instance. The **create** keyword requirement can be enabled/disabled in the **environment>create** context.

connectivity-verify

Syntax **connectivity-verify**

Context config>redundancy>mc>peer>mcr>ring>ring-node

Description This command enables the context to configure node connectivity check parameters.

Multi-Chassis Redundancy Commands

interval

Syntax	interval <i>interval</i> no interval
Context	config>redundancy>mc>peer>mcr>node>cv
Description	This command specifies the polling interval of the ring-node connectivity verification of this ring node.
Default	5
Parameters	<i>interval</i> — Specifies the polling interval, in minutes. Values 1 — 6000

service-id

Syntax	service-id <i>service-id</i> no service-id
Context	config>redundancy>mc>peer>mcr>node>cv
Description	This command specifies the service ID of the SAP used for the ring-node connectivity verification of this ring node.
Default	no service-id
Parameters	<i>service-id</i> — Specifies the service ID of the SAP. Values 1 — 2147483647 Values <i>service-id:</i> 1 — 2147483647

src-ip

Syntax	src-ip <i>ip-address</i> no src-ip
Context	config>redundancy>mc>peer>mcr>node>cv
Description	This command specifies the source IP address used in the ring-node connectivity verification of this ring node.
Default	no src-ip
Parameters	<i>ip-address</i> — Specifies the source IP address.

src-mac

Syntax **src-mac** *ieee-address*
no src-mac

Context config>redundancy>mc>peer>mcr>node>cv

Description This command specifies the source MAC address used for the Ring-Node Connectivity Verification of this ring node.

A value of all zeroes (000000000000 H (0:0:0:0:0:0)) specifies that the MAC address of the system management processor (CPM) is used.

Default no src-mac

Parameters *ieee-address* — Specifies the source MAC address.

vlan

Syntax **vlan** [*vlan-encap*]
no vlan

Context config>redundancy>mc>peer>mcr>node>cv

Description This command specifies the VLAN tag used for the Ring-node Connectivity Verification of this ring node. It is only meaningful if the value of service ID is not zero. A zero value means that no VLAN tag is configured.

Default no vlan

Parameters *vlan-encap* — Specifies the VLAN tag.

Values	vlan-encap:	dot1q	qtag
		qinq	qtag1.qtag2
		qtag	0 — 4094
		qtag1	1 — 4094
		qtag2	0 — 4094

Show Commands

Hardware Commands

chassis

Syntax `chassis [environment] [power-supply] [ccm]`

Context show

Description This command displays general chassis status information.

Parameters **environment** — Displays chassis environmental status information.

Default Displays all chassis information.

power-supply — Displays chassis power supply status information.

Default Displays all chassis information.

ccm — Displays chassis control module information.

Output **Chassis Output** — The following table describes chassis output fields.

Label	Description
Name	The system name for the router.
Type	Displays the router model number.
Location	The system location for the device.
Coordinates	A user-configurable string that indicates the Global Positioning System (GPS) coordinates for the location of the chassis. For example: N 45 58 23, W 34 56 12 N37 37' 00 latitude, W122 22' 00 longitude N36*39.246' W121*40.121'
CLLI Code	The Common Language Location Identifier (CLLI) that uniquely identifies the geographic location of places and certain functional categories of equipment unique to the telecommunications industry.
Number of slots	The number of slots in this chassis that are available for plug-in cards. The total number includes the /CCM slot(s) and the /CFM slots.
Number of ports	The total number of ports currently installed in this chassis. This count does not include the Ethernet ports on the /CFMs that are used for management access.

Hardware Commands

Label	Description (Continued)
Critical LED state	The current state of the Critical LED in this chassis.
Major LED state	The current state of the Major LED in this chassis.
Minor LED state	The current state of the Minor LED in this chassis.
Base MAC address	The base chassis Ethernet MAC address.
Admin chassis mode	The configured chassis mode.
Oper chassis mode	The current chassis mode.
Part number	The /CFM's part number.
CLEI code	The code used to identify the router.
Serial number	The /CFM's part number. Not user modifiable.
Manufacture date	The chassis manufacture date. Not user modifiable.
Manufacturing string	Factory-inputted manufacturing text string. Not user modifiable.
Administrative state	Up – The card is administratively up. Down – The card is administratively down.
Operational state	Up – The card is operationally up. Down – The card is operationally down.
Time of last boot	The date and time the most recent boot occurred.
Current alarm state	Displays the alarm conditions for the specific board.
Number of fan trays	The total number of fan trays installed in this chassis.
Number of fans	The total number of fans installed in this chassis.
Operational status	Current status of the fan tray.
Fan speed	Half speed – The fans are operating at half speed. Full speed – The fans are operating at full speed.
Number of power supplies	The number of power supplies installed in the chassis.

Label	Description (Continued)
Power supply number	The ID for each power supply installed in the chassis.
AC power	Within range – AC voltage is within range. Out of range – AC voltage is out of range.
DC power	Within range – DC voltage is within range. Out of range – DC voltage is out of range.
Over temp	Within range – The current temperature is within the acceptable range. Out of range – The current temperature is above the acceptable range.
Status	Up – The specified power supply is up. Down – The specified power supply is down
CCM (7710 and 7750 SR-c12/4 Only)	Number of Chassis Control Modules on this unit.
Equipped	Specifies whether or not the the 7710 SR is equipped with a CCM.
Type	The 7710 SR series model number associated with this CCM.
Part number	The CCM part number.
CLEI code	The code used to identify the router.
Serial number	The CCM serial number. Not user modifiable.
Manufacture date	The chassis manufacture date. Not user modifiable.
Manufacturing string	Factory-inputted manufacturing text string. Not user modifiable.
Administrative state	Up – The card is administratively up. Down – The card is administratively down.
Operational state	Up – The card is operationally up. Down – The card is operationally down.
Temperature	The internal chassis temperature.
Temperature threshold	The value above which the internal temperature must rise in order to indicate that the temperature is critical.

Label	Description (Continued)
Time of last boot	The date and time the most recent boot occurred.
Current alarm state	Displays the alarm conditions for the CCM.

Sample Output

```
A:7710-3>config# show chassis
=====
Chassis Information
=====
Name                : 7710-3
Type                : 7710 SR-c4
Location            :
Coordinates         :
CLLI code           :
Number of slots     : 3
Number of ports     : 85
Critical LED state  : Off
Major LED state     : Off
Minor LED state     : Off
Over Temperature state : OK
Base MAC address    : 04:7b:ff:00:00:00

Hardware Data
Part number         : Sim Part#
CLEI code           : Sim CLEI
Serial number       : sim3
Manufacture date    : 01012003
Manufacturing string : Sim MfgString sim3
Manufacturing deviations : Sim MfgDeviation sim3
Time of last boot   : 2007/04/11 18:18:14
Current alarm state : alarm cleared

-----
Environment Information
Number of fan trays : 1
Number of fans      : 10

Fan tray number     : 1
Status              : up
Speed               : half speed

-----
Power Supply Information
Number of power supplies : 2

Power supply number   : 1
Defaulted power supply type : dc
Status                : up
Input power           : within range
Output power          : within range

Power supply number   : 2
Defaulted power supply type : dc
Status                : up
```

```

Input power          : within range
Output power        : within range
-----
Chassis Control Module (CCM) Information
  CCM number         : 1
  Equipped           : yes
  Type               : ccm-cl2-v1

Hardware Data
  Part number        : Sim Part#
  CLEI code          : Sim CLEI
  Serial number      : ccm-0
  Manufacture date   : 01012003
  Manufacturing string : Sim MfgString ccm-0
  Manufacturing deviations : Sim MfgDeviation ccm-0
  Administrative state : up
  Operational state  : up
  Temperature        : 32C
  Temperature threshold : 75C
  Time of last boot  : N/A
  Current alarm state : alarm cleared
=====
A:7710-3>config#

A:ALA-4# show chassis environment
=====
Chassis Information
Environment Information
  Number of fan trays : 1
  Number of fans      : 10

  Fan tray number     : 1
  Status              : up
  Speed               : half speed
=====
A:ALA-4#

A:ALA-4# show chassis power-supply
=====
Chassis Information
=====
Power Supply Information
  Number of power supplies : 2

  Power supply number      : 1
  Defaulted power supply type : dc
  Status                   : up

  Power supply number      : 2
  Defaulted power supply type : dc
  Status                   : up
=====
A:ALA-4#

A:7710-3# show chassis ccm
=====
Chassis Information

```

Hardware Commands

```

=====
Chassis Control Module (CCM) Information
  CCM number           : 1
  Equipped             : yes
  Type                 : ccm-cl2-v1

Hardware Data
  Part number          : Sim Part#
  CLEI code            : Sim CLEI
  Serial number        : ccm-0
  Manufacture date     : 01012003
  Manufacturing string : Sim MfgString ccm-0
  Manufacturing deviations : Sim MfgDeviation ccm-0
  Administrative state : up
  Operational state    : up
  Temperature          : 32C
  Temperature threshold : 75C
  Time of last boot    : N/A
  Current alarm state  : alarm cleared
=====
A:7710-3>

```

card

Syntax `card [slot-number] [detail]`
card state
card*slot-number* [**card**] **fp** [1..2] **ingress queue-group** *queue-group-name* **instance** [1..65535]
mode {**access**|**network**} [**statistics**]

Context show

Description This command displays card information.
 If no command line parameters are specified, a card summary for all cards is displayed.

Parameters *slot-number* — Displays information for the specified card slot.

Default Displays all cards.

Values 1

state — Displays provisioned and equipped card and MDA information.

detail — Displays detailed card information.

Default Displays summary information only.

Output **Show Card Output** — The following table describes show card output fields.

Label	Description
Slot	The slot number of the card in the chassis.
Provisioned Card-type	The card type that is configured for the slot.

Label	Description (Continued)
Equipped Card-type	The card type that is actually populated in the slot.
Admin State	Up – The card is administratively up. Down – The card is administratively down.
Operational State	Up – The card is operationally up. Down – The card is operationally down.

Sample Output

```
A:ALA-48# show card 1
=====
Card Summary
=====
Slot      Provisioned      Equipped      Admin      Operational
Card-type Card-type        State        State
-----
1         iom-12g         iom-12g      up         up
A         cfm-12g         cfm-12g      up         up/active
B         cfm-12g         cfm-12g      up         down/standby
=====
A:ALA-48#
```

Show CardState Output — The following table describes show card state output fields.

Label	Description
Slot/MDA	The slot number of the card in the chassis.
Provisioned Type	The card type that is configured for the slot.
Equipped Type	The card type that is actually populated in the slot.
Admin State	Up – The card is administratively up. Down – The card is administratively down.
Operational State	Up – The card is operationally up. provisioned – There is no card in the slot but it has been pre-configured.
Num Ports	The number of ports available on the MDA.
Num MDA	The number of MDAs installed.
Comments	Indicates whether the SF/CFM is the active or standby.

Sample Output

Show Card Detail Output — The following table describes detailed card output fields.

Label	Description
Clock source	Source of clock for the IOM. Note: Currently this parameter always displays 'none'
Available MDA slots	The number of MDA slots available on the IOMCFM.
Installed MDAs	The number of MDAs installed on the IOMCFM.
Part number	The IOMCFM part number.
CLEI code	The Common Language Location Identifier (CLLI) code string for the router.
Serial number	The serial number. Not user modifiable.
Manufacture date	The chassis manufacture date. Not user modifiable.
Manufacturing string	Factory-inputted manufacturing text string. Not user modifiable.
Manufacturing deviations	Displays a record of changes by manufacturing to the hardware or software and which is outside the normal revision control process.
Administrative state	Up — The card is administratively up.
	Down — The card is administratively down.
Operational state	Up — The card is operationally up.
	Down — The card is operationally down.
Temperature	Internal chassis temperature.
Temperature threshold	The value above which the internal temperature must rise in order to indicate that the temperature is critical.
Software boot version	The version of the boot image.
Software version	The software version number.
Time of last boot	The date and time the most recent boot occurred.
Current alarm state	Displays the alarm conditions for the specific board.

Label	Description (Continued)
Base MAC address	Displays the base MAC address of the hardware component.
Memory Capacity	Displays the memory capacity of the card.

Sample Output

```
A:7710-3>config# show card 1 detail
=====
Card 1
=====
Slot          Provisioned      Equipped        Admin          Operational
              Card-type      Card-type      State         State
-----
1             iom-12g        iom-12g        up            provisioned

IOM Card Specific Data
  Clock source           : none
  Available MDA slots    : 12
  Installed MDAs        : 6

Hardware Data
  Part number           : Sim Part#
  CLEI code             : Sim CLEI
  Serial number         : card-1
  Manufacture date      : 01012003
  Manufacturing string   : Sim MfgString card-1
  Manufacturing deviations : Sim MfgDeviation card-1
  Administrative state   : up
  Operational state     : up
  Temperature           : 40C
  Temperature threshold : 75C
  Software boot version  : simulated
  Software version       : TiMOS-B-0.0.current both/i386 ALCATEL SR 7*
  Time of last boot     : 2007/04/11 18:18:18
  Current alarm state    : alarm cleared
  Base MAC address      : 04:7b:01:00:00:00
  Memory capacity       : 1,007 MB
=====
A:7710-3>config#
```

CPM Output — The following table describes the output fields for a CPM card.

Label	Description
Slot	The slot of the card in the chassis.
Card Provisioned	The SF/CPM type that is configured for the slot.
Card Equipped	The SF/CPM type that is actually populated in the slot.
Admin State	Up — The SF/CPM is administratively up.

Hardware Commands

Label	Description (Continued)
	Down – The SF/CPM is administratively down.
Operational State	Up – The SF/CPM is operationally up. Down – The SF/CPM is operationally down.
BOF last modified	The date and time of the most recent BOF modification.
Config file version	The configuration file version.
Config file last modified	The date and time of the most recent config file modification.
Config file last modified	The date and time of the most recent config file modification.
Config file last saved	The date and time of the most recent config file save.
CPM card status	active – The card is acting as the primary (active) CPM in a redundant system. standby – The card is acting as the standby (secondary) CPM in a redundant system.
Administrative state	Up – The CPM is administratively up. Down – The CPM is administratively down.
Operational state	Up – The CPM is operationally up. Down – The CPM is operationally down.
Serial number	The compact flash part number. Not user modifiable.
Firmware revision	The firmware version. Not user modifiable.
Model number	The compact flash model number. Not user modifiable.
Size	The amount of space available on the compact flash card.
Free space	The amount of space remaining on the compact flash card.
Part number	The SF/CPM part number.
CLEI code	The code used to identify the router.
Serial number	The SF/CPM part number. Not user modifiable.
Manufacture date	The chassis manufacture date. Not user modifiable.
Manufacturing string	Factory-inputted manufacturing text string. Not user modifiable.

Label	Description (Continued)
Administrative state	Up – The card is administratively up. Down – The card is administratively down.
Operational state	Up – The card is operationally up. Down – The card is operationally down.
Time of last boot	The date and time the most recent boot occurred.
Current alarm state	Displays the alarm conditions for the specific board.
Status	Displays the current status.
Temperature	Internal chassis temperature.
Temperature threshold	The value above which the internal temperature must rise in order to indicate that the temperature is critical.
Software boot version	The version of the boot image.
Memory capacity	The total amount of memory.

Sample Output

```
A:7710-3>config>card# show card a detail
=====
Card A
=====
Slot      Provisioned      Equipped      Admin      Operational
Card-type Card-type      Card-type      State      State
-----
A         cfm-12g         cfm-12g         up         up/active

BOF last modified      : N/A
Config file version   : Sun APR 11 18:11:49 2007 UTC
Config file last modified : 2007/04/08 10:46:13
Config file last saved  : N/A
M/S clocking ref state : primary

Flash - cf1:
  Administrative State : up
  Operational state    : up
  Serial number        : serial-1
  Firmware revision    : v1.0
  Model number         : PC HD 1
  Size                 : 1,424 KB
  Free space           : 996 KB

Hardware Data
  Part number          : Sim Part#
  CLEI code            : Sim CLEI
```

Hardware Commands

```
Serial number          : card-2
Manufacture date       : 01012003
Manufacturing string   : Sim MfgString card-2
Manufacturing deviations : Sim MfgDeviation card-2
Administrative state    : up
Operational state      : up
Temperature            : 40C
Temperature threshold  : 75C
Software boot version  : simulated
Software version       : TiMOS-B-0.0.current both/i386 ALCATEL SR 7*
Time of last boot      : 2007/04/08 10:46:13
Current alarm state    : alarm cleared
Base MAC address       : 04:7b:02:00:00:00
Memory capacity        : 1,007 MB
=====
A:7710-3>config>card#
```

Pw Shaping Feature Output

```
*A:Dut-T# show card 9 fp 1 ingress queue-group "QGIngl" mode network instance 1 statistics
=====
Card:9 Net.QGrp: QGIngl Instance: 1
=====
Group Name      : QGIngl
Description     : (Not Specified)
Pol Ctl Pol    : pcp                Acct Pol      : None
Collect Stats  : disabled
-----
Statistics
-----
                Packets                Octets

Ing. Policer:  1  Grp: QGIngl (Stats mode: minimal)
Off. All       :                91836202                91465530792
Dro. All       :                6678807                 6649127172
For. All       :                85157395                84816403620

Ing. Policer:  2  Grp: QGIngl (Stats mode: minimal)
Off. All       :                93584703                90933906888
Dro. All       :                8320200                 6106644900
For. All       :                85264503                84827261988

Ing. Policer:  3  Grp: QGIngl (Stats mode: minimal)
Off. All       :                93584703                90933906888
Dro. All       :                8320049                 6106288404
For. All       :                85264654                84827618484

Ing. Policer:  4  Grp: QGIngl (Stats mode: minimal)
Off. All       :                93584703                90933906888
Dro. All       :                8326509                 6110568864
For. All       :                85258194                84823338024

Ing. Policer:  5  Grp: QGIngl (Stats mode: minimal)
Off. All       :                93584703                90933906888
Dro. All       :                24877143                 22616873028
For. All       :                68707560                 68317033860

Ing. Policer:  6  Grp: QGIngl (Stats mode: minimal)
```

Interface Configuration

```
Off. All          :          93434643          90919501128
Dro. All          :          24727111          22602499656
For. All          :          68707532          68317001472
```

```
Ing. Policer: 7  Grp: QGIngl (Stats mode: minimal)
Off. All          :          93584703          90933906888
Dro. All          :          24877214          22616941944
For. All          :          68707489          68316964944
```

```
Ing. Policer: 8  Grp: QGIngl (Stats mode: minimal)
Off. All          :          93430663          90919119048
Dro. All          :          24723280          22602263280
For. All          :          68707383          68316855768
```

```
Ing. Policer: 9  Grp: QGIngl (Stats mode: minimal)
Off. All          :              0              0
Dro. All          :              0              0
For. All          :              0              0
```

```
Ing. Policer: 10 Grp: QGIngl (Stats mode: minimal)
Off. All          :              0              0
Dro. All          :              0              0
For. All          :              0              0
```

```
Ing. Policer: 11 Grp: QGIngl (Stats mode: minimal)
Off. All          :              0              0
Dro. All          :              0              0
For. All          :              0              0
```

```
Ing. Policer: 12 Grp: QGIngl (Stats mode: minimal)
Off. All          :              0              0
Dro. All          :              0              0
For. All          :              0              0
```

```
Ing. Policer: 13 Grp: QGIngl (Stats mode: minimal)
Off. All          :              0              0
Dro. All          :              0              0
For. All          :              0              0
```

```
Ing. Policer: 14 Grp: QGIngl (Stats mode: minimal)
Off. All          :              0              0
Dro. All          :              0              0
For. All          :              0              0
```

```
Ing. Policer: 15 Grp: QGIngl (Stats mode: minimal)
Off. All          :              0              0
Dro. All          :              0              0
For. All          :              0              0
```

```
Ing. Policer: 16 Grp: QGIngl (Stats mode: minimal)
Off. All          :              0              0
Dro. All          :              0              0
For. All          :              0              0
```

```
=====
*A:Dut-T#
```

Hardware Commands

elmi

Syntax elmi

Context show

Description This command displays Ethernet Link Management Interface (eLMI) information.

ELMI Output — The following table describes eLMI output fields.

Field	Description
Link Status	Status of the E-LMI protocol when the elmi mode is set to uni-n. Link Status will indicate up if eLMI mode is set to "none".
T391	pooling timer used by UNI-C. UNI-N will send the consecutive single EVC asynchronous status messages every (T391/10) rounded to the second interval.
T392	Pooling verification timer for UNI-N
N393	Status counter for UNI-N
Rx Enq. Time	Last time when a status enquiry message was received from UNI-C.
Rx Enq Msg	Number of status enquiry messages received.
Rx Check Time	Last time when a status enquiry E-LMI check message was received.
Rx Inv. SeqNum	Counts the number of E-LMI messages received with invalid sequence number.
Enq Timeouts	Counts the number of T392 timer expired.
Tx Status Time	Last time when a status message was sent by UNI-N.
Tx Status Msg	Number of status messages sent by UNI-N.
Tx Check Time	Last time when a status eLMI check message was sent by UNI-N.
Tx Async Status Msg	Counter for single EVC asynchronous status messages sent by UNI-N.
Discard Msg	Counter for the status enquiry messages discarded due to errors.

evc

Syntax evc [*port-id* [**vlan** *vlan-id*]]

Context show>elmi

Description This command displays Ethernet Virtual Connections (EVC). No argument displays all the EVC on the service router. The port and VLAN arguments display information related to EVC associated with the port and VLAN.

Parameters *port-id* — Displays information related to the EVCs configured on the port

Values slot/mda/port

vlan *vlan-id* — Specifies the VLAN Identifier of the EVC.

Values 0 — 4094, *

Sample Output

```
*A:Dut-C# show elmi evc
=====
ELMI EVC Table
=====
Port      Vlan  Status   Type   Evc Id
-----
1/1/1     10    New-Act  P2p    EVC11110
1/1/3     30    New-Act  P2p    EVC11220
1/1/5     100   Act      P2p    EVC115100
1/1/5     200   Act      P2p    EVC115200
-----
Number of Evcs : 4
=====
*A:Dut-C#

A:Dut-C# show elmi evc 1/1/5
=====
ELMI EVC Table
=====
Port      Vlan  Status   Type   Evc Id
-----
1/1/5     100   Act      P2p    EVC115100
1/1/5     200   Act      P2p    EVC115200
-----
Number of Evcs : 2
=====
A:Dut-C#

*A:Dut-C# show elmi evc 1/1/5 vlan 100
=====
Evc Detailed Information
=====
Port      : 1/1/5          vlanId      : 100
Evc Status : Act            Evc Type    : P2p
Evc Identifier: EVC115100
=====
*A:Dut-C#
```

Hardware Commands

uni

Syntax **uni** [*port-id*]

Context show>elmi

Description This command displays information about ELMi (mode, status, number of EVCs (SAPs) configure on the port for all the ports on the service router.

Parameters *port-id* — Displays UNI information for the specified port.

Sample Output

```
*A:Dut-C# show elmi uni
=====
ELMI UNI-N Table
=====
Port      Mode  Status  #Evcs  Uni Identifier
-----
1/1/1     None  Up      0      10/100 Ethernet TX
1/1/2     None  Up      0      port-21
1/1/3     None  Up      0      10/100 Ethernet TX
1/1/4     None  Up      0      10/100 Ethernet TX
1/1/5     Uni-N Up      2      UNI115
1/1/6     None  Up      0      10/100 Ethernet TX
1/1/7     None  Up      0      10/100 Ethernet TX
1/1/8     None  Up      0      10/100 Ethernet TX
1/1/9     None  Up      0      10/100 Ethernet TX
1/1/10    None  Up      0      10/100 Ethernet TX
1/1/11    None  Up      0      10/100 Ethernet TX
1/1/12    None  Up      0      10/100 Ethernet TX
1/1/13    None  Up      0      10/100 Ethernet TX
1/1/14    None  Up      0      10/100 Ethernet TX
1/1/15    None  Up      0      10/100 Ethernet TX
1/1/16    None  Up      0      10/100 Ethernet TX
1/1/17    None  Up      0      10/100 Ethernet TX
...
=====
*A:Dut-C#

*A:Dut-C# show elmi uni 1/1/5
=====
Uni-N Detailed Information
=====
Uni Mode      : Uni-N                Link Status      : Up
Uni Identifier: UNI115
T391          : 10 seconds          T392              : 15 seconds
N393          : 4                      UniType           : Bundling
Rx Enq. Time  : 02/18/2010 17:11:44 Tx Status Time    : 02/18/2010 17:11:44
Rx Enq Msg    : 24                      Tx Status Msg     : 24
Rx Check Time : 02/18/2010 17:12:34 Tx Check Time     : 02/18/2010 17:12:34
Rx Inv. SeqNum: 0                      Tx Async Status Msg : 0
Enq Timeouts  : 0                      Discard Msg       : 0
=====
*A:Dut-C#
```

interface-group-handler

Syntax `interface-group-handler [igh-id]`

Context show

Description This command displays Interface Group Handler (IGH) information.
If no command line options are specified, a summary listing of all IGHs is displayed.

Parameters *igh-id* — Displays information only on the specified IGH ID.

Sample

```
A:ALU-27# show interface-group-handler
=====
Interface Group Handler Summary Information
=====
IGH Index Admin      Number of Threshold
          State      Members
-----
1         Up         4         4
2         Up         2         2
=====
A:ALU-27#

A:ALU-27#show interface-group-handler 2
=====
Interface Group Handler 2 Information
=====
Admin Status      : Up
Threshold         : 2
Last Change      : 02/02/2010 18:10:04
-----
Interface Group Handler Protocol Information
-----
Protocol Oper Status  Active Links          Up Time
-----
ipcp      up           2                    0d 00:15:04
ipv6cp    none          0                    N/A
mplscp    waiting       0                    N/A
osicp     none           0                    N/A
-----
Port 1/5/2.2 Information
-----
Protocol Oper Status          Up Time
-----
ipcp      up                0d 00:15:05
ipv6cp    none                N/A
mplscp    running              N/A
osicp     none                N/A
-----
Port 1/5/2.3 Information
-----
Protocol Oper Status          Up Time
-----
ipcp      up                0d 00:15:05
ipv6cp    none                N/A
```

Hardware Commands

```

mplscp    running                               N/A
osicp     none                                  N/A
=====
A:ALU-27#

```

mcm

Syntax `mcm [slot [/mcm]] [detail]`

Context show

Description This command displays MCM information.
If no command line options are specified, a summary output of all MCMs is displayed in table format.

Parameters *slot* — The slot number for which to display MCM information.

Values 1

mcm — The MCM number in the slot for which to display MCM information.

Values 7710 SR-c4 — 1, 3

detail — Displays detailed MDA information.

Output **MDA Output** — The following table describes MDA output fields.

Label	Description
Slot	The chassis slot number.
MCM	The MCM slot number.
Provisioned MCM-type	The MCM type provisioned.
Equipped MCM-type	The MCM type actually installed.
Admin State	Up — Administratively up. Down — Administratively down.
Ops State	Up — Operationally up. Down — Operationally down.

Sample Output

```

A:7710-3# show mcm
=====
MCM Summary
=====
Slot Mcm  Provisioned      Equipped          Admin   Operational
      Mcm-type      Mcm-type          State     State
-----

```

```

1      1      mcm-v1                mcm-v1                up                up
      3                mcm-v1                up                unprovisioned
=====
A:7710-3#

A:7710-3# show mcm 1
=====
MCM 1/1
=====
Slot Mcm  Provisioned            Equipped            Admin  Operational
      Mcm-type                Mcm-type            State  State
-----
1      1      mcm-v1                mcm-v1                up                up
=====
MCM 1/3
=====
Slot Mcm  Provisioned            Equipped            Admin  Operational
      Mcm-type                Mcm-type            State  State
-----
      3                mcm-v1                up                unprovisioned
=====
A:7710-3#

```

mda

Syntax `mda [slot [/mda]] [detail]`

Context show

Description This command displays MDA information.

If no command line options are specified, a summary output of all MDAs is displayed in table format.

Parameters *slot* — The slot number for which to display MDA information.

Values 1 — 6

mda — The MDA number in the slot for which to display MDA information.

Values 1, 3, 5, 7, 9, 11
7710 SR-c4 — 1, 3

detail — Displays detailed MDA information.

Output **MDA Output** — The following table describes MDA output fields.

Label	Description
Slot	The chassis slot number.
MDA	The MDA slot number.
Provisioned MDA-type	The MDA type provisioned.

Label	Description (Continued)
Equipped MDA-type	The MDA type actually installed.
Admin State	Up – Administratively up. Down – Administratively down.
Ops State	Up – Operationally up. Down – Operationally down.

Sample Output

```
A:7710-3# show mda
=====
MDA Summary
=====
Slot Mda   Provisioned      Equipped          Admin   Operational
      Mda-type      Mda-type          State    State
-----
1     1     m60-10/100eth-tx m60-10/100eth-tx up      up
      5     c8-10/100eth-tx  c8-10/100eth-tx up      up
      6
      7     c1-lgb-sfp       c1-lgb-sfp       up      unprovisioned
      8     c8-chds1         c8-chds1         up      unprovisioned
      9     c4-ds3           c4-ds3           up      unprovisioned
      10    c8-10/100eth-tx c8-10/100eth-tx up      unprovisioned
      11    c1-lgb-sfp       c1-lgb-sfp       up      unprovisioned
      12    c8-chds1         c8-chds1         up      unprovisioned
      13    c4-ds3           c4-ds3           up      unprovisioned
=====
A:7710-3#
```

MDA Detailed Output — The following table describes detailed MDA output fields.

Label	Description
Slot	The chassis slot number.
Slot	The MDA slot number.
Provisioned Provisioned-type	The provisioned MDA type.
Equipped Mda-type	The MDA type that is physically inserted into this slot in this chassis.
Admin State	Up – The MDA is administratively up. Down – The MDA is administratively down.
Operational State	Up – The MDA is operationally up. Down – The MDA is operationally down.

Label	Description (Continued)
Maximum port count	The maximum number of ports that can be equipped on the MDA card.
Number of ports equipped	The number of ports that are actually equipped on the MDA.
Transmit timing selected	Indicates the source for the timing used by the MDA.
Sync interface timing status	Indicates whether the MDA has qualified one of the timing signals from the CPMs.
Network Ingress Queue Policy	Specifies the network queue policy applied to the MDA to define the queueing structure for this object.
Capabilities	Specifies the minimum size of the port that can exist on the MDA.
Max channel size	Specifies the maximum size of the channel that can exist on the channelized MDA.
Channels in use	Applicable for SONET and TDM MDAs only. Indicates the total number of leaf SONET paths, TDM channels and bundles on the MDA which are presently provisioned for passing traffic.
Part number	The hardware part number.
CLEI code	The code used to identify the MDA.
Serial number	The MDA part number. Not user modifiable.
Manufacture date	The MDA manufacture date. Not user modifiable.
Manufacturing string	Factory-inputted manufacturing text string. Not user modifiable.
Administrative state	Up – The MDA is administratively up.
	Down – The MDA is administratively down.
Operational state	Up – The MDA is operationally up.
	Down – The MDA is operationally down.
Time of last boot	The date and time the most recent boot occurred.
Current alarm state	Displays the alarm conditions for the specific MDA.
Base MAC address	The base chassis Ethernet MAC address. Special purpose MAC addresses used by the system software are constructed as offsets from this base address.

Hardware Commands

Sample Output

The following example shows the detail of an MDA in slot 1.

```
B:Dut-D# show mda 1/1 detail
=====
MDA 1/1 detail
=====
Slot Mda   Provisioned           Equipped             Admin   Operational
      Mda-type          Mda-type            State   State
-----
1     1     m10-1gb-sfp          m10-1gb-sfp         up      up

MDA Specific Data
  Maximum port count       : 10
  Number of ports equipped : 10
  Network ingress queue policy : default
  Capabilities              : Ethernet

Hardware Data
  Part number              : 3HE00026AAAC01
  CLEI code                 :
  Serial number            : NS042800525
  Manufacture date         : 07082004
  Manufacturing string      :
  Manufacturing deviations  :
  Administrative state     : up
  Operational state        : up
  Temperature               : 42C
  Temperature threshold    : 75C
  Time of last boot        : 2007/04/11 09:37:52
  Current alarm state      : alarm cleared
  Base MAC address         : 00:03:fa:0e:9e:03
=====
B:Dut-D#
```

The following example shows the detail of a CMA in slot 1).

```
A:7710-3# show mda 1/5 detail
=====
MDA 1/5 detail
=====
Slot Mda   Provisioned           Equipped             Admin   Operational
      Mda-type          Mda-type            State   State
-----
1     5     c8-10/100eth-tx      c8-10/100eth-tx     up      up

MDA Specific Data
  Maximum port count       : 8
  Number of ports equipped : 8
  Network ingress queue policy : default
  Capabilities              : Ethernet

Hardware Data
  Part number              : Sim Part#
  CLEI code                 : Sim CLEI
  Serial number            : mda-5
  Manufacture date         : 01012003
  Manufacturing string      : Sim MfgString mda-5
  Manufacturing deviations  : Sim MfgDeviation mda-5
```

```
Administrative state      : up  
Operational state       : up  
Temperature              : 33C  
Temperature threshold    : 75C  
Time of last boot       : 2007/04/11 15:13:48  
Current alarm state     : alarm cleared  
Base MAC address        : 04:7b:01:05:00:01
```

```
=====  
A:7710-3#
```

pools

Syntax **pools** *mda-id* [/port] [**access-app** [*pool-name* | **service** *service-id*]] | **queue-group** *queue-group-name*]]
pools *mda-id* [/port] [*network-app* [*pool-name* | **queue-group** *queue-group-name*]]
pools *mda-id* [/port] [*direction* [*pool-name* | **service** *service-id*] **queue-group** *queue-group-name*]]

Context show

Description This command displays pool information.

Parameters *mda-id*[/port] — Displays the pool information of the specified MDA and port.
access-app *pool-name* — Displays the pool information of the specified QoS policy.
Values access-ingress, access-egress
service *service-id* — Displays pool information for the specified service.
Values 1 — 2147483647
queue-group *queue-group-name* — Display information for the specified queue group.
direction — Specifies to display information for the ingress or egress direction.
Values ingress, egress

Output **Show Pool Output** — The following table describes show pool output fields.

Label	Description
Type	Specifies the pool type.
ID	Specifies the card/mda or card/MDA/port designation.
Application/Type	Specifies the nature of usage the pool would be used for. The pools could be used for access or network traffic at either ingress or egress.
Pool Name	Specifies the name of the pool being used.
Resv CBS	Specifies the percentage of pool size reserved for CBS.
Utilization	Specifies the type of the slope policy.
State	The administrative status of the port.
Start-Avg	Specifies the percentage of the buffer utilized after which the drop probability starts to rise above 0.
Max-Avg	Specifies the percentage of the buffer utilized after which the drop probability is 100 percent. This implies that all packets beyond this point will be dropped.
Time Avg Factor	Specifies the time average factor the weighting between the previous shared buffer average utilization result and the new shared buffer utilization in determining the new shared buffer average utilization.

Label	Description (Continued)
Actual ResvCBS	Specifies the actual percentage of pool size reserved for CBS.
Admin ResvCBS	Specifies the percentage of pool size reserved for CBS.
PoolSize	Specifies the size in percentage of buffer space. The value '-1' implies that the pool size should be computed as per fair weighting between all other pools.
Pool Total	Displays the total pool size.
Pool Shared	Displays the amount of the pool which is shared.
Pool Resv	Specifies the percentage of reserved pool size.
Pool Total In Use	Displays the total amount of the pool which is in use.
Pool Shared In Use	Displays the amount of the pool which is shared that is in use.

*A:ALA-48# show pools 1/1

```

=====
Type      Id      App.      Pool Name      Actual ResvCBS  PoolSize
Admin ResvCBS
-----
MDA       1/1     Acc-Ing   default                Sum
MDA       1/1     Acc-Ing   MC Path Mgnt          50
MDA       1/1     Acc-Egr   default                Sum
MDA       1/1     Net-Ing   default                Sum
MDA       1/1     Net-Egr   default                50
Port      1/1/1   Acc-Ing   default                Sum
Port      1/1/1   Acc-Egr   default                Sum
Port      1/1/1   Net-Egr   default                Sum
Port      1/1/2   Acc-Ing   default                Sum
Port      1/1/2   Acc-Egr   default                Sum
Port      1/1/2   Net-Egr   default                Sum
Port      1/1/3   Acc-Ing   default                Sum
Port      1/1/3   Acc-Egr   default                Sum
Port      1/1/3   Net-Egr   default                Sum
Port      1/1/4   Acc-Ing   default                Sum
  
```

Hardware Commands

```

Port    1/1/4    Acc-Egr default
                                           Sum
...
Port    1/1/12   Acc-Egr default
                                           Sum
Port    1/1/12   Net-Egr default
                                           Sum
=====
*A:ALA-48#

```

```

*A:ALA-48# show pools 1/1/1 network-egress
=====

```

```

Pool Information
=====
Port          : 1/1/1
Application   : Net-Egr          Pool Name      : default
Resv CBS     : Sum
=====

```

Utilization	State	Start-Avg	Max-Avg	Max-Prob
High-Slope	Down	70%	90%	80%
Low-Slope	Down	50%	75%	80%

```

Time Avg Factor : 7
Pool Total      : 3072 KB
Pool Shared     : 1536 KB          Pool Resv      : 1536 KB
Pool Total In Use : 0 KB
Pool Shared In Use : 0 KB          Pool Resv In Use : 0 KB
WA Shared In Use : 0 KB

```

*See Note

```

Hi-Slope Drop Prob : 0          Lo-Slope Drop Prob : 0
=====

```

FC-Maps	ID	MBS CBS	Depth	A.CIR O.CIR	A.PIR O.PIR
be	1/1/1	1536 28	0	0 0	100000 Max
l2	1/1/1	1536 96	0	25000 25000	100000 Max
af	1/1/1	1536 320	0	25000 25000	100000 Max
l1	1/1/1	768 96	0	25000 25000	100000 Max
h2	1/1/1	1536 320	0	100000 Max	100000 Max
ef	1/1/1	1536 320	0	100000 Max	100000 Max
h1	1/1/1	768 96	0	10000 10000	100000 Max
nc	1/1/1	768 96	0	10000 10000	100000 Max

```

=====
*A:ALA-48#

```

```

*A:Dut-T# show pools 4/1/1 access-ingress
=====

```

Pool Information

```

=====
Port                : 4/1/1
Application         : Acc-Ing           Pool Name          : default
CLI Config. Resv CBS : 10%
Resv CBS Step      : 1%                Resv CBS Max       : 30%
Amber Alarm Threshold: 10%            Red Alarm Threshold: 0%
-----
  
```

Queue-Groups

```

-----
Utilization          State      Start-Avg    Max-Avg      Max-Prob
-----
High-Slope          Down        70%          90%          80%
Low-Slope           Down        50%          75%          80%

Time Avg Factor     : 7
Pool Total         : 66048 KB
Pool Shared        : 46080 KB          Pool Resv         : 19968 KB
-----
  
```

```

-----
Current Resv CBS    Provisioned    Rising        Falling        Alarm
%age               all Queues    Alarm Thd     Alarm Thd     Color
-----
30%                40320 KB     NA            1797 KB      Amber
Pool Total In Use  : 0 KB
Pool Shared In Use : 0 KB          Pool Resv In Use : 0 KB
WA Shared In Use   : 0 KB
-----
  
```

Hi-Slope Drop Prob : 0 Lo-Slope Drop Prob : 0

Name	Tap	FC-Maps	MBS CBS	HP-Only Depth	A.PIR O.PIR	A.CIR O.CIR
2->4/1/1:1->11	MCast	be 12 af 11 h2 ef h1 nc	30720 KB 0 KB	3072 KB 0	25000000 Max	0 0
2->4/1/1:1->4	3/1	af	81408 KB 3360 KB	9216 KB 0	25000000 Max	0 0
2->4/1/1:1->4	3/1	af	81408 KB 3360 KB	9216 KB 0	25000000 Max	0 0
2->4/1/1:1->4	4/*	af	81408 KB 3360 KB	9216 KB 0	25000000 Max	0 0
2->4/1/1:1->3	3/1	12	81408 KB 3360 KB	9216 KB 0	25000000 Max	0 0
2->4/1/1:1->3	3/1	12	81408 KB 3360 KB	9216 KB 0	25000000 Max	0 0
2->4/1/1:1->3	4/*	12	81408 KB 3360 KB	9216 KB 0	25000000 Max	0 0
2->4/1/1:1->2						

Hardware Commands

```

3/1      11      81408 KB  9216 KB  25000000 0
3360 KB  0      Max      0
2->4/1/1:1->2
3/1      11      81408 KB  9216 KB  25000000 0
3360 KB  0      Max      0
2->4/1/1:1->2
4/*      11      81408 KB  9216 KB  25000000 0
...
=====
*A:Dut-T#

*A:ALU-2011# show pools 2/1/1 access-egress
=====
Pool Information
=====
Port          : 2/1/1
Application   : Acc-Egr      Pool Name      : default
Resv CBS     : Sum
-----
Queue-Groups
-----
policer-output-queues
-----
Utilization          State      Start-Avg    Max-Avg    Max-Prob
-----
High-Slope          Down      70%         90%         80%
Low-Slope           Down      50%         75%         80%

Time Avg Factor    : 7
Pool Total        : 6336 KB
Pool Shared       : 4416 KB      Pool Resv     : 1920 KB
-----
Pool Resv CBS     Provisioned    Rising        Falling        Alarm
 %age            All Queues    Alarm Thd     Alarm Thd      Color
-----
40%              300KB        350KB        250KB         Amber

Pool Total In Use : 0 KB
Pool Shared In Use : 0 KB      Pool Resv In Use : 0 KB
WA Shared In Use  : 0 KB

Hi-Slope Drop Prob : 0      Lo-Slope Drop Prob : 0
-----
Name          Tap      FC-Maps    MBS          HP-Only      A.PIR      A.CIR
              CBS      Depth      CBS          Depth        O.PIR      O.CIR
-----
2->2/1/1:100->1
              be l2 af l1  123 KB      15 KB       100000      0
              h2 ef h1 nc  0 KB        0           Max         0
accQGrp->policer-output-queues(2/1/1)->1
              n/a          123 KB      15 KB       100000      0
              0 KB        0           Max         0
accQGrp->policer-output-queues(2/1/1)->2
              n/a          123 KB      15 KB       100000      0
              0 KB        0           Max         0

```

```
*A:ALU-2011# show pools 2/1/1 access-egress
```

```
=====
Pool Information
=====
```

```
Port          : 2/1/1
Application   : Acc-Egr          Pool Name      : default
Resv CBS      : Sum
```

```
-----
Queue-Groups
-----
```

```
-----
policer-output-queues
-----
```

Utilization	State	Start-Avg	Max-Avg	Max-Prob
High-Slope	Down	70%	90%	80%
Low-Slope	Down	50%	75%	80%

```
Time Avg Factor : 7
Pool Total      : 6336 KB
Pool Shared     : 4416 KB          Pool Resv      : 1920 KB
```

Pool Resv CBS %age	Provisioned All Queues	Rising Alarm Thd	Falling Alarm Thd	Alarm Color
--------------------	------------------------	------------------	-------------------	-------------

```
-----
CBS Oversubscription Alarm Info Pending
-----
```

```
Pool Total In Use : 0 KB
Pool Shared In Use : 0 KB          Pool Resv In Use : 0 KB
WA Shared In Use  : 0 KB
```

```
Hi-Slope Drop Prob : 0          Lo-Slope Drop Prob : 0
```

Name	Tap	FC-Maps	MBS CBS	HP-Only Depth	A.PIR O.PIR	A.CIR O.CIR
------	-----	---------	---------	---------------	-------------	-------------

```
2->2/1/1:100->1
           be 12 af 11 123 KB 15 KB 100000 0
           h2 ef h1 nc 0 KB 0 Max 0
accQGrp->policer-output-queues(2/1/1)->1
           n/a          123 KB 15 KB 100000 0
           0 KB 0 Max 0
accQGrp->policer-output-queues(2/1/1)->2
```

```
*A:ALU-2011#show pools 1/1/1 egress
```

```
=====
Pool Information
=====
```

```
Port          : 1/1/1
Application   : Egress          Pool Name      : PoolData
Resv CBS      : 25%           Policy Name    : Port1-1-1
```

```
-----
Queue-Groups
-----
```

Utilization	State	Start-Avg	Max-Avg	Max-Prob
-------------	-------	-----------	---------	----------

Hardware Commands

```

-----
High-Slope                Down                70%        90%        80%
Low-Slope                 Down                50%        75%        80%
Time Avg Factor          : 7
Pool Total               : 64 KB
Pool Shared              : 48 KB                Pool Resv          : 16 KB
-----
Pool Resv CBS          Provisioned      Rising          Falling          Alarm
%age                All Queues      Alarm Thd      Alarm Thd      Color
-----
40%                  300KB           350KB          250KB          Amber
Pool Total In Use       : 0 KB
Pool Shared In Use      : 0 KB                Pool Resv In Use   : 0 KB
WA Shared In Use        : 0 KB
Hi-Slope Drop Prob     : 0                Lo-Slope Drop Prob : 0
-----
Name                    Tap            FC-Maps      MBS          HP-Only      A.PIR        A.CIR
                                CBS          Depth        O.PIR        O.CIR
-----
1->1/1/1:10->2
                                af            128 KB      16 KB        100000       0
                                0 KB         0           Max          0
1->1/1/1:10->4
                                ll            128 KB      16 KB        100000       0
                                0 KB         0           Max          0
-----
Port                    : 1/1/1
Application              : Egress        Pool Name      : PoolVideo
Resv CBS                 : 25%          Policy Name    : Port1-1-1
-----
Queue-Groups
-----
Utilization              State          Start-Avg     Max-Avg      Max-Prob
-----
High-Slope                Down                70%        90%        80%
Low-Slope                 Down                50%        75%        80%
Time Avg Factor          : 7
Pool Total               : 64 KB
Pool Shared              : 48 KB                Pool Resv          : 16 KB
-----
Pool Resv CBS          Provisioned      Rising          Falling          Alarm
%age                All Queues      Alarm Thd      Alarm Thd      Color
-----
40%                  300KB           350KB          250KB          Amber
Pool Total In Use       : 0 KB
Pool Shared In Use      : 0 KB                Pool Resv In Use   : 0 KB
WA Shared In Use        : 0 KB
Hi-Slope Drop Prob     : 0                Lo-Slope Drop Prob : 0
-----
Name                    Tap            FC-Maps      MBS          HP-Only      A.PIR        A.CIR
                                CBS          Depth        O.PIR        O.CIR
-----
1->1/1/1:10->5
                                ef            128 KB      16 KB        100000       0
                                0 KB         0           Max          0
-----
Port                    : 1/1/1
Application              : Egress        Pool Name      : PoolVoice

```

Interface Configuration

```

Resv CBS           : 50%                Policy Name       : Port1-1-1
-----
Queue-Groups
-----
Utilization                State      Start-Avg    Max-Avg    Max-Prob
-----
High-Slope                 Down        70%         90%         80%
Low-Slope                  Down        50%         75%         80%
Time Avg Factor           : 7
Pool Total                 : 64 KB
Pool Shared                : 32 KB                Pool Resv         : 32 KB
-----
Pool Resv CBS             Provisioned   Rising        Falling      Alarm
  %age                    All Queues   Alarm Thd     Alarm Thd    Color
-----
40%                       300KB       350KB        250KB       Amber
Pool Total In Use        : 0 KB
Pool Shared In Use       : 0 KB                Pool Resv In Use : 0 KB
WA Shared In Use         : 0 KB
Hi-Slope Drop Prob      : 0                Lo-Slope Drop Prob : 0
-----
Name          Tap          FC-Maps      MBS          HP-Only      A.PIR      A.CIR
              Tap          FC-Maps      MBS          CBS          Depth      O.PIR      O.CIR
-----
1->1/1/1:10->3
              nc          128 KB      16 KB        100000      0
              0 KB        0           Max          0
=====
*A:ALU-2011#

```

When alarm information is pending:

```

*A:Dut-T# show pools 4/1/1 access-ingress
=====
Pool Information
=====
Port           : 4/1/1
Application    : Acc-Ing          Pool Name       : default
CLI Config. Resv CBS : 10%
Resv CBS Step  : 1%          Resv CBS Max   : 35%
Amber Alarm Threshold: 10%   Red Alarm Threshold: 0%
-----
Queue-Groups
-----
Utilization                State      Start-Avg    Max-Avg    Max-Prob
-----
High-Slope                 Down        70%         90%         80%
Low-Slope                  Down        50%         75%         80%

Time Avg Factor           : 7
Pool Total                 : 66048 KB
Pool Shared                : 46080 KB                Pool Resv         : 19968 KB
-----
Current Resv CBS             Provisioned   Rising        Falling      Alarm
  %age                    all Queues   Alarm Thd     Alarm Thd    Color
-----

```

Hardware Commands

CBS Oversubscription Alarm Info Pending

Pool Total In Use : 0 KB

Pool Shared In Use : 0 KB

WA Shared In Use : 0 KB

Pool Resv In Use : 0 KB

Hi-Slope Drop Prob : 0

Lo-Slope Drop Prob : 0

```

-----
Name          Tap          FC-Maps          MBS          HP-Only          A.PIR          A.CIR
                CBS          Depth          O.PIR          O.CIR
-----
2->4/1/1:1->11
                MCast          be 12 af 11          30720 KB          3072 KB          25000000 0
                h2 ef h1 nc          0 KB          0          Max          0
2->4/1/1:1->4
                3/1          af          81408 KB          9216 KB          25000000 0
                3360 KB          0          Max          0
2->4/1/1:1->4
                3/1          af          81408 KB          9216 KB          25000000 0
                3360 KB          0          Max          0
2->4/1/1:1->4
                4/*          af          81408 KB          9216 KB          25000000 0
                3360 KB          0          Max          0
2->4/1/1:1->3
                3/1          12          81408 KB          9216 KB          25000000 0
                3360 KB          0          Max          0
2->4/1/1:1->3
                3/1          12          81408 KB          9216 KB          25000000 0
                3360 KB          0          Max          0
2->4/1/1:1->3
                4/*          12          81408 KB          9216 KB          25000000 0
                3360 KB          0          Max          0
2->4/1/1:1->2
                3/1          11          81408 KB          9216 KB          25000000 0
                3360 KB          0          Max          0
2->4/1/1:1->2
                3/1          11          81408 KB          9216 KB          25000000 0
                3360 KB          0          Max          0
2->4/1/1:1->2
                4/*          11          81408 KB          9216 KB          25000000 0
                3360 KB          0          Max          0
2->4/1/1:1->1
                3/1          be h2 ef h1          81408 KB          9216 KB          25000000 0
                nc          3360 KB          0          Max          0
2->4/1/1:1->1
                3/1          be h2 ef h1          81408 KB          9216 KB          25000000 0
                nc          3360 KB          0          Max          0
2->4/1/1:1->1
                4/*          be h2 ef h1          81408 KB          9216 KB          25000000 0
                nc          3360 KB          0          Max          0
-----

```

*A:Dut-T#

show pools command with named pools.

```
*A:Dut-T# show pools 9/2/1 egress
=====
Pool Information
=====
Port                : 9/2/1
Application         : Egress                Pool Name          : pool1
CLI Config. Resv CBS : 10%                 Policy Name       : namedEgr
Resv CBS Step       : 1%                   Resv CBS Max      : 25%
Amber Alarm Threshold: 30%                 Red Alarm Threshold: 45%
-----
Queue-Groups
-----
Utilization          State      Start-Avg   Max-Avg     Max-Prob
-----
High-Slope          Down      70%        90%         80%
Low-Slope           Down      50%        75%         80%

Time Avg Factor     : 7
Pool Total          : 258 KB
Pool Shared         : 192 KB                Pool Resv          : 66 KB
-----
Current Resv CBS    Provisioned   Rising        Falling        Alarm
%age               all Queues   Alarm Thd     Alarm Thd     Color
-----
25%                39 KB       NA            24 KB         Red
Pool Total In Use   : 0 KB
Pool Shared In Use  : 0 KB      Pool Resv In Use : 0 KB
WA Shared In Use    : 0 KB
Hi-Slope Drop Prob : 0                Lo-Slope Drop Prob : 0
-----
Name                Tap          FC-Maps      MBS           HP-Only       A.PIR         A.CIR
                   Tap          FC-Maps      CBS           Depth         O.PIR         O.CIR
-----
1 Net=be Port=9/2/1
                   be          be           66048 B      7680 B       1000000      0
                   be          be           39 KB        0            Max          0
-----
-*A:Dut-T#-----
```

When alarm information is pending:

```
*A:Dut-T# show pools 9/2/1 egress
=====
Pool Information
=====
Port                : 9/2/1
Application         : Egress                Pool Name          : pool1
CLI Config. Resv CBS : 10%                 Policy Name       : namedEgr
Resv CBS Step       : 1%                   Resv CBS Max      : 35%
Amber Alarm Threshold: 30%                 Red Alarm Threshold: 45%
-----
Queue-Groups
-----
```

Hardware Commands

```

Utilization                               State      Start-Avg   Max-Avg     Max-Prob
-----
High-Slope                               Down       70%         90%         80%
Low-Slope                                Down       50%         75%         80%

Time Avg Factor      : 7
Pool Total           : 258 KB
Pool Shared          : 192 KB           Pool Resv      : 66 KB
-----

Current Resv CBS     Provisioned   Rising       Falling      Alarm
%age                 all Queues   Alarm Thd    Alarm Thd    Color
-----

CBS Oversubscription Alarm Info Pending
Pool Total In Use    : 0 KB
Pool Shared In Use   : 0 KB           Pool Resv In Use : 0 KB
WA Shared In Use     : 0 KB

Hi-Slope Drop Prob  : 0           Lo-Slope Drop Prob : 0
-----

Name          Tap      FC-Maps      MBS          HP-Only      A.PIR      A.CIR
              Tap      FC-Maps      CBS          Depth        O.PIR      O.CIR
-----
1 Net=be Port=9/2/1
              be          66048 B     7680 B      1000000     0
              be          39 KB      0           Max         0
-----

*A:Dut-T#

```

In Use Stat Note:

The pool shared in use stat only increases when a queue is asking for a buffer outside it's reserved size. If all the buffers in a pool are assigned to queues within their reserved size, then only the reserved in use size will increase. In case of resv CBS oversubscription (CBS sum for all queues is bigger then pool resvCbs), it is possible that pool resv in use stat can increase above the actual pool reserved size. For example:

```

Pool Total      : 57344 KB
Pool Shared     : 32768 KB Pool Resv : 24576 KB

Pool Total In Use : 57344 KB
Pool Shared In Use : 0 KB Pool Resv In Use: 57344 KB

```

megapools

Syntax **megapools** *slot-number*
megapools *slot-number fp forwarding-plane [service-id service-id] [queue-group queue-group-name] [ingress | egress]*

Context show

Description This command displays megapool information. A megapool is a mechanism the IOM-3 flexpath traffic manager uses to allow oversubscription of buffer pools. Every buffer pool is created in the context of a megapool.

By default, all buffer pools are associated with a single megapool and the pools are not oversubscribed. When WRED queue support is enabled on the IOM, three megapools are used.

- The original megapool services the default and named pools.
- The second megapool services the system internal use pools.
- The third megapool is used by the buffer pools used by the WRED queues.

The traffic manager buffers are allocated to the three megapools without oversubscription. The WRED queue pools are allowed to oversubscribe their megapool, but the megapool protects the pools associated with the other megapools from buffer starvation that could be caused by that oversubscription.

Parameters

slot-number — Displays information for the specified card slot.

queue-group *queue-group-name* — Displays information for the specified port queue group name.

ingress — Displays ingress queue group information.

egress — Displays egress queue group information.

APS Show Commands

aps

Syntax **aps** [*aps-id*] [**detail**]

Context show

Description This command displays Automated Protection Switching (APS) information.

Parameters *aps-id* — Displays information for the specified APS group ID.

Values *aps-group-id*
 aps: keyword
 group-id: 1 — 128

detail — Displays detailed APS information.

Output **APS Output** — The following table describes APS output fields.

Label	Description
Interface	Specifies the APS interface name (the APS group port).
Admin State	Up — APS is administratively up. Down — APS port is administratively down.
Oper State	Up — APS port is operationally up. Down — APS is operationally down.
MC-CTL State	Specifies the multi-chassis state.
Work Circuit	Specifies the working circuit ID.
Prot Circuit	Specifies the physical port that acts as the protection circuit for this APS group.
Active Circuit	Specifies the active circuit.
Tx/Rx K1 Byte	Displays the value of the SONET/SDH K1 byte received or transmitted on the protection circuit.
Group Id	Displays the APS group name.
Protection Circuit	Displays the physical port that will act as the protection circuit for this APS group.
Switching-mode	Displays the switching mode of the APS group.
Switching-arch	The architecture of the APS group.

Label	Description (Continued)
Revertive-mode	Displays the revertive mode of the APS group. nonrevertive — Traffic remains on the protection line until another switch request is received. revertive — When the condition that caused a switch to the protection line has been cleared the signal is switched back to the working line.
Revert-time	Displays the configured time, in minutes, to wait after the working circuit has become functional again, before making the working circuit active again. If the revertive mode is non-revertive, then this field will be empty.
Rx K1/K2 byte	Displays the value of the SONET/SDH K1/K2 byte received on the interface.
Tx K1/K2 byte	Displays the value of the SONET/SDH K1/K2 byte transmitted on the interface.
Current APS Status	Displays the current APS status.
Mode Mismatch Cnt	Indicates the number of times a conflict occurs between the current local mode and the received K2 mode information.
Channel mismatch Cnt	Indicates the number of mismatches between the transmitted K1 channel and the received K2 channel has been detected.
PSB failure Cnt	Displays a count of Protection Switch Byte (PSB) failure conditions. This condition occurs when either an inconsistent APS byte or an invalid code is detected.
FEPL failure Cnt	Displays a count of far-end protection-line (FEPL) failure conditions. This condition is declared based on receiving SF on the protection line in the K1 byte.
No. of Switchovers	Displays the number of times a switchover has occurred.
Last Switchover	Displays the time stamp of the last switchover.
Switchover seconds	Displays the cumulative Protection Switching Duration (PSD) time in seconds. For a working channel, this is the cumulative number of seconds that service was carried on the protection line. For the protection line, this is the cumulative number of seconds that the protection line has been used to carry any working channel traffic. This information is only valid if revertive switching is enabled.
Signal Degrade Cnt	Displays the number of times the signal was degraded.

Label	Description (Continued)
Signal Failure Cnt	Displays the number of times the signal failed.
Last Switch Cmd	Reports the last switch command that was performed on a circuit.
Last Exercise Result	The result of the last exercise request on a circuit.
Neighbor address	Displays the neighbor IP address.
Advertise Interval	Displays the advertise interval.
Hold time	Displays the hold time.

Sample Output

show aps on a working multi-chassis APS node:

```

*A:Dut-A# show aps aps-1
=====
APS Group Info
=====
Interface Admin Oper MC-Ctl Work Prot Active Tx/Rx
           State State State Circuit Circuit Circuit K1 Byte
-----
aps-1 Up Up N/A 1/5/1 1/9/5 1/5/1 PC-Tx: No-Req
=====
*A:Dut-A#

*A:Dut-A# show aps aps-1 detail
=====
APS Group: aps-1
=====
Description : APS Group
Group Id : 1
Admin Status : Up
Working Circuit : 1/5/1
Switching-mode : Uni-1plus1
Revertive-mode : Non-revertive
Rx K1/K2 byte : 0x00/0x00 (No-Req on Protect)
Tx K1/K2 byte : 0x00/0x00 (No-Req on Protect)
Current APS Status : OK
Multi-Chassis APS : No
Neighbor : 0.0.0.0
Control link state : N/A
Advertise Interval : 1000 msec
APS SF Hold Time : 6000 msec
Mode mismatch Cnt : 0
PSB failure Cnt : 0
Active Circuit : 1/5/1
Oper Status : Up
Protection Circuit : 1/9/5
Switching-arch : 1+1(sig,data)
Revert-time (min) :
Hold Time : 3000 msec
APS SD Hold Time : 9000 msec
Channel mismatch Cnt : 0
FEPL failure Cnt : 0
-----
APS Working Circuit - 1/5/1
-----
Admin Status : Up
Oper Status : Up
    
```

Interface Configuration

```

Current APS Status : OK                No. of Switchovers : 0
Last Switchover    : None              Switchover seconds : 0
Signal Degrade Cnt : 1                Signal Failure Cnt  : 1
Last Switch Cmd    : No Cmd            Last Exercise Result : Unknown
Tx L-AIS           : None
  
```

APS Protection Circuit - 1/9/5

```

Admin Status      : Up                Oper Status       : Up
Current APS Status : OK                No. of Switchovers : 0
Last Switchover   : None              Switchover seconds : 0
Signal Degrade Cnt : 1                Signal Failure Cnt  : 1
Last Switch Cmd   : No Cmd            Last Exercise Result : Unknown
Tx L-AIS          : None
  
```

*A:Dut-A#

show aps on protect MC-APS node:

B:Dut-E# show aps

APS Group Info

Interface	Admin	Oper	MC-Ctl	Work	Prot	Active	Tx/Rx
		State	State	State	Circuit	Circuit	Circuit K1 Byte
aps-20	Up	Up	N/A	3/1/1	3/1/2	3/1/1	PC-Tx: No-Req

B:Dut-E#

B:Dut-E# show aps aps-30 detail

APS Group: aps-30

```

Description      : APS Group
Group Id         : 30                Active Circuit    : N/A
Admin Status     : Up                Oper Status      : Up
Working Circuit  : N/A                Protection Circuit : 2/2/2
Switching-mode   : Bi-directional    Switching-arch   : 1+1
Revertive-mode   : Non-revertive      Revert-time (min) :
Rx K1/K2 byte    : 0x00/0x05 (No-Req on Protect)
Tx K1/K2 byte    : 0x00/0x05 (No-Req on Protect)
Current APS Status : OK
Multi-Chassis APS : Yes
Neighbor         : 13.1.1.1
Control link state : Up
Advertise Interval : 1000 msec        Hold time         : 3000 msec
Mode mismatch Cnt : 0                Channel mismatch Cnt : 0
PSB failure Cnt  : 0                FEPL failure Cnt  : 1
  
```

APS Working Circuit - Neighbor

```

Admin Status      : N/A                Oper Status       : N/A
Current APS Status : OK                No. of Switchovers : 0
Last Switchover   : None              Switchover seconds : 0
Signal Degrade Cnt : 0                Signal Failure Cnt  : 0
  
```

APS Show Commands

```
Last Switch Cmd      : No Cmd          Last Exercise Result : Unknown
Tx L-AIS             : None
```

```
-----
APS Protection Circuit - 2/2/2
-----
```

```
Admin Status        : Up              Oper Status          : Up
Current APS Status  : OK              No. of Switchovers   : 0
Last Switchover     : None            Switchover seconds   : 0
Signal Degrade Cnt  : 0              Signal Failure Cnt    : 0
Last Switch Cmd     : No Cmd          Last Exercise Result  : Unknown
Tx L-AIS           : None
```

```
-----
B:Dut-E#
```

Port Show Commands

port

Syntax **port** *port-id* [count] [detail]
port *port-id* description
port *port-id* associations
port *port-id* atm connections
port *port-id* atm cp
port *port-id* atm ilmi
port *port-id* atm port-connection [detail]
port *port-id* atm pvc [*vpi/vci*] [detail]
port *port-id* atm pvp [*vpi*] [detail]
port *port-id* atm pvt [*vpi-range*] [detail]
port *port-id* cisco-hdlc
port *port-id* ppp [detail]
port *port-id* queue-group [ingress|egress] [queue-group-name] [access|network] [statistics|associations]
port *port-id* mlfr-link [detail]
port *port-id* otu [detail]
port *port-id* frame-relay [detail]
port aps [detail]
port cem
port *port-id* ethernet [efm-oam | detail]
port *port-id* dot1x [detail]
port *port-id* vport [*vport-name*] associations

Context show

Description This command displays port or channel information.

If no command line options are specified, the command port displays summary information for all ports on provisioned MDAs.

Parameters *port-id* — Specifies the physical port ID in the form *slot/mda/port*.

Syntax	port-id	<i>slot[/mda[/port]]</i> or <i>slot/mda/port[.channel]</i>
	aps-id	<i>aps-group-id[.channel]</i>
	aps	keyword
	group-id	1 — 16

MDA Values 7710 SR-c4: 1, 3

CMA Values 7710 SR-c4: 1— 4

Port Values 1 — 60 (depending on the MDA type)

associations — Displays a list of current router interfaces to which the port is associated.

Port Show Commands

cisco-hdlc — Displays Cisco HDLC port information.

count — Displays only port counter summary information.

description — Displays port description strings.

dot1x — Displays information about 802.1x status and statistics.

down-when-looped — Displays status of port and whether the feature is enabled.

ethernet — Displays ethernet port information.

efm-oam — Displays EFM OAM information.

detail — Displays detailed information about the Ethernet port.

frame-relay — Displays Frame Relay information.

ppp — Displays PPP protocol information for the port.

mlfr-link — Displays link-based MLFR information for the port.

detail — Provides detailed information.

Output Port Output — The following tables describe port output fields:

- [General Port Output Fields on page 410](#)
- [Entering port ranges: on page 416](#)
- [Specific Port Output Fields on page 416](#)
- [Detailed Port Output Fields on page 423](#)
- [Ethernet Output Fields on page 429](#)
- [Ethernet-Like Medium Statistics Output Fields on page 432](#)
- [Port Associations Output Fields on page 433](#)
- Port Frame Relay Output Fields
- [PPP Output Fields on page 483](#)

Label	Description
Port ID	The port ID configured or displayed in the <i>slot/mda/port</i> format.
Admin State	Up — The administrative state is up. Down — The administrative state is down.
Phy Link	Yes — A physical link is present. No — A physical link is not present.
Port State	Up — The port is physically present and has physical link present. Down — The port is physically present but does not have a link. Note that this state may also be considered as Link Down. Ghost — A port that is not physically present.

Label	Description (Continued)
	<p>None — The port is in its initial creation state or about to be deleted.</p> <p>Link Up — A port that is physically present and has physical link present.</p> <p>Note that when Link Up appears at the lowest level of a SONET/SDH path or a TDM tributary, it means the physical connection is active but the port is waiting on some other state before data traffic can flow. It is a waiting state and indicates that data traffic will not flow until it transitions to the Up state.</p>
Cfg MTU	The configured MTU.
Oper MTU	<p>The negotiated size of the largest packet which can be sent on the port SONET/SDH, channel, specified in octets.</p> <p>For channels that are used for transmitting network datagrams, this is the size of the largest network datagram that can be sent on the channel.</p>
LAG ID	The LAG or multi-link trunk (MLT) that the port is assigned to.
Port Mode	<p>network — The port is configured for transport network use.</p> <p>access — The port is configured for service access.</p>
Port Encap	<p>Null — Ingress frames will not use tags or labels to delineate a service.</p> <p>dot1q — Ingress frames carry 802.1Q tags where each tag signifies a different service.</p>
Port Type	The type of port or optics installed.
SFP/MDI MDX	<p>GIGE — Indicates the GigE SFP type.</p> <p>FASTE — Indicates the FastE SFP type.</p> <p>GIGX — Indicates the GigX SFP type.</p> <p>MDI — Indicates that the Ethernet interface is of type MDI (Media Dependent Interface).</p> <p>MDX — Indicates that the Ethernet interface is of type MDX (Media Dependent Interface with crossovers).</p>

Sample Output

```
A:SR12# show port 3/1/1 atm cp
```

```

=====
ATM Connection Profiles, Port 3/1/1
=====
CP          Owner  Type      Ing.TD  Egr.TD  Adm  OAM      Opr

```

Port Show Commands

```

-----
5          SAP    CP      1      1      -      -      -
9          SAP    CP      1      1      -      -      -
=====

A:SR12# show port 3/1/1 atm cp detail

=====
ATM Connection Profile, Port 3/1/1
=====
CP          Owner  Type      Ing.TD  Egr.TD  Adm  OAM      Opr
-----
5          SAP    CP      1      1      -    -      -

=====ATM Connection
Profile Statistics
=====
Input                Output
-----Octets
0                    0
Cells                0                    0
Dropped CLP=0 Cells  0                    0
Dropped Cells (CLP=0+1) 0
Tagged Cells        0
=====

ATM Connection Profile, Port 3/1/1
=====
CP          Owner  Type      Ing.TD  Egr.TD  Adm  OAM      Opr
-----
9          SAP    CP      1      1      -    -      -

=====ATM Connection
Profile Statistics
=====
Input                Output
-----Octets
0                    0
Cells                0                    0
Dropped CLP=0 Cells  0                    0
Dropped Cells (CLP=0+1) 0
Tagged Cells        0
=====

A:SR12# show port 3/1/1 atm cp 5

=====ATM Connection
Profile
=====Port Id
: 3/1/1          Connection Profile : 5
Owner            : SAP                Endpoint Type    : CP
Ing. Td Idx     : 1                Egr. Td Idx    : 1
=====

A:SR12# show port 3/1/1 atm cp 5 detail

=====ATM Connection
Profile
=====Port Id

```

Interface Configuration

```

: 3/1/1          Connection Profile : 5
Owner           : SAP                Endpoint Type   : CP
Ing. Td Idx    : 1                  Egr. Td Idx    : 1
=====
=====ATM Connection
Profile Statistics
=====
Input           Output
-----
0               0
-----Octets
Cells           0               0
Dropped CLP=0 Cells      0               0
Dropped Cells (CLP=0+1) 0
Tagged Cells          0
=====

*B:Dut-A# show port 2/1/4 atm pvc 20/21 detail

===== ATM PVC
===== Port Id
: 2/1/4          VPI/VCI           : 20/21
Admin State     : up                Oper state      : up
OAM State       : up                Encap Type     : n/a
Owner           : SAP                AAL Type       : n/a
Endpoint Type   : PVC                Cast Type      : P2P
Ing. Td Idx    : 1                  Egr. Td Idx    : 1
Last Changed    : 11/01/2010 13:46:16 ILMI Vpi/Vci Range : n/a
=====

=====
ATM Statistics
=====
Input           Output
-----
Octets           855155
Cells            16135
CLP=0 Cells      16135
Dropped CLP=0 Cells      0
Dropped Cells (CLP=0+1) 0
Tagged Cells          0
=====

ATM OAM Statistics
=====
Input           Output
-----
AIS              0               28
RDI              0               0
Loopback         0               0
CRC-10 Errors    0
Other            0
=====

*B:Dut-A# show port 2/1/4 atm cp

=====
ATM Connection Profiles, Port 2/1/4
=====
CP           Owner  Type      Ing.TD  Egr.TD  Adm  OAM      Opr

```

Port Show Commands

```
-----
10      SAP   CP    1    1    -    -    -
20      SAP   CP    1    1    -    -    -
=====

*B:Dut-A# show port 2/1/4 atm cp 10

===== ATM Connection
Profile
===== Port Id
: 2/1/4          Connection Profile : 10
Owner           : SAP                Endpoint Type   : CP
Ing. Td Idx    : 1                  Egr. Td Idx    : 1
=====

*A:ALU-211# show port 1/1/2
=====
Ethernet Interface
=====
Description      : 10/100 Ethernet TX
Interface        : 1/1/2              Oper Speed      : 100 mbps
Link-level       : Ethernet           Config Speed    : 100 mbps
Admin State      : up                 Oper Duplex     : full
Oper State       : up - Active in LAG 10 Config Duplex   : full
Physical Link    : Yes                MTU             : 1514
Single Fiber Mode : No
IfIndex          : 35717120           Hold time up    : 0 seconds
Last State Change : 12/16/2008 19:31:40 Hold time down  : 0 seconds
Last Cleared Time : 12/16/2008 19:31:48
.....
=====
*A:ALU-211#

*A:ALU-211# show port 1/1/2
=====
Ethernet Interface
=====
Description      : 10/100 Ethernet TX
Interface        : 1/1/2              Oper Speed      : 100 mbps
Link-level       : Ethernet           Config Speed    : 100 mbps
Admin State      : up                 Oper Duplex     : full
Oper State       : down - Standby in LAG 10 Config Duplex   : full
Physical Link    : Yes                MTU             : 1514
Single Fiber Mode : No
IfIndex          : 35717120           Hold time up    : 0 seconds
Last State Change : 12/16/2008 18:28:52 Hold time down  : 0 seconds
Last Cleared Time : 12/16/2008 18:28:51
...
=====
*A:ALU-211#
*A:Dut-C#
  5)
show port slot/mda/2 => offramp port info
show port slot/mda/3 => onramp port info

*A:Dut-C# show port 2/1/2

=====
```

Interface Configuration

```

ISA-TMS Port
=====
Description      : TMS
Port             : 2/1/2
Last State Change : 09/14/2011 07:03:49
Admin State      : up
Oper State       : up

Configured Mode  : network
Net. Egr. Queue *: default
=====
* indicates that the corresponding row element may have been truncated.

Port Statistics
=====

```

	Input	Output
-----	-----	-----
Unicast Packets	35365	254
Multicast Packets	0	0
Broadcast Packets	0	0
Discards	0	0
Unknown Proto Discards	0	
-----	-----	-----

```

=====
Ethernet-like Medium Statistics
=====
Alignment Errors : 0 Sngl Collisions : 0
FCS Errors       : 0 Mult Collisions : 0
SQE Test Errors  : 0 Late Collisions : 0
CSE              : 0 Excess Collisns : 0
Too long Frames  : 0 Int MAC Tx Errs  : 0
Symbol Errors    : 0 Int MAC Rx Errs : 0
=====
*A:Dut-C# show port 2/1/3

ISA-TMS Port
=====
Description      : TMS
Port             : 2/1/3
Last State Change : 09/14/2011 07:03:49
Admin State      : up
Oper State       : up

Configured Mode  : network
Net. Egr. Queue *: default
=====
* indicates that the corresponding row element may have been truncated.

Port Statistics
=====

```

	Input	Output
-----	-----	-----
Unicast Packets	1	35710
Multicast Packets	0	0
Broadcast Packets	0	0
Discards	0	0
Unknown Proto Discards	0	
-----	-----	-----

```

=====

```

Port Show Commands

```

Ethernet-like Medium Statistics
=====
Alignment Errors :                0  Sngl Collisions :                0
FCS Errors       :                0  Mult Collisions :                0
SQE Test Errors  :                0  Late Collisions :                0
CSE              :                0  Excess Collisns :                0
Too long Frames  :                0  Int MAC Tx Errs :                0
Symbol Errors    :                0  Int MAC Rx Errs :                0
=====

```

Entering port ranges:

```

*A:ALU-1# configure port 1/1/[1..3] shut
*A:ALU-1# show port 1/1
=====
Ports on Slot 1
=====
Port      Admin Link Port  Cfg Oper LAG/ Port Port Port  SFP/XFP/
Id        State  State  MTU  MTU  Bndl Mode Encp Type  MDIMDX
-----
1/1/1     Down  No   Down  1518 1518   1 accs dotq gige
1/1/2     Down  No   Down  1578 1578   - netw null gige
1/1/3     Down  No   Down  1578 1578   - netw null gige
1/1/4     Up    No   Down  1514 1514   - accs null gige
1/1/5     Up    No   Down  1578 1578   - netw null gige
=====
*A:ALU-1#

```

Specific Port Output — The following table describes port output fields for a specific port.

Label	Description
Description	A text description of the port.
Interface	The port ID displayed in the <i>slot/mda/port</i> format.
Speed	The speed of the interface.
Link-level	Ethernet — The port is configured as Ethernet. SONET — The port is configured as SONET-SDH.
MTU	The size of the largest packet which can be sent/received on the Ethernet physical interface, specified in octets.
Admin State	Up — The port is administratively up. Down — The port is administratively down.
Oper State	Up — The port is operationally up. Down — The port is operationally down. Additionally, the <i>lag-id</i> of the LAG it belongs to in addition to the status of the LAG member (active or standby) is specified.

Label	Description (Continued)
Duplex	Full – The link is set to full duplex mode. Half – The link is set to half duplex mode.
Hold time up	The link up dampening time in seconds. The port link dampening timer value which reduces the number of link transitions reported to upper layer protocols.
Hold time down	The link down dampening time in seconds. The down timer controls the dampening timer for link down transitions.
Physical Link	Yes – A physical link is present. No – A physical link is not present.
IfIndex	Displays the interface's index number which reflects its initialization sequence.
Last State chg	Displays the system time moment that the peer is up.
Last State Change	Displays the system time moment that the MC-LAG group is up.
Configured Mode	network – The port is configured for transport network use. access – The port is configured for service access.
Dot1Q Ethertype	Indicates the Ethertype expected when the port's encapsulation type is Dot1Q.
QinQ Ethertype	Indicates the Ethertype expected when the port's encapsulation type is QinQ.
Net. Egr. Queue Pol	Specifies the network egress queue policy or that the default policy is used.
Encap Type	Null – Ingress frames will not use any tags or labels to delineate a service. dot1q – Ingress frames carry 802.1Q tags where each tag signifies a different service.
Active Alarms	The number of alarms outstanding on this port.
Auto-negotiate	True – The link attempts to automatically negotiate the link speed and duplex parameters. False – The duplex and speed values are used for the link.
Alarm State	The current alarm state of the port.

Port Show Commands

Label	Description (Continued)
Collect Stats	<p>Enabled — The collection of accounting and statistical data for the network Ethernet port is enabled. When applying accounting policies the data by default will be collected in the appropriate records and written to the designated billing file.</p> <p>Disabled — Collection is disabled. Statistics are still accumulated by the CFM cards, however, the CPU will not obtain the results and write them to the billing file.</p>
Egress Rate	The maximum amount of egress bandwidth (in kilobits per second) that this Ethernet interface can generate.
Egress Buf (Acc)	The access-buffer policy for the egress buffer.
Egress Buf (Net)	The network-buffer policy for the egress buffer.
Egress Pool Size	The amount of egress buffer space, expressed as a percentage of the available buffer space that will be allocated to the port or channel for egress buffering.
Ingress Buf (Acc)	The access-buffer policy for the ingress buffer.
Ingress Pool Size	The amount of ingress buffer space, expressed as a percentage of the available buffer space that will be allocated to the port or channel for ingress buffering.
OTU	OTU encapsulation status.
Configured Address	The base chassis Ethernet MAC address.
Hardware Address	The interface's hardware or system assigned MAC address at its protocol sub-layer.
Transceiver Type	Type of the transceiver.
Model Number	The model number of the transceiver.
Transceiver Code	The code for the transmission media.
Laser Wavelength	The light wavelength transmitted by the transceiver's laser.
Connector Code	The vendor organizationally unique identifier field (OUI) contains the IEEE company identifier for the vendor.
Diag Capable	Indicates if the transceiver is capable of doing diagnostics.
Vendor OUI	The vendor-specific identifier field (OUI) contains the IEEE company identifier for the vendor.
Manufacture date	The manufacturing date of the hardware component in the mmddyyyy ASCII format.

Label	Description (Continued)
Media	The media supported for the SFP.
Serial Number	The vendor serial number of the hardware component.
Part Number	The vendor part number contains ASCII characters, defining the vendor part number or product name.
Input/Output	When the collection of accounting and statistical data is enabled, then octet, packet, and error statistics are displayed.
Description	A text description of the port.
Interface	The port ID displayed in the <i>slot/mda/port</i> format.
Speed	The speed of the interface
Link-level	Ethernet – The port is configured as Ethernet. SONET – The port is configured as SONET-SDH
MTU	The size of the largest packet which can be sent/received on the Ethernet physical interface, specified in octets.
Admin State	Up – The port is administratively up. Down – The port is administratively down.
Oper State	Up – The port is operationally up. Down – The port is operationally down.
Duplex	Full – The link is set to full duplex mode. Half – The link is set to half duplex mode.
Hold time up	The link up dampening time in seconds. The port link dampening timer value which reduces the number of link transitions reported to upper layer protocols.
Hold time down	The link down dampening time in seconds. The down timer controls the dampening timer for link down transitions.
IfIndex	Displays the interface's index number which reflects its initialization sequence.
Phy Link	Yes – A physical link is present. No – A physical link is not present.
Configured Mode	network – The port is configured for transport network use. access – The port is configured for service access.
Network Qos Pol	The network QoS policy ID applied to the port.

Port Show Commands

Label	Description (Continued)
Encap Type	<p>Null – Ingress frames will not use any tags or labels to delineate a service.</p> <p>dot1q – Ingress frames carry 802.1Q tags where each tag signifies a different service.</p>
Active Alarms	The number of alarms outstanding on this port.
Auto-negotiate	<p>True – The link attempts to automatically negotiate the link speed and duplex parameters.</p> <p>False – The duplex and speed values are used for the link.</p>
Alarm State	The current alarm state of the port.
Collect Stats	<p>Enabled – The collection of accounting and statistical data for the network Ethernet port is enabled. When applying accounting policies the data by default will be collected in the appropriate records and written to the designated billing file.</p> <p>Disabled – Collection is disabled. Statistics are still accumulated by the CFM cards, however, the CPU will not obtain the results and write them to the billing file.</p>
Down-When-Looped	Shows whether the feature is enabled or disabled.
Egress Rate	The maximum amount of egress bandwidth (in kilobits per second) that this Ethernet interface can generate.
Egress Buf (Acc)	The access-buffer policy for the egress buffer.
Egress Buf (Net)	The network-buffer policy for the egress buffer.
Ingress Buf (Acc)	The access-buffer policy for the ingress buffer.
Ingress Pool Size	The amount of ingress buffer space, expressed as a percentage of the available buffer space, that will be allocated to the port or channel for ingress buffering.
Configured Address	The base chassis Ethernet MAC address.
Hardware Address	The interface's hardware or system assigned MAC address at its protocol sub-layer.

Label	Description (Continued)
Errors Input/ Output	<p>For packet-oriented interfaces, the number of inbound packets that contained errors preventing them from being deliverable to a higher-layer protocol. For character-oriented or fixed-length interfaces, the number of inbound transmission units that contained errors preventing them from being deliverable to a higher-layer protocol.</p> <p>For packet-oriented interfaces, the number of outbound packets that could not be transmitted because of errors. For character-oriented or fixed-length interfaces, the number of outbound transmission units that could not be transmitted because of errors.</p>
Unicast Packets Input/Output	<p>The number of packets, delivered by this sub-layer to a higher (sub-) layer, which were not addressed to a multicast or broadcast address at this sub-layer. The total number of packets that higher-level protocols requested be transmitted, and which were not addressed to a multicast or broadcast address at this sub-layer, including those that were discarded or not sent.</p>
Multicast Packets Input/Output	<p>The number of packets, delivered by this sub-layer to a higher (sub-) layer, which were addressed to a multicast address at this sub-layer. For a MAC layer protocol, this includes both group and functional addresses. The total number of packets that higher-level protocols requested be transmitted, and which were addressed to a multicast address at this sub-layer, including those that were discarded or not sent. For a MAC layer protocol, this includes both Group and Functional addresses.</p>
Broadcast Packets Input/Output	<p>The number of packets, delivered by this sub-layer to a higher (sub-) layer, which were addressed to a broadcast address at this sub-layer. The total number of packets that higher-level protocols requested be transmitted, and which were addressed to a multicast address at this sub-layer, including those that were discarded or not sent. For a MAC layer protocol, this includes both Group and Functional addresses.</p>
Discards Input/ Output	<p>The number of inbound packets chosen to be discarded to possibly free up buffer space.</p>
Unknown Protocol Discards Input/ Output	<p>For packet-oriented interfaces, the number of packets received through the interface which were discarded because of an unknown or unsupported protocol. For character-oriented or fixed-length interfaces that support protocol multiplexing the number of transmission units received via the interface which were discarded because of an unknown or unsupported protocol. For any interface that does not support protocol multiplexing, this counter will always be 0. For ATM, this field displays cells discarded on an invalid vpi/vci. Unknown protocol discards do not show up in the packet counts.</p>
Errors	<p>This field displays the number of cells discarded due to uncorrectable HEC errors. Errors do not show up in the raw cell counts.</p>

Port Show Commands

Label	Description (Continued)
Sync. Status Msg	Whether synchronization status messages are enabled or disabled.
Tx DUS/DNU	Whether the QL value is forcibly set to QL-DUS/QL-DNU.
Rx Quality Level	Indicates which QL value has been received from the interface.
Tx Quality Level	Indicates which QL value is being transmitted out of the interface.
SSM Code Type	Indicates the SSM code type in use on the port.

Detailed Port Output — The following table describes detailed port output fields.

Label	Description
Description	A text description of the port.
Interface	The port ID displayed in the <i>slot/mda/port</i> format.
Speed	The speed of the interface.
Link-level	Ethernet — The port is configured as Ethernet. SONET — The port is configured as SONET/SDH.
MTU	The size of the largest packet which can be sent/received on the Ethernet physical interface, specified in octets.
Admin State	Up — The port is administratively up. Down — The port is administratively down.
Oper State	Up — The port is operationally up. Down — The port is operationally down.
Duplex	Full — The link is set to full duplex mode. Half — The link is set to half duplex mode.
Hold time up	The link up dampening time in seconds. The port link dampening timer value which reduces the number of link transitions reported to upper layer protocols.
Hold time down	The link down dampening time in seconds. The down timer controls the dampening timer for link down transitions.
IfIndex	Displays the interface's index number which reflects its initialization sequence.
Phy Link	Yes — A physical link is present. No — A physical link is not present.
Configured Mode	network — The port is configured for transport network use. access — The port is configured for service access.
Network Qos Pol	The QoS policy ID applied to the port.
Access Egr. Qos	Specifies the access egress policy or that the default policy 1 is in use.
Egr. Sched. Pol	Specifies the port scheduler policy or that the default policy default is in use.
Encap Type	Null — Ingress frames will not use any tags or labels to delineate a service.

Port Show Commands

Label	Description (Continued)
	dot1q – Ingress frames carry 802.1Q tags where each tag signifies a different service.
Active Alarms	The number of alarms outstanding on this port.
Auto-negotiate	True – The link attempts to automatically negotiate the link speed and duplex parameters. False – The duplex and speed values are used for the link.
Alarm State	The current alarm state of the port.
Collect Stats	Enabled – The collection of accounting and statistical data for the network Ethernet port is enabled. When applying accounting policies the data by default will be collected in the appropriate records and written to the designated billing file. Disabled – Collection is disabled. Statistics are still accumulated by the CFM cards, however, the CPU will not obtain the results and write them to the billing file.
Down-When-Looped	Shows whether the feature is enabled or disabled.
Egress Rate	The maximum amount of egress bandwidth (in kilobits per second) that this Ethernet interface can generate.
Egress Buf (Acc)	The access-buffer policy for the egress buffer.
Egress Buf (Net)	The network-buffer policy for the egress buffer.
Egress Pool Size	The amount of egress buffer space, expressed as a percentage of the available buffer space that will be allocated to the port or channel for egress buffering.
Ingress Buf (Acc)	The access-buffer policy for the ingress buffer.
Ingress Pool Size	The amount of ingress buffer space, expressed as a percentage of the available buffer space, that will be allocated to the port or channel for ingress buffering.
Configured Address	The base chassis Ethernet MAC address.
Hardware Address	The interface's hardware or system assigned MAC address at its protocol sub-layer.

Label	Description (Continued)
Errors Input/ Output	<p>For packet-oriented interfaces, the number of inbound packets that contained errors preventing them from being deliverable to a higher-layer protocol. For character-oriented or fixed-length interfaces, the number of inbound transmission units that contained errors preventing them from being deliverable to a higher-layer protocol.</p> <p>For packet-oriented interfaces, the number of outbound packets that could not be transmitted because of errors. For character-oriented or fixed-length interfaces, the number of outbound transmission units that could not be transmitted because of errors.</p>
Unicast Packets Input/Output	<p>The number of packets, delivered by this sub-layer to a higher (sub-) layer, which were not addressed to a multicast or broadcast address at this sub-layer. The total number of packets that higher-level protocols requested be transmitted, and which were not addressed to a multicast or broadcast address at this sub-layer, including those that were discarded or not sent.</p>
Multicast Pack- ets Input/Output	<p>The number of packets, delivered by this sub-layer to a higher (sub-) layer, which were addressed to a multicast address at this sub-layer. For a MAC layer protocol, this includes both Group and Functional addresses. The total number of packets that higher-level protocols requested be transmitted, and which were addressed to a multicast address at this sub-layer, including those that were discarded or not sent. For a MAC layer protocol, this includes both Group and Functional addresses.</p>
Broadcast Pack- ets Input/Output	<p>The number of packets, delivered by this sub-layer to a higher (sub-) layer, which were addressed to a broadcast address at this sub-layer. The total number of packets that higher-level protocols requested be transmitted, and which were addressed to a multicast address at this sub-layer, including those that were discarded or not sent. For a MAC layer protocol, this includes both Group and Functional addresses.</p>
Discards Input/ Output	<p>The number of inbound packets chosen to be discarded to possibly free up buffer space.</p>
Unknown Proto Discards Input/ Output	<p>For packet-oriented interfaces, the number of packets received through the interface which were discarded because of an unknown or unsupported protocol. For character-oriented or fixed-length interfaces that support protocol multiplexing the number of transmission units received via the interface which were discarded because of an unknown or unsupported protocol. For any interface that does not support protocol multiplexing, this counter will always be 0. For ATM, this field displays cells discarded on an invalid vpi/vci. Unknown proto discards do not show up in the packet counts.</p>

Port Show Commands

Label	Description (Continued)
Errors	For ATM, this field displays the number of cells discarded due to uncorrectable HEC errors. Errors do not show up in the raw cell counts.
LLF Admin State	Displays the Link Loss Forwarding administrative state.
LLF Oper State	Displays the Link Loss Forwarding operational state.
Rx S1 Byte	Displays the received S1 byte and its decoded QL value.

Sample Output

```
A:ALA-251# show port 1/2/1 detail
=====
Ethernet Interface
=====
Description       : 10/100 Ethernet TX
Interface         : 1/2/1
Link-level       : Ethernet
Admin State      : up
Oper State       : down
Physical Link    : No
IfIndex         : 37781504
Last State Change : 01/03/2008 15:17:00
Last Cleared Time : 01/03/2008 15:17:01
Last Cleared Time : 01/03/2008 15:17:01

Oper Speed       : 0 mbps
Config Speed    : 100 mbps
Oper Duplex     : N/A
Config Duplex   : full
MTU             : 1514
Hold time up    : 0 seconds
Hold time down  : 0 seconds

Configured Mode  : network
Dot1Q Ethertype : 0x8100
PBB Ethertype   : 0x88e7
Ing. Pool % Rate : 100
Net. Egr. Queue Pol: default
Egr. Sched. Pol : n/a
Auto-negotiate  : false
Accounting Policy : None
Egress Rate     : Default
Load-balance-algo : default

Encap Type      : null
QinQ Ethertype  : 0x8100
Egr. Pool % Rate : 100

MDI/MDX        : unknown
Collect-stats   : Disabled
Ingress Rate    : Default
LACP Tunnel     : Disabled

Down-when-looped : Disabled
Loop Detected    : False

Keep-alive      : 10
Retry           : 120

Sync. Status Msg. : Enabled
Tx DUS/DNU       : Disabled
SSM Code Type    : sonet

Rx Quality Level : 0xa(eec2)
Tx Quality Level : 0xa(eec2)

Configured Address : 00:21:05:7e:b1:48

Hardware Address  : 14:30:01:02:00:01
Cfg Alarm        :
Alarm Status

=====
Traffic Statistics
=====
Input           Output
```

Interface Configuration

```

-----
Octets                0                0
Packets              0                0
Errors               0                0
=====
Ethernet Statistics
=====
Broadcast Pkts   :          0 Drop Events   :          0
Multicast Pkts  :          0 CRC/Align Errors :          0
Undersize Pkts  :          0 Fragments    :          0
Oversize Pkts   :          0 Jabbers      :          0
Collisions      :          0

Octets           :          0
Packets          :          0
Packets of 64 Octets :          0
Packets of 65 to 127 Octets :          0
Packets of 128 to 255 Octets :          0
Packets of 256 to 511 Octets :          0
Packets of 512 to 1023 Octets :          0
Packets of 1024 to 1518 Octets :          0
Packets of 1519 or more Octets :          0
=====
Port Statistics
=====
                                     Input          Output
-----
Unicast Packets                0                0
Multicast Packets              0                0
Broadcast Packets              0                0
Discards                      0                0
Unknown Proto Discards        0
=====
Ethernet-like Medium Statistics
=====
Alignment Errors :          0 Sngl Collisions :          0
FCS Errors       :          0 Mult Collisions  :          0
SQE Test Errors  :          0 Late Collisions :          0
CSE              :          0 Excess Collisns :          0
Too long Frames  :          0 Int MAC Tx Errs  :          0
Symbol Errors    :          0 Int MAC Rx Errs  :          0
=====
Queue Statistics
=====
Ingress Queue  1          Packets          Octets
  In Profile forwarded :          0          0
  In Profile dropped   :          0          0
  Out Profile forwarded :          0          0
...
Egress Queue   8          Packets          Octets
  In Profile forwarded :          0          0
  In Profile dropped   :          0          0
  Out Profile forwarded :          0          0
  Out Profile dropped   :          0          0
=====
A:ALA-251#

A:ALA-251# show port 1/1/1

```

Port Show Commands

```

=====
Ethernet Interface
=====
Description      : 1-Gi Ethernet SFP
Interface        : 1/1/1                      Oper Speed   : N/A
Link-level       : Ethernet                  Config Speed : N/A
Admin State      : up                       Oper Duplex  : N/A
Oper State       : down                     Config Duplex: N/A
Physical Link    : No                       MTU          : 1514
IfIndex          : 35815424                 Hold time up : 0 seconds
Last State Change : 06/06/2007 13:35:41 Hold time down : 0 seconds
Last Cleared Time : N/A

Configured Mode  : access                    Encap Type   : null
Dot1Q Ethertype : 0x8100                    QinQ Ethertype: 0x8100
Net. Egr. Queue Pol: default
Egr. Sched. Pol : n/a
Auto-negotiate  : true                      MDI/MDX     : N/A
Accounting Policy : None                    Collect-stats : Disabled
Egress Rate     : Default                    Ingress Rate : Default
Load-balance-algo : default                  LACP Tunnel  : Disabled

Down-when-looped : Disabled                 Keep-alive   : 10
Loop Detected    : False                    Retry        : 120

Sync. Status Msg. : Enabled                 Rx Quality Level : 0xa(eec2)
Tx DUS/DNU       : Disabled                 Tx Quality Level : 0xa(eec2)
SSM Code Type    : sonet

Configured Address : 00:21:05:7e:b1:48
Hardware Address  : 8c:1f:01:01:00:05
Cfg Alarm         :
Alarm Status      : linkLossFwd
=====
Traffic Statistics
=====
                                     Input          Output
-----
Octets                0                42302904
Packets               0                547917
Errors                0                0
=====
Port Statistics
=====
                                     Input          Output
-----
Unicast Packets      0                0
Multicast Packets    0                296019
Broadcast Packets    0                251898
Discards             0                0
Unknown Proto Discards 0                0
=====
Ethernet-like Medium Statistics
=====
Alignment Errors : 0 Sngl Collisions : 0
FCS Errors       : 0 Mult Collisions : 0
SQE Test Errors  : 0 Late Collisions : 0
CSE              : 0 Excess Collisns : 0
Too long Frames  : 0 Int MAC Tx Errs : 0

```

```

Symbol Errors      :                0  Int MAC Rx Errs   :                0
=====
A:ALA-251#

```

Ethernet Output Fields

```
A:7210-SAS># show port 1/1/2 detail
```

```

*A:Bennet-Dut-A# show port 1/1/2 vport "vp1"
=====
Ethernet port 1/1/2 Access Egress vport
=====
VPort Name      : vp1
Description     : (Not Specified)
Sched Policy    : psp

Host-Matches
-----
Dest: dslaml
-----
=====
*A:Bennet-Dut-A#

```

```

*A:Bennet-Dut-A# show port 1/1/2 vport "vp1" associations
=====
Ethernet port 1/1/2 Access Egress vport
=====
-----
VPort "vp1"
-----
svc-id : 1
sap    : 1/1/2:1
subscr: s1
ip     : 1.1.1.2
mac    : 00:00:00:00:00:01  pppoe-sid: N/A
=====
*A:Bennet-Dut-A

```

Ethernet Output — The following table describes Ethernet output fields.

Label	Description
Broadcast Pckts	The number of packets, delivered by this sub-layer to a higher (sub-) layer, which were addressed to a broadcast address at this sub-layer. The total number of packets that higher-level protocols requested be transmitted, and which were addressed to a multicast address at this sub-layer, including those that were discarded or not sent. For a MAC layer protocol, this includes both Group and Functional addresses.
Multicast Pckets	The number of packets, delivered by this sub-layer to a higher (sub-) layer, which were addressed to a multicast address at this sub-layer. For a MAC layer protocol, this includes both Group and Functional addresses. The total number of packets that higher-level protocols requested be transmitted, and which were addressed to a multicast address at this sub-layer, including those that were discarded or not sent. For a MAC layer protocol, this includes both Group and Functional addresses.
Undersize Pckets	The total number of packets received that were less than 64 octets long (excluding framing bits, but including FCS octets) and were otherwise well formed.
Oversize Pckts	The total number of packets received that were longer than can be accepted by the physical layer of that port (9900 octets excluding framing bits, but including FCS octets for GE ports) and were otherwise well formed.
Collisions	The best estimate of the total number of collisions on this Ethernet segment.
Drop Events	The total number of events in which packets were dropped by the probe due to lack of resources. Note that this number is not necessarily the number of packets dropped; it is just the number of times this condition has been detected.
CRC Align Errors	The total number of packets received that had a length (excluding framing bits, but including FCS octets) of between 64 and 1518 octets, inclusive, but had either a bad Frame Check Sequence (FCS) with an integral number of octets (FCS Error) or a bad FCS with a non-integral number of octets (Alignment Error).
Fragments	The total number of packets received that were less than 64 octets in length (excluding framing bits but including FCS octets) and had either a bad Frame Check Sequence (FCS) with an integral number of octets (FCS Error) or a bad FCS with a non-integral number of octets (Alignment Error).

Label	Description (Continued)
Jabbers	The total number of packets received that were longer than 1518 octets (excluding framing bits, but including FCS octets), and had either a bad Frame Check Sequence (FCS) with an integral number of octets (FCS Error) or a bad FCS with a non-integral number of octets (Alignment Error).
Ingress Pool Size	The amount of ingress buffer space, expressed as a percentage of the available buffer space that will be allocated to the port or channel for ingress buffering.
Octets	The total number of octets received.
Packets	The total number of packets received.
Packets to	The number of packets received that were equal to or less than the displayed octet limit.

Sample Output

```

=====
Ethernet Statistics
=====
Broadcast Pkts   :           42621  Drop Events      :           0
Multicast Pkts  :              0  CRC/Align Errors :           0
Undersize Pkts  :              0  Fragments       :           0
Oversize Pkts   :              0  Jabbers         :           0
Collisions      :              0

Octets          :           2727744
Packets         :           42621
Packets of 64 Octets :           42621
Packets of 65 to 127 Octets :           0
Packets of 128 to 255 Octets :           0
Packets of 256 to 511 Octets :           0
Packets of 512 to 1023 Octets :           0
Packets of 1024 to 1518 Octets :           0
Packets of 1519 or more Octets :           0
=====
Port Statistics
=====
                                     Input      Output
-----
Unicast Packets                       0          0
Multicast Packets                      0          0
Broadcast Packets                     42621       0
Discards                              0          0
Unknown Proto Discards                 0
=====
...

```

Ethernet-like Medium Statistics Output — The following table describes Ethernet-like medium statistics output fields.

Label	Description
Alignment Errors	The total number of packets received that had a length (excluding framing bits, but including FCS octets) of between 64 and 1518 octets, inclusive, but had either a bad Frame Check Sequence (FCS) with an integral number of octets (FCS Error) or a bad FCS with a non-integral number of octets.
FCS Errors	The number of frames received on a particular interface that are an integral number of octets in length but do not pass the FCS check.
SQE Errors	The number of times that the SQE TEST ERROR is received on a particular interface.
CSE	The number of times that the carrier sense condition was lost or never asserted when attempting to transmit a frame on a particular interface.
Too long Frames	The number of frames received on a particular interface that exceed the maximum permitted frame size.
Symbol Errors	For an interface operating at 100 Mb/s, the number of times there was an invalid data symbol when a valid carrier was present.
Sngl Collisions	The number of frames that are involved in a single collision, and are subsequently transmitted successfully.
Mult Collisions	The number of frames that are involved in more than one collision and are subsequently transmitted successfully.
Late Collisions	The number of times that a collision is detected on a particular interface later than one slotTime into the transmission of a packet.
Excess Collisns	The number of frames for which transmission on a particular interface fails due to excessive collisions.
Int MAC Tx Errs	The number of frames for which transmission on a particular interface fails due to an internal MAC sublayer transmit error,
Int MAC Rx Errs	The number of frames for which reception on a particular interface fails due to an internal MAC sublayer receive error.

Sample Output

```
A:ALA-48# show port 1/3/1 detail
=====
...
=====
Ethernet-like Medium Statistics
=====
```

```

Alignment Errors : 0 Sngl Collisions : 0
FCS Errors : 0 Mult Collisions : 0
SQE Test Errors : 0 Late Collisions : 0
CSE : 0 Excess Collisns : 0
Too long Frames : 0 Int MAC Tx Errs : 0
Symbol Errors : 0 Int MAC Rx Errs : 0
Queue Statistics
=====

```

```

Ingress Queue 1      Packets      Octets
  In Profile forwarded : 0          0
  In Profile dropped  : 0          0
  Out Profile forwarded : 0          0
  Out Profile dropped  : 0          0
Ingress Queue 2      Packets      Octets
  In Profile forwarded : 0          0
  In Profile dropped  : 0          0
  Out Profile forwarded : 0          0
  Out Profile dropped  : 0          0
Ingress Queue 3      Packets      Octets
  In Profile forwarded : 0          0
  In Profile dropped  : 0          0
  Out Profile forwarded : 0          0
  Out Profile dropped  : 0          0
Ingress Queue 4      Packets      Octets
  In Profile forwarded : 0          0
  In Profile dropped  : 0          0
  Out Profile forwarded : 0          0
  Out Profile dropped  : 0          0
Ingress Queue 5      Packets      Octets
  In Profile forwarded : 0          0
  In Profile dropped  : 0          0
  Out Profile forwarded : 0          0
  Out Profile dropped  : 0          0
Ingress Queue 6      Packets      Octets
  In Profile forwarded : 0          0
  In Profile dropped  : 0          0
  Out Profile forwarded : 0          0
  Out Profile dropped  : 0          0
=====

```

A:ALA-48#

Port Associations Output — The following table describes port associations output fields.

Label	Description
Svc ID	The service identifier.
Name	The name of the IP interface.
Encap Value	The dot1q or qinq encapsulation value on the port for this IP interface

Sample Output

```

A:ALA-1# show port 1/1/6 associations
=====
Interface Table

```

Port Show Commands

```

=====
Router/ServiceId          Name                      Encap Val
-----
Router: Base              if1000                   1000
Router: Base              if2000                   2000
-----
Interfaces
=====
A:ALA-1#

```

Port Frame Relay Output — The following table describes port Frame Relay output fields.

Label	Description
Mode	Displays the mode of the interface. It can be set as Data terminal equipment (dte) or Data circuit-terminating equipment (DCE).
LMI Type	Displays the LMI type.
FR Interface Status	Displays the status of the Frame Relay interface as determined by the performance of the dlcmi. If no DLCMI is running, the Frame Relay interface will stay in the running state indefinitely.

Sample Output

```

A:ALA-49>config>port# show port 1/1/2 frame-relay
=====
Frame Relay Info for 1/1/2
=====
Mode                : dte                LMI Type           : itu
FR Interface Status : fault
N391 DTE             : 6                N392 DCE           : 3
N392 DTE             : 3                N393 DCE           : 4
N393 DTE             : 4                T392 DCE           : 15
T391 DTE             : 10
Tx Status Enquiry   : 0                Rx Status Enquiry  : 0
Rx Status Messages  : 0                Tx Status Messages : 0
Status Message Timeouts : 0            Status Enquiry Timeouts : 0
Discarded Messages  : 0                Inv. RxSeqNum Messages : 0
=====
A:ALA-49>config>port#

```

OTU Output — The following table describes the OTU output fields.

Label	Description
OTU Status	Status of the OTU (Optical Transport Unit): enabled or disabled. When OTU is enabled, an additional layer of framing encapsulates an MDA's natively programmed mode of operation, 10-Gigabit Ethernet LAN or WAN, adding SONET-Like Framing with FEC (Forward Error Correction). When OTU is disabled, the MDA operates in a 10-Gigabit Ethernet LAN or WAN as per Ethernet provisioning.
FEC Mode	Type of FEC (Forward Error Correction) in effect: g709, enhanced or disabled. When g709 is selected, the standard FEC method is used. When enhanced is selected, a proprietary FEC algorithm is used that extends optical reach in long haul applications. When disabled the bytes that are reserved for FEC in the OTU frame are transmitted as zeros and the FEC decoder is bypassed, but OTU framing is still in effect.
Data Rate	This indicates the data rate at which the port is operating. When OTU is encapsulating 10-Gigabit Ethernet WAN, the data rate is 10.709 Gb/s, the G.709 standard OTU2 data rate. When OTU is encapsulating 10-Gigabit Ethernet LAN, the data rate is either 11.049 Gb/s or 11.096 Gb/s, depending on the otu2-lan-data-rate configuration parameter of the port's OTU parameters. These data rates (11.049 Gb/s and 11.096 Gb/s) are considered OTU2e data rates that are non-standard or over-clocked with respect to G.709, but have become widely used in optical networking to transport un-altered 10-Gigabit Ethernet LAN payloads.
Cfg Alarms and Alarm Status	This indicates the alarms that shall be reported when raised or cleared. Alarms that are not in this list will not be reported when they are raised or cleared but will appear in the Alarm Status.
SF/SD Method	This indicates the selected method for declaring the SF (Signal Fail) or SD (Signal Degrade) alarm. When BIP8 is selected, the error rate of SM-BIP8 errors in the OTU frames is used to declare SF or SD (This is very similar to SONET SF/SD which uses a rate of B2 errors). When FEC is selected, the rate of corrected bits is used to declare SF or SD. This effectively indicates that the link would be degraded (SD) or failed (SF) if FEC was disabled and gives the user an early warning that the link is degrading or is about to fail.
SF Threshold	This is the configured error rate threshold at which the SF (Signal Fail) alarm will be raised.
SD Threshold	This is the configured error rate threshold at which the SD (Signal Degrade) alarm will be raised.

Port Show Commands

Label	Description (Continued)
SM-TTI Tx (<mode>)	This is the configured SM-TTI (Section Monitor Trail Trace Identifier) to be transmitted by this port in the OTU overhead bytes. The modes are auto, string, or bytes. In the auto and string modes, a printable character string will be displayed. In bytes mode, up to 64 hex bytes will be displayed
SM-TTI Rx	This is the SM-TTI (Section Monitor Trail Trace Identifier) received by this port. When the received TTI is a printable string of characters, it will be displayed as a text string. When the received TTI contains one or more non-printable characters, it will be displayed at a sequence of 64 hex bytes. When the received TTI is all zeros, the string "Not Specified" will be displayed.
FEC Corrected 0s	Displays the number of bits that were received as 0s but corrected to 1s.
FEC Corrected 1s	Number of bits that were received as 1s but corrected to 0s.
FEC Uncorrectable Sub-Rows	The number of sub-rows that were not corrected because too many errors were detected.
FEC SES	The number of severely errored seconds where the number of uncorrectable sub-rows was greater than 15% of the maximum.
SM BIP8	The number of detected BIP-8 errors in the section monitor overhead.
SM BEI	The number of backward error indications received from the far end in the section monitor overhead.
SM SES	Section monitor severely errored seconds where the number of SM-BIP8 was greater than 15% of the maximum.
PM BIP8	The number of detected BIP-8 errors in the section monitor overhead.
PM BEI	The number of backward error indications received from the far end in the section monitor overhead.
PM SES	Section monitor severely errored seconds where the number of SM-BIP8 was greater than 15% of the maximum.

Sample Output

```
A:ALA-49>config>port# show port 3/2/1 otu detail
=====
OTU Interface
=====
OTU Status          : Enabled          FEC Mode          : enhanced
                   :                   Data Rate         : 11.049 Gb/s
Cfg Alarms          : loc los lof lom otu-ber-sf otu-bdi fec-sf
Alarm Status       :
SF/SD Method       : FEC                   SF Threshold      : 1E-5
                   :                   SD Threshold      : 1E-7
```

```

SM-TTI Tx (auto)   : ALA-49:3/2/1/C17
SM-TTI Rx         : (Not Specified)
=====
OTU Statistics
=====
Statistics                                     Count
-----
FEC Corrected 0s                               0
FEC Corrected 1s                               0
FEC Unrectable Sub-rows                       0
FEC SES                                         0
SM BIP8                                         0
SM BEI                                         0
PM SES                                         0
PM BIP8                                         0
PM BEI                                         0
PM SES                                         0
=====

```

Port PPP Output — The following table describes port PPP output fields.

Label	Description
Protocol	Displays the applicable protocols for the specified port.
State	Displays the current status of a PPP link. Values include initial, starting, closed, stopped, closing, stopping, requestSent, ackReceived, ackSent, opened.
Last Change	Displays the last time the PPP link state changed.
Restart Count	Displays the number of times that this Control Protocol has reached the 'open' state.
Last Cleared	Displays the date and time the restart count was set to zero.
Local IP address	Displays the IP address assigned the local end of the PPP link.
Remote IP address	Displays the IP address of the remote end of the PPP link.
Local Mac address	Displays the MAC address assigned the local end of the PPP link.
Remote Mac address	The Ethernet MAC address sent by the remote end of the PPP link.
Local Magic Number	Displays the local magic number to be sent to the peer. The magic number provides a method to detect loopbacks. If the value of the local magic number is the same as the value of remote magic number, then it is possible that the link might be looped back. If the two magic numbers do not match, then the link is not looped back.

Port Show Commands

Label	Description (Continued)
Remote Magic Number	Displays the magic number sent by the peer. If the value of remote magic number is the same as the value of the local magic number, then it is possible that the link might be looped back. If the two magic numbers do not match, then the link is not looped back.
Line Monitor Method	The type of line monitoring packets being sent and received on this PPP link.
Request Interval	The time interval in seconds at which keepalive requests are issued.
Threshold exceeded	Displays the number of times that the drop count was reached.
Drop Count	Displays the number of keepalive or LQR messages that were missed before the line was brought down.
In Packets	Displays the number of echo-reply packets received.
Time to link drop	Displays the time remaining before the link will be declared dropped if a keepalive echo reply packet is not received.
Out packets	Displays the number of echo-request packets sent.
Last cleared time	Displays the time since the last clear.
ACFC	Indicates whether Address and Control Field PPP Header Compression is enabled.
PFC	Indicates whether Protocol Field PPP Header Compression is enabled.

Sample Output

```
A:ALA-2934 show mda 7/2 detail (ATM MDA)
=====
MDA 7/2 detail
=====
Slot Mda  Provisioned      Equipped      Admin  Operational
      Mda-type             Mda-type      State   State
-----
7    2    m4-atmoc12/3-sfp    m4-atmoc12/3-sfp    up      up
MDA Specific Data
Maximum port count           : 4
Number of ports equipped     : 4
Transmit timing selected     : CPM Card B
Sync interface timing status : Qualified
Network ingress queue policy : default
Capabilities                  : Sonet, ATM
Min channel size              : Sonet STS-12
Max channel size              : Sonet STS-12
Max number of channels        : 4
Channels in use               : 0
```

```

Hardware Data
  Part number           : 3HE00071AAAB01
  CLEI code             : IPPAAAYBAA
  Serial number         : NS051310104
  Manufacture date      : 03292005
  Manufacturing string   :
  Manufacturing deviations :
  Administrative state   : up
  Operational state      : up
  Temperature            : 32C
  Temperature threshold : 75C
  Time of last boot      : 2007/08/23 13:46:57
  Current alarm state    : alarm cleared
  Base MAC address      : 00:03:fa:4a:34:90
=====
A:ALA-2934#
ALA-1# show port 9/1/2 atm
=====
ATM Info for 9/1/2
=====
Cell Mode           : UNI
Configured VCs      : 1                Max Supported VCs : 2000
Interface Oper Status : lower layer down  Number OCD Events : 0
TC Alarm State      : LCD Failure
Last Unknown VPI/VCI : none
=====
ATM Bandwidth Info
=====
                kbps      %                kbps      %
-----
Ingress CBR       : 0          0%  Egress CBR       : 0          0%
Ingress RT-VBR    : 0          0%  Egress RT-VBR    : 0          0%
Ingress NRT-VBR   : 4000       1%  Egress NRT-VBR   : 0          0%
Ingress UBR       : 0          0%  Egress UBR       : 0          0%
-----
Ingress Total     : 4000       1%  Egress Total     : 0          0%
ATM Link Bandwidth : 599041 kbps
Shaped Bandwidth  : 0 kbps
=====
ALA-1#

*A:ALA-48# show port 3/2/1 atm detail
=====
ATM Info for 3/2/1
=====
Cell Mode           : UNI                Mapping           : Direct
Configured VCs      : 0                Configured VPs    : 0
Configured VTs      : 0                Configured IFCs   : 0
Configured minimum VPI: 0
Last Unknown VPI/VCI : none
=====
TC Sublayer Information
=====
TC Alarm State      : LCD Failure                Number OCD Events : 0
HEC Errors (Dropped) : 0                HEC Errors (Fixed) : 0
=====
ATM Bandwidth Info
=====

```

Port Show Commands

```

                                     kbps      %
-----
Ingress CBR      : 0          0%      Egress CBR      : 0          0%
Ingress RT-VBR   : 0          0%      Egress RT-VBR   : 0          0%
Ingress NRT-VBR  : 0          0%      Egress NRT-VBR  : 0          0%
Ingress UBR      : 0          0%      Egress UBR      : 0          0%
-----
Ingress Total    : 0          0%      Egress Total    : 0          0%
ATM Link Bandwidth : 599041 kbps
Shaped Bandwidth  : 0 kbps
=====
ATM Statistics
=====
                                     Input      Output
-----
Octets           : 0          0
Cells            : 0          0
Unknown VPI/VCI Cells : 0
=====
AAL-5 Packet Statistics
=====
                                     Input      Output
-----
Packets          : 0          0
Dropped Packets  : 0          0
CRC-32 Errors    : 0
=====
*A:ALA-48#
B:Dut-D# show port 2/2/1.1.1.1 atm
=====
ATM Info for 2/2/1.1.1.1
=====
Cell Mode        : UNI          Mapping         : Direct
Configured VCs   : 16          Configured VPs  : 0
Configured VTs   : 0          Configured IFCs : 0
Configured minimum VPI: 0
Last Unknown VPI/VCI : none
=====
TC Sublayer Information
=====
TC Alarm State   : No Alarm      Number OCD Events : 0
HEC Errors (Dropped) : 0          HEC Errors (Fixed) : 0
=====
ATM Bandwidth Info
=====
                                     kbps      %
-----
Ingress CBR      : 0          0%      Egress CBR      : 0          0%
Ingress RT-VBR   : 0          0%      Egress RT-VBR   : 0          0%
Ingress NRT-VBR  : 0          0%      Egress NRT-VBR  : 0          0%
Ingress UBR      : 0          0%      Egress UBR      : 0          0%
-----
Ingress Total    : 0          0%      Egress Total    : 0          0%
ATM Link Bandwidth : 1920 kbps
Shaped Bandwidth  : 0 kbps
=====
B:Dut-D#

```

Interface Configuration

```

B:Dut-D# show port 2/2/1.1.1.1 atm detail
=====
ATM Info for 2/2/1.1.1.1
=====
Cell Mode           : UNI           Mapping           : Direct
Configured VCs      : 16            Configured VPs    : 0
Configured VTs      : 0             Configured IFCs   : 0
Configured minimum VPI: 0
Last Unknown VPI/VCI : none
=====
TC Sublayer Information
=====
TC Alarm State      : No Alarm      Number OCD Events : 0
HEC Errors (Dropped) : 0            HEC Errors (Fixed) : 0
=====
ATM Bandwidth Info
=====
                kbps      %                kbps      %
-----
Ingress CBR       : 0          0%      Egress CBR       : 0          0%
Ingress RT-VBR    : 0          0%      Egress RT-VBR    : 0          0%
Ingress NRT-VBR   : 0          0%      Egress NRT-VBR   : 0          0%
Ingress UBR       : 0          0%      Egress UBR       : 0          0%
-----
Ingress Total     : 0          0%      Egress Total     : 0          0%
ATM Link Bandwidth : 1920 kbps
Shaped Bandwidth  : 0 kbps
=====
ATM Statistics
=====
                                Input           Output
-----
Octets              228425945553      228453511542
Cells               4309923501         4310443614
Unknown VPI/VCI Cells 4294967295
=====
AAL-5 Packet Statistics
=====
                                Input           Output
-----
Packets              4302445396         4302705455
Dropped Packets      0
CRC-32 Errors        0
=====
A:timetra-sim110#

B:Dut-D# show port 2/1/1 atm connections
=====
ATM Connections, Port 2/1/1
=====
      Owner  Type   Ing.TD  Egr.TD  Adm  OAM      Opr
-----
cp.1      SAP   CP      1       1     up      up      up
10/10     SAP   PVC     1       1     up      up      up
10/11     SAP   PVC     1       1     up      up      up
20/20     SAP   PVC     1       1     up      up      up
=====
B:Dut-D#

```

Port Show Commands

```

A:SR12# show port 3/1/1 atm cp
=====
ATM CPs, Port 3/1/1
=====
CP          Owner  Type    Ing.TD  Egr.TD  Adm  OAM      Opr
-----
5           SAP    CP      1       1
9           SAP    CP      1       1
=====
A:SR12#

A:SR12# show port 3/1/1 atm cp detail
=====
ATM CP, Port 3/1/1
=====
CP          Owner  Type    Ing.TD  Egr.TD  Adm  OAM      Opr
-----
5           SAP    CP      1       1
=====
ATM CP Statistics
=====
Input                Output
-----
Octets                    284958830153      15950085
Cells                    5376581701        300945
Dropped CLP=0 Cells                90                200
Dropped Cells (CLP=0+1)            290
Tagged Cells                      780
=====
ATM CP, Port 3/1/1
=====
CP          Owner  Type    Ing.TD  Egr.TD  Adm  OAM      Opr
-----
9           SAP    CP      1       1
=====
ATM CP Statistics
=====
Input                Output
-----
Octets                    284958830153      15950085
Cells                    5376581701        300945
Dropped CLP=0 Cells                90                200
Dropped Cells (CLP=0+1)            290
Tagged Cells                      780
=====
A:SR12#

A:SR12# show port 3/1/1 atm cp 9
=====
ATM CP
=====
Port Id          : 3/1/1          CP          : 9
Owner            : SAP          Endpoint Type : CP
Ing. Td Idx     : 1          Egr. Td Idx  : 1

```

```

=====
A:SR12#

A:SR12# show port 3/1/1 atm cp 9 detail
=====
ATM CP
=====
Port Id          : 3/1/1          CP          : 9
Owner            : SAP            Endpoint Type : CP
Ing. Td Idx     : 1              Egr. Td Idx  : 1
=====
ATM CP Statistics
=====
Input              Output
-----
Octets              284958830153      15950085
Cells               5376581701        300945
Dropped CLP=0 Cells          90          200
Dropped Cells (CLP=0+1)     290
Tagged Cells                780
=====
A:SR12#

```

```

B:Dut-D# show connection-profile
=====
Connection Profile Summary Information
=====
CP Index  Number of
          Members
-----
1         3
=====
B:Dut-D#

```

```

B:Dut-D# show connection-profile 1
=====
Connection Profile 1 Information
=====
Description : My Connection Profile
Last Change : 09/11/2010 13:37:32
-----
VPI/VCI
-----
10/10
10/11
20/20
=====
B:Dut-D#

```

Port Show Commands

cem

- Syntax** `cem`
- Context** `show>port`
- Description** This command displays CEM encap ports and channels.

Sample Output

```
*A:NS062480023# show port cem
=====
Ports on Slot 1
=====
Port          Admin Link Port   Clock      Master      Clock
Id            State   State  Src         Port Id     State
-----
1/9/1.1.1     Up      No    Down    adaptive    1/9/1.1.2.1  hold-over
1/9/1.1.1.1   Up      No    Down
1/9/1.1.2     Up      No    Down    loop-timed  1/9/1.1.2.1  hold-over
1/9/1.1.2.1   Up      No    Down
1/9/1.1.3     Up      No    Down    node-timed
1/9/1.1.3.1   Up      No    Down
1/9/1.1.4     Up      No    Down    node-timed
...
=====
*A:NS062480023#
```

lldp

- Syntax** `lldp [nearest-bridge|nearest-non-tpmr|nearest-customer] [remote-info] [detail]`
- Context** `show>port>ethernet`
- Description** This command displays Link Layer Discovery Protocol (LLDP) information.
- Parameters**
- nearest-bridge** — Displays nearest bridge information.
 - nearest-non-tpmr** — Displays nearest Two-Port MAC Relay (TPMR) information.
 - nearest-customer** — Displays nearest customer information.
 - remote-info** — Displays remote information on the bridge MAC.
 - detail** — Shows detailed information.

Sample Output

```
A:testSrl1# show port 1/2/2 ethernet lldp
=====
Link Layer Discovery Protocol (LLDP) Port Information
=====
Port 1/2/2 Bridge nearest-bridge
```

Interface Configuration

```
-----
Admin State          : txAndRx      Notifications      : Disabled
Transmit TLVs       : portDesc sysCap

Management Address Transmit Configuration:
Index 1 (system)    : Enabled      Address            : 10.20.30.40

Port 1/2/2 Bridge nearest-non-tpmr
-----
Admin State          : disabled    Notifications      : Disabled
Transmit TLVs       : None

Management Address Transmit Configuration:
Index 1 (system)    : Disabled    Address            : 10.20.30.40

Port 1/2/2 Bridge nearest-customer
-----
Admin State          : disabled    Notifications      : Disabled
Transmit TLVs       : None

Management Address Transmit Configuration:
Index 1 (system)    : Disabled    Address            : 10.20.30.40
=====
A:testSrl#

A:testSrl# show port 1/2/2 ethernet lldp nearest-bridge detail
=====
Link Layer Discovery Protocol (LLDP) Port Information
=====
Port 1/2/2 Bridge nearest-bridge
-----
Admin State          : txAndRx      Notifications      : Disabled
Transmit TLVs       : portDesc sysCap

Management Address Transmit Configuration:
Index 1 (system)    : Enabled      Address            : 10.20.30.40

Port LLDP Stats:
Tx Frames           : 13           Tx Length Err Frames : 0
Rx Frames           : 0           Rx Frame Discard     : 0
Rx Frame Errors     : 0           Rx TLV Discard       : 0
Rx TLV Unknown      : 0           Rx Ageouts           : 0
=====
A:testSrl#

A:testSrl# show port 1/2/2 ethernet lldp nearest-bridge remote-info detail
=====
Link Layer Discovery Protocol (LLDP) Port Information
=====
Port 1/2/2 Bridge nearest-bridge Remote Peer Information
-----
Remote Peer Index 2 at timestamp 12/02/2008 16:08:14:
Supported Caps      : (Not Specified)
Enabled Caps        : (Not Specified)
Chassis Id Subtype  : 4 (macAddress)
Chassis Id          : ac:fa:ff:00:00:00
PortId Subtype      : 7 (local)
```

Port Show Commands

```
Port Id           : 37814272
Port Description  : n/a
System Name      : n/a
System Description : n/a
```

```
Remote Peer Index 2 management addresses at time 12/02/2008 16:08:14:
```

```
No remote management addresses found
```

```
=====
A:testSrl#
```

port-tree

Syntax `port-tree port-id`

Context show

Description This command displays the tree for SONET/SDH or TDM ports/channels.

Parameters *port-id* — Specifies the physical port ID.

Syntax

```
port-id      slot[/mda[/port]] or
              slot/mda/port[.channel]
aps-id       aps-group-id[.channel]
aps          keyword
group-id     1 — 16
```

MDA Values 7710 SR-c4: 1, 3

CMA Values 7710 SR-c4: 1— 4

Output **Show Port Tree Output** — The following table describes show port tree output fields.

Label	Description
ifIndex	Displays the interface's index number which reflects its initialization sequence.
type	Specifies the type.
sonet-sdh-index	Specifies the sonet-sdh-index.
*	When a * is displayed after the sonet-sdh-index, the port/channel is provisioned.

Sample Output

```
A:ALA-48>config# show port-tree 1/1/1

  ifIndex  type, sonet-sdh-index (* = provisioned)
=====  =====
119570432  Port, N/A *
656441345  DS3, none *
```

```

656441405      DS1, 1 *
656441430      DS1, 2
656441455      DS1, 3
656441480      DS1, 4
656441505      DS1, 5
656441530      DS1, 6
656441555      DS1, 7
656441580      DS1, 8
656441605      DS1, 9
656441630      DS1, 10
656441655      DS1, 11
656441680      DS1, 12
656441705      DS1, 13
656441730      DS1, 14
656441755      DS1, 15
656441780      DS1, 16
656441805      DS1, 17
656441830      DS1, 18
656441855      DS1, 19
656441880      DS1, 20
656441905      DS1, 21
656441930      DS1, 22
656441980      DS1, 24
656442005      DS1, 25
656442030      DS1, 26
656442055      DS1, 27
656442080      DS1, 28
A:ALA-48>config#

```

redundancy

Syntax `redundancy`

Context `show`

Description This command enables the context to show multi-chassis redundancy information.

multi-chassis

Syntax `multi-chassis all`
`multi-chassis mc-lag peer ip-address [lag lag-id]`
`multi-chassis mc-lag [peer ip-address] [lag lag-id] statistics`
`multi-chassis sync [peer ip-address] [detail]`
`multi-chassis sync [peer ip-address] statistics`

Context `show>redundancy`

Description This command displays multi-chassis redundancy information.

Parameters `all` — Displays all multi-chassis information.

`mc-lag` — Displays multi-chassis LAG information.

Port Show Commands

peer ip-address — Displays the address of the multi-chassis peer.

lag lag-id — Displays the specified LAG ID on this system that forms an multi-chassis LAG configuration with the indicated peer.

statistics — Displays statistics for the multi-chassis peer.

sync — Displays synchronization information.

detail — Displays detailed information.

Sample Output

```
A:pc1# show redundancy multi-chassis all
=====
Multi-Chassis Peers
=====
Peer IP          Src IP          Auth          Peer Admin
  MCS Admin      MCS Oper       MCS State     MC-LAG Admin   MC-LAG Oper
-----
10.10.10.102    10.10.10.101  hash          Enabled
  Enabled        Enabled        inSync        Enabled         Enabled
10.10.20.1      0.0.0.0        None          Disabled
  --             --             --            Disabled         Disabled
=====
A:pc1#
```

```
*A:Dut-C# show redundancy multi-chassis mc-lag peer 10.10.10.1
=====
Multi-Chassis MC-Lag Peer 10.10.10.1
=====
Last State chg: 09/24/2007 07:58:03
Admin State: Up      Oper State   : Up
KeepAlive: 10 deci-seconds   Hold On Ngbr Failure : 3
-----
Lag Id LACP Key Remote Lag Id System Id Sys Prio Last State Changed
-----
1      32666   1      00:00:00:33:33:33 32888 09/24/2007 07:56:35
-----
Number of LAGs : 1
=====
*A:Dut-C#
```

```
A:pc1# show redundancy multi-chassis mc-lag statistics
=====
Multi-Chassis Statistics
=====
Packets Rx                : 129816
Packets Rx Keepalive      : 129798
Packets Rx Config         : 3
Packets Rx Peer Config    : 5
Packets Rx State          : 10
Packets Dropped KeepaliveTask : 0
Packets Dropped Packet Too Short : 0
Packets Dropped Verify Failed : 0
Packets Dropped Tlv Invalid Size : 0
```

```

Packets Dropped Out of Seq      : 0
Packets Dropped Unknown Tlv     : 0
Packets Dropped Tlv Invalid LagId : 0
Packets Dropped MD5             : 0
Packets Dropped Unknown Peer    : 0
Packets Tx                      : 77918
Packets Tx Keepalive            : 77879
Packets Tx Config               : 6
Packets Tx Peer Config          : 26
Packets Tx State                : 7
Packets Tx Failed               : 0
=====
A:pcl#
A:pcl# show redundancy multi-chassis mc-lag peer 10.10.10.102 lag 2 statistics
=====
Multi-Chassis Statistics, Peer 10.10.10.102 Lag 2
=====
Packets Rx Config               : 1
Packets Rx State                : 4
Packets Tx Config               : 2
Packets Tx State                : 3
Packets Tx Failed               : 0
=====
A:pcl#

A:pcl#show redundancy multi-chassis mc-lag peer 10.10.10.102 statistics
=====
Multi-Chassis Statistics, Peer 10.10.10.102
=====
Packets Rx                     : 129918
Packets Rx Keepalive           : 129900
Packets Rx Config              : 3
Packets Rx Peer Config         : 5
Packets Rx State               : 10
Packets Dropped State Disabled : 0
Packets Dropped Packets Too Short : 0
Packets Dropped Tlv Invalid Size : 0
Packets Dropped Tlv Invalid LagId : 0
Packets Dropped Out of Seq     : 0
Packets Dropped Unknown Tlv    : 0
Packets Dropped MD5            : 0
Packets Tx                     : 77979
Packets Tx Keepalive           : 77940
Packets Tx Peer Config         : 26
Packets Tx Failed              : 0
=====
A:pcl#

A:pcl# show redundancy multi-chassis sync
=====
Multi-chassis Peer Table
=====
Peer
-----
Peer IP Address      : 10.10.10.102
Description          : CO1
Authentication      : Enabled

```

Port Show Commands

```
Source IP Address      : 10.10.10.101
Admin State           : Enabled
-----
Sync-status
-----
Client Applications    :
Sync Admin State      : Up
Sync Oper State       : Up
DB Sync State         : inSync
Num Entries           : 0
Lcl Deleted Entries   : 0
Alarm Entries         : 0
Rem Num Entries       : 0
Rem Lcl Deleted Entries : 0
Rem Alarm Entries     : 0
=====
Peer
-----
Peer IP Address       : 10.10.20.1
Authentication        : Disabled
Source IP Address     : 0.0.0.0
Admin State           : Disabled
=====
A:pcl#

pcl# show redundancy multi-chassis sync peer 10.10.10.102
=====
Multi-chassis Peer Table
=====
Peer
-----
Peer IP Address       : 10.10.10.102
Description           : CO1
Authentication        : Enabled
Source IP Address     : 10.10.10.101
Admin State           : Enabled
-----
Sync-status
-----
Client Applications    :
Sync Admin State      : Up
Sync Oper State       : Up
DB Sync State         : inSync
Num Entries           : 0
Lcl Deleted Entries   : 0
Alarm Entries         : 0
Rem Num Entries       : 0
Rem Lcl Deleted Entries : 0
Rem Alarm Entries     : 0
=====
MCS Application Stats
=====
Application           : igmp
Num Entries           : 0
Lcl Deleted Entries   : 0
Alarm Entries         : 0
-----
Rem Num Entries       : 0
Rem Lcl Deleted Entries : 0
```

```

Rem Alarm Entries      : 0
-----
Application           : igmpSnooping
Num Entries           : 0
Lcl Deleted Entries   : 0
Alarm Entries         : 0
-----
Rem Num Entries       : 0
Rem Lcl Deleted Entries : 0
Rem Alarm Entries     : 0
-----
Application           : subMgmt
Num Entries           : 0
Lcl Deleted Entries   : 0
Alarm Entries         : 0
-----
Rem Num Entries       : 0
Rem Lcl Deleted Entries : 0
Rem Alarm Entries     : 0
-----
Application           : srrp
Num Entries           : 0
Lcl Deleted Entries   : 0
Alarm Entries         : 0
-----
Rem Num Entries       : 0
Rem Lcl Deleted Entries : 0
Rem Alarm Entries     : 0
=====
A:pcl#

A:pcl# show redundancy multi-chassis sync peer 10.10.10.102 detail
=====
Multi-chassis Peer Table
=====
Peer
-----
Peer IP Address       : 10.10.10.102
Description           : CO1
Authentication        : Enabled
Source IP Address     : 10.10.10.101
Admin State           : Enabled
-----
Sync-status
-----
Client Applications   :
Sync Admin State      : Up
Sync Oper State       : Up
DB Sync State         : inSync
Num Entries           : 0
Lcl Deleted Entries   : 0
Alarm Entries         : 0
Rem Num Entries       : 0
Rem Lcl Deleted Entries : 0
Rem Alarm Entries     : 0
=====
MCS Application Stats
=====

```

Port Show Commands

```
Application          : igmp
Num Entries          : 0
Lcl Deleted Entries  : 0
Alarm Entries        : 0
-----
Rem Num Entries      : 0
Rem Lcl Deleted Entries : 0
Rem Alarm Entries    : 0
-----
Application          : igmpSnooping
Num Entries          : 0
Lcl Deleted Entries  : 0
Alarm Entries        : 0
-----
Rem Num Entries      : 0
Rem Lcl Deleted Entries : 0
Rem Alarm Entries    : 0
-----
Application          : subMgmt
Num Entries          : 0
Lcl Deleted Entries  : 0
Alarm Entries        : 0
-----
Rem Num Entries      : 0
Rem Lcl Deleted Entries : 0
Rem Alarm Entries    : 0
-----
Application          : srrp
Num Entries          : 0
Lcl Deleted Entries  : 0
Alarm Entries        : 0
-----
Rem Num Entries      : 0
Rem Lcl Deleted Entries : 0
Rem Alarm Entries    : 0
=====
Ports synced on peer 10.10.10.102
=====
Port/Encap          Tag
-----
1/1/1
  1-2                r1
=====
A:p1#

A:p1# show redundancy multi-chassis sync statistics
=====
Multi-chassis Peer Sync Stats
=====
Peer IP Address      : 10.10.10.102
Packets Tx Total     : 511
Packets Tx Hello     : 510
Packets Tx Data      : 0
Packets Tx Other     : 1
Packets Tx Error     : 0
Packets Rx Total     : 511
Packets Rx Hello     : 510
Packets Rx Data      : 0
```

```

Packets Rx Other      : 1
Packets Rx Error      : 0
Packets Rx Header Err : 0
Packets Rx Body Err   : 0
Packets Rx Seq Num Err : 0
=====
Peer IP Address       : 10.10.20.1
Packets Tx Total      : 0
Packets Tx Hello      : 0
Packets Tx Data       : 0
Packets Tx Other      : 0
Packets Tx Error      : 0
Packets Rx Total      : 0
Packets Rx Hello      : 0
Packets Rx Data       : 0
Packets Rx Other      : 0
Packets Rx Error      : 0
Packets Rx Header Err : 0
Packets Rx Body Err   : 0
Packets Rx Seq Num Err : 0
=====
A:pl1#

A:pl1# show redundancy multi-chassis sync peer 10.10.10.102 statistics
=====
Multi-chassis Peer Sync Stats
=====
Peer IP Address       : 10.10.10.102
Packets Tx Total      : 554
Packets Tx Hello      : 553
Packets Tx Data       : 0
Packets Tx Other      : 1
Packets Tx Error      : 0
Packets Rx Total      : 554
Packets Rx Hello      : 553
Packets Rx Data       : 0
Packets Rx Other      : 1
Packets Rx Error      : 0
Packets Rx Header Err : 0
Packets Rx Body Err   : 0
Packets Rx Seq Num Err : 0
=====
A:pl1#

```

mc-ring

Syntax **mc-ring peer** *ip-address* **statistics**
mc-ring peer *ip-address* [**ring sync-tag** [**detail|statistics**]]
mc-ring peer *ip-address* **ring sync-tag ring-node** [*ring-node-name* [**detail|statistics**]]
mc-ring global-statistics

Context show>redundancy>multi-chassis

Description This command displays multi-chassis ring information.

Parameters *ip-address* — Specifies the address of the multi-chassis peer to display.

Port Show Commands

ring *sync-tag* — Specifies a synchronization tag to be displayed that was used while synchronizing this port with the multi-chassis peer.

node *ring-node-name* — Specifies a ring-node name.

global-statistics — Displays global statistics for the multi-chassis ring.

detail — Displays detailed peer information for the multi-chassis ring.

Output **Show mc-ring peer ip-address ring Output** — The following table describes mc-ring peer ip-address ring output fields.

Label	Description
Sync Tag	Displays the synchronization tag that was used while synchronizing this port with the multi-chassis peer.
Oper State	<p><code>noPeer</code> — The peer has no corresponding ring configured.</p> <p><code>connected</code> — The inband control connection with the peer is operational.</p> <p><code>broken</code> — The inband control connection with the peer has timed out.</p> <p><code>conflict</code> — The inband control connection with the peer has timed out but the physical connection is still OK; the failure of the inband signaling connection is caused by a misconfiguration. For example, a conflict between the configuration of this system and its peer, or a misconfiguration on one of the ring access node systems.</p> <p><code>testingRing</code> — The inband control connection with the peer is being set up. Waiting for result.</p> <p><code>waitingForPeer</code> — Verifying if this ring is configured on the peer.</p> <p><code>configErr</code> — The ring is administratively up, but a configuration error prevents it from operating properly.</p> <p><code>halfBroken</code> — The inband control connection indicates that the ring is broken in one direction (towards the peer).</p> <p><code>localBroken</code> — The inband control connection with the peer is known to be broken due to local failure or local administrative action.</p> <p><code>shutdown</code> — The ring is shutdown.</p>
Failure Reason	Displays the failure reason.
Last Debounce	Displays the last time that the debounce mechanism (protecting the router from overload situations in case of a flapping ring) was activated.
Debounce Period	Displays the duration that the debounce mechanism was in action since the “Last Debounce”.

Sample Output

```

*A:ALA-48# show redundancy multi-chassis mc-ring peer 10.0.0.2 ring ring11 detail
=====
Multi-Chassis MC-Ring Detailed Information
=====
Peer           : 10.0.0.2
Sync Tag       : ring11
Port ID        : 1/1/3
Admin State    : inService
Oper State     : connected
Admin Change   : 01/07/2008 21:40:07
Oper Change    : 01/07/2008 21:40:24
Last Debounce  : 02/15/2008 09:28:42
Debounce Period: 0d 00:00:00
Failure Reason : None
-----
In Band Control Path
-----
Service ID     : 10
Interface Name : to_an1
Oper State     : connected
Dest IP        : 10.10.0.2
Src IP         : 10.10.0.1
-----
VLAN Map B Path Provisioned
-----
range 13-13
range 17-17
-----
VLAN Map Excluded Path Provisioned
-----
range 18-18
-----
VLAN Map B Path Operational
-----
range 13-13
range 17-17
-----
VLAN Map Excluded Path Operational
-----
range 18-18
=====
*A:ALA-48#

*A:ALA-48>show>redundancy>multi-chassis# mc-ring peer 192.251.10.104
=====
MC Ring entries
=====
Sync Tag                Oper State      Failure Reason
-----
No. of MC Ring entries: 0
=====
*A:ALA-48#

*A:ALA-48# show redundancy multi-chassis mc-ring peer 10.0.0.2
=====
MC Ring entries
=====

```

Port Show Commands

```

Sync Tag                Oper State    Failure Reason
-----
ring11                  connected    None
ring12                  shutdown     None
-----
No. of MC Ring entries: 4
=====
*A:ALA-48#

*A:ALA-48# show redundancy multi-chassis mc-ring peer 10.0.0.2 ring ring11 ring-node an1
detail
=====
Multi-Chassis MC-Ring Node Detailed Information
=====
Peer          : 10.0.0.2
Sync Tag      : ring11
Node Name     : an1
Oper State Loc : connected
Oper State Rem : notTested
In Use       : True
Admin Change  : 01/07/2008 21:40:07
Oper Change   : 01/07/2008 21:40:25
Failure Reason : None
-----
Ring Node Connectivity Verification
-----
Admin State   : inService
Service ID    : 11
VLAN Tag      : 11
Dest IP       : 10.11.3.1
Src IP        : None
Interval      : 1 minutes
Src MAC       : None
=====
*A:ALA-48#

*A:ALA-48# show redundancy multi-chassis mc-ring peer 10.0.0.2 ring ring11 ring-node
=====
MC Ring Node entries
=====
Name          Loc Oper St.    Failure Reason
In Use        Rem Oper St.
-----
an1           connected      None
  Yes         notTested
an2           connected      None
  Yes         notTested
-----
No. of MC Ring Node entries: 2
=====
*A:ALA-48#

```

Show Redundancy Multi-Chassis Ring Peer Statistics Output — The following table describes multi-chassis ring peer output fields.

Label	Description
Message	Displays the message type.
Received	Indicates the number of valid MC-Ring signalling messages received from the peer.
Transmitted	Indicates the number of valid MC-Ring signalling messages transmitted from the peer.
MCS ID Request	Displays the number of valid MCS ID requests were received from the peer.
MCS ID Response	Displays the number of valid MCS ID responses were received from the peer.
Ring Exists Request	Displays the number of valid 'ring exists' requests were received from the peer.
Ring Exists Response	Displays the number of valid ring exists' responses were received from the peer.
Keepalive	Displays the number of valid MC-Ring control packets of type 'keepalive' were received from the peer.

Sample Output

```
*A:ALA-48>show>redundancy>multi-chassis# mc-ring peer 192.251.10.104 statistics
=====
MC Ring statistics for peer 192.251.10.104
=====
Message                               Received      Transmitted
-----
MCS ID Request                         0             0
MCS ID Response                        0             0
Ring Exists Request                    0             0
Ring Exists Response                   0             0
Keepalive                              0             0
-----
Total                                  0             0
=====
*A:ALA-48>show>redundancy>multi-chassis#
```

Show MC-Ring Ring-Node Field Output

Label	Description
Oper State	Displays the state of the connection verification (both local and remote).
	notProvisioned – Connection verification is not provisioned.

Label	Description (Continued)
	<code>configErr</code> – Connection verification is provisioned but a configuration error prevents it from operating properly.
	<code>notTested</code> – Connection verification is administratively disabled or is not possible in the current situation.
	<code>testing</code> – Connection Verification is active, but no results are yet available.
	<code>connected</code> – The ring node is reachable.
	<code>disconnected</code> – Connection verification has timed out.
In Use	Displays “True” if the ring node is referenced on an e-pipe or as an inter-dest-id on a static host or dynamic lease.

Show MC-Ring Global-Statistics Field Output

Label	Description
Rx	Displays the number of MC-ring signalling packets were received by this system.
Rx Too Short	Displays the number of MC-ring signalling packets were received by this system that were too short.
Rx Wrong Authentication	Displays the number of MC-ring signalling packets were received by this system with invalid authentication.
Rx Invalid TLV	Displays the number of MC-ring signalling packets were received by this system with invalid TLV.
Rx Incomplete	Displays the number of MC-ring signalling packets were received by this system that were incomplete.
Rx Unknown Type	Displays the number of MC-ring signalling packets were received by this system that were of unknown type.
Rx Unknown Peer	Displays the number of MC-ring signalling packets were received by this system that were related to an unknown peer.
Rx Unknown Ring	Displays the number of MC-ring signalling packets were received by this system that were related to an unknown ring.
Rx Unknown Ring Node	Displays the number of MC-ring signalling packets were received by this system that were related to an unknown ring node.
Tx	Displays the number of MC-ring signalling packets were transmitted by this system.

Label	Description (Continued)
Tx No Buffer	Displays the number of MC-ring signalling packets could not be transmitted by this system due to a lack of packet buffers.
Tx Transmission Failed	Displays the number of MC-ring signalling packets could not be transmitted by this system due to a transmission failure.
Tx Unknown Destination	Displays the number of MC-ring 'unknown destination' signalling packets were transmitted by this system.
Missed Configuration Events	Displays the number of missed configuration events on this system.
Missed BFD Events	Displays the number of missed BFD events on this system.

Sample Output

```
*A:ALA-48>show>redundancy>multi-chassis# mc-ring global-statistics
=====
Global MC Ring statistics
=====
Rx                               : 0
Rx Too Short                     : 0
Rx Wrong Authentication          : 0
Rx Invalid TLV                  : 0
Rx Incomplete                   : 0
Rx Unknown Type                 : 0
Rx Unknown Peer                 : 0
Rx Unknown Ring                 : 0
Rx Unknown Ring Node           : 0
Tx                               : 36763
Tx No Buffer                     : 0
Tx Transmission Failed          : 0
Tx Unknown Destination          : 0
Missed Configuration Events     : 0
Missed BFD Events               : 0
=====
*A:ALA-48>show>redundancy>multi-chassis#
```

Multilink Bundle Commands

multilink-bundle

Syntax **multilink-bundle** [*bundle-id* | *slot/mda* | **type** {**mlppp** | **ima-grp** | **mlfr**}] [**detail**]
multilink-bundle {*bundle-id* | *slot/mda*} [**ppp** | **ima** | **mlfr**]
multilink-bundle *bundle-id* **relations**
multilink-bundle *bundle-id* **ppp** [**multiclass**]
multilink-bundle *bundle-id* **mlfr** [**frame-relay** [**detail**]]

Context show

Description This comand displays multilink bundle information. An operator can display:

- All bundles on the system/MDA or all bundles of a given type on the system by specifying the value of type filter to be either mlppp, mlfr or ima-grp.
- Bundle specific information in summary (no detail option) or detailed format (detail option specified) for one or more bundles
- Protocol specific information (example PPP or IMA) for the specified bundle
- ATM interface information for IMA groups see **show port atm** command for more details

Parameters *bundle-id* — Specifies the multilink (PPP, MLFR or IMA) bundle to be associated with this IP interface. The command syntax must be used as follows:

Syntax: *bundle-type-slot/mda.bundle-num*
bpgrp-type-bpgrp-num
bundle-ppp-slot/mda.bundle-num (Creates a multilink PPP bundle.)
bundle-ima-slot/mda.bundle-num (Creates an IMA group bundle.)
bundle-r-slot/mda.bundle-num (Creates an MLFR group bundle.)
bundle: keyword
slot: IOM/MDA slot numbers
bundle-num: 1 — 128

ppp — Displays PPP bundle information.

ima, ima-grp — Displays IMA-type groups.

mlfr — Displays bundle MLFR information, or used to display MLFR-type groups.

mlppp — Display MLPPP-type groups.

detail — Provides detailed information.

relations — Displays the working and protection bundles associated with this bundle-id.

Multilink Bundle Output — The following table describes multilink bundle output fields.

Label	Description
Type	Specifies the type of this multilink bundle. mlppp – Indicates that the bundle is of type MLPPP. ima – Indicates that the bundle is of type IMA group.
Admin State	Up – The bundle is administratively up. Down – The bundle is administratively down.
Oper State	Up – The bundle is operationally up. Down – The bundle is operationally down.
Port State	Displays the state level of the port. none – Indicates that the port is either in its initial creation state or is just about to be deleted. ghost – No member links are configured as part of this bundle. down – All member links are in “none”, “ghost”, or “down” state. linkUp – At least one member link is in port state “link up” but the bundle protocol is not yet operationally up (due to bundle protocol still coming up. For example, due to insufficient number of member links in “link up” state yet or to bundle being shut down. Up – Indicates that the bundle is ready to pass some kinds of traffic as the bundle protocol has come up (at least “minimum links” member links are in the port state up and the bundle protocol is up.)
Min Links Minimum Links	Displays the minimum number of links that must be active for a bundle to be active. If the number of active links drop below the given minimum then the multilink bundle will transition to an operation down state.
Bundle IfIndex	Displays the bundle’s interface index number which reflects its initialization sequence.
Total Links	Displays the total number of member links configured for this bundle.
Active Links	Displays the total number of active links for the bundle.
Description	Displays configured description for this bundle.
Bundle Id	Displays the port ID for this bundle.
Red Diff Delay	Displays the maximum acceptable differential delay for individual circuits within this multilink bundle. If the delay exceeds this threshold, a trap is issued. The differential delay is calculated as the round-trip differential delay for MLPPP bundles, and as uni-directional differential delay for IMA bundles.

Multilink Bundle Commands

Label	Description (Continued)
Fragment Threshold	Displays configured fragment threshold value for this bundle.
Up Time	Displays time elapsed since the last bundle transition to Up when part of bundle information. Displays time elapsed since the last link transition to active when part of member information.
Bandwidth	Displays bandwidth configured for this IMA bundle in Kbytes.
Primary Port Member	Displays the portId of the IMA group member chosen as a Primary Port.
Member Port Id	Displays portId of each member of this bundle.
Admin	Displays administrative port status of a member link.
Oper	Displays operational port status of a member link.
Active	Displays whether a member link is active or not.
Down Reason	Displays the reason for why a member link is not active.
Traffic and Port statistics	The traffic and port statistics information displayed for bundles when detail option is selected is the same as information displayed for physical ports.

Sample Output

```
A:timetra-sim110# show multilink-bundle
=====
Bundle Summary
=====
Bundle          Type      Admin   Oper   Port   Min   Total/
Id              State    State  State  State  Links Active Links
-----
bundle-ppp-1/1.1  mlppp   Down    Down   Ghost   1     0/0
bundle-ima-1/1.2  ima     Down    Down   Link Up 1     1/0
-----
Bundles : 2
=====
A:timetra-sim110#

*A:timetra-44-cpm2# show multilink-bundle detail
=====
Description      : MultiLink Bundle
Bundle Id        : bundle-ppp-1/1.1  Type           : mlppp
Admin Status     : up                 Oper Status    : down
Minimum Links    : 1                  Bundle IfIndex : 572522497
Total Links      : 3                  Active Links   : 0
Red Diff Delay   : 0                  Yellow Diff Delay : 0
Red Diff Delay Act : none                MRRU           : 1524
Short Sequence   : true                 Oper MRRU      : 1524
Oper MTU         : 1526                Fragment Threshold : 128 bytes
```

Interface Configuration

```

Up Time           : N/A           Bandwidth           : 0 KBit
PPP Input Discards : 0           Primary Member Port : 1/1/1.1.1.1.1.1
Mode              : access
Interleave-Frag   : false
  
```

```

-----
Member Port Id      #TS  Admin  Oper  Act  Down Reason      Up Time
-----
1/1/1.1.1.1.1.1    12   up     up    no   oper down        N/A
1/1/1.1.1.1.1.2    12   up     up    no   oper down        N/A
1/1/1.1.1.1.1.3    12   up     up    no   oper down        N/A
=====
  
```

Traffic Statistics

```

=====
                                     Input           Output
-----
Octets                               0             0
Packets                              0             0
Errors                               0             0
=====
  
```

Port Statistics

```

=====
                                     Input           Output
-----
Packets                              0             0
Discards                             0             0
Unknown Proto Discards                0
=====
  
```

*A:timetra-44-cpm2#

A:timetra-sim110# show multilink-bundle type ima-grp

Bundle Summary

```

=====
Bundle      Type      Admin      Oper      Port      Min      Total/
Id          State     State     State     State     Links   Active Links
-----
bundle-ima-1/1.2  ima      Down      Down      Link Up   1       1/0
=====
  
```

Bundles : 1

A:timetra-sim110#

A:timetra-sim110# show multilink-bundle bundle-ppp-1/1.1

Bundle Summary

```

=====
Bundle      Type      Admin      Oper      Port      Min      Total/
Id          State     State     State     State     Links   Active Links
-----
bundle-ppp-1/1.1  mlppp    Down      Down      Ghost     1       0/0
=====
  
```

Bundles : 1

A:timetra-sim110#

Multilink Bundle Commands

```
A:timetra-sim110# show multilink-bundle bundle-ppp-1/1.1 detail
=====
Bundle bundle-ppp-1/1.1 Detail
=====
Description          : MultiLink Bundle
Bundle Id            : bundle-ppp-1/1.1   Type                : mlppp
Admin Status         : down              Oper Status          : down
Minimum Links        : 1                 Bundle IfIndex       : 555745281
Total Links          : 0                 Active Links         : 0
Red Diff Delay       : 0                 Yellow Diff Delay    : 0
Red Diff Delay Act   : none              MRRU                 : 1524
Short Sequence       : false            Oper MRRU            : 1524
Oper MTU             : 1522             Fragment Threshold   : 128 bytes
Up Time              : N/A              Bandwidth            : 0 KBit
PPP Input Discards   : 0                 Primary Member Port  : None
Interleave-Frag      : false
=====
Traffic Statistics
=====
                                     Input                Output
-----
Octets                  0                    0
Packets                 0                    0
Errors                  0                    0
=====
Port Statistics
=====
                                     Input                Output
-----
Unicast Packets        0                    0
Multicast Packets      0                    0
Broadcast Packets      0                    0
Discards                0                    0
```

relations

Syntax relations

Context show>multilink-bundle

Description This command displays the working and protection bundles associated with this bundle-id.

Output **Show Multilink-Bundle Relations Output** — The following table describes show multilink-bundle relations output fields.

Label	Description
BundleID	Displays the bundle number.
Admin State	Up — The bundle is administratively up. Down — The bundle is administratively down.

Label	Description
Oper State	Up — The bundle is operationally up. Down — The bundle is operationally down.
Working BundleID	Displays the bundle that is currently in working mode.
Protect BundleID	Displays the bundle that is currently in protect mode.
Active Bundle	Displays the mode of the active bundle.

Sample Output

```
A:ALA-48>show# show multilink-bundle bundle-ima-1/1.2 relations
=====
Bundle Relationship
=====
Bundle      Admin  Oper   Working      Protect      Active
Id          State  State  Bundle Id    Bundle Id    Bundle
-----
bpgrp-ima-1 Down   Down   bundle-ima-1/1.1  bundle-ima-1/1.2  Protect
-----
Bundles : 1
=====
A:ALA-48>show#
```

ima

Syntax `multilink-bundle ima`

Context `show>multilink-bundle`

Description This command enables the context to display IMA group data.

MDA Values 1, 2

Output **Show Multilink-bundle IMA Connections Output** — The following table describes show multilink-bundle IMA output fields.

Label	Description
BundleId	Displays the bundle ID number.
Type	Specifies the type of this multilink bundle. mlppp — Indicates that the bundle is of type MLPPP. ima — Indicates that the bundle is of type IMA group.
Admin State	ima — Indicates that the bundle is of type IMA group.

Multilink Bundle Commands

Label	Description (Continued)
	Down – The bundle is administratively down.
Oper State	Up – The bundle is operationally up. Down – The bundle is operationally down.
Port State	Displays the state level of the port. none – Indicates that the port is either in its initial creation state or is just about to be deleted. ghost – No member links are configured as part of this bundle. down – All member links are in “none”, “ghost”, or “down” state. linkUp – At least one member link is in port state “link up” but the bundle protocol is not yet operationally up (due to bundle protocol still coming up. For example, due to insufficient number of member links in “link up” state yet or to bundle being shut down. Up – Indicates that the bundle is ready to pass some kinds of traffic as the bundle protocol has come up (at least “minimum links” member links are in the port state up and the bundle protocol is up.)
Min Links Minimum Links	Displays the minimum number of links that must be active for a bundle to be active. If the number of links drop below the given minimum then the multilink bundle will transition to an operation down state.)
Total/Active Links	Displays the total number of active links for the bundle.

Sample Output

```
A:timetra-sim110# show multilink-bundle bundle-ima-1/1.2
=====
Bundle Summary
=====
Bundle          Type   Admin   Oper   Port   Min   Total/
Id              State  State  State  State  Links Active Links
-----
bundle-ima-1/1.2  ima    Down    Down   Link Up  1     1/0
-----
Bundles : 1
=====
A:timetra-sim110#

A:timetra-sim110# show multilink-bundle bundle-ima-1/1.2 detail
=====
Bundle bundle-ima-1/1.2 Detail
=====
Description      : MultiLink Bundle
Bundle Id        : bundle-ima-1/1.2   Type           : ima
Admin Status     : down                Oper Status    : down
```

Interface Configuration

```

Minimum Links      : 1                Bundle IfIndex    : 555749378
Total Links       : 1                Active Links      : 0
Red Diff Delay    : 25               Yellow Diff Delay : N/A
Red Diff Delay Act : down            MRRU              : N/A
Short Sequence    : N/A              Oper MRRU         : N/A
Oper MTU          : 1524             Fragment Threshold : 128 bytes
Up Time           : N/A              Bandwidth         : 0 KBit
PPP Input Discards : N/A             Primary Member Port: 1/1/1.1.1.1
Interleave-Frag   : N/A
  
```

```

-----
Member Port Id      Admin Oper  Active  Down Reason      Up Time
-----
1/1/1.1.1.1        up    up     no      oper down        N/A
-----
  
```

```

=====
Traffic Statistics
=====
                                     Input          Output
-----
Octets                0                0
Packets               0                0
Errors                0                0
=====
  
```

```

=====
Port Statistics
=====
                                     Input          Output
-----
Packets               0                0
Discards              0                0
Unknown Proto Discards 0
=====
  
```

A:timetra-sim110#

A:timetra-sim110# show multilink-bundle bundle-ima-1/1.2 ima

```

=====
Bundle bundle-ima-1/1.2 IMA group information
=====
Version              : 1.1
Current State        : Startup Near-end
Near-end State       : Startup
Far-end State        : Not configured
Group Test State     : Disabled
Max BW Links         : 8
Operational Secs    : N/A                Down Secs          : 2811
Tx IMA Id            : 0                  Rx IMA Id          : 255
Tx Timing Ref Link   : N/A                Rx Timing Ref Link : N/A
Tx Oam Label         : 3                  Rx Oam Label       : 0
Test Link            : N/A                Test Pattern       : 0
Near-End Clock-Mode : ctc                 Far-End Clock-Mode : itc
Link Deact Timer     : 2000                Link Act Timer     : 10000
Alpha-value          : 2                  Beta-value         : 2
Gamma-value          : 1                  Symmetry Mode      : symmetric
Tx CR Available      : 0 KBit              Rx CR Available    : 0 KBit
Least Delayed Link   : N/A                Max Obs Diff Delay : 0
Near-End Fails       : 1                  Far-end Fails      : 0
Tx Icp Cells         : 0                  Rx Icp Cells       : 0
Errored Icp Cells    : 0                  Rx Lost Icp Cells  : 0
=====
  
```

A:timetra-sim110#

Multilink Bundle Commands

The following stats display when the bundle type is mlppp-lfi and the The following stats should only be displayed if the bundle type is mlppp-lfi and the detail keyword is issued.

```
LFI Statistics
              Ingress      Egress
              Packet Bytes Packet  Byte
High          5000 5000000  2000  2000000
Normal        1000010000000 5000    5000000
=====
```

ppp

Syntax `ppp [multiclass]`

Context `show>multilink-bundle`

Description This command enables the context to display PPP group data.

MDA Values 1, 2

multiclass

Specifies to display multi-class MLPPP information.

Sample Output

```
A:timetra-sim110# show multilink-bundle bundle-ppp-1/1.1 ppp
=====
PPP Protocols for bundle-ppp-1/1.1
=====
Protocol  State          Last Change          Restart Count  Last Cleared
-----
ipcp      initial        02/16/2007 06:11:44      0             02/16/2007 06:11:44
mplscp    initial        02/16/2007 06:11:44      0             02/16/2007 06:11:44
bcp       initial        02/16/2007 06:11:44      0             02/16/2007 06:11:44
osicp     initial        02/16/2007 06:11:44      0             02/16/2007 06:11:44
ipv6cp    initial        02/16/2007 06:11:44      0             02/16/2007 06:11:44
=====
Local Mac address : 8c:6e:01:01:00:3d Remote Mac address : 00:00:00:00:00:00
Local IPv4 address : 0.0.0.0 Remote IPv4 address: 0.0.0.0
Local IPv6 address : ::
Remote IPv6 address: ::
=====
*A:mlppp_top#

*A:mlppp_top# show multilink-bundle bundle-ppp-1/1.1 ppp multiclass
=====
MLPPP Per Class Traffic Statistics for bundle-ppp-1/1.1
=====
              Input              Output
-----
Class 0
  Octets              0              0
  Packets             0              0
  Errors              0              0
```

```

Class 1
  Octets          0          0
  Packets         0          0
  Errors          0          0
Class 2
  Packets         0          0
  Errors          0          0
Class 3
  Octets          0          270400
  Packets         0          2704
  Errors          0          0
=====
*A:mlppp_top#

```

atm

Syntax `atm [detail]`

Context `show>multilink-bundle>ima`

Description This command displays multilink bundle IMA ATM information.

Parameters `detail` — Displays detailed information.

Output **Show Multilink-bundle IMA ATM Output** — The following table describes show multilink-bundle IMA ATM output fields..

Label	Description
Cell Mode	Displays the cell format (UNI or NNI) used on the ATM interface.
Configured VCs	Displays the number of configured VCs.
Configured VTs	Displays the number of configured VTs.
Configured minimum VPI	Displays the minimum VPI configured for this bundle.
Last Unknown VPI/VCI	Indicates the last unknown VPI/VCI that was received on this interface.
Mapping	Displays ATM cell mapping used on this interface: Direct or PLCP.
Configured VPs	Displays the number of configured VPs.
Configured IFCs	Displays the number of configured IFCs.

Sample Output

```

A:NS052651098# show multilink-bundle bundle-ima-1/1.1 ima atm
=====
ATM Info for bundle-ima-1/1.1
=====
Cell Mode          : UNI          Mapping          : Direct
Configured VCs    : 1            Configured VPs   : 0

```

Multilink Bundle Commands

```

Configured VTs          : 0                Configured IFCs      : 0
Configured minimum VPI: 0
Last Unknown VPI/VCI   : none
=====
ATM Bandwidth Info
=====
                kbps      %                kbps      %
-----
Ingress CBR       : 15232   100%    Egress CBR       : 15232   100%
Ingress RT-VBR    : 0         0%     Egress RT-VBR    : 0         0%
Ingress NRT-VBR   : 0         0%     Egress NRT-VBR   : 0         0%
Ingress UBR       : 0         0%     Egress UBR       : 0         0%
-----
Ingress Total     : 15232   100%    Egress Total     : 15232   100%
ATM Link Bandwidth : 15232 kbps
Shaped Bandwidth  : 15232 kbps
=====

```

connections

Syntax **connections**

Context show>multilink-bundle>ima>atm

Description This command displays connection information.

Parameters **pvc** — Displays ATM port PVC information.

pvp — Displays ATM port PVP information.

pvt — Displays ATM port PVT information.

vpi-range — Displays the VPI range.

Values vpi: 0 — 4095 (NNI)
0 — 255 (UNI)

vpi — Displays the VPI values.

Values vpi: 0 — 4095 (NNI)
0 — 255 (UNI)

vci: — Displays the VCI values.

Values 1, 2, 5 — 65534

detail — Provides detailed information.

MDA Values 1, 2

Output **Show Multilink-bundle IMA ATM Connections Output** — The following table describes show multilink-bundle IMA ATM connections output fields.

Label	Description
Owner	Identifies the system entity that owns a specific ATM connection.

Label	Description (Continued)
Type	Specifies the type of this multilink bundle. mlppp — Indicates that the bundle is of type MLPPP. ima — Indicates that the bundle is of type IMA group.
Ing.TD	Specifies the ATM traffic descriptor profile that applies to the receive direction of the interface connection.
Egr.TD	Specifies the ATM traffic descriptor profile that applies to the transmit direction of the interface connection.
Adm	ima — Indicates that the bundle is of type IMA group. Down — The bundle is administratively down.
Opr	Up — The bundle is operationally up. Down — The bundle is operationally down.
OAM	Indicates the OAM operational status of ATM connections.

Sample Output

```
A:~NS052651098# show multilink-bundle bundle-ima-1/1.1 ima atm connections
=====
ATM Connections, Port bundle-ima-1/1.1
=====
      Owner  Type      Ing.TD  Egr.TD  Adm  OAM      Opr
-----
1/100     SAP     PVC      2       2     up   up       up
=====
A:~NS052651098#
```

port-connection

Syntax `port-connection [detail]`

Context `show>multilink-bundle>ima>atm`

Description This command displays port connection information.

Parameters `detail` — Displays detailed information.

Output **Show Multilink-Bundle IMA ATM Port-Connection Output** — The following table describes show multilink-bundle IMA ATM port-connection output fields.

Multilink Bundle Commands

Label	Description
Port ID	Displays the port ID for this bundle.
Admin State	ima – Indicates that the bundle is of type IMA group. Down – The bundle is administratively down.
Oper State	Up – The bundle is operationally up. Down – The bundle is operationally down.
Owner	Identifies the system entity that owns a specific ATM connection.
Endpoint Type	Displays the endpoint type.
Cast Type	Indicates the connection topology type.
Ing. Td Idx	Specifies the ATM traffic descriptor profile that applies to the receive direction of the interface connection.
Egr. Td Idx	Specifies the ATM traffic descriptor profile that applies to the transmit direction of the interface connection.
Last Changed	Indicates the date and time when the interface connection entered its current operational state.

Sample Output

```
A:~NS052651098# show multilink-bundle bundle-ima-1/1.1 ima atm port-connection
=====
ATM Port Connection
=====
Port Id           : bundle-ima-1/1.1
Admin State       : up                               Oper state      : up
Owner             : SAP
Endpoint Type     : Port                             Cast Type       : P2P
Ing. Td Idx       : 2                               Egr. Td Idx    : 2
Last Changed      : 01/16/2007 14:24:00
=====
A:~NS052651098#
```

pvc

Syntax `pvc [vp]/[vc] [detail]`

Context `show>multilink-bundle>ima>atm`

Description This command displays ATM port PVC information.

- Parameters**
- vpi** — Displays the VPI values.
- Values** vpi: 0 — 4095 (NNI)
0 — 255 (UNI)
- vci:** — Displays the VCI values.
- Values** 1, 2, 5 — 65534
- detail** — Provides detailed information.
- MDA Values** 1, 2

Output **Show Multilink-Bundle IMA ATM PVC Output** — The following table describes show multilink-bundle IMA ATM port-connection output fields.

Label	Description
VPI/VCI	Displays the VPI/VCI value.
Owner	Specifies the type of this multilink bundle. mlppp — Indicates that the bundle is of type MLPPP. ima — Indicates that the bundle is of type IMA group.
Type	Identifies the system entity that owns a specific ATM connection.
Ing.TD	Specifies the ATM traffic descriptor profile that applies to the receive direction of the interface connection.
Egr.TD	Specifies the ATM traffic descriptor profile that applies to the transmit direction of the interface connection.
Adm	ima — Indicates that the bundle is of type IMA group. Down — The bundle is administratively down.
Opr	Up — The bundle is operationally up. Down — The bundle is operationally down.
OAM	Indicates the OAM operational status of ATM connections.

Sample Output

```
A:NS052651098# show multilink-bundle bundle-ima-1/1.1 ima atm pvc
=====
ATM PVCs, Port bundle-ima-1/1.1
=====
VPI/VCI   Owner  Type   Ing.TD  Egr.TD  Adm  OAM    Opr
-----
1/100    SAP    PVC    2       2       up   up     up
=====
A:NS052651098#
```

Multilink Bundle Commands

```
A:~NS052651098# show multilink-bundle bundle-ima-1/1.1 ima atm pvc detail
=====
ATM PVCs, Port bundle-ima-1/1.1
=====
VPI/VCI   Owner  Type   Ing.TD  Egr.TD  Adm  OAM      Opr
-----
1/100     SAP    PVC    2       2       up   up       up

=====
ATM Statistics
=====
                                     Input          Output
-----
Octets                    0                0
Cells                     0                0
=====
AAL-5 Packet Statistics
=====
                                     Input          Output
-----
Packets                   0                0
Dropped Packets          0                0
CRC-32 Errors             0
Reassembly Timeouts      0
Over Sized SDUs           0
=====
ATM OAM Statistics
=====
                                     Input          Output
-----
AIS                       0                0
RDI                       0                0
Loopback                  0                0
CRC-10 Errors             0
Other                     0
=====
A:~NS052651098#
```

pvp

Syntax `pvp [vpi] [detail]`

Context `show>multilink-bundle>ima>atm`

Description This command displays ATM port PVP information.

Parameters `vpi` — Displays the VPI values.

Values `vpi`: 0 — 4095 (NNI)
0 — 255 (UNI)

detail — Displays detailed information.

MDA Values 1, 2

Output Show Multilink-bundle IMA ATM PVP Output — The following table describes show multilink-bundle IMA ATM port-connection output fields.

Label	Description
VPI	Displays the VPI value.
Owner	Identifies the system entity that owns a specific ATM connection.
Type	Specifies the type of this multilink bundle. mlppp — Indicates that the bundle is of type MLPPP. ima — Indicates that the bundle is of type IMA group.
Ing.TD	Specifies the ATM traffic descriptor profile that applies to the receive direction of the interface connection.
Eng.TD	Specifies the ATM traffic descriptor profile that applies to the transmit direction of the interface connection.
Adm	ima — Indicates that the bundle is of type IMA group. Down — The bundle is administratively down.
OAM	Indicates the OAM operational status of ATM connections.
Opr	Up — The bundle is operationally up. Down — The bundle is operationally down.

Sample Output

```
A:ima2# show multilink-bundle bundle-ima-1/1.1 ima atm pvp
=====
ATM PVPs, Port bundle-ima-1/1.1
=====
VPI      Owner  Type   Ing.TD  Egr.TD  Adm  OAM      Opr
-----
2        SAP    PVP    1       1       up   up       up
=====
A:ima2#
```

Multilink Bundle Commands

pvt

Syntax `pvt [vpi.vpi] [detail]`

Context `show>multilink-bundle>ima>atm`

Description This command displays ATM port PVT information.

Parameters `vpi` — Displays the VPI values.

Values `vpi:` 0 — 4095 (NNI)
0 — 255 (UNI)

detail — Provides detailed information.

MDA Values 1, 2

Output **Show Multilink-bundle IMA ATM PVT Output** — The following table describes show multilink-bundle IMA ATM port-connection output fields.

Label	Description
VPI Range	Displays the VPI range:
Owner	Identifies the system entity that owns a specific ATM connection.
Type	Specifies the type of this multilink bundle. <code>mlppp</code> — Indicates that the bundle is of type MLPPP. <code>ima</code> — Indicates that the bundle is of type IMA group.
Ing.Td	Specifies the ATM traffic descriptor profile that applies to the receive direction of the interface connection.
Egr.Td	Specifies the ATM traffic descriptor profile that applies to the transmit direction of the interface connection.
Adm	<code>ima</code> — Indicates that the bundle is of type IMA group. <code>Down</code> — The bundle is administratively down.
Opr	<code>Up</code> — The bundle is operationally up. <code>Down</code> — The bundle is operationally down.

Sample Output

```
A:ima2# show multilink-bundle bundle-ima-1/1.1 ima atm pvt
=====
ATM PVTs, Port bundle-ima-1/1.1
=====
VPI Range  Owner  Type      Ing.TD  Egr.TD  Adm      Opr
-----
4.5        SAP    PVT       1       1       up       up
=====
A:ima2#
```

LAG Commands

lag

Syntax **lag** [*lag-id*] [**detail**] [**statistics**]
lag *lag-id* **associations**

Context show

Description This command displays Link Aggregation Group (LAG) information.
 If no command line options are specified, a summary listing of all LAGs is displayed.

Parameters *lag-id* — Displays only information on the specified LAG ID.

Default Display information for all LAG IDs.

Values 1 — 64

detail — Displays detailed LAG information.

Default Displays summary information.

statistics — Displays LAG statistics information.

associations — Displays a list of current router interfaces to which the LAG is assigned.

Output **LAG Output** — The following table describes LAG output fields.

Label	Description
LAG ID	The LAG or multi-link bundle ID that the port is assigned to.
Adm	Up — The LAG is administratively up. Down — The LAG is administratively down.
Opr	Up — The LAG is operationally up. Down — The LAG is operationally down.
Port-Threshold	The number of operational links for the LAG at or below which the configured action will be invoked.
Up-Link-Count	The number of ports that are physically present and have physical links present.
MC Act/Stdby	Member port is selected as active or standby link.

Sample Output

```
A:ALA-48>config# show lag
```

```
=====
```

LAG Commands

```

Lag Data
=====
Lag-id      Adm    Opr    Port-Threshold  Up-Link-Count  MC Act/Stdby
-----
1           up     down   0                0               N/A
2           up     up     0                1               active
3           up     down   0                0               standby
4           up     down   0                0               standby
10          up     down   0                0               N/A
-----
Total Lag-ids: 5      Single Chassis: 2      MC Act: 1      MC Stdby: 2
=====
A:ALA-48>config# show lag

```

Detailed LAG Output — The following table describes detailed LAG output fields. The output is dependent on whether or not the LAG was configured as a multi-chassis LAG.

Label	Description
LAG ID	The LAG or multi-link trunk (MLT) that the port is assigned to.
Adm	Up — The LAG is administratively up. Down — The LAG is administratively down.
Port Threshold	If the number of available links is equal or below this number, the threshold action is executed.
Thres. Last Cleared	The last time that keepalive stats were cleared.
Dynamic Cost	The OSPF costing of a link aggregation group based on the available aggregated, operational bandwidth.
Configured Address	The base chassis Ethernet MAC address.
Hardware Address	The hardware address.
Hold-Time Down	The timer, in tenths of seconds, which controls the delay between detecting that a LAG is down and reporting it to the higher levels.
LACP	Enabled — LACP is enabled. Down — LACP is disabled.
LACP Transmit Intvl	LACP timeout signalled to peer.
Selection Criteria	Configured subgroup selection criteria.
Number of sub-groups	Total subgroups in LAG.
System ID	System ID used by actor in LACP messages.
Admin Key	Configured LAG key.

Label	Description (Continued)
Oper Key	Key used by actor in LACP messages.
System Priority	System priority used by actor in LACP messages.
Prtr System ID	System ID used by partner in LACP messages.
Prtr Oper Key	Key used by partner in LACP messages.
Prtr System Pri- ority	System priority used by partner in LACP messages.
Mode	LAG in access or network mode.
Opr	Up – The LAG is operationally up. Down – The LAG is operationally down.
Port Threshold	Configured port threshold.
Thres. Exceeded Cnt	The number of times that the drop count was reached.
Threshold Action	Action to take when the number of available links is equal or below the port threshold.
Encap Type	The encapsulation method used to distinguish customer traffic on a LAG.
Lag-IFIndex	A box-wide unique number assigned to this interface.
Adapt QoS	Displays the configured QoS mode.
Port ID	The specific slot/MDA/port ID.
(LACP) Mode	LACP active or passive mode.
LACP xmit standby	LACP transmits on standby links enabled / disabled.
Slave-to-partner	Configured enabled/disabled.
Port-id	Displays the member port ID.
Adm	Displays the member port administrative state.
Active/stdby	Indicates that the member port is selected as the active or standby link.
Opr	Indicates that the member port operational state.
Primary	Indicates that the member port is the primary port of the LAG.
Sub-group	Displays the member subgroup where the member port belongs to.
Priority	Displays the member port priority.

Sample Output

```

*A:Dut-B# show lag 10 detail
=====
LAG Details
=====
Description : N/A
-----
Details
-----
Lag-id : 10 Mode : access
Adm : up Opr : up
Thres. Exceeded Cnt : 1 Port Threshold : 0
Thres. Last Cleared : 05/17/2009 19:33:00 Threshold Action : down
Dynamic Cost : false Encap Type : qinq
Configured Address : 00:03:fa:8d:45:d2 Lag-IfIndex : 1342177290
Hardware Address : 00:03:fa:8d:45:d2 Adapt Qos : distribute
Hold-time Down : 0.0 sec Port Type : standard
Per FP Ing Queuing : disabled
LACP : enabled Mode : active
LACP Transmit Intvl : fast LACP xmit stdby : enabled
Selection Criteria : highest-count Slave-to-partner : disabled
Number of sub-groups: 1 Forced : -
System Id : 00:03:fa:8d:44:88 System Priority : 32768
Admin Key : 32777 Oper Key : 40009
Prtr System Id : 00:03:fa:13:6f:a7 Prtr System Priority : 32768
Prtr Oper Key : 32777
MC Peer Address : 10.20.1.2 MC Peer Lag-id : 10
MC System Id : 00:02:80:01:00:0a MC System Priority : 100
MC Admin Key : 40009 MC Active/Standby : active
MC Lacp ID in use : true MC extended timeout : false
MC Selection Logic : peer decided
MC Config Mismatch : no mismatch
Source BMAC LSB : use-lacp-key Oper Src BMAC LSB : 9c:49
-----
Port-id Adm Act/Stdby Opr Primary Sub-group Forced Prio
-----
1/1/10 up active up yes 1 - 32768
-----
Port-id Role Exp Def Dist Col Syn Aggr Timeout Activity
-----
1/1/10 actor No No Yes Yes Yes Yes Yes Yes
1/1/10 partner No No Yes Yes Yes Yes Yes Yes
=====
*A:ALA-48>show# lag 1 detail
=====
LAG Details
=====
Description:
-----
Details
-----
Lag-id          : 1          Mode          : access
Adm             : up        Opr           : down
Thres. Exceeded Cnt : 0          Port Threshold : 3
Thres. Last Cleared : 02/21/2007 12:39:36 Threshold Action : dynamic cost
Dynamic Cost    : false      Encap Type    : null
Configured Address : 04:67:01:01:00:01 Lag-IfIndex   : 1342177281
Hardware Address : 14:30:ff:00:01:41   Adapt Qos    : distribute

```

```

Hold-time Down      : 0.0 sec
LACP                : enabled
LACP Transmit Intvl : fast
Selection Criteria  : highest-count
Number of sub-groups: 0
System Id           : 14:30:ff:00:00:00
Admin Key           : 32768
Prtr System Id      :
Prtr Oper Key       : 0

Mode                : active
LACP xmit stdby     : enabled
Slave-to-partner    : enabled
Forced              : -
System Priority      : 1
Oper Key            : 32666
Prtr System Priority : 0

MC Peer Address     : 10.10.10.2
MC System Id        : 00:00:00:33:33:33
MC Admin Key        : 32666
MC Lacp ID in use   : true
MC Selection Logic   : peer timed out (no route to peer), selected local
                      subgroup
MC Config Mismatch  : no mismatch
    
```

```

-----
Port-id      Adm   Act/Stdby Opr   Primary  Sub-group  Forced  Prio
-----
=====
*A:ALA-48>show#
    
```

LAG Statistics Output — The following table describes detailed LAG statistics output fields.

Label	Description
LAG ID	The LAG or multi-link trunk (MLT) that the port is assigned to.
Port ID	The port ID configured or displayed in the <i>slot/mda/port</i> format.
Input Bytes	The number of incoming bytes for the LAG on a per-port basis.
Input Packets	The number of incoming packets for the LAG on a per-port basis.
Output Bytes	The number of outbound bytes for the LAG on a per-port basis.
Output Packets	The number of outbound packets for the LAG on a per-port basis.
Input/Output Errors	For packet-oriented interfaces, the number of inbound packets that contained errors preventing them from being deliverable to a higher-layer protocol. For character-oriented or fixed-length interfaces, the number of inbound transmission units that contained errors preventing them from being deliverable to a higher-layer protocol. For packet-oriented interfaces, the number of outbound packets that could not be transmitted because of errors. For character-oriented or fixed-length interfaces, the number of outbound transmission units that could not be transmitted because of errors.
Totals	Displays the column totals for bytes, packets, and errors.

Sample Output

```

ALA-1# show lag statistics
=====
    
```

LAG Commands

```

LAG Statistics
=====
Description:
Lag-id Port-id   Input      Input      Output     Output     Input      Output
          Bytes    Packets    Bytes      Packets    Errors     Errors
-----
1       1/1/3      0          1006       0          2494       0          0
          1/1/4      0          435        0          401        0          0
          1/1/5      0          9968       0          9833       0          0
-----
Totals          0          11409      0          12728     0          0
=====
ALA-1#

```

LAG Associations Output — The following table describes LAG associations output fields.

Label	Description
Service ID	The service associated with the LAG.
Name	The name of the IP interface.
Encap Val	The Dot1q or QinQ values of the port for the IP interface.

Sample Output

```

A:ALA-1# show lag 5 associations
=====
Interface Table
=====
Router/ServiceId      Name                Encap Val
-----
Router: Base          LAG2West            0
-----
Interfaces
=====
A:ALA-1#

```

LAG Details with MC-LAG Output — The following example displays LAG output with MC LAG:

```

*A:pc5# show lag 2 detail
=====
LAG Details
=====
Description:
-----
Details
-----
Lag-id      : 2                Mode           : access
Adm         : up              Opr            : up
Thres. Exceeded Cnt : 2                Port Threshold : 0
Thres. Last Cleared : 04/11/2007 21:50:55  Threshold Action : down
Dynamic Cost : false          Encap Type     : dot1q
Configured Address : 8e:8b:ff:00:01:42  Lag-IfIndex   :
1342177282

```

Interface Configuration

```

Hardware Address      : 8e:8b:ff:00:01:42      Adapt Qos           :
distribute
Hold-time Down       : 0.0 sec
LACP                  : enabled                Mode                 : active
LACP Transmit Intvl  : fast                    LACP xmit stdby     : enabled
Selection Criteria   : highest-count           Slave-to-partner    : disabled
Number of sub-groups: 2                       Forced                : -
System Id            : 8e:8b:ff:00:00:00      System Priority      : 32768
Admin Key             : 32768                  Oper Key             : 32768
Prtr System Id       : 8e:89:ff:00:00:00      Prtr System Priority : 32768
Prtr Oper Key        : 32768

MC Peer Address      : 10.10.10.101          MC Peer Lag-id       : 2
MC System Id         : 01:01:01:01:01:01      MC System Priority    : 2
MC Admin Key         : 1                      MC Active/Standby    : active
MC Lacp ID in use   : false                  MC extended timeout  : false
MC Selection Logic   : waiting for peer info MC Config Mismatch : no mismatch

```

```

-----
Port-id      Adm  Act/Stdby Opr  Primary  Sub-group  Forced
Prio
-----
1/1/1       up   active   up   yes      7          -      99
1/1/2       up   standby  down  yes      8          -     100
-----

```

```

Port-id      Role   Exp  Def  Dist  Col  Syn  Aggr  Timeout
Activity
-----
1/1/1       actor  No   No   Yes  Yes  Yes  Yes  Yes  Yes
1/1/1       partner No   No   Yes  Yes  Yes  Yes  Yes  Yes
1/1/2       actor  No   No   No   No   Yes  Yes  Yes  Yes
1/1/2       partner No   No   No   No   Yes  Yes  Yes  Yes
-----

```

=====
*A:pc5#

LAG Details without MC-LAG Output — The following example displays LAG output without MC LAG:

```

*A:pc5# show lag 2 detail
=====
LAG Details
=====
Description:
-----
Details
-----
Lag-id          : 2                      Mode              : access
Adm             : up                      Opr               : up
Thres. Exceeded Cnt : 4                  Port Threshold    : 0
Thres. Last Cleared : 04/11/2007 02:03:49  Threshold Action  : down
Dynamic Cost    : false                  Encap Type        : dot1q
Configured Address : 8e:8b:ff:00:01:42  Lag-IfIndex       :
1342177282
Hardware Address : 8e:8b:ff:00:01:42  Adapt Qos        :
distribute
Hold-time Down  : 0.0 sec
LACP            : enabled                Mode              : active
LACP Transmit Intvl : fast                    LACP xmit stdby   : enabled
Selection Criteria : highest-count           Slave-to-partner  : disabled
Number of sub-groups: 2                       Forced            : -

```

LAG Commands

```

System Id           : 8e:8b:ff:00:00:00      System Priority     : 32768
Admin Key           : 32768                  Oper Key           : 32768
Prtr System Id     : 8e:89:ff:00:00:00      Prtr System Priority : 32768
Prtr Oper Key      : 32768
  
```

```

-----
Port-id      Adm  Act/Stdby Opr   Primary  Sub-group  Forced
Prio
-----
1/1/1       up   active   up   yes      7          -      99
1/1/2       up   standby  down  yes      8          -      100
  
```

```

-----
Port-id      Role    Exp  Def  Dist  Col  Syn  Aggr  Timeout
Activity
-----
1/1/1       actor   No   No   Yes  Yes  Yes  Yes  Yes  Yes
1/1/1       partner No   No   Yes  Yes  Yes  Yes  Yes  Yes
1/1/2       actor   No   No   No   No   No   Yes  Yes  Yes
1/1/2       partner No   No   No   No   Yes  Yes  Yes  Yes
  
```

```

=====
*A:pc5#
  
```

Monitor Commands

card

Syntax `card slot-number fp fp-number ingress {access|network} queue-group queue-group-name instance instance-id [absolute] [interval seconds] [repeat repeat] policer policer-id`

Context monitor

Description This command monitors card parameters.

port

Syntax `port port-id [port-id...(up to 5 max)] [interval seconds] [repeat repeat] [absolute | rate] [multiclass]`

Context monitor

Description This command enables port traffic monitoring. The specified port(s) statistical information displays at the configured interval until the configured count is reached.

The first screen displays the current statistics related to the specified port(s). The subsequent statistical information listed for each interval is displayed as a delta to the previous display.

When the keyword **rate** is specified, the "rate per second" for each statistic is displayed instead of the delta.

Monitor commands are similar to **show** commands but only statistical information displays. Monitor commands display the selected statistics according to the configured number of times at the interval specified.

Parameters **port** *port-id* — Specify up to 5 port IDs. Port-IDs are only MLPPP bundles or bundle protection groups when the multiclass keyword is specified.

Syntax:

<i>port-id</i>	slot/mda/port[.channel]
<i>aps-id</i>	aps-group-id[.channel]
	aps keyword
	group-id 1 — 16
bundle ID	bundle-type-slot/mda.bundle-num
	bpgrp-type-bpgrp-num
	bundle keyword
	bundle-num 1 — 16
	type ima, ppp

interval *seconds* — Configures the interval for each display in seconds.

Default 10 seconds

Values 3 — 60

repeat *repeat* — Configures how many times the command is repeated.

Monitor Commands

Default 10

Values 1 — 999

absolute — When the **absolute** keyword is specified, the raw statistics are displayed, without processing. No calculations are performed on the delta or rate statistics.

rate — When the **rate** keyword is specified, the rate-per-second for each statistic is displayed instead of the delta.

Sample Output

```
A:ALA-12>monitor# port 1/1/4 interval 3 repeat 3 absolute
=====
Monitor statistics for Port 1/1/4
=====
                                     Input                               Output
-----
At time t = 0 sec (Base Statistics)
-----
Octets                               0                               0
Packets                              39                              175
Errors                                0                               0
-----
At time t = 3 sec (Mode: Absolute)
-----
Octets                               0                               0
Packets                              39                              175
Errors                                0                               0
-----
At time t = 6 sec (Mode: Absolute)
-----
Octets                               0                               0
Packets                              39                              175
Errors                                0                               0
-----
At time t = 9 sec (Mode: Absolute)
-----
Octets                               0                               0
Packets                              39                              175
Errors                                0                               0
=====
A:ALA-12>monitor#

A:ALA-12>monitor# port 1/1/4 interval 3 repeat 3 rate
=====
Monitor statistics for Port 1/1/4
=====
                                     Input                               Output
-----
At time t = 0 sec (Base Statistics)
-----
Octets                               0                               0
Packets                              39                              175
Errors                                0                               0
-----
At time t = 3 sec (Mode: Rate)
-----
```

```

Octets          0          0
Packets         0          0
Errors          0          0
-----
At time t = 6 sec (Mode: Rate)
-----
Octets          0          0
Packets         0          0
Errors          0          0
-----
At time t = 9 sec (Mode: Rate)
-----
Octets          0          0
Packets         0          0
Errors          0          0
=====
A:ALA-12>monitor#

=====
*A:Cpm-A> monitor port bundle-fr-1/1.1
=====
Monitor statistics for Port bundle-fr-1/1.1
=====
Input           Output
-----
At time t = 0 sec (Base Statistics)
-----
0               0
-----Octets
Packets         0          0
Errors          0          0

```

port (ATM)

Syntax `atm [interval seconds] [repeat repeat] [absolute | rate]`

Context `monitor>port`

Description This command enables ATM port traffic monitoring.

Parameters `interval seconds` — Configures the interval for each display in seconds.

Default 5 seconds

Values 3 — 60

`repeat repeat` — Configures how many times the command is repeated.

Default 10

Values 1 — 999

absolute — When the **absolute** keyword is specified, the raw statistics are displayed, without processing. No calculations are performed on the delta or rate statistics.

rate — When the **rate** keyword is specified, the rate-per-second for each statistic is displayed instead of the delta.

Monitor Commands

Sample Output

```
A:ALA-49# monitor port 1/1/1 atm interval 3 repeat 2 absolute
=====
Monitor ATM statistics for Port 1/1/1
=====
                                     Input          Output
-----
At time t = 0 sec (Base Statistics)
-----
Octets                               0             0
Cells                                 0             0
Unknown VPI/VCI Cells                0
-----
At time t = 3 sec (Mode: Absolute)
-----
Octets                               0             0
Cells                                 0             0
Unknown VPI/VCI Cells                0
-----
At time t = 6 sec (Mode: Absolute)
-----
Octets                               0             0
Cells                                 0             0
Unknown VPI/VCI Cells                0
=====
A:ALA-49#
```

Clear Commands

card

Syntax **card** *slot-number* **soft**
card *slot-number* **soft** [**hard-reset-unsupported-mdas**]
card *slot-number* **fp** [1..2] **ingress mode** {**access**|**network**} **queue-group** *group-name* **instance**
instance **statistics**
card *slot-number* [**soft**]

Context clear

Description This command reinitializes the card in the specified slot.

Parameters *slot-number* — Clears information for the specified card slot.

slot-number — Clears information for the card.

Values 1

soft — Issues a soft reset of the I/O module (IOM).

lag

Syntax **lag** *lag-id* **statistics**

Context clear

Description This command clears statistics for the specified LAG ID.

Parameters *lag-id* — The LAG ID to clear statistics.

Values 1 — 64

statistics — Specifies to clear statistics for the specified LAG ID.

mda

Syntax **mda** *mda-id* [**statistics**]

Context clear

Description This command reinitializes the specified MDA in a particular slot.

Parameters *mda-id* — Clears the specified slot and MDA/CMA.

Monitor Commands

mda-id — Clears information for the specified MDA/CMA slot. MDAs are displayed with an “m” in the card-type description. CMAs are displayed with a “c” in the card-type.

Values 1, 2, 3

statistics — Clears statistics for the specified MDA.

port

Syntax **port** *port-id* **atm** **pvc** [*vpi*/*vci*] **statistics**
port *port-id* **atm** **pvp** [*vpi*] **statistics**
port *port-id* **atm** **pvt** [*vpi1.vpi2*] **statistics**
port *port-id* **atm** **ilmi** **statistics**
port *port-id* **atm** **port-connection** **statistics**
port *port-id* **queue-group** *queue-group-name* [**access** | **network**] {**ingress** | **egress**}
[**access**|**network**] [{**statistics**|**associations**}]
port *port-id* **statistics**

Context clear

Description This command clears port statistics for the specified port(s).

Parameters *port-id* — The port identifier.

Values	port-id	slot[/mda/port]] or slot/mda/port[.channel]
	aps-id	aps-group-id[.channel]
		aps keyword
		group-id 1 — 16
	bundle-type-slot/mda.bundle-num	
		bundle keyword
		type ima, ppp
		bundle-num 1 — 336
	bpggrp-id	bpggrp-<type>-<bpggrp-num>
		bpggrp keyword
		type ima, ppp
		bpggrp-num 1 — 256

statistics — Specifies that port statistics will be cleared.

atm — Specifies that ATM port statistics will be cleared.

ilmi — Clears ILMI information. This parameter is only applicable for ports/bundles that support ILMI.

vpi — Specifies the ATM network virtual path identifier (VPI) for this PVC.

vci — Specifies the ATM network virtual channel identifier (VCI) for this PVC.

slot — The slot number.

Values 1 - 10

mda — The MDA number.

Default All MDAs.

Values 1, 2

MDA Values 7710 SR-c4: 1, 3

CMA Values 7710 SR-c4: 1-4

pvc — Clears PVC statistics.

port-connection — Clears port-connection statistics.

queue-group *queue-group-name* — Clears the specified port queue group name. It uniquely identifies a port ingress queue group in the managed system.

ingress — Clears ingress queue group information.

egress — Clears egress queue group information

Sample Output

```
A:SR12# clear port 3/1/1 atm
- atm

      cp           - Clear Connection Profile statistics
      ilmi         - Clear ILMI statistics
      interface-conn* - Clear interface-connection statistics
      pvc          - Clear PVC statistics
      pvp          - Clear PVP statistics
      pvt          - Clear PVT statistics

A:SR12# clear port 3/1/1 atm cp
- cp [<cp>] statistics

<cp>           : [1..8000]
<statistics>   : keyword
```

Tools Commands

aps

Syntax **aps** *aps-id* [**clear**]
aps mc-aps-signaling [**clear**]
aps mc-aps-ppp [**clear**]

Context tools>dump>aps

Description This command displays Automated Protection Switching (APS) information.

Parameters **clear** — Removes all Automated Protection Switching (APS) operational commands.
mc-aps-signaling — Displays multi-chassis APS signaling information.
mc-aps-ppp — Displays multi-chassis APS PPP information.

Sample Output

```
*A:AS_SR7_2# tools dump aps aps-33

GrpId = 33, state = Running, mode:cfg/oper = Bi-directional/Bi-directional
revert = 0, workPort: N/A, protPort: 2/1/1, activePort: working
rxK1 = 0x0 (No-Req on Protect), physRxK1 = 0x0, rxK2 = 0x5
txK1 = 0x0 (No-Req on Protect), physTxK1 = 0x0, txK2 = 0x5
K1ReqToBeTxed = 0x0, K1ChanToBeTxed = 0x0, lastRxReq = 0xc
MC-APS Nbr = 100.100.100.1 (Up), advIntvl = 10, hold = 30
workPort: status = OK, Tx-Lais = None, sdCnt = 1, sfCnt = 1
  numSwitched = 1, switchSecs = 0, lastSwitched = 07/25/2007 08:00:12
  disCntTime = , alarms = , switchCmd = No Cmd
protPort: status = OK, Tx-Lais = None, sdCnt = 1, sfCnt = 0
  numSwitched = 1, switchSecs = 0, lastSwitched = 07/25/2007 08:03:39
  disCntTime = , alarms = , switchCmd = No Cmd
GrpStatus: OK, mmCnt = 1, cmCnt = 1, psbfCnt = 1, feplfCnt = 2
LocalSwitchCmd: priority = No-Req, portNum = 0
RemoteSwitchCmd: priority = No-Req, portNum = 0
Running Timers = mcAdvIntvl mcHold
processFlag = apsFailures = , sonet = Y
DebugInfo: dmEv = 0, dmClrEv = 0, amEv = 1, amClrEv = 1
  cmEv = 1, cmClrEv = 1, psbfEv = 1, psbfClrEv = 1
  feplfEv = 2, feplfClrEv = 2, wtrEv = 0, psbfDetectEv = 0
  wSdEv = 1, wSfEv = 2, pSdEv = 1, pSfEv = 1
  portStatusEv = 8, rxK1Ev = 9, txLaisEv = 2, lastEvName = FeplClr
  CtlUpEv = 3, CtlDnEv = 2, wAct = 0, wDeAct = 0

Seq      Event  TxK1/K2 RxK1/K2  Dir    Active      Time
===      =====
000      ProtAdd 0xc005  0x0000  Tx-->   Work  497 02:18:10.590
001      RxKByte 0xc005  0x6dea  Rx<--   Work  497 02:20:14.820
002      RxKByte 0xc005  0xc005  Rx<--   Work  497 02:21:30.970
003      RxKByte 0xc005  0x2005  Rx<--   Work  497 02:21:36.530
004      pSfClr  0x0005  0x2005  Tx-->   Work  497 02:21:40.590
005      RxKByte 0x0005  0x0005  Rx<--   Work  497 02:21:40.600
```

```

006   RxKByte 0x0005 0xc115 Rx<--   Work 497 02:25:22.840
007   RxKByte 0x2115 0xc115 Tx-->   Prot 497 02:25:22.840
008   RxKByte 0x2115 0xa115 Rx<--   Prot 000 00:00:47.070
009   RxKByte 0x2115 0x1115 Rx<--   Prot 000 00:00:47.560
010   RxKByte 0x2115 0xc005 Rx<--   Prot 000 00:00:57.010
011   RxKByte 0x2005 0xc005 Tx-->   Work 000 00:00:57.010
012   RxKByte 0x2005 0x0005 Rx<--   Work 000 00:01:06.170
013   RxKByte 0x0005 0x0005 Tx-->   Work 000 00:01:06.170

```

Sample Output

```

:AS_SR7_1# tools dump aps mc-aps-ppp

pppmMcsModStarted = Yes
pppmMcsDbgDoSync = Yes
pppmMcsApsGrpHaAuditDone = Yes
pppmMcsPostHaSyncedApsGrpId = 47
pppmMcsMcApsChanCnt = 1280

pppmMcsDbgRxPktCnt = 2560
pppmMcsDbgRxPktNotProcessedCnt = 0
pppmMcsDbgRxPktInvalidCnt = 0
pppmMcsDbgInconsistentRxPktDropCnt = 0
pppmMcsDbgInconsistentTxPktDropCnt = 1176
pppmMcsDbgTxPktNotSentCnt = 0
pppmMcsDbgTxPktSentCnt = 25
pppmMcsDbgEvtDropCnt = 0
pppmMcsDbgMemAllocErrCnt = 0
pppmMcsDbgReTxCnt = 0
pppmMcsDbgReTxExpCnt = 0
pppmMcsDbgReReqCnt = 0

pppmMcsStateAckQueueCnt (curr/peek) = 0/130
pppmMcsStateReqQueueCnt (curr/peek) = 0/1280
pppmMcsStateReReqQueueCnt (curr/peek) = 0/256
pppmMcsStateTxQueueCnt (curr/peek) = 0/512
pppmMcsStateReTxQueueCnt (curr/peek) = 0/130

MC-APS Peer Info :
-----

  Grp 13 Addr 100.100.100.2 - Up
  Grp 20 Addr 100.100.100.2 - Up
  Grp 35 Addr 100.100.100.2 - Up
  Grp 43 Addr 100.100.100.2 - Up
  Grp 47 Addr 100.100.100.2 - Up

Number of ppmMcs Evt Msgs dispatched:
  ctl_link_state : 0
  ctl_link_up_tmr : 0
  ctl_link_down_tmr : 0
  ha_audit_done : 0

```

Monitor Commands

Sample Output

```
*A:eth_aps_sr7# tools dump aps mc-aps-signaling
```

```
MC-APS Control Debug Counters :
```

```
-----  
Ctl Pkt Rx = 0  
Invalid Rx Ctl Pkt = 0  
Incompatible Rx Ctl Pkt = 0  
Nbr not Rx Ctl Pkt = 0  
Invalid Rx Ctl Pkt Tlv = 0  
Ctl Pkt Rx-ed before HaReady = 0  
Not sent Tx Ctl Pkt = 0
```

```
MC-APS-LAG Debug Counters :
```

```
-----  
Ctl Pkt Rx from IOM = 0
```

```
Not processed Rx Ctl Pkt = 0  
Invalid Rx Ctl Pkt = 0  
Incompatible Rx Ctl Pkt = 0  
Rx Ctl Pkt queueing failed = 0
```

```
Ctl Pkt Tx (direct) = 0  
Ctl Pkt Tx (UDP socket) = 0  
Not sent Tx Ctl Pkt = 0
```

```
Route Update = 0  
Matched Route Update = 0
```

```
Msg Buf Alloc Failed = 0
```

```
MC-APS-LAG NbrRoute Entries :
```

```
-----  
NbrAddr 1.1.1.1 NextHopAddr ::  
EgressIfIndex = 0  
EgressPortId = Unknown  
app refCnt = 1  
refCntTotal = 1
```

aps

Syntax **aps**

Context tools>perform

Description This command enables the context to perform Automated Protection Switching (APS) operations.

clear

Syntax **clear** *aps-id* {**protect** | **working**}

Context tools>perform>aps
tools>dump>aps

Description This command removes all Automated Protection Switching (APS) operational commands.

Parameters *aps-id* — This option clears a specific APS on un-bundled SONET/SDH ports.

protect — This command clears a physical port that is acting as the protection circuit for the APS group.

working — This command clears a physical port that is acting as the working circuit for this APS group.

clear

Syntax **clear** *ring-id*

Context tools>perform>eth-ring

Description The Clear command, at the Ethernet Ring Node, is used for the following operations: a) Clearing an active local administrative command (e.g. Forced Switch or Manual Switch). b) Triggering reversion before the WTR or WTB timer expires in case of revertive operation. c) Triggering reversion in case of non-revertive operation.

Parameters *ring-id* — This option clears a specific Ethernet Ring.

exercise

Syntax **exercise** *aps-id* {**protect** | **working**}

Context tools>perform
tools>dump>aps

Description This command performs an exercise request on the protection or working circuit.

Parameters *aps-id* — This option clears a specific APS on un-bundled SONET/SDH ports.

protect — This command performs an exercise request on the port that is acting as the protection circuit for the APS group.

Monitor Commands

working — This command performs an exercise request on the port that is acting as the working circuit for this APS group.

force

Syntax **force** *aps-id* {**protect** | **working**}

Context
tools>perform
tools>dump>aps

Description This command forces a switch to either the protect or working circuit

Parameters *aps-id* — This option clears a specific APS on un-bundled SONET/SDH ports.

protect — This command clears a physical port that is acting as the protection circuit for the APS group.

working — This command clears a physical port that is acting as the working circuit for this APS group.

force

Syntax **force** *ring-id* **path** {**1** | **2**}

Context
tools>perform>eth-ring

Description This command forces a block on the ring port where the command is issued.

manual

Syntax **manual** *ring-id* **path** {**1** | **2**}

Context
tools>perform>eth-ring

Description In the absence of a failure or FS, this command forces a block on the ring port where the command is issued.

lockout

Syntax **lockout** *aps-id*

Context
tools>perform
tools>dump>aps

Description This command locks out the protection circuit.

Parameters *aps-id* — Automated Protection Switching ID

Values 1 — 64

request

Syntax `request aps-id {protect | working}`

Context
tools>perform
tools>dump>aps

Description This command requests a manual switch to protection or working circuit.

Parameters *aps-id* — This option clears a specific APS on un-bundled SONET/SDH ports.

protect — This command requests a manual switch to a port that is acting as the protection circuit for the APS group.

working — This command requests a manual switch to a port that is acting as the working circuit for this APS group.

frame-relay

Syntax `frame-relay port-id`

Context This command displays frame-relay information.

Parameters *port-id* — Specifies the physical port ID.

Syntax: `slot/mda/port[.channel]`

Sample Output

```
tools dump frame-relay bundle-fr-1/1.1

MLFR info for bundle-fr-1/1.1:
  expectedBundleIdStr : "7750-bundle-fr-1/1.1"
  bundleId            : 1
  active/configured   : 4/4
  adminEnabled        : 1
  ddDebDownCnt        : 10
  ddMaxForBundle      : 0
  fwdId               : 0
  linkDebugMask       : 0

----- Member Information -----

1/1/1.1.1.1          PortId = 0x22208056
  Internal ID        : bundle 1, link 1
  Link protocol state : Up
  Diff delay state   : Yellow
  ddRedCnt           : 0
  ddYellowCnt        : 11
  Smoothed diff delay : 20 ms.
  Historical RTT      : 22788, 22756, 22752 us.
  Rx LinkId          : "1/1/1.1.1.1"
  WARNING            : dbgDelay=20 ms
```

Monitor Commands

```
LIP CTL Messages      : Tx: 136      Rx: 135
Hello Messages        : Tx: 121      Rx: 12
Hello Ack Messages    : Tx: 12       Rx: 121
AddLink Messages      : Tx: 2        Rx: 1
AddLinkAck Messages   : Tx: 1        Rx: 1
AddLinkRej Messages   : Tx: 0        Rx: 0
1/1/1.1.2.1          PortId = 0x22208077
  Internal ID          : bundle 1, link 2
  Link protocol state  : Up
  Diff delay state     : OK
  Smoothed diff delay  : 0 ms.
  Historical RTT        : 2271, 2304, 2309 us.
  Rx LinkId            : "1/1/1.1.2.1"
  LIP CTL Messages     : Tx: 136      Rx: 135
  Hello Messages       : Tx: 121      Rx: 12
  Hello Ack Messages   : Tx: 12       Rx: 121
  AddLink Messages     : Tx: 2        Rx: 1
  AddLinkAck Messages  : Tx: 1        Rx: 1
  AddLinkRej Messages  : Tx: 0        Rx: 0
1/1/1.1.3.1          PortId = 0x22208098
  Internal ID          : bundle 1, link 4
  Link protocol state  : Up
  Diff delay state     : OK
  Smoothed diff delay  : 0 ms.
  Historical RTT        : 2218, 2223, 2359 us.
  Rx LinkId            : "1/1/1.1.3.1"
  LIP CTL Messages     : Tx: 14       Rx: 13
  Hello Messages       : Tx: 8        Rx: 1
  Hello Ack Messages   : Tx: 1        Rx: 8
  AddLink Messages     : Tx: 3        Rx: 1
  AddLinkAck Messages  : Tx: 1        Rx: 2
  AddLinkRej Messages  : Tx: 0        Rx: 0
1/1/1.1.4.1          PortId = 0x222080b9
  Internal ID          : bundle 1, link 3
  Link protocol state  : Up
  Diff delay state     : OK
  Smoothed diff delay  : 0 ms.
  Historical RTT        : 2248, 2242, 2309 us.
  Rx LinkId            : "1/1/1.1.4.1"
  LIP CTL Messages     : Tx: 14       Rx: 13
  Hello Messages       : Tx: 8        Rx: 1
  Hello Ack Messages   : Tx: 1        Rx: 8
  AddLink Messages     : Tx: 3        Rx: 1
  AddLinkAck Messages  : Tx: 1        Rx: 2
  AddLinkRej Messages  : Tx: 0        Rx: 0
```

lag

Syntax `lag lag-id lag-id`

Context `tools>dump`

Description This command dumps LAG information.

Parameters *lag-id* — Specifies the LAG ID.

Values 1..200

map-to-phy-port

Syntax **map-to-phy-port** {**ccag** *ccag-id* | **lag** *lag-id* | **eth-tunnel** *tunnel-index*} {**isid** *isid* [**end-isid** *isid*] | **service** *service-id* | *svc-name* [**end-service** *service-id* | *svc-name*]} [**summary**]

Context tools>dump

Description This command provides the ability to respond to a query to provide the link in a LAG/Ethernet tunnel (loadsharing protection mode)/CCAG that is currently assigned to a given service-id or ISID.

Parameters *lag-id* — Specifies the LAG ID.

Values 1..200

isid — Specifies the ISID.

Values 0..16777215

service-id — Specifies the service ID.

Values 1..2147483648, 64 char max

tunnel-index — Specifies the tunnel index.

Values 1..1024

ccag-id — Specifies the CCAG ID.

Values 1..8

ppp

Syntax **ppp** *port-id*

Context tools>dump

Description This command displays PPP information for a port.

Parameters *port-id* — Specifies the physical port ID.

Syntax: *slot/mda/port[.channel]*

Sample Output

```
*A:sr7# tools dump ppp aps-1.1.1.1
=====
Id           : aps-1.1.1.1      ppp unit      : 40
member of    : bpgrp-ppp-1
=====
looped back  : no              dbgMask       : 0x0
```

Monitor Commands

```
-----  
LCP  
-----  
phase          : NETWORK          state          : OPENED  
passive        : off              silent         : off  
restart        : on  
  
mru            : 1500             mtu            : 1502  
ack'd peer mru : 1500  
got local mrru : 1524  
local magic    : 0x0             peer magic     : 0x0  
  
keepalive      : on              echo num       : 2  
echo timer     : on              echos fail     : 3  
echo intv      : 10             echos pend     : 0  
  
options mru      asyncMap upap    chap    magic    pfc  
we negotiate Yes No      No      No      No      No      Yes  
peer ack'd Yes No      No      No      No      No      No  
we allow Yes No      No      No      No      No      Yes  
we ack'd Yes No      No      No      No      No      No  
  
options acfc    lqr      mrru    shortSeq endPoint mlhdrfmt  
we negotiate Yes No      Yes     No      Yes     No  
peer ack'd No No      Yes     No      Yes     No  
we allow Yes No      Yes     Yes     Yes     No  
we ack'd No No      Yes     No      Yes     No  
=====
```

```
*A:sr7#
```

redundancy

Syntax redundancy

Context tools>dump

Description This command enables the context to dump redundancy parameters.

multi-chassis

Syntax multi-chassis

Context tools>dump>redundancy

Description This command enables the context to dump multi-chassis parameters.

mc-ring

Syntax mc-ring

Context tools>dump>redundancy>multi-chassis

Description This command dumps multi-chassis ring data.

sync-database

Syntax `sync-database [peer ip-address] [port port-id | lag-id] [sync-tag sync-tag] [application {dhcps | igmp | igmp-snooping | srrp | sub-mgmt | mld-snooping | mc-ring}] [detail] [type {alarm-deleted | local-deleted}]`

Context tools>dump>redundancy>multi-chassis

Description This command dumps multi-chassis sync database information.

Parameters **peer** *ip-address* — Dumps the specified address of the multi-chassis peer.

port *port-id* — Dumps the specified port ID of the multi-chassis peer.

port *lag-id* — Dumps the specified Link Aggregation Group (LAG) on this system.

sync-tag *sync-tag* — Dumps the synchronization tag used while synchronizing this port with the multi-chassis peer.

application — Dumps the specified application information that was synchronized with the multi-chassis peer.

Values dhcps, igmp, igmp-snooping, mc-ring, srrp, sub-mgmt, mld-snooping, all

detail — Displays detailed information.

alarm-deleted/*local-deleted* — Filters by entry type.

srrp-sync-data

Syntax `srrp-sync-database [instance instance-id] [peer ip-address]`

Context tools>dump>redundancy>multi-chassis

Description This command dumps multi-chassis SRRP sync database information.

Parameters *instance-id* — Specifies the instance ID.

Values 1 — 4294967295

ip-address — Dumps the specified address (in the form of a.b.c.d).

ima

Syntax `ima`

Context tools>perform

Description This command allows the use of IMA operations.

Monitor Commands

reset

Syntax `reset bundle-id`

Context `tools>perform>ima`

Description This command sets an IMA-bundle to the Start Up state.

Parameters *bundle-id* — Specifies an existing bundle ID.

Values `bundle-ima-slot/mda.bundle-num`

bundle-num — Specifies the bundle number.

Values 1 — 256

Debug Commands

lag

Syntax **lag** [**lag-id** *lag-id* [**port** *port-id*]] [**all**]
lag [**lag-id** *lag-id* [**port** *port-id*]] [**sm**] [**pkt**] [**cfg**] [**red**] [**iom-upd**] [**port-state**] [**timers**] [**sel-logic**]
 [**mc**] [**mc-pkt**]
no lag [**lag-id** *lag-id*]

Context debug

Description This command enables debugging for LAG.

Parameters *lag-id* — Specifies the link aggregation group ID.

port-id — Specifies the physical port ID.

Syntax: *slot/mda/port[.channel]*

sm — Specifies to display trace LACP state machine.

pkt — Specifies to display trace LACP packets.

cfg — Specifies to display trace LAG configuration.

red — Specifies to display trace LAG high availability.

iom-upd — Specifies to display trace LAG IOM updates.

port-state — Specifies to display trace LAG port state transitions.

timers — Specifies to display trace LAG timers.

sel-logic — Specifies to display trace LACP selection logic.

mc — Specifies to display multi-chassis parameters.

mc-packet — Specifies to display the MC-LAG control packets with valid authentication were received on this system.

ilmi

[**no**] **ilmi** *port-id*

Context debug>atm

Description This command enables debugging for ATM ILMI.

The **no** form of the command turns off ILMI and debugging,.

Monitor Commands

Parameters *port-id* — Specifies the ILMI-supporting port ID.

Values *slot/mda/port[.channel]*

Sample Output

```
A:CHRISILMI# debug atm ilmi 1/3/4
```

```
In kernel:
```

```
ILMI_DEBUG_LOG {557907970}: 21:32:28
```

```
PDU DUMP (RAW):
```

```
30 77 02 01 00 04 04 49 4c 4d 49 a4
6c 06 07 2b 06 01 04 01 82 61 40 04
00 00 00 00 02 01 06 02 01 02 43 03
1b 24 b1 30 50 30 12 06 0d 2b 06 01
04 01 82 61 02 05 01 01 01 00 02 01
00 30 12 06 0d 2b 06 01 04 01 82 61
02 05 01 01 03 00 02 01 21 30 12 06
0d 2b 06 01 04 01 82 61 02 05 01 01
02 00 02 01 00 30 12 06 0d 2b 06 01
04 01 82 61 02 05 01 01 04 00 02 01
```

```
00 00 00
```

```
PDU DUMP (DECODED):
```

```
  PDU Length: 123
```

```
  Community: ILMI
```

```
  Version: 1
```

```
  Msg Type: SNMP TRAP
```

```
  ObjectId: 1.3.6.1.4.1.353.2.5.1.1.1.0
```

```
  ObjectId: 1.3.6.1.4.1.353.2.5.1.1.3.0
```

```
  ObjectId: 1.3.6.1.4.1.353.2.5.1.1.2.0
```

```
  ObjectId: 1.3.6.1.4.1.353.2.5.1.1.4.0
```

```
...
```

cisco-hdlc

Syntax **cisco-hdlc** [*port-id*]
no cisco-hdlc

Context debug

Description This command configures debugging for Cisco-HDLC encapsulation.

Parameters *port-id* — Specifies the physical port ID.

Syntax: *slot/mda/port[.channel]*

ppp

Syntax [**no**] **ppp** *port-id*

Context debug

Description This command enables/disables and configures debugging for PPP.

Parameters *port-id* — Specifies the physical port ID

Syntax: *port-id* slot/mda/port[.channel]

 aps-id *aps-group-id*[.channel]
 aps keyword
 group-id 1 — 16
 bundle ID*bundle-type-slot/mda.bundle-num*
 bpgrp-type-*bpgrp-num*
 bundle keyword
 bundle-num 1 — 16
 type ppp

Standards and Protocol Support

Standards Compliance

IEEE 802.1ab-REV/D3 Station and Media Access Control Connectivity Discovery
IEEE 802.1d Bridging
IEEE 802.1p/Q VLAN Tagging
IEEE 802.1s Multiple Spanning Tree
IEEE 802.1w Rapid Spanning Tree Protocol
IEEE 802.1x Port Based Network Access Control
IEEE 802.1ad Provider Bridges
IEEE 802.1ah Provider Backbone Bridges
IEEE 802.1ag Service Layer OAM
IEEE 802.3ah Ethernet in the First Mile
IEEE 802.1ak Multiple MAC Registration Protocol
IEEE 802.3 10BaseT
IEEE 802.3ad Link Aggregation
IEEE 802.3ae 10Gbps Ethernet
IEEE 802.3ah Ethernet OAM
IEEE 802.3u 100BaseTX
IEEE 802.3x Flow Control
IEEE 802.3z 1000BaseSX/LX
ITU-T Y.1731 OAM functions and mechanisms for Ethernet based networks
ITU-T G.8031 Ethernet linear protection switching
ITU-T G.8032 Ethernet Ring Protection Switching (version 2)

Protocol Support

OSPF

RFC 1765 OSPF Database Overflow
RFC 2328 OSPF Version 2
RFC 2370 Opaque LSA Support
RFC 2740 OSPF for IPv6 (OSPFv3)
draft-ietf-ospf-ospfv3-update-14.txt
RFC 3101 OSPF NSSA Option
RFC 3137 OSPF Stub Router Advertisement

RFC 3623 Graceful OSPF Restart – GR helper
RFC 3630 Traffic Engineering (TE) Extensions to OSPF Version 2
RFC 4203 - Shared Risk Link Group (SRLG) sub-TLV
RFC 5185 OSPF Multi-Area Adjacency
RFC 3623 Graceful OSPF Restart — GR helper
RFC 3630 Traffic Engineering (TE) Extensions to OSPF Version 2
RFC 4203 for Shared Risk Link Group (SRLG) sub-TLV

BGP

RFC 1397 BGP Default Route Advertisement
RFC 1772 Application of BGP in the Internet
RFC 1965 Confederations for BGP
RFC 1997 BGP Communities Attribute
RFC 2385 Protection of BGP Sessions via MD5
RFC 2439 BGP Route Flap Dampening
RFC 2547bis BGP/MPLS VPNs
RFC 2918 Route Refresh Capability for BGP-4
RFC 3107 Carrying Label Information in BGP-4
RFC 3392 Capabilities Advertisement with BGP4
RFC 4271 BGP-4 (previously RFC 1771)
RFC 4360 BGP Extended Communities Attribute
RFC 4364 BGP/MPLS IP Virtual Private Networks (VPNs) (previously RFC 2547bis BGP/MPLS VPNs)
RFC 4456 BGP Route Reflection: Alternative to Full-mesh IBGP (previously RFC 1966 & 2796)
RFC 4486 Subcodes for BGP Cease Notification Message
RFC 4577 OSPF as the Provider/Customer Edge Protocol for BGP/MPLS IP Virtual Private Networks (VPNs)

RFC 4659 BGP/MPLS IP Virtual Private Network (VPN) Extension for IPv6 VPN
RFC 4684 Constrained Route Distribution for Border Gateway Protocol/MultiProtocol Label Switching (BGP/MPLS) Internet Protocol (IP) Virtual Private Networks (VPNs)
RFC 4724 Graceful Restart Mechanism for BGP – GR helper
RFC 4760 Multi-protocol Extensions for BGP
RFC 4798 Connecting IPv6 Islands over IPv4 MPLS Using IPv6 Provider Edge Routers (6PE)
RFC 4893 BGP Support for Four-octet AS Number Space
RFC 5004 Avoid BGP Best Path Transitions from One External to Another
RFC 5065 Confederations for BGP (obsoletes 3065)
RFC 5291 Outbound Route Filtering Capability for BGP-4
RFC 5575 Dissemination of Flow Specification Rules
RFC 5668 4-Octet AS Specific BGP Extended Community
draft-ietf-idr-add-paths
draft-ietf-idr-best-external

IS-IS

RFC 1142 OSI IS-IS Intra-domain Routing Protocol (ISO 10589)
RFC 1195 Use of OSI IS-IS for routing in TCP/IP & dual environments
RFC 2763 Dynamic Hostname Exchange for IS-IS
RFC 2966 Domain-wide Prefix Distribution with Two-Level IS-IS
RFC 2973 IS-IS Mesh Groups
RFC 3373 Three-Way Handshake for Intermediate System to Intermediate System (IS-IS) Point-to-Point Adjacencies

Standards and Protocols

RFC 3567 Intermediate System to Intermediate System (ISIS) Cryptographic Authentication
RFC 3719 Recommendations for Interoperable Networks using IS-IS
RFC 3784 Intermediate System to Intermediate System (IS-IS) Extensions for Traffic Engineering (TE)
RFC 3787 Recommendations for Interoperable IP Networks
RFC 3847 Restart Signaling for IS-IS – GR helper
RFC 4205 for Shared Risk Link Group (SRLG) TLV
draft-ietf-isis-igp-p2p-over-lan-05.txt

IPSec

RFC 2401 Security Architecture for the Internet Protocol
RFC 2409 The Internet Key Exchange (IKE)
RFC 3706 IKE Dead Peer Detection
RFC 3947 Negotiation of NAT-Traversal in the IKE
RFC 3948 UDP Encapsulation of IPsec ESP Packets
draft-ietf-ipsec-isakmp-xauth-06.txt – Extended Authentication within ISAKMP/Oakley (XAUTH)
draft-ietf-ipsec-isakmp-modecfg-05.txt – The ISAKMP Configuration Method

IPv6

RFC 1981 Path MTU Discovery for IPv6
RFC 2375 IPv6 Multicast Address Assignments
RFC 2460 Internet Protocol, Version 6 (IPv6) Specification
RFC 2461 Neighbor Discovery for IPv6
RFC 2462 IPv6 Stateless Address Auto configuration
RFC 2463 Internet Control Message Protocol (ICMPv6) for the Internet Protocol Version 6 Specification
RFC 2464 Transmission of IPv6 Packets over Ethernet Networks
RFC 2529 Transmission of IPv6 over IPv4 Domains without Explicit Tunnels

RFC 2545 Use of BGP-4 Multiprotocol Extension for IPv6 Inter-Domain Routing
RFC 2710 Multicast Listener Discovery (MLD) for IPv6
RFC 2740 OSPF for IPv6
RFC 3306 Unicast-Prefix-based IPv6 Multicast Addresses
RFC 3315 Dynamic Host Configuration Protocol for IPv6
RFC 3587 IPv6 Global Unicast Address Format
RFC3590 Source Address Selection for the Multicast Listener Discovery (MLD) Protocol
RFC 3810 Multicast Listener Discovery Version 2 (MLDv2) for IPv6
RFC 4007 IPv6 Scoped Address Architecture
RFC 4193 Unique Local IPv6 Unicast Addresses
RFC 4291 IPv6 Addressing Architecture
RFC 4552 Authentication/Confidentiality for OSPFv3
RFC 4659 BGP-MPLS IP Virtual Private Network (VPN) Extension for IPv6 VPN
RFC 5072 IP Version 6 over PPP
RFC 5095 Deprecation of Type 0 Routing Headers in IPv6
draft-ietf-isis-ipv6-05
draft-ietf-isis-wg-multi-topology-xx.txt

Multicast

RFC 1112 Host Extensions for IP Multicasting (Snooping)
RFC 2236 Internet Group Management Protocol, (Snooping)
RFC 3376 Internet Group Management Protocol, Version 3 (Snooping)
RFC 2362 Protocol Independent Multicast-Sparse Mode (PIMSM)
RFC 3618 Multicast Source Discovery Protocol (MSDP)
RFC 3446 Anycast Rendezvous Point (RP) mechanism using Protocol Independent Multicast (PIM) and Multicast Source Discovery Protocol (MSDP)
RFC 4601 Protocol Independent Multicast - Sparse Mode (PIM-SM): Protocol Specification (Revised)

RFC 4604 Using IGMPv3 and MLDv2 for Source-Specific Multicast
RFC 4607 Source-Specific Multicast for IP
RFC 4608 Source-Specific Protocol Independent Multicast in 232/8
RFC 4610 Anycast-RP Using Protocol Independent Multicast (PIM)
RFC 5186, Internet Group Management Protocol Version 3 (IGMPv3)/ Multicast Listener Discovery Version 2 (MLDv2) and Multicast Routing Protocol Interaction
draft-ietf-pim-sm-bsr-06.txt
draft-rosen-vpn-mcast-15.txt Multicast in MPLS/BGP IP VPNs
draft-ietf-mboned-msdp-mib-01.txt
draft-ietf-l3vpn-2547bis-mcast-07: Multicast in MPLS/BGP IP VPNs
draft-ietf-l3vpn-2547bis-mcast-bgp-05: BGP Encodings and Procedures for Multicast in MPLS/BGP IP VPNs
RFC 3956: Embedding the Rendezvous Point (RP) Address in an IPv6 Multicast Address

MPLS — General

RFC 2430 A Provider Architecture DiffServ & TE
RFC 2474 Definition of the DS Field the IPv4 and IPv6 Headers (Rev)
RFC 2597 Assured Forwarding PHB Group (rev3260)
RFC 2598 An Expedited Forwarding PHB
RFC 3031 MPLS Architecture
RFC 3032 MPLS Label Stack Encoding
RFC 3443 Time To Live (TTL) Processing in Multi-Protocol Label Switching (MPLS) Networks
RFC 4182 Removing a Restriction on the use of MPLS Explicit NULL
RFC 3140 Per-Hop Behavior Identification Codes
RFC 4905, Encapsulation methods for transport of layer 2 frames over MPLS
RFC 5332 MPLS Multicast Encapsulations

MPLS — LDP

RFC 3037 LDP Applicability

RFC 3478 Graceful Restart Mechanism for LDP – GR helper
 RFC 5036 LDP Specification
 RFC 5283 LDP extension for Inter-Area LSP
 RFC 5443 LDP IGP Synchronization
 draft-ietf-mpls-ldp-p2mp-05 LDP Extensions for Point-to-Multipoint and Multipoint-to-Multipoint LSP
 draft-ietf-mpls-mldp-in-band-signaling-05 Multipoint LDP in-band signaling for Point-to-Multipoint and Multipoint-to-Multipoint Label Switched Paths

MPLS/RSVP-TE

RFC 2702 Requirements for Traffic Engineering over MPLS
 RFC2747 RSVP Cryptographic Authentication
 RFC3097 RSVP Cryptographic Authentication
 RFC 3209 Extensions to RSVP for Tunnels
 RFC 3564 Requirements for Diff-Serv-aware TE
 RFC 3906 Calculating Interior Gateway Protocol (IGP) Routes Over Traffic Engineering Tunnels
 RFC 4090 Fast reroute Extensions to RSVP-TE for LSP Tunnels
 RFC 4124 Protocol Extensions for Support of Diffserv-aware MPLS Traffic Engineering
 RFC 4125 Maximum Allocation Bandwidth Constraints Model for Diffserv-aware MPLS Traffic Engineering
 RFC 4127 Russian Dolls Bandwidth Constraints Model for Diffserv-aware MPLS Traffic Engineering
 RFC 4561 Definition of a RRO Node-Id Sub-Object
 RFC 4875 Extensions to Resource Reservation Protocol - Traffic Engineering (RSVP-TE) for Point-to-Multipoint TE Label Switched Paths (LSPs)
 RFC 5151 Inter-domain MPLS and GMPLS Traffic Engineering – RSVP-TE Extensions
 RFC 5712 MPLS Traffic Engineering Soft Preemption

draft-newton-mpls-te-dynamic-overbooking-00 A Diffserv-TE Implementation Model to dynamically change booking factors during failure events
 RFC 5817 Graceful Shutdown in GMPLS Traffic Engineering Networks

MPLS — OAM

RFC 4379 Detecting Multi-Protocol Label Switched (MPLS) Data Plane Failures
 draft-ietf-mpls-p2mp-lsp-ping-06 Detecting Data Plane Failures in Point-to-Multipoint Multiprotocol Label Switching (MPLS) - Extensions to LSP Ping

RIP

RFC 1058 RIP Version 1
 RFC 2082 RIP-2 MD5 Authentication
 RFC 2453 RIP Version 2

TCP/IP

RFC 768 UDP
 RFC 1350 The TFTP Protocol (Rev.
 RFC 791 IP
 RFC 792 ICMP
 RFC 793 TCP
 RFC 826 ARP
 RFC 854 Telnet
 RFC 951 BootP (rev)
 RFC 1519 CIDR
 RFC 1542 Clarifications and Extensions for the Bootstrap Protocol
 RFC 1812 Requirements for IPv4 Routers
 RFC 2347 TFTP option Extension
 RFC 2328 TFTP Blocksize Option
 RFC 2349 TFTP Timeout Interval and Transfer Size option
 RFC 2401 Security Architecture for Internet Protocol
 RFC 2428 FTP Extensions for IPv6 and NATs
 RFC 3596 DNS Extensions to Support IP version 6
 draft-ietf-bfd-mib-00.txtBidirectional Forwarding Detection Management Information Base
 RFC 5880 Bidirectional Forwarding Detection

RFC 5881 BFD IPv4 and IPv6 (Single Hop)
 RFC 5883 BFD for Multihop Paths

VRRP

RFC 2787 Definitions of Managed Objects for the Virtual Router Redundancy Protocol
 RFC 3768 Virtual Router Redundancy Protocol
 RFC 5798, Virtual Router Redundancy Protocol Version 3 for IPv4 and IPv6

PPP

RFC 1332 PPP IPCP
 RFC 1377 PPP OSINLCP
 RFC 1638/2878PPP BCP
 RFC 1661 PPP (rev RFC2151)
 RFC 1662 PPP in HDLC-like Framing
 RFC 1877 PPP Internet Protocol Control Protocol Extensions for Name Server Addresses
 RFC 1989 PPP Link Quality Monitoring
 RFC 1990 The PPP Multilink Protocol (MP)
 RFC 1994 PPP Challenge Handshake Authentication Protocol (CHAP)
 RFC 2615 PPP over SONET/SDH
 RFC 2516 A Method for Transmitting PPP Over Ethernet
 RFC 2686 The Multi-Class Extension to Multi-Link PPP

Frame Relay

FRF.1.2 - PVC User-to-Network Interface (UNI) Implementation Agreement
 FRF.5 - Frame Relay/ATM PVC Network Interworking Implementation
 ANSI T1.617 Annex D, DSS1 — Signalling Specification For Frame Relay Bearer Service.
 FRF2.2 -PVC Network-to- Network Interface (NNI) Implementation Agreement.
 FRF.12 Frame Relay Fragmentation Implementation Agreement
 FRF.16.1 Multilink Frame Relay UNI/ NNI Implementation Agreement
 ITU-T Q.933 Annex A- Additional procedures for Permanent Virtual Connection (PVC) status management

Standards and Protocols

ATM

- RFC 1626 Default IP MTU for use over ATM AAL5
- RFC 2514 Definitions of Textual Conventions and OBJECT_IDENTITIES for ATM Management
- RFC 2515 Definition of Managed Objects for ATM Management RFC 2684 Multiprotocol Encapsulation over ATM Adaptation Layer 5
- AF-TM-0121.000 Traffic Management Specification Version 4.1
- ITU-T Recommendation I.610 - B-ISDN Operation and Maintenance Principles and Functions version 11/95
- ITU-T Recommendation I.432.1 – BISDN user-network interface – Physical layer specification: General characteristics
- GR-1248-CORE - Generic Requirements for Operations of ATM Network Elements (NEs). Issue 3
- GR-1113-CORE - Bellcore, Asynchronous Transfer Mode (ATM) and ATM Adaptation Layer (AAL) Protocols Generic Requirements, Issue 1
- AF-ILMI-0065.000 Integrated Local Management Interface (ILMI) Version 4.0
- AF-TM-0150.00 Addendum to Traffic Management v4.1 optional minimum desired cell rate indication for UBR
- AF-PHY-0086.001, Inverse Multiplexing for ATM (IMA) Specification Version 1.1

DHCP

- RFC 2131 Dynamic Host Configuration Protocol (REV)
- RFC 3046 DHCP Relay Agent Information Option (Option 82)
- RFC 1534 Interoperation between DHCP and BOOTP

VPLS

- RFC 4762 Virtual Private LAN Services Using LDP
- RFC5501: Requirements for Multicast Support in Virtual Private LAN

- Services (previously draft-ietf-l2vpn-vpls-mcast-reqts-04)
- draft-ietf-l2vpn-vpls-mcast-reqts-04
- draft-ietf-l2vpn-signaling-08

PSEUDOWIRE

- RFC 3985 Pseudo Wire Emulation Edge-to-Edge (PWE3)
- RFC 4385 Pseudo Wire Emulation Edge-to-Edge (PWE3) Control Word for Use over an MPLS PSN
- RFC 3916 Requirements for Pseudo-Wire Emulation Edge-to-Edge (PWE3)
- RFC 4717 Encapsulation Methods for Transport ATM over MPLS Networks (draft-ietf-pwe3-atm-encap-10.txt)
- RFC 4816 PWE3 ATM Transparent Cell Transport Service (draft-ietf-pwe3-cell-transport-04.txt)
- RFC 4448 Encapsulation Methods for Transport of Ethernet over MPLS Networks (draft-ietf-pwe3-ethernet-encap-11.txt)
- RFC 4619 Encapsulation Methods for Transport of Frame Relay over MPLS Networks (draft-ietf-pwe3-frame-relay-07.txt)
- RFC 4446 IANA Allocations for PWE3
- RFC 4447 Pseudowire Setup and Maintenance Using LDP (draft-ietf-pwe3-control-protocol-17.txt)
- RFC 5085, Pseudowire Virtual Circuit Connectivity Verification (VCCV): A Control Channel for Pseudowires
- RFC 5659 An Architecture for Multi-Segment Pseudowire Emulation Edge-to-Edge
- draft-ietf-l2vpn-vpws-iw-oam-02.txt, OAM Procedures for VPWS Interworking
- RFC6310, Pseudowire (PW) OAM Message Mapping
- draft-ietf-l2vpn-arp-mediation-19.txt, ARP Mediation for IP Interworking of Layer 2 VPN
- RFC6073, Segmented Pseudowire (draft-ietf-pwe3-segmented-pw-18.txt)
- draft-ietf-pwe3-dynamic-ms-pw-14.txt, Dynamic Placement of Multi Segment Pseudo Wires

- draft-ietf-pwe3-redundancy-bit-06.txt, Pseudowire Preferential Forwarding Status bit definition
- draft-ietf-pwe3-redundancy-06.txt, Pseudowire (PW) Redundancy
- RFC6391 Flow Aware Transport of Pseudowires over an MPLS PSN
- MFA Forum 9.0.0 The Use of Virtual trunks for ATM/MPLS Control Plane Interworking
- MFA Forum 12.0.0 Multiservice Interworking - Ethernet over MPLS
- MFA forum 13.0.0 - Fault Management for Multiservice Interworking v1.0
- MFA Forum 16.0.0 – Multiservice Interworking - IP over MPLS

ANCP/L2CP

- RFC5851 ANCP framework
- draft-ietf-ancp-protocol-02.txt ANCP Protocol

Voice /Video Performance

- ITU-T G.107 The E Model- A computational model for use in planning.
- ETSI TS 101 329-5 Annex E extensions- QoS Measurement for VoIP - Method for determining an Equipment Impairment Factor using Passive Monitoring
- ITU-T Rec. P.564 - Conformance testing for voice over IP transmission quality assessment models
- ITU-T G.1020 - Appendix I - Performance Parameter Definitions for Quality of Speech and other Voiceband Applications Utilizing IP Networks- Mean Absolute Packet Delay Variation.& Markov Models.
- RFC 3550 Appendix A.8- RTP: A Transport Protocol for Real-Time Applications- Estimating the Interarrival Jitter

CIRCUIT EMULATION

- RFC 4553 Structure-Agnostic Time Division Multiplexing (TDM) over Packet (SAToP)
- RFC 5086 Structure-Aware Time Division Multiplexed (TDM) Circuit Emulation Service over Packet Switched Network (CESoPSN)

MEF-8 Implementation Agreement for the Emulation of PDH Circuits over Metro Ethernet Networks, October 2004

RFC 5287 Control Protocol Extensions for the Setup of Time-Division Multiplexing (TDM) Pseudowires in MPLS Networks

SONET/SDH

ITU-G.841 Telecommunication Standardization Section of ITU, Types and Characteristics of SDH Networks Protection Architecture, issued in October 1998 and as augmented by Corrigendum1 issued in July 2002

RADIUS

RFC 2865 Remote Authentication Dial In User Service

RFC 2866 RADIUS Accounting

SSH

RFC 4250 The Secure Shell (SSH) Protocol

draft-ietf-secsh-architecture.txt SSH Protocol Architecture

draft-ietf-secsh-userauth.txt SSH Authentication Protocol

draft-ietf-secsh-transport.txt SSH Transport Layer Protocol

draft-ietf-secsh-connection.txt SSH Connection Protocol

draft-ietf-secsh-newmodes.txt SSH Transport Layer Encryption Modes

TACACS+

draft-grant-tacacs-02.txt

Timing

GR-253-CORE SONET Transport Systems: Common Generic Criteria. Issue 3, September 2000

ITU-T G.781 Telecommunication Standardization Section of ITU, Synchronization layer functions, issued 09/2008

ITU-T G.813 Telecommunication Standardization Section of ITU, Timing characteristics of SDH equipment slave clocks (SEC), issued 03/2003.

GR-1244-CORE Clocks for the Synchronized Network: Common Generic Criteria, Issue 3, May 2005

ITU-T G.8261 Telecommunication Standardization Section of ITU, Timing and synchronization aspects in packet networks, issued 04/2008.

ITU-T G.8262 Telecommunication Standardization Section of ITU, Timing characteristics of synchronous Ethernet equipment slave clock (EEC), issued 08/2007.

ITU-T G.8264 Telecommunication Standardization Section of ITU, Distribution of timing information through packet networks, issued 10/2008.

NETWORK MANAGEMENT

ITU-T X.721: Information technology-OSI-Structure of Management Information

ITU-T X.734: Information technology-OSI-Systems Management: Event Report Management Function

M.3100/3120 Equipment and Connection Models

TMF 509/613 Network Connectivity Model

RFC 1157 SNMPv1

RFC 1215 A Convention for Defining Traps for use with the SNMP

RFC 1657 BGP4-MIB

RFC 1724 RIPv2-MIB

RFC 1850 OSPF-MIB

RFC 1907 SNMPv2-MIB

RFC 2011 IP-MIB

RFC 2012 TCP-MIB

RFC 2013 UDP-MIB

RFC 2138 RADIUS

RFC 2206 RSVP-MIB

RFC 2452 IPv6 Management Information Base for the Transmission Control Protocol

RFC 2454 IPv6 Management Information Base for the User Datagram Protocol

RFC 2465 Management Information Base for IPv6: Textual Conventions and General Group

RFC 2558 SONET-MIB

RFC 2571 SNMP-Framework MIB

RFC 2572 SNMP-MPD-MIB

RFC 2573 SNMP-Target-&-notification-MIB

RFC 2574 SNMP-User-based-SMMIB

RFC 2575 SNMP-View-based ACM-MIB

RFC 2576 SNMP-Community-MIB

RFC 2665 EtherLike-MIB

RFC 2819 RMON-MIB

RFC 2863 IF-MIB

RFC 2864 Inverted-stack-MIB

RFC 2987 VRRP-MIB

RFC 3014 Notification-log MIB

RFC 3019 IP Version 6 Management Information Base for The Multicast Listener Discovery Protocol

RFC 3164 Syslog

RFC 3273 HCRMON-MIB

RFC 3411 An Architecture for Describing Simple Network Management Protocol (SNMP) Management Frameworks

RFC 3412 Message Processing and Dispatching for the Simple Network Management Protocol (SNMP)

RFC 3413 Simple Network Management Protocol (SNMP) Applications

RFC 3414 User-based Security Model (USM) for version 3 of the Simple Network Management Protocol (SNMPv3)

RFC 3418 SNMP MIB

RFC 4292 IP-Forward-MIB

RFC 4293 MIB for the Internet Protocol

RFC 5101 Specification of the IP Flow Information Export (IPFIX) Protocol for the Exchange of IP Traffic Flow Information

draft-ietf-ospf-mib-update-04.txt

draft-ietf-mpls-lsr-mib-06.txt

draft-ietf-mpls-te-mib-04.txt

draft-ietf-mpls-ldp-mib-07.txt

draft-ietf-isis-wg-mib-05.txt

IANA-IFType-MIB

IEEE8023-LAG-MIB

Proprietary MIBs

TIMETRA-APS-MIB.mib

TIMETRA-ATM-MIB.mib

TIMETRA-BGP-MIB.mib

TIMETRA-BSX-NG-MIB.mib

TIMETRA-CAPABILITY-7750-V4v0.mib

Standards and Protocols

TIMETRA-CFLOWD-MIB.mib
TIMETRA-CHASSIS-MIB.mib
TIMETRA-CLEAR-MIB.mib
TIMETRA-FILTER-MIB.mib
TIMETRA-GLOBAL-MIB.mib
TIMETRA-IGMP-MIB.mib
TIMETRA-ISIS-MIB.mib
TIMETRA-LAG-MIB.mib
TIMETRA-LDP-MIB.mib
TIMETRA-LOG-MIB.mib
TIMETRA-MIRROR-MIB.mib
TIMETRA-MPLS-MIB.mib
TIMETRA-NG-BGP-MIB.mib
TIMETRA-OAM-TEST-MIB.mib
TIMETRA-OSPF-NG-MIB.mib
TIMETRA-OSPF-V3-MIB.mib
TIMETRA-PIM-NG-MIB.mib
TIMETRA-PORT-MIB.mib
TIMETRA-PPP-MIB.mib
TIMETRA-QOS-MIB.mib
TIMETRA-RIP-MIB.mib
TIMETRA-ROUTE-POLICY-MIB.mib
TIMETRA-RSVP-MIB.mib
TIMETRA-SECURITY-MIB.mib
TIMETRA-SERV-MIB.mib
TIMETRA-SUBSCRIBER-
MGMTMIB.mib
TIMETRA-SYSTEM-MIB.mib
TIMETRA-TC-MIB.mib
TIMETRA-VRRP-MIB.mib
TIMETRA-VRTR-MIB.mib

INDEX

NUMERICS

- 802.1x** 113
- 802.3ah OAM** 119

A

- APS** 61
- Automatic Protection Switching** 61

C

- Card, MDA, Port**
 - overview 19
 - chassis slots and cards 19
 - MDAs 20, 122
 - preprovisioning
 - chassis slots and cards 19
 - configuring
 - basic 133
 - LAG 168
 - management tasks 169
 - MDA pool parameters 137
 - port
 - channelized ports 162
 - Ethernet 141
 - access port 142
 - network port 141
 - pool parameters 139
 - SONET/SDH 143
 - access port 145
 - network port 144
 - command reference
 - card commands 176
 - MDA commands 176
 - port commands 178
 - SONET/SDH commands 188
 - TDM commands 190
 - ports 138
 - channelized MDAs** 25
 - Cisco HDLC** 58
 - CMAAs** 22

D

- DDM** 28

E

- E-LMI** 88

H

- hashing** 97

L

- LAG** 94
 - overview
 - guidelines 96
 - port link damping 102
 - configuring 168
 - command reference 197
 - hashing 97

M

- MC-MLPPP** 51
- MLPPP** 46
- multi-chassis LAG** 104

O

- oversubscribed MDAs** 23

P

- port types** 35
- ports**
 - 35
 - features 37
 - types 35
- preprovisioning guidelines** 130

S

- soft IOM reset** 172
- SRRP** 109

