



7210 SAS E OS Basic System Configuration Guide

Software Version: 7210 SAS-E OS 2.0 Rev. 05
November 2010
Document Part Number: 93-0219-03-05



This document is protected by copyright. Except as specifically permitted herein, no portion of the provided information can be reproduced in any form, or by any means, without prior written permission from Alcatel-Lucent.
Alcatel, Lucent, Alcatel-Lucent and the Alcatel-Lucent logo are trademarks of Alcatel-Lucent. All other trademarks are the property of their respective owners.
The information presented is subject to change without notice.
Alcatel-Lucent assumes no responsibility for inaccuracies contained herein.

Copyright 2010 Alcatel-Lucent. All rights reserved.

TABLE OF CONTENTS

Preface	11
Getting Started	
Alcatel-Lucent 7210 SAS-Series System Configuration Process	15
CLI Usage	
CLI Structure	18
Navigating in the CLI	20
CLI Contexts	20
Basic CLI Commands	22
CLI Environment Commands	25
CLI Monitor Commands	26
Getting Help in the CLI	27
The CLI Command Prompt	29
Displaying Configuration Contexts	30
EXEC Files	33
Entering CLI Commands	34
Command Completion	34
Unordered Parameters	34
Editing Keystrokes	35
Absolute Paths	36
History	38
Entering Numerical Ranges	39
Pipe/Match	41
Redirection	44
Basic Command Reference	45
File System Management	
The File System	78
Compact Flash Devices	78
URLs	79
Wildcards	80
File Management Tasks	81
Modifying File Attributes	81
Creating Directories	82
Copying Files	83
Moving Files	84
Removing Files and Deleting Directories	84
Displaying Directory and File Information	85
File Command Reference	87
Boot Options	
System Initialization	96
Manual Mode	99
Auto Init	100

Table of Contents

Out-of-band (OOB) Ethernet Management Port	101
Configuration and Image Loading	102
Ping Check	105
Persistence	106
Initial System Startup Process Flow	107
Configuration Notes	108
Configuring Boot File Options with CLI	109
BOF Configuration Overview	110
Basic BOF Configuration	111
Common Configuration Tasks	112
Searching for the BOF	113
Accessing the CLI	116
Console Connection	116
Configuring BOF Parameters	118
Service Management Tasks	119
System Administration Commands	119
Viewing the Current Configuration	119
Modifying and Saving a Configuration	121
Deleting BOF Parameters	122
Saving a Configuration to a Different Filename	123
Rebooting	123
BOF Command Reference	125
System Management	
System Management Parameters	152
System Information	152
System Name	152
System Contact	152
System Location	153
System Coordinates	153
Naming Objects	153
Common Language Location Identifier	154
System Time	155
Time Zones	155
Network Time Protocol (NTP)	157
SNTP Time Synchronization	158
CRON	159
High Availability	160
High Availability Features	160
Redundancy	160
System Configuration Process Overview	162
Configuration Notes	163
General	163
Configuring System Management with CLI	165
System Management	166
Saving Configurations	166
Basic System Configuration	167
Common Configuration Tasks	168
System Information	169

System Information Parameters	170
Coordinates	172
System Time Elements	173
Configuring Backup Copies	194
System Administration Parameters	195
Validating the Golden Bootstrap Image	195
Updating the Golden Bootstrap Image	196
Disconnect	196
Set-time	197
Display-config	197
Tech-support	199
Save	199
Reboot	200
Post-Boot Configuration Extension Files	201
Configuring System Monitoring Thresholds	204
Creating Events	204
System Alarm Contact Inputs	206
System Command Reference	207
Standards and Protocol Support	305
Index	307

Table of Contents

LIST OF TABLES

Getting Started

Table 1:	Configuration Process	15
----------	---------------------------------	----

CLI Usage

Table 2:	Console Control Commands	22
Table 3:	Command Syntax Symbols	24
Table 4:	CLI Environment Commands	25
Table 5:	CLI Monitor Command Contexts	26
Table 6:	Online Help Commands	27
Table 7:	Command Editing Keystrokes	35
Table 8:	CLI Range Use Limitations	39
Table 9:	Regular Expression Symbols	42
Table 10:	Special Characters	43
Table 11:	Show Alias Output Fields	76

File System Management

Table 12:	URL Types and Syntax	79
Table 13:	File Command Local and Remote File System Support	80

Boot Options

Table 14:	Console Configuration Parameter Values	116
Table 15:	Show BOF Output Fields	145

System Management

Table 16:	System-defined Time Zones	155
Table 17:	System-defined Time Zones	174
Table 18:	Show System CPU Output Fields	271
Table 19:	Show Memory Pool Output Fields	280
Table 20:	Show System SNTP Output Fields	286
Table 21:	Show System Time Output Fields	289
Table 22:	Show System tod-suite Output Fields	291
Table 23:	Show System Time-range Output Fields	294
Table 24:	System Timing Output Fields	295

LIST OF FIGURES

CLI Usage

Figure 1:	Root Commands	18
Figure 2:	Operational Root Commands	19

Boot Options

Figure 3:	Bootstrap Load Process - System Initialisation - Part I	97
Figure 4:	Files on the Flash	98
Figure 5:	Bootstrap Process - System Initialization - Part II-A	102
Figure 6:	Bootstrap Process - System Initialization - Part II-B	103
Figure 7:	Bootstrap Process - System Initialization - Part II-C	104
Figure 8:	Timos Boot - System Initialization - Part III	105
Figure 9:	7210 SAS E Front Panel Console Port	117

System Management

Figure 10:	System Configuration and Implementation Flow	162
------------	----------------------------------------------	-----

About This Guide

This guide describes system concepts and provides configuration explanations and examples to configure 7210 SAS-Series boot option file (BOF), file system and system management functions.

This document is organized into functional chapters and provides concepts and descriptions of the implementation flow, as well as Command Line Interface (CLI) syntax and command usage.

Audience

This manual is intended for network administrators who are responsible for configuring the 7210 SAS-Series routers. It is assumed that the network administrators have an understanding of networking principles and configurations. Protocols, standards, and processes described in this manual include the following:

- CLI concepts
- File system concepts
- Boot option, configuration, image loading, and initialization procedures
- Basic system management functions such as the system name, router location and coordinates, and CLI code, time zones, Network Time Protocol (NTP), Simple Network Time Protocol (SNTP), and synchronization properties

List of Technical Publications

The 7210-SAS E OS documentation set is composed of the following books:

- 7210-SAS E OS Basic System Configuration Guide
This guide describes basic system configurations and operations.
- 7210-SAS E OS System Management Guide
This guide describes system security and access configurations as well as event logging and accounting logs.
- 7210-SAS E OS Interface Configuration Guide
This guide describes card, Media Dependent Adapter (MDA), and port provisioning.
- 7210-SAS E OS Router Configuration Guide
This guide describes logical IP routing interfaces and associated attributes such as an IP address, port, link aggregation group (LAG) as well as IP-based filtering.
- 7210-SAS E OS Routing Protocols Guide
This guide provides an overview of routing concepts and provides configuration examples for protocols and route policies.
- 7210-SAS E OS Services Guide
This guide describes how to configure service parameters such as customer information, and user services.
- 7210-SAS E OS OAM and Diagnostic Guide
This guide describes how to configure features such as service mirroring and Operations, Administration and Management (OAM) tools.
- 7210-SAS E OS Quality of Service Guide
This guide describes how to configure Quality of Service (QoS) policy management.

Technical Support

If you purchased a service agreement for your 7210 SAS-Series router and related products from a distributor or authorized reseller, contact the technical support staff for that distributor or reseller for assistance. If you purchased an Alcatel-Lucent service agreement, contact your welcome center:

Web: http://www1.alcatel-lucent.com/comps/pages/carrier_support.jhtml

Getting Started

In This Chapter

This chapter provides process flow information to configure basic router and system parameters, perform operational functions with directory and file management, and boot option tasks.

Alcatel-Lucent 7210 SAS-Series System Configuration Process

[Table 1](#) lists the tasks necessary to configure boot option files (BOF) and system and file management functions. Each chapter in this book is presented in an overall logical configuration flow. Each section describes a software area and provides CLI syntax and command usage to configure parameters for a functional area. After the hardware installation has been properly completed, proceed with the 7210 SAS-Series device configuration tasks in the following order:

Table 1: Configuration Process

Area	Task	Chapter
CLI Usage	The CLI structure	CLI Usage on page 17
	Basic CLI commands	Basic CLI Commands on page 22
	Configure environment commands	CLI Environment Commands on page 25
	Configure monitor commands	CLI Monitor Commands on page 26
Operational functions	Directory and file management	File System Management on page 77

Table 1: Configuration Process

Area	Task	Chapter (Continued)
Boot options	Configure boot option files (BOF)	Boot Options on page 95
System configuration	Configure system functions, including host name, address, domain name, and time parameters.	System Management on page 151
Reference	List of IEEE, IETF, and other proprietary entities.	Standards and Protocol Support on page 337

In This Chapter

This chapter provides information about using the command-line interface (CLI).

Topics in this chapter include:

- [CLI Structure on page 18](#)
- [Navigating in the CLI on page 20](#)
- [Basic CLI Commands on page 22](#)
- [CLI Environment Commands on page 25](#)
- [CLI Monitor Commands on page 26](#)
- [Getting Help in the CLI on page 27](#)
- [The CLI Command Prompt on page 29](#)
- [Displaying Configuration Contexts on page 30](#)
- [EXEC Files on page 33](#)
- [Entering CLI Commands on page 34](#)

CLI Structure

Alcatel-Lucent’s Operating System (OS) CLI is a command-driven interface accessible through the console, Telnet and secure shell (SSH). The CLI can be used for configuration and management of routers.

The CLI command tree is a hierarchical inverted tree. At the highest level is the ROOT level. Below this level are other tree levels with the major command groups; for example, **configuration** commands and **show** commands are levels below ROOT.

The CLI is organized so related commands with the same scope are at the same level or in the same context. Sublevels or subcontexts have related commands with a more refined scope.

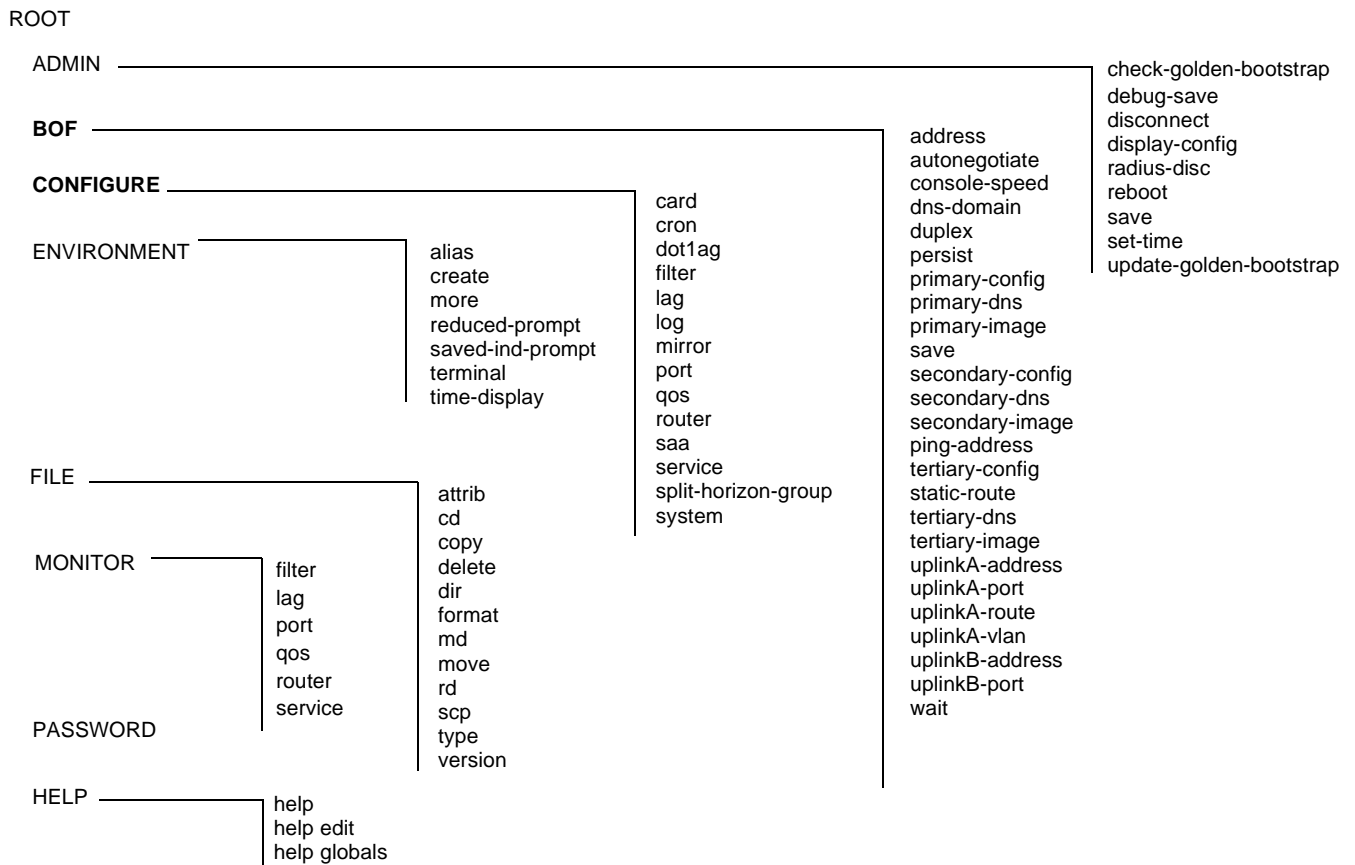


Figure 1: Root Commands

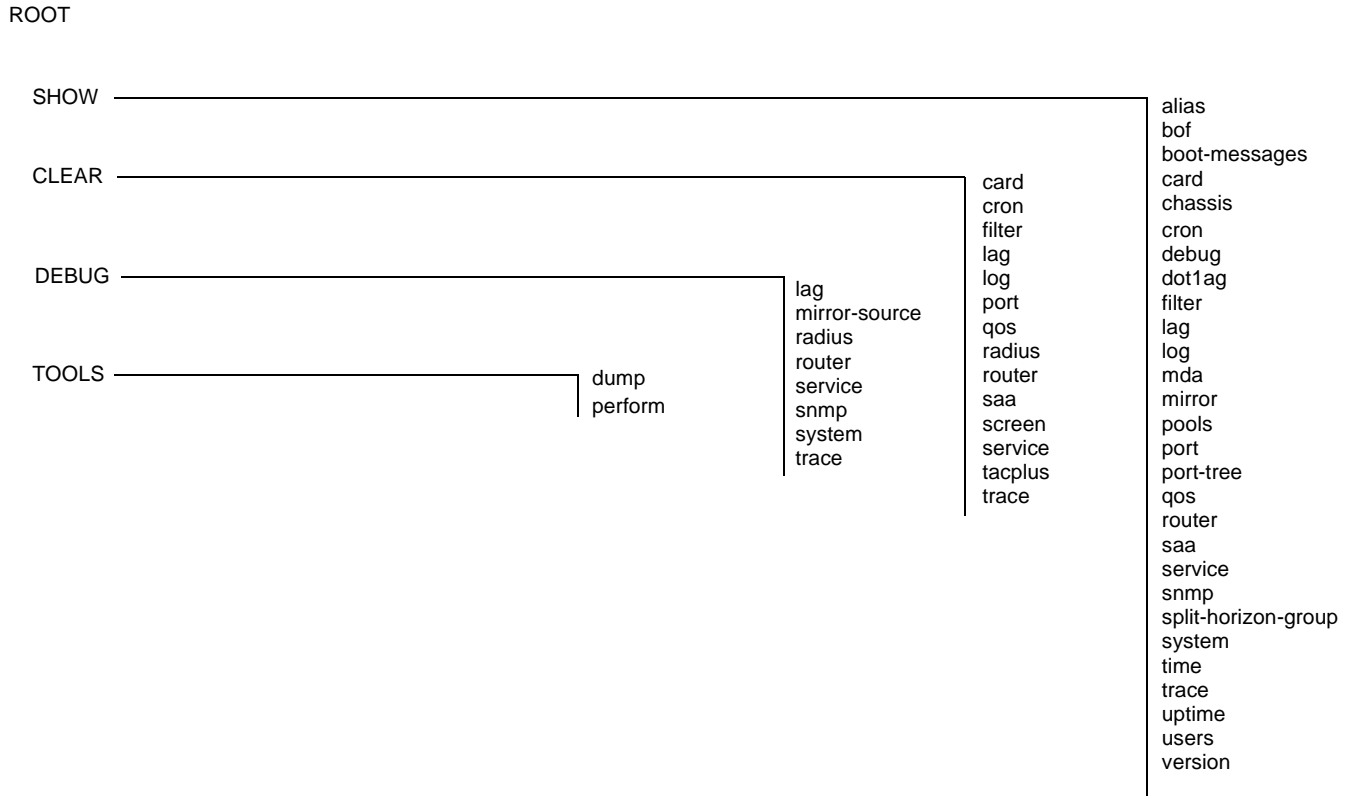


Figure 2: Operational Root Commands

Navigating in the CLI

The following sections describe additional navigational and syntax information.

- [CLI Contexts on page 20](#)
- [Basic CLI Commands on page 22](#)
- [CLI Environment Commands on page 25](#)
- [CLI Monitor Commands on page 26](#)
- [Entering Numerical Ranges on page 39](#)

CLI Contexts

Use the CLI to access, configure, and manage Alcatel-Lucent's 7210 SAS devices. CLI commands are entered at the command line prompt. Access to specific CLI commands is controlled by the permissions set by your system administrator. Entering a CLI command makes navigation possible from one command context (or level) to another.

When you initially enter a CLI session, you are in the ROOT context. Navigate to another level by entering the name of successively lower contexts. For example, enter either the **configure** or **show** commands at the ROOT context to navigate to the **config** or **show** context, respectively. For example, at the command prompt, enter **config**. The active context displays in the command prompt.

```
A:ALU-7210# config
A:ALU-7210>config#
```

In a given CLI context, you can enter commands at that context level by simply entering the text. It is also possible to include a command in a lower context as long as the command is formatted in the proper command and parameter syntax.

The following example shows two methods to navigate to a service SAP ingress level:

Method 1:

```
A:ALU-7210# config service epipe 6 sap 1/1/2 ingress
```

Method 2:

```
A:ALU-7210# configure
A:ALU-7210>config# service
A:ALU-7210>config>service# epipe 6
A:ALU-7210>config>service>epipe# sap 1/1/2
A:ALU-7210>config>service>epipe>sap# ingress
A:ALU-7210>config>service>epipe>sap>ingress#
```

The CLI returns an error message when the syntax is incorrect.

```
A:ALU-7210>config>service>epipe# sapp
      ^
Error: Bad command.
A:ALU-7210>config>service>epipe#
```

Basic CLI Commands

The console control commands are the commands that are used for navigating within the CLI and displaying information about the console session. Most of these commands are implemented as global commands. They can be entered at any level in the CLI hierarchy with the exception of the `password` command which must be entered at the ROOT level. The console control commands are listed in [Table 2](#).

Table 2: Console Control Commands

Command	Description	Page
<code><Ctrl-c></code>	Aborts the pending command.	
<code><Ctrl-z></code>	Terminates the pending command line and returns to the ROOT context.	
<code>back</code>	Navigates the user to the parent context.	48
<code>clear</code>	Clears statistics for a specified entity or clears and resets the entity.	48
<code>echo</code>	Echos the text that is typed in. Primary use is to display messages to the screen within an <code>exec</code> file.	49
<code>exec</code>	Executes the contents of a text file as if they were CLI commands entered at the console.	49
<code>exit</code>	Returns the user to the previous higher context.	49
<code>exit all</code>	Returns the user to the ROOT context.	50
<code>help</code>	Displays help in the CLI.	51
<code>?</code>		
<code>history</code>	Displays a list of the most recently entered commands.	52
<code>info</code>	Displays the running configuration for a configuration context.	53
<code>logout</code>	Terminates the CLI session.	56
<code>oam</code>	Provides OAM test suite options. See the OAM section of the 7210 SAS OS OAM and Diagnostic Guide.	
<code>password</code>	Changes the user CLI login password. The password can only be changed at the ROOT level.	57
<code>ping</code>	Verifies the reachability of a remote host.	57
<code>pwc</code>	Displays the present or previous working context of the CLI session.	59

Table 2: Console Control Commands (Continued)

Command	Description	Page
sleep	Causes the console session to pause operation (sleep) for one second or for the specified number of seconds. Primary use is to introduce a pause within the execution of an <code>exec</code> file.	59
ssh	Opens a secure shell connection to a host.	60
telnet	Telnet to a host.	60
traceroute	Determines the route to a destination address.	61
tree	Displays a list of all commands at the current level and all sublevels.	62
write	Sends a console message to a specific user or to all users with active console sessions.	62

The list of all system global commands is displayed by entering `help globals` in the CLI. For example:

```
A:ALU-7210>config>service# help globals
back          - Go back a level in the command tree
echo          - Echo the text that is typed in
enable-admin  - Enable the user to become a system administrator
exec          - Execute a file - use -echo to show the commands and
               prompts on the screen
exit          - Exit to intermediate mode - use option all to exit to
               root prompt
help          - Display help
history       - Show command history
info         - Display configuration for the present node
logout       - Log off this system
oam          + OAM Test Suite
ping         - Verify the reachability of a remote host
pwc         - Show the present working context
sleep       - Sleep for specified number of seconds
ssh         - SSH to a host
telnet      - Telnet to a host
traceroute  - Determine the route to a destination address
tree        - Display command tree structure from the context of
               execution
write       - Write text to another user
A:ALU-7210>config>service#
```

[Table 3](#) lists describes command syntax symbols.

Table 3: Command Syntax Symbols

Symbol	Description
	A vertical line indicates that one of the parameters within the brackets or braces is required. tcp-ack {true false}
[]	Brackets indicate optional parameters. redirects [number seconds]
< >	Angle brackets indicate that you must enter text based on the parameter inside the brackets. interface <interface-name>
{ }	Braces indicate that one of the parameters must be selected. default-action {drop forward}
[{ }]	Braces within square brackets indicates that you must choose one of the optional parameters. <ul style="list-style-type: none"> • sdp <i>sdp-id</i> [{gre mpls}] vpls <i>service-id</i> [svc-sap-type {null-star dot1q dot1q-preserve}]
Bold	Commands in bold indicate commands and keywords.
<i>Italic</i>	Commands in <i>italics</i> indicate command options.

CLI Environment Commands

The CLI **environment** commands are found in the `root>environment` context of the CLI tree and controls session preferences for a single CLI session. The CLI environment commands are listed in [Table 4](#).

Table 4: CLI Environment Commands

Command	Description	Page
<code>alias</code>	Enables the substitution of a command line by an alias.	63
<code>create</code>	Enables or disables the use of a create parameter check.	63
<code>more</code>	Configures whether CLI output should be displayed one screen at a time awaiting user input to continue.	63
<code>reduced-prompt</code>	Configures the maximum number of higher-level CLI context nodes to display by name in the CLI prompt for the current CLI session.	64
<code>saved-ind-prompt</code>	Saves the indicator in the prompt.	64
<code>terminal</code>	Configures the terminal screen length for the current CLI session.	65
<code>time-display</code>	Specifies whether time should be displayed in local time or UTC.	65

CLI Monitor Commands

Monitor commands display specified statistical information related to the monitor subject (such as filter, port, QoS, router, service) at a configurable interval until a count is reached. The CLI **monitor** commands are found in the `root>monitor` context of the CLI tree.

The **monitor** command output displays a snapshot of the current statistics. The output display refreshes with subsequent statistical information at each configured interval and is displayed as a delta to the previous display.

The `<Ctrl-C>` keystroke interrupts a monitoring process. Monitor command configurations cannot be saved. You must enter the command for each monitoring session. Note that if the maximum limits are configured, you can monitor the statistical information for a maximum of 60 * 999 sec ~ 1000 minutes.

The CLI monitor command contexts are listed in [Table 4](#).

Table 5: CLI Monitor Command Contexts

Command	Description	Page
<code>filter</code>	Enables IP and MAC filter monitoring at a configurable interval until that count is reached.	66
<code>lag</code>	Enables Link Aggregation Group (LAG) monitoring to display statistics for individual port members and the LAG.	69
<code>port</code>	Enables port traffic monitoring. The specified port(s) statistical information displays at the configured interval until the configured count is reached.	71
<code>service</code>	Monitors commands for a particular service.	72

Getting Help in the CLI

The **help** system commands and the `?` key display different types of help in the CLI. [Table 6](#) lists the different help commands.

Table 6: Online Help Commands

Command	Description
<code>help ?</code>	List all commands in the current context.
<code>string ?</code>	List all commands available in the current context that start with <i>string</i> .
<code>command ?</code>	Displays the command's syntax and associated keywords.
<code>command keyword ?</code>	List the associated arguments for <i>keyword</i> in <i>command</i> .
<code>string<Tab></code>	Complete a partial command name (auto-completion) or list available commands that match <i>string</i> .

The **tree** and **tree detail** system commands are help commands useful when searching for a command in a lower-level context.

The following example displays a partial list of the `tree` and `tree detail` command output entered at the `config` level.

Getting Help in the CLI

```
A:ALU-7210>config# tree
configure
+---card
| +---card-type
| +---mda
| | +---access
| | +---mda-type
| | +---network
| | +---shutdown
| +---shutdown
+---cron
| +---action
| | +---expire-time
| | +---lifetime
| | +---max-completed
| | +---results
| | +---script
| | +---shutdown
| +---schedule
| | +---action
| | +---count
| | +---day-of-month
| | +---description
| | +---end-time
| | +---hour
| | +---interval
| | +---minute
| | +---month
| | +---shutdown
| | +---type
| | +---weekday
| +---script
| | +---description
| | +---location
| | +---shutdown
| +---time-range
| | +---absolute
| | +---daily
| | +---description
| | +---weekdays
| | +---weekend
| | +---weekly
| +---tod-suite
| | +---description
| | +---egress
| | | +---filter
| | | +---qos
| | | +---scheduler-policy
| | +---ingress
| | | +---filter
| | | +---qos
| | | +---scheduler-policy
+---dot1ag
| +---domain
| | +---association
...
```

```
*A:ALA-12>config# tree detail
configure
+---card <slot-number>
| no card <slot-number>
| +---card-type <card-type>
| | no card-type
| +---mda <mda-slot>
| | no mda <mda-slot>
| | +---access
| | +---mda-type <mda-type>
| | | no mda-type
| | +---network
| | +---no shutdown
| | | shutdown
| | +---no shutdown
| | shutdown
+---cron
+---action <action-name> [owner <action-owner>]
| | no action <action-name> [owner <action-owner>]
| | +---expire-time {<seconds>|forever}
| | +---lifetime {<seconds>|forever}
| | +---max-completed <unsigned>
| | +---no results
| | | results <file-url>
| | +---no script
| | | script <script-name> [owner <script-owner>]
| | +---no shutdown
| | | shutdown
+---no schedule <schedule-name> [owner <schedule-owner>]
| | schedule <schedule-name> [owner <schedule-owner>]
| | +---action <action-name> [owner <action-owner>]
| | | no action
| | +---count <number>
| | | no count
| | +---day-of-month {<day-number> [..<day-number>]}all}
| | | no day-of-month
| | +---description <description-string>
| | | no description
| | +---end-time [<date>|<day-name>] <time>
| | | no end-time
| | +---hour {<hour-number> [..<hour-number>]}all}
| | | no hour
| | +---interval <seconds>
| | | no interval
| | +---minute {<minute-number> [..<minute-number>]}all}
| | | no minute
| | | +---month {<month-number> [..<month-number>]}<month-name>
| | | [..<month-nam>]}all}
| | | no month
| | +---no shutdown
| | | shutdown
| | +---type <schedule-type>
| | | +---weekday {<weekday-number> [..<weekday-number>]}<day-name>
| | | [..<day-nme>]}all}
| | ...
```

The CLI Command Prompt

By default, the CLI command prompt indicates the device being accessed and the current CLI context. For example, the prompt: **A:ALA-1>config>router>if#** indicates the active context, the user is on the device with hostname ALA-1 in the **configure>router>interface** context. In the prompt, the separator used between contexts is the “>” symbol.

At the end of the prompt, there is either a pound sign (“#”) or a dollar sign (“\$”). A “#” at the end of the prompt indicates the context is an existing context. A “\$” at the end of the prompt indicates the context has been newly created. New contexts are newly created for logical entities when the user first navigates into the context.

Since there can be a large number of sublevels in the CLI, the **environment** command **reduced-prompt** *no of nodes in prompt* allows the user to control the number of levels displayed in the prompt.

All special characters (#, \$, etc.) must be enclosed within double quotes, otherwise it is seen as a comment character and all characters on the command line following the # are ignored. For example:

```
*A:ALU-7210>config>router# interface "primary#1"
```

When changes are made to the configuration file a “*” appears in the prompt string (*A:ALU-7210) indicating that the changes have not been saved. When an admin save command is executed the “*” disappears. This behavior is controlled in the **saved-ind-prompt** command in the **environment** context.

Displaying Configuration Contexts

The `info` and `info detail` commands display configuration for the current level. The `info` command displays non-default configurations. The `info detail` command displays the entire configuration for the current level, including defaults. The following example shows the output that displays using the `info` command and the output that displays using the `info detail` command.

```
*A:ALA>config>service>vpls# info
-----
      stp
        shutdown
      exit
      sap 1/1/14:100 create
      exit
      sap 1/1/15:100 create
      exit
      no shutdown
-----

*A:ALA>config>service>vpls# info detail
-----
      no description
      no disable-learning
      no disable-aging
      no discard-unknown
      fdb-table-size 250
      fdb-table-high-wmark 95
      fdb-table-low-wmark 90
      local-age 300
      stp
        shutdown
        priority 32768
        hello-time 2
        forward-delay 15
        max-age 20
        hold-count 6
        mode rstp
      exit
      mac-move
        move-frequency 2
        retry-timeout 10
        shutdown
      exit
      sap 1/1/14:100 create
        no description
        no tod-suite
        limit-mac-move blockable
        no disable-aging
        no max-nbr-mac-addr
        no discard-unknown-source
        no mac-pinning
        stp
          path-cost 10
          priority 128
          no edge-port
          auto-edge
```

```

        link-type pt-pt
        no root-guard
        no shutdown
    exit
    dot1ag
    exit
    no authentication-policy
    no l2pt-termination
    no bpdu-translation
    ingress
        qos 1
        no match-qinq-dot1p
        no filter
    exit
    egress
        no qinq-mark-top-only
        no filter
        no agg-rate-limit
    exit
    no collect-stats
    no accounting-policy
    no shutdown
exit
sap 1/1/15:100 create
    no description
    no tod-suite
    limit-mac-move blockable
    no disable-aging
    no max-nbr-mac-addr
    no discard-unknown-source
    no mac-pinning
    stp
        path-cost 10
        priority 128
        no edge-port
        auto-edge
        link-type pt-pt
        no root-guard
        no shutdown
    exit
    dot1ag
    exit
    no authentication-policy
    no l2pt-termination
    no bpdu-translation
    ingress
        qos 1
        no match-qinq-dot1p
        no filter
    exit
    egress
        no qinq-mark-top-only
        no filter
        no agg-rate-limit
    exit
    no collect-stats
    no accounting-policy
    no shutdown
exit

```

Displaying Configuration Contexts

```
no shutdown
-----
*A:ALA>config>service>vpls#
```

EXEC Files

The `exec` command allows you to execute a text file of CLI commands as if it were typed at a console device.

The `exec` command and the associated `exec` files can be used to conveniently execute a number of commands that are always executed together in the same order. For example, an `exec` command can be used by a user to define a set of commonly used standard command aliases.

The `echo` command can be used within an `exec` command file to display messages on screen while the file executes.

Entering CLI Commands

Command Completion

The CLI supports both command abbreviation and command completion. If the keystrokes entered are enough to match a valid command, the CLI displays the remainder of the command syntax when the <Tab> key or space bar is pressed. When typing a command, the <Tab> key or space bar invokes auto-completion. If the keystrokes entered are definite, auto-completion will complete the command. If the letters are not sufficient to identify a specific command, pressing the <Tab> key or space bar will display commands matching the letters entered. System commands are available in all CLI context levels.

Unordered Parameters

In a given context, the CLI accepts command parameters in any order as long as the command is formatted in the proper command keyword and parameter syntax. Command completion will still work as long as enough recognizable characters of the command are entered.

The following output shows different **static-route** command syntax and an example of the command usage.

```
*A:ALA-1>config>router# static-route
- [no] static-route {<ip-prefix/prefix-length>|<ip-prefix> <netmask>}
  [preference <preference>] [metric <metric>] [enable|disable] next-hop
  <gateway>
- [no] static-route {<ip-prefix/prefix-length>|<ip-prefix> <netmask>}
  [preference <preference>] [metric <metric>] [enable|disable] black-hole
```

Editing Keystrokes

When entering a command, special keystrokes allow for editing of the command. [Table 7](#) lists the command editing keystrokes.

Table 7: Command Editing Keystrokes

Editing Action	Keystrokes
Delete current character	<Ctrl-d>
Delete text up to cursor	<Ctrl-u>
Delete text after cursor	<Ctrl-k>
Move to beginning of line	<Ctrl-a>
Move to end of line	<Ctrl-e>
Get prior command from history	<Ctrl-p>
Get next command from history	<Ctrl-n>
Move cursor left	<Ctrl-b>
Move cursor right	<Ctrl-f>
Move back one word	<Esc>
Move forward one word	<Esc><f>
Convert rest of word to uppercase	<Esc><c>
Convert rest of word to lowercase	<Esc><l>
Delete remainder of word	<Esc><d>
Delete word up to cursor	<Ctrl-w>
Transpose current and previous character	<Ctrl-t>
Enter command and return to root prompt	<Ctrl-z>
Refresh input line	<Ctrl-l>

Absolute Paths

CLI commands can be executed in any context by specifying the full path from the CLI root. To execute an out-of-context command enter a forward slash “/” or backward slash “\” at the beginning of the command line. The forward slash “/” or backward slash “\” cannot be used with the **environment alias** command. The commands are interpreted as absolute path. Spaces between the slash and the first command will return an error. Commands that are already global (such as ping, telnet, exit, back, etc.) cannot be executed with a forward slash “/” or backward slash “\” at the beginning of the command line.

```
*A:ALA-12# configure router
*A:ALA-12>config>router# interface system address 1.2.3.4
*A:ALA-12>config>router# /admin save
*A:ALA-12>config>router# \clear router interface
*A:ALA-12>config>router#
```

The command may or may not change the current context depending on whether or not it is a leaf command. This is the same behavior the CLI performs when CLI commands are entered individually, for example:

```
*A:ALA-12# admin
*A:ALA-12>admin# save
OR
*A:ALA-12# admin save
*A:ALA-12#
```

Note that an absolute path command behaves the same as manually entering a series of command line instructions and parameters.

For example, beginning in an IES context service ID 4 (IES 4),

CLI Syntax: config>service>ies> /clear card 1

behaves the same as the following series of commands.

Example: config>service>ies>exit all
clear card 1
configure service ies 4 (returns you to your starting point)
config>service>ies

If the command takes you to a different context, the following occurs:

CLI Syntax: `config>service>ies>/configure service ies 5 create`

becomes

Example: `config>service>ies>exit all
configure service vpls 5 create
config>service>vpls>`

History

The CLI maintains a history of the most recently entered commands. The `history` command displays the most recently entered CLI commands.

```
*A:ALA-1# history
 1 environment terminal length 48
 2 environment no create
 3 show version
 4 configure port 1/1/1
 5 info
 6 \configure router isis
 7 \port 1/1/1
 8 con port 1/1/1
 9 \con port 1/1/1
10 \configure router bgp
11 info
12 \configure system login-control
13 info
14 history
15 show version
16 history
*A:ALA-1# !3
TIMOS-B-0.0.I232 both/i386 ALCATEL SAS-E 7210 Copyright (c) 2000-2008 Alcatel-Lu
cent.
All rights reserved. All use subject to applicable license agreements.
Built on Sat Oct 11 18:15:40 IST 2008 by panosbld in /panosbld/ws/panos/main
*A:ALU-7210#
```

Entering Numerical Ranges

The 7210-SAS E OS CLI allows the use of a single numerical range as an argument in the command line. A range in a CLI command is limited to positive integers and is denoted with two numbers enclosed in square brackets with two periods (“..”) between the numbers:

$$[x..y]$$

where x and y are positive integers and $y-x$ is less than 1000.

For example, it is possible to shut down ports 1 through 10 in Slot 1 on MDA 1. A port is denoted with “*slot/mda/port*”, where *slot* is the slot number, *mda* is the MDA number and *port* is the port number. To shut down ports 1 through 10 on Slot 1 and MDA 1, the command is entered as follows:

```
configure port 1/1/[1..10] shutdown
```

<Ctrl-C> can be used to abort the execution of a range command.

Specifying a range in the CLI does have limitations. These limitations are summarized in [Table 8](#).

Table 8: CLI Range Use Limitations

Limitation	Description
Only a single range can be specified.	It is not possible to shut down ports 1 through 10 on MDA 1 and MDA 2, as the command would look like <pre>configure port 1/[1..2]/[1..10]</pre> and requires two ranges in the command, [1..2] for the MDA and [1..10] for the port number.
Ranges within quotation marks are interpreted literally.	In the CLI, enclosing a string in quotation marks (“string”) causes the string to be treated literally and as a single parameter. For example, several commands in the CLI allow the configuration of a descriptive string. If the string is more than one word and includes spaces, it must be enclosed in quotation marks. A range that is enclosed in quotes is also treated literally. For example, <pre>configure router interface "A[1..10]" no shutdown</pre> creates a single router interface with the name “A[1..10]”. However, a command such as: <pre>configure router interface A[1..10] no shutdown</pre> creates 10 interfaces with names A1, A2 .. A10.

Table 8: CLI Range Use Limitations (Continued)

Limitation	Description
The range cannot cause a change in contexts.	Commands should be formed in such a way that there is no context change upon command completion. For example, <code>configure port 1/1/[1..10]</code> will attempt to change ten different contexts. When a range is specified in the CLI, the commands are executed in a loop. On the first loop execution, the command changes contexts, but the new context is no longer valid for the second iteration of the range loop. A “Bad Command” error is reported and the command aborts.
Command completion may cease to work when entering a range.	After entering a range in a CLI command, command and key completion, which normally occurs by pressing the <Tab> or spacebar, may cease to work. If the command line entered is correct and unambiguous, the command works properly; otherwise, an error is returned.

Pipe/Match

The 7210-SAS E OS supports the pipe feature to search one or more files for a given character string or pattern.

Note: When using the pipe/match command the variables and attributes must be spelled correctly. The attributes following the command and must come before the expression/pattern. The following displays examples of the pipe/match command to complete different tasks:

- Task: Capture all the lines that include “echo” and redirect the output to a file on the compact flash:
admin display-config | match “echo” > cf3cf1:\echo_list.txt
- Task: Display all the lines that do not include “echo”:
admin display-config | match invert-match “echo”
- Task: Display the first match of “vpls” in the configuration file:
admin display-config | match max-count 1 “vpls”
- Task: Display everything in the configuration after finding the first instance of "interface":
admin display-config | match post-lines 999999 interface

Command syntax:

```
match pattern context { parents | children | all } [ignore-case] [max-count lines-count] [expression]
```

```
match pattern [ignore-case] [invert-match] [pre-lines pre-lines] [post-lines lines-count] [max-count lines-count] [expression]
```

where:

<code>pattern</code>	string or regular expression
<code>context</code>	keyword: display context associated with the matching line
<code>parents</code>	keyword: display parent context information
<code>children</code>	keyword: display child context information
<code>all</code>	keyword: display both parent and child context information
<code>ignore-case</code>	keyword
<code>max-count</code>	keyword: display only a specific number of instances of matching lines
<code>lines-count</code>	1 – 2147483647
<code>expression</code>	keyword: pattern is interpreted as a regular expression
<code>invert-match</code>	keyword
<code>pre-lines</code>	keyword: display some lines prior to the matching line
<code>pre-lines</code>	0 – 100
<code>post-lines</code>	keyword: display some lines after the matching line
<code>lines-count</code>	1 – 2147483647

For example:

```
*A:Dut-G# show log log-id 99 | match ignore-case sap
```

Entering CLI Commands

```
"Processing of an access port state change event is finished and the status of all affected
SAPs on port 1/1/21 has been updated."
"Service Id 4001, SAP Id 1/1/21:0.* configuration modified"
```

```
A:Dut-C# show log log-id 98 | match max-count 1 "service 1001"
"Status of service 1001 (customer 1) changed to administrative state: up, operational
state: up"
```

```
*A:Dut-G# admin display-config | match post-lines 4 max-count 2 expression "vpls"
#-----
...
    vpls 1 customer 1 svc-sap-type null-star create
        description "Default tls description for service id 1"
        stp
            shutdown
        exit
    vpls 2 customer 1 svc-sap-type null-star create
        description "Default tls description for service id 2"
        stp
            shutdown
        exit
...
#-----
```

[Table 9](#) describes regular expression symbols and interpretation (similar to what is used for route policy regexp matching). [Table 10](#) describes special characters.

Table 9: Regular Expression Symbols

String	Description
.	Matches any single character.
[]	Matches a single character that is contained within the brackets. [abc] matches “a”, “b”, or “c”. [a-z] matches any lowercase letter. [A-Z] matches any uppercase letter. [0-9] matches any number.
[^]	Matches a single character that is not contained within the brackets. [^abc] matches any character other than “a”, “b”, or “c”. [^a-z] matches any single character that is not a lowercase letter.
^	Matches the start of the line (or any line, when applied in multiline mode)
\$	Matches the end of the line (or any line, when applied in multiline mode)
()	Define a “marked subexpression”. Every matched instance will be available to the next command as a variable.
*	A single character expression followed by “*” matches zero or more copies of the expression.

Table 9: Regular Expression Symbols (Continued)

String	Description
{m, n}	Matches least m and at most n repetitions of the term
{m}	Matches exactly m repetitions of the term
{m, }	Matches m or more repetitions of the term
?	The preceding item is optional and matched at most once.
+	The preceding item is matched one or more times.
-	Used between start and end of a range.
\	An escape character to indicate that the following character is a match criteria and not a grouping delimiter.
>	Redirect output

Table 10: Special Characters

Options	Similar to	Description
[:upper:]	[A-Z]	uppercase letters
[:lower:]	[a-z]	lowercase letters
[:alpha:]	[A-Za-z]	upper- and lowercase letters
\w	[A-Za-z_]	word characters
[:alnum:]	[A-Za-z0-9]	digits, upper- and lowercase letters
[:digit:]	[0-9]	digits
\d	[0-9]	digits
[:xdigit:]	[0-9A-Fa-f]	hexadecimal digits
[:punct:]	[.,!?:...]	punctuation
[:blank:]	[\t]	space and TAB
[:space:]	[\t\n\r\f\v]	blank characters
\s	[\t\n\r\f\v]	blank characters

Redirection

The 7210-SAS E OS supports redirection (“>”) which allows the operator to store the output of a CLI command as a local or remote file. Redirection of output can be used to automatically store results of commands in files (both local and remote).

```
'ping <customer_ip> > cf3cf1:/ping/result.txt'  
'ping <customer_ip> > ftp://ron@ftp.alcatel.com/ping/result.txt'
```

In some cases only part of the output might be applicable. The pipe/match and redirection commands can be combined:

```
ping 10.0.0.1 | match expression "time.\d+" > cf3cf1:/ping/time.txt
```

This records only the RTT portion (including the word “time”).

Basic Command Reference

Command Hierarchies

- [Basic CLI Commands](#)
- [Environment Commands](#)
- [Monitor Commands](#)

Basic CLI Commands

- **back**
- **clear**
- **echo** [*text-to-echo*] [*extra-text-to-echo*] [*more-text*]
- **enable-admin**
- **exec** [-echo] [-syntax] *filename*
- **exit** [all]
- **help**
- **history**
- **info** [detail]
- **logout**
- **password**
- **ping** {*ip-address* | *dns-name*} [**rapid** | **detail**] [ttl *time-to-live*] [tos *type-of-service*] [size *bytes*] [pattern *pattern*] [source *ip-address*] [interval *seconds*] [{**next-hop** *ip-address*} | {**interface** *interface-name*} | **bypass-routing**] [count *requests*] [**do-not-fragment**] [router [*router-instance*]][timeout *time-out*]
- **pwc** [previous]
- **sleep** [seconds]
- **ssh** [*ip-addr* | *dns-name* /*username@ip-addr*] [-l *username*] [-v *SSH-version*] [**router** *router-instance* / **service-name** *service-name*]
- **telnet** [*ip-address* | *dns-name*] [*port*] [**router** *router-instance*]
- **traceroute** {*ip-address* | *dns-name*}[ttl *value*] [wait *milliseconds*] [no-dns] [source *ip-address*] [tos *type-of-service*]
- **tree** [detail]
- **write** {*user* | **broadcast**} *message-string*

Monitor Commands

- monitor**
- **filter**
 - **ip** *ip-filter-id* **entry** *entry-id* [*interval seconds*] [**repeat** *repeat*] [**absolute** | **rate**]
 - **mac** *mac-filter-id* **entry** *entry-id* [*interval seconds*] [**repeat** *repeat*] [**absolute** | **rate**]
- **lag** *lag-id* [*lag-id...*(up to 5 max)] [*interval seconds*] [**repeat** *repeat*] [**absolute** | **rate**]
- **port** *port-id* [*port-id...*(up to 5 max)] [*interval seconds*] [**repeat** *repeat*] [**absolute** | **rate**]
 - *sap-id* [**arbiter name** | *root*] [**ingress** | **egress**] [*interval seconds*] [**repeat** *repeat*] [**absolute** | **rate**]
 - *sub-ident-string* [**arbiter name** | *root*] [**ingress** | **egress**] [*interval seconds*] [**repeat** *repeat*] [**absolute** | **rate**]
- **service**
 - **id** *service-id*
 - **sap** *sap-id* [*interval seconds*] [**repeat** *repeat*] [**absolute** | **rate**]

Environment Commands

- <root>
- **environment**
 - **alias** *alias-name* *alias-command-name*
 - **no** **alias** *alias-name*
 - [**no**] **create**
 - [**no**] **more**
 - **reduced-prompt** [*no. of nodes in prompt*]
 - **no** **reduced-prompt**
 - [**no**] **saved-ind-prompt**
 - **terminal**
 - **length** *lines*
 - **time-display** {**local** | **utc**}

Basic CLI Commands

Global Commands

enable-admin

Syntax	enable-admin
Context	<global>
Description	<p>NOTE: See the description for the admin-password command. If the admin-password is configured in the config>system>security>password context, then any user can enter a special administrative mode by entering the enable-admin command.</p>

enable-admin is in the default profile. By default, all users are given access to this command.

Once the **enable-admin** command is entered, the user is prompted for a password. If the password matches, the user is given unrestricted access to all the commands.

The minimum length of the password is determined by the **minimum-length** command. The complexity requirements for the password is determined by the **complexity** command.

The following displays a password configuration example:

```
A:ALA-1>config>system>security# info
-----
...
    password
    aging 365
    minimum-length 8
    attempts 5 time 5 lockout 20
    admin-password "rUYUz9XMo6I" hash
    exit
...
-----
A:ALA-1>config>system>security#
```

There are two ways to verify that a user is in the enable-admin mode:

- `show users` – Administrator can know which users are in this mode.
- Enter the `enable-admin` command again at the root prompt and an error message will be returned.

```
A:ALA-1# show users
=====
User Type From Login time Idle time
=====
admin Console -- 10AUG2006 13:55:24 0d 19:42:22
admin Telnet 10.20.30.93 09AUG2004 08:35:23 0d 00:00:00 A
-----
Number of users : 2
'A' indicates user is in admin mode
=====
A:ALA-1#
A:ALA-1# enable-admin
MINOR: CLI Already in admin mode.
A:ALA-1#
```

back

Syntax	back
Context	<GLOBAL>
Description	This command moves the context back one level of the command hierarchy. For example, if the current level is the config router ospfconfig router interface <i>interface-id</i> context, the back command moves the cursor to the config router context level.

clear

Syntax	clear
Context	<GLOBAL>
Description	This command clears statistics for a specified entity or clears and resets the entity.
Parameters	cron — Clears CRON history. filter — Clears IP, MAC, and log filter counters. lag — Clears LAG-related entities. log — Closes and reinitializes the log specified by log-id. port — Clears port statistics. qos — Clears QoS statistics. radius — Clears the RADIUS server state.

router — Clears router commands affecting the router instance in which they are entered.

Values arp, authentication, bfd, dhcp, forwarding-table, icmp-redirect-route, interface, isis, ldp, mpls, ospf, rip, rsvp

saa — Clears the SAA test results.

screen — Clears the console or telnet screen.

service — Clears service ID and statistical entities.

system — Clears (re-enables) a previously failed reference.

tacplus — Clears the TACACS+ server state.

trace — Clears the trace log.

echo

Syntax	echo [<i>text-to-echo</i>] [<i>extra-text-to-echo</i>] [<i>more-text</i>]
Context	<GLOBAL>
Description	This command echoes arguments on the command line. The primary use of this command is to allow messages to be displayed to the screen in files executed with the exec command.
Parameters	<p><i>text-to-echo</i> — Specifies a text string to be echoed up to 256 characters.</p> <p><i>extra-text-to-echo</i> — Specifies more text to be echoed up to 256 characters.</p> <p><i>more-text</i> — Specifies more text to be echoed up to 256 characters.</p>

exec

Syntax	exec [- echo] [- syntax] { <i>filename</i> <<[<i>eof_string</i>]}
Context	<GLOBAL>
Description	<p>This command executes the contents of a text file as if they were CLI commands entered at the console.</p> <p>Exec commands do not have no versions.</p>
Parameters	<p>-echo — Echo the contents of the exec file to the session screen as it executes.</p> <p>Default Echo disabled.</p> <p>-syntax — Perform a syntax check of the file without executing the commands. Syntax checking will be able to find invalid commands and keywords, but it will not be able to validate erroneous user-supplied parameters.</p> <p>Default Execute file commands.</p> <p><i>filename</i> — The text file with CLI commands to execute.</p>

<< — Stdin can be used as the source of commands for the exec command. When stdin is used as the exec command input, the command list is terminated with <Ctrl-C>, “EOF<Return>” or “eof_string<Return>”.

If an error occurs entering an exec file sourced from stdin, all commands after the command returning the error will be silently ignored. The exec command will indicate the command error line number when the stdin input is terminated with an end-of-file input.

eof_string — The ASCII printable string used to indicate the end of the exec file when stdin is used as the exec file source. <Ctrl-C> and “EOF” can always be used to terminate an exec file sourced from stdin.

Default <Ctrl-C>, EOF

Related Commands

boot-bad-exec command on page 216 — Use this command to configure a URL for a CLI script to exec following a failed configuration boot.

boot-good-exec command on page 216 — Use this command to configure a URL for a CLI script to exec following a successful configuration boot.

exit

Syntax **exit [all]**

Context <GLOBAL>

Description

This command returns to the context from which the current level was entered. For example, if you navigated to the current level on a context by context basis, then the **exit** command only moves the cursor back one level.

```
A:Dut-G# configure
A:Dut-G>config# service
A:Dut-G>config>service# vpls 1
A:Dut-G>config>service>vpls# exit
A:Dut-G>config>service# exit
A:Dut-G>config# exit
```

If you navigated to the current level by entering a command string, then the **exit** command returns the cursor to the context in which the command was initially entered.

```
A:Dut-G# configure service vpls 1
A:Dut-G>config>service>vpls# exit
A:Dut-G#
```

The **exit all** command moves the cursor all the way back to the root level.

```
A:Dut-G# configure
A:Dut-G>config# service
A:Dut-G>config>service# vpls 1
A:Dut-G>config>service>vpls# exit all
A:Dut-G#
```

Parameters

all — Exits back to the root CLI context.

help

- Syntax** **help**
help edit
help global
help special-characters
 <GLOBAL>
- Description** This command provides a brief description of the help system. The following information displays:
- Help may be requested at any point by hitting a question mark '?'.
 In case of an executable node, the syntax for that node will be displayed with an explanation of all parameters.
 In case of sub-commands, a brief description is provided.
- Global Commands:
 Help on global commands can be observed by issuing "help globals" at any time.
- Editing Commands:
 Help on editing commands can be observed by issuing "help edit" at any time.
- Parameters** **help** — Displays a brief description of the help system.
- help edit** — Displays help on editing.
- Available editing keystrokes:
- Delete current character.....Ctrl-d
 Delete text up to cursor.....Ctrl-u
 Delete text after cursor.....Ctrl-k
 Move to beginning of line.....Ctrl-a
 Move to end of line.....Ctrl-e
 Get prior command from history.....Ctrl-p
 Get next command from history.....Ctrl-n
 Move cursor left.....Ctrl-b
 Move cursor right.....Ctrl-f
 Move back one word.....Esc-b
 Move forward one word.....Esc-f
 Convert rest of word to uppercase.....Esc-c
 Convert rest of word to lowercase.....Esc-l
 Delete remainder of word.....Esc-d
 Delete word up to cursor.....Ctrl-w
 Transpose current and previous character....Ctrl-t
 Enter command and return to root prompt.....Ctrl-z
 Refresh input line.....Ctrl-l
- help global** — Displays help on global commands.
- Available global commands:
- | | |
|---------|-----------------------------------------------------------------------------|
| back | - Go back a level in the command tree |
| echo | - Echo the text that is typed in |
| exec | - Execute a file - use -echo to show the commands and prompts on the screen |
| exit | - Exit to intermediate mode - use option all to exit to root prompt |
| help | - Display help |
| history | - Show command history |
| info | - Display configuration for the present node |
| logout | - Log off this system |
| oam | + OAM Test Suite |
| ping | - Verify the reachability of a remote host |
| pwd | - Show the present working context |

```

sleep          - Sleep for specified number of seconds
ssh           - SSH to a host
telnet        - Telnet to a host
traceroute    - Determine the route to a destination address
tree          - Display command tree structure from the context of
               execution
write         - Write text to another user

```

help special-characters — Displays help on special characters.

Use the following CLI commands to display more information about commands and command syntax:

? — Lists all commands in the current context.

string? — Lists all commands available in the current context that start with the string.

command ? — Display command's syntax and associated keywords.

string<Tab> or **string<Space>** — Complete a partial command name (auto-completion) or list available commands that match the string.

history

Syntax	history
Context	<GLOBAL>
Description	This command lists the last 30 commands entered in this session. Re-execute a command in the history with the !n command, where n is the line number associated with the command in the history output.

For example:

```

A:ALA-1# history
 68 info
 69 exit
 70 info
 71 filter
 72 exit all
 73 configure
 74 router
 75 info
 76 interface "test"
 77 exit
 78 reduced-prompt
 79 info
 80 interface "test"
 81 icmp unreachable exit all
 82 exit all
 83 reduced-prompt
 84 configure router
 85 interface
 86 info
 87 interface "test"
 88 info
 89 reduced-prompt
 90 exit all
 91 configure

```

```

92 card 1
93 card-type
94 exit
95 router
96 exit
97 history
A:ALA-1# !91
A:ALA-1# configure
A:ALA-1>config#

```

info

Syntax	info [detail]
Context	<GLOBAL>
Description	<p>This command displays the running configuration for the configuration context.</p> <p>The output of this command is similar to the output of a show config command. This command, however, lists the configuration of the context where it is entered and all branches below that context level.</p> <p>By default, the command only enters the configuration parameters that vary from the default values. The detail keyword causes all configuration parameters to be displayed.</p>

For example,

```

*A:STU-1>config>service# info detail
-----
      customer 1 create
        description "Default customer"
        no contact
        no phone
      exit
    ies 1 customer 1 create
      no description
      interface "new" create
        no description
        address 21.0.0.2/8
        no mac
        arp-timeout 14400
        icmp
          redirects 100 10
          unreachable 100 10
          ttl-expired 100 10
        exit
      sap 1/1/18:0.* create
        no description
        ingress
          no match-qinq-dot1p
          no filter
        exit
        egress
          no qinq-mark-top-only
          no filter
        exit
        no shutdown
      exit
    no shutdown

```

```

    exit
    no shutdown
exit
vpls 100 customer 1 svc-sap-type dot1q create
    no description
    no disable-learning
    no disable-aging
    no discard-unknown
    fdb-table-size 250
    fdb-table-high-wmark 95
    fdb-table-low-wmark 90
    local-age 300
    stp
        shutdown
        priority 32768
        hello-time 2
        forward-delay 15
        max-age 20
        hold-count 6
        mode rstp
    exit
    mac-move
        move-frequency 2
        retry-timeout 10
        shutdown
    exit
    sap 1/1/14:100 create
        no description
        no tod-suite
        limit-mac-move blockable
        no disable-aging
        no max-nbr-mac-addr
        no discard-unknown-source
        no mac-pinning
        stp
            path-cost 10
            priority 128
            no edge-port
            auto-edge
            link-type pt-pt
            no root-guard
            no shutdown
        exit
        dot1ag
        exit
        no authentication-policy
        no l2pt-termination
        no bpdu-translation
        ingress
            qos 1
            no match-qinq-dot1p
            no filter
        exit
        egress
            no qinq-mark-top-only
            no filter
            no agg-rate-limit
        exit
        no collect-stats
        no accounting-policy
        no shutdown

```

```

exit
sap 1/1/15:100 create
  no description
  no tod-suite
  limit-mac-move blockable
  no disable-aging
  no max-nbr-mac-addr
  no discard-unknown-source
  no mac-pinning
  stp
    path-cost 10
    priority 128
    no edge-port
    auto-edge
    link-type pt-pt
    no root-guard
    no shutdown
  exit
  dot1ag
  exit
  no authentication-policy
  no l2pt-termination
  no bpdu-translation
  ingress
    qos 1
    no match-qinq-dot1p
    no filter
  exit
  egress
    no qinq-mark-top-only
    no filter
    no agg-rate-limit
  exit
  no collect-stats
  no accounting-policy
  no shutdown
exit
no shutdown
exit
ies 4001 customer 1 create
  no description
  interface "inband" create
    no description
    address 192.168.1.11/24
    no mac
    arp-timeout 14400
    icmp
      redirects 100 10
      unreachableables 100 10
      ttl-expired 100 10
    exit
  sap 1/1/24:0.* create
    no description
    ingress
      no match-qinq-dot1p
      no filter
    exit
    egress
      no qinq-mark-top-only
      no filter
    exit

```

```

        no shutdown
    exit
    no shutdown
exit
interface "direct" create
    no description
    address 10.135.16.97/24
    no mac
    arp-timeout 14400
    icmp
        redirects 100 10
        unreachable 100 10
        ttl-expired 100 10
    exit
    sap 1/1/21:0.* create
        no description
        ingress
            no match-qinq-dot1p
            no filter
        exit
        egress
            no qinq-mark-top-only
            no filter
        exit
        no shutdown
    exit
    no shutdown
exit
no shutdown
exit
-----
*A:STU-1>config>service#

```

Parameters **detail** — Displays all configuration parameters including parameters at their default values.

logout

Syntax **logout**

Context <GLOBAL>

Description This command logs out of the router session.

When the **logout** command is issued from the console, the login prompt is displayed, and any log IDs directed to the console are discarded. When the console session resumes (regardless of the user), the log output to the console resumes.

When a Telnet session is terminated from a **logout** command, all log IDs directed to the session are removed. When a user logs back in, the log IDs must be re-created.

password

Syntax	password
Context	<ROOT>
Description	<p>This command changes a user CLI login password.</p> <p>When a user logs in after the administrator forces a new-password-at-login, or the password has expired (aging), then this command is automatically invoked.</p> <p>When invoked, the user is prompted to enter the old password, the new password, and then the new password again to verify the correct input.</p> <p>If a user fails to create a new password after the administrator forces a new-password-at-login or after the password has expired, the user is not allowed access to the CLI.</p>

ping

Syntax	ping { <i>ip-address</i> <i>dns-name</i> } [rapid detail] [ttl <i>time-to-live</i>] [tos <i>type-of-service</i>] [size <i>bytes</i>] [pattern <i>pattern</i>] [source <i>ip-address</i>] [interval <i>seconds</i>] [{ next-hop <i>ip-address</i> } { interface <i>interface-name</i> } bypass-routing] [count <i>requests</i>] [do-not-fragment] [router [<i>router-instance</i>]] [timeout <i>timeout</i>]
Context	<GLOBAL>
Description	This command is the TCP/IP utility to verify IP reachability.
Parameters	<p><i>ip-address</i> <i>dns-name</i> — The remote host to ping. The IP address or the DNS name (if DNS name resolution is configured) can be specified.</p> <p>rapid detail — The rapid parameter specifies to send ping requests rapidly. The results are reported in a single message, not in individual messages for each ping request. By default, five ping requests are sent before the results are reported. To change the number of requests, include the count option.</p> <p>The detail parameter includes in the output the interface on which the ping reply was received.</p>

Example output:

```
*A:ALU-7210# ping 192.xxx.xxx.xxx
PING 192.xxx.xxx.xxx 56 data bytes
64 bytes from 192.xxx.xxx.xxx: icmp_seq=1 ttl=64 time<10ms.
64 bytes from 1192.xxx.xxx.xxx: icmp_seq=2 ttl=64 time<10ms.
64 bytes from 192.xxx.xxx.xxx: icmp_seq=3 ttl=64 time<10ms.
64 bytes from 192.xxx.xxx.xxx: icmp_seq=4 ttl=64 time<10ms.
64 bytes from 192.xxx.xxx.xxx: icmp_seq=5 ttl=64 time<10ms.

---- 192.xxx.xxx.xxx PING Statistics ----
5 packets transmitted, 5 packets received, 0.00% packet loss
round-trip min < 10ms, avg < 10ms, max < 10ms, stddev < 10ms
*A:ALU-7210#
```

tll *time-to-live* — The IP Time To Live (TTL) value to include in the ping request, expressed as a decimal integer.

Values 0 — 128

tos *type-of-service* — The type-of-service (TOS) bits in the IP header of the ping packets, expressed as a decimal integer.

Values 0 — 255

size *bytes* — The size in bytes of the ping request packets.

Default 56 bytes (actually 64 bytes because 8 bytes of ICMP header data are added to the packet)

Values 0 — 65507

pattern *pattern* — A 16-bit pattern string to include in the ping packet, expressed as a decimal integer.

Values 0 — 65535

source *ip-address* — The source IP address to use in the ping requests in dotted decimal notation.

Default The IP address of the egress IP interface.

Values 0.0.0.0 — 255.255.255.255

interval *seconds* — The interval in seconds between consecutive ping requests, expressed as a decimal integer.

Default 1

Values 1 — 10000

next-hop *ip-address* — This option disregards the routing table and will send this packet to the specified next hop address. This address must be on an adjacent router that is attached to a subnet that is common between this and the next-hop router.

Default Per the routing table.

Values A valid IP next hop IP address.

interface *interface-name* — Specify the interface name.

bypass-routing — Send the ping request to a host on a directly attached network bypassing the routing table. The host must be on a directly attached network or an error is returned.

count *requests* — The number of ping requests to send to the remote host, expressed as a decimal integer.

Default 5

Values 1 — 10000

do-not-fragment — Specifies that the request frame should not be fragmented. This option is particularly useful in combination with the size parameter for maximum MTU determination.

router *router-instance* — Specify the router name or service ID.

Default Base

Values *router-name:* Base, management
service-id: 1 — 2147483647

timeout *timeout* — Specify the timeout in seconds.

Default 5

Values 1 — 10

pwc

Syntax **pwc** [**previous**]

Context <GLOBAL>

Description This command displays the present or previous working context of the CLI session. The **pwc** command provides a user who is in the process of dynamically configuring a chassis a way to display the current or previous working context of the CLI session. The **pwc** command displays a list of the CLI nodes that hierarchically define the current context of the CLI instance of the user. For example,

```
A:Dut-G>config>service>vpls# pwc
```

```
-----
Present Working Context :
-----
```

```
<root>
  configure
  service
  vpls 1
-----
```

```
A:Dut-G>config>service>vpls#
```

When the **previous** keyword is specified, the previous context displays. This is the context entered by the CLI parser upon execution of the **exit** command. The current context of the CLI is not affected by the **pwc** command.

Parameters **previous** — Specifies to display the previous present working context.

sleep

Syntax **sleep** [*seconds*]

Context <GLOBAL>

Description This command causes the console session to pause operation (sleep) for 1 second (default) or for the specified number of seconds.

Parameters *seconds* — The number of seconds for the console session to sleep, expressed as a decimal integer.

Default 1

Values 1 — 100

ssh

Syntax	ssh [<i>ip-addr</i> <i>dns-name</i> <i>username @ip-addr</i>] [- <i>I username</i>] [- <i>v SSH-version</i>] [router <i>router-instance</i>] service-name <i>service-name</i>]									
Context	<GLOBAL>									
Description	<p>This command initiates a client SSH session with the remote host and is independent from the administrative or operational state of the SSH server. However, to be the target of an SSH session, the SSH server must be operational.</p> <p>Quitting SSH while in the process of authentication is accomplished by either executing a ctrl-c or "~." (tilde and dot) assuming the "~" is the default escape character for SSH session.</p>									
Parameters	<p><i>ip-address</i> <i>host-name</i> — The remote host to which to open an SSH session. The IP address or the DNS name (providing DNS name resolution is configured) can be specified.</p> <p>-<i>I user</i> — The user name to use when opening the SSH session.</p> <p>router <i>router-instance</i> — Specify the router name or service ID.</p> <table><tr><td>Values</td><td><i>router-name:</i></td><td>Base, management</td></tr><tr><td></td><td><i>service-id:</i></td><td>1 — 2147483647</td></tr><tr><td>Default</td><td></td><td>Base</td></tr></table>	Values	<i>router-name:</i>	Base, management		<i>service-id:</i>	1 — 2147483647	Default		Base
Values	<i>router-name:</i>	Base, management								
	<i>service-id:</i>	1 — 2147483647								
Default		Base								

telnet

Syntax	telnet [<i>ip-address</i> <i>dns-name</i>] [<i>port</i>] [router <i>router-instance</i>]																		
Context	<GLOBAL>																		
Description	<p>This command opens a Telnet session to a remote host. Telnet servers in networks limit a Telnet clients to three retries to login. The Telnet server disconnects the Telnet client session after three retries. The number of retry attempts for a Telnet client session is not user-configurable.</p>																		
Parameters	<p><i>ip-address</i> — The IP address or the DNS name (providing DNS name resolution is configured) can be specified.</p> <table><tr><td>Values</td><td><i>ipv4-address</i></td><td>a.b.c.d</td></tr></table> <p>dns-name — Specify the DNS name (if DNS name resolution is configured).</p> <table><tr><td>Values</td><td>128 characters maximum</td></tr></table> <p><i>port</i> — The TCP port number to use to Telnet to the remote host, expressed as a decimal integer.</p> <table><tr><td>Default</td><td>23</td></tr><tr><td>Values</td><td>1 — 65535</td></tr></table> <p>router <i>router-instance</i> — Specify the router name or service ID.</p> <table><tr><td>Values</td><td><i>router-name:</i></td><td>Base, management</td></tr><tr><td></td><td><i>service-id:</i></td><td>1 — 2147483647</td></tr><tr><td>Default</td><td></td><td>Base</td></tr></table>	Values	<i>ipv4-address</i>	a.b.c.d	Values	128 characters maximum	Default	23	Values	1 — 65535	Values	<i>router-name:</i>	Base, management		<i>service-id:</i>	1 — 2147483647	Default		Base
Values	<i>ipv4-address</i>	a.b.c.d																	
Values	128 characters maximum																		
Default	23																		
Values	1 — 65535																		
Values	<i>router-name:</i>	Base, management																	
	<i>service-id:</i>	1 — 2147483647																	
Default		Base																	

traceroute

Syntax	traceroute { <i>ip-address</i> <i>dns-name</i> } [ttl <i>ttl</i>] [wait <i>milliseconds</i>] [no-dns] [source <i>ip-address</i>] [tos <i>type-of-service</i>] [router <i>router-instance</i>]															
Context	<GLOBAL>															
Description	The TCP/IP traceroute utility determines the route to a destination address. Note that aborting a traceroute with the <Ctrl-C> command could require issuing a second <Ctrl-C> command before the prompt is returned. <pre>A:ALA-1# traceroute 192.168.xx.xx4 traceroute to 192.168.xx.xx4, 30 hops max, 40 byte packets 1 192.168.xx.xx4 0.000 ms 0.000 ms 0.000 ms A:ALA-1#</pre>															
Parameters	<i>ip-address</i> <i>dns-name</i> — The remote address to traceroute. The IP address or the DNS name (if DNS name resolution is configured) can be specified. <table> <tr> <td>Values</td> <td><i>ipv4-address</i></td> <td><i>a.b.c.d</i></td> </tr> <tr> <td></td> <td><i>dns-name</i></td> <td>128 characters maximum</td> </tr> </table> <p>ttl <i>ttl</i> — The maximum Time-To-Live (TTL) value to include in the traceroute request, expressed as a decimal integer. Values 1 — 255</p> <p>wait <i>milliseconds</i> — The time in milliseconds to wait for a response to a probe, expressed as a decimal integer. Default 5000 Values 1 — 60000</p> <p>no-dns — When the no-dns keyword is specified, a DNS lookup for the specified host name will not be performed. Default DNS lookups are performed</p> <p>source <i>ip-address</i> — The source IP address to use as the source of the probe packets in dotted decimal notation. If the IP address is not one of the device's interfaces, an error is returned.</p> <p>tos <i>type-of-service</i> — The type-of-service (TOS) bits in the IP header of the probe packets, expressed as a decimal integer. Values 0 — 255</p> <p>router <i>router-instance</i> — Specifies the router name or service ID. <table> <tr> <td>Values</td> <td><i>router-name:</i></td> <td>Base, management</td> </tr> <tr> <td></td> <td><i>service-id:</i></td> <td>1 — 2147483647</td> </tr> <tr> <td>Default</td> <td></td> <td>Base</td> </tr> </table></p>	Values	<i>ipv4-address</i>	<i>a.b.c.d</i>		<i>dns-name</i>	128 characters maximum	Values	<i>router-name:</i>	Base, management		<i>service-id:</i>	1 — 2147483647	Default		Base
Values	<i>ipv4-address</i>	<i>a.b.c.d</i>														
	<i>dns-name</i>	128 characters maximum														
Values	<i>router-name:</i>	Base, management														
	<i>service-id:</i>	1 — 2147483647														
Default		Base														

tree

Syntax	tree [detail]
Context	<GLOBAL>
Description	This command displays the command hierarchy structure from the present working context.
Parameters	detail — Includes parameter information for each command displayed in the tree output.

write

Syntax	write {user broadcast} message-string
Context	<GLOBAL>
Description	This command sends a console message to a specific user or to all users with active console sessions.
Parameters	<i>user</i> — The name of a user with an active console session to which to send a console message. Values Any valid CLI username broadcast — Specifies that the <i>message-string</i> is to be sent to all users logged into the router. <i>message-string</i> — The message string to send. Allowed values are any string up to 250 characters long composed of printable, 7-bit ASCII characters. If the string contains special characters (#, \$, spaces, etc.), the entire string must be enclosed within double quotes.

CLI Environment Commands

alias

Syntax	alias <i>alias-name</i> <i>alias-command-line</i> no alias <i>alias-name</i>
Context	environment
Description	This command enables the substitution of a command line by an alias. Use the alias command to create alternative or easier to remember/understand names for an entity or command string. If the string contains special characters (#, \$, spaces, etc.), the entire string must be enclosed within double quotes. Only a single command can be present in the command string. The alias command can be entered in any context but must be created in the root>environment context. For example, to create an alias named soi to display OSPF interfaces, enter: alias soi "show router ospf interface"
Parameters	<i>alias-name</i> — The alias name. Do not use a valid command string for the alias. If the alias specified is an actual command, this causes the command to be replaced by the alias. <i>alias-command-line</i> — The command line to be associated.

create

Syntax	[no] create
Context	environment
Description	By default, the create command is required to create a new OS entity. The no form of the command disables requiring the create keyword.
Default	create — The create keyword is required.

more

Syntax	[no] more
Context	environment
Description	This command enables per-screen CLI output, meaning that the output is displayed on a screen-by-screen basis. The terminal screen length can be modified with the terminal command. The following prompt appears at the end of each screen of paginated output: Press any key to continue (Q to quit) The no form of the command displays the output all at once. If the output length is longer than one screen, the entire output will be displayed, which may scroll the screen.

Default **more** — CLI output pauses at the end of each screen waiting for the user input to continue.

reduced-prompt

Syntax **reduced-prompt** [*number of nodes in prompt*]
no reduced-prompt

Context environment

Description This command configures the maximum number of higher CLI context levels to display in the CLI prompt for the current CLI session. This command is useful when configuring features that are several node levels deep, causing the CLI prompt to become too long. By default, the CLI prompt displays the system name and the complete context in the CLI. The number of *nodes* specified indicates the number of higher-level contexts that can be displayed in the prompt. For example, if reduced prompt is set to 2, the two highest contexts from the present working context are displayed by name with the hidden (reduced) contexts compressed into an ellipsis (“...”).

```
A:ALA-1>environment# reduced-prompt 2
A:ALA-1>vonfig>router# interface to-103
A:ALA-1>...router>if#
```

Note that the setting is not saved in the configuration. It must be reset for each CLI session or stored in an **exec** script file.

The **no** form of the command reverts to the default.

Default **no reduced-prompt** — Displays all context nodes in the CLI prompt.

Parameters *number of nodes in prompt* — The maximum number of higher-level nodes displayed by name in the prompt, expressed as a decimal integer.

Default 2

Values 0 — 15

saved-ind-prompt

Syntax [**no**] **saved-ind-prompt**

Context environment

Description This command enables saved indicator in the prompt. When changes are made to the configuration file a “*” appears in the prompt string indicating that the changes have not been saved. When an admin save command is executed the “*” disappears.

```
*A:ALA-48# admin save
Writing file to ftp://128.251.10.43/./sim48/sim48-config.cfg
Saving configuration .... Completed.
A:ALA-48#
```

terminal

Syntax	terminal no terminal
Context	environment
Description	This command enables the context to configure the terminal screen length for the current CLI session.

length

Syntax	length <i>lines</i>
Context	environment>terminal
Default	24 — Terminal dimensions are set to 24 lines long by 80 characters wide.
Parameters	<i>lines</i> — The number of lines for the terminal screen length, expressed as a decimal integer.
	Values 1 — 512

time-display

Syntax	time-display { local utc }
Context	environment
Description	<p>This command displays time stamps in the CLI session based on local time or Coordinated Universal Time (UTC).</p> <p>The system keeps time internally in UTC and is capable of displaying the time in either UTC or local time based on the time zone configured.</p> <p>This configuration command is only valid for times displayed in the current CLI session. This includes displays of event logs, traps and all other places where a time stamp is displayed.</p> <p>In general all time stamps are shown in the time selected. This includes log entries destined for console/session, memory, or SNMP logs. Log files on compact flash are maintained and displayed in UTC format.</p>
Default	time-display local — Displays time stamps based on the local time.

Monitor CLI Commands

filter

Syntax	filter
Context	monitor
Description	This command enables the context to configure criteria to monitor IP and MAC filter statistics.

ip

Syntax	ip <i>ip-filter-id</i> entry <i>entry-id</i> [interval <i>seconds</i>] [repeat <i>repeat</i>] [absolute rate]
Context	monitor>filter
Description	<p>This command enables IP filter monitoring. The statistical information for the specified IP filter entry displays at the configured interval until the configured count is reached.</p> <p>The first screen displays the current statistics related to the specified IP filter. The subsequent statistical information listed for each interval is displayed as a delta to the previous display. When the keyword rate is specified, the "rate per second" for each statistic is displayed instead of the delta.</p> <p>Monitor commands are similar to show commands but only statistical information displays. Monitor commands display the selected statistics according to the configured number of times at the interval specified.</p>
Parameters	<p><i>ip-filter-id</i> — Displays detailed information for the specified filter ID and its filter entries.</p> <p>Values 1 — 65535</p> <p>entry <i>entry-id</i> — Displays information on the specified filter entry ID for the specified filter ID only.</p> <p>Values 1 — 65535</p> <p>interval <i>seconds</i> — Configures the interval for each display in seconds.</p> <p>Default 5 seconds</p> <p>Values 3 — 60</p> <p>repeat <i>repeat</i> — Configures how many times the command is repeated.</p> <p>Default 10</p> <p>Values 1 — 999</p> <p>absolute — When the absolute keyword is specified, the raw statistics are displayed, without processing. No calculations are performed on the delta or rate statistics.</p> <p>rate — When the rate keyword is specified, the rate-per-second for each statistic is displayed instead of the delta.</p>

Sample Output

```

A:ALA-1>monitor# filter ip 10 entry 1 interval 3 repeat 3 absolute
=====
Monitor statistics for IP filter 10 entry 1
=====
At time t = 0 sec (Base Statistics)
-----
Ing. Matches: 0                               Egr. Matches   : 0
-----
At time t = 3 sec (Mode: Absolute)
-----
Ing. Matches: 0                               Egr. Matches   : 0
-----
At time t = 6 sec (Mode: Absolute)
-----
Ing. Matches: 0                               Egr. Matches   : 0
-----
At time t = 9 sec (Mode: Absolute)
-----
Ing. Matches: 0                               Egr. Matches   : 0
=====
A:ALA-1>monitor#

```

```

A:ALA-1>monitor# filter ip 10 entry 1 interval 3 repeat 3 rate
=====
Monitor statistics for IP filter 10 entry 1
=====
At time t = 0 sec (Base Statistics)
-----
Ing. Matches: 0                               Egr. Matches   : 0
-----
At time t = 3 sec (Mode: Rate)
-----
Ing. Matches: 0                               Egr. Matches   : 0
-----
At time t = 6 sec (Mode: Rate)
-----
Ing. Matches: 0                               Egr. Matches   : 0
-----
At time t = 9 sec (Mode: Rate)
-----
Ing. Matches: 0                               Egr. Matches   : 0
=====
A:ALA-1>monitor#

```

mac

Syntax `mac mac-filter-id entry entry-id [interval seconds] [repeat repeat] [absolute | rate]`

Context monitor>filter

Description This command enables MAC filter monitoring. The statistical information for the specified MAC filter entry displays at the configured interval until the configured count is reached.

The first screen displays the current statistics related to the specified MAC filter. The subsequent statistical information listed for each interval is displayed as a delta to the previous display. When the keyword **rate** is specified, the "rate per second" for each statistic is displayed instead of the delta.

Monitor commands are similar to **show** commands but only statistical information displays. Monitor commands display the selected statistics according to the configured number of times at the interval specified.

Parameters *mac-filter-id* — The MAC filter policy ID.

Values 1 — 65535

entry entry-id — Displays information on the specified filter entry ID for the specified filter ID only.

Values 1 — 65535

interval seconds — Configures the interval for each display in seconds.

Default 5 seconds

Values 3 — 60

repeat repeat — Configures how many times the command is repeated.

Default 10

Values 1 — 999

absolute — When the **absolute** keyword is specified, the raw statistics are displayed, without processing. No calculations are performed on the delta or rate statistics.

rate — When the **rate** keyword is specified, the rate-per-second for each statistic is displayed instead of the delta.

Sample Output

```
A:ALA-1>monitor>filter# mac 50 entry 10 interval 3 repeat 3 absolute
=====
Monitor statistics for Mac filter 50 entry 10
=====
At time t = 0 sec (Base Statistics)
-----
Ing. Matches: 0                               Egr. Matches   : 0
-----
At time t = 3 sec (Mode: Absolute)
-----
Ing. Matches: 0                               Egr. Matches   : 0
-----
```

```

At time t = 6 sec (Mode: Absolute)
-----
Ing. Matches: 0                               Egr. Matches   : 0
-----
At time t = 9 sec (Mode: Absolute)
-----
Ing. Matches: 0                               Egr. Matches   : 0
=====

A:ALA-1>monitor>filter# mac 50 entry 10 interval 3 repeat 3 rate
=====
Monitor statistics for Mac filter 50 entry 10
=====
At time t = 0 sec (Base Statistics)
-----
Ing. Matches: 0                               Egr. Matches   : 0
-----
At time t = 3 sec (Mode: Rate)
-----
Ing. Matches: 0                               Egr. Matches   : 0
-----
At time t = 6 sec (Mode: Rate)
-----
Ing. Matches: 0                               Egr. Matches   : 0
-----
At time t = 9 sec (Mode: Rate)
-----
Ing. Matches: 0                               Egr. Matches   : 0
=====
A:ALA-1>monitor>filter#

```

lag

- Syntax** `lag lag-id [lag-id...(up to 5 max)] [interval seconds] [repeat repeat#] [absolute | rate]`
- Context** monitor
- Description** This command monitors traffic statistics for Link Aggregation Group (LAG) ports. Statistical information for the specified LAG ID(s) displays at the configured interval until the configured count is reached.
- The first screen displays the current statistics related to the specified LAG ID. The subsequent statistical information listed for each interval is displayed as a delta to the previous display. When the keyword **rate** is specified, the “rate per second” for each statistic is displayed instead of the delta.
- Monitor commands are similar to **show** commands but only statistical information displays. Monitor commands display the selected statistics according to the configured number of times at the interval specified.
- Parameters** *lag-id* — The number of the LAG.
- Default** none — The LAG ID value must be specified.
 - Values** 1 — 6
- interval seconds* — Configures the interval for each display in seconds.
- Default** 5 seconds
 - Values** 3 — 60

repeat repeat — Configures how many times the command is repeated.

Default 10

Values 1 — 999

absolute — When the **absolute** keyword is specified, the raw statistics are displayed, without processing. No calculations are performed on the delta or rate statistics.

rate — When the **rate** keyword is specified, the rate-per-second for each statistic is displayed instead of the delta.

Sample Output

```
A:ALA-12# monitor lag 2
=====
Monitor statistics for LAG ID 2
=====
Port-id      Input      Input      Output      Output      Input      Output
             Bytes      Packets    Bytes      Packets     Errors     Errors
-----
At time t = 0 sec (Base Statistics)
-----
1/1/1        2168900    26450      64          1           0           0
1/1/2        10677318  125610     2273750     26439       0           0
1/1/3        2168490    26445      0           0           0           0
-----
Totals       15014708  178505     2273814     26440       0           0
-----
At time t = 5 sec (Mode: Delta)
-----
1/1/1        0          0          0           0           0           0
1/1/2        258        3          86          1           0           0
1/1/3        82         1          0           0           0           0
-----
Totals       340        4          86          1           0           0
=====
A:ALA-12#
```

management-access-filter

Syntax **management-access-filter**

Context monitor

Description This command enables the context to monitor management-access filters. These filters are configured in the **config>system>security>mgmt-access-filter** context.

port

- Syntax** `port port-id [port-id...(up to 5 max)] [interval seconds] [repeat repeat] [absolute | rate]`
- Context** monitor
- Description** This command enables port traffic monitoring. The specified port(s) statistical information displays at the configured interval until the configured count is reached.
- The first screen displays the current statistics related to the specified port(s). The subsequent statistical information listed for each interval is displayed as a delta to the previous display. When the keyword **rate** is specified, the "rate per second" for each statistic is displayed instead of the delta.
- Monitor commands are similar to **show** commands but only statistical information displays. Monitor commands display the selected statistics according to the configured number of times at the interval specified.
- Parameters**
- port port-id** — Specify up to 5 port IDs.
 - interval seconds** — Configures the interval for each display in seconds.
 - Default** 5 seconds
 - Values** 3 — 60
 - repeat repeat** — Configures how many times the command is repeated.
 - Default** 10
 - Values** 1 — 999
 - absolute** — When the **absolute** keyword is specified, the raw statistics are displayed, without processing. No calculations are performed on the delta or rate statistics.
 - rate** — When the **rate** keyword is specified, the rate-per-second for each statistic is displayed instead of the delta.

Sample Output

```
A:ALA-12>monitor# port 1/1/4 interval 3 repeat 3 absolute
=====
Monitor statistics for Port 1/1/4
=====
-----
Input                                     Output
-----
At time t = 0 sec (Base Statistics)
-----
Octets                                     0                                     0
Packets                                    39                                    175
Errors                                     0                                     0
-----
At time t = 3 sec (Mode: Absolute)
-----
Octets                                     0                                     0
Packets                                    39                                    175
Errors                                     0                                     0
-----
At time t = 6 sec (Mode: Absolute)
-----
```

```

Octets          0          0
Packets        39         175
Errors          0          0
-----
At time t = 9 sec (Mode: Absolute)
-----
Octets          0          0
Packets        39         175
Errors          0          0
=====
A:ALA-12>monitor#

A:ALA-12>monitor# port 1/1/4 interval 3 repeat 3 rate
=====
Monitor statistics for Port 1/1/4
=====
                               Input          Output
-----
At time t = 0 sec (Base Statistics)
-----
Octets          0          0
Packets        39         175
Errors          0          0
-----
At time t = 3 sec (Mode: Rate)
-----
Octets          0          0
Packets         0          0
Errors          0          0
-----
At time t = 6 sec (Mode: Rate)
-----
Octets          0          0
Packets         0          0
Errors          0          0
-----
At time t = 9 sec (Mode: Rate)
-----
Octets          0          0
Packets         0          0
Errors          0          0
=====
A:ALA-12>monitor#

```

service

- Syntax** **service**
- Context** monitor
- Description** This command enables the context to configure criteria to monitor specific service SAP criteria.

id

Syntax	id <i>service-id</i>
Context	monitor>service
Description	<p>This command displays statistics for a specific service, specified by the <i>service-id</i>, at the configured interval until the configured count is reached.</p> <p>The first screen displays the current statistics related to the <i>service-id</i>. The subsequent statistical information listed for each interval is displayed as a delta to the previous display. When the keyword rate is specified, the "rate per second" for each statistic is displayed instead of the delta.</p> <p>Monitor commands are similar to show commands but only statistical information displays. Monitor commands display the selected statistics according to the configured number of times at the interval specified.</p>
Parameters	<i>service-id</i> — The unique service identification number which identifies the service in the service domain.

sap

Syntax	sap <i>sap-id</i> [interval <i>seconds</i>] [repeat <i>repeat</i>] [absolute rate]			
Context	monitor>service>id <i>service-id</i>			
Description	<p>This command monitors statistics for a SAP associated with this service.</p> <p>This command displays statistics for a specific SAP, identified by the <i>port-id</i> and encapsulation value, at the configured interval until the configured count is reached.</p> <p>The first screen displays the current statistics related to the SAP. The subsequent statistical information listed for each interval is displayed as a delta to the previous display. When the keyword rate is specified, the "rate per second" for each statistic is displayed instead of the delta.</p> <p>Monitor commands are similar to show commands but only statistical information displays. Monitor commands display the selected statistics according to the configured number of times at the interval specified.</p>			
Parameters	<p><i>sap-id</i> — Specifies the physical port identifier portion of the SAP definition.</p> <table> <tr> <td>Values</td> <td><i>sap-id</i>:</td> <td> null [port-id lag-id] dot1q [port-id lag-id]:* qtag qinq [port-id lag-id]:qtag1.qtag2 port-id slot/mda/port lag-id lag-id lag keyword id 1 — 200 qtag1 0 — 4094 qtag2 *, 0 — 4094 dlci 16 — 022 </td> </tr> </table> <p><i>port-id</i> — Specifies the physical port ID in the <i>slot/mda/port</i> format.</p>	Values	<i>sap-id</i> :	null [port-id lag-id] dot1q [port-id lag-id]:* qtag qinq [port-id lag-id]:qtag1.qtag2 port-id slot/mda/port lag-id lag-id lag keyword id 1 — 200 qtag1 0 — 4094 qtag2 *, 0 — 4094 dlci 16 — 022
Values	<i>sap-id</i> :	null [port-id lag-id] dot1q [port-id lag-id]:* qtag qinq [port-id lag-id]:qtag1.qtag2 port-id slot/mda/port lag-id lag-id lag keyword id 1 — 200 qtag1 0 — 4094 qtag2 *, 0 — 4094 dlci 16 — 022		

If the card in the slot has Media Dependent Adapters (MDAs) installed, the *port-id* must be in the slot_number/MDA_number/port_number format. For example 1/2/3 specifies port 3 on MDA 2 in slot 1.

qtag1, *qtag2* — Specifies the encapsulation value used to identify the SAP on the port or sub-port. If this parameter is not specifically defined, the default value is 0.

Values *qtag1*: 0 — 4094
 qtag2: * | 0 — 4094

The values depends on the encapsulation type configured for the interface. The following table describes the allowed values for the port and encapsulation types.

Port Type	Encap-Type	Allowed Values	Comments
Ethernet	Null	0	The SAP is identified by the port.
Ethernet	Dot1q	0 — 4094	The SAP is identified by the 802.1Q tag on the port. Note that a 0 <i>qtag1</i> value also accepts untagged packets on the dot1q port.
Ethernet	QinQ	<i>qtag1</i> : 0 — 4094 <i>qtag2</i> : 0 — 4094	The SAP is identified by two 802.1Q tags on the port. Note that a 0 <i>qtag1</i> value also accepts untagged packets on the dot1q port.

interval *seconds* — Configures the interval for each display in seconds.

Default 11 seconds

Values 11 — 60

repeat *repeat* — Configures how many times the command is repeated.

Default 10

Values 1 — 999

absolute — When the **absolute** keyword is specified, the absolute rate-per-second value for each statistic is displayed.

rate — When the **rate** keyword is specified, the rate-per-second for each statistic is displayed instead of the delta.

Sample Output

```
A:7210SAS-E>monitor>service>id# sap 1/1/1:100
=====
Monitor statistics for Service 10000 SAP 1/1/1:100
=====
-----
At time t = 110 sec (Mode: Delta)
-----
-----
Ingress QoS Classifier Usage
-----
Classifiers Allocated: 16 Meters Allocated : 8
Classifiers Used : 2 Meters Used : 2
-----
```

Sap Statistics

```
-----  
                Packets Octets  
Ingress Stats: 1013264 0  
Egress Stats: 163674 0  
-----
```

Sap STP Statistics

```
-----  
Forward transitions : 0 Bad BPDUs rcvd : 0  
Cfg BPDUs rcvd : 0 Cfg BPDUs tx : 0  
TCN BPDUs rcvd : 0 TCN BPDUs tx : 0  
RST BPDUs rcvd : 0 RST BPDUs tx : 0  
MST BPDUs rcvd : 0 MST BPDUs tx : 0  
-----
```

Sap per Meter Stats

```
-----  
                Packets Octets  
Ingress Meter 1 (Unicast)  
For. InProf : 0 0  
For. OutProf : 210645 0  
Ingress Meter 11 (Multipoint)  
For. InProf : 0 0  
For. OutProf : 87238 0  
=====
```

```
A:7210SAS-E>monitor>service>id#
```

Show Commands

alias

- Syntax** **alias**
- Context** <root>
- Description** This command displays a list of existing aliases.
- Output** **Show Alias Fields** — The following table describes alias output fields.

Table 11: Show Alias Output Fields

Label	Description
Alias-Name	Displays the name of the alias.
Alias-command-name	The command and parameter syntax that define the alias.
Number of aliases	The total number of aliases configured on the router.

Sample Output

```
A:ALA-103>config>system# show alias
=====
Alias-Name                Alias-command-name
=====
sri                       show router interface
sse                       show service service-using epipe
ssvpls                   show service service-using vpls
ssi                       show service service-using ies
-----
Number of aliases : 5
=====
A:ALA-103>config>system#
```

File System Management

In This Chapter

This chapter provides information about file system management.

Topics in this chapter include:

- [The File System on page 78](#)
 - [Compact Flash Devices on page 78](#)
 - [URLs on page 79](#)
 - [Wildcards on page 80](#)
- [File Management Tasks on page 81](#)
 - [Modifying File Attributes on page 81](#)
 - [Creating Directories on page 82](#)
 - [Copying Files on page 83](#)
 - [Moving Files on page 84](#)
 - [Removing Files and Deleting Directories on page 84](#)
 - [Displaying Directory and File Information on page 85](#)

The File System

The 7210 SAS file system is used to store files used and generated by the system, for example, image files, configuration files, logging files and accounting files.

The file commands allow you to copy, create, move, and delete files and directories, navigate to a different directory, display file or directory contents and the image version.

Compact Flash Devices

The file system is based on a DOS file system. In 7210 SAS E, the node has a single compact flash (internal). The name of this compact flash device is “cf1:”,

The above device names are *relative* device names as they refer to the devices local to the control processor with the current console session. As in the DOS file system, the colon (“:”) at the end of the name indicates it is a device.

The compact flash devices on the 7210 SAS devices are non-removable.

URLs

The arguments for the 7210 SAS OS file commands are modeled after standard universal resource locator (URL). A URL refers to a file (a *file-url*) or a directory (a *directory-url*).

7210 SAS OS supports operations on both the local file system and on remote files. For the purposes of categorizing the applicability of commands to local and remote file operations, URLs are divided into three types of URLs: local, ftp and tftp. The syntax for each of the URL types are listed in [Table 12](#).

Table 12: URL Types and Syntax

URL Type	Syntax	Notes
<i>local-url</i>	<i>[cflash-id:\]path</i>	<i>cflash-id</i> is the compact flash device name. Values: cf1:
<i>ftp-url</i>	ftp:// <i>[username[:password]@]host/path</i>	An absolute ftp path from the root of the remote file system. <i>username</i> is the ftp user name <i>password</i> is the ftp user password <i>host</i> is the remote host <i>path</i> is the path to the directory or file
	ftp:// <i>[username[:password]@]host./path</i>	A relative ftp path from the user's home directory. Note the period and slash ("./") in this syntax compared to the absolute path.
<i>tftp-url</i>	tftp:// <i>host[/path]/filename</i>	tftp is only supported for operations on file-urls.

The system accepts either forward slash ("/) or backslash ("\) characters to delimit directory and/or filenames in URLs. Similarly, the 7210 SAS OS SCP client application can use either slash or backslash characters, but not all SCP clients treat backslash characters as equivalent to slash characters. In particular, UNIX systems will often times interpret the backslash character as an "escape" character. This can cause problems when using an external SCP client application to send files to the SCP server. If the external system treats the backslash like an escape character, the backslash delimiter will get stripped by the parser and will not be transmitted to the SCP server.

For example, a destination directory specified as "cf1:\dir1\file1" will be transmitted to the SCP server as "cf1:dir1file1" where the backslash escape characters are stripped by the SCP client system before transmission. On systems where the client treats the backslash like an "escape" character, a double backslash "\\) or the forward slash "/" can typically be used to properly delimit directories and the filename.

Wildcards

7210 SAS OS supports the standard DOS wildcard characters. The asterisk (*) can represent zero or more characters in a string of characters, and the question mark (?) can represent any one character.

```

Example: A:ALA-1>file cf1:\ # copy test*.cfg siliconvalley
            cf1:\testfile.cfg
            1 file(s) copied.
A:ALA-1>file cf1:\ # cd siliconvalley
A:ALA-1>file cf1:\siliconvalley\ # dir
            Volume in drive cf1 on slot A has no label.
            Directory of cf1:\siliconvalley\
            05/10/2006 11:32p      <DIR>      .
            05/10/2006 11:14p      <DIR>      ..
            05/10/2006 11:32p                7597 testfile.cfg
                    1 File(s)                7597 bytes.
                    2 Dir(s)                1082368 bytes free.
A:ALA-1>file cf1:\siliconvalley\ #
    
```

All the commands can operate on the local file system. [Table 13](#) indicates which commands also support remote file operations.

Table 13: File Command Local and Remote File System Support

Command	local-url	ftp-url	tftp-url
attrib	X		
cd	X	X	
copy	X	X	X
delete	X	X	
dir	X	X	
md		X	
move	X	X	
rd		X	
scp	source only		
type	X	X	X
version	X	X	X

File Management Tasks

The following sections are basic system tasks that can be performed.

Note that when a file system operation is performed with the copy, delete, move, rd, or scp commands that can potentially delete or overwrite a file system entry, a prompt appears to confirm the action. The **force** keyword performs the copy, delete, move, rd, and scp actions without displaying the confirmation prompt.

- [Modifying File Attributes on page 81](#)
 - [Creating Directories on page 82](#)
 - [Copying Files on page 83](#)
 - [Moving Files on page 84](#)
 - [Removing Files and Deleting Directories on page 84](#)
 - [Displaying Directory and File Information on page 85](#)
-

Modifying File Attributes

The system administrator can change the read-only attribute in the local file. Enter the `attrib` command with no options to display the contents of the directory and the file attributes. Use the CLI syntax displayed below to modify file attributes:

CLI Syntax: `file>`
`attrib [+r | -r] file-url`

The following displays an example of the command syntax:

Example: `# file`
`file cf1:\ # attrib`
`file cf1:\ # attrib +r BOF.SAV`
`file cf1:\ # attrib`

The following displays the file configuration:

```
A:ALA-1>file cf1:\ # attrib
cf1:\bootlog.txt
cf1:\bof.cfg
cf1:\boot.ldr
cf1:\bootlog_prev.txt
cf1:\BOF.SAV
A:ALA-1>file cf1:\ # attrib +r BOF.SAV
A:ALA-1>file cf1:\ # attrib
cf1:\bootlog.txt
cf1:\bof.cfg
cf1:\boot.ldr
cf1:\bootlog_prev.txt
R   cf1:\BOF.SAV
```

Creating Directories

Use the `md` command to create a new directory in the local file system, one level at a time.

Enter the `cd` command to navigate to different directories.

Use the CLI syntax displayed below to modify file attributes:

CLI Syntax: `file>`
`md file-url`

The following displays an example of the command syntax:

Example: `file cf1:\ # md test1`
`file cf1:\ # cd test1`
`file cf1:\test1\ # md test2`
`file cf1:\test1\ # cd test2`
`file cf1:\test1\test2\ # md test3`
`file cf1:\test1\test2\ # cd test3`
`file cf1:\test1\test2\test3 #`

Copying Files

Use the **copy** command to upload or download an image file, configuration file, or other file types to or from a flash card or a TFTP server.

The **scp** command copies files between hosts on a network. It uses SSH for data transfer, and uses the same authentication and provides the same security as SSH.

The source file for the **scp** command must be local. The file must reside on the router. The destination file has to be of the format: `user@host:file-name`. The destination does not need to be local.

Use the CLI syntax displayed below to copy files:

```
CLI Syntax: file>
                copy source-file-url dest-file-url [force]
                scp local-file-url destination-file-url [router router name | ser-
                    vice-id] [force]
```

The following displays an example of the copy command syntax:

```
Example: A:ALA-1>file cf1:\ # copy 104.cfg cf1:\test1\test2\test3\test.cfg
A:ALA-1>file cf1:\ # scp file1 admin@192.168.x.x:cf1:\file1
A:ALA-1>file cf1:\ # scp file2 user2@192.168.x.x:/user2/file2
A:ALA-1>file cf1:\ # scp cf1:/file3 admin@192.168.x.x:cf1:\file3
```

Moving Files

Use the `move` command to move a file or directory from one location to another.

Use the CLI syntax displayed below to move files:

```
CLI Syntax: file>
                move old-file-url new-file-url [force]
```

The following displays an example of the command syntax:

```
Example: A:ALA-1>file cf1:\test1\test2\test3\ # move test.cfg cf1:\test1
            cf1:\test1\test2\test3\test.cfg
A:ALA-1>file cf1:\test1\test2\test3\ # cd ..
A:ALA-1>file cf1:\test1\test2\ # cd ..
A:ALA-1>file cf1:\test1\ # dir

Directory of cf1:\test1\
05/04/2006 07:58a      <DIR>          .
05/04/2006 07:06a      <DIR>          ..
05/04/2006 07:06a      <DIR>          test2
05/04/2006 07:58a                25278 test.cfg
1 File(s)                25278 bytes.
3 Dir(s)                 1056256 bytes free.
A:ALA-1>file cf1:\test1\ #
```

Removing Files and Deleting Directories

Use the `delete` and `rd` commands to delete files and remove directories. Directories must be empty in order to delete them. When file or directories are deleted they cannot be recovered.

Use the CLI syntax displayed below to delete files and remove directories:

```
CLI Syntax: file>
                delete file-url [force]
                rd file-url [force]
```

The following displays an example of the command syntax:

```
A:ALA-1>file cf1:\test1\ # delete test.cfg
A:ALA-1>file cf1:\test1\ # delete abc.cfg
A:ALA-1>file cf1:\test1\test2\ # cd test3
A:ALA-1>file cf1:\test1\test2\test3\ # cd ..
A:ALA-1>file cf1:\test1\test2\ # rd test3
A:ALA-1>file cf1:\test1\test2\ # cd ..
A:ALA-1>file cf1:\test1\ # rd test2
A:ALA-1>file cf1:\test1\ # cd ..
A:ALA-1>file cf1:\ # rd test1
A:ALA-1>file cf1:\ #
```

Displaying Directory and File Information

Use the **dir** command to display a list of files on a file system.

The **type** command displays the contents of a file.

The **version** command displays the version of a cpm.tim or iom.timfile.

Use the CLI syntax displayed below to display directory and file information:

```
CLI Syntax: file>
                dir [file-url]
                type file-url
                version file-url
```

The following displays an example of the command syntax:

```
*A:card-1>file cf1:\ # dir
  Volume in drive cf1 on slot A is /flash.

  Volume in drive cf1 on slot A is formatted as FAT32.

Directory of cf1:\

10/22/2008  10:30a                8849 bootlog.txt
10/22/2008  10:30a                 733 bof.cfg
10/22/2008  10:29a                5531 bootlog_prev.txt
02/01/2001  09:25a            3528373 boot.tim
02/01/2001  09:21a                4860 config.cfg
10/22/2008  11:07a    <DIR>          test1
10/17/2008  07:32p                 724 env.cfg
10/15/2008  03:38p            9499 snake.cfg
                7 File(s)                3558569 bytes.
                1 Dir(s)            53135360 bytes free.
```

File Command Reference

Command Hierarchy

Configuration Commands

file

- **attrib** [+r | -r] *file-url*
- **attrib**
- **cd** [*file-url*]
- **copy** *source-file-url dest-file-url* [**force**]
- **delete** *file-url* [**force**]
- **dir** [*file-url*]
- **format cflash** *cflash-id* [**reliable**]
- **md** *file-url*
- **move** *old-file-url new-file-url* [**force**]
- **rd** *file-url* [**force**]
- **scp** *local-file-url destination-file-url* [**router router-instance**] [**force**]
- **type** *file-url*
- **version** *file-url* [**check**]

Configuration Commands

File Commands

attrib

Syntax	attrib [+r -r] <i>file-url</i> attrib												
Context	file												
Description	<p>This command sets or clears/resets the read-only attribute for a file in the local file system. To list all files and their current attributes enter attrib or attrib x where x is either the filename or a wildcard (*).</p> <p>When an attrib command is entered to list a specific file or all files in a directory, the file's attributes are displayed with or without an "R" preceding the filename. The "R" implies that the +r is set and that the file is read-only. Files without the "R" designation implies that the -r is set and that the file is read-write-all. For example:</p> <pre> ALA-1>file cfl:\ # attrib cfl:\bootlog.txt cfl:\bof.cfg cfl:\boot.ldr cfl:\srl.cfg cfl:\test cfl:\bootlog_prev.txt R cfl:\BOF.SAV </pre>												
Parameters	<p><i>file-url</i> — The URL for the local file.</p> <table> <tr> <td>Values</td> <td><i>local-url</i> <i>remote-url</i>:</td> <td>255 chars max</td> </tr> <tr> <td></td> <td><i>local-url</i>:</td> <td>[<i>cflash-id</i>]/[<i>file-path</i>]</td> </tr> <tr> <td></td> <td><i>remote-url</i></td> <td>[ftp://<i>login:pswd@remote-locn</i>]/[<i>file-path</i>]</td> </tr> <tr> <td></td> <td>cfl:;cfl-A:</td> <td></td> </tr> </table> <p>+r — Sets the read-only attribute on the specified file.</p> <p>-r — Clears/resets the read-only attribute on the specified file.</p>	Values	<i>local-url</i> <i>remote-url</i> :	255 chars max		<i>local-url</i> :	[<i>cflash-id</i>]/[<i>file-path</i>]		<i>remote-url</i>	[ftp:// <i>login:pswd@remote-locn</i>]/[<i>file-path</i>]		cfl:;cfl-A:	
Values	<i>local-url</i> <i>remote-url</i> :	255 chars max											
	<i>local-url</i> :	[<i>cflash-id</i>]/[<i>file-path</i>]											
	<i>remote-url</i>	[ftp:// <i>login:pswd@remote-locn</i>]/[<i>file-path</i>]											
	cfl:;cfl-A:												

cd

Syntax	cd [<i>file-url</i>]
Context	file
Description	This command displays or changes the current working directory in the local file system.

File Commands

Parameters *file-url* — Syntax: `[local-url | remote-url (255 chars max)`
`local-url - [cflash-id/][file-path]`
`remote-url - [{ftp://|tftp://}login:pswd@remote-locn/][file-path]`
`cf1:`

`<none>` — Displays the current working directory.

`..` — Signifies the parent directory. This can be used in place of an actual directory name in a *directory-url*.

directory-url — The destination directory.

copy

Syntax `copy source-file-url dest-file-url [force]`

Context file

Description This command copies a file or all files in a directory from a source URL to a destination URL. At least one of the specified URLs should be a local URL. The optional wildcard (*) can be used to copy multiple files that share a common (partial) prefix and/or (partial) suffix. When a file is copied to a destination with the same file name, the original file is overwritten by the new file specified in the operation. The following prompt appears if the destination file already exists:

“Overwrite destination file (y/n)?”

For example:

To copy a file named **srcfile** in a directory called *test* on *cf1* to a file called **destfile** in a directory called *production* on *cf1*, the syntax is:

```
sr1>file cf1:\ # copy cf2-/test/srcfile/production/destfile
```

To FTP a file named **121201.cfg** in directory *mydir* stored on *cf1* to a network FTP server with IP address 131.12.31.79 in a directory called *backup* with a destination file name of **121201.cfg**, the FTP syntax is:

```
copy /mydir/121201.cfg 131.12.31.79/backup/121201.cfg
```

Parameters *source-file-url* — The location of the source file or directory to be copied.

dest-file-url — The destination of the copied file or directory.

force — Forces an immediate copy of the specified file(s).

file copy force executes the command without displaying a user prompt message.

delete

Syntax `delete file-url [force]`

Context file

Description This command deletes the specified file.

The optional wildcard “*” can be used to delete multiple files that share a common (partial) prefix and/or (partial) suffix. When the wildcard is entered, the following prompt displays for each file that matches the wildcard:

“Delete file <filename> (y/n)?”

file-url — The file name to delete.

Values	<i>local-url</i> <i>remote-url</i> :	255 chars max
	<i>local-url</i> :	[<i>cflash-id</i>]/[<i>file-path</i>]
	<i>remote-url</i>	[ftp:// <i>login:pswd@remote-locn</i>]/[<i>file-path</i>]
	<i>cf1</i> :	

force — Forces an immediate deletion of the specified file(s).

file delete * force deletes all the wildcard matching files without displaying a user prompt message.

dir

Syntax	dir [<i>file-url</i>]
Context	file
Description	This command displays a list of files and subdirectories in a directory.
Parameters	<i>file-url</i> — The path or directory name. Use the <i>file-url</i> with the optional wildcard (*) to reduce the number of files to list.
Default	Lists all files in the present working directory

file

Syntax	file
Context	root
Description	The context to enter and perform file system operations. When entering the file context, the prompt changes to reflect the present working directory. Navigating the file system with the cd .. command results in a changed prompt. The exit all command leaves the file system/file operation context and returns to the <ROOT> CLI context. The state of the present working directory is maintained for the CLI session. Entering the file command returns the cursor to the working directory where the exit command was issued.

File Commands

format

Syntax	format cflash <i>cflash-id</i>
Context	root>file
Description	This command formats the compact flash. The compact flash must be shutdown before starting the format.
Parameters	<i>cflash-id</i> — The compact flash type.
Values	cf1:

md

Syntax	md <i>file-url</i>
Context	file
Description	This command creates a new directory in a file system. Directories can only be created one level at a time.
Parameters	<i>file-url</i> — The directory name to be created.
Values	<i>local-url</i> <i>remote-url</i> : 255 chars max <i>local-url</i> : [<i>cflash-id</i>]/[<i>file-path</i>] <i>remote-url</i> : [ftp:// <i>login:pswd@remote-locn</i>]/[<i>file-path</i>] cf1:

move

Syntax	move <i>old-file-url new-file-url [force]</i>
Context	file
Description	This command moves a local file, system file, or a directory. If the target already exists, the command fails and an error message displays. The following prompt appears if the destination file already exists: “Overwrite destination file (y/n)?”
Parameters	<i>old-file-url</i> — The file or directory to be moved.
Values	<i>local-url</i> <i>remote-url</i> : 255 chars max <i>local-url</i> : [<i>cflash-id</i>]/[<i>file-path</i>] <i>remote-url</i> : [ftp:// <i>login:pswd@remote-locn</i>]/[<i>file-path</i>] cf1:

new-file-url — The new destination to place the *old-file-url*.

Values *local-url* | *remote-url*: 255 chars max
 local-url: [cflash-id/][file-path]
 remote-url [ftp://login:pswd@remote-locn/][file-path]
 cf1:

force — Forces an immediate move of the specified file(s).

file move force executes the command without displaying a user prompt message.

rd

Syntax **rd** *file-url* [**force**]

Context file

Description The **rd** command is used to delete a directory.

If a directory has files and no sub-directories, the **force** option must be used to force delete the directory and files it contains.

Parameters *file-url* — The directory to be removed.

Values *local-url* | *remote-url*: 255 chars max
 local-url: [cflash-id/][file-path]
 remote-url [ftp://login:pswd@remote-locn/][file-path]
 cf1:

force — Forces an immediate deletion of the specified directory.

For example, **rd file-url force** executes the command without displaying a user prompt message.

scp

Syntax **scp** *local-file-url* *destination-file-url* [**router** *router-instance*] [**force**]

Context file

Description This command copies a local file to a remote host file system. It uses **ssh** for data transfer, and uses the same authentication and provides the same security as **ssh**. The following prompt appears:

“Are you sure (y/n)?” The destination must specify a user and a host.

Parameters *local-file-url* — The local source file or directory.

Values [cflash-id/][file-path]: Up to 256 characters.

destination-file-url — The destination file.

Values user@hostname:destination-file

user — The SSH user.

host — The remote host IP address or DNS name.

File Commands

file-path — The destination path.

router-instance — Specify the router name or service ID.

Values	<i>router-name:</i>	Base , management
	<i>service-id:</i>	1 — 2147483647

Default Base

force — Forces an immediate copy of the specified file.

file scp local-file-url destination-file-url [router] force executes the command without displaying a user prompt message.

type

Syntax	type <i>file-url</i>
Context	file
Description	Displays the contents of a text file.
Parameters	<i>file-url</i> — The file contents to display.

version

Syntax	version <i>file-url</i> [check]
Context	file
Description	This command displays the version of a TiMOS file.
Parameters	<i>file-url</i> — The file name of the target file.
Values	local-url remote-url: 255 characters maximum local-url: [<i>cflash-id</i>]/[<i>file-path</i>] remote-url: [{ftp:// tftp://}login:pswd@remote-locn/][<i>file-path</i>] cflash-id: cf1:,
check	— Validates the <i>.tim</i> file.

Boot Options

In This Chapter

This chapter provides information about configuring boot option parameters.

Topics in this chapter include:

- [System Initialization on page 96](#)
 - [Manual Mode on page 99](#)
 - [Auto Init on page 100](#)
 - [Ping Check on page 105](#)
 - [Persistence on page 106](#)
- [Initial System Startup Process Flow on page 107](#)
- [Configuration Notes on page 108](#)

System Initialization

When the system is powered ON it executes the bootstrap image, for example, the boot.tim file, from the file system which is located on a non-removable flash device (cf1:) that is built in to the 7210 SAS-Series router. The boot.tim file is the image that reads and executes the system initialization commands configured in the Boot Option File (BOF). The default behavior is to initially search for the boot.tim file on cf1:. This behavior cannot be modified. If the boot.tim file is not present, or is not a valid loadable file, the Golden bootstrap image is loaded by the bootrom. This image is equivalent to a boot.tim file except that it is present outside the file system and can be updated and checked by means of special CLI commands.

When the system executes boot.tim, provision is given to the user to modify the BOF manually and save it or to boot using existing BOF. The bootstrap image then processes the BOF file present in the flash as explained in [Configuration and Image Loading on page 102](#). The system is shipped to the customer site with a boot.tim file and a Golden bootstrap image, but without a BOF file. When the system is powered ON for the first time, there will be no BOF in the system. Hence, provisions are given to create a new BOF file or alternatively get the BOF file from the network. There are two options:

- Boot by manually creating a BOF file (manual boot).
- Boot by retrieving the BOF file from the network, using DHCP to get the network location of the BOF file (auto init). Auto-init is the default boot procedure if there is no manual-intervention during the first boot.

Note: When the operator executes the **reset** command in the boot loader prompt or **admin reboot auto-init** in the TiMos CLI, 7210 SAS resets the current BOF and reboots.

Note: The operator can manage a 7210 SAS node through an external physical network. Managing a node through an external physical network secures the management network by restricting access to service customers and service data. The 7210 SAS node can be managed through the Out-of-band (OOB) Ethernet management port.

The following is an example of console display output when the boot.tim file is located on *cf1* and the system boots successfully.

```
Alcatel-Lucent 7210 Boot ROM. Copyright 2000-2009 Alcatel-Lucent.
All rights reserved. All use is subject to applicable license agreements.
Running POST tests from ROM
Testing ROM load area...done

Relocating code...Jumping to RAM

Performing second stage RAM test...passed

Board Serial Number is 'SN123456789'
Bootlog started for Version V-0.0.I317
Build V-0.0.I317 bootrom/mpc 7xxx
Built on Tue Jan 6 02:23:14 IST 2009 by panosbld in /panosbld/ws/panos/main
```

```
?Attempting to load from file cfl:/boot.tim
Version L-0.0.I312, Fri Jan 2 04:26:32 IST 2009 by panosbld in /panosbld/ws/panos/main
text:(3002475-->12623392) + data:(550940-->2414128)
Starting at 0xb000000...

Total Memory: 512MB Chassis Type: sas Card Type: badami_7210
TiMOS-L-0.0.I312 boot/mpc ALCATEL SAS-E 7210 Copyright (c) 2000-2009 Alcatel-Lucent.
All rights reserved. All use subject to applicable license agreements.
Built on Fri Jan 2 04:26:32 IST 2009 by panosbld in /panosbld/ws/panos/main

TiMOS BOOT LOADER

...
```

Figure 3 displays the bootstrap load process.

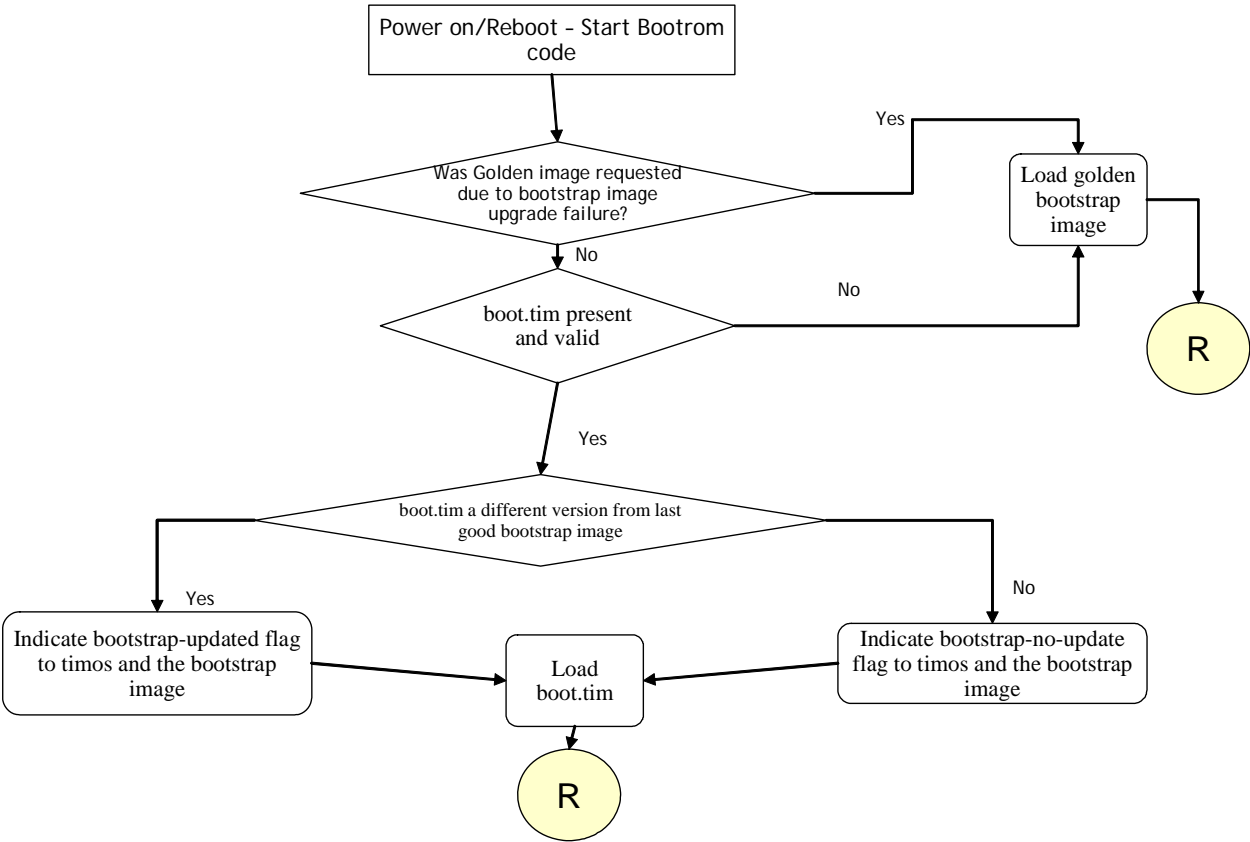


Figure 3: Bootstrap Load Process - System Initialisation - Part I

Figure 4 displays the flash directory structure and file names.

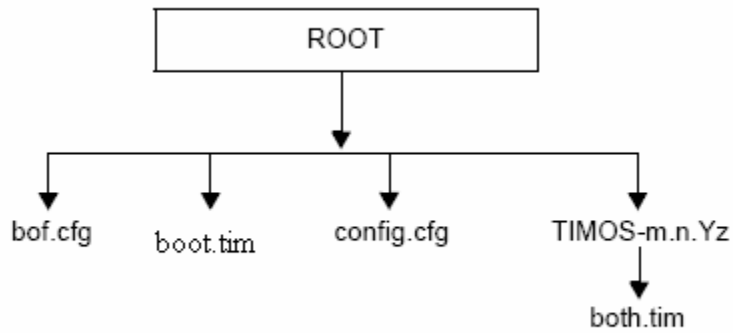


Figure 4: Files on the Flash

Files on the compact flash are:

- bof.cfg — Boot option file
- boot.tim — Bootstrap image
- config.cfg — Default configuration file
- TIMOS-m.n.Yz:
 - m — Major release number
 - n — Minor release number
 - Y: A — Alpha release
 - B — Beta release
 - M — Maintenance release
 - R — Released software
 - z — Version number
- both.tim — CPM and IOM image file

Manual Mode

If the user opts for the manual-mode boot procedure for the first time boot, the required parameters must be specified for a successful system boot. Manual mode configurations require authentication. The default password is **password**. BOF parameters that should be configured include:

- Image path
- Configuration file path
- UplinkA parameters (port number, vlan ID, IP/mask, static route)
- UplinkB parameters (port number, vlan ID, IP/mask, static route)
- eth-mgmt-disable

Provisions to configure two uplinks is given in the BOF for port redundancy. If the image path and configuration file path are local, then the IP address and routing information for uplinkA and uplinkB are not required. The user can optionally obtain IP parameters through DHCP by configuring 0 (zero) for the uplink port's IP address. In this case, the DHCP server should be configured to grant the IP address and the default gateway information used to reach the server where the image and configuration files are present. After the BOF configuration is completed, a BOF with configured parameters is created in the flash that can be used for subsequent reboots. The bootstrap image then processes the BOF parameters in order to boot the system. BOF processing is explained in [Configuration and Image Loading on page 102](#).

The **eth-mgmt-disable** parameter indicates if the out-of-band Ethernet management port is enabled during the boot-up procedure. For a 7210 node which has a previous BOF, the boot process uses the existing parameters for uplink A and uplink B ports to boot the TIMOS image. The OOB port is disabled, by default.

Auto Init

During the first boot or a reboot after the execution of CLI command **admin reboot auto-init**, if the user does not intervene to create the BOF file in the manual mode, the system, by default, goes to auto-init procedure after a “wait” time. The default wait time is 3 seconds. There are two designated ports used for auto init. These are the front panel ports, port 1 and port 2. Auto init requires a DHCP server to be configured in the network which should be reachable by the system. DHCP requests are directed out of one uplink port at a time. All other ports of the system would be down.

If a DHCP server is present in the network, the system expects to receive an IP address, the default gateway information, and BOF file path in the response returned by the DHCP server. Upon receiving these parameters from DHCP server, the system will apply the IP configuration and then download the BOF file from the path given by the DHCP server. The BOF file is then saved into the flash and is used for subsequent reboots. The bootstrap image then processes the BOF parameters in order to boot the system. BOF processing is explained in [Configuration and Image Loading on page 102](#)

The system first attempts to use uplinkA and then uplinkB parameters to receive a successful response from the DHCP server. If there is no response from the DHCP server on both the uplink ports, the boot procedure is restarted, during which the user can opt to enter the manual mode or allow the system to default to auto-init again.

Note: Ethernet management port does not support AutoInit mode. The use of DHCP to obtain the BOF file from the network and other system parameters is currently not supported on Ethernet management port.

Out-of-band (OOB) Ethernet Management Port

An Out-of-band Ethernet port can be used to download the TIMOS image file and the configuration file. In the Autoinit manual mode, if the OOB port is enabled (that is the eth-mgmt-disable is set to “**no**”), the OOB port is used to download the TIMOS image file and configuration file specified in the BOF file, and the system boot is successfully completed. If a system boot fails, the uplink A and uplink B parameters are used to retrieve the TIMOS image and configuration files.

Configuration and Image Loading

The bootstrap image processes the initialization parameters from the BOF. The bootstrap image attempts to locate the configuration file as configured in the BOF. Up to three locations can be configured for the system to search for the configuration file. The locations can be local or remote. The first location searched is the primary configuration location. If not found, the secondary configuration location is searched, and lastly, the tertiary configuration location is searched. If the configuration file is in a remote location, the bootstrap process saves it on the flash as cf1:/default.cfg. Users must not delete this file or create a file with this name. The configuration file includes chassis, IOM, MDA, and port configurations, as well as system, routing, and service configurations. Like the configuration file, three locations can be configured for the system to search for the files that contains the runtime image. The locations can be local or remote. The first location searched is the primary image location. If not found, the secondary image location is searched, and lastly, the tertiary image location is searched. [Figure 5](#), [Figure 6](#), and [Figure 7](#) describe the bootstrap process.

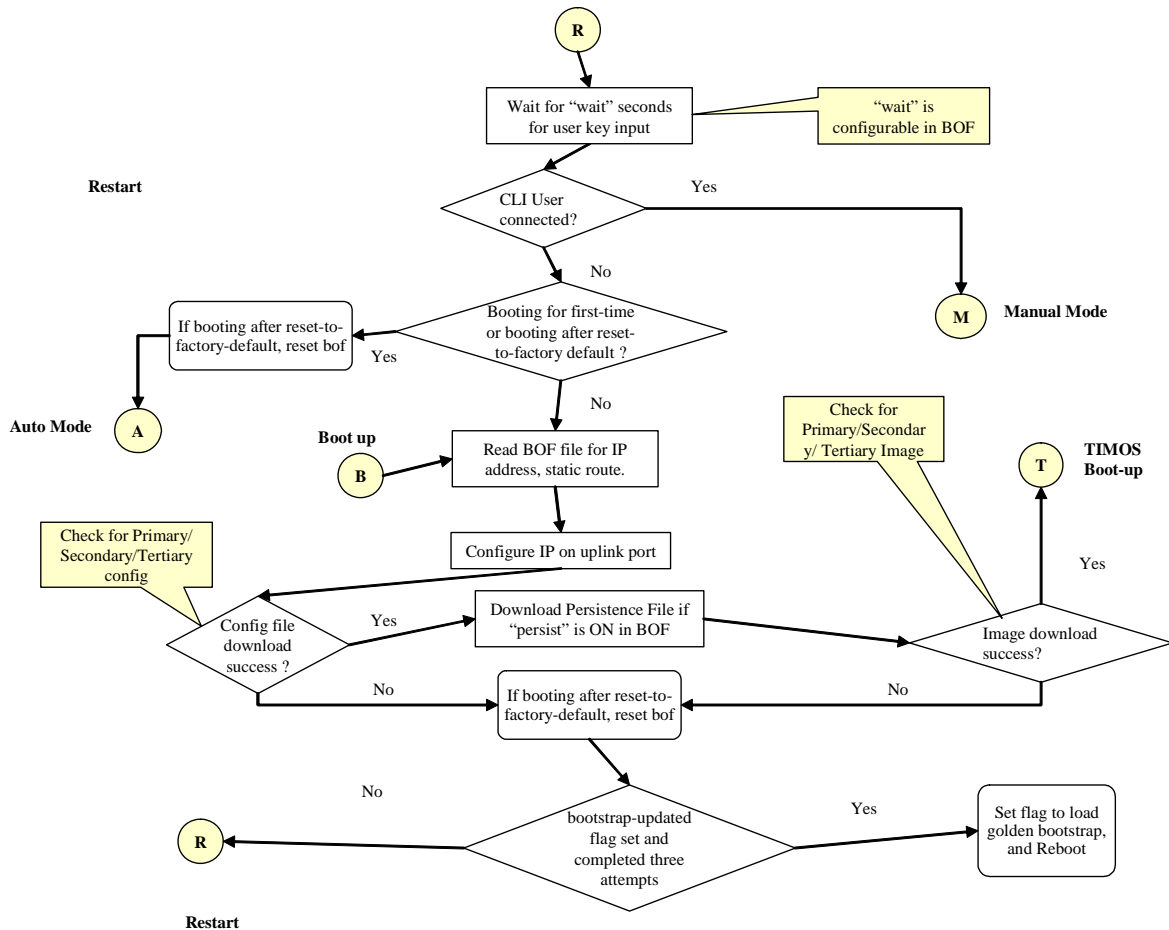


Figure 5: Bootstrap Process - System Initialization - Part II-A

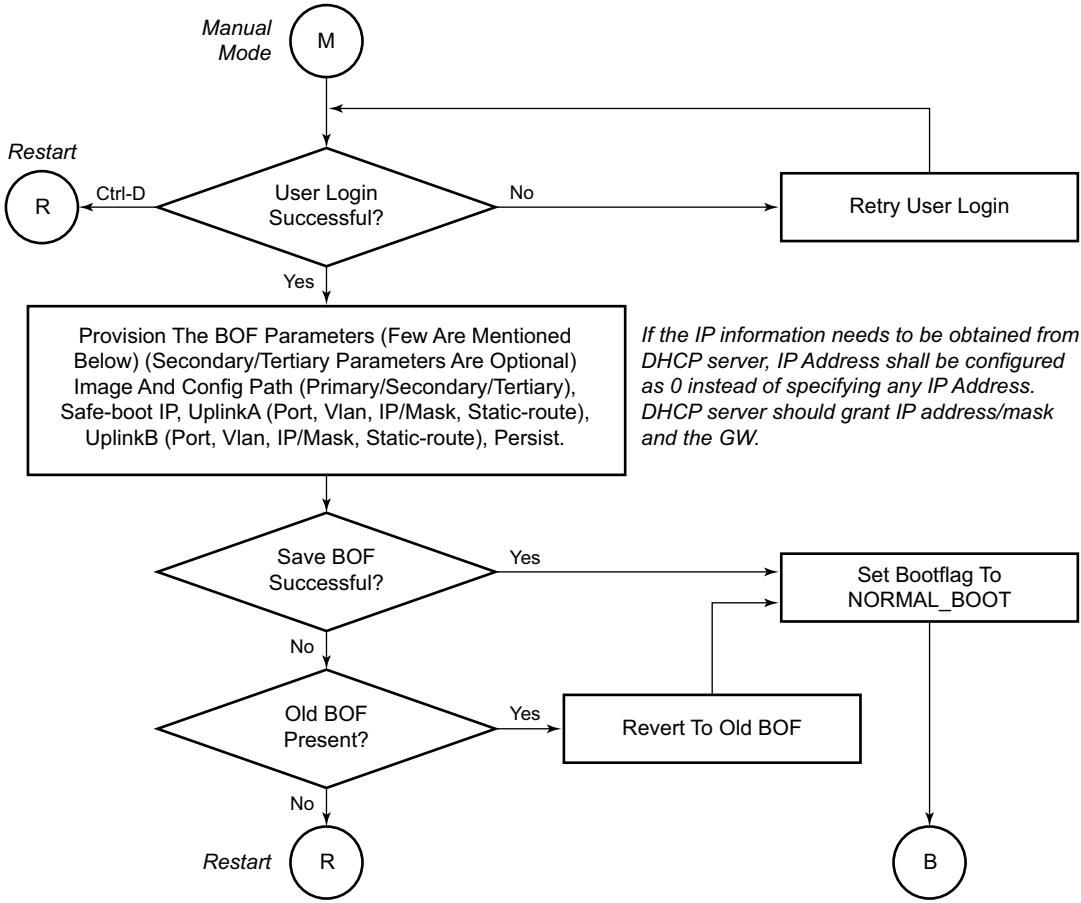
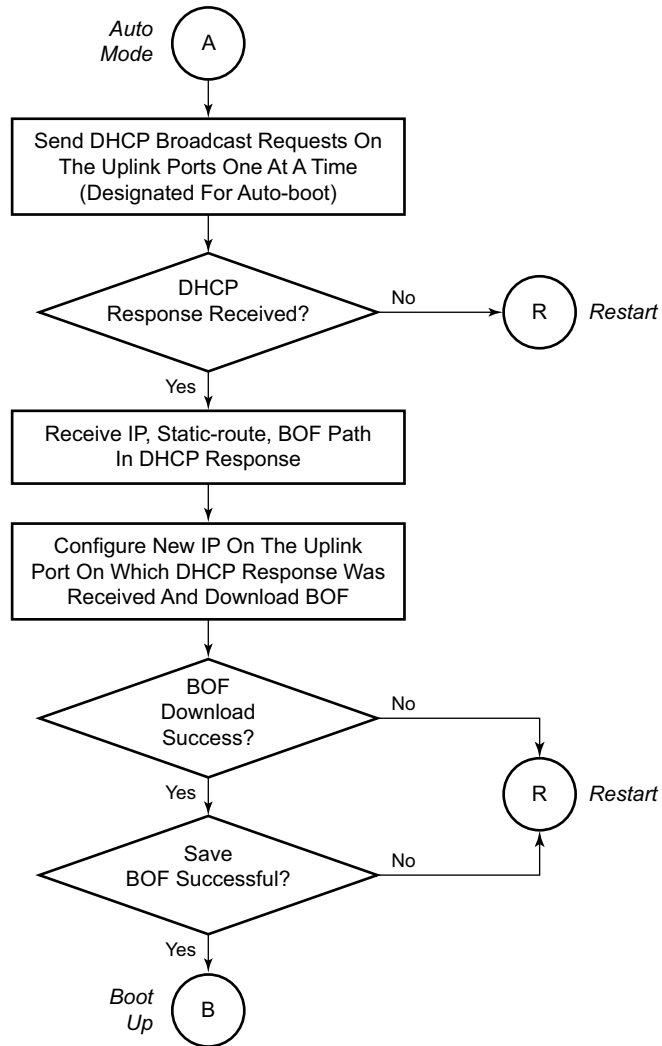


Figure 6: Bootstrap Process - System Initialization - Part II-B



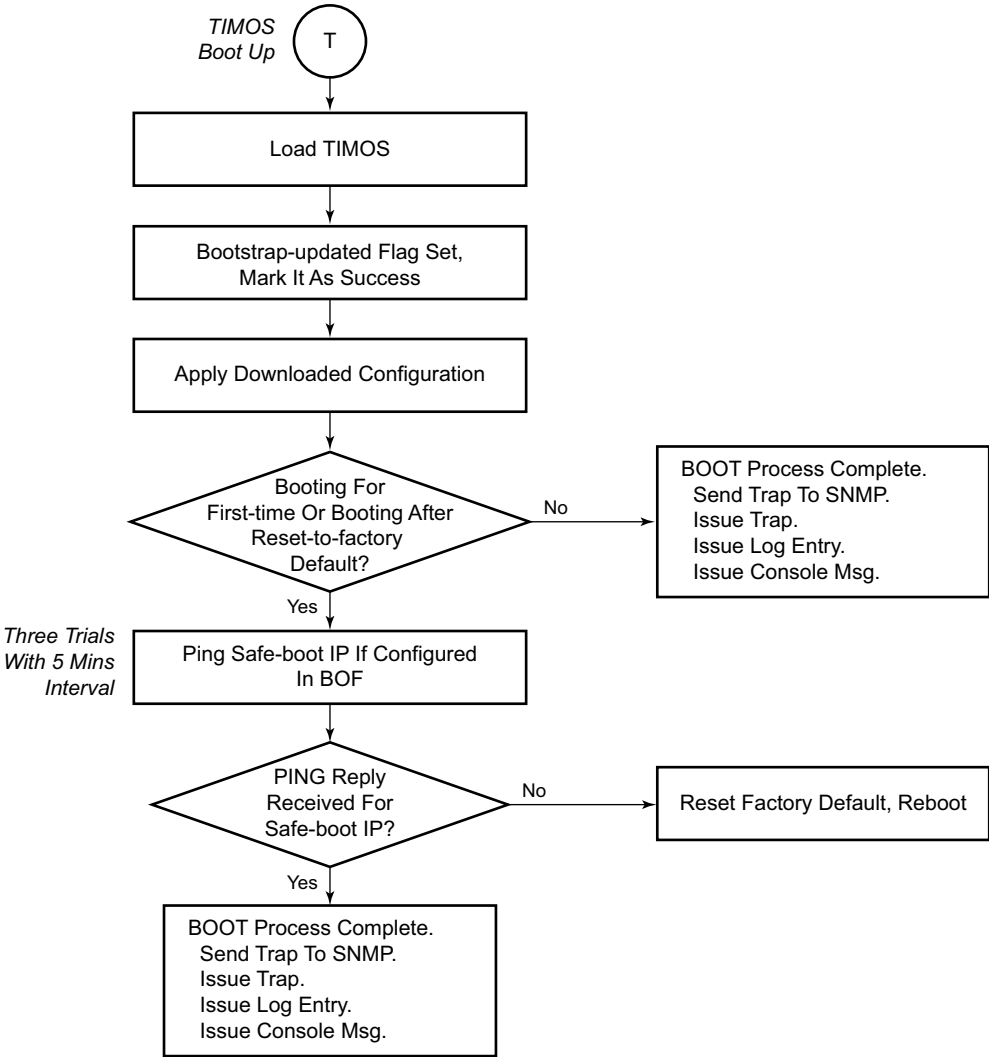
OSSG285

Figure 7: Bootstrap Process - System Initialization - Part II-C

When the runtime image is successfully downloaded, control is passed from the bootstrap image. The runtime image attempts to load the configurations from the downloaded configuration file. If no configuration file location is present in the BOF file, then the system is loaded with default configuration. Also during the auto-init, if the configuration file or image file download fails from the network, then the system is the auto-init procedure.

Ping Check

If the system is booted up using the auto-init procedure, the runtime image performs a ping check to make sure that the system has IP connectivity. The runtime image, after loading the configurations from the configuration file, tries three times to ping the IP address specified as the ping-address parameter in the BOF file, at a 2, 8 and 16 minutes interval. If the ping does not succeed, the system is rebooted with BOF reset after 1 minute and the whole boot process is repeated. If address in the BOF is zero or the ping address is not given, the ping check is not done. [Figure 8](#) describes the TiMos Boot — System Initialization Part III.



OSSG286

Figure 8: Timos Boot - System Initialization - Part III

Persistence

The following displays an example of BOF output.

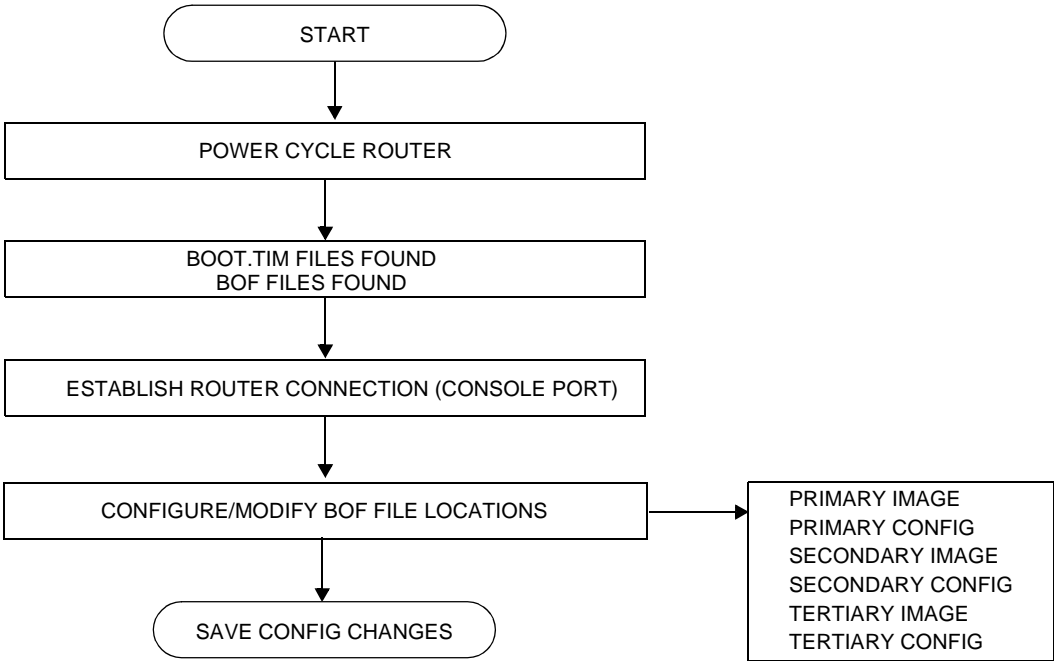
```
*A:7210>show# bof
=====
BOF (Memory)
=====
primary-image ftp://*:*@135.254.170.22//import/panos_builds/nightly/0.0
/I783/STU-sultan
primary-config ftp://*:*@10.135.25.100/tftpboot/STU/2597-ver2.cfg
secondary-config tftp://10.135.25.100/STU/2597-ver2.cfg
#eth-mgmt Port Settings:
no eth-mgmt-disabled
eth-mgmt-address 10.135.25.91/24
eth-mgmt-route 10.135.0.0/16 next-hop 10.135.25.1
eth-mgmt-route 135.250.0.0/16 next-hop 10.135.25.1
eth-mgmt-route 135.254.0.0/16 next-hop 10.135.25.1
eth-mgmt-autoneg
eth-mgmt-duplex full
eth-mgmt-speed 100
#uplinkA Port Settings:
uplinkA-port 1/1/24
uplinkA-address 10.135.25.91/24
uplinkA-vlan 0
uplinkA-route 10.135.0.0/16 next-hop 10.135.25.1
uplinkA-route 135.254.0.0/16 next-hop 10.135.25.1
#uplinkB Port Settings:
uplinkB-port 1/1/2
uplinkB-address 0
uplinkB-vlan 0
#System Settings:
wait 3
persist off
console-speed 115200
=====
*A:7210>show#
```

Optionally, the BOF `persist` parameter can specify whether the system should preserve system indexes when a `save` command is executed. During a subsequent boot, the index file is read along with the configuration file. As a result, a number of system indexes are preserved between reboots, including the interface index. If persistence is not required and the configuration file is successfully processed, then the system becomes operational. If `persist` is required, then a matching `x.ndx` file must be located and successfully processed before the system can become operational. Matching files (configuration and index files) must have the same filename prefix such as `test123.cfg` and `test123.ndx` and are created at the same time when a `save` command is executed. Note that the persistence option must be enabled to deploy the Network Management System (NMS). The default is off.

Traps, logs, and console messages are generated if problems occur and SNMP shuts down for all SNMP gets and sets, however, traps are issued.

Initial System Startup Process Flow

Figure 14 displays the process start your system. Note that this example assumes that the boot loader and BOF image and configuration files are successfully located.



Configuration Notes

- The loading sequence is based on the order in which it is placed in the configuration file. It is loaded as it is read in at boot time.

Configuring Boot File Options with CLI

This section provides information to configure BOF parameters with CLI.

Topics in this section include:

- [Configuring Boot File Options with CLI on page 109](#)
- [BOF Configuration Overview on page 110](#)
- [Basic BOF Configuration on page 111](#)
- [Common Configuration Tasks on page 112](#)
- [Configuring BOF Parameters on page 118](#)
- [Service Management Tasks on page 119](#)
 - [Viewing the Current Configuration on page 119](#)
 - [Modifying and Saving a Configuration on page 121](#)
 - [Saving a Configuration to a Different Filename on page 123](#)
 - [Rebooting on page 123](#)

BOF Configuration Overview

The bootstrap image is loaded from the boot.tim file. The BOF file performs the following tasks:

1. Sets up the uplink ports (speed, duplex, auto).
2. Assign the IP address (either statically or using DHCP) for the uplink port.
3. Assign the VLAN to the uplink port.
4. Create static routes for the uplink routes.
5. Sets the console port speed.
6. Configures the Domain Name System (DNS) name and DNS servers.
7. Configures the primary, secondary, tertiary configuration source.
8. Configures the primary, secondary, and tertiary image source.
9. Configures operational parameters.

Basic BOF Configuration

The parameters which specify location of the image filename that the router will try to boot from and the configuration file are in the BOF.

The most basic BOF configuration should have the following:

- Uplink port parameters
- Primary image location
- Primary configuration location

Following is a sample of a basic BOF configuration.

```
*A:7210>show# bof
=====
BOF (Memory)
=====
  primary-image  ftp://*:*@135.254.170.22//import/panos_builds/nightly/0.0
/I783/STU-sultan
    primary-config  ftp://*:*@10.135.25.100/tftpboot/STU/2597-ver2.cfg
    secondary-config tftp://10.135.25.100/STU/2597-ver2.cfg
#eth-mgmt Port Settings:
  no eth-mgmt-disabled
  eth-mgmt-address  10.135.25.91/24
  eth-mgmt-route    10.135.0.0/16 next-hop 10.135.25.1
  eth-mgmt-route    135.250.0.0/16 next-hop 10.135.25.1
  eth-mgmt-route    135.254.0.0/16 next-hop 10.135.25.1
  eth-mgmt-autoneg
  eth-mgmt-duplex   full
  eth-mgmt-speed    100
#uplinkA Port Settings:
  uplinkA-port      1/1/24
  uplinkA-address   10.135.25.91/24
  uplinkA-vlan      0
  uplinkA-route     10.135.0.0/16 next-hop 10.135.25.1
  uplinkA-route     135.254.0.0/16 next-hop 10.135.25.1
#uplinkB Port Settings:
  uplinkB-port      1/1/2
  uplinkB-address   0
  uplinkB-vlan      0
#System Settings:
  wait              3
  persist           off
  console-speed     115200
=====
*A:7210>show#
```

Common Configuration Tasks

The following sections are basic system tasks that must be performed.

- [Searching for the BOF on page 113](#)
 - [Accessing the CLI on page 116](#)
 - [Console Connection on page 116](#)
- [Configuring BOF Parameters on page 118](#)

For details about hardware installation and initial router connections, refer to the specific hardware installation guide.

Searching for the BOF

The BOF should be on the same drive as thebootstrap image file. If the system cannot load or cannot find the BOF, then the system checks whether the boot sequence was manually interrupted else continues with the auto-init mode. The system prompts for a different image and configuration location.

The following example displays an example of the output when the boot sequence is interrupted.

```
111Hit a key within 3 seconds to change boot parameters...
```

```
Enter password to edit the Boot Options File
Or CTRL-D to exit the prompt
```

You must supply some required Boot Options. At any prompt, you can type:

```
"restart" - restart the query mode.
"reboot"  - reboot.
"exit"    - boot with with existing values.
"reset"   - reset the bof and reboot.
```

```
Press ENTER to begin, or 'flash' to enter firmware update, or the shell password...
```

Software Location

```
-----
```

```
You must enter the URL of the TiMOS software.
The location can be on a Compact Flash device,
or on the network.
```

Here are some examples

```
cfl:/timos1.0R1
ftp://user:passwd@192.168.1.150/./timos1.0R1
ftp://user:passwd@[3FFE:1]/./timos1.0R1
tftp://192.168.1.150/./timos1.0R1
tftp://3FFE:1/./timos1.0R1
```

```
The existing Image URL is 'ftp://*:~@10.10.170.22//home/~/images/both.tim'
```

```
Press ENTER to keep it.
```

```
Software Image URL:
```

```
Using: 'ftp://*:~@10.10.170.22//home/~/images/both.tim'
```

Configuration File Location

```
-----
```

```
You must enter the location of configuration
file to be used by TiMOS. The file can be on
a Compact Flash device, or on the network.
```

Here are some examples

```
cfl:/config.cfg
ftp://user:passwd@192.168.1.150/./config.cfg
ftp://user:passwd@[3FFE:1]/./config.cfg
tftp://192.168.1.150/./config.cfg
tftp://3FFE:1/./config.cfg
```

Common Configuration Tasks

The existing Config URL is 'ftp://*:10.135.25.100/tftpboot/STU/config.cfg'
Press ENTER to keep it, or the word 'none' for no Config URL.
Config File URL: none

Network Configuration

Boot Interface Management

You specified a network location for either the software or the configuration file. You need to configure either eth-mgmt or uplinkA or uplinkB ports. You will be asked to configure the port number, IP address, static routes, and VLAN Id in case of uplink ports.

eth-mgmt Port Setting

Existing eth-mgmt port settings are:

```
eth-mgmt-port
eth-mgmt-address    10.135.25.97/24
eth-mgmt-route      10.135.0.0/16 next-hop 10.135.25.1
eth-mgmt-route      135.254.0.0/16 next-hop 10.135.25.1
```

eth-mgmt port is configured for Boot Interface Management,
Press ENTER to proceed with existing port settings
Or "disable" to disable the port for Boot Interface Management
Or "edit" to change the port settings:

uplinkA Port Setting

Existing uplinkA port settings are:

```
uplinkA-port        1/1/24
uplinkA-address     0
uplinkA-vlan        0
```

uplinkA port is configured for Boot Interface Management,
Press ENTER to proceed with existing port settings
Or "disable" to disable the port for Boot Interface Management
Or "edit" to change the port settings:

uplinkB Port Setting

Existing uplinkB port settings are:

```
uplinkB-port        1/1/2
uplinkB-address     0
uplinkB-vlan        0
```

uplinkB port is configured for Boot Interface Management,
Press ENTER to proceed with existing port settings
Or "disable" to disable the port for Boot Interface Management
Or "edit" to change the port settings:

New Settings

```
primary-image      ftp://*:~@135.254.170.22//home/****/images/both.tim
secondary-config  tftp://10.135.25.100/STU/config.cfg
#eth-mgmt Port Settings:
no eth-mgmt-disabled
eth-mgmt-address  10.135.25.97/24
eth-mgmt-route    10.135.0.0/16 next-hop 10.135.25.1
eth-mgmt-route    135.254.0.0/16 next-hop 10.135.25.1
eth-mgmt-autoneg
eth-mgmt-duplex   full
eth-mgmt-speed    100
#uplinkA Port Settings:
uplinkA-port      1/1/24
uplinkA-address   0
uplinkA-vlan      0
#uplinkB Port Settings:
uplinkB-port      1/1/2
uplinkB-address   0
uplinkB-vlan      0
#System Settings:
wait              3
persist           off
console-speed     115200
```

Accessing the CLI

To access the CLI to configure the software for the first time, follow these steps:

- When the power to the chassis is turned on, the 7210 SAS software automatically begins the boot sequence.
 - When the boot loader and BOF image and configuration files are successfully located, establish a router connection (console session).
-

Console Connection

To establish a console connection, you will need the following:

- An ASCII terminal or a PC running terminal emulation software set to the parameters shown in the table below.
- A standard serial cable connector for connecting to a RS232 port (provides a RJ45 connector).

Table 14: Console Configuration Parameter Values

Parameter	Value
Baud Rate	115,200
Data Bits	8
Parity	None
Stop Bits	1
Flow Control	None

The following figure displays an example of the Console port on a 7210 SAS E front panel.

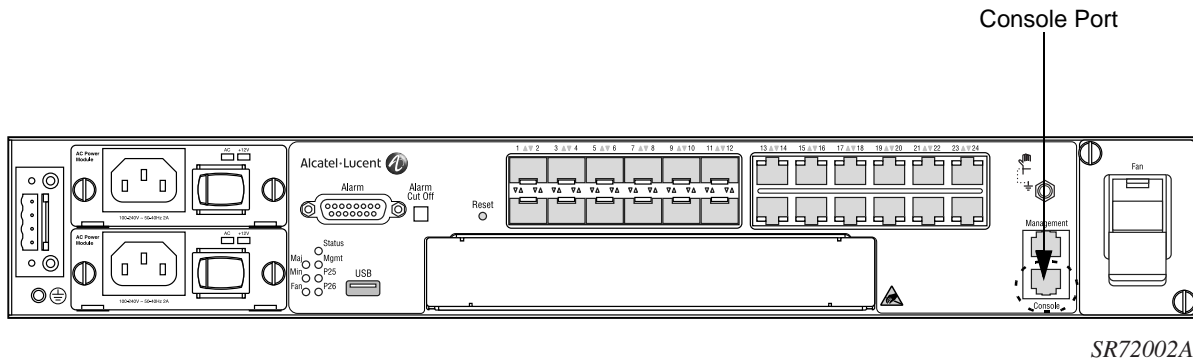


Figure 9: 7210 SAS E Front Panel Console Port

To establish a console connection:

- Step 1** Connect the terminal to the Console port on the front panel using the serial cable.
- Step 2** Power on the terminal.
- Step 3** Establish the connection by pressing the <Enter> key a few times on your terminal keyboard.
- Step 4** At the router prompt, enter the login and password.
 The default login is admin.
 The default password is admin.

Configuring BOF Parameters

The following output displays a BOF configuration:

```
*A:7210>show# bof
=====
BOF (Memory)
=====
  primary-image  ftp://*:*@135.254.170.22//import/panos_builds/nightly/0.0
/I783/STU-sultan
  primary-config  ftp://*:*@10.135.25.100/tftpboot/STU/2597-ver2.cfg
  secondary-config tftp://10.135.25.100/STU/2597-ver2.cfg
#eth-mgmt Port Settings:
  no eth-mgmt-disabled
  eth-mgmt-address 10.135.25.91/24
  eth-mgmt-route   10.135.0.0/16 next-hop 10.135.25.1
  eth-mgmt-route   135.250.0.0/16 next-hop 10.135.25.1
  eth-mgmt-route   135.254.0.0/16 next-hop 10.135.25.1
  eth-mgmt-autoneg
  eth-mgmt-duplex  full
  eth-mgmt-speed   100
#uplinkA Port Settings:
  uplinkA-port     1/1/24
  uplinkA-address  10.135.25.91/24
  uplinkA-vlan     0
  uplinkA-route    10.135.0.0/16 next-hop 10.135.25.1
  uplinkA-route    135.254.0.0/16 next-hop 10.135.25.1
#uplinkB Port Settings:
  uplinkB-port     1/1/2
  uplinkB-address  0
  uplinkB-vlan     0
#System Settings:
  wait             3
  persist          off
  console-speed    115200
=====
*A:7210>show#
```

Service Management Tasks

This section discusses the following service management tasks:

- [System Administration Commands on page 119](#)
 - [Viewing the Current Configuration on page 119](#)
 - [Modifying and Saving a Configuration on page 121](#)
 - [Deleting BOF Parameters on page 122](#)
 - [Saving a Configuration to a Different Filename on page 123](#)

System Administration Commands

Use the following administrative commands to perform management tasks.

CLI Syntax: A:ALA-1# admin
 check-golden-bootstrap
 display-config
 reboot [now]
 save [file-url] [detail] [index]
 update-golden-bootstrap [file-url]

Viewing the Current Configuration

Use one of the following CLI commands to display the current configuration. The *detail* option displays all default values. The *index* option displays only the persistent indices. The *info* command displays context-level information.

CLI Syntax: admin# display-config [detail|index]
 info *detail*

The following displays an example of a configuration file:

```
*A:sim169# admin display-config
# TiMOS-B-0.0.I218 both/i386 ALCATEL SAS-E 7210 Copyright (c) 2000-2008 Alcatel-
Lucent.
# All rights reserved. All use subject to applicable license agreements.
# Built on Fri Sep 26 20:46:58 IST 2008 by panosbld in /panosbld/ws/panos/main

# Generated THU JUN 23 19:19:22 2005 UTC

exit all
configure
#-----
echo "System Configuration"
```

Service Management Tasks

```
#-----  
system  
  name "7210-3"  
  contact "Fred Information Technology"  
  location "Bldg.1-floor 2-Room 201"  
  clli-code "abcdefg1234"  
  coordinates "N 45 58 23, W 34 56 12"  
  ccm 1  
  exit  
  snmp  
  exit  
  login-control  
    idle-timeout 1440  
    motd text "7210-3"  
  exit  
  time  
    sntp  
    shutdown  
  exit  
  zone UTC  
  exit  
  thresholds  
    rmon  
  exit  
  exit  
exit...  
...  
#-----  
  
# Finished FRI Nov 21 15:06:16 2008 UTC  
A:*A:sim169##
```

Modifying and Saving a Configuration

If you modify a configuration file, the changes remain in effect only during the current power cycle unless a `save` command is executed. Changes are lost if the system is powered down or the router is rebooted without saving.

- Specify the file URL location to save the running configuration. If a destination is not specified, the files are saved to the location where the files were found for that boot sequence. The same configuration can be saved with different file names to the same location or to different locations.
- The **detail** option adds the default parameters to the saved configuration.
- The **index** option forces a save of the index file.
- Changing the active and standby addresses without reboot standby CPM may cause a boot-env sync to fail.

The following command saves a configuration:

CLI Syntax: `bof# save [cflash-id]`

Example:

```
A:ALA-1# bof
A:ALA-1>bof# save cf1:
A:ALA-1>bof#
```

The following command saves the system configuration:

CLI Syntax: `admin# save [file-url] [detail] [index]`

Example:

```
A:ALA-1# admin save cf1:\test123.cfg
Saving config.# Saved to cf1:\test123.cfg
... complete
A:ALA-1#
```

NOTE: If the `persist` option is enabled and the `admin save file-url` command is executed with an FTP path used as the `file-url` parameter, two FTP sessions simultaneously open to the FTP server. The FTP server must be configured to allow multiple sessions from the same login, otherwise, the configuration and index files will not be saved correctly.

Deleting BOF Parameters

You can delete specific BOF parameters. The **no** form of these commands removes the parameter from configuration. The changes remain in effect only during the current power cycle unless a **save** command is executed. Changes are lost if the system is powered down or the router is rebooted without saving.

Deleting the BOF file and then rebooting, causes the system to enter auto mode.

Use the following CLI syntax to save and remove BOF configuration parameters:

CLI Syntax: `bof# save [cflash-id]`

Example:

```
A:ALA-1# bof
A:ALA-1>bof# save cf1:
A:ALA-1>bof#
```

CLI Syntax:

```
*A:7210>bof#
no console-speed
no dns-domain
no eth-mgmt-address
no eth-mgmt-autoneg
no eth-mgmt-disable
eth-mgmt-duplex
no eth-mgmt-route
eth-mgmt-speed
persist
no ping-address
no primary-config
no primary-dns
no primary-image
save
no secondary-config
no secondary-dns
no secondary-image
no tertiary-config
no tertiary-dns
no tertiary-image
no uplinkA-address
no uplinkA-port
no uplinkA-route
no uplinkA-vlan
no uplinkB-address
no uplinkB-port
no uplinkB-route
no uplinkB-vlan
wait
```

Saving a Configuration to a Different Filename

Save the current configuration with a unique filename to have additional backup copies and to edit parameters with a text editor. You can save your current configuration to an ASCII file.

Use either of the following CLI syntax to save a configuration to a different location:

CLI Syntax: bof# save [*cflash-id*]

Example: A:ALA-1# bof
A:ALA-1>bof# save cf1:
A:ALA-1>bof#

or

CLI Syntax: admin# save [*file-url*] [*detail*] [*index*]

Example: A:ALA-1>admin# save cf1:\testABC.cfg
Saving config.# Saved to cf1:\testABC.cfg
... complete
A:ALA-1#

Rebooting

When an **admin>reboot** command is issued, the system reboots. Changes are lost unless the configuration is saved. Use the **admin>save file-url** command to save the current configuration. The user is prompted to confirm the reboot operation.

Use the following CLI syntax to reboot:

CLI Syntax: admin# reboot [now]

Example: A:ALA-1>admin# reboot
A:DutA>admin# reboot

Are you sure you want to reboot (y/n)? y

Resetting...OK

Alcatel-Lucent 7210 Boot ROM. Copyright 2000-2009 Alcatel-Lucent.
All rights reserved. All use is subject to applicable license agreements.
Running POST tests from ROM
Testing ROM load area...done

Relocating code...Jumping to RAM
...

When an **admin reboot auto-init** command is issued, the system resets the existing BOF file and reboots. The system startup process after the **admin reboot auto-init** command is executed is the same as the first time system boot as described in [System Initialization on page 96](#).

NOTE: Since the BOF is reset, the system may not boot up with the last saved system configuration unless the new BOF file also uses the same configuration file. If it is required that the system boot up with the last saved system configuration, it is recommended to use the **admin>save file-url** command to save the current system configuration and modify the BOF to use this.

Use the following CLI to reset the BOF and reboot:

CLI Syntax: admin# reboot auto-init [now]

Example: *A:ALA-1# admin reboot auto-init

WARNING: Configuration and/or Boot options may have changed since the last save.

Are you sure you want to reset the bof and reboot (y/n)? Y

Resetting...OK

Alcatel-Lucent 7210 Boot ROM. Copyright 2000-2008 Alcatel-Lucent.

All rights reserved. All use is subject to applicable license agreements.

BOF Command Reference

Command Hierarchies

Configuration Commands

- bof**
- **console-speed** *baud-rate*
 - **no console-speed**
 - **dns-domain** *dns-name*
 - **no dns-domain**
 - **[no] eth-mgmt-address** *ip-prefix/ip-prefix-length*
 - **[no] eth-mgmt-autoneg**
 - **[no] eth-mgmt-address**
 - **[no] eth-mgmt-disable**
 - **eth-mgmt-duplex** {**full** | **half**}
 - **[no] eth-mgmt-route** *ip-address/mask next-hop ip-address*
 - **eth-mgmt-speed** *speed*
 - **persist** {**on** | **off**}
 - **ping-address** *ip-address*
 - **no ping-address**
 - **primary-config** *file-url*
 - **no primary-config**
 - **primary-dns** *ip-address*
 - **no primary-dns**
 - **primary-image** *file-url*
 - **no primary-image**
 - **save** [*cflash-id*]
 - **secondary-config** *file-url*
 - **no secondary-config**
 - **[no] secondary-dns** *ip-address*
 - **secondary-image** *file-url*
 - **no secondary-image**
 - **tertiary-config** *file-url*
 - **no tertiary-config**
 - **tertiary-dns** *ip-address*
 - **no tertiary-dns**
 - **tertiary-image** *file-url*
 - **no tertiary-image**
 - **wait** *seconds*
 - **uplinkA-address** *ip-address/mask*
 - **no uplinkA-address**
 - **uplinkA-port** *port-id*
 - **no uplinkA-port**
 - **[no] uplinkA-route** *ip-address/mask next-hop ip-address*
 - **uplinkA-vlan** *0..4094*
 - **no uplinkA-vlan**
 - **uplinkB-address** *ip-address/mask*
 - **no uplinkB-address**
 - **uplinkB-port** *port-id*
 - **no uplinkB-port**

BOF Command Reference

- **[no] uplinkB-route** *ip-address/mask next-hop ip-address*
- **uplinkB-vlan** *0..4094*
- **no uplinkB-vlan**

Show Commands

- show**
- **bof** [*cf**flash-id* | *booted*]
- **boot-messages**

Configuration Commands

File Management Commands

bof

Syntax	bof
Context	<ROOT>
Description	<p>This command creates or edits the boot option file (BOF) for the specified local storage device.</p> <p>A BOF file specifies where the system searches for runtime images, configuration files, and other operational parameters during system initialization.</p> <p>BOF parameters can be modified. Changes can be saved to a specified compact flash. The BOF must be located in the root directory of either an internal or external compact flash local to the system and have the mandatory filename of <i>bof.cfg</i>.</p> <p>When modifications are made to in-memory parameters that are currently in use or operating, the changes are effective immediately. For example, if the console-speed is changed, the change takes place immediately.</p> <p>Only one entry of the BOF configuration command statement can be saved once the statement has been found to be syntactically correct.</p> <p>No default boot option file exists.</p>
Default	none

save

Syntax	save [<i>cf-flash-id</i>]
Context	bof
Description	<p>This command uses the boot option parameters currently in memory and writes them from the boot option file to the compact flash.</p> <p>The BOF is located in the root directory of the internal compact flash drive local to the system and have the mandatory filename of <i>bof.cfg</i>.</p> <p>Command usage:</p> <ul style="list-style-type: none">• bof save — Saves the BOF to the flash drive CF1:• bof save cf1: — Saves the BOF to cf1:
Default	Saves must be explicitly executed. The BOF is saved to cf1: if a location is not specified.
Parameters	<i>flash-id</i> — The compact flash ID where the <i>bof.cfg</i> is to be saved.
Values	cf1:
Default	cf1:

BOF Processing Control

wait

Syntax	wait <i>seconds</i>
Context	bof
Description	<p>This command configures a pause, in seconds, at the start of the boot process which allows system initialization to be interrupted at the console.</p> <p>When system initialization is interrupted the operator is allowed to manually override the parameters defined in the boot option file (BOF).</p> <p>Only one wait command can be defined in the BOF.</p>
Default	3
Parameters	<i>seconds</i> — The time to pause at the start of the boot process, in seconds.
	Values 1 — 10

Console Port Configuration

console-speed

Syntax	console-speed <i>baud-rate</i> no console-speed
Context	bof
Description	<p>This command configures the console port baud rate.</p> <p>When this command is issued while editing the BOF file used for the most recent boot, both the BOF file and the active configuration are changed immediately.</p> <p>The no form of the command reverts to the default value.</p>
Default	115200 — console configured for 115,200 bps operation
Parameters	<i>baud-rate</i> — The console port baud rate, expressed as a decimal integer.
	Values 9600, 19200, 38400, 57600, 115200

Image and Configuration Management

persist

Syntax	persist {on off}
Context	bof
Description	<p>This command specifies whether the system will preserve system indexes when a save command is executed. During a subsequent boot, the index file is read along with the configuration file. As a result, a number of system indexes are preserved between reboots, including the interface index, etc. This reduces resynchronizations of the Network Management System (NMS) with the affected network element.</p> <p>In the event that persist is on and the reboot with the appropriate index file fails, SNMP is operationally shut down to prevent the management system from accessing and possibly synchronizing with a partially booted or incomplete network element. To enable SNMP access, enter the config>system>snmp>no shutdown command.</p> <p>If persist is enabled and the admin save <url> command is executed with an FTP path used as the <url> parameter, two FTP sessions simultaneously open to the FTP server. The FTP server must be configured to allow multiple sessions from the same login, otherwise, the configuration and index files will not be saved correctly.</p> <p>Notes:</p> <ul style="list-style-type: none">• Persistency files (.ndx) are saved on the same disk as the configuration files and the image files.• When an operator sets the location for the persistency file, the system will check to ensure that the disk has enough free space. If this there is not enough free space, the persistency will not become active and a trap will be generated. Then, it is up to the operator to free adequate disk space. In the meantime, the system will perform a space availability check every 30 seconds. As soon as the space is available the persistency will become active on the next (30 second) check.
Default	off
Parameters	<p><i>on</i> — Create when saving the configuration.</p> <p><i>off</i> — Disables the system index saves between reboots.</p>

primary-config

Syntax	primary-config <i>file-url</i> no primary-config												
Context	bof												
Description	<p>This command specifies the name and location of the primary configuration file.</p> <p>The system attempts to use the configuration specified in primary-config. If the specified file cannot be located, the system automatically attempts to obtain the configuration from the location specified in secondary-config and then the tertiary-config.</p> <p>Note that if an error in the configuration file is encountered, the boot process aborts.</p> <p>The no form of the command removes the primary-config configuration.</p>												
Default	none												
Parameters	<p><i>file-url</i> — The primary configuration file location, expressed as a file URL.</p> <table> <tr> <td>Values</td> <td>file-url</td> <td>[<i>local-url</i> <i>remote-url</i>] (up to 180 characters)</td> </tr> <tr> <td></td> <td>local-url</td> <td>[<i>cflash-id</i>]/[<i>file-path</i>]</td> </tr> <tr> <td></td> <td>remote-url</td> <td>[{ftp:// tftp://} <i>login:pswd@remote-locn</i>]/[<i>file-path</i>]</td> </tr> <tr> <td></td> <td>cflash-id</td> <td>cf1:</td> </tr> </table>	Values	file-url	[<i>local-url</i> <i>remote-url</i>] (up to 180 characters)		local-url	[<i>cflash-id</i>]/[<i>file-path</i>]		remote-url	[{ftp:// tftp://} <i>login:pswd@remote-locn</i>]/[<i>file-path</i>]		cflash-id	cf1:
Values	file-url	[<i>local-url</i> <i>remote-url</i>] (up to 180 characters)											
	local-url	[<i>cflash-id</i>]/[<i>file-path</i>]											
	remote-url	[{ftp:// tftp://} <i>login:pswd@remote-locn</i>]/[<i>file-path</i>]											
	cflash-id	cf1:											

primary-image

Syntax	primary-image <i>file-url</i> no primary image												
Context	bof												
Description	<p>This command specifies the primary directory location for runtime image file loading.</p> <p>The system attempts to load all runtime image files configured in the primary-image first. If this fails, the system attempts to load the runtime images from the location configured in the secondary-image. If the secondary image load fails, the tertiary image specified in tertiary-image is used.</p> <p>The no form of the command removes the primary-image configuration.</p>												
Default	none												
Parameters	<p><i>file-url</i> — The <i>location-url</i> can be either local (this CPMflash) or a remote FTP server.</p> <table> <tr> <td>Values</td> <td>file-url</td> <td>[<i>local-url</i> <i>remote-url</i>] (up to 180 characters)</td> </tr> <tr> <td></td> <td>local-url</td> <td>[<i>cflash-id</i>]/[<i>file-path</i>]</td> </tr> <tr> <td></td> <td>remote-url</td> <td>[{ftp:// tftp://} <i>login:pswd@remote-locn</i>]/[<i>file-path</i>]</td> </tr> <tr> <td></td> <td>cflash-id</td> <td>cf1:</td> </tr> </table>	Values	file-url	[<i>local-url</i> <i>remote-url</i>] (up to 180 characters)		local-url	[<i>cflash-id</i>]/[<i>file-path</i>]		remote-url	[{ftp:// tftp://} <i>login:pswd@remote-locn</i>]/[<i>file-path</i>]		cflash-id	cf1:
Values	file-url	[<i>local-url</i> <i>remote-url</i>] (up to 180 characters)											
	local-url	[<i>cflash-id</i>]/[<i>file-path</i>]											
	remote-url	[{ftp:// tftp://} <i>login:pswd@remote-locn</i>]/[<i>file-path</i>]											
	cflash-id	cf1:											

secondary-config

Syntax	secondary-config <i>file-url</i> no secondary-config		
Context	bof		
Description	<p>This command specifies the name and location of the secondary configuration file.</p> <p>The system attempts to use the configuration as specified in secondary-config if the primary config cannot be located. If the secondary-config file cannot be located, the system attempts to obtain the configuration from the location specified in the tertiary-config.</p> <p>Note that if an error in the configuration file is encountered, the boot process aborts.</p> <p>The no form of the command removes the secondary-config configuration.</p>		
Default	none		
Parameters	<i>file-url</i> — The secondary configuration file location, expressed as a file URL.		
	Values	file-url	[<i>local-url</i> <i>remote-url</i>] (up to 180 characters)
		local-url	[<i>cflash-id</i>]/[<i>file-path</i>]
		remote-url	[{ftp:// tftp://} <i>login:pswd@remote-locn</i>]/[<i>file-path</i>]
		cflash-id	cf1::

secondary-image

Syntax	secondary-image <i>file-url</i> no secondary-image		
Context	bof		
Description	<p>This command specifies the secondary directory location for runtime image file loading.</p> <p>The system attempts to load all runtime image files configured in the primary-image first. If this fails, the system attempts to load the runtime images from the location configured in the secondary-image. If the secondary image load fails, the tertiary image specified in tertiary-image is used.</p> <p>The no form of the command removes the secondary-image configuration.</p>		
Default	none		
Parameters	<i>file-url</i> — The <i>file-url</i> can be either local (this CPM/local flash) or a remote FTP server.		
	Values	file-url	[<i>local-url</i> <i>remote-url</i>] (up to 180 characters)
		local-url	[<i>cflash-id</i>]/[<i>file-path</i>]
		remote-url	[{ftp:// tftp://} <i>login:pswd@remote-locn</i>]/[<i>file-path</i>]
		cflash-id	cf1::

tertiary-config

Syntax	tertiary-config <i>file-url</i> no tertiary-config		
Context	bof		
Description	<p>This command specifies the name and location of the tertiary configuration file.</p> <p>The system attempts to use the configuration specified in tertiary-config if both the primary and secondary config files cannot be located. If this file cannot be located, the system boots with the factory default configuration.</p> <p>Note that if an error in the configuration file is encountered, the boot process aborts.</p> <p>The no form of the command removes the tertiary-config configuration.</p>		
Default	none		
Parameters	<i>file-url</i> — The tertiary configuration file location, expressed as a file URL.		
	Values	local-url	[<i>cflash-id</i>]/[<i>file-path</i>]
		cflash-id	cf1:
		remote-url	[{ftp:// tftp://} <i>login:pswd@remote-locn</i>]/[<i>file-path</i>]

tertiary-image

Syntax	tertiary-image <i>file-url</i> no tertiary-image		
Context	bof		
Description	<p>This command specifies the tertiary directory location for runtime image file loading.</p> <p>The system attempts to load all runtime image files configured in the primary-image first. If this fails, the system attempts to load the runtime images from the location configured in the secondary-image. If the secondary image load fails, the tertiary image specified in tertiary-image is used.</p> <p>The no form of the command removes the tertiary-image configuration.</p>		
Default	none		
Parameters	<i>file-url</i> — The location-url can be either local (this flash) or a remote FTP server.		
	Values	file-url	[<i>local-url</i> <i>remote-url</i>] (up to 180 characters)
		local-url	[<i>cflash-id</i>]/[<i>file-path</i>]
		remote-url	[{ftp:// tftp://} <i>login:pswd@remote-locn</i>]/[<i>file-path</i>]
		cflash-id	cf1:

ping-address

Syntax	ping-address <i>ip-address</i> no ping-address
Context	bof
Description	This command specifies the IP address which would be used for ping-test after the system boots. The no form of the command removes the ping-address configuration. Setting a value of 0 also removes the ping-address configuration.
Default	none
Parameters	<i>ip-address</i> — Specifies an IPv4 ip-address in the form a.b.c.d, for example, 10.1.2.10.

uplinkA-address

Syntax	uplinkA-address <i>ip-address/mask</i> no uplinkA-address
Context	bof
Description	This command configures the uplink-A address. The no form of the command sets the uplinkA to use DHCP to get the IP and the show bof value reflects 0 for this parameter.
Parameters	<i>ip-address</i> — The IP address of the Boot Option File (BOF). This address must be unique within the subnet and specified in dotted decimal notation. <i>mask</i> — The subnet mask length when the IP prefix is specified in CIDR notation. When the IP prefix is specified in CIDR notation, a forward slash (/) separates the <i>ip-addr</i> from the <i>mask-length</i> parameter. The mask length parameter indicates the number of bits used for the network portion of the IP address; the remainder of the IP address is used to determine the host portion of the IP address. Values 1 — 30

uplinkB-address

Syntax	uplinkB-address <i>ip-address/mask</i> no uplinkB-address
Context	bof
Description	This command configures the uplink-B address. The no form of the command sets the uplinkB to use DHCP to get the IP and the show bof value reflects 0 for this parameter.

File Management Commands

Parameters	<p><i>ip-address</i> — The IP address of the Boot Option File (BOF). This address must be unique within the subnet and specified in dotted decimal notation.</p> <p><i>mask</i> — The subnet mask length when the IP prefix is specified in CIDR notation. When the IP prefix is specified in CIDR notation, a forward slash (/) separates the <i>ip-addr</i> from the <i>mask-length</i> parameter. The mask length parameter indicates the number of bits used for the network portion of the IP address; the remainder of the IP address is used to determine the host portion of the IP address.</p> <p>Values 1 — 30</p>
-------------------	-------------------------------------------------------------------------------------------------------------------------------------------------------------------------------------------------------------------------------------------------------------------------------------------------------------------------------------------------------------------------------------------------------------------------------------------------------------------------------------------------------------------------------------------------------------------------------------------------------------------------------------------

uplinkA-port

Syntax	uplinkA-port <i>port-id</i> no uplinkA-port
Context	bof
Description	This command configures the primary port to be used for boot up. The no form of the command removes all the uplinkA parameters from the BOF.
Parameters	<i>port-id</i> — Specifies the primary port to be used for boot up in the <i>slot/mda/port</i> format.

uplinkB-port

Syntax	uplinkB-port <i>port-id</i> no uplinkB-port
Context	bof
Description	This command configures the secondary port to be used for boot up. The no form of the command removes all the uplinkB parameters from the BOF.
Parameters	<i>port-id</i> — Specifies the secondary port to be used for boot up in the <i>slot/mda/port</i> format.

uplinkA-route

Syntax	[no] uplinkA-route <i>ip-address/mask next-hop ip-address</i>
Context	bof
Description	This command configures an uplink-A static route.

- Parameters** *ip-address* — The IP address of the Boot Option File (BOF). This address must be unique within the subnet and specified in dotted decimal notation.
- mask* — The subnet mask length when the IP prefix is specified in CIDR notation. When the IP prefix is specified in CIDR notation, a forward slash (/) separates the *ip-addr* from the *mask-length* parameter. The mask length parameter indicates the number of bits used for the network portion of the IP address; the remainder of the IP address is used to determine the host portion of the IP address.
- Values** 0 — 32
- next-hop** *ip-address* — The next hop IP address used to reach the destination.

uplinkB-route

- Syntax** **[no] uplinkB-route** *ip-address/mask next-hop ip-address*
- Context** bof
- Description** This command configures an uplink-B static route.
- Parameters** *ip-address* — The IP address of the Boot Option File (BOF). This address must be unique within the subnet and specified in dotted decimal notation.
- mask* — The subnet mask length when the IP prefix is specified in CIDR notation. When the IP prefix is specified in CIDR notation, a forward slash (/) separates the *ip-addr* from the *mask-length* parameter. The mask length parameter indicates the number of bits used for the network portion of the IP address; the remainder of the IP address is used to determine the host portion of the IP address.
- Values** 0 — 32
- next-hop** *ip-address* — The next hop IP address used to reach the destination.

uplinkA-vlan

- Syntax** **uplinkA-vlan** *0..4094*
no uplinkA-vlan
- Context** bof
- Description** This command specifies a VLAN ID to be used on uplink-A.
The **no** form of the command is used to send untagged packets on uplink-A.

uplinkB-vlan

Syntax	uplinkB-vlan <i>0..4094</i> no uplinkA-vlan
Context	bof
Description	This command specifies a VLAN ID to be used on uplink-B. The no form of the command is used to send untagged packets on uplink-B.

eth-mgmt-address

Syntax	[no] eth-mgmt-address <i>ip-prefix\ip-prefix-length</i>
Context	bof
Description	This command assigns an IP address to the management Ethernet port in the running configuration and the Boot Option File (BOF). Deleting a BOF address entry is not allowed from a telnet session. The no form of the command deletes the IP address assigned to the Ethernet port.
Default	no eth-mgmt-address — There are no IP addresses assigned to the out-of-band Ethernet management ports.
Parameters	<i>ip-prefix\ip-prefix-length</i> — The IP address in dotted decimal notation. Values <i>ipv4-prefix a.b.c.d</i> (host bits must be 0) Values <i>ipv4-prefix-length 0</i> — 32

eth-mgmt-autoneg

Syntax	[no] eth-mgmt-autoneg
Context	bof
Description	This command enables speed and duplex Auto-negotiation on the management Ethernet port in the running configuration and the Boot Option File (BOF). The no form of the command disables the Auto-negotiate feature on this port.
Default	eth-mgmt-autoneg — Auto-negotiation is enabled on the management Ethernet port.

eth-mgmt-disable

Syntax	[no] eth-mgmt-disable
Context	bof
Description	This command allows the user to enable or disable the out-of-band management Ethernet port for use during boot up. The no form of the command enables the port.
Default	eth-mgmt-disable

eth-mgmt-duplex

Syntax	eth-mgmt-duplex {full half}
Context	bof
Description	This command configures the duplex mode of the management Ethernet port when Auto-negotiation is disabled in the running configuration and the Boot Option File (BOF). This configuration command allows for the configuration of the duplex mode of the Ethernet port. If the port is configured to Auto-negotiate, this parameter will be ignored.
Default	eth-mgmt-duplex full — Full duplex operation.
Parameters	<i>full</i> — Sets the link to full duplex mode. <i>half</i> — Sets the link to half duplex mode.

eth-mgmt-route

Syntax	[no] eth-mgmt-route <i>ip-prefix/ip-prefix-length next-hop ip-address</i>
Context	bof
Description	This command creates a static route entry for the management Ethernet port in the running configuration and the Boot Option File (BOF). This command allows manual configuration of static routing table entries. These static routes are only used by traffic generated by the Ethernet port. To reduce configuration, manual address aggregation should be applied where possible. A static default (0.0.0.0 or 0) route cannot be configured on the management Ethernet port. A maximum of ten static routes can be configured on the management Ethernet port. The no form of the command deletes the static route.
Default	No default routes are configured.
Parameters	<i>ip-prefix\ip-prefix-length</i> — The destination address of the static route in dotted decimal notation.

100 — The destination address of the static route in dotted decimal notation.

Values ip-prefix|ip-prefix-length: ipv4-prefix a.b.c.d (host bits must be zero) ipv4-prefix-length 0 — 32

Values Values mask — The subnet mask, expressed as an integer or in dotted decimal notation. 1 — 32 (mask length), 128.0.0.0 — 255.255.255.255 (dotted decimal)

next-hop *ip-address* — The next hop IP address used to reach the destination.

The destination address of the static route in dotted decimal notation.

eth-mgmt-speed

Syntax speed *speed*

Context bof

Description This command configures the speed for the management Ethernet port when Auto-negotiation is disabled in the running configuration and the Boot Option File (BOF).

If the port is configured to Auto-negotiate, this parameter is ignored.

Default speed 100 — 100 M/bps operation.

Parameters 10 — Sets the link to 10 M/bps speed.

100 — Sets the link to 100 M/bps speed.

active | standby — Specifies which CPM Ethernet address is being configured: the active CPM Ethernet or the standby CPM Ethernet.

Default active

next-hop *ip-address* — The next hop IP address used to reach the destination.

DNS Configuration Commands

dns-domain

Syntax	dns-domain <i>dns-name</i> no dns-domain
Context	bof
Description	This command configures the domain name used when performing DNS address resolution. This is a required parameter if DNS address resolution is required. Only a single domain name can be configured. If multiple domain statements are configured, the last one encountered is used. The no form of the command removes the domain name from the configuration.
Default	no dns-domain — No DNS domain name is configured.
Parameters	<i>dns-name</i> — Specifies the DNS domain name up to 32 characters in length.

primary-dns

Syntax	primary-dns <i>ip-address</i> no primary-dns
Context	bof
Description	This command configures the primary DNS server used for DNS name resolution. DNS name resolution can be used when executing ping, traceroute, and service-ping, and also when defining file URLs. DNS name resolution is not supported when DNS names are embedded in configuration files. The no form of the command removes the primary DNS server from the configuration.
Default	no primary-dns — No primary DNS server is configured.
Parameters	<i>ip-address</i> — The IP address of the primary DNS server. Values ipv4-address - a.b.c.d

secondary-dns

	[no] secondary-dns <i>ip-address</i>
Context	bof
Description	This command configures the secondary DNS server for DNS name resolution. The secondary DNS server is used only if the primary DNS server does not respond.

File Management Commands

DNS name resolution can be used when executing ping, traceroute, and service-ping, and also when defining file URLs. DNS name resolution is not supported when DNS names are embedded in configuration files.

The **no** form of the command removes the secondary DNS server from the configuration.

Default **no secondary-dns** — No secondary DNS server is configured.

Parameters *ip-address* — The IP address of the secondary DNS server.

Values ipv4-address - a.b.c.d

tertiary-dns

Syntax **tertiary-dns** *ip-address*
no tertiary-dns

Context bof

Description This command configures the tertiary DNS server for DNS name resolution. The tertiary DNS server is used only if the primary DNS server and the secondary DNS server do not respond.

DNS name resolution can be used when executing ping, traceroute, and service-ping, and also when defining file URLs. DNS name resolution is not supported when DNS names are embedded in configuration files.

The **no** form of the command removes the tertiary DNS server from the configuration.

Default **no tertiary-dns** — No tertiary DNS server is configured.

Parameters *ip-address* — The IP address of the tertiary DNS server.

Values ipv4-address - a.b.c.d

Show Commands

bof

Syntax	bof [<i>cflash-id</i> booted]
Context	show
Description	This command displays the Boot Option File (BOF) executed on last system boot or on the specified device. If no device is specified, the BOF used in the last system boot displays. If the BOF has been modified since the system boot, a message displays.
Parameters	<i>cflash-id</i> . The cflash directory name. Values <i>cf1</i> : <i>booted</i> — Displays the boot option file used to boot the system.
Output	Show BOF Fields — The following table describes BOF output fields.

Table 15: Show BOF Output Fields

Label	Description
<i>primary-image</i>	The primary location of the directory that contains the runtime images of both CPM and IOM.
<i>primary-config</i>	The primary location of the file that contains the configuration.
<i>primary-dns</i>	The primary DNS server for resolution of host names to IP addresses.
<i>secondary-image</i>	The secondary location of the directory that contains the runtime images of both CPM and IOM.
<i>secondary-config</i>	The secondary location of the file that contains the configuration.
<i>secondary-dns</i>	The secondary DNS server for resolution of host names to IP addresses.
<i>tertiary-image</i>	The tertiary location of the directory that contains the runtime images of both CPM and IOM.
<i>tertiary-config</i>	The tertiary location of the file that contains the configuration.
<i>tertiary-dns</i>	The tertiary DNS server for resolution of host names to IP addresses.
<i>persist</i>	<i>on</i> — Persistent indexes between system reboots is enabled. <i>off</i> — Persistent indexes between system reboots is disabled.
<i>wait</i>	The time configured for the boot to pause while waiting for console input.

Table 15: Show BOF Output Fields (Continued)

Label	Description
autonegotiate	No autonegotiate – Autonegotiate not enabled. autonegotiate – Autonegotiate is enabled.
console speed	The console port baud rate.
ping-address	The IPv4 IP address to be used for ping-test after auto-init.
dns domain	The domain name used when performing DNS address resolution.
uplinkA-address	Displays the Uplink-A IP address.
uplinkA-port	Displays the primary port to be used for auto-boot.
uplinkA-route	Displays the static route associated with Uplink-A.
uplinkA-vlan	Displays the VLAN ID to be used on Uplink-A.
uplinkB-address	Displays the Uplink-B IP address.
uplinkB-port	Displays the secondary port to be used for auto-boot.
uplinkB-route	Displays the static route associated with Uplink-B.
uplinkB-vlan	Displays the VLAN ID to be used on Uplink-B.

Sample Output

```
*A:ALA# show bof cf1:
=====
BOF on cf1:
=====
    primary-image      ftp://*: *@10.135.16.90/./images/auto-boot/solution/bothx.tim
    secondary-image    ftp://*: *@10.135.16.90/./images/auto-boot/solution/bothx.tim
    tertiary-image     ftp://*: *@10.135.16.90/./images/auto-boot/solution/both.tim
    primary-dns        135.254.244.204
    dns-domain         in.lucent.com
    ping 10.135.16.90
#uplinkA Port Settings:
    uplinkA-port       1/1/1
    uplinkA-address    192.168.1.11/24
    uplinkA-vlan       0
    uplinkA-route      10.135.0.0/16 next-hop 192.168.1.1
#uplinkB Port Settings:
    uplinkB-port       1/1/2
    uplinkB-address    0
    uplinkB-vlan       0
#System Settings:
    wait               3
    persist             on
    console-speed      115200
=====
*A:ALA#
*A:ALA# show bof booted
```

```

=====
System booted with BOF
=====
primary-image      ftp://*:~@10.135.16.90/./images/auto-boot/solution/bothx.tim
secondary-image   ftp://*:~@10.135.16.90/./images/auto-boot/solution/bothx.tim
tertiary-image    ftp://*:~@10.135.16.90/./images/auto-boot/solution/bothx.tim
primary-dns       135.254.244.204
dns-domain        in.lucent.com
ping-address      10.135.16.90
#uplinkA Port Settings:
uplinkA-port      1/1/1
uplinkA-address   192.168.1.11/24
uplinkA-vlan      0
uplinkA-route     10.135.0.0/16 next-hop 192.168.1.1
#uplinkB Port Settings:
uplinkB-port      1/1/2
uplinkB-address   0
uplinkB-vlan      0
#System Settings:
wait              3
persist           on
console-speed     115200
=====
*A:ALA#

```

boot-messages

Syntax	boot-messages
Context	show
Description	This command displays boot messages generated during the last system boot.
Output	Show Boot Messages Fields — The following output shows boot message output fields.

Sample Output

```
=====
cf1:/bootlog.txt
=====
Bootlog started for Version V-0.0.I317
Build V-0.0.I317 bootrom/mpc 7xxx
Built on Tue Jan 6 02:23:14 IST 2009 by panosbld in /panosbld/ws/panos/main

?Attempting to load from file cf1:/boot.tim
Version L-0.0.I312, Fri Jan 2 04:26:32 IST 2009 by panosbld in /panosbld/ws/panos/
main
text:(3002475-->12623392) + data:(550940-->2414128)
Starting at 0xb000000...

Total Memory: 512MB Chassis Type: sas Card Type: badami_7210
TiMOS-L-0.0.I312 boot/mpc ALCATEL SAS-E 7210 Copyright (c) 2000-2009 Alcatel-Lucent.
All rights reserved. All use subject to applicable license agreements.
Built on Fri Jan 2 04:26:32 IST 2009 by panosbld in /panosbld/ws/panos/main

TiMOS BOOT LOADER
Extended checks enabled with overhead of 36B
Time from clock is THU JAN 08 16:04:05 2009 UTC
Switching serial output to sync mode... done

Looking for cf1:/bof.cfg ... OK, reading

Contents of Boot Options File on cf1:
  primary-image      ftp://*:192.168.170.22/import/panos_nightly_builds/1.0/B1-
12/STU-sultan/both.tim
  primary-config     cf1:\config.cfg
#uplinkA Port Settings:
  uplinkA-port       1/1/13
  uplinkA-address    10.135.17.246/24
  uplinkA-vlan       null
  uplinkA-route      10.135.0.0/16 next-hop 10.135.17.1
  uplinkA-route      192.168.0.0/16 next-hop 10.135.17.1
#uplinkB Port Settings:
  uplinkB-port       1/1/2
  uplinkB-address    0
  uplinkB-vlan       0
#System Settings:
  wait               3
  persist            off
  console-speed      115200

Hit a key within 1 second to change boot parms...
```

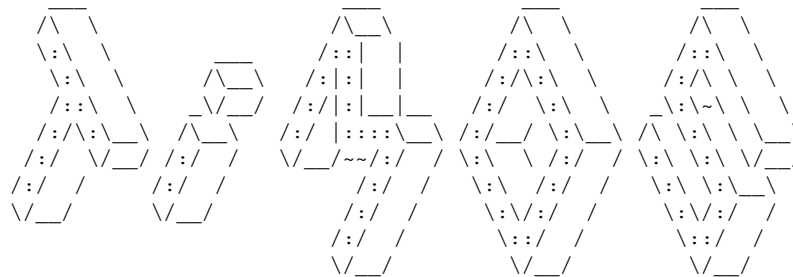
```

Configuring Network with uplinkA Port Setting....
Primary config file present at: cf1:\config.cfg

Primary image location: ftp://*:*@192.168.170.22/import/panos_nightly_builds/1.0/B1-12/STU-sultan/both.tim
Initializing uplinkA port using IP addr 10.135.17.246.
Loading image ftp://*:*@192.168.170.22/import/panos_nightly_builds/1.0/B1-12/STU-sultan/both.tim
Version B-1.0.B1-12, Wed Jan 7 00:58:35 IST 2009 by builder in /builder/ws/panos/main
text:(27022791-->84574868) + data:(1921023-->10720420)
Executing TiMOS image at 0x100000

Total Memory: 512MB Chassis Type: sas Card Type: badami_7210
TiMOS-B-1.0.B1-12 both/mpc ALCATEL 7210 Copyright (c) 2000-2009 Alcatel-Lucent.
All rights reserved. All use subject to applicable license agreements.
Built on Wed Jan 7 00:58:35 IST 2009 by builder in /builder/ws/panos/main

```



Time from clock is THU JAN 08 16:05:20 2009 UTC

```

Attempting to exec primary configuration file:
'cf1:\config.cfg' ...
System Configuration
System Security Configuration
Log Configuration
System Security Cpm Hw Filters Configuration
QoS Slope and Queue Policies Configuration
Port Scheduler Policies Configuration
Card Configuration
Port Configuration
Management Router Configuration
Router (Network Side) Configuration
Static Route Configuration
Service Configuration
Router (Service Side) Configuration
Executed 234 lines in 0.1 seconds from file cf1:\config.cfg

```

```

INFO: CLI #1008 The SNMP daemon is disabled. To enable SNMP, execute the command
'config>system>snmp no shutdown'.
TiMOS-B-1.0.B1-12 both/mpc ALCATEL SAS-E 7210 Copyright (c) 2000-2008 Alcatel-Lucent.
All rights reserved. All use subject to applicable license agreements.
Built on Wed Jan 7 00:58:35 IST 2009 by builder in /builder/ws/panos/main

```

Login:

Show Commands

System Management

In This Chapter

This chapter provides information about configuring basic system management parameters.

Topics in this chapter include:

- [System Management Parameters on page 152](#)
 - [System Information on page 152](#)
 - [System Name on page 152](#)
 - [System Contact on page 152](#)
 - [System Location on page 153](#)
 - [System Coordinates on page 153](#)
 - [Naming Objects on page 153](#)
 - [Naming Objects on page 153](#)
 - [System Time on page 155](#)
 - [Time Zones on page 155](#)
 - [Network Time Protocol \(NTP\) on page 157](#)
 - [SNTP Time Synchronization on page 158](#)
 - [CRON on page 159](#)
- [High Availability on page 160](#)
 - [High Availability Features on page 160](#)
 - [High Availability Features on page 160](#)
 - [Redundancy on page 160](#)

System Management Parameters

System management commands allow you to configure basic system management functions such as the system name, the router's location and coordinates, and CLI code as well as time zones, Network Time Protocol (NTP), Simple Network Time Protocol (SNTP) properties, CRON and synchronization properties.

System Information

System information components include:

- [System Name on page 152](#)
 - [System Contact on page 152](#)
 - [System Location on page 153](#)
 - [System Coordinates on page 153](#)
 - [Naming Objects on page 153](#)
-

System Name

The system name is the MIB II (RFC 1907, *Management Information Base for Version 2 of the Simple Network Management Protocol (SNMPv2)*) sysName object. By convention, this text string is the node's fully-qualified domain name. The system name can be any ASCII printable text string of up to 32 characters.

System Contact

The system contact is the MIB II sysContact object. By convention, this text string is a textual identification of the contact person for this managed node, together with information on how to contact this person. The system contact can be any ASCII printable text string of up to 80 characters.

System Location

The system location is the MIB II sysLocation object which is a text string conventionally used to describe the node's physical location, for example, "Bldg MV-11, 1st Floor, Room 101". The system location can be any ASCII printable text string of up to 80 characters.

System Coordinates

The system coordinates is the Alcatel-Lucent Chassis MIB tmnxChassisCoordinates object. This text string indicates the Global Positioning System (GPS) coordinates of the location of the chassis.

Two-dimensional GPS positioning offers latitude and longitude information as a four dimensional vector:

<direction, hours, minutes, seconds>

where *direction* is one of the four basic values: N, S, W, E, *hours* ranges from 0 to 180 (for latitude) and 0 to 90 for longitude, and minutes and seconds range from 0 to 60.

<W, 122, 56, 89> is an example of longitude and <N, 85, 66, 43> is an example of latitude.

System coordinates can be expressed in different notations, examples include:

- N 45 58 23, W 34 56 12
- N37 37' 00 latitude, W122 22' 00 longitude
- N36*39.246' W121*40.121

The system coordinates can be any ASCII printable text string up to 80 characters.

Naming Objects

It is discouraged to configure named objects with a name that starts with "_tmnx_" and with "_" in general.

Common Language Location Identifier

A Common Language Location Identifier (CLLI) code string for the device is an 11-character standardized geographic identifier that uniquely identifies the geographic location of places and certain functional categories of equipment unique to the telecommunications industry. The CLLI code is stored in the Alcatel-Lucent Chassis MIB `tmnxChassisCLLICode` object.

The CLLI code can be any ASCII printable text string of up to 11 characters.

System Time

routers are equipped with a real-time system clock for time keeping purposes. When set, the system clock always operates on Coordinated Universal Time (UTC), but the software has options for local time translation as well as system clock synchronization.

System time parameters include:

- [Time Zones on page 155](#)
- [Network Time Protocol \(NTP\) on page 157](#)
- [SNTP Time Synchronization on page 158](#)
- [CRON on page 159](#)

Time Zones

Setting a time zone in allows for times to be displayed in the local time rather than in UTC. The has both user-defined and system defined time zones.

A user-defined time zone has a user assigned name of up to four printable ASCII characters in length and unique from the system-defined time zones. For user-defined time zones, the offset from UTC is configured as well as any summer time adjustment for the time zone.

The system-defined time zones are listed in [Table 16](#) which includes both time zones with and without summer time correction.

Table 16: System-defined Time Zones

Acronym	Time Zone Name	UTC Offset
Europe:		
GMT	Greenwich Mean Time	UTC
BST	British Summer Time	UTC +1
IST	Irish Summer Time	UTC +1*
WET	Western Europe Time	UTC
WEST	Western Europe Summer Time	UTC +1
CET	Central Europe Time	UTC +1
CEST	Central Europe Summer Time	UTC +2
EET	Eastern Europe Time	UTC +2
EEST	Eastern Europe Summer Time	UTC +3

Table 16: System-defined Time Zones (Continued)

Acronym	Time Zone Name	UTC Offset
MSK	Moscow Time	UTC +3
MSD	Moscow Summer Time	UTC +4
US and Canada		
AST	Atlantic Standard Time	UTC -4
ADT	Atlantic Daylight Time	UTC -3
EST	Eastern Standard Time	UTC -5
EDT	Eastern Daylight Saving Time	UTC -4
ET	Eastern Time	Either as EST or EDT, depending on place and time of year
CST	Central Standard Time	UTC -6
CDT	Central Daylight Saving Time	UTC -5
CT	Central Time	Either as CST or CDT, depending on place and time of year
MST	Mountain Standard Time	UTC -7
MDT	Mountain Daylight Saving Time	UTC -6
MT	Mountain Time	Either as MST or MDT, depending on place and time of year
PST	Pacific Standard Time	UTC -8
PDT	Pacific Daylight Saving Time	UTC -7
PT	Pacific Time	Either as PST or PDT, depending on place and time of year
HST	Hawaiian Standard Time	UTC -10
AKST	Alaska Standard Time	UTC -9
AKDT	Alaska Standard Daylight Saving Time	UTC -8
Australia		
AWST	Western Standard Time (e.g., Perth)	UTC +8
ACST	Central Standard Time (e.g., Darwin)	UTC +9.5
AEST	Eastern Standard/Summer Time (e.g., Canberra)	UTC +10

Network Time Protocol (NTP)

NTP is the Network Time Protocol defined in RFC 1305, *Network Time Protocol (Version 3) Specification, Implementation and Analysis*. It allows for the participating network nodes to keep time more accurately and more importantly they can maintain time in a more synchronized fashion between all participating network nodes.

NTP uses stratum levels to define the number of hops from a reference clock. The reference clock is considered to be a stratum-0 device that is assumed to be accurate with little or no delay. Stratum-0 servers cannot be used in a network. However, they can be directly connected to devices that operate as stratum-1 servers. A stratum-1 server is an NTP server with a directly-connected device that provides Coordinated Universal Time (UTC), such as a GPS or atomic clock. The 7210 SAS E device cannot act as stratum-1 servers but can act as stratum-2 devices as a network connection to an NTP server is required.

The higher stratum levels are separated from the stratum-1 server over a network path, thus, a stratum-2 server receives its time over a network link from a stratum-1 server. A stratum-3 server receives its time over a network link from a stratum-2 server.

The following NTP elements are supported:

- Server mode — In this mode, the node advertises the ability to act as a clock source for other network elements. In this mode, the node will, by default, transmit NTP packets in NTP version 4 mode.
- Authentication keys — Increased security support in carrier and other network has been implemented. Both DES and MD5 authentication are supported as well as multiple keys.
- Operation in symmetric active mode — This capability requires that NTP be synchronized with a specific node that is considered more trustworthy or accurate than other nodes carrying NTP in the system. This mode requires that a specific peer is set.
- Broadcastmode — When operating in this mode, the node will receive or send using a broadcast address.
- Alert when NTP server is not available — When none of the configured servers are reachable on the node, the system reverts to manual timekeeping and issues a critical alarm. When a server becomes available, a trap is issued indicating that standard operation has resumed.
- NTP and SNTP — If both NTP and SNTP are enabled on the node, then SNTP transitions to an operationally down state. If NTP is removed from the configuration or shut down, then SNTP resumes an operationally up state.
- Gradual clock adjustment — As several applications (such as Service Assurance Agent (SAA)) can use the clock, and if determined that a major (128 ms or more) adjustment needs to be performed, the adjustment is performed by programmatically stepping the clock. If a minor (less than 128 ms) adjustment must be performed, then the adjustment is performed by either speeding up or slowing down the clock.

- In order to avoid the generation of too many events/trap the NTP module will rate limit the generation of events/traps to three per second. At that point a single trap will be generated that indicates that event/trap squashing is taking place.
-

SNTP Time Synchronization

For synchronizing the system clock with outside time sources, the 7210 SAS E OS software includes a Simple Network Time Protocol (SNTP) client. As defined in RFC 2030, SNTP Version 4 is an adaptation of the Network Time Protocol (NTP). SNTP typically provides time accuracy within 100 milliseconds of the time source. SNTP can only receive the time from NTP servers; it cannot be used to provide time services to other systems. SNTP is a compact, client-only version of NTP. SNTP does not authenticate traffic.

SNTP can be configured in both unicast client modes (point-to-point) and broadcast client modes (point-to-multipoint). SNTP should be used only at the extremities of the synchronization subnet. SNTP clients should operate only at the highest stratum (leaves) of the subnet and in configurations where no NTP or SNTP client is dependent on another SNTP client for synchronization. SNTP time servers should operate only at the root (stratum 1) of the subnet and then only in configurations where no other source of synchronization other than a reliable radio clock is available.

In the 7210 SAS E OS software, the SNTP client can be configured for either broadcast or unicast client mode.

CRON

The CRON feature supports the Service Assurance Agent (SAA) functions as well as the ability to schedule turning on and off policies to meet “Time of Day” requirements. CRON functionality includes the ability to specify the commands that need to be run, when they will be scheduled, including one-time only functionality (oneshot), interval and calendar functions, as well as where to store the output of the results. In addition, CRON can specify the relationship between input, output and schedule. Scheduled reboots, peer turn ups, service assurance agent tests and more can all be scheduled with Cron, as well as OAM events, such as connectivity checks, or troubleshooting runs.

CRON features are saved to the configuration file.

CRON features run serially with at least 255 separate schedules and scripts. Each instance can support a schedule where the event is executed any number of times.

The following CRON elements are supported:

- Action — Parameters for a script including the maximum amount of time to keep the results from a script run, the maximum amount of time a script may run, the maximum number of script runs to store and the location to store the results.
- Schedule — The schedule function configures the type of schedule to run, including one-time only (oneshot), periodic or calendar-based runs. All runs are determined by month, day of month or weekday, hour, minute and interval (seconds).
- Script — The script command opens a new nodal context which contains information on a script.
- Time Range — ACLs and QoS policy configurations may be enhanced to support time based matching. CRON configuration includes time matching with the 'schedule' sub-command. Schedules are based on events; time-range defines an end-time used as a match criteria.
- Time of Day — Time of Day (TOD) suites are useful when configuring many types of time-based policies or when a large number of SAPs require the same type of TOD changes. The TOD suite may be configured while using specific ingress or egress ACLs or QoS policies, and is an enhancement of the ingress and egress CLI trees.

High Availability

This section discusses the high availability routing options and features available to service providers that help diminish vulnerability at the network or service provider edge and alleviate the effect of a lengthy outage on IP networks.

High availability is an important feature in service provider routing systems. High availability is gaining momentum due to the unprecedented growth of IP services and applications in service provider networks driven by the demand from the enterprise and residential communities. Downtime can be very costly, and, in addition to lost revenue, customer information and business-critical communications can be lost. High availability is the combination of continuous uptime over long periods (Mean Time Between Failures (MTBF)) and the speed at which failover or recovery occurs (Mean Time To Repair (MTTR)).

The popularity of high availability routing is evident at the network or service provider edge where thousands of connections are hosted and rerouting options around a failed piece of equipment can often be limiting. Or, a single access link exists to a customer because of additional costs for redundant links. As service providers converge business-critical services such as real-time voice (VoIP), video, and VPN applications over their IP networks, high availability becomes much more stringent compared to the requirements for best-effort data. Network and service availability become critical aspects when offering advanced IP services which dictates that IP routers that are used to construct the foundations of these networks be resilient to component and software outages.

High Availability Features

As more and more critical commercial applications move onto the IP networks, providing high availability services becomes increasingly important. This section describes high availability features for devices.

- [Redundancy on page 160](#)
 - [Component Redundancy on page 161](#)
-

Redundancy

The redundancy features enable the duplication of data elements to maintain service continuation in case of outages or component failure.

Component Redundancy

7210 SAS-Series component redundancy is critical to reduce MTTR for the system and primarily consists of the following features:

- Redundant power supply — A power module can be removed without impact on traffic.
- Fan module — The fan module contains three fans. Failure of one or more fans does not impact traffic.
- Hot swap — The power supply and fan module supports hot swapping.

System Configuration Process Overview

Figure 10 displays the process to provision basic system parameters.

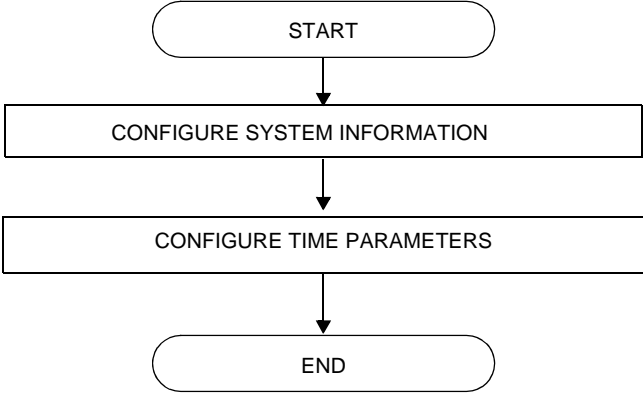


Figure 10: System Configuration and Implementation Flow

Configuration Notes

This section describes system configuration caveats.

General

- The 7210 SAS device must be properly initialized and the boot loader and BOF files successfully executed in order to access the CLI.

Configuring System Management with CLI

This section provides information about configuring system management features with CLI.

Topics in this chapter include:

- [Basic System Configuration on page 167](#)
- [Common Configuration Tasks on page 168](#)
- [System Information on page 169](#)
 - [System Information Parameters](#)
 - [Name on page 170](#)
 - [Contact on page 170](#)
 - [Location on page 171](#)
 - [CLLI Code on page 171](#)
 - [Coordinates on page 172](#)
 - [System Time Elements on page 173](#)
 - [Zone on page 173](#)
 - [Summer Time Conditions on page 175](#)
 - [NTP on page 176](#)
 - [SNTP on page 181](#)
 - [CRON on page 183](#)
- [System Administration Parameters on page 195](#)
 - [Validating the Golden Bootstrap Image on page 195](#)
 - [Updating the Golden Bootstrap Image on page 196](#)
 - [Disconnect on page 196](#)
 - [Set-time on page 197](#)
 - [Display-config on page 197](#)
 - [Tech-support on page 199](#)
 - [Save on page 199](#)
 - [Reboot on page 200](#)
 - [Post-Boot Configuration Extension Files on page 201](#)
- [Configuring System Monitoring Thresholds on page 204](#)

System Management

Saving Configurations

Whenever configuration changes are made, the modified configuration must be saved so the changes will not be lost when the system is rebooted. The system uses the configuration and image files, as well as other operational parameters necessary for system initialization, according to the locations specified in the boot option file (BOF) parameters. For more information about boot option files, refer to the *Boot Option Files* section of this manual.

Configuration files are saved by executing *implicit* or *explicit* command syntax.

- An *explicit* save writes the configuration to the location specified in the `save` command syntax (the *file-url* option).
- An *implicit* save writes the configuration to the file specified in the primary configuration location.

If the *file-url* option is not specified in the `save` command syntax, the system attempts to save the current configuration to the current BOF primary configuration source. If the primary configuration source (path and/or filename) changed since the last boot, the new configuration source is used.

The `save` command includes an option to save both default and non-default configuration parameters (the *detail* option).

The *index* option specifies that the system preserves system indexes when a save command is executed, regardless of the persistent status in the BOF file. During a subsequent boot, the index file is read along with the configuration file. As a result, a number of system indexes are preserved between reboots, including the interface index, LSP IDs, path IDs, etc. This reduces resynchronizations of the Network Management System (NMS) with the affected network element.

If the save attempt fails at the destination, an error occurs and is logged. The system does not try to save the file to the secondary or tertiary configuration sources unless the path and filename are explicitly named with the `save` command.

Basic System Configuration

This section provides information to configure system parameters and provides configuration examples of common configuration tasks. The minimal system parameters that should be configured are:

- [System Information Parameters on page 170](#)
- [System Time Elements on page 173](#)

The following example displays a basic system configuration:

```
A:ALA-12>config>system# info
#-----
echo "System Configuration "
#-----
      name "ALA-12"
      coordinates "Unknown"
      snmp
      exit
      security
        snmp
          community "private" rwa version both
        exit
      exit
      time
        ntp
          server 192.168.15.221
          no shutdown
        exit
        snmp
          shutdown
        exit
      zone GMT
      exit
#-----
A:ALA-12>config>system#
```

Common Configuration Tasks

This section provides a brief overview of the tasks that must be performed to configure system parameters and provides the CLI commands.

- [System Information on page 169](#)
 - [Name on page 170](#)
 - [Contact on page 170](#)
 - [Location on page 171](#)
 - [CLLI Code on page 171](#)
 - [Coordinates on page 172](#)
- [System Time Elements on page 173](#)
 - [Zone on page 173](#)
 - [Summer Time Conditions on page 175](#)
 - [NTP on page 176](#)
 - [SNTP on page 181](#)
 - [CRON on page 183](#)
 - [Time Range on page 186](#)
 - [Time of Day on page 190](#)
- [System Administration Parameters on page 195](#)
 - [Disconnect on page 196](#)
 - [Set-time on page 197](#)
 - [Display-config on page 197](#)
 - [Reboot on page 200](#)
 - [Save on page 199](#)

System Information

This section covers the basic system information parameters to configure the physical location of the , contact information, location information such as the place the router is located such as an address, floor, room number, etc., global positioning system (GPS) coordinates, and system name.

Use the CLI syntax displayed below to configure the following system components:

- [System Information Parameters on page 170](#)
- [System Time Elements on page 173](#)

General system parameters include:

- [Name on page 170](#)
- [Contact on page 170](#)
- [Location on page 171](#)
- [CLLI Code on page 171](#)
- [Coordinates on page 172](#)

System Information Parameters

Name

Use the `system` command to configure a name for the device. The name is used in the prompt string. Only one system name can be configured, if multiple system names are configured the last one encountered overwrites the previous entry. Use the following CLI syntax to configure the system name:

CLI Syntax: `config>system`
`name system-name`

Example: `alcatel>config>system# name ALA-12`

The following example displays the system name:

```
sysName@domain>config>system# info
#-----
echo "System Configuration "
#-----
      name "ALA-12"
. . .
      exit
#-----
sysName@domain>config>system#
```

Contact

Use the `contact` command to specify the name of a system administrator, IT staff member, or other administrative entity.

CLI Syntax: `config>system`
`contact contact-name`

Example: `config>system# contact "Fred Information Technology"`

Location

Use the `location` command to specify the system location of the device. For example, enter the city, building address, floor, room number, etc., where the router is located.

Use the following CLI syntax to configure the location:

CLI Syntax: `config>system`
`location location`

Example: `config>system# location "Bldg.1-floor 2-Room 201"`

CLLI Code

The Common Language Location Code (CLLI code) is an 11-character standardized geographic identifier that is used to uniquely identify the geographic location of a router.

Use the following CLI command syntax to define the CLLI code:

CLI Syntax: `config>system`
`clli-code clli-code`

Example: `config>system# clli-code abcdefg1234`

Coordinates

Use the optional `coordinates` command to specify the GPS location of the device. If the string contains special characters (`#`, `$`, spaces, etc.), the entire string must be enclosed within double quotes.

Use the following CLI syntax to configure the location:

CLI Syntax: `config>system`
`coordinates coordinates`

Example: `config>system# coordinates "N 45 58 23, W 34 56 12"`

The following example displays the configuration output of the general system commands:

```
sysName@domain>config>system# info
#-----
echo "System Configuration "
#-----
    name "ALA-12"
    contact "Fred Information Technology"
    location "Bldg.1-floor 2-Room 201"
    cli-code "abcdefg1234"
    coordinates "N 45 58 23, W 34 56 12"

. . .
    exit
-----
A:ALA-12>config>system#
```

System Time Elements

The system clock maintains time according to Coordinated Universal Time (UTC). Configure information time zone and summer time (daylight savings time) parameters to correctly display time according to the local time zone.

Time elements include:

- [Zone on page 173](#)
- [Summer Time Conditions on page 175](#)
- [NTP on page 176](#)
- [SNTP on page 181](#)
- [CRON on page 183](#)
 - [Time Range on page 186](#)
 - [Time of Day on page 190](#)

Zone

The `zone` command sets the time zone and/or time zone offset for the device. The 7210-SAS OS supports system-defined and user-defined time zones. The system-defined time zones are listed in [Table 17](#).

CLI Syntax: `config>system>time`
`zone std-zone-name|non-std-zone-name [hh [:mm]]`

Example: `config>system>time#`
`config>system>time# zone GMT`

The following example displays the zone output:

```
A:ALA-12>config>system>time# info
-----
ntp
  server 192.168.15.221
  no shutdown
exit
sntp
  shutdown
exit
zone UTC
-----
A:ALA-12>config>system>time#
```

Table 17: System-defined Time Zones

Acronym	Time Zone Name	UTC Offset
Europe:		
GMT	Greenwich Mean Time	UTC
WET	Western Europe Time	UTC
WEST	Western Europe Summer Time	UTC +1 hour
CET	Central Europe Time	UTC +1 hour
CEST	Central Europe Summer Time	UTC +2 hours
EET	Eastern Europe Time	UTC +2 hours
EEST	Eastern Europe Summer Time	UTC +3 hours
MSK	Moscow Time	UTC +3 hours
MSD	Moscow Summer Time	UTC +4 hours
US and Canada:		
AST	Atlantic Standard Time	UTC -4 hours
ADT	Atlantic Daylight Time	UTC -3 hours
EST	Eastern Standard Time	UTC -5 hours
EDT	Eastern Daylight Saving Time	UTC -4 hours
CST	Central Standard Time	UTC -6 hours
CDT	Central Daylight Saving Time	UTC -5 hours
MST	Mountain Standard Time	UTC -7 hours
MDT	Mountain Daylight Saving Time	UTC -6 hours
PST	Pacific Standard Time	UTC -8 hours
PDT	Pacific Daylight Saving Time	UTC -7 hours
HST	Hawaiian Standard Time	UTC -10 hours
AKST	Alaska Standard Time	UTC -9 hours
AKDT	Alaska Standard Daylight Saving Time	UTC -8 hours
Australia and New Zealand:		
AWST	Western Standard Time (e.g., Perth)	UTC +8 hours
ACST	Central Standard Time (e.g., Darwin)	UTC +9.5 hours
AEST	Eastern Standard/Summer Time (e.g., Canberra)	UTC +10 hours
NZT	New Zealand Standard Time	UTC +12 hours
NZDT	New Zealand Daylight Saving Time	UTC +13 hours

Summer Time Conditions

The **config>system>time>dst-zone** context configures the start and end dates and offset for summer time or daylight savings time to override system defaults or for user defined time zones.

When configured, the time will be adjusted by adding the configured offset when summer time starts and subtracting the configured offset when summer time ends.

CLI Syntax:

```
config>system>time
  dst-zone zone-name
    end {end-week} {end-day} {end-month} [hours-minutes]
    offset offset
    start {start-week} {start-day} {start-month} [hours-minutes]
```

Example:

```
config>system# time
config>system>time# dst-zone pt
config>system>time>dst-zone# start second sunday april 02:00
end first sunday october 02:00
config>system>time>dst-zone# offset 0
```

If the time zone configured is listed in [Table 17](#), then the starting and ending parameters and offset do not need to be configured with this command unless there is a need to override the system defaults. The command will return an error if the start and ending dates and times are not available either in [Table 17](#) or entered as optional parameters in this command.

The following example displays the configured parameters.

```
A:ALA-48>config>system>time>dst-zone# info
-----
start second sunday april 02:00
end first sunday october 02:00
offset 0
-----
A:ALA-48>config>system>time>dst-zone# offset 0
```

NTP

Network Time Protocol (NTP) is defined in RFC 1305, *Network Time Protocol (Version 3) Specification, Implementation and Analysis*. It allows for participating network nodes to keep time more accurately and maintain time in a synchronized manner between all participating network nodes.

NTP time elements include:

- [Authentication-check on page 176](#)
 - [Authentication-key on page 177](#)
 - [Broadcast on page 177](#)
 - [Broadcastclient on page 178](#)
 - [NTP-Server on page 179](#)
 - [Server on page 180](#)
-

Authentication-check

The authentication-check command provides for the option to skip the rejection of NTP PDUs that do not match the authentication key or authentication type requirements. The default behavior when authentication is configured is to reject all NTP protocol PDUs that have a mismatch in either the authentication key-id, type, or key.

When authentication-check is configured, NTP PDUs are authenticated on receipt. However, mismatches cause a counter to be increased, one counter for key-id, one for type, and one for key value mismatches.

CLI Syntax: `config>system>time>ntp
authentication-check`

Example: `config>system>time>ntp#
config>system>time>ntp# authentication-check
config>system>time>ntp# no shutdown`

Authentication-key

This command configures an authentication key-id, key type, and key used to authenticate NTP PDUs sent to and received from other network elements participating in the NTP protocol. For authentication to work, the authentication key-id, authentication type and authentication key value must match.

CLI Syntax: `config>system>time>ntp
authentication-key key-id {key key} [hash | hash2] type
{des | message-digest}`

Example: `config>system>time>ntp#
config>system>time>ntp# authentication-key 1 key A type des
config>system>time>ntp# no shutdown`

The following example shows NTP disabled with the `authentication-key` parameter enabled.

```
A:sim1>config>system>time>ntp# info
-----
                shutdown
                authentication-key 1 key "OAwgNULbZgI" hash2 type des
-----
A:sim1>config>system>time>ntp#
```

Broadcast

The `broadcast` command is used to transmit broadcast packets on a given subnet.

CLI Syntax: `config>system>time>ntp
broadcast [router router-name] {interface
ip-int-name> [key-id key-id] [version version]
[t1t1]`

Example: `config>system>time>ntp#
config>system>time>ntp# broadcast interface int11 version 4
t1 127
config>system>time>ntp# no shutdown`

The following example in the `system>time` context shows NTP enabled with the `broadcast` command configured.

```
A:sim1>config>system>time# info detail
-----
                ntp
                no shutdown
                authentication-check
                ntp-server
                broadcast interface int11 version 4 t1 127
```

Common Configuration Tasks

```
exit
A:sim1>config>system>time#
```

The following example in the config context shows NTP enabled with the broadcast command configured. At this level, the NTP broadcast commands are displayed at the end of the output after the router interfaces are shown.

```
A:sim1>config info
....
#-----
echo "System Time NTP Configuration"
#-----
system
time
ntp
broadcast interface toboth
exit
exit
exit
A:sim1>config
```

Broadcastclient

The `broadcastclient` command enables listening to NTP broadcast messages on the specified interface.

CLI Syntax: `config>system>time>ntp`
`broadcastclient [router router-name] {interface`
`ip-int-name} [authenticate]`

Example: `config>system>time>ntp#`
`config>system>time>ntp# broadcastclient interface int11`
`config>system>time>ntp# no shutdown`

The following example shows NTP enabled with the `broadcastclient` parameter enabled.

```
A:ALA-12>config>system>time# info
-----
ntp
broadcastclient interface int11
no shutdown
exit
dst-zone PT
start second sunday april 02:00
end first sunday october 02:00
offset 0
exit
zone UTC
-----
A:ALA-12>config>system>time#
```

NTP-Server

This command configures the node to assume the role of an NTP server. Unless the server command is used this node will function as an NTP client only and will not distribute the time to downstream network elements. If an authentication key-id is specified in this command, the NTP server requires client packets to be authenticated.

CLI Syntax: `config>system>time>ntp`
`ntp-server [transmit key-id]`

Example: `config>system>time>ntp#`
`config>system>time>ntp# ntp-server transmit 1`
`config>system>time>ntp# no shutdown`

The following example shows NTP enabled with the `ntp-server` command configured.

```
A:sim1>config>system>time>ntp# info
-----
no shutdown
ntp-server
-----
A:sim1>config>system>time>ntp#
```

Peer

Configuration of an NTP peer configures symmetric active mode for the configured peer. Although any system can be configured to peer with any other NTP node, it is recommended to configure authentication and to configure known time servers as their peers. Use the **no** form of the command to remove the configured peer.

CLI Syntax: `config>system>time>ntp`
`peer ip-address [version version] [key-id key-id]`
`[prefer]`

Example: `config>system>time>ntp#`
`config>system>time>ntp# peer 192.168.1.1 key-id 1`
`config>system>time>ntp# no shutdown`

The following example shows NTP enabled with the `peer` command configured.

```
A:sim1>config>system>time>ntp# info
-----
no shutdown
peer 192.168.1.1 key-id 1
-----
A:sim1>config>system>time>ntp#
```

Server

The `Server` command is used when the node should operate in client mode with the NTP server specified in the address field. Use the **no** form of this command to remove the server with the specified address from the configuration.

Up to five NTP servers can be configured.

CLI Syntax: `config>system>time>ntp`
`server ip-address [key-id key-id] [version version]`
`[prefer]`

Example: `config>system>time>ntp#`
`config>system>time>ntp# server 192.168.1.1 key-id 1`
`config>system>time>ntp# no shutdown`

The following example shows NTP enabled with the `server` command configured.

```
A:sim1>config>system>time>ntp# info
-----
no shutdown
server 192.168.1.1 key 1
-----
A:sim1>config>system>time>ntp#
```

SNTP

SNTP is a compact, client-only version of the NTP. SNTP can only receive the time from SNTP/NTP servers; it cannot be used to provide time services to other systems. SNTP can be configured in either broadcast or unicast client mode.

SNTP time elements include:

- [Broadcast-client on page 181](#)
- [Server-address on page 182](#)

CLI Syntax:

```
config>system
  time
    sntp
      broadcast-client
      server-address ip-address [version version-number]
        [normal|preferred] [interval seconds]
      no shutdown
```

Broadcast-client

The **broadcast-client** command enables listening at the global device level to SNTP broadcast messages on interfaces with broadcast client enabled.

CLI Syntax:

```
config>system>time>sntp
  broadcast-client
```

Example:

```
config>system>time>sntp#
config>system>time>sntp# broadcast-client
config>system>time>sntp# no shutdown
```

The following example shows SNTP enabled with the **broadcast-client** command enabled.

```
A:ALA-12>config>system>time# info
-----
      sntp
        broadcast-client
        no shutdown
      exit
      dst-zone PT
        start second sunday april 02:00
        end first sunday october 02:00
        offset 0
      exit
      zone GMT
-----
A:ALA-12>config>system>time#
```

Server-address

The **server-address** command configures an SNTP server for SNTP unicast client mode.

CLI Syntax: `config>system>time>sntp#`
`config>system>time>sntp# server-address ip-address version version-`
`number] [normal|preferred] [interval seconds]`

Example: `config>system>time>sntp#`
`config>system>time# server-address 10.10.0.94 version`
`1 preferred interval 100`

The following example shows SNTP enabled with the **server-address** command configured.

```
A:ALA-12>config>system>time# info
-----
      sntp
        server-address 10.10.0.94 version 1 preferred interval 100
        no shutdown
      exit
      dst-zone PT start-date 2006/04/04 12:00 end-date 2006/10/25 12:00
      zone GMT
-----
A:ALA-12>config>system>time#
```

CRON

The CRON command supports the Service Assurance Agent (SAA) functions as well as the ability to schedule turning on and off policies to meet “Time of Day” requirements. CRON functionality includes the ability to specify the commands that need to be run, when they will be scheduled, including one-time only functionality (oneshot), interval and calendar functions, as well as where to store the output of the results. In addition, CRON can specify the relationship between input, output and schedule. Scheduled reboots, peer turn ups, service assurance agent tests and more can all be scheduled with Cron, as well as OAM events, such as connectivity checks, or troubleshooting runs.

CRON elements include:

- [Action](#)
- [Schedule](#)
- [Script](#)
- [Time Range](#)
- [Time of Day](#)

Action

Parameters for a script including the maximum amount of time to keep the results from a script run, the maximum amount of time a script may run, the maximum number of script runs to store and the location to store the results.

CLI Syntax: `config>cron`

```

    action action-name [owner action-owner]
        expire-time {seconds|forever}
        lifetime {seconds|forever}
        max-completed unsigned
        results file-url
        script script-name [owner script-owner]
        shutdown
  
```

Example:`config>cron# action test`
`config>cron>action# results ftp://172.22.184.249/./sim1/test-results`
`config>cron>action# no shut`

The following example shows a script named “test” receiving an action to store its results in a file called “test-results”:

```

A:sim1>config>cron# info
-----
    script "test"
        location "ftp://172.22.184.249/./sim1/test.cfg"
  
```

```

        no shutdown
    exit
    action "test"
        results "ftp://172.22.184.249/./sim1/test-results"
        no shutdown
    exit
-----
A:sim1>config>cron# script

```

Schedule

The schedule function configures the type of schedule to run, including one-time only (oneshot), periodic or calendar-based runs. All runs are determined by month, day of month or weekday, hour, minute and interval (seconds). If end-time and interval are both configured, whichever condition is reached first is applied.

CLI Syntax: config>cron

```

    schedule schedule-name [owner schedule-owner]
        action action-name [owner owner-name]
        count number
        day-of-month {day-number [..day-number] |all}
        description description-string
        end-time [date/day-name] time
        hour {hour-number [..hour-number] | all}
        interval seconds
        minute {minute-number [..minute-number] |all}
        month {month-number [..month-number] |month-name
            [..month-name] |all}
        no shutdown
        type {periodic|calendar|oneshot}
        weekday {weekday-number [..weekday-number] |day-name
            [..day-name] |all}
        shutdown

```

Example: config>cron# schedule test2
 config>cron>sched# day-of-month 17
 config>cron>sched# end-time 2007/07/17 12:00
 config>cron>sched# minute 0 15 30 45
 config>cron>sched# weekday friday
 config>cron>sched# shut

The following example schedules a script named “test2” to run every 15 minutes on the 17th of each month and every Friday until noon on July 17, 2007:

```

*A:SR-3>config>cron# info
-----
    schedule "test2"
        shutdown
        day-of-month 17
        minute 0 15 30 45
        weekday friday

```

```

        end-time 2007/07/17 12:00
        exit
-----
*A:SR-3>config>cron#

```

Script

The script command opens a new nodal context which contains information on a script.

CLI Syntax: config>cron

```

        script script-name [owner script-owner]
        description description-string
        location file-url
        shutdown

```

Example: config>cron# script test
 config>cron>script#

The following example names a script “test”:

```

A:sim1>config>cron# info
-----
        script "test"
        location "ftp://172.22.184.249/./sim1/test.cfg"
        no shutdown
        exit
-----
A:sim1>config>cron#

```

Time Range

ACLs and QoS policy configurations may be enhanced to support time based matching. CRON configuration includes time matching with the 'schedule' sub-command. Schedules are based on events; time-range defines an end-time and will be used as a match criteria.

Time range elements include:

- [Create on page 186](#)
 - [Absolute on page 186](#)
 - [Daily on page 187](#)
 - [Weekdays on page 188](#)
 - [Weekend on page 188](#)
 - [Weekly on page 189](#)
-

Create

Use this command to enable the time-range context.

The following example creates a time-range called test1.

CLI Syntax: `config>cron>
time-range name create`

Example: `config>cron# time-range test1 create
config>cron>time-range$`

Absolute

The absolute command configures a start and end time that will not repeat.

CLI Syntax: `config>cron>time-range$
absolute absolute-time end absolute-time`

Example: `config>cron>time-range$ absolute start 2006/05/05,11:00 end
2006/05/06,11:01
config>cron>time-range$`

The following example shows an absolute time range beginning on May 5, 2006 at 11:00 and ending May 6, 2006 at 11:01:

```
A:sim1>config>cron>time-range# show cron time-range detail
=====
Cron time-range details
=====
Name       : test1
Triggers   : 0
Status     : Inactive
Absolute   : start 2006/05/05,11:00 end 2006/05/06,11:01
=====
A:sim1>config>cron>time-range#
```

Daily

The daily command configures the start and end of a periodic schedule for every day of the week (Sunday through Saturday).

CLI Syntax: config>cron>time-range\$
 daily start *time-of-day* end *time-of-day*

Example: config>cron>time-range\$ daily start 11:00 end 12:00
 config>cron>time-range\$

The following example shows a daily time range beginning at 11:00 and ending at 12:00.

```
A:sim1>config>cron>time-range# show cron time-range detail
=====
Cron time-range details
=====
Name       : 1
Triggers   : 0
Status     : Inactive
Periodic   : daily   Start 11:00 End 12:00
=====
A:sim1>config>cron>time-range#
```

Weekdays

The weekdays command configures the start and end of a periodic schedule for weekdays (Monday through Friday).

CLI Syntax: config>cron>time-range\$
 weekdays start *time-of-day* end *time-of-day*

Example: config>cron>time-range\$ weekdays start 11:00 end 12:00
 config>cron>time-range\$

The following command shows a time range beginning at 11:00 and ending at 12:00. This schedule runs all weekdays during this time period.

```
A:sim1>config>cron>time-range# show cron time-range detail
=====
Cron time-range details
=====
Name           : 1
Triggers       : 0
Status         : Inactive
Periodic       : weekdays Start 11:00 End 12:00
=====
A:sim1>config>cron>time-range#
```

Weekend

The weekend command configures the start and end of a periodic schedule for weekends (Saturday and Sunday). The resolution must be at least one minute apart, for example, start at 11:00 and end at 11:01. A start time and end time of 11:00 is invalid.

CLI Syntax: config>cron>time-range\$
 weekend start *time-of-day* end *time-of-day*

Example: config>cron>time-range\$ weekend start 11:00 end 12:00
 config>cron>time-range\$

The following command shows a weekend time range beginning at 11:00am and ending at 12:00pm, both Saturday and Sunday.

To specify 11:00am to 12:00pm on Saturday or Sunday only, use the [Absolute](#) parameter for one day, or the [Weekly](#) parameter for every Saturday or Sunday accordingly. In addition, see the [Schedule](#) parameter to schedule oneshot or periodic events in the config>cron> context.

```
A:sim1>config>cron>time-range# show cron time-range detail
=====
Cron time-range details
=====
Name           : 1
Triggers       : 0
```

```
Status      : Inactive
Periodic    : weekend Start 11:00 End 12:00
```

Weekly

The weekly command configures the start and end of a periodic schedule for the same day every week, for example, every Friday. The start and end dates must be the same. The resolution must be at least one minute apart, for example, start at 11:00 and end at 11:01. A start time and end time of 11:00 is invalid.

CLI Syntax: `config>cron>time-range$`
`weekly start time-in-week end time-in-week`

Example: `config>cron>time-range$ start fri,01:01 end fri,01:02`
`config>cron>time-range$`

The following command shows a weekly time range beginning on Friday at 1:01am ending Friday at 1:02am.

```
A:sim1>config>cron>time-range$ info
-----
      weekly start fri,01:01 end fri,01:02
-----
A:sim1>config>cron>time-range$
```

Time of Day

Time of Day (TOD) suites are useful when configuring many types of time-based policies or when a large number of subscribers or SAPs require the same type of TOD changes. The TOD suite may be configured while using specific ingress or egress ACLs or QoS policies, and is an enhancement of the ingress and egress CLI trees.

Time of day elements include:

- [SAPs on page 190](#)
 - [Egress on page 190](#)
 - [Ingress on page 192](#)
-

SAPs

- If a TOD Suite is assigned to a SAP, statistics collection are not collected for that SAP.
 - When an item is configured both on SAP level and in the TOD suite assigned to the SAP, the TOD-suite defined value takes precedence.
 - A policy or filter assignment configured directly on a SAP has a lower priority than any assignment in a TOD Suite. Hence, it is possible that a new direct configuration has no immediate effect. If the configuration is made by CLI, a warning is given.
-

Egress

This command is an enhancement for specific egress policies. Use this command to create time-range based associations of previously created filter lists, QoS and scheduler policies. Multiple policies may be included and each must be assigned a different priority; in case time-ranges overlap, the priority will be used to determine the prevailing policy. Only a single reference to a policy may be included without a time-range.

Filters

In a TOD suite, filters that have entries with time-ranges may not be selected. Similarly, filter entries with a time-range may not be created while a TOD suite refers to that filter. QoS policies and filters referred to by a TOD suite must have scope “template” (default).

The following syntax is used to configure TOD-suite egress parameters.

```
CLI Syntax:  config
                cron
                tod-suite tod-suite-name create
                egress
                    filter ip ip-filter-id [time-range time-range-name]
                        [priority priority]
                    filter mac mac-filter-id[time-range time-range-
                        name] [priority priority]
```

```
Example:  config>cron>tod-suite$ egress filter ip 100
config>cron>tod-suite$
```

The following command shows an egress IP filter association with filter ID 100.

```
sim1>config>filter# ip-filter 100 create
A:sim1>config>filter>ip-filter$ entry 10 create
A:sim1>config>filter>ip-filter>entry$
A:sim1>config>cron>tod-suite# egress filter ip 100
A:sim1>config>cron>tod-suite# info detail
-----
      no description
      egress
        filter ip 100
      exit
-----
A:sim1>config>cron>tod-suite#
```

Ingress

This command is an enhancement for specific ingress policies including filter lists and QoS policies. Use this command to create time-range based associations of previously created filter lists QoS policies. Multiple policies may be included and each must be assigned a different priority; in case time-ranges overlap, the priority will be used to determine the prevailing policy. Only a single reference to a policy may be included without a time-range. To configure a daily time-range across midnight, use a combination of two entries. An entry that starts at hour zero will take over from an entry that ends at hour 24.

CLI Syntax:

```
config>system
      cron
          tod-suite tod-suite-name create
              ingress
                  filter ip ip-filter-id [time-range time-range-name]
                      [priority priority]
                  filter mac mac-filter-id[time-range time-range-
                      name] [priority priority]
                  qos policy-id [time-range time-range-name] [priori-
                      ty priority]
```

Example:

```
config>cron>tod-suite$ ingress filter ip 100
config>cron>tod-suite$
```

The following command shows an ingress IP filter association with filter ID 100.

```
sim1>config>filter# ip-filter 100 create
A:sim1>config>filter>ip-filter$ entry 10 create
A:sim1>config>filter>ip-filter>entry$
...
A:sim1>config>cron>tod-suite# ingress filter ip 100
A:sim1>config>cron>tod-suite# info detail
-----
          no description
          ingress
              filter ip 100
          exit
-----
A:sim1>config>cron>tod-suite#
```

Example: config>cron>tod-suite\$ ingress qos 101
config>cron>tod-suite\$

The following command shows an association with ingress QoS-SAP policy 101.

```
A:sim1>config>qos# sap-egress 101 create
...
A:sim1>config>cron>tod-suite# ingress qos 101
A:sim1>config>cron>tod-suite# info detail
-----
      no description
      ingress
      qos 101
      exit
-----
A:sim1>config>cron>tod-suite#
```

Configuring Backup Copies

The `config-backup` command allows you to specify the maximum number of backup versions of configuration and index files kept in the primary location.

For example, assume the **config-backup** *count* is set to **5** and the configuration file is called *xyz.cfg*. When a **save** command is executed, the file *xyz.cfg* is saved with a .1 extension. Each subsequent **config-backup** command increments the numeric extension until the maximum count is reached. The oldest file (**5**) is deleted as more recent files are saved.

```
xyz.cfg
xyz.cfg.1
xyz.cfg.2
xyz.cfg.3
xyz.cfg.4
xyz.cfg.5
xyz.ndx
```

Each persistent index file is updated at the same time as the associated configuration file. When the index file is updated, then the save is performed to *xyz.cfg* and the index file is created as *xyz.ndx*. Synchronization between the active and standby is performed for all configurations and their associated persistent index files.

CLI Syntax: `config>system`
`config-backup count`

Example: `config>system#`
`config>system# config-backup 7`

The following example shows the `config-backup` configuration.

```
A:ALA-12>config>system>time# info
#-----
echo "System Configuration"
#-----
      name "ALA-12"
      contact "Fred Information Technology"
      location "Bldg.1-floor 2-Room 201"
      clli-code "abcdefg1234"
      coordinates "N 45 58 23, W 34 56 12"
      config-backup 7
...
#-----
A:ALA-12>config>system>time#
```

System Administration Parameters

Use the CLI syntax displayed below to configure various system administration parameters.

Administrative parameters include:

- [Validating the Golden Bootstrap Image on page 195](#)
 - [Updating the Golden Bootstrap Image on page 196](#)
 - [Disconnect on page 196](#)
 - [Set-time on page 197](#)
 - [Display-config on page 197](#)
 - [Save on page 199](#)
 - [Reboot on page 200](#)
 - [Post-Boot Configuration Extension Files on page 201](#)
-

Validating the Golden Bootstrap Image

The **admin>check-golden-bootstrap** command validates the current golden bootstrap image, and displays its version. A default golden bootstrap image is installed on every 7210 SAS E unit.

CLI Syntax: admin
 check-golden-bootstrap

Example: admin# check-golden-bootstrap

The following example displays the output.

```
version TiMOS-L-0.0.I312
Golden Bootstrap Image validation successful
```

Updating the Golden Bootstrap Image

The **admin>update-golden-bootstrap** command validates the input file, which must be a 7210 SAS E bootstrap image, and updates the golden bootstrap image with the contents of this file.

CLI Syntax: admin
 update-golden-bootstrap [<file-url>]

Example: admin# update-golden-bootstrap boot.tim

The following is an example of the output.

```
Updating Golden Bootstrap Image from "boot.tim"
This operation must not be interrupted
Updating Golden Bootstrap image .... Completed.
```

Disconnect

The `disconnect` command immediately disconnects a user from a console, Telnet, FTP, or SSH session.

Note: Configuration modifications are saved to the primary image file.

CLI Syntax: admin
 disconnect [address *ip-address* |username *user-name* |
 {console|telnet|ftp|ssh}]

Example: admin# disconnect

The following example displays the disconnect command results.

```
ALA-1>admin# disconnect
ALA-1>admin# Logged out by the administrator
Connection to host lost.

C:\>
```

Set-time

Use the **set-time** command to set the system date and time. The time entered should be accurate for the time zone configured for the system. The system will convert the local time to UTC before saving to the system clock which is always set to UTC. If SNTP or NTP is enabled (no shutdown) then this command cannot be used. The set-time command does not take into account any daylight saving offset if defined.

CLI Syntax: admin
 set-time *date time*

Example: admin# set-time 2007/02/06 04:10:00

The following example displays the set-time command results.

```
ALA-2# admin set-time 2007/02/06 04:10:00
ALA-2# show time
Thu Feb 2 04:10:04 GMT 2007
ALA-2#
```

Display-config

The **display-config** command displays the system's running configuration.

CLI Syntax: admin
 display-config [detail] [index]

Example: admin# display-config detail

The following example displays a portion of the **display-config detail** command results.

```
A:ALA-12>admin# display-config detail

exit all
configure
#-----
echo "System Configuration"
#-----
system
  name "ALA-12"
  contact "Fred Information Technology"
  location "Bldg.1-floor 2-Room 201"
  clli-code "abcdefg1234"
  coordinates "N 45 58 23, W 34 56 12"
  config-backup 7
  boot-good-exec "ftp://test:test@192.168.xx.xxx/./lxx.cfg.A"
  boot-bad-exec "ftp://test:test@192.168.xx.xxx/./lxx.cfg.1"
  lACP-system-priority 1
```

System Administration Parameters

```
no synchronize
snmp
  shutdown
  engineID "0000197f000000000467ff00"
  packet-size 1500
  general-port 161
exit
login-control
  ftp
    inbound-max-sessions 3
  exit
  telnet
    inbound-max-sessions 5
    outbound-max-sessions 2
  exit
  idle-timeout 1440
  pre-login-message "Property of Service Routing Inc.Unauthorized access prohib-
ited."
  motd text "Notice to all users: Software upgrade scheduled 3/2 1:00 AM"
exit
security
  management-access-filter
  default-action permit
  entry 1
    no description
...
A:ALA-12>admin#
```

Tech-support

The `tech-support` command creates a system core dump. **NOTE:** This command should only be used with explicit authorization and direction from Alcatel-Lucent's Technical Assistance Center (TAC).

Save

The `save` command saves the running configuration to a configuration file. When the `debug-save` parameter is specified, debug configurations are saved in the config file. If this parameter is not specified, debug configurations are not saved between reboots.

CLI Syntax: admin
 save [*file-url*] [detail] [index]
 debug-save [*file-url*]

Example: admin# save ftp://test:test@192.168.x.xx/./1.cfg
 admin# debug-save debugsave.txt

The following example displays the `save` command results.

```
A:ALA-1>admin# save ftp://test:test@192.168.x.xx/./1x.cfg
Writing file to ftp://test:test@192.168.x.xx/./1x.cfg
Saving configuration ...Completed.
ALA-1>admin# debug-save ftp://test:test@192.168.x.xx/./debugsave.txt
Writing file to ftp://julie:julie@192.168.x.xx/./debugsave.txt
Saving debug configuration .....Completed.
A:ALA-1>admin#
```

Reboot

The `reboot` command reboots the router including redundant s in redundant systems. If the `now` option is not specified, you are prompted to confirm the reboot operation. The **reboot upgrade** command forces an upgrade of the boot ROM and reboot.

CLI Syntax: `admin`
`reboot [upgrade] [now]`

Example: `admin# reboot now`

The following example displays the `reboot` command results.

```
A:ALA-1>admin# reboot now
Are you sure you want to reboot (y/n)? y
Rebooting...
Using preloaded VxWorks boot loader.
...
```

When an **admin reboot auto-init** command is issued, the system resets the existing BOF file and reboots. The system startup process after the **admin reboot auto-init** command is executed is the same as the first time system boot as described in [System Intialization on page 96](#).

NOTE: Since the BOF is reset, the system may not boot up with the last saved system configuration unless the new BOF file also uses the same configuration file. If it is required that the system boot up with the last saved system configuration, it is recommended to use the **admin>save file-url** command to save the current system configuration and modify the BOF to use this.

Use the following CLI to reset the BOF and reboot:

CLI Syntax: `admin# reboot auto-init [now]`
Example: `*A:ALA-1# admin reboot auto-init`
WARNING: Configuration and/or Boot options may have changed since the last save.
Are you sure you want to reset the bof and reboot (y/n)? Y
Resetting...OK

Alcatel-Lucent 7210 Boot ROM. Copyright 2000-2008 Alcatel-Lucent.
All rights reserved. All use is subject to applicable license agreements.

Post-Boot Configuration Extension Files

Two post-boot configuration extension files are supported and are triggered when either a successful or failed boot configuration file is processed. The commands specify URLs for the CLI scripts to be run following the completion of the boot-up configuration. A URL must be specified or no action is taken. The commands are persistent between router (re)boots and are included in the configuration saves (admin>save).

CLI Syntax: config>system
 boot-bad-exec *file-url*
 boot-good-exec *file-url*

Example:config>system# boot-bad-exec ftp://test:test@192.168.xx.xxx/./
 fail.cfg
 config>system# boot-good-exec ftp://test:test@192.168.xx.xxx/./
 ok.cfg

The following example displays the command output:

```
*A:ALA# configure system
*A:ALA>config>system# info
-----
#-----
echo "System Configuration"
#-----
      name "ALA"
      boot-good-exec "cf1:\good.cfg"
      boot-bad-exec "cf1:\bad.cfg"
      snmp
        shutdown
      exit
      login-control
        idle-timeout disable
        pre-login-message "ala-1" name
      exit
      time
        ntp
          authentication-key 1 key "SV3BxZCsIvI" hash type message-digest
          server 10.135.16.130
          peer 21.0.0.1 key-id 1
          no shutdown
        exit
        sntp
          server-address 10.135.16.90 preferred
          no shutdown
        exit
      zone UTC
    exit
  thresholds
    rmon
    exit
  exit
```

System Administration Parameters

```
#-----  
echo "System Security Configuration"  
#-----  
    security  
        hash-control read-version all write-version 1  
        telnet-server  
        ftp-server  
        snmp  
            community "private" rwa version both  
            community "public" r version both  
        exit  
        source-address  
            application ftp 10.135.16.97  
            application snmptrap 10.135.16.97  
            application ping 10.135.16.97  
            application dns 10.135.16.97  
        exit  
    exit  
-----  
*A:ALA>config>system#
```

Show Command Output and Console Messages

The `show>system>information` command displays the current value of the bad/good exec URLs and indicates whether a post-boot configuration extension file was executed when the system was booted. If an extension file was executed, the `show>system>information` command also indicates if it completed successfully or not.

When executing a post-boot configuration extension file, status messages are output to the CONSOLE screen prior to the “Login” prompt.

Following is an example of a failed boot-up configuration that caused a boot-bad-exec file containing another error to be executed:

```
Attempting to exec configuration file:
'ftp://test:test@192.168.xx.xxx/./12.cfg' ...
System Configuration
Log Configuration
MAJOR: CLI #1009 An error occurred while processing a CLI command -
File ftp://test:test@192.168.xx.xxx/./12.cfg, Line 195: Command "log" failed.
CRITICAL: CLI #1002 An error occurred while processing the configuration file.
The system configuration is missing or incomplete.
MAJOR: CLI #1008 The SNMP daemon is disabled.
If desired, enable SNMP with the 'config>system>snmp no shutdown' command.
Attempting to exec configuration failure extension file:
'ftp://test:test@192.168.xx.xxx/./fail.cfg' ...
Config fail extension
Enabling SNMP daemon
MAJOR: CLI #1009 An error occurred while processing a CLI command -
File ftp://test:test@192.168.xx.xxx/./fail.cfg, Line 5: Command "abc log" failed.
TiMOS-B-x.0.Rx both/hops ALCATEL Copyright (c) 2000-2009 Alcatel-Lucent.
All rights reserved. All use subject to applicable license agreements.
Built on Thu Nov 207 19:19:11 PST 2008 by builder in /rel5x.0/b1/Rx/panos/main

Login:
```

Configuring System Monitoring Thresholds

Creating Events

The **event** command controls the generation and notification of threshold crossing events configured with the **alarm** command. When a threshold crossing event is triggered, the **rmon event** configuration optionally specifies whether an entry in the RMON-MIB log table be created to record the occurrence of the event. It can also specify whether an SNMP notification (trap) be generated for the event. There are two notifications for threshold crossing events, a rising alarm and a falling alarm.

Creating an event entry in the RMON-MIB log table does not create a corresponding entry in the event logs. However, when the event is set to trap the generation of a rising alarm or falling alarm notification creates an entry in the event logs and that is distributed to whatever log destinations are configured: console, session, memory, file, syslog, or SNMP trap destination. The logger message includes a rising or falling threshold crossing event indicator, the sample type (absolute or delta), the sampled value, the threshold value, the *rmon-alarm-id*, the associated *rmon-event-id* and the sampled SNMP object identifier.

The **alarm** command configures an entry in the RMON-MIB alarm table. The **alarm** command controls the monitoring and triggering of threshold crossing events. In order for notification or logging of a threshold crossing event to occur there must be at least one associated **rmon event** configured.

The agent periodically takes statistical sample values from the MIB variable specified for monitoring and compares them to thresholds that have been configured with the **alarm** command. The **alarm** command configures the MIB variable to be monitored, the polling period (interval), sampling type (absolute or delta value), and rising and falling threshold parameters. If a sample has crossed a threshold value, the associated 'event' is generated.

Preconfigured CLI threshold commands are available. Preconfigured commands hide some of the complexities of configuring RMON alarm and event commands and perform the same function. In particular, the preconfigured commands do not require the user to know the SNMP object identifier to be sampled. The preconfigured threshold configurations include memory warnings and alarms and compact flash usage warnings and alarms.

To create events, use the following CLI:

Example: config>system>thresholds# cflash-cap-warn cf1-B: rising-threshold 2000000 falling-threshold 1999900 interval 240 trap startup-alarm either

Example: config>system>thresholds# memory-use-alarm rising-threshold 50000000 falling-threshold 45999999 interval 500 both startup-alarm either

Example: config>system>thresh# rmon

Example: config>system>thresh>rmon# event 5 both description "alarm testing" owner "Timos CLI"

The following example displays the command output:

```
A:ALA-49>config>system>thresholds# info
-----
      rmon
          event 5 description "alarm testing" owner "Timos CLI"
      exit
      cflash-cap-warn cf1-B: rising-threshold 2000000 falling-threshold 1999900
interval 240 trap
      memory-use-alarm rising-threshold 50000000 falling-threshold 45999999 interval
500
-----
A:ALA-49>config>system>thresholds#
```

System Alarm Contact Inputs

The 7210 SAS platform hardware supports alarm contact inputs that allow an operator to monitor and report changes in the external environmental conditions. In a remote or outdoor deployment, alarm contact inputs allow an operator to detect conditions, for example, air conditioner fault, open door.

An operator can configure generation of events when alarm contact inputs transition between the open and close states. For each generated event, the operator can specify the:

- Action associated with each state transition.
- Severity associated with each state transition.
- Log message associated with each state transition.

System Command Reference

Command Hierarchies

Configuration Commands

- [System Information Commands on page 207](#)
- [System Alarm Commands on page 208](#)
- [System Time Commands on page 209](#)
- [Cron Commands on page 210](#)
- [System Administration \(Admin\) Commands on page 211](#)
- [System Alarm Contact Commands on page 212](#)
- [Show Commands on page 213](#)
- [Debug Commands on page 214](#)
- [Clear Commands on page 214](#)

System Information Commands

```
config
  — system
    — boot-bad-exec file-url
    — no boot-bad-exec
    — boot-good-exec file-url
    — no boot-good-exec
    — cli-code cli-code
    — no cli-code
    — config-backup count
    — no config-backup
    — contact contact-name
    — no contact
    — coordinates coordinates
    — no coordinates
    — lACP-system-priority lACP-system-priority
    — no lACP-system-priority
    — location location
    — no location
    — name system-name
    — no name
```

System Alarm Commands

- config
 - system
 - **thresholds**
 - **cflash-cap-alarm** *cflash-id* **rising-threshold** *threshold* [**falling-threshold** *threshold*] **interval** *seconds* [*rmon-event-type*] [**startup-alarm** *alarm-type*]
 - **no cflash-cap-alarm** *cflash-id*
 - **cflash-cap-warn** *cflash-id* **rising-threshold** *threshold* [**falling-threshold** *threshold*] **interval** *seconds* [*rmon-event-type*] [**startup-alarm** *alarm-type*]
 - **no cflash-cap-warn** *cflash-id*
 - **memory-use-alarm** **rising-threshold** *threshold* [**falling-threshold** *threshold*] **interval** *seconds* [*rmon-event-type*] [**startup-alarm** *alarm-type*]
 - **memory-use-warn** **rising-threshold** *threshold* [**falling-threshold** *threshold*] **interval** *seconds* [*rmon-event-type*] [**startup-alarm** *alarm-type*]
 - **no memory-use-alarm**
 - [no] **rmon**
 - **alarm** *rmon-alarm-id* **variable-oid** *oid-string* **interval** *seconds* [*sample-type*] [**startup-alarm** *alarm-type*] [**rising-event** *rmon-event-id* **rising-threshold** *threshold*] [**falling event** *rmon-event-id* **falling-threshold** *threshold*] [**owner** *owner-string*]
 - **no alarm** *rmon-alarm-id*
 - **event** *rmon-event-id* [*event-type*] [**description** *description-string*] [**owner** *owner-string*]
 - **no event** *rmon-event-id*

System Time Commands

```

root
  — admin
    — set-time [date] [time]
config
  — system
    — time
      — [no] ntp
        — [no] authentication-check
        — authentication-key key-id key key [hash | hash2] type {des | message-digest}
        — no authentication-key key-id
        — [no] broadcast [router router-name] {interface ip-int-name} [key-id key-id]
          [version version] [ttl ttl]
        — broadcastclient [router router-name] {interface ip-int-name} [authenticate]
        — [no] ntp-server [transmit key-id]
        — [no] peer ip-address [version version] [key-id key-id] [prefer]
        — [no] server ip-address [version version] [key-id key-id] [prefer]
        — [no] shutdown
      — [no] sntp
        — [no] broadcast-client
        — server-address ip-address [version version-number] [normal | preferred]
          [interval seconds]
        — no server-address ip-address
        — [no] shutdown
      — [no] dst-zone [std-zone-name | non-std-zone-name]
        — end {end-week} {end-day} {end-month} [hours-minutes]
        — offset offset
        — start {start-week} {start-day} {start-month} [hours-minutes]
      — zone std-zone-name | non-std-zone-name [hh [:mm]]
      — no zone

```

Cron Commands

- ```

config
 — [no] cron
 — [no] action action-name [owner owner-name]
 — expire-time {seconds | forever}
 — lifetime {seconds | forever}
 — max-completed unsigned
 — [no] results file-url
 — [no] script script-name [owner owner-name]
 — [no] shutdown
 — [no] schedule schedule-name [owner owner-name]
 — [no] action action-name [owner owner-name]
 — [no] day-of-month {day-number [..day-number] all}
 — count number
 — [no] description description-string
 — [no] end-time [date/day-name] time
 — [no] hour {..hour-number [..hour-number]|all}
 — [no] interval seconds
 — [no] minute {minute-number [..minute-number]|all}
 — [no] month {month-number [..month-number]|month-name [..month-name]|all}
 — [no] shutdown
 — type {schedule-type}
 — [no] weekday {weekday-number [..weekday-number]|day-name [..day-name]|all}
 — [no] script [no] script script-name [owner owner-name]
 — [no] description description-string
 — [no] Specifies the script name.location file-url
 — [no] shutdown
 — [no] time-range name
 — absolute start start-absolute-time end end-absolute-time
 — no absolute start start-absolute-time
 — daily start start-time-of-day end end-time-of-day
 — no daily start start-time-of-day
 — weekdays start start-time-of-day end end-time-of-day
 — no weekdays start start-time-of-day
 — weekend start start-time-of-day end end-time-of-day
 — no weekend start start-time-of-day
 — weekly start start-time-in-week end end-time-in-week
 — no weekly start start-time-in-week
 — [no] tod-suite
 — egress
 — filter ip ip-filter-id [time-range time-range-name] [priority priority]
 — filter mac mac-filter-id [time-range time-range-name] [priority priority]
 — no filter ip ip-filter-id [time-range time-range-name]
 — no filtermac mac-filter-id [time-range time-range-name]
 — ingress
 — filter ip ip-filter-id [time-range time-range-name] [priority priority]
 — filter mac mac-filter-id [time-range time-range-name] [priority priority]
 — no filter ip ip-filter-id [time-range time-range-name]
 — no filtermac mac-filter-id [time-range time-range-name]

```

## System Administration (Admin) Commands

- root
  - **admin**
    - **check-golden-bootstrap**
    - **debug-save** *file-url*
    - **disconnect** {**address** *ip-address* | **username** *user-name* | **console** | **telnet** | **ftp** | **ssh**}
    - **display-config** [**detail** | **index**]
    - [**no**] **enable-tech**
    - **reboot** [**active** | **standby** | **upgrade**] [**now**]
    - **save** [*file-url*] [**detail**] [**index**]
    - **tech-support** [*file-url*]
    - **update-golden-bootstrap** [*file-url*]

## System Alarm Contact Commands

- config**
  - **system**
    - **alarm-contact-input** *alarm-contact-input-id*
      - **[no] alarm-output-severity** [**critical** | **major** | **none**] (for SAS M only)
      - **[no] alarm-output-severity** [**critical** | **major** | **minor** | **none**] (for SAS Xonly)
      - **[no] clear-alarm-msg** {*alarm-msg-txt*}
      - **description** *description-string*
      - **normal-state** [**open** | **closed**]
      - **[no] shutdown**
      - **[no] trigger-alarm-msg** {*alarm-msg-txt*}

## Show Commands

- ```

show
— alarm-contact-input alarm-contact-input-id detail
— alarm-contact-input all
— chassis [environment] [power-supply]
— cron
  — action
  — schedule
  — script
  — tod-suite tod-suite-name [detail] associations failed-associations
  — time-range name associations [detail]
— time
— system
  — connections [address ip-address [interface interface-name]] [port port-number] [detail]
  — cpu [sample-period seconds]
  — information
  — ntp
  — sntp
  — thresholds
  — time
— uptime
— alarm-contact-input alarm-contact-input-id [detail]
— alarm-contact-input all
— alarm-output-severity all

```

Command Hierarchies

Clear Commands

```
clear
  — screen action-name [owner owner-name]
  — sync-if-timingtrace log
```

Debug Commands

```
debug
  — [no] system
    — ntp [router router-name] [interface ip-int-name]
```

System Command Reference

Generic Commands

shutdown

Syntax	[no] shutdown
Context	config>system>time>ntp config>system>time>sntp config>cron>action config>cron>sched config>cron>script
Description	This command administratively disables the entity. When disabled, an entity does not change, reset, or remove any configuration settings or statistics. The operational state of the entity is disabled as well as the operational state of any entities contained within. Many objects must be shut down before they may be deleted. The no form of this command places the entity into an administratively enabled state.
Default	no shutdown

description

Syntax	description <i>description-string</i> no description
Context	config>cron>sched
Description	This command creates a text description stored in the configuration file for a configuration context. The description command associates a text string with a configuration context to help identify the content in the configuration file. The no form of this command removes the string from the configuration.
Default	No description associated with the configuration context.
Parameters	<i>string</i> — The description character string. Allowed values are any string up to 80 characters long composed of printable, 7-bit ASCII characters. If the string contains special characters (#, \$, spaces, etc.), the entire string must be enclosed within double quotes.

System Information Commands

boot-bad-exec

Syntax	boot-bad-exec <i>file-url</i> no boot-bad-exec																		
Context	config>system																		
Description	<p>Use this command to configure a URL for a CLI script to exec following a failure of a boot-up configuration. The command specifies a URL for the CLI scripts to be run following the completion of the boot-up configuration. A URL must be specified or no action is taken.</p> <p>The commands are persistent between router (re)boots and are included in the configuration saves (admin>save).</p>																		
Default	no boot-bad-exec																		
Parameters	<p><i>file-url</i> — Specifies the location and name of the CLI script file executed following failure of the boot-up configuration file execution. When this parameter is not specified, no CLI script file is executed.</p> <table><tr><td>Values</td><td>file url:</td><td>local-url remote-url: 255 chars max</td></tr><tr><td></td><td>local-url:</td><td>[<i>cflash-id</i>]/[<i>file-path</i>]</td></tr><tr><td></td><td>remote-url:</td><td>[{ftp://} login:pswd@remote-locn/][<i>file-path</i>]</td></tr><tr><td></td><td></td><td>remote-locn [<i>hostname</i> <i>ipv4-address</i>]</td></tr><tr><td></td><td></td><td>ipv4-address a.b.c.d</td></tr><tr><td></td><td>cflash-id:</td><td>cf1:</td></tr></table>	Values	file url:	local-url remote-url: 255 chars max		local-url:	[<i>cflash-id</i>]/[<i>file-path</i>]		remote-url:	[{ftp://} login:pswd@remote-locn/][<i>file-path</i>]			remote-locn [<i>hostname</i> <i>ipv4-address</i>]			ipv4-address a.b.c.d		cflash-id:	cf1:
Values	file url:	local-url remote-url: 255 chars max																	
	local-url:	[<i>cflash-id</i>]/[<i>file-path</i>]																	
	remote-url:	[{ftp://} login:pswd@remote-locn/][<i>file-path</i>]																	
		remote-locn [<i>hostname</i> <i>ipv4-address</i>]																	
		ipv4-address a.b.c.d																	
	cflash-id:	cf1:																	
Related Commands	exec command on page 49 — This command executes the contents of a text file as if they were CLI commands entered at the console.																		

boot-good-exec

Syntax	boot-good-exec <i>file-url</i> no boot-good-exec
Context	config>system
Description	Use this command to configure a URL for a CLI script to exec following the success of a boot-up configuration.
Default	no boot-good-exec
Parameters	<p><i>file-url</i> — Specifies the location and name of the file executed following successful completion of the boot-up configuration file execution. When this parameter is not specified, no CLI script file is executed.</p>

Values	file url:	local-url remote-url: 255 chars max
	local-url:	[<i>cflash-id</i>]/[<i>file-path</i>]
	remote-url:	[{ftp://} login:pswd@remote-locn/][<i>file-path</i>]
		remote-locn [<i>hostname</i> <i>ipv4-address</i>]
		ipv4-address a.b.c.d
	cflash-id:	cf1:

Related Commands **exec command on page 49** — This command executes the contents of a text file as if they were CLI commands entered at the console.

cli-code

Syntax	cli-code <i>cli-code</i> no cli-code
Context	config>system
Description	<p>This command creates a Common Language Location Identifier (CLLI) code string for the router. A CLLI code is an 11-character standardized geographic identifier that uniquely identifies geographic locations and certain functional categories of equipment unique to the telecommunications industry.</p> <p>No CLLI validity checks other than truncating or padding the string to eleven characters are performed.</p> <p>Only one CLLI code can be configured, if multiple CLLI codes are configured the last one entered overwrites the previous entry.</p> <p>The no form of the command removes the CLLI code.</p>
Default	none — No CLLI codes are configured.
Parameters	<i>cli-code</i> — The 11 character string CLLI code. Any printable, seven bit ASCII characters can be used within the string. If the string contains special characters (#, \$, spaces, etc.), the entire string must be enclosed within double quotes. If more than 11 characters are entered, the string is truncated. If less than 11 characters are entered the string is padded with spaces.

config-backup

Syntax	config-backup <i>count</i> no config-backup
Context	config>system
Description	<p>This command configures the maximum number of backup versions maintained for configuration files and BOF.</p> <p>For example, assume the config-backup <i>count</i> is set to 5 and the configuration file is called <i>xyz.cfg</i>. When a save command is executed, the file <i>xyz.cfg</i> is saved with a .1 extension. Each subsequent config-backup command increments the numeric extension until the maximum count is reached.</p> <pre>xyz.cfg xyz.cfg.1 xyz.cfg.2 xyz.cfg.3 xyz.cfg.4 xyz.cfg.5 xyz.ndx</pre> <p>Each persistent index file is updated at the same time as the associated configuration file. When the index file is updated, then the save is performed to <i>xyz.cfg</i> and the index file is created as <i>xyz.ndx</i>. Synchronization between the active and standby is performed for all configurations and their associated persistent index files.</p> <p>The no form of the command returns the configuration to the default value.</p>
Default	5
Parameters	<i>count</i> — The maximum number of backup revisions.
	Values 1 — 9

contact

Syntax	contact <i>contact-name</i> no contact
Context	config>system
Description	<p>This command creates a text string that identifies the contact name for the device.</p> <p>Only one contact can be configured, if multiple contacts are configured the last one entered will overwrite the previous entry.</p> <p>The no form of the command reverts to default.</p>
Default	none — No contact name is configured.

Parameters *contact-name* — The contact name character string. The string can be up to 80 characters long. Any printable, seven-bit ASCII characters can be used within the string. If the string contains special characters (#, \$, spaces, etc.), the entire string must be enclosed within double quotes.

coordinates

Syntax **coordinates** *coordinates*
no coordinates

Context config>system

Description This command creates a text string that identifies the system coordinates for the device location. For example, the command **coordinates** "37.390 -122.0550" is read as latitude 37.390 north and longitude 122.0550 west.

Only one set of coordinates can be configured. If multiple coordinates are configured, the last one entered overwrites the previous entry.

The **no** form of the command reverts to the default value.

Default none — No coordinates are configured.

Parameters *coordinates* — The coordinates describing the device location character string. The string may be up to 80 characters long. Any printable, seven-bit ASCII characters can be used within the string. If the string contains special characters (#, \$, spaces, etc.), the entire string must be enclosed within double quotes. If the coordinates are subsequently used by an algorithm that locates the exact position of this node then the string must match the requirements of the algorithm.

lacp-system-priority

Syntax **lacp-system-priority** *lacp-system-priority*
no lacp-system-priority

Context config>system

Description This command configures the Link Aggregation Control Protocol (LACP) system priority on aggregated Ethernet interfaces. LACP allows the operator to aggregate multiple physical interfaces to form one logical interface.

Default 32768

Parameters *lacp-system-priority* — Specifies the LACP system priority.

Values 1 — 65535

location

Syntax	location <i>location</i> no location
Context	config>system
Description	This command creates a text string that identifies the system location for the device. Only one location can be configured. If multiple locations are configured, the last one entered overwrites the previous entry. The no form of the command reverts to the default value.
Default	none — No system location is configured.
Parameters	<i>location</i> — Enter the location as a character string. The string may be up to 80 characters long. Any printable, seven-bit ASCII characters can be used within the string. If the string contains special characters (#, \$, spaces, etc.), the entire string must be enclosed within double quotes.

name

Syntax	name <i>system-name</i> no name
Context	config>system
Description	This command creates a system name string for the device. For example, system-name parameter ALA-1 for the name command configures the device name as ALA-1. <pre>ABC>config>system# name "ALA-1" ALA-1>config>system#</pre> Only one system name can be configured. If multiple system names are configured, the last one encountered overwrites the previous entry. The no form of the command reverts to the default value.
Default	The default system name is set to the chassis serial number which is read from the backplane EEPROM.
Parameters	<i>system-name</i> — Enter the system name as a character string. The string may be up to 32 characters long. Any printable, seven-bit ASCII characters can be used within the string. If the string contains special characters (#, \$, spaces, etc.), the entire string must be enclosed within double quotes.

System Alarm Commands

alarm

Syntax	alarm <i>rmon-alarm-id</i> variable-oid <i>oid-string</i> interval <i>seconds</i> [<i>sample-type</i>] [startup-alarm <i>alarm-type</i>] [rising-event <i>rmon-event-id</i> rising-threshold <i>threshold</i>] [falling-event <i>rmon-event-id</i> falling-threshold <i>threshold</i>] [owner <i>owner-string</i>] no alarm <i>rmon-alarm-id</i>
Context	config>system>thresholds>rmon
Description	<p>The alarm command configures an entry in the RMON-MIB alarmTable. The alarm command controls the monitoring and triggering of threshold crossing events. In order for notification or logging of a threshold crossing event to occur there must be at least one associated rmon>event configured.</p> <p>The agent periodically takes statistical sample values from the MIB variable specified for monitoring and compares them to thresholds that have been configured with the alarm command. The alarm command configures the MIB variable to be monitored, the polling period (interval), sampling type (absolute or delta value), and rising and falling threshold parameters. If a sample has crossed a threshold value, the associated event is generated.</p> <p>Use the no form of this command to remove an rmon-alarm-id from the configuration.</p>
Parameters	<p><i>rmon-alarm-id</i> — The rmon-alarm-id is a numerical identifier for the alarm being configured. The number of alarms that can be created is limited to 1200.</p> <p>Default None</p> <p>Values 1 — 65535</p> <p>variable-oid <i>oid-string</i> — The oid-string is the SNMP object identifier of the particular variable to be sampled. Only SNMP variables that resolve to an ASN.1 primitive type of integer (integer, Integer32, Counter32, Counter64, Gauge, or TimeTicks) may be sampled. The oid-string may be expressed using either the dotted string notation or as object name plus dotted instance identifier. For example, "1.3.6.1.2.1.2.2.1.10.184582144" or "ifInOctets.184582144".</p> <p>The oid-string has a maximum length of 255 characters</p> <p>Default None</p> <p>interval <i>seconds</i> — The interval in seconds specifies the polling period over which the data is sampled and compared with the rising and falling thresholds. When setting this interval value, care should be taken in the case of 'delta' type sampling - the interval should be set short enough that the sampled variable is very unlikely to increase or decrease by more than 2147483647 - 1 during a single sampling interval. Care should also be taken not to set the interval value too low to avoid creating unnecessary processing overhead.</p> <p>Default None</p> <p>Values 1 — 2147483647</p>

sample-type — Specifies the method of sampling the selected variable and calculating the value to be compared against the thresholds.

Default **Absolute**

Values **absolute** — Specifies that the value of the selected variable will be compared directly with the thresholds at the end of the sampling interval.

delta — Specifies that the value of the selected variable at the last sample will be subtracted from the current value, and the difference compared with the thresholds.

startup-alarm *alarm-type* — Specifies the alarm that may be sent when this alarm is first created.

If the first sample is greater than or equal to the rising threshold value and 'startup-alarm' is equal to 'rising' or 'either', then a single rising threshold crossing event is generated.

If the first sample is less than or equal to the falling threshold value and 'startup-alarm' is equal to 'falling' or 'either', a single falling threshold crossing event is generated.

Default **either**

Values **rising, falling, either**

rising-event *rmon-event-id* — The identifier of the the **rmon>event** that specifies the action to be taken when a rising threshold crossing event occurs.

If there is no corresponding 'event' configured for the specified rmon-event-id, then no association exists and no action is taken.

If the 'rising-event rmon-event-id' has a value of zero (0), no associated event exists.

If a 'rising event rmon-event' is configured, the CLI requires a 'rising-threshold' to also be configured.

Default 0

Values 0 — 65535

rising-threshold *threshold* — Specifies a threshold for the sampled statistic. When the current sampled value is greater than or equal to this threshold, and the value at the last sampling interval was less than this threshold, a single threshold crossing event will be generated. A single threshold crossing event will also be generated if the first sample taken is greater than or equal to this threshold and the associated startup-alarm is equal to rising or either.

After a rising threshold crossing event is generated, another such event will not be generated until the sampled value falls below this threshold and reaches less than or equal the 'falling-threshold' value.

Default 0

Values -2147483648 — 2147483647

falling-event *rmon-event-id* — The identifier of the **rmon>event** that specifies the action to be taken when a falling threshold crossing event occurs. If there is no corresponding event configured for the specified rmon-event-id, then no association exists and no action is taken. If the falling-event has a value of zero (0), no associated event exists.

If a 'falling event' is configured, the CLI requires a 'falling-threshold' to also be configured.

Default 0

Values -2147483648 — 2147483647

falling-threshold *threshold* — Specifies a threshold for the sampled statistic. When the current sampled value is less than or equal to this threshold, and the value at the last sampling interval was greater than this threshold, a single threshold crossing event will be generated. A single threshold crossing event will also be generated if the first sample taken is less than or equal to this threshold and the associated 'startup-alarm' is equal to 'falling' or 'either'.

After a rising threshold crossing event is generated, another such event will not be generated until the sampled value rises above this threshold and reaches greater than or equal the **rising-threshold** *threshold* value.

Default 0

Values -2147483648 — 2147483647

owner *owner* — The owner identifies the creator of this alarm. It defaults to "TiMOS CLI". This parameter is defined primarily to allow entries that have been created in the RMON-MIB alarmTable by remote SNMP managers to be saved and reloaded in a CLI configuration file. The owner will not normally be configured by CLI users and can be a maximum of 80 characters long.

Default TiMOS CLI

Configuration example:

```
alarm 3 variable-oid ifInOctets.184582144 interval 20 sample-type delta start-alarm
either rising-event 5 rising-threshold 10000 falling-event 5 falling-threshold 9000
owner "TiMOS CLI"
```

cflash-cap-alarm

Syntax **cflash-cap-alarm** *cflash-id* **rising-threshold** *threshold* [**falling-threshold** *threshold*]
interval *seconds* [*rmon-event-type*] [**startup-alarm** *alarm-type*]
no cflash-cap-alarm *cflash-id*

Context config>system>thresholds

Description This command enables capacity monitoring of the compact flash specified in this command. The severity level is alarm. Both a rising and falling threshold can be specified.

The **no** form of this command removes the configured compact flash threshold alarm.

Parameters *cflash-id* — The cflash-id specifies the name of the cflash device to be monitored.

Values cf1:, cf1-A:

rising-threshold *threshold* — Specifies a threshold for the sampled statistic. When the current sampled value is greater than or equal to this threshold, and the value at the last sampling interval was less than this threshold, a single threshold crossing event will be generated. A single threshold crossing event will also be generated if the first sample taken is greater than or equal to this threshold and the associated 'startup-alarm' is equal to 'rising' or 'either'.

After a rising threshold crossing event is generated, another such event will not be generated until the sampled value falls below this threshold and reaches less than or equal the 'falling-threshold' value.

Default 0

Values -2147483648 — 2147483647

falling-threshold *threshold* — Specifies a threshold for the sampled statistic. When the current sampled value is less than or equal to this threshold, and the value at the last sampling interval was greater than this threshold, a single threshold crossing event will be generated. A single threshold crossing event will also be generated if the first sample taken is less than or equal to this threshold and the associated startup-alarm is equal to falling or either.

After a rising threshold crossing event is generated, another such event will not be generated until the sampled value raises above this threshold and reaches greater than or equal the rising-threshold value.

Default 0

Values -2147483648 — 2147483647

interval *seconds* — Specifies the polling period, in seconds, over which the data is sampled and compared with the rising and falling thresholds.

Values 1 — 2147483647

rmon-event-type — Specifies the type of notification action to be taken when this event occurs.

Values log — An entry is made in the RMON-MIB log table for each event occurrence. This does not create a TiMOS logger entry. The RMON-MIB log table entries can be viewed using the **show>system>thresholds** CLI command.

trap — A TiMOS logger event is generated. The TiMOS logger utility then distributes the notification of this event to its configured log destinations which may be CONSOLE, telnet session, memory log, cflash file, syslog, or SNMP trap destinations logs.

both — Both a entry in the RMON-MIB logTable and a TiMOS logger event are generated.

none — No action is taken.

Default both

startup-alarm *alarm-type* — Specifies the alarm that may be sent when this alarm is first created.

If the first sample is greater than or equal to the rising threshold value and startup-alarm is equal to rising or either, then a single rising threshold crossing event is generated.

If the first sample is less than or equal to the falling threshold value and startup-alarm is equal to falling or either, a single falling threshold crossing event is generated.

Default either

Values rising, falling, either

Configuration example:

cflash-cap-alarm cf1-A: rising-threshold 50000000 falling-threshold 49999900 interval 120
rmon-event-type both start-alarm rising.

cflash-cap-warn

- Syntax** **cflash-cap-warn** *cflash-id* **rising-threshold** *threshold* [**falling-threshold** *threshold*]
interval *seconds* [*rmon-event-type*] [**startup-alarm** *alarm-type*]
no cflash-cap-warn *cflash-id*
- Context** config>system>thresholds
- Description** This command enables capacity monitoring of the compact flash specified in this command. The severity level is warning. Both a rising and falling threshold can be specified. The no form of this command removes the configured compact flash threshold warning.
- Parameters** *cflash-id* — The cflash-id specifies the name of the cflash device to be monitored.
- Values** cf1:, cf1-A:
- rising-threshold** *threshold* — Specifies a threshold for the sampled statistic. When the current sampled value is greater than or equal to this threshold, and the value at the last sampling interval was less than this threshold, a single threshold crossing event will be generated. A single threshold crossing event will also be generated if the first sample taken is greater than or equal to this threshold and the associated startup-alarm is equal to rising or either.
- After a rising threshold crossing event is generated, another such event will not be generated until the sampled value falls below this threshold and reaches less than or equal the falling-threshold value.
- Default** 0
- Values** -2147483648 — 2147483647
- falling-threshold** *threshold* — Specifies a threshold for the sampled statistic. When the current sampled value is less than or equal to this threshold, and the value at the last sampling interval was greater than this threshold, a single threshold crossing event will be generated. A single threshold crossing event will also be generated if the first sample taken is less than or equal to this threshold and the associated startup-alarm is equal to falling or either.
- After a rising threshold crossing event is generated, another such event will not be generated until the sampled value raises above this threshold and reaches greater than or equal the rising-threshold value.
- Default** 0
- Values** -2147483648 — 2147483647
- interval** *seconds* — Specifies the polling period over which the data is sampled and compared with the rising and falling thresholds.
- Values** 1 — 2147483647
- rmon-event-type** — Specifies the type of notification action to be taken when this event occurs.

- Values**
- log — In the case of log, an entry is made in the RMON-MIB log table for each event occurrence. This does not create a TiMOS logger entry. The RMON-MIB log table entries can be viewed using the show>system>thresholds CLI command.
 - trap — In the case of trap, a TiMOS logger event is generated. The TiMOS logger utility then distributes the notification of this event to its configured log destinations which may be CONSOLE, telnet session , memory log, cflash file, syslog, or SNMP trap destinations logs.
 - both — In the case of both, both a entry in the RMON-MIB logTable and a TiMOS logger event are generated.
 - none — In the case of none, no action is taken.

Default both

startup-alarm *alarm-type* — Specifies the alarm that may be sent when this alarm is first created. If the first sample is greater than or equal to the rising threshold value and startup-alarm is equal to rising or either, then a single rising threshold crossing event is generated. If the first sample is less than or equal to the falling threshold value and startup-alarm is equal to falling or either, a single falling threshold crossing event is generated.

Values rising, falling, either

Default either

Configuration example:

```
cflash-cap-warn cf1-B: rising-threshold 2000000 falling-threshold 1999900 interval 240 rmon-
event-type trap start-alarm either
```

event

Syntax **event** *rmon-event-id* [*event-type*] [**description** *description-string*] [**owner** *owner-string*]
no event *rmon-event-id*

Context config>system>thresholds>rmon

Description The event command configures an entry in the RMON-MIB event table. The event command controls the generation and notification of threshold crossing events configured with the alarm command. When a threshold crossing event is triggered, the **rmon>event** configuration optionally specifies if an entry in the RMON-MIB log table should be created to record the occurrence of the event. It may also specify that an SNMP notification (trap) should be generated for the event. The RMON-MIB defines two notifications for threshold crossing events: Rising Alarm and Falling Alarm.

Creating an event entry in the RMON-MIB log table does not create a corresponding entry in the TiMOS event logs. However, when the **event-type** is set to trap, the generation of a Rising Alarm or Falling Alarm notification creates an entry in the TiMOS event logs and that is distributed to whatever TiMOS log destinations are configured: CONSOLE, session, memory, file, syslog, or SNMP trap destination.

The TiMOS logger message includes a rising or falling threshold crossing event indicator, the sample type (absolute or delta), the sampled value, the threshold value, the RMON-alarm-id, the associated RMON-event-id and the sampled SNMP object identifier.

Use the **no** form of this command to remove an rmon-event-id from the configuration.

Parameters **rmon-event-type** — The rmon-event-type specifies the type of notification action to be taken when this event occurs.

Values log — In the case of log, an entry is made in the RMON-MIB log table for each event occurrence.

This does **not** create a TiMOS logger entry. The RMON-MIB log table entries can be viewed using the **show>system>thresholds** CLI command.

trap — In the case of trap, a TiMOS logger event is generated. The TiMOS logger utility then distributes the notification of this event to its configured log destinations which may be CONSOLE, telnet session , memory log, cflash file, syslog, or SNMP trap destinations logs.

both — In the case of both, both a entry in the RMON-MIB logTable and a TiMOS logger event are generated.

none — In the case of none, no action is taken.

Default both

description — The description is a user configurable string that can be used to identify the purpose of this event. This is an optional parameter and can be 80 characters long. If the string contains special characters (#, \$, spaces, etc.), the entire string must be enclosed within double quotes.

Default An empty string.

owner *owner* — The owner identifies the creator of this alarm. It defaults to "TiMOS CLI". This parameter is defined primarily to allow entries that have been created in the RMON-MIB alarmTable by remote SNMP managers to be saved and reloaded in a CLI configuration file. The owner will not normally be configured by CLI users and can be a maximum of 80 characters long.

Default TiMOS CLI

Configuration example:

Default event 5 rmon-event-type both description "alarm testing" owner "TiMOS CLI"

memory-use-alarm

Syntax	memory-use-alarm rising-threshold <i>threshold</i> [falling-threshold <i>threshold</i>] interval <i>seconds</i> [<i>rmon-event-type</i>] [startup-alarm <i>alarm-type</i>] no memory-use-alarm
Context	config>system>thresholds
Description	<p>The memory thresholds are based on monitoring the TIMETRA-SYSTEM-MIB <code>sgiMemoryUsed</code> object. This object contains the amount of memory currently used by the system. The severity level is Alarm. The absolute sample type method is used.</p> <p>The no form of this command removes the configured memory threshold warning.</p>
Parameters	<p>rising-threshold <i>threshold</i> — Specifies a threshold for the sampled statistic. When the current sampled value is greater than or equal to this threshold, and the value at the last sampling interval was less than this threshold, a single threshold crossing event will be generated. A single threshold crossing event will also be generated if the first sample taken is greater than or equal to this threshold and the associated startup-alarm is equal to rising or either.</p> <p>After a rising threshold crossing event is generated, another such event will not be generated until the sampled value falls below this threshold and reaches less than or equal the falling-threshold value.</p> <p>Default 0</p> <p>Values -2147483648 — 2147483647</p> <p>falling-threshold <i>threshold</i> — Specifies a threshold for the sampled statistic. When the current sampled value is less than or equal to this threshold, and the value at the last sampling interval was greater than this threshold, a single threshold crossing event will be generated. A single threshold crossing event will also be generated if the first sample taken is less than or equal to this threshold and the associated startup-alarm is equal to falling or either.</p> <p>After a rising threshold crossing event is generated, another such event will not be generated until the sampled value raises above this threshold and reaches greater than or equal the rising-threshold threshold value.</p> <p>Default 0</p> <p>Values -2147483648 — 2147483647</p> <p>interval <i>seconds</i> — Specifies the polling period over which the data is sampled and compared with the rising and falling thresholds.</p> <p>Values 1 — 2147483647</p> <p>rmon-event-type — Specifies the type of notification action to be taken when this event occurs.</p> <p>Values <code>log</code> — In the case of log, an entry is made in the RMON-MIB log table for each event occurrence. This does not create an OS logger entry. The RMON-MIB log table entries can be viewed using the CLI command.</p> <p><code>trap</code> — In the case of trap, a TiMOS logger event is generated. The TiMOS logger utility then distributes the notification of this event to its configured log</p>

destinations which may be CONSOLE, telnet session , memory log, cflash file, syslog, or SNMP trap destinations logs.

both — In the case of both, both a entry in the RMON-MIB logTable and a TiMOS logger event are generated.

none — In the case of none, no action is taken.

Default both

startup-alarm *alarm-type* — Specifies the alarm that may be sent when this alarm is first created. If the first sample is greater than or equal to the rising threshold value and startup-alarm is equal to rising or either, then a single rising threshold crossing event is generated. If the first sample is less than or equal to the falling threshold value and startup-alarm is equal to falling or either, a single falling threshold crossing event is generated.

Values rising, falling, either

Default either

Configuration example:

```
memory-use-alarm rising-threshold 50000000 falling-threshold 45999999 interval 500 rmon-
event-type both start-alarm either
```

memory-use-warn

Syntax	memory-use-warn rising-threshold <i>threshold</i> [falling-threshold <i>threshold</i>] interval <i>seconds</i> [<i>rmon-event-type</i>] [startup-alarm <i>alarm-type</i>] no memory-use-warn
Context	config>system>thresholds
Description	The memory thresholds are based on monitoring MemoryUsed object. This object contains the amount of memory currently used by the system. The severity level is Alarm. The absolute sample type method is used. The no form of this command removes the configured compact flash threshold warning.
Parameters	rising-threshold <i>threshold</i> — The rising-threshold specifies a threshold for the sampled statistic. When the current sampled value is greater than or equal to this threshold, and the value at the last sampling interval was less than this threshold, a single threshold crossing event will be generated. A single threshold crossing event will also be generated if the first sample taken is greater than or equal to this threshold and the associated startup-alarm is equal to rising or either. After a rising threshold crossing event is generated, another such event will not be generated until the sampled value falls below this threshold and reaches less than or equal the falling-threshold value. Default 0 Values -2147483648 — 2147483647

falling-threshold *threshold* — The falling-threshold specifies a threshold for the sampled statistic. When the current sampled value is less than or equal to this threshold, and the value at the last sampling interval was greater than this threshold, a single threshold crossing event will be generated. A single threshold crossing event will also be generated if the first sample taken is less than or equal to this threshold and the associated startup-alarm is equal to falling or either.

After a rising threshold crossing event is generated, another such event will not be generated until the sampled value raises above this threshold and reaches greater than or equal the rising-threshold threshold value.

Default 0

Values -2147483648 — 2147483647

interval *seconds* — The interval in seconds specifies the polling period over which the data is sampled and compared with the rising and falling thresholds.

Values 1 — 2147483647

rmon-event-type — Specifies the type of notification action to be taken when this event occurs.

Values log — In the case of log, an entry is made in the RMON-MIB log table for each event occurrence.

This does not create a TiMOS logger entry. The RMON-MIB log table entries can be viewed using the **show>system>thresholds** CLI command.

trap — In the case of trap, a TiMOS logger event is generated. The TiMOS logger utility then distributes the notification of this event to its configured log destinations which may be CONSOLE, telnet session, memory log, cflash file, syslog, or SNMP trap destinations logs.

both — In the case of both, both a entry in the RMON-MIB logTable and a TiMOS logger event are generated.

none — In the case of none, no action is taken.

Default both

Values log, trap, both, none

startup-alarm *alarm-type* — Specifies the alarm that may be sent when this alarm is first created. If the first sample is greater than or equal to the rising threshold value and startup-alarm is equal to rising or either, then a single rising threshold crossing event is generated. If the first sample is less than or equal to the falling threshold value and startup-alarm is equal to falling or either, a single falling threshold crossing event is generated.

Default either

Values rising, falling, either

Configuration example:

```
memory-use-warn rising-threshold 500000 falling-threshold 400000 interval 800 rmon-  
event-type log start-alarm falling
```

rmon

- Syntax** `rmon`
- Context** `config>system>thresholds`
- Description** This command creates the context to configure generic RMON alarms and events. Generic RMON alarms can be created on any SNMP object-ID that is valid for RMON monitoring (for example, an integer-based datatype). The configuration of an event controls the generation and notification of threshold crossing events configured with the alarm command.

thresholds

- Syntax** `thresholds`
- Context** `config>system`
- Description** This command enables the context to configure monitoring thresholds.

Date and Time Commands

set-time

Syntax	set-time [<i>date</i>] [<i>time</i>]						
Context	admin						
Description	<p>This command sets the local system time.</p> <p>The time entered should be accurate for the time zone configured for the system. The system will convert the local time to UTC before saving to the system clock which is always set to UTC. This command does not take into account any daylight saving offset if defined.</p>						
Parameters	<p><i>date</i> — The local date and time accurate to the minute in the YYYY/MM/DD format.</p> <table><tr><td>Values</td><td><i>YYYY</i> is the four-digit year <i>MM</i> is the two-digit month <i>DD</i> is the two-digit date</td></tr></table> <p><i>time</i> — The time (accurate to the second) in the <i>hh:mm[:ss]</i> format. If no seconds value is entered, the seconds are reset to :00.</p> <table><tr><td>Default</td><td>0</td></tr><tr><td>Values</td><td><i>hh</i> is the two-digit hour in 24 hour format (00=midnight, 12=noon) <i>mm</i> is the two-digit minute</td></tr></table>	Values	<i>YYYY</i> is the four-digit year <i>MM</i> is the two-digit month <i>DD</i> is the two-digit date	Default	0	Values	<i>hh</i> is the two-digit hour in 24 hour format (00=midnight, 12=noon) <i>mm</i> is the two-digit minute
Values	<i>YYYY</i> is the four-digit year <i>MM</i> is the two-digit month <i>DD</i> is the two-digit date						
Default	0						
Values	<i>hh</i> is the two-digit hour in 24 hour format (00=midnight, 12=noon) <i>mm</i> is the two-digit minute						

time

Syntax	time
Context	config>system
Description	This command enables the context to configure the system time zone and time synchronization parameters.

Network Time Protocol Commands

ntp

Syntax	[no] ntp
Context	config>system>time
Description	This command enables the context to configure Network Time Protocol (NTP) and its operation. This protocol defines a method to accurately distribute and maintain time for network elements. Furthermore this capability allows for the synchronization of clocks between the various network elements. Use the no form of the command to stop the execution of NTP and remove its configuration.
Default	none

authentication-check

Syntax	[no] authentication-check
Context	config>system>time>ntp
Description	<p>This command provides the option to skip the rejection of NTP PDUs that do not match the authentication key-id, type or key requirements. The default behavior when authentication is configured is to reject all NTP protocol PDUs that have a mismatch in either the authentication key-id, type or key.</p> <p>When authentication-check is enabled, NTP PDUs are authenticated on receipt. However, mismatches cause a counter to be increased, one counter for type and one for key-id, one for type, value mismatches. These counters are visible in a show command.</p> <p>The no form of this command allows authentication mismatches to be accepted; the counters however are maintained.</p>
Default	authentication-check — Rejects authentication mismatches.

authentication-key

Syntax	authentication-key <i>key-id</i> { key <i>key</i> } [hash hash2] type { des message-digest } no authentication-key <i>key-id</i>
Context	config>system>time>ntp
Description	<p>This command sets the authentication key-id, type and key used to authenticate NTP PDUs sent to or received by other network elements participating in the NTP protocol. For authentication to work, the authentication key-id, type and key value must match.</p> <p>The no form of the command removes the authentication key.</p>
Default	none
Parameters	<p><i>key-id</i> — Configure the authentication key-id that will be used by the node when transmitting or receiving Network Time Protocol packets.</p> <p>Entering the authentication-key command with a key-id value that matches an existing configuration key will result in overriding the existing entry.</p> <p>Recipients of the NTP packets must have the same authentication key-id, type, and key value in order to use the data transmitted by this node. This is an optional parameter.</p> <p>Default None</p> <p>Values 1 — 255</p> <p>key — The authentication key associated with the configured key-id, the value configured in this parameter is the actual value used by other network elements to authenticate the NTP packet.</p> <p>The key can be any combination of ASCII characters up to 32 characters in length for message-digest (md5) or 8 characters in length for des (length limits are unencrypted lengths). If spaces are used in the string, enclose the entire string in quotation marks (“ ”).</p> <p>hash — Specifies the key is entered in an encrypted form. If the hash or hash2 parameter is not used, the key is assumed to be in a non-encrypted, clear text form. For security, all keys are stored in encrypted form in the configuration file with the hash or hash2 parameter specified.</p> <p>hash2 — Specifies the key is entered in a more complex encrypted form that involves more variables than the key value alone, this means that hash2 encrypted variable can't be copied and pasted. If the hash or hash2 parameter is not used, the key is assumed to be in a non-encrypted, clear text form. For security, all keys are stored in encrypted form in the configuration file with the hash or hash2 parameter specified.</p> <p>type — This parameter determines if DES or message-digest authentication is used.</p> <p>This is a required parameter; either DES or message-digest must be configured.</p> <p>Values des — Specifies that DES authentication is used for this key message-digest — Specifies that MD5 authentication in accordance with RFC 2104 is used for this key.</p>

broadcast

Syntax	broadcast [router <i>router-name</i>] { interface <i>ip-int-name</i> } [key-id <i>key-id</i>] [version <i>version</i>] [ttl <i>ttl</i>] no broadcast [router <i>router-name</i>] { interface <i>ip-int-name</i> }
Context	config>system>time>ntp
Description	This command configures the node to transmit NTP packets on a given interface. Broadcast and multicast messages can easily be spoofed, thus, authentication is strongly recommended. The no form of this command removes the address from the configuration.
Parameters	<p>router — Specifies the router name used to transmit NTP packets. Base is the default and the only router name supported currently.</p> <p>Values Base</p> <p>Default Base</p> <p>ip-int-name — Specifies the local interface on which to transmit NTP broadcast packets. If the string contains special characters (#, \$, spaces, etc.), the entire string must be enclosed within double quotes.</p> <p>Values 32 character maximum</p> <p>key-id <i>key-id</i> — Identifies the configured authentication key and authentication type used by this node to receive and transmit NTP packets to and from an NTP server and peers. If an NTP packet is received by this node both authentication key and authentication type must be valid otherwise the packet will be rejected and an event/trap generated.</p> <p>Values 1 — 255</p> <p>Default none</p> <p>version <i>version</i> — Specifies the NTP version number that is generated by this node. This parameter does not need to be configured when in client mode in which case all versions will be accepted.</p> <p>Values 1 — 4</p> <p>Default 4</p> <p>tll <i>ttl</i> — Specifies the IP Time To Live (TTL) value.</p> <p>Values 1 — 255</p> <p>Default none</p>

broadcastclient

Syntax	broadcastclient [router <i>router-name</i>] (interface <i>ip-int-name</i>) [authenticate] no broadcastclient [router <i>router-name</i>] (interface <i>ip-int-name</i>)
Context	config>system>time>ntp
Description	<p>When configuring NTP, the node can be configured to receive broadcast packets on a given subnet. Broadcast and multicast messages can easily be spoofed, thus, authentication is strongly recommended. If broadcast is not configured then received NTP broadcast traffic will be ignored. Use the show command to view the state of the configuration.</p> <p>The no form of this command removes the address from the configuration.</p>
Parameters	<p>router <i>router-name</i> — Specifies the router name used to receive NTP packets.</p> <p>Values Base</p> <p>Default Base</p> <p>interface <i>ip-int-name</i> — Specifies the local interface on which to receive NTP broadcast packets. If the string contains special characters (#, \$, spaces, etc.), the entire string must be enclosed within double quotes.</p> <p>Values 32 character maximum</p> <p>authenticate — Specifies whether or not to require authentication of NTP PDUs. When enabled, NTP PDUs are authenticated upon receipt.</p>

ntp-server

Syntax	ntp-server [transmit <i>key-id</i>] no ntp-server
Context	config>system>time>ntp
Description	<p>This command configures the node to assume the role of an NTP server. Unless the server command is used, this node will function as an NTP client only and will not distribute the time to downstream network elements.</p>
Default	no ntp-server
Parameters	<p><i>key-id</i> — If specified, requires client packets to be authenticated.</p> <p>Values 1 — 255</p> <p>Default None</p>

peer

Syntax	peer <i>ip-address</i> [key-id <i>key-id</i>] [version <i>version</i>] [prefer] no peer <i>ip-address</i>
Context	config>system>time>ntp
Description	Configuration of an NTP peer configures symmetric active mode for the configured peer. Although any system can be configured to peer with any other NTP node it is recommended to configure authentication and to configure known time servers as their peers. The no form of the command removes the configured peer.
Parameters	<p><i>ip-address</i> — Configure the IP address of the peer that requires a peering relationship to be set up. This is a required parameter.</p> <p>Default None</p> <p>Values Any valid IP-address</p> <p>key-id <i>key-id</i> — Successful authentication requires that both peers must have configured the same authentication key-id, type and key value.</p> <p>Specify the <i>key-id</i> that identifies the configured authentication key and authentication type used by this node to transmit NTP packets to an NTP peer. If an NTP packet is received by this node, the authentication key-id, type, and key value must be valid otherwise the packet will be rejected and an event/trap generated.</p> <p>Default None</p> <p>Values 1 — 255</p> <p>version <i>version</i> — Specify the NTP version number that is generated by this node. This parameter does not need to be configured when in client mode in which case all three nodes are accepted.</p> <p>Default 4</p> <p>Values 2 — 4</p> <p>prefer — When configuring more than one peer, one remote system can be configured as the preferred peer. When a second peer is configured as preferred, then the new entry overrides the old entry.</p>

server

Syntax	server <i>ip address</i> [key-id <i>key-id</i>] [version <i>version</i>] [prefer] no server <i>ip address</i>
Context	config>system>time>ntp
Description	This command is used when the node should operate in client mode with the ntp server specified in the address field of this command. The no construct of this command removes the server with the specified address from the configuration. Up to five NTP servers can be configured.
Parameters	<i>ip-address</i> — Configure the IP address of a node that acts as an NTP server to this network element. This is a required parameter. Values Any valid IP address key-id <i>key-id</i> — Enter the key-id that identifies the configured authentication key and authentication type used by this node to transmit NTP packets to an NTP server. If an NTP packet is received by this node, the authentication key-id, type, and key value must be valid otherwise the packet will be rejected and an event/trap generated. This is an optional parameter. Values 1 — 255 version <i>version</i> — Use this command to configure the NTP version number that is expected by this node. This is an optional parameter Default 4 Values 2 — 4 prefer — When configuring more than one peer, one remote system can be configured as the preferred peer. When a second peer is configured as preferred, then the new entry overrides the old entry.

SNTP Commands

sntp

Syntax	[no] sntp
Context	config>system>time
Description	<p>This command creates the context to edit the Simple Network Time Protocol (SNTP).</p> <p>SNTP can be configured in either broadcast or unicast client mode. SNTP is a compact, client-only version of the NTP. SNTP can only receive the time from SNTP/NTP servers. It cannot be used to provide time services to other systems.</p> <p>The system clock is automatically adjusted at system initialization time or when the protocol first starts up.</p> <p>When the time differential between the SNTP/NTP server and the system is more than 2.5 seconds, the time on the system is gradually adjusted.</p> <p>SNTP is created in an administratively enabled state (no shutdown).</p> <p>The no form of the command removes the SNTP instance and configuration. SNTP does not need to be administratively disabled when removing the SNTP instance and configuration.</p>
Default	no sntp

broadcast-client

Syntax	[no] broadcast-client
Context	config>system>time>sntp
Description	<p>This command enables listening to SNTP/NTP broadcast messages on interfaces with broadcast client enabled at global device level.</p> <p>SNTP must be shutdown prior to changing either to or from broadcast mode.</p> <p>The no form of the command disables broadcast client mode.</p>
Default	no broadcast-client

server-address

Syntax	server-address <i>ip-address</i> [version <i>version-number</i>] [normal preferred] [interval <i>seconds</i>] no server-address										
Context	config>system>time>sntp										
Description	This command creates an SNTP server for unicast client mode.										
Parameters	<i>ip-address</i> — Specifies the IP address of the SNTP server. version <i>version-number</i> — Specifies the SNTP version supported by this server. <table><tr><td>Values</td><td>1 — 3</td></tr><tr><td>Default</td><td>3</td></tr></table> normal preferred — Specifies the preference value for this SNTP server. When more than one time-server is configured, one server can have preference over others. The value for that server should be set to preferred . Only one server in the table can be a preferred server. <table><tr><td>Default</td><td>normal</td></tr></table> interval <i>seconds</i> — Specifies the frequency at which this server is queried. <table><tr><td>Values</td><td>64 — 1024</td></tr><tr><td>Default</td><td>64</td></tr></table>	Values	1 — 3	Default	3	Default	normal	Values	64 — 1024	Default	64
Values	1 — 3										
Default	3										
Default	normal										
Values	64 — 1024										
Default	64										

CRON Commands

cron

Syntax	cron
Context	config
Description	<p>This command creates the context to create scripts, script parameters and schedules which support the Service Assurance Agent (SAA) functions.</p> <p>CRON features are saved to the configuration file on both primary and backup control modules. If a control module switchover occurs, CRON events are restored when the new configuration is loaded. If a control module switchover occurs during the execution of a cron script, the failover behavior will be determined by the contents of the script.</p>

action

Syntax	[no] action <i>action-name</i> [owner <i>action-owner</i>]
Context	config>cron config>cron>sched
Description	This command configures action parameters for a script.
Default	none
Parameters	<p>action <i>action-name</i> — Specifies the action name.</p> <p>Values Maximum 32 characters.</p> <p>owner <i>action-owner</i> — Specifies the owner name.</p> <p>Default TiMOS CLI</p>

expire-time

Syntax	expire-time { seconds forever }
Context	config>cron>action
Description	This command configures the maximum amount of time to keep the results from a script run.
Parameters	<p>seconds — Specifies the maximum amount of time to keep the results from a script run.</p> <p>Values 1 — 21474836</p> <p>Default 3600 (1 hour)</p> <p>forever — Specifies to keep the results from a script run forever.</p>

lifetime

Syntax	lifetime {seconds forever}
Context	config>cron>action
Description	This command configures the maximum amount of time the script may run.
Parameters	seconds — Specifies the maximum amount of time to keep the results from a script run. Values 1 — 21474836 Default 3600 (1 hour) forever — Specifies to keep the results from a script run forever.

max-completed

Syntax	max-completed <i>unsigned</i>
Context	config>cron>action
Description	This command specifies the maximum number of completed sessions to keep in the event execution log. If a new event execution record exceeds the number of records specified this command, the oldest record is deleted. The no form of this command resets the value to the default.
Parameters	<i>unsigned</i> — Specifies the maximum number of completed sessions to keep in the event execution log. Values 0 — 255 Default 1

results

Syntax	[no] results <i>file-url</i>
Context	config>cron>action
Description	This command specifies the location where the system writes the output of an event script's execution. The no form of this command removes the file location from the configuration.
Parameters	<i>file-url</i> — Specifies the location where the system writes the output of an event script's execution. Values file url: local-url remote-url: 255 chars max local-url: [<i>cflash-id</i>]/[<i>file-path</i>] remote-url: [{ftp://} login:pswd@remote-locn]/[<i>file-path</i>] remote-locn [<i>hostname</i> <i>ipv4-address</i>] ipv4-address a.b.c.d cflash-id: cf1:

script

- Syntax** `[no] script script-name [owner owner-name]`
- Context** `config>cron>action`
- Description** This command creates action parameters for a script including the maximum amount of time to keep the results from a script run, the maximum amount of time a script may run, the maximum number of script runs to store and the location to store the results.
- The **no** form of this command removes the script parameters from the configuration.
- Default** none — No server-address is configured.
- Parameters** **script** *script-name* — The script command in the action context connects and event to the script which will run when the event is triggered.
- owner** *owner-name* — Owner name of the schedule.
- Default** TiMOS CLI
- The **no** form of this command removes the script entry from the action context.

schedule

- Syntax** `[no] schedule schedule-name [owner owner-name]`
- Context** `config>cron`
- Description** This command configures the type of schedule to run, including one-time only (oneshot), periodic or calendar-based runs. All runs are determined by month, day of month or weekday, hour, minute and interval (seconds).
- The **no** form of the command removes the context from the configuration.
- Default** none
- Parameters** *schedule-name* — Name of the schedule.
- owner** *owner-name* — Owner name of the schedule.

count

- Syntax** `count number`
- Context** `config>cron>sched`
- Description** This command configures the total number of times a CRON “interval” schedule is run. For example, if the interval is set to 600 and the count is set to 4, the schedule runs 4 times at 600 second intervals.

Parameters *number* — The number of times the schedule is run.

Values 1 — 65535

Default 65535

day-of-month

Syntax **[no] day-of-month** {*day-number* [*..day-number*] **all**}

Context config>cron>sched

Description This command specifies which days of the month that the schedule will occur. Multiple days of the month can be specified. When multiple days are configured, each of them will cause the schedule to trigger. If a day-of-month is configured without configuring [month](#), [weekday](#), [hour](#) and [minute](#), the event will not execute.

Using the **weekday** command as well as the **day-of-month** command will cause the script to run twice. For example, consider that “today” is Monday January 1. If “Tuesday January 5” is configured, the script will run on Tuesday (tomorrow) as well as January 5 (Friday).

The **no** form of this command removes the specified day-of-month from the list.

Parameters *day-number* — The positive integers specify the day of the month counting from the first of the month. The negative integers specify the day of the month counting from the last day of the month. For example, configuring **day-of-month -5, 5** in a month that has 31 days will specify the schedule to occur on the 27th and 5th of that month.

Integer values must map to a valid day for the month in question. For example, February 30 is not a valid date.

Values 1 — 31, -31 — -1 (maximum 62 day-numbers)

all — Specifies all days of the month.

end-time

Syntax **[no] end-time** [*date* | *day-name*] *time*

Context config>cron>sched

Description This command is used concurrently with type **periodic** or **calendar**. Using the type of **periodic**, end-time determines at which interval the schedule will end. Using the type of **calendar**, end-time determines on which date the schedule will end.

When **no end-time** is specified, the schedule runs forever.

Parameters *date* — Specifies the date to schedule a command.

Values YYYY:MM:DD in year:month:day number format

day-name — Specifies the day of the week to schedule a command.

Values sunday|monday|tuesday|wednesday|thursday|friday|saturday

time — Specifies the time of day to schedule a command.

Values hh:mm in hour:minute format

hour

Syntax **[no] hour** {..*hour-number* [..*hour-number*]} **all**}

Context config>cron>sched

Description This command specifies which hour to schedule a command. Multiple hours of the day can be specified. When multiple hours are configured, each of them will cause the schedule to trigger. Day-of-month or weekday must also be specified. All days of the month or weekdays can be specified. If an hour is configured without configuring [month](#), [weekday](#), [day-of-month](#), and [minute](#), the event will not execute.

The **no** form of this command removes the specified hour from the configuration.

Parameters *hour-number* — Specifies the hour to schedule a command.

Values 0 — 23 (maximum 24 hour-numbers)

all — Specifies all hours.

interval

Syntax **[no] interval** *seconds*

Context config>cron>sched

Description This command specifies the interval between runs of an event.

Parameters *seconds* — The interval, in seconds, between runs of an event.

Values 30 — 4,294,967,295

minute

Syntax	[no] minute { <i>minute-number</i> [<i>..minute-number</i>] all }
Context	config>cron>sched
Description	This command specifies the minute to schedule a command. Multiple minutes of the hour can be specified. When multiple minutes are configured, each of them will cause the schedule to occur. If a minute is configured, but no hour or day is configured, the event will not execute. If a minute is configured without configuring month , weekday , day-of-month , and hour , the event will not execute. The no form of this command removes the specified minute from the configuration.
Parameters	<i>minute-number</i> — Specifies the minute to schedule a command. Values 0 — 59 (maximum 60 minute-numbers) all — Specifies all minutes.

month

Syntax	[no] month { <i>month-number</i> [<i>..month-number</i>] <i>month-name</i> [<i>..month-name</i>] all }
Context	config>cron>sched
Description	This command specifies the month when the event should be executed. Multiple months can be specified. When multiple months are configured, each of them will cause the schedule to trigger. If a month is configured without configuring weekday , day-of-month , hour and minute , the event will not execute. The no form of this command removes the specified month from the configuration.
Parameters	month-number — Specifies a month number. Values 1 —12 (maximum 12 month-numbers) all — Specifies all months. month-name — Specifies a month by name Values january, february, march, april, may, june, july, august, september, october, november, december (maximum 12 month names)

type

Syntax	type { <i>schedule-type</i> }
Context	config>cron>sched
Description	This command specifies how the system should interpret the commands contained within the schedule node.
Parameters	<p><i>schedule-type</i> — Specify the type of schedule for the system to interpret the commands contained within the schedule node.</p> <p>Values</p> <ul style="list-style-type: none"> periodic — Specifies a schedule which runs at a given interval. interval must be specified for this feature to run successfully. calendar — Specifies a schedule which runs based on a calendar. weekday, month, day-of-month, hour and minute must be specified for this feature to run successfully. oneshot — Specifies a schedule which runs one time only. As soon as the first event specified in these parameters takes place and the associated event occurs, the schedule enters a shutdown state. month, weekday, day-of-month, hour and minute must be specified for this feature to run successfully. <p>Default periodic</p>

weekday

Syntax	[no] weekday { <i>weekday-number</i> [.. <i>weekday-number</i>] <i>day-name</i> [.. <i>day-name</i>] all }
Context	config>cron>sched
Description	<p>This command specifies which days of the week that the schedule will fire on. Multiple days of the week can be specified. When multiple days are configured, each of them will cause the schedule to occur. If a weekday is configured without configuring month, day-of-month, hour and minute, the event will not execute.</p> <p>Using the weekday command as well as the day-of month command will cause the script to run twice. For example, consider that “today” is Monday January 1. If “Tuesday January 5” is configured, the script will run on Tuesday (tomorrow) as well as January 5 (Friday).</p> <p>The no form of this command removes the specified weekday from the configuration.</p>
Parameters	<p>day-number — Specifies a weekday number.</p> <p>Values 1 —7 (maximum 7 week-day-numbers)</p> <p>day-name — Specifies a day by name</p> <p>Values sunday, monday, tuesday, wednesday, thursday, friday, saturday (maximum 7 week-day names)</p> <p>all — Specifies all days of the week.</p>

script

Syntax	[no] script <i>script-name</i> [owner <i>owner-name</i>]
Context	config>cron>script
Description	This command configures the name associated with this script.
Parameters	<i>script-name</i> — Specifies the script name.location
Syntax	[no] location <i>file-url</i>
Context	config>cron>script
Description	This command configures the location of script to be scheduled.
Parameters	<i>file-url</i> — Specifies the location where the system writes the output of an event script's execution.
Values	file url: local-url remote-url: 255 chars max local-url: [<i>cflash-id</i>]/[<i>file-path</i>] remote-url: [{ftp://} login:pswd@remote-locn]/[file-path] remote-locn [<i>hostname</i> <i>ipv4-address</i>] ipv4-address a.b.c.d cflash-id: cf1:

Time Range Commands

time-range

Syntax	[no] time-range <i>name</i>
Context	config>cron
Description	This command configures a time range. The no form of the command removes the <i>name</i> from the configuration.
Default	none
Parameters	<i>name</i> — Configures a name for the time range up to 32 characters in length.

absolute

Syntax	absolute start <i>start-absolute-time</i> end <i>end-absolute-time</i> no absolute start <i>absolute-time</i>																								
Context	config>cron>time-range																								
Description	This command configures an absolute time interval that will not repeat. The no form of the command removes the absolute time range from the configuration.																								
Parameters	start <i>absolute-time</i> — Specifies starting parameters for the absolute time-range. <table> <tr> <td>Values</td> <td>absolute-time: year/month/day, hh:mm</td> </tr> <tr> <td></td> <td>year: 2005 — 2099</td> </tr> <tr> <td></td> <td>month: 1 — 12</td> </tr> <tr> <td></td> <td>day: 1 — 31</td> </tr> <tr> <td></td> <td>hh: 0 — 23</td> </tr> <tr> <td></td> <td>mm: [0 — 59</td> </tr> </table> end <i>absolute-time</i> — Specifies end parameters for the absolute time-range. <table> <tr> <td>Values</td> <td>absolute-time: year/month/day, hh:mm</td> </tr> <tr> <td></td> <td>year: 2005 — 2099</td> </tr> <tr> <td></td> <td>month: 1 — 12</td> </tr> <tr> <td></td> <td>day: 1 — 31</td> </tr> <tr> <td></td> <td>hh: 0 — 23</td> </tr> <tr> <td></td> <td>mm: [0 — 59</td> </tr> </table>	Values	absolute-time: year/month/day, hh:mm		year: 2005 — 2099		month: 1 — 12		day: 1 — 31		hh: 0 — 23		mm: [0 — 59	Values	absolute-time: year/month/day, hh:mm		year: 2005 — 2099		month: 1 — 12		day: 1 — 31		hh: 0 — 23		mm: [0 — 59
Values	absolute-time: year/month/day, hh:mm																								
	year: 2005 — 2099																								
	month: 1 — 12																								
	day: 1 — 31																								
	hh: 0 — 23																								
	mm: [0 — 59																								
Values	absolute-time: year/month/day, hh:mm																								
	year: 2005 — 2099																								
	month: 1 — 12																								
	day: 1 — 31																								
	hh: 0 — 23																								
	mm: [0 — 59																								

daily

Syntax	daily start <i>start-time-of-day</i> end <i>end-time-of-day</i> no daily start <i>start-time-of-day</i>
Context	config>cron>time-range
Description	This command configures the start and end of a schedule for every day of the week. To configure a daily time-range across midnight, use a combination of two entries. An entry that starts at hour zero will take over from an entry that ends at hour 24. The no form of the command removes the daily time parameters from the configuration.
Parameters	<i>start-time-of-day</i> — Specifies the starting time for the time range. Values Syntax: hh:mm hh 0 — 23 mm 0 — 59 <i>end-time-of-day</i> — Specifies the ending time for the time range. Values Syntax: hh:mm hh 0 — 24 mm 0 — 59

weekdays

Syntax	weekdays start <i>start-time-of-day</i> end <i>end-time-of-day</i> no weekdays start <i>start-time-of-day</i>
Context	config>cron>time-range
Description	This command configures the start and end of a weekday schedule. The no form of the command removes the weekday parameters from the configuration.
Parameters	<i>start-time-of-day</i> — Specifies the starting time for the time range. Values Syntax: hh:mm hh 0 — 23 mm 0 — 59 <i>end-time-of-day</i> — Specifies the ending time for the time range. Values Syntax: hh:mm hh 0 — 24 mm 0 — 59

hh 0 — 24
mm 0 — 59

weekly start *time-in-week* **end** *time-in-week* — This parameter configures the start and end of a schedule for the same day every week, for example, every Friday. The start and end dates must be the same. The resolution must be at least one minute apart, for example, start at 11:00 and end at 11:01. A start time and end time of 11:00 is invalid.

Values 00 — 23, 00 — 59

Default no time-range

Time of Day Commands

tod-suite

Syntax	[no] tod-suite <i>tod-suite name</i> create
Context	config>cron
Description	This command creates the tod-suite context.
Default	no tod-suite

egress

Syntax	egress
Context	config>cron>tod-suite
Description	This command enables the TOD suite egress parameters.

ingress

Syntax	ingress
Context	config>cron>tod-suite
Description	This command enables the TOD suite ingress parameters.

filter

Syntax	filter ip <i>ip-filter-id</i> [time-range <i>time-range-name</i>] [priority <i>priority</i>] filter mac <i>mac-filter-id</i> [time-range <i>time-range-name</i>] [priority <i>priority</i>] no ip <i>ip-filter-id</i> [time-range <i>time-range-name</i>] no filter mac <i>mac-filter-id</i> [time-range <i>time-range-name</i>]
Context	config>cron>tod-suite>egress config>cron>tod-suite>ingress
Description	This command creates time-range based associations of previously created filter policies. Multiple policies may be included and each must be assigned a different priority; in case time-ranges overlap, the priority will be used to determine the prevailing policy. Only a single reference to a policy may be included without a time-range.
Parameters	ip-filter <i>ip-filter-id</i> — Specifies an IP filter for this tod-suite.

Values 1 — 65535

time-range *time-range-name* — Name for the specified time-range. If the time-range is not populated the system will assume the assignment to mean “all times”. Only one entry without a time-range is allowed for every type of policy. The system does not allow the user to specify more than one policy with the same time-range and priority.

Values Up to 32 characters

priority *priority* — Priority of the time-range. Only one time-range assignment of the same type and priority is allowed.

Values 1 — 10

mac *mac-filter-id* — Specifies a MAC filter for this tod-suite.

Values 1 — 65535

System Time Commands

dst-zone

Syntax	<code>[no] dst-zone [std-zone-name non-std-zone-name]</code>
Context	config>system>time
Description	<p>This command configures the start and end dates and offset for summer time or daylight savings time to override system defaults or for user defined time zones.</p> <p>When configured, the time is adjusted by adding the configured offset when summer time starts and subtracting the configured offset when summer time ends.</p> <p>If the time zone configured is listed in Table 16, System-defined Time Zones, on page 155, then the starting and ending parameters and offset do not need to be configured with this command unless it is necessary to override the system defaults. The command returns an error if the start and ending dates and times are not available either in Table 16 or entered as optional parameters in this command.</p> <p>Up to five summer time zones may be configured, for example, for five successive years or for five different time zones. Configuring a sixth entry will return an error message. If no summer (daylight savings) time is supplied, it is assumed no summer time adjustment is required.</p> <p>The no form of the command removes a configured summer (daylight savings) time entry.</p>
Default	none — No summer time is configured.
Parameters	<p><i>std-zone-name</i> — The standard time zone name. The standard name must be a system-defined zone in Table 16. For zone names in the table that have an implicit summer time setting, for example MDT for Mountain Daylight Saving Time, the remaining start-date, end-date and offset parameters need to be provided unless it is necessary to override the system defaults for the time zone.</p> <p>Values std-zone-name ADT, AKDT, CDT, CEST, EDT, EEST, MDT, PDT, WEST</p> <p><i>non-std-zone-name</i> — The non-standard time zone name. Create a user-defined name created using the zone command on page 258</p> <p>Values 5 characters maximum</p>

end

Syntax	end { <i>end-week</i> } { <i>end-day</i> } { <i>end-month</i> } [<i>hours-minutes</i>]
Context	config>system>time>dst-zone
Description	This command configures start of summer time settings.
Parameters	<i>end-week</i> — Specifies the starting week of the month when the summer time will end. Values first, second, third, fourth, last Default first <i>end-day</i> — Specifies the starting day of the week when the summer time will end. Values sunday, monday, tuesday, wednesday, thursday, friday, saturday Default sunday <i>end-month</i> — The starting month of the year when the summer time will take effect. Values january, february, march, april, may, june, july, august, september, october, november, december} Default january <i>hours</i> — Specifies the hour at which the summer time will end. Values 0 — 24 Default 0 <i>minutes</i> — Specifies the number of minutes, after the hours defined by the <i>hours</i> parameter, when the summer time will end. Values 0 — 59 Default 0

offset

Syntax	offset <i>offset</i>
Context	config>system>time>dst-zone
Description	This command specifies the number of minutes that will be added to the time when summer time takes effect. The same number of minutes will be subtracted from the time when the summer time ends.
Parameters	<i>offset</i> — The number of minutes added to the time at the beginning of summer time and subtracted at the end of summer time, expressed as an integer. Default 60

Values 0 — 60

start

Syntax **start** {*start-week*} {*start-day*} {*start-month*} [*hours-minutes*]

Context config>system>time>dst-zone

Description This command configures start of summer time settings.

Parameters **start-week** — Specifies the starting week of the month when the summer time will take effect.

Values first, second, third, fourth, last

Default first

start-day — Specifies the starting day of the week when the summer time will take effect.

Default sunday

Values sunday, monday, tuesday, wednesday, thursday, friday, saturday

start-month — The starting month of the year when the summer time will take effect.

Values january, february, march, april, may, june, july, august, september, october, november, december

Default january

hours — Specifies the hour at which the summer time will take effect.

Default 0

minutes — Specifies the number of minutes, after the hours defined by the *hours* parameter, when the summer time will take effect.

Default 0

zone

Syntax	zone [<i>std-zone-name</i> <i>non-std-zone-name</i>] [<i>hh</i> [: <i>mm</i>]] no zone
Context	config>system>time
Description	<p>This command sets the time zone and/or time zone offset for the device.</p> <p>supports system-defined and user-defined time zones. The system-defined time zones are listed in Table 16, System-defined Time Zones, on page 155.</p> <p>For user-defined time zones, the zone and the UTC offset must be specified.</p> <p>The no form of the command reverts to the default of Coordinated Universal Time (UTC). If the time zone in use was a user-defined time zone, the time zone will be deleted. If a dst-zone command has been configured that references the zone, the summer commands must be deleted before the zone can be reset to UTC.</p>
Default	zone utc - The time zone is set for Coordinated Universal Time (UTC).
Parameters	<p><i>std-zone-name</i> — The standard time zone name. The standard name must be a system-defined zone in Table 16. For zone names in the table that have an implicit summer time setting, for example MDT for Mountain Daylight Saving Time, the remaining start-date, end-date and offset parameters need to be provided unless it is necessary to override the system defaults for the time zone.</p> <p>For system-defined time zones, a different offset cannot be specified. If a new time zone is needed with a different offset, the user must create a new time zone. Note that some system-defined time zones have implicit summer time settings which causes the switchover to summer time to occur automatically; configuring the dst-zone parameter is not required.</p> <p>A user-defined time zone name is case-sensitive and can be up to 5 characters in length.</p> <p>Values A user-defined value can be up to 4 characters or one of the following values: GMT, BST, IST, WET, WEST, CET, CEST, EET, EEST, MSK, MSD, AST, ADT, EST, EDT, ET, CST, CDT, CT, MST, MDT, MT, PST, PDT, PT, HST, AKST, AKDT, WAST, CAST, EAST</p> <p><i>non-std-zone-name</i> — The non-standard time zone name.</p> <p>Values Up to 5 characters maximum.</p> <p><i>hh</i> [:mm] — The hours and minutes offset from UTC time, expressed as integers. Some time zones do not have an offset that is an integral number of hours. In these instances, the <i>minutes-offset</i> must be specified. For example, the time zone in Pirlanngimpi, Australia UTC + 9.5 hours.</p> <p>Default hours: 0 minutes: 0</p> <p>Values hours: -11 — 11 minutes: 0 — 59</p> <p>Values</p>

Generic Commands

shutdown

Syntax	<code>[no] shutdown</code>
Context	<code>config>system>time>sntp</code>
Description	<p>This command administratively disables an entity. When disabled, an entity does not change, reset, or remove any configuration settings or statistics.</p> <p>The operational state of the entity is disabled as well as the operational state of any entities contained within. Many objects must be shut down before they may be deleted.</p> <p>The no form of this command administratively enables an entity.</p> <p>Unlike other commands and parameters where the default state is not indicated in the configuration file, the shutdown and no shutdown states are always indicated in system generated configuration files.</p> <p>The no form of the command places an entity in an administratively enabled state.</p>

System Administration Commands

admin

Syntax	admin
Context	<ROOT>
Description	The context to configure administrative system commands. Only authorized users can execute the commands in the admin context.
Default	none

check-golden-bootstrap

Syntax	check-golden-bootstrap
Context	admin
Description	This command validates the current golden bootstrap image, and displays its version, if found to be valid. If the golden bootstrap image is not found to be a valid, an error message is displayed to that effect.

debug-save

Syntax	debug-save <i>file-url</i>
Context	admin
Description	This command saves existing debug configuration. Debug configurations are not preserved in configuration saves.
Default	none

Parameters *file-url* — The file URL location to save the debug configuration.

Values	file url:	local-url remote-url: 255 chars max
	local-url:	[<i>cflash-id</i>]/[<i>file-path</i>], 200 chars max, including the cflash-id directory length, 99 chars max each
	remote-url:	[{ftp://} login:pswd@remote-locn]/[file-path]
		remote-locn [<i>hostname</i> <i>ipv4-address</i>]
		ipv4-address a.b.c.d
		255 chars max, directory length 99 chars max each
	cflash-id:	cf1:

disconnect

Syntax	disconnect { address <i>ip-address</i> username <i>user-name</i> console telnet ftp ssh }			
Context	admin			
Description	<p>This command disconnects a user from a console, Telnet, FTP, or SSH session.</p> <p>If any of the console, Telnet, FTP, or SSH options are specified, then only the respective console, Telnet, FTP, or SSH sessions are affected.</p> <p>If no console, Telnet, FTP, or SSH options are specified, then all sessions from the IP address or from the specified user are disconnected.</p> <p>Any task that the user is executing is terminated. FTP files accessed by the user will not be removed.</p> <p>A major severity security log event is created specifying what was terminated and by whom.</p>			
Default	none — No disconnect options are configured.			
Parameters	address <i>ip-address</i> — The IP address to disconnect, specified in dotted decimal notation.			
	<table> <tr> <td>Values</td> <td>ipv4-address</td> <td>a.b.c.d</td> </tr> </table>	Values	ipv4-address	a.b.c.d
Values	ipv4-address	a.b.c.d		
	username <i>user-name</i> — The name of the user.			
	console — Disconnects the console session.			
	telnet — Disconnects the Telnet session.			
	ftp — Disconnects the FTP session.			
	ssh — Disconnects the SSH session.			

display-config

Syntax	display-config [detail index]
Context	admin
Description	This command displays the system's running configuration. By default, only non-default settings are displayed. Specifying the detail option displays all default and non-default configuration parameters.
Parameters	detail — Displays default and non-default configuration parameters. index — Displays only persistent-indices.

reboot

Syntax	reboot [upgrade] [auto-init] [now]
Context	admin
Description	This command reboots the s or upgrades the boot ROMs. If no options are specified, the user is prompted to confirm the reboot operation. For example: <pre>ALA-1>admin# reboot Are you sure you want to reboot (y/n)?</pre> If the now option is specified, boot confirmation messages appear.
Parameters	CPMupgrade — Enables card firmware to be upgraded during chassis reboot. The 7210 SAS OS and the boot.tim support functionality to perform automatic firmware upgrades on s. The automatic upgrade must be enabled in the 7210 SAS OS Command Line Interface (CLI) when rebooting the system. When the upgrade keyword is specified, a chassis flag is set for the BOOT Loader (boot.tim) and on the subsequent boot of the 7210 SAS OS on the chassis, any firmware images on s requiring upgrading will be upgraded automatically. If an 7210 SAS is rebooted with the admin reboot command (without the upgrade keyword), the firmware images are left intact. During any firmware upgrade, automatic or manual, it is imperative that during the upgrade procedure: <ul style="list-style-type: none">• Power must NOT be switched off or interrupted.• The system must NOT be reset.• No cards are inserted or removed. Any of the above conditions may render cards inoperable requiring a return of the card for resolution. now — Forces a reboot of the router immediately without an interactive confirmation.

auto-init — Specifies to reset the BOF and initiates a reboot.

save

Syntax	save [<i>file-url</i>] [detail] [index]				
Context	admin				
Description	This command saves the running configuration to a configuration file. For example: <pre>A:ALA-1>admin# save ftp://test:test@192.168.x.xx/./100.cfg Saving configurationCompleted.</pre> By default, the running configuration is saved to the primary configuration file.				
Parameters	<i>file-url</i> — The file URL location to save the configuration file. <table> <tr> <td>Default</td> <td>The primary configuration file location.</td> </tr> <tr> <td>Values</td> <td>file url: local-url remote-url: 255 chars max local-url: [<i>cflash-id</i>]/[<i>file-path</i>], 200 chars max, including the cflash-id directory length, 99 chars max each remote-url: [{ftp://} login:pswd@remote-locn/][<i>file-path</i>] remote-locn [<i>hostname</i> <i>ipv4-address</i>] ipv4-address a.b.c.d 255 chars max, directory length 99 chars max each cflash-id: cf1:</td> </tr> </table> <p>detail — Saves both default and non-default configuration parameters.</p> <p>index — Forces a save of the persistent index file regardless of the persistent status in the BOF file. The index option can also be used to avoid an additional boot required while changing your system to use the persistence indices.</p>	Default	The primary configuration file location.	Values	file url: local-url remote-url: 255 chars max local-url: [<i>cflash-id</i>]/[<i>file-path</i>], 200 chars max, including the cflash-id directory length, 99 chars max each remote-url: [{ftp://} login:pswd@remote-locn/][<i>file-path</i>] remote-locn [<i>hostname</i> <i>ipv4-address</i>] ipv4-address a.b.c.d 255 chars max, directory length 99 chars max each cflash-id: cf1:
Default	The primary configuration file location.				
Values	file url: local-url remote-url: 255 chars max local-url: [<i>cflash-id</i>]/[<i>file-path</i>], 200 chars max, including the cflash-id directory length, 99 chars max each remote-url: [{ftp://} login:pswd@remote-locn/][<i>file-path</i>] remote-locn [<i>hostname</i> <i>ipv4-address</i>] ipv4-address a.b.c.d 255 chars max, directory length 99 chars max each cflash-id: cf1:				

enable-tech

Syntax	[no] enable-tech
Context	admin
Description	This command enables the shell and kernel commands. NOTE: This command should only be used with authorized direction from the Alcatel-Lucent Technical Assistance Center (TAC).

tech-support

Syntax `tech-support file-url`

Context admin

Description This command creates a system core dump.

NOTE: This command should only be used with authorized direction from the Alcatel-Lucent Technical Assistance Center (TAC).

file-url — The file URL location to save the binary file.

file url:	local-url remote-url: 255 chars max
local-url:	[<i>cflash-id</i>]/[<i>file-path</i>], 200 chars max, including the cflash-id directory length, 99 chars max each
remote-url:	[{ftp://} login:pswd@remote-locn/][<i>file-path</i>] remote-locn [<i>hostname</i> <i>ipv4-address</i>] ipv4-address a.b.c.d
cflash-id:	255 chars max, directory length 99 chars max each cf1:

update-golden-bootstrap

Syntax `update-golden-bootstrap [file-url]`

Context admin

Description This command updates the golden bootstrap image with the *file-url* , after validating it as a bootstrap image for the 7210 SAS E platform.

Default cf1:/boot.tim

Parameters *file-url* — Specifies the file URL.

Values	file-url:	local-url:	255 characters max
		local-url:	[<i>cflash-id</i>]/[<i>file-path</i>]
		cflash-id:	cf1:

System Alarm Contact Commands

alarm-contact-input

Syntax	alarm-contact-input <i>alarm-contact-input-id</i>
Context	config>system>alarm-contact-input
Description	This command provides the context to configure one of four available alarm contact input pins.
Default	None
Parameters	<i>alarm-contact-input-id</i> — Identifies the alarm contact input pin.
	Values 1 — 4 (for SAS M only)
	Values 1— 3 (for SAS X only)

alarm-output-severity

Syntax	[no] alarm-output-severity { <i>critical</i> <i>major</i> <i>none</i> } (for SAS M only) [no] alarm-output-severity { <i>critical</i> <i>major</i> <i>none</i> } (for SAS X only)
Context	config>system>alarm-contact-input
Description	<p>This command allows the user to relay alarms from the alarm-contact input to the alarm-contact output by associating an appropriate alarm-contact output with the alarm-contact input. The system generates or clears the alarm-contact output when it triggers or clears the alarm for the associated alarm-contact input.</p> <p>If multiple alarm-contact input pins share an alarm-contact output, the system generates the alarm-contact output even if any one of the alarm-contact input is triggered and the system clears alarm-contact output only when all the alarm-contact input pins are cleared.</p> <p>The severity parameter configured by the user determines the appropriate alarm-contact output to be used for generation and clearing the alarm.</p> <p>Note: The system relays the alarm-contact input to the appropriate alarm-contact output only if the alarm-contact output is available on the platform.</p>
Default	Major
Parameters	<p><i>critical</i> — A critical alarm output is generated or cleared.</p> <p><i>major</i> — A major alarm output is generated or cleared.</p> <p><i>none</i> — No alarm output is generated or cleared.</p>

clear-alarm-msg

Syntax	[no] clear-alarm-msg { <i>alarm-msg-text</i> }
Context	config>system>alarm-contact-input <i>alarm-contact-input-id</i>
Description	This command allows the user to configure a text message for use along with SNMP trap and Log message that are sent when the system clears an alarm. The system generates a default message if the message is not configured. The system does not generate a trap or log if no form of the command is enabled.
Default	None
Parameters	<i>alarm-msg-text</i> — A printable character string, up to 160 characters in length.

description

Syntax	description <i>description-string</i>
Context	config>system>alarm-contact-input <i>alarm-contact-input-id</i> description
Description	This command describes an alarm contact input pin. The description provides an indication of the usage or attribute of the pin. It is stored in the CLI configuration file and helps the user in identifying the purpose of the pin.
Default	None

normal-state

Syntax	normal-state [open closed]
Context	config>system>alarm-contact-input <i>alarm-contact-input-id</i>
Description	This command configures the normal state to be associated with the alarm-contact input. When the system detects a transition from the normal state, an alarm is generated. The alarm is cleared when the system detects a transition is back to the normal state.
Default	closed
Parameters	<i>open</i> — The normal-state is identified as ‘open’. When the system detects a transition to the ‘closed’ state, an alarm is generated. The alarm is cleared when the system detects a transition back to the ‘Open’ state. <i>closed-state</i> — The normal-state is identified as ‘closed’. When the system detects a transition to the ‘open’ state, and alarm is generated. The alarm is cleared when the system detects a transition back to the ‘closed’ state.

shutdown

Syntax	[no] shutdown
Context	config>system>alarm-contact-input
Description	<p>This command stops tracking the state changes associated with the alarm contact input .The system does not generate or clear the alarms for the alarm-contact input, but if an alarm is generated for the alarm-contact-input, the system clears the alarm when the shutdown command is executed.</p> <p>The no form of the command starts tracking the state changes associated with the alarm contact input.</p>
Default	Shutdown

trigger-alarm-msg

Syntax	[no] trigger-alarm-msg { <i>alarm-msg-text</i> }
Context	config>system>alarm-contact-input <i>alarm-contact-input-id</i>
Description	<p>This command allows the user to configure a text message for use along with SNMP trap and Log message that are sent when the system generates an alarm. The system generates a default message if the message is not configured. The system does not generate a trap or log if no form of the command is enabled.</p>
Default	None
Parameters	<i>alarm-msg-text</i> — A printable character string, up to 160 characters in length.

Show Commands

SYSTEM COMMANDS

connections

- Syntax** `connections [address ip-address [interface interface-name]] [port port-number] [detail]`
- Context** `show>system`
- Description** This command displays UDP and TCP connection information. If no command line options are specified, a summary of the TCP and UDP connections displays.
- Parameters** *ip-address* — Displays only the connection information for the specified IP address.
ipv4-address: a.b.c.d (host bits must be 0)
port-number — Displays only the connection information for the specified port number.
- Values** 0 — 65535
- detail** — Appends TCP statistics to the display output.
- Output** **Standard Connection Output** — The following table describes the system connections output fields.

Label	Description
Proto	Displays the socket protocol, either TCP or UDP.
RecvQ	Displays the number of input packets received by the protocol.
TxmtQ	Displays the number of output packets sent by the application.
Local Address	Displays the local address of the socket. The socket port is separated by a period.
Remote Address	Displays the remote address of the socket. The socket port is separated by a period.
State	Listen — The protocol state is in the listen mode. Established — The protocol state is established.

Sample Output

```
A:ALA-12# show system connections
```

System Commands

```
=====  
Connections :  
=====  
Proto      RecvQ      TxmtQ Local Address          Remote Address         State  
-----  
TCP        0          0 0.0.0.0.21            0.0.0.0.0             LISTEN  
TCP        0          0 0.0.0.0.23            0.0.0.0.0             LISTEN  
TCP        0          0 0.0.0.0.179           0.0.0.0.0             LISTEN  
TCP        0          0 10.0.0.xxx.51138      10.0.0.104.179        SYN_SENT  
TCP        0          0 10.0.0.xxx.51139      10.0.0.91.179         SYN_SENT  
TCP        0          0 10.10.10.xxx.646      0.0.0.0.0             LISTEN  
TCP        0          0 10.10.10.xxx.646      10.10.10.104.49406    ESTABLISHED  
TCP        0          0 11.1.0.1.51140        11.1.0.2.179          SYN_SENT  
TCP        0          993 192.168.x.xxx.23      192.168.x.xx.xxxx     ESTABLISHED  
UDP        0          0 0.0.0.0.123           0.0.0.0.0             ---  
UDP        0          0 0.0.0.0.646           0.0.0.0.0             ---  
UDP        0          0 0.0.0.0.17185         0.0.0.0.0             ---  
UDP        0          0 10.10.10.xxx.646      0.0.0.0.0             ---  
UDP        0          0 127.0.0.1.50130       127.0.0.1.17185      ---  
-----  
No. of Connections: 14  
=====  
A:ALA-12#
```

Sample Detailed Output

```
A:ALA-12# show system connections detail  
-----  
TCP Statistics  
-----  
packets sent : 659635  
data packets : 338982 (7435146 bytes)  
data packet retransmitted : 73 (1368 bytes)  
ack-only packets : 320548 (140960 delayed)  
URG only packet : 0  
window probe packet : 0  
window update packet : 0  
control packets : 32  
packets received : 658893  
acks : 338738 for (7435123 bytes)  
duplicate acks : 23  
ack for unsent data : 0  
packets received in-sequence : 334705 (5568368 bytes)  
completely duplicate packet : 2 (36 bytes)  
packet with some dup. data : 0 (0 bytes)  
out-of-order packets : 20 (0 bytes)  
packet of data after window : 0 (0 bytes)  
window probe : 0  
window update packet : 3  
packets received after close : 0  
discarded for bad checksum : 0  
discarded for bad header offset field : 0  
discarded because packet too short : 0  
connection request : 4  
connection accept : 24  
connections established (including accepts) : 27
```

```

connections closed                : 26 (including 2 drops)
embryonic connections dropped     : 0
segments updated rtt             : 338742 (of 338747 attempts)
retransmit timeouts              : 75
connections dropped by retransmit : 0
persist timeouts                 : 0
keepalive timeouts               : 26
keepalive probes sent            : 0
connections dropped by keepalive  : 1
pcb cache lookups failed         : 0
=====
A:ALA-12#

```

cpu

- Syntax** `cpu [sample-period seconds]`
- Context** `show>system`
- Description** This command displays CPU utilization per task over a sample period.
- Parameters** `sample-period seconds` — The number of seconds over which to sample CPU task utilization.
- Default** 1
- Values** 1 — 5
- Output** **System CPU Output** — The following table describes the system CPU output fields.

Table 18: Show System CPU Output Fields

Label	Description
CPU Utilization	The total amount of CPU time.
Name	The process or protocol name.
CPU Time (uSec)	The CPU time each process or protocol has used in the specified time.
CPU Usage	The sum of CPU usage of all the processes and protocols.

Sample Output

```

A:ALA-1# show system cpu sample-period 2
=====
CPU Utilization (Test time 2001135 uSec)
=====
Name                CPU Time      CPU Usage
                   (uSec)
-----
System              3465          0.34%
Icc                 1349          0.13%
RTM/Policies        0             0.00%

```

System Commands

```
OSPF                61          ~0.00%
MPLS/RSVP          2113         0.21%
LDP                 19          ~0.00%
IS-IS              0           0.00%
RIP                 21          ~0.00%
VRRP                0           0.00%
Services            155         0.01%
IOM                 24337        2.43%
SIM                 4892         0.49%
Idle                961064       96.34%
=====
A:ALA-1#
```

cron

Syntax **cron**

Context show>cron

Description This command enters the show CRON context.

action

Syntax **action** [*action-name*] [**owner** *action-owner*] **run-history** *run-state*

Context show>cron#

Description This command displays cron action parameters.

Parameters **action** *action-name* — Specifies the action name.

Values maximum 32 characters

owner *action-owner* — Specifies the owner name.

Default TiMOS CLI

run-history *run-state* — Specifies the state of the test to be run.

Values executing, initializing, terminated

Output The following table describes the show cron action output fields.

Label	Description
Action	Displays the name of the action.
Action owner	The name of the action owner.
Administrative status	Enabled — Administrative status is enabled Disabled — Administrative status is disabled

Label	Description (Continued)
Script	The name of the script
Script owner	The name of the script owner.
Script source location	Displays the location of scheduled script.
Max running allowed	Displays the maximum number of allowed sessions.
Max completed run histories	Displays the maximum number of sessions previously run.
Max lifetime allowed	Displays the maximum amount of time the script may run.
Completed run histories	Displays the number of completed sessions.
Executing run histories	Displays the number of sessions in the process of executing.
Initializing run histories	Displays the number of sessions ready to run/queued but not executed.
Max time run history saved	Displays the maximum amount of time to keep the results from a script run.
Last change	Displays the system time a change was made to the configuration.

Sample Output

```
*A:Redundancy# show cron action run-history terminated
=====
CRON Action Run History
=====
Action "test"
Owner "TiMOS CLI"
-----
Script Run #17
-----
Start time      : 2006/11/06 20:30:09      End time       : 2006/11/06 20:35:24
Elapsed time    : 0d 00:05:15             Lifetime       : 0d 00:00:00
State          : terminated               Run exit code  : noError
Result time    : 2006/11/06 20:35:24     Keep history   : 0d 00:49:57
Error time     : never
Results file   : ftp://*: *@192.168.15.18/home/testlab_bgp/cron/_20061106-203008.
                out
Run exit       : Success
-----
Script Run #18
-----
Start time      : 2006/11/06 20:35:24      End time       : 2006/11/06 20:40:40
Elapsed time    : 0d 00:05:16             Lifetime       : 0d 00:00:00
State          : terminated               Run exit code  : noError
```

System Commands

```
Result time   : 2006/11/06 20:40:40      Keep history  : 0d 00:55:13
Error time    : never
Results file  : ftp://*:*@192.168.15.18/home/testlab_bgp/cron/_20061106-203523.
              out
Run exit      : Success
```

*A:Redundancy#

*A:Redundancy# show cron action run-history executing

=====

```
CRON Action Run History
```

=====

```
Action "test"
```

```
Owner "TIMOS CLI"
```

```
Script Run #20
```

```
Start time   : 2006/11/06 20:46:00      End time      : never
Elapsed time : 0d 00:00:56              Lifetime     : 0d 00:59:04
State        : executing                Run exit code : noError
Result time  : never                    Keep history  : 0d 01:00:00
Error time   : never
Results file : ftp://*:*@192.168.15.18/home/testlab_bgp/cron/_20061106-204559.
              out
```

=====

*A:Redundancy#

*A:Redundancy# show cron action run-history initializing

=====

```
CRON Action Run History
```

=====

```
Action "test"
```

```
Owner "TIMOS CLI"
```

```
Script Run #21
```

```
Start time   : never                    End time      : never
Elapsed time : 0d 00:00:00              Lifetime     : 0d 01:00:00
State        : initializing            Run exit code : noError
Result time  : never                    Keep history  : 0d 01:00:00
Error time   : never
Results file : none
```

```
Script Run #22
```

```
Start time   : never                    End time      : never
Elapsed time : 0d 00:00:00              Lifetime     : 0d 01:00:00
State        : initializing            Run exit code : noError
Result time  : never                    Keep history  : 0d 01:00:00
Error time   : never
Results file : none
```

```
Script Run #23
```

```
Start time   : never                    End time      : never
Elapsed time : 0d 00:00:00              Lifetime     : 0d 01:00:00
State        : initializing            Run exit code : noError
```

```

Result time      : never                Keep history   : 0d 01:00:00
Error time      : never
Results file    : none

```

```

=====
*A:Redundancy#

```

schedule

Syntax `schedule [schedule-name] [owner schedule-owner]`

Context `show>cron#`

Description This command displays cron schedule parameters.

Parameters *schedule-name* — Displays information for the specified scheduler name.
owner schedule-owner — Displays information for the specified scheduler owner.

Output The following table describes the show cron schedule output fields.

```
A:sim1>show>cron schedule test
```

Label	Description
Schedule name	Displays the schedule name.
Schedule owner	Displays the owner name of the action.
Description	Displays the schedule's description.
Administrative status	Enabled — The administrative status is enabled. Disabled — Administratively disabled.
Operational status	Enabled — The operational status is enabled. Disabled — Operationally disabled.
Action	Displays the action name
Action owner	Displays the name of action owner.
Script	Displays the name of the script.
Script owner	Displays the name of the script.
Script owner	Displays the name of the of script owner.
Script source location	Displays the location of scheduled script.
Script results location	Displays the location where the script results have been sent.

Label	Description (Continued)
Schedule type	Periodic – Displays a schedule which ran at a given interval. Calendar – Displays a schedule which ran based on a calendar. Oneshot – Displays a schedule which ran one time only.
Interval	Displays the interval between runs of an event.
Next scheduled run	Displays the time for the next scheduled run.
Weekday	Displays the configured weekday.
Month	Displays the configured month.
Day of Month	Displays the configured day of month.
Hour	Displays the configured hour.
Minute	Displays the configured minute.
Number of scheduled runs	Displays the number of scheduled sessions.
Last scheduled run	Displays the last scheduled session.
Number of scheduled failures	Displays the number of scheduled sessions that failed to execute.
Last scheduled failure	Displays the last scheduled session that failed to execute.
Last failure time	Displays the system time of the last failure.

```

=====
CRON Schedule Information
=====
Schedule                : test
Schedule owner          : TiMOS CLI
Description              : none
Administrative status   : enabled
Operational status      : enabled
Action                  : test
Action owner            : TiMOS CLI
Script                  : test
Script Owner            : TiMOS CLI
Script source location  : ftp://*****:*****@192.168.15.1/home/testlab_bgp
                        /cron/test1.cfg
Script results location : ftp://*****:*****@192.168.15.1/home/testlab_bgp
                        /cron/res
Schedule type           : periodic
Interval                : 0d 00:01:00 (60 seconds)
Next scheduled run      : 0d 00:00:42
Weekday                 : tuesday
Month                   : none
Day of month            : none
Hour                    : none
    
```

```

Minute                : none
Number of schedule runs : 10
Last schedule run     : 2008/01/01 17:20:52
Number of schedule failures : 0
Last schedule failure  : no error
Last failure time     : never
=====

```

```
A:sim1>show>cron
```

script

Syntax `script [script-name] [owner script-owner]`

Context `show>cron#`

Description This command displays cron script parameters.

Parameters *schedule-name* — Displays information for the specified script.

owner schedule-owner — Displays information for the specified script owner.

Output The following table describes the show cron script output fields.

Label	Description
Script	Displays the name of the script.
Script owner	Displays the owner name of script.
Administrative status	Enabled — Administrative status is enabled. Disabled — Administratively abled.
Operational status	Enabled — Operational status is enabled. Disabled — Operationally disabled.
Script source location	Displays the location of scheduled script.
Last script error	Displays the system time of the last error.
Last change	Displays the system time of the last change.

Sample Output

```
A:sim1>show>cron# script
```

```
=====
CRON Script Information
=====
```

```

Script                : test
Owner name            : TIMOS CLI

```

System Commands

```
Description           : asd
Administrative status  : enabled
Operational status    : enabled
Script source location : ftp://*****:*****@192.168.15.1/home/testlab_bgp
                      /cron/test1.cfg
Last script error     : none
Last change           : 2006/11/07 17:10:03
=====
A:sim1>show>cron#
```

information

- Syntax** **information**
- Context** show>system
- Description** This command displays general system information including basic system, SNMP server, last boot and DNS client information.
- Output** **System Information Output** — The following table describes the system information output fields.

Label	Description
System Name	The configured system name.
System Contact	A text string that describes the system contact information.
System Location	A text string that describes the system location.
System Coordinates	A text string that describes the system coordinates.
System Up Time	The time since the last boot.
SNMP Port	The port number used by this node to receive SNMP request messages and to send replies.
SNMP Engine ID	The SNMP engineID to uniquely identify the SNMPv3 node.
SNMP Max Message Size	The maximum SNMP packet size generated by this node.
SNMP Admin State	Enabled — SNMP is administratively enabled and running. Disabled — SNMP is administratively shutdown and not running.
SNMP Oper State	Enabled — SNMP is operationally enabled. Disabled — SNMP is operationally disabled.
SNMP Index Boot Status	Persistent — System indexes are saved between reboots. Not Persistent — System indexes are not saved between reboots.

Label	Description (Continued)
Telnet/SSH/FTP Admin	Displays the administrative state of the Telnet, SSH, and FTP sessions.
Telnet/SSH/FTP Oper	Displays the operational state of the Telnet, SSH, and FTP sessions.
BOF Source	The location of the BOF.
Image Source	<p>Primary – Indicates that the directory location for runtime image file was loaded from the primary source.</p> <p>Secondary – Indicates that the directory location for runtime image file was loaded from the secondary source.</p> <p>Tertiary – Indicates that the directory location for runtime image file was loaded from the tertiary source.</p>
Config Source	<p>Primary – Indicates that the directory location for configuration file was loaded from the primary source.</p> <p>Secondary – Indicates that the directory location for configuration file was loaded from the secondary source.</p> <p>Tertiary – Indicates that the directory location for configuration file was loaded from the tertiary source.</p>
Last Booted Config File	The URL and filename of the last loaded configuration file.
Last Boot Cfg Version	The date and time of the last boot.
Last Boot Config Header	Displays header information such as image version, date built, date generated.
Last Boot Index Version	The version of the persistence index file read when this card was last rebooted.
Last Boot Index Header	The header of the persistence index file read when this card was last rebooted.
Last Saved Config	The location and filename of the last saved configuration file.
Time Last Saved	The date and time of the last time configuration file was saved.
Changes Since Last Save	<p>Yes – There are unsaved configuration file changes.</p> <p>No – There are no unsaved configuration file changes.</p>
Time Last Modified	The date and time of the last modification.
Max Cfg/BOF Backup Rev	The maximum number of backup revisions maintained for a configuration file. This value also applies to the number of revisions maintained for the BOF file.

Label	Description (Continued)
Cfg-OK Script	URL – The location and name of the CLI script file executed following successful completion of the boot-up configuration file execution.
Cfg-OK Script Status	Successful/Failed. The results from the execution of the CLI script file specified in the Cfg-OK Script location. Not used – No CLI script file was executed.
Cfg-Fail Script	URL – The location and name of the CLI script file executed following a failed boot-up configuration file execution. Not used – No CLI script file was executed.
Cfg-Fail Script Status	Successful/Failed – The results from the execution of the CLI script file specified in the Cfg-Fail Script location. Not used – No CLI script file was executed.
DNS Server	The IP address of the DNS server.
DNS Domain	The DNS domain name of the node.
BOF Static Routes	To – The static route destination. Next Hop – The next hop IP address used to reach the destination. Metric – Displays the priority of this static route versus other static routes. None – No static routes are configured.

memory-pools

- Syntax** `memory-pools`
- Context** `show>system`
- Description** This command displays system memory status.
- Output** **Memory Pools Output** — The following table describes memory pool output fields.

Table 19: Show Memory Pool Output Fields

Label	Description
Name	The name of the system or process.
Max Allowed	Integer – The maximum allocated memory size. No Limit – No size limit.
Current Size	The current size of the memory pool.
Max So Far	The largest amount of memory pool used.

Table 19: Show Memory Pool Output Fields (Continued)

Label	Description
In Use	The current amount of the memory pool currently in use.
Current Total Size	The sum of the Current Size column.
Total In Use	The sum of the In Use column.
Available Memory	The amount of available memory.

Sample Output

```
A:ALA-1# show system memory-pools
=====
Memory Pools
=====
Name                Max Allowed    Current Size    Max So Far      In Use
-----
System              No limit      24,117,248     24,117,248     16,974,832
Icc                 8,388,608    1,048,576      1,048,576      85,200
RTM/Policies       No limit      5,242,912      5,242,912      3,944,104
OSPF               No limit      3,145,728      3,145,728      2,617,384
MPLS/RSVP         No limit      9,769,480      9,769,480      8,173,760
LDP                No limit      0              0              0
IS-IS              No limit      0              0              0
RIP                No limit      0              0              0
VRRP               No limit      1,048,576      1,048,576      96
Services           No limit      2,097,152      2,097,152      1,589,824
IOM                No limit      205,226,800    205,226,800    202,962,744
SIM                No limit      1,048,576      1,048,576      392
IGMP               No limit      0              0              0
MMPI               No limit      0              0              0
MFIB               No limit      0              0              0
PIP                No limit      79,943,024     79,943,024     78,895,248
MBUF               67,108,864    5,837,328      5,837,328      4,834,280
-----
Current Total Size : 343,495,200 bytes
Total In Use       : 324,492,768 bytes
Available Memory   : 640,178,652 bytes
=====
A:ALA-1#
```

ntp

Syntax	ntp
Context	show>system
Description	This command displays NTP protocol configuration and state.

Output Show NTP Output — The following table describes NTP output fields.

Label	Description
Enabled	yes — NTP is enabled. no — NTP is disabled.
Admin Status	yes — Administrative state is enabled. no — Administrative state is disabled.
NTP Server	Displays NTP server state of this node.
Stratum	Displays stratum level of this node.
Oper Status	yes — The operational state is enabled. no — The operational state is disabled.
Auth Check	Displays the authentication requirement
System Ref. ID	IP address of this node or a 4-character ASCII code showing the state.
Auth Error	Displays the number of authentication errors.
Auth Errors Ignored	Displays the number of authentication errors ignored.
Auth key ID Errors	Displays the number of key identification errors .
Auth Key Type Errors	Displays the number of authentication key type errors.
Reject	The peer is rejected and will not be used for synchronization. Rejection reasons could be the peer is unreachable, the peer is synchronized to this local server so synchronizing with it would create a sync loop, or the synchronization distance is too large. This is the normal startup state.
Invalid	The peer is not maintaining an accurate clock. This peer will not be used for synchronization.
Excess	The peer's synchronization distance is greater than ten other peers. This peer will not be used for synchronization.
Outlyer	The peer is discarded as an outlyer. This peer will not be used for synchronization.
Candidate	The peer is accepted as a possible source of synchronization.
Selected	The peer is an acceptable source of synchronization, but its synchronization distance is greater than six other peers.
Chosen	The peer is chosen as the source of synchronization.

Label	Description (Continued)
ChosenPPS	The peer is chosen as the source of synchronization, but the actual synchronization is occurring from a pulse-per-second (PPS) signal.
Remote	The IP address of the remote NTP server or peer with which this local host is exchanging NTP packets.
Reference ID	<p>When stratum is between 0 and 15 this field shows the IP address of the remote NTP server or peer with which the remote is exchanging NTP packets. For reference clocks, this field shows the identification assigned to the clock, such as, “.GPS.” For an NTP server or peer, if the client has not yet synchronized to a server/peer, the status cannot be determined and displays the following codes:</p> <p>Peer Codes:</p> <p>ACST — The association belongs to any cast server.</p> <p>AUTH — Server authentication failed. Please wait while the association is restarted.</p> <p>AUTO — Autokey sequence failed. Please wait while the association is restarted.</p> <p>BCST — The association belongs to a broadcast server.</p> <p>CRPT — Cryptographic authentication or identification failed. The details should be in the system log file or the cryptostats statistics file, if configured. No further messages will be sent to the server.</p> <p>DENY — Access denied by remote server. No further messages will be sent to the server.</p> <p>DROP — Lost peer in symmetric mode. Please wait while the association is restarted.</p> <p>RSTR — Access denied due to local policy. No further messages will be sent to the server.</p> <p>INIT — The association has not yet synchronized for the first time.</p> <p>MCST — The association belongs to a manycast server.</p> <p>NKEY — No key found. Either the key was never installed or is not trusted.</p> <p>RATE — Rate exceeded. The server has temporarily denied access because the client exceeded the rate threshold.</p> <p>RMOT — The association from a remote host running ntpdc has had unauthorized attempted access.</p> <p>STEP — A step change in system time has occurred, but the association has not yet resynchronized.</p> <p>System Codes</p> <p>INIT — The system clock has not yet synchronized for the first time.</p> <p>STEP — A step change in system time has occurred, but the system clock has not yet resynchronized.</p>
St	Stratum level of this node.
Auth	yes — Authentication is enabled.

Label	Description (Continued)
	no — Authentication is disabled.
Poll	Polling interval in seconds.
R	Yes — The NTP peer or server has been reached at least once in the last 8 polls. No — The NTP peer or server has not been reached at least once in the last 8 polls.
Offset	The time between the local and remote UTC time, in milliseconds.

Sample Output

```
A:pc-40>config>system>time>ntp# show system ntp
=====
NTP Status
=====
Enabled           : Yes           Stratum           : 3
Admin Status     : up             Oper Status      : up
Server enabled   : No            Server keyId     : none
System Ref Id    : 192.168.15.221 Auth Check       : Yes
=====
```

```
A:pc-40>config>system>time>ntp# show system ntp all
=====
NTP Status
=====
Enabled           : Yes           Stratum           : 3
Admin Status     : up             Oper Status      : up
Server enabled   : No            Server keyId     : none
System Ref Id    : 192.168.15.221 Auth Check       : Yes
=====
```

```
NTP Active Associations
=====
State  Remote      Reference ID  St  Type  Auth  Poll  R  Offset
-----
reject 192.168.15.221 192.168.14.50 2  srvr  none  64   y  0.901
chosen 192.168.15.221 192.168.14.50 2  mclnt none  64   y  1.101
=====
A:pc-40>config>system>time>ntp#
```

```
*A:pc-4.0# show system ntp detail
=====
NTP Status
=====
Enabled           : Yes           Stratum           : 3
Admin Status     : up             Oper Status      : up
Server enabled   : No            Server keyId     : none
System Ref Id    : 10.135.16.130 Auth Check       : Yes
Auth Errors      : 1             Auth Errors Ignored : 0
=====
```

```

Auth Key Id Errors : 1                      Auth Key Type Errors : 0
=====
NTP Configured Broadcast Interfaces
=====
vRouter      Interface      Address          Type    Auth    Poll
-----
Base         new             Host-ones       bcast  no      off
Base         direct          Host-ones       bclnt  no      n/a
=====
*A:pc-4.0#

*A:pc-4.0# show system ntp detail all
=====
NTP Status
=====
Enabled      : Yes           Stratum         : 3
Admin Status : up            Oper Status     : up
Server enabled : No           Server keyId    : none
System Ref Id : 10.135.16.130 Auth Check      : Yes
Auth Errors   : 0             Auth Errors Ignored : 0
Auth Key Id Errors : 0         Auth Key Type Errors : 0
=====
NTP Configured Broadcast Interfaces
=====
vRouter      Interface      Address          Type    Auth    Poll
-----
Base         new             Host-ones       bcast  no      off
Base         direct          Host-ones       bclnt  no      n/a
=====
NTP Active Associations
=====
State      Remote          Reference ID    St Type  A  Poll Reach  Offset (ms)
-----
candidate  21.0.0.1        10.135.16.130  3 actpr y  64  YYYY.YY.  14.440
chosen     10.135.16.130  127.127.1.0    2 srvr  -  256  .Y.YYYYY  24.364
reject     10.135.16.130  127.127.1.0    2 bclnt -  64  .....Y  27.576
=====
*A:pc-4.0#

```

sntp

Syntax	sntp
Context	show>system
Description	This command displays SNTP protocol configuration and state.

Output **Show SNTP Output** — The following table describes SNTP output fields.

Table 20: Show System SNTP Output Fields

Label	Description
SNTP Server	The SNTP server address for SNTP unicast client mode.
Version	The SNTP version number, expressed as an integer.
Preference	Normal — When more than one time server is configured, one server can be configured to have preference over another. Preferred — Indicates that this server has preference over another.
Interval	The frequency, in seconds, that the server is queried.

```
*A:pc-4.0# show system sntp
=====
SNTP Status
=====
Admin Status : up          Oper Status : up          Mode : broadcast
=====
SNTP Servers
=====
SNTP Server      Version      Preference      Interval
-----
10.135.16.90     3            Preferred       64
-----
No. of SNTP Servers: 1
=====
*A:pc-4.0#
```

thresholds

Syntax **thresholds**

Context show>system

Description This command display system monitoring thresholds.

Output **Thresholds Output** — following table describes system threshold output fields.

Label	Description
Variable	Displays the variable OID.
Alarm Id	Displays the numerical identifier for the alarm.
Last Value	Displays the last threshold value.

Label	Description (Continued)
Rising Event Id	Displays the identifier of the RMON rising event.
Threshold	Displays the identifier of the RMON rising threshold.
Falling Event Id	Displays the identifier of the RMON falling event.
Threshold	Displays the identifier of the RMON falling threshold.
Sample Interval	Displays the polling interval, in seconds, over which the data is sampled and compared with the rising and falling thresholds.
Sample Type	Displays the method of sampling the selected variable and calculating the value to be compared against the thresholds.
Startup Alarm	Displays the alarm that may be sent when this alarm is first created.
Owner	Displays the owner of this alarm.
Description	Displays the event cause.
Event Id	Displays the identifier of the threshold event.
Last Sent	Displays the date and time the alarm was sent.
Action Type	<p>log — An entry is made in the RMON-MIB log table for each event occurrence. This does not create a TiMOS logger entry. The RMON-MIB log table entries can be viewed using the show>system>thresholds CLI command.</p> <p>trap — A TiMOS logger event is generated. The TiMOS logger utility then distributes the notification of this event to its configured log destinations which may be CONSOLE, telnet session, memory log, cflash file, syslog, or SNMP trap destinations logs.</p> <p>both — Both a entry in the RMON-MIB logTable and a TiMOS logger event are generated.</p> <p>none — No action is taken</p>
Owner	Displays the owner of the event.

Sample Output

```
A:ALA-48# show system thresholds
=====
Threshold Alarms
=====
Variable: tmtxCpmFlashUsed.1.11.1
Alarm Id      : 1          Last Value : 835
Rising Event Id : 1          Threshold  : 5000
Falling Event Id : 2          Threshold  : 2500
Sample Interval : 2147483* SampleType : absolute
Startup Alarm  : either   Owner       : TiMOS CLI
```

System Commands

```
Variable: tmnxCpmFlashUsed.1.11.1
Alarm Id      : 2          Last Value : 835
Rising Event Id : 3          Threshold : 10000
Falling Event Id : 4          Threshold : 5000
Sample Interval : 2147483* SampleType : absolute
Startup Alarm  : rising    Owner      : TiMOS CLI
Variable: sgiMemoryUsed.0
Alarm Id      : 3          Last Value : 42841056
Rising Event Id : 5          Threshold : 4000
Falling Event Id : 6          Threshold : 2000
Sample Interval : 2147836 SampleType : absolute
Startup Alarm  : either    Owner      : TiMOS CLI
=====
* indicates that the corresponding row element may have been truncated.
=====
Threshold Events
=====
Description: TiMOS CLI - cflash capacity alarm rising event
Event Id      : 1          Last Sent : 10/31/2006 08:47:59
Action Type   : both      Owner      : TiMOS CLI
Description: TiMOS CLI - cflash capacity alarm falling event
Event Id      : 2          Last Sent : 10/31/2006 08:48:00
Action Type   : both      Owner      : TiMOS CLI
Description: TiMOS CLI - cflash capacity warning rising event
Event Id      : 3          Last Sent : 10/31/2006 08:47:59
Action Type   : both      Owner      : TiMOS CLI
Description: TiMOS CLI - cflash capacity warning falling event
Event Id      : 4          Last Sent : 10/31/2006 08:47:59
Action Type   : both      Owner      : TiMOS CLI
Description: TiMOS CLI - memory usage alarm rising event
Event Id      : 5          Last Sent : 10/31/2006 08:48:00
Action Type   : both      Owner      : TiMOS CLI
Description: TiMOS CLI - memory usage alarm falling event
Event Id      : 6          Last Sent : 10/31/2006 08:47:59
Action Type   : both      Owner      : TiMOS CLI
=====
Threshold Events Log
=====
Description      : TiMOS CLI - cflash capacity alarm falling eve
                  nt : value=835, <=2500 : alarm-index 1, event
                  -index 2 alarm-variable OID tmnxCpmFlashUsed.
                  1.11.1
Event Id         : 2          Time Sent  : 10/31/2006 08:48:00
Description      : TiMOS CLI - memory usage alarm rising event :
                  value=42841056, >=4000 : alarm-index 3, even
                  t-index 5 alarm-variable OID sgiMemoryUsed.0
Event Id         : 5          Time Sent  : 10/31/2006 08:48:00
=====
A:ALA-48#
```

time

- Syntax** `time`
- Context** `show>system`
- Description** This command displays the system time and zone configuration parameters.
- Output** **System Time Output** — The following table describes system time output fields.

Table 21: Show System Time Output Fields

Label	Description
Date & Time	The system date and time using the current time zone.
DST Active	Yes — Daylight Savings Time is currently in effect. No — Daylight Savings Time is not currently in effect.
Zone	The zone names for the current zone, the non-DST zone, and the DST zone if configured.
Zone type	Non-standard — The zone is user-defined. Standard — The zone is system defined.
Offset from UTC	The number of hours and minutes added to universal time for the zone, including the DST offset for a DST zone
Offset from Non-DST	The number of hours (always 0) and minutes (0—60) added to the time at the beginning of Daylight Saving Time and subtracted at the end Daylight Saving Time.
Starts	The date and time Daylight Saving Time begins.
Ends	The date and time Daylight Saving Time ends.

Sample Output

```
A:ALA-1# show system time
=====
Date & Time
=====
Current Date & Time : 2006/05/05 23:03:13   DST Active       : yes
Current Zone       : PDT                   Offset from UTC  : -7:00
-----
Non-DST Zone      : PST                   Offset from UTC  : -8:00
Zone type         : standard
-----
DST Zone          : PDT                   Offset from Non-DST : 0:60
Starts           : first sunday in april 02:00
```

System Commands

```
Ends                : last sunday in october 02:00
=====
A:ALA-1#

A:ALA-1# show system time (with no DST zone configured)
=====
Date & Time
=====
Current Date & Time : 2006/05/12 11:12:05      DST Active      :      no
Current Zone       : APA          Offset from UTC :  -8:00
-----
Non-DST Zone      : APA          Offset from UTC :  -8:00
Zone Type         : non-standard
-----
No DST zone configured
=====
A:ALA-1#
```

time

Syntax	time
Context	show
Description	This command displays the current day, date, time and time zone. The time is displayed either in the local time zone or in UTC depending on the setting of the root level time-display command for the console session.
Output	Sample Output A:ALA-49# show time Tue Oct 31 12:17:15 GMT 2006

tod-suite

- Syntax** **tod-suite [detail]**
tod-suite associations
tod-suite failed-associations
- Context** show>cron
- Description** This command displays information on the configured time-of-day suite.
- Output** **CRON TOD Suite Output** — The following table describes TOD suite output fields:

Table 22: Show System tod-suite Output Fields

Label	Description
Associations	Shows which SAPs this tod-suite is associated with.
failed-associations	Shows the SAPs or Multiservice sites where the TOD Suite could not be applied successfully.
Detail	Shows the details of this tod-suite.

Sample Output

```
A:kerckhot_4# show cron tod-suite suite_sixteen detail
=====
Cron tod-suite details
=====
Name          : suite_sixteen
Type / Id      Time-range      Prio  State
-----
Ingress Qos Policy
  1160          day              5     Inact
  1190          night            6     Activ
Ingress Scheduler Policy
  SchedPolCust1_Day      day              5     Inact
  SchedPolCust1_Night    night            6     Activ
Egress Qos Policy
  1160          day              5     Inact
  1190          night            6     Activ
Egress Scheduler Policy
  SchedPolCust1Egress_Day  day              5     Inact
=====
A:kerckhot_4#
```

The following example shows output for TOD suite associations.

```
A:kerckhot_4# show cron tod-suite suite_sixteen associations
=====
Cron tod-suite associations for suite suite_sixteen
=====
Service associations
```

```

-----
Service Id   : 1                               Type    : VPLS
SAP 1/1/1:1
SAP 1/1/1:2
SAP 1/1/1:3
SAP 1/1/1:4
SAP 1/1/1:5
SAP 1/1/1:6
SAP 1/1/1:20
-----
Number of SAP's : 7
Customer Multi-Service Site associations
-----
Multi Service Site: mss_1_1
-----
Number of MSS's: 1
=====
A:kerckhot_4#

```

The following example shows output for TOD suite failed-associations.

```

A:kerckhot_4# show cron tod-suite suite_sixteen failed-associations
=====
Cron tod-suite associations failed
-----
tod-suite suite_sixteen : failed association for SAP
-----
Service Id   : 1                               Type    : VPLS
SAP 1/1/1:2
SAP 1/1/1:3
SAP 1/1/1:4
SAP 1/1/1:5
SAP 1/1/1:6
SAP 1/1/1:20
-----
tod-suite suite_sixteen : failed association for Customer MSS
-----
None
-----
Number of tod-suites failed/total : 1/1
=====
A:kerckhot_4#

```

Zooming in on one of the failed SAPs, the assignments of QoS and scheduler policies are shown as not as intended:

```

A:kerckhot_4# show service id 1 sap 1/1/1:2
=====
Service Access Points(SAP)
=====
Service Id       : 1
SAP              : 1/1/1:2                Encap           : q-tag
Dot1Q Ethertype : 0x8100                    QinQ Ethertype  : 0x8100
Admin State     : Up                      Oper State      : Up
Flags           : None
Last Status Change : 10/05/2006 18:11:34
Last Mgmt Change  : 10/05/2006 22:27:48
Max Nbr of MAC Addr: No Limit                Total MAC Addr  : 0

```

```

Learned MAC Addr   : 0
Admin MTU          : 1518
Ingress qos-policy : 1130
Intend Ing qos-pol* : 1190
Shared Q plcy     : n/a
Ingr IP Fltr-Id   : n/a
Ingr Mac Fltr-Id  : n/a
tod-suite         : suite_sixteen
Egr Agg Rate Limit : max
ARP Reply Agent    : Unknown
Mac Learning      : Enabled
Mac Aging         : Enabled
L2PT Termination  : Disabled

Static MAC Addr    : 0
Oper MTU          : 1518
Egress qos-policy : 1130
Intend Egr qos-po* : 1190
Multipoint shared : Disabled
Egr IP Fltr-Id    : n/a
Egr Mac Fltr-Id   : n/a
qinq-pbit-marking : both

Host Conn Verify   : Disabled
Discard Unkwn Srce : Disabled
Mac Pinning        : Disabled
BPDU Translation   : Disabled

```

```

Multi Svc Site     : None
I. Sched Pol      : SchedPolCust1
Intend I Sched Pol : SchedPolCust1_Night
E. Sched Pol      : SchedPolCust1Egress
Intend E Sched Pol : SchedPolCust1Egress_Night
Acct. Pol         : None
Anti Spoofing     : None
Collect Stats     : Disabled
Nbr Static Hosts  : 0

```

```
=====
A:kerckhot_4#
```

If a time-range is specified for a filter entry, use the **show filter** command to view results:

```
A:kerckhot_4# show filter ip 10
```

```
=====
IP Filter
```

```

Filter Id   : 10
Scope      : Template
Entries    : 2
Applied    : No
Def. Action : Drop

```

```
-----
Filter Match Criteria : IP
-----
```

```

Entry      : 1010
time-range : day
Log Id     : n/a
Src. IP    : 0.0.0.0/0
Dest. IP   : 10.10.100.1/24
Protocol   : Undefined
ICMP Type  : Undefined
Fragment   : Off
Sampling   : Off
IP-Option  : 0/0
TCP-syn    : Off
Match action : Forward
Next Hop   : 138.203.228.28
Ing. Matches : 0
Egr. Matches : 0
Entry      : 1020
time-range : night
Log Id     : n/a
Src. IP    : 0.0.0.0/0
Dest. IP   : 10.10.1.1/16
Protocol   : Undefined
ICMP Type  : Undefined
Fragment   : Off
Sampling   : Off

```

System Commands

```
IP-Option      : 0/0                      Multiple Option: Off
TCP-syn        : Off                      TCP-ack         : Off
Match action   : Forward
Next Hop       : 172.22.184.101
Ing. Matches   : 0                        Egr. Matches    : 0
=====
A:kerckhot_4#
```

If a filter is referred to in a TOD Suite assignment, use the `show filter associations` command to view the output:

```
A:kerckhot_4# show filter ip 160 associations
=====
IP Filter
=====
Filter Id      : 160                      Applied        : No
Scope         : Template                  Def. Action    : Drop
Entries        : 0
-----
Filter Association : IP
-----
Tod-suite "english_suite"
- ingress, time-range "day" (priority 5)
=====
A:kerckhot_4#
```

time-range

- Syntax** `time-range name associations [detail]`
- Context** `show>cron`
- Description** This command displays information on the configured time ranges.
- Output** **Time Range Output** — The following table displays system time range output fields:

Table 23: Show System Time-range Output Fields

Label	Description
Associations	Shows the time-range as it is associated with the TOD suites and ACL entries as well as the SAPs using them.
Detail	Shows the details of this time-range.

Sample Output

The following example shows time-range detail output.

```
A:ala# show cron time-range time-range2 detail
=====
Cron time-range
=====
Name       : time-range1
Periodic   : Start * * * * End * * * *
Absolute   : Start * * * * End * * * *
```

The following example shows output for time-range associations with previously created IP and MAC filters.

```
A:ala# show cron time-range day associations
=====
Cron time-range associations
=====
Name       : day                               State : Inactive
-----
IP Filter associations
-----
IP filter Id : 10, entry 1010
-----
MAC Filter associations
-----
None
-----
Tod-suite associations
-----
Tod-suite : suite_sixteen, for Ingress Qos Policy "1160"
Tod-suite : suite_sixteen, for Ingress Scheduler Policy "SchedPolCust1_Day"
Tod-suite : suite_sixteen, for Egress Qos Policy "1160"
Tod-suite : suite_sixteen, for Egress Scheduler Policy "SchedPolCust1Egress_Day"
=====
```

uptime

Syntax	uptime
Context	show
Description	This command displays the time since the system started.
Output	Uptime Output — The following table describes uptime output fields.

Table 24: System Timing Output Fields

Label	Description
System Up Time	Displays the length of time the system has been up in days, hr:min:sec format.

Sample Output

```
A:ALA-1# show uptime
System Up Time      : 11 days, 18:32:02.22 (hr:min:sec)
```

A:ALA-1#

chassis

Syntax `chassis [environment] [power-supply]`**Context** show**Description** This command displays general chassis status information.**Parameters** **environment** — Displays chassis environmental status information.**Default** Display all chassis information.**power-supply** — Displays chassis power supply status information.**Default** Display all chassis information.**Output** **Chassis Output** — The following table describes chassis output fields.

Label	Description
Name	The system name for the router.
Type	The router series model number.
Location	The system location for the device.
Coordinates	A user-configurable string that indicates the Global Positioning System (GPS) coordinates for the location of the chassis. For example: N 45 58 23, W 34 56 12 N37 37' 00 latitude, W122 22' 00 longitude N36*39.246' W121*40.121'
CLLI Code	The Common Language Location Identifier (CLLI) that uniquely identifies the geographic location of places and certain functional categories of equipment unique to the telecommunications industry.
Number of slots	The number of slots in this chassis that are available for plug-in cards. The total number includes slots.
Number of ports	The total number of ports currently installed in this chassis.
Critical LED state	The current state of the Critical LED in this chassis.
Major LED state	The current state of the Major LED in this chassis.

Label	Description (Continued)
Minor LED state	The current state of the Minor LED in this chassis.
Base MAC address	The base chassis Ethernet MAC address.
Part number	The part number.
CLEI code	The code used to identify the router.
Serial number	The part number. Not user modifiable.
Manufacture date	The chassis manufacture date. Not user modifiable.
Manufacturing string	Factory-inputted manufacturing text string. Not user modifiable.
Time of last boot	The date and time the most recent boot occurred.
Current alarm state	Displays the alarm conditions for the specific board.
Number of fan trays	The total number of fan trays installed in this chassis.
Number of fans	The total number of fans installed in this chassis.
Operational status	Current status of the fan tray.
Fan speed	Half speed – The fans are operating at half speed. Full speed – The fans are operating at full speed.
Number of power supplies	The number of power supplies installed in the chassis.
Power supply number	The ID for each power supply installed in the chassis.
AC power	Within range – AC voltage is within range. Out of range – AC voltage is out of range.
DC power	Within range – DC voltage is within range. Out of range – DC voltage is out of range.
Over temp	Within range – The current temperature is within the acceptable range. Out of range – The current temperature is above the acceptable range.
Status	Up/Present – The specified power supply is up. Down – The specified power supply is down.

Sample Output

Note: This CLI output is obtained only if the hardware supports "DC source failure detection".

A:7210-SAS-E> show chassis

=====
Chassis Information

=====
Name : STU2597
Type : 7210 SAS-E-1
Location :
Coordinates :
CLLI code :
Number of slots : 2
Number of ports : 24
Critical LED state : Red
Major LED state : Off
Minor LED state : Off
Over Temperature state : OK
Base MAC address : 00:25:ba:04:b9:bc

Hardware Data

Part number : 3HE04410ABAC01
CLEI code : IPMK310JRA
Serial number : NS1026C0341
Manufacture date : 06292010
Manufacturing string :
Manufacturing deviations :
Time of last boot : 2010/11/09 16:12:40
Current alarm state : alarm active

Environment Information

Number of fan trays : 1
Number of fans : 3

Fan tray number : 1
Status : up
Speed : half speed

Power Supply Information

Number of power supplies : 2

Power supply number : 1
Configured power supply type : dc
Status : failed
DC power : out of range
Input power : out of range
Output power : within range

Power supply number : 2
Configured power supply type : dc
Status : up
DC power : within range
Input power : within range
Output power : within range

```

=====
A:7210-SAS-E>

A:7210-SAS-E> show chassis
=====
Chassis Information
=====
      Name                : STU2597
      Type                 : 7210 SAS-E-1
      Location              :
      Coordinates          :
      CLLI code            :
      Number of slots      : 2
      Number of ports      : 24
      Critical LED state   : Off
      Major LED state      : Off
      Minor LED state     : Off
      Over Temperature state : OK
      Base MAC address     : 00:25:ba:04:b9:bc

Hardware Data
      Part number          : 3HE04410ABAC01
      CLEI code            : IPMK310JRA
      Serial number        : NS1026C0341
      Manufacture date     : 06292010
      Manufacturing string  :
      Manufacturing deviations :
      Time of last boot    : 2010/11/09 16:12:40
      Current alarm state  : alarm cleared

-----
Environment Information
      Number of fan trays  : 1
      Number of fans      : 3

      Fan tray number     : 1
      Status              : up
      Speed               : half speed

-----
Power Supply Information
      Number of power supplies : 2

      Power supply number   : 1
      Configured power supply type : dc
      Status               : up
      DC power              : within range
      Input power           : within range
      Output power         : within range

      Power supply number   : 2
      Configured power supply type : dc
      Status               : up
      DC power              : within range
      Input power           : within range

```

System Commands

Output power : within range

=====
A:7210-SAS-E>

alarm-contact-input

- Syntax** `alarm-contact-input alarm-contact-input-id`
- Context** `show>system`
- Description** This command displays information on the alarm contact input pin.
- Output** **alarm-contact-input output** — The following table describes alarm-contact-input output fields.

Label	Description
Alarm input pin Number	Indicates the pin alarm input pin number.
Alarm input pin Description	Describes the alarm indicating its usage or attribute.
Alarm input pin current state	Indicates the current state of the alarm contact input pin.
Alarm output pin used	Indicates the alarm output pin used.
Last state change time	Indicates the previous state change time.

alarm-contact-input

- Syntax** `alarm- contact-input all`
- Context** `show>alarm-contact`
- Description** This command displays information of all the alarm contact input pins.
- Output** **alarm-contact-input Output** — The following table describes alarm-contact-input output fields.

Label	Description
Alarm input pin Number	Indicates the pin alarm input pin number.
Alarm input pin Description	Describes the alarm indicating its usage or attribute.
Alarm input pin current state	Indicates the current state of the alarm contact input pin.
Alarm output pin used	Indicates the alarm output pin used.
Last state change time	Indicates the previous state change time.

Sample Output

```
*A:7210-2# show alarm-contact-input 1
=====
Alarm Contact Input
=====
Alarm Input Pin Number      : 1
Alarm Input Pin Current State : Disabled
Alarm Output Pin Used       : Major
=====
*A:7210-2#
```

```
*A:7210-2# show alarm-contact-input 1 detail
=====
Alarm Contact Input
=====
Alarm Input Pin Number      : 1
Alarm Input Pin Description :
Alarm Input Pin Current State : Disabled
Alarm Output Pin Used       : Major
Last State Change           : 05/19/2010 11:28:09
=====
*A:7210-2#
```

```
*A:7210-2# show alarm-contact-input all
=====
Alarm Contact Input
=====
Alarm Input Pin Number      : 1
Alarm Input Pin Description :
Alarm Input Pin Current State : Disabled
Alarm Output Pin Used       : Major
Last State Change           : 05/19/2010 11:28:09
Alarm Input Pin Number      : 2
Alarm Input Pin Description :
Alarm Input Pin Current State : Disabled
Alarm Output Pin Used       : Major
Last State Change           : 05/19/2010 11:28:09
Alarm Input Pin Number      : 3
Alarm Input Pin Description :
Alarm Input Pin Current State : Disabled
Alarm Output Pin Used       : Major
Last State Change           : 05/19/2010 11:28:09
Alarm Input Pin Number      : 4
Alarm Input Pin Description :
Alarm Input Pin Current State : Disabled
Alarm Output Pin Used       : Major
Last State Change           : 05/19/2010 11:28:09
=====
*A:7210-2#
```

Debug Commands

system

Syntax	<code>[no] system</code>
Context	debug
Description	This command displays system debug information.

ntp

Syntax	<code>[no] router <i>router-name</i> interface <i>ip-int-name</i></code>
Context	debug>system
Description	This command enables and configures debugging for NTP. The no form of the command disables debugging for NTP.
Parameters	<i>router-name</i> — Base Default Base <i>ip-int-name</i> — maximum 32 characters; must begin with a letter. If the string contains special characters (#, \$, spaces, etc.), the entire string must be enclosed within double quotes.

Clear Commands

cron

Syntax	cron action completed [<i>action-name</i>] [owner <i>action-owner</i>]
Context	clear
Description	This command clears completed CRON action run history entries.
Parameters	<i>action-name</i> — Specifies the action name. Values maximum 32 characters owner <i>action-owner</i> — Specifies the owner name. Default TiMOS CLI

screen

Syntax	screen
Context	clear
Description	This command allows an operator to clear the Telnet or console screen.

sync-if-timingtrace

Syntax	trace log
Context	clear
Description	This command allows an operator to clear the trace log.

Standards and Protocol Support

Standards Compliance

IEEE 802.1d Bridging
IEEE 802.1p/Q VLAN Tagging
IEEE 802.1w Rapid Spanning Tree Protocol
IEEE 802.1x Port Based Network Access Control
IEEE 802.1ad Provider Bridges
IEEE 802.1ag Service Layer OAM
IEEE 802.3ah Ethernet in the First Mile
IEEE 802.3 10BaseT
IEEE 802.3ad Link Aggregation
IEEE 802.3ah Ethernet OAM
IEEE 802.3u 100BaseTX
IEEE 802.3z 1000BaseSX/LX
ITU-T Y.1731 OAM functions and mechanisms for Ethernet based networks
IANA-IFType-MIB
IEEE8023-LAG-MIB

Protocol Support

DIFFERENTIATED SERVICES

RFC 2474 Definition of the DS Field the IPv4 and IPv6 Headers (Rev)
RFC 2597 Assured Forwarding PHB Group (rev3260)
RFC 2598 An Expedited Forwarding PHB
RFC 3140 Per-Hop Behavior Identification Codes

MULTICAST

RFC 1112 Host Extensions for IP Multicasting (Snooping)
RFC 2236 Internet Group Management Protocol, (Snooping)
RFC 3376 Internet Group Management Protocol, Version 3 (Snooping)

TCP/IP

RFC 768 UDP
RFC 1350 The TFTP Protocol (Rev.
RFC 791 IP
RFC 792 ICMP
RFC 793 TCP
RFC 826 ARP

RFC 854 Telnet
RFC 1519 CIDR
RFC 1812 Requirements for IPv4 Routers
RFC 2347 TFTP option Extension
RFC 2328 TFTP Blocksize Option
RFC 2349 TFTP Timeout Interval and Transfer Size option

RADIUS

RFC 2865 Remote Authentication Dial In User Service
RFC 2866 RADIUS Accounting

SSH

draft-ietf-secsh-architecture.txt SSH Protocol Architecture
draft-ietf-secsh-userauth.txt SSH Authentication Protocol
draft-ietf-secsh-transport.txt SSH Transport Layer Protocol
draft-ietf-secsh-connection.txt SSH Connection Protocol
draft-ietf-secsh-newmodes.txt SSH Transport Layer Encryption Modes

TACACS+

draft-grant-tacacs-02.txt

NETWORK MANAGEMENT

IITU-T X.721: Information technology-OSI-Structure of Management Information
ITU-T X.734: Information technology-OSI-Systems Management: Event Report Management Function
M.3100/3120 Equipment and Connection Models
TMF 509/613 Network Connectivity Model
RFC 1157 SNMPv1
RFC 1215 A Convention for Defining Traps for use with the SNMP
RFC 1907 SNMPv2-MIB
RFC 2011 IP-MIB
RFC 2012 TCP-MIB
RFC 2013 UDP-MIB
RFC 2096 IP-FORWARD-MIB
RFC 2138 RADIUS

RFC 2571 SNMP-FRAMEWORKMIB
RFC 2572 SNMP-MPD-MIB
RFC 2573 SNMP-TARGET-&-NOTIFICATION-MIB
RFC 2574 SNMP-USER-BASED-SMMIB
RFC 2575 SNMP-VIEW-BASED-ACM-MIB
RFC 2576 SNMP-COMMUNITY-MIB
RFC 2665 EtherLike-MIB
RFC 2819 RMON-MIB
RFC 2863 IF-MIB
RFC 2864 INVERTED-STACK-MIB
RFC 3014 NOTIFICATION-LOGMIB
RFC 3164 Syslog
RFC 3273 HCRMON-MIB
RFC 3411 An Architecture for Describing Simple Network Management Protocol (SNMP) Management Frameworks
RFC 3412 - Message Processing and Dispatching for the Simple Network Management Protocol (SNMP)
RFC 3413 - Simple Network Management Protocol (SNMP) Applications
RFC 3414 - User-based Security Model (USM) for version 3 of the Simple Network Management Protocol (SNMPv3)
RFC 3418 - SNMP MIB
draft-ietf-disman-alarm-mib-04.txt

PROPRIETARY MIBs

ALCATEL-IGMP-SNOOPING-MIB.mib
TIMETRA-CAPABILITY-7210-SAS-E-V1v0.mib
TIMETRA-CHASSIS-MIB.mib
TIMETRA-CLEAR-MIB.mib
TIMETRA-DOT3-OAM-MIB.mib
TIMETRA-FILTER-MIB.mib
TIMETRA-GLOBAL-MIB.mib
TIMETRA-IEEE8021-CFM-MIB.mib
TIMETRA-LAG-MIB.mib
TIMETRA-LOG-MIB.mib
TIMETRA-MIRROR-MIB.mib
TIMETRA-NTP-MIB.mib
TIMETRA-OAM-TEST-MIB.mib

Standards and Protocols

TIMETRA-PORT-MIB.mib
TIMETRA-QOS-MIB.mib
TIMETRA-SAS-ALARM-INPUT-
MIB.mib
TIMETRA-SAS-IEEE8021-CFM-
MIB.mib
TIMETRA-SAS-GLOBAL-MIB.mib
TIMETRA-SAS-PORT-MIB.mib
TIMETRA-SAS-QOS-MIB.mib
TIMETRA-SAS-SYSTEM-MIB.mib
TIMETRA-SCHEDULER-MIB.mib
TIMETRA-SECURITY-MIB.mib
TIMETRA-SERV-MIB.mib
TIMETRA-SYSTEM-MIB.mib
TIMETRA-TC-MIB.mib
TIMETRA-VRTR-MIB.mib

INDEX

A

auto mode 100

B

BOF

overview

image loading

persistence 106

saving a configuration 121

configuring

accessing

the CLI 116

console connection 116

basic 111

BOF parameters 118

command reference 125

management tasks 119

overview 110

rebooting 123

searching for BOF file 113

C

CLI

usage

basic commands 22

command prompt 29

displaying context configurations 30

displaying help 27

entering CLI commands 34

environment commands 25

exec 33

monitor commands 26

navigating 20

structure 18

F

File system

overview

compact flash devices 78

URLs 79

configuring 81

command reference 87

copying files 83

creating directories 82

displaying information 85

modifying 81

moving files 84

removing/deleting 84

I

image loading 102

M

manual mode 99

S

System

overview

backup config files 194

CLLI 154

contact 152

coordinates 153

location 153

name 152

saving configurations 166

time 155

configuring

basic 167

command reference

administration commands 211

system information commands 207

system time commands 209

system administration parameters 195

system parameters 169

system time elements 173

