



# Nokia Service Router Linux

## Release 23.3

## EVPN-VXLAN Guide

---

3HE 19180 AAAA TQZZA  
Edition 01  
April 2023

© 2023 Nokia.

Use subject to Terms available at: [www.nokia.com/terms](http://www.nokia.com/terms).

Nokia is committed to diversity and inclusion. We are continuously reviewing our customer documentation and consulting with standards bodies to ensure that terminology is inclusive and aligned with the industry. Our future customer documentation will be updated accordingly.

---

This document includes Nokia proprietary and confidential information, which may not be distributed or disclosed to any third parties without the prior written consent of Nokia.

This document is intended for use by Nokia's customers ("You"/"Your") in connection with a product purchased or licensed from any company within Nokia Group of Companies. Use this document as agreed. You agree to notify Nokia of any errors you may find in this document; however, should you elect to use this document for any purpose(s) for which it is not intended, You understand and warrant that any determinations You may make or actions You may take will be based upon Your independent judgment and analysis of the content of this document.

Nokia reserves the right to make changes to this document without notice. At all times, the controlling version is the one available on Nokia's site.

No part of this document may be modified.

NO WARRANTY OF ANY KIND, EITHER EXPRESS OR IMPLIED, INCLUDING BUT NOT LIMITED TO ANY WARRANTY OF AVAILABILITY, ACCURACY, RELIABILITY, TITLE, NON-INFRINGEMENT, MERCHANTABILITY OR FITNESS FOR A PARTICULAR PURPOSE, IS MADE IN RELATION TO THE CONTENT OF THIS DOCUMENT. IN NO EVENT WILL NOKIA BE LIABLE FOR ANY DAMAGES, INCLUDING BUT NOT LIMITED TO SPECIAL, DIRECT, INDIRECT, INCIDENTAL OR CONSEQUENTIAL OR ANY LOSSES, SUCH AS BUT NOT LIMITED TO LOSS OF PROFIT, REVENUE, BUSINESS INTERRUPTION, BUSINESS OPPORTUNITY OR DATA THAT MAY ARISE FROM THE USE OF THIS DOCUMENT OR THE INFORMATION IN IT, EVEN IN THE CASE OF ERRORS IN OR OMISSIONS FROM THIS DOCUMENT OR ITS CONTENT.

Copyright and trademark: Nokia is a registered trademark of Nokia Corporation. Other product names mentioned in this document may be trademarks of their respective owners.

The registered trademark Linux® is used pursuant to a sublicense from the Linux Foundation, the exclusive licensee of Linus Torvalds, owner of the mark on a worldwide basis.

© 2023 Nokia.

# Table of contents

|          |  |           |
|----------|--|-----------|
| <b>1</b> | <b>About this guide.....</b>                                   | <b>7</b>  |
| 1.1      | Precautionary and information messages.....                    | 7         |
| 1.2      | Conventions.....   | 7         |
| <b>2</b> | <b>What's new.....</b>   | <b>9</b>  |
| <b>3</b> | <b>Overview.....</b>   | <b>10</b> |
| 3.1      | About EVPN.....  | 10        |
| 3.2      | About Layer 2 services.....                                    | 10        |
| 3.3      | About EVPN for VXLAN tunnels (Layer 2).....                    | 11        |
| 3.4      | About EVPN for VXLAN tunnels (Layer 3).....                    | 12        |
| <b>4</b> | <b>Layer 2 services infrastructure.....</b>                    | <b>14</b> |
| 4.1      | mac-vrf network-instance.....                                  | 14        |
| 4.1.1    | MAC selection.....   | 14        |
| 4.1.2    | MAC duplication detection and actions.....                     | 14        |
| 4.1.2.1  | MAC duplication detection.....                                 | 15        |
| 4.1.2.2  | MAC duplication actions.....                                   | 15        |
| 4.1.2.3  | MAC duplication process restarts.....                          | 15        |
| 4.1.2.4  | Configurable hold-down-time.....                               | 15        |
| 4.1.3    | Bridge table configuration.....                                | 16        |
| 4.2      | Interface extensions for Layer 2 services.....                 | 16        |
| 4.2.1    | Traffic classification and ingress/egress mapping actions..... | 16        |
| 4.2.2    | Routed and bridged subinterfaces.....                          | 17        |
| 4.3      | IRB interfaces.....  | 17        |
| 4.3.1    | Using ACLs with IRB interfaces and Layer 2 subinterfaces.....  | 17        |
| 4.4      | Layer 2 services configuration.....                            | 18        |
| 4.4.1    | mac-vrf network-instance configuration example.....            | 18        |
| 4.4.2    | Bridged subinterface configuration example.....                | 19        |
| 4.4.3    | IRB interface configuration example.....                       | 20        |
| 4.5      | Displaying bridge table information.....                       | 20        |
| 4.6      | Deleting entries from the bridge table.....                    | 23        |
| 4.7      | Storm control on bridged subinterfaces.....                    | 24        |
| 4.7.1    | Configuring storm control for an interface.....                | 24        |

|          |  |           |
|----------|--|-----------|
| 4.7.2    | Displaying storm control information.....                          | 25        |
| 4.8      | L2CP transparency.....   | 26        |
| 4.8.1    | Configuring L2CP transparency.....                                 | 27        |
| 4.8.2    | Displaying L2CP transparency information.....                      | 28        |
| 4.8.3    | Displaying L2CP transparency statistics.....                       | 30        |
| 4.8.3.1  | Clearing L2CP transparency statistics.....                         | 31        |
| 4.9      | Server aggregation configuration example.....                      | 31        |
| 4.9.1    | Configuration for server aggregation example.....                  | 32        |
| <b>5</b> | <b>VXLAN v4.....</b>   | <b>35</b> |
| 5.1      | VXLAN configuration.....   | 35        |
| 5.1.1    | Source and destination VTEP addresses.....                         | 38        |
| 5.1.2    | Ingress/egress VNI.....  | 38        |
| 5.1.3    | VLAN tagging for VXLAN.....  | 38        |
| 5.1.4    | Network-instance and interface MTU.....                            | 39        |
| 5.1.5    | Fragmentation for VXLAN traffic.....                               | 39        |
| 5.2      | VXLAN and ECMP.....  | 39        |
| 5.3      | VXLAN ACLs.....  | 40        |
| 5.4      | QoS for VXLAN tunnels.....   | 40        |
| 5.4.1    | Configuring a VXLAN classifier policy.....                         | 41        |
| 5.4.2    | Using a DSCP rewrite-rule for VXLAN traffic (7220 IXR-D4/D5).....  | 41        |
| 5.5      | VXLAN statistics collection.....                                   | 42        |
| 5.5.1    | Enabling VXLAN statistics collection.....                          | 42        |
| 5.5.2    | Displaying VXLAN statistics.....                                   | 43        |
| 5.5.3    | Clearing VXLAN statistics.....                                     | 44        |
| <b>6</b> | <b>EVPN for VXLAN tunnels (Layer 2).....</b>                       | <b>45</b> |
| 6.1      | EVPN-VXLAN L2 basic configuration.....                             | 45        |
| 6.1.1    | EVPN L2 basic routes.....  | 46        |
| 6.1.2    | Creation of VXLAN destinations based on received EVPN routes.....  | 47        |
| 6.1.3    | EVPN route selection.....  | 48        |
| 6.1.4    | BGP next hop configuration for EVPN routes.....                    | 48        |
| 6.2      | MAC duplication detection for Layer 2 loop prevention in EVPN..... | 49        |
| 6.3      | EVPN L2 multi-homing.....  | 49        |
| 6.3.1    | EVPN L2 multi-homing procedures.....                               | 50        |
| 6.3.2    | EVPN-VXLAN local bias for all-active multi-homing.....             | 51        |

|          |   |           |
|----------|---|-----------|
| 6.3.3    | Single-active multi-homing.....                                 | 51        |
| 6.3.3.1  | Preference-based DF election / non-revertive option.....        | 52        |
| 6.3.3.2  | Attachment Circuit influenced DF Election (AC-DF).....          | 52        |
| 6.3.3.3  | Standby LACP-based or power-off signaling.....                  | 53        |
| 6.3.4    | Reload-delay timer.....   | 53        |
| 6.3.5    | EVPN multi-homing configuration example.....                    | 54        |
| 6.4      | Layer 2 proxy-ARP/ND.....                                       | 58        |
| 6.4.1    | Dynamic learning for proxy-ARP/ND.....                          | 59        |
| 6.4.1.1  | Configuring dynamic learning for proxy-ARP/ND.....              | 60        |
| 6.4.2    | Static proxy-ARP entries.....                                   | 61        |
| 6.4.2.1  | Configuring static proxy-ARP entries.....                       | 61        |
| 6.4.3    | EVPN learning for proxy-ARP/ND.....                             | 61        |
| 6.4.3.1  | Configuring EVPN learning for proxy-ARP/ND.....                 | 62        |
| 6.4.4    | Configuring proxy-ARP/ND traffic flooding options.....          | 63        |
| 6.4.5    | Proxy-ARP/ND duplicate IP detection.....                        | 65        |
| 6.4.5.1  | Configuring proxy-ARP/ND duplicate IP detection.....            | 65        |
| 6.4.5.2  | Configuring processing for proxy-ARP/ND probe packets.....      | 66        |
| 6.4.5.3  | Displaying proxy-ARP/ND duplicate IP detection information..... | 67        |
| 6.4.6    | Proxy-ARP/ND table.....   | 68        |
| 6.4.6.1  | Configuring the proxy-ARP/ND table size.....                    | 68        |
| 6.4.6.2  | Clearing entries from the proxy-ARP/ND table.....               | 69        |
| 6.4.7    | EVPN ARP/ND extended community flags.....                       | 70        |
| 6.4.7.1  | Enabling advertisement of the RFC 9047 extended community.....  | 70        |
| 6.4.8    | Displaying proxy-ARP/ND information.....                        | 74        |
| 6.4.9    | Displaying proxy-ARP/ND statistics.....                         | 76        |
| <b>7</b> | <b>EVPN for VXLAN tunnels (Layer 3).....</b>                    | <b>78</b> |
| 7.1      | EVPN L3 basic configuration.....                                | 78        |
| 7.1.1    | Asymmetric IRB.....   | 78        |
| 7.1.2    | Symmetric IRB interface-less IP-VRF-to-IP-VRF model.....        | 82        |
| 7.2      | Anycast gateways.....   | 86        |
| 7.3      | EVPN L3 multi-homing and anycast gateways.....                  | 88        |
| 7.4      | EVPN L3 host route mobility.....                                | 89        |
| 7.5      | EVPN IFL interoperability with EVPN IFF.....                    | 92        |
| 7.6      | VIP discovery for redundant servers.....                        | 93        |
| 7.6.1    | Configuring VIP discovery.....                                  | 94        |

---

|           |   |            |
|-----------|---|------------|
| 7.6.2     | Displaying VIP discovery information.....                                   | 96         |
| 7.7       | Layer 3 proxy-ARP/ND.....   | 97         |
| 7.7.1     | Layer 3 proxy-ARP.....  | 98         |
| 7.7.1.1   | Configuring Layer 3 proxy-ARP.....  | 99         |
| 7.7.2     | Layer 3 proxy-ND.....   | 100        |
| 7.7.2.1   | Configuring Layer 3 proxy-ND.....   | 100        |
| 7.8       | EVPN IP aliasing for BGP peering to a VNF loopback address.....             | 100        |
| 7.8.1     | Configuring Layer 3 Ethernet Segments for IP aliasing.....                  | 105        |
| <b>8</b>  | <b>EVPN interoperability with VLAN-aware bundle services.....</b>           | <b>111</b> |
| 8.1       | Configuring the Ethernet Tag ID for VLAN aware bundle interoperability..... | 112        |
| 8.2       | Displaying the Ethernet Tag ID for VLAN aware bundle interoperability.....  | 112        |
| <b>9</b>  | <b>BGP and routing policy extensions for EVPN.....</b>                      | <b>114</b> |
| 9.1       | BGP extensions for EVPN.....  | 114        |
| 9.2       | Routing policy extensions for EVPN.....                                     | 114        |
| <b>10</b> | <b>EVPN configuration examples.....</b>                                     | <b>116</b> |
| 10.1      | All-active redundant connectivity example.....                              | 116        |
| 10.1.1    | Configuration for all-active connectivity example.....                      | 117        |
| 10.2      | Hierarchical active-active connectivity example.....                        | 120        |
| 10.2.1    | Configuration for hierarchical active-active connectivity example.....      | 122        |
| 10.3      | EVPN multi-homing as standalone solution for MC-LAG.....                    | 128        |
| 10.3.1    | Configuration for EVPN multi-homing as standalone MC-LAG.....               | 130        |

# 1 About this guide

This document describes basic configuration for EVPN Layer 2 (L2) and Layer 3 (L3) functionality on the Nokia Service Router Linux (SR Linux). It presents examples to configure and implement various protocols and services.

This document is intended for network technicians, administrators, operators, service providers, and others who need to understand how the router is configured.

**Note:**

This manual covers the current release and may also contain some content to be released in later maintenance loads. See the *SR Linux Release Notes* for information about features supported in each load.

Configuration and command outputs shown in this guide are examples only; actual displays may differ depending on supported functionality and user configuration.

## 1.1 Precautionary and information messages

The following are information symbols used in the documentation.



**DANGER:** Danger warns that the described activity or situation may result in serious personal injury or death. An electric shock hazard could exist. Before you begin work on this equipment, be aware of hazards involving electrical circuitry, be familiar with networking environments, and implement accident prevention procedures.



**WARNING:** Warning indicates that the described activity or situation may, or will, cause equipment damage, serious performance problems, or loss of data.



**Caution:** Caution indicates that the described activity or situation may reduce your component or system performance.



**Note:** Note provides additional operational information.



**Tip:** Tip provides suggestions for use or best practices.

## 1.2 Conventions

Nokia SR Linux documentation uses the following command conventions.

- **Bold** type indicates a command that the user must enter.
- Input and output examples are displayed in `Courier` text.
- An open right-angle bracket indicates a progression of menu choices or simple command sequence (often selected from a user interface). Example: **start** > **connect to**.

- A vertical bar (|) indicates a mutually exclusive argument.
- Square brackets ( [ ] ) indicate optional elements.
- Braces ( { } ) indicate a required choice. When braces are contained within square brackets, they indicate a required choice within an optional element.
- *Italic* type indicates a variable.

Generic IP addresses are used in examples. Replace these with the appropriate IP addresses used in the system.



---

## 2 What's new

| Topic  | Location   |
|--|--|
| Support for RFC 9047 ARP/ND extended community flags | <a href="#">EVPN ARP/ND extended community flags</a> |
| Configurable VXLAN statistics collection             | <a href="#">VXLAN statistics collection</a>          |

## 3 Overview

This chapter contains the following topics:

- [About EVPN](#)
- [About Layer 2 services](#)
- [About EVPN for VXLAN tunnels \(Layer 2\)](#)
- [About EVPN for VXLAN tunnels \(Layer 3\)](#)

### 3.1 About EVPN

Ethernet Virtual Private Network (EVPN) is a technology that allows Layer 2 traffic to be bridged across an IP network. EVPN instances configured on Provider Edge (PE) routers function as virtual bridges, transporting traffic between Customer Edge (CE) devices at separate locations.

At a basic level, the PE routers exchange information about reachability, encapsulate Layer 2 traffic from CE devices, and forward it across the Layer 3 network. EVPN is the de-facto standard technology in multi-tenant Data Centers (DCs).

VXLAN is a means for segmenting a LAN at a scale required by service providers. With the prevalent use of VXLAN in multi-tenant DCs, the EVPN control plane was adapted for VXLAN tunnels in RFC 8365.

The SR Linux EVPN-VXLAN solution supports using Layer 2 Broadcast Domains (BDs) in multi-tenant data centers using EVPN for the control plane and VXLAN as the data plane.

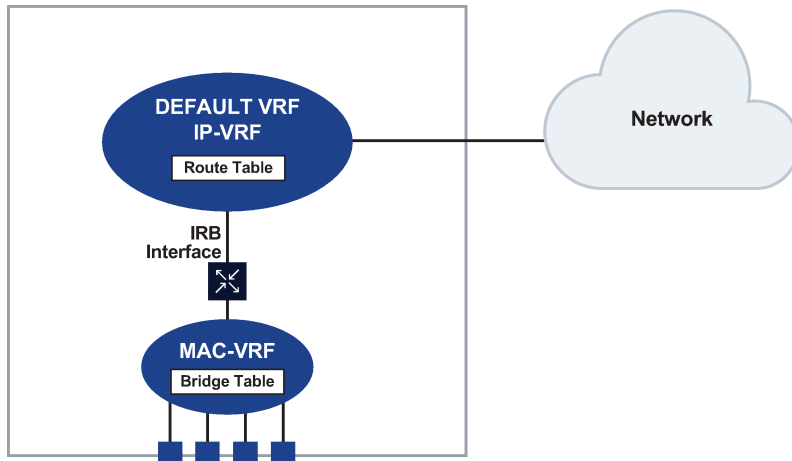
### 3.2 About Layer 2 services

Layer 2 services refers to the infrastructure implemented on SR Linux to support tunneling of Layer 2 traffic across an IP network, overlaying the Layer 2 network on top of the IP network.

To do this, SR Linux uses a network-instance of type `mac-vrf`. The `mac-vrf` network-instance is associated with a network-instance of type `default` or `ip-vrf` via an Integrated Routing and Bridging (IRB) interface.

[Figure 1: MAC-VRF, IRB interface, and IP-VRF](#) shows the relationship between an IRB interface and `mac-vrf`, and `ip-vrf` network-instance types.

Figure 1: MAC-VRF, IRB interface, and IP-VRF

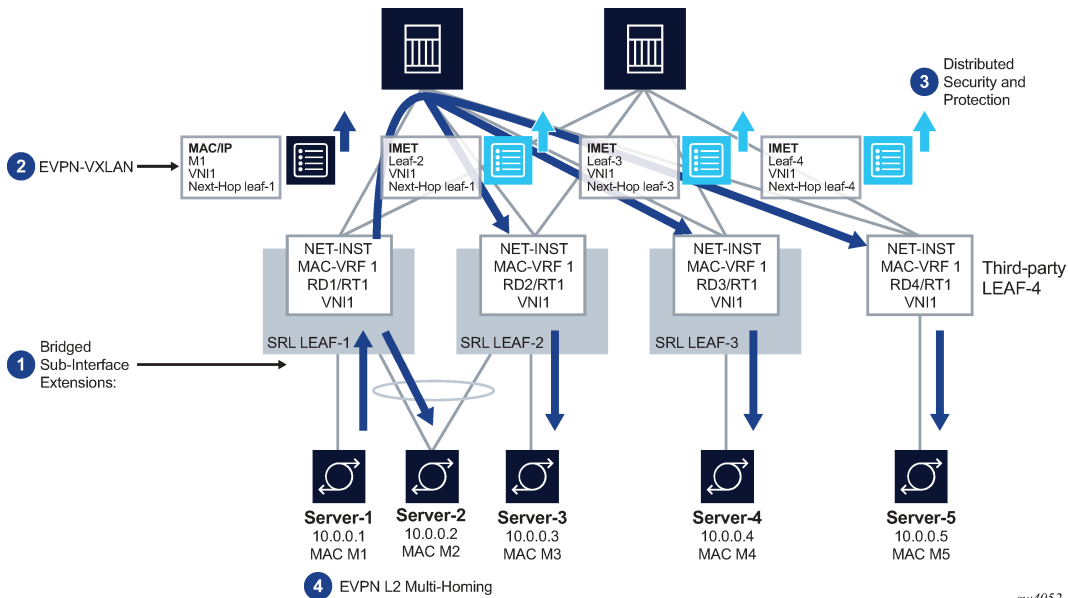


See [Layer 2 services infrastructure](#) for information about Layer 2 services on SR Linux, including configuring mac-vrfs, ip-vrfs, and IRB interfaces.

### 3.3 About EVPN for VXLAN tunnels (Layer 2)

The primary usage for EVPN for VXLAN tunnels (Layer 2) is the extension of a BD in overlay multi-tenant DCs. This kind of topology is illustrated in [Figure 2: BD extension in overlay DCs](#).

Figure 2: BD extension in overlay DCs



SR Linux features that support this topology fall into the following categories:

1. Bridged subinterface extensions, including:

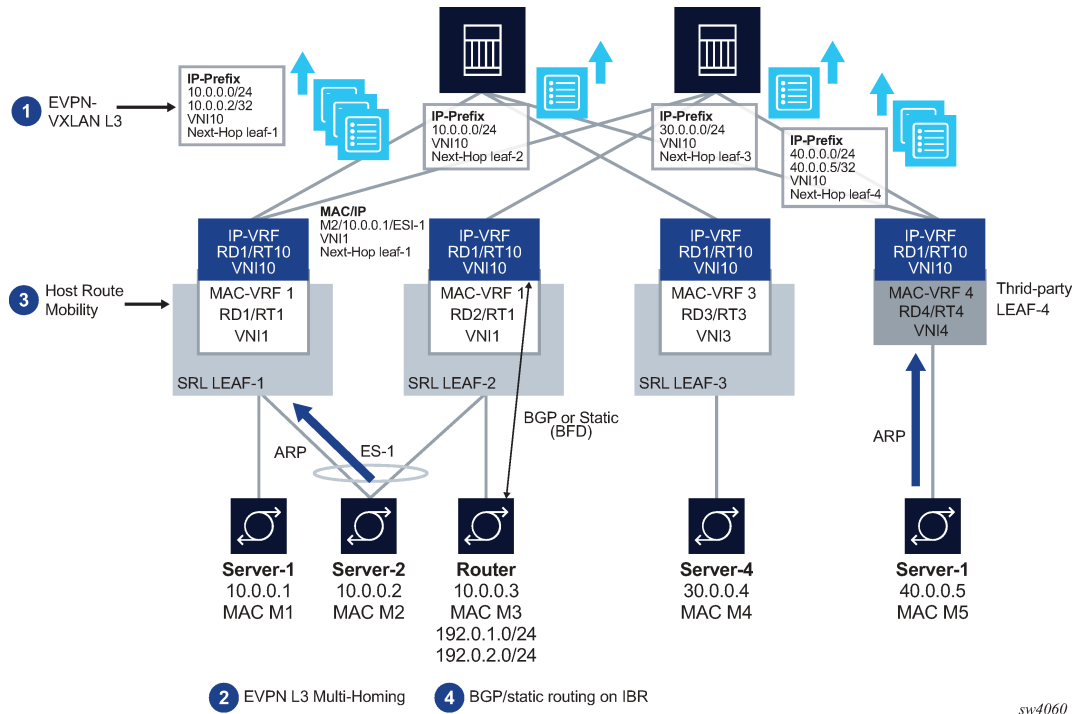
- Default subinterface, which captures untagged and non-explicitly configured VLAN-tagged frames on tagged subinterfaces.
  - Transparency of inner qtags not being used for service classification.
2. EVPN-VXLAN control and data plane extensions as described in RFC 8365:
    - EVPN routes type MAC/IP and IMET
    - VXLANv4 model for MAC-VRFs
  3. Distributed security and protection, including:
    - An extension to the MAC duplication mechanism that can be applied to MACs received from EVPN
    - Protection of static MACs and learned-static MACs
  4. EVPN L2 multi-homing, including:
    - The ES model definition for all-active and single-active multi-homing
    - Interface-level reload-delay timers to avoid service impact when links recover
    - Load-balancing and redundancy using aliasing

[EVPN for VXLAN tunnels \(Layer 2\)](#) describes the components of EVPN-VXLAN Layer 2 on SR Linux.

### 3.4 About EVPN for VXLAN tunnels (Layer 3)

The primary usage for EVPN for VXLAN tunnels (Layer 3) is inter-subnet-forwarding for unicast traffic within the same tenant infrastructure. This kind of topology is illustrated in [Figure 3: Inter-subnet forwarding with EVPN-VXLAN L3](#).

Figure 3: Inter-subnet forwarding with EVPN-VXLAN L3



sw4060

SR Linux features that support this topology fall into the following categories:

1. EVPN-VXLAN L3 control plane (RT5) and data plane as described in draft-ietf-bess-evpn-prefix-advertisement.
2. EVPN L3 multi-homing on MAC-VRFs with IRB interfaces that use anycast gateway IP and MAC addresses in all leaves attached to the same BD.
3. Host route mobility procedures to allow fast mobility of hosts between leaf nodes attached to the same BD.

Other supported features include:

- Interface-less (IFL) model interoperability with unnumbered interface-ful (IFF) model
- ECMP over EVPN
- Support for interface-level OAM (ping) in anycast deployments

[EVPN for VXLAN tunnels \(Layer 3\)](#) describes the components of EVPN-VXLAN Layer 3 on SR Linux.

## 4 Layer 2 services infrastructure

This chapter describes the components of Layer 2 services on SR Linux. It contains the following topics:

- [mac-vrf network-instance](#)
- [Interface extensions for Layer 2 services](#)
- [IRB interfaces](#)
- [Layer 2 services configuration](#)
- [Displaying bridge table information](#)
- [Deleting entries from the bridge table](#)
- [Storm control on bridged subinterfaces](#)
- [L2CP transparency](#)
- [Server aggregation configuration example](#)

### 4.1 mac-vrf network-instance

The network-instance type mac-vrf functions as a broadcast domain. Each mac-vrf network-instance builds a bridge table composed of MAC addresses that can be learned via the data path on network-instance interfaces or via static configuration. You can configure the size of the bridge table for each mac-vrf network-instance, as well as the aging for dynamically learned MAC addresses and other parameters related to the bridge table.

The mac-vrf network-instance type features a MAC duplication mechanism that monitors MAC address moves across network-instance interfaces and across interfaces.

#### 4.1.1 MAC selection

Each mac-vrf network-instance builds a bridge table to forward Layer 2 frames based on a MAC address lookup. The SR Linux selects the MAC addresses to be sent for installation to the line card (XDP), based on the following priority:

1. Local application MACs (for example, IRB interface MACs)
2. Local static MACs
3. EVPN static MACs
4. Local duplicate MACs
5. Learned / EVPN-learned MACs

## 4.1.2 MAC duplication detection and actions

MAC duplication is the mechanism used by SR Linux for loop prevention. MAC duplication monitors MAC addresses that move between subinterfaces. It consists of detection, actions, and process restart.

### 4.1.2.1 MAC duplication detection

Detection of duplicate MAC addresses is necessary when extending broadcast domains to multiple leaf nodes. SR Linux supports a MAC duplication mechanism that monitors MAC address moves across network-instance interfaces.

A MAC address is considered a duplicate when its number of detected moves is greater than a configured threshold within a configured time frame where the moves are observed. Upon exceeding the threshold, the system holds on to the prior local destination of the MAC and executes an action.

### 4.1.2.2 MAC duplication actions

The action taken upon detecting one or more MAC addresses as duplicate on a subinterface can be configured for the mac-vrf network-instance or for the subinterface. The following are the configurable actions:

- oper-down – When one or more duplicate MAC addresses are detected on the subinterface, the subinterface is brought operationally down.
- blackhole – Upon detecting a duplicate MAC on the subinterface, the MAC is blackholed.
- stop learning – Upon detecting a duplicate MAC on the subinterface, the MAC address is not relearned anymore on this or any subinterface. This is the default action for a mac-vrf network-instance.
- use-network-instance-action – (Available for subinterfaces only) Use the action specified for the mac-vrf network-instance. This is the default action for a subinterface.

### 4.1.2.3 MAC duplication process restarts

When at least one duplicate MAC address is detected, the duplicate MAC addresses are visible in the state datastore and can be displayed with the **info from state mac-duplication duplicate-entries** CLI command. See [Displaying bridge table information](#).

### 4.1.2.4 Configurable hold-down-time

The **info from state mac-duplication duplicate-entries** command also displays the hold-down-time for each duplicate MAC address. After the hold-down-time expires for all of the duplicate MAC addresses for the subinterface, the oper-down or stop-learning action is cleared, and the subinterface is brought operationally up or starts learning again.

The hold-down-time is configurable from between 2 and 60 minutes. You can optionally specify **indefinite** for the hold-down-time, which prevents the oper-down or stop-learning action from being cleared after a duplicate MAC address is detected; in this case, you can manually clear the oper-down or stop-learning action by changing the mac-duplication configuration or using the **tools network-instance bridge-table mac-duplication** command.

### 4.1.3 Bridge table configuration

The bridge table, its MAC address limit, and maximum number of entries can be configured on a per mac-vrf or per-subinterface basis.

When the size of the bridge table exceeds its maximum number of entries, the MAC addresses are removed in reverse order of the priority listed in [MAC selection](#).

You can also configure aging for dynamically learned MAC addresses and other parameters related to the bridge table.

## 4.2 Interface extensions for Layer 2 services

To accommodate the Layer 2 services infrastructure, SR Linux interfaces support the following features:

- Traffic classification and ingress/egress mapping actions
- Subinterfaces of type routed and bridged

### 4.2.1 Traffic classification and ingress/egress mapping actions

On mac-vrf network-instances, traffic can be classified based on VLAN tagging. Interfaces where VLAN tagging is set to **false** or **true** can be used with mac-vrf network-instances.

A default subinterface can be specified, which captures untagged and non-explicitly configured VLAN-tagged frames in tagged subinterfaces.

Within a tagged interface, a default subinterface (**vlan-id** value is set to **any**) and an untagged subinterface can be configured. This kind of configuration behaves as follows:

- The **vlan-id any** subinterface captures untagged and non-explicitly configured VLAN-tagged frames.
- The untagged subinterface captures untagged and packets with tag0 as outermost tag.

When **vlan-id any** and untagged subinterfaces are configured on the same tagged interface, packets for unconfigured VLANs go to the **vlan-id any** subinterface, and tag0/untagged packets go to the untagged subinterface.

Classification is based on the following:

- All traffic for interfaces where VLAN tagging is set to false, regardless of existing VLAN tags.
- Single outermost tag for tagged interfaces where VLAN tagging is set to true. Only Ethertype 0x8100 is considered for tags; other Ethernets are treated as payload.

The following ingress and egress VLAN mapping actions are supported:

- At ingress, pop the single outermost tag (tagged interfaces), or perform no user-visible action (untagged interfaces).
- At egress, push a specified tag at the top of the stack (tagged interfaces) or perform no user-visible action (untagged interfaces).
- If the **vlan-id** value is set to **any** or the subinterface uses an **untagged** configuration, no tag is popped at ingress or pushed at egress.



There is one exception: on a subinterface that uses an **untagged** configuration, if a received packet has tag0 as its outermost tag, the subinterface pops tag0.

Dot1p is not supported.

## 4.2.2 Routed and bridged subinterfaces

SR Linux subinterfaces can be specified as type routed or bridged:

- Routed subinterfaces can be assigned to a network-instance of type mgmt, default, or ip-vrf.
- Bridged subinterfaces can be assigned to a network-instance of type mac-vrf.

Routed subinterfaces allow for configuration of IPv4 and IPv6 settings, and bridged subinterfaces allow for configuration of bridge table and VLAN ingress/egress mapping.

Bridged subinterfaces do not have MTU checks other than the interface-level MTU (port MTU) or the value set with the **l2-mtu** command. The IP MTU is only configurable on routed subinterfaces.

## 4.3 IRB interfaces

Integrated routing and bridging (IRB) interfaces enable inter-subnet forwarding. Network-instances of type mac-vrf are associated with a network-instance of type ip-vrf via an IRB interface. See [Figure 1: MAC-VRF, IRB interface, and IP-VRF](#) for an illustration of the relationship between mac-vrf and ip-vrf network-instances.

On SR Linux, IRB interfaces are named `irbN`, where *N* is 0 to 255. Up to 4095 subinterfaces can be defined under an IRB interface. An ip-vrf network-instance can have multiple IRB subinterfaces, while a mac-vrf network-instance can reference only one IRB subinterface.

IRB subinterfaces are type routed. They cannot be configured as type bridged.

IRB subinterfaces operate in the same way as other routed subinterfaces, including support for the following:

- IPv4 and IPv6 ACLs
- DSCP based QoS (input and output classifiers and rewrite rules)
- Static routes and BGP (IPv4 and IPv6 families)
- IP MTU (with the same range of valid values as Ethernet subinterfaces)
- All settings in the subinterface/ipv4 and subinterface/ipv6 containers. For IPv6, the IRB subinterface also gets an IPv6 link local address
- BFD
- Subinterface statistics

IRB interfaces do not support sFlow, VLAN tagging, or interface statistics.

### 4.3.1 Using ACLs with IRB interfaces and Layer 2 subinterfaces

Note the following when using Access Control Lists with an IRB interface or Layer 2 subinterface:

- Input ACLs associated with Layer 2 subinterfaces match all the traffic entering the subinterface, including Layer 2 switched traffic or Layer 3 traffic forwarded to the IRB.
- Input ACLs associated with IRB subinterfaces only match Layer 3 traffic; that is, traffic with a MAC destination address matching the IRB MAC address.
- The same ACL can be attached to a Layer 2 subinterface and an IRB subinterface in the same service. In this case, there are two ACL instances, one for the IRB with higher priority and another one for the bridged traffic. Routed traffic matches the higher priority instance entries of the ACL.
- The same ACL can be attached to IRB subinterfaces and Layer 2 subinterfaces if both belong to different services.
- On 7220 IXR-D1, D2, and D3 systems, egress ACLs, unlike ingress ACLs, cannot match both routed and switched traffic when a Layer 2 IP ACL is attached.
- Received traffic on a mac-vrf is automatically discarded if the MAC source address matches the IRB MAC address, unless the MAC is an anycast gateway MAC.
- Packet capture filters show the Layer 2 subinterface for switched traffic and the IRB interface for routed traffic.

## 4.4 Layer 2 services configuration

The examples in this section show how to configure a mac-vrf network-instance, bridged interface, and IRB interface.

### 4.4.1 mac-vrf network-instance configuration example

The following example configures a mac-vrf network-instance and settings for the bridge table. The bridge table is set to a maximum of 500 entries. Learned MAC addresses are aged out of the bridge table after 600 seconds.

MAC duplication detection is configured so that a MAC address is considered a duplicate when its number of detected moves across network-instance interfaces is greater than 3 over a 5-minute interval. In this example, the MAC address is blackholed. After the hold-down-time of 3 minutes, the MAC address is flushed from the bridge table, and the monitoring process for the MAC address is restarted.

The example includes configuration for a static MAC address in the bridge table.

The mac-vrf network-instance is associated with a bridged interface and an IRB interface.

```
--{ candidate shared default }--[ ]--
network-instance mac-vrf-1 {
  description "Sample mac-vrf network instance"
  type mac-vrf
  admin-state enable
  interface ethernet-1/1.1 {
  }
  interface irb1.1 {
  }
  bridge-table {
    mac-limit {
      mac-limit 500
    }
    mac-learning {
      admin-state enable
    }
  }
}
```



```

type bridged
vlan {
  encap {
    untagged
  }
}
subinterface 2 {
  type bridged
  vlan {
    encap {
      single-tagged {
        vlan-id any
      }
    }
  }
}

```

### 4.4.3 IRB interface configuration example

The following example configures an IRB interface. The IRB interface is operationally up when its admin-state is enabled, and its IRB subinterfaces are operationally up when associated with mac-vrf and ip-vrf network-instances. At least one IPv4 or IPv6 address must be configured for the IRB subinterface to be operationally up.

```

--{ candidate shared default }--[ ]--
interface irb1 {
  description IRB_Interface
  admin-state enable
  subinterface 1 {
    admin-state enable
    ipv4 {
      address 172.16.1.1/24 {
      }
    }
  }
}
}

```

## 4.5 Displaying bridge table information

### Procedure

You can display information from the bridge table of a mac-vrf network-instance using **show** commands and the **info from state** command.

### Example: Display summary information for mac-vrf network instances

To display a summary of the bridge table contents for the mac-vrf network-instances configured on the system:

```

# show network-instance * bridge-table mac-table summary
-----
Network-Instance Bridge table summary
-----
Name                               : mac-vrf-1
Irb mac                             : 1 Total 1 Active
Static macs                         : 19 Total 19 Active
Duplicate macs                      : 10 Total 10 Active
Learnt macs                         : 15 Total 14 Active

```

```

Total macs                : 45 Total 44 Active
Maximum-Entries           : 200
Warning Threshold Percentage : 95% (190)
Clear Warning              : 90% (180)
-----
Name                       : mac-vrf-2
Irb mac                    : 1 Total 1 Active
Static macs                : 1 Total 1 Active
Duplicate macs             : 10 Total 10 Active
Learnt macs                : 15 Total 14 Active
Total macs                 : 27 Total 26 Active
Maximum-Entries           : 200
Warning Threshold Percentage : 95% (190)
Clear Warning              : 90% (180)
-----
-----
Total Irb macs            : 2 Total 2 Active
Total Static macs         : 29 Total 29 Active
Total Duplicate macs      : 20 Total 20 Active
Total Learnt macs         : 30 Total 29 Active
Total Macs                : 81 Total 80 Active
-----

```

### Example: Display bridge table for a mac-vrf network-instance

To list the contents of the bridge table for a mac-vrf network-instance:

```

# show network-instance mac-vrf-1 bridge-table mac-table all
-----
Mac-table of network instance mac-vrf-1
-----
+-----+-----+-----+-----+-----+-----+-----+
| Mac           | Destination | Dest-Index | Type   | Active | Aging | Last-update |
+-----+-----+-----+-----+-----+-----+-----+
| 00:00:00:00:00:01 | ethernet-1/1.1 | 65         | Learnt | True  | 256  | 2020-2-3T3:37:26 |
| 00:00:00:00:00:02 | irbl.1       | 0          | Irb    | True  | N/A  | 2019-2-1T3:37:26 |
| 00:00:00:00:00:03 | blackhole    | 0          | Duplicate | True  | N/A  | 2019-2-1T3:37:26 |
| 00:00:00:00:00:04 | ethernet-1/1.2 | 66         | Learnt | True  | 256  | 2019-2-1T3:37:26 |
+-----+-----+-----+-----+-----+-----+-----+
Total Irb macs      : 2 Total 2 Active
Total Static macs   : 0 Total 0 Active
Total Duplicate macs : 1 Total 1 Active
Total Learnt macs   : 3 Total 3 Active
Total Macs          : 6 Total 6 Active
-----

```

### Example: Display information about a MAC address

To display information about a specific MAC address in the bridge table:

```

# show network-instance * bridge-table mac-table mac 00:00:00:00:00:01
-----
Mac-table of network instance mac-vrf-1
-----
Mac                : 00:00:00:00:00:01
Destination         : ethernet-1/1.1
Destination Index   : 65
Type                : Learnt
Programming status  : Success | Failed | Pending
Aging               : 250 seconds
Last update         : 2019-12-13T23:37:26.000
Duplicate Detect Time : N/A
Hold-down-time-remaining: N/A

```

### Example: Display duplicate MAC addresses

To display the duplicate MAC address entries in the bridge table:

```
# show network-instance * bridge-table mac-duplication duplicate-entries
-----
Mac-duplication in network instance mac-vrf-1
-----
Admin-state           : Enabled
Monitoring window    : 3 minutes
Number of moves allowed : 5
Hold-down-time       : 10 seconds
Action                : Stop Learning
-----
Duplicate entries in network instance mac-vrf-1
-----
+-----+-----+-----+-----+-----+
| Duplicate mac | Destination | Dest-Index | Detect-Time | Hold down |
|               |             |            |             | time remaining |
+=====+=====+=====+=====+=====+
| 00:00:00:00:00:01 | ethernet-1/1.1 | 65 | 2019-12-13T23:37:26.000 | 6 |
| 00:00:00:00:00:02 | ethernet-1/1.1 | 65 | 2019-12-13T23:37:26.000 | 6 |
| 00:00:00:00:00:03 | ethernet-1/1.1 | 65 | 2019-12-13T23:37:26.000 | 6 |
+-----+-----+-----+-----+-----+
Total Duplicate macs      : 3 Total 3 Active
-----
```

### Example: Use info from state command to display MAC address entries

You can display the duplicate/learned/static MAC address entries in the bridge table using **info from state** commands. For example, the following command displays the duplicate MAC entries:

```
# info from state network-instance * bridge-table mac-duplication duplicate-entries mac *
| as
| table
+-----+-----+-----+-----+-----+
----+
| Network-instance | Duplicate-mac | Dest-idx | Detect-time | Hold-down-
| time |         |         |             | time
|       |         |         |             | remaining
+=====+=====+=====+=====+=====+
====+
| red            | 00:00:00:00:00:01 | 1 | 2019-12-13T23:37:26.000 |
| 10 |
| red            | 00:00:00:00:00:02 | 2 | 2019-12-13T23:37:26.000 |
| 20 |
| red            | 00:00:00:00:00:03 | 3 | 2019-12-13T23:37:26.000 |
| 90 |
| blue           | 00:00:00:00:00:04 | 4 | 2019-12-13T23:37:26.000 |
| 90 |
| blue           | 00:00:00:00:00:05 | 0 | 2019-12-13T23:37:26.000 |
| 90 |
+-----+-----+-----+-----+-----+
----+
```

### Example: Display learned MAC addresses

The following command displays the learned MAC entries in the table:

```
# info from state network-instance * bridge-table mac-learning learnt-entries mac * | as
table
+-----+-----+-----+-----+-----+
| Network-instance | Learnt-mac      | Dest          | Aging  | Last-update      |
+-----+-----+-----+-----+-----+
| red              | 00:00:00:00:00:01| ethernet-1/1.1| 300    | 2019-12-13T23:37:26.000|
| red              | 00:00:00:00:00:02| ethernet-1/1.1| 212    | 2019-12-13T23:37:26.000|
| red              | 00:00:00:00:00:03| ethernet-1/1.2| 10     | 2019-12-13T23:37:26.000|
| blue             | 00:00:00:00:00:04| ethernet-1/1.3| 10     | 2019-12-13T23:37:26.000|
| blue             | 00:00:00:00:00:05| ethernet-1/1.4| 20     | 2019-12-13T23:37:26.000|
+-----+-----+-----+-----+-----+
```

### Example: Display static MAC entries

The following command displays the static MAC entries in the table:

```
# info from state network-instance * bridge-table static-mac mac * | as table
+-----+-----+-----+
| Network-instance | Static-mac      | Dest          |
+-----+-----+-----+
| red              | 00:00:00:00:00:01| ethernet-1/1.1|
| red              | 00:00:00:00:00:02| irb1.1        |
| red              | 00:00:00:00:00:03| blackhole     |
| blue             | 00:00:00:00:00:04| ethernet-1/1.3|
| blue             | 00:00:00:00:00:05| ethernet-1/1.4|
+-----+-----+-----+
```

## 4.6 Deleting entries from the bridge table

### Procedure

The SR Linux features commands to delete duplicate or learned MAC entries from the bridge table. For a mac-vrf or subinterface, you can delete all MAC entries, MAC entries with a blackhole destination, or a specific MAC entry.

### Example: Clear blackhole MAC entries

The following example clears MAC entries in the bridge table for a mac-vrf network-instance that have a blackhole destination:

```
--{ candidate shared default }--[ ]--
# tools network-instance mac-vrf-1 bridge-table mac-duplication delete-blackhole-macs
```

### Example: Delete a learned MAC address

The following example deletes a specified learned MAC address from the bridge table for a mac-vrf network-instance:

```
--{ candidate shared default }--[ ]--
# tools network-instance mac-vrf-1 bridge-table mac-learning delete-mac 00:00:00:00:00:04
```

### Example: Clear duplicate MAC entries

The following example clears all duplicate MAC entries in the bridge table for a subinterface:

```
--{ candidate shared default }--[ ]--
# tools interface ethernet-1/1.1 bridge-table mac-duplication delete-all-macs
```

## 4.7 Storm control on bridged subinterfaces

Storm control allows you to rate-limit BUM traffic on bridged subinterfaces. This feature measures the rate for the individual types of BUM traffic (broadcast, unknown-unicast, and multicast), and performs rate-limiting based on thresholds configured for each traffic type.

Storm control is configured as an interface-level policer. You set thresholds for each type of BUM traffic. You can configure the threshold as a percentage of interface bandwidth or as a rate in kbps.

If kbps is specified as the unit type, the rate can be configured as a multiple of 64; for example, 64, 128, 192, and so on. If the rate is configured as any value in the 1-127 kbps range, the effective rate is 64 kbps, which is shown as the operational-rate in **info from state** output. Similarly, if the rate is configured as any value in the 128-191 kbps range, the operational rate is 128 kbps, and so on.

The default threshold is 100% of the interface bandwidth for the three traffic types. Specifying a threshold of 0 for a traffic type blocks all traffic of that type on the interface. When a storm control policer is set to 0, the first packet of a flow affected by the policer is forwarded, but subsequent packets are dropped.

Storm control policers can be configured for Ethernet interfaces only. The Ethernet interfaces can be members of a LAG, but storm control must be configured on each interface individually; aggregate rate-limiting for the LAG is not supported.

Statistics are not collected for the storm-control policers. However, it is possible to check discarded packets at the subinterface level. For example, if storm-control for broadcast traffic is configured on interface ethernet-1/1 at a rate of 50%, and broadcast traffic on the ethernet-1/1.1 subinterface exceeds 50% of the port capacity, statistics for the ethernet-1/1.1 subinterface statistics show ingress drops.

Storm control is supported on 7220 IXR-D2/D3 platforms.

### 4.7.1 Configuring storm control for an interface

#### Procedure

To configure storm control, you set thresholds for each type of BUM traffic, either as a percentage of interface bandwidth or as a rate in kbps.

#### Example:

The following example configures storm control for an interface. The unit type is specified as kbps. Individual thresholds are set for each traffic type.

```
--{ * candidate shared default }--[ ]--
# info interface ethernet-1/1
  interface ethernet-1/1 {
    admin-state enable
    ethernet {
      storm-control {
        units kbps
```



```

        broadcast-rate 128
        multicast-rate 192
        unknown-unicast-rate 225
    }
}

```

## 4.7.2 Displaying storm control information

### Procedure

You can display the configured rates for an interface using **info from state** and **show interface** commands.

### Example: Display configured rates using info from state command

```

--{ * candidate shared default }--[ ]--
# info from state interface ethernet-1/1 ethernet storm-control
interface ethernet-1/1 {
    ethernet {
        storm-control {
            units kbps
            broadcast-rate 128
            multicast-rate 172
            unknown-unicast-rate 225
            operational broadcast-rate 128
            operational multicast-rate 192
            operational unknown-unicast-rate 192
        }
    }
}

```

### Example: Display configured rates using show interface command

```

--{ * candidate shared default }--[ ]--
# show interface ethernet-1/1 detail
=====
Interface: ethernet-1/1
-----
Description      : dut2_noxia_1
Oper state       : up
Down reason      : N/A
Last change      : 9h21m16s ago, 1 flaps since last clear
Speed            : 100G
Flow control     : Rx is disabled, Tx is disabled
Loopback mode    : false
MTU              : 9232
VLAN tagging     : true
Queues           : 8 output queues supported, 0 used since the last clear
MAC address      : 00:01:02:FF:00:0C
Last stats clear: never
-----
Storm control for ethernet-1/1
-----
Broadcast Rate (kbps)           : 128
Multicast Rate (kbps)           : 172
Unknown Unicast (kbps)         : 225
Operational Broadcast Rate (kbps) : 128
Operational Multicast Rate (kbps) : 192

```

Operational Unknown Unicast Rate (kbps) : 192

## 4.8 L2CP transparency

Layer 2 Control Protocol (L2CP) transparency refers to the ability to control whether L2CP frames are tunneled across a carrier Ethernet network. Tunneling in this context means injecting the L2CP frames into the regular Layer 2 datapath, as opposed to trapping them to the CPU or discarding them.

By default, SR Linux handles L2CP frames according to the default transparency action listed in [Table 1: Default L2CP PDU actions for tagged and untagged frames](#).

Table 1: Default L2CP PDU actions for tagged and untagged frames

| Layer 2 control protocol                           | L2CP destination address   | Protocol identifier                                 | Default transparency action                  |
|--|--|---|--|
| LLDP   | 01-80-c2-00-00-0e<br>Only the above MAC address is identified as LLDP; other LLDP destination MAC addresses are not. | Ethertype: 0x88cc                                   | Trap to CPU only if untagged, drop otherwise |
| LACP   | 01-80-c2-00-00-02  | Ethertype: 0x8809<br>Subtype: 0x01                  | Trap to CPU only if untagged, drop otherwise |
| xSTP (STP/RSTP/MSTP)                               | 01-80-c2-00-00-00  | Ethertype: any                                      | Drop   |
| PAUSE  | 01-80-c2-00-00-01  | Ethertype: 0x8808                                   | Drop   |
| Dot1X  | 01-80-c2-00-00-03  | Ethertype: 0x888e                                   | Drop   |
| PTP  | 01-80-c2-00-00-0e  | Ethertype: 0x88f7                                   | Drop   |
| E-LMI  | 01-80-c2-00-00-07  | Ethertype: 0x88ee                                   | Drop   |
| GARP/MRP   | 01-80-c2-00-00-2x  | Ethertype: any                                      | Drop   |
| LACP Marker-Protocol/<br>Link OAM 802.3ah/<br>ESMC | 01-80-c2-00-00-02  | Ethertype: 0x8809<br>All other unsupported subtypes | Drop   |

The L2CP transparency feature allows you to configure SR Linux to tunnel the following types of L2CP frames instead of performing the default transparency action, or you can configure SR Linux to tunnel all L2CP frames.

- LLDP
- LACP
- xSTP (STP/RSTP/MSTP)

- Dot1X
- PTP

When tunneling is enabled, the following takes place:

- Tagged and untagged L2CP frames are classified into a bridged subinterface based on their Dot1q tag VLAN-ID. If they are classified for forwarding into a MAC-VRF, they are flooded based on their MAC DA. If no bridged subinterface matches the incoming untagged or VLAN-ID tagged frames, they are discarded.
- L2CP transparency is supported on Ethernet interfaces only, with the processing/tunneling possible on bridged subinterfaces of a MAC-VRF. The system does not apply L2CP transparency rules to VXLAN tunnel interfaces, however it does apply them to Layer 3 subinterfaces in the default network-instance.
- When an L2CP PDU is tunneled, the source MAC is learned. When the PDU is dropped the source MAC is not learned.

To tunnel L2CP frames end-to-end between two EVPN-VXLAN leaf nodes, you must enable L2CP transparency on the ingress Layer 3 subinterfaces of the default network-instance on the egress leaf node. Otherwise, even if L2CP transparency for a protocol is configured on the bridged subinterfaces of the ingress leaf, the system discards the L2CP frames at the ingress VXLAN tunnel of the egress leaf.

L2CP transparency is not supported on interfaces configured in breakout mode. For LAG interfaces, you must configure L2CP transparency on all member interfaces.

## 4.8.1 Configuring L2CP transparency

### Procedure

You can enable tunneling for all L2CP protocol types listed in [Table 1: Default L2CP PDU actions for tagged and untagged frames](#), or you can enable tunneling individually for the following L2CP protocol types: LLDP, LACP xSTP (STP/RSTP/MSTP), Dot1X, and PTP.

### Example: Enable tunneling for all L2CP protocols

```
--{ candidate shared default }--[ ]--
# info interface ethernet-1/1 ethernet l2cp-transparency
  interface ethernet-1/1 {
    ethernet {
      l2cp-transparency {
        tunnel-all-l2cp true
      }
    }
  }
}
```

When **tunnel-all-l2cp true** is configured, all L2CP frames coming into the interface, identified by MAC DA = 01:80:c2:00:00:0x or MAC DA = 01:80:c2:00:00:2x, where x is any hex value, are tunneled.

The **tunnel-all-l2cp** command is not supported on interfaces where LLDP or LACP are enabled.

### Example: Disable tunneling for all L2CP protocols

```
--{ candidate shared default }--[ ]--
# info interface ethernet-1/1 ethernet l2cp-transparency
  interface ethernet-1/1 {
    ethernet {
      l2cp-transparency {

```

```

    tunnel-all-l2cp false
  }
}

```

When **tunnel-all-l2cp false** is configured, all L2CP frames not specifically enabled for tunneling are discarded.

### Example: Enable tunneling for individual protocol types

You can enable tunneling individually for LLDP, LACP xSTP (STP/RSTP/MSTP), Dot1X, and PTP L2CP protocol types. These L2CP frames are identified by the destination MAC address, Ethertype and sometimes slow-protocol subtype; see [Table 1: Default L2CP PDU actions for tagged and untagged frames](#).

The following example enables tunneling for LLDP frames:

```

# info interface ethernet-1/1 ethernet l2cp-transparency
  interface ethernet-1/1 {
    ethernet {
      l2cp-transparency {
        lldp {
          tunnel true
        }
      }
    }
  }
}

```

By default, all the **tunnel** commands are set to **false**, so all L2CP protocols are discarded, except for LLDP and LACP, for which a copy is trapped to the CPU (if untagged) and another copy is discarded.

Note that only LLDP frames with MAC 01-80-c2-00-00-0e are tunneled. LLDP frames with MAC DA = 01-80-c2-00-00-00 / 01-80-c2-00-00-03 are not tunneled or trapped to the CPU.

Tunneling for LLDP frames is not supported on an interface where LLDP is enabled.

Tunneling for LACP frames is not supported on an interface where `aggregate-id` is configured or the interface is member of a LAG where LACP is enabled.

## 4.8.2 Displaying L2CP transparency information

### Procedure

Each of the L2CP protocols that can be tunneled is associated with an L2CP transparency rule (`oper-rule`) that indicates the state of the actual rule installed in the datapath. This can be any of the following:

- `trap-to-cpu-untagged`  
This rule is used for LLDP and LACP frames if they are not configured to be tunneled. Untagged frames are trapped to the CPU; that is, a copy is trapped and sent to the CPM, while another copy is discarded. Tagged frames are discarded and not trapped.
- `drop-tagged-and-untagged`  
This rule is used for xSTP, Dot1x and PTP frames if they are not configured for tunneling.
- `tunnel-tagged-and-untagged`  
This rule is used for any of the five L2CP protocols when they are configured to be tunneled.

You can display the L2CP transparency configuration and `oper-rule` for each L2CP protocol that can be tunneled.

### Example: Display tunneling configuration and oper-rule for an interface

Use the **info from state** command for an interface to display its tunnelling configuration and oper-rule for each protocol. For example:

```
--{ candidate shared default }--[ ]--
# info from state interface ethernet-1/1 ethernet l2cp-transparency
interface ethernet-1/1 {
  ethernet {
    l2cp-transparency {
      tunnel-all-l2cp false
      lldp {
        tunnel false
        oper-rule trap-to-cpu-untagged
      }
      lacp {
        tunnel false
        oper-rule trap-to-cpu-untagged
      }
      xstp {
        tunnel false
        oper-rule drop-tagged-and-untagged
      }
      dot1x {
        tunnel false
        oper-rule drop-tagged-and-untagged
      }
      ptp {
        tunnel false
        oper-rule drop-tagged-and-untagged
      }
    }
  }
}
```

### Example: Display the oper-rule for each protocol type

Use the **show interface detail** command to display the L2CP transparency rule (oper-rule) for each protocol type; for example:

```
--{ candidate shared default }--[ ]--
# show interface ethernet-1/1 detail
=====
Interface: ethernet-1/1
-----
Description      : <None>
Oper state       : up
Down reason      : N/A
Last change      : 2d22h27m45s ago, 1 flaps since last clear
Speed            : 10G
Flow control     : Rx is disabled, Tx is disabled
MTU              : 9232
VLAN tagging     : false
Queues           : 8 output queues supported, 2 used since the last clear
MAC address      : 00:01:01:FF:00:01
Last stats clear : never
Breakout mode    : false
-----
L2cp transparency rules for ethernet-1/1
-----
Lldp             : trap-to-cpu-untagged
Lacp             : trap-to-cpu-untagged
```

```
xStp           : drop-tagged-and-untagged
Dot1x          : drop-tagged-and-untagged
Ptp            : tunnel-tagged-and-untagged
Non-specified L2cp : drop-tagged-and-untagged
-----
```

### 4.8.3 Displaying L2CP transparency statistics

#### Procedure

To display L2CP transparency statistics, use the **info from state** command in candidate or running mode, or the **info** command in state mode.

Statistics are displayed for the following:

- Total number of L2CP packets of any L2CP protocol on all interfaces, as well as the total number of discarded and tunneled L2CP packets.
- Total number of ingress tunneled and trapped-to-CPU packets per L2CP protocol at the system level. Individual statistics are displayed for LLDP, LACP, xSTP, Dot1x, and PTP protocols if `tunnel-all-l2cp false` is configured.

#### Example

```
--{ candidate shared default }--[ ]--
# info from state system l2cp-transparency l2cp-statistics
system {
  l2cp-transparency {
    l2cp-statistics {
      total-in-packets 0
      total-in-discarded-packets 0
      total-in-tunneled-packets 0
      total-in-trap-to-cpu-packets 0
      last-clear "a day ago"
      lldp {
        in-tunneled-packets 0
        in-trap-to-cpu-packets 0
      }
      lacp {
        in-tunneled-packets 0
        in-trap-to-cpu-packets 0
      }
      xstp {
        in-tunneled-packets 0
        in-trap-to-cpu-packets 0
      }
      dot1x {
        in-tunneled-packets 0
        in-trap-to-cpu-packets 0
      }
      ptp {
        in-tunneled-packets 0
        in-trap-to-cpu-packets 0
      }
    }
  }
}
```



#### Note:

- Discarded L2CP frames are counted as `in-discarded-packets` in interface-level statistics. They are not counted in subinterface statistics.
- Tunneled L2CP frames are counted in interface and subinterface statistics for outgoing interfaces in the appropriate counters.
- If `tunnel-all-l2cp true` is configured, all L2CP frames (including LLDP, LACP, xSTP, Dot1x, and PTP) are counted only in `l2cp-statistics/total-in-tunneled-packets` regardless of protocol-specific configuration. In this case, the protocol-specific statistics are displayed as 0.

### 4.8.3.1 Clearing L2CP transparency statistics

#### Procedure

You can use a `tools` command to clear the total counters and the per-protocol counters for L2CP transparency statistics.

#### Example: Clear statistics counters for all L2CP protocols

```
--{ running }--[ ]--
# tools system l2cp-transparency l2cp-total-statistics clear
```

#### Example: Clear statistics counters for a specific L2CP protocol type

```
--{ running }--[ ]--
# tools system l2cp-transparency ptp clear
```

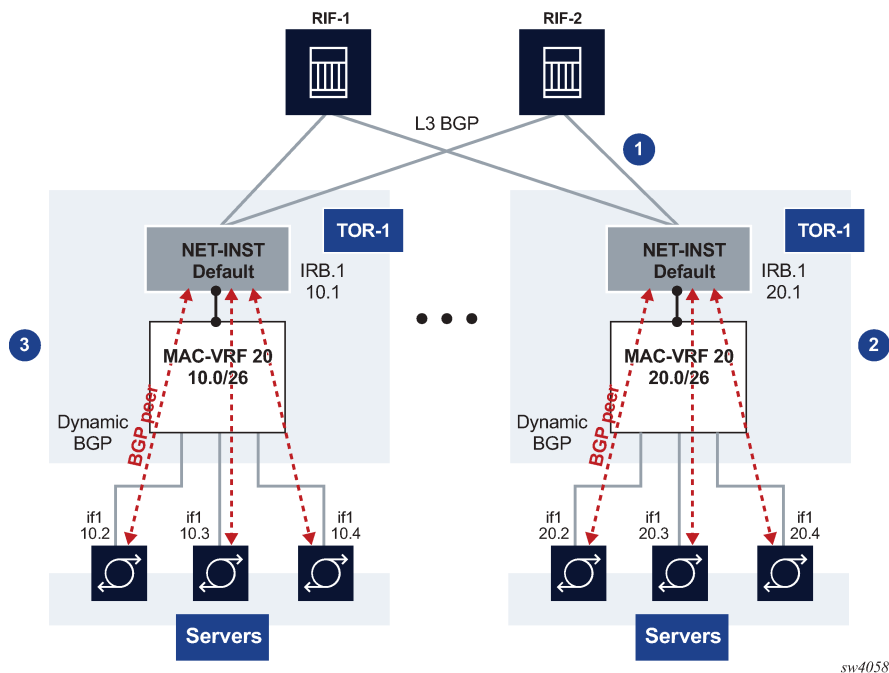
## 4.9 Server aggregation configuration example

[Figure 4: Server aggregation example](#) shows an example of using MAC-VRF network-instances to aggregate servers into the same subnet.

In this example, Leaf-1 and Leaf-2 are configured with MAC-VRF instances that aggregate a group of servers. These servers are assigned IP addresses in the same subnet and are connected to the Leaf default network-instance by a single IRB subinterface. The servers use a PE-CE BGP session with the IRB IP address to exchange reachability.

Using the MAC-VRF with an IRB subinterface saves routed subinterfaces on the default network-instance; only one routed subinterface is needed, as opposed to one per server.

Figure 4: Server aggregation example



In this example:

1. TORs peer (eBGP) to 2 or 4 RIFs
2. MAC-VRF 20 is defined in TORs with an IRB interface with IPv4/IPv4 addresses. DHCP relay is supported on IRB subinterfaces.
3. The following Layer 2 features are implemented or loop and MAC duplication protection:
  - MAC duplication with oper-down or blackhole actions configured on the bridged subinterfaces
  - Storm control for BUM traffic on bridged subinterfaces

This example uses the following features:

- MAC-VRF with bridge subinterfaces and IRB subinterfaces to the default network-instance
- PE-CE BGP sessions for IPv4 and IPv6 address families
- MAC duplication with oper-down or blackhole actions configured on the bridged subinterfaces
- Storm control for BUM traffic on bridged subinterfaces

#### 4.9.1 Configuration for server aggregation example

The following shows the configuration of Leaf-1 in [Figure 4: Server aggregation example](#) and its BGP session via IRB to server 1. Similar configuration is used for other servers and other TORs.

```
--{ [FACTORY] + candidate shared default }--[ interface * ]--
A:Leaf-1# info
  interface ethernet-1/1 {
    description tor1-server1
    vlan-tagging true
```



```

        subinterface 1 {
            type bridged
            vlan {
                encap {
                    single-tagged {
                        vlan-id 100
                    }
                }
            }
        }
    }
}

// Configure an IRB interface and sub-interface that will connect
// the MAC-VRF to the existing default network-instance.

--{ [FACTORY] + candidate shared default }--[ interface irb* ]--
A:Leaf-1# info
    interface irb1 {
        subinterface 1 {
            ipv4 {
                address 10.0.0.2/24 {
                }
            }
            ipv6 {
                address 2001:db8::2/64 {
                }
            }
        }
    }
}

// Configure the network-instance type mac-vrf
// and associate the bridged and irb interfaces to it.

--{ [FACTORY] + candidate shared default }--[ network-instance MAC-VRF-1 ]--
A:Leaf-1# info
    type mac-vrf
    admin-state enable
    interface ethernet-1/1.1 {
    }
    interface irb1.1 {
    }
}

// Associate the same IRB interface to the network-
// instance default and configure the BGP IPv4 and IPv6 neighbors to DUT1 and DUT3.

--{ [FACTORY] + candidate shared default }--[ network-instance default ]--
A:Leaf-1# info
    type default
    admin-state enable
    router-id 2.2.2.2
    interface irb1.1 {
    }
    protocols {
        bgp {
            admin-state enable
            afi-safi ipv4-unicast {
                admin-state enable
            }
            autonomous-system 64502
            router-id 10.0.0.2
            ebgp-default-policy {
                import-reject-all false
            }
            failure-detection {

```

```
        enable-bfd true
        fast-failover true
    }
    group leaf {
        admin-state enable
        export-policy pass-all
        afi-safi ipv4-unicast {
            admin-state enable
        }
        afi-safi ipv6-unicast {
            admin-state enable
        }
        local-as as-number 64502 {
        }
        timers {
            minimum-advertisement-interval 1
        }
    }
    afi-safi ipv4-unicast {
        admin-state enable
    }
    afi-safi ipv6-unicast {
        admin-state enable
    }
    neighbor 10.0.0.1 {
        peer-as 64501
        peer-group leaf
        transport {
            local-address 10.0.0.2
        }
    }
    neighbor 2001:db8::1 {
        peer-as 64501
        peer-group leaf
        transport {
            local-address 2001:db8::2
        }
    }
}
}
```

## 5 VXLAN v4

This chapter describes the implementation for VXLAN tunnels that use IPv4 in the underlay.

- [VXLAN configuration](#)
- [VXLAN and ECMP](#)
- [VXLAN ACLs](#)
- [QoS for VXLAN tunnels](#)
- [Displaying VXLAN statistics](#)

### 5.1 VXLAN configuration

VXLAN on SR Linux uses a tunnel model where vxlan-interfaces are bound to network-instances, in the same way that subinterfaces are bound to network-instances. Up to one vxlan-interface per network-instance is supported.

Configuration of VXLAN on SR Linux is tied to EVPN. VXLAN configuration consists of the following steps:

**1.** Configure a tunnel-interface and vxlan-interface.

A tunnel-interface for VXLAN is configured as `vxlan<N>`, where N can be 0-255.

A vxlan-interface is configured under a tunnel-interface. At a minimum, a vxlan-interface must have an index, type, and ingress VNI.

- The index can be a number in the range 0-4294967295.
- The type can be bridged or routed and indicates whether the vxlan-interface can be linked to a mac-vrf (bridged) or ip-vrf (routed).
- The ingress VNI is the VXLAN Network Identifier that the system looks for in incoming VXLAN packets to classify them to this vxlan-interface and its network-instance.

Configuration of an explicit vxlan-interface egress source IP is not permitted, given that the data path supports one source tunnel IP address for all VXLAN interfaces. The source IP used in the vxlan-interfaces is the IPv4 address of sub-interface `system0.0` in the default network-instance.

**2.** Associate the vxlan-interface to a network-instance.

A vxlan-interface can only be associated with one network-instance, and a network-instance can have only one vxlan-interface.

**3.** Associate the vxlan-interface to a bgp-evpn instance.

The vxlan-interface must be linked to a bgp-evpn instance so that VXLAN destinations can be dynamically discovered and used to forward traffic.

The following configuration example illustrates these steps:

```
tunnel-interface vxlan1 {
  // (Step 1) Creation of the tunnel-interface and vxlan-interface
  vxlan-interface 1 {
    type bridged
```

```

        ingress {
            vni 1
        }
        egress {
            source-ip use-system-ipv4-address
        }
    }
}
network-instance blue {
    type mac-vrf
    admin-state enable
    description "network instance blue"
    interface ethernet-1/2.1 {
    }
    vxlan-interface vxlan1.1 {
// (Step 2) Association of the vxlan-interface to the network-instance
    }
    protocols {
        bgp-evpn {
            bgp-instance 1 {
                admin-state enable
                vxlan-interface vxlan1.1
// (Step 3) Association of the vxlan-interface to the bgp-evpn instance
                evi 1
            }
        }
        bgp-vpn {
            bgp-instance 1 {
                route-distinguisher {
                    route-distinguisher 1.1.1.1:1
                }
                route-target {
                    export-rt target:1234:1
                    import-rt target:1234:1
                }
            }
        }
    }
}
}
}
}

```

Upon receiving EVPN routes with VXLAN encapsulation, the SR Linux creates VTEPs (VXLAN Termination Endpoints) from the EVPN route next-hops, and each VTEP is allocated an index number (per source and destination tunnel IP addresses).

When a VTEP is created in the vxlan-tunnel table and a non-zero index allocated, a tunnel-table entry is also created for the tunnel in the tunnel-table.

If the next hop is not resolved to any route in the network-instance default route-table, the index in the vxlan-tunnel table shows as 0 for the VTEP, and no tunnel-table entry would be created in the tunnel-table for that VTEP.

The following example illustrates the created vxlan-tunnel entries and tunnel-table entries upon receiving IMET routes from three different PEs.

```

--{ [FACTORY] + candidate shared default }--[ ]--
# info from state tunnel vxlan-tunnel vtep *
    tunnel {
        vxlan-tunnel {
            vtep 10.22.22.2 {
                index 677716962894
            }
        }
    }
// index allocated per source and destination tunnel IP addresses.
// Index of 0 would mean that 10.22.22.2 is not resolved in the route-table
// and no tunnel-table entry is created.

```

```

        last-change "17 hours ago"
    }
    vtep 10.33.33.3 {
        index 677716962900
        last-change "17 hours ago"
    }
    vtep 10.44.44.4 {
        index 677716962897
        last-change "17 hours ago"
    }
}

--{ [FACTORY] + candidate shared default }--[ ]--
# info from state network-instance default tunnel-table ipv4
network-instance default {
    tunnel-table {
        ipv4 {
            tunnel 10.22.22.2/32 type vxlan owner vxlan_mgr id 1 {
                // tunnel table entry for VTEP 10.22.22.2, created
                // after the vxlan-tunnel vtep 10.22.22.2
                next-hop-group 677716962900 // NHG-ID allocated by fib_mgr
                metric 0
                preference 0
                last-app-update "17 hours ago"
                vxlan {
                    destination-address 10.22.22.2
                    source-address 10.11.11.1
                    time-to-live 255
                }
            }
            tunnel 10.33.33.3/32 type vxlan owner vxlan_mgr id 3 {
                next-hop-group 677716962900
                metric 0
                preference 0
                last-app-update "17 hours ago"
                vxlan {
                    destination-address 10.33.33.3
                    source-address 10.11.11.1
                    time-to-live 255
                }
            }
            tunnel 10.44.44.4/32 type vxlan owner vxlan_mgr id 2 {
                next-hop-group 677716962897
                metric 0
                preference 0
                last-app-update "17 hours ago"
                vxlan {
                    destination-address 10.44.44.4
                    source-address 10.11.11.1
                    time-to-live 255
                }
            }
        }
    }
}

--{ [FACTORY] + candidate shared default }--[ ]--
# info from state network-instance default route-table next-hop-group 677716962900
network-instance default {
    route-table {
        next-hop-group 677716962900 {
            next-hop 0 {
                next-hop 677716962900
            }
        }
    }
}

```

```

// NH ID allocated by fib_mgr for the NHG-ID
    active true
  }
}
}

--{ [FACTORY] + candidate shared default }--[ ]--
# info from state network-instance default route-table next-hop 677716962900
  network-instance default {
    route-table {
      next-hop 677716962900 {
// resolution of the NH ID
        type direct
        ip-address 10.1.2.2
        subinterface ethernet-1/1.1
      }
    }
  }
}

```

### 5.1.1 Source and destination VTEP addresses

In the network egress direction, the vxlan-interface/egress/source IP leaf determines the loopback interface that the system uses to source VXLAN packets (outer IP SA). The source IP used in the vxlan-interfaces is the IPv4 address of subinterface system0.0 in the default network-instance.

The egress VTEP (outer IP DA) is determined by EVPN and must be of the same family as the configured source IP (currently only IPv4).

Only unicast VXLAN tunnels are supported (outer IP DA is always unicast), and ingress replication is used to deliver BUM frames to the remote VTEPs in the current release.

In the network ingress direction, the IP DA matches one of the local loopback IP addresses in the default network-instance to move the packet to the VNI lookup stage (loopback interfaces only, not other interfaces in the default network-instance, such as IRB subinterfaces). The loopback IP address does not need to match the configured source IP address in the vxlan-interface.

The system can terminate any VXLAN packet with an outer destination IP matching a local loopback address, with no set restriction on the number of IPs.

### 5.1.2 Ingress/egress VNI

The configured ingress VNI determines the value used by the ingress lookup to find the network-instance for a further MAC lookup. The egress VNI is specified by EVPN. For a mac-vrf, only one egress VNI is supported. The system ignores the value of the "I" flag on reception. According to RFC 7348, the "I" flag must be set to 1. However, the system accepts VXLAN packets with "I" flag set to 0; the "I" flag is set to 1 on transmission.

### 5.1.3 VLAN tagging for VXLAN

Outer VLAN tagging is supported (one VLAN tag only), assuming that the egress subinterface in the default network-instance uses VLAN tagging.

Inner VLAN tagging is transparent, and no specific handling is needed at network ingress for Layer 2 network-instances. Inner VLAN tagging is not supported for VXLAN originated/terminated traffic in ip-vrf network-instances that are BGP-EVPN interface-less enabled.

### 5.1.4 Network-instance and interface MTU

No specific MTU checks are done in network-instances configured with VXLAN. You should make the default network-instance interface MTU large enough to allow room for the VXLAN overhead. If the size of the egress VXLAN packets exceeds the IP MTU of the egress subinterface in the default network-instance, the packets are still forwarded. No statistics are collected, other than those for forwarded packets.

IP MTU checks are used only for the overlay domain; that is, for interfaces doing inner packet modifications. IP MTU checks are not done for VXLAN-encapsulated packets on egress subinterfaces of the default network-instance (which are in the underlay domain).

### 5.1.5 Fragmentation for VXLAN traffic

Fragmentation for VXLAN traffic is handled as follows:

- The Don't Fragment (DF) flag is set in the VXLAN outer IP header.
- The TTL of the VXLAN outer IP header is always 255.
- No reassembly is supported for VXLAN packets.

## 5.2 VXLAN and ECMP

Unicast traffic forwarded to VXLAN destinations can be load-balanced on network (underlay) ECMP links or overlay aliasing destinations.

Network LAGs, that is, LAG subinterfaces in the default network-instance, are not supported when VXLAN is enabled on the platform. LAG access subinterfaces on MAC-VRFs are supported.

VXLAN-originated packets support double spraying based on overlay ECMP (or aliasing) and underlay ECMP on the default network-instance.

Load-balancing is supported for the following:

- Encapsulated Layer 2 unicast frames (coming from a subinterface within the same broadcast domain)
- Layer 3 frames coming from an IRB subinterface.

For BUM frames, load balancing operates as follows:

- BUM supports spraying in access LAGs based on a hash. That is, BUM flows received from a VXLAN or a Layer 2 subinterface of a MAC-VRF are sprayed across egress access LAG links.
- BUM does not support spraying in underlay VXLAN next-hops. That is, BUM flows received from VXLAN or a Layer 2 subinterface of a MAC-VRF are sent to a single underlay subinterface.
- BUM VXLAN packets are sent to a single member of the NHG associated with a specific VXLAN multicast destination. The chosen member is based on a hash of the NHG-ID of the VXLAN destination and the number of links in the NHG.

## 5.3 VXLAN ACLs

You can configure system filter Access Control Lists (ACLs) to drop incoming VXLAN packets that should not be processed for reasons such as the following:

- The source IP is not recognized
- The destination IP is not an address that should be used for termination
- The default destination UDP port is not being used

SR Linux supports logging VXLAN of packets dropped by ACL policies.

A system filter ACL is an IPv4 or IPv6 ACL that is evaluated before tunnel termination has occurred and before interface ACLs have been applied. A system filter can match and drop unauthorized VXLAN tunnel packets before they are decapsulated. When a system filter ACL is created, its rules are evaluated against all transit and terminating IPv4 or IPv6 traffic that is arriving on any subinterface of the router, regardless of where that traffic entered in terms of network-instance, subinterface, and so on.

The system filter matches the outer header of tunneled packets; they do not filter the payload of VXLAN tunnels. If the system-filter does not drop the VXLAN-terminated packets, only egress IRB ACLs can match the inner packets. System filters can be applied only at ingress, not egress.

See the *SR Linux Configuration Basics Guide* for information about configuring system filter ACLs.

## 5.4 QoS for VXLAN tunnels

When the SR Linux receives a terminating VXLAN packet on a subinterface, it classifies the packet to one of eight forwarding classes and one of three drop probabilities (low, medium, or high). The classification is based on the following considerations:

- The outer IP header DSCP is not considered.
- If the payload packet is non-IP, the classified FC is fc0 and the classified drop probability is lowest.
- If the payload packet is IP, and there is a classifier policy referenced by the **qos classifiers vxlan-default** command, that policy is used to determine the FC and drop probability from the header fields of the payload packet.
- If the payload packet is IP, and there is no classifier policy referenced by the **qos classifiers vxlan-default** command, the default DSCP classifier policy is used to determine the FC and drop probability from the header fields of the payload packet.

When the SR Linux adds VXLAN encapsulation to a packet and forwards it out a subinterface, the inner header IP DSCP value is not modified if the payload packet is IP, even if the egress routed subinterface has a DSCP rewrite rule policy bound to it that matches the packet FC and drop probability. The outer header IP DSCP is set to a static value or copied from the inner header IP DSCP. However, this static or copied value is modified by the DSCP rewrite rule policy that is bound to the egress routed subinterface, if the rule policy exists.

### Example:

You can specify a classifier policy that applies to ingress packets received from any remote VXLAN VTEP. The policy applies to payload packets after VXLAN decapsulation has been performed.



The following example specifies a VXLAN classifier policy:

```
--{ * candidate shared default }--[ ]--
# info qos
  qos {
    classifiers {
      vxlan-default p1 {
        traffic-class 1 {
          forwarding-class fc0
        }
      }
    }
  }
}
```

See the *SR Linux Quality of Service Guide* for information on configuring QoS.

### 5.4.1 Configuring a VXLAN classifier policy

#### Procedure

You can specify a classifier policy that applies to ingress packets received from any remote VXLAN VTEP. The policy applies to payload packets after VXLAN decapsulation has been performed.

#### Example

The following example specifies a VXLAN classifier policy:

```
--{ * candidate shared default }--[ ]--
# info qos
  qos {
    classifiers {
      vxlan-default p1 {
        traffic-class 1 {
          forwarding-class fc0
        }
      }
    }
  }
}
```

### 5.4.2 Using a DSCP rewrite-rule for VXLAN traffic (7220 IXR-D4/D5)

#### About this task

You can configure policies to modify the outer IP DSCP for VXLAN traffic as follows:

- **7220 IXR-D2/D2L/D3/D3L**

On 7220 IXR-D2/D2L/D3/D3L, if you configure a DSCP rewrite rule policy on the egress routed subinterface, this same policy modifies the outer IP DSCP value for the VXLAN traffic also.

If no DSCP rewrite policy is configured on the subinterface, by default, the inner header IP DSCP value is not modified, and the outer header IP DSCP is copied from the inner header IP DSCP.

- **7220 IXR-D4/D5**

On 7220 IXR-D4/D5, if a DSCP rewrite rule policy is applied to a subinterface, it has no effect on the VXLAN originated traffic. On these platforms, you must use the **qos rewrite-rules vxlan-outer-header-dscp-policy** command to explicitly associate a rewrite policy to the VXLAN originated traffic.

If no VXLAN DSCP policy is configured on the subinterface, by default, the inner header IP DSCP value is not modified, and the following platform-specific behavior applies:

- On 7220 IXR-D4: the outer header IP DSCP is copied from the inner header IP DSCP.
- On 7220 IXR-D5: the outer header IP DSCP is marked 0.

### Procedure

On 7220 IXR D4/D5 systems, use the **qos rewrite-rules vxlan-outer-header-dscp-policy** command to apply a rewrite-rule policy for all VXLAN traffic, as shown in the following example:

#### Example: Apply a DSCP rewrite-rule for VXLAN traffic on 7220 IXR-D4/D5

```
--{ candidate shared default }--[ ]--
# info qos rewrite-rules vxlan-outer-header-dscp-policy
qos {
  rewrite-rules {
    vxlan-outer-header-dscp-policy vxlan-rewrite-test
    dscp-policy vxlan-rewrite-test {
      map fcl {
        dscp 10
        drop-probability low {
          dscp 11
        }
      }
    }
  }
}
```

## 5.5 VXLAN statistics collection

You can configure SR Linux to collect statistics for VXLAN tunnels. By default statistics collection for VXLAN tunnels is disabled.

On 7220 IXR-D2/D3 devices, system resources allocated to statistics collection is distributed among Layer 3 / IRB subinterface statistics (if configured), Layer 2 subinterface statistics, and VXLAN statistics.

When Layer 3 / IRB subinterfaces are configured, enabling VXLAN statistics collection reduces the amount of resources available for collecting Layer 2 subinterface statistics:

- If VXLAN statistics collection is disabled (the default), resources are available for collecting statistics for all supported Layer 2 subinterfaces.
- If VXLAN statistics collection is enabled, resources are shared between Layer 2 subinterfaces and VXLAN tunnels, reducing the Layer 2 subinterface scale.

If maximum scale is required for Layer 2 subinterfaces, VXLAN statistics collection must be disabled. Disabling VXLAN statistics collection de-allocates the resources for VXLAN statistics collection and allocates them to Layer 2 subinterface statistics collection. The VXLAN statistics are not cleared, however; to clear them, use the appropriate **tools** command. See [Clearing VXLAN statistics](#).

- The amount of resources available for collecting Layer 3 / IRB subinterface statistics does not change if VXLAN statistics collection is enabled or disabled.

## 5.5.1 Enabling VXLAN statistics collection

### Procedure

To enable VXLAN statistics collection, use the following command. Enabling VXLAN statistics collection disables and re-enables statistics collection on the subinterfaces. During this transition, statistics are not counted for the subinterfaces.

After enabling VXLAN statistics collection, if you attempt to configure more than the maximum number of Layer 2 subinterfaces supported with VXLAN statistics, an error message is displayed. If more than the maximum number of Layer 2 subinterfaces (with VXLAN statistics) are already configured in the system, VXLAN statistics collection cannot be enabled.

### Example

```
--{ candidate shared default }--[ ]--
# info tunnel vxlan-tunnel statistics
  tunnel {
    vxlan-tunnel {
      statistics {
        admin-state enable
      }
    }
  }
}
```

## 5.5.2 Displaying VXLAN statistics

### Procedure

To display statistics for all VXLAN tunnels or for a specified VTEP, use the **info from state** command in candidate or running mode, or the **info** command in state mode.

### Example: Display statistics for all VXLAN tunnels

```
--{ running }--[ ]--
# info from state vxlan-tunnel statistics
  vxlan-tunnel {
    statistics {
      in-octets 7296882
      in-packets 83012
      in-discarded-packets 5
      out-octets 7297496
      out-packets 83007
      last-clear 2021-01-29T21:58:40.919Z
    }
  }
}
```

### Example: Display statistics for a specified VTEP

```
--{ running }--[ ]--
# info from state vxlan-tunnel vtep 10.22.22.2
  vxlan-tunnel {
    vtep {
      address 10.22.22.2
      index 677716962894
      last-change 2021-01-29T21:52:34.151Z
      statistics {
        in-octets 7296882
      }
    }
  }
}
```

```
        in-packets 83012
        in-discarded-packets 5
        out-octets 7297496
        out-packets 83007
        last-clear 2021-01-29T21:58:40.919Z
    }
}
```

### 5.5.3 Clearing VXLAN statistics

#### Procedure

You can clear the statistics for all VXLAN tunnels or for a specific VTEP.

#### Example: Clear statistics for all VXLAN tunnels

```
--{ running }--[ ]--
# tools vxlan-tunnel statistics clear
```

#### Example: Clear statistics for a specific VTEP

```
--{ running }--[ ]--
# tools vxlan-tunnel vtep 10.22.22.2 clear
```

## 6 EVPN for VXLAN tunnels (Layer 2)

This chapter describes the components of EVPN-VXLAN Layer 2 on SR Linux.

- [EVPN-VXLAN L2 basic configuration](#)
- [MAC duplication detection for Layer 2 loop prevention in EVPN](#)
- [EVPN L2 multi-homing](#)
- [EVPN for VXLAN tunnels \(Layer 2\)](#)

### 6.1 EVPN-VXLAN L2 basic configuration

Basic configuration of EVPN-VXLAN L2 on SR Linux consists of the following:

- A vxlan-interface, which contains the ingress VNI of the incoming VXLAN packets associated with the vxlan-interface
- A MAC-VRF network-instance, where the vxlan-interface is attached. Only one vxlan-interface can be attached to a MAC-VRF network-instance.
- BGP-EVPN is also enabled in the same MAC-VRF with a minimum configuration of the EVI and the network-instance vxlan-interface associated with it.

The BGP instance under BGP-EVPN has an encapsulation-type leaf, which is VXLAN by default.

For EVPN, this determines that the BGP encapsulation extended community is advertised with value VXLAN and the value encoded in the label fields of the advertised NLRIs is a VNI.

If the route-distinguisher or route-target/policies are not configured, the required values are automatically derived from the configured EVI as follows:

- The route-distinguisher is derived as `<ip-address:evi>`, where the `ip-address` is the IPv4 address of the default network-instance sub-interface `system0.0`.
- The route-target is derived as `<asn:evi>`, where the `asn` is the autonomous system configured in the default network-instance.

The following example shows a basic EVPN-VXLAN L2 configuration consisting of a vxlan-interface, MAC-VRF network-instance, and BGP-EVPN configuration:

```
--{ candidate shared default }--[ ]--
# info
...
  tunnel-interface vxlan1 {
    vxlan-interface 1 {
      type bridged
      ingress {
        vni 10
      }
      egress {
        source-ip use-system-ipv4-address
      }
    }
  }
}
```

```
// In the network-instance:
A:dut2# network-instance blue
--{ candidate shared default }--[ network-instance blue ]--
# info
  type mac-vrf
  admin-state enable
  description "Blue network instance"
  interface ethernet-1/2.1 {
  }
  vxlan-interface vxlan1.1 {
  }
  protocols {
    bgp-evpn {
      bgp-instance 1 {
        admin-state enable
        vxlan-interface vxlan1.1
        evi 10
      }
    }
    bgp-vpn {
      bgp-instance 1 {
        // rd and rt are auto-derived from evi if this context is not configured
        export-policy pol-def-1
        import-policy pol-def-1
        route-distinguisher {
          route-distinguisher 64490:200
        }
        route-target {
          export-rt target:64490:200
          import-rt target:64490:100
        }
      }
    }
  }
}
```

### 6.1.1 EVPN L2 basic routes

EVPN Layer 2 (without multi-homing) includes the implementation of the BGP-EVPN address family and support for the following route types:

- EVPN MAC/IP route (or type 2, RT2)
- EVPN Inclusive Multicast Ethernet Tag route (IMET or type 3, RT3)

The MAC/IP route is used to convey the MAC and IP information of hosts connected to subinterfaces in the MAC-VRF. The IMET route is advertised as soon as bgp-evpn is enabled in the MAC-VRF; it has the following purpose:

- Auto-discovery of the remote VTEPs attached to the same EVI
- Creation of a default flooding list in the MAC-VRF so that BUM frames are replicated

Advertisement of the MAC/IP and IMET routes is configured on a per-MAC-VRF basis. The following example shows the default setting **advertise true**, which advertises MAC/IP and IMET routes.

Note that changing the setting of the **advertise** parameter and committing the change internally flaps the BGP instance.

```
--{ candidate shared default }--[ network-instance blue protocols bgp-evpn bgp-
```

```

instance 1 ]--
# info detail
  admin-state enable
  vxlan-interface vxlan1.1
  evi 1
  ecmp 1
  default-admin-tag 0
  routes {
    next-hop use-system-ipv4-address
    mac-ip {
      advertise true
    }
    inclusive-mcast {
      advertise true
    }
  }
}

```

## 6.1.2 Creation of VXLAN destinations based on received EVPN routes

The creation of VXLAN destinations of type unicast, unicast ES (Ethernet Segment), and multicast for each vxlan-interface is driven by the reception of EVPN routes.

The created unicast, unicast ES, and multicast VXLAN destinations are visible in state. Each destination is allocated a system-wide unique destination index and is an internal NHG-ID (next-hop group ID).

The destination indexes for the VXLAN destinations are shown in the following example for destination 10.22.22.4, vni 1

```

--{ [FACTORY] + candidate shared default }--[ ]--
# info from state tunnel-interface vxlan1 vxlan-interface 1 bridge-table unicast-
destinations destination * vni *
  tunnel-interface vxlan1 {
    vxlan-interface 1 {
      bridge-table {
        unicast-destinations {
          destination 10.44.44.4 vni 1 {
            destination-index 677716962904 // destination index
            statistics {
            }
            mac-table {
              mac 00:00:00:01:01:04 {
                type evpn-static
                last-update "16 hours ago"
              }
            }
          }
        }
      }
    }
  }
}
--{ [FACTORY] + candidate shared default }--[ ]--
# info from state network-instance blue bridge-table mac-table mac 00:00:00:01:01:04
  network-instance blue {
    bridge-table {
      mac-table {
        mac 00:00:00:01:01:04 {
          destination-type vxlan
          destination-index 677716962904 // destination index
          type evpn-static
          last-update "16 hours ago"
          destination "vxlan-interface:vxlan1.1 vtep:10.44.44.4 vni:1"
        }
      }
    }
  }
}

```

```

    }
  }
}

```

The following is an example of dynamically created multicast destinations for a vxlan-interface:

```

--{ [FACTORY] + candidate shared default }--[ ]--
A:dut1# info from state tunnel-interface vxlan1 vxlan-interface 1 bridge-
table multicast-destinations
  tunnel-interface vxlan1 {
    vxlan-interface 1 {
      bridge-table {
        multicast-destinations {
          destination 40.1.1.2 vni 1 {
            multicast-forwarding BUM
            destination-index 46428593833
          }
          destination 40.1.1.3 vni 1 {
            multicast-forwarding BUM
            destination-index 46428593835
          }
          destination 40.1.1.4 vni 1 {
            multicast-forwarding BUM
            destination-index 46428593829
          }
        }
      }
    }
  }
}

```

### 6.1.3 EVPN route selection

When a MAC is received from multiple sources, the route is selected based on the priority listed in [MAC selection](#). Learned and EVPN-learned routes have equal priority; the latest received route is selected.

When multiple EVPN-learned MAC/IP routes arrive for the same MAC but with a different key (for example, two routes for MAC M1 with different route-distinguishers), a selection is made based on the following priority:

1. EVPN MACs with higher SEQ number
2. EVPN MACs with lower IP next-hop
3. EVPN MACs with lower Ethernet Tag
4. EVPN MACs with lower RD

### 6.1.4 BGP next hop configuration for EVPN routes

You can configure the BGP next hop to be used for the EVPN routes advertised for a network-instance. This next hop is by default the IPv4 address configured in interface `system 0.0` of the default network-instance. However, the next-hop address can be changed to any IPv4 address.

The system does not check that the configured IP address exists in the default network-instance. Any valid IP address can be used as next hop of the EVPN routes advertised for the network-instance, irrespective of its existence in any subinterface of the system. However, the receiver leaf nodes create their unicast,



multicast and ES destinations to this advertised next-hop, so it is important that the configured next-hop is a valid IPv4 address that exists in the default network-instance.

When the system or loopback interface configured for the BGP next-hop is administratively disabled, EVPN still advertises the routes, as long as a valid IP address is available for the next-hop. However, received traffic on that interface is dropped.

The following example configures a BGP next hop to be used for the EVPN routes advertised for a network-instance.

```
--{ candidate shared default }--[ network-instance 1 protocols bgp-evpn bgp-
instance 1 ]--
# info
  routes {
    next-hop 1.1.1.1
  }
}
```

## 6.2 MAC duplication detection for Layer 2 loop prevention in EVPN

MAC loop prevention in EVPN broadcast domains is based on the SR Linux MAC duplication feature (see [MAC duplication detection and actions](#)), but considers MACs that are learned via EVPN as well. The feature detects MAC duplication for MACs moving among bridge subinterfaces of the same MAC-VRF, as well as MACs moving between bridge subinterfaces and EVPN in the same MAC-VRF, but not for MACs moving from a VTEP to a different VTEP (via EVPN) in the same MAC-VRF.

Also, when a MAC is declared as duplicate, and the **blackhole** configuration option is added to the interface, then not only incoming frames on bridged subinterfaces are discarded if their MAC SA or DA match the blackhole MAC, but also frames encapsulated in VXLAN packets are discarded if their source MAC or destination MAC match the blackhole MAC in the mac-table.

When a MAC exceeds the allowed num-moves, the MAC is moved to a type duplicate (irrespective of the type of move: EVPN-to-local, local-to-local, local-to-EVPN), the EVPN application receives an update that advertises the MAC with a higher sequence number (which may trigger the duplication in other nodes). The "duplicate" MAC can be overwritten by a higher priority type, or flushed by the **tools** command (see [Deleting entries from the bridge table](#)).

## 6.3 EVPN L2 multi-homing

SR Linux supports single-active multi-homing and all-active multi-homing, as defined in RFC 7432. The EVPN multi-homing implementation uses the following SR Linux features:

- System network-instance

A system network-instance container hosts the configuration and state of EVPN for multi-homing.

- BGP network-instance

The ES model uses a BGP instance from where the RD/RT and export/import policies are taken to advertise and process the multi-homing ES routes. Only one BGP instance is allowed, and all the ESes are configured under this BGP instance. The RD/RTs cannot be configured when the BGP instance is associated with the system network-instance; however the operational RD/RTs are still shown in state.

- Ethernet Segments

An ES has an admin-state (disabled by default) setting that must be toggled to change any of the parameters that affect the EVPN control plane. In particular, the ESes support the following:

- General and per-ES boot and activation timers.
  - Manual 10-byte ESI configuration.
  - All-active and single-active multi-homing modes.
  - DF Election algorithm type Default (modulo based) or type Preference.
  - Configuration of ES and AD per-ES routes next-hop, and ES route originating-IP per ES.
  - An AD per ES route is advertised per mac-vrf, where the route carries the network-instance RD and RT.
  - Association with an interface that can be of type Ethernet or LAG. When associated with a LAG, the LAG can be static or LACP-based. In case of LACP, the same system-id/system-priority/port-key settings must be configured on all the nodes attached to the same ES.
- Aliasing load balancing
 

This hashing operation for aliasing load balancing uses the following hash fields in the incoming frames by default:

    - For IP traffic: IP DA and IP SA, Layer 4 source and destination ports, protocol, VLAN ID.
    - For Ethernet (non-IP) traffic: MAC DA and MAC SA, VLAN ID, Ethertype.

For IPv6 addresses, 32 bit fields are generated by XORing and Folding the 128 bit address. The packet fields are supplied as input to the hashing computation.
  - Reload-delay timer
 

The reload-delay timer configures an interface to be shut down for a period of time following a node reboot or an IMM reset to avoid black-holing traffic.

### 6.3.1 EVPN L2 multi-homing procedures

EVPN relies on three different procedures to handle multi-homing: DF election, split-horizon, and aliasing. DF election is relevant to single-active and all-active multi-homing; split-horizon and aliasing are relevant only to all-active multi-homing.

- DF Election – The Designated Forwarder (DF) is the leaf that forwards BUM traffic in the ES. Only one DF can exist per ES at a time, and it is elected based on the exchange of ES routes (type 4) and the subsequent DF Election Algorithm (DF Election Alg).
 

In single-active multi-homing, the non-DF leafs bring down the subinterface associated with the ES.

In all-active multi-homing, the non-DF leafs do not forward BUM traffic received from remote EVPN PEs.
- Split-horizon – This is the mechanism by which BUM traffic received from a peer ES PE is filtered so that it is not looped back to the CE that first transmitted the frame. Local bias is applied in VXLAN services, as described in RFC 8365.
- Aliasing – This is the procedure by which PEs that are not attached to the ES can process non-zero ESI MAC/IP routes and AD routes and create ES destinations to which per-flow ECMP can be applied.

To support multi-homing, EVPN-VXLAN supports two additional route types:

- ES routes (type 4) – Used for ES discovery on all the leafs attached to the ES and DF Election.

ES routes use an ES-import route target extended community (its value is derived from the ESI), so that its distribution is limited to only the leafs that are attached to the ES.

The ES route is advertised with the DF Election extended community, which indicates the intent to use a specific DF Election Alg and capabilities.

Upon reception of the remote ES routes, each PE builds a DF candidate list based on the originator IP of the ES routes. Then, based on the agreed DF Election Alg, each PE elects one of the candidates as DF for each mac-vrf where the ES is defined.

- AD route (type 1) – Advertised to the leafs attached to an ES. There are two versions of AD routes:
  - AD per-ES route – Used to advertise the multi-homing mode (single-active or all-active) and the ESI label, which is not advertised or processed in case of VXLAN. Its withdrawal enables the mass withdrawal procedures in the remote PEs.
  - AD per-EVI route – Used to advertise the availability of an ES in an EVI and its VNI. It is needed by the remote leafs for the aliasing procedures.

Both versions of AD routes can influence the DF Election. Their withdrawal from a leaf results in removing that leaf from consideration for DF Election for the associated EVI, as long as **ac-df exclude** is configured. (The AC-DF capability can be set to **exclude** only if the DF election algorithm type is set to **preference**.)

### 6.3.2 EVPN-VXLAN local bias for all-active multi-homing

Local bias for all-active multi-homing is based on the following behavior at the ingress and egress leafs:

- At the ingress leaf, any BUM traffic received on an all-active multi-homing LAG subinterface (associated with an EVPN-VXLAN mac-vrf) is flooded to all local subinterfaces, irrespective of their DF or NDF status, and VXLAN tunnels.
- At the egress leaf, any BUM traffic received on a VXLAN subinterface (associated with an EVPN-VXLAN mac-vrf) is flooded to single-homed subinterfaces and multi-homed subinterfaces whose ES is not shared with the owner of the source VTEP if the leaf is DF for the ES.

In SR Linux, the local bias filtering entries on the egress leaf are added or removed based on the ES routes, and they are not modified by the removal of AD per EVI/ES routes. This may cause blackholes in the multi-homed CE for BUM traffic if the local subinterfaces are administratively disabled.

### 6.3.3 Single-active multi-homing

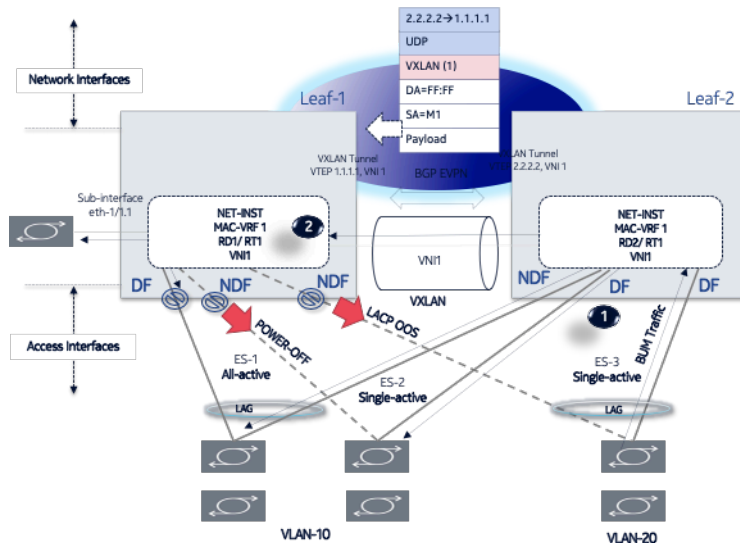
[Figure 5: EVPN L2 single-homing configuration](#) shows a single-active ES attached to two leaf nodes. In this configuration, the ES in single-active mode can be configured to do the following:

- Associate to an Ethernet interface or a LAG interface (as all-active ESes)
- Coexist with all-active ESes on the same node, as well as in the same MAC-VRF service.
- Signal the non-DF state to the CE by using LACP out-of-synch signaling or power off.

Optionally, the ES can be configured not to signal to the CE. When the LACP synch flag or power off is used to signal the non-DF state to the CE/server, all of the subinterfaces are active on the same node; that is, load balancing is not per-service, but rather per-port. This mode of operation is known as EVPN multi-homing port-active mode.

- Connect to a CE that uses a single LAG to connect to the ES or separate LAG/ports per leaf in the ES.

Figure 5: EVPN L2 single-homing configuration



All peers in the ES must be configured with the same multi-homing mode; if the nodes are not configured consistently, the `oper-multi-homing-mode` in state is single-active. From a hardware resource perspective, no local-bias-table entries are populated for ESes in single-active mode.

The following features work in conjunction with single-active mode:

- [Preference-based DF election / non-revertive option](#) configures ES peers to elect a DF based on a preference value, as well as an option to prevent traffic from reverting back to a former DF node.
- [Attachment Circuit influenced DF Election \(AC-DF\)](#) allows the DF election candidate list for a network-instance to be modified based on the presence of the AD per-EVI and per-ES routes.
- [Standby LACP-based or power-off signaling](#) configures how the node's non-DF state is signaled to the multi-homed CE.

### 6.3.3.1 Preference-based DF election / non-revertive option

Preference-based DF election is defined in `draft-ietf-bess-evpn-pref-df` and specifies a way for the ES peers to elect a DF based on a preference value (highest preference-value wins). The `draft-ietf-bess-evpn-pref-df` document also defines a non-revertive mode, so that upon recovery of a former DF node, traffic does not revert to the node. This is desirable in most cases to avoid double impact on the traffic (failure and recovery).

The configuration requires the command `df-election/algorithm/type preference` and the corresponding `df-election/algorithm/preference-alg/preference-value`. Optionally, you can set non-revertive mode to `true`. See [EVPN multi-homing configuration example](#).

All of the peers in the ES should be configured with the same algorithm type. However, if that is not the case, all the peers fall back to the default algorithm/oper-type.

### 6.3.3.2 Attachment Circuit influenced DF Election (AC-DF)

AC-DF refers to the ability to modify the DF election candidate list for a network-instance based on the presence of the AD per-EVI and per-ES routes. When enabled (**ac-df include** command), a node cannot become DF if it has the ES subinterface in administratively disabled state. The AC-DF capability is defined in RFC 8584, and it is by default enabled.

The AC-DF capability should be disabled (**ac-df exclude** command) when single-active multi-homing is used and standby-signaling (**lACP power-off** command) signals the non-DF state to the multi-homed CE/server. In this case, the same node must be DF for all the contained subinterfaces. Administratively disabling one subinterface does not cause a DF switchover for the network-instance if **ac-df exclude** is configured.

The AC-DF capability is configured with the command **df-election algorithm preference-alg capabilities ac-df; include** is the default. See [EVPN multi-homing configuration example](#).

### 6.3.3.3 Standby LACP-based or power-off signaling

Standby LACP-based or power-off signaling is used for cases where the AC-DF capability is excluded, and the DF election port-active mode is configured.

When single-active multi-homing is used and all subinterfaces on the node for the ES must be in DF or non-DF state, the multi-homed CE should not send traffic to the non-DF node. SR Linux supports two ways of signaling the non-DF state to the multi-homed CE: LACP standby or power-off.

Signaling the non-DF state is configured at the interface level, using the command **interface ethernet standby-signaling**, and must also be enabled for a specific ES using the **ethernet-segment df-election interface-standby-signaling-on-non-df** command. See [EVPN multi-homing configuration example](#).

The LACP signaling method is only available on LAG interfaces with LACP enabled. When the node is in non-DF state, it uses an LACP out-of-synch notification (the synch bit is clear in the LACP PDUs) to signal the non-DF state to the CE. The CE then brings down LACP, and the system does not jump to the collecting-distributing state, and neither does the peer (because of out\_of\_sync). After the port is out of standby mode, LACP needs to be re-established, and the forwarding ports need to be programmed after that.

The power-off signaling is available on Ethernet and LAG interfaces. When the node is in non-DF state, the interface goes oper-down, and the lasers on the Ethernet interfaces (all members in case of a LAG) are turned off. This brings the CE interface down and avoids any traffic on the link. The interfaces state show `oper-state down` and `oper-down-reason standby-signaling`.

### 6.3.4 Reload-delay timer

After the system boots, the reload-delay timer keeps an interface shut down with the laser off for a configured amount of time until connectivity with the rest of network is established. When applied to an access multi-homed interface (typically an Ethernet Segment interface), this delay can prevent black-holing traffic coming from the multi-homed server or CE.

In EVPN multi-homing scenarios, if one leaf in the ES peer group is rebooting, coming up after an upgrade or a failure, it is important for the ES interface not to become active until after the node is ready to forward traffic to the core. If the ES interface comes up too quickly and the node has not programmed its forwarding tables yet, traffic from the server is black-holed. To prevent this from happening, you can configure a reload-delay timer on the ES interface so that the interface does not become active until after network connectivity is established.

When a reload-delay timer is configured, the interface port is shut down and the laser is turned off from the time that the system determines the interface state following a reboot or reload of the XDP process, until the number of seconds specified in the reload-delay timer elapse.

The reload-delay timer is only supported on Ethernet interfaces that are not enabled with breakout mode. For a multi-homed LAG interface, the reload-delay timer should be configured on all the interface members. The reload-delay timer can be from 1-86,400 seconds. There is no default value; if not configured for an interface, there is no reload-delay timer.

Only ES interfaces should be configured with a non-zero reload-delay timer. Single-homed interfaces and network interfaces (used to forward VXLAN traffic) should not have a reload-delay timer configured.

The following example sets the reload-delay timer for an interface to 20 seconds. The timer starts following a system reboot or when the IMM is reconnected, and the system determines the interface state. During the timer period, the interface is deactivated and the port laser is inactive.

```
--{ * candidate shared default }--[ ]--
# info interface ethernet-1/1
  interface ethernet-1/1 {
    admin-state enable
    ethernet {
      reload-delay 20
    }
  }
}
```

When the reload-delay timer is running, the port-oper-down-reason for the port is shown as interface-reload-timer-active. The reload-delay-expires state indicates the amount of time remaining until the port becomes active. For example:

```
--{ * candidate shared default }--[ ]--
# info from state interface ethernet-1/1
  interface ethernet-1/1 {
    description eth_seg_1
    admin-state enable
    mtu 9232
    loopback-mode false
    ifindex 671742
    oper-state down
    oper-down-reason interface-reload-time-active
    last-change "51 seconds ago"
    vlan-tagging true
    ...
    ethernet {
      auto-negotiate false
      lacp-port-priority 32768
      port-speed 100G
      hw-mac-address 00:01:01:FF:00:15
      reload-delay 20
reload-delay-expires "18 seconds from now"
      flow-control {
        receive false
        transmit false
      }
    }
  }
}
```

### 6.3.5 EVPN multi-homing configuration example

The following is an example of a single-active multi-homing configuration, including standby signaling power-off, AC-DF capability, and preference-based DF algorithm.

The following configures power-off signaling and the reload delay timer for an interface:

```
--{ * candidate shared default }--[ ]--
# info interface ethernet-1/21 ethernet
    standby-signaling power-off // needed to signal non-DF state to the CE
    reload-delay 100 // upon reboot, this is required to avoid attracting traffic
from the multi-homed CE until the node is ready to forward.
// The time accounts for the time it takes all network protocols to be up
and forwarding entries ready.
```

The following configures DF election settings for the ES, including preference-based DF election and a preference value for the DF election alg. The **ac-df** setting is set to **exclude**, which disables the AC-DF capability. The **non-revertive** option is enabled, which prevents traffic from reverting back to a former DF node when the node reconnects to the network.

```
--{ * candidate shared default }--[ system network-instance protocols evpn ethernet-
segments bgp-instance 1 ethernet-segment eth_seg_1 ]--
# info
    admin-state enable
    esi 00:01:00:00:00:00:00:00:00:00
    interface ethernet-1/21
    multi-homing-mode single-active
    df-election {
        interface-standby-signaling-on-non-df { // presence container that enables
the standby-signaling for the ES
        }
        algorithm {
            type preference // enables the use of preference based DF election
            preference-alg {
                preference-value 100 // changes the default 32767 to a
specific value
            }
            capabilities {
                ac-df exclude // turns off the default ac-df capability
                non-revertive true // enables the non-revertive mode
            }
        }
    }
}
```

The following shows the state (and consequently the configuration) of an ES for single-active multi-homing and indicates the default settings for the algorithm/oper-type. All of the peers in the ES should be configured with the same algorithm type. However, if that is not the case, all the peers fall back to the default algorithm.

```
--{ * candidate shared default }--[ system network-instance protocols evpn ethernet-
segments bgp-instance 1 ethernet-segment eth_seg_1 ]--
# info
    admin-state enable
    oper-state up
    esi 00:01:00:00:00:00:00:00:00:00
    interface ethernet-1/21
    multi-homing-mode single-active
    oper-multi-homing-mode single-active // oper mode may be different if not all
the ES peers are configured in the same way
    df-election {
```

```

    interface-standby-signaling-on-non-df {
    }
    algorithm {
        type preference
        oper-type preference // if at least one peer in the ES is in type
default, all the peers will fall back to default
        preference-alg {
            preference-value 100
            capabilities {
                ac-df exclude
                non-revertive true
            }
        }
    }
}
routes {
    next-hop use-system-ipv4-address
    ethernet-segment {
        originating-ip use-system-ipv4-address
    }
}
association {
    network-instance blue {
        bgp-instance 1 {
            designated-forwarder-role-last-change "2 seconds ago"
            designated-forwarder-activation-start-time "2 seconds ago"
            designated-forwarder-activation-time 3
            computed-designated-forwarder-candidates {
                designated-forwarder-candidate 40.1.1.1 {
                    add-time "2 seconds ago"
                    designated-forwarder true
                }
                designated-forwarder-candidate 40.1.1.2 {
                    add-time "2 minutes ago"
                    designated-forwarder false
                }
            }
        }
    }
}
}
}
}

```

To display information about the ES, use the **show system network-instance ethernet-segments** command. For example:

```

--{ [FACTORY] + candidate shared default }--[ ]--
# show system network-instance ethernet-segments eth_seg_1
-----
eth_seg_1 is up, single-active
ESI       : 00:01:00:00:00:00:00:00:00:00
Alg       : preference
Peers     : 40.1.1.2
Interface: ethernet-1/21
Network-instances:
  blue
    Candidates : 40.1.1.1 (DF), 40.1.1.2
    Interface  : ethernet-1/21.1
-----
Summary
 1 Ethernet Segments Up
 0 Ethernet Segments Down
-----

```



The **detail** option displays more information about the ES. For example:

```
--{ [FACTORY] + candidate shared default }--[ ]--
# show system network-instance ethernet-segments eth_seg_1 detail
=====
Ethernet Segment
=====
Name                : eth_seg_1
40.1.1.1 (DF)
Admin State         : enable                Oper State           : up
ESI                 : 00:01:00:00:00:00:00:00:00:00
Multi-homing        : single-active         Oper Multi-homing    : single-active
Interface           : ethernet-1/21
ES Activation Timer  : None
DF Election         : preference            Oper DF Election     : preference

Last Change         : 2021-04-06T08:49:44.017Z
=====
MAC-VRF    Actv Timer Rem   DF
eth_seg_1  0                Yes
-----
DF Candidates
-----
Network-instance  ES Peers
blue              40.1.1.1 (DF)
blue              40.1.1.2
=====
```

On the DF node, the **info from state** command displays the following:

```
--{ [FACTORY] + candidate shared default }--[ ]--
# info from state interface ethernet-1/21 | grep oper
oper-state up
oper-state not-present
oper-state up

--{ [FACTORY] + candidate shared default }--[ ]--
# info from state network-instance blue interface ethernet-1/21.1
network-instance blue {
  interface ethernet-1/21.1 {
    oper-state up
    oper-mac-learning up
    index 6
    multicast-forwarding BUM
  }
}
```

On the non-DF node, the **info from state** command displays the following:

```
--{ [FACTORY] + candidate shared default }--[ ]--
# info from state interface ethernet-1/21 | grep oper
oper-state down
oper-down-reason standby-signaling
oper-state not-present
oper-state down
oper-down-reason port-down

--{ [FACTORY] + candidate shared default }--[ ]--
# info from state network-instance blue interface ethernet-1/21.1
network-instance blue {
  interface ethernet-1/21.1 {
    oper-state down
  }
}
```

```
    oper-down-reason subif-down
    oper-mac-learning up
    index 7
    multicast-forwarding none
  }
}
```

## 6.4 Layer 2 proxy-ARP/ND

Proxy-ARP (Address Resolution Protocol) and Proxy-ND (Neighbor Discovery) are Layer 2 functions supported on MAC-VRF network-instances, specified in [RFC 9161](#). Proxy-ARP/ND enables the learning of IP-to-MAC bindings so that leaf nodes can reply to ARP-requests or Neighbor Solicitations without having to flood those requests in the BD. The proxy-ARP/ND function supports ARP/ND flooding suppression and security protection against ARP/ND spoofing attacks in large BDs.

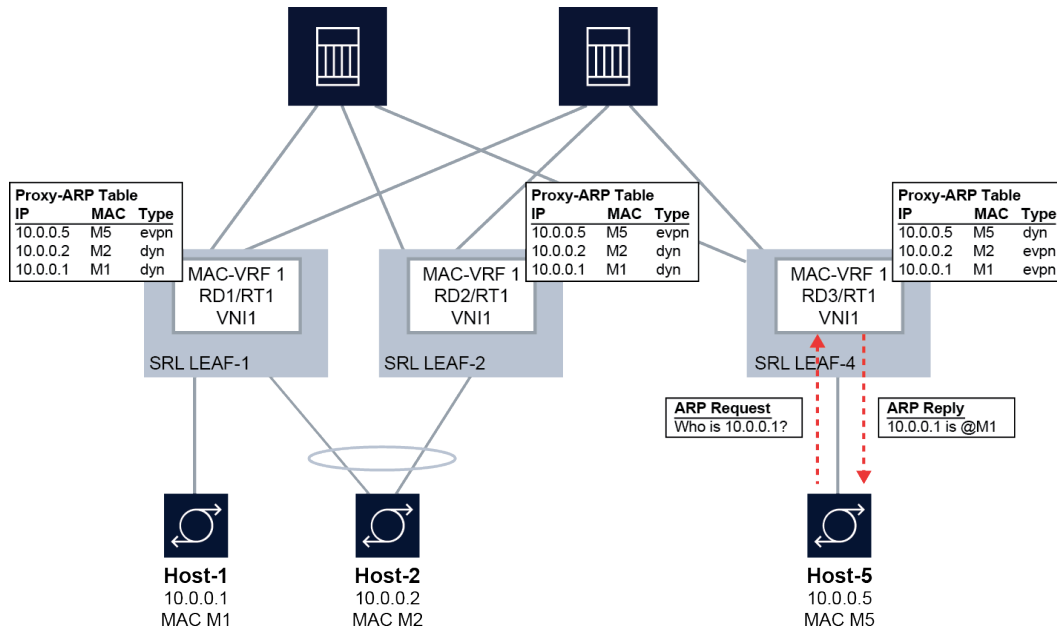
When proxy-ARP/ND is enabled for a MAC-VRF, a table is created that contains entries related to proxy-ARP/ND for the BD. Entries in the proxy-ARP/ND table can be of the following types:

- **Dynamic**  
Dynamic IP-MAC entries are learned by snooping ARP and ND messages; requires enabling proxy-ARP/ND and enabling dynamic learning. See [Dynamic learning for proxy-ARP/ND](#).
- **Static**  
Static IP-MAC entries are manually provisioned in the proxy-ARP/ND table; requires enabling proxy-ARP/ND and configuring static entries. See [Static proxy-ARP entries](#).
- **EVPN-learned**  
EVPN-learned IP-MAC entries are learned from information received in EVPN MAC/IP (type 2 or RT2) routes from remote PE devices; requires enabling proxy-ARP/ND and configuring **bgp-evpn** on the MAC-VRF. See [EVPN learning for proxy-ARP/ND](#).
- **Duplicate**  
Duplicate entries are identified as duplicates by the IP duplication detection procedure. You can configure the criteria that determines whether an entry is a duplicate and optionally inject anti-spoofing MACs in case of duplication. See [Proxy-ARP/ND duplicate IP detection](#).

The proxy-ARP/ND table for the MAC-VRF has a default size of 250 entries. You can modify the table size. See [Proxy-ARP/ND table](#).

[Figure 6: Layer 2 proxy-ARP example](#) illustrates how proxy-ARP/ND functions in a BD with an example showing proxy-ARP.

Figure 6: Layer 2 proxy-ARP example



In this example, the SR Linux leaf nodes snoop and learn the local hosts and add dynamic IP-MAC entries for them in the proxy-ARP table for the MAC-VRF. The IP-MAC bindings for the local hosts are advertised in EVPN MAC/IP (type 2 or RT2) routes and installed as EVPN-learned IP-MAC entries in the proxy-ARP table on the remote SR Linux leaf nodes.

For example, SRL LEAF-1 dynamically learns the IP-MAC binding for Host-1 (10.0.0.1-M1) and adds it to the proxy-ARP table as a dynamically learned entry. The IP-MAC binding for Host-1 is advertised in an EVPN MAC/IP route. The remote SRL LEAF-4 installs the IP-MAC binding for Host-1 in its proxy-ARP table as an EVPN-learned entry. When Host-5 sends an ARP-request for 10.0.0.1, SRL LEAF-4 looks it up in the proxy-ARP table and replies with M1. Because Leaf-4 has the 10.0.0.1-M1 binding in its proxy-ARP table, it does not need to flood the request in the BD.

If the lookup is unsuccessful, the ARP-request is re-injected into the datapath and flooded in the BD. Alternatively, this flooding can be suppressed. See [Configuring proxy-ARP/ND traffic flooding options](#).

See [RFC 9161](#) for details about proxy-ARP/ND in EVPN deployments.

### 6.4.1 Dynamic learning for proxy-ARP/ND

When dynamic learning for proxy-ARP/ND is enabled, all frames coming into bridged subinterfaces of the MAC-VRF that have Ethertype 0x0806 (for proxy-ARP) or ICMPv6 Neighbor Discovery (for proxy-ND) are sent to the CPM for learning. This includes ARP-request and ARP-reply (including gratuitous ARP) messages and Neighbor Solicitation and Neighbor Advertisement messages (for ND). Dynamic entries in the proxy-ARP/ND table are created from both message types. For proxy-ND, dynamic entries are created only from Neighbor Advertisement messages. Learning an entry is done irrespective of the MAC Destination Address (DA) of the ARP or ND packet (unicast or broadcast).

The dynamically learned information in the table is based on the ARP/ND payload MAC Source Address (SA) and IP DA, and not the frame outer MAC SA (although they normally match). A valid MAC SA must be present for the entry to be learned.

In addition to learning the dynamic entry from the ARP-request, ARP-reply, or Neighbor Advertisement, the system re-injects and forwards messages as follows:

- For received ARP-request or Neighbor Solicitation messages, the system looks up the requested IP address, and if the lookup is successful, it sends an ARP-reply or Neighbor Advertisement with the MAC→IP information. If the lookup is not successful, the ARP-request / Neighbor Solicitation is re-injected and flooded based on the flood list and the configured flooding option, with source squelching. See [Configuring proxy-ARP/ND traffic flooding options](#).

The re-injected ARP-request or Neighbor Solicitation keeps all existing non-service-delimiting tags of the original frame. Unicast ARP-requests are replied to if there is an entry in the proxy table. If the lookup is not successful, the frame is forwarded to the MAC DA.

- For ARP-reply / Neighbor Advertisement messages, the MAC DA (unicast) is looked up in the MAC table. In case of a hit, the frame is re-injected and unicasted based on the MAC table information. If there is no hit, the frame is re-injected and flooded based on the flood list information (with source squelching). The re-injected ARP-reply / Neighbor Advertisement keeps all existing non-service-delimiting tags of the original frame.
- For ARP/ND frames that are sent to the CPM, the ARP reply / Neighbor Advertisement is always unicasted to the subinterface on which the ARP-request / Neighbor Solicitation arrived, even if the MAC itself has not yet been learned in the MAC table.

If a MAC ACL is bound to the ingress of a bridged subinterface (see the *SR Linux ACL and Policy-Based Routing Guide*), and proxy-ARP/ND is enabled in the network-instance, the rules in the MAC ACL are applied before extraction to the CPM. Consequently, if the MAC ACL drops an ARP packet, it never reaches the CPM.

Disabling dynamic learning for proxy-ARP/ND causes the dynamically learned entries to be flushed from the proxy-ARP/ND table. You can also set an age timer (default disabled) for dynamic entries, after which they are flushed from the proxy table.

In addition, you can set a timer to refresh dynamic entries. At a configured interval (default never) the system generates ARP-requests / Neighbor Solicitations with the intent to refresh the proxy entry; if no response is received, another one is attempted.

### 6.4.1.1 Configuring dynamic learning for proxy-ARP/ND

#### Procedure

To configure dynamic learning for entries in the proxy-ARP table, enable proxy-ARP and dynamic learning for the MAC-VRF. The same commands exist under proxy-nd.

#### Example

```
--{ candidate shared default }--[ ]--
# info network-instance MAC-VRF-1 bridge-table proxy-arp
  network-instance MAC-VRF-1 {
    bridge-table {
      proxy-arp {
        admin-state enable
        dynamic-learning {
          admin-state enable
          age-time 600
          send-refresh 200
        }
      }
    }
  }
```

```
}

```

This example also configures the **age-time** and **send-refresh** timers. By default, both timers are disabled.

- The **age-time** specifies in seconds the aging timer for each proxy-ARP/ND entry. When the aging expires, the entry is flushed. The age is reset when a new ARP/GARP/NA for the same IP-MAC binding is received.
- The **send-refresh** timer sends ARP-request / Neighbor Solicitation messages at the configured time, so that the owner of the IP address can reply and therefore refresh its IP-MAC (proxy-ARP/ND) and MAC (FDB) entries.

## 6.4.2 Static proxy-ARP entries

You can configure static entries in the proxy-ARP/ND table. Static entries have higher priority than snooped dynamic and EVPN entries in the table.

A static proxy-ARP/ND entry requires a static or dynamic MAC entry in the MAC table to become active. The static entries are advertised in MAC/IP routes, with the MAC Mobility extended community following the information associated with the MAC entry (static bit or sequence number).

The system does not validate the MAC addresses configured in static entries.

When **proxy-arp** or **proxy-nd** is disabled, the configured static entries remain in the proxy table, unlike dynamically learned and EVPN-learned entries, which are flushed from the table.

### 6.4.2.1 Configuring static proxy-ARP entries

#### Procedure

To configure static proxy-ARP, add entries to the proxy-ARP table.

#### Example

The following example enables proxy-ARP and configures a static entry in the proxy-ARP table. Note that the system does not validate MAC addresses specified in static entries.

The same commands exist under proxy-nd, although the configured IP address is an IPv6 address.

```
--{ candidate shared default }--[ ]--
# info network-instance MAC-VRF-1 bridge-table proxy-arp
  network-instance MAC-VRF-1 {
    bridge-table {
      proxy-arp {
        admin-state enable
        static-entries {
          neighbor 101.1.1.1 {
            link-layer-address 00:00:64:01:01:01
          }
        }
      }
    }
  }
}
```

### 6.4.3 EVPN learning for proxy-ARP/ND

When proxy-ARP/ND is configured in an EVPN, the PE devices dynamically learn IP-MAC bindings for their local hosts and advertise them in EVPN MAC/IP routes to remote PE devices. The remote PE devices add these IP-MAC bindings to the proxy-ARP/ND table as EVPN-learned entries.

When a host sends an ARP-request or Neighbor Solicitation for a host on the remote side of the EVPN, if the PE device has the EVPN-learned IP-MAC binding in its proxy-ARP/ND table, it sends back an ARP-reply or Neighbor Advertisement with the remote host's MAC. If the IP-MAC binding does not exist in the PE device's proxy-ARP/ND table, the ARP-request or Neighbor Solicitation is flooded in the BD (ARP-request / Neighbor Solicitation flooding can be optionally disabled). See [Figure 6: Layer 2 proxy-ARP example](#) for an illustration of this process.

#### 6.4.3.1 Configuring EVPN learning for proxy-ARP/ND

##### Procedure

To configure EVPN learning for proxy-ARP/ND, enable proxy-ARP/ND for the MAC-VRF and configure **bgp-evpn** to advertise the IP-MAC bindings in EVPN MAC/IP Advertisement routes and learn new IP-MAC bindings from the imported MAC/IP Advertisement routes.

For deployments that use a multi-homing solution, **advertise-arp-nd-only-with-mac-table-entry** must be set to **true** to avoid issues with ESIs. If this setting is not configured, race conditions may result in MAC/IP routes advertised with ESI=0, and later with non-zero ESIs.

##### Example: Advertise local MACs and local MAC-IP pairs

```
--{ candidate shared default }--[ ]--
# info network-instance MAC-VRF-1 bridge-table proxy-arp
  network-instance MAC-VRF-1 {
    bridge-table {
      proxy-arp {
        admin-state enable
      }
    }
  }
}
```

```
--{ candidate shared default }--[ ]--
# info network-instance MAC-VRF-1 bgp-evpn bgp-instance 1 routes bridge-table
  network-instance MAC-VRF-1 {
    protocols {
      bgp-evpn {
        bgp-instance 1 {
          routes {
            bridge-table {
              mac-ip {
                advertise true
              }
            }
          }
        }
      }
    }
  }
}
```

### Example: Advertise local MAC-IP pairs only with a local MAC in the MAC table

```
--{ candidate shared default }--[ ]--
# info network-instance MAC-VRF-1 bridge-table proxy-arp
network-instance MAC-VRF-1 {
  bridge-table {
    proxy-arp {
      admin-state enable
    }
  }
}
```

```
--{ candidate shared default }--[ ]--
# info network-instance MAC-VRF-1 bgp-evpn bgp-instance 1 routes bridge-table
network-instance MAC-VRF-1 {
  protocols {
    bgp-evpn {
      bgp-instance 1 {
        routes {
          bridge-table {
            mac-ip {
              advertise-arp-nd-only-with-mac-table-entry true
            }
          }
        }
      }
    }
  }
}
```

Note that EVPN MAC/IP routes advertised for Layer 2 and Layer 3 differ in that Layer 3 ARP entries are always advertised in non-zero IP MAC/IP routes, while Layer 2 proxy-ARP/ND entries are advertised only when there is a local MAC in the MAC table, since the proxy-ARP/ND entry must be active.

Enabling **advertise-arp-nd-only-with-mac-table-entry** is recommended for Layer 2 proxy-ARP/ND multi-homing deployments, because the MAC delete process is handled separately from the proxy-ARP/ND delete process. If the MAC delete process happens first, the proxy-ARP/ND entry is advertised with ES=0 right away, which flushes the MAC on the ES peer.

## 6.4.4 Configuring proxy-ARP/ND traffic flooding options

### Procedure

If a lookup in the proxy-ARP/ND table is unsuccessful, by default the system re-injects the ARP-request into the data path and floods it in the BD.

For proxy-ARP, you can configure the following options for how ARP frames are flooded into the EVPN network. The default for both of these options is **true**.

- **unknown-arp-req**  
This option configures whether unknown broadcast ARP-requests are flooded to EVPN destinations. Unknown in this context means the lookup in the proxy-ARP/ND table was unsuccessful. Non-broadcast ARP-requests are not affected by this option.
- **gratuitous-arp**

This option configures whether Gratuitous ARP (GARP) requests or replies are flooded to EVPN destinations. GARPs are ARP messages where the sender's IP address matches the target's IP address. Normally the MAC DA is a broadcast address.

For proxy-ND, you can configure the following options for how Neighbor Solicitation and Neighbor Advertisement frames are flooded into the EVPN network. The default for these options is **true**.

- **unknown-neighbor-advertise-host**  
This option configures whether to flood Neighbor Advertisement replies for type host into the EVPN network.
- **unknown-neighbor-advertise-router**  
This option configures whether to flood Neighbor Advertisement replies for type router into the EVPN network.
- **unknown-neighbor-solicitation**  
This option configures whether to flood Neighbor Solicitation messages (with source squelching) into the EVPN network

### Example: Disable EVPN flooding for unknown broadcast ARP-requests and GARPs

The following example disables flooding to EVPN destinations for both unknown broadcast ARP-requests and GARPs:

```
--{ candidate shared default }--[ ]--
# info network-instance MAC-VRF-1 bridge-table proxy-arp evpn flood
  network-instance MAC-VRF-1 {
    bridge-table {
      proxy-arp {
        evpn {
          flood {
            unknown-arp-req false
            gratuitous-arp false
          }
        }
      }
    }
  }
}
```

### Example: Disable EVPN flooding for Neighbor Advertisements

The following example disables flooding to EVPN destinations for Neighbor Advertisement replies for type router and type host:

```
--{ candidate shared default }--[ ]--
# info network-instance MAC-VRF-1 bridge-table proxy-nd evpn flood
  network-instance MAC-VRF-1 {
    bridge-table {
      proxy-nd {
        evpn {
          flood {
            unknown-neighbor-advertise-router false
            unknown-neighbor-advertise-host false
          }
        }
      }
    }
  }
}
```



## 6.4.5 Proxy-ARP/ND duplicate IP detection

Proxy-ARP/ND duplicate IP detection is a security mechanism described in [RFC 9161](#) to detect ARP/ND-spoofing attacks. In an ARP/ND-spoofing attack, an attacker sends false ARP/ND messages into a BD, with the goal of associating the attacker's IP address with a target host and directing traffic for that host to the attacker.

The proxy-ARP/ND duplicate IP detection feature monitors changes to active entries in the proxy-ARP/ND table. When an IP move occurs (for example, IP1→MAC1 is replaced by IP1→MAC2 in the table), a **monitoring-window** timer is started (default 3 minutes). If a specified number of IP moves (default 5) is detected before the **monitoring-window** timer expires, the IP is considered to be a duplicate.

When the system detects an IP move in the proxy table (for example, IP1→MAC1 changing to IP1→MAC2) it places the IP1→MAC2 proxy table entry in pending-confirmation state for a maximum of 30 seconds. During the pending-confirmation period, the ARP/ND entry is inactive, and a confirm-message is unicast to MAC1. If no reply from MAC1 is received during the pending-confirmation period, the IP1→MAC2 entry is confirmed as legitimate and becomes active. If a reply from MAC1 is received, then MAC2 is sent a confirm-message. If MAC2 replies, an additional confirm-message is sent to MAC1. If both MAC1 and MAC2 keep replying to the confirm-messages, it triggers the duplicate IP detection procedure for IP1, because the number of IP moves exceeds the maximum allowed during the monitoring window.

When an IP is detected as a duplicate, the proxy table cannot be updated with new dynamic or EVPN-learned entries for the same IP (although you can configure a static entry for the IP). The duplicate IP is subject to this restriction until a configured **hold-down-time** expires (default 9 minutes), after which the entry for the IP is removed from the proxy table, and the monitoring process for the IP is restarted.

### Anti-Spoofing MAC

You can configure an Anti-Spoofing MAC (AS-MAC). If an AS-MAC is configured, the system associates the duplicate IP with the AS-MAC in the proxy-ARP/ND table. A GARP/unsolicited-NA message with IP1→AS-MAC is sent to the local CEs, and an EVPN MAC/IP route with IP1→AS-MAC is sent to the remote PEs. This updates the ARP/ND caches on the CEs in the BD, so that CEs in the BD use the AS-MAC as MAC DA when sending traffic to IP1.

If you configure the `static-blackhole true` option, the AS-MAC is installed in the MAC table as a blackhole MAC, which discards incoming frames with a MAC source or destination matching the AS-MAC.

### 6.4.5.1 Configuring proxy-ARP/ND duplicate IP detection

#### Procedure

To configure proxy-ARP/ND duplicate IP detection, set the following options:

- **monitoring-window**  
This is the number of minutes the system monitors a proxy-ARP/ND table entry following an IP move (default 3 minutes).
- **num-moves**  
This is the maximum number of IP moves a proxy-ARP/ND table entry can have during the **monitoring-window** before the IP is considered duplicate (default 5 IP moves).
- **hold-down-time**  
This is the number of minutes from the time an IP is declared duplicate to the time the IP is removed from the proxy-ARP/ND table (default 9 minutes).

- **anti-spoof-mac**  
If configured, this replaces the MAC of the duplicate IP in the proxy-ARP/ND table. The AS-MAC is advertised in EVPN to remote PEs.
- **static-blackhole**  
If this option is set to `true`, this installs the AS-MAC in the MAC table as a blackhole MAC, causing incoming frames with a MAC source or destination matching the AS-MAC to be discarded.

### Example: Configure proxy-ARP duplicate IP detection

```
--{ candidate shared default }--[ ]--
# info network-instance MAC-VRF-1 bridge-table proxy-arp ip-duplication
network-instance MAC-VRF-1 {
  bridge-table {
    proxy-arp {
      ip-duplication {
        monitoring-window 5
        num-moves 7
        hold-down-time 10
        anti-spoof-mac 00:CA:FE:CA:FE:08
        static-blackhole true
      }
    }
  }
}
```

### Example: Configure proxy-ND duplicate IP detection

```
--{ candidate shared default }--[ ]--
# info network-instance MAC-VRF-1 bridge-table proxy-nd ip-duplication
network-instance MAC-VRF-1 {
  bridge-table {
    proxy-nd {
      ip-duplication {
        monitoring-window 5
        num-moves 7
        hold-down-time 10
        anti-spoof-mac 00:CA:FE:CA:FE:08
        static-blackhole true
      }
    }
  }
}
```

## 6.4.5.2 Configuring processing for proxy-ARP/ND probe packets

### Procedure

ARP Request and Neighbor Solicitation packets that have 0.0.0.0 or :: as the sender's IP address are used as probes by the IPv4/IPv6 Duplicate Address Detection (DAD) function. Proxy-ARP/ND identifies these probe packets and can either process them locally, or forward them into the MAC-VRF (flooding them into the MAC-VRF) so that they reach all the hosts in the BD. You can configure whether the probe packets are processed locally or flooded to the MAC-VRF.

### Example: Configure flooding for proxy-ARP probe packets

The following example configures local processing for ARP probe messages. When set to `false`, ARP probe messages are flooded to the remote nodes if unknown-ARP-requests are configured to be flooded.

By default, local processing is set to `true`, which causes ARP probe messages used by the hosts for DAD to be processed, replied if a proxy-ARP entry is hit, or reinjected into the data path.

```
--{ candidate shared default }--[ ]--
# info network-instance MAC-VRF-1
  network-instance MAC-VRF-1 {
    type mac-vrf
    bridge-table {
      proxy-arp {
        process-arp-probes false
      }
    }
  }
}
```

### Example: Configure flooding for Neighbor Solicitation DAD messages

The following example configures local processing for Neighbor Solicitation DAD messages. When set to `false`, Neighbor Solicitation DAD messages are flooded to the remote nodes if unknown-neighbor-solicitation is configured, so that unknown Neighbor Solicitation messages are flooded.

By default, local processing is set to `true`, which causes Neighbor Solicitation DAD messages used by the hosts for DAD to be processed, replied if a proxy-ND entry is hit, or reinjected into the data path.

```
--{ candidate shared default }--[ ]--
# info network-instance MAC-VRF-1
  network-instance MAC-VRF-1 {
    bridge-table {
      proxy-nd {
        process-dad-neighbor-solicitations false
      }
    }
  }
}
```

## 6.4.5.3 Displaying proxy-ARP/ND duplicate IP detection information

### Procedure

You can use a **show** command to display information about duplicate IPs detected in the proxy-ARP table. A similar **show** command exists for proxy-ND.

### Example

To display duplicate IP information from the proxy-ARP table for all MAC-VRFs:

```
--{ running }--[ ]--
# show network-instance * bridge-table proxy-arp ip-duplication duplicate-entries
-----
IP-duplication in network instance mac-vrf-1
-----
Monitoring window      : 3 minutes
Number of moves allowed : 5
```

```

Hold-down-time      : 10 seconds
Anti-Spoof-MAC     : 00:DE:AD:00:00:01 (Static-blackhole)
-----
Duplicate entries in network instance mac-vrf-1
-----
+-----+-----+-----+-----+
| Neighbor | MAC Address | Detect Time | Hold down time |
|          |             |             | remaining      |
+-----+-----+-----+-----+
| 10.10.10.1 | 00:DE:AD:00:00:01 | 2021-12-11T12:48:24.000Z | 10 |
| 10.10.10.2 | 00:DE:AD:00:00:01 | 2021-12-11T12:48:24.000Z | 9  |
| 10.10.10.3 | 00:DE:AD:00:00:01 | 2021-12-11T12:48:24.000Z | 10 |
+-----+-----+-----+-----+
IP-duplication in network instance mac-vrf-2
-----
...
Total Duplicate IPs : 4 Total 4 Active
-----

```

## 6.4.6 Proxy-ARP/ND table

When you enable proxy-ARP/ND for a MAC-VRF, this creates a table containing proxy-ARP/ND entries learned dynamically by snooping ARP/ND messages, configured statically, or learned from EVPN MAC/IP routes from remote PE nodes. By default, this table can contain up to 250 entries. You can configure the size of this table to be from 1 to 8,192 entries.

The system generates a log event when the size of the table reaches 90% of the maximum size and when the table reaches 95% of the maximum size. When the table reaches 100% of its maximum size, entries for an IP can be replaced (that is, a different MAC can be learned and added for the IP), but no new IP entries can be added to the table, regardless of the type (dynamic, static, or EVPN-learned).

### 6.4.6.1 Configuring the proxy-ARP/ND table size

#### Procedure

By default, the proxy-ARP or proxy-ND table can contain up to 250 entries of all types (dynamic, static, EVPN, duplicate). You can increase or decrease the maximum size of the table. If you configure the table size to be lower than the number of entries it currently contains, the system stops and restarts the proxy-ARP/ND application, causing the non-static entries to be flushed from the table.

#### Example: Configure the proxy-ARP table size

The following example configures the size of the proxy-ARP table for a MAC-VRF:

```

--{ candidate shared default }--[ ]--
# info network-instance MAC-VRF-1 bridge-table proxy-arp table-size
  network-instance MAC-VRF-1 {
    bridge-table {
      proxy-arp {
        table-size 125
      }
    }
  }
}

```

### Example: Configure the proxy-ND table size

The following example configures the size of the proxy-ND table for a MAC-VRF:

```
--{ candidate shared default }--[ ]--
# info network-instance MAC-VRF-1 bridge-table proxy-arp table-size
  network-instance MAC-VRF-1 {
    bridge-table {
      proxy-nd {
        table-size 125
      }
    }
  }
}
```

## 6.4.6.2 Clearing entries from the proxy-ARP/ND table

### Procedure

You can use **tools** commands to clear dynamic/duplicate entries from the proxy-ARP table. You can clear all dynamic/duplicate entries or you can clear specific entries.

### Example: Clear dynamic entries from the proxy-ARP table

To clear dynamic entries from the proxy-ARP table:

```
--{ running }--[ ]--
# tools network-instance MAC-VRF-1 bridge-table proxy-arp dynamic delete-all
# tools network-instance MAC-VRF-1 bridge-table proxy-arp dynamic entry 10.10.10.1 delete-ip
```

### Example: Clear duplicate entries from the proxy-ARP table

To clear duplicate entries from the proxy-ARP table:

```
--{ running }--[ ]--
# tools network-instance MAC-VRF-1 bridge-table proxy-arp duplicate delete-all
# tools network-instance MAC-VRF-1 bridge-table proxy-arp duplicate entry 10.10.10.1 delete-ip
```

### Example: Clear dynamic entries from the proxy-ND table

To clear dynamic entries from the proxy-ND table:

```
--{ running }--[ ]--
# tools network-instance MAC-VRF-1 bridge-table proxy-nd dynamic delete-all
# tools network-instance MAC-VRF-1 bridge-table proxy-nd dynamic entry 10.10.10.1 delete-ip
```

### Example: Clear duplicate entries from the proxy-ND table

To clear duplicate entries from the proxy-ND table:

```
--{ running }--[ ]--
# tools network-instance MAC-VRF-1 bridge-table proxy-nd duplicate delete-all
# tools network-instance MAC-VRF-1 bridge-table proxy-nd duplicate entry 10.10.10.1 delete-ip
```

## 6.4.7 EVPN ARP/ND extended community flags

[RFC 9047](#) defines an extended community (EC) for EVPN MAC/IP advertisement routes that carry flags related to ARP or ND. This EC includes flags that can indicate to a remote PE router whether an ARP/ND entry learned via EVPN belongs to a host or a router, or if the address is an anycast address. Information from the EC flags can allow remote PE routers configured for proxy ARP/ND to reply to local ARP or ND requests with correct information.

On SR Linux, the RFC 9047 EC is not carried in EVPN MAC/IP advertisement routes by default. You can configure SR Linux to advertise the RFC 9047 EC along with the MAC/IP routes advertised for local static, dynamic, and duplicate proxy-ARP/ND entries. When you enable SR Linux to advertise the RFC 9047 EC, you can also configure how the flags are advertised in EVPN MAC/IP routes and how the flags are set in replies to NS messages for EVPN entries.

This feature is not supported along with IRB interfaces.

The feature must be configured consistently on all PEs attached to the same BD, and in particular attached to the same ES and BD.

At the BGP level, only one EVPN ARP/ND EC is expected to be received along with an EVPN MAC/IP advertisement route. If more than one EVPN ARP/ND EC is received, the router considers only the first one on the list for processing purposes on the PE.

At the EVPN level, the flags are ignored if they come in a MAC/IP route without IP.

### RFC 9047 extended community flags

RFC 9047 defines the following flags for the EVPN ARP/ND extended community. The flags field is the third octet of the EC.

- Router flag (bit 7 in the flags field)  
If set, the Router flag (R flag) indicates the IPv6->MAC pair in the MAC/IP advertisement route belongs to an IPv6 router; if not set, the IPv6->MAC pair belongs to a host.
- Override flag (bit 6 in the flags field)  
The Override flag (O flag) is normally set to 1 by the egress router when advertising IPv6->MAC pairs, set to 0 when IPv6 anycast is enabled for the BD or interface, and ignored when the received MAC/IP advertisement route belongs to an IPv4->MAC pair. Note that anycast IPv6 addresses are not supported in SR Linux proxy-ND tables.

The ingress PE installs the ND entry with the received O flag and always uses this O flag value when replying to an NS message for the IPv6 address.

The O flag is conveyed in EVPN advertisements and advertised based on the received NA messages, and is installed in the proxy-ND entries. However, other than transferring the information between ND and EVPN, the O flag does not change any of the selection of ND entries in proxy-ND.

- Immutable flag (bit 4 in the flags field)  
If set, the Immutable flag (I flag) indicates the IP->MAC pair in the MAC/IP advertisement route is a configured ARP/ND entry; the IP address in the EVPN MAC/IP advertisement route can only be bound together with the MAC address specified in the same route.  
The I flag applies to IPv6 and IPv4 entries and is set in MAC/IP advertisements for static proxy-ARP/ND entries.

### 6.4.7.1 Enabling advertisement of the RFC 9047 extended community

When you enable advertisement of the RFC 9047 extended community, the EC is advertised along with the MAC/IP routes advertised for local static, dynamic, and duplicate proxy-ARP/ND entries. Enabling this feature also allows you to control how the EC is processed and how ARP/ND entries are selected based on the I flag.

The following example enables SR Linux to advertise the RFC 9047 EC:

```
--{ candidate shared default }--[ ]--
# info network-instance m1 protocols bgp-evpn bgp-instance 1 routes bridge-table
network-instance m1 {
  protocols {
    bgp-evpn {
      bgp-instance 1 {
        routes {
          bridge-table {
            mac-ip {
              advertise-arp-nd-extended-community true
            }
          }
        }
      }
    }
  }
}
```

By default, the `advertise-arp-nd-extended-community` command is set to `false`. When this command is set to `true`, the R, I, and O flags are advertised and processed as described in the following sections:

- [Advertising and processing for the R flag](#)
- [Advertising and processing for the I flag](#)
- [Advertising and processing for the O flag](#)

#### Advertising and processing for the R flag

After you enable SR Linux to advertise the RFC 9047 EC, you can control the advertisement of proxy-ND EVPN entries and the reply to NS messages received for those EVPN entries by configuring the `advertise-neighbor-type` command. For example:

```
--{ candidate shared default }--[ ]--
# info network-instance m1 bridge-table
network-instance m1 {
  bridge-table {
    proxy-nd {
      evpn {
        advertise-neighbor-type router-host
      }
    }
  }
}
```

The `advertise-neighbor-type` command has three options: `host`, `router`, and `router-host`. The effect this command has on how SR Linux processes the R flag for static, dynamic, EVPN, and duplicate proxy-ND entries is described in the following table.

Table 2: Effect the advertise-neighbor-type setting has on proxy ND entries

| For this proxy-ND entry type | The advertise-neighbor-type setting has this effect   |
|------------------------------|---|
| Static proxy-ND entries      | <p>Static proxy-ND entries are added with an R=1 flag if configured with <code>neighbor &lt;ipv6-address&gt; type router</code>.</p> <p>NS messages received for the entry are replied to with the configured R flag.</p> <p>The entries are advertised in EVPN if the command <code>advertise-neighbor-type</code> is configured.</p> <p>If the configuration for an entry is changed from <code>host</code> to <code>router</code>, or from <code>router</code> to <code>host</code>, an unsolicited NA message is triggered containing the new flag.</p> <p>Note that this unsolicited NA message is flooded or not into EVPN based on the configured flooding options.</p>  |
| Dynamic proxy-ND entries     | <p>When <code>proxy-nd/dynamic-learning/admin-state enable</code> is configured, the router learns dynamic entries from NA messages; the corresponding R flag is also learned and added to the proxy-ND table.</p> <p>Subsequent NS messages received for the entry are replied to with the corresponding R flag.</p> <p>The learned dynamic entries are advertised in EVPN depending configured <code>advertise-neighbor-type</code> setting:</p> <ul style="list-style-type: none"> <li>• <code>router</code> advertises dynamic and static entries for which R=1.</li> <li>• <code>host</code> advertises dynamic and static entries for which R=0.</li> <li>• <code>router-host</code> advertises dynamic and static entries for which R=0 or R=1.</li> </ul> <p>The <code>router-host</code> option is available only if <code>advertise-arp-nd-extended-community true</code> is configured. The R flag of the entry is then propagated in the R bit of the extended community for the route.</p> <ul style="list-style-type: none"> <li>• The default value is <code>advertise-neighbor-type router</code>.</li> </ul> |
| EVPN proxy-ND entries        | <p>The setting for <code>advertise-neighbor-type</code> controls the proxy-ND dynamic/static/duplicate entries that are advertised in EVPN:</p> <ul style="list-style-type: none"> <li>• <code>router</code> only advertises in EVPN dynamic entries learned with R=1, or static entries configured as <code>router</code>.</li> <li>• <code>host</code> only advertises in EVPN dynamic entries learned with R=0, or static entries configured as <code>host</code>.</li> <li>• <code>router-host</code> advertises in EVPN dynamic and static entries irrespective of the router flag, and with the correct R flag in each case. For an EVPN entry, the command adds the Router flag depending on the R flag coming in the RFC 9047 EC.</li> </ul>  |



| For this proxy-ND entry type | The advertise-neighbor-type setting has this effect  |
|------------------------------|--|
|                              | <ul style="list-style-type: none"> <li>Irrespective of the configured option, the absence of the RFC 9047 EC in a received MAC/IP route creates a proxy-ND entry of type R=1 (router).</li> </ul> <p>The setting for <code>advertise-neighbor-type</code> must be consistent on all nodes for the same service.</p>  |
| Duplicate proxy-ND entries   | <p>Duplicate proxy-ND entries are treated as host or router entries as far as EVPN advertisement and response to NS messages is concerned.</p> <p>If <code>advertise-neighbor-type host</code> is configured, the duplicate entry is treated as host.</p> <p>If <code>advertise-neighbor-type router</code> or <code>router-host</code> is configured, the duplicate entry is treated as router.</p> |

Note the following:

- System-generated unsolicited NA messages for duplicate entries carry R=0 or R=1, and are flooded to EVPN if allowed by the configured flooding options.
- The R flag in the RFC 9047 EC is ignored for proxy-ARP entries.

### Advertising and processing for the I flag

When the `advertise-arp-nd-extended-community true` command is configured, SR Linux advertises the I flag as follows:

- Any static proxy-ARP/ND entry is advertised with I=1.
- Duplicate entries with AS-MAC are advertised with I=1 (in addition to O=1 and R=0 or 1, based on configuration).
- The setting of the I flag is independent of the Static bit associated with the FDB entry; the I flag is only used with proxy-ARP/ND advertisements.

Upon reception, the I flag is processed as follows:

When SR Linux receives an EVPN MAC/IP advertisement route containing an IP->MAC and I=1, it installs the IP->MAC entry in the proxy-ARP/ND table as an immutable binding, overriding any existing non-immutable binding for the same IP->MAC. MAC mobility does not consider the I flag.

For multiple routes to the same IP, proxy-ARP/ND selection operates according the following rules:

1. Local immutable ARP/ND entries (static) are preferred first
2. EVPN immutable ARP/ND entries are preferred next
3. Regular existing ARP/ND selection applies third.

If SR Linux receives multiple EVPN MAC/IP advertisement routes with the I flag set to 1 with the same IP but a different MAC address, a route is selected using these selection rules.

If SR Linux originates an EVPN MAC/IP advertisement route containing an IP->MAC and I=1, it also originates the route with the MAC mobility EC Sticky/static flag set if the MAC is static. In this case, the MAC->IP binding is immutable, and it cannot move. If an update for the same immutable and static IP->MAC is received from a different PE, one of the two routes is selected.

There are no changes for generation of confirmation messages or GARP/unsolicited-NA messages when a new entry is learned.

### Advertising and processing for the O flag

When the `advertise-arp-nd-extended-community true` command is configured, SR Linux advertises the O flag as follows:

- For dynamic entries, the setting for the O flag is taken from what was learned and added to the proxy-ND table.
- For static and duplicate entries, O=1.

Upon reception, the O flag is processed as follows:

- The O flag is stored in the proxy-ND table, and is used when replying to a received NS message.
- For link-local neighbor advertisements (generated for solicitations to the local chassis MAC) NA messages with O=0 are not learned.
- If an EVPN route is received without the RFC 9047 EC, the entry is installed with the default value of O=1.
- For solicited or unsolicited NA messages, the O flag is O=1 or O=0, depending on the flag in the proxy-ND entry that was previously learned.

## 6.4.8 Displaying proxy-ARP/ND information

### Procedure

You can use **show** commands to display information about the contents of the proxy-ARP table. Similar **show** commands exist for proxy-ND.

#### Example: Display the entire proxy-ARP table

To display all entries in the proxy-ARP table for a MAC-VRF:

```
--{ candidate shared default }--[ ]--
# show network-instance MAC-VRF-1 bridge-table proxy-arp all
-----
Proxy-ARP table of network instance MAC-VRF-1
-----
+-----+-----+-----+-----+-----+-----+
| Neighbor | MAC Address | Type | State | Aging | Last Update |
+-----+-----+-----+-----+-----+-----+
| 10.10.10.1 | 00:CA:FE:CA:FE:01 | dynamic | active | 300 | 2021-12-11T12:48:24.000Z |
| 10.10.10.2 | 00:CA:FE:CA:FE:02 | evpn | active | N/A | 2021-12-11T12:48:24.000Z |
| 10.10.10.3 | 00:CA:FE:CA:FE:03 | duplicate | active | N/A | 2021-12-11T12:48:24.000Z |
+-----+-----+-----+-----+-----+-----+
Total Static Neighbors : 0 Total 0 Active
Total Dynamic Neighbors : 1 Total 1 Active
Total Evpn Neighbors : 1 Total 1 Active
Total Duplicate Neighbors : 1 Total 1 Active
Total Neighbors : 3 Total 3 Active
-----
```

The output of this command indicates the total number of entries of each type, as well as the number that are active (replies are sent for received ARP-requests). For an entry to be considered active in the proxy-ARP table, it must have a corresponding entry in the MAC table of the type listed in the following table:

Table 3: MAC table entry types required for proxy-ARP table entry types to be active

| Proxy-ARP table entry type | MAC table entry type                    |
|----------------------------|---|
| Dynamic                    | Learned                                 |
| Dynamic                    | Static                                  |
| Dynamic                    | EVPN                                    |
| Static                     | Learned                                 |
| Static                     | Static                                  |
| EVPN                       | EVPN (irrespective of the ESI)          |
| EVPN                       | Static or dynamic matching the EVPN ESI |
| Duplicate                  | –                                       |

If a proxy-ARP table entry has a corresponding entry in the MAC table of a type not listed in this table, then the proxy-ARP table entry is considered inactive, so no replies are sent for received ARP-requests. In addition, if the MAC-VRF is not active, its proxy-ARP table entries are not active as well.

#### Example: Display a specific entry in the proxy-ARP table

```
--{ candidate shared default }--[ ]--
# show network-instance MAC-VRF-1 bridge-table proxy-arp neighbor 10.10.10.1
-----
Proxy-ARP table of network instance MAC-VRF-1
-----
Neighbor           : 10.10.10.1
MAC Address        : 00:CA:FE:CA:FE:01
Type               : dynamic
Programming Status : Success
Aging              : 300
Last Update        : 2021-12-11T12:48:24.000Z
Duplicate Detect time : N/A
Hold down time remaining: N/A
-----
```

#### Example: Display a summary of the proxy-ARP table

```
--{ candidate shared default }--[ ]--
# show network-instance * bridge-table proxy-arp summary
-----
Network Instance Proxy-ARP Table Summary
-----
Network Instance: MAC-VRF-1
Total Static Neighbors   :    0 Total    0 Active
Total Dynamic Neighbors  :    1 Total    1 Active
Total Evpn Neighbors     :    1 Total    1 Active
Total Duplicate Neighbors :    1 Total    1 Active
Total Neighbors          :    3 Total    3 Active
Maximum Entries         : 250
Warning Threshold: 95% (237)
Clear Warning           : 90% (225)
-----
```

```

Network Instance: MAC-VRF-2
Total Static Neighbors      :    1 Total    1 Active
Total Dynamic Neighbors    :    1 Total    1 Active
Total Evpn Neighbors       :    0 Total    0 Active
Total Duplicate Neighbors  :    0 Total    0 Active
Total Neighbors            :    2 Total    2 Active
Maximum Entries           : 250
Warning Threshold: 95% (237)
Clear Warning              : 90% (225)
-----

```

```

-----
Total Static Neighbors      :    1 Total    1 Active
Total Dynamic Neighbors    :    2 Total    2 Active
Total Evpn Neighbors       :    1 Total    1 Active
Total Duplicate Neighbors  :    1 Total    1 Active
Total Neighbors            :    5 Total    5 Active
-----

```

## 6.4.9 Displaying proxy-ARP/ND statistics

### Procedure

To display proxy-ARP statistics, use the **info from state** command in candidate or running mode, or the **info** command in state mode. You can display system-wide statistics or statistics for a specific MAC-VRF network-instance.

### Example: Display proxy-ARP statistics

The following example displays proxy-ARP statistics for a MAC-VRF network-instance:

```

--{ candidate shared default }--[ ]--
# info from state network-instance MAC-VRF-1 bridge-table proxy-arp statistics
network-instance MAC-VRF-1 {
  bridge-table {
    proxy-arp {
      statistics {
        total-entries 0
        active-entries 0
        in-active-entries 0
        pending-entries 0
        neighbor-origin {
          origin
          total-entries 0
          active-entries 0
          in-active-entries 0
          pending-entries 0
        }
      }
    }
  }
}

```

### Example: Display proxy-ND statistics

The following example displays proxy-ND statistics for a MAC-VRF network-instance:

```

--{ candidate shared default }--[ ]--
# info from state network-instance MAC-VRF-1 bridge-table proxy-nd statistics
network-instance MAC-VRF-1 {
  bridge-table {
    proxy-nd {

```

```
statistics {
  total-entries 0
  active-entries 0
  in-active-entries 0
  pending-entries 0
  neighbor-origin {
    origin
    total-entries 0
    active-entries 0
    in-active-entries 0
    pending-entries 0
  }
}
}
```

## 7 EVPN for VXLAN tunnels (Layer 3)

This chapter describes the components of EVPN-VXLAN Layer 3 on SR Linux.

- [EVPN L3 basic configuration](#)
- [Anycast gateways](#)
- [EVPN L3 multi-homing and anycast gateways](#)
- [EVPN L3 host route mobility](#)
- [EVPN IFL interoperability with EVPN IFF](#)
- [VIP discovery for redundant servers](#)
- [Layer 3 proxy-ARP/ND](#)

### 7.1 EVPN L3 basic configuration

The basic EVPN Layer 3 configuration model builds on the model for EVPN routes described in [EVPN for VXLAN tunnels \(Layer 2\)](#), extending it with an additional route type to support inter-subnet forwarding: EVPN IP prefix route (or type 5, RT5).

The EVPN IP prefix route conveys IP prefixes of any length and family that need to be installed in the ip-vrfs of remote leaf nodes. The EVPN Layer 3 configuration model has two modes of operation:

- Asymmetric IRB

This is a basic mode of operation EVPN L3 using IRB interfaces. The term "asymmetric" refers to how there are more lookups performed at the ingress leaf than at the egress leaf (as opposed to "symmetric", which implies the same number of lookups at ingress and egress).

While the asymmetric model allows inter-subnet-forwarding in EVPN-VXLAN networks in a very simple way, it requires the instantiation of all the mac-vrfs of all the tenant subnets on all the leafs attached to the tenant. Because all the mac-vrfs of the tenant are instantiated, FDB and ARP entries are consumed for all the hosts in all the leafs of the tenant.

These scale implications may make the symmetric model a better choice for data center deployment.

- Symmetric IRB

The term "symmetric" refers to how MAC and IP lookups are needed at ingress, and MAC and IP lookups are performed at egress.

SR Linux support for symmetric IRB includes the prefix routing model using RT5s as in draft-ietf-bess-evpn-prefix-advertisement, including the interface-less ip-vrf-to-ip-vrf model (IFL model) :

Compared to the asymmetric model, the symmetric model scales better because hosts' ARP and FDB entries are installed only on the directly attached leafs and not on all the leafs of the tenant.

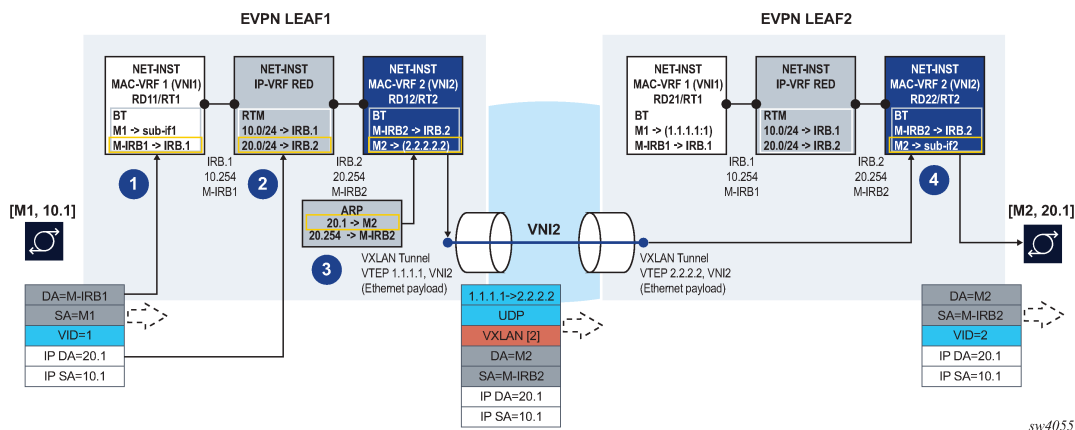
The following sections illustrate asymmetric and symmetric interface-less forwarding configurations.

## 7.1.1 Asymmetric IRB

The asymmetric IRB model is the basic Layer 3 forwarding model when the ip-vrf (or default network-instance) interfaces are all IRB-based. The asymmetric model assumes that all the subnets of a tenant are local in the ip-vrf/default route table, so there is no need to advertise EVPN RT5 routes.

Figure 7: EVPN-VXLAN L3 asymmetric forwarding illustrates the asymmetric IRB model.

Figure 7: EVPN-VXLAN L3 asymmetric forwarding



In this example, the host with IP address 10.1 (abbreviation of 10.0.0.1) sends a unicast packet with destination 20.1 (a host in a different subnet and remote leaf). Because the IP destination address (DA) is in a remote subnet, the MAC DA is resolved to the local default gateway MAC, M-IRB1. The frame is classified for MAC lookup on mac-vrf 1, and the result is IRB.1, which indicates that an IP DA lookup is required in ip-vrf red.

An IP DA longest-prefix match in the route table yields IRB.2, a local IRB interface, so an ARP and MAC DA lookup are required in the corresponding IRB interface and mac-vrf bridge table.

The ARP lookup yields M2 on mac-vrf 2, and the M2 lookup yields VXLAN destination [VTEP:VNI]=[2.2.2.2:2]. The routed packet is encapsulated with the corresponding inner MAC header and VXLAN encapsulation before being sent to the wire.

In the asymmetric IRB model, if the ingress leaf routes the traffic via the IRB to a local subnet, and the destination MAC is aliased to multiple leaf nodes in the same ES destination, SR Linux can do load balancing on a per-flow basis.

EVPN Leaf 1 in Figure 7: EVPN-VXLAN L3 asymmetric forwarding has the following configuration:

```
--{ [FACTORY] + candidate shared default }--[ ]--
interface ethernet-1/2 {
  admin-state enable
  vlan-tagging true
  subinterface 1 {
    type bridged
    admin-state enable
    vlan {
      encaps {
        single-tagged {
          vlan-id 1
        }
      }
    }
  }
}
```

```

    }
  }
  interface irb0 {
    subinterface 1 {
      ipv4 {
        address 10.0.0.254/24 {
          anycast-gw true
        }
      }
      anycast-gw {
      }
    }
    subinterface 2 {
      ipv4 {
        address 20.0.0.254/24 {
          anycast-gw true
        }
      }
      anycast-gw {
      }
    }
  }
}
network-instance ip-vrf-red {
  type ip-vrf
  interface irb0.1 {
  }
  interface irb0.2 {
  }
}
network-instance mac-vrf-1 {
  type mac-vrf
  admin-state enable
  interface ethernet-1/2.1 {
  }
  interface irb0.1 {
  }
  vxlan-interface vxlan1.1 {
  }
  protocols {
    bgp-evpn {
      bgp-instance 1 {
        admin-state enable
        vxlan-interface vxlan1.1
        evi 1
      }
    }
    bgp-vpn {
    }
  }
}
network-instance mac-vrf-2 {
  type mac-vrf
  admin-state enable
  interface irb0.2 {
  }
  vxlan-interface vxlan1.2 {
  }
  protocols {
    bgp-evpn {
      bgp-instance 1 {
        admin-state enable
        vxlan-interface vxlan1.2
        evi 2
      }
    }
  }
}

```



```

    }
    bgp-vpn {
    }
  }
}
tunnel-interface vxlan1 {
  vxlan-interface 1 {
    type bridged
    ingress {
      vni 1
    }
  }
  vxlan-interface 2 {
    type bridged
    ingress {
      vni 2
    }
  }
}
}
}

```

EVPN Leaf 2 in [Figure 7: EVPN-VXLAN L3 asymmetric forwarding](#) has the following configuration:

```

--{ [FACTORY] + candidate shared default }--[ ]--
A:LEAF2# info
  interface ethernet-1/12 {
    admin-state enable
    vlan-tagging true
    subinterface 1 {
      type bridged
      admin-state enable
      vlan {
        encap {
          single-tagged {
            vlan-id 2
          }
        }
      }
    }
  }
}
interface irb0 {
  subinterface 1 {
    ipv4 {
      address 10.0.0.254/24 {
        anycast-gw true
      }
    }
    anycast-gw {
    }
  }
  subinterface 2 {
    ipv4 {
      address 20.0.0.254/24 {
        anycast-gw true
      }
    }
    anycast-gw {
    }
  }
}
network-instance ip-vrf-red {
  type ip-vrf
  interface irb0.1 {
  }
}

```

```

    interface irb0.2 {
    }
}
network-instance mac-vrf-1 {
  type mac-vrf
  admin-state enable
  interface irb0.1 {
  }
  vxlan-interface vxlan1.1 {
  }
  protocols {
    bgp-evpn {
      bgp-instance 1 {
        admin-state enable
        vxlan-interface vxlan1.1
        evi 1
      }
    }
    bgp-vpn {
    }
  }
}
network-instance mac-vrf-2 {
  type mac-vrf
  admin-state enable
  interface irb0.2 {
  }
  vxlan-interface vxlan1.2 {
  }
  protocols {
    bgp-evpn {
      bgp-instance 1 {
        admin-state enable
        vxlan-interface vxlan1.2
        evi 2
      }
    }
    bgp-vpn {
    }
  }
}
}
tunnel-interface vxlan1 {
  vxlan-interface 1 {
    type bridged
    ingress {
      vni 1
    }
  }
  vxlan-interface 2 {
    type bridged
    ingress {
      vni 2
    }
  }
}
}

```

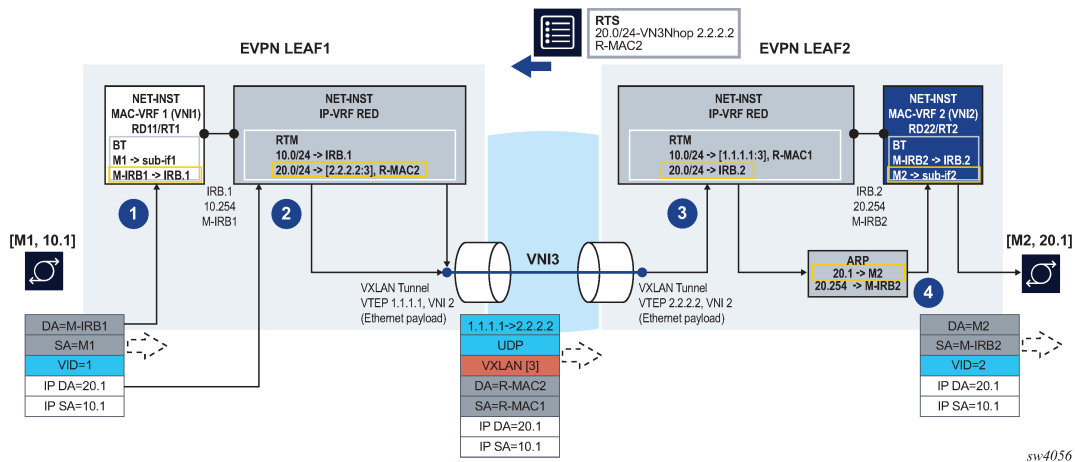
### 7.1.2 Symmetric IRB interface-less IP-VRF-to-IP-VRF model

SR Linux support for symmetric IRB is based on the prefix routing model using RT5s, and implements the EVPN interface-less (EVPN IFL) ip-vrf-to-ip-vrf model.

In the EVPN IFL model, all interface and local routes (static, ARP-ND, BGP, and so on) are automatically advertised in RT5s without the need for any export policy. Interface host and broadcast addresses are not advertised. On the ingress PE, RT5s are installed in the route table as indirect with owner "bgp-evpn".

Figure 8: EVPN-VXLAN L3 symmetric forwarding illustrates the forwarding for symmetric IRB.

Figure 8: EVPN-VXLAN L3 symmetric forwarding



As in the asymmetric model, the frame is classified for bridge-table lookup on the mac-vrf and processed for routing in ip-vrf red.

In contrast to the asymmetric model, a longest prefix match does not yield a local subnet, but a remote subnet reachable via [VTEP:VNI]=[2.2.2.2:3] and inner MAC DA R-MAC2. SR Linux supports the EVPN interface-less (EVPN IFL) model, so that information is found in the ip-vrf route-table directly; a route lookup on the ip-vrf-red route-table yields a VXLAN tunnel and VNI.

- Packets are encapsulated with an inner Ethernet header and the VXLAN tunnel encapsulation.
- The inner Ethernet header uses the system-mac as MAC source address (SA), and the MAC advertised along with the received RT5 as MAC DA. No VLAN tag is transmitted or received in this inner Ethernet header.

At the egress PE, the packet is classified for an IP lookup on the ip-vrf red (the inner Ethernet header is ignored).

The inner and outer IP headers are updated as follows:

- The inner IP header TTL is decremented.
- The outer IP header TTL is set to 255.
- The outer DSCP value is marked as described in [QoS for VXLAN tunnels](#).
- No IP MTU check is performed before or after encapsulation.

Because SR Linux supports EVPN IFL, the IP lookup in the ip-vrf-red route-table yields a local IRB interface.

Subsequent ARP and MAC lookups provide the information to send the routed frame to subinterface 2.

EVPN Leaf 1 in [Figure 8: EVPN-VXLAN L3 symmetric forwarding](#) has the following configuration:

```
--{ [FACTORY] + candidate shared default }--[ ]--
  interface ethernet-1/2 {
    admin-state enable
```

```

vlan-tagging true
subinterface 1 {
  type bridged
  admin-state enable
  vlan {
    encap {
      single-tagged {
        vlan-id 1
      }
    }
  }
}
}
interface irb0 {
  subinterface 1 {
    ipv4 {
      address 10.0.0.254/24 {
        anycast-gw true
      }
    }
    anycast-gw {
    }
  }
}
network-instance ip-vrf-red {
  type ip-vrf
  interface irb0.1 {
  }
  vxlan-interface vxlan1.3 {
  }
  protocols {
    bgp-evpn {
      bgp-instance 1 {
        admin-state enable
        vxlan-interface vxlan1.3
        evi 3
      }
    }
    bgp-vpn {
    }
  }
}
network-instance mac-vrf-1 {
  type mac-vrf
  admin-state enable
  interface ethernet-1/2.1 {
  }
  interface irb0.1 {
  }
  vxlan-interface vxlan1.1 {
  }
  protocols {
    bgp-evpn {
      bgp-instance 1 {
        admin-state enable
        vxlan-interface vxlan1.1
        evi 1
      }
    }
    bgp-vpn {
    }
  }
}
tunnel-interface vxlan1 {

```

```

vxlan-interface 1 {
    type bridged
    ingress {
        vni 1
    }
}
vxlan-interface 3 {
    type routed
    ingress {
        vni 3
    }
}
}

```

EVPN Leaf 2 in [Figure 8: EVPN-VXLAN L3 symmetric forwarding](#) has the following configuration:

```

--{ [FACTORY] + candidate shared default }--[ ]--
interface ethernet-1/12 {
    admin-state enable
    vlan-tagging true
    subinterface 2 {
        type bridged
        admin-state enable
        vlan {
            encap {
                single-tagged {
                    vlan-id 2
                }
            }
        }
    }
}
interface irb0 {
    subinterface 2 {
        ipv4 {
            address 20.0.0.254/24 {
                anycast-gw true
            }
        }
        anycast-gw {
        }
    }
}
network-instance ip-vrf-red {
    type ip-vrf
    interface irb0.2 {
    }
    vxlan-interface vxlan1.3 {
    }
    protocols {
        bgp-evpn {
            bgp-instance 1 {
                admin-state enable
                vxlan-interface vxlan1.3
                evi 3
            }
        }
        bgp-vpn {
        }
    }
}
network-instance mac-vrf-2 {
    type mac-vrf
}

```

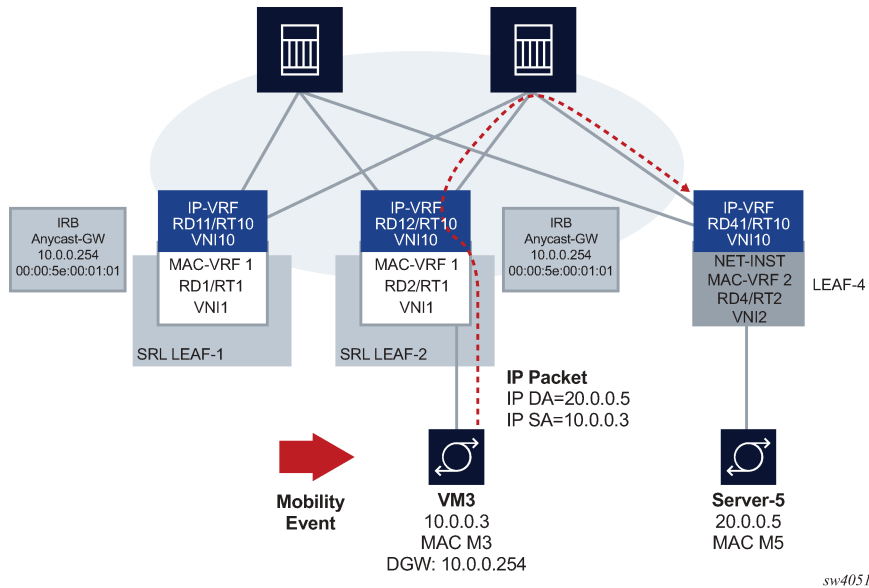
```
admin-state enable
interface ethernet-1/12.2 {
}
interface irb0.2 {
}
vxlan-interface vxlan1.2 {
}
protocols {
  bgp-evpn {
    bgp-instance 1 {
      admin-state enable
      vxlan-interface vxlan1.2
      evi 2
    }
  }
  bgp-vpn {
  }
}
}
tunnel-interface vxlan1 {
  vxlan-interface 2 {
    type bridged
    ingress {
      vni 2
    }
  }
  vxlan-interface 3 {
    type routed
    ingress {
      vni 3
    }
  }
}
}
```

## 7.2 Anycast gateways

Anycast gateways (anycast-GWs) are a common way to configure IRB subinterfaces in DC leaf nodes. Configuring anycast-GW IRB subinterfaces on all leaf nodes of the same BD avoids tromboning for upstream traffic from hosts moving between leaf nodes.

[Figure 9: Anycast-GW IRB configuration](#) shows an example anycast-GW IRB configuration.

Figure 9: Anycast-GW IRB configuration



Anycast-GWs allow configuration of the same IP and MAC addresses on the IRB interfaces of all leaf switches attached to the same BD; for example, SRL LEAF-1 and SRL LEAF-2 in [Figure 9: Anycast-GW IRB configuration](#) above. This optimizes the south-north forwarding because a host's default gateway always belongs to the connected leaf, irrespective of the host moving between leaf switches; for example VM3 moving from SRL LEAF-1 to SRL LEAF-2 in the figure.

When an IRB subinterface is configured as an anycast-gw, it must have one IP address configured as "anycast-gw". The subinterface may or may not have other non-anycast-gw IP addresses configured.

To simplify provisioning, an option to automatically derive the anycast-gw MAC is supported, as described in draft-ietf-bess-evpn-inter-subnet-forwarding. The auto-derivation uses a virtual-router-id similar to MAC auto-derivation in RFC 5798 (VRRP). Anycast GWs use a default virtual-router-id of 01 (if not explicitly configured). Because only one anycast-gw-mac per IRB sub-interface is supported, the anycast-gwmac for IPv4 and IPv6 is the same in the IRB sub-interface.

The following is an example configuration for an anycast-GW subinterface:

```
// Configuration Example of an anycast-gw IRB sub-interface

[interface irb1 subinterface 1 ]
A:leaf-1/2# info
  ipv4 {
    address 10.0.0.254/24 {
      primary true
      anycast-gw true
    }
  }
  anycast-gw {
    virtual-router-id 2
  }

// State Example of an anycast-gw IRB sub-interface

[interface irb1 subinterface 1 ]
A:leaf-1/2# info from state
  ipv4 {
```

```
address 10.0.0.254/24 {
  primary true
  anycast-gw true
}
anycast-gw {
  virtual-router-id 2
  anycast-gw-mac 00:00:5e:00:01:02
  anycast-gw-mac-origin auto-derived
}
```

The **anycast-gw true** command designates the associated IP address as an anycast-GW address of the subinterface and associates the IP address with the **anycast-gw-mac** address in the same sub-interface. ARP requests or Neighbor Solicitations received for the anycast-GW IP address are replied using the **anycast-gw-mac** address, as opposed to the regular system-derived MAC address. Similarly, CPM-originated GARPs or unsolicited neighbor advertisements sent for the anycast-gw IP address use the **anycast-gw-mac** address as well. Packets routed to the IRB use the **anycast-gw-mac** as the SA in Ethernet header.

All IP addresses of the IRB subinterface and their associated MACs are advertised in MAC/IP routes with the static flag set. The non-anycast-gw IPs are advertised along with the interface hardware MAC address, and the anycast-gw IP addresses along with the anycast-gw-mac address.

In addition, the **anycast-gw true** command makes the system skip the ARP/ND duplicate-address-detection procedures for the anycast-GW IP address.

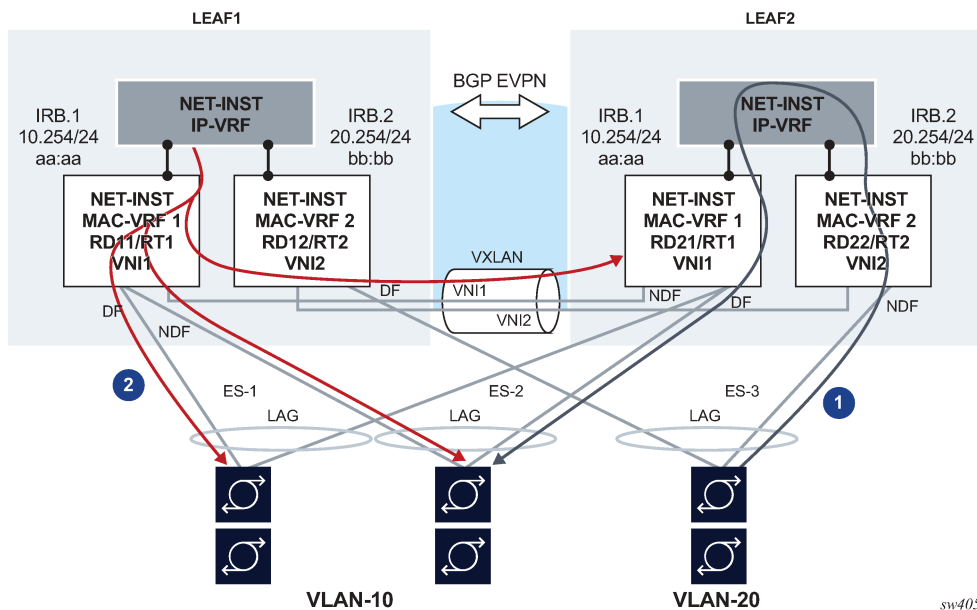
## 7.3 EVPN L3 multi-homing and anycast gateways

In an EVPN L3 scenario, all IRB interfaces facing the hosts must have the same IP address and MAC; that is, an anycast-GW configuration. This avoids inefficiencies for all-active multi-homing or speeds up convergence for host mobility.

The use of anycast-GW along with all-active multi-homing is illustrated in [Figure 10: EVPN-VXLAN L3 model – multi-homing and anycast gateway](#).



Figure 10: EVPN-VXLAN L3 model – multi-homing and anycast gateway



In this example:

1. Routed unicast traffic is always routed to the directly connected leaf (no tromboning).
2. BUM traffic sent from the IRB interface is sent to all DF and NDF subinterfaces (similar to BUM entering a subinterface).

This applies to:

- System-generated unknown or bcast
- ARP requests and GARPs
- Unicast with unknown MAC DA

When a host connected to ES-3 sends a unicast flow to be routed in the ip-vrf, the flow must be routed in the leaf receiving the traffic, irrespective of the server hashing the flow to Leaf-1 or Leaf-2. To do this, the host is configured with only one default gateway, 20.254/24. When the host ARPs for it, it does not matter if the ARP request is sent to Leaf-1 or Leaf-2. Either leaf replies with the same anycast-GW MAC, and when receiving the traffic either leaf can route the packet.

This scenario is supported on ip-vrf network-instances and the default network-instance.



**Note:**

When IRB subinterfaces are attached to MAC-VRF network-instances with all-active multi-homing Ethernet Segments, the `arp timeout / neighbor-discovery stale-time` settings on the IRB subinterface should be set to a value that is 30 seconds lower than the `age-time` configured in the MAC-VRF. This avoids transient packet loss situations triggered by the MAC address of an active ARP/ND entry being removed from the MAC table.

## 7.4 EVPN L3 host route mobility

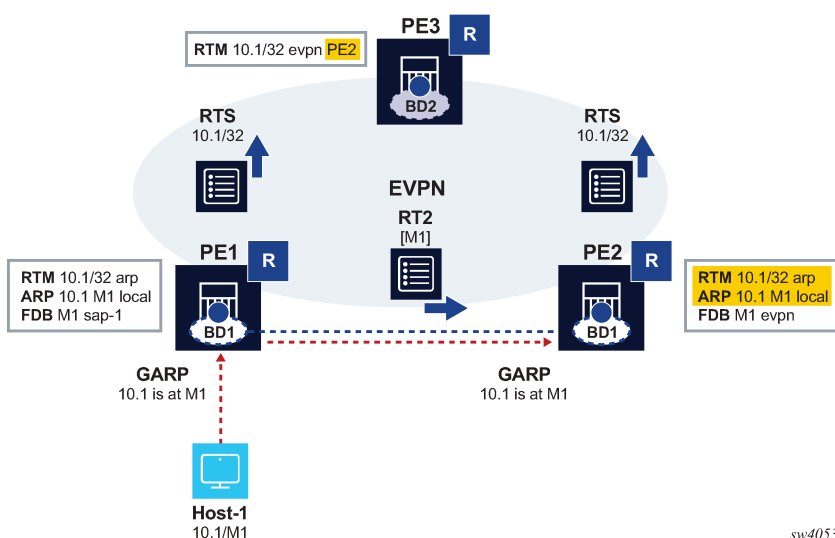
EVPN host route mobility refers to the procedures that allow the following:

- Learning ARP/ND entries out of unsolicited messages from hosts
- Generating host routes out of those ARP/ND entries
- Refreshing the entries when mobility events occur within the same BD.

EVPN host route mobility is part of basic EVPN Layer 3 functionality as defined in draft-ietf-bess-evpn-inter-subnet-forwarding.

Figure 11: EVPN host route mobility illustrates EVPN host route mobility.

Figure 11: EVPN host route mobility



In Figure 11: EVPN host route mobility a host is attached to PE1, so all traffic from PE3 to that host must be forwarded directly to PE1. When the host moves to PE2, all the tables must be immediately updated so that PE3 sends the traffic to PE2. EVPN host route mobility works by doing the following:

1. Snooping and learning ARP/ND entries for hosts upon receiving unsolicited GARP or NA messages.
2. Creating host routes out of those dynamic ARP/ND entries. These routes only exist in the control plane and are not installed in the forwarding plane to avoid FIB exhaustion with too many /32 or /128 host routes.
3. Advertising the locally learned ARP/ND entries in MAC/IP routes so that ARP/ND caches can be synchronized across leaf nodes.
4. Advertising the host routes as IP prefix routes.
5. Triggering ARP/ND refresh messages for changes in the ARP/ND table or MAC table for a specific IP, which allows updating the tables without depending on the ARP/ND aging timers (which can be hours long).

The following configuration enables an anycast-GW IRB subinterface to support mobility procedures:

```
// Example of the configuration of host route mobility features
--{ candidate shared default }--[ interface irb1 subinterface 1 ]--
```

```

A:~# info
  ipv4 {
    address 10.0.0.254/24 {
      anycast-gw true
      primary
    }
    arp {
      learn-unsolicited true
      host-route {
        populate static
        populate dynamic
      }
      evpn {
        advertise static
        advertise dynamic
      }
    }
  }
  ipv6 {
    address 200::254/64 {
      anycast-gw true
      primary
    }
    neighbor-discovery {
      learn-unsolicited true
      host-route {
        populate static
        populate dynamic
      }
      evpn {
        advertise static
        advertise dynamic
      }
    }
  }
  anycast-gw {
  }
--{ candidate shared default }--[ interface irb1 subinterface 1 ]--
# info from state
  admin-state enable
  ip-mtu 1500
  name irb1.1
  ifindex 1082146818
  oper-state up
  last-change "a minute ago"
  ipv4 {
    allow-directed-broadcast false
    address 10.0.0.254/24 {
      anycast-gw true
      origin static
    }
    arp {
      duplicate-address-detection true
      timeout 14400
      learn-unsolicited true
      host-route {
        populate static
        populate dynamic
      }
    }
  }
  ipv6 {
    address 200::254/64 {

```

```

    anycast-gw true
    origin static
    status unknown
  }
  address fe80::201:1ff:feff:42/64 {
    origin link-layer
    status unknown
  }
  neighbor-discovery {
    duplicate-address-detection true
    reachable-time 30
    stale-time 14400
    learn-unsolicited both
    host-route {
      populate static
      populate dynamic
    }
  }
  router-advertisement {
    router-role {
      current-hop-limit 64
      managed-configuration-flag false
      other-configuration-flag false
      max-advertisement-interval 600
      min-advertisement-interval 200
      reachable-time 0
      retransmit-time 0
      router-lifetime 1800
    }
  }
}
anycast-gw {
  virtual-router-id 1
  anycast-gw-mac 00:00:5E:00:01:01
  anycast-gw-mac-origin vrid-auto-derived
}
...

```

In this configuration, when `learn-unsolicited` is set to `true`, the node processes all solicited and unsolicited ARP/ND flooded messages received on subinterfaces (no VXLAN) and learns the corresponding ARP/ND entries as dynamic. By default, this setting is `false`, so only solicited entries are learned by default.

The advertisement of EVPN MAC/IP routes for the learned ARP entries must be enabled/disabled by configuration; it is disabled by default. In the example above, this is configured with the `advertise dynamic` and `advertise static` settings.

The creation of host routes in the `ip-vrf` route table out of the dynamic or static ARP entries can be enabled/disabled by configuration; it is disabled by default. In the example above, this is configured with the `host-route populate dynamic` and `host-route populate static` settings.

The dynamic ARP entries are refreshed without any extra configuration. The system sends ARP requests for the dynamic entries to make sure the hosts are still alive and connected.

## 7.5 EVPN IFL interoperability with EVPN IFF

By default, the SR Linux EVPN IFL (interface-less) model, described in [Symmetric IRB interface-less IP-VRF-to-IP-VRF model](#), does not interoperate with the EVPN IFF (interface-ful) model, as supported on

Nuage WBX devices. However, it is possible to configure the SR Linux EVPN IFL model to interoperate with the EVPN IFF model.

To do this, configure the **advertise-gateway-mac** command for the ip-vrf network-instance. When this command is configured, the node advertises a MAC/IP route using the following:

- The gateway-mac for the ip-vrf (that is, the system-mac)
- The RD/RT, next-hop, and VNI of the ip-vrf where the command is configured
- Null IP address, ESI or Ethernet Tag ID

Nuage WBX devices support two EVPN L3 IPv6 modes: IFF unnumbered and IFF numbered. The SR Linux interoperability mode enabled by the **advertise-gateway-mac** command only works with Nuage WBX devices that use the EVPN IFF unnumbered model. This is because the EVPN IFL and EVPN IFF unnumbered models both use the same format in the IP prefix route, and they differ only in the additional MAC/IP route for the gateway-mac. The EVPN IFL and EVPN IFF numbered models have different IP prefix route formats, so they cannot interoperate.

The following example enables interoperability with the Nuage EVPN IFF unnumbered model:

```
--{ [FACTORY] + candidate shared default }--[ ]--
# info from state network-instance protocols bgp-vpn
  bgp-evpn {
    bgp-instance 1 {
      admin-state enable
      vxlan-interface vxlan1.2
      routes {
        route-table {
          mac-ip {
            advertise-gateway-mac true
          }
        }
      }
    }
  }
}
```

## 7.6 VIP discovery for redundant servers

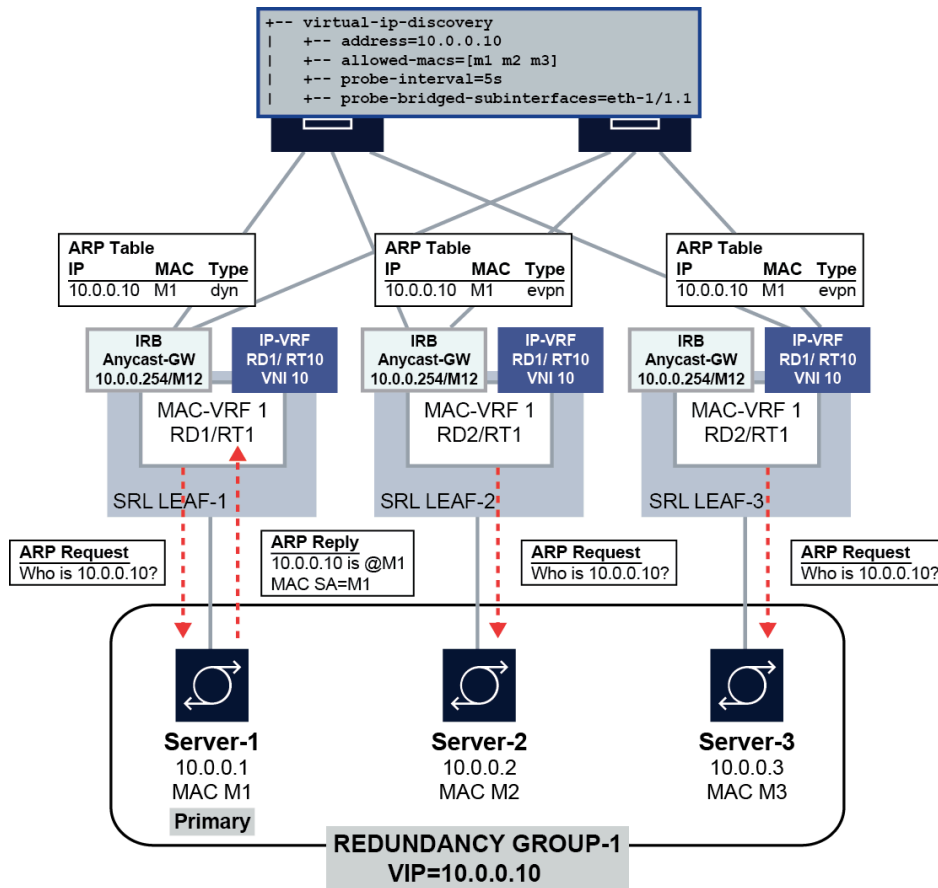
In data centers, it is common to have clusters of servers sharing the same IP address and working in an active-standby mode, so that only one of the servers in the cluster is active at a time. This shared IP address is known as a virtual IP (VIP) address. SR Linux can discover which server in the cluster owns the VIP address.

ARP requests (NS for IPv6) from a leaf node or gratuitous ARP (unsolicited NA for IPv6) from a server are used to discover which host owns the VIP. Among the servers sharing the VIP, only the active one either sends a gratuitous ARP (or unsolicited NA) or replies to the ARP request (NS) from the leaf node. If a server does not send a gratuitous ARP, you can optionally configure SR Linux to send ARP requests periodically at a specified probe interval.

The leaf nodes create entries in their ARP tables that map the VIP to the MAC address of the active server. You can optionally configure a list of allowed MAC addresses so that the ARP/ND entry for the VIP is created only if the reply from the server comes from one of the MACs on the allowed list.

[Figure 12: VIP discovery for the active server in a server group](#) illustrates a configuration where three SR Linux devices in a MAC-VRF are connected to a redundant server group.

Figure 12: VIP discovery for the active server in a server group



In this configuration, the SR Linux devices (SRL LEAF-1/2/3) start sending ARP requests for the VIP 10.10.10.10 on the ethernet 1/1.1 subinterface every 5 seconds until the ARP entry for the VIP/VMAC is learned. The ARP entry is created only if the MAC address matches one of the allowed MACs: M1, M2, or M3.

Initially Server-1 is the primary server in the server group, and it responds to the ARP request from Leaf-1, causing the server's MAC address M1 to be added to the ARP table on the SR Linux devices for VIP 10.10.10.10. If Server-2 (MAC M2) becomes the primary server, it sends out a gratuitous ARP message (or responds to an ARP request from LEAF-2), which triggers an update of the ARP table on Leaf-2 and a MAC/IP route update with 10.10.10.10/M2. When Leaf-1 receives the update, it updates its ARP table immediately with the new entry.

VIP discovery is supported on single-homed and multi-homed subinterfaces. For all-active multi-homing, and based on the local-bias behavior, the ARP/ND probes are sent to all ES subinterfaces irrespective of their DF state. When the active server replies, the MAC/IP route is synchronized in the other ES peers based on the functionality described in [EVPN L3 host route mobility](#).

## 7.6.1 Configuring VIP discovery

### Procedure

To configure VIP discovery for an IRB interface, you specify the bridged subinterfaces that can be sent probe messages (ARP requests) for the VIP, optionally a probe interval that determines how often the probe messages are sent, and optionally a list of allowed MAC addresses that indicate the MAC addresses of the servers in the group.

### Example: Configure VIP discovery for IPv4

```
--{ candidate shared default }--[ ]--
# info interface irb1 subinterface 1 ipv4 arp
interface irb1 {
  subinterface 1 {
    ipv4 {
      arp {
        virtual-ipv4-discovery {
          address 10.10.10.10 {
            probe-bridged-subinterfaces [
              ethernet-1/1.1
            ]
            probe-interval 5
            allowed-macs [
              00:14:9C:78:E2:E1
              00:14:9C:78:E2:E2
              00:14:9C:78:E2:E3
            ]
          }
        }
      }
    }
  }
}
}
```

### Example: Configure VIP discovery for IPv6

```
--{ candidate shared default }--[ ]--
# info interface irb1 subinterface 1 ipv6 neighbor-discovery
interface irb1 {
  subinterface 1 {
    ipv6 {
      neighbor-discovery {
        virtual-ipv6-discovery {
          address 2001::10:10:10:10 {
            probe-interval 5
            allowed-macs [
              00:14:9C:78:E2:E1
              00:14:9C:78:E2:E2
              00:14:9C:78:E2:E3
            ]
            probe-bridged-subinterfaces [
              ethernet-1/1.1
            ]
          }
        }
      }
    }
  }
}
}
```

In this configuration, SR Linux starts sending ARP requests for VIP 10.10.10.10 (**address** parameter) on the ethernet 1/1.1 subinterface (**probe-bridged-subinterfaces** parameter) every 5 seconds (**probe-interval** parameter) so that the ARP entry for the VIP/VMAC is learned. The ARP entry is created only if the MAC address matches one of the MACs in the allowed list (**allowed-macs** parameter).

Up to 10 subinterfaces can be specified in the **probe-bridged-subinterfaces** list. The probe messages are sent only to the subinterfaces in this list. If no subinterfaces are specified in the list, no probe messages are sent.

The default **probe-interval** is 0, meaning that periodic probe messages are not sent by default. However regardless of the **probe-interval** setting, a probe message is sent to the subinterfaces in the **probe-bridged-subinterfaces** list whenever the following occur:

- The VIP is configured.
- When the IRB interface becomes operationally up (when the prefix becomes preferred).
- When the ARP/ND entry corresponding to the VIP moves from type dynamic to type EVPN, or from type dynamic to type dynamic (changing to a different MAC).
- When subinterfaces in the **probe-bridged-subinterfaces** list become operationally up.
- When the arpd\_mgr application restarts.
- When the **allowed-macs** list, **probe-interval**, or **probe-bridged-subinterfaces** list changes.

When the **probe-interval** is set to a non-zero value, SR Linux keeps probing for the VIP continuously, even after the ARP/ND entry for the VIP is created.

Up to 10 MAC addresses can be specified in the **allowed-macs** list. The ARP/ND entry for the VIP is created only if the resolving MAC address corresponds to one of the MAC addresses in the list. If no MAC addresses are specified in the list, any resolving MAC is valid for the creation of the ARP/ND entry. When a MAC address included in the **allowed-macs** list is used in an existing ARP/ND entry, and the MAC is removed from the list, the ARP/ND entry is deleted.

## 7.6.2 Displaying VIP discovery information

### Procedure

You can display the number of probe packets sent by the SR Linux device using the **info from state** command. Statistics are displayed for probe packets on individual VIPs and the total number of probe packets for all VIPs configured for the subinterface.

### Example

```
--{ candidate shared default }--[ ]--
# info from state interface irb1 subinterface 1 ipv4 arp
interface irb1 {
  subinterface 1 {
    ipv4 {
      arp {
        virtual-ipv4-discovery {
          address 10.10.10.10 {
            probe-bridged-subinterfaces [
              ethernet-1/1.1
            ]
            probe-interval 5
            allowed-macs [
              00:14:9C:78:E2:E1
            ]
          }
        }
      }
    }
  }
}
```



```
00:14:9C:78:E2:E2
00:14:9C:78:E2:E3
]
statistics {
  out-probe-packets 100
}
statistics {
  out-total-probe-packets 100
}
}
}
}
}
```

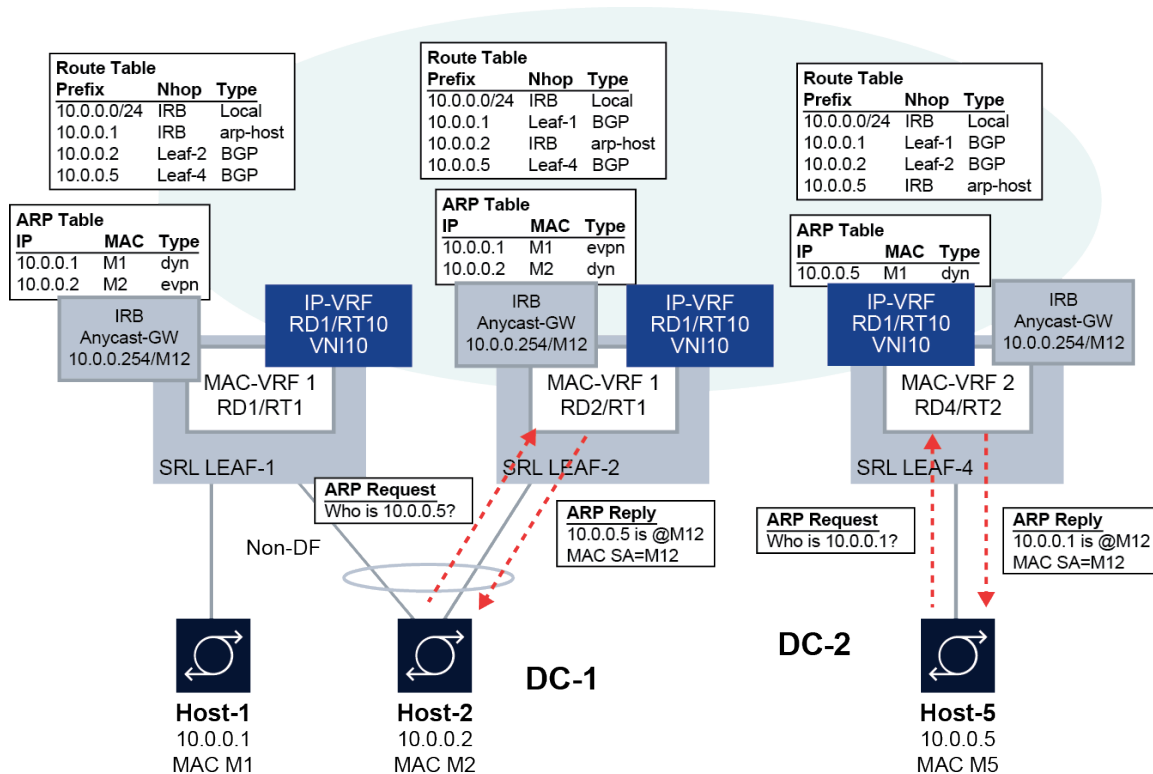
## 7.7 Layer 3 proxy-ARP/ND

Layer 3 proxy-ARP/ND configures the router to reply with its own MAC to ARP-requests and Neighbor Solicitations (NS) destined for any host. This feature is intended for the following use cases:

- Deployments that use a Layer 3 multi-homing solution, but are unable to run EVPN, Ethernet Segments or VXLAN.
- Virtual subnet scenarios, where leaf nodes are attached to different broadcast domains (BDs), but the hosts connected to them are part of the same subnet. [RFC 7814](#) describes this kind of solution.

[Figure 13: Layer 3 Proxy ARP/ND](#) shows an example virtual subnet configuration that uses this feature.

Figure 13: Layer 3 Proxy ARP/ND



In this example, SR Linux Leaf-1/Leaf-2 and SR Linux-4 are attached to different BDs; however, the hosts connected to them are part of the same subnet. This kind of configuration is typically used in scenarios where the BDs are kept deliberately small, while hosts of the same subnet can be part of more than one of the BDs. This is the case described in [RFC 7814](#).

Layer 3 proxy-ARP/ND triggers the router to reply to any ARP-request or NS from hosts, so that the traffic is attracted to the IRB subinterface and forwarded by the router to a destination on the same subinterface (from which the request came) or a different subinterface or route.

Layer 3 proxy-ARP/ND is intended to be used along with the `learn-unsolicited` and `host-route-populate` features, so that ARP/ND entries are generated and host routes created out of them and advertised by the routing protocol enabled in the routing network-instance (default or ip-vrf).

This feature is supported on IRB and other Layer 3 subinterfaces. EVPN may or may not be enabled on the attached MAC-VRF. The subinterfaces can be attached to an IP-VRF or the default network-instance.

Note that the virtual subnet expansion enabled by this feature only works for unicast IP traffic with TTL>1 between hosts in different BDs.

### 7.7.1 Layer 3 proxy-ARP

When Layer 3 proxy-ARP is enabled, all ARP-requests are copied to the CPM and replied using the `anycast-gw` MAC, if configured; otherwise, the `interface hw-mac-address` MAC is used. This is irrespective of the target IP address of the ARP-request being in the ARP table or in the route-table.

The system does not reply to Gratuitous ARP (GARP) requests, where the ARP Sender Protocol Address and ARP Target Protocol Address are both set to the IP address of the cache entry to be updated.

When Layer 3 proxy-ARP is enabled, the router replies to any ARP-request unconditionally if received over a bridged subinterface. If the ARP-request is received over VXLAN, the router replies only if the ARP-request is targeted to its own IP; if it is targeted to a non-local IP on the IRB, the ARP-request is flooded to local bridged subinterfaces (changing the source MAC and IP with the local ones).

If the original ARP-request came on a bridged subinterface, and the target IP has not been learned on the subinterface yet, the router sends an ARP-request with its own source information to get the target IP learned as soon as possible.

The enabled proxy-ARP behavior attracts all traffic from all the hosts attached to the IRB subinterface that sent an ARP-request for the destination IP address. As a result of this:

- If the received packets have an IP DA with an ARP entry on the same subinterface over which the ARP-request was received, the router forwards the packets to the next-hop indicated by the ARP entry.
- If the received packets have an IP DA with an ARP entry on a different subinterface, the router forwards the packets to the next-hop indicated by the ARP entry.
- If the received packets have an IP DA with a matching route in the route-table, the router forwards the packets based on the route-table entry.
- Otherwise, the attracted traffic is dropped.

The Layer 3 proxy-ARP feature does not require a route lookup before replying to the received ARP-requests. The received ARP-requests are only copied to CPM; they are not flooded to other objects in the MAC-VRF.

The ICMP redirects generated by XDP CPM are suppressed (for IP packets targeting an IP address within the same subnet).

Received ARP-replies with a DA not equal to the local MAC (if any are received) are forwarded based on a mac-table lookup.

Note that the system verifies the source IP and replies regardless of the target IP (it floods to bridged subinterfaces if received on VXLAN). The command `learn-unsolicited` is required to create an ARP entry.

### 7.7.1.1 Configuring Layer 3 proxy-ARP

#### Procedure

To configure Layer 3 proxy-ARP, enable it on a subinterface.

#### Example

```
--{ candidate shared default }--[ ]--
# info interface ethernet-1/1 subinterface 1 ipv4 arp proxy-arp
  interface ethernet-1/1 {
    subinterface 1 {
      ipv4 {
        arp {
          proxy-arp true
        }
      }
    }
  }
}
```

## 7.7.2 Layer 3 proxy-ND

When Layer 3 proxy-ND is enabled, it functions similarly to Layer 3 proxy-ARP. All NS messages sent to the Solicited-Node multicast address [ff02::1:ff][low-3-bytes-unicast-ip] are copied to CPM, and all of the NS messages are replied using the anycast-gw MAC, if configured (or interface hw-mac-address otherwise), without any route lookup.

Received NS messages are only copied to CPM and not flooded in the BD. In this way, the feature provides an implicit ND flood suppression.

The **learn-unsolicited** command is not needed to learn a neighbor from an NS, because it is basic ND behavior to create a neighbor for the source address of an NS if there is a reply and it is a valid neighbor.

### 7.7.2.1 Configuring Layer 3 proxy-ND

#### Procedure

To configure Layer 3 proxy-ND, enable it on a subinterface.

#### Example

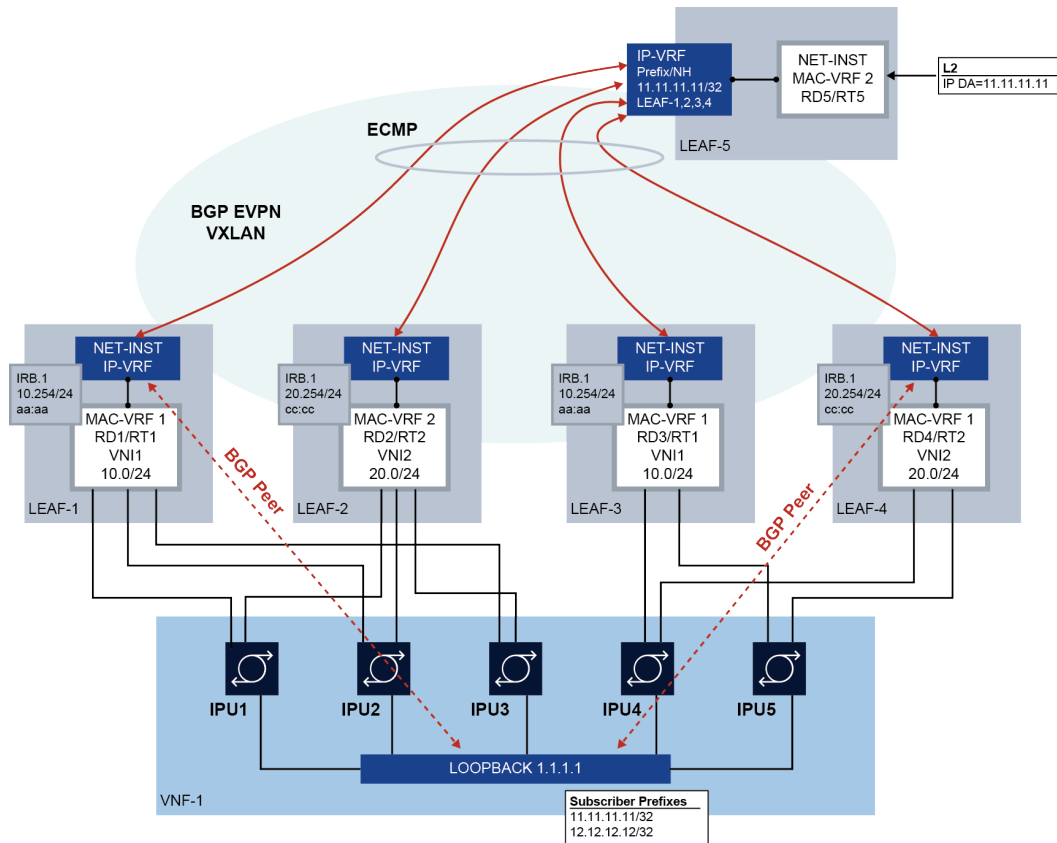
```
--{ candidate shared default }--[ ]--
# info interface ethernet-1/1 subinterface 1 ipv6 neighbor-discovery
  interface ethernet-1/1 {
    subinterface 1 {
      ipv6 {
        neighbor-discovery {
          proxy-nd true
        }
      }
    }
  }
}
```

## 7.8 EVPN IP aliasing for BGP peering to a VNF loopback address

As defined in [draft-sajassi-bess-evpn-ip-aliasing](#), IP aliasing can be used with EVPN Ethernet Segments to load-balance traffic to a host connected to multiple leaf nodes attached to the same IP-VRF, even if some of the leaves do not advertise reachability to that host.

SR Linux supports using IP aliasing for BGP peering where leaf switches are multi-homed to a single VNF (Virtual Network Function) loopback address. [Figure 14: BGP peering to VNF loopback](#) shows this kind of configuration.

Figure 14: BGP peering to VNF loopback



In this configuration, leaf nodes LEAF-1 through LEAF-5 are connected to an EVPN-VXLAN Layer 3 tenant domain, and four of these leaf nodes are multi-homed to the same VNF. This VNF has five IPUs (similar to line cards) that are each dual-homed to two leaf nodes. Each IPU has two Layer 3 links that are connected to the leaf switches.

MAC-VRF 1 and MAC-VRF 2 are different Broadcast Domains (BDs) and have no Layer 2 EVPN-VXLAN connectivity between them.

The VNF is attached to a pair of subscriber prefixes, 11.11.11.11/32 and 12.12.12.12/32, that must be advertised to the leaf nodes (peering from the IP-VRF IRB interfaces) so the leaf nodes can distribute the reachability to the rest of the network.

In this example, the VNF can run PE-CE BGP from loopback interface 1.1.1.1/32, but supports a maximum of two BGP sessions.

In this configuration, IP aliasing on SR Linux allows the following:

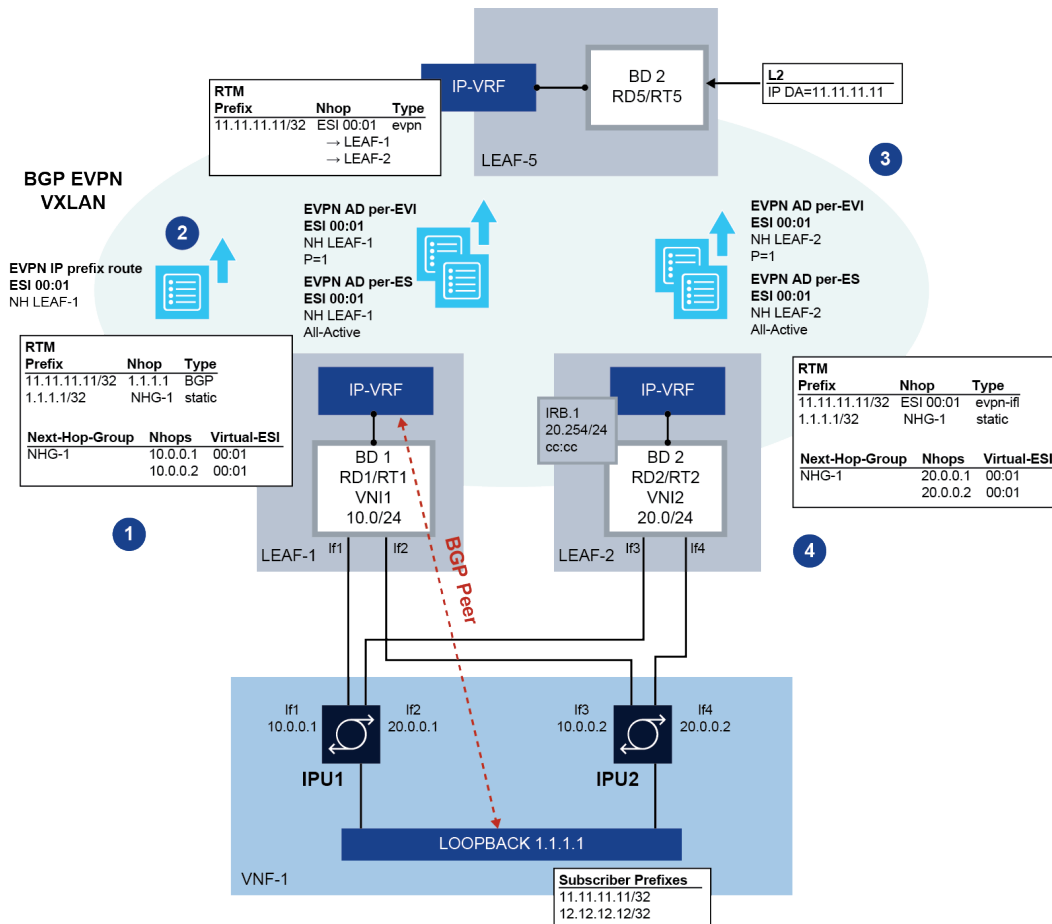
- Full traffic spraying in both upstream and downstream directions, even though the number of BGP sessions is limited to two, and the VNF connects to four leaf nodes.
- No tromboning for downstream traffic routed to a leaf node that does not have a BGP session with the VNF. The local leaf must always route locally to the VNF, unless the VNF loopback becomes unreachable.

For example, when LEAF-5 sends traffic with destination 11.11.11.11 to LEAF-3, LEAF-3 needs to route locally to its local MAC-VRF 1, even if it has an RT5 in its route table pointing at LEAF-1 or LEAF-4.

## EVPN IP aliasing on SR Linux

The following diagram shows how IP aliasing on SR Linux works for BGP peering to a VNF loopback. To simplify the explanation, only two leaf nodes are shown; however, multiple leaf nodes can be multi-homed to the same VNF loopback.

Figure 15: EVPN IP aliasing on SR Linux



In this configuration, BGP peering to the loopback on the VNF works as follows. (The numbers represent the steps depicted in the diagram.)

1. The VNF's loopback address (1.1.1.1) is associated with virtual Layer 3 Ethernet Segment ES-1 on both LEAF-1 and LEAF-2, working in all-active mode. Static routes to 1.1.1.1/32 are configured on both leaf switches. These static routes can run BFD to the VNF, if required, to speed up fault detection. After ES-1 is enabled, and as soon as 1.1.1.1 has a route (of any mask length) in the IP-VRF's route table, LEAF-1 and LEAF-2 advertise an EVPN Ethernet Segment route, as well as EVPN Auto Discovery (AD) per ES and per EVI routes for ES-1. The AD routes are advertised based on the presence of a route for 1.1.1.1 in the route table. In this example, the route for 1.1.1.1/32 is statically configured in the route table, but any non-EVPN IP prefix route that provides reachability to 1.1.1.1 would trigger the advertisement of the AD routes.

If the Ethernet Segment ES-1 oper-state is up and a route for 1.1.1.1 is active in the route table, each leaf advertises:

- AD per-ES route for ES-1, indicating all-active mode
- AD per-EVI route for ES-1, indicating P=1 (primary state is set), with route distinguisher and route target of the IP-VRF

The AD per-EVI routes contain two flags, P (primary) and B (backup), which provide an indication for the remote nodes to know whether they can send traffic to the owners of the routes. The remote nodes send traffic for the ES to all the nodes advertising themselves as primary (P=1), and not to nodes signaling P=0, B=1 (unless there are no primary nodes left in the ES).

For all-active multi-homing mode, there is no Designated Forwarder election in the context of the Ethernet Segment.

2. Any prefixes that are resolved to the next-hop associated with ESI-1 are advertised as EVPN IP prefix routes with ESI 00:01 (representation of the ESI for ES-1). In the example in [Figure 15: EVPN IP aliasing on SR Linux](#), prefix 11.11.11.11/32 is advertised as an EVPN IP prefix route with ESI 00:01.
3. LEAF-5 identifies the EVPN IP prefix route with ESI 00:01 and installs the route in the IP-VRF route table with as many next-hops as received AD routes with ESI 00:01 and the primary flag set (P=1). That is, the IP prefix route with ESI 00:01 is recursively resolved to the next hops that advertise the AD per-EVI (with P=1) and per-ES routes for 00:01.  
If the virtual Layer 3 Ethernet Segment is configured as single-active, a DF Election among all the leaf nodes attached to the same Ethernet Segment determines which leaf nodes advertise themselves as primary for the ES.
4. LEAF-2 identifies the EVPN IP prefix route with ESI 00:01 (and next-hop LEAF-1) and resolves the route recursively to the next-hop associated with ES-1.  
If the static route associated with ES-1 goes down, the leaf withdraws the associated Layer 3 AD per-EVI/ES routes to avoid attracting traffic from LEAF-5.

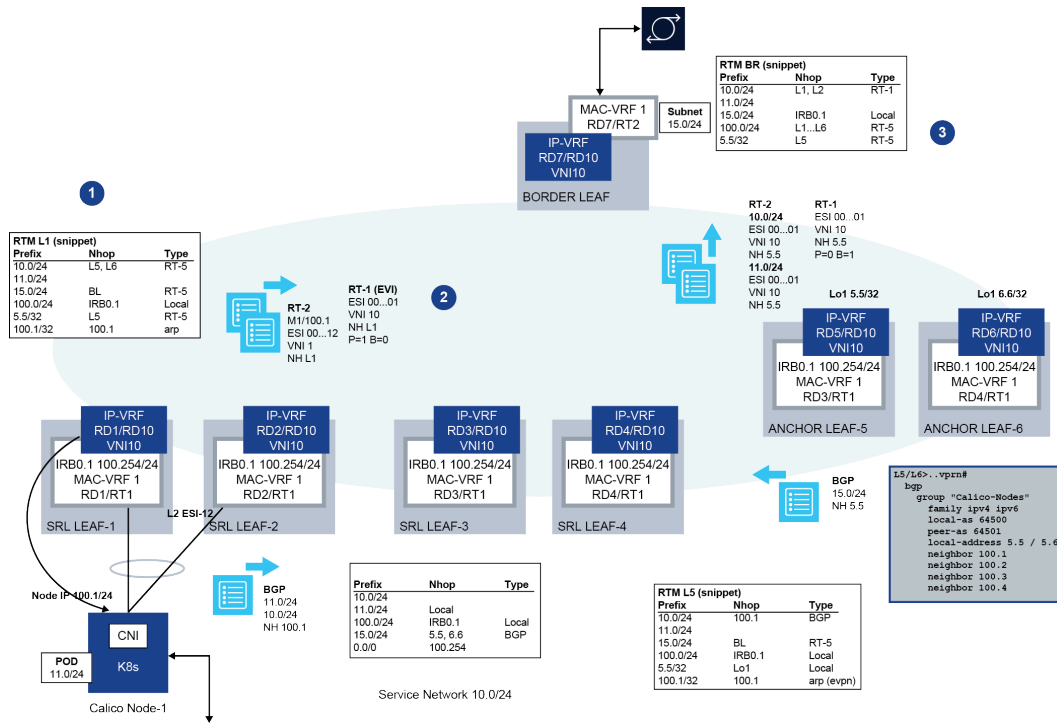
### Centralized routing model and PE-CE routes resolved over EVPN-IFL

SRLinux supports PE-CE sessions over VXLAN and PE-CE next-hop resolution via EVPN-IFL, which, along with Layer 3 Ethernet Segments, enables support for the centralized routing model, shown in [Figure 16: Centralized routing model](#).

This model uses BGP PE-CE peering on CEs to a pair of centralized "anchor" leaf nodes, as opposed to BGP PE-CE sessions to the directly connected leaf nodes. This is possible because BGP PE-CE route resolution via EVPN IFL routes is unblocked, which is necessary when the BGP session is not established via a local subinterface.

Having all the BGP PE-CE sessions centralized in a pair of anchor leaf nodes simplifies the provisioning of BGP not only on the rest of the leaf nodes, but also on the CEs connected to the leaf nodes.

Figure 16: Centralized routing model



In this example, the centralized routing model is used between all the Kubernetes (K8s) node IPs and the IP-VRF loopbacks on anchor leaf nodes; for example, between Node IP 100.1/24 (Node-1) and 5.5/32 in ANCHOR LEAF-5. Although only one Kubernetes node is depicted in the diagram, multiple nodes may be attached to the leaf nodes throughout the data center. By using this model, the BGP configuration is simplified, especially on the Kubernetes nodes, where they can all use the same configuration with a peer to the anchor leaf nodes.

All the BGP PE-CE routes advertised by the CEs are re-advertised by the anchor leaf nodes using EVPN IP prefix routes. As an example, prefixes 10.0/24 and 11.0/24 are advertised by Node-1 and re-advertised by LEAF-5 in IP prefix routes. IP Aliasing solves the issue of tromboning the traffic with destination 10.0 or 11.0 from the BORDER LEAF to LEAF-1 or LEAF-2 via anchor LEAF-5. IP Aliasing works as follows (using the numbers used as a reference in Figure 16: Centralized routing model):

1. LEAF-1, LEAF-2, LEAF-5 and LEAF-6 are all configured with the virtual Layer 3 Ethernet Segment ES-1 (which uses ESI 00..01, is associated with Node-1 IP 100.1, and is configured as single-active). Node-1 advertises BGP PE-CE routes for 10.0/24 and 11.0/24 to LEAF-5.
2. Because LEAF-1 and LEAF-2 have 100.1 in their route table (as a local route) and they are configured as primary nodes for the ES, they advertise AD per-EVI routes for ES-1 with P=1. Anchor LEAF-5 and LEAF-6 are configured as non-primary, so even if they have 100.1 in their route table, they advertise their AD per-EVI routes with P=0 and B=1 (as backup nodes for ES-1). When for example LEAF-5 receives the BGP PE-CE routes from Node-1, it re-advertises them in EVPN IP prefix routes with ESI 00..01 (this is because the BGP PE-CE routes' next-hop matches the IP address in ES-1).
3. BORDER LEAF imports the EVPN IP prefix routes with ESI 00..01 and recursively resolves them to the next-hops of all the AD per-EVI routes advertised as primary (P=1); that is, LEAF-1 and LEAF-2. When receiving traffic to 10.0/24 or 11.0/24, BORDER LEAF load balances the traffic to only LEAF-1 and LEAF-2, as opposed to the anchor leaf nodes.



## 7.8.1 Configuring Layer 3 Ethernet Segments for IP aliasing

To configure a Layer 3 Ethernet Segment for IP aliasing, you specify the Layer 3 next hop to be associated with an Ethernet Segment (ES). The AD per-ES/EVI routes for the ES are advertised when the specified next-hop address is active in the route table of the IP-VRF with the configured EVI.

The following configures two examples of Layer 3 Ethernet Segments, which are associated with an IPv4 and an IPv6 next-hop, respectively.

```
A:Leaf-1# info from running system network-instance protocols evpn ethernet-segments
system {
  network-instance {
    protocols {
      evpn {
        ethernet-segments {
          timers {
            boot-timer 180
            activation-timer 3
          }
          bgp-instance 1 {
            ethernet-segment es_v4_1 {
              type virtual
              admin-state enable
              esi 00:bc:de:00:00:00:00:01:00:04
              multi-homing-mode single-active
              next-hop 6.0.1.254 {
                evi 1 {
                }
              }
            }
            df-election {
              algorithm {
                type preference
                preference-alg {
                  preference-value 2
                  capabilities {
                    ac-df exclude
                    non-revertive false
                  }
                }
              }
            }
          }
          routes {
            next-hop use-system-ipv4-address
            ethernet-segment {
              originating-ip use-system-ipv4-address
            }
          }
        }
      }
      ethernet-segment es_v6_1 {
        type virtual
        admin-state enable
        esi 00:bc:de:00:00:00:00:01:00:06
        multi-homing-mode single-active
        next-hop 6:0:1::254 {
          evi 1 {
          }
        }
        df-election {
          algorithm {
            type preference
            preference-alg {

```



However, Leaf-2 in the following example is not configured as primary, so it advertises an AD-per-EVI route with P=0 and B=1 (therefore, it does not attract traffic to the ES as long as there are primary nodes in the ES).

```
--{ +* candidate shared default }--[ system network-instance protocols evpn ethernet-segments
  bgp-instance 1 ethernet-segment L3-ES-1 ]--
A:Leaf-2# info
  type virtual
  admin-state enable
  esi 01:20:20:20:01:00:00:00:00:00
  multi-homing-mode single-active
  next-hop 20.20.20.1 {
    evi 2 {
    }
  }
  df-election {
    algorithm {
      type manual
      manual-alg {
      }
    }
  }
}
```

The following example shows the configuration of LEAF-1 and LEAF-2 in the [Figure 14: BGP peering to VNF loopback](#) diagram. LEAF-5 is configured without any Ethernet Segment and with an IP-VRF that has BGP-EVPN enabled and  $ecmp \geq 2$ , so that it can load-balance traffic to the two leaf nodes attached to the ES.

```
# LEAF-1 and LEAF-2 configuration of the Ethernet Segment
--{ + candidate shared default }--[ system network-instance protocols evpn ]--
A:leaf1/leaf2# info
  ethernet-segments {
    bgp-instance 1 {
      ethernet-segment L3-ES-1 {
        type virtual
        admin-state enable
        esi 01:01:00:00:00:00:00:00:00:00
        multi-homing-mode all-active
        next-hop 1.1.1.1 {
          evi 2 {
          }
        }
      }
    }
  }
}

# LEAF-1 IP-VRF configuration, including BGP session to the VNF
--{ + candidate shared default }--[ network-instance ip-vrf-2 ]--
A:leaf1# info
  type ip-vrf
  admin-state enable
  interface irb0.1 {
  }
  interface lo1.1 {
  }
  vxlan-interface vxlan1.2 {
  }
  protocols {
    bgp-evpn {
      bgp-instance 1 {
        admin-state enable
        vxlan-interface vxlan1.2
      }
    }
  }
}
```

```

    evi 2
    ecmp 4
  }
}
bgp {
  autonomous-system 64501
  router-id 10.0.0.1
  group PE-CE {
    export-policy all
    import-policy all
    peer-as 64500
  }
  afi-safi ipv4-unicast {
    admin-state enable
  }
  neighbor 1.1.1.1 {
    peer-group PE-CE
    multihop {
      admin-state enable
      maximum-hops 10
    }
    transport {
      local-address 10.0.0.1
    }
  }
}
bgp-vpn {
  bgp-instance 1 {
    route-distinguisher {
      rd 1.1.1.1:2
    }
    route-target {
      export-rt target:64500:2
      import-rt target:64500:2
    }
  }
}
static-routes {
  route 1.1.1.1/32 {
    next-hop-group NHG-1
  }
}
next-hop-groups {
  group NHG-1 {
    nexthop 1 {
      ip-address 10.0.0.1
    }
    nexthop 2 {
      ip-address 10.0.0.2
    }
  }
}
}

# LEAF-2 IP-VRF configuration
--{ + candidate shared default }--[ network-instance ip-vrf-2 ]--
A:leaf2# info
type ip-vrf
interface irb0.1 {
}
vxlan-interface vxlan1.2 {
}
protocols {
  bgp-evpn {
    bgp-instance 1 {

```

```

    vxlan-interface vxlan1.2
    evi 2
    ecmp 4
  }
}
bgp-vpn {
  bgp-instance 1 {
    route-distinguisher {
      rd 2.2.2.2:2
    }
    route-target {
      export-rt target:64500:2
      import-rt target:64500:2
    }
  }
}
static-routes {
  route 1.1.1.1/32 {
    next-hop-group NHG-1
  }
}
next-hop-groups {
  group NHG-1 {
    nexthop 1 {
      ip-address 20.0.0.1
    }
    nexthop 2 {
      ip-address 20.0.0.1
    }
  }
}
}
}
}

```

The following shows the route table for one of the subscriber prefixes (11.11.11.11/32) that are advertised from the VNF with a next-hop matching the Layer 3 ES next-hop. For LEAF-1, the route is learned via BGP PE-CE.

```

# LEAF-1 route table entry
--{ + candidate shared default }--[ network-instance ip-vrf-2 ]--
A:leaf1# info from state route-table ipv4-unicast route 11.11.11.11/32 id 0 route-type bgp
route-owner bgp_mgr
route-table {
  ipv4-unicast {
    route 11.11.11.11/32 id 0 route-type bgp route-owner bgp_mgr {
      metric 0
      preference 170
      active true
      last-app-update 2022-10-19T10:26:51.020Z
      next-hop-group 423577430891
      next-hop-group-network-instance ip-vrf-2
      resilient-hash false
      fib-programming {
        last-successful-operation-type add
        last-successful-operation-timestamp 2022-10-19T10:26:51.021Z
        pending-operation-type none
        last-failed-operation-type none
      }
    }
  }
}
}
}
}

```

For LEAF-2, the route is learned via EVPN; however, the next-hop is resolved locally to the next-hop-group associated with the route for 1.1.1.1 (the ES next-hop IP address).

```
# LEAF-2 route table entry
--{ +* candidate shared default }--[ network-instance ip-vrf-2 ]--
A:leaf2# info from state route-table ipv4-unicast route 11.11.11.11/32 id 0 route-type bgp-evpn
route-owner bgp_evpn_mgr
route-table {
  ipv4-unicast {
    route 11.11.11.11/32 id 0 route-type bgp-evpn route-owner bgp_evpn_mgr {
      metric 0
      preference 170
      active true
      last-app-update 2022-10-19T10:25:06.199Z
      next-hop-group 423577389148
      next-hop-group-network-instance ip-vrf-2
      resilient-hash false
      fib-programming {
        last-successful-operation-type add
        last-successful-operation-timestamp 2022-10-19T10:25:06.199Z
        pending-operation-type none
        last-failed-operation-type none
      }
    }
  }
}

--{ +* candidate shared default }--[ network-instance ip-vrf-2 ]--
A:leaf2# info from state route-table next-hop-group 423577389148
route-table {
  next-hop-group 423577389148 {
    backup-next-hop-group 0
    next-hop 0 {
      next-hop 423577389136
      resolved true
    }
    next-hop 1 {
      next-hop 423577389137
      resolved true
    }
  }
}

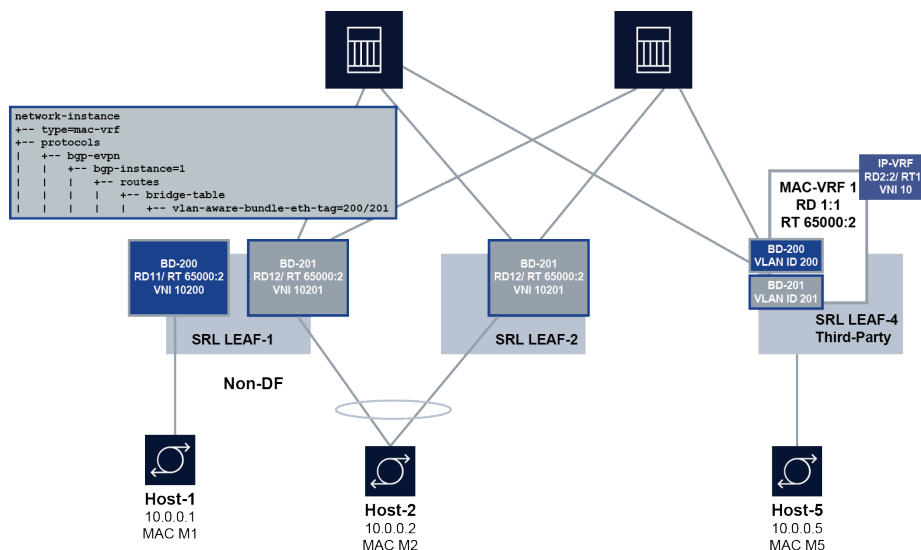
--{ +* candidate shared default }--[ network-instance ip-vrf-2 ]--
A:leaf2# show route-table next-hop 423577389136
-----
Next-hop route table of network instance ip-vrf-2
-----
Index : 423577389136
Next-hop : 20.20.20.1
Type : indirect
Subinterface : N/A
Resolving Route : 20.20.20.0/24 (local)
```

## 8 EVPN interoperability with VLAN-aware bundle services

RFC 7432 defines VLAN-aware bundle services as those EVPN instances that consist of multiple broadcast domains. On SR Linux, a broadcast domain instance on a leaf node is identified by a MAC-VRF, and a MAC-VRF can contain only one broadcast domain. However, SR Linux supports an interoperability mode so that SR Linux leaf nodes can be attached to VLAN-aware bundle broadcast domains along with other third-party routers.

Figure 17: EVPN interoperability with VLAN-aware bundle services shows a configuration that features interoperability between SR Linux systems and a third-party device configured with VLAN-aware bundle services.

Figure 17: EVPN interoperability with VLAN-aware bundle services



In this configuration, Leaf-1 and Leaf-2 are SR Linux systems, and Leaf-4 is a third-party device that supports VLAN-aware bundle services. On Leaf-4, MAC-VRF1 is configured with two broadcast domains (BDs), BD-200 and BD-201. BD-200 and BD-201 are configured with the corresponding VLAN ID value (encoded as Ethernet Tag ID in the EVPN routes) and the VNI.

To allow Leaf-1 and Leaf-2 to interoperate with Leaf-4, the SR Linux devices are configured to advertise a non-zero Ethernet Tag ID in the EVPN routes, and process the Ethernet Tag ID in EVPN routes received for the MAC-VRF. When this Ethernet Tag ID is configured, all MAC-VRFs of the same “bundle” have the same import/export route target (RT), but different route distinguisher (RD), Ethernet Tag ID, and VXLAN VNI.

The Ethernet Tag ID can be set to a value in the range 0–16777215 (24-bit value). When the Ethernet Tag ID is set to a non-zero value, MAC/IP, IMET, and AD per-EVI routes for the MAC-VRF are advertised encoding the Ethernet Tag ID (configured with the **vlan-aware-bundle-eth-tag** parameter) into the **ethernet-tag-id** field of the routes. To interoperate in a VLAN-aware bundle broadcast domain where there are multiple vendors and multi-homed CEs, all the vendors must advertise and process the AD per-

EVI routes as per RFC 8584, where an AD per-EVI route is advertised per broadcast domain for the ES. SR Linux is fully compliant with RFC 8584.

For received routes, BGP processes the routes as usual, and imports them based on the import route-target. The `ethernet-tag-id` is part of the route-key, so BGP may keep multiple routes with same RD/RT/prefix but different `ethernet-tag-id`. For the routes imported in a specific MAC-VRF, only those routes whose `ethernet-tag-id` matches the locally configured Ethernet Tag ID are processed.

The feature is supported for the following:

- MAC-VRF network-instances
- MAC-VRF network-instances with IRB interfaces
- MAC-VRF with Multi-Homing, for L2 and L3

## 8.1 Configuring the Ethernet Tag ID for VLAN aware bundle interoperability

### Procedure

To configure VLAN aware bundle interoperability for SR Linux, you specify a value for the **vlan-aware-bundle-eth-tag** parameter.

When the **vlan-aware-bundle-eth-tag** is set to a non-zero value, routes are accepted only when the incoming `ethernet-tag-id` matches the configured value, for all route types imported in the MAC-VRF.

When the **vlan-aware-bundle-eth-tag** is set to zero (the default value):

- All received routes with `ethernet-tag-id = 0` are accepted (irrespective of type).
- For received routes with a non-zero `ethernet-tag-id` value, IMET and MAC/IP routes for the VXLAN instance are always accepted.
- AD per-EVI routes with a non-zero `ethernet-tag-id` are rejected.

### Example

The following example configures a value for the **vlan-aware-bundle-eth-tag** parameter. All the EVPN routes advertised for the MAC-VRF contain this value in the `ethernet-tag-id` field.

```
--{ * candidate shared default }--[ ]--
# info network-instance mac_vrf_1 protocols bgp-evpn bgp-instance 1 routes
  network-instance mac_vrf_1 {
    protocols {
      bgp-evpn {
        bgp-instance 1 {
          routes {
            bridge-table {
              vlan-aware-bundle-eth-tag 1
            }
          }
        }
      }
    }
  }
}
```



## 8.2 Displaying the Ethernet Tag ID for VLAN aware bundle interoperability

### Procedure

Use the **show network-instance** command to display the value configured for the **vlan-aware-bundle-eth-tag** parameter.

### Example

```
--{ * candidate shared default }--[ ]--
# show network-instance mac_vrf_1 protocols bgp-evpn bgp-instance 1
=====
Net Instance   : mac_vrf_1
  bgp Instance 1 is enabled and up
-----
VXLAN-Interface : vxlan1.1
  evi            : 1
  ecmp          : 2
  default-admin-tag : 0
  oper-down-reason : N/A
EVPN Routes
  Next hop                : 10.20.1.3/32 (network-instance "default" system0.0
                           IPv4 address)
  VLAN Aware Bundle Ethernet tag : 1
  MAC/IP Routes          : enabled
  IMET Routes            : enabled, originating-ip 10.20.1.3/32
=====
```

## 9 BGP and routing policy extensions for EVPN

This chapter describes extensions added to SR Linux BGP and routing policy configuration to facilitate EVPN configuration.

- [BGP extensions for EVPN](#)
- [Routing policy extensions for EVPN](#)

### 9.1 BGP extensions for EVPN

SR Linux supports Multi-Protocol BGP with AFI/SAFI EVPN. The following BGP features are relevant to EVPN in a VXLAN network:

- The EVPN address family can use eBGP or iBGP.
- eBGP multihop is supported on SR Linux; local-AS override can be used for iBGP per session.
- A supported configuration/design with eBGP is eBGP with local-as override on the session to an iBGP RR.
- Rapid-update and rapid-withdrawal for EVPN family are supported and are always expected to be enabled, especially along with multi-homing. Note that rapid-update is address-family specific, while rapid-withdrawal is generic for all address families.
- The BGP keep-all-routes option is supported for EVPN to avoid route-refresh messages attracting all EVPN routes when a policy changes or `bgp-evpn` is enabled.
- The **receive-ipv6-next-hops** option does not apply to the EVPN address family.
- The **prefix-limit max-received-routes** and **threshold** options are supported for EVPN.
- The command **network-instance protocols bgp route-advertisement wait-for-fib-install** does not apply to EVPN.
- SR Linux BGP resolves BGP-EVPN routes' next-hops in the network-instance default route-table. If the next-hop is resolved, BGP can mark the route as `u*>` (`u=used`, `*=valid`, `>=best`) and send the route to `evpn_mgr` if needed or reflected to other peers.

### 9.2 Routing policy extensions for EVPN

SR Linux includes support for applying routing policies to EVPN routes. You can specify the following match conditions in a policy statement:

- Match routes based on EVPN route type.
- Match routes based on IP addresses and prefixes via prefix-sets for route types 2 and 5.
- Match routes based BGP encapsulation extended community.
- Match routes based on configured admin-tags

---

For information about configuring routing policies on SR Linux, see the *SR Linux Configuration Basics Guide*.

The following considerations apply to routing policies for EVPN:

- For IBGP neighbors, EVPN routes are imported and exported without explicit configuration of any policy at either the BGP or network-instance level.
- For EBGP neighbors, by default, routes are imported or exported based on the **ebgp-default-policy** configuration.
- When an explicit import/export route-target is configured in a network-instance bgp-instance, and an import/export policy is also configured on the same bgp-instance, the configured policy is used, and its route-target is added to the imported/exported route.
- When a network-instance policy and a peer policy are applied, they are executed as follows:
  - For export, the network-instance export policy is applied first, and the peer policy is applied afterwards (sequentially).
  - For import, peer import policy is applied first and network-instance import policy is applied afterwards (sequentially).
- Only one network-instance export and import policy is supported.

## 10 EVPN configuration examples

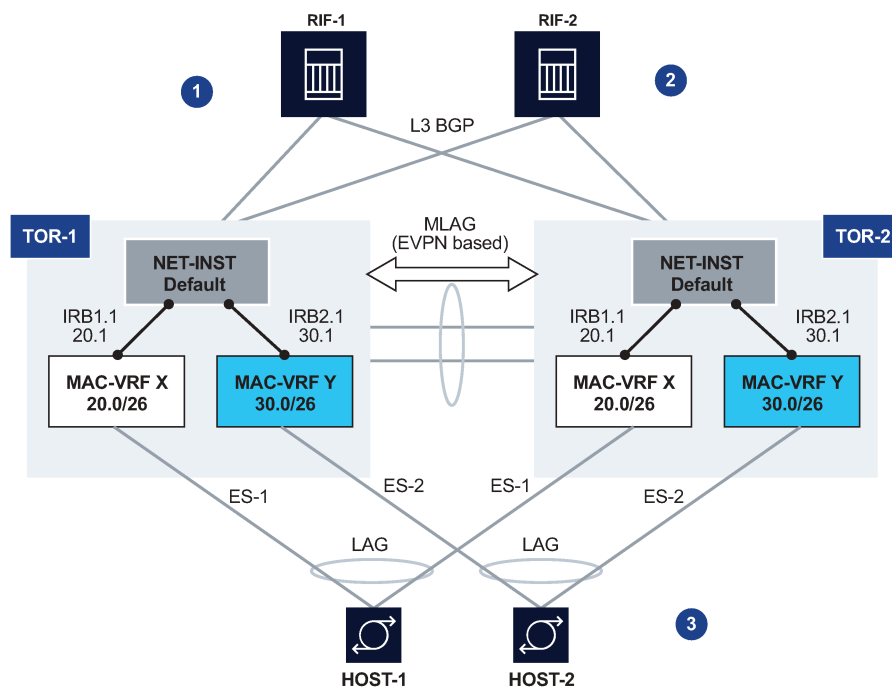
This chapter contains examples of configurations that use EVPN features.

- [All-active redundant connectivity example](#)
- [Hierarchical active-active connectivity example](#)
- [EVPN multi-homing as standalone solution for MC-LAG](#)

### 10.1 All-active redundant connectivity example

Figure 18: Active-active connectivity example shows an example of using EVPN multi-homing as a standalone and self-contained multi-chassis solution.

Figure 18: Active-active connectivity example



This example uses the following features:

#### 1. Redundancy

TOR redundancy is based on an all-active redundancy model.

#### 2. Layer 3 connectivity

- An anycast gateway solution is used on the IRB subinterfaces so that upstream traffic is always routed locally on the TOR receiving the traffic.

- South-to-north traffic is sent to the active link and routed by the local IRB subinterface. In case of failure on TOR-1, TOR-2 is ready to forward on the anycast gateway IRB, without the need to wait for any VRRP protocol to converge.
- North-to-south traffic is load-balanced by the fabric to the two TORs. ARP/ND entries are synchronized across both TORs. Host routes could be optionally created and advertised in BGP from the directly connected TOR to avoid tromboning in the downstream direction.

### 3. Layer 2 connectivity

- Servers do not need to run any xSTP protocols. The NDF TOR brings down the port and signals LOS to the server.
- This solution places no requirements on the servers.

This example imposes the use of a LAG on the server. The LAG can use LACP or not. The servers are unaware that the LAG is connected to two systems instead of only one.

## 10.1.1 Configuration for all-active connectivity example

Leaf 1 in [Figure 18: Active-active connectivity example](#) has the following configuration. Leaf 2 would have an equivalent configuration.

```
--{ [FACTORY] +* candidate shared default }--[ ]--
A:Leaf-1#
// two IRB interfaces with anycast-gw configuration is added
interface irb1 {
  subinterface 1 {
    ipv4 {
      address 20.0.0.1/24 {
        anycast-gw true
        primary
      }
      arp {
        learn-unsolicited true
        evpn {
          advertise dynamic {
          }
        }
      }
    }
    anycast-gw {
    }
  }
}
interface irb2 {
  subinterface 1 {
    ipv4 {
      address 30.0.0.1/24 {
        anycast-gw true
        primary
      }
      arp {
        learn-unsolicited true
        evpn {
          advertise dynamic {
          }
        }
      }
    }
  }
}
```

```

        anycast-gw {
        }
    }
}
// lags associated with the ethernet-segments.
In this case static, but they can be lACP based too.
interface lag1 {
    admin-state enable
    vlan-tagging true
    subinterface 1 {
        vlan {
            encap {
                single-tagged {
                    vlan-id 20
                }
            }
        }
    }
    lag {
        lag-type static
    }
}
interface lag2 {
    admin-state enable
    vlan-tagging true
    subinterface 1 {
        vlan {
            encap {
                single-tagged {
                    vlan-id 30
                }
            }
        }
    }
    lag {
        lag-type static
    }
}
// ES configuration
system {
    network-instance {
        protocols {
            evpn {
                ethernet-segments {
                    bgp-instance 1 {
                        ethernet-segment ES-1 {
                            admin-state enable
                            esi 00:01:00:00:00:00:00:00:01
                            interface lag1
                        }
                        ethernet-segment ES-2 {
                            admin-state enable
                            esi 00:02:00:00:00:00:00:00:02
                            interface lag2
                        }
                    }
                }
            }
        }
    }
}
// MAC-VRFs
network-instance MAC-VRF-X {
    type mac-vrf
}

```

```

admin-state enable
interface irb1.1 {
}
interface lag1.1 {
}
vxlan-interface vxlan1.20 {
}
protocols {
  bgp-evpn {
    bgp-instance 1 {
      admin-state enable
      vxlan-interface vxlan1.20
      evi 20
    }
  }
  bgp-vpn {
    bgp-instance 1 {
    }
  }
}
}
network-instance MAC-VRF-Y {
  type mac-vrf
  admin-state enable
  interface irb2.1 {
  }
  interface lag2.1 {
  }
  vxlan-interface vxlan1.30 {
  }
  protocols {
    bgp-evpn {
      bgp-instance 1 {
        admin-state enable
        vxlan-interface vxlan1.30
        evi 30
      }
    }
    bgp-vpn {
      bgp-instance 1 {
      }
    }
  }
}
}
// default network-instance configuration
network-instance default {
  type default
  admin-state enable
  description "Default network instance"
  router-id 1.1.1.1
  interface ethernet-1/1.1 {
  }
  interface ethernet-1/20.1 {
  }
  interface irb1.1 {
  }
  interface irb2.1 {
  }
  interface system0.0 {
  }
  protocols {
    bgp {
      admin-state enable
      afi-safi ipv4-unicast {

```

```

        admin-state enable
    }
    autonomous-system 1234
    router-id 1.1.1.1
    group eBGP-spines {
        admin-state enable
        export-policy export-all
        peer-as 4567
        afi-safi ipv4-unicast {
            admin-state enable
        }
    }
    group evpn-mh {
        admin-state enable
        export-policy export-all
        peer-as 1234
        afi-safi evpn {
            admin-state enable
        }
    }
    neighbor 2.2.2.2 {
        admin-state enable
        peer-group evpn-mh
    }
    neighbor 10.1.4.4 {
        admin-state enable
        peer-group eBGP-spines
    }
}
}
}
// vxlan interfaces for the MH configuration
tunnel-interface vxlan1 {
    vxlan-interface 20 {
        type bridged
        ingress {
            vni 20
        }
    }
    vxlan-interface 30 {
        type bridged
        ingress {
            vni 30
        }
    }
}
}
}

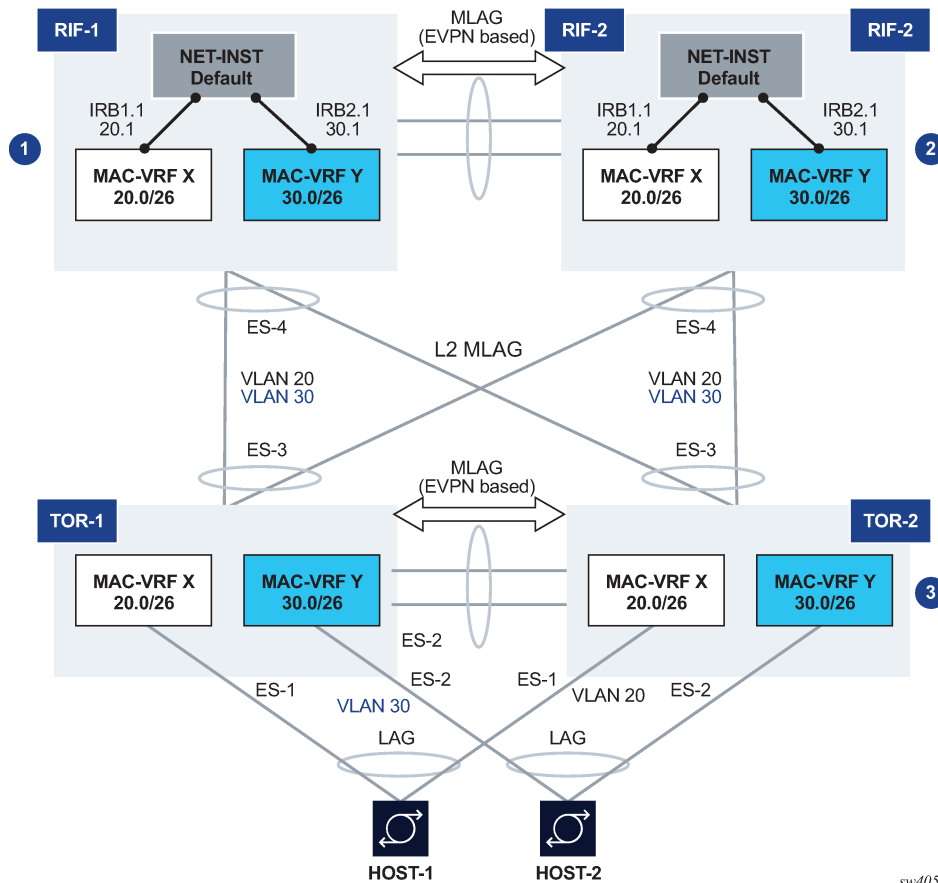
```

## 10.2 Hierarchical active-active connectivity example

[Figure 19: Hierarchical active-active connectivity example](#) shows an example that makes use of a Layer 2 and a Layer 3 multi-homing solution.



Figure 19: Hierarchical active-active connectivity example



sw4059

This example uses the following features:

- Leaf / Spine configuration
  - There are two multi-chassis pairs at the Leaf and the Spine levels.
  - The Leaf pair runs all-active multi-homing on its own Ethernet Segments.
 

The access hosts or Spines are separate and independent Ethernet Segments. The diagram shows three Ethernet Segments, one per host at the access, and one for the connectivity to the Spine layer (note this is only one ES in spite of the number of Spine nodes, which could be 2 or 4).
  - The Spine layer runs all-active multi-homing with a single Ethernet Segment to the Leaf layer (associated with the LAG attached to the Leaf layer).
  - The two tiers are independent; there are no control plane protocols between them, except for LACP if used.
 

This means that the Leaf and Spine layer could theoretically be of a different vendor.
- Layer 3 connectivity
  - An anycast gateway solution is used on the Spine layer, on the IRB subinterfaces, so that upstream traffic is always routed locally on the Leaf receiving the traffic.
  - South-to-north flows are sent to only one link at a time, so there is not duplication.

- North-to-south traffic is load-balanced by the fabric to the two Spines and for the Spines load-balanced to the Leafs. ARP/ND entries are synchronized across both Spines. Host routes can optionally be created and advertised in BGP from the directly connected Spine to avoid tromboning in the downstream direction.
- Layer 2 connectivity
  - Hosts are running LAG with or without LACP.
  - Leafs and Spines are connected by standard Layer 2 LAGs that carry the VLANs for the two broadcast domains illustrated in [Figure 19: Hierarchical active-active connectivity example](#).

### 10.2.1 Configuration for hierarchical active-active connectivity example

Spine 1 in [Figure 19: Hierarchical active-active connectivity example](#) has the following configuration. The configuration for Spine 2 would be equivalent.

```
--{ [FACTORY] +* candidate shared default }--[ ]--
A:Spine-1#
// two IRB interfaces with anycast-gw configuration is added
interface irb1 {
  subinterface 1 {
    ipv4 {
      address 20.0.0.1/24 {
        anycast-gw true
        primary
      }
      arp {
        learn-unsolicited true
        evpn {
          advertise dynamic {
            // for ARP synchronization across MH leaf nodes
          }
        }
      }
    }
  }
  anycast-gw {
  }
}
}
interface irb2 {
  subinterface 1 {
    ipv4 {
      address 30.0.0.1/24 {
        anycast-gw true
        primary
      }
      arp {
        learn-unsolicited true
        evpn {
          advertise dynamic {
          }
        }
      }
    }
  }
  anycast-gw {
  }
}
}
// lags associated with the ethernet-segment.
```

In this case static, but they can be lACP based too.

```

interface lag1 {
  admin-state enable
  vlan-tagging true
  subinterface 1 {
    vlan {
      encap {
        single-tagged {
          vlan-id 20
        }
      }
    }
  }
  subinterface 2 {
    vlan {
      encap {
        single-tagged {
          vlan-id 30
        }
      }
    }
  }
  lag {
    lag-type static
  }
}
// ES configuration
system {
  network-instance {
    protocols {
      evpn {
        ethernet-segments {
          bgp-instance 1 {
            ethernet-segment ES-4 {
              admin-state enable
              esi 00:44:44:44:44:44:00:00:04
              interface lag1
            }
          }
        }
      }
    }
  }
}
// MAC-VRFs
network-instance MAC-VRF-X {
  type mac-vrf
  admin-state enable
  interface irb1.1 {
  }
  interface lag1.1 {
  }
  vxlan-interface vxlan1.20 {
  }
  protocols {
    bgp-evpn {
      bgp-instance 1 {
        admin-state enable
        vxlan-interface vxlan1.20
        evi 20
      }
    }
    bgp-vpn {
      bgp-instance 1 {

```

```

    }
  }
}
network-instance MAC-VRF-Y {
  type mac-vrf
  admin-state enable
  interface irb2.1 {
  }
  interface lag1.2 {
  }
  vxlan-interface vxlan1.30 {
  }
  protocols {
    bgp-evpn {
      bgp-instance 1 {
        admin-state enable
        vxlan-interface vxlan1.30
        evi 30
      }
    }
    bgp-vpn {
      bgp-instance 1 {
      }
    }
  }
}
// default network-instance configuration
network-instance default {
  type default
  admin-state enable
  description "Default network instance"
  router-id 1.1.1.1
  interface ethernet-1/1.1 {
  }
  interface ethernet-1/20.1 {
  }
  interface irb1.1 {
  }
  interface irb2.1 {
  }
  interface system0.0 {
  }
  protocols {
    bgp {
      admin-state enable
      afi-safi ipv4-unicast {
        admin-state enable
      }
      autonomous-system 1234
      router-id 1.1.1.1
      group eBGP-spines {
        admin-state enable
        export-policy export-all
        peer-as 4567
        afi-safi ipv4-unicast {
          admin-state enable
        }
      }
      group evpn-mh {
        admin-state enable
        export-policy export-all
        peer-as 1234
        afi-safi evpn {

```

```

        admin-state enable
    }
}
neighbor 2.2.2.2 {
    admin-state enable
    peer-group evpn-mh
}
neighbor 10.1.4.4 {
    admin-state enable
    peer-group eBGP-spines
}
}
}
}
// vxlan interfaces for the MH configuration
tunnel-interface vxlan1 {
    vxlan-interface 20 {
        type bridged
        ingress {
            vni 20
        }
    }
    vxlan-interface 30 {
        type bridged
        ingress {
            vni 30
        }
    }
}
}
}

```

Leaf 1 in [Figure 19: Hierarchical active-active connectivity example](#) has the following configuration. The configuration for Leaf 2 would be equivalent.

```

--{ [FACTORY] +* candidate shared default }--[ ]--
A:Leaf-1#
// lags associated with the ethernet-segments.
In this case static, but they can be lacp based too.
interface lag1 {
    admin-state enable
    vlan-tagging true
    subinterface 1 {
        vlan {
            encap {
                single-tagged {
                    vlan-id 20
                }
            }
        }
    }
    lag {
        lag-type static
    }
}
interface lag2 {
    admin-state enable
    vlan-tagging true
    subinterface 1 {
        vlan {
            encap {
                single-tagged {
                    vlan-id 30
                }
            }
        }
    }
}

```

```

    }
  }
}
lag {
  lag-type static
}
}
interface lag3 {
  admin-state enable
  vlan-tagging true
  subinterface 1 {
    vlan {
      encap {
        single-tagged {
          vlan-id 20
        }
      }
    }
  }
  subinterface 2 {
    vlan {
      encap {
        single-tagged {
          vlan-id 30
        }
      }
    }
  }
  lag {
    lag-type static
  }
}
// ES configuration
system {
  network-instance {
    protocols {
      evpn {
        ethernet-segments {
          bgp-instance 1 {
            ethernet-segment ES-1 {
              admin-state enable
              esi 00:11:11:11:11:11:00:00:01
              interface lag1
            }
            ethernet-segment ES-2 {
              admin-state enable
              esi 00:22:22:22:22:22:00:00:02
              interface lag2
            }
            ethernet-segment ES-3 {
              admin-state enable
              esi 00:33:33:33:33:33:00:00:03
              interface lag3
            }
          }
        }
      }
    }
  }
}
// MAC-VRFs
network-instance MAC-VRF-X {
  type mac-vrf
  admin-state enable
}

```

```

interface lag1.1 {
}
interface lag3.1 {
}
vxlan-interface vxlan1.20 {
}
protocols {
  bgp-evpn {
    bgp-instance 1 {
      admin-state enable
      vxlan-interface vxlan1.20
      evi 20
    }
  }
  bgp-vpn {
    bgp-instance 1 {
    }
  }
}
}
network-instance MAC-VRF-Y {
  type mac-vrf
  admin-state enable
  interface lag2.1 {
  }
  interface lag3.1 {
  }
  vxlan-interface vxlan1.30 {
  }
  protocols {
    bgp-evpn {
      bgp-instance 1 {
        admin-state enable
        vxlan-interface vxlan1.30
        evi 30
      }
    }
    bgp-vpn {
      bgp-instance 1 {
      }
    }
  }
}
}
// default network-instance configuration
network-instance default {
  type default
  admin-state enable
  description "Default network instance"
  router-id 1.1.1.1
  interface ethernet-1/1.1 {
  }
  interface system0.0 {
  }
  protocols {
    bgp {
      admin-state enable
afi-safi ipv4-unicast {
      admin-state enable
    }
    autonomous-system 1234
    router-id 1.1.1.1
    group evpn-mh {
      admin-state enable
      export-policy export-all
    }
  }
}

```

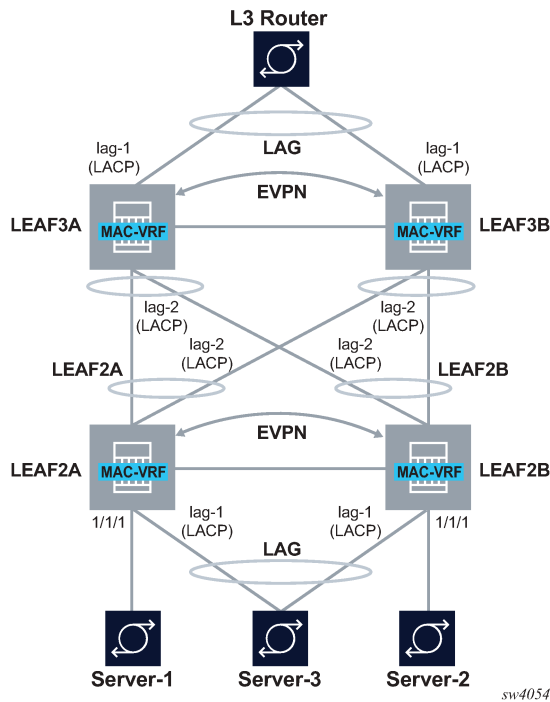
```
        peer-as 1234
        afi-safi evpn {
            admin-state enable
        }
    }
    neighbor 2.2.2.2 {
        admin-state enable
        peer-group evpn-mh
    }
}
// vxlan interfaces for the MH configuration
tunnel-interface vxlan1 {
    vxlan-interface 20 {
        type bridged
        ingress {
            vni 20
        }
    }
    vxlan-interface 30 {
        type bridged
        ingress {
            vni 30
        }
    }
}
```

### 10.3 EVPN multi-homing as standalone solution for MC-LAG

EVPN multi-homing is not only used in overlay DCs, but also as a standalone solution for multi-homing in Layer 2 access networks with no VXLAN. [Figure 20: EVPN multi-homing as standalone MC-LAG solution](#) illustrates this usage.



Figure 20: EVPN multi-homing as standalone MC-LAG solution

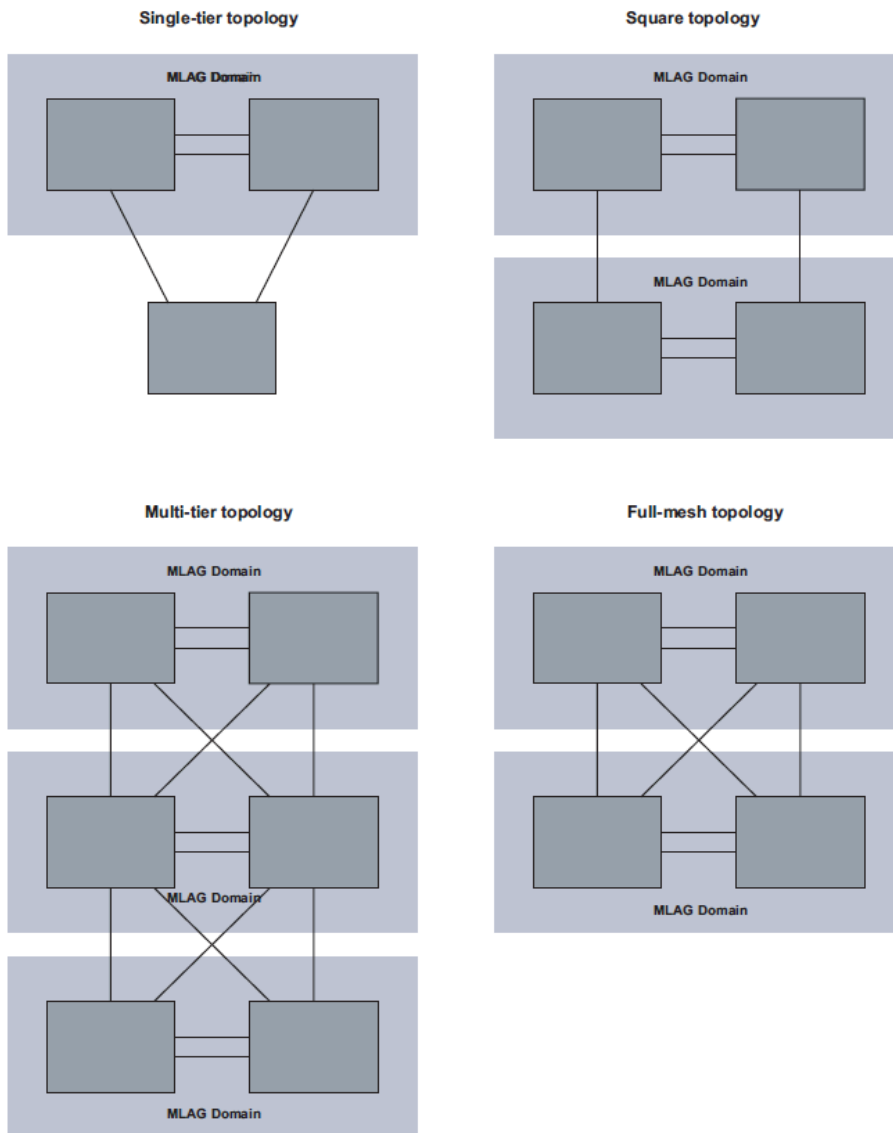


On the left side of [Figure 20: EVPN multi-homing as standalone MC-LAG solution](#), EVPN Multi-homing is used as a standalone multi-homing solution for leaf nodes connected via bridged subinterfaces.

Leafs of a layer do not use VXLAN to get connected to the higher layer. In this case, EVPN sessions are configured locally within each multi-homing pair so that EVPN handles DF Election, split-horizon and synchronization of MAC and ARP entries. However, the leafs of different layers are not connected through any IP fabric, so no VXLAN or EVPN is needed end-to-end.

In this configuration, EVPN provides an alternative to MC-LAG solutions, being able to match all the topologies that other MC-LAG solutions support. These topologies include single-tier, multi-tier, square, or full-mesh/bow-tie topologies (see [Figure 21: MLAG topologies](#) below). EVPN multi-homing is supported in all of them as a replacement of MC-LAG.

Figure 21: MLAG topologies



### 10.3.1 Configuration for EVPN multi-homing as standalone MC-LAG

LEAF2A in [Figure 20: EVPN multi-homing as standalone MC-LAG solution](#) has the following configuration:

```
// lag1 connects LEAF2A to server-3
// and is associated to an all-active Ethernet Segment.
--{ candidate shared default }--[ ]--
A:LEAF2A# info interface lag*
  interface lag1 {
    admin-state enable
    vlan-tagging true
    subinterface 10 {
      type bridged
    }
  }
```

```

        vlan {
            encap {
                single-tagged {
                    vlan-id 10
                }
            }
        }
    }
}
lag {
    lag-type static
// lag-type could also be lACP, in which case the
system-id/key must match on lag1 of LEAF2B
    member-speed 10G
}
}
// lag2 connects LEAF2A to LEAF3A and LEAF3B.
This LAG is an access LAG (does not carry vxlan) associated to
an all-active Ethernet Segment
interface lag2 {
    admin-state enable
    vlan-tagging true
    subinterface 10 {
        type bridged
        vlan {
            encap {
                single-tagged {
                    vlan-id 10
                }
            }
        }
    }
}
lag {
    lag-type static
// lag-type could also be lACP, in which case the
system-id/key must match on lag2 of LEAF2B
    member-speed 10G
}
}
// A vxlan-interface is created for the inter-chassis traffic
--{ candidate shared default }--[ ]-
A:LEAF2A# info tunnel-interface vxlan1 vxlan-interface 10
    tunnel-interface vxlan1 {
        vxlan-interface 10 {
            type bridged
            ingress {
                vni 10
            }
        }
    }
}
// the Ethernet Segments associated to lag1 and lag2
--{ candidate shared default }--[ ]-
A:LEAF2A# info system network-instance protocols evpn
system {
    network-instance {
        protocols {
            evpn {
                ethernet-segments {
                    bgp-instance 1 {
                        ethernet-segment ES-leaf1-leaf2.CE1 {
                            admin-state enable
                            esi 00:12:12:12:12:12:00:00:01
                            interface lag1
                        }
                    }
                    ethernet-segment ES-leaf1-leaf2.Spines {

```





```
// the mac-vrf uses lag sub-interfaces for the connectivity to rest of the
leaf nodes and servers, and a vxlan-subinterface for the connectivity
to LEAF2B
--{ candidate shared default }--[ ]--
A:LEAF2B# info network-instance Blue-MAC-VRF-10
  network-instance Blue-MAC-VRF-10 {
    type mac-vrf
    interface ethernet-1/2.10 {
      !!! this is connected to a single-homed access server-2
    }
    interface lag1.10 {
      !!! access lag - multi-homed to access server-3
    }
    interface lag2.10 {
      !!! multi-homed to spines
    }
    vxlan-interface vxlan1.10 {
      !!! vxlan-interface used for inter-chassis connectivity only
    }
    protocols {
      bgp-evpn {
        bgp-instance 1 {
          admin-state enable
          vxlan-interface vxlan1.10
          evi 10
        }
      }
      bgp-vpn {
      }
    }
  }
}
```



# Customer document and product support



## Customer documentation

[Customer documentation welcome page](#)



## Technical support

[Product support portal](#)



## Documentation feedback

[Customer documentation feedback](#)