



Nokia Service Router Linux
7215 Interconnect System
7220 Interconnect Router
7250 Interconnect Router
7730 Service Interconnect Router
Release 25.3

Interfaces Guide

3HE 21407 AAAA TQZZA
Edition: 01
March 2025

Nokia is committed to diversity and inclusion. We are continuously reviewing our customer documentation and consulting with standards bodies to ensure that terminology is inclusive and aligned with the industry. Our future customer documentation will be updated accordingly.

This document includes Nokia proprietary and confidential information, which may not be distributed or disclosed to any third parties without the prior written consent of Nokia.

This document is intended for use by Nokia's customers ("You"/"Your") in connection with a product purchased or licensed from any company within Nokia Group of Companies. Use this document as agreed. You agree to notify Nokia of any errors you may find in this document; however, should you elect to use this document for any purpose(s) for which it is not intended, You understand and warrant that any determinations You may make or actions You may take will be based upon Your independent judgment and analysis of the content of this document.

Nokia reserves the right to make changes to this document without notice. At all times, the controlling version is the one available on Nokia's site.

No part of this document may be modified.

NO WARRANTY OF ANY KIND, EITHER EXPRESS OR IMPLIED, INCLUDING BUT NOT LIMITED TO ANY WARRANTY OF AVAILABILITY, ACCURACY, RELIABILITY, TITLE, NON-INFRINGEMENT, MERCHANTABILITY OR FITNESS FOR A PARTICULAR PURPOSE, IS MADE IN RELATION TO THE CONTENT OF THIS DOCUMENT. IN NO EVENT WILL NOKIA BE LIABLE FOR ANY DAMAGES, INCLUDING BUT NOT LIMITED TO SPECIAL, DIRECT, INDIRECT, INCIDENTAL OR CONSEQUENTIAL OR ANY LOSSES, SUCH AS BUT NOT LIMITED TO LOSS OF PROFIT, REVENUE, BUSINESS INTERRUPTION, BUSINESS OPPORTUNITY OR DATA THAT MAY ARISE FROM THE USE OF THIS DOCUMENT OR THE INFORMATION IN IT, EVEN IN THE CASE OF ERRORS IN OR OMISSIONS FROM THIS DOCUMENT OR ITS CONTENT.

Copyright and trademark: Nokia is a registered trademark of Nokia Corporation. Other product names mentioned in this document may be trademarks of their respective owners.

The registered trademark Linux® is used pursuant to a sublicense from the Linux Foundation, the exclusive licensee of Linus Torvalds, owner of the mark on a worldwide basis.

© 2025 Nokia.

Table of contents

1	About this guide.....	7
1.1	Precautionary and information messages.....	7
1.2	Conventions.....	7
2	What's new.....	9
3	Interfaces.....	10
4	Linux interface naming conventions.....	12
5	Basic interface configuration.....	13
6	Subinterfaces.....	14
6.1	Routed and bridged subinterfaces.....	14
6.2	Subinterface naming conventions.....	14
6.3	Basic subinterface configuration.....	15
6.4	IPv4 unnumbered interfaces.....	16
6.4.1	Configuring an IPv4 unnumbered subinterface.....	17
6.5	IPv6 address assignment in SR Linux.....	18
6.5.1	Assigning IPv6 addresses to a subinterface.....	19
6.6	Subinterface VLAN configuration.....	20
6.6.1	Null encapsulated bridged subinterfaces.....	21
6.6.2	Dot1q tagged bridged subinterfaces.....	21
6.6.3	Dot1q VLAN ranges on bridged subinterfaces.....	22
6.6.3.1	Configuring Dot1q VLAN ranges on a bridged subinterface.....	25
6.6.3.2	Displaying Dot1q VLAN range information.....	25
6.6.4	QinQ bridged subinterfaces.....	26
6.6.5	Platform specifications for VLAN tagging support.....	28
6.7	VLAN tag TPID configuration.....	29
6.7.1	Configuring the VLAN tag TPID for an interface.....	30
6.7.2	Displaying the VLAN tag TPID.....	31
6.8	Bridged subinterface configuration.....	31
7	IRB interfaces.....	33

7.1	IRB interface configuration.....	34
8	Displaying interface statistics.....	35
8.1	Clearing interface statistics.....	36
9	Displaying subinterface statistics.....	37
9.1	Clearing subinterface statistics.....	39
10	Displaying interface status.....	40
11	Configuring interface delay.....	46
12	LLDP.....	47
12.1	LLDP implementation in SR Linux.....	47
12.2	LLDP transmitting system capabilities TLV.....	48
12.3	Configuring LLDP.....	48
12.4	Displaying LLDP neighbor information.....	49
12.5	Displaying LLDP statistics.....	50
12.6	Clearing LLDP statistics.....	51
13	LAG.....	53
13.1	Min-link threshold.....	53
13.2	LACP.....	53
13.2.1	LACP fallback.....	53
13.3	LAG configuration.....	54
13.3.1	Configuring the min-link threshold.....	55
13.3.2	Configuring LACP and LACP fallback.....	55
13.3.3	Forwarding viability configuration for LAG members.....	56
13.3.3.1	Configuring forwarding viability for a LAG member.....	57
13.4	Displaying LAG interface statistics.....	57
13.4.1	Clearing LAG interface statistics.....	58
14	MTU.....	59
14.1	Port MRU.....	59
14.2	Port MTU.....	59
14.3	IP MTU.....	60
14.4	MPLS MTU.....	60

15	Breakout ports	62
15.1	Configuring breakout mode for an interface.....	67
16	Physical port and VLAN loopback	69
16.1	Configuring loopback mode.....	70
17	PHY-to-port-group mapping (7220 IXR-D2 and 7220 IXR-D2L only)	72
17.1	Displaying the members of a port group.....	72
18	IPv4 ARP and IPv6 ND	74
18.1	IPv4 ARP.....	74
18.1.1	Configuring static ARP entries.....	75
18.1.2	Configuring dynamic ARP timeout.....	76
18.1.3	Disabling ARP address conflict detection.....	76
18.2	IPv6 Neighbor Discovery.....	76
18.2.1	Configuring static ND entries.....	77
18.2.2	Configuring ND reachable time and stale time.....	78
18.2.3	Configuring IPv6 neighbor limit on subinterfaces.....	78
19	DHCP relay	80
19.1	DHCP relay for IPv4.....	81
19.1.1	Configuring DHCP relay for IPv4.....	86
19.1.2	Using the GIADDR as the source address for DHCP Discover/Request packets.....	87
19.1.3	Trusted and untrusted DHCP requests.....	88
19.2	DHCP relay for IPv6.....	89
19.2.1	Configuring DHCP relay for IPv6.....	91
19.3	QoS for DHCP relay.....	93
19.4	DHCP relay operational down reasons.....	93
19.5	Updating domain name resolution for DHCP-relay server FQDNs.....	93
19.6	Displaying DHCP relay statistics.....	94
19.6.1	Clearing DHCP relay statistics.....	94
20	DHCP server	96
20.1	Configuring the DHCP server.....	97
21	IPv6 router advertisements	100

21.1	Configuring IPv6 router advertisements.....	100
22	IPv6 Router Advertisement guard (RA guard).....	101
22.1	Configuring IPv6 RA guard policies.....	102
22.2	Applying IPv6 RA guard policies to subinterfaces.....	102
23	Interface port speed configuration.....	104
23.1	Configuring interface port speed.....	106
23.2	Configuring link auto-negotiation (7220 IXR-D1 only).....	107
24	Interface hold timers.....	108
24.1	Configuring interface hold timers.....	108
25	Reload-delay timer.....	110
25.1	Configuring the reload-delay timer for an interface.....	111

1 About this guide

This document describes interfaces used with Nokia Service Router Linux (SR Linux). Examples of commonly used commands are provided.

This document is intended for network technicians, administrators, operators, service providers, and others who need to understand how the router is configured.

**Note:**

This manual covers the current release and may also contain some content that will be released in later maintenance loads. See the *SR Linux Software Release Notes* for information on features supported in each load.

Configuration and command outputs shown in this guide are examples only; actual displays may differ depending on supported functionality and user configuration.

1.1 Precautionary and information messages

The following are information symbols used in the documentation.



DANGER: Danger warns that the described activity or situation may result in serious personal injury or death. An electric shock hazard could exist. Before you begin work on this equipment, be aware of hazards involving electrical circuitry, be familiar with networking environments, and implement accident prevention procedures.



WARNING: Warning indicates that the described activity or situation may, or will, cause equipment damage, serious performance problems, or loss of data.



Caution: Caution indicates that the described activity or situation may reduce your component or system performance.



Note: Note provides additional operational information.



Tip: Tip provides suggestions for use or best practices.

1.2 Conventions

Nokia SR Linux documentation uses the following command conventions.

- **Bold** type indicates a command that the user must enter.
- Input and output examples are displayed in Courier text.
- An open right-angle bracket indicates a progression of menu choices or simple command sequence (often selected from a user interface). Example: **start** > **connect to**.
- A vertical bar (|) indicates a mutually exclusive argument.

- Square brackets ([]) indicate optional elements.
- Braces ({ }) indicate a required choice. When braces are contained within square brackets, they indicate a required choice within an optional element.
- *Italic* type indicates a variable.

Generic IP addresses are used in examples. Replace these with the appropriate IP addresses used in the system.

2 What's new

Topic	Location
Updated definitions and operation for terminal loopback and facility loopback.	Physical port and VLAN loopback
Support for SR Linux DHCP server sending interface-mtu (DHCP option 26) and classless static-route (DHCP option 121) to a host.	DHCP server
Breakout and port speed information for 7220 IXR-H4-32D.	Breakout ports Interface port speed configuration
Support for indicating media dependent adapter (MDA) slot in interface name.	Interfaces

3 Interfaces

In SR Linux, an interface is any physical or logical port through which packets can be sent to or received from other devices. SR Linux supports the following interface types:

- Loopback

A loopback interface is a virtual interface that is always up, providing a stable source or destination from which packets can always be originated or received. SR Linux supports up to 256 loopback interfaces system-wide, across all network-instances. Loopback interfaces are named `loN`, where `N` is 0 to 255.

- System

The system interface is a type of loopback interface that has characteristics that do not apply to regular loopback interfaces:

- The system interface can be bound to the default network-instance only.
- The system interface does not support multiple IPv4 addresses or multiple IPv6 addresses.
- The system interface cannot be administratively disabled. Once configured, it is always up.

SR Linux supports a single system interface named `system0`. When the system interface is bound to the default network-instance, and an IPv4 address is configured for it, the IPv4 address is the default local address for multi-hop BGP sessions to IPv4 neighbors established by the default network-instance, and it is the default IPv4 source address for IPv4 VXLAN tunnels established by the default network-instance. The same functionality applies with respect to IPv6 addresses / IPv6 BGP neighbors / IPv6 VXLAN tunnels.

- Network

Network interfaces carry transit traffic, as well as originate and terminate control plane traffic and in-band management traffic.

The physical ports in line cards installed in the SR Linux device are network interfaces. A typical line card has a number of front-panel cages, each accepting a pluggable transceiver. Each transceiver may support a single channel or multiple channels, supporting one Ethernet port or multiple Ethernet ports, depending on the transceiver type and its breakout options.

In the SR Linux CLI, each network interface has a name that indicates its type and its location in the chassis. The location is specified using the following formats:

```
ethernet-slot[/mda-slot]/[connector]/port
```

where:

- *slot* is a slot number (1 to 9). On 7220 IXR-Dx and 7220 IXR-Hx fixed systems there is only one slot, numbered 1; even though no other slot value is possible, the slot number 1 is still part of the interface name.
- *mda-slot* is a number representing the media dependent adapter (MDA) position within the parent card or chassis on devices that support MDA assemblies.
- *connector* is a number indicating the front-panel connector/cage to which a breakout cable is connected. It is omitted when there is no breakout configuration.
- *port* is a number referring to the front-panel connector/cage to which a non-breakout cable is connected, or else it refers to the channel number (1 to 4) in a breakout configuration.

For example:

- Interface ethernet - 1/1 can refer to port 1 of a 7220 IXR-Dx system or to port 1 of the 7250 IXR IMM installed in slot 1.
- Interface ethernet - 2/1 refers to port 1 of the 7250 IXR IMM installed in slot 2.
- Interface ethernet - 1/1/1 can refer to breakout port 1 of connector 1 in a 7220 IXR-Dx chassis.
- Interface ethernet - 1/m1/2/4 refers to breakout port 4 of connector 2 on the first MDA of the chassis.

- Management

Management interfaces are used for out-of-band management traffic. SR Linux supports a single management interface named `mgmt0`.

The `mgmt0` interface supports the same functionality and defaults as a network interface, except for the following:

- Packets sent and received on the `mgmt0` interface are processed completely in software.
- The `mgmt0` interface does not support multiple output queues, so there is no output traffic differentiation based on forwarding class.
- The `mgmt0` interface does not support pluggable optics. It is a fixed 10/100/1000-BaseT copper port.

- Integrated routing and bridging (IRB)

IRB interfaces enable inter-subnet forwarding. Network-instances of type **mac-vrf** are associated with a Layer 3 network-instance of type **ip-vrf** or type **default** via an IRB interface.

IRB interfaces are named `irbN`, where *N* is 0 to 255. See [IRB interfaces](#).

In SR Linux, each loopback, network, management, and IRB interface can be subdivided into one or more subinterfaces. See [Subinterfaces](#).

4 Linux interface naming conventions

Every type of SR Linux interface has an underlying interface in the Linux OS. These interfaces have names that adhere to Linux restrictions (maximum 15 characters and no slashes). The Linux interface name formats are as follows:

- Loopback interfaces: `loN`, where *N* is 0 to 255; for example, `lo0`
- Network interfaces: `eslot-port-subinterface`; for example, `e4-2-1`
- Management interface: `mgmt0`
- System interface: `system0`
- LAG interface: `lagN`
- IRB interface: `irbN`

5 Basic interface configuration

The following example shows a configuration for interface basic parameters, including administratively enabling the interface, specifying a description, and setting the MTU. The settings apply to any subinterfaces on the port, unless overridden in the subinterface configuration.

```
--{ * candidate shared default }--[ ]--  
# info interface ethernet-1/2  
interface ethernet-1/2  
  description Sample_interface_config  
  admin-state enable  
  mtu 1500
```

6 Subinterfaces

In SR Linux, each loopback, network, management, and IRB interface can be subdivided into one or more subinterfaces. A subinterface is a logical channel within its parent interface.

Traffic belonging to one subinterface can be distinguished from traffic belonging to other subinterfaces of the same port using encapsulation methods such as 802.1Q VLAN tags.

While each port can be considered a shared resource of the router that is usable by all network-instances, a subinterface can only be associated with one network-instance at a time. To move a subinterface from one network-instance to another, you must disassociate it from the first network-instance before associating it with the second network-instance.

You can configure ACL policies to filter IPv4 and IPv6 packets entering or leaving a subinterface. See the *SR Linux ACL and Traffic Steering Guide*.

SR Linux supports policies for assigning traffic on a subinterface to forwarding classes or remarking traffic at egress before it leaves the router. DSCP classifier policies map incoming packets to the appropriate forwarding classes, and DSCP rewrite-rule policies mark outgoing packets with an appropriate DSCP value based on the forwarding class.

6.1 Routed and bridged subinterfaces

SR Linux subinterfaces can be specified as type routed or bridged:

- Routed subinterfaces can be assigned to a network-instance of type **mgmt**, **default**, or **ip-vrf**.
- Bridged subinterfaces can be assigned to a network-instance of type **mac-vrf**.

Routed subinterfaces allow for configuration of IPv4 and IPv6 settings, and bridged subinterfaces allow for configuration of bridge table and VLAN ingress/egress mapping.

6.2 Subinterface naming conventions

The CLI name of a subinterface is the name of its parent interface followed by a dot (.) and an index number that is unique within the scope of the parent interface. For example, the subinterface named `ethernet - 2/1.0` is a subinterface of `ethernet - 2/1`, and it has index number 0.

- Each loopback interface (`loN`) can only have one subinterface, and the index number can be in the range 0 to 255.
- Each network interface (`ethernet - slot/port`) where the **vlan-tagging** parameter is set to **false** can have one subinterface, and the index number can be in the range 0 to 9999.
- Each network interface where the **vlan-tagging** parameter is set to **true** can have up to 4096 subinterfaces (up to 1024 of type routed and 3072 of type bridged) with each subinterface assigned a unique index number in the range 0 to 9999.
- The management and system interfaces (`mgmt0` and `system0`) can only have one subinterface, with an index number of 0.

The Linux name of a subinterface adheres to Linux restrictions (maximum 15 characters and no slashes). For example, the subinterface named ethernet-2/1.0 has the Linux name e2-1.0.

6.3 Basic subinterface configuration

For IPv4 packets to be sourced from a subinterface, the IPv4 address family must be enabled on the subinterface and the subinterface must be configured with an IPv4 address and prefix length that indicates the other IPv4 hosts reachable on the same subnet.

A subinterface can have up to 64 IPv4 prefixes assigned to it. One or more of these can be optionally configured as a primary candidate. Within the set of IPv4 prefixes configured as primary candidates, the lowest IPv4 address that does not fail duplicate address detection is selected as the primary address for the subinterface. The primary address is used by upper layer protocols that need to choose only one IPv4 address from which to source their messages, as well as for information about this interface displayed with the **info from state** command. If there is no suitable address in the set of IPv4 prefixes configured as primary candidates (or if no IPv4 prefix is configured as primary), a selection is made from the IPv4 prefixes not configured as primary candidates.

For IPv6 packets to be sourced from a subinterface, the IPv6 address family must be enabled on the subinterface, which must be configured with a global unicast IPv6 address and prefix length. The address can be configured statically or obtained from a DHCP server.

A subinterface can have up to 16 global unicast IPv6 addresses and prefixes assigned to it. One or more of these can be optionally configured as a primary candidate. Within the set of IPv6 prefixes configured as primary candidates, the lowest IPv6 address that does not fail duplicate address detection is selected as the primary address for the subinterface. The primary address is used by upper layer protocols that need to choose only one IPv6 address from which to source their messages, as well as for information about this interface displayed with the **info from state** command. If there is no suitable address in the set of IPv6 prefixes configured as primary candidates (or if no IPv6 prefix is configured as primary), a selection is made from the IPv6 prefixes not configured as primary candidates.

The following example shows basic parameters for a subinterface configuration, including IPv4 and IPv6 addresses and prefix lengths.

The configuration for subinterface 1 administratively enables the subinterface, and specifies a DSCP classifier policy that assigns input IPv4 traffic to a queue based on the 6-bit DSCP value in the IP header.

The configuration for subinterface 2 administratively enables the subinterface, and configures multiple IPv4 and IPv6 addresses and prefix lengths. The primary IPv4 address for the subinterface is selected from among the set of IPv4 prefixes configured as primary candidates; the selected IPv4 address is the numerically lowest address that does not fail duplicate address detection. The global unicast IPv6 address for the subinterface is selected from the IPv6 prefix configured as primary. The selected global unicast IPv6 address is the numerically lowest address that does not fail duplicate address detection.

```
--{ * candidate shared default }--[ ]--
# info interface ethernet-1/2
  interface ethernet-1/2
    description Sample_interface_config
    admin-state enable
    mtu 1500
    subinterface 1 {
      admin-state enable
      ipv4 {
        admin-state enable
      }
    }
  }
```

```

    }
    ipv6 {
        admin-state enable
        address 2001:1::192:168:12:1/126 {
        }
    }
    qos {
        input {
            classifiers {
                ipv4-dscp 1
            }
        }
    }
}
subinterface 2 {
    admin-state enable
    ipv4 {
        admin-state enable
        address 192.168.12.1/30 {
            primary
        }
        address 192.168.12.2/30 {
            primary
        }
        address 192.168.12.2/30 {
        }
    }
    ipv6 {
        admin-state enable
        address 2001:1::192:168:12:2/126 {
            primary
        }
        address 2001:1::192:168:12:3/126 {
        }
    }
}
}

```

6.4 IPv4 unnumbered interfaces

An IPv4 unnumbered interface is an interface of the router that is enabled for sending and receiving IPv4 packets, but has no configured IPv4 address of its own. When the router needs to send IPv4 packets from this interface, it borrows the IPv4 source address from another interface that is numbered; that is, one that has its own, explicitly configured IPv4 address. The IPv4 address can only be borrowed from an interface that is up, so the borrowed address is almost always a loopback or system address.

IPv6 unnumbered interfaces exist, but they are not widely used because an IPv6-enabled interface always has an IPv6 link-local address. The only benefit of borrowing an IPv6 address from another interface is to borrow a global-unicast IPv6 address from the other interface. SR Linux does not support IPv6 unnumbered interfaces.

Using IPv4 unnumbered interfaces can lead to simplified network design, where each router has minimally just one IPv4 address, assigned to a loopback/system interface. When Router A is connected by a link to Router B, Router A borrows the address of its loopback, and Router B borrows the address of its loopback. There is no need to allocate a unique IPv4 subnet for the link and no need to coordinate the addresses at each end. This allows a plug-and-play approach and greatly simplifies the reconfiguration effort required if physical connectivity is changed.

Unnumbered interfaces can also simplify control plane protection configuration because CPM-filters (or the equivalent) protect traffic that is terminated by the loopback/system address and require no modification when new interfaces are added.

Routing protocol support for unnumbered interfaces in SR Linux is as follows:

- OSPFv2 and OSPFv3 adjacencies can form over unnumbered interfaces, but they are always P2P (point-to-point) adjacencies. If the interface-type is configured as broadcast, the operational interface-type is forced back to point-to-point.
- IS-IS adjacencies can form over unnumbered interfaces, but they are always P2P adjacencies. If the interface-type is configured as broadcast, the operational interface-type is forced back to point-to-point.
- iBGP and multi-hop eBGP sessions can form over unnumbered interfaces.
- LDP and SR-ISIS support unnumbered interfaces.

IPv4 unnumbered interfaces are supported on routed subinterfaces of ethernet and lagN interfaces.

A subinterface of a network-instance can borrow an IPv4 address from any other subinterface of that network-instance, as long as that other subinterface is not a mgmt subinterface.

If the interface configuration points to a subinterface in a different network-instance or a subinterface not bound to any network-instance at all, the subinterface remains operationally down with respect to IPv4 forwarding. If the interface configuration points to a subinterface with multiple IPv4 addresses, the primary IPv4 address of the subinterface is the borrowed address.

If the interface configuration points to a subinterface that is operationally down (or where IPv4 is operationally down), the borrowing subinterface remains operationally down with respect to IPv4 forwarding. If the interface configuration points to a subinterface that has no IPv4 addresses, the borrowing subinterface remains operationally down with respect to IPv4 forwarding.

When an ICMP message is transmitted from an unnumbered IPv4 subinterface, the source address is the borrowed address.

6.4.1 Configuring an IPv4 unnumbered subinterface

Procedure

To configure an IPv4 unnumbered subinterface, you administratively enable the unnumbered subinterface and specify the interface the unnumbered subinterface borrows its address from. If you configure a subinterface as unnumbered, you cannot assign an IPv4 address to it.

Example

The following example enables an IPv4 unnumbered subinterface. The subinterface is configured to borrow the address of loopback interface lo0.1.

```
--{ * candidate shared default }--[ ]--
# info interface ethernet-1/8 subinterface 1 ipv4
  interface ethernet-1/8 {
    subinterface 1 {
      ipv4 {
        admin-state enable
        unnumbered {
          admin-state enable
          interface lo0.1
        }
      }
    }
  }
```

```
}

```

6.5 IPv6 address assignment in SR Linux

A routed subinterface becomes operational for IPv6 forwarding when `interface.subinterface.ipv6.admin-state` is set to `enable`.

To assign a global-unicast IPv6 address to a routed subinterface, you must provide a host address and a prefix-length. In SR Linux, the address and prefix-length are subject to the following restrictions:

- `::/128` is disallowed (special reserved address for unspecified)
- `::1/128` is disallowed (special reserved address for loopback)
- Addresses in the block `ff00::/8` are disallowed (special reserved addresses for multicast)

In SR Linux, some types of routed subinterfaces support assignment of multiple IPv6 global-unicast addresses to a single interface. The maximum number of IPv6 global unicast addresses that can be assigned to each routed subinterface is summarized in the following table.

Table 1: Maximum IPv6 global-unicast addresses for routed subinterface types

Subinterface	Maximum IPv6 addresses
system0.0	1
mgmt0.0	1
lo<N>.x	16
lag<N>.x	16
irb<N>.x	16
ethernet-<slot>/<connector>/<port>.x	16

On a particular routed subinterface, each global-unicast IPv6 address must be unique, but the subnets that result from applying the prefix-length masks can create overlap. For example, it is possible to assign `2001::1/64`, `2001::2/64`, and `2001::3/64` to the same subinterface. This can lead to ambiguity when a locally originated packet is destined for an address such as `2001::5`. SR Linux chooses the source address based on the longest prefix match of the destination address; if there are still multiple choices, the numerically lowest IP address is selected. For this example, `2001::1` is used as a local address when you issue a `ping 2001::5` command.

On a routed subinterface that supports multiple global-unicast IPv6 addresses, one of them is selected as the primary IPv6 address. The primary address is used by upper-layer protocols that need to choose only one IPv6 global-unicast address from which to source their messages. You can influence the election algorithm by configuring one or more IPv6 addresses as primary; this set of IPv6 addresses are the preferred candidates. The system elects the lowest IP address among the members of the preferred set that did not fail duplicate address detection (DAD). If no addresses are preferred or else all the preferred addresses fail DAD validation then the system elects the lowest IP address among the members of the non-preferred set that did not fail duplicate address detection (DAD). The elected address is the single address that has the primary leaf in the output of `info` from `state` commands.

IPv6 LLA assignment

If a subinterface has a statically configured IPv6 address in the IPv6 link-local block (FE80::/10), the system publishes this address as the IPv6 link-local address (LLA) of the interface. If the configuration of the subinterface has no IPv6 address in the IPv6 link-local block, the system generates an IPv6 link-local address for assignment to the subinterface.

The link-local IPv6 address is generated from the MAC address of the subinterface, which is itself derived from the MAC address of the port. The address generation process converts the 48-bit MAC address into a 64-bit EUI-64 address, and this EUI-64 address becomes the host portion of the FE80::/10 prefix.

When the static or generated IPv6 LLA is programmed, the subinterface can receive IPv6 packets with any of the following destinations:

- IPv6 LLA
- Solicited-node multicast address for the LLA
- ff02::1 (all IPv6 devices)
- ff02::2 (all IPv6 routers)

To terminate (as a host) IPv6 unicast packets originated by remote devices (that is, devices not connected to the local link), one or more IPv6 global unicast addresses must be assigned to the subinterface.

Several routing protocols including BFD, IS-IS, OSPFv3, and BGP can establish a session between two interfaces on the same link that have a link-local address but no IPv6 global-unicast address.

- For BGP, the local-address of a static BGP session of any type cannot be configured as an LLA; however, the local TCP connection endpoint (and BGP next-hop-self) automatically uses the LLA when the neighbor address is link-local.

If the neighbor address is defined as an LLA (with the subinterface name to scope the address), the session comes up only if it is eBGP. iBGP peers do not come up because they are presumed to be multi-hop.

Dynamic sessions are not accepted if they come from an IPv6 LLA.

- BFD sessions tied to IS-IS adjacencies that were discovered from a Hello that included an IPv6 LLA, and BFD sessions tied to BGP sessions established between link-local addresses do not establish.

6.5.1 Assigning IPv6 addresses to a subinterface

Procedure

You can configure one or more IPv6 addresses on a subinterface. [This table](#) lists the number of global-unicast IPv6 addresses that can be configured on each type of subinterface.

Example: Configuring primary IPv6 addresses

The following example configures three IPv6 addresses on a subinterface. Two addresses are configured as primary. Upper-layer protocols prefer the primary addresses when selecting an IPv6 address from which to source their messages.

```
--{ * candidate shared default }--[ ]--
# info interface ethernet-1/12 subinterface 1 ipv6
  interface ethernet-1/12 {
    subinterface 1 {
      ipv6 {
        admin-state enable
      }
    }
  }
}
```

```

        address 2001:db8:1:1::2/64 {
            primary
        }
        address 2001:db8:2:1::2/64 {
            primary
        }
        address 2001:db8:3:1::2/64 {
        }
    }
}

```

Example: Configuring a static IPv6 link-local address

The following example configures a static IPv6 LLA for a subinterface.

```

--{ * candidate shared default }--[ ]--
# info interface ethernet-1/12 subinterface 1 ipv6
  interface ethernet-1/12 {
    subinterface 1 {
      ipv6 {
        admin-state enable
        address fe80::1:2/64 {
          type link-local-unicast
        }
      }
    }
  }
}

```

The system automatically generates an IPv6 LLA (fe80::/10 + EUI-64 identifier derived from the MAC address) if the `ipv6` container is present in the configuration. When you configure a static IPv6 LLA, as in the example above, the configured static LLA overrides the system-generated LLA. If you delete the static LLA, the subinterface reverts to the system-generated LLA. Only one LLA is supported per subinterface.

6.6 Subinterface VLAN configuration

When the **vlan-tagging** parameter is set to **true** for a network interface, the interface can accept ethertype 0x8100 frames with one or more VLAN tags. The interface can be configured with up to 4096 subinterfaces, each with a separate index number.

The following example enables VLAN tagging for an interface and configures two subinterfaces. Single-tagged packets received on subinterface `ethernet-2/1.2` are encapsulated with VLAN ID 101.

```

--{ * candidate shared default }--[ ]--
# info interface ethernet-2/1
  interface ethernet-2/1 {
    admin-state enable
    vlan-tagging true
    subinterface 1 {
      admin-state enable
      vlan {
        encap {
          single-tagged {
            vlan-id 100
          }
        }
      }
    }
  }
}

```

```

}
subinterface 2 {
  admin-state enable
  vlan {
    encap {
      single-tagged {
        vlan-id 101
      }
    }
  }
}
}
}
}

```

6.6.1 Null encapsulated bridged subinterfaces

Untagged bridged and routed subinterfaces are supported on all platforms that support bridged subinterfaces, including 7220 IXR-Dx, 7215 IXS, 7250 IXR, and 7730 SXR platforms.

When a subinterface is untagged bridged and routed, the Ethernet interface is configured as **vlan-tagging false**.

Only one untagged subinterface is supported on an Ethernet interface.

All incoming frames on the interface are classified into the untagged subinterface whether the frames are tagged or untagged.

Example: Untagged interface configuration

```

--{ * candidate shared default }--[ interface ethernet-1/1 ]--
A:srl1# info
  admin-state enable
  vlan-tagging false
  subinterface 1 {
    type bridged
  }

```

6.6.2 Dot1q tagged bridged subinterfaces

Dot1q tagged bridged subinterfaces are supported on 7220 IXR-Dx, 7215 IXS, 7250 IXR, and 7730 SXR platforms.

When a bridged subinterface is Dot1q tagged, the Ethernet interface is configured as **vlan-tagging true** and multiple subinterfaces are supported on the same interface.

Ingress traffic is classified into a subinterface based on the associated Dot1q tagging.

The following table describes the possible subinterfaces that traffic is classified into.

Table 2: Dot1q tagged bridged subinterfaces

Subinterface type	VLAN ID configuration	Description	Platform support
subinterface vlan encap untagged	—	Untagged traffic is classified into the subinterface.	7220 IXR-Dx 7215 IXS-A1 7250 IXR

Subinterface type	VLAN ID configuration	Description	Platform support
		On 7220 IXR-Dx and 7215 IXS-A1 platforms, frames tagged with vlan-id=0 are also classified into this subinterface.	7730 SXR
subinterface vlan encap single-tagged	vlan-id = 1 to 4094	Dot1q tagged traffic is classified into the subinterface. When vlan-id is configured to a specific value, it is popped on ingress and pushed on egress (default). The vlan-id is service-delimiting.	7220 IXR-Dx 7215 IXS-A1 7250 IXR 7730 SXR
subinterface vlan encap single-tagged	vlan-id = optional	Dot1q tagged and untagged traffic is classified into the subinterface. If vlan-id = optional , any non-specified value (or untagged value) is classified into the subinterface. There are no service-delimiting VLAN tags on the subinterface.	7220 IXR-Dx 7215 IXS-A1 7250 IXR 7730 SXR
subinterface vlan encap single-tagged	vlan-id = any	Dot1q tagged traffic is classified into the subinterface. If vlan-id = any , any non-specified value (but a tag must always exist) is classified into the subinterface. There are no service-delimiting VLAN tags on the subinterface.	7730 SXR

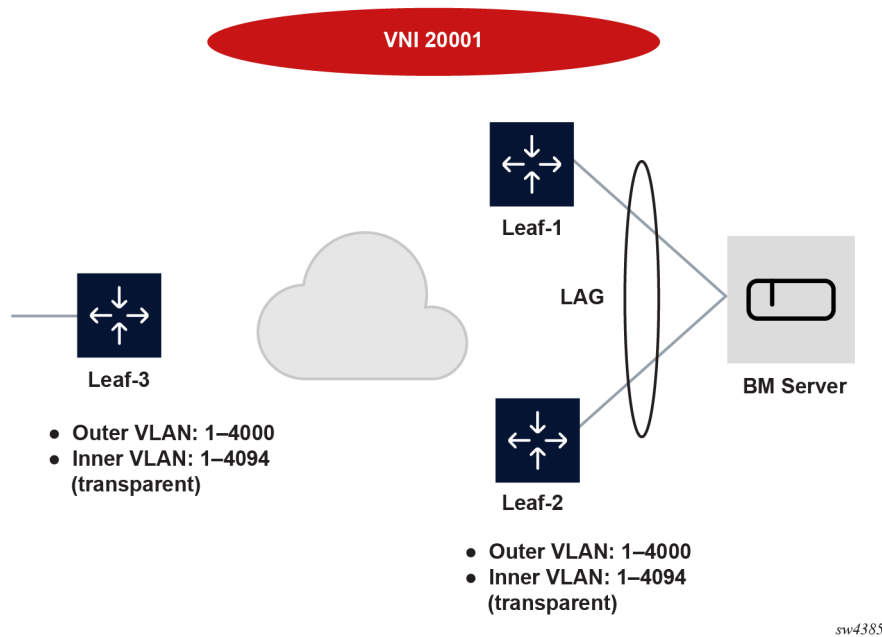
6.6.3 Dot1q VLAN ranges on bridged subinterfaces

Bridged subinterfaces support Dot1q VLAN ranges. When a bridged subinterface is configured for a Dot1q VLAN range, traffic matching any VLAN in the range is associated with the bridged subinterface.

For example, you can configure a bridged subinterface with the Dot1q VLAN range 10 to 100. When an attached device sends traffic that has a VLAN ID in the range 10 through 100, the traffic is associated with the bridged subinterface.

A bridged subinterface can support a single VLAN range or multiple VLAN ranges. The following figure shows a configuration with a single VLAN range.

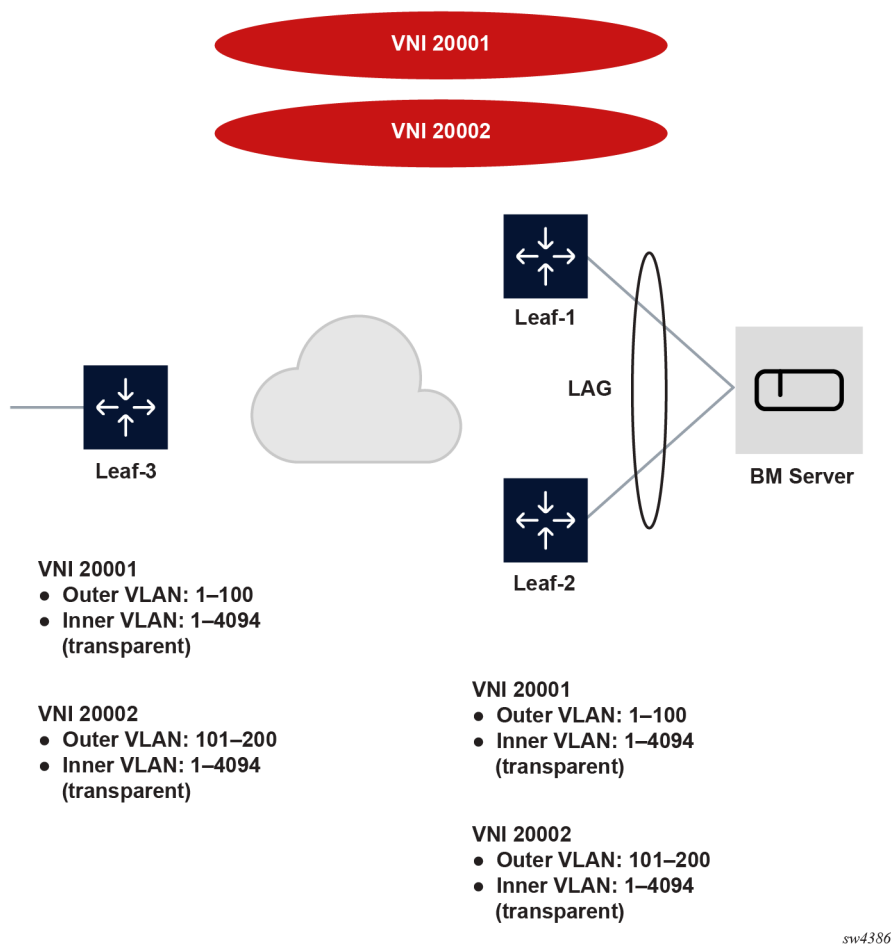
Figure 1: Single VLAN range on a bridged subinterface



In this figure, the Bare Metal (BM) server is attached to a MAC VRF, and LAG-bridged subinterfaces are associated with the Dot1q VLAN range 1-4000. Traffic issued by the BM server with a VLAN ID matching any value in the configured range is associated with the bridged subinterface. VLAN IDs 4001-4095 are not associated with the subinterface.

The following figure shows a configuration with multiple VLAN ranges associated with a bridged subinterface.

Figure 2: Multiple VLAN ranges on a bridged subinterface



In this figure, VLAN ranges are selectively associated with a mac-vrf. VLAN IDs 1–100 are associated with MAC-VRF 20001 (which uses VNI 20001), and VLAN IDs 101–200 are associated with MAC-VRF 20002 (which uses VNI 20002).

In both figures, it is expected that all the leaf nodes attached to the same BD use the same VLAN ranges on all their bridged subinterfaces for the mac-vrf. The Dot1q VLAN tags of the incoming frames are not stripped off at the ingress subinterface. At the egress subinterface (which is configured with the same VLAN range as the ingress subinterface), no additional Dot1q tag is pushed onto the frames.

An SR Linux system can support up to 8,000 subinterfaces that have VLAN ranges, with up to 8 VLAN ranges per interface.

VLAN ranges can be configured on bridged subinterfaces of a mac-vrf with or without IRB subinterfaces. When an IRB subinterface is present in the same mac-vrf where the VLAN range subinterface is configured, incoming frames containing tags with a MAC DA equal to the IRB and associated with a Dot1q VLAN range subinterface are dropped. On egress, traffic coming from the IRB is not tagged if the destination is associated with a VLAN range subinterface.

VLAN ranges cannot overlap within the same subinterface or across subinterfaces of the same physical interface. In addition, ranges configured in subinterface *a* and individual VLAN ID values configured in a single-tagged subinterface *b* cannot overlap if *a* and *b* are defined in the same interface.

6.6.3.1 Configuring Dot1q VLAN ranges on a bridged subinterface

Procedure

To configure a Dot1q VLAN range, specify the lower and upper values for the range. A subinterface can have multiple ranges associated with it.

Example

The following example configures a range of VLAN IDs associated with a bridged subinterface. Traffic matching any VLAN in the range is associated with the bridged subinterface.

```
--{ candidate shared default }--[ ]--
# info interface ethernet-1/1
  interface ethernet-1/1 {
    vlan-tagging true
    subinterface 1 {
      type bridged
      vlan {
        encap {
          single-tagged-range {
            low-vlan-id 10 {
              high-vlan-id 100
            }
          }
        }
      }
    }
  }
}
```

6.6.3.2 Displaying Dot1q VLAN range information

Procedure

Check the Encapsulation field of the **show interface** command for the configured Dot1q VLAN ranges for the interface.

Example

```
--{ candidate shared default }--[ ]--
# show interface lag1.1
=====
lag1.1 is up
  Network-instance: MAC-VRF-1
  Encapsulation   : vlan-id 1-10, 20-30
  Type            : bridged
=====
```

6.6.4 QinQ bridged subinterfaces

SR Linux supports QinQ bridged subinterfaces on 7250 IXR and 7730 SXR platforms. You can configure double-tagged subinterfaces when an Ethernet interface is configured as **vlan-tagging true**.

The **double-tagged** command enables QinQ subinterfaces in a given Ethernet interface and is only configured in bridged subinterfaces.

Both **inner-vlan-id** and **outer-vlan-id** must be configured.

The following table describes the possible subinterfaces that QinQ traffic is classified into.

Table 3: QinQ tagged bridged subinterfaces

Subinterface type	VLAN ID configuration	Description	Platform support
subinterface vlan encap double-tagged	inner-vlan-id = 1 to 4094 outer-vlan-id = 1 to 4094	QinQ tagged traffic is classified into the subinterface. Frames matching the specific inner and outer VLAN ID combination are classified into the subinterface. Both inner-vlan-id and outer-vlan-id are considered service-delimiting and are popped on ingress and pushed on egress.	7250 IXR and 7730 SXR
subinterface vlan encap double-tagged	inner-vlan-id = any outer-vlan-id = 1 to 4094	QinQ tagged traffic is classified into the subinterface. If inner-vlan-id = any , any frames with a non-specified value in the inner tag (but a tag must always exist) and a specified outer tag value are classified into the subinterface. In this case, only the outer-vlan-id is considered service-delimiting, therefore only the outer tag is popped on ingress and pushed on egress.	7730 SXR

Subinterface type	VLAN ID configuration	Description	Platform support
subinterface vlan encap double-tagged	inner-vlan-id = optional outer-vlan-id = optional	<p>Untagged, Dot1q, and QinQ tagged traffic is classified into the subinterface.</p> <p>If inner-vlan-id = any, and outer-vlan-id = any, untagged frames or tagged frames with non-specified values in the outer tag and inner tag are classified into the subinterface.</p> <p>There are no service-delimiting tag values in this case, therefore no tags are popped or pushed on these subinterfaces.</p>	7250 IXR and 7730 SXR

Untagged, single-tagged, and double-tagged subinterfaces are supported on the same Ethernet or LAG interface.

The following example shows untagged, single-tagged, and double-tagged subinterfaces under the same interface.

Example: Combined untagged, single-tagged, and double-tagged subinterface configuration

```
--{ * candidate shared default }--[ ]--
A:srl1# info interface ethernet-1/1
  interface ethernet-1/1 {
    description qinq-interface
    admin-state enable
    vlan-tagging true
    subinterface 1 {
      type bridged
      vlan {
        encap {
          single-tagged {
            vlan-id 1
          }
        }
      }
    }
    subinterface 2 {
      type bridged
      vlan {
        encap {
          double-tagged {
            inner-vlan-id 100
            outer-vlan-id 100
          }
        }
      }
    }
  }
}
```

```

}
subinterface 3 {
  type bridged
  vlan {
    encap {
      untagged {
        }
      }
    }
  }
}
}

```

6.6.5 Platform specifications for VLAN tagging support

The following table shows the different VLAN encapsulation options supported across platforms.

Table 4: QinQ and VLAN tagging options supported across platforms

Tagging option	7220 IXR-Dx	7250 IXR	7730 SXR	7215 IXS
vlan-tagging false	✓	✓	✓	✓
untagged	✓	✓	✓	✓
single-tagged-range	✓			
single-tagged vlan-id 1 to 4094	✓	✓	✓	✓
single-tagged vlan-id optional	✓	✓	✓	✓
single-tagged vlan-id any			✓	
double-tagged outer-vlan-id 1 to 4094 inner-vlan-id 1 to 4094		✓	✓	
double-tagged outer-vlan-id 1 to 4094 inner-vlan-id any			✓	
double-tagged outer-vlan-id optional inner- vlan-id optional		✓	✓	

Considerations on 7250 IXR platforms

The following considerations apply when Dot1q and QinQ subinterfaces are configured on the same interface on 7250 IXR platforms:

- **single-tagged vlan-id 1..4094** – accepts tags with the specified VLAN ID and more tags that can be part of the payload
- **single-tagged vlan-id optional** – accepts untagged traffic or traffic with any number of tags with a VLAN ID value in the range of 0 to 4094
- **double-tagged outer-vlan-id optional inner-vlan-id optional** – accepts untagged traffic or traffic tagged with any number of tags, each with a specific value in the range of 0 to 4094

**Note:**

The latter two options are not allowed on the same interface at the same time.

Considerations on 7730 SXR platforms

The following considerations apply when Dot1q and QinQ subinterfaces are configured on the same interface on 7730 SXR platforms:

- **single-tagged vlan-id 1 to 4094** – accepts tagged traffic with only one tag, whose value is the specified VLAN ID (no more than one tag is accepted in this subinterface)
- **single-tagged vlan-id optional** – accepts untagged traffic or traffic tagged with a maximum of one tag with a VLAN ID value in the range of 0 to 4094
- **single-tagged vlan-id any** – accepts frames with only one tag, with a VLAN ID value in the range of 0 to 4094
- **double-tagged outer-vlan-id 1 to 4094 inner-vlan-id any** – accepts only QinQ frames with the specified VLAN ID value in the outer tag and an inner tag with any VLAN ID value in the range of 0 to 4094
- **double-tagged outer-vlan-id optional inner-vlan-id optional** – accepts untagged traffic or tagged traffic with any number of tags and VLAN ID values

6.7 VLAN tag TPID configuration

The 802.1Q VLAN Tag Protocol Identifier (TPID) in the VLAN tag of an Ethernet frame indicates the protocol type of the VLAN tag. This feature allows you to configure the VLAN tag TPID that is used to classify frames as Dot1q on single-tagged interfaces or to push at egress; by default, the value of the VLAN tag TPID is 0x8100.

You can configure the following TPID values for an interface:

- **TPID_0X8100**
Default value typically used to identify 802.1Q single-tagged frames.
- **TPID_0X88A8**
Typical TPID value for 802.1Q provider bridging or QinQ S-tags.
- **TPID_0X9100**
Alternate TPID value for QinQ tags.
- **TPID_0X9200**
Alternate TPID value for QinQ tags.
- **TPID_ANY**
Wildcard that matches any of the generally used TPID values for single- or multi-tagged VLANs. This value is equivalent to matching any of TPID_0X8100, TPID_0X88A8, TPID_0X9100, or TPID_

0x9200 at ingress. At egress, if a tag needs to be pushed and TPID_ANY is configured, the default TPID value is used.

**Note:**

- On 7220 IXR-Dx platforms, when an interface is configured with **vlan-tagging = false**:
 - If a non-default TPID is configured, all ingress packets matching the non-default TPID are sent out with a value of TPID_0X8100. That is, the configuration is not rejected and it will reset the TPID to the default value when it matches the incoming frame's TPID.
 - If the offered TPID value in the frame is different from the TPID value configured on the null encapsulation interface, the offered TPID is retained.
 - If the configured TPID value is TPID_ANY, any non-default incoming TPID value is overwritten with 8100.
 - If no TPID is configured on the interface, traffic is forwarded retaining the incoming TPID value.
- On a Dot1q interface, if the configured TPID is (for example) TPID_0X88A8, the service-delimiting tags have TPID value 0x88a8, so frames received with that TPID may match a subinterface if they come with the appropriate VLAN ID. Frames with any other TPID value only match untagged interfaces or tagged interfaces with VLAN ID any, optional, or untagged.
- Only one TPID value can be configured per interface.
- The TPID pushed at egress is one of the following:
 - The configured TPID, if SR Linux is pushing a service-delimiting tag and the configured TPID is different from TPID_ANY.
 - The default TPID of 0x8100, if SR Linux is pushing a service-delimiting tag and the configured TPID is TPID_0X8100 or TPID_ANY.
- This feature is supported on all interfaces that support VLAN tagging (that is, all interfaces except for loopback, system, management, and IRB).
- For CPU injected packets, the configured interface TPID is used in injected unicast and multicast frames (in the context of the MAC-VRF flood group), so the configured TPID appears in CPM-outgoing Ethernet frames.
- When the TPID is configured on a LAG interface, the configuration is propagated to all LAG members.
- This feature is not supported on interfaces configured in breakout mode.
- This feature is supported on 7220 IXR and 7215 IXS platforms.

6.7.1 Configuring the VLAN tag TPID for an interface

Procedure

To configure the VLAN tag TPID for an interface, specify one of the TPID values listed in the previous topic.

Example

The following example configures the TPID_ANY wildcard for an interface. At ingress, this configuration matches TPID_0X8100, TPID_0X88A8, TPID_0X9100, or TPID_0x9200. SR Linux pushes the default TPID of 0x8100 to egress frames.

```
--{ candidate shared default }--[ ]--
# info interface ethernet-1/1
  interface ethernet-1/1 {
    vlan-tagging true
    tpid TPID_ANY
    subinterface 1 {
      vlan {
        encap {
          single-tagged {
            vlan-id 101
          }
        }
      }
    }
  }
}
```

6.7.2 Displaying the VLAN tag TPID

Procedure

Use the **show interface detail** command to display the VLAN tag TPID for an interface.

Example

```
--{ candidate shared default }--[ ]--
# show interface ethernet-1/12 detail
=====
Interface: ethernet-1/12
-----
Description      : dut2
Oper state       : up
Down reason      : N/A
Last change      : 47m6s ago, 1 flaps since last clear
Speed            : 100G
Flow control     : Rx is disabled, Tx is disabled
MTU              : 9232
VLAN tagging     : true
VLAN TPID      : 0x8100
Queues           : 8 output queues supported, 1 used since the last clear
MAC address      : 00:01:02:FF:00:0C
Last stats clear : 47m6s ago
Breakout mode    : false
```

6.8 Bridged subinterface configuration

Bridged subinterfaces are associated with a mac-vrf network-instance (see the Network-instances chapter in the *SR Linux Configuration Basics Guide*). On mac-vrf network-instances, traffic can be classified based on VLAN tagging. Interfaces where VLAN tagging is set to false or true can be used with mac-vrf network instances.

A default subinterface can be specified, which captures untagged and non-explicitly configured VLAN-tagged frames in tagged subinterfaces.

Within a tagged interface, a default subinterface (**vlan-id** value is set to **optional**) and an untagged subinterface can be configured. This kind of configuration behaves as follows:

- The **vlan-id optional** subinterface captures non-explicitly configured VLAN-tagged frames.
- The untagged subinterface captures untagged and packets with tag0 as outermost tag.

The **vlan-id** value can be configured as a specific valid number or with the keyword **optional**, which means any frame that does not hit the **vlan-id** configured in other subinterfaces of the same interface is classified in this subinterface.

In the following example, the `vlan encap untagged` setting is enabled for subinterface 1. This setting allows untagged frames to be captured on tagged interfaces.

For subinterface 2, the `vlan encap single-tagged vlan-id optional` setting allows non-configured VLAN IDs and untagged traffic to be classified to this subinterface.

With the `vlan encap untagged` setting on one subinterface, and the `vlan encap single-tagged vlan-id optional` setting on the other subinterface, traffic enters the appropriate subinterface; that is, traffic for unconfigured VLANs goes to subinterface 2, and tag0/untagged traffic goes to subinterface 1.

```
--{ candidate shared default }--[ ]--
# info interface ethernet-1/2
interface ethernet-1/2
  vlan-tagging true
  subinterface 1 {
    type bridged
    vlan {
      encap {
        untagged
      }
    }
  }
  subinterface 2 {
    type bridged
    vlan {
      encap {
        single-tagged {
          vlan-id optional
        }
      }
    }
  }
}
```


7 IRB interfaces

Integrated routing and bridging (IRB) interfaces enable inter-subnet forwarding. Network-instances of type **mac-vrf** are associated with a Layer 3 network-instance of type **ip-vrf** or type **default** via an IRB interface.

In SR Linux, IRB interfaces are named `irbN`, where `N` is 0 to 255. Up to 4095 subinterfaces can be defined under an IRB interface. An `ip-vrf` network instance can have multiple IRB subinterfaces, while a `mac-vrf` network instance can refer to only one IRB subinterface.

IRB subinterfaces are type **routed** and cannot be configured as any other type.

IRB subinterfaces operate in the same way as other routed subinterfaces, including support for the following:

- IPv4 and IPv6 ACLs
- DSCP based QoS (input and output classifiers and rewrite rules)
- Static routes and BGP (IPv4 and IPv6 families)
- IP MTU (with the same range of valid values as Ethernet subinterfaces)
- All settings in the `subinterface/ipv4` and `subinterface/ipv6` containers. For IPv6, the IRB subinterface also gets an IPv6 link local address
- BFD
- Subinterface statistics

IRB interfaces do not support sFlow or VLAN tagging.

When frames are coming into a bridged subinterface with the destination MAC matching the IRB MAC address, all VLAN tags are expected to be stripped off as a result of the ingress processing so that the packet can be routed correctly.

As an example, for a frame coming with one Dot1q VLAN tag with ID 10 and destination MAC matching the IRB MAC, the ingress processing strips off that VLAN tag if the subinterface is configured as `single-tagged vlan-id 10`. Then a routing lookup is done for the inner packet. In the same example, incoming frames are not expected with more than one VLAN tag with VLAN ID 10; however, depending on the platform, frames with additional payload VLAN tags may still be routed correctly, as follows:

- On 7220 IXR-Dx and 7730 SXR systems, frames with payload VLAN tags below the service-delimiting VLAN tags are discarded if their destination MAC address matches the IRB MAC.
- On 7250 IXR-6/10/6e/10e and 7250 IXR-X1b/X3b systems, frames with more than two payload VLAN tags below the service-delimiting VLAN tags are discarded if their destination MAC address matches the IRB MAC. Frames with fewer tags are accepted and routed.
- On 7215 IXS-A1 systems, frames with payload VLAN tags below the service-delimiting VLAN tags are discarded if their destination MAC address matches the IRB MAC. There is an exception to this rule: on a `vlan-id optional` subinterface, packets with one payload VLAN tag can still be routed. Routed packets are dropped if they contain more than one tag in these subinterfaces configured with `vlan-id optional`.

7.1 IRB interface configuration

The following example configures an IRB interface. The IRB interface is operationally up when its admin-state is enabled, and its IRB subinterfaces are operationally up when associated with mac-vrf and ip-vrf network instances. At least one IPv4 or IPv6 address must be configured for the IRB subinterface to be operationally up.

```
--{ candidate shared default }--[ ]--
# info interface irb1
  interface irb1 {
    description IRB_Interface
    admin-state enable
    subinterface 1 {
      admin-state enable
      ipv4 {
        admin-state enable
        address 192.168.1.1/24 {
        }
      }
    }
  }
}
```

8 Displaying interface statistics

Procedure

To display statistics for a specific interface, use the **info from state** command in candidate or running mode, or the **info** command in state mode.

Example

```
--{ candidate shared default }--[ ]--
# info from state interface ethernet-1/2
interface ethernet-1/2 {
  admin-state enable
  mtu 9232
  loopback-mode false
  ifindex 49150
  oper-state up
  last-change "an hour ago"
  linecard 1
  forwarding-complex 0
  vlan-tagging false
  tpid TPID_0X8100
  statistics {
    in-packets 513
    in-octets 46399
    in-unicast-packets 486
    in-broadcast-packets 6
    in-multicast-packets 19
    in-discarded-packets 0
    in-error-packets 2
    in-fcs-error-packets 0
    out-packets 524
    out-octets 47380
    out-unicast-packets 498
    out-broadcast-packets 6
    out-multicast-packets 20
    out-discarded-packets 0
    out-error-packets 0
    carrier-transitions 1
  }
  traffic-rate {
    in-bps 0
    out-bps 0
  }
  transceiver {
    tx-laser false
    oper-state down
    oper-down-reason not-present
    ddm-events false
    forward-error-correction disabled
  }
  ethernet {
    dac-link-training false
    lacp-port-priority 32768
    port-speed 10G
    hw-mac-address 00:01:03:FF:00:02
    flow-control {
      receive false
    }
  }
}
```

```
        transmit false
    }
    statistics {
        in-mac-pause-frames 0
        in-oversize-frames 0
        in-jabber-frames 0
        in-fragment-frames 0
        in-crc-error-frames 0
        out-mac-pause-frames 0
        in-64b-frames 0
        in-65b-to-127b-frames 0
        in-128b-to-255b-frames 0
        in-256b-to-511b-frames 0
        in-512b-to-1023b-frames 0
        in-1024b-to-1518b-frames 0
        in-1519b-or-longer-frames 0
        out-64b-frames 0
        out-65b-to-127b-frames 0
        out-128b-to-255b-frames 0
        out-256b-to-511b-frames 0
        out-512b-to-1023b-frames 0
        out-1024b-to-1518b-frames 0
        out-1519b-or-longer-frames 0
    }
}
```

8.1 Clearing interface statistics

Procedure

You can clear the statistics counters for a specified interface.

Example: Clear all statistics for an interface

```
# tools interface ethernet-1/1 statistics clear
/interface[name=ethernet-1/2]:
    interface ethernet-1/2 statistics cleared
```

Example: Clear queue statistics for an interface

```
# tools interface ethernet-1/2 qos output queue-statistics clear
```

Example: Clear statistics for a specified queue on an interface

```
# tools interface ethernet-1/2 qos output queue-statistics queue multicast-0 clear
```

9 Displaying subinterface statistics

Procedure

To display statistics for a specific subinterface, enter the context for the subinterface and use the **info from state** command.

Example

```
--{ candidate shared default }--[ ]--
# info from state interface ethernet-1/2 subinterface 1
interface ethernet-1/2 {
  subinterface 1 {
    type routed
    admin-state enable
    ip-mtu 1500
    name ethernet-1/2.1
    ifindex 32770
    oper-state up
    last-change "a minute ago"
    ipv4 {
      admin-state enable
      allow-directed-broadcast false
      address 192.168.12.2/30 {
        origin static
        primary
        status preferred
      }
      arp {
        duplicate-address-detection true
        timeout 14400
        learn-unsolicited false
        proxy-arp false
        neighbor 192.168.12.1 {
          link-layer-address 00:01:01:FF:00:01
          origin dynamic
          expiration-time "3 hours from now"
          datapath-programming {
            status success
          }
        }
      }
    }
  }
}
ipv6 {
  admin-state enable
  address 2001:1::192:168:12:2/126 {
    origin static
    primary
    status preferred
  }
  address fe80::201:3ff:feff:2/64 {
    origin link-layer
    status preferred
  }
  neighbor-discovery {
    duplicate-address-detection true
    reachable-time 30
    stale-time 14400
  }
}
```

```

learn-unsolicited none
proxy-nd false
neighbor 2001:1::192:168:12:1 {
  link-layer-address 00:01:01:FF:00:01
  origin dynamic
  is-router true
  current-state stale
  next-state-time "3 hours from now"
  datapath-programming {
    status success
  }
}
neighbor fe80::201:1ff:feff:1 {
  link-layer-address 00:01:01:FF:00:01
  origin dynamic
  is-router false
  current-state stale
  next-state-time "3 hours from now"
  datapath-programming {
    status success
  }
}
}
router-advertisement {
  router-role {
    admin-state disable
    current-hop-limit 64
    managed-configuration-flag false
    other-configuration-flag false
    max-advertisement-interval 600
    min-advertisement-interval 200
    reachable-time 0
    retransmit-time 0
    router-lifetime 1800
  }
}
}
statistics {
  in-packets 45
  in-octets 5457
  in-discarded-packets 0
  in-forwarded-packets 0
  in-forwarded-octets 0
  in-matched-ra-packets 0
  out-forwarded-packets 0
  out-forwarded-octets 0
  out-originated-packets 43
  out-originated-octets 5357
  out-discarded-packets 0
  out-packets 43
  out-octets 5357
}
qos {
  input {
    classifiers {
      default-forwarding-class fc0
      default-drop-probability low
      dscp-policy default
    }
  }
  output {
    rewrite-rules {
      dscp-policy default
    }
  }
}

```

```
}  
  }  
}
```

9.1 Clearing subinterface statistics

Procedure

You can clear the statistics counters for a specified subinterface.

Example

```
# tools interface ethernet-1/2 subinterface 1 statistics clear  
/interface[name=ethernet-1/2]/subinterface[index=1]:  
  subinterface ethernet-1/2.1 statistics cleared
```

10 Displaying interface status

Procedure

Use the **show interface** command to display the operational state of configured interfaces.

Example: Display the status of all interfaces and subinterfaces in up state

To display the status of all configured interfaces that have operational state up and their subinterfaces that also have operational state up:

```
--{ running }--[ ]--
# show interface
=====
ethernet-1/10 is up, speed 100G, type 100GBASE-CR4 CA-L
  ethernet-1/10.1 is up
    Encapsulation: null
    IPv4 addr    : 192.35.1.0/31 (static)
    IPv6 addr    : 2001:192:35:1::/127 (static, preferred)
    IPv6 addr    : fe80::22e0:9cff:fe78:e2ea/64 (link-layer, preferred)
-----
ethernet-1/21 is up, speed 100G, type 100GBASE-CR4 CA-L
  ethernet-1/21.1 is up
    Encapsulation: null
    IPv4 addr    : 192.45.1.254/31 (static)
    IPv6 addr    : 2001:192:45:1::fe/127 (static, preferred)
    IPv6 addr    : fe80::22e0:9cff:fe78:e2f5/64 (link-layer, preferred)
-----
ethernet-1/22 is up, speed 100G, type 100GBASE-CR4 CA-L
  ethernet-1/22.1 is up
    Encapsulation: null
    IPv4 addr    : 192.45.3.254/31 (static)
    IPv6 addr    : 2001:192:45:3::fe/127 (static, preferred)
    IPv6 addr    : fe80::22e0:9cff:fe78:e2f6/64 (link-layer, preferred)
-----
ethernet-1/3 is up, speed 100G, type 100GBASE-CR4 CA-L
  ethernet-1/3.1 is up
    Encapsulation: null
    IPv4 addr    : 192.57.1.1/31 (static)
    IPv6 addr    : 2001:192:57:1::1/127 (static, preferred)
    IPv6 addr    : fe80::22e0:9cff:fe78:e2e3/64 (link-layer, preferred)
-----
...
=====
Summary
  3 loopback interfaces configured
  8 ethernet interfaces are up
  1 management interfaces are up
  12 subinterfaces are up
=====
```

Example: Display summary information about all interfaces

To display summary information about interfaces that have operational state up or down:

```
--{ running }--[ ]--
# show interface brief
```


Port	Admin State	Oper State	Speed	Type
ethernet-1/1	enable	up	100G	100GBASE-SR4
ethernet-1/2	enable	up		100GBASE-SR4
ethernet-1/3	disable	down		
ethernet-1/4	disable	down		
ethernet-1/5	disable	down		
ethernet-1/6	disable	down		
ethernet-1/7	disable	down		

Example: Display summary information about a specific interface

To display summary information about a specific interface:

```
--{ running }--[ ]--
# show interface ethernet-1/1 brief
+-----+-----+-----+-----+-----+
| Port      | Admin State | Oper State | Speed | Type      |
+-----+-----+-----+-----+-----+
| ethernet-1/1 | enable      | up         | 100G  | 100GBASE-SR4 |
+-----+-----+-----+-----+-----+
```

Example: Display summary information about all interfaces and subinterfaces

To display summary information about interfaces and subinterfaces that have operational state up or down:

```
--{ running }--[ ]--
# show interface all
=====
ethernet-1/1 is down, reason port-admin-disabled
-----
ethernet-1/10 is up, speed 100G, type 100GBASE-CR4 CA-L
  ethernet-1/10.1 is up
    Encapsulation: null
    IPv4 addr      : 192.35.1.0/31 (static)
    IPv6 addr      : 2001:192:35:1::/127 (static, preferred)
    IPv6 addr      : fe80::22e0:9cff:fe78:e2ea/64 (link-layer, preferred)
-----
ethernet-1/11 is down, reason port-admin-disabled
-----
ethernet-1/12 is down, reason port-admin-disabled
-----
...
=====
Summary
  3 loopback interfaces configured
  8 ethernet interfaces are up
  1 management interfaces are up
  12 subinterfaces are up
=====
```

Example: Display summary information about a specific interface and its subinterfaces

To display summary information about a specific interface and its subinterfaces:

```
--{ running }--[ ]--
# show interface ethernet-1/21
=====
```

```

ethernet-1/21 is up, speed 100G, type 100GBASE-CR4 CA-L
  ethernet-1/21.1 is up
    Encapsulation: null
    IPv4 addr   : 192.45.1.254/31 (static)
    IPv6 addr   : 2001:192:45:1::fe/127 (static, preferred)
    IPv6 addr   : fe80::22e0:9cff:fe78:e2f5/64 (link-layer, preferred)
=====

```

Example: Display details about an interface and its subinterfaces

To display details about a specific interface and its subinterfaces:

```

--{ running }--[ ]--
# show interface ethernet-1/3 detail
=====
Interface: ethernet-1/3
-----
Description      : rifa-difa-1
Oper state       : up
Down reason      : N/A
Last change      : 23m14s ago, No flaps since last clear
Speed            : 100G
Flow control     : Rx is disabled, Tx is not supported
MTU              : 9232
VLAN tagging     : false
Queues           : 8 output queues supported, 3 used since the last clear
MAC address      : 20:E0:9C:78:E2:E3
Last stats clear : never
-----
Queue Parameter for ethernet-1/3
-----
Queue-id  Scheduling  Weight
-----
Traffic statistics for ethernet-1/3
-----
      counter      Rx      Tx
Octets           14241  11724
Unicast packets   0         0
Broadcast packets 0         0
Multicast packets 52        56
Errored packets   0         0
FCS error packets 0         N/A
MAC pause frames  0         N/A
Oversize frames   0         N/A
Jabber frames     0         N/A
Fragment frames   0         N/A
CRC errors        0         N/A
-----
Traffic rate statistics for ethernet-1/3
-----
      units      Rx      Tx
      kbps rate
-----
Frame length statistics for ethernet-1/3
-----
Frame length(Octets)  Rx  Tx
64 bytes              0   0
65-127 bytes         5   8
128-255 bytes         0  48
256-511 bytes        47  0
512-1023 bytes        0   0
1024-1518 bytes       0   0
1519+ bytes          0   0

```

```

-----
Transceiver detail for ethernet-1/3
-----
Status       : Transceiver is present and operational
Form factor  : QSFP28
Channels used : 4
Connector type : no-separable-connector
Vendor       : Mellanox
Vendor part  : MCP1600-C003
PMD type     : 100GBASE-CR4 CA-L
Fault condition: false
Temperature  : 0
Voltage      : 0.0000
-----

Transceiver channel detail for ethernet-1/3
-----
Channel No  Rx Power (dBm)  Tx Power (dBm)  Laser Bias current (mA)
1           -40.00          -40.00          0.000
2           -40.00          -40.00          0.000
3           -40.00          -40.00          0.000
4           -40.00          -40.00          0.000
=====

Subinterface: ethernet-1/3.1
-----
Oper state   : up
Down reason  : N/A
Last change  : 23m14s ago
Encapsulation : null
IP MTU       : 9000
Last stats clear: never
IPv4 addr    : 192.57.1.1/31 (static)
IPv6 addr    : 2001:192:57:1::1/127 (static, preferred)
IPv6 addr    : fe80::22e0:9cff:fe78:e2e3/64 (link-layer, preferred)
-----

ARP/ND summary for ethernet-1/3.1
-----
IPv4 ARP entries : 0 static, 0 dynamic
IPv6 ND entries  : 0 static, 0 dynamic
-----

QoS Policies applied to ethernet-1/3.1
-----
          Summary          In      Out
IPv4 DSCP classifier  default
IPv6 DSCP classifier  default
IPv4 DSCP rewrite      none
IPv6 DSCP rewrite      none
-----

Traffic statistics for ethernet-1/3.1
-----
          Statistics          Rx      Tx
Packets          52          8
Octets          14241         828
Errored packets    0          0
Discarded packets  2          0
Forwarded packets  0          0
Forwarded octets   0          0
CPM packets       50          8
CPM octets        14033         828
=====

```

Example: Display egress queue and VOQ information

To display information about egress queues and Virtual Output Queues (VOQs) for a specific interface and its subinterfaces:

```
# show interface ethernet-1/1 queue-statistics
=====
Interface: ethernet-1/1
-----
Description      : <None>
Oper state       : down
Down reason      : lower-layer-down
Last change      : 4d14h50m28s ago, No flaps since last clear
Speed            : 100G
Flow control     : Rx is disabled, Tx is not supported
Loopback mode    : false
MTU              : 9232
VLAN tagging     : false
Queues           : 8 output queues supported, 0 used since the last clear
MAC address      : 68:AB:09:A2:71:B0
Last stats clear: never
-----
Queue Parameter for for ethernet-1/1
-----
Queue-id  Scheduling  Weight  PIR %   PIR (kbps)
0         SP         -       100    98994140.625
1         SP         -       100    98994140.625
2         SP         -       100    98994140.625
3         SP         -       100    98994140.625
4         SP         -       100    98994140.625
5         SP         -       100    98994140.625
6         SP         -       100    98994140.625
7         SP         -       100    98994140.625
-----
Queue statistics for interface ethernet-1/1, Queue 0 (fc0 traffic)
-----
          Name                Fwd-Octets  Fwd-Pkts  Drop-Octets  Drop-Pkts
Unicast Egress queue         0            0            0            0
VOQ 1                         0            0            0            0
VOQ 2                         0            0            0            0
VOQ 3                         0            0            0            0
VOQ 4                         0            0            0            0
Multicast Egress queue       0            0            0            0
-----
Queue statistics for interface ethernet-1/1, Queue 1 (fc1 traffic)
-----
          Name                Fwd-Octets  Fwd-Pkts  Drop-Octets  Drop-Pkts
Unicast Egress queue         0            0            0            0
VOQ 1                         0            0            0            0
VOQ 2                         0            0            0            0
VOQ 3                         0            0            0            0
VOQ 4                         0            0            0            0
Multicast Egress queue       0            0            0            0
-----
Queue statistics for interface ethernet-1/1, Queue 2 (fc2 traffic)
-----
          Name                Fwd-Octets  Fwd-Pkts  Drop-Octets  Drop-Pkts
Unicast Egress queue         0            0            0            0
VOQ 1                         0            0            0            0
VOQ 2                         0            0            0            0
VOQ 3                         0            0            0            0
VOQ 4                         0            0            0            0
Multicast Egress queue       0            0            0            0
```

```

-----
Queue statistics for interface ethernet-1/1, Queue 3 (fc3 traffic)
-----
      Name           Fwd-Octets   Fwd-Pkts   Drop-Octets   Drop-Pkts
Unicast Egress queue    0           0           0             0
VQ 1                    0           0           0             0
VQ 2                    0           0           0             0
VQ 3                    0           0           0             0
VQ 4                    0           0           0             0
Multicast Egress queue  0           0           0             0
-----
Queue statistics for interface ethernet-1/1, Queue 4 (fc4 traffic)
-----
      Name           Fwd-Octets   Fwd-Pkts   Drop-Octets   Drop-Pkts
Unicast Egress queue    0           0           0             0
VQ 1                    0           0           0             0
VQ 2                    0           0           0             0
VQ 3                    0           0           0             0
VQ 4                    0           0           0             0
Multicast Egress queue  0           0           0             0
-----
Queue statistics for interface ethernet-1/1, Queue 5 (fc5 traffic)
-----
      Name           Fwd-Octets   Fwd-Pkts   Drop-Octets   Drop-Pkts
Unicast Egress queue    0           0           0             0
VQ 1                    0           0           0             0
VQ 2                    0           0           0             0
VQ 3                    0           0           0             0
VQ 4                    0           0           0             0
Multicast Egress queue  0           0           0             0
-----
Queue statistics for interface ethernet-1/1, Queue 6 (fc6 traffic)
-----
      Name           Fwd-Octets   Fwd-Pkts   Drop-Octets   Drop-Pkts
Unicast Egress queue    0           0           0             0
VQ 1                    0           0           0             0
VQ 2                    0           0           0             0
VQ 3                    0           0           0             0
VQ 4                    0           0           0             0
Multicast Egress queue  0           0           0             0
-----
Queue statistics for interface ethernet-1/1, Queue 7 (fc7 traffic)
-----
      Name           Fwd-Octets   Fwd-Pkts   Drop-Octets   Drop-Pkts
Unicast Egress queue    0           0           0             0
VQ 1                    0           0           0             0
VQ 2                    0           0           0             0
VQ 3                    0           0           0             0
VQ 4                    0           0           0             0
Multicast Egress queue  0           0           0             0
=====

```

11 Configuring interface delay

Procedure

SR Linux supports the configuration of static and dynamic delay measurement and provides a configuration parameter to determine precedence. You can configure both static and dynamic delay under the same interface. The delay-selection (delay-selection) parameter within the network instance IGP context (network-instance.protocols isis. instance interface.delay) provides the following options to customize the handling.

- static
- dynamic
- static-preferred
- dynamic-preferred

The configuration options permit the selection of only one delay type (either static or dynamic), or the designation of a preferred option should both delay types exist (using either static-preferred or dynamic-preferred options). The interface delay is a link property. There may be a period between the initialization of the interface and the reporting of a valid dynamic delay value. This interval may require some deployments to configure a static delay value to bridge the gap while waiting for the initial report on link measurement. In such cases, preferring dynamic allows the routing engine to advertise the static value until the dynamic delay report is available..

When you configure interface delay for an IGP, the IGP automatically incorporates these details in its LSP. This information is necessary for traffic engineering. For information about how the interface delay is mapped to the link state delay advertisement, see the *SR Linux Segment Routing Guide*.

Example: Configuring static delay

The following example shows the configuration of static delay.

```
--{ * candidate shared default }--[ ]--
# info interface ethernet-1/1 subinterface 0
  interface ethernet-1/1 {
    subinterface 0 {
      admin-state enable
      unidirectional-link-delay {
        static-delay 1234
      }
      ipv4 {
        admin-state enable
        address 192.168.0.0/31 {
        }
      }
      ipv6 {
        admin-state enable
        address 2002::c0a8:0/64 {
        }
      }
    }
  }
}
```

12 LLDP

The IEEE 802.1ab Link Layer Discovery Protocol (LLDP) standard defines protocol and management elements that are suitable for advertising information to devices attached to the same LAN, for the purpose of populating physical or logical topology and device discovery management information databases.

SR Linux supports the ability to run LLDP on all physical interfaces (both in-band and out-of-band). You can enable or disable LLDP as follows:

- at the global level, using `.system.lldp.admin-state`
- at the interface level, using `.system.lldp.interface{}.admin-state`

If you globally disable LLDP, no interfaces use LLDP. SR Linux does not currently support TLV suppression.

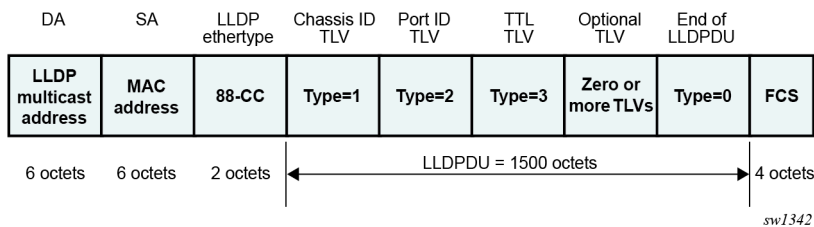
Devices send LLDP information in Ethernet frames from each of their interfaces at a fixed interval. Each frame contains one LLDP Data Unit (LLDPDU), which is a sequence of Type-Length-Value (TLV) structures. LLDP Ethernet frames have the destination MAC address typically set to a special multicast address which 802.1D-compliant bridges do not forward. The EtherType field is set to 0x88cc.

As shown in [Figure 3: LLDP frame structure](#), each LLDP frame starts with the following mandatory TLVs:

- Chassis-ID
- Port-ID
- Time-to-Live (TTL)

Any number of optional TLVs follow the mandatory TLVs. The frame ends with a special TLV named End of LLDPDU, in which both the type and length fields are 0.

Figure 3: LLDP frame structure



12.1 LLDP implementation in SR Linux

LLDP is implemented in SR Linux using the `lldp_mgr` application, which controls sending of packets using in-band and out-of-band interfaces (a Linux-native LLDP such as `lldpad` is not used). The `lldp_mgr` application crafts packets based on its configuration and forwards them using `xdp`. The SR Linux `xdp` process manages the sending and receiving of frames using in-band and out-of-band ports as follows:

- For ingress in-band, the `xdp` process forwards frames to the active CPM `lldp_mgr` application.
- For egress, the `xdp` process sends frames out the correct interface.

Instead of a hold-time, SR Linux allows you to configure the following two values, which together create the TTL TLV in the LLDPDU (by multiplying the hello-timer by the hold-multiplier):

- hello-timer at `system.lldp.hello-timer`
- hold-multiplier at `system.lldp.hold-multiplier`

You cannot configure the following referenced fields:

- The system-name is a leaf reference to `system.name.host-name`.
- The system-description is auto-generated based on system information. The following is the template for this field.

```
SRLinux-<version> <hostname> <kernel> <build date>
```

Although multiple neighbors are supported under the YANG model, LLDP is not available per VLAN.

12.2 LLDP transmitting system capabilities TLV

Each LLDPDU received and transmitted contains a TLV that references the transmitting system capabilities. The following are the available capabilities:

- SYSTEM_CAPABILITIES_OTHER
- SYSTEM_CAPABILITIES_REPEATER
- SYSTEM_CAPABILITIES_BRIDGE
- SYSTEM_CAPABILITIES_WLAN_AP
- SYSTEM_CAPABILITIES_ROUTER
- SYSTEM_CAPABILITIES_PHONE
- SYSTEM_CAPABILITIES_DOCSIS
- SYSTEM_CAPABILITIES_STATION
- SYSTEM_CAPABILITIES_CVLAN
- SYSTEM_CAPABILITIES_SVLAN
- SYSTEM_CAPABILITIES_TPMR

SR Linux sends only the following capabilities:

- SYSTEM_CAPABILITIES_BRIDGE
- SYSTEM_CAPABILITIES_ROUTER
- SYSTEM_CAPABILITIES_SVLAN

12.3 Configuring LLDP

Procedure

To configure LLDP, enable it at the global level or interface level and configure the hello-timer and hold-multiplier.

Example

The following example shows a basic configuration for LLDP.

```
--{ + running }--[ ]--
# info system lldp
  system {
    lldp {
      admin-state enable
      hello-timer 1
      hold-multiplier 255
      management-address ethernet-1/17.1 {
        type [
          IPv4
          IPv6
        ]
      }
      management-address mgmt0.0 {
        type [
          IPv4
          IPv6
        ]
      }
      interface ethernet-1/17 {
        admin-state enable
      }
      interface mgmt0 {
        admin-state enable
      }
    }
  }
}
```

12.4 Displaying LLDP neighbor information

Procedure

LLDP neighbor information is available using a Nokia-provided CLI plugin. You can display LLDP neighbor reports that include information such as the system name, chassis ID, first message, last update, port, and related BGP details. You can also access LLDP neighbor reports for a particular interface.

Example

```
--{ running }--[ ]--
# show system lldp neighbor
+-----+-----+-----+-----+-----+-----+-----+
| Name   | Neighbor | Neighbor | Neighbor | Neighbor | Neighbor | Neighbor |
|        |          | System   | Chassis  | First    | Last     | Port     |
|        |          | Name     | ID       | Message  | Update   |          |
+-----+-----+-----+-----+-----+-----+-----+
| ethernet | 00:01:01 | 3-node-s | 00:01:01 | 7 days  | 6        | ethernet |
| -1/1    | :FF:00:0 | rlinux-A | :FF:00:0 | ago     | minutes | -1/1    |
|        | 0        |          | 0        |         | ago     |          |
| ethernet | 00:01:03 | 3-node-s | 00:01:03 | 7 days  | 6        | ethernet |
| -1/3    | :FF:00:0 | rlinux-C | :FF:00:0 | ago     | minutes | -1/3    |
|        | 0        |          | 0        |         | ago     |          |
+-----+-----+-----+-----+-----+-----+-----+

```

See the *SR Linux System Management Guide*, for more information about predefined show reports.

12.5 Displaying LLDP statistics

Procedure

You can display aggregate statistics and per-interface statistics for LLDP including frame discards, frame-in and frame-out numbers, last clear, and TLV accepted numbers.

To display statistics use the **info from state** command in candidate or running mode or the **info** command in state mode.

Example: Display LLDP statistics

```
--{ + running }--[ ]--
# info from state system lldp statistics
system {
  lldp {
    statistics {
      frame-in 516
      frame-out 2565
      last-clear "3 minutes ago"
      tlv-accepted 5680
    }
  }
}
```

Example: Display LLDP detail statistics

```
--{ + running }--[ ]--
# info detail from state system lldp statistics
system {
  lldp {
    statistics {
      frame-in 22
      frame-out 88
      last-clear 2022-10-24T18:57:26.468Z
      tlv-accepted 274
    }
  }
}
```

Example: Display LLDP detail statistics for the management interface

```
--{ + running }--[ ]--
# info detail from state system lldp interface mgmt0 statistics
system {
  lldp {
    interface mgmt0 {
      statistics {
        frame-in 0
        frame-out 344426
        frame-error-in 0
        frame-discard 120
        tlv-discard 0
        tlv-unknown 0
        frame-error-out 1
      }
    }
  }
}
```

```
}

```

Example: Display LLDP statistics for an Ethernet interface

```
--{ + running }--[ ]--
# info from state system lldp interface ethernet-1/17 statistics
system {
  lldp {
    interface ethernet-1/17 {
      statistics {
        frame-in 331
        frame-out 333
        last-clear "5 minutes ago"
      }
    }
  }
}

```

Example: Display LLDP detail statistics for an Ethernet interface

```
--{ + running }--[ ]--
# info detail from state system lldp interface ethernet-1/17 statistics
system {
  lldp {
    interface ethernet-1/17 {
      statistics {
        frame-in 5
        frame-out 5
        last-clear 2022-10-24T18:58:44.534Z
      }
    }
  }
}

```

12.6 Clearing LLDP statistics

Procedure

You can clear aggregate statistics and per-interface statistics for LLDP. Clearing the statistics counters resets all statistics to 0 and populates the `last-clear` field with the current timestamp.

Use the following commands in running, candidate, or state mode to clear LLDP statistics counters.

```
tools system lldp statistics clear
tools system lldp interface name statistics clear

```

Example: Clear LLDP statistics

```
--{ + running }--[ ]--
# tools system lldp statistics clear
--{ + running }--[ ]--
# info from state system lldp statistics
system {
  lldp {
    statistics {
      frame-in 2
      frame-out 11
    }
  }
}

```

```

        last-clear now
        tlv-accepted 28
    }
}

```

Example: Clear management-interface statistics

```

--{ + running }--[ ]--
# tools system lldp interface mgmt0 statistics clear
--{ + running }--[ ]--
# info detail from state system lldp interface mgmt0 statistics
system {
    lldp {
        interface mgmt0 {
            statistics {
                frame-out 1
                last-clear 2022-10-24T18:59:46.291Z
            }
        }
    }
}

```

Example: Clear Ethernet interface statistics

```

--{ + running }--[ ]--
# tools system lldp interface ethernet-1/17 statistics clear
--{ + running }--[ ]--
# info from state system lldp interface ethernet-1/17 statistics
system {
    lldp {
        interface ethernet-1/17 {
            statistics {
                frame-in 1
                frame-out 1
                last-clear now
            }
        }
    }
}

```

13 LAG

A Link Aggregation Group (LAG), based on the IEEE 802.1ax standard (formerly 802.3ad), increases the bandwidth available between two network devices, depending on the number of links installed. A LAG also provides redundancy if one or more links participating in the LAG fail. All physical links in a LAG combine to form one logical interface.

Packet sequencing is maintained for individual sessions. The hashing algorithm deployed by SR Linux is based on the type of traffic transported to ensure that all traffic in a flow remains in sequence, while providing effective load sharing across the links in the LAG.

LAGs can be either statically configured, or formed dynamically with Link Aggregation Control Protocol (LACP). Load sharing is executed in hardware, which provides line rate forwarding for all port types. A LAG can consist of ports of the same speed, as well as ports of mixed speed; however, the active links would be only those whose port speed matches the configured **member-speed** parameter for the LAG instance.

13.1 Min-link threshold

SR Linux supports configuring a min-link threshold for a LAG, which sets the minimum number of member links that must be active in order for the LAG to be operationally up. If the number of active links falls below this threshold, the entire LAG is brought operationally down.

If the min-link threshold is crossed, the active member links are maintained, including continuing to run LACP on links where it is configured, but the LAG is held out of forwarding state. When the number of active links reaches or exceeds the min-link threshold, the LAG is brought back up operationally.

13.2 LACP

LACP, defined by the IEEE 802.3ad standard, specifies a method for two devices to establish and maintain LAGs. When LACP is enabled, SR Linux can automatically associate LACP-compatible ports into a LAG. All non-failing links in a LAG are active, and traffic is load-balanced across the active links.

When LACP is enabled, LACP changes are visible through traps and log messages logged against the LAG.

13.2.1 LACP fallback

LACP fallback allows one or more designated links of an LACP controlled LAG to go into forwarding mode if LACP is not yet operational after a configured timeout period.

SR Linux supports LACP fallback in static mode. In static mode, a single designated LAG member goes into forwarding mode if LACP is not operational after the timeout period.

LACP fallback is configured by selecting the mode and fallback timeout (seconds). If the LAG receives no PDUs and the timeout period expires, the configured fallback mode is enabled. If any member link in the LAG receives a PDU, the fallback mode is immediately disabled.

13.3 LAG configuration

To configure a LAG, you specify LAG parameters within the context of a LAG interface, then associate Ethernet interfaces with the LAG interface.

The MAC address of the LAG should be a unique value taken from the chassis MAC address pool.

Member links in the LAG can be associated statically or dynamically.

- Static links are explicitly associated with the LAG within the configuration of the LAG instance.
- Dynamic links are associated with the LAG using LACP.

A LAG instance can consist of static links only or dynamic links only.



Note: When a port is configured as part of a LAG, it remains part of that LAG regardless of the port state or LAG state. The port's membership in the LAG does not change even if the port or LAG is administratively disabled (brought down by the user or OAM function) or operationally down (the port or ports at the other end of the LAG are down).

If an Ethernet interface is associated with a LAG interface, the following parameters must be the same for all associated Ethernet ports:

- **flow-control**
- **port-speed**
- **aggregate-id**

The following example shows the configuration for a LAG consisting of three member links.

```
--{ * candidate shared default }--[ ]--
# info interface *
  interface ethernet-1/1 {
    admin-state enable
    ethernet {
      aggregate-id lag1
    }
  }
  interface ethernet-1/2 {
    admin-state enable
    ethernet {
      aggregate-id lag1
    }
  }
  interface ethernet-1/3 {
    admin-state enable
    ethernet {
      aggregate-id lag1
    }
  }
  interface lag1 {
    subinterface 1 {
      admin-state enable
    }
    lag {
      lag-type static
      min-links 2
    }
  }
}
```

13.3.1 Configuring the min-link threshold

Procedure

You can configure the min-link threshold for a LAG, which specifies the minimum number of member links that must be active in order for the LAG to be operationally up. If the number of active links falls below this threshold, the entire LAG is brought operationally down.

Example

The following example configures the min-link threshold for a LAG to be 4. If the number of active links in the LAG drops below 4, the LAG is taken operationally down.

```
--{ * candidate shared default }--[ ]--
# info interface lag1
  interface lag1 {
    lag {
      min-links 4
    }
  }
}
```

After the LAG has been taken operationally down because of crossing the min-link threshold, if the number active links in the LAG subsequently reaches 4 or higher, the LAG is brought operationally up. The default for the min-link threshold is 0 (disabled).

13.3.2 Configuring LACP and LACP fallback

Procedure

When you enable LACP, SR Linux can automatically associate LACP-compatible ports into a LAG. LACP should be configured in ACTIVE mode only if LACP fallback is also configured.

Example: Configure LACP to run on an interface

The following example configures LACP to run on an interface, which can dynamically become a member of a LAG:

```
--{ * candidate shared default }--[ ]--
# info interface lag1
  interface lag1 {
    lag {
      lag-type lacp
      min-links 1
      member-speed 100G
      lacp-fallback-mode static
      lacp-fallback-timeout 4
      lacp {
        interval FAST
        lacp-mode ACTIVE
      }
    }
  }
}
```

In this example, the LACP interval is set to **FAST**, which causes LACP messages to be sent every second. The **SLOW** option for LACP interval causes LACP messages to be sent every 30 seconds.

Example: Enable LACP fallback mode for a LAG

The following example enables LACP fallback mode for a LAG, which allows a single designated LAG member to go into forwarding mode if LACP is not operational after the timeout period.

```
--{ * candidate shared default }--[ ]--
# info interface lag1
interface lag1 {
    lag {
        lacp-fallback-mode static
        lacp-fallback-timeout 4
    }
}
```

The LACP fallback timeout range is 4 to 3600 seconds when the LACP interval is **FAST**, and 90 to 3600 seconds when LACP interval is **SLOW**.

Example: Enable LACP port priority

The following example enables LACP port priority. When LACP fallback is triggered in static mode, one of the member-links goes into a forwarding state that can be influenced using LACP port priority.

```
--{ * candidate shared default }--[ ]--
# info interface ethernet-1/1 ethernet
interface ethernet-1/1 {
    ethernet {
        aggregate-id lag1
        lacp-port-priority 1
        port-speed 25G
        hw-mac-address 00:01:02:FF:00:01
    }
}
```

13.3.3 Forwarding viability configuration for LAG members

By default, all interfaces configured in a LAG are capable of forwarding traffic to the other end of the LAG, assuming all other LAG and port attributes allow it (port and LACP state). You can optionally configure individual LAG members to be non-viable for forwarding traffic to the other end of the LAG link.

When a LAG member is configured as non-viable for forwarding traffic, the interface is not used for the transmission of traffic over the LAG, but is still able to process traffic it receives on the associated member link. In addition, Layer 2 protocols such as LLDP, LACP, and micro-BFD continue to be sent and processed over the non-forwarding-viable LAG member.

LAG forwarding viability interaction with other protocols

If at least one member of a LAG is operational and not configured as non-viable for forwarding LAG traffic, then the IP subinterfaces associated with the LAG remain up and continue to operate normally. If all members of a LAG are either operationally down and, or marked as configured as non-viable for forwarding LAG traffic, the `fib-tx-forwarding` state for the LAG is set to `false` at the LAG level, interface level and subinterface level. The `fib-tx-forwarding` state is set back to `true` when at least one member link is operationally up and is configured as viable for forwarding LAG traffic.

- For gRIBI, if the `fib-tx-forwarding` state for the LAG is `false`, the IP subinterface is removed from any gRIBI next-hop entry in use. If this results in no active next hop entries being viable, SR Linux switches to an available backup next hop group (NHG).

If the `fib-tx-forwarding` state for the LAG is set back to `true`, SR Linux re-evaluates any next hop entries that were removed from use and re-installs them, which may result in switching from a backup NHG to the primary NHG if the updated state makes the primary NHG viable again.

- For IP control traffic, if the `fib-tx-forwarding` state for the LAG is `false`, the IP control plane stops sending IP control traffic out of the associated LAG, the same as transit traffic. Any IP control traffic with keepalives or BFD associations time in based on configured timer values.

The `fib-tx-forwarding` state is used internally by the system and is not visible in output from **info from state** commands.

13.3.3.1 Configuring forwarding viability for a LAG member

Procedure

To configure the forwarding viability for a LAG member, you set **ethernet forwarding-viable** to either **true** or **false** for the interface.

Example

The following example configures a LAG member to be non-viable for forwarding traffic across a LAG link. The interface can still receive traffic on the LAG link and participate in Layer 2 functions, but does not transmit packets to the other end of the LAG.

```
--{ candidate shared default }--[ ]--
# info interface ethernet-1/1 ethernet
  interface ethernet-1/1 {
    ethernet {
      aggregate-id lag1
      forwarding-viable false
    }
  }
}
```



Note: If the **forwarding-viable** command is explicitly configured for a LAG member, you must delete the **forwarding-viable** command to remove the LAG member from the LAG instance.

13.4 Displaying LAG interface statistics

Procedure

To display statistics for a LAG interface, use the **info from state** command in candidate or running mode, or the **info** command in state mode.

Example

```
--{ candidate shared default }--[ ]--
# info from state interface lag1 statistics
  interface lag1 {
    statistics {
      in-octets 0
      in-unicast-packets 0
      in-broadcast-packets 0
      in-multicast-packets 0
    }
  }
}
```

```
    in-error-packets 0
    in-fcs-error-packets 0
    out-octets 7168
    out-unicast-packets 0
    out-broadcast-packets 0
    out-multicast-packets 56
    out-error-packets 0
    last-clear 2020-06-09T21:58:40.919Z
  }
}
```

13.4.1 Clearing LAG interface statistics

Procedure

You can clear the statistics counters for a specified LAG interface.

Example: Clear statistics counters for a LAG interface

```
--{ candidate shared default }--[ ]--
# tools interface lag1 statistics clear
/interface[name=lag1]:
  interface lag1 statistics cleared
```

Example: Clear statistics for a LAG interface and all member links

```
--{ candidate shared default }--[ ]--
# tools interface lag1 statistics clear include-members
/interface[name=lag1]:
  interface lag1 and all member interfaces statistics cleared
```

14 MTU

SR Linux supports the following types of maximum transmission unit (MTU) parameters:

- Port MRU and Port MTU
- IP MTU
- MPLS MTU

The following sections describe each MTU parameter and their respective functions in SR Linux.

14.1 Port MRU

The maximum receive unit (MRU) of a port is the maximum size of an Ethernet frame, measured in bytes, that can be received on the port. The MRU includes the Ethernet header (MAC SA, MAC DA, ethertype, VLAN tags) and does not include the 4-byte CRC and the physical layer overhead (preamble and SFD). Received packets that exceed the port MRU are dropped and counted in the **in-error-packets** statistic. They are also counted in **in-packets** and **in-octets** by a control plane aggregation process.



Note: When a packet larger than the MRU is received on a port, the **in-oversize-packets** counter is not incremented.

The default and non-configurable MRU on IXR switches is 10000 bytes.

On 7220 IXR platforms, the port MRU is always equal to the configured port MTU. The forwarding chip does not have a separate MRU register.

14.2 Port MTU

The MTU of a port is the maximum size of an Ethernet frame, measured in bytes, that can be transmitted from the port. The MTU includes the Ethernet header (MAC SA, MAC DA, ethertype, VLAN tags) and does not include the 4-byte CRC and the physical layer overhead (preamble and SFD). Packets scheduled for transmission that exceed the port MTU and do not exceed an IP MTU are dropped and not counted.

For Ethernet-X ports, the MTU value is taken from the **system mtu default-port-mtu** configuration. If there is no configuration under the **system mtu default-port-mtu** context, the default value is set to 9232 bytes.

For **mgmt0** and **mgmt0-standby** ports, the default is 1514 bytes, but you can change the value for each port individually in the **interface mtu** command context.

Port MTU is not configurable for **system0** and **loN** (loopback) interfaces.

7250 IXR linecards support a maximum of eight different port MTU values. When eight different port MTU values are configured on a linecard and an additional port MTU value configuration is attempted, the associated port goes down and a comment is automatically added to the **info from running** output with the port oper - down - reason being port - mtu - resource - exceeded. To bring up the downed port, use the following steps:

1. Free up at least one MTU resource that is already consumed.

2. Commit the change.
3. On the port that needs the MTU resource, change the **admin-state** of the port to **enable**.

The 7220 IXR and 7730 SXR platforms do not have limits on the maximum number of different port MTU values supported.



Note: Port MTU is not configurable for LAG member ports. For LAG interfaces, port MTU can only be configured at the parent LAG level.

14.3 IP MTU

The IP MTU of a routed subinterface is the maximum size of an IPv4 or IPv6 packet, measured in bytes, that can be transmitted from the subinterface. It includes the IP header but does not include the Ethernet header. SR Linux does not support fragmentation of IPv4 packets, even those for which fragmentation is allowed, and packets that exceed the IP MTU are dropped.

For subinterfaces of Ethernet-X ports, the default value is taken from **system mtu default-ip-mtu**. If there is no configuration under the **system mtu default-ip-mtu** context, the default value is set to 1500 bytes.

IP MTU configuration is not supported for subinterfaces of **system0** and **loN** (loopback) ports. For subinterfaces of the **mgmt0** port, the default IP MTU is 1500 bytes, but you can change this in the **interface subinterface ip-mtu** command context.

Each 7250 IXR IMM supports a maximum of four different IP MTU values (including the default). When four different port MTU values are configured on a linecard and an additional IP MTU value configuration is attempted, the associated subinterface goes down and a comment is automatically added to the **info from running** output with the subinterface `oper-down-reason` being `ip-mtu-resource-exceeded`.

The 7220 IXR and 7730 SXR platforms do not have limits on the maximum number of different IP MTU values supported.

If the IP MTU value of a subinterface and the Ethernet including VLAN overhead value exceeds the port MTU of the associated port, the subinterface goes down with the `oper-down-reason` being `ip-mtu-too-large`. In addition, the **info from running** output displays the `### Subinterface MTU too large for interface MTU` message.



Note: If a 7250 IXR IMM port is unable to get a port MTU resource, its effective port MTU is 0, and all of its subinterfaces will display the `### Subinterface MTU too large for interface MTU` message in the **info from running** output.

IPv4 fragmentable packets that exceed the IP MTU are dropped and counted as **out-error-packets** on 7250 IXR Gen 2 platforms and as **in-discarded-packets** on 7220 IXR-Dx platforms, except on the 7220 IXR-D4 and 7220 IXR-D5. All other IPv4 and IPv6 packets that are not fragmentable and that exceed the IP MTU are dropped without counting. These packets generate the appropriate ICMP error messages.

14.4 MPLS MTU

The MPLS MTU defines the maximum size of an MPLS packet, including the size of the transmitted label stack (4 bytes × number of label stack entries), that is allowed to be transmitted out of a routed subinterface. If an MPLS packet containing any payload exceeds the MPLS MTU, it is not forwarded and is instead extracted to the CPM for ICMP error message generation. Once the extracted packet reaches the

CPM, the xdp-cpm skips all MPLS labels until the BOS is found and looks for an IP header to use for the packet-too-big ICMP error message generation. The generated ICMP message contains the following information:

- The destination IP address copied from the source IP address found in the extracted IP header.
- The source IP address is the incoming interface primary IP address (if the incoming interface index is provided by PD), or the loopback/system IP of the default network instance.

The transmission of the generated packet-too-big ICMP message depends on the **icmp-tunneling** configuration. If **icmp-tunneling** is configured to **true**, the error message is injected in the forward direction of the LSP by resetting all MPLS TTL values to 255 and performing an ILM lookup on the top label. If **icmp-tunneling** is configured to **false**, the error message is routed back to source based on route lookup in the default network instance.



Note: In the scenario described above, a route lookup may not be successful.

In the packet-too-big ICMP message, the encoded MTU is based on the highest possible IP MTU that is still supported by the MPLS MTU. This is calculated by subtracting the size of the transmitted label stack that was extracted to the CPM from the MPLS MTU of the egress subinterface.

15 Breakout ports

Breakout functionality is supported on several platforms that run SR Linux. In SR Linux, breakout ports are named using the following format:

`ethernet-slot/port/breakout-port`

For example, if interface `ethernet-1/3` is enabled for breakout mode, its breakout ports are named as follows:

- `ethernet-1/3/1`
- `ethernet-1/3/2`
- `ethernet-1/3/3`
- `ethernet-1/3/4`

The following table lists breakout support for SR Linux platforms.

Table 5: Breakout support for SR Linux platforms

Platform	Port type	Breakout support	Notes
7215 IXS-A1		Not supported on any ports	
7220 IXR-D1		Not supported on any ports	
7220 IXR-D2		Not supported on any ports	
7220 IXR-D3	4x10G and 4x25G	Supported on ports 3-33	
7220 IXR-D3L	2x50G, 4x10G, and 4x25G	Supported on ports 1-31	
7220 IXR-H2		Not supported on any ports	
7220 IXR-H3	4x10G, 2x100G, 4x100G, and 2x200G	Supported on ports 3-34	
7220 IXR-H4	4x100G and 2x200G	Supported on ports 1-64	
7220 IXR-H4-32D	4x100G, 2x100G and 2x200G	Supported on ports 1-32	
7220 IXR-D4	4x100G, 4x25G, and 4x10G	Supported on ports 29-32	

Platform	Port type	Breakout support	Notes
	4x10G and 4x25G	Supported on ports 9, 23-27	
7220 IXR-D5	4x10G, 4x25G, 2x100G, 4x100G, and 2x200G	Supported on ports 1-32	
7250 IXR-6/7250 IXR-10		Not supported on any ports	
7250 IXR-6e/7250 IXR-10e 60p QSFP28 IMM	4x25G and 4x10G	Supported but with port group restriction	See Port group restriction for 7250 IXR-6e and 7250 IXR-10e
7250 IXR-6e/7250 IXR-10e 36p QSFPDD IMM	4x100G, 2x100G, 4x25G, and 4x10G	Supported on all ports	
7250 IXR-X1b	4x25G and 4x10G	Supported on ports 1-24 with port group restriction	See Port group restriction for 7250 IXR-X1b
	4x100G, 4x25G, and 4x10G	Supported on ports 25-36	
7250 IXR-X3b	4x100G, 4x25G, and 4x10G	Supported on all ports	
7730 SXR-1d-32D QSFP28	4x10G and 4x25G	Supported but with port group restriction	See Port group restriction for 7730 SXR-1d-32D QSFP28
7730 SXR-1d-32D QSFPDD	4x100G, 4x25G, and 4x10G	Supported on ports 17-20	
7730 SXR-1x-44S SFPDD		Not supported on any ports	
7730 SXR-1x-44S QSFPDD	4x100G, 4x25G, and 4x10G	Supported on ports 21, 22, 43, 44	

Port group restriction for 7250 IXR-6e and 7250 IXR-10e

On the 7250 IXR-6e/7250 IXR-10e platform, with 60 QSFP28 IMM, breakout as 4x25G or 4x10G is supported on ports 9, 12, 15, 18, 21, 24, 26, 27, 29, 30, 32, 35, 38, 39, 41, 42, 45, and 48. For the port groupings in the following table, only the higher-numbered port supports breakout mode. If the higher numbered port is to be configured for breakout mode, then the lower numbered port should not be configured. If both ports are configured, then the lower-numbered port takes precedence and the higher number port shall be operationally down with reason unsupported-breakout-port.

Table 6: Restricted 4x25G and 4x10G port pairs on 7250 IXR-6e/7250 IXR-10e

8, 9	20, 21
------	--------

11, 12	23, 24
14, 15	44, 45
17, 18	47, 48

Port group restriction for 7250 IXR-X1b

For the QSFP28 ports on the 7250 IXR-X1bb platform, the following port groups exist: [n, n+1, n+2, n+3] where n = 1, 5, 9, 13, 17, 21. Breakout for 4x25G or 4x10G is only supported on ports n+1 and n+3.

When initially configuring a port with a breakout configuration or port speed that does not already exist on another configured port within the same group, then a link flap and traffic hit may occur on other ports within the same group.

When the breakout configuration or port speed is changed for a port in a group, then a link flap and traffic hit may occur on other ports within the same group.

If port n+1 within the group is configured for breakout, then port n cannot be configured. In addition, if port n+1 is configured for breakout and port n+3 is configured without breakout, then port n+2 may only be configured with the same speed as port n+3. If port n+3 within the group is configured for breakout, then port n+2 cannot be configured. If port n+3 is configured for breakout and port n+1 is configured without breakout, then port n may only be configured with the same speed as port n+1.

Port group restriction for 7730 SXR-1d-32D QSFP28

On the 7730 SXR-1d-32D QSFP28 platform, breakout and 40G are only supported on odd-numbered ports.

For the 4-port groupings [1-4], [5-8], [9-12], [13-16], [21-24], [25-28], and [29-32]: if either of the odd-numbered ports within a group is configured for 40G, 4x10G, or 4x25G, then the other odd-numbered port in the same group may only be enabled if it is configured for one of 40G, 4x10G, or 4x25G (can differ between the odd ports) and neither of the two even-numbered ports within the same group can be configured.

Feature considerations for breakout connectors

When an interface is configured for breakout mode, it operates as a component of a breakout connector, not an Ethernet port. Some features that are configurable on an Ethernet port do not apply to a breakout connector or breakout port.

The following table lists considerations that apply to breakout connectors and component breakout ports.

Table 7: Considerations for breakout connectors and ports

Configuration or state	Breakout connector considerations	Breakout port considerations
admin-state	<p>Allowed</p> <p>admin-state disable causes all breakout ports to be shut down. In this case:</p> <ul style="list-style-type: none"> The connector shows oper down with reason: port-admin-disabled. 	<p>Allowed</p> <p>admin-state disable causes the individual breakout port to be shut down. In this case:</p> <ul style="list-style-type: none"> The connector oper-state is not impacted.

Configuration or state	Breakout connector considerations	Breakout port considerations
	<ul style="list-style-type: none"> The connector's transceiver shows oper down with reason: port-disabled. The individual breakout ports show oper down with reason: connector-down (if the breakout port is not disabled as well). The transceiver of the individual breakout ports show oper-down with reason: connector-transceiver-down. Reading tx-laser from state returns false even if configured true. 	<ul style="list-style-type: none"> The connector's transceiver oper state is not impacted. The individual breakout port shows oper-down with reason: port-admin-disabled The transceiver of the individual breakout port shows oper-down with reason: port-disabled. (In this case reading tx-laser from state returns false.)
description	Allowed	Allowed
mtu	Not allowed	Allowed
loopback-mode	Not allowed	Allowed
vlan-tagging	Not allowed	Allowed
ifindex		Allocated
interface/oper-state	Populated	Populated
interface/oper-down-reason	Populated	Populated <ul style="list-style-type: none"> connector-down is shown when the breakout port is down because the parent connector has been administratively disabled.
last-change	Follows changes in oper-state	Follows changes in oper-state
subinterface	Not allowed	Allowed
lag	Not allowed	Not allowed
qos	Not allowed	Allowed
sflow	Not allowed	Allowed
queue-stats	Not populated	Populated
statistics	Not populated	Populated
traffic-rate	Not populated	Populated

Configuration or state	Breakout connector considerations	Breakout port considerations
<p>transceiver</p>	<p>transceiver oper-down-reason can be any of the following:</p> <ul style="list-style-type: none"> • not-present (nothing reported by device manager) • read-failure • checksum-failure • unknown-transceiver • unsupported-breakout (if num-channels x channel-speed is not compatible with the overall speed) • port-disabled <p>The following are not configurable:</p> <ul style="list-style-type: none"> • tx-laser • ddm-events • forward-error-correction 	<p>Only transceiver oper-state and transceiver oper-down-reason are displayed. The transceiver oper-down-reason can be any of the following:</p> <ul style="list-style-type: none"> • not-present (nothing reported by device manager) • tx-laser-disabled (the tx-laser has been configured to false by the user) • port-disabled (the associated port has been disabled; for example, admin-disabled) • connector-transceiver-down (the transceiver associated with the connector is operationally down) <p>Configuration is allowed, with effects as described below:</p> <ul style="list-style-type: none"> • tx-laser affects only the individual breakout port. If the installed transceiver supports per-channel disabling of the TX laser then tx-laser = false causes the breakout port to be oper down. If the installed transceiver does not support per-channel disabling of the TX laser, then the breakout port remains oper up and info from state displays tx-laser=true. • If ddm-events = true for any breakout port, then the system generates warning logs for temperature and voltage of the overall transceiver/connector. • if ddm-events = false for any breakout port, then the system suppresses warning logs for input-power, output-power and laser-bias-current for that specific port/laser.

Configuration or state	Breakout connector considerations	Breakout port considerations
		<ul style="list-style-type: none"> The forward-error-correction algorithm applies only to the individual breakout port.
ethernet/aggregate-id	Not allowed	Allowed
ethernet/auto-negotiate	Not allowed	Allowed
ethernet/duplex-mode	Not allowed	Allowed
ethernet/flow-control	Not allowed	Allowed
ethernet/lacp-port-priority	Not allowed	Allowed
ethernet/port-speed	Not allowed	Not allowed. The speed of the breakout port is determined by the channel-speed setting configured for the breakout connector.
ethernet/reload-delay	Not allowed	Allowed
ethernet/hold-time	Not allowed	Allowed
ethernet/hw-mac-address	Not populated	Allocated and displayed
ethernet/standby-signaling	Not allowed	Allowed
ethernet/storm-control	Not allowed	Allowed
ethernet/statistics	Not populated	Populated

15.1 Configuring breakout mode for an interface

Procedure

To enable breakout ports, you enable breakout mode for an interface and configure breakout ports for the interface.

Example

The following is an example of configuring an interface for breakout-mode and enabling breakout ports on the interface.

```
--{ candidate shared default }--[ ]--
# info interface ethernet-1/3*
interface ethernet-1/3 {
  admin-state enable
  description "Breakout connector"
  breakout-mode {
    num-breakout-ports 4
    breakout-port-speed 25G
  }
}
```

```
interface ethernet-1/3/1 {
  admin-state enable
  description "Breakout port 1"
  subinterface 1 {
    admin-state enable
    ipv4 {
      admin-state enable
      address 192.168.12.1/30 {
      }
    }
  }
}
interface ethernet-1/3/2 {
  admin-state enable
  description "Breakout port 2"
  subinterface 1 {
    admin-state enable
    ipv4 {
      admin-state enable
      address 192.168.12.5/30 {
      }
    }
  }
}
interface ethernet-1/3/3 {
  admin-state enable
  description "Breakout port 3"
  subinterface 1 {
    admin-state enable
    ipv4 {
      admin-state enable
      address 192.168.12.9/30 {
      }
    }
  }
}
interface ethernet-1/3/4 {
  admin-state enable
  description "Breakout port 4"
  subinterface 1 {
    admin-state enable
    ipv4 {
      admin-state enable
      address 192.168.12.13/30 {
      }
    }
  }
}
```

16 Physical port and VLAN loopback

SR Linux allows you to put a physical interface or VLAN subinterface into loopback mode to perform diagnostic testing or troubleshooting. When an interface or subinterface is in loopback mode, the datapath is changed to internally loop received traffic to the transmitting side or to loop transmitted traffic to the receiving side. The loopback feature can operate in either terminal mode or facility mode.

Terminal loopback mode (physical interfaces only)



Note: Terminal loopback mode is supported only on physical interfaces and only on 7250 IXR platforms.

In terminal mode (also called internal loopback), traffic that is normally transmitted from the system is instead redirected as if received from an external source on the same interface. If the interface receives traffic while in terminal loopback mode, the traffic is dropped.

Facility loopback mode (physical interfaces or VLAN subinterfaces)



Note: Facility loopback mode is supported on physical interfaces and VLAN subinterfaces on both the 7250 IXR and 7730 SXR platforms.

In facility mode (also called line loopback or external loopback), traffic received from an external source is redirected back to the transmitting side of the same interface or subinterface.

On a physical interface, facility loopback can be enabled on all null, dot1q, and QinQ encapsulated interfaces. On a VLAN subinterface, facility loopback can be enabled only on dot1q and QinQ encapsulated subinterfaces. VLAN loopback is not supported on system or loopback interfaces.

Facility mode also supports the option to perform a MAC swap. When MAC swap is enabled, the system swaps the source and destination Ethernet MAC addresses for unicast and unknown unicast traffic only. Broadcast and multicast traffic is dropped for both data and control traffic. Nokia recommends to enable MAC swap for MAC-VRF, IP-VRF, and default network instances.



Note: On 7250 IXR platforms, MAC swap must be configured when facility loopback is enabled.

When a physical interface is in facility loopback mode, certain port protocols including EFM-OAM, LACP, LLDP, and EAPOL (802.1x packets) are not looped back at ingress. At egress, system-generated frames for these same port protocols are transmitted to keep the protocol active and allow traffic to be sent out of the loopback-enabled interface. Any other control protocol packets are dropped.

When a VLAN subinterface is in facility loopback mode, at ingress, all frames received are looped back. However, at egress, all CPU generated traffic is dropped.

16.1 Configuring loopback mode

About this task

When an administratively enabled interface (non-breakout or breakout) is put in terminal loopback mode, the interface status immediately transitions to operationally up, even if no transceiver is installed. Similarly, if the interface is a member of a static LAG (LACP mode static) and the **min-links** threshold is met, the LAG immediately becomes fully functional.

If an interface fails to enter a configured loopback mode for any reason, the state value for the interface shown in the **info interface loopback-mode** command remains at **none**.

In addition, when facility loopback mode is enabled on an interface or subinterface, the existing statistics are not cleared. If you must verify the interface counters, first clear the interface statistics and then perform any required traffic tests.

Procedure

To configure the loopback mode on a physical interface or VLAN subinterface, use the **loopback-mode** command. Supported values are: **facility**, **none**, and **terminal** (**terminal** is supported on physical interfaces only).

Example: Set the physical port loopback mode to terminal (7250 IXR)

The following example sets the loopback mode for interface ethernet-1/1 to terminal.

```
--{ candidate shared default }--[ ]--
# info interface ethernet-1/1
  interface ethernet-1/1 {
    loopback-mode terminal
  }
```

Example: Set the physical port loopback mode to facility

The following example sets the loopback mode for interface ethernet-1/2 to facility and sets the MAC swap setting to true. MAC swap is supported only with facility loopback mode.

```
--{ candidate shared default }--[ ]--
# info interface ethernet-1/2
  interface ethernet-1/2 {
    loopback-mode facility
    swap-src-dst-mac true
  }
```

Example: Set the VLAN loopback mode to facility

The following example sets the loopback mode to facility for VLAN subinterface 1 on interface ethernet-1/3 and sets the MAC swap setting to true.

```
--{ candidate shared default }--[ ]--
# info interface ethernet-1/3 subinterface 1
  interface ethernet-1/3 {
    subinterface 1 {
      vlan {
        loopback-mode facility
        swap-src-dst-mac true
      }
    }
  }
```

```
}
```

17 PHY-to-port-group mapping (7220 IXR-D2 and 7220 IXR-D2L only)

On 7220 IXR-D2 and 7220 IXR-D2L devices there are 12 port groups, consisting of 4 ports each. The group a port belongs to corresponds to the PHY connected to the port; the ports in a port group are all connected to the same PHY.

On 7220 IXR-D2 devices, the Ethernet ports are grouped using the following mapping:

Figure 4: Port-group mapping on 7220 IXR-D2

1	3	5	7	9	11	13	15	17	19	21	23	25	27	29	31	33	35	37	39	41	43	45	46	49	51	53	55
2	4	6	8	10	12	14	16	18	20	22	24	26	28	30	32	34	36	38	40	42	44	46	47	50	52	54	56

sw4424

In this mapping, ports 1, 2, 3, and 4 belong to one port group, ports 5, 6, 7, and 8 belong to another port group, and so on.

On 7220 IXR-D2L devices, the Ethernet ports are grouped using the following mapping:

Figure 5: Port-group mapping on 7220 IXR-D2L

1	4	7	10	13	16	19	22	25	28	31	34	37	40	43	46													
2	5	8	11	14	17	20	23	26	29	32	35	38	41	44	47	49	51	53	55									
3	6	9	12	15	18	21	24	27	30	33	36	39	42	45	48	50	52	54	56									

sw4425

In this mapping, ports 1, 2, 3, and 6 belong to one port group, ports 4, 5, 7, and 9 belong to another port group, and so on.

17.1 Displaying the members of a port group

Procedure

To list the members of the port group to which a specified port belongs, use the **info from state interface phy-group-members** command. All of the ports in the group are connected to the same PHY on the 7220 IXR-D2 or 7220 IXR-D2L device.

Example

The following example displays the members of the port group to which interface ethernet 1/1 on a 7220 IXR-D2L device belongs.

```
--{ running }--[ ]--
# info from state interface ethernet-1/1 phy-group-members
interface ethernet-1/1 {
  phy-group-members [
```



```
    ethernet-1/1  
    ethernet-1/2  
    ethernet-1/3  
    ethernet-1/6  
  }  
}
```

18 IPv4 ARP and IPv6 ND

Address Resolution Protocol (ARP) allows an IPv4 host or router to learn the link-layer (MAC) address that is associated with a neighbor's IPv4 address. IPv4 ARP also provides address conflict detection.

Similarly, the Neighbor Discovery (ND) protocol allows an IPv6 host or router to learn the link-layer address that is associated with a neighbor's IPv6 address. IPv6 ND also supports duplicate address detection (DAD) and neighbor unreachability detection (NUD).

In SR Linux the `arp_nd_mgr` is the software process that handles the sending and receiving of ARP and ND messages.

Interaction between SR Linux and the underlying Linux OS

The underlying Linux OS uses its own ARP/ND stack to send ARP requests and neighbor solicitations as required by native Linux applications. The SR Linux `arp_nd_mgr` intercepts each request and, if it has a matching neighbor entry, replies to it immediately. Otherwise `arp_nd_mgr` sends the request and processes the neighbor responses, which it then forwards back to the underlying Linux OS.

In addition, if **network-instance protocols linux export-neighbors** is set to **true**, `linux_mgr` adds all neighbors that are known to `arp_nd_mgr` as static neighbors in the underlying Linux OS.

18.1 IPv4 ARP

ARP allows a router to determine the next-hop MAC address for a particular destination IPv4 address. SR Linux provides the following ARP support on IPv4 routed subinterfaces:

- static ARP entries
- dynamic ARP entries with configurable timeout per subinterface
- EVPN entries (on platforms where EVPN is enabled)
- address conflict detection (ACD) per RFC 5227

Static ARP entries

A static ARP entry associates an IPv4 address with a MAC address on a subinterface. When the configuration is committed, `arp_nd_mgr` interacts with the Nokia eXtensible Data Path (XDP) hardware abstraction layer to add the ARP entry into the relevant hardware tables.

Dynamic ARP entries

SR Linux creates dynamic ARP requests in the following cases:

- **Routing next-hop groups:** When you create a static next-hop-group with an IPv4 next-hop (or when `fib_mgr` creates a dynamic next-hop-group with an IPv4 next-hop) and no ARP entry exists for the next-hop, SR Linux immediately sends an ARP request for the next-hop, even without a traffic trigger.
- **Locally connected hosts:** When the system receives an IPv4 packet and the destination is a host address on a local subnet for which there is no ARP entry, `arp_nd_mgr` sends an ARP request for the

destination. While the system waits for a reply, additional packets destined for the destination may be buffered.

- **Linux applications:** When a Linux application sends an ARP request for an address, `arp_nd_mgr` intercepts the message and if no matching ARP entry exists, `arp_nd_mgr` creates its own ARP request for the address.

After `arp_nd_mgr` sends an ARP request, it performs the following steps:

1. If no ARP reply is received, the ARP entry is put on the retry list that the system revisits every 30 seconds. The ARP entry does not appear in **info from state** output yet.
2. When the system receives an ARP reply, a dynamic entry is programmed and its expiration timeout is based on the subinterface configuration; the default is 4 hours. The expiration timeout is reset whenever the subinterface receives any ARP packet from the associated source address.
3. 30 seconds before the expiration timeout ends, `arp_nd_mgr` considers the ARP entry to be stale and automatically sends a new ARP request for the address. If it receives a response, the expiration timeout is reset. If no response is received when the expiration timeout ends, the ARP entry is deleted and removed from **info from state**.

For expired next-hop route addresses, the system periodically resends new ARP requests to attempt to resolve those entries.

Address conflict detection

By default, address conflict detection is enabled on every router subinterface, but it can be disabled per subinterface.

18.1.1 Configuring static ARP entries

Procedure

To create a static ARP entry on a subinterface, use the `ipv4 arp neighbor ipv4-address link-layer-address mac-address` command to associate the IPv4 address of a neighbor with its MAC address.

Example: Configure a static ARP entry

```
--{ + candidate shared default }--[ ]--
# info interface ethernet-1/1 subinterface 2 ipv4 arp
  interface ethernet-1/1 {
    subinterface 2 {
      ipv4 {
        arp {
          timeout 28800
          neighbor 192.168.10.3 {
            link-layer-address 00:00:5E:00:53:EF
          }
        }
      }
    }
  }
}
```

18.1.2 Configuring dynamic ARP timeout

Procedure

For dynamic ARP entries, you can optionally modify the expiration timeout value on a subinterface using the **ipv4 arp timeout** command. The time remaining for existing dynamic ARP entries on the subinterface is not affected by this update.

Example: Configure dynamic ARP timeout on a subinterface

```
--{ + candidate shared default }--[ ]--
# info interface ethernet-1/1 subinterface 2 ipv4 arp timeout
  interface ethernet-1/1 {
    subinterface 2 {
      ipv4 {
        arp {
          timeout 28800
        }
      }
    }
  }
}
```

18.1.3 Disabling ARP address conflict detection

Procedure

By default, address conflict detection (ACD) is enabled on every router subinterface, but you can disable it for a subinterface by setting **ipv4 arp duplicate-address-detection** to **false**.

However, if the subinterface is configured as a DHCPv4 client, ACD is always performed, regardless of this per-subinterface setting.

Example: Disable ARP address conflict detection on a subinterface

```
--{ + candidate shared default }--[ ]--
# info interface ethernet-1/1 subinterface 1 ipv4 arp
  interface ethernet-1/1 {
    subinterface 1 {
      ipv4 {
        arp {
          duplicate-address-detection false
        }
      }
    }
  }
}
```

18.2 IPv6 Neighbor Discovery

Neighbor Discovery (ND) protocol allows a router to determine the next-hop MAC address for a particular destination IPv6 address. SR Linux provides the following ND support on IPv6 routed subinterfaces:

- support for all 5 neighbor states: incomplete, reachable, stale, delay, and probe
- static neighbor cache entries

- dynamic neighbor cache entries with configurable timeout per subinterface
- duplicate address detection
- neighbor unreachability detection

Static IPv6 Neighbor Entries

A static neighbor entry associates an IPv6 address with a MAC address on a subinterface. When the configuration is committed, `arp_nd_mgr` interacts with XDP to add the neighbor entry into the relevant hardware tables.

IPv6 Neighbor Entries for Routing Next-Hops

When you create a static next-hop-group with an IPv6 next-hop (or when `fib_mgr` creates a dynamic next-hop-group with an IPv6 next-hop) and no neighbor entry exists for that address, `arp_nd_mgr` immediately sends a neighbor solicitation request for the address, even without a traffic trigger. The neighbor solicitation process is as follows:

- If no neighbor advertisement is received for the target address, the neighbor solicitation message is retransmitted every 1 second (with some randomization). The retransmit interval is not configurable. The neighbor entry does not appear in **info from state** yet.
- If a neighbor advertisement is received for the target address, a dynamic entry is programmed with an initial state of `reachable`. The state changes to `stale` after the reachable time expires. The reachable time is configurable per subinterface with a default of 30 seconds.
- While the neighbor is `stale`, the system makes no attempt to confirm reachability using neighbor solicitations, even if there is traffic destined for the target address. The neighbor state changes from `stale` to `delay` (and subsequently `probe`) after the stale time expires. Stale time is configurable per subinterface with a default of 14 400 seconds. The `arp_nd_mgr` attempts to refresh the neighbor entry by sending a neighbor solicitation (and retransmitting twice if required). If no response is received, the neighbor entry is deleted and removed from **info from state**.

IPv6 neighbor limit on subinterfaces

You can set a limit on the number of IPv6 neighbors that a subinterface can learn. The following considerations apply:

- The limit only applies to dynamic neighbors. Static and EVPN neighbors do not count towards the limit and can still be added when the dynamic neighbor limit is exceeded.
- If a subinterface already has a number of dynamic neighbor entries and you set the neighbor limit to below the current number of entries, the router does not remove the exceeding entries. Existing neighbors are still refreshed. The limit only applies to new learned neighbors.
- The system provides two log events that warn about the number of entries exceeding the configured threshold.

18.2.1 Configuring static ND entries

Procedure

To create a static ND entry on a subinterface, use the **`ipv6 neighbor discovery neighbor ipv6-address link-layer-address mac-address`** command to associate the IPv6 address of a neighbor with its MAC address.

Example: Configure a static ND entry for a subinterface

```
--{ +* candidate shared default }--[ ]--
# info interface ethernet-1/1 subinterface 2 ipv6 neighbor-discovery neighbor 2001:db8::1
interface ethernet-1/1 {
  subinterface 2 {
    ipv6 {
      neighbor-discovery {
        neighbor 2001:db8::1 {
          link-layer-address 00:00:5E:00:53:AF
        }
      }
    }
  }
}
```

18.2.2 Configuring ND reachable time and stale time

Procedure

If the system receives a neighbor advertisement with a target address, a dynamic entry is programmed with an initial state of `reachable`. The state changes to `stale` after **reachable-time** seconds. The **reachable-time** is configurable per subinterface with a default of 30 seconds. While the neighbor is `stale`, the system makes no attempt to confirm reachability using neighbor solicitations, even if there is traffic destined for the target address. The neighbor state changes from `stale` to `delay` (and subsequently `probe`) after the **stale-time** expires. The **stale-time** is configurable per subinterface with a default of 14 400 seconds.

Example: Configure ND reachable time and stale time on a subinterface

```
--{ + candidate shared default }--[ ]--
# info interface ethernet-1/1 subinterface 1 ipv6 neighbor-discovery
interface ethernet-1/1 {
  subinterface 1 {
    ipv6 {
      neighbor-discovery {
        reachable-time 50
        stale-time 28800
      }
    }
  }
}
```

18.2.3 Configuring IPv6 neighbor limit on subinterfaces

Procedure

To set a limit for IPv6 neighbors, use the **subinterface ipv6 neighbor-discovery limit** command, which has the following configurable parameters:

- **max-entries**: Sets the maximum number of neighbor entries allowed on the subinterface.
- **log-only**: Defines the action taken when the subinterface exceeds the **max-entries** limit. When set to **true**, the system keeps learning entries on the subinterface and only logs an event.

- **warning-threshold-pct**: Sets the percentage of max-entries that triggers a log event indicating the limit is approaching. The default value is 90 percent of the configured **max-entries** limit. The event is logged only the first time a neighbor exceeds the limit, and the condition is cleared if the limit falls back below the threshold.

The threshold value is calculated as follows:

$$(\text{max-entries} * \text{warning-threshold-pct})/100$$

However, the system rounds the result down. Therefore, a **max-entries** setting of **2** provides the same result whether the **warning-threshold-pct** is **90** percent or **50** percent:

$$2*90/100 = 2*50/100 = 1$$

Example: Configure IPv6 neighbor limit on a subinterface

```
--{ * candidate shared default }--[ ]--
# info interface ethernet-1/1 subinterface 3 ipv6 neighbor-discovery
  interface ethernet-1/1 {
    subinterface 3 {
      ipv6 {
        neighbor-discovery {
          limit {
            max-entries 10
            log-only false
            warning-threshold-pct 85
          }
        }
      }
    }
  }
}
```

19 DHCP relay

DHCP relay refers to the router's ability to act as an intermediary between DHCP clients requesting configuration parameters, such as a network address, and DHCP servers when the DHCP clients and DHCP servers are not attached to the same broadcast domain, or do not share the same IPv6 link (in the case of DHCPv6).

SR Linux supports DHCP relay for IRB subinterfaces and Layer 3 subinterfaces. Up to 8 DHCP or DHCPv6 servers are supported. The DHCP relay maximum packet size (including option 82 and vendor-specific options) is capped at 1500 bytes to avoid fragmentation on the Ethernet segment end attached to the DHCP server.

When DHCP relay is enabled for a subinterface, and a DHCP client initiates a request for configuration parameters, the router accepts the DHCP client's request and relays it to the remote DHCP server, which sends back the configuration parameters. The router relays the configuration parameters to the client.

The DHCP server network can be in the same IP-VRF network-instance of the Layer 3 subinterfaces that require DHCP relay (see [Figure 6: DHCP relay for IRB and Layer 3 subinterfaces](#)), or it can be in a different IP-VRF network-instance or the default network instance (see [Figure 7: DHCP relay using different IP-VRF or default network-instance](#)).

SR Linux supports DHCP relay for IPv4 and IPv6. This guide refers to DHCP for IPv4 as DHCP, and DHCP for IPv6 as DHCPv6.

Figure 6: DHCP relay for IRB and Layer 3 subinterfaces

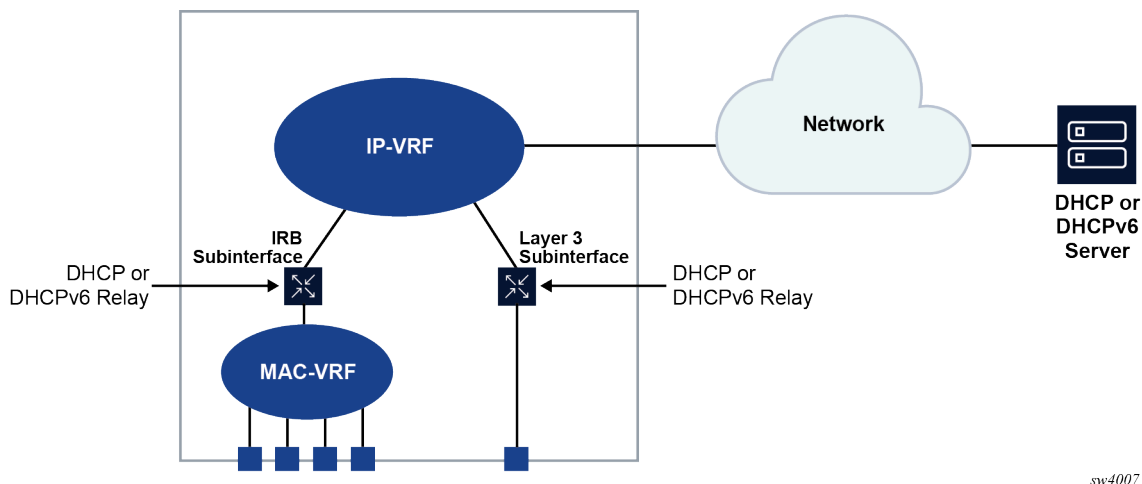
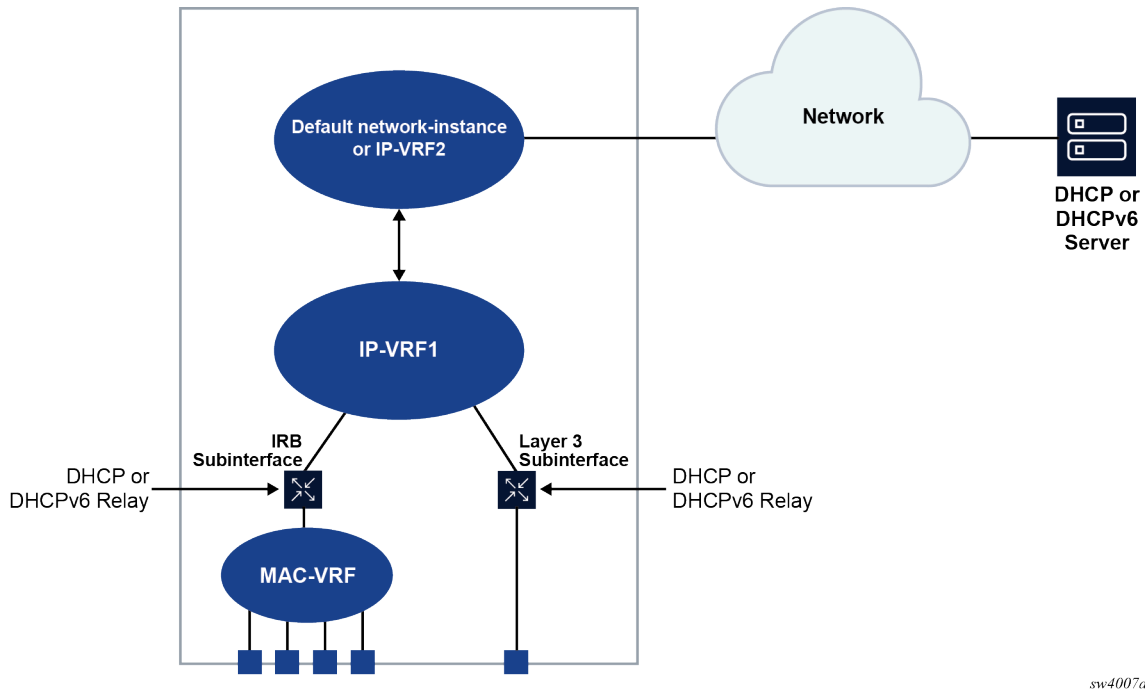


Figure 7: DHCP relay using different IP-VRF or default network-instance



sw4007a

19.1 DHCP relay for IPv4

When DHCP relay is enabled, the router intercepts DHCP broadcast packets and unicasts them to a specified DHCP server for handling. By default, the source address for DHCP packets relayed to the server (GIADDR) is the IP address of the ingress subinterface where the DHCP relay agent is enabled, although a different GIADDR can be specified if necessary.

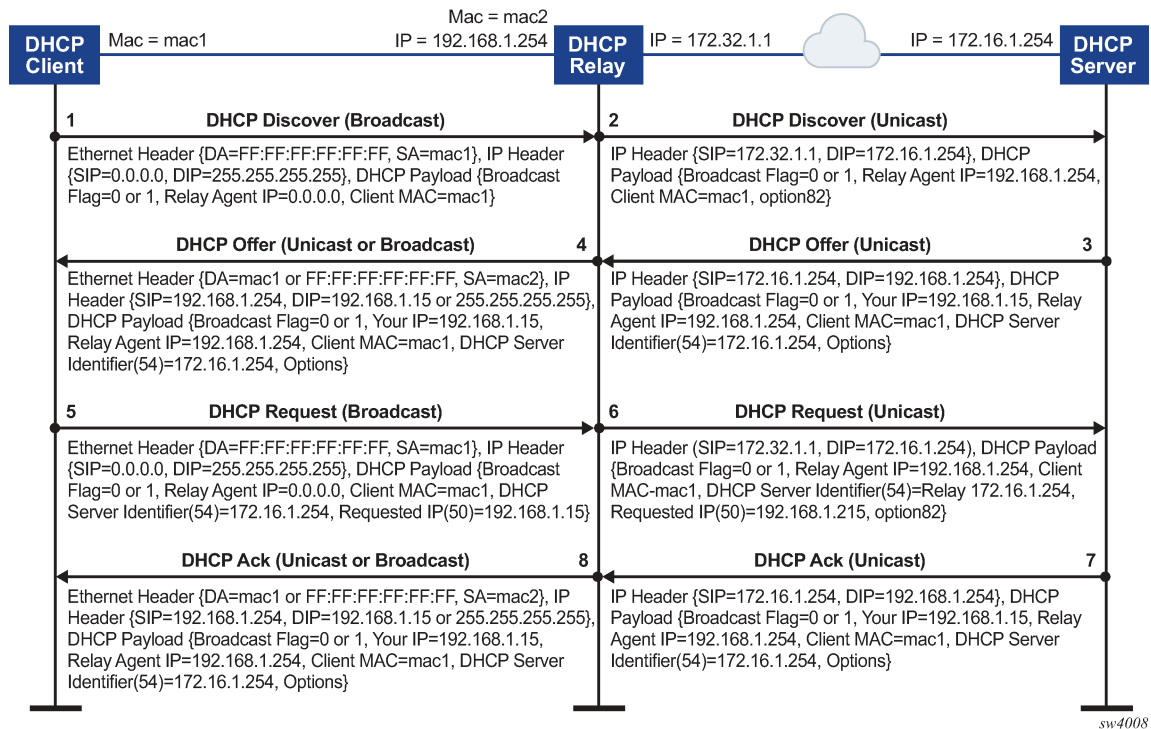
SR Linux supports DHCP option 82, the Relay Information Option, specified in RFC 3046, which allows the router to append information to DHCP requests relayed to the DHCP server, identifying where the original DHCP request came from. DHCP option 82 includes two sub-options: circuit-id and remote-id.

When configured to do so, SR Linux includes the following information in the circuit-id and remote-id sub-options of DHCP option 82:

- For circuit-id, the system_name/VRF_instance/sub-interface_id:vlan_id of the ingress subinterface where the DHCP relay agent is enabled that receives the DHCP Discover message from the DHCP client.
- For remote-id, the MAC address of the DHCP client.

[Figure 8: DHCP message flow for IPv4 address allocation](#) shows an example of the discovery, offer, request, and acknowledgment (DORA) message flow that occurs when DHCP relay assigns an address to a DHCP client.

Figure 8: DHCP message flow for IPv4 address allocation



The DORA message flow shown in [Figure 8: DHCP message flow for IPv4 address allocation](#) works as follows:

1. The DHCP client sends a DHCP Discover (broadcast) message with the following values:

- DA = FF:FF:FF:FF:FF:FF (broadcast)
- SA= client MAC
- SIP = 0.0.0.0
- DIP = 255.255.255.255
- Source UDP port = 68
- Destination UDP port = 67

The DHCP payload has the following values:

- Broadcast flag = 1 (broadcast) or 0 (unicast)
- Relay agent IP = 0.0.0.0
- Client MAC = mac1
- Parameter request list (option 55) which lists the required items from the DHCP server to be sent along with the IP address like subnet mask, router (gateway), and others

2. The DHCP relay agent relays the DHCP Discover message toward the DHCP server (unicast). If configured to do so, information is added for the circuit ID and remote ID sub-options in DHCP option 82. The relayed packet is unicast toward the DHCP servers with the following values:

- SIP = outgoing interface IP address by default. If the source-address is configured, the relayed packet instead has SIP = configured source-address

- UDP source port = 67
- UDP destination port = 67

The DHCP payload has the following values:

- Broadcast = 1 (broadcast) or 0 (unicast)
- Relay agent IP (giaddr) = IP address of the ingress sub-interface where the DHCP relay agent is enabled
- Client MAC = mac1
- Relay agent information (option 82)

3. The DHCP server assigns an IP address to the DHCP client, based on information in the GIADDR or in option 82, if configured to do so. The DHCP server sends a DHCP Offer message to the DHCP relay agent (unicast). The DHCP Offer message includes the IP address assigned to the DHCP client.

The DHCP Offer packet is unicast with the following values:

- SIP = DHCP IP address
- DIP = giaddr
- UDP source port = 67
- UDP destination port = 67

The DHCP payload has the following values:

- Broadcast flag = 1 (broadcast) or 0 (unicast).
- Your (client) IP = IP address assigned by DHCP server
- Relay agent IP = giaddr
- Client MAC = mac1
- DHCP server identifier = DHCP server IP address
- Option 82 (echoed back, and based on DHCP server configuration)
- IP address Lease time (option 51)
- Subnet mask (option 1)
- Router (gateway) (option 3)
- Others (DNS, Renewal Time value, Rebinding Time value, and so on)

4. The DHCP relay agent relays the DHCP Offer message to the DHCP client (either broadcast or unicast, based on the broadcast flag sent by the client).

The DHCP Offer message is relayed from the DHCP relay agent toward the client with the following values:

- DA = FF:FF:FF:FF:FF:FF (broadcast) OR Client MAC(unicast)
- SIP = sub-interface IP address toward the client where DHCP relay agent is enabled
- DIP = 255.255.255.255 (broadcast) OR Your (client) IP address (unicast)
- Source UDP port = 67
- Destination UDP port = 68

The DHCP relay agent relays the DHCP Offer toward the client without option 82. It strips off option 82 if echoed back from DHCP server.

The DHCP payload has the following values:

- Broadcast flag = 1 (broadcast) or 0 (unicast).
- Your (client) IP = IP address assigned by DHCP server
- Relay agent IP = giaddr
- Client MAC = mac1
- DHCP server identifier = DHCP server IP address
- Option 82 (echoed back, and based on DHCP server configuration)
- IP address Lease time (option 51)
- Subnet mask (option 1)
- Router (gateway) (option 3)
- Others (DNS, Renewal Time value, Rebinding Time value, and so on.)

5. The DHCP client sends a DHCP request message (broadcast) with the following values:

- DA = FF:FF:FF:FF:FF:FF (broadcast)
- SA = client MAC
- SIP = 0.0.0.0
- DIP = 255.255.255.255
- Source UDP port = 68
- Destination UDP port = 67

The DHCP payload has the following values:

- Broadcast flag = 1 (broadcast) or 0 (unicast).
- Relay agent IP = 0.0.0.0
- Client MAC = mac1
- DHCP server identifier = DHCP server IP address
- Requested IP (option 50)
- Parameter request list (option 55) that lists the required items from the DHCP server to be sent along with the IP address like subnet mask, router (gateway), and others

6. The DHCP relay agent relays the DHCP Request message toward the DHCP server (unicast). The relayed packet is unicast toward the DHCP servers, with the following values:

- SIP = outgoing interface IP address by default. If source-address is configured, then the relayed packet has SIP = configured source-address.
- UDP source port = 67
- UDP destination port = 67

The DHCP payload has the following values:

- Broadcast flag = 1 (broadcast) or 0 (unicast).
- Relay agent IP = giaddr
- Client MAC = mac1
- DHCP server identifier = DHCP server IP address

- Requested IP (option 50)
 - Relay agent Information (option 82) if configured under dhcp-relay
 - Parameter request list (option 55) that lists the required items from the DHCP server to be sent along with the IP address like subnet mask, router (gateway), and others
 - Vendor specific option (if configured)
7. The DHCP server sends a DHCP Ack message to the DHCP relay agent (unicast). The DHCP Ack packet is unicasted with the following values:
- SIP = DHCP IP address
 - DIP = giaddr
 - UDP source port = 67
 - UDP destination port = 67

The DHCP payload has the following values:

- Broadcast flag, either 1 (broadcast), or 0 (unicast)
 - Your (client) IP = IP address assigned by DHCP server
 - Relay agent IP = giaddr
 - Client MAC = mac1
 - DHCP server identifier = DHCP server IP address
 - Option 82 (echoed back and based on DHCP server configuration)
 - IP address Lease time (option 51)
 - Subnet mask (option 1)
 - Router (gateway) (option 3)
 - Others (DNS, Renewal Time value, Rebinding Time value, and so on.)
8. Based on the broadcast flag sent by the client, the DHCP Offer is relayed from the DHCP relay agent toward the client with the following values:
- DA = FF:FF:FF:FF:FF:FF (broadcast) OR Client MAC(unicast)
 - SIP = sub-interface IP address toward the client where the DHCP relay agent is enabled
 - DIP = 255.255.255.255 (broadcast) OR Your (client) IP address (unicast)
 - Source UDP port = 67
 - Destination UDP port = 68

The DHCP relay agent relays the DHCP Offer toward client without option 82. It strips off option 82 if echoed back from DHCP server.

The DHCP payload has the following values:

- Broadcast flag can be either 1 (broadcast), or 0 (unicast)
- Your (client) IP = IP address assigned by DHCP server
- Relay agent IP = giaddr
- Client MAC = mac1
- DHCP Server identifier (option 54) = DHCP server IP address

- IP address lease time (option 51)
- Subnet mask (option 1)
- Router (gateway) (option 3)
- Others (DNS, Renewal Time value, Rebinding Time value, and so on.)

When renewing or releasing an address, the DHCP client unicasts the DHCP Request or Release message to the DHCP server without involvement by the DHCP relay agent.

19.1.1 Configuring DHCP relay for IPv4

Procedure

To configure DHCP relay for a subinterface:

- Configure the addresses / FQDNs of the DHCP servers.
- Optionally configure the source address for DHCP messages sent to the servers.
- Configure whether information is added to the sub-options for DHCP option 82.

Example: Configure the DHCP relay agent on a subinterface

The following example configures the DHCP relay agent on a subinterface. The example configures the IP addresses / FQDNs of the remote DHCP servers and specifies the address to be used as the GIADDR in packets sent to the servers.

The `circuit-id` and `remote-id` options are configured, which causes the DHCP relay agent to include the `system_name/VRF_instance/sub-interface_id:vlan_id` in the `circuit-id` sub-option and the DHCP client MAC address in the `remote-id` sub-option of DHCP option 82.

```
--{ * candidate shared default }--[ ]--
# info interface ethernet-1/2
interface ethernet-1/2 {
  subinterface 1 {
    ipv4 {
      admin-state enable
      address 1.1.4.4/24 {
      }
      dhcp-relay {
        option [
          circuit-id
          remote-id
        ]
        source-address 1.1.4.4
        server [
          172.16.32.1
          172.16.64.1
          192.168.1.1
          remoteserver.example.com
        ]
      }
    }
  }
}
```

Example: Specify the network-instance of the DHCP server

If the DHCP server network is in a different IP-VRF network-instance from the Layer 3 subinterfaces that require DHCP relay (see [Figure 7: DHCP relay using different IP-VRF or default network-instance](#)), specify the network-instance in the configuration. For example:

```
--{ * candidate shared default }--[ ]--
# info interface ethernet-1/2
interface ethernet-1/2 {
  subinterface 1 {
    ipv4 {
      admin-state enable
      address 1.1.4.4/24 {
      }
    }
    dhcp-relay {
      network-instance ipvrf2
      option [
        circuit-id
        remote-id
      ]
      source-address 1.1.4.4
      server [
        172.16.32.1
        172.16.64.1
        192.168.1.1
        remoteserver.example.com
      ]
    }
  }
}
```

19.1.2 Using the GIADDR as the source address for DHCP Discover/Request packets

Procedure

By default, the SR Linux uses the IP address of the outgoing interface as the source address for Discover/Request packets sent to the DHCP server. This is not the needed behavior for some configurations, such as a firewall protecting the DHCP server that allows connections from a limited set of IP addresses. You can use the **use-gi-addr-as-src-ip-addr** parameter to cause the SR Linux to instead use the GIADDR as the source address for Discover/Request packets sent to the DHCP server.

You can optionally configure the GIADDR address using the **gi-address** parameter. The configured GIADDR address can be a local IP address under the interface where DHCP relay is enabled, any loopback address within the same IP-VRF (if the DHCP server network is in this IP-VRF network-instance), or a loopback address defined in a different IP-VRF/default network-instance (if the DHCP server network is in different IP-VRF/default network-instance).

The following table shows the GIADDR and source address combinations.

Table 8: GIADDR and source address combinations

gi-address parameter	use-gi-addr-as-src-ipaddr parameter	GIADDR in relayed packet	Source IP address in relayed packet
Not configured (default)	False (default)	Primary IP address of interface	IP address of outgoing interface

gi-address parameter	use-gi-addr-as-src-ipaddr parameter	GIADDR in relayed packet	Source IP address in relayed packet
Configured	False (default)	Configured GIADDR	IP address of outgoing interface
Configured	True	Configured GIADDR	Configured GIADDR
Not configured (default)	True	Primary IP address of interface	Primary IP address of interface (because it is picked as the GIADDR)

Example

In the following example, the address specified with the **gi-address** parameter is used as the source address for Discover/Request packets sent to the DHCP server. If the **gi-address** parameter is not configured, then the default GIADDR (the primary IP address of the interface) is used.

```
--{ * candidate shared default }--[ ]--
# info interface ethernet-1/2
interface ethernet-1/2 {
  subinterface 1 {
    ipv4 {
      admin-state enable
      address 172.16.1.1/24 {
        primary
      }
      address 172.16.2.1/24 {
      }
    }
    dhcp-relay {
      admin-state enable
      gi-address 172.16.2.1
      use-gi-addr-as-src-ip-addr true
      option [
        circuit-id
        remote-id
      ]
      server [
        1.1.1.1
        2.2.2.2
      ]
    }
  }
}
```

19.1.3 Trusted and untrusted DHCP requests

If the DHCP relay agent receives a DHCP request and the downstream node added option 82 information or set the GIADDR to any value other than 0, the DHCP request is considered to be untrusted. By default, the router drops any untrusted DHCP request and discards the DHCP packets, as described in RFC 3046. SR Linux supports untrusted mode only. The DHCP relay agent discards DHCP packets traveling from the client to server side under the following conditions:

- The DHCP packet includes option 82.
- The DHCP packet has a GIADDR value that is not 0.

The DHCP relay agent discards DHCP packets traveling from the server to client side under the following conditions:

- The circuit-id or remote-id are not enabled on the relay interface, but are present in the packet.
- the GIADDR value in the DHCP packet does not match the GIADDR value on the relay interface.
- There is no matching entry in the cache.

19.2 DHCP relay for IPv6

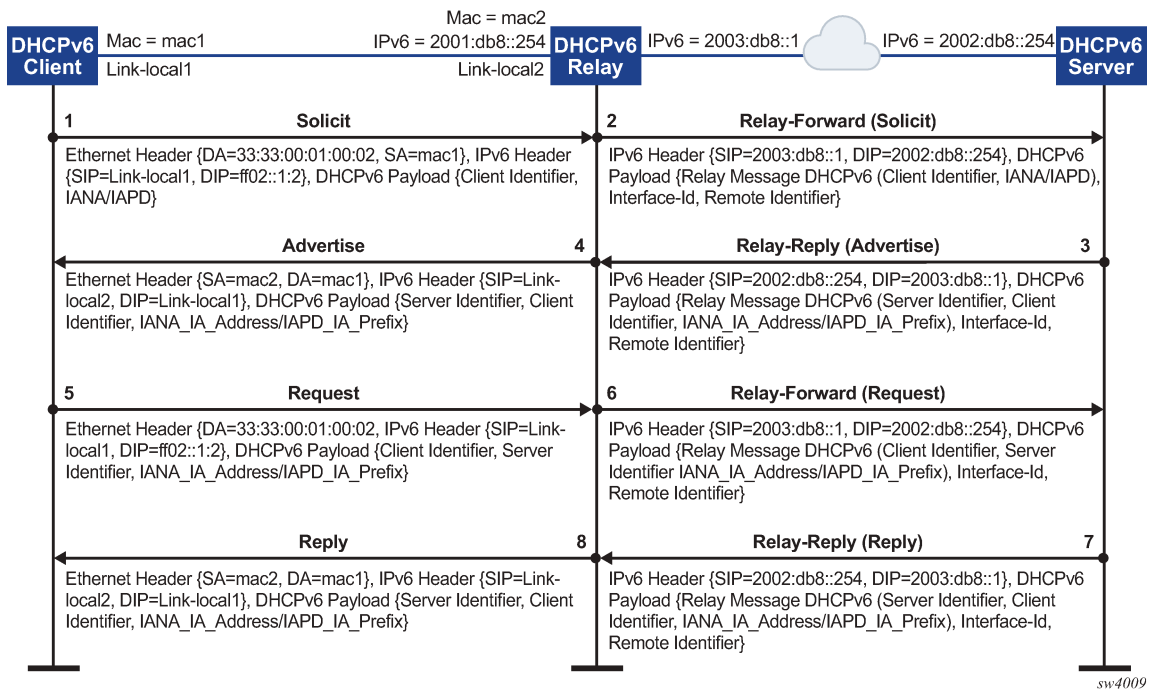
DHCP relay for IPv6 works similarly to IPv4. However, in DHCPv6, the DHCP Discover, Offer, and Ack messages are replaced by Solicit messages sent by clients, and Advertise and Reply messages sent by servers.

The DHCPv6 relay agent relays messages between clients and remote servers using Relay-Forward (client-to-server) and Relay-Reply (server-to-client) message types. DHCP option 82 is replaced in DHCPv6 by Interface-Id (option 18) and Remote Identifier (option 37), appended by relay agents.

You can optionally configure the DHCPv6 relay agent to include the client's MAC address in Client Link-Layer Address (option 79). This can be useful for dual-stack clients, where a client is using both DHCPv4 and DHCPv6, and the client's MAC address is being used as an identifier for DHCPv4.

Figure 9: DHCPv6 message flow for IPv6 address allocation shows the DHCPv6 message flow. Figure 10: DHCPv6 renew message flow and Figure 11: DHCPv6 release message flow show the renew and release flows.

Figure 9: DHCPv6 message flow for IPv6 address allocation



When assigning an address to a DHCP client, DHCP relay for IPv6 works as follows:

1. The DHCPv6 client uses its link-local address as the source IPv6 address and IPv6 multicast address FF02::1:2 and MAC address 33:33:00:01:00:02 as destination IPv6 address/MAC address respectively for solicit/request messages and with the following UDP values:
 - source UDP port = 546
 - destination UDP port = 547
2. The DHCPv6 relay agent uses a Relay-Forward message to relay the Solicit message toward the DHCPv6 server, using the outbound IPv6 address of the DHCPv6 relay agent as the source IPv6 address and with the following UDP values:
 - Source UDP port = 547
 - Destination UDP port = 547
3. The DHCPv6 server replies to the relay agent an IP address to the DHCP client, based on information in the GIADDR or in option 82, if configured to do so, and with the following UDP values:
 - Source UDP port = 547
 - Destination UDP port = 547
4. The DHCPv6 server replies to the relay agent with destination IPv6 address equal to DHCPv6 (RELAY-FW) source IPv6 address, and the following UDP values:
 - Source UDP port = 547
 - Destination UDP port = 547
5. The DHCP relay agent relays the DHCP Offer message to the DHCP client (either broadcast or unicast, based on the broadcast flag sent by the client).

Figure 10: DHCPv6 renew message flow

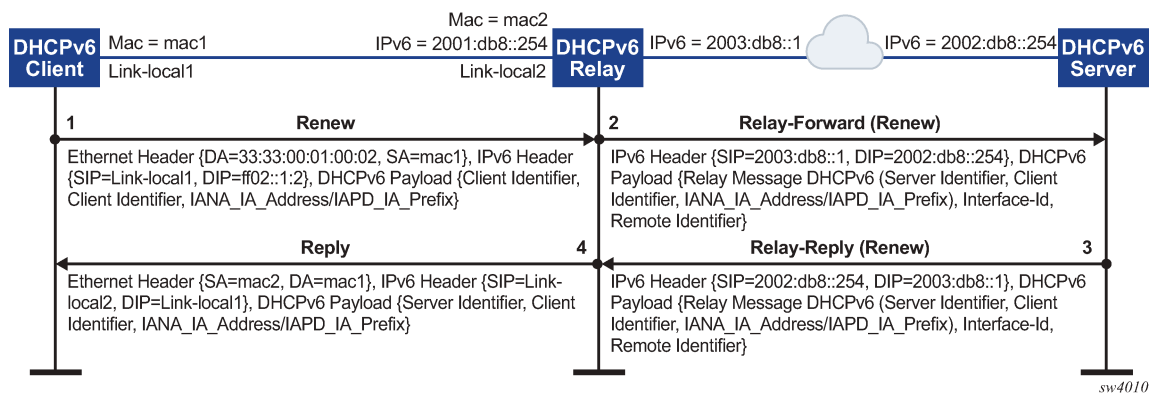
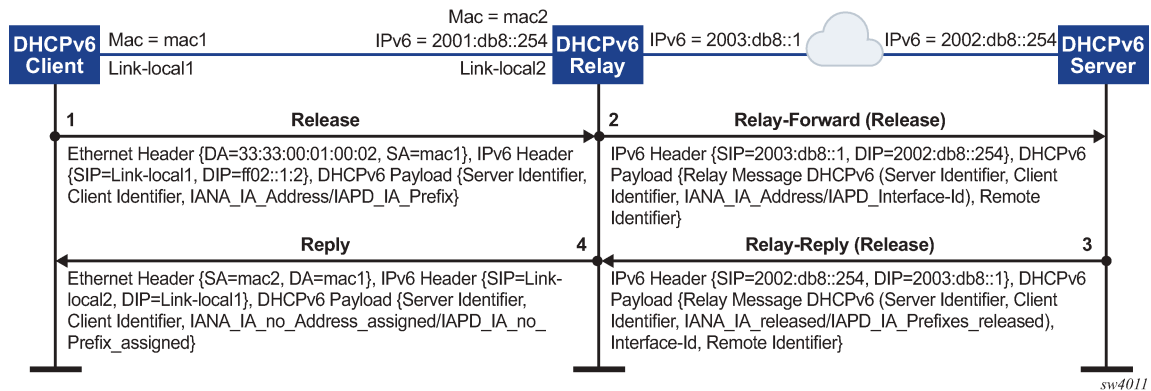


Figure 11: DHCPv6 release message flow



19.2.1 Configuring DHCP relay for IPv6

Procedure

To configure DHCP relay for a subinterface for IPv6:

- Configure the addresses / FQDNs of the DHCPv6 servers.
- Optionally configure the source IPv6 address for relay-forward messages sent to the servers.
- Optionally configure whether information is included in the Interface-Id (option 18) and Remote Identifier (option 37) in relay-forward messages.
- Optionally configure whether the MAC address of the DHCP client is included in the Client Link-Layer Address (option 79) in the relay-forward messages.

Example: Configure the DHCPv6 relay agent on a subinterface

The following example configures the DHCPv6 relay agent on a subinterface. The example configures the IP addresses / FQDNs of the remote DHCPv6 servers and specifies the address to be used as the source IPv6 address in packets sent to the servers.

The **interface-id** and **remote-id** options are configured, which causes the DHCPv6 relay agent to include the system_name/VRF_instance/subinterface_id:vlan_id in Interface-Id (option 18) and the DHCPv6 client MAC address in the Remote Identifier (option 37).

The **client-link-layer-address** option is configured, which causes the DHCPv6 relay agent to include the DHCPv6 client MAC address in the Client Link-Layer Address (option 79).

```
--{ * candidate shared default }--[ ]--
# info interface ethernet-1/2
  interface ethernet-1/2 {
    description dut1-dut4-1
    subinterface 1 {
      ipv6 {
        admin-state enable
        address 2001:db8:101::1/64 {
          primary
        }
        address 2001:db8:202::1/64 {
        }
      }
      dhcp-relay {
```

```

        admin-state enable
        source-address 2001:db8:101::1
        option [
            interface-id
            remote-id
            client-link-layer-address
        ]
        server [
            1::1
            2::2
            remoteserver.example.com
        ]
    }
}

```

Example: Specify the network-instance when the DHCPv6 server network is in a different IP-VRF

If the DHCPv6 server network is in a different IP-VRF network-instance from the Layer 3 subinterfaces that require DHCP relay (see [Figure 7: DHCP relay using different IP-VRF or default network-instance](#)), specify the network-instance in the configuration. For example:

```

--{ * candidate shared default }--[ ]--
# info interface ethernet-1/2
  interface ethernet-1/2 {
    description dut1-dut4-1
    subinterface 1 {
      ipv6 {
        admin-state enable
        address 2001:db8:101::1/64 {
          primary
        }
        address 2001:db8:202::1/64 {
        }
        dhcp-relay {
          admin-state enable
          source-address 2001:db8:101::1
          network-instance ipvrf2
          option [
            interface-id
            remote-id
            client-link-layer-address
          ]
          server [
            1::1
            2::2
            remoteserver.example.com
          ]
        }
      }
    }
  }
}

```

19.3 QoS for DHCP relay

Self-generated DHCP/DHCPv6 packets are mapped into forwarding class 4 (fc4), low drop probability level, and DSCP marking 34 (AF41).

19.4 DHCP relay operational down reasons

The DHCP relay agent can enter an operationally down state in the following scenarios:

- The DHCP relay admin state is down.
- The subinterface under which DHCP relay is configured is operationally down.
- All DHCP servers configured within the network instance are unreachable.
- The configured GIADDR for DHCP, or source-address for DHCPv6, does not match any of the configured IP addresses under the subinterface where DHCP relay is configured
- The IP address is deleted under the subinterface.

19.5 Updating domain name resolution for DHCP-relay server FQDNs

Procedure

If the DHCP relay configuration specifies a remote DHCP server using an FQDN instead of an IP address, SR Linux periodically refreshes the state of the domain to ensure the DHCP server name can be resolved. If the name of a DHCP server cannot be resolved, the DHCP relay agent does not send requests to that DHCP server until its name can be successfully resolved.

To manually cause an update of all domain name resolutions for DHCP servers configured for DHCP relay, use the **tools system dhcp-relay update-dns-entries** command.

Example

```
--{ running }--[ ]--
# tools system dhcp-relay update-dns-entries
```

You can display the domain name resolutions with an **info from state** command. For example:

```
--{ running }--[ ]--
# info from state interface ethernet-1/1 subinterface 1 ipv4 dhcp-relay dns-resolution
  interface ethernet-1/1 {
    subinterface 1 {
      ipv4 {
        dhcp-relay {
          dns-resolution {
            server example.com {
              resolved-ip-address 10.0.0.1
              last-update "25 seconds ago"
            }
          }
        }
      }
    }
  }
```

```
}

```

19.6 Displaying DHCP relay statistics

Procedure

To display DHCP relay statistics, use the **info from state** command in candidate or running mode, or the **info** command in state mode.

Example: IPv4

```
--{ * candidate shared default }--[ ]--
# info from state interface ethernet-1/16 subinterface 1 ipv4 dhcp-relay statistics
interface ethernet-1/16 {
  subinterface 1 {
    ipv4 {
      dhcp-relay {
        statistics {
          client-packets-received 2
          client-packets-relayed 2
          client-packets-discarded 0
          server-packets-received 2
          server-packets-relayed 2
          server-packets-discarded 0
        }
      }
    }
  }
}

```

Example: IPv6

```
--{ * candidate shared default }--[ ]--
# info from state interface ethernet-1/16 subinterface 1 ipv6 dhcp-relay statistics
interface ethernet-1/16 {
  subinterface 1 {
    ipv6 {
      dhcp-relay {
        statistics {
          client-packets-received 2
          client-packets-relayed 2
          client-packets-discarded 0
          server-packets-received 2
          server-packets-relayed 2
          server-packets-discarded 0
        }
      }
    }
  }
}

```

19.6.1 Clearing DHCP relay statistics

Procedure

You can clear the DHCP relay statistics counters for a specified subinterface.

Example

```
--{ * candidate shared default }--[ ]--  
# tools interface ethernet-1/2 subinterface 1 ipv4 dhcp-relay statistics clear  
/interface[name=ethernet-1/2]/subinterface[index=1]:  
subinterface ethernet-1/2.1 statistics cleared
```

20 DHCP server

For cases where a host requires IPAM (IP Address Management) without an external DHCP server, or where DHCP relay to underlay is not possible, IPAM information can be stored locally on the SR Linux device, which can assign an IP address and other DHCP options to the host using a local DHCP server.

SR Linux supports static IP allocations on both DHCPv4 and DHCPv6 servers. The SR Linux DHCP server can be enabled under regular Layer 3 or IRB subinterfaces. On Layer 3 or IRB subinterfaces, the DHCP server can only be enabled under subinterfaces where DHCP relay is disabled.

When an incoming DHCP Discover or Solicit message is received from a host (DHCP client), and its MAC address matches an entry in the SR Linux DHCP server configuration, the SR Linux DHCP server starts the process of IP address assignment and sends other DHCP options if configured to do so.

For DHCPv4, in addition to IP address allocation, SR Linux can send the following DHCP options to a host:

- router (option 3) – IPv4 address of the gateway for the DHCP client
- dns-server (option 6) – List of up to 4 DNS servers for the DHCP client to use
- hostname (option 12) – The hostname for the DHCP client
- domain-name (option 15) – The domain name the client can use when resolving hostnames via DNS
- interface-mtu (option 26) – The MTU to use on this interface. The MTU is specified as a 16-bit unsigned integer. The minimum legal value for the MTU is 68.
- ntp-server (option 42) – List of up to 4 NTP servers for the DHCP client to use
- server-id (option 54) – IP address the DHCP server must match within the network-instance, such as the subinterface primary address or loopback address
- tftp-server-name (option 66) – The FQDN of the TFTP server the client uses to download the bootfile/configuration script
- bootfile-name (option 67) – The name of the configuration file the client uses during booting
- domain-search-list (option 119) – The domain search list the client uses when resolving hostnames with DNS
- static-route (option 121) – Classless Static Route option, which contains one or more static routes, each consisting of a destination descriptor and the IP address of the router to be used to reach that destination
- tftp-server-address (option 150) – List of IP addresses of the TFTP servers the client uses to download the bootfile/configuration script

For DHCPv6, in addition to IP address allocation, SR Linux can send the following DHCP options to a host:

- dns-server (option 23) - List of up to 4 DNS servers for the DHCP client to use
- domain-search-list (option 24) - The domain search list the client uses when resolving hostnames with DNS

Notes:

- The DHCP server can be enabled under regular Layer 3 or IRB subinterfaces.
- The SR Linux DHCP server supports static IP address allocation only. Dynamic allocation is not supported.

- On Layer 3 subinterfaces, you can enable either DHCP relay or the DHCP server, but not both. DHCP servers can be enabled only on subinterfaces where DHCP relay is disabled.
- It is assumed there is no DHCP relay agent between the DHCP client and the SR Linux DHCP server. Relayed frames are not supported.
- For IPv6, DHCP configuration uses MAC-to-IPv6 address binding. The IPv6 address is assigned to the client based on the client's MAC address, not IAID. The client's MAC address is derived from the client identifier. The recommended client identifier type is DUID type DUID-LLT or DUID-LL.

20.1 Configuring the DHCP server

Procedure

To configure the SR Linux DHCP server, you enable it on a subinterface and at the system `dhcp-server` level configure DHCPv4 and DHCPv6 options and static IP allocations for the network-instance where DHCP is required.

Example: Enable DHCPv4 and DHCPv6 servers for a subinterface

```
--{ * candidate shared default }--[ ]--
# info interface ethernet-1/1 subinterface 1
  interface ethernet-1/1 {
    subinterface 1 {
      admin-state enable
      ipv4 {
        admin-state enable
        address 192.14.1.4/27 {
        }
      }
      dhcp-server {
        admin-state enable
      }
    }
    ipv6 {
      admin-state enable
      address 2001:192:14:1::4/120 {
      }
      dhcpv6-server {
        admin-state enable
      }
    }
  }
}
```

Example: Configure DHCPv4 and DHCPv6 options

The following example configures DHCPv4 and DHCPv6 options, which are supplied to DHCP clients on the default network-instance:

```
--{ * candidate shared default }--[ ]--
# info system dhcp-server
  system {
    dhcp-server {
      admin-state enable
      network-instance default {
        dhcpv4 {
          options {
            domain-name lan
          }
        }
      }
    }
  }
}
```



```
host 92:93:47:30:32:CA {  
  ip-address 2001:1::192:168:12:1/126  
  options {  
    dns-server [  
      2001:192:14:1::4  
    ]  
  }  
}  
}  
}  
}  
}
```

21 IPv6 router advertisements

You can configure an IPv6 subinterface to originate Router Advertisement (RA) messages. The following settings can be configured for the RA messages:

- Current hop limit to advertise in the RA messages.
- IP MTU. Hosts can associate the IP MTU with the link on which the RA messages are received.
- Managed configuration flag. When enabled, this setting indicates that hosts should use DHCPv6 to obtain IPv6 addresses.
- Other configuration flag. When enabled, this setting indicates that hosts should use DHCPv6 to obtain other configuration information (besides addresses).
- The maximum and minimum time between sending RA messages to the all-nodes multicast address.
- IPv6 prefix list. Hosts that support Stateless Address Auto-Configuration (SLAAC) can use the IPv6 prefixes in the RA messages to generate IPv6 addresses.
- Number of milliseconds advertised for the reachable time and the retransmit time in RA messages, which hosts use for address resolution and the ICMPv6 Neighbor Unreachability Detection algorithm.
- Number of seconds advertised as the router lifetime in RA messages. This setting indicates amount of time the advertising router can be used as a default router/gateway.

21.1 Configuring IPv6 router advertisements

Procedure

You can configure SR Linux to originate RA messages from an IPv6 subinterface. The RA messages include an IPv6 prefix that SLAAC-enabled clients can use to generate IPv6 addresses.

Example

```
--{ * candidate shared default }--[ ]--
# info interface ethernet-1/1 subinterface 1 ipv6 router-advertisement
  interface ethernet-1/1 {
    subinterface 1 {
      ipv6 {
        admin-state enable
        router-advertisement {
          router-role {
            admin-state enable
            prefix 2001:db8:0:b::/64 {
            }
          }
        }
      }
    }
  }
}
```

22 IPv6 Router Advertisement guard (RA guard)

IPv6 Router Advertisement guard (IPv6 RA guard) allows you to configure policies that filter out IPv6 RA messages that may be incorrectly or maliciously configured. IPv6 RA messages entering a subinterface where an IPv6 RA guard policy is applied can be accepted or discarded based on match criteria specified in the policy.

IPv6 RA guard is supported on Layer 2 and Layer 3 subinterfaces, which allows unwanted RA messages to be discarded as close to the network edge or server connection as possible. The IPv6 RA guard feature can be configured on 7220 IXR-Dx and 7215 IXS systems only.

On IRB interfaces, an IPv6 RA guard policy can be applied to the Layer 2 subinterface, but not on the IRB subinterface.

Ingress ACLs are applied before IPv6 RA guard policies, which may cause RA messages to be discarded before they can be evaluated by an IPv6 RA guard policy

**Note:**

Ingress ACLs are applied before IPv6 RA guard policies, which may cause RA messages to be discarded before they can be evaluated by an IPv6 RA guard policy

The following can be used as match criteria in an IPv6 RA guard policy:

- Advertised IPv6 prefix set
- Source IPv6 address list or prefix set
- RA hop-count limit
- Router preference value
- Managed configuration flag (M-flag) setting
- Other configuration flag (O-flag) setting

An IPv6 RA guard policy can have an action of accept or discard. When an IPv6 RA guard policy is applied to a subinterface, the default action for the subinterface is the opposite of the action specified in the policy. If the policy action is accept, then IPv6 RA packets that do not match the policy are discarded; if the policy action is discard, IPv6 RA packets that do not match the policy are accepted.

To configure IPv6 RA guard, you specify match criteria and an action in an IPv6 RA guard policy, then apply the policy to a subinterface. If an IPv6 RA guard policy is not applied to a subinterface, then IPv6 RA guard is disabled on that subinterface.

**Note:**

Depending on your configuration, it may be more efficient to block IPv6 RA messages on a subinterface using an ACL entry and action, instead of configuring an IPv6 RA guard policy.

22.1 Configuring IPv6 RA guard policies

Procedure

To configure an IPv6 RA guard policy, specify one or more match criteria and an action of either accept or discard.

Example: Configure an IPv6 RA guard policy with accept action

The following example configures an IPv6 RA guard policy with an advertised IPv6 prefix set and source IPv6 prefix set as match criteria, and accept as the action.

To be considered a match, all advertised prefixes in the RA message must match the IPv6 prefix set, and the source address of the RA message must match the source IPv6 address prefix set.

```
--{ * candidate shared default }--[ ]--
# info system ra-guard-policy
  system {
    ra-guard-policy ragl {
      action accept
      advertise-prefix-set 2001:db8:0:b::/64
      source-prefix-set 2001:1::192:168:11:1/126
    }
  }
}
```

Example: Configure an IPv6 RA guard policy with discard action

The following example configures an IPv6 RA guard policy with no match criteria and action of discard. This policy blocks all RA messages on subinterfaces where it is applied.

```
--{ * candidate shared default }--[ ]--
# info system ra-guard-policy
  system {
    ra-guard-policy "Discard all" {
      action discard
    }
  }
}
```

22.2 Applying IPv6 RA guard policies to subinterfaces

Procedure

To activate IPv6 RA guard, apply an IPv6 RA guard policy to a subinterface.

Example: Apply an IPv6 RA guard policy to a subinterface

The following example applies an IPv6 RA guard policy to a subinterface. This policy (configured in the previous example) causes all IPv6 RA messages received on the subinterface to be discarded.

```
--{ * candidate shared default }--[ ]--
# info interface ethernet-1/4 subinterface 2 ra-guard
  interface ethernet-1/4 {
    subinterface 2 {
      ra-guard {
        policy "Discard all"
      }
    }
  }
}
```

```

    }
  }
}

```

If the subinterface has VLANs configured, you can specify a list of VLANs to which the IPv6 RA guard policy applies. If a VLAN list is specified, the IPv6 RA guard policy applies only to those VLANs, not to any others configured on the subinterface. If VLAN list is not specified, the policy applies to all VLANs on the subinterface.

Example: Specify a VLAN list with the IPv6 RA guard policy

On a default bridged subinterface, where the `vlan encap single-tagged vlan-id optional` setting is configured, a VLAN list must be specified with the IPv6 RA guard policy. For example:

```

--{ * candidate shared default }--[ ]--
# info interface ethernet-1/4 subinterface 2
  interface ethernet-1/4 {
    subinterface 2 {
      admin-state enable
      type bridged
      vlan {
        encap {
          single-tagged {
            vlan-id optional
          }
        }
      }
      ra-guard {
        policy rag1
        vlan-list 10 {
        }
      }
    }
  }
}

```

23 Interface port speed configuration

By default, ports on SR Linux devices operate at the speeds listed in [Table 9: Default and supported port speeds for SR Linux devices](#). You can optionally configure ports to operate a different speed as long as that speed is supported for the port. On all devices, the Mgmt ports operate at 1G.

On 7220 IXR-D1 systems, it is possible to configure auto-negotiation for the port. See [Configuring link auto-negotiation \(7220 IXR-D1 only\)](#).

On 7220 IXR-Dx, 7220 IXR-Hx, 7250 IXR-6/7250 IXR-6e, 7250 IXR-10/7250 IXR-10e, and 7250 IXR-X1b/7250 IXR-X3b platforms, when the SR Linux device is started, and a transceiver is detected, the port speed is set based on the port-speed or breakout-mode configuration if any exists. Otherwise, the port speed is automatically set to the speed of the transceiver; for example, if a QSFP28 transceiver is installed in a 400G cage, the system sets 100G speed for the port.

Table 9: Default and supported port speeds for SR Linux devices

SR Linux device	Port range	Default port speed	Supported port speeds
7250 IXR-6/ 7250 IXR-10	Ports 1-8, 13-32	100G	40G, 100G
	Ports 9-12	100G	100G
	Ports 33-36	100G	40G, 100G, 400G
7215 IXS-A1	Ports 1-48	1G	10M, 100M, 1G
	Ports 49-52	10G	1G, 10G
7220 IXR-D1	Ports 1-48	1G	10M, 100M, 1G
	Ports 49-52	10G	10G
7220 IXR-D2	Ports 1-48	25G	1G, 10G, 25G Note: If one port in each consecutive group of 4 ports (1-4, 5-8, .. , 45-48) is enabled and has a configured speed of 25G, then the other 3 ports may only be enabled if they also have a configured speed of 25G or no speed configured; if one port in each consecutive group of 4 ports is enabled and has a configured speed of 1G or 10G, the other 3 ports may only be enabled if they also have a configured speed of 1G or 10G or no speed configured.
	Ports 49-56	100G	10G, 25G, 40G, 100G
7220 IXR-D2L	Ports 1-48	25G	1G, 10G, 25G

SR Linux device	Port range	Default port speed	Supported port speeds
			Note: If one port in each port group of 4 ports ({1, 2, 3, 6}, {4, 5, 7, 9}, {8, 10, 11, 12}, {13, 14, 15, 18}, {16, 17, 19, 21}, {20, 22, 23, 24}, {25, 26, 27, 30}, {28, 29, 31, 33}, {32, 34, 35, 36}, {37, 38, 39, 42}, {40, 41, 43, 45}, {44, 46, 47, 48}) is enabled and has a configured speed of 25G, the other 3 ports may only be enabled if they also have a configured speed of 25G or no speed configured; if one port in each port group of 4 ports is enabled and has a configured speed of 1G or 10G, the other 3 ports may only be enabled if they also have a configured speed of 1G or 10G or no speed configured.
	Ports 49-56	100G	10G, 25G, 40G, 100G
	Ports 57-58	10G	10G
7220 IXR-D3	Ports 1-2	10G	10G
	Ports 3-34	100G	10G, 25G, 40G, 50G, 100G
7220 IXR-D3L	Ports 1-32	100G	10G, 25G, 40G, 50G, 100G
	Ports 33-34	10G	10G
7220 IXR-D4	Ports 1-8	100G	40G, 100G
	Ports 9-28	100G	10G, 25G, 40G, 100G
	Ports 29-36	400G	10G, 25G, 40G, 100G, 400G
7220 IXR-D5	Ports 1-32	400G	40G, 100G, 200G, 400G
	Ports 33-38	10G	10G
7220 IXR-H2	Ports 1-128	100G	100G
7220 IXR-H3	Ports 1-2	10G	10G
	Ports 3-34	400G	40G, 100G, 200G, 400G
7220 IXR-H4	Ports 1-64	400G	40G, 100G, 200G, 400G
	Ports 65-66	10G	10G
7220 IXR-H4-32D	Ports 1-32	400G	40G, 100G, 200G, 400G
	Port 33	10G	10G

SR Linux device	Port range	Default port speed	Supported port speeds
7250 IXR-6e/ 7250 IXR-10e 60p QSFP28 IMM	All ports	100G	100G
7250 IXR-6e/ 7250 IXR-10e 36p QSFPDD-400 IMM	All ports	400G	40G, 100G, 400G
7250 IXR-X1b QSFP28	Ports 1-24	100G	40G, 100G Note: See Port group restriction for 7250 IXR-X1b for port group restrictions related to breakout ports.
7250 IXR-X1b QSFPDD	Ports 25-36	400G	40G, 100G, 400G
7250 IXR-X3b QSFPDD	All ports	400G	40G, 50G, 100G, 400G
7730 SXR-1d-32D QSFP28	Ports 1-16, 21-32	100G	40G, 100G Note: See Port group restriction for 7730 SXR-1d-32D QSFP28 for port group restrictions related to breakout ports.
7730 SXR-1d-32D QSFPDD	Ports 17-20	400G	40G, 100G, 400G
7730 SXR-1x-44S SFPDD	Ports 1-20, 23-42	100G	10G, 25G, 100G
7730 SXR-1x-44S QSFPDD	Ports 21, 22, 43, 44	400G	40G, 100G, 400G

23.1 Configuring interface port speed

Procedure

You can configure the port speed for an interface.

Example

```
--{ * candidate shared default }--[ ]--
# info interface ethernet-1/1 ethernet
interface ethernet-1/1 {
    ethernet {
        port-speed 100G
    }
}
```

23.2 Configuring link auto-negotiation (7220 IXR-D1 only)

Procedure

For ports 1-48 on 7220 IXR-D1 systems, you can configure the interface to use auto-negotiation for the speed, duplex, and flow-control settings. [Table 10: Port speed negotiation for RJ45 ports \(7220 IXR-D1 systems\)](#) lists how the auto-negotiation setting inter-operates with the port-speed configured for the interface.

Table 10: Port speed negotiation for RJ45 ports (7220 IXR-D1 systems)

auto-negotiate parameter setting	Port speed parameter configured?	Port speed behavior
false	No	Bring up the port at the default speed of 1G.
false	Yes	Bring up the port at the configured speed of 10M, 100M or 1G if the other side is configured for the same speed; otherwise, the port state is oper-down.
true (default)	No	All speeds are advertised as supported, and the actual speed is the highest common value between the two sides.
true (default)	Yes	The configured port speed is the only speed advertised. If the port at the other side of the link advertises this speed as well, the link comes up; otherwise it stays down.

Example

The following example configures auto-negotiation and port speed for a port on a 7220 IXR-D1 system. In this example, a port speed is configured, and the auto-negotiation setting is enabled. SR Linux advertises the configured port speed to the other end of the link. If the other port also advertises this speed, then the link is established; otherwise, the port state is oper-down.

```
--{ * candidate shared default }--[ ]--
# info interface ethernet-1/1 ethernet
  interface ethernet-1/1 {
    ethernet {
      auto-negotiate true
      port-speed 100M
    }
  }
}
```

24 Interface hold timers

You can configure hold timers that keep an interface operationally enabled or disabled for a specified amount of time following an event that brings the interface up or shuts the interface down.

For example, you can configure a hold timer that keeps an interface operationally disabled for a period of time following a system reboot, and you can configure a hold timer that keeps an interface operationally enabled for a period of time after the interface goes down.

The main use for hold timers is to reduce the number of link transitions and advertise/withdraw messages in networks where there are flapping optics.

You can configure a **hold-time up** timer and a **hold-time down** timer for an interface:

- **hold-time up** timer

This timer specifies the amount of time an interface is kept operationally disabled following an event that normally enables it, such as entering the **interface admin-state enable** command or a system reboot.

The interface remains disabled from the time the event occurs until the **hold-time up** timer expires. While the **hold-time up** timer is running, the transceiver is enabled but the system does not consider the interface operationally up until the timer expires.

- **hold-time down** timer

This timer specifies the amount of time an interface remains operationally enabled following an event that brings the interface down. When triggered, the **hold-time down** timer keeps the interface operationally enabled until the timer expires. Entering the **interface admin-state disable** command does not trigger the **hold-time down** timer, nor does internal events such as fabric unavailability.

If you manually disable the interface while the **hold-time down** timer is running, the interface is disabled immediately, and the timer is aborted.

The hold timers can be set to a value from 100 to 86 400 000 ms in a multiple of 50 ms. The default value is 0, which indicates that no hold time is considered when an interface changes state.

The hold timers are available for Ethernet interfaces only, including those that are part of a LAG. You cannot configure a hold timer for an interface in breakout mode.

The hold timer does not affect the port LED color, which reflects the physical status of the port; that is, the port LED is green when the **hold-time up** timer is running, and solid amber when the **hold-time down** timer is running.

24.1 Configuring interface hold timers

Procedure

To configure hold timers for an interface, specify a time value from 100 to 86 400 000 ms in a multiple of 50 ms for the **hold-time up** and/or **hold-time down** timers.

Example: Configure hold-time up and hold-time down timers for an interface

In the following example, when the interface is enabled, it remains operationally disabled for 200 000 ms, until the **hold-time up** timer expires. When the interface becomes disabled, it remains operationally enabled for 100 000 ms, until the **hold-time down** timer expires.

```
--{ candidate shared default }--[ ]--
# info interface ethernet-1/1 ethernet
  interface ethernet-1/1 {
    ethernet {
      hold-time {
        up 200000
        down 100000
      }
    }
  }
}
```

Example: Display the amount of time remaining for the hold timer

When a hold timer is in effect, you can use the **info from state** command to display the amount of time remaining. For example:

```
--{ running }--[ ]--
# info from state interface ethernet-1/1 ethernet hold-time
  interface ethernet-1/1 {
    ethernet {
      hold-time {
        up 200000
        down 100000
        up-expires "2024-01-12T23:57:28.647Z (85 seconds from now)"
      }
    }
  }
}
```

In addition, when the **hold-time up** timer is in effect, the port-oper-down-reason for the interface is shown as interface-hold-time-up-active.

25 Reload-delay timer

After the system boots, the reload-delay timer keeps an interface shut down with the laser off for a configured amount of time until connectivity with the rest of network is established. When applied to an access multi-homed interface (typically an Ethernet Segment interface), this delay can prevent black-holing traffic coming from the multi-homed server or CE.

When a reload-delay timer is configured, the interface port is shut down and the laser is turned off from the time that the system determines the interface state following a reboot or reload of the XDP process, until the number of seconds specified in the reload-delay timer elapse.

The reload-delay timer is only supported on Ethernet interfaces that are not enabled with breakout mode. For a multi-homed LAG interface, the reload-delay timer should be configured on all the interface members. The reload-delay timer can be from 1-86,400 seconds. There is no default value; if not configured for an interface, there is no reload-delay timer.

Only ES interfaces should be configured with a non-zero reload-delay timer. Single-homed interfaces and network interfaces (used to forward VXLAN traffic) should not have a reload-delay timer configured.

The following example sets the reload-delay timer for an interface to 20 seconds. The timer starts following a system reboot or when the IMM is reconnected, and the system determines the interface state. During the timer period, the interface is deactivated and the port laser is inactive.

```
--{ * candidate shared default }--[ ]--
# info interface ethernet-1/1
  interface ethernet-1/1 {
    admin-state enable
    ethernet {
      reload-delay 20
    }
  }
}
```

When the reload-delay timer is running, the port-oper-down-reason for the port is shown as interface-reload-timer-active. The reload-delay-expires state indicates the amount of time remaining until the port becomes active. For example:

```
--{ running }--[ ]--
# info from state interface ethernet-1/1
  interface ethernet-1/1 {
    description eth_seg_1
    admin-state enable
    mtu 9232
    loopback-mode false
    ifindex 671742
    oper-state down
    oper-down-reason interface-reload-time-active
    last-change "51 seconds ago"
    linecard 1
    forwarding-complex 0
    vlan-tagging true
    ...
    ethernet {
      auto-negotiate false
      lACP-port-priority 32768
      port-speed 100G
    }
  }
}
```

```

hw-mac-address 00:01:01:FF:00:15
reload-delay 20
reload-delay-expires "18 seconds from now"
flow-control {
    receive false
    transmit false
}
}
}

```

25.1 Configuring the reload-delay timer for an interface

Procedure

To configure the reload-delay timer for an interface, you specify a timer value from 1-86,400 seconds. The timer starts following a system reboot or when the IMM is reconnected, and the system determines the interface state. During the timer period, the interface is deactivated and the port laser is inactive. You can display information about an active reload-delay timer by entering the **info from state** command for the interface.

Example: Set the reload-delay timer for an interface

The following example sets the reload-delay timer for an interface to 20 seconds.

```

--{ * candidate shared default }--[ ]--
# info interface ethernet-1/1
interface ethernet-1/1 {
    ethernet {
        reload-delay 20
    }
}

```

Example: Display reload-delay information

When the reload-delay timer is running, the port-oper-down-reason for the port is shown as interface-reload-timer-active. The reload-delay-expires state indicates the amount of time remaining until the port becomes active. For example:

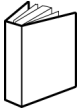
```

--{ running }--[ ]--
# info from state interface ethernet-1/1
interface ethernet-1/1 {
    description eth_seg_1
    admin-state enable
    mtu 9232
    loopback-mode false
    ifindex 671742
    oper-state down
    oper-down-reason interface-reload-time-active
    last-change "51 seconds ago"
    linecard 1
    forwarding-complex 0
    vlan-tagging true
    ...
    ethernet {
        auto-negotiate false
        lacp-port-priority 32768
        port-speed 100G
        hw-mac-address 00:01:01:FF:00:15
    }
}

```

```
reload-delay 20
reload-delay-expires "18 seconds from now"
flow-control {
    receive false
    transmit false
}
}
```


Customer document and product support



Customer documentation

[Customer documentation welcome page](#)



Technical support

[Product support portal](#)



Documentation feedback

[Customer documentation feedback](#)